



# Yamaha 30AMH 1985

## Parts Manual

[www.floodmarine.co.uk](http://www.floodmarine.co.uk)

+44 2882 246 539

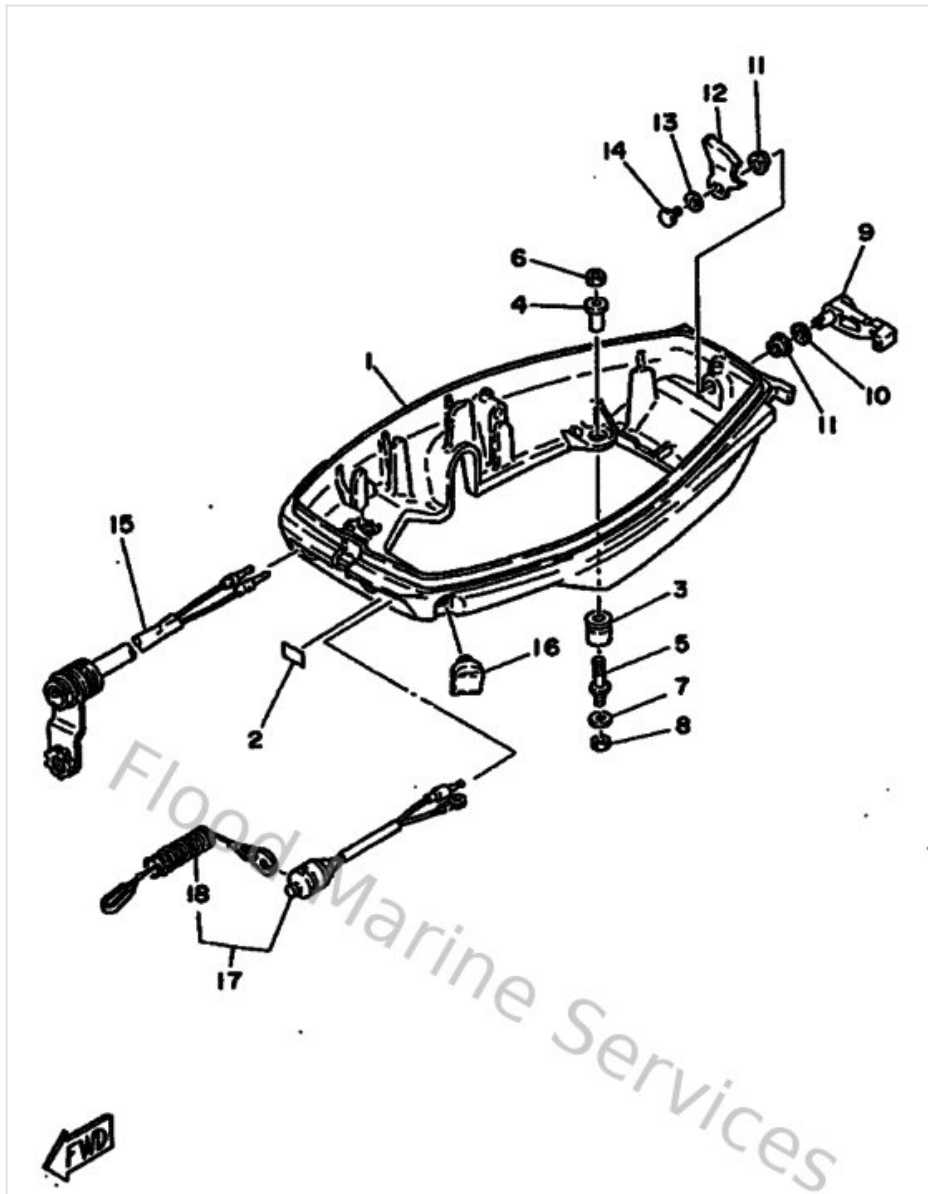
Authorised Yamaha Dealers



# Contents

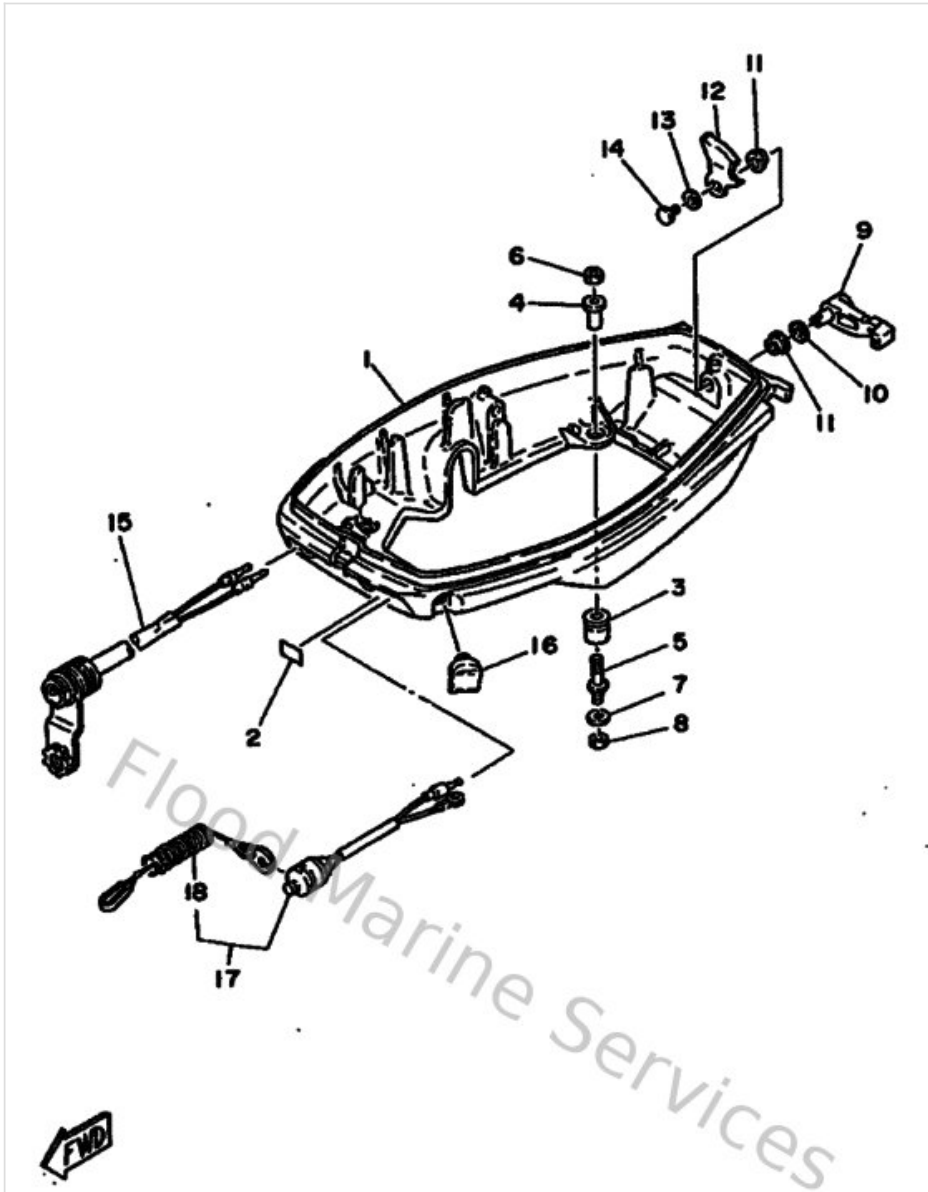
|  |    |
|--|----|
| <b>Bottom Cowling</b> .....              | 3  |
| <b>Bracket</b> .....                     | 5  |
| <b>Control</b> .....                     | 10 |
| <b>Crankshaft &amp; Piston</b> .....     | 13 |
| <b>Cylinder &amp; Crankcase</b> .....    | 15 |
| <b>Electric Motor</b> .....              | 17 |
| <b>Electric Parts</b> .....              | 19 |
| <b>Fuel</b> .....                        | 22 |
| <b>Intake</b> .....                      | 25 |
| <b>Lower Casing &amp; Drive 1</b> .....  | 29 |
| <b>Lower Casing &amp; Drive 2</b> .....  | 33 |
| <b>Magneto</b> .....                     | 35 |
| <b>Optional Parts 1</b> .....            | 37 |
| <b>Optional Parts 2</b> .....            | 39 |
| <b>Optional Parts 3</b> .....            | 41 |
| <b>Remote Control</b> .....              | 43 |
| <b>Remote Control Assy</b> .....         | 45 |
| <b>Repair Kit</b> .....                  | 48 |
| <b>Starter</b> .....                     | 52 |
| <b>Steering</b> .....                    | 55 |
| <b>Steering Guide Attachment 1</b> ..... | 57 |
| <b>Switch Panel</b> .....                | 59 |
| <b>Top Cowling</b> .....                 | 61 |
| <b>Upper Casing</b> .....                | 62 |

## Bottom Cowling



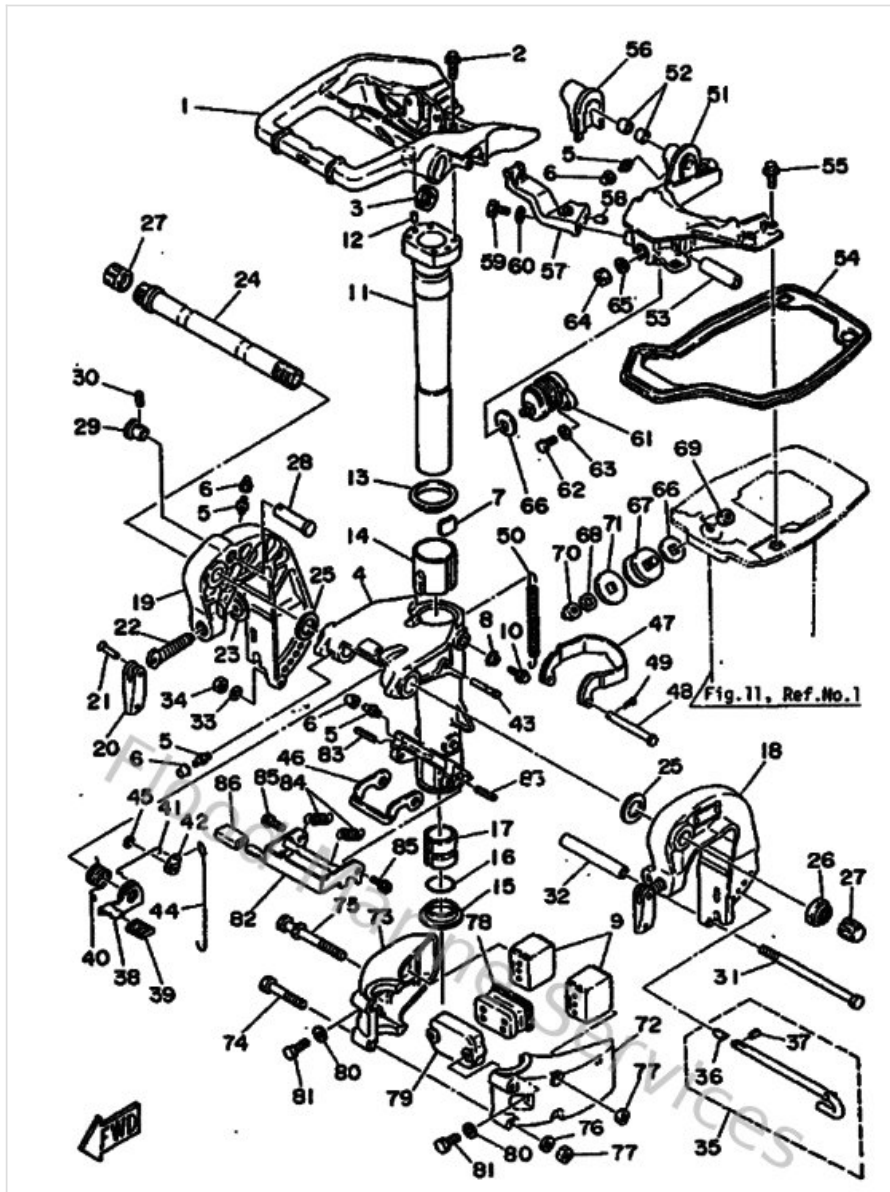
| Ref | Part  |                         |
|-----|---|-------------------------|
| 2   | <a href="#">6A1427920100</a><br>Mark (100:1)                | <a href="#">Buy now</a> |
| 3   | <a href="#">9048015M0600</a><br>Grommet (689)               | <a href="#">Buy now</a> |
| 4   | <a href="#">9038708M2500</a><br>Collar (689)                | <a href="#">Buy now</a> |
| 5   | <a href="#">689427420094</a><br>Bolt                        | <a href="#">Buy now</a> |
| 6   | <a href="#">953800870000</a><br>Nut(661)                    | <a href="#">Buy now</a> |
| 7   | <a href="#">929900860000</a><br>Washer, plain (663)         | <a href="#">Buy now</a> |
| 9   | <a href="#">689428150000</a><br>Lever, clamp 1              | <a href="#">Buy now</a> |
| 10  | <a href="#">902061205200</a><br>Washer, wave (666)          | <a href="#">Buy now</a> |
| 11  | <a href="#">903861206900</a><br>Bush(666)                   | <a href="#">Buy now</a> |
| 12  | <a href="#">689428160000</a><br>Lever, clamp 2              | <a href="#">Buy now</a> |
| 13  | <a href="#">902010606800</a><br>Washer,plate (6k8)          | <a href="#">Buy now</a> |
| 14  | <a href="#">973130601000</a><br>Bolt                        | <a href="#">Buy now</a> |
| 15  | <a href="#">682843810000</a><br>2p concent 1                | <a href="#">Buy now</a> |
| 16  | <a href="#">689427250000</a><br>Grommet                     | <a href="#">Buy now</a> |
| 17  | <a href="#">689825750200</a><br>Engine stop switch assembly | <a href="#">Buy now</a> |

# Bottom Cowling



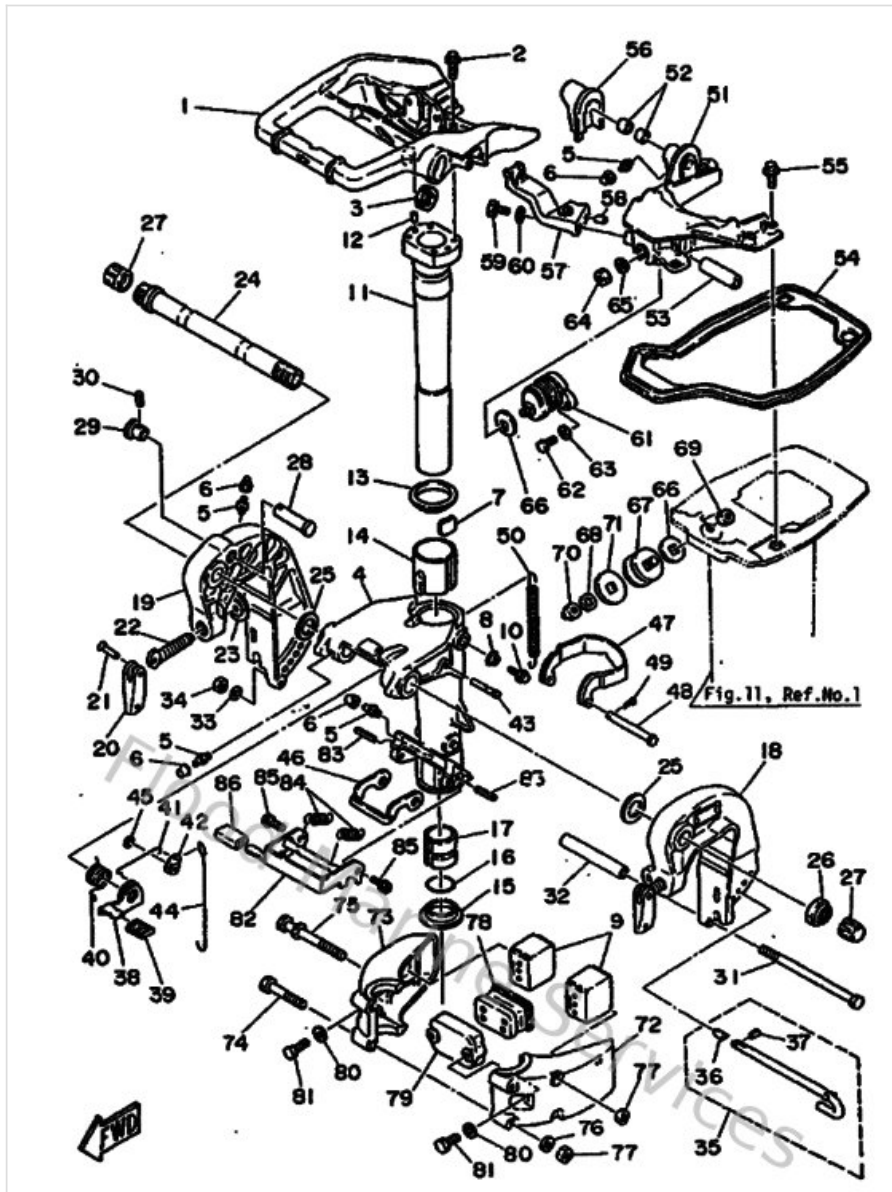
| Ref | Part   |                         |
|-----|--|-------------------------|
| 18  | <a href="#">682825560000</a><br>Lanyard, stop switch | <a href="#">Buy now</a> |

# Bracket



| Ref | Part   |                         |
|-----|--|-------------------------|
| 2   | <a href="#">9010506M0700</a><br>Bolt (689)               | <a href="#">Buy now</a> |
| 3   | <a href="#">904802904500</a><br>Grommet 648425510000     | <a href="#">Buy now</a> |
| 5   | <a href="#">937000600400</a><br>Nipple, grease(6a1)      | <a href="#">Buy now</a> |
| 6   | <a href="#">663451190000</a><br>Cap, grease nipple       | <a href="#">Buy now</a> |
| 7   | <a href="#">648425280000</a><br>Plate, friction          | <a href="#">Buy now</a> |
| 8   | <a href="#">689433730100</a><br>Seal, damper             | <a href="#">Buy now</a> |
| 9   | <a href="#">689445550000</a><br>Mount damper, lower side | <a href="#">Buy now</a> |
| 10  | <a href="#">9010506M1800</a><br>Bolt (689)               | <a href="#">Buy now</a> |
| 11  | <a href="#">689425210094</a><br>Shaft, steering pivot    | <a href="#">Buy now</a> |
| 12  | <a href="#">936081206300</a><br>Pin, dowel (626)         | <a href="#">Buy now</a> |
| 13  | <a href="#">902094701600</a><br>Washer 648425350000      | <a href="#">Buy now</a> |
| 14  | <a href="#">9038647M2200</a><br>Bushing (695)            | <a href="#">Buy now</a> |
| 15  | <a href="#">903863802200</a><br>Bush(648-42539-00)       | <a href="#">Buy now</a> |
| 16  | <a href="#">9321037M6700</a><br>O-ring (6g8)             | <a href="#">Buy now</a> |
| 17  | <a href="#">903863809000</a><br>Bushing (664)            | <a href="#">Buy now</a> |

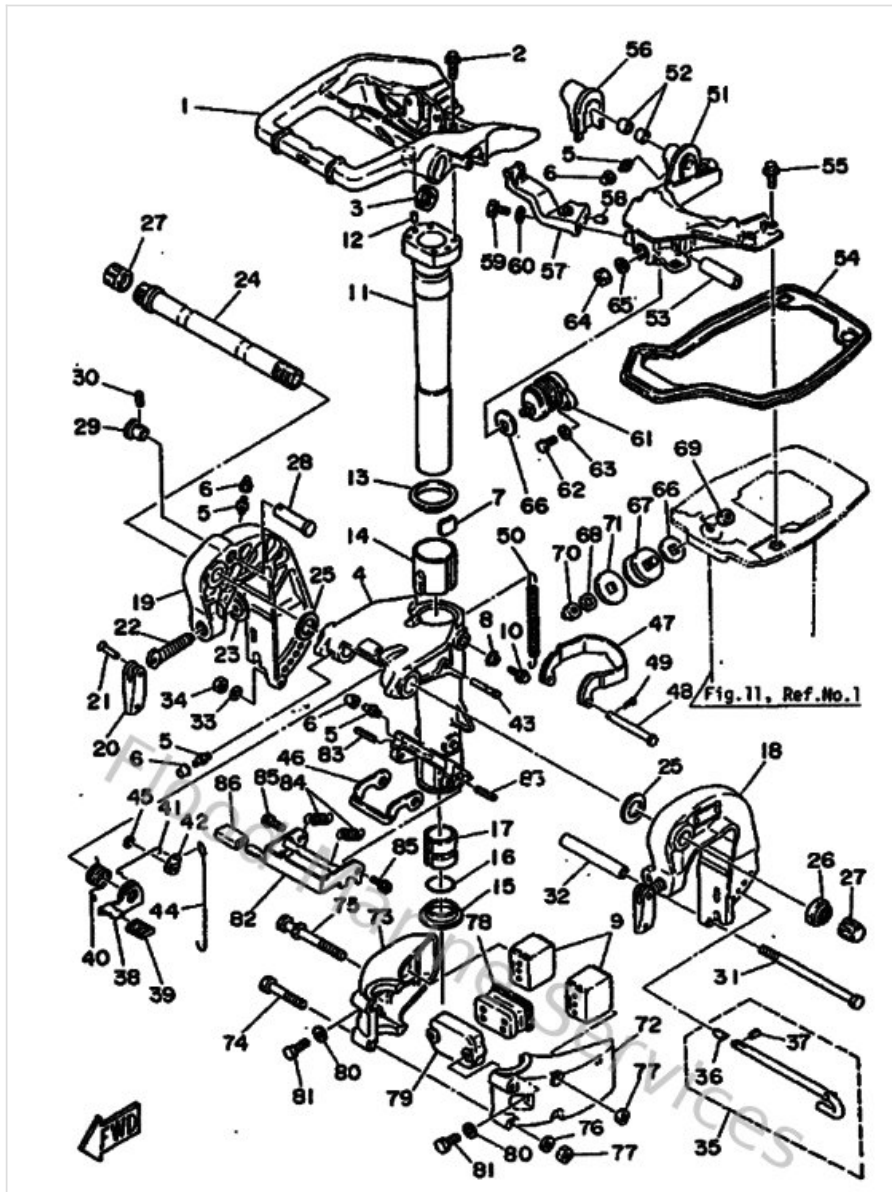
# Bracket



| Ref | Part  |                         |
|-----|---|-------------------------|
| 18  | <a href="#">6894311101EJ</a><br>Bracket, Clamp        | <a href="#">Buy now</a> |
| 19  | <a href="#">6894311201EJ</a><br>Bracket, Clamp        | <a href="#">Buy now</a> |
| 20  | <a href="#">6164311800EJ</a><br>Handle, transom clamp | <a href="#">Buy now</a> |
| 21  | <a href="#">9024304M0000</a><br>Pin(6a9)              | <a href="#">Buy now</a> |
| 22  | <a href="#">901491403000</a><br>Screw, transom clamp  | <a href="#">Buy now</a> |
| 23  | <a href="#">648431140100</a><br>Pad, transom clamp    | <a href="#">Buy now</a> |
| 24  | <a href="#">689431310000</a><br>Bolt, Clamp Bracket   | <a href="#">Buy now</a> |
| 25  | <a href="#">9020122M0300</a><br>Washer, plate(64j)    | <a href="#">Buy now</a> |
| 26  | <a href="#">901852204300</a><br>Nut, self-locking     | <a href="#">Buy now</a> |
| 27  | <a href="#">663431450000</a><br>Cap, clamp bracket    | <a href="#">Buy now</a> |
| 28  | <a href="#">689431910000</a><br>Shaft, stopper        | <a href="#">Buy now</a> |
| 29  | <a href="#">689431920100</a><br>Knob, stopper         | <a href="#">Buy now</a> |
| 30  | <a href="#">916903001600</a><br>Pin, spring           | <a href="#">Buy now</a> |
| 31  | <a href="#">901010833900</a><br>Bolt, hexagon (656)   | <a href="#">Buy now</a> |
| 32  | <a href="#">903870907400</a><br>Collar                | <a href="#">Buy now</a> |

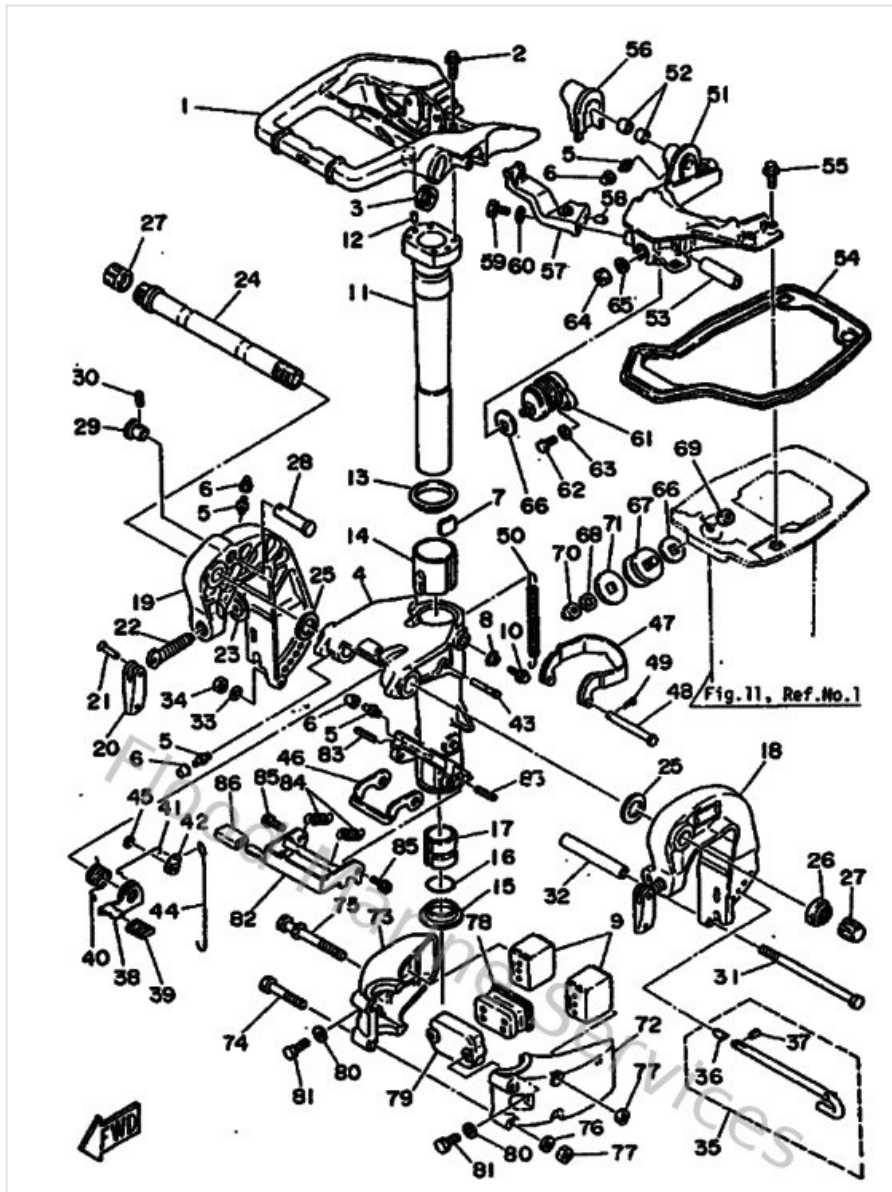


# Bracket



| Ref | Part  |                         |
|-----|---|-------------------------|
| 33  | <a href="#">929900860000</a><br>Washer, plain (663) | <a href="#">Buy now</a> |
| 34  | <a href="#">988800810000</a><br>Nut, hex.           | <a href="#">Buy now</a> |
| 35  | <a href="#">682431600100</a><br>Tilt rod assembly   | <a href="#">Buy now</a> |
| 36  | <a href="#">656431650100</a><br>Plate, tilt lock    | <a href="#">Buy now</a> |
| 37  | <a href="#">916903000800</a><br>Pin. spring(656)    | <a href="#">Buy now</a> |
| 38  | <a href="#">689436311000</a><br>Lever, tilt         | <a href="#">Buy now</a> |
| 39  | <a href="#">689436330000</a><br>Cover, tilt lever   | <a href="#">Buy now</a> |
| 40  | <a href="#">689436430000</a><br>Spring, torsion     | <a href="#">Buy now</a> |
| 41  | <a href="#">689436160000</a><br>Rod, tilt lock 1    | <a href="#">Buy now</a> |
| 42  | <a href="#">648436420000</a><br>Lever,tilt 2        | <a href="#">Buy now</a> |
| 43  | <a href="#">9024906M1000</a><br>Pin(6a9)            | <a href="#">Buy now</a> |
| 44  | <a href="#">648436170000</a><br>Rod, tilt lock 2    | <a href="#">Buy now</a> |
| 45  | <a href="#">934300502700</a><br>Circlip(22k)        | <a href="#">Buy now</a> |
| 46  | <a href="#">689436140000</a><br>Plate, tilt lock    | <a href="#">Buy now</a> |
| 47  | <a href="#">648436150000</a><br>Plate, tilt lock 2  | <a href="#">Buy now</a> |

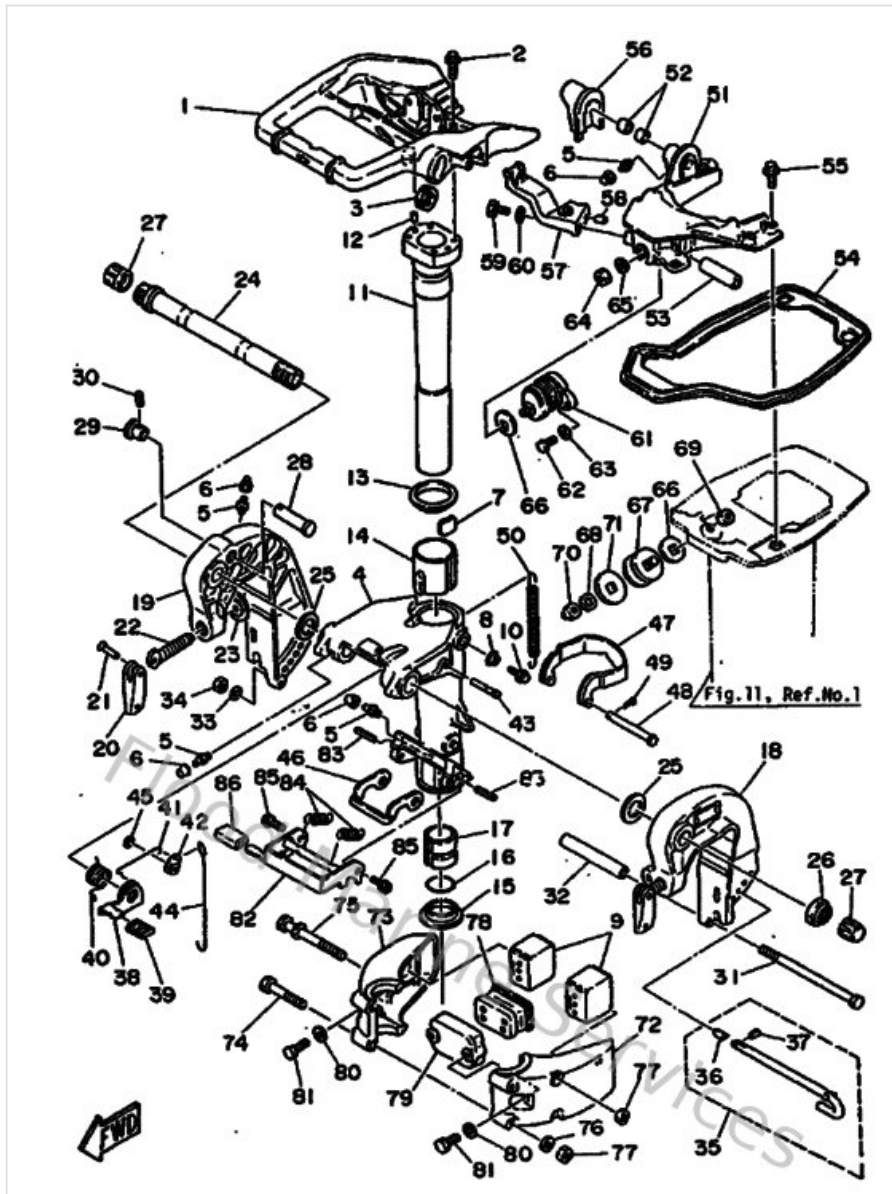
# Bracket



| Ref | Part  |                         |
|-----|---|-------------------------|
| 48  | <a href="#">902400504600</a><br>Pin With Hole (656)       | <a href="#">Buy now</a> |
| 49  | <a href="#">914901601000</a><br>Pin, cotter               | <a href="#">Buy now</a> |
| 50  | <a href="#">9050630M2700</a><br>Spring, tension(6a4)      | <a href="#">Buy now</a> |
| 51  | <a href="#">64844518019M</a><br>Bracket comp.             | <a href="#">Buy now</a> |
| 52  | <a href="#">903801201200</a><br>Bush Solid 648441220000   | <a href="#">Buy now</a> |
| 54  | <a href="#">689427160000</a><br>Rubber, Seal 1            | <a href="#">Buy now</a> |
| 55  | <a href="#">9010506M0800</a><br>Bolt (689)                | <a href="#">Buy now</a> |
| 56  | <a href="#">689427180000</a><br>Rubber, seal 3            | <a href="#">Buy now</a> |
| 57  | <a href="#">648445190094</a><br>Bracket                   | <a href="#">Buy now</a> |
| 58  | <a href="#">936061201900</a><br>Pin, dowel (614)          | <a href="#">Buy now</a> |
| 59  | <a href="#">973950601800</a><br>Bolt (fj0)                | <a href="#">Buy now</a> |
| 60  | <a href="#">929900660000</a><br>Washer, plain (646)       | <a href="#">Buy now</a> |
| 61  | <a href="#">689445160000</a><br>Mount damper, upper front | <a href="#">Buy now</a> |
| 62  | <a href="#">970800602000</a><br>Bolt(7u8)                 | <a href="#">Buy now</a> |
| 64  | <a href="#">928801020000</a><br>Nut(624)                  | <a href="#">Buy now</a> |

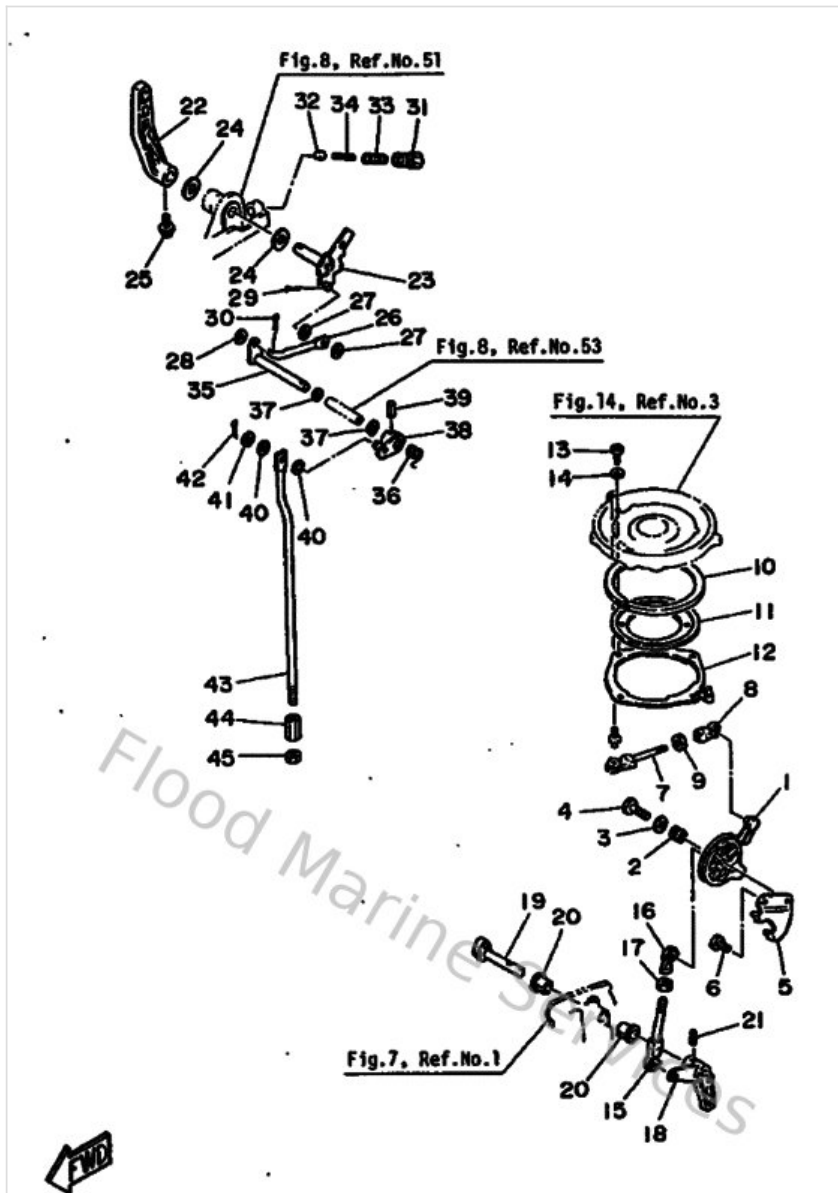


# Bracket



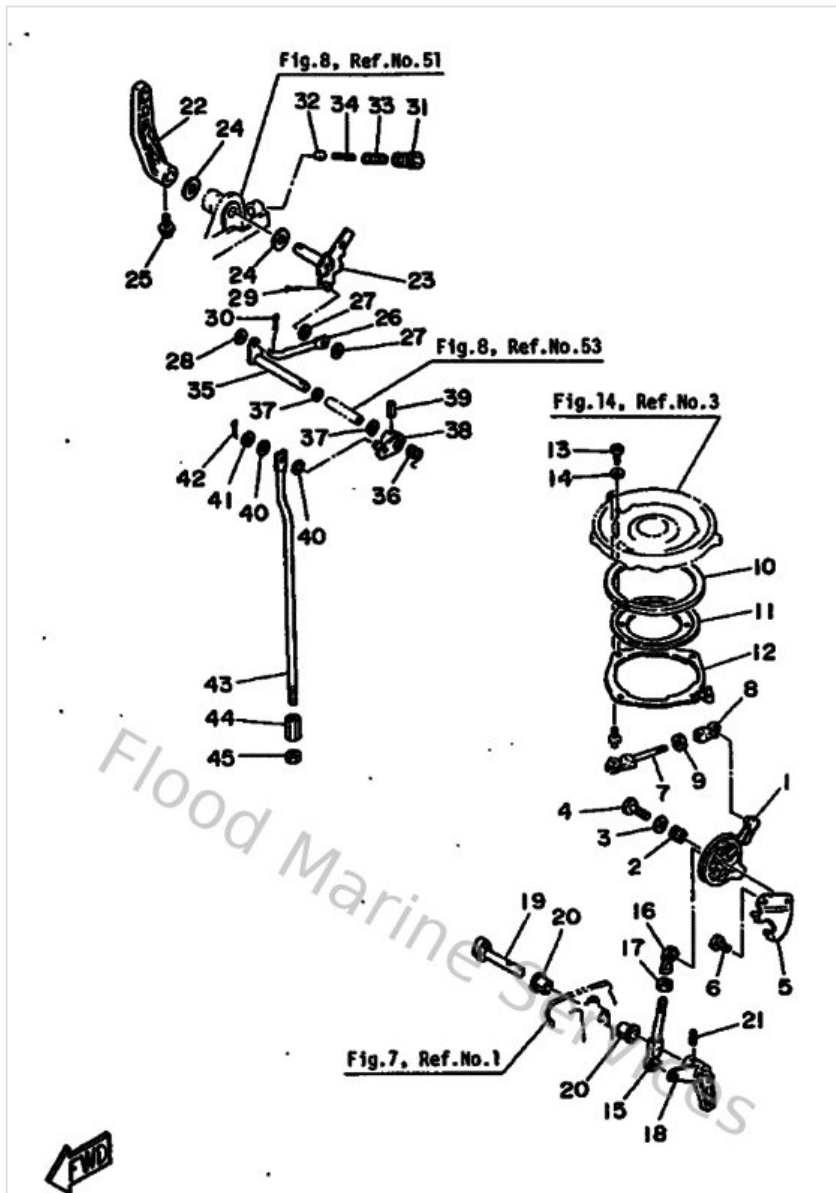
| Ref | Part   |                         |
|-----|--|-------------------------|
| 65  | <a href="#">929901020000</a><br>958-69527-00 washer, plain   | <a href="#">Buy now</a> |
| 66  | <a href="#">64844591A000</a><br>Gasket                       | <a href="#">Buy now</a> |
| 67  | <a href="#">664445140094</a><br>Mount damper, upper side     | <a href="#">Buy now</a> |
| 70  | <a href="#">953801080000</a><br>Nut, crown (650)             | <a href="#">Buy now</a> |
| 71  | <a href="#">664445910000</a><br>Gasket                       | <a href="#">Buy now</a> |
| 74  | <a href="#">973950806500</a><br>Bolt (gk02)                  | <a href="#">Buy now</a> |
| 75  | <a href="#">9011908M0300</a><br>Bolt (689)                   | <a href="#">Buy now</a> |
| 78  | <a href="#">689445570000</a><br>Mount damper, lower front    | <a href="#">Buy now</a> |
| 79  | <a href="#">689445530094</a><br>Cover, lower mount           | <a href="#">Buy now</a> |
| 81  | <a href="#">970950802500</a><br>Bolt (62g)                   | <a href="#">Buy now</a> |
| 82  | <a href="#">689436810000</a><br>Lever, shallow water drive 1 | <a href="#">Buy now</a> |
| 83  | <a href="#">916904003500</a><br>Pin, spring (689)            | <a href="#">Buy now</a> |
| 84  | <a href="#">9050616M1700</a><br>Spring, tension (689)        | <a href="#">Buy now</a> |
| 85  | <a href="#">9010906M1800</a><br>Bolt (689)                   | <a href="#">Buy now</a> |
| 86  | <a href="#">682433180100</a><br>Cover                        | <a href="#">Buy now</a> |

# Control



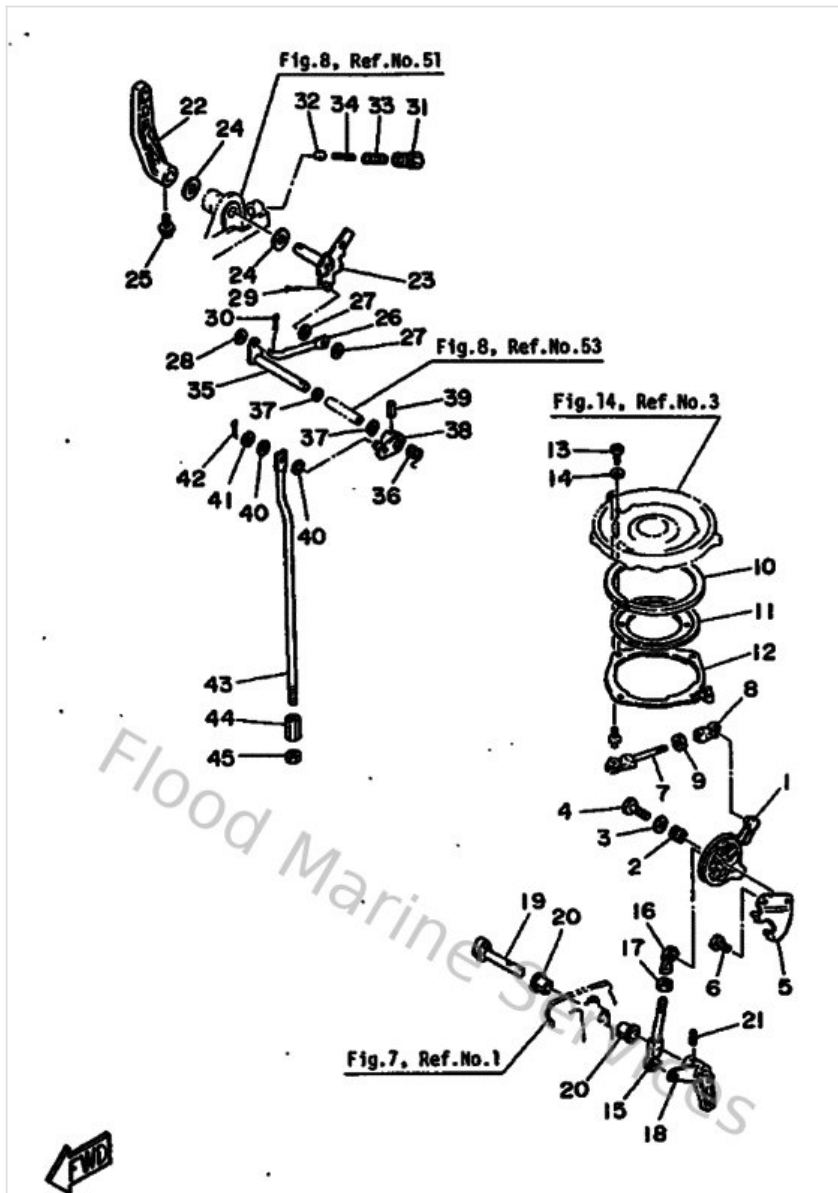
| Ref | Part   |                         |
|-----|--|-------------------------|
| 2   | <a href="#">9038706M0200</a><br>Collar (664)             | <a href="#">Buy now</a> |
| 4   | <a href="#">973130602500</a><br>Bolt                     | <a href="#">Buy now</a> |
| 5   | <a href="#">689144970000</a><br>Stay, throttle wire      | <a href="#">Buy now</a> |
| 6   | <a href="#">973130601200</a><br>Bolt(gh1)                | <a href="#">Buy now</a> |
| 7   | <a href="#">689416360100</a><br>Rod, Mag.controlcontrol  | <a href="#">Buy now</a> |
| 8   | <a href="#">662412370100</a><br>Joint, link              | <a href="#">Buy now</a> |
| 9   | <a href="#">953030560000</a><br>Nut, hexagon (663)       | <a href="#">Buy now</a> |
| 10  | <a href="#">676416110000</a><br>Retainer, magneto base 1 | <a href="#">Buy now</a> |
| 11  | <a href="#">689416120100</a><br>Retainer, magneto base   | <a href="#">Buy now</a> |
| 12  | <a href="#">676416130000</a><br>Plate, base friction     | <a href="#">Buy now</a> |
| 13  | <a href="#">978030501200</a><br>Screw,pan head (646)     | <a href="#">Buy now</a> |
| 14  | <a href="#">929030560000</a><br>Washer, plain (646)      | <a href="#">Buy now</a> |
| 15  | <a href="#">689421690100</a><br>Joint                    | <a href="#">Buy now</a> |
| 18  | <a href="#">689421548094</a><br>Lever, throttle control  | <a href="#">Buy now</a> |
| 19  | <a href="#">656421530094</a><br>Shaft, throttle control  | <a href="#">Buy now</a> |

# Control



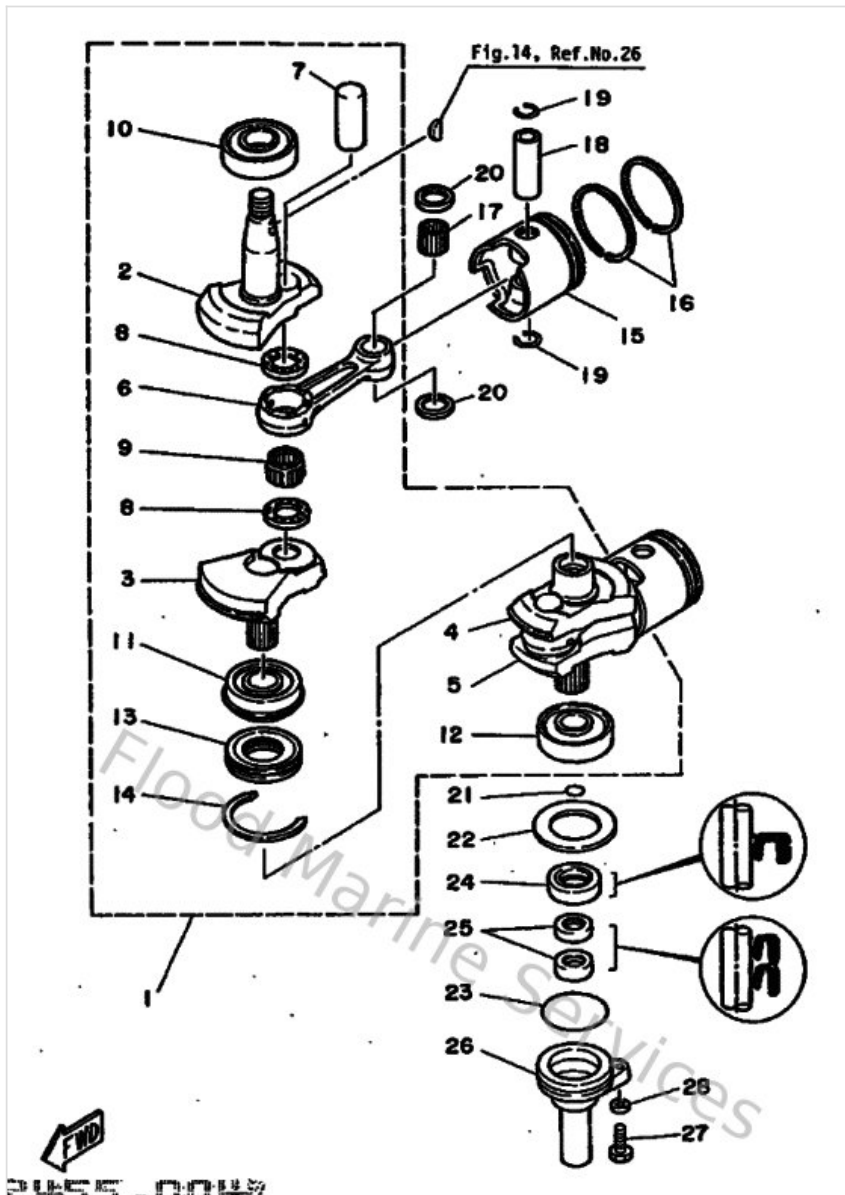
| Ref | Part  |                         |
|-----|---|-------------------------|
| 20  | <a href="#">903861000900</a><br>Bushing 6484418600        | <a href="#">Buy now</a> |
| 21  | <a href="#">916904001800</a><br>Pin spring(664)           | <a href="#">Buy now</a> |
| 22  | <a href="#">6894411100EJ</a><br>Handle, Gear Shift        | <a href="#">Buy now</a> |
| 23  | <a href="#">664441130100</a><br>Cam plate, handle         | <a href="#">Buy now</a> |
| 24  | <a href="#">902021203100</a><br>Washer, plate 6484412600  | <a href="#">Buy now</a> |
| 25  | <a href="#">9010506M0700</a><br>Bolt (689)                | <a href="#">Buy now</a> |
| 26  | <a href="#">664441420000</a><br>Joint                     | <a href="#">Buy now</a> |
| 27  | <a href="#">902020600700</a><br>Washer plate 626441880000 | <a href="#">Buy now</a> |
| 28  | <a href="#">929900560000</a><br>Washer, plain (646)       | <a href="#">Buy now</a> |
| 29  | <a href="#">914901201000</a><br>Pin, cotter (6g8)         | <a href="#">Buy now</a> |
| 30  | <a href="#">914901601000</a><br>Pin, cotter               | <a href="#">Buy now</a> |
| 31  | <a href="#">664427150000</a><br>Bushing 2                 | <a href="#">Buy now</a> |
| 32  | <a href="#">664441670100</a><br>Plunger, shift cam        | <a href="#">Buy now</a> |
| 33  | <a href="#">9050114M0700</a><br>Spring, compression (664) | <a href="#">Buy now</a> |
| 34  | <a href="#">9050109M0800</a><br>Spring, compression (664) | <a href="#">Buy now</a> |

# Control



| Ref | Part  |                         |
|-----|---|-------------------------|
| 35  | <a href="#">689441210100</a><br>Lever, shift rod 1        | <a href="#">Buy now</a> |
| 36  | <a href="#">9050814M1300</a><br>Spring (689)              | <a href="#">Buy now</a> |
| 37  | <a href="#">902021002400</a><br>Washer plate 648441880000 | <a href="#">Buy now</a> |
| 38  | <a href="#">689441250000</a><br>Lever, shift rod 2        | <a href="#">Buy now</a> |
| 39  | <a href="#">916904001600</a><br>Pin, spring (648)         | <a href="#">Buy now</a> |
| 42  | <a href="#">914902001000</a><br>Pin, cotter               | <a href="#">Buy now</a> |
| 43  | <a href="#">664441430000</a><br>Rod, shift 1              | <a href="#">Buy now</a> |
| 44  | <a href="#">648441460000</a><br>Connector, shift rod 2    | <a href="#">Buy now</a> |
| 45  | <a href="#">901700702100</a><br>Nut hexagon 648441280000  | <a href="#">Buy now</a> |

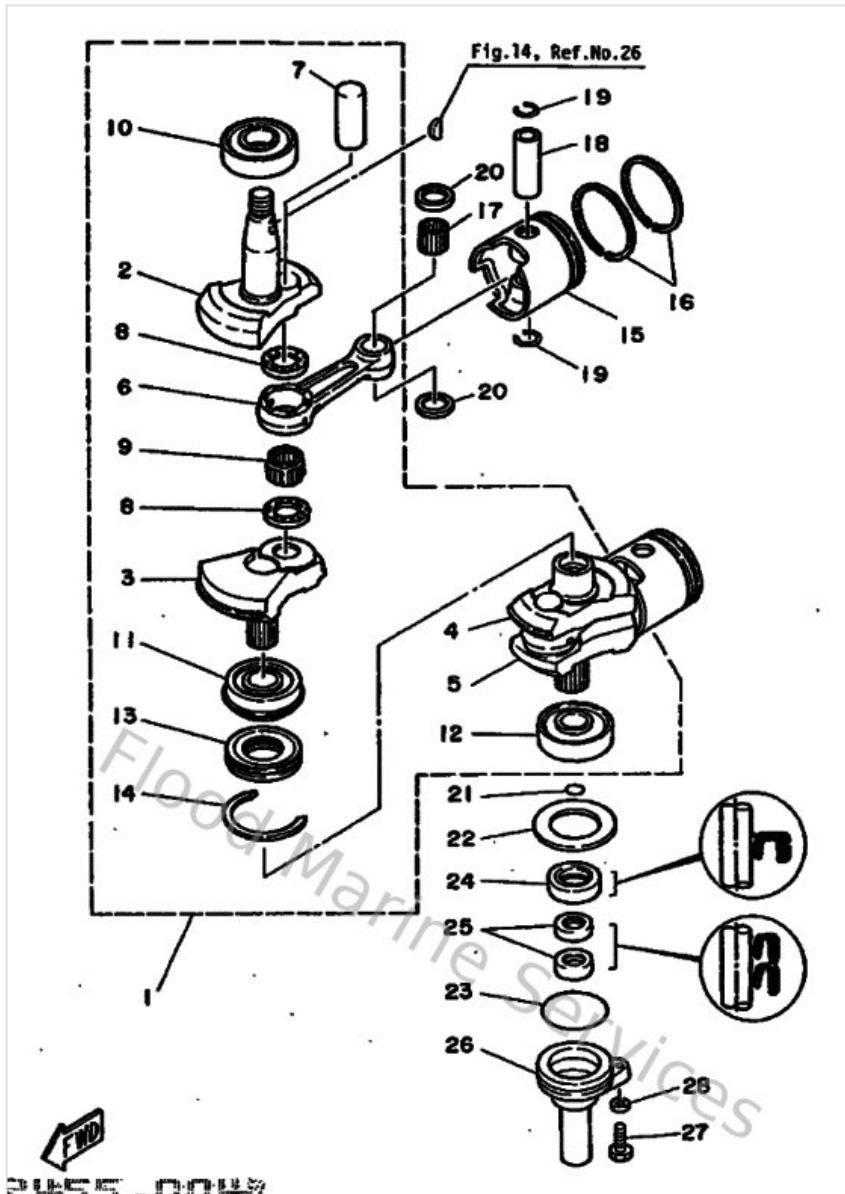
# Crankshaft & Piston



| Ref | Part   |                         |
|-----|--|-------------------------|
| 2   | <a href="#">689114120300</a><br>Crank 1                      | <a href="#">Buy now</a> |
| 3   | <a href="#">689114220200</a><br>Crank 2                      | <a href="#">Buy now</a> |
| 4   | <a href="#">689114320200</a><br>Crank 3                      | <a href="#">Buy now</a> |
| 5   | <a href="#">689114420200</a><br>Crank 4                      | <a href="#">Buy now</a> |
| 6   | <a href="#">689116510000</a><br>Rod, connecting              | <a href="#">Buy now</a> |
| 7   | <a href="#">689116810100</a><br>Pin, crank                   | <a href="#">Buy now</a> |
| 8   | <a href="#">9020924M0300</a><br>Washer, plate (689)          | <a href="#">Buy now</a> |
| 9   | <a href="#">93310624U500</a><br>Brg,cyl-cal roller 37g (689) | <a href="#">Buy now</a> |
| 10  | <a href="#">93306306U100</a><br>Brg R-B 6306 72Mm (6A8)      | <a href="#">Buy now</a> |
| 11  | <a href="#">933900000900</a><br>Brg,cyl-cal roller 260g nt   | <a href="#">Buy now</a> |
| 12  | <a href="#">933063051000</a><br>Bearing                      | <a href="#">Buy now</a> |
| 14  | <a href="#">934406205700</a><br>Cir clip (656)               | <a href="#">Buy now</a> |
| 15  | <a href="#">689116310095</a><br>Piston Std                   | <a href="#">Buy now</a> |
| 16  | <a href="#">689116102100</a><br>Piston Ring Set Os (2Nd O/s) | <a href="#">Buy now</a> |
| 17  | <a href="#">9360220M0200</a><br>Pin, dowel b (664)           | <a href="#">Buy now</a> |

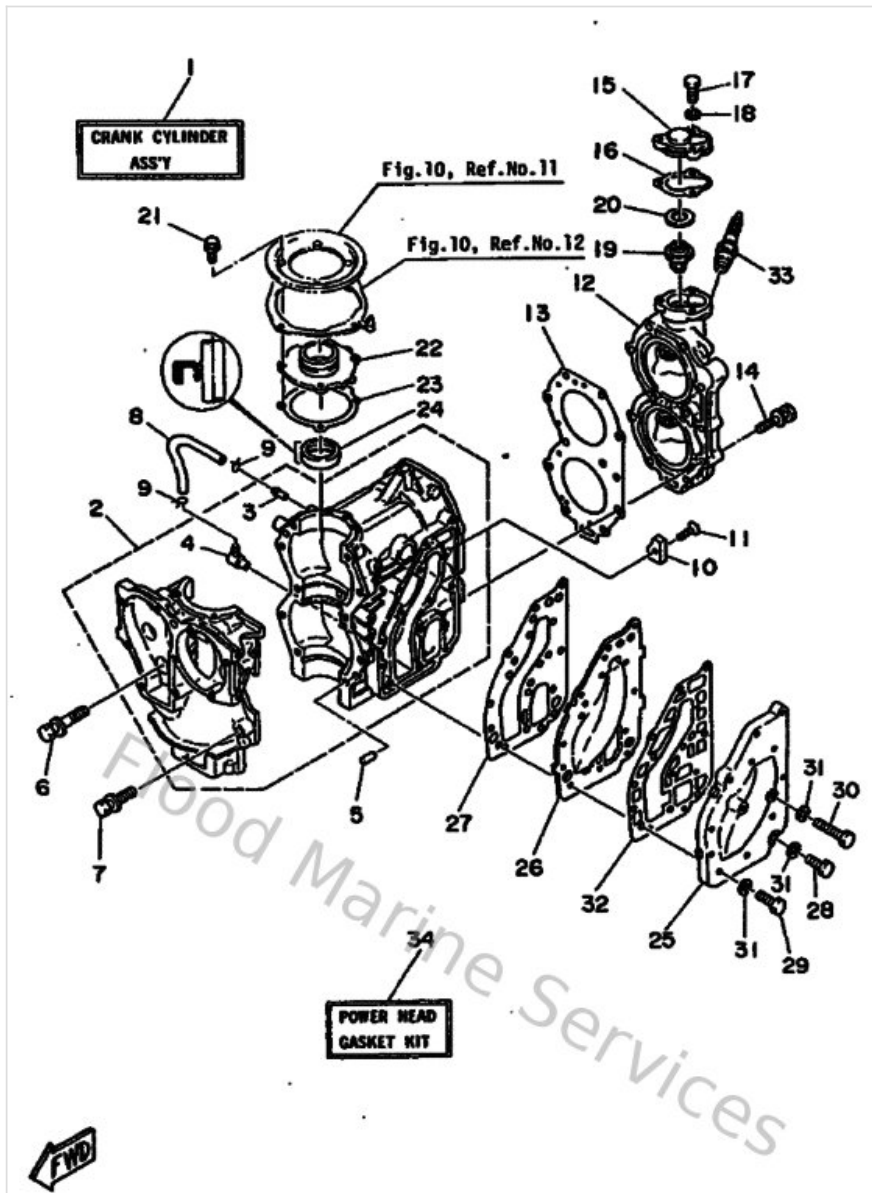


# Crankshaft & Piston



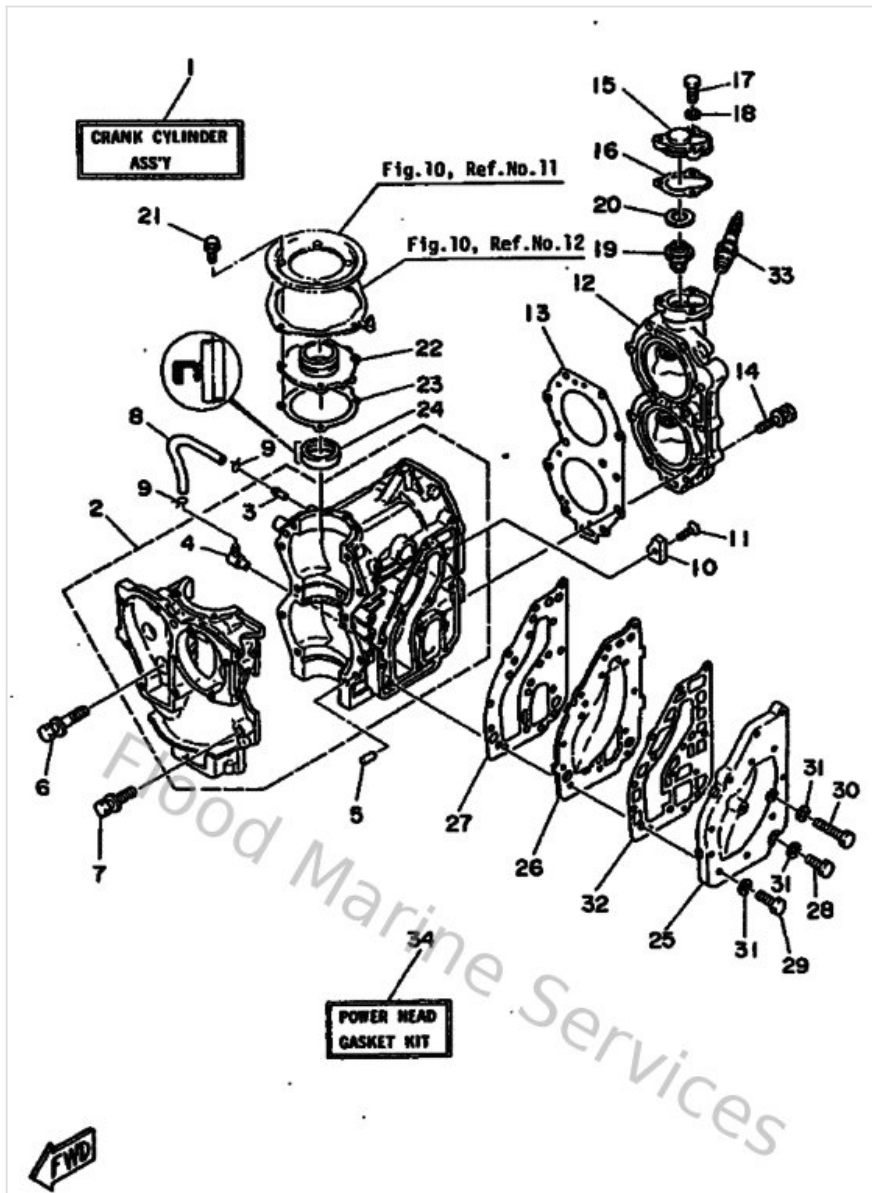
| Ref | Part  |                         |
|-----|---|-------------------------|
| 18  | <a href="#">689116330000</a><br>Pin, piston               | <a href="#">Buy now</a> |
| 19  | <a href="#">663116340000</a><br>Clip, piston pin          | <a href="#">Buy now</a> |
| 20  | <a href="#">9020120M2700</a><br>Washer, plate (689)       | <a href="#">Buy now</a> |
| 21  | <a href="#">932101627500</a><br>O-ring                    | <a href="#">Buy now</a> |
| 22  | <a href="#">902015030600</a><br>Washer plate 648115870000 | <a href="#">Buy now</a> |
| 23  | <a href="#">9321058M2100</a><br>O-ring (683)              | <a href="#">Buy now</a> |
| 24  | <a href="#">9310225M2800</a><br>Oil seal(6h4)             | <a href="#">Buy now</a> |
| 25  | <a href="#">9310416M0100</a><br>Oil seal(6a8)             | <a href="#">Buy now</a> |
| 26  | <a href="#">689153960094</a><br>Housing, oil seal         | <a href="#">Buy now</a> |
| 27  | <a href="#">973950602200</a><br>Bolt(61k)                 | <a href="#">Buy now</a> |
| 28  | <a href="#">929900660000</a><br>Washer, plain (646)       | <a href="#">Buy now</a> |

# Cylinder & Crankcase



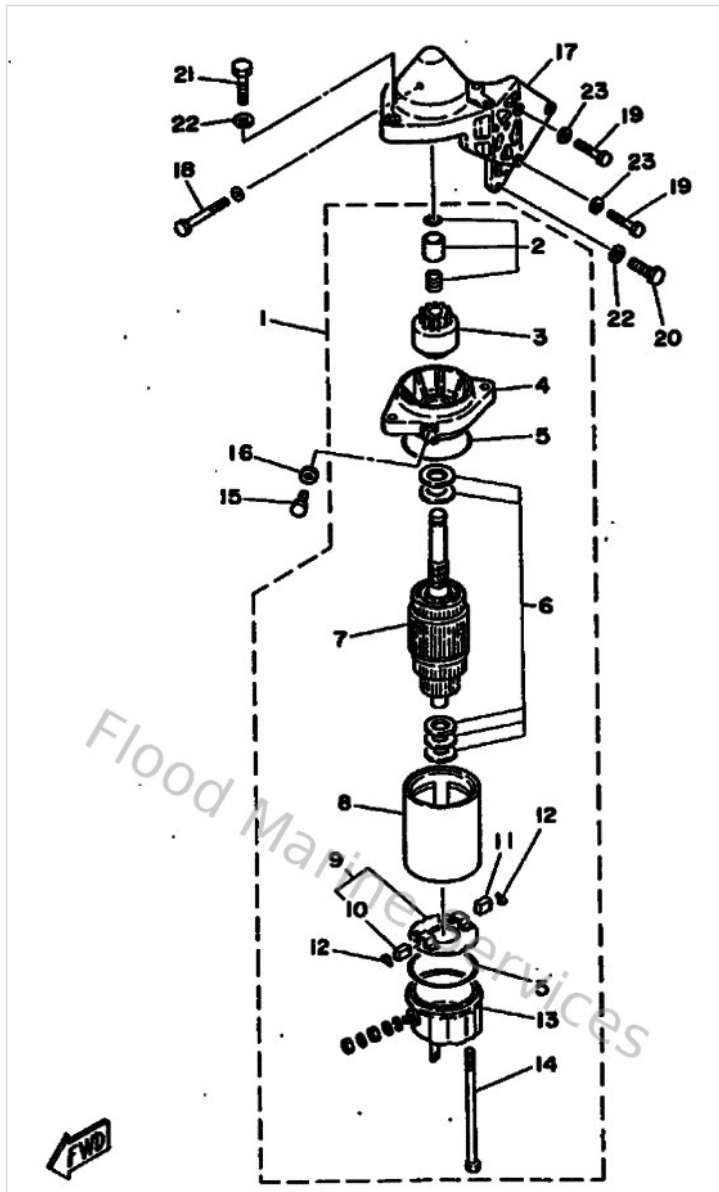
| Ref | Part  |                         |
|-----|---|-------------------------|
| 3   | <a href="#">624144850000</a><br>Pipe, joint             | <a href="#">Buy now</a> |
| 4   | <a href="#">650113700000</a><br>Check valve assembly    | <a href="#">Buy now</a> |
| 5   | <a href="#">936061201900</a><br>Pin, dowel (614)        | <a href="#">Buy now</a> |
| 6   | <a href="#">9011908M1800</a><br>Bolt, with washer       | <a href="#">Buy now</a> |
| 7   | <a href="#">9011908M6600</a><br>Bolt, with washer       | <a href="#">Buy now</a> |
| 8   | <a href="#">9044507M2400</a><br>Hose (I390)             | <a href="#">Buy now</a> |
| 9   | <a href="#">904670601600</a><br>Clip (655)              | <a href="#">Buy now</a> |
| 10  | <a href="#">689113250000</a><br>Anode                   | <a href="#">Buy now</a> |
| 11  | <a href="#">927800602000</a><br>Screw flat head         | <a href="#">Buy now</a> |
| 12  | <a href="#">689111110115</a><br>Head, Cylinder          | <a href="#">Buy now</a> |
| 13  | <a href="#">689111810100</a><br>Gasket, cylinder head 1 | <a href="#">Buy now</a> |
| 15  | <a href="#">655124130194</a><br>Cover, thermostat       | <a href="#">Buy now</a> |
| 16  | <a href="#">65512414A100</a><br>Gasket, cover           | <a href="#">Buy now</a> |
| 17  | <a href="#">973130602000</a><br>Bolt(7u8)               | <a href="#">Buy now</a> |
| 18  | <a href="#">929030660000</a><br>Washer, plain (646)     | <a href="#">Buy now</a> |

# Cylinder & Crankcase



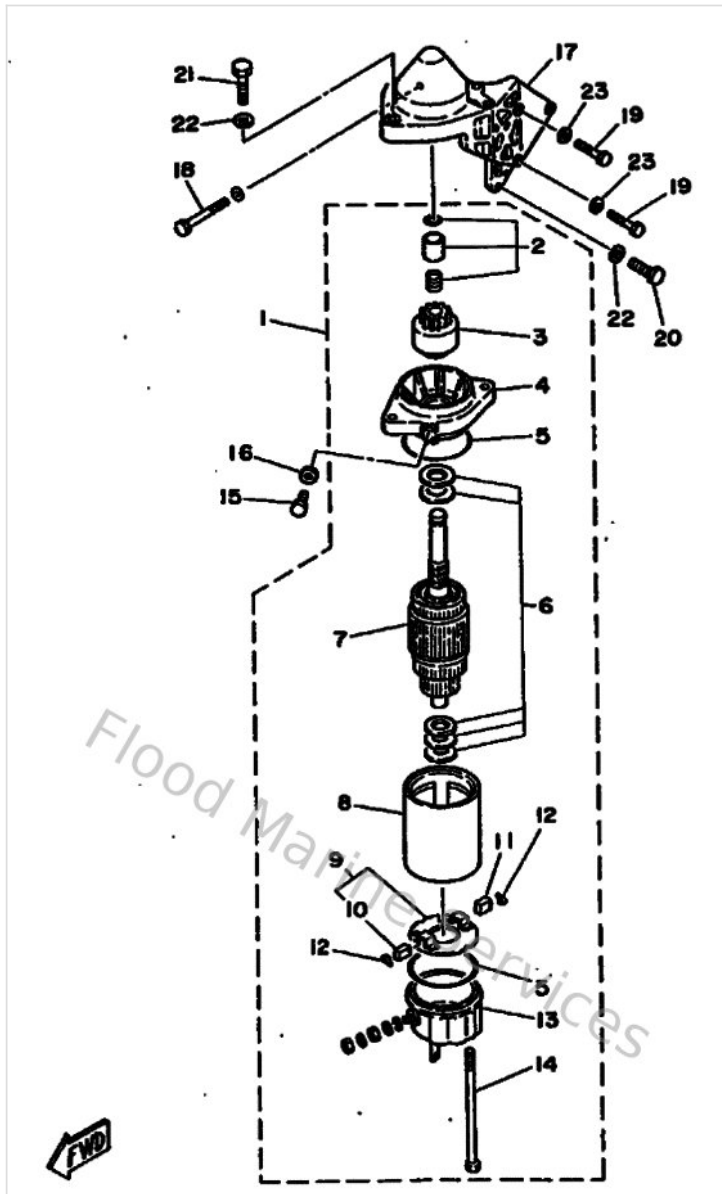
| Ref | Part  |                         |
|-----|---|-------------------------|
| 19  | <a href="#">6H7124110100</a><br>Thermostat                  | <a href="#">Buy now</a> |
| 20  | <a href="#">902012156700</a><br>Washer, plate (650)         | <a href="#">Buy now</a> |
| 21  | <a href="#">9010506M0900</a><br>Bolt, flange                | <a href="#">Buy now</a> |
| 22  | <a href="#">689153590094</a><br>Housing, Oil Seal           | <a href="#">Buy now</a> |
| 23  | <a href="#">689153690000</a><br>Gasket Oil Seal Housing     | <a href="#">Buy now</a> |
| 24  | <a href="#">9310225M1100</a><br>Oil Seal (689)              | <a href="#">Buy now</a> |
| 25  | <a href="#">689411130015</a><br>Outer Cover, Exhaust        | <a href="#">Buy now</a> |
| 26  | <a href="#">68941111009M</a><br>Inner cover, exhaust        | <a href="#">Buy now</a> |
| 27  | <a href="#">689411140000</a><br>Gasket, exhaust outer cover | <a href="#">Buy now</a> |
| 28  | <a href="#">9010106M2700</a><br>Bolt                        | <a href="#">Buy now</a> |
| 29  | <a href="#">973950603000</a><br>Bolt(jf7)                   | <a href="#">Buy now</a> |
| 30  | <a href="#">973950605000</a><br>Bolt(jf7)                   | <a href="#">Buy now</a> |
| 32  | <a href="#">68941112A000</a><br>Gasket, exhaust inner cover | <a href="#">Buy now</a> |
| 33  | <a href="#">947010004000</a><br>Plug, spark (b7hs)          | <a href="#">Buy now</a> |
| 34  | <a href="#">689W00010200</a><br>Power Head Gasket Kit       | <a href="#">Buy now</a> |

# Electric Motor



| Ref | Part  |                         |
|-----|---|-------------------------|
| 1   | <a href="#">689818001200</a><br>Starting motor assembly | <a href="#">Buy now</a> |
| 2   | <a href="#">689818571100</a><br>Pinion stopper set      | <a href="#">Buy now</a> |
| 3   | <a href="#">689818071200</a><br>Pinion assembly         | <a href="#">Buy now</a> |
| 4   | <a href="#">689818301100</a><br>Front cover ass'y       | <a href="#">Buy now</a> |
| 5   | <a href="#">689818471100</a><br>O-ring                  | <a href="#">Buy now</a> |
| 6   | <a href="#">689818091100</a><br>Washer kit              | <a href="#">Buy now</a> |
| 7   | <a href="#">689818501100</a><br>Armature assembly       | <a href="#">Buy now</a> |
| 8   | <a href="#">689818101100</a><br>Stator ass'y            | <a href="#">Buy now</a> |
| 9   | <a href="#">689818401100</a><br>Brush holder assembly   | <a href="#">Buy now</a> |
| 10  | <a href="#">689818121100</a><br>Brush 2                 | <a href="#">Buy now</a> |
| 11  | <a href="#">689818111100</a><br>Brush 1                 | <a href="#">Buy now</a> |
| 12  | <a href="#">689818131000</a><br>Spring, brush           | <a href="#">Buy now</a> |
| 13  | <a href="#">689818201100</a><br>Rear cover ass'y        | <a href="#">Buy now</a> |
| 14  | <a href="#">689818261000</a><br>Bolt                    | <a href="#">Buy now</a> |
| 15  | <a href="#">973130801200</a><br>Bolt(62e)               | <a href="#">Buy now</a> |

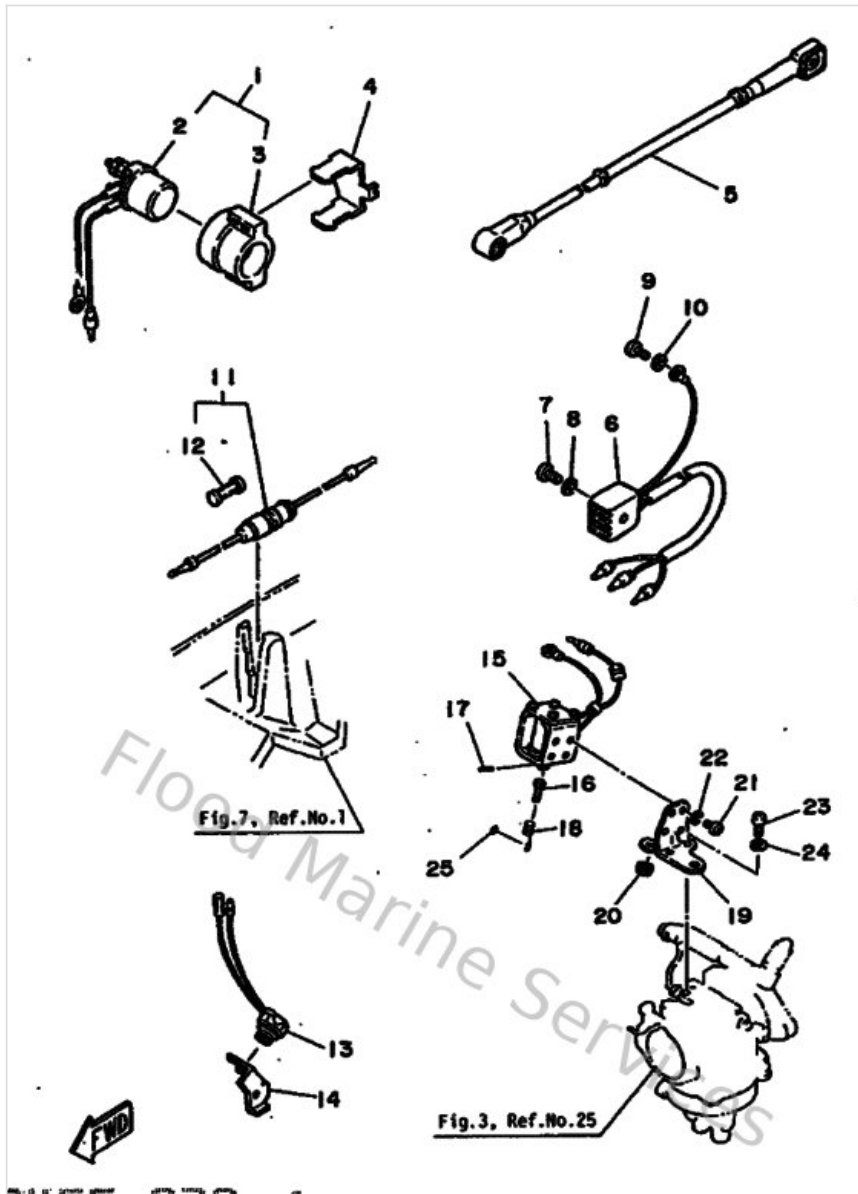
# Electric Motor



| Ref | Part  |                         |
|-----|---|-------------------------|
| 16  | <a href="#">929901010000</a><br>Ybs67-10 washer, spring | <a href="#">Buy now</a> |
| 17  | <a href="#">689157724094</a><br>Stay 2                  | <a href="#">Buy now</a> |
| 18  | <a href="#">973130605000</a><br>Bolt, hexagon           | <a href="#">Buy now</a> |
| 19  | <a href="#">970800603000</a><br>Bolt(jf7)               | <a href="#">Buy now</a> |
| 20  | <a href="#">973130802000</a><br>Bolt(6td)               | <a href="#">Buy now</a> |
| 21  | <a href="#">970130803000</a><br>Bolt                    | <a href="#">Buy now</a> |
| 22  | <a href="#">929030860000</a><br>Washer, plain (663)     | <a href="#">Buy now</a> |
| 23  | <a href="#">929030660000</a><br>Washer, plain (646)     | <a href="#">Buy now</a> |

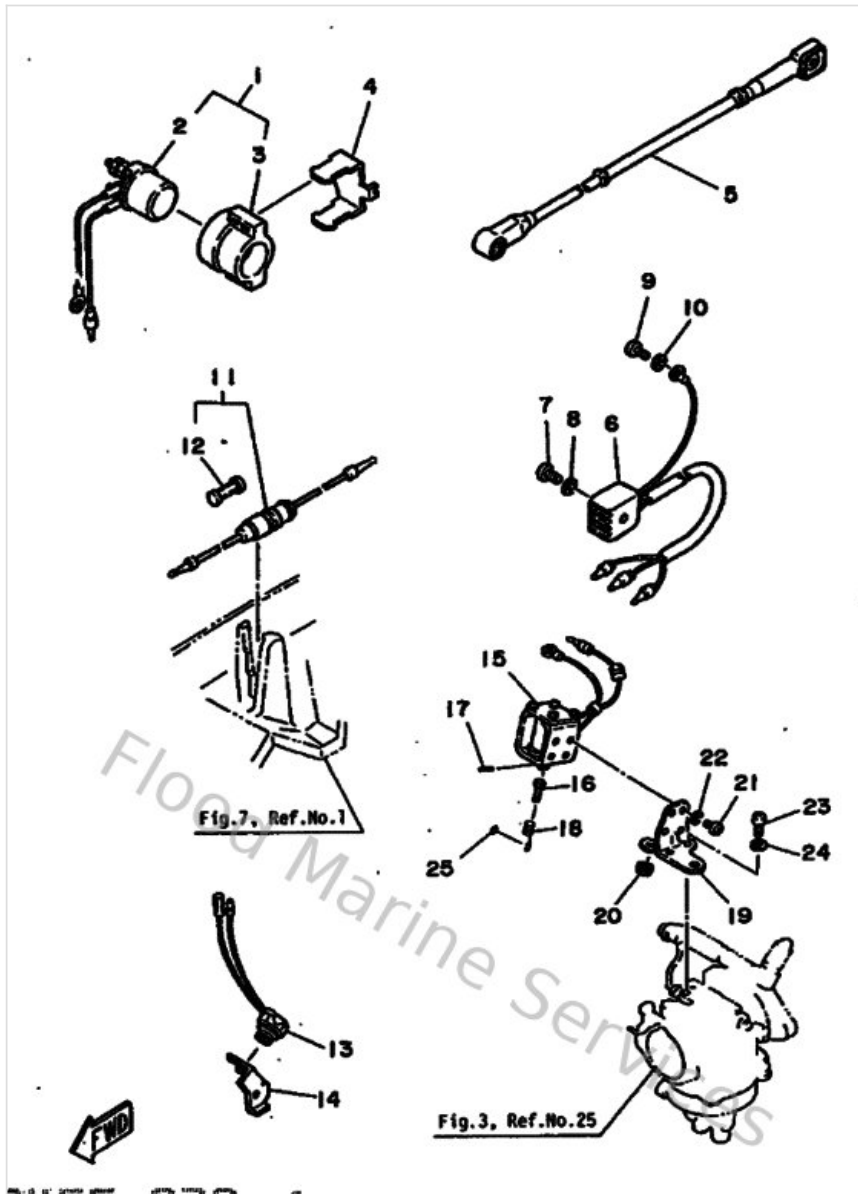


# Electric Parts



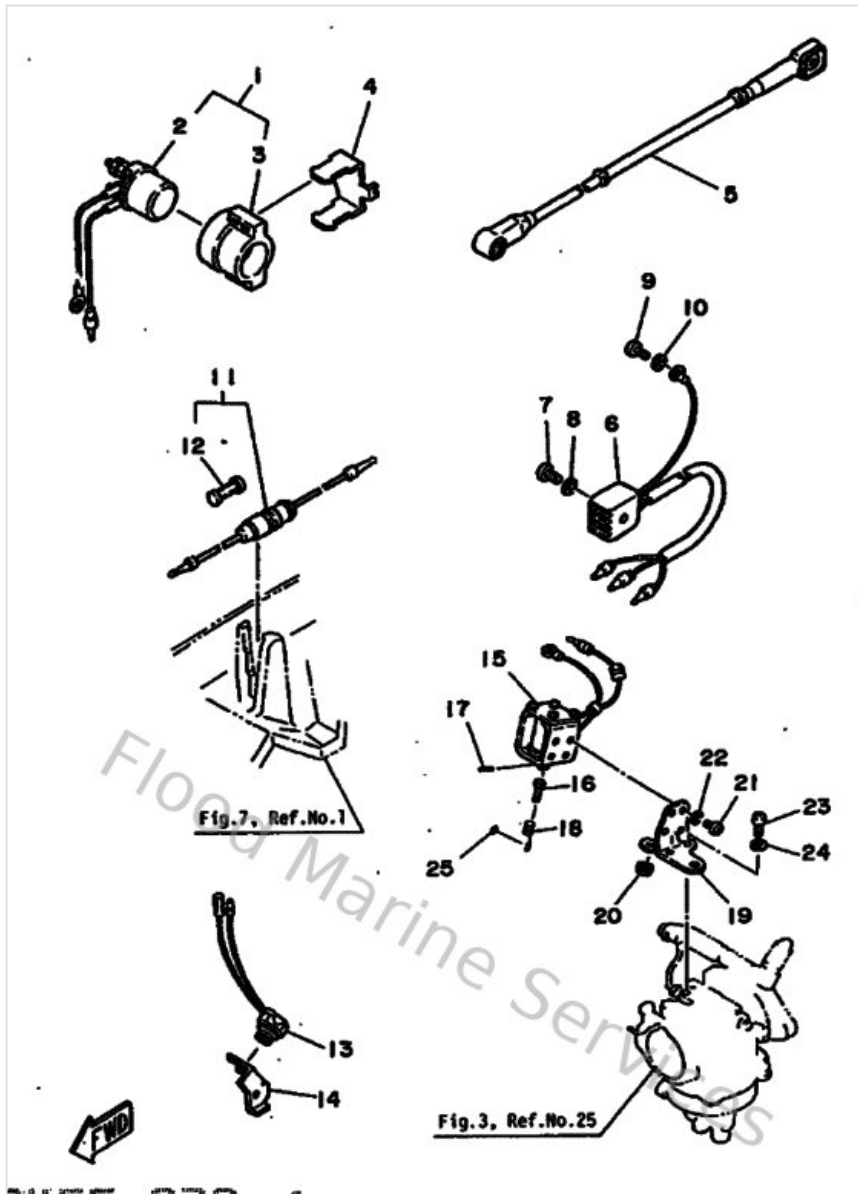
| Ref | Part  |                         |
|-----|---|-------------------------|
| 1   | <a href="#">6G1819400000</a><br>Starter relay         | <a href="#">Buy now</a> |
| 2   | <a href="#">6G1819411000</a><br>Starter relay         | <a href="#">Buy now</a> |
| 3   | <a href="#">6G1819520000</a><br>Holder, relay         | <a href="#">Buy now</a> |
| 4   | <a href="#">689819450000</a><br>Plate, Switch Fitting | <a href="#">Buy now</a> |
| 5   | <a href="#">689825310200</a><br>Wire, lead            | <a href="#">Buy now</a> |
| 6   | <a href="#">664819706000</a><br>Rectifier assembly    | <a href="#">Buy now</a> |
| 7   | <a href="#">985800552500</a><br>Screw, panhead (a93)  | <a href="#">Buy now</a> |
| 8   | <a href="#">929030560000</a><br>Washer, plain (646)   | <a href="#">Buy now</a> |
| 9   | <a href="#">973130601200</a><br>Bolt(gh1)             | <a href="#">Buy now</a> |
| 10  | <a href="#">929030610000</a><br>Washer(6a1)           | <a href="#">Buy now</a> |
| 11  | <a href="#">682821501000</a><br>Fuse holder assembly  | <a href="#">Buy now</a> |
| 12  | <a href="#">663821510000</a><br>Fuse                  | <a href="#">Buy now</a> |
| 13  | <a href="#">689825400100</a><br>Neutral switch ass'y  | <a href="#">Buy now</a> |
| 14  | <a href="#">689157744000</a><br>Stay 4                | <a href="#">Buy now</a> |
| 16  | <a href="#">676861170000</a><br>Hook, wire pull       | <a href="#">Buy now</a> |

# Electric Parts



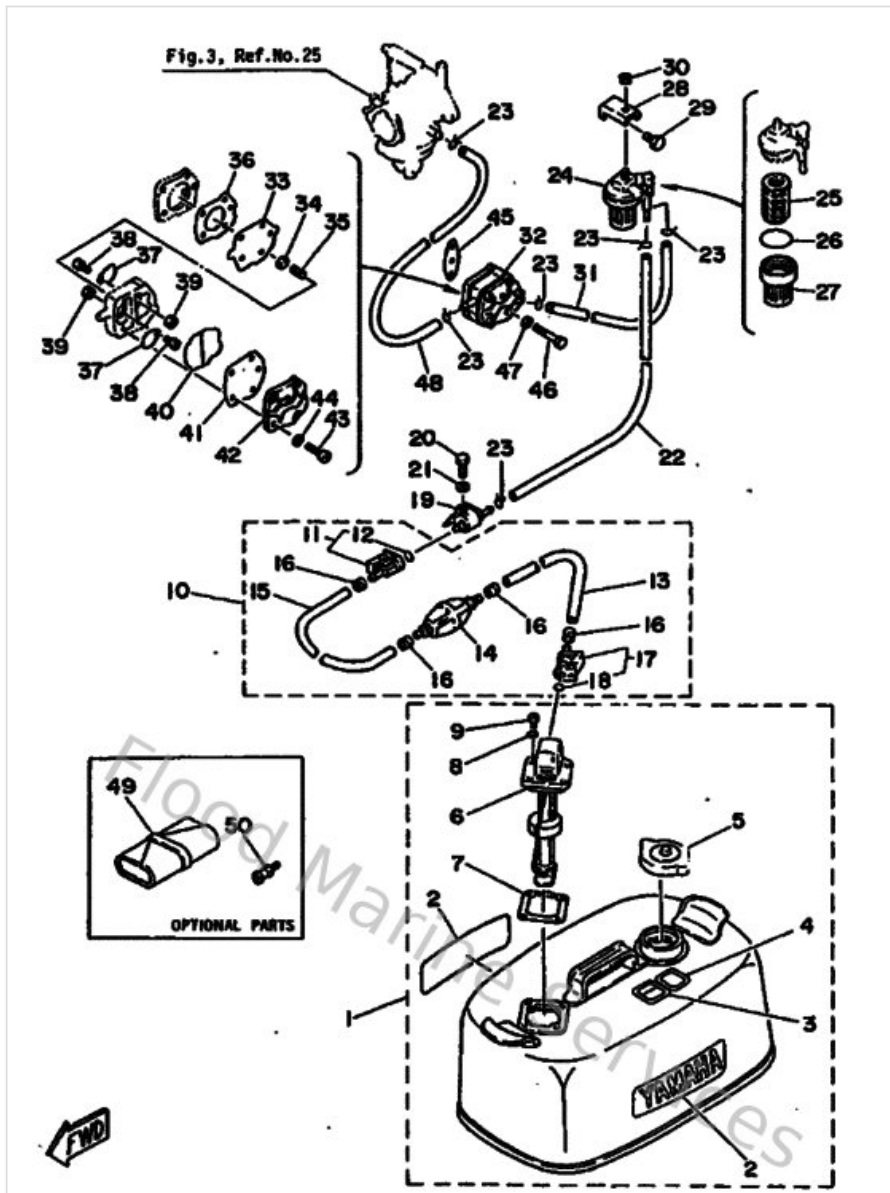
| Ref | Part  |                         |
|-----|---|-------------------------|
| 17  | <a href="#">916903001000</a><br>Pin, spring (663)     | <a href="#">Buy now</a> |
| 19  | <a href="#">689861120100</a><br>Stay, Solenoid        | <a href="#">Buy now</a> |
| 20  | <a href="#">904801015500</a><br>Grommet(664)          | <a href="#">Buy now</a> |
| 21  | <a href="#">985800400600</a><br>Screw, pan head (7h3) | <a href="#">Buy now</a> |
| 22  | <a href="#">929030420000</a><br>Ybs66-4 washer, plain | <a href="#">Buy now</a> |
| 23  | <a href="#">978030501200</a><br>Screw, pan head (646) | <a href="#">Buy now</a> |
| 25  | <a href="#">932100326100</a><br>O-ring (663)          | <a href="#">Buy now</a> |
| 2   | <a href="#">689855470000</a><br>Damper                | <a href="#">Buy now</a> |
| 3   | <a href="#">663823170000</a><br>Damper, ignition coil | <a href="#">Buy now</a> |
| 4   | <a href="#">624425420000</a><br>Collar                | <a href="#">Buy now</a> |
| 5   | <a href="#">973130602500</a><br>Bolt                  | <a href="#">Buy now</a> |
| 6   | <a href="#">902010605000</a><br>Washer, plate(6e3)    | <a href="#">Buy now</a> |
| 7   | <a href="#">9011606M0700</a><br>Bolt, stud (688)      | <a href="#">Buy now</a> |
| 8   | <a href="#">953030660000</a><br>Nut(661)              | <a href="#">Buy now</a> |
| 9   | <a href="#">929030660000</a><br>Washer, plain (646)   | <a href="#">Buy now</a> |

# Electric Parts

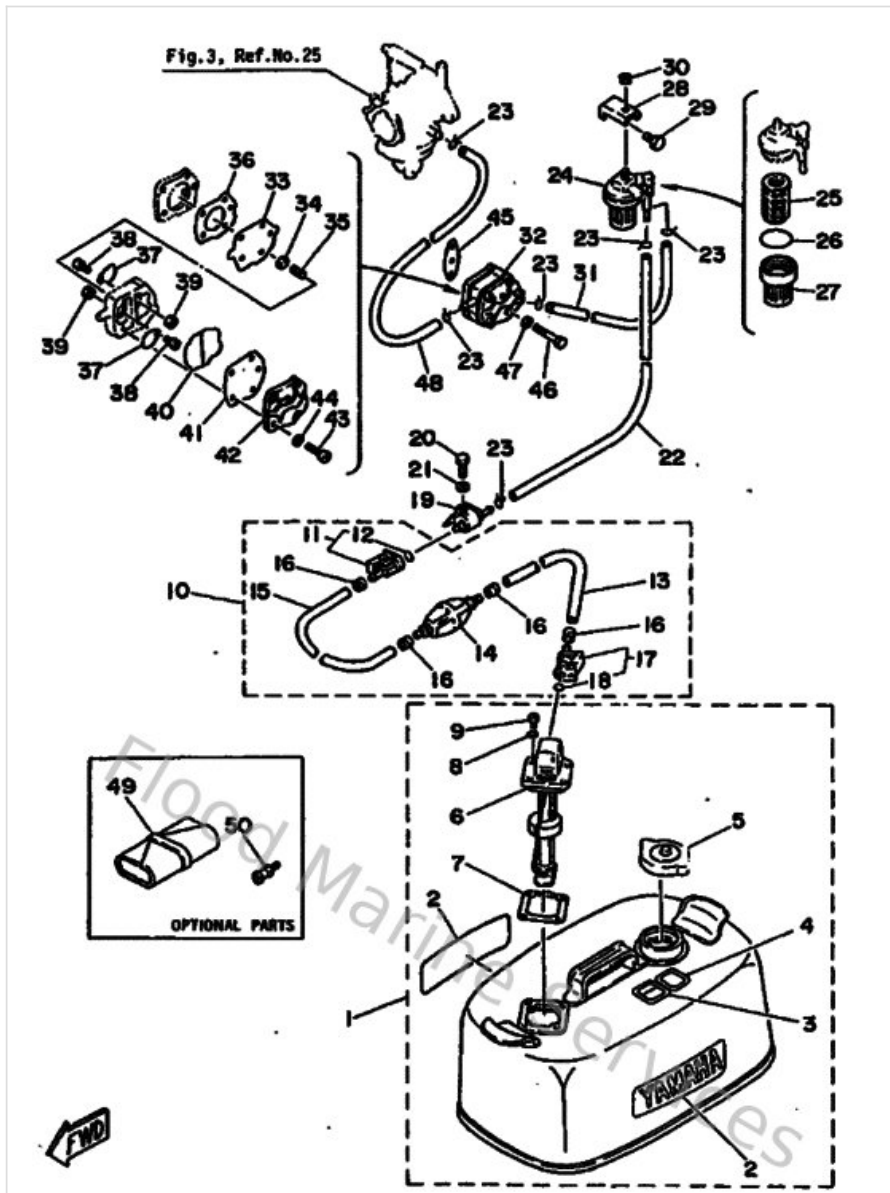


| Ref | Part   |                         |
|-----|--|-------------------------|
| 10  | <a href="#">689825190000</a><br>Wire Earth Lead        | <a href="#">Buy now</a> |
| 12  | <a href="#">929950610000</a><br>Washer(6a1)            | <a href="#">Buy now</a> |
| 13  | <a href="#">689855402000</a><br>C.d.i. Unit Assembly   | <a href="#">Buy now</a> |
| 14  | <a href="#">689855480100</a><br>Holder                 | <a href="#">Buy now</a> |
| 17  | <a href="#">689855702100</a><br>Ignition coil assembly | <a href="#">Buy now</a> |
| 18  | <a href="#">904802516100</a><br>Grommet(656)           | <a href="#">Buy now</a> |
| 20  | <a href="#">663823700100</a><br>Plug cap assembly      | <a href="#">Buy now</a> |
| 21  | <a href="#">9046508M0500</a><br>Clamp                  | <a href="#">Buy now</a> |
| 22  | <a href="#">9048017M0800</a><br>Grommet (689)          | <a href="#">Buy now</a> |

# Fuel



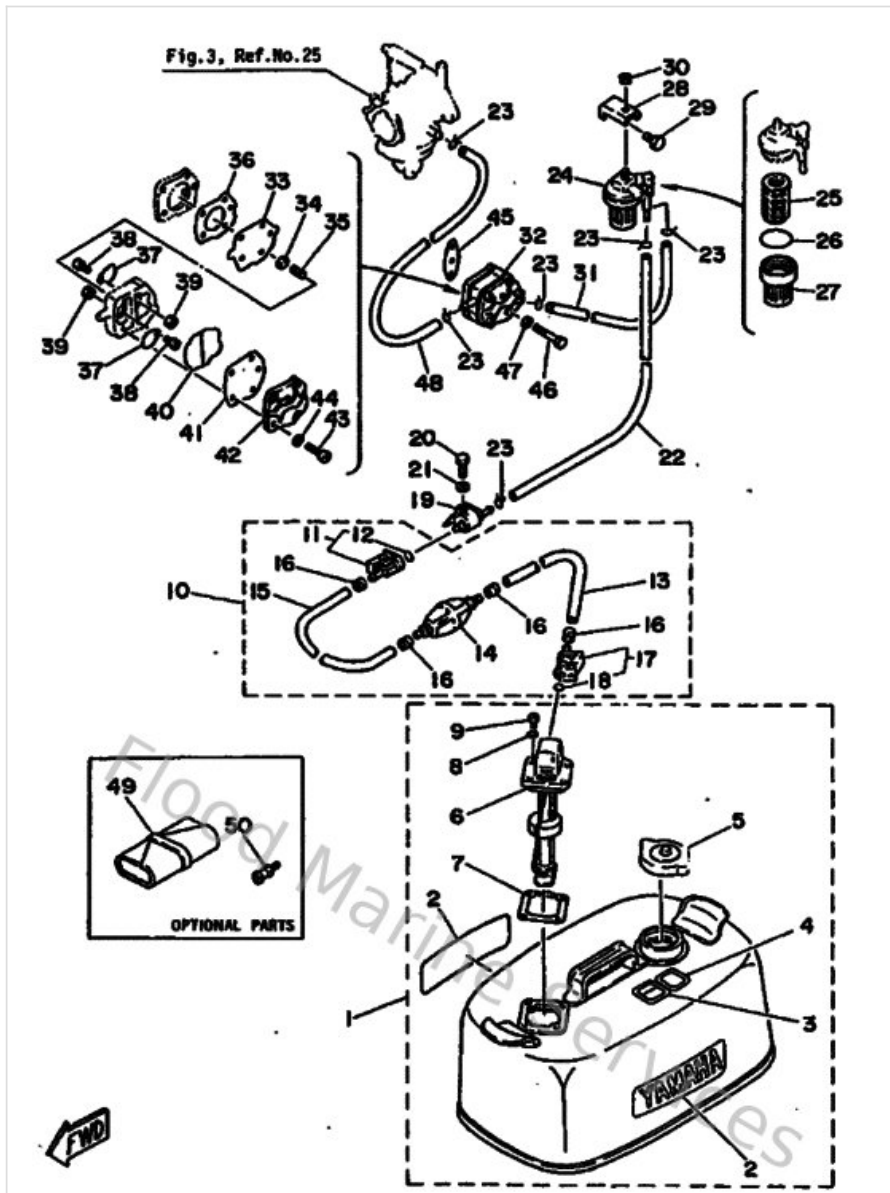
| Ref | Part  |                         |
|-----|---|-------------------------|
| 3   | <a href="#">6Y1242558000</a><br>Graphic, Fuel Tank 8    | <a href="#">Buy now</a> |
| 5   | <a href="#">6Y1246100000</a><br>Cap assembly            | <a href="#">Buy now</a> |
| 6   | <a href="#">6Y1242600000</a><br>Fuel meter assembly     | <a href="#">Buy now</a> |
| 7   | <a href="#">6Y1242680000</a><br>Gasket, fuel meter      | <a href="#">Buy now</a> |
| 8   | <a href="#">6Y1243290000</a><br>Seal                    | <a href="#">Buy now</a> |
| 9   | <a href="#">985860501600</a><br>Screw, pan head         | <a href="#">Buy now</a> |
| 10  | <a href="#">6YL243066400</a><br>Fuel pipe comp. 1       | <a href="#">Buy now</a> |
| 11  | <a href="#">655243050100</a><br>Fuel pipe joint comp. 2 | <a href="#">Buy now</a> |
| 12  | <a href="#">932100828700</a><br>O-ring (655)            | <a href="#">Buy now</a> |
| 13  | <a href="#">9044511M8100</a><br>Hose (I3000)            | <a href="#">Buy now</a> |
| 14  | <a href="#">6Y1243600000</a><br>Primer pump assembly    | <a href="#">Buy now</a> |
| 15  | <a href="#">9044511M7800</a><br>Hose (I1000)            | <a href="#">Buy now</a> |
| 16  | <a href="#">650243515100</a><br>Band 1                  | <a href="#">Buy now</a> |
| 17  | <a href="#">6Y1243050000</a><br>Fuel pipe joint comp. 2 | <a href="#">Buy now</a> |
| 19  | <a href="#">6G1243041000</a><br>Fuel pipe joint comp. 1 | <a href="#">Buy now</a> |



| Ref | Part  |                         |
|-----|---|-------------------------|
| 20  | <a href="#">973130602000</a><br>Bolt(7u8)             | <a href="#">Buy now</a> |
| 21  | <a href="#">929900660000</a><br>Washer, plain (646)   | <a href="#">Buy now</a> |
| 22  | <a href="#">9044509M2500</a><br>Hose (l1500)          | <a href="#">Buy now</a> |
| 23  | <a href="#">904670800400</a><br>Clip, pipe 6162435600 | <a href="#">Buy now</a> |
| 24  | <a href="#">655245600100</a><br>Filter assembly       | <a href="#">Buy now</a> |
| 26  | <a href="#">9321037M2500</a><br>O-ring (655)          | <a href="#">Buy now</a> |
| 28  | <a href="#">648245660100</a><br>Bracket, Filter       | <a href="#">Buy now</a> |
| 29  | <a href="#">973130601200</a><br>Bolt(gh1)             | <a href="#">Buy now</a> |
| 30  | <a href="#">953030860000</a><br>Nut(6l2)              | <a href="#">Buy now</a> |
| 31  | <a href="#">689243110000</a><br>Hose                  | <a href="#">Buy now</a> |
| 32  | <a href="#">6A0244100100</a><br>Fuel pump assembly    | <a href="#">Buy now</a> |
| 33  | <a href="#">648244110000</a><br>Diaphragm             | <a href="#">Buy now</a> |
| 34  | <a href="#">648244240000</a><br>Seat,spring           | <a href="#">Buy now</a> |
| 35  | <a href="#">648244230000</a><br>Spring,diaphragm      | <a href="#">Buy now</a> |
| 36  | <a href="#">648244340000</a><br>Gasket, body          | <a href="#">Buy now</a> |

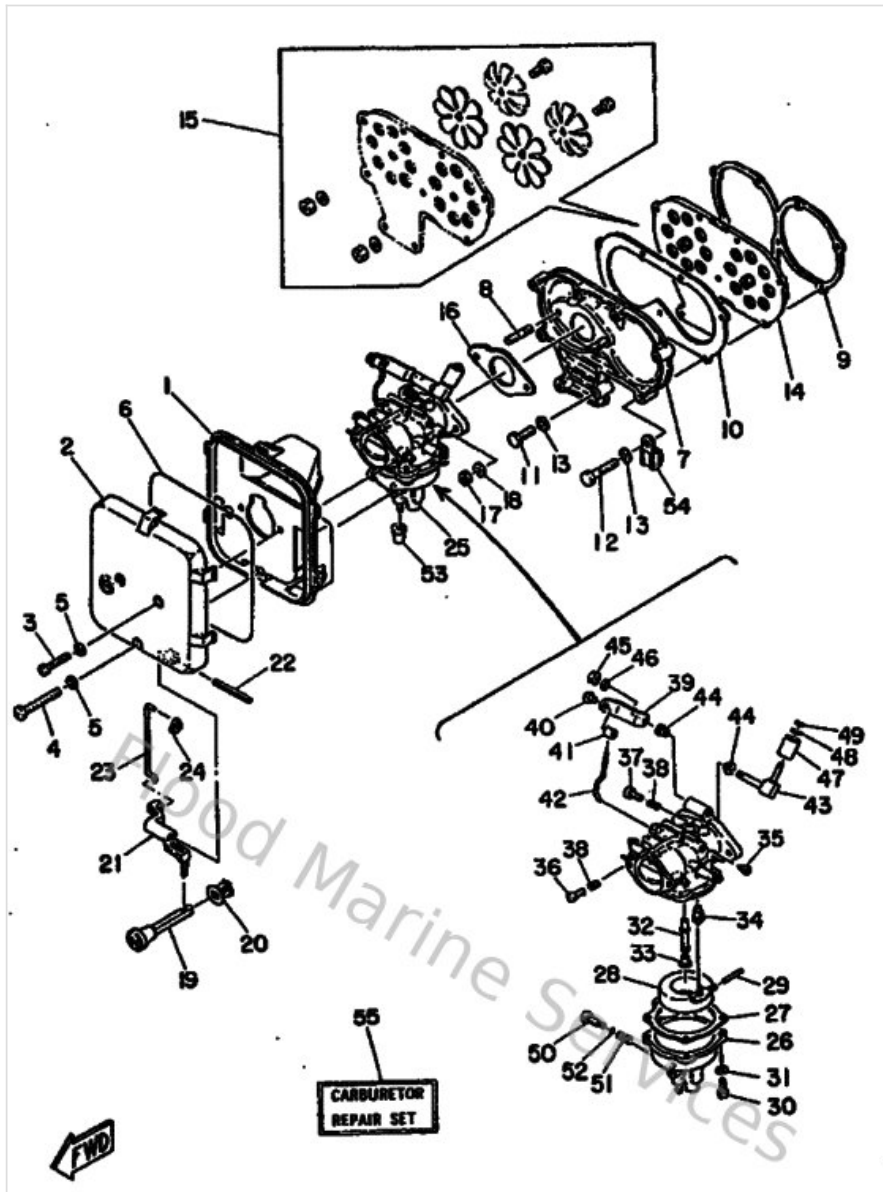


# Fuel



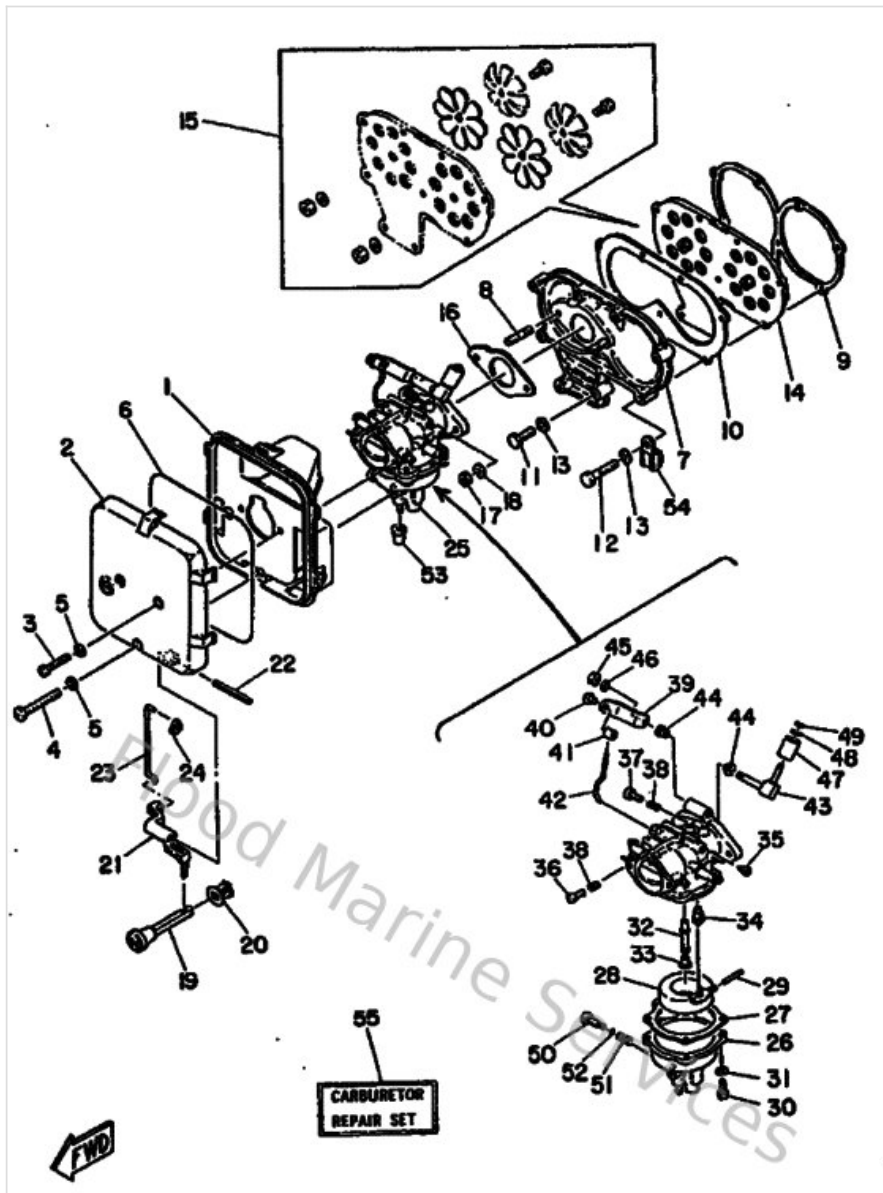
| Ref | Part  |                         |
|-----|---|-------------------------|
| 37  | <a href="#">6A0244210100</a><br>Valve, check            | <a href="#">Buy now</a> |
| 39  | <a href="#">988130310000</a><br>Nut                     | <a href="#">Buy now</a> |
| 40  | <a href="#">6A0244350000</a><br>Gasket, Body 2          | <a href="#">Buy now</a> |
| 41  | <a href="#">663244110000</a><br>Diaphragm               | <a href="#">Buy now</a> |
| 42  | <a href="#">6A0244130000</a><br>Cover, pump             | <a href="#">Buy now</a> |
| 43  | <a href="#">985030502800</a><br>Ybs86-530 screw,panhead | <a href="#">Buy now</a> |
| 44  | <a href="#">929900510000</a><br>Ybs67-5 washer, spring  | <a href="#">Buy now</a> |
| 45  | <a href="#">650244310000</a><br>Gasket,fuel pump        | <a href="#">Buy now</a> |
| 46  | <a href="#">970950604000</a><br>Bolt (682)              | <a href="#">Buy now</a> |
| 47  | <a href="#">929030660000</a><br>Washer, plain (646)     | <a href="#">Buy now</a> |
| 48  | <a href="#">648243120100</a><br>Pipe, fuel 1            | <a href="#">Buy now</a> |
| 49  | <a href="#">6E0281000000</a><br>Tool kit                | <a href="#">Buy now</a> |
| 50  | <a href="#">6E0281930094</a><br>Plug, water check       | <a href="#">Buy now</a> |

# Intake



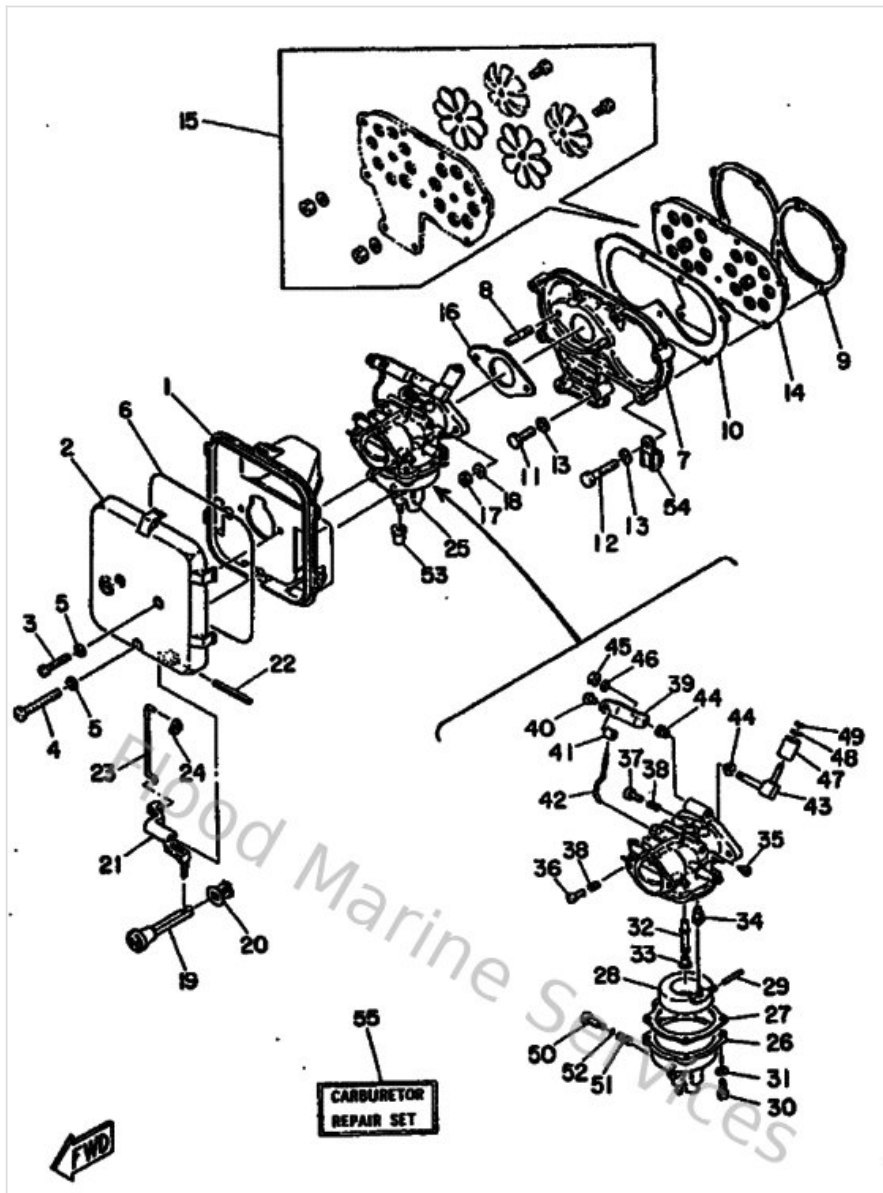
| Ref | Part  |                         |
|-----|---|-------------------------|
| 3   | <a href="#">978030503000</a><br>Ybs86-530 screw,panhead | <a href="#">Buy now</a> |
| 4   | <a href="#">978030505000</a><br>Ybs86-550 screw,panhead | <a href="#">Buy now</a> |
| 5   | <a href="#">929900560000</a><br>Washer, plain (646)     | <a href="#">Buy now</a> |
| 6   | <a href="#">9321162M2400</a><br>O-Ring (689)            | <a href="#">Buy now</a> |
| 7   | <a href="#">648136410194</a><br>Manifold, Intake 1      | <a href="#">Buy now</a> |
| 9   | <a href="#">64813621A100</a><br>Gasket, valve seat      | <a href="#">Buy now</a> |
| 10  | <a href="#">648136450000</a><br>Gasket, manifold 1      | <a href="#">Buy now</a> |
| 11  | <a href="#">973130602500</a><br>Bolt                    | <a href="#">Buy now</a> |
| 13  | <a href="#">929030660000</a><br>Washer, plain (646)     | <a href="#">Buy now</a> |
| 14  | <a href="#">689136100100</a><br>Reed valve assembly     | <a href="#">Buy now</a> |
| 15  | <a href="#">689W00040000</a><br>Reed set                | <a href="#">Buy now</a> |
| 16  | <a href="#">648141980000</a><br>Gasket                  | <a href="#">Buy now</a> |
| 17  | <a href="#">953030660000</a><br>Nut(661)                | <a href="#">Buy now</a> |
| 19  | <a href="#">682412710100</a><br>Knob, choke             | <a href="#">Buy now</a> |
| 20  | <a href="#">689412730000</a><br>Grommet                 | <a href="#">Buy now</a> |

# Intake



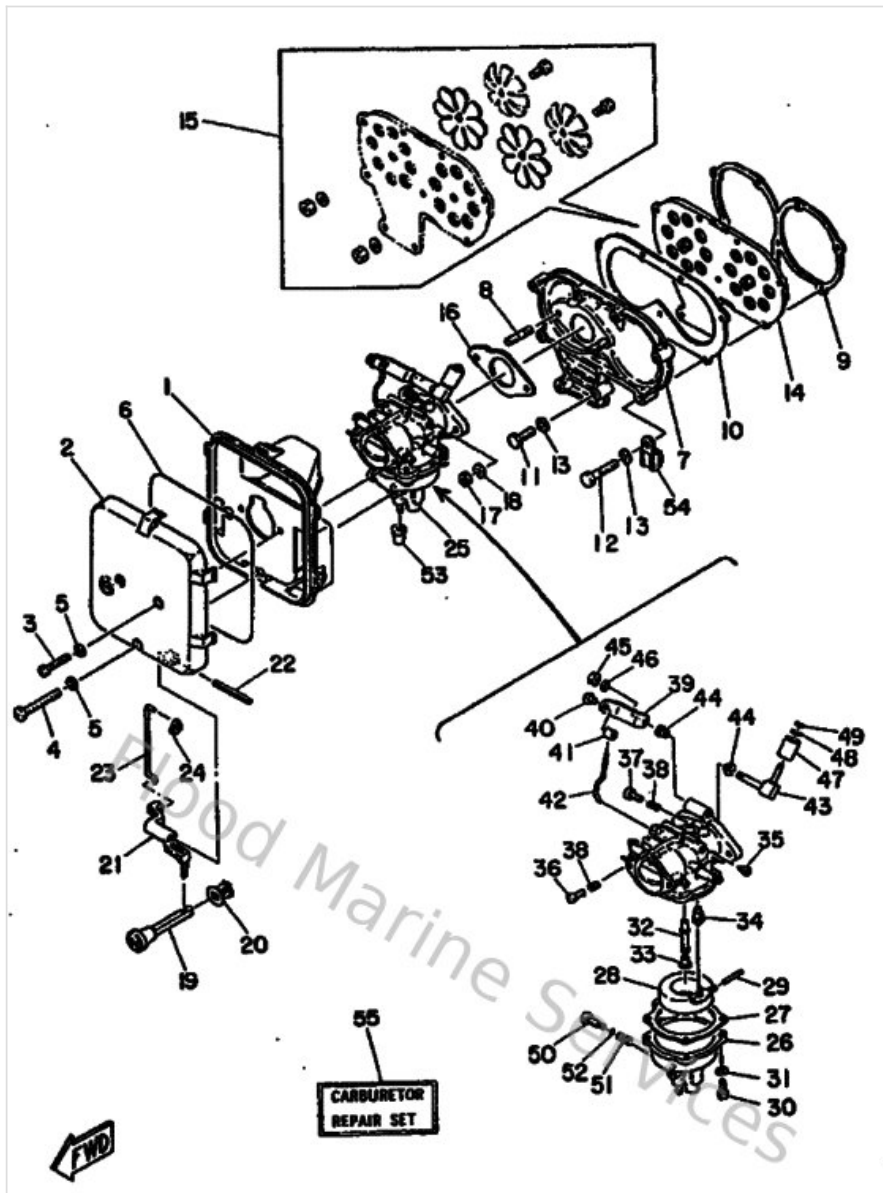
| Ref | Part   |                         |
|-----|--|-------------------------|
| 21  | <a href="#">68941252000</a><br>Lever, choke 1          | <a href="#">Buy now</a> |
| 22  | <a href="#">916904004800</a><br>Pin, spring (689)      | <a href="#">Buy now</a> |
| 23  | <a href="#">689412560000</a><br>Rod, Choke 1           | <a href="#">Buy now</a> |
| 24  | <a href="#">661412620200</a><br>Joint, choke lever     | <a href="#">Buy now</a> |
| 25  | <a href="#">689143018100</a><br>Carburetor assembly 1  | <a href="#">Buy now</a> |
| 26  | <a href="#">689143810100</a><br>Body, Float Chamber    | <a href="#">Buy now</a> |
| 27  | <a href="#">648143840100</a><br>Gasket, float chamber  | <a href="#">Buy now</a> |
| 28  | <a href="#">648143850000</a><br>Float                  | <a href="#">Buy now</a> |
| 29  | <a href="#">689143860000</a><br>Pin, float             | <a href="#">Buy now</a> |
| 30  | <a href="#">985030401200</a><br>Screw, pan head (686)  | <a href="#">Buy now</a> |
| 31  | <a href="#">929900410000</a><br>Ybs67-4 washer, spring | <a href="#">Buy now</a> |
| 32  | <a href="#">689143410000</a><br>Nozzle Main            | <a href="#">Buy now</a> |
| 33  | <a href="#">689143436800</a><br>Jet, main (#135)       | <a href="#">Buy now</a> |
| 34  | <a href="#">648143901400</a><br>Needle valve assembly  | <a href="#">Buy now</a> |
| 35  | <a href="#">689143422700</a><br>Jet, Pilot Xx          | <a href="#">Buy now</a> |

# Intake



| Ref | Part  |                         |
|-----|---|-------------------------|
| 36  | <a href="#">648143210000</a><br>Screw, pan head(ga5)      | <a href="#">Buy now</a> |
| 37  | <a href="#">647143230000</a><br>Screw, air adjusting      | <a href="#">Buy now</a> |
| 38  | <a href="#">646142120100</a><br>Spring, pilot adjusting   | <a href="#">Buy now</a> |
| 39  | <a href="#">689412100000</a><br>Axle Arm Assembly.carb    | <a href="#">Buy now</a> |
| 40  | <a href="#">677143270000</a><br>Screw                     | <a href="#">Buy now</a> |
| 41  | <a href="#">689412260000</a><br>Lever End, Throttle Lever | <a href="#">Buy now</a> |
| 43  | <a href="#">689412160000</a><br>Sheave Shaft, Acc L       | <a href="#">Buy now</a> |
| 44  | <a href="#">903860500200</a><br>Bush 626412910000         | <a href="#">Buy now</a> |
| 45  | <a href="#">953030570000</a><br>Nut (656)                 | <a href="#">Buy now</a> |
| 46  | <a href="#">929900510000</a><br>Ybs67-5 washer, spring    | <a href="#">Buy now</a> |
| 47  | <a href="#">664412310000</a><br>Collar Guide Pin (Carb)   | <a href="#">Buy now</a> |
| 48  | <a href="#">929900520000</a><br>Ybs66-5 washer, plain     | <a href="#">Buy now</a> |
| 49  | <a href="#">934300403100</a><br>Circlip(655 carb)         | <a href="#">Buy now</a> |
| 50  | <a href="#">646143940000</a><br>Valve, Drain              | <a href="#">Buy now</a> |
| 51  | <a href="#">646142230100</a><br>Spring Drain Valve (664)  | <a href="#">Buy now</a> |

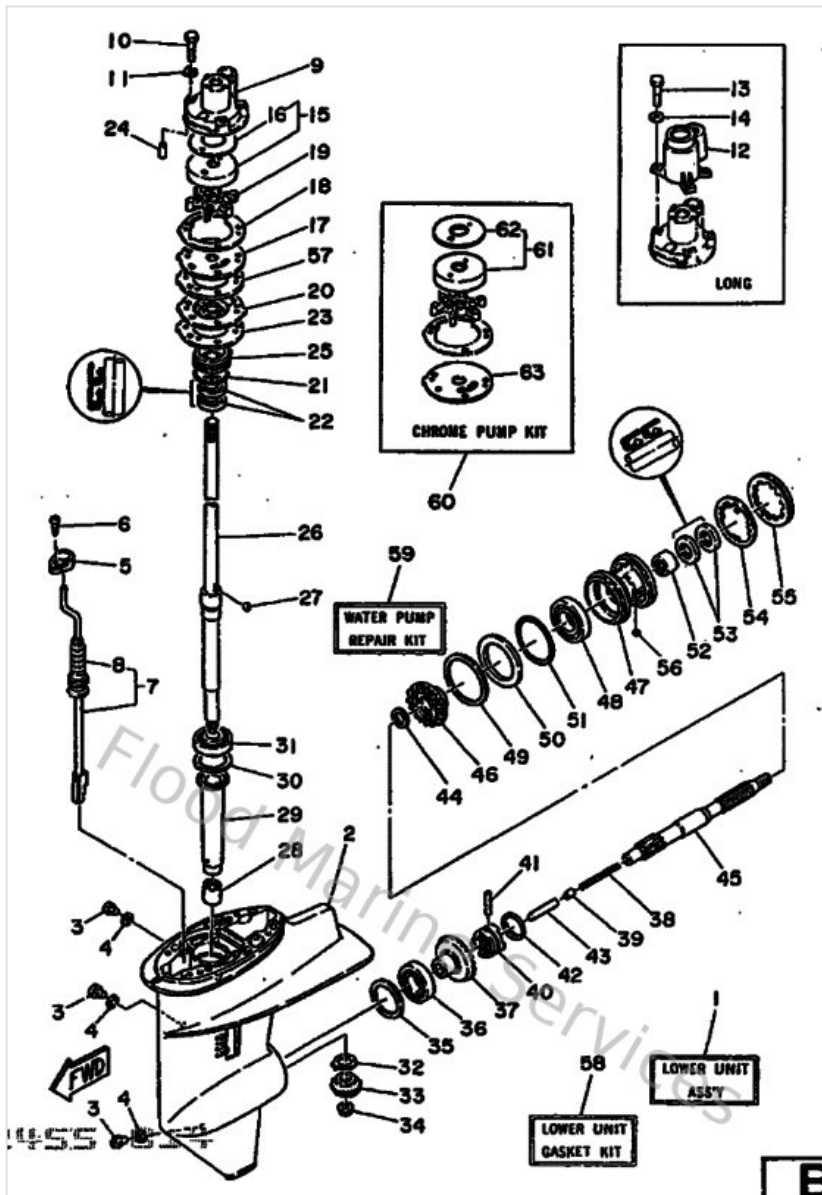
# Intake



| Ref | Part  |                         |
|-----|---|-------------------------|
| 52  | <a href="#">64614397000</a><br>Ring O (664)           | <a href="#">Buy now</a> |
| 53  | <a href="#">64814382600</a><br>Cap Drain Pipe         | <a href="#">Buy now</a> |
| 54  | <a href="#">904610601500</a><br>Clamp (6a4)           | <a href="#">Buy now</a> |
| 55  | <a href="#">689W00930000</a><br>Carburetor repair kit | <a href="#">Buy now</a> |

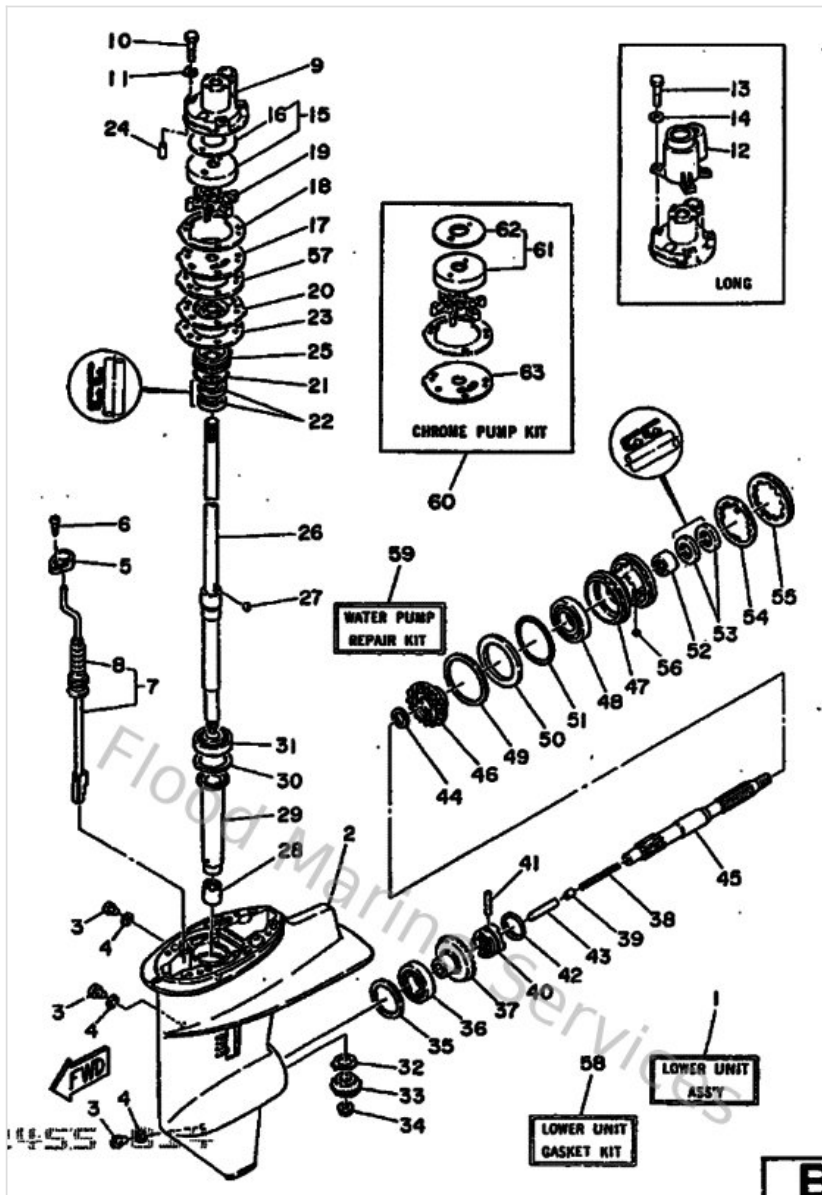


# Lower Casing & Drive 1



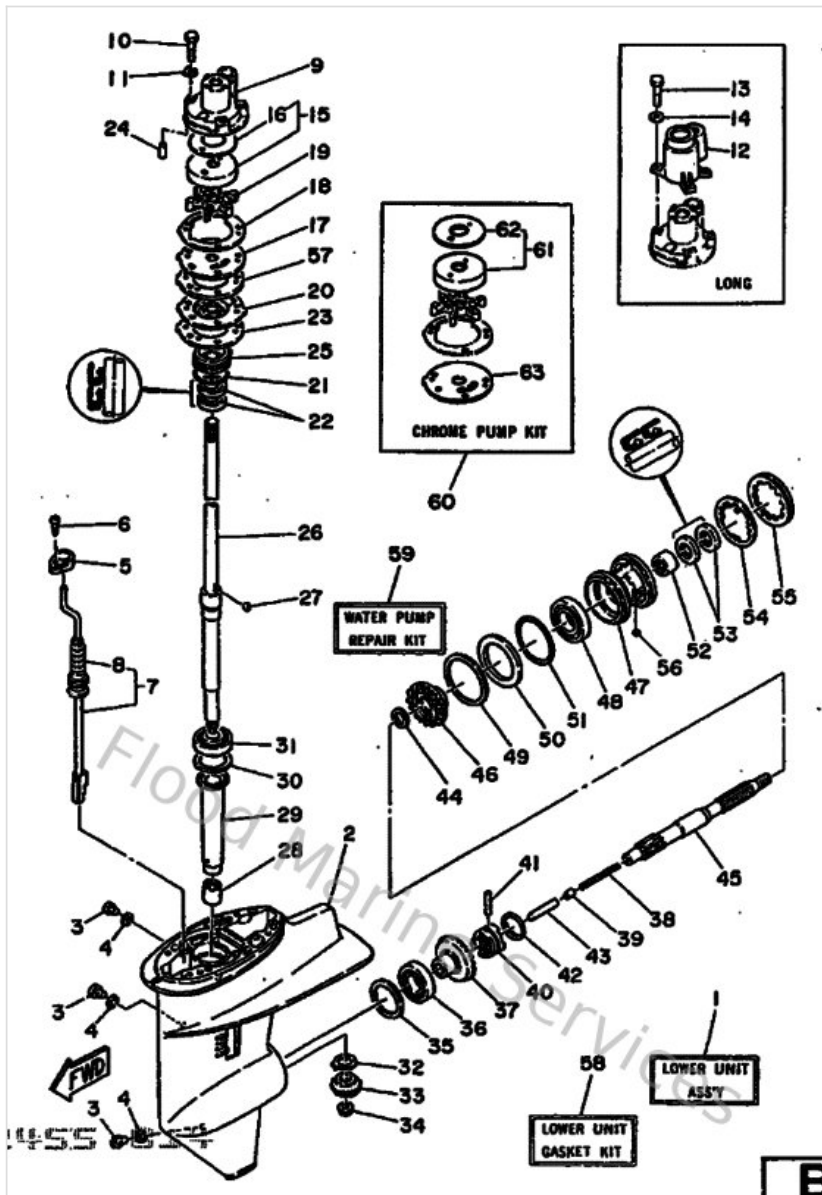
| Ref | Part   |                         |
|-----|--|-------------------------|
| 3   | <a href="#">903400801400</a><br>Plug, straight screw     | <a href="#">Buy now</a> |
| 4   | <a href="#">904300802000</a><br>Gasket                   | <a href="#">Buy now</a> |
| 5   | <a href="#">689441760000</a><br>Bracket                  | <a href="#">Buy now</a> |
| 6   | <a href="#">977805061000</a><br>Screw, tapping(6u1)      | <a href="#">Buy now</a> |
| 7   | <a href="#">664441501100</a><br>Shift Cam assembly       | <a href="#">Buy now</a> |
| 8   | <a href="#">664441470000</a><br>Boot, shift rod          | <a href="#">Buy now</a> |
| 9   | <a href="#">689443110300</a><br>Housing, water pump      | <a href="#">Buy now</a> |
| 10  | <a href="#">9010106M5600</a><br>Bolt(jf7)                | <a href="#">Buy now</a> |
| 11  | <a href="#">9020906M0400</a><br>Washer                   | <a href="#">Buy now</a> |
| 12  | <a href="#">6894431200CA</a><br>Cover Water Pump Housing | <a href="#">Buy now</a> |
| 13  | <a href="#">973950603500</a><br>Bolt(j52)                | <a href="#">Buy now</a> |
| 14  | <a href="#">929900660000</a><br>Washer, plain (646)      | <a href="#">Buy now</a> |
| 15  | <a href="#">689W44320200</a><br>Insert cartridge comp.   | <a href="#">Buy now</a> |
| 16  | <a href="#">689443670100</a><br>Rubber, water seal 3     | <a href="#">Buy now</a> |
| 17  | <a href="#">689443230300</a><br>Outer plate, cartridge   | <a href="#">Buy now</a> |

# Lower Casing & Drive 1



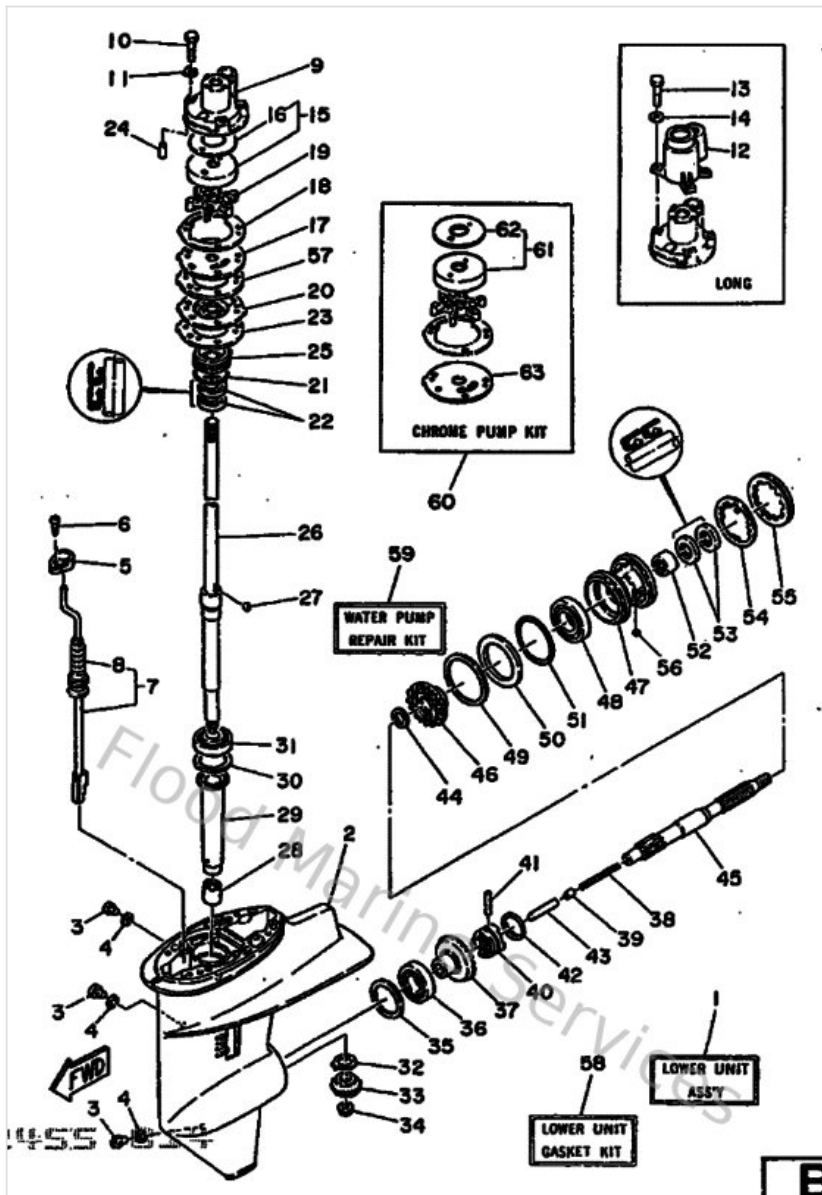
| Ref | Part  |                         |
|-----|---|-------------------------|
| 18  | <a href="#">689443240100</a><br>Gasket, cartridge             | <a href="#">Buy now</a> |
| 19  | <a href="#">689443520200</a><br>Impeller                      | <a href="#">Buy now</a> |
| 20  | <a href="#">68944325029M</a><br>Protector Oil Seal            | <a href="#">Buy now</a> |
| 21  | <a href="#">9321040M1000</a><br>O-ring (682)                  | <a href="#">Buy now</a> |
| 22  | <a href="#">931012206700</a><br>Oil seal (22x36x6-663)        | <a href="#">Buy now</a> |
| 23  | <a href="#">689443150100</a><br>Gasket, water pump            | <a href="#">Buy now</a> |
| 24  | <a href="#">9360410M0300</a><br>Pin, dowel (688)              | <a href="#">Buy now</a> |
| 25  | <a href="#">689453440094</a><br>Cover, oil seal               | <a href="#">Buy now</a> |
| 26  | <a href="#">689455010000</a><br>Drive shaft comp              | <a href="#">Buy now</a> |
| 27  | <a href="#">664443380000</a><br>Key, woodruff                 | <a href="#">Buy now</a> |
| 28  | <a href="#">93315017U400</a><br>Brg,cyl-cal roller (689)      | <a href="#">Buy now</a> |
| 29  | <a href="#">689455360000</a><br>Sleeve Drive Shaft            | <a href="#">Buy now</a> |
| 30  | <a href="#">664455876000</a><br>Shim (t:0.50mm)               | <a href="#">Buy now</a> |
| 31  | <a href="#">93332000U400</a><br>Brg,tapered roller 42mm (689) | <a href="#">Buy now</a> |
| 32  | <a href="#">664455520900</a><br>Bearing, Plain                | <a href="#">Buy now</a> |

# Lower Casing & Drive 1



| Ref | Part   |                         |
|-----|--|-------------------------|
| 33  | <a href="#">689455510000</a><br>Pinion                         | <a href="#">Buy now</a> |
| 34  | <a href="#">9017909M0200</a><br>Nut (689)                      | <a href="#">Buy now</a> |
| 35  | <a href="#">664455676000</a><br>Shim (t:0.50mm)                | <a href="#">Buy now</a> |
| 36  | <a href="#">933320000500</a><br>Brg,cyl-cal roller 0.19g nt    | <a href="#">Buy now</a> |
| 37  | <a href="#">689455601000</a><br>Gear                           | <a href="#">Buy now</a> |
| 38  | <a href="#">905011006500</a><br>Spring compression648456360000 | <a href="#">Buy now</a> |
| 39  | <a href="#">648456340000</a><br>Slide, Shaft                   | <a href="#">Buy now</a> |
| 40  | <a href="#">664456310000</a><br>Clutch, dog                    | <a href="#">Buy now</a> |
| 41  | <a href="#">902500501000</a><br>Pin straight 648456320000      | <a href="#">Buy now</a> |
| 42  | <a href="#">648456331100</a><br>Ring, cross pin                | <a href="#">Buy now</a> |
| 43  | <a href="#">648456350000</a><br>Plunger,shift                  | <a href="#">Buy now</a> |
| 44  | <a href="#">902012041700</a><br>Washer, plate(663)             | <a href="#">Buy now</a> |
| 45  | <a href="#">689456110000</a><br>Shaft, Propeller               | <a href="#">Buy now</a> |
| 46  | <a href="#">689455710000</a><br>Gear 2                         | <a href="#">Buy now</a> |
| 47  | <a href="#">689453310100</a><br>Housing, bearing               | <a href="#">Buy now</a> |

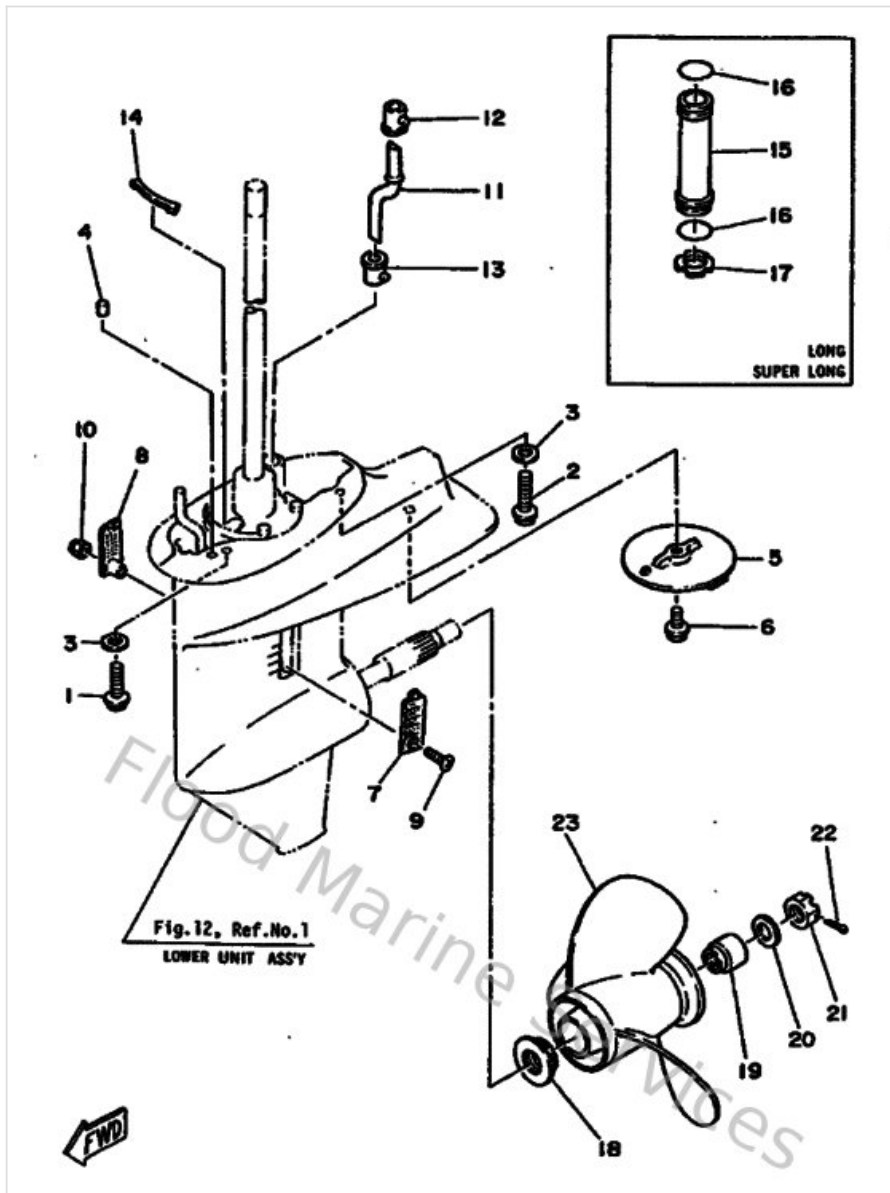
# Lower Casing & Drive 1



| Ref | Part  |                         |
|-----|---|-------------------------|
| 48  | <a href="#">933060060600</a><br>Bearing(2hr)              | <a href="#">Buy now</a> |
| 49  | <a href="#">664455776000</a><br>Shim (t:0.50mm)           | <a href="#">Buy now</a> |
| 50  | <a href="#">664455760000</a><br>Washer, thrust 2          | <a href="#">Buy now</a> |
| 51  | <a href="#">9321060MA300</a><br>O-ring(6j8)               | <a href="#">Buy now</a> |
| 52  | <a href="#">933152200400</a><br>Brg,cyl-cal roller 21g nt | <a href="#">Buy now</a> |
| 53  | <a href="#">9310120M0700</a><br>Oil seal                  | <a href="#">Buy now</a> |
| 54  | <a href="#">9021445M0000</a><br>Washer, claw(6a9)         | <a href="#">Buy now</a> |
| 55  | <a href="#">664453840200</a><br>Nut                       | <a href="#">Buy now</a> |
| 56  | <a href="#">902820401000</a><br>Key, strait(663)          | <a href="#">Buy now</a> |
| 57  | <a href="#">689443160000</a><br>Gasket, water pump        | <a href="#">Buy now</a> |
| 58  | <a href="#">689W00012200</a><br>Gasket kit, lower unit    | <a href="#">Buy now</a> |
| 59  | <a href="#">689W0078A600</a><br>Water pump repair kit     | <a href="#">Buy now</a> |
| 60  | <a href="#">689W00783A00</a><br>Chrome pump kit           | <a href="#">Buy now</a> |
| 61  | <a href="#">689W44326100</a><br>Insert cartridge comp.    | <a href="#">Buy now</a> |
| 63  | <a href="#">689443234300</a><br>Outer plate, cartridge    | <a href="#">Buy now</a> |



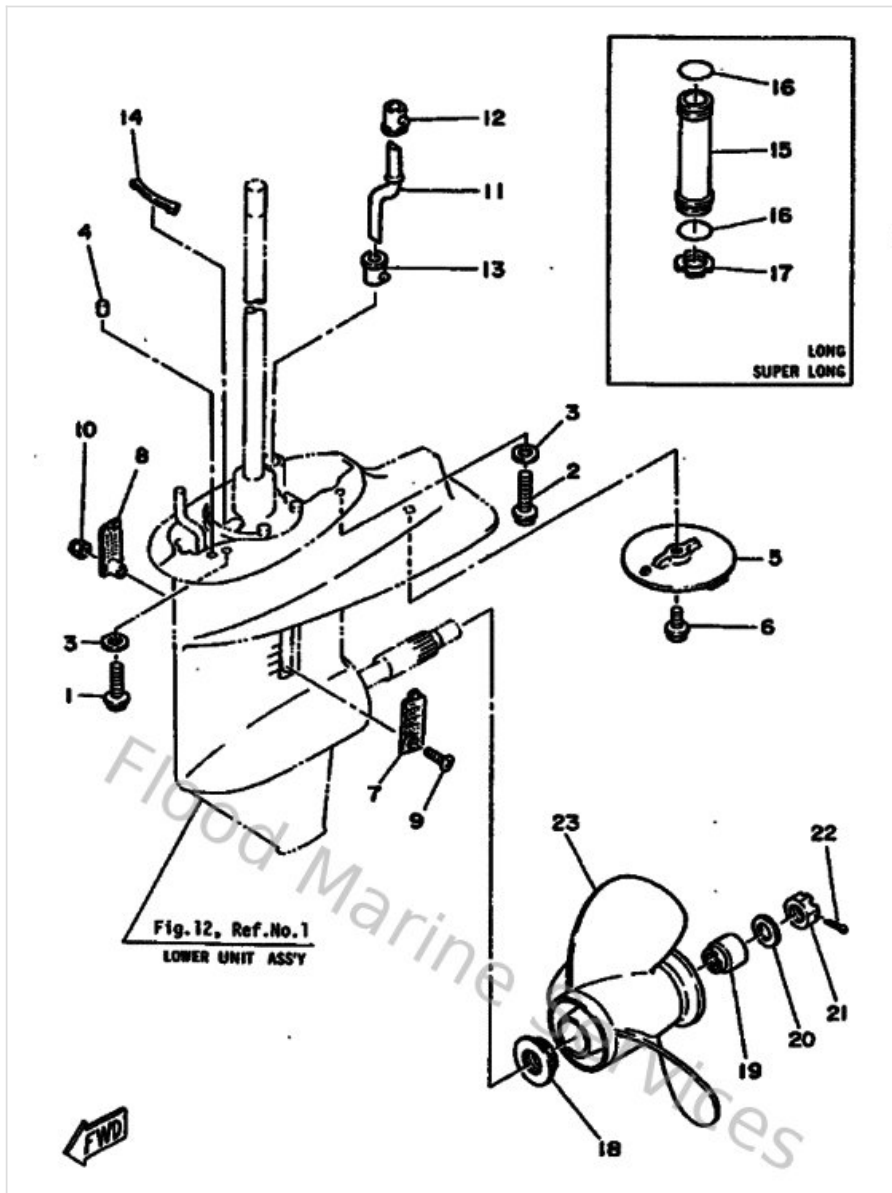
## Lower Casing & Drive 2



| Ref | Part  |                         |
|-----|---|-------------------------|
| 1   | <a href="#">901051005900</a><br>Bolt washer based (664)   | <a href="#">Buy now</a> |
| 2   | <a href="#">9010510M1200</a><br>Bolt (689)                | <a href="#">Buy now</a> |
| 3   | <a href="#">929901060000</a><br>Washer, plate             | <a href="#">Buy now</a> |
| 4   | <a href="#">936061201900</a><br>Pin, dowel (614)          | <a href="#">Buy now</a> |
| 5   | <a href="#">664453710100</a><br>Tab-trim                  | <a href="#">Buy now</a> |
| 6   | <a href="#">9010508M0200</a><br>Bolt hexagon              | <a href="#">Buy now</a> |
| 7   | <a href="#">689452140100</a><br>Cover, water inlet 1      | <a href="#">Buy now</a> |
| 8   | <a href="#">689452150100</a><br>Cover Water Inlet 2       | <a href="#">Buy now</a> |
| 9   | <a href="#">986800552500</a><br>Ybs53-525 screw,flat head | <a href="#">Buy now</a> |
| 10  | <a href="#">901850500200</a><br>Nut nylon (sus)(ex4)      | <a href="#">Buy now</a> |
| 11  | <a href="#">689443612000</a><br>Tube, Water 1             | <a href="#">Buy now</a> |
| 12  | <a href="#">689443660000</a><br>Damper, water seal 2      | <a href="#">Buy now</a> |
| 13  | <a href="#">626443650100</a><br>Damper, water seal 1      | <a href="#">Buy now</a> |
| 14  | <a href="#">689443140000</a><br>Spacer                    | <a href="#">Buy now</a> |
| 15  | <a href="#">689443620094</a><br>Tube, Water 2             | <a href="#">Buy now</a> |

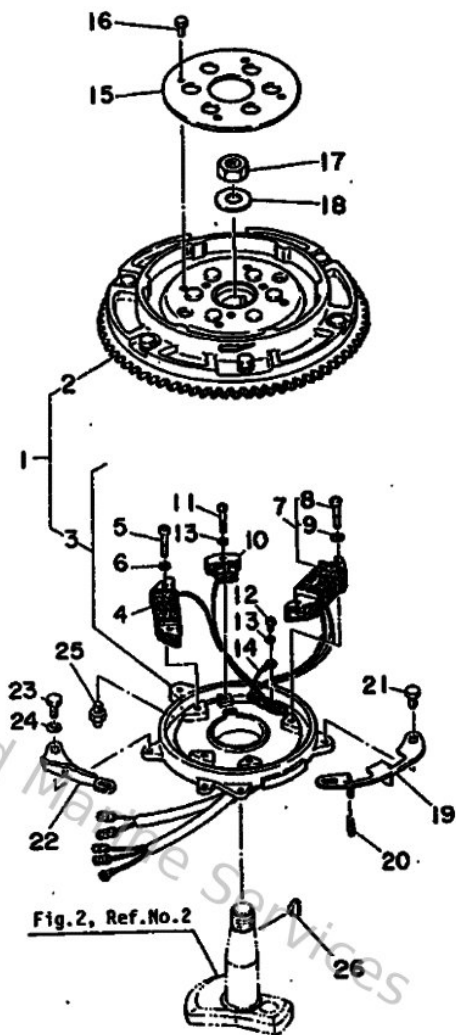


# Lower Casing & Drive 2



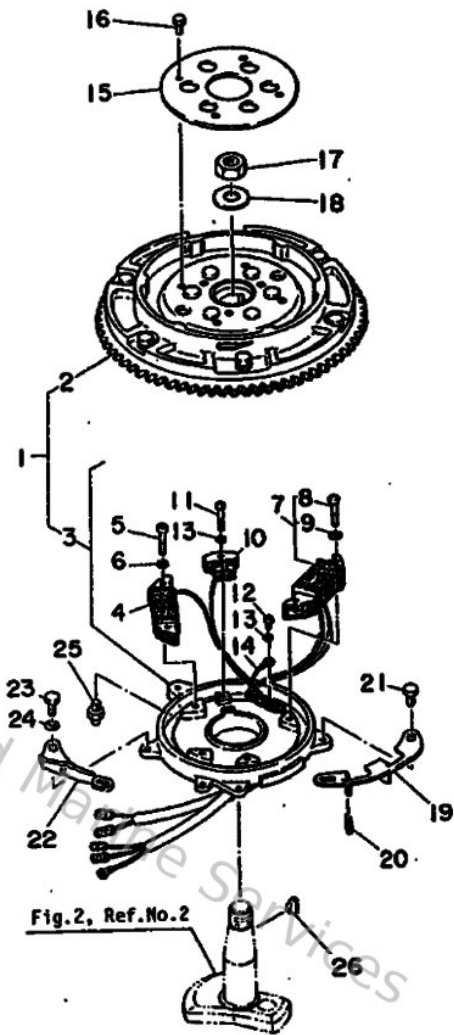
| Ref | Part   |                         |
|-----|--|-------------------------|
| 16  | <a href="#">932102624000</a><br>O-ring                     | <a href="#">Buy now</a> |
| 17  | <a href="#">689443280200</a><br>Plate                      | <a href="#">Buy now</a> |
| 18  | <a href="#">664459870000</a><br>Spacer                     | <a href="#">Buy now</a> |
| 19  | <a href="#">689459970000</a><br>Spacer                     | <a href="#">Buy now</a> |
| 20  | <a href="#">929901420000</a><br>Washer, plain              | <a href="#">Buy now</a> |
| 21  | <a href="#">901711401300</a><br>Nut(664)                   | <a href="#">Buy now</a> |
| 22  | <a href="#">914903003000</a><br>Pin, cotter                | <a href="#">Buy now</a> |
| 23  | <a href="#">664459520036</a><br>Propeller (3x9-7/8 x14 -f) | <a href="#">Buy now</a> |

# Magneto



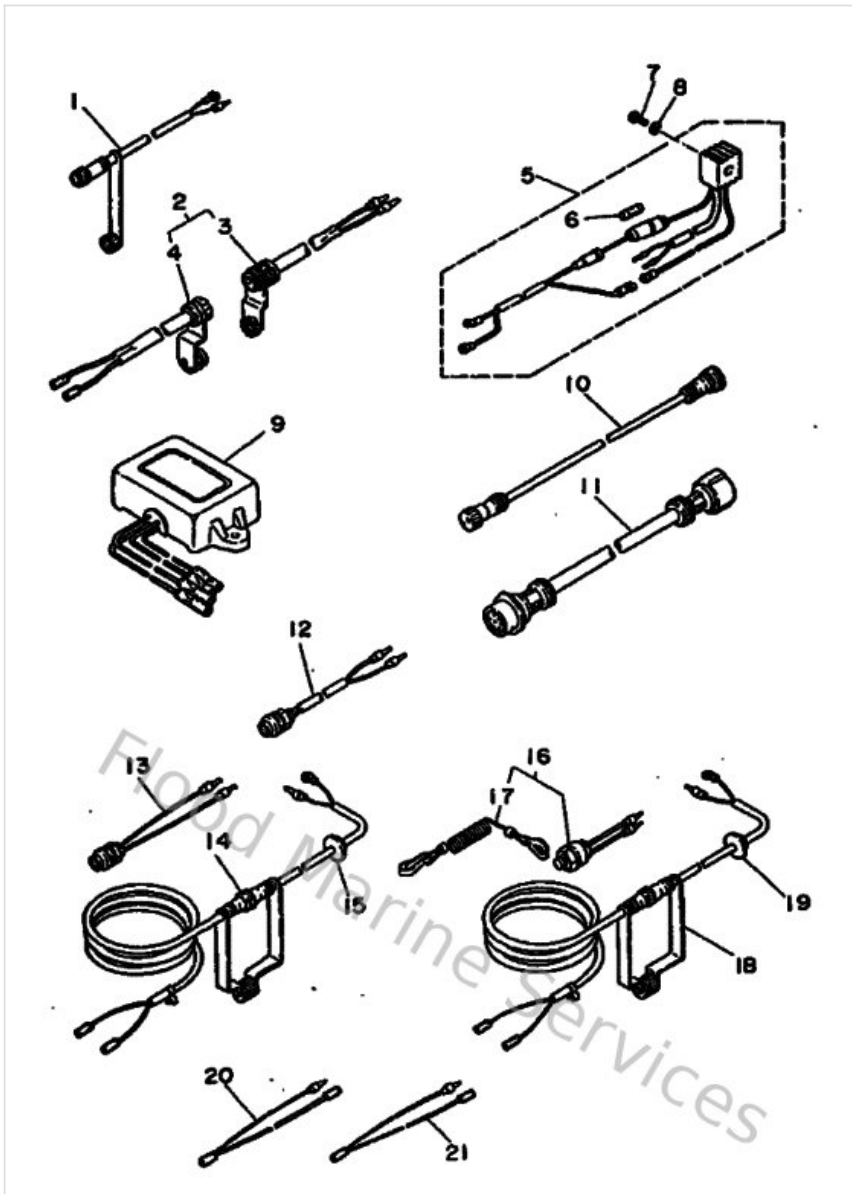
| Ref | Part   |                         |
|-----|--|-------------------------|
| 3   | <a href="#">68985560A000</a><br>Base assembly          | <a href="#">Buy now</a> |
| 4   | <a href="#">689813114000</a><br>Coil, source           | <a href="#">Buy now</a> |
| 5   | <a href="#">985010502500</a><br>Screw, panhead (a93)   | <a href="#">Buy now</a> |
| 6   | <a href="#">929010510000</a><br>Ybs67-5 washer, spring | <a href="#">Buy now</a> |
| 9   | <a href="#">929900510000</a><br>Ybs67-5 washer, spring | <a href="#">Buy now</a> |
| 10  | <a href="#">689855804000</a><br>Coil, Pulser           | <a href="#">Buy now</a> |
| 11  | <a href="#">985010402500</a><br>Screw, pan head        | <a href="#">Buy now</a> |
| 12  | <a href="#">985010400600</a><br>Screw, pan head        | <a href="#">Buy now</a> |
| 13  | <a href="#">929900410000</a><br>Ybs67-4 washer, spring | <a href="#">Buy now</a> |
| 16  | <a href="#">973130801200</a><br>Bolt(62e)              | <a href="#">Buy now</a> |
| 17  | <a href="#">9017916M0500</a><br>Nut (689)              | <a href="#">Buy now</a> |
| 18  | <a href="#">9020116M4400</a><br>Washer (689)           | <a href="#">Buy now</a> |
| 19  | <a href="#">689416158000</a><br>Stopper, Magneto Base  | <a href="#">Buy now</a> |
| 20  | <a href="#">689441940000</a><br>Cap                    | <a href="#">Buy now</a> |
| 21  | <a href="#">970850601000</a><br>Bolt                   | <a href="#">Buy now</a> |

# Magneto



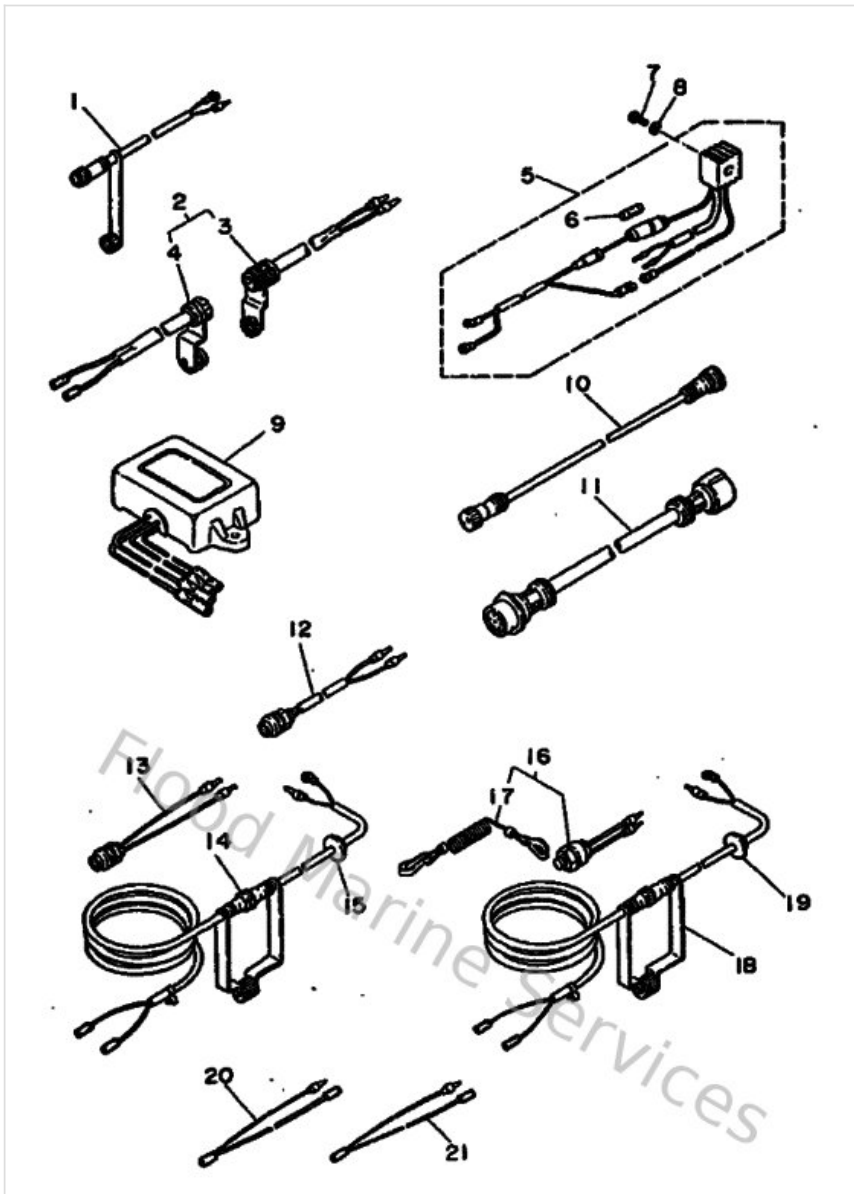
| Ref | Part  |                         |
|-----|---|-------------------------|
| 23  | <a href="#">973130501000</a><br>Bolt, hexagon       | <a href="#">Buy now</a> |
| 24  | <a href="#">929030560000</a><br>Washer, plain (646) | <a href="#">Buy now</a> |
| 25  | <a href="#">663855180000</a><br>Joint, ball         | <a href="#">Buy now</a> |
| 26  | <a href="#">902800501500</a><br>Key, woodruff       | <a href="#">Buy now</a> |

## Optional Parts 1



| Ref | Part   |                         |
|-----|--|-------------------------|
| 1   | <a href="#">68984340000</a><br>Socket cord ass'y 1         | <a href="#">Buy now</a> |
| 2   | <a href="#">68284380000</a><br>2p concent assembly         | <a href="#">Buy now</a> |
| 3   | <a href="#">68284381000</a><br>2p concent 1                | <a href="#">Buy now</a> |
| 4   | <a href="#">68284382000</a><br>2p concent 2                | <a href="#">Buy now</a> |
| 5   | <a href="#">67681970000</a><br>Rectifier assembly          | <a href="#">Buy now</a> |
| 6   | <a href="#">682821510100</a><br>Fuse                       | <a href="#">Buy now</a> |
| 7   | <a href="#">978030502500</a><br>Screw, panhead (a93)       | <a href="#">Buy now</a> |
| 8   | <a href="#">929030560000</a><br>Washer, plain (646)        | <a href="#">Buy now</a> |
| 9   | <a href="#">663819101000</a><br>Voltage Regulator assembly | <a href="#">Buy now</a> |
| 10  | <a href="#">689825531000</a><br>Extension, wire lead       | <a href="#">Buy now</a> |
| 11  | <a href="#">688825861100</a><br>Extension, wire harness    | <a href="#">Buy now</a> |
| 12  | <a href="#">689825500100</a><br>Stop switch assembly       | <a href="#">Buy now</a> |
| 13  | <a href="#">689825501100</a><br>Stop switch assembly       | <a href="#">Buy now</a> |
| 14  | <a href="#">689825532000</a><br>Extension, wire lead       | <a href="#">Buy now</a> |
| 15  | <a href="#">689427254000</a><br>Grommet                    | <a href="#">Buy now</a> |

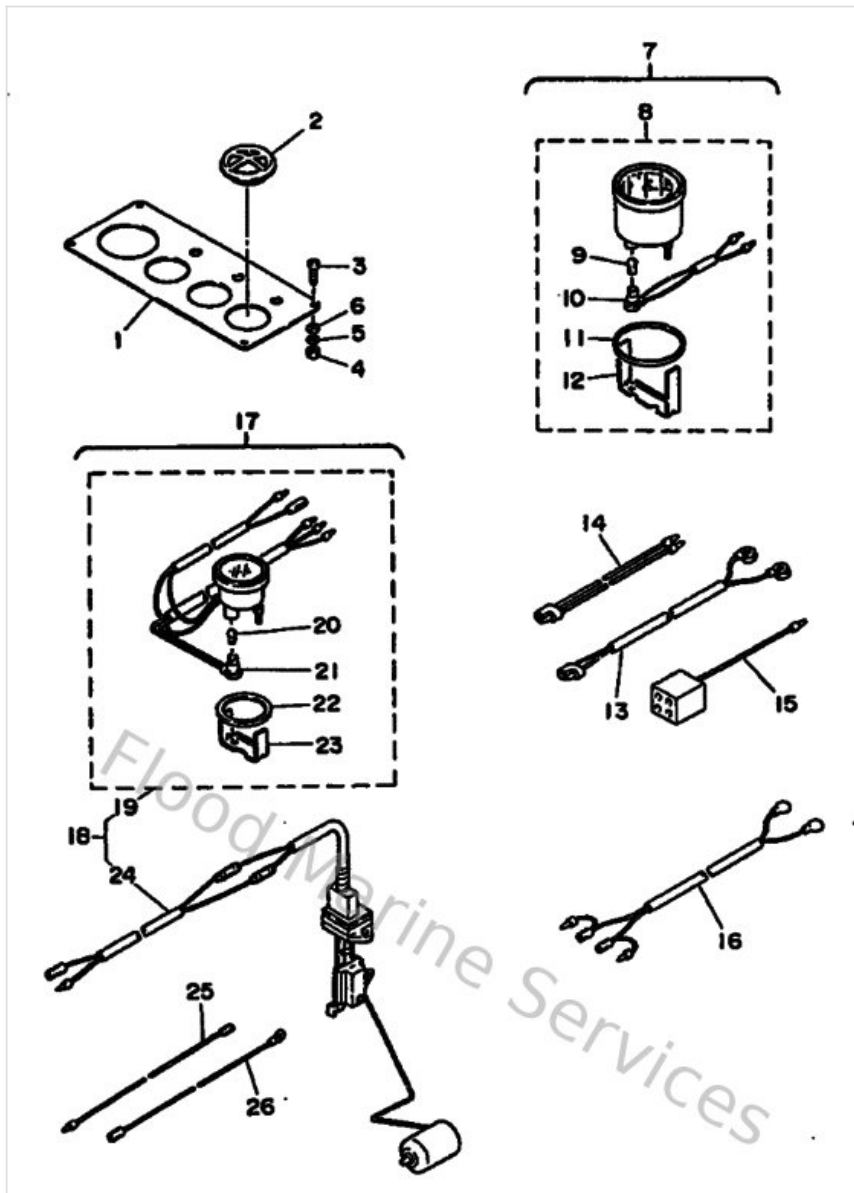
# Optional Parts 1



| Ref | Part  |                         |
|-----|---|-------------------------|
| 16  | <a href="#">689825751200</a><br>Engine stop switch assembly | <a href="#">Buy now</a> |
| 17  | <a href="#">682825560000</a><br>Lanyard, stop switch        | <a href="#">Buy now</a> |

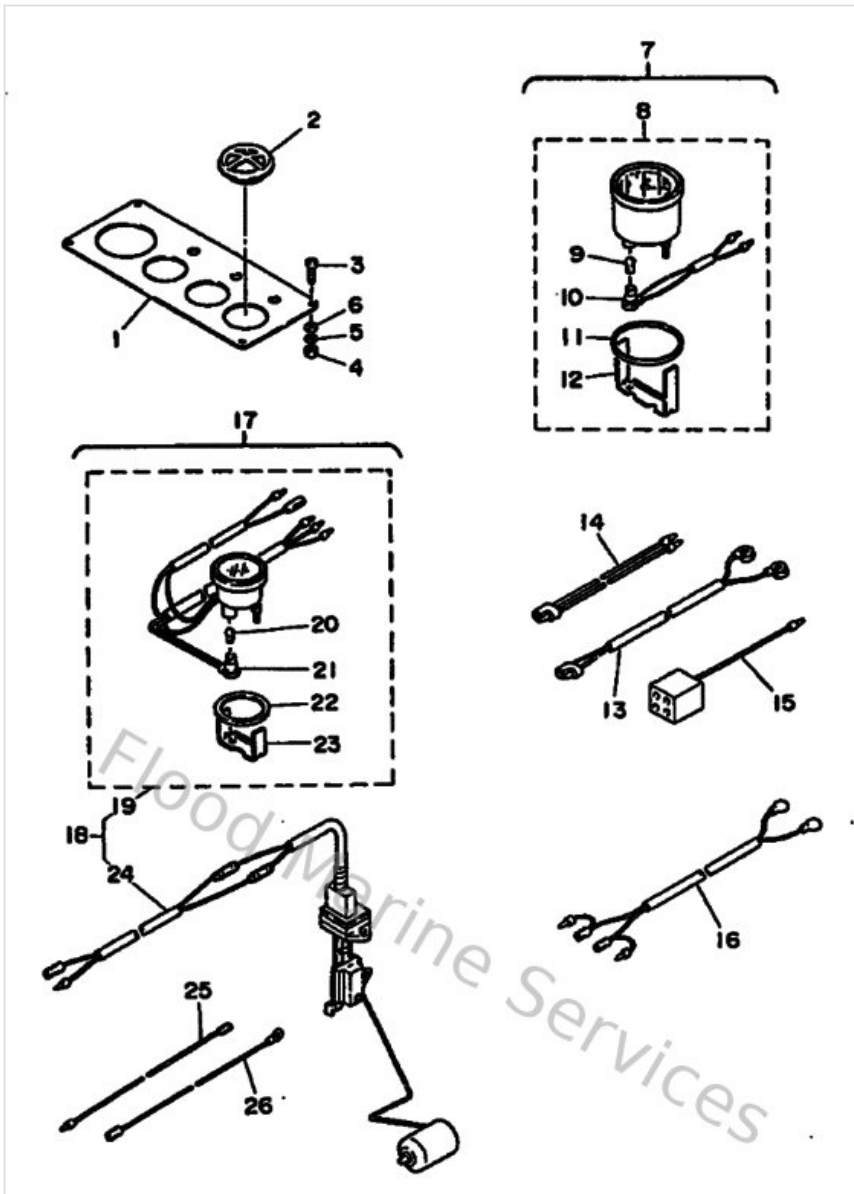


## Optional Parts 2



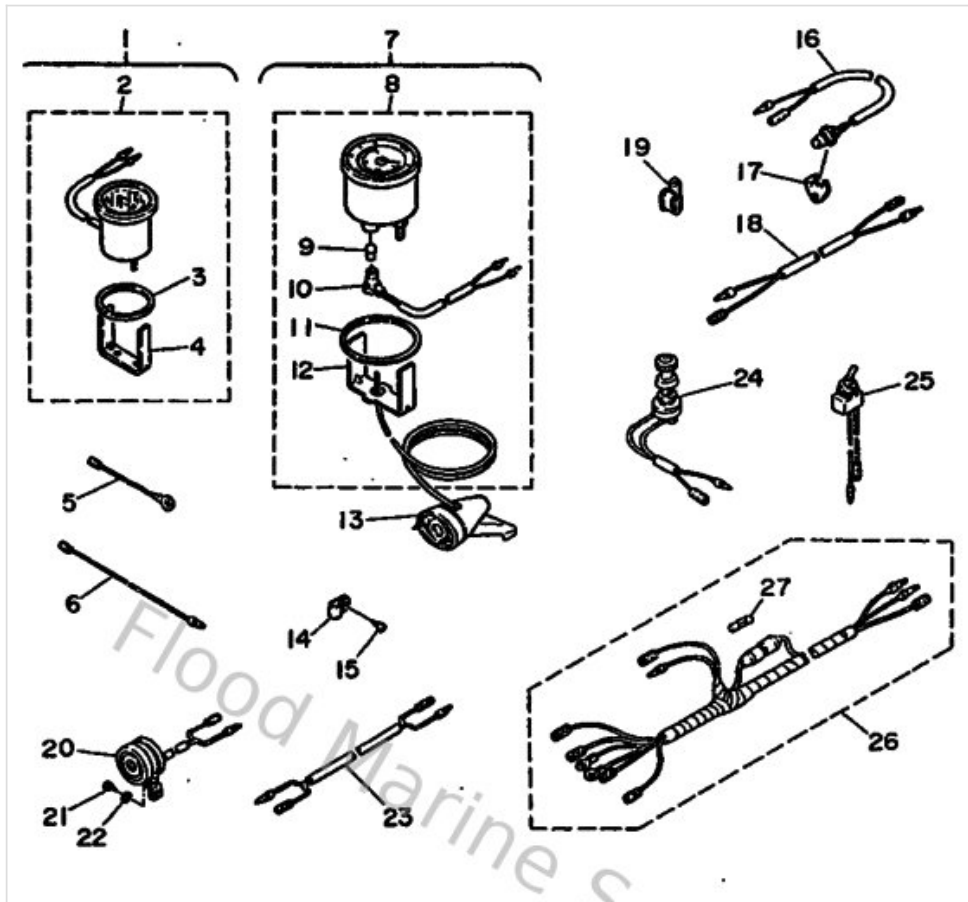
| Ref | Part   |                         |
|-----|--|-------------------------|
| 1   | <a href="#">688836110000</a><br>Panel, meter                     | <a href="#">Buy now</a> |
| 2   | <a href="#">688835590000</a><br>Cover, meter                     | <a href="#">Buy now</a> |
| 3   | <a href="#">989030502500</a><br>Screw, bind                      | <a href="#">Buy now</a> |
| 4   | <a href="#">953030560000</a><br>Nut, hexagon (663)               | <a href="#">Buy now</a> |
| 5   | <a href="#">929900510000</a><br>Ybs67-5 washer, spring           | <a href="#">Buy now</a> |
| 6   | <a href="#">929030560000</a><br>Washer, plain (646)              | <a href="#">Buy now</a> |
| 8   | <a href="#">688835400000</a><br>Tachometer assembly              | <a href="#">Buy now</a> |
| 9   | <a href="#">688835160000</a><br>Bulb, pilot (t6.5, 12v-1.7w)     | <a href="#">Buy now</a> |
| 10  | <a href="#">688835360000</a><br>Socket, meter                    | <a href="#">Buy now</a> |
| 12  | <a href="#">688835440000</a><br>Plate, Fitting                   | <a href="#">Buy now</a> |
| 16  | <a href="#">689835532000</a><br>Wire, lead                       | <a href="#">Buy now</a> |
| 19  | <a href="#">688857510000</a><br>Fuel Gauge                       | <a href="#">Buy now</a> |
| 22  | <a href="#">688836640000</a><br>Damper                           | <a href="#">Buy now</a> |
| 24  | <a href="#">688857520100</a><br>Sender unit assembly, fuel meter | <a href="#">Buy now</a> |
| 25  | <a href="#">66383553Y000</a><br>Wire, lead                       | <a href="#">Buy now</a> |

## Optional Parts 2



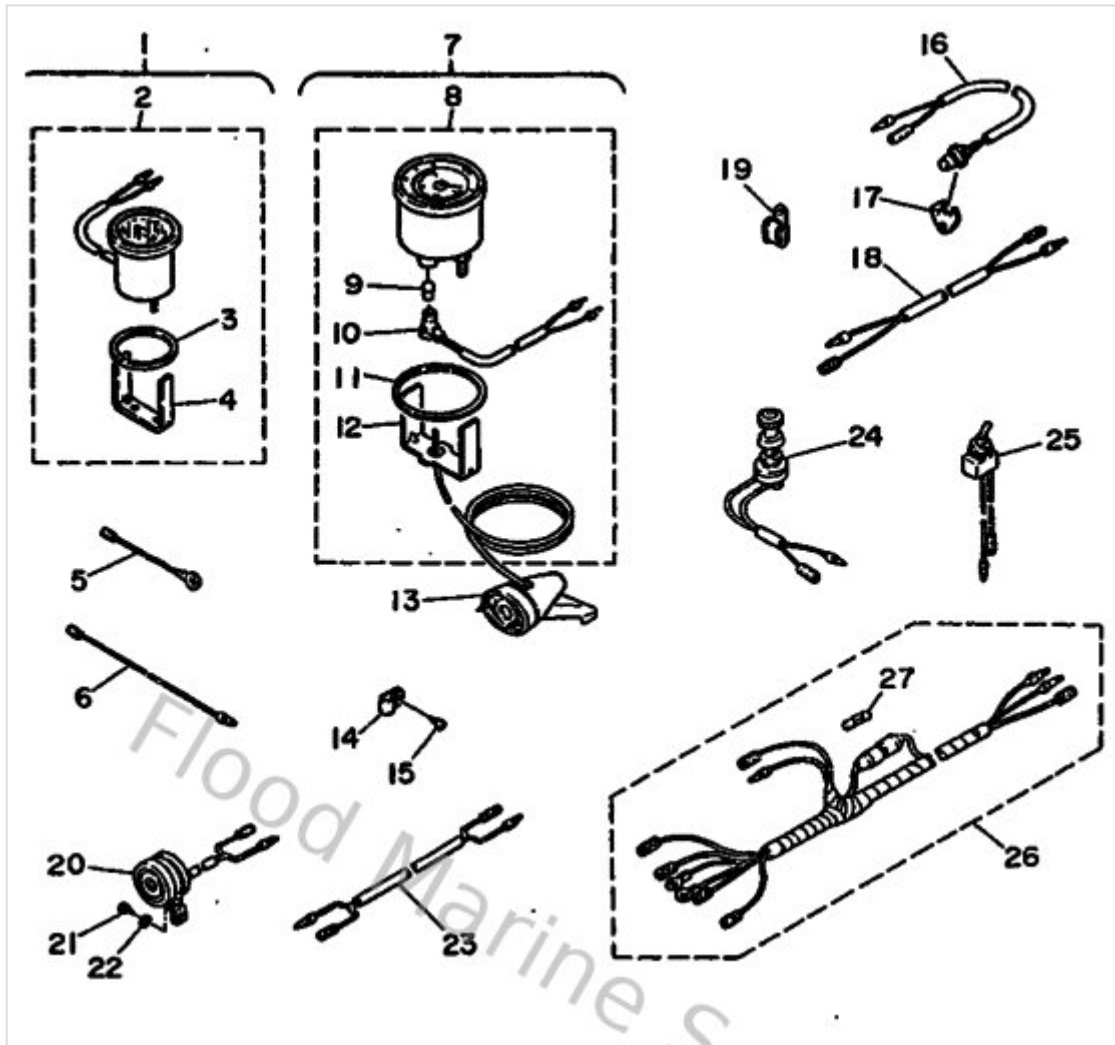
| Ref | Part                                       |                         |
|-----|--|-------------------------|
| 26  | <a href="#">66383553A000</a><br>Wire, lead | <a href="#">Buy now</a> |

## Optional Parts 3



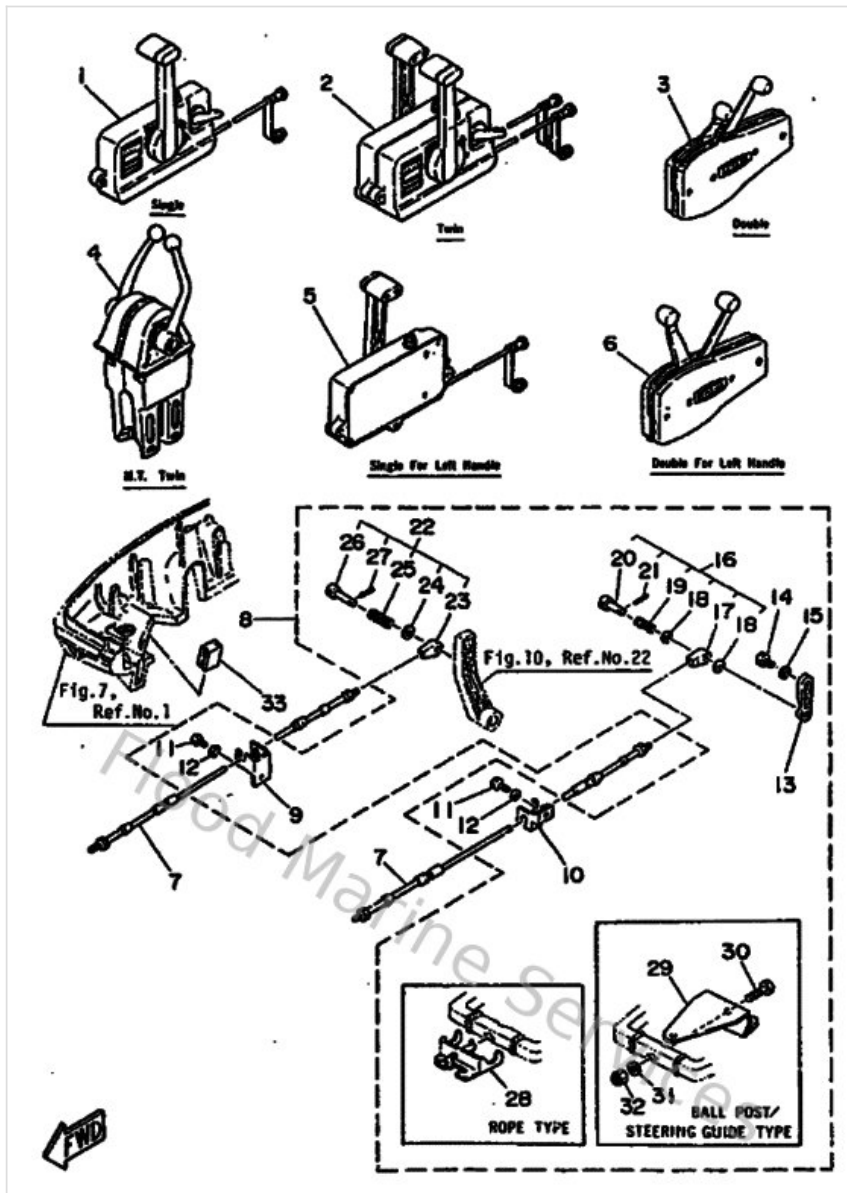
| Ref | Part  |                         |
|-----|---|-------------------------|
| 2   | <a href="#">688835040000</a><br>Hour Meter assembly           | <a href="#">Buy now</a> |
| 3   | <a href="#">688836640000</a><br>Damper                        | <a href="#">Buy now</a> |
| 5   | <a href="#">66383553A000</a><br>Wire, lead                    | <a href="#">Buy now</a> |
| 6   | <a href="#">66383553Y000</a><br>Wire, lead                    | <a href="#">Buy now</a> |
| 8   | <a href="#">688835100100</a><br>Speedometer assembly          | <a href="#">Buy now</a> |
| 9   | <a href="#">688835160000</a><br>Bulb, pilot (t6.5, 12v-1.7w)  | <a href="#">Buy now</a> |
| 10  | <a href="#">688835360000</a><br>Socket, meter                 | <a href="#">Buy now</a> |
| 13  | <a href="#">688835560100</a><br>Sender (with hose l:6m/d:4mm) | <a href="#">Buy now</a> |
| 14  | <a href="#">906013140200</a><br>021-58119-01 clip,nylon 14    | <a href="#">Buy now</a> |
| 15  | <a href="#">977804011600</a><br>Screw,panh.tapping            | <a href="#">Buy now</a> |
| 16  | <a href="#">688825600000</a><br>Thermo switch assembly        | <a href="#">Buy now</a> |
| 17  | <a href="#">689825880000</a><br>Plate                         | <a href="#">Buy now</a> |
| 18  | <a href="#">689825090000</a><br>Wire, lead                    | <a href="#">Buy now</a> |
| 19  | <a href="#">9046106M0000</a><br>Clamp (6a4)                   | <a href="#">Buy now</a> |
| 20  | <a href="#">688833831000</a><br>Buzzer                        | <a href="#">Buy now</a> |

## Optional Parts 3



| Ref | Part   |                         |
|-----|--|-------------------------|
| 21  | <a href="#">977806051600</a><br>Screw, panhead tapping (j20) | <a href="#">Buy now</a> |
| 22  | <a href="#">929900560000</a><br>Washer, plain (646)          | <a href="#">Buy now</a> |
| 23  | <a href="#">688833731000</a><br>Lead, horn                   | <a href="#">Buy now</a> |
| 24  | <a href="#">688825200000</a><br>Lamp switch assembly         | <a href="#">Buy now</a> |
| 25  | <a href="#">688825260000</a><br>Switch, lamp                 | <a href="#">Buy now</a> |
| 26  | <a href="#">688835531000</a><br>Wire, lead                   | <a href="#">Buy now</a> |
| 27  | <a href="#">1E6821510000</a><br>Fuse (10a)                   | <a href="#">Buy now</a> |

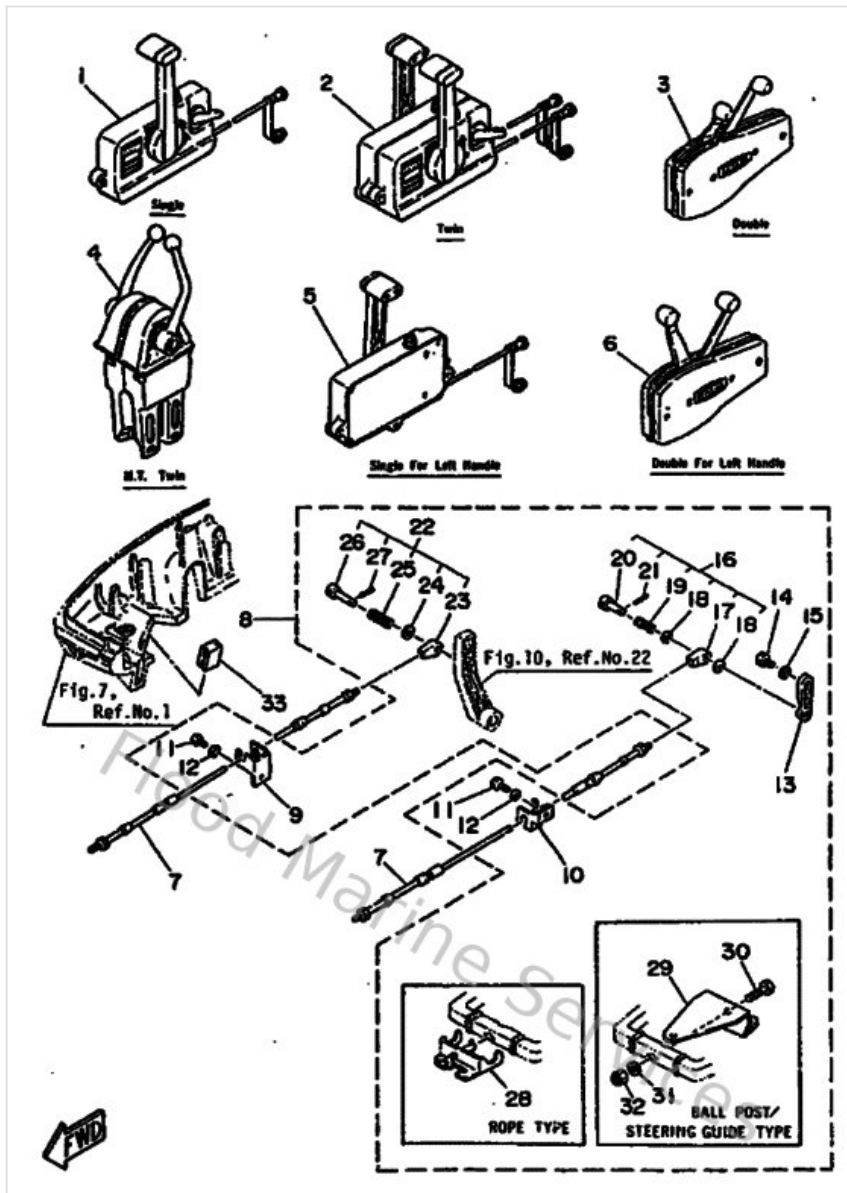
# Remote Control



| Ref | Part  |                         |
|-----|---|-------------------------|
| 1   | <a href="#">701481011000</a><br>Remote control assembly     | <a href="#">Buy now</a> |
| 2   | <a href="#">701481102200</a><br>Remote Control assembly     | <a href="#">Buy now</a> |
| 5   | <a href="#">701481021000</a><br>Remote control assembly     | <a href="#">Buy now</a> |
| 7   | <a href="#">701483200000</a><br>Cable, Remote Control L=12F | <a href="#">Buy now</a> |
| 9   | <a href="#">689485315100</a><br>Bracket, remote control 1   | <a href="#">Buy now</a> |
| 10  | <a href="#">656485325000</a><br>Bracket, remote control 2   | <a href="#">Buy now</a> |
| 11  | <a href="#">973950601600</a><br>Bolt, hexagon deep recess   | <a href="#">Buy now</a> |
| 12  | <a href="#">929900660000</a><br>Washer, plain (646)         | <a href="#">Buy now</a> |
| 13  | <a href="#">6484853450EJ</a><br>Throttle Lever, Con Control | <a href="#">Buy now</a> |
| 14  | <a href="#">970800601200</a><br>Bolt(gh1)                   | <a href="#">Buy now</a> |
| 16  | <a href="#">679483409000</a><br>Cable end assembly          | <a href="#">Buy now</a> |
| 18  | <a href="#">929900820000</a><br>Ybs66-8 washer, plain       | <a href="#">Buy now</a> |
| 19  | <a href="#">905011026400</a><br>Spring 6174833290           | <a href="#">Buy now</a> |
| 20  | <a href="#">617483619100</a><br>Hook, cable                 | <a href="#">Buy now</a> |
| 21  | <a href="#">916903001200</a><br>Pin, spring                 | <a href="#">Buy now</a> |

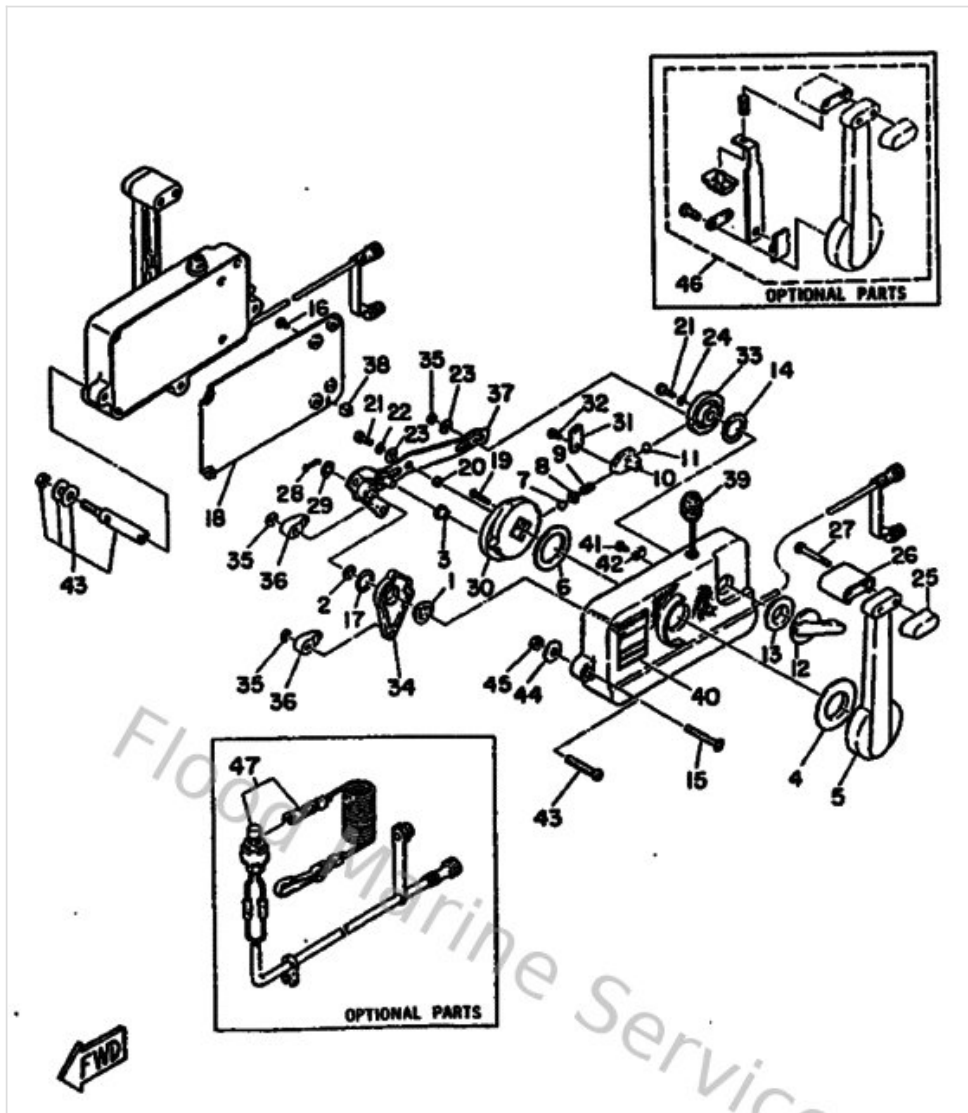


# Remote Control



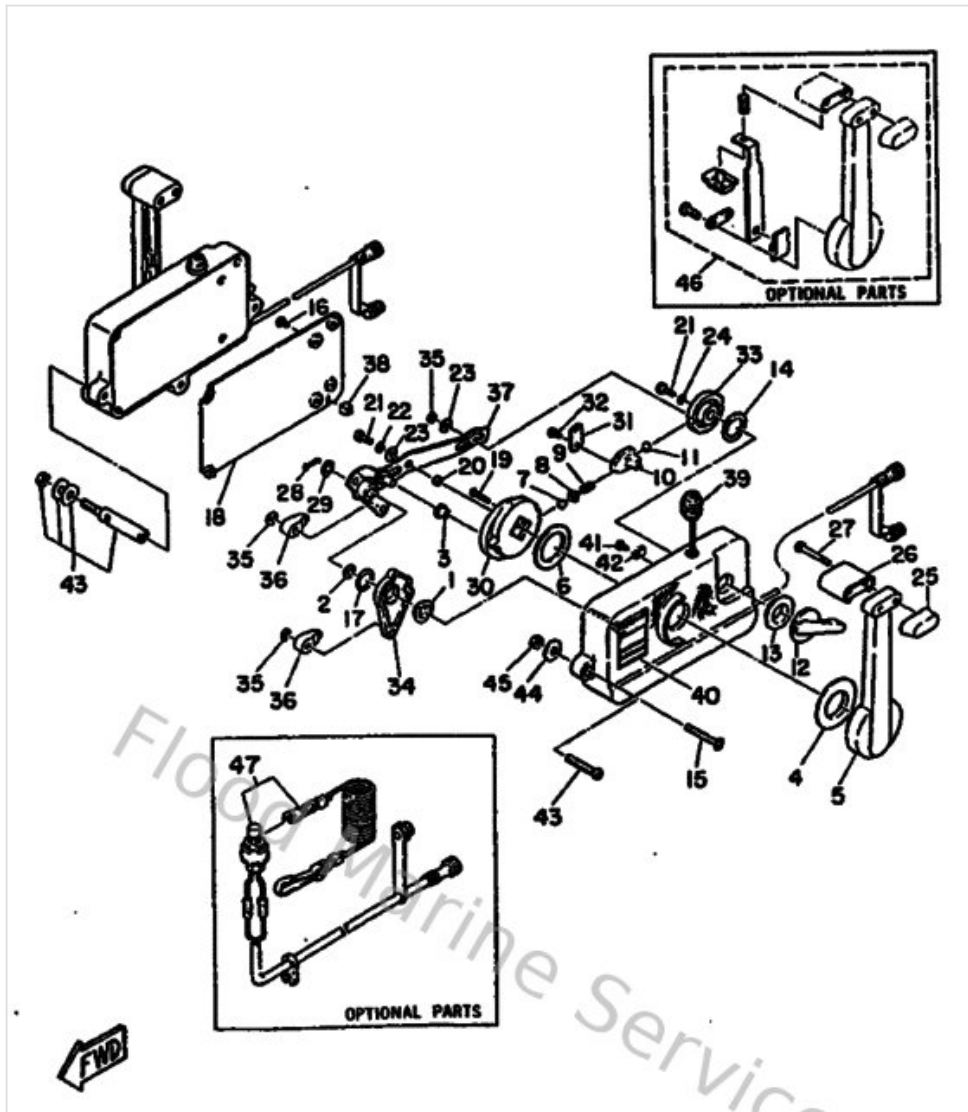
| Ref | Part   |                         |
|-----|--|-------------------------|
| 22  | <a href="#">648483305000</a><br>Cable end assembly         | <a href="#">Buy now</a> |
| 23  | <a href="#">648483465000</a><br>Cable,end remote control 3 | <a href="#">Buy now</a> |
| 25  | <a href="#">905011007100</a><br>Spring 6044833200          | <a href="#">Buy now</a> |
| 26  | <a href="#">617483319100</a><br>Hook, cable                | <a href="#">Buy now</a> |
| 28  | <a href="#">700485101200</a><br>Hook steering assembly     | <a href="#">Buy now</a> |
| 29  | <a href="#">689485110000</a><br>Hook, steering             | <a href="#">Buy now</a> |
| 30  | <a href="#">970751004000</a><br>Bolt, hexagon deep recess  | <a href="#">Buy now</a> |
| 31  | <a href="#">929901060000</a><br>Washer, plate              | <a href="#">Buy now</a> |
| 32  | <a href="#">901851005100</a><br>Nut, self-locking          | <a href="#">Buy now</a> |
| 33  | <a href="#">676427244000</a><br>Grommet 1                  | <a href="#">Buy now</a> |

# Remote Control Assy



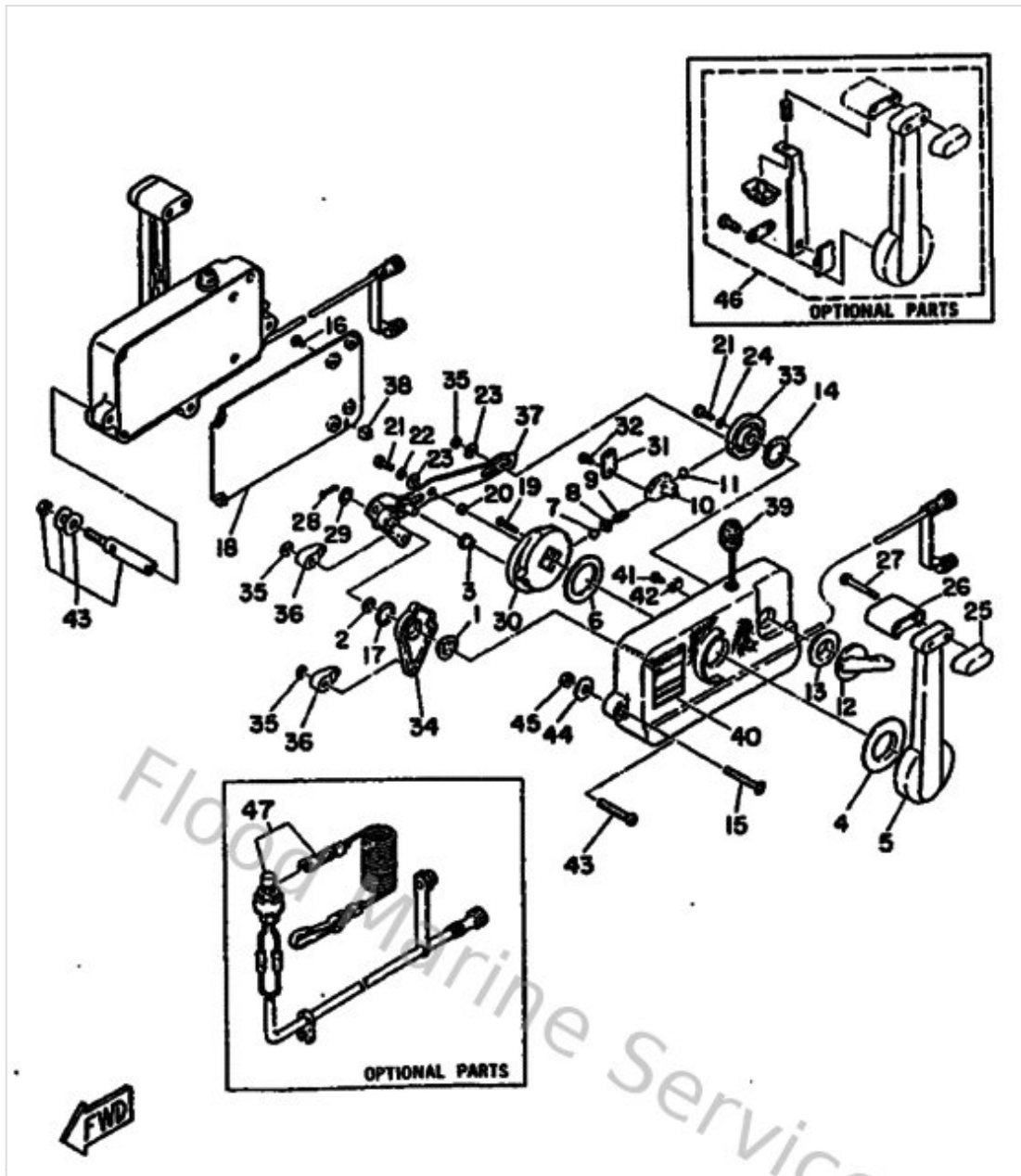
| Ref | Part  |                         |
|-----|---|-------------------------|
| 1   | <a href="#">701481011000</a><br>Remote control assembly | <a href="#">Buy now</a> |
| 2   | <a href="#">701481971000</a><br>Washer, wave 2          | <a href="#">Buy now</a> |
| 3   | <a href="#">701482520000</a><br>Roller, cam             | <a href="#">Buy now</a> |
| 4   | <a href="#">701482340000</a><br>Bushing 1               | <a href="#">Buy now</a> |
| 5   | <a href="#">701482210000</a><br>Lever, control          | <a href="#">Buy now</a> |
| 6   | <a href="#">701481961100</a><br>Washer, wave 1          | <a href="#">Buy now</a> |
| 7   | <a href="#">701482360000</a><br>Roller, detent          | <a href="#">Buy now</a> |
| 8   | <a href="#">702482370000</a><br>Adaptor                 | <a href="#">Buy now</a> |
| 9   | <a href="#">702482380000</a><br>Spring, Detent          | <a href="#">Buy now</a> |
| 10  | <a href="#">701482490000</a><br>Spring, adapter         | <a href="#">Buy now</a> |
| 11  | <a href="#">701482480000</a><br>Roller, free accel      | <a href="#">Buy now</a> |
| 12  | <a href="#">701481521100</a><br>Knob, free accel        | <a href="#">Buy now</a> |
| 13  | <a href="#">701482430000</a><br>Bushing                 | <a href="#">Buy now</a> |
| 14  | <a href="#">701481981000</a><br>Washer, wave 3          | <a href="#">Buy now</a> |
| 15  | <a href="#">701482810000</a><br>Screw                   | <a href="#">Buy now</a> |

# Remote Control Assy



| Ref | Part  |                         |
|-----|---|-------------------------|
| 16  | <a href="#">978850501000</a><br>Screw, pan head(62x)  | <a href="#">Buy now</a> |
| 17  | <a href="#">701482680000</a><br>Spacer 3              | <a href="#">Buy now</a> |
| 18  | <a href="#">701482130000</a><br>Back, plate           | <a href="#">Buy now</a> |
| 19  | <a href="#">987800602500</a><br>Screw flat head       | <a href="#">Buy now</a> |
| 20  | <a href="#">701482550000</a><br>Coller 1              | <a href="#">Buy now</a> |
| 21  | <a href="#">973950601800</a><br>Bolt (fj0)            | <a href="#">Buy now</a> |
| 23  | <a href="#">701482460000</a><br>Spacer                | <a href="#">Buy now</a> |
| 24  | <a href="#">929900630000</a><br>Washer, tooth         | <a href="#">Buy now</a> |
| 25  | <a href="#">701482290000</a><br>Grip, control lever 2 | <a href="#">Buy now</a> |
| 26  | <a href="#">701482220000</a><br>Grip, control lever   | <a href="#">Buy now</a> |
| 27  | <a href="#">985800555500</a><br>Screw, pan head       | <a href="#">Buy now</a> |
| 28  | <a href="#">701482390000</a><br>Set Pin, Plate        | <a href="#">Buy now</a> |
| 29  | <a href="#">701482660000</a><br>Spacer 2              | <a href="#">Buy now</a> |
| 30  | <a href="#">701482320000</a><br>Gear 1                | <a href="#">Buy now</a> |
| 31  | <a href="#">701481891100</a><br>Retainer              | <a href="#">Buy now</a> |

# Remote Control Assy



| Ref | Part  |                         |
|-----|---|-------------------------|
| 33  | <a href="#">701481531200</a><br>Shaft, free accel           | <a href="#">Buy now</a> |
| 34  | <a href="#">701482710000</a><br>Arm, shift                  | <a href="#">Buy now</a> |
| 35  | <a href="#">934300602400</a><br>Circlip (701)               | <a href="#">Buy now</a> |
| 36  | <a href="#">703483450100</a><br>Cable end, remote control 2 | <a href="#">Buy now</a> |
| 37  | <a href="#">701482611000</a><br>Arm, throttle               | <a href="#">Buy now</a> |
| 38  | <a href="#">701483580000</a><br>Anchor, cable               | <a href="#">Buy now</a> |
| 39  | <a href="#">701825505000</a><br>Engine Stop Switch assembly | <a href="#">Buy now</a> |
| 41  | <a href="#">701482830000</a><br>Screw 3                     | <a href="#">Buy now</a> |
| 42  | <a href="#">701825940000</a><br>Clamp                       | <a href="#">Buy now</a> |
| 43  | <a href="#">701482910000</a><br>Attachment                  | <a href="#">Buy now</a> |
| 44  | <a href="#">701482870000</a><br>Washer 1                    | <a href="#">Buy now</a> |
| 45  | <a href="#">953800660000</a><br>Nut(661)                    | <a href="#">Buy now</a> |
| 46  | <a href="#">701482800000</a><br>Neutral lock kit            | <a href="#">Buy now</a> |
| 47  | <a href="#">701825755100</a><br>Engine stop switch assembly | <a href="#">Buy now</a> |

# Repair Kit



Flood Marine Services

999999-9999

| Ref | Part   |                         |
|-----|--|-------------------------|
| 1   | <a href="#">689W00930000</a><br>Carburetor repair kit  | <a href="#">Buy now</a> |
| 2   | <a href="#">648141980000</a><br>Gasket                 | <a href="#">Buy now</a> |
| 3   | <a href="#">648143840100</a><br>Gasket,float chamber   | <a href="#">Buy now</a> |
| 4   | <a href="#">648143850000</a><br>Float                  | <a href="#">Buy now</a> |
| 5   | <a href="#">985010401200</a><br>Screw, pan head        | <a href="#">Buy now</a> |
| 6   | <a href="#">929900410000</a><br>Ybs67-4 washer, spring | <a href="#">Buy now</a> |
| 7   | <a href="#">648143901400</a><br>Needle valve assembly  | <a href="#">Buy now</a> |
| 8   | <a href="#">647143230000</a><br>Screw, air adjusting   | <a href="#">Buy now</a> |
| 9   | <a href="#">903860500200</a><br>Bush 626412910000      | <a href="#">Buy now</a> |
| 10  | <a href="#">646143970000</a><br>Ring O (664)           | <a href="#">Buy now</a> |
| 11  | <a href="#">689W00010200</a><br>Power Head Gasket Kit  | <a href="#">Buy now</a> |
| 12  | <a href="#">9321162M2400</a><br>O-Ring (689)           | <a href="#">Buy now</a> |
| 13  | <a href="#">64813621A100</a><br>Gasket, valve seat     | <a href="#">Buy now</a> |
| 14  | <a href="#">648136450000</a><br>Gasket, manifold 1     | <a href="#">Buy now</a> |
| 15  | <a href="#">64814198A000</a><br>Gasket                 | <a href="#">Buy now</a> |



# Repair Kit



Flood Marine Services

9999999-9999

| Ref | Part  |                         |
|-----|---|-------------------------|
| 17  | <a href="#">689111810100</a><br>Gasket, cylinder head 1     | <a href="#">Buy now</a> |
| 18  | <a href="#">65512414A100</a><br>Gasket, cover               | <a href="#">Buy now</a> |
| 19  | <a href="#">689153690000</a><br>Gasket Oil Seal Housing     | <a href="#">Buy now</a> |
| 20  | <a href="#">9310225M1100</a><br>Oil Seal (689)              | <a href="#">Buy now</a> |
| 21  | <a href="#">68941114A000</a><br>Gasket, exhaust outer cover | <a href="#">Buy now</a> |
| 22  | <a href="#">689411120000</a><br>Gasket, exhaust inner cover | <a href="#">Buy now</a> |
| 23  | <a href="#">932101627500</a><br>O-ring                      | <a href="#">Buy now</a> |
| 24  | <a href="#">9321057M0900</a><br>O-ring (683)                | <a href="#">Buy now</a> |
| 25  | <a href="#">9310225M0400</a><br>Oil seal(6h4)               | <a href="#">Buy now</a> |
| 26  | <a href="#">9310116M3600</a><br>Oil seal(6a8)               | <a href="#">Buy now</a> |
| 27  | <a href="#">689451130100</a><br>Gasket, upper casing        | <a href="#">Buy now</a> |
| 28  | <a href="#">655245640000</a><br>Packing, filter             | <a href="#">Buy now</a> |
| 29  | <a href="#">9321037M2500</a><br>O-ring (655)                | <a href="#">Buy now</a> |
| 30  | <a href="#">65024431A000</a><br>Gasket,fuel pump            | <a href="#">Buy now</a> |
| 31  | <a href="#">689W00012200</a><br>Gasket kit, lower unit      | <a href="#">Buy now</a> |

# Repair Kit



Flood Marine Services

999999-9999

| Ref | Part   |                         |
|-----|--|-------------------------|
| 32  | <a href="#">66441134A000</a><br>Gasket, exhaust manifold | <a href="#">Buy now</a> |
| 33  | <a href="#">689443660000</a><br>Damper, water seal 2     | <a href="#">Buy now</a> |
| 34  | <a href="#">904300802000</a><br>Gasket                   | <a href="#">Buy now</a> |
| 35  | <a href="#">689443240100</a><br>Gasket, cartridge        | <a href="#">Buy now</a> |
| 36  | <a href="#">9321040M1000</a><br>O-ring (682)             | <a href="#">Buy now</a> |
| 37  | <a href="#">931012206700</a><br>Oil seal (22x36x6-663)   | <a href="#">Buy now</a> |
| 38  | <a href="#">68944315A000</a><br>Gasket, water pump       | <a href="#">Buy now</a> |
| 39  | <a href="#">9321060M1700</a><br>O-ring(6j8)              | <a href="#">Buy now</a> |
| 40  | <a href="#">9310120M0700</a><br>Oil seal                 | <a href="#">Buy now</a> |
| 41  | <a href="#">68944316A000</a><br>Gasket, water pump       | <a href="#">Buy now</a> |
| 42  | <a href="#">689W00780500</a><br>Water pump repair kit    | <a href="#">Buy now</a> |
| 43  | <a href="#">626443650100</a><br>Damper, water seal 1     | <a href="#">Buy now</a> |
| 44  | <a href="#">689443110300</a><br>Housing, water pump      | <a href="#">Buy now</a> |
| 45  | <a href="#">970800603000</a><br>Bolt(jf7)                | <a href="#">Buy now</a> |
| 46  | <a href="#">689W44320200</a><br>Insert cartridge comp.   | <a href="#">Buy now</a> |

# Repair Kit

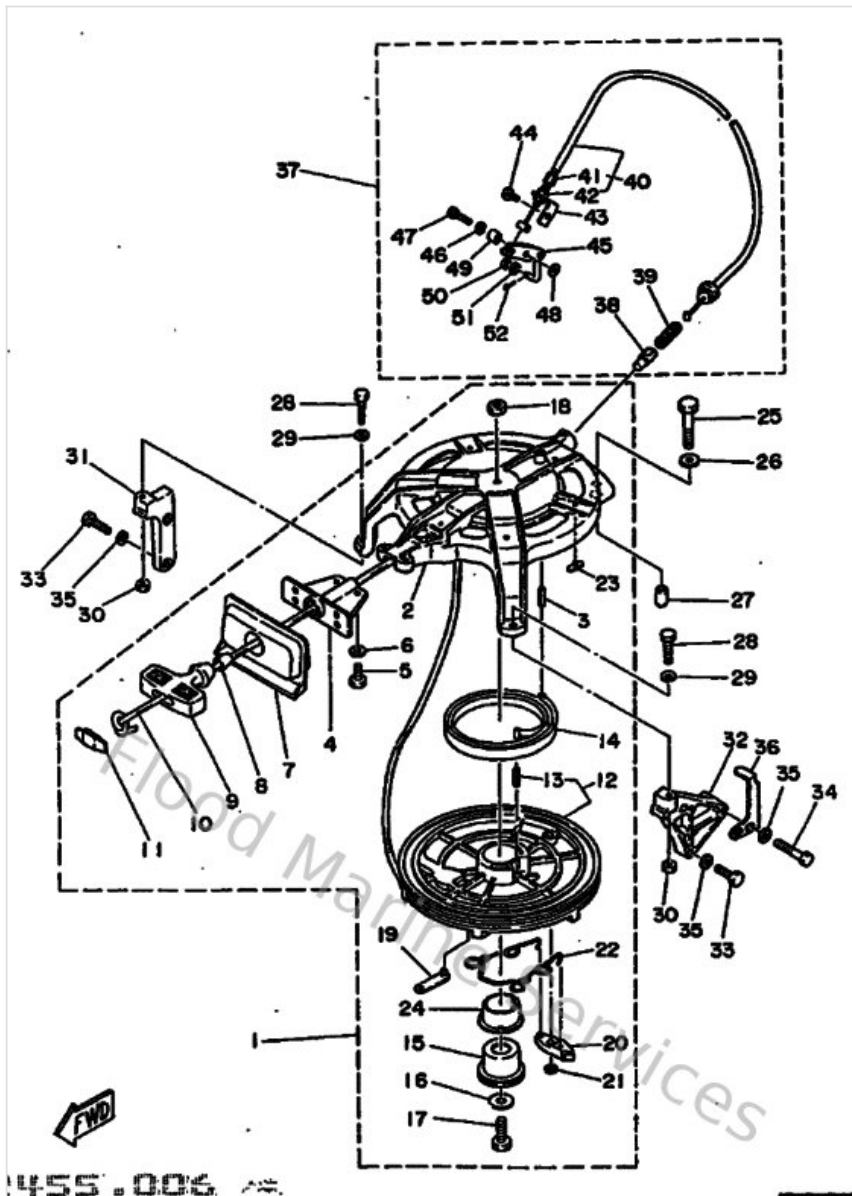


Flood Marine Services

999999-9999

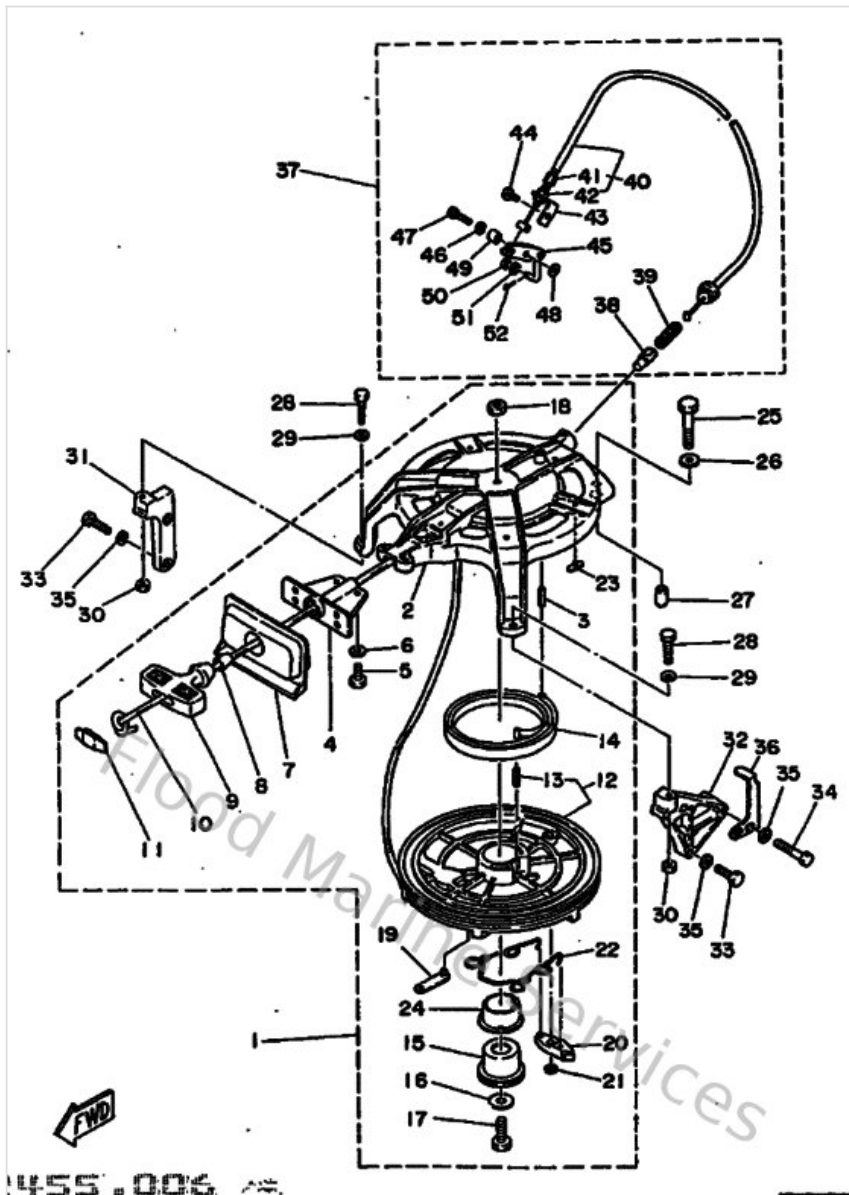
| Ref | Part   |                         |
|-----|--|-------------------------|
| 47  | <a href="#">689443230300</a><br>Outer plate, cartridge | <a href="#">Buy now</a> |
| 49  | <a href="#">689443520200</a><br>Impeller               | <a href="#">Buy now</a> |
| 50  | <a href="#">689443160000</a><br>Gasket, water pump     | <a href="#">Buy now</a> |
| 51  | <a href="#">664443380000</a><br>Key, woodruff          | <a href="#">Buy now</a> |

# Starter



| Ref | Part  |                         |
|-----|---|-------------------------|
| 1   | <a href="#">689157100000</a><br>Starter assembly          | <a href="#">Buy now</a> |
| 2   | <a href="#">676157110094</a><br>Case, Starter             | <a href="#">Buy now</a> |
| 3   | <a href="#">916904002000</a><br>Pin, spring               | <a href="#">Buy now</a> |
| 4   | <a href="#">689157580194</a><br>Guide De Cable            | <a href="#">Buy now</a> |
| 5   | <a href="#">970950601600</a><br>Bolt, hexagon deep recess | <a href="#">Buy now</a> |
| 6   | <a href="#">929030660000</a><br>Washer, plain (646)       | <a href="#">Buy now</a> |
| 7   | <a href="#">689157620100</a><br>Seal, Rubber 2            | <a href="#">Buy now</a> |
| 8   | <a href="#">689157890000</a><br>Damper                    | <a href="#">Buy now</a> |
| 9   | <a href="#">619157550100</a><br>Handle, starter           | <a href="#">Buy now</a> |
| 11  | <a href="#">689157790100</a><br>Cover                     | <a href="#">Buy now</a> |
| 14  | <a href="#">9051009M0000</a><br>Spring, starter (676)     | <a href="#">Buy now</a> |
| 15  | <a href="#">676157170000</a><br>Shaft, Starter            | <a href="#">Buy now</a> |
| 16  | <a href="#">902010830900</a><br>Washer, Plate             | <a href="#">Buy now</a> |
| 17  | <a href="#">973130802500</a><br>Bolt (682)                | <a href="#">Buy now</a> |
| 18  | <a href="#">953030860000</a><br>Nut(6I2)                  | <a href="#">Buy now</a> |

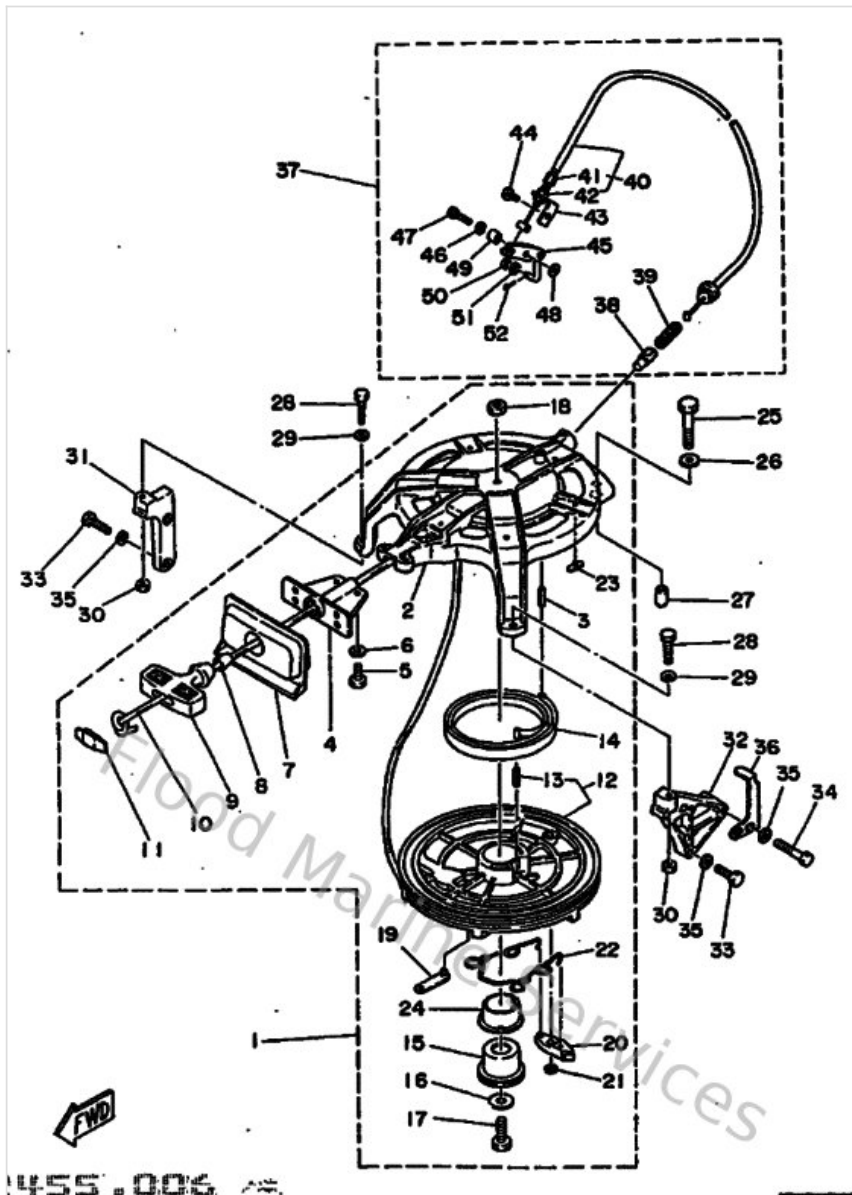
# Starter



| Ref | Part  |                         |
|-----|---|-------------------------|
| 19  | <a href="#">676157990100</a><br>Clip                | <a href="#">Buy now</a> |
| 20  | <a href="#">676157410300</a><br>Pawl, drive         | <a href="#">Buy now</a> |
| 21  | <a href="#">9343006M0200</a><br>Circlip (689)       | <a href="#">Buy now</a> |
| 22  | <a href="#">676157050000</a><br>Spring, pawl drive  | <a href="#">Buy now</a> |
| 23  | <a href="#">676157730000</a><br>Stay 3              | <a href="#">Buy now</a> |
| 24  | <a href="#">9038635M0100</a><br>Bushing (676)       | <a href="#">Buy now</a> |
| 25  | <a href="#">973130804000</a><br>Bolt, Hexagon       | <a href="#">Buy now</a> |
| 26  | <a href="#">929030860000</a><br>Washer, plain (663) | <a href="#">Buy now</a> |
| 27  | <a href="#">918302201600</a><br>Pin, dowel          | <a href="#">Buy now</a> |
| 28  | <a href="#">970800603000</a><br>Bolt(jf7)           | <a href="#">Buy now</a> |
| 30  | <a href="#">953030660000</a><br>Nut(661)            | <a href="#">Buy now</a> |
| 31  | <a href="#">656157710094</a><br>Stay 1              | <a href="#">Buy now</a> |
| 32  | <a href="#">656157720094</a><br>Stay 2              | <a href="#">Buy now</a> |
| 33  | <a href="#">9010106M2700</a><br>Bolt                | <a href="#">Buy now</a> |
| 34  | <a href="#">973130604000</a><br>Bolt (682)          | <a href="#">Buy now</a> |

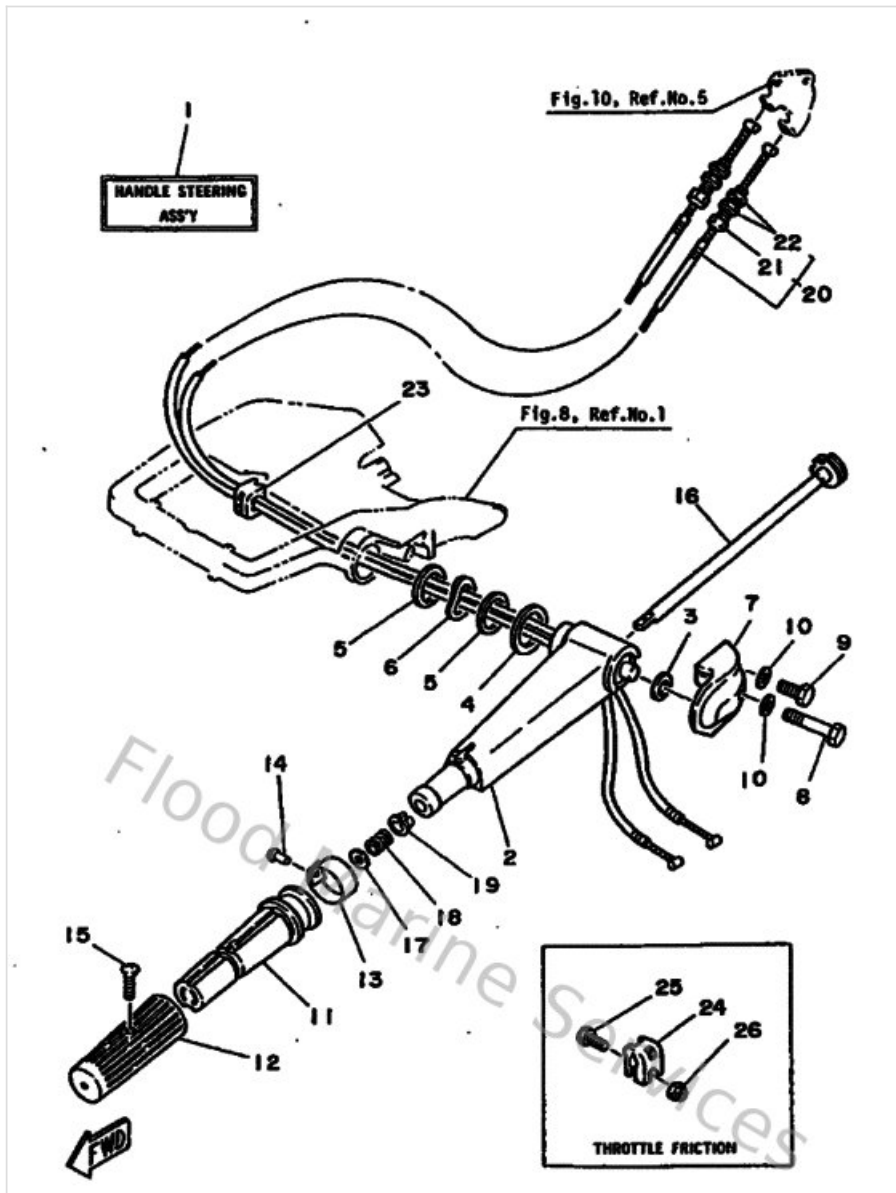


# Starter



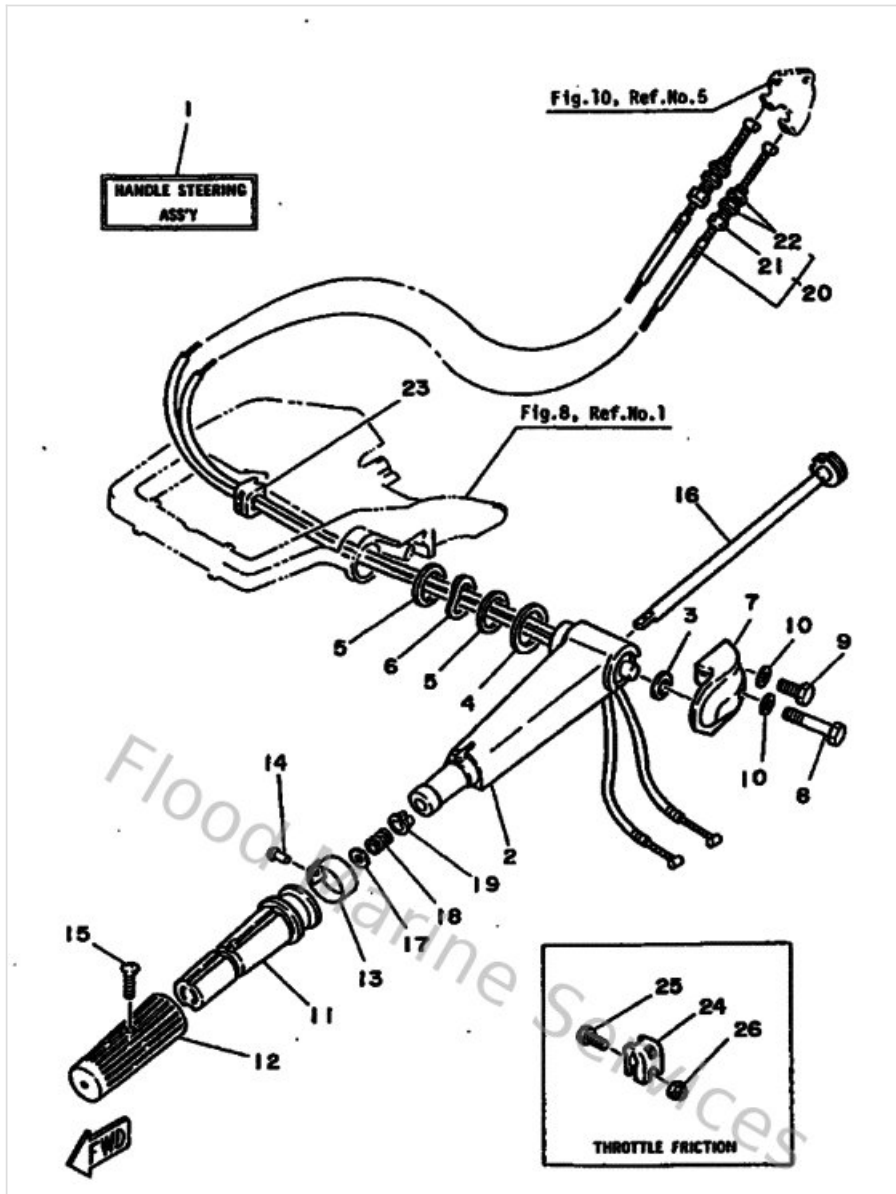
| Ref | Part   |                         |
|-----|--|-------------------------|
| 36  | <a href="#">689813320100</a><br>Plate, timing              | <a href="#">Buy now</a> |
| 38  | <a href="#">656157480000</a><br>Plunger, starter stop      | <a href="#">Buy now</a> |
| 39  | <a href="#">905011022700</a><br>Spring, comprrhension(656) | <a href="#">Buy now</a> |
| 40  | <a href="#">656157700000</a><br>Wire Comp Starter Stop     | <a href="#">Buy now</a> |
| 41  | <a href="#">9012306M0000</a><br>Bolt(6A9)                  | <a href="#">Buy now</a> |
| 43  | <a href="#">689157740000</a><br>Stay 4                     | <a href="#">Buy now</a> |
| 44  | <a href="#">973130601000</a><br>Bolt                       | <a href="#">Buy now</a> |
| 45  | <a href="#">656157490000</a><br>Link comp, starter stop    | <a href="#">Buy now</a> |
| 46  | <a href="#">902060801000</a><br>Washer(656)                | <a href="#">Buy now</a> |
| 47  | <a href="#">970800602000</a><br>Bolt(7u8)                  | <a href="#">Buy now</a> |
| 49  | <a href="#">903870656800</a><br>Collar (3I6)               | <a href="#">Buy now</a> |
| 50  | <a href="#">929030560000</a><br>Washer, plain (646)        | <a href="#">Buy now</a> |
| 51  | <a href="#">902060500500</a><br>Washer, wave(656)          | <a href="#">Buy now</a> |
| 52  | <a href="#">914901601000</a><br>Pin, cotter                | <a href="#">Buy now</a> |

# Steering



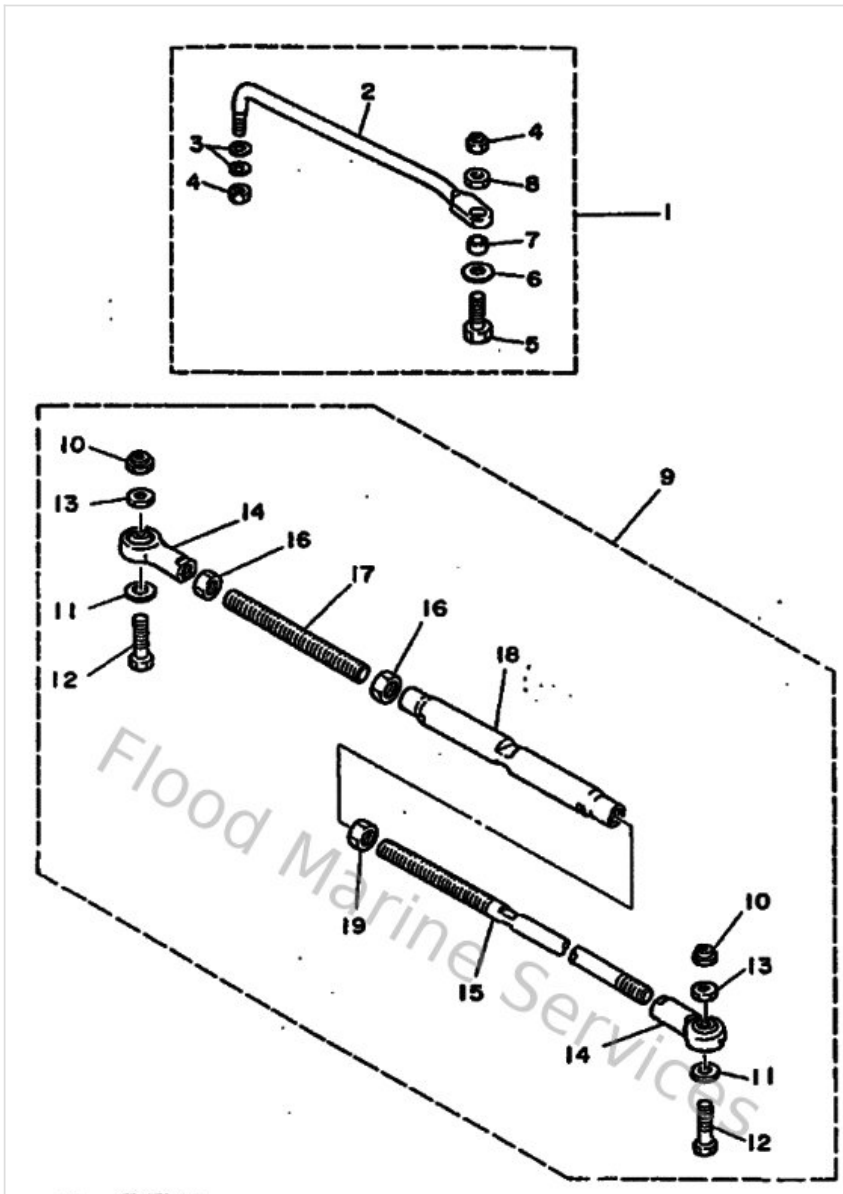
| Ref | Part  |                         |
|-----|---|-------------------------|
| 1   | <a href="#">689W008481EJ</a><br>Handle Steering assembly  | <a href="#">Buy now</a> |
| 2   | <a href="#">6894211100EJ</a><br>Handle, Steering          | <a href="#">Buy now</a> |
| 3   | <a href="#">905601407600</a><br>Spacer 648421550000       | <a href="#">Buy now</a> |
| 4   | <a href="#">902023404300</a><br>Spacer Handle 2 (648)     | <a href="#">Buy now</a> |
| 5   | <a href="#">9020128M2800</a><br>Washer, Plate             | <a href="#">Buy now</a> |
| 6   | <a href="#">9020628M0700</a><br>Rondelle, Ondulee         | <a href="#">Buy now</a> |
| 7   | <a href="#">689WS42101EJ</a><br>Handle, Steering          | <a href="#">Buy now</a> |
| 8   | <a href="#">973950605000</a><br>Bolt(jf7)                 | <a href="#">Buy now</a> |
| 9   | <a href="#">973950602000</a><br>Bolt(7u8)                 | <a href="#">Buy now</a> |
| 10  | <a href="#">929900660000</a><br>Washer, plain (646)       | <a href="#">Buy now</a> |
| 11  | <a href="#">664421190000</a><br>Grip, steering handle     | <a href="#">Buy now</a> |
| 12  | <a href="#">6G1421770000</a><br>Rubber, handle            | <a href="#">Buy now</a> |
| 14  | <a href="#">9026902M0900</a><br>Rivet(615)                | <a href="#">Buy now</a> |
| 15  | <a href="#">981800502500</a><br>Ybs53-525 screw,flat head | <a href="#">Buy now</a> |
| 16  | <a href="#">689421380000</a><br>Lever, throttle           | <a href="#">Buy now</a> |

# Steering



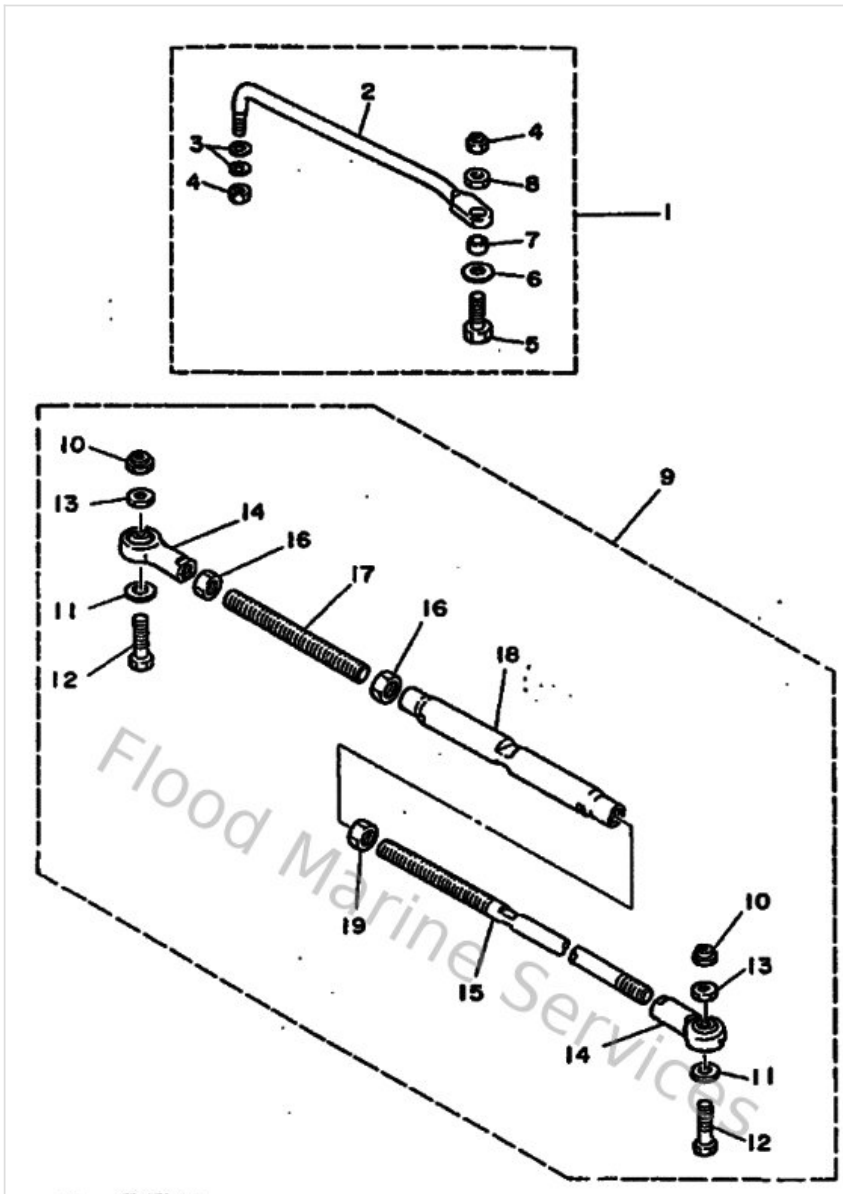
| Ref | Part  |                         |
|-----|---|-------------------------|
| 17  | <a href="#">929901060000</a><br>Washer, plate         | <a href="#">Buy now</a> |
| 18  | <a href="#">905012321500</a><br>Spring (655)          | <a href="#">Buy now</a> |
| 19  | <a href="#">903860803200</a><br>Bushing (650)         | <a href="#">Buy now</a> |
| 20  | <a href="#">6J0263110200</a><br>Cable, throttle 1     | <a href="#">Buy now</a> |
| 21  | <a href="#">901230606500</a><br>Bolt(6A9)             | <a href="#">Buy now</a> |
| 22  | <a href="#">901700618300</a><br>Nut, hexagon(664)     | <a href="#">Buy now</a> |
| 23  | <a href="#">904801215600</a><br>Grommet               | <a href="#">Buy now</a> |
| 24  | <a href="#">656421260100</a><br>Piece, friction       | <a href="#">Buy now</a> |
| 26  | <a href="#">901850606200</a><br>Nut selflocking (656) | <a href="#">Buy now</a> |

# Steering Guide Attachment 1



| Ref | Part  |                         |
|-----|---|-------------------------|
| 1   | <a href="#">689613500100</a><br>Steering guide attachment kit | <a href="#">Buy now</a> |
| 2   | <a href="#">689613510100</a><br>Rod, steering                 | <a href="#">Buy now</a> |
| 3   | <a href="#">9020110M2000</a><br>Washer, plate (663)           | <a href="#">Buy now</a> |
| 4   | <a href="#">9018509M0100</a><br>Nut, nylon (663)              | <a href="#">Buy now</a> |
| 5   | <a href="#">6E5613550000</a><br>Bolt                          | <a href="#">Buy now</a> |
| 6   | <a href="#">9020110M6300</a><br>Washer, plate                 | <a href="#">Buy now</a> |
| 7   | <a href="#">9038710M4200</a><br>Coller (688)                  | <a href="#">Buy now</a> |
| 8   | <a href="#">9017009M0300</a><br>Nut (689)                     | <a href="#">Buy now</a> |
| 9   | <a href="#">688613010100</a><br>Twin kit                      | <a href="#">Buy now</a> |
| 11  | <a href="#">9020110M7600</a><br>Washer, plate (6e5)           | <a href="#">Buy now</a> |
| 12  | <a href="#">9010109M7000</a><br>Bolt (6e5)                    | <a href="#">Buy now</a> |
| 13  | <a href="#">9017009M0500</a><br>Nut, hexagon (6e5)            | <a href="#">Buy now</a> |
| 15  | <a href="#">688613111100</a><br>Tie bar                       | <a href="#">Buy now</a> |
| 16  | <a href="#">953801470000</a><br>Nut (6e5)                     | <a href="#">Buy now</a> |
| 17  | <a href="#">6E5613150000</a><br>Tie bar, 2                    | <a href="#">Buy now</a> |

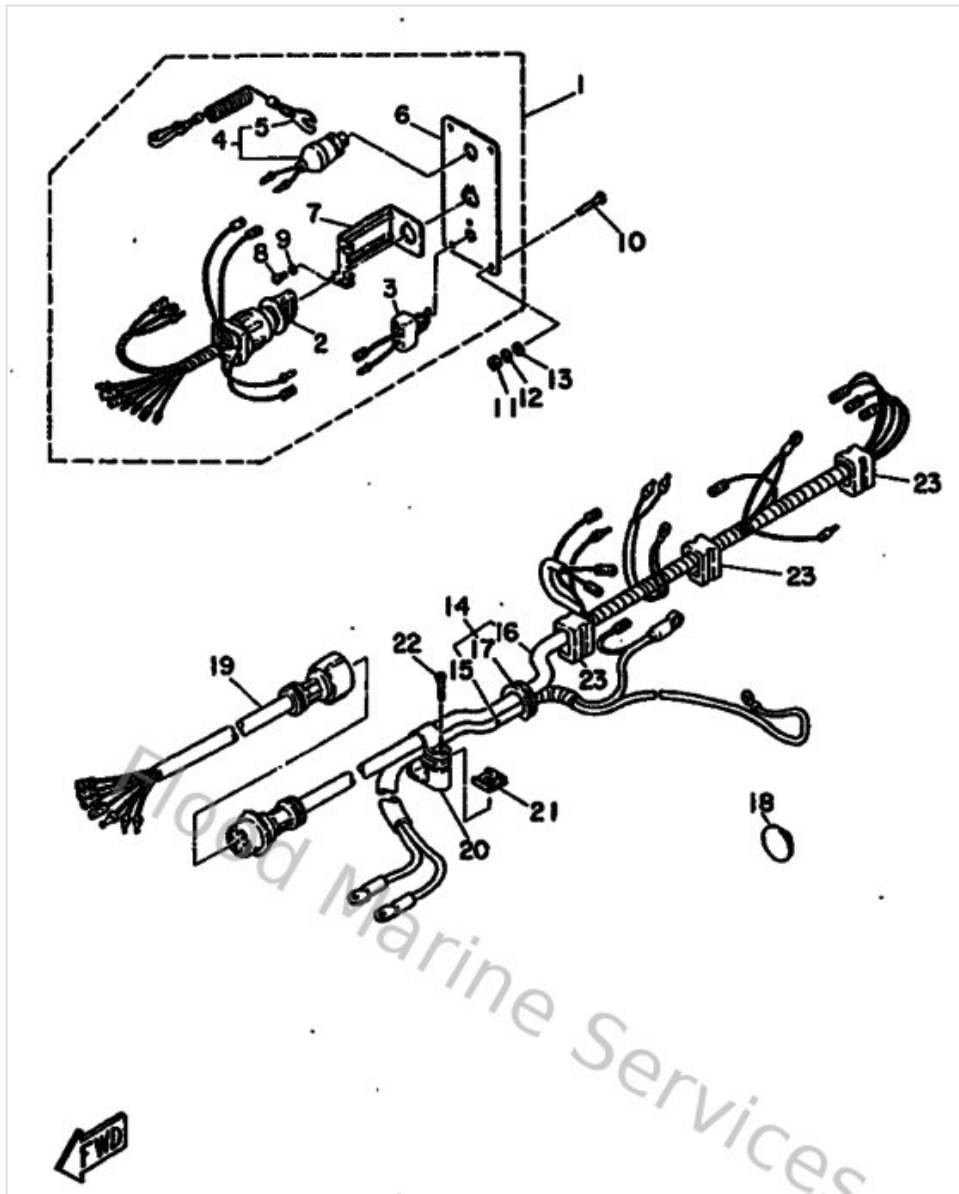
# Steering Guide Attachment 1



| Ref | Part                                      |                         |
|-----|---|-------------------------|
| 18  | <a href="#">6E5613130000</a><br>Adjuster  | <a href="#">Buy now</a> |
| 19  | <a href="#">9017014M0600</a><br>Nut (6e5) | <a href="#">Buy now</a> |

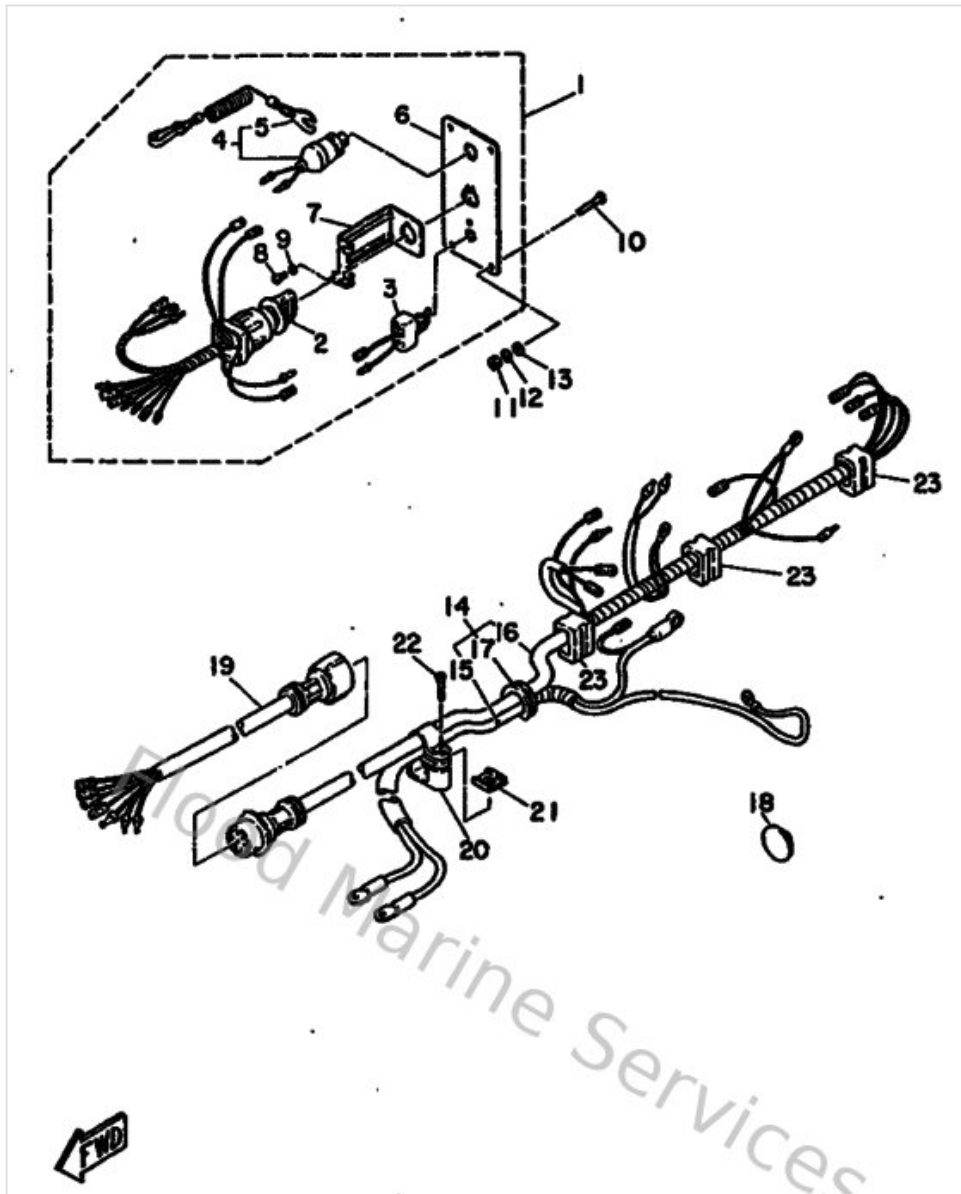


# Switch Panel



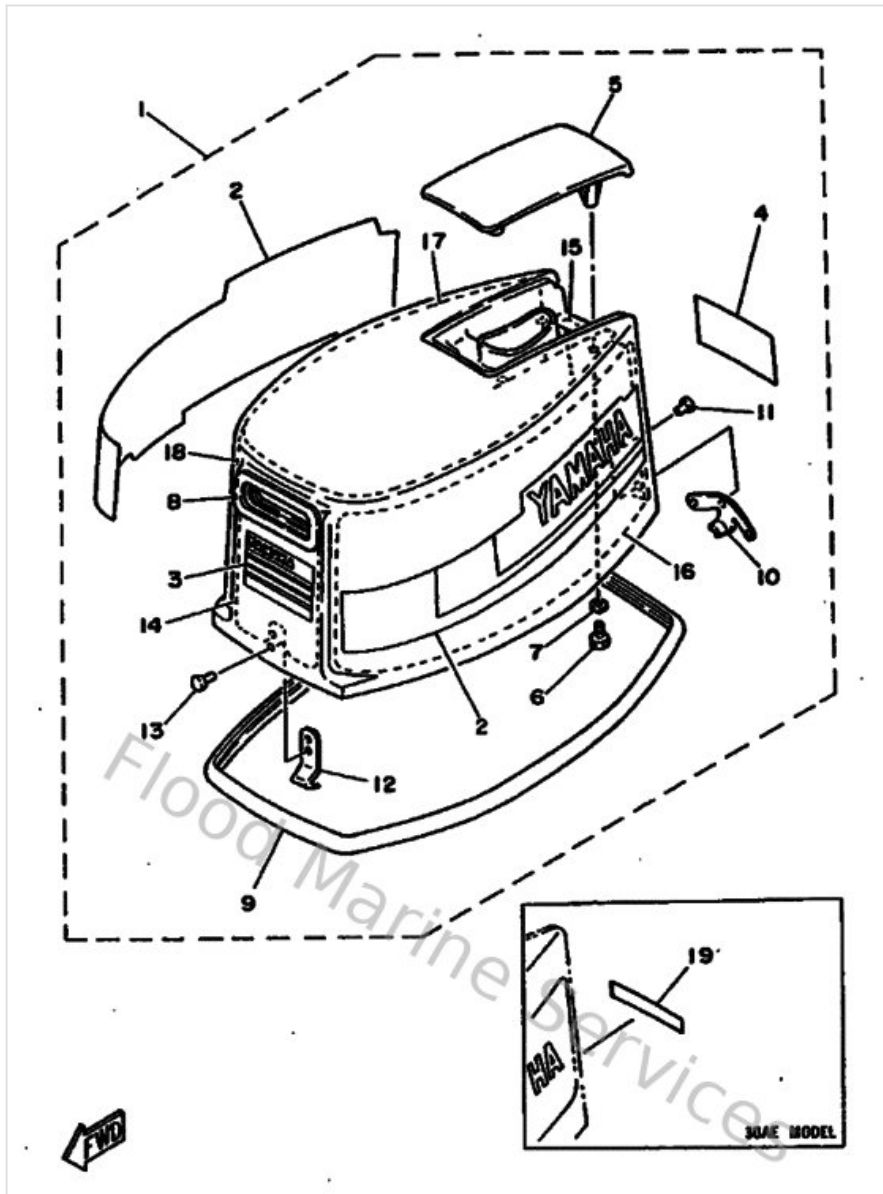
| Ref | Part  |                         |
|-----|---|-------------------------|
| 1   | <a href="#">689825701300</a><br>Panel Switch assembly       | <a href="#">Buy now</a> |
| 2   | <a href="#">688825101100</a><br>Main switch assembly        | <a href="#">Buy now</a> |
| 3   | <a href="#">6K1825740000</a><br>Switch, choke               | <a href="#">Buy now</a> |
| 4   | <a href="#">688825750100</a><br>Engine stop switch assembly | <a href="#">Buy now</a> |
| 5   | <a href="#">682825560000</a><br>Lanyard, stop switch        | <a href="#">Buy now</a> |
| 6   | <a href="#">689825710200</a><br>Panel, Switch               | <a href="#">Buy now</a> |
| 7   | <a href="#">663825810100</a><br>Stay, cord clamp            | <a href="#">Buy now</a> |
| 8   | <a href="#">983030400800</a><br>Screw, pan head (713)       | <a href="#">Buy now</a> |
| 9   | <a href="#">929010410000</a><br>Ybs67-4 washer, spring      | <a href="#">Buy now</a> |
| 10  | <a href="#">989030502500</a><br>Screw, bind                 | <a href="#">Buy now</a> |
| 11  | <a href="#">953800560000</a><br>Nut, hexagon (663)          | <a href="#">Buy now</a> |
| 12  | <a href="#">929030510000</a><br>Ybs67-5 washer, spring      | <a href="#">Buy now</a> |
| 13  | <a href="#">929030560000</a><br>Washer, plain (646)         | <a href="#">Buy now</a> |
| 15  | <a href="#">689821051200</a><br>Battery cable               | <a href="#">Buy now</a> |
| 16  | <a href="#">689825901100</a><br>Wire Harness Assembly       | <a href="#">Buy now</a> |

# Switch Panel



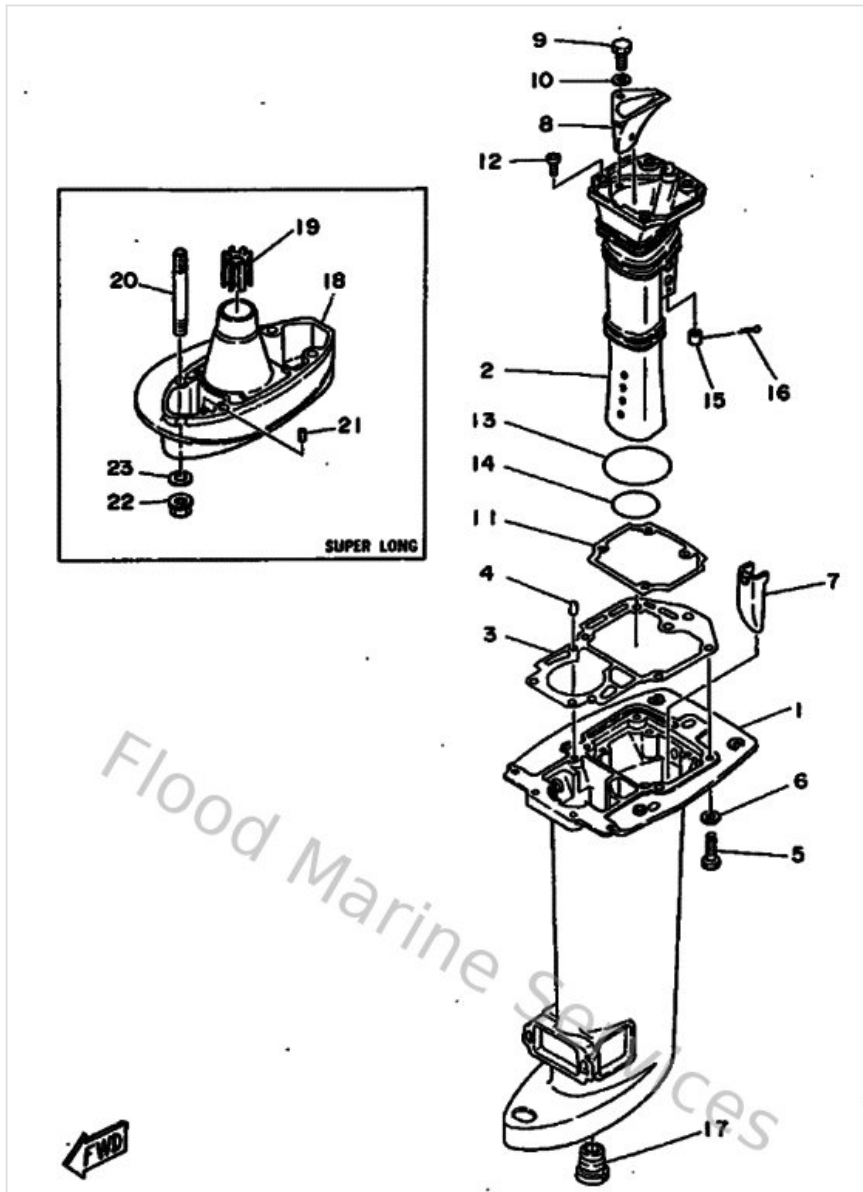
| Ref | Part  |                         |
|-----|---|-------------------------|
| 17  | <a href="#">689427245000</a><br>Grommet                 | <a href="#">Buy now</a> |
| 18  | <a href="#">904801716500</a><br>Grommet(663)            | <a href="#">Buy now</a> |
| 19  | <a href="#">688825862100</a><br>Extension, wire harness | <a href="#">Buy now</a> |
| 20  | <a href="#">689825941000</a><br>Clamp                   | <a href="#">Buy now</a> |
| 21  | <a href="#">682425250000</a><br>Plate, friction 1       | <a href="#">Buy now</a> |
| 22  | <a href="#">9016106M0000</a><br>Screw, tapping(6e7)     | <a href="#">Buy now</a> |
| 23  | <a href="#">9048017M0800</a><br>Grommet (689)           | <a href="#">Buy now</a> |

# Top Cowling



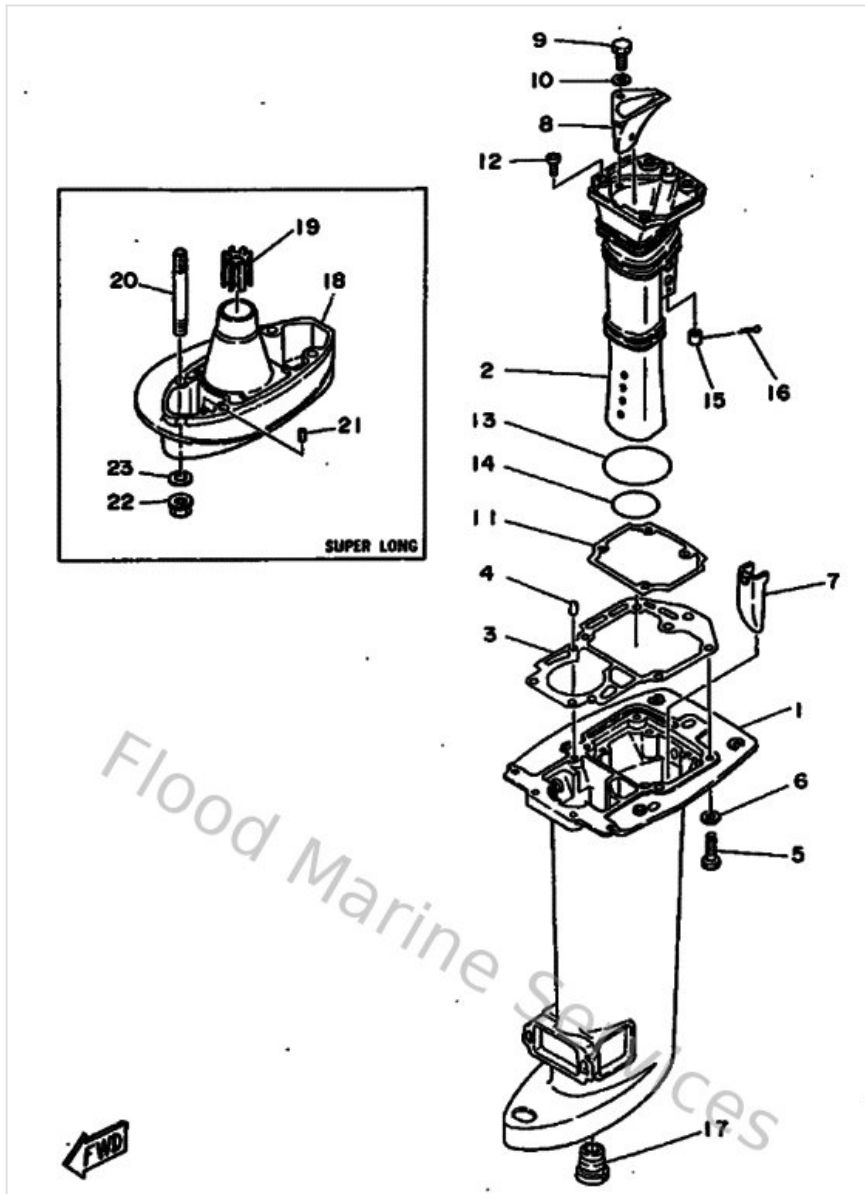
| Ref | Part  |                         |
|-----|---|-------------------------|
| 2   | <a href="#">689W00702300</a><br>Graphic Set         | <a href="#">Buy now</a> |
| 3   | <a href="#">689426770100</a><br>Graphic, Front      | <a href="#">Buy now</a> |
| 5   | <a href="#">6894261300EJ</a><br>Molding, Air Duct   | <a href="#">Buy now</a> |
| 6   | <a href="#">970130601200</a><br>Bolt(gh1)           | <a href="#">Buy now</a> |
| 7   | <a href="#">929030660000</a><br>Washer, plain (646) | <a href="#">Buy now</a> |
| 8   | <a href="#">689157610000</a><br>Seal 1              | <a href="#">Buy now</a> |
| 9   | <a href="#">6G0426150000</a><br>Seal                | <a href="#">Buy now</a> |
| 10  | <a href="#">689426470000</a><br>Holder, clamp band  | <a href="#">Buy now</a> |
| 11  | <a href="#">9026604M0100</a><br>Rivet (689)         | <a href="#">Buy now</a> |
| 12  | <a href="#">689426510000</a><br>Hook 1              | <a href="#">Buy now</a> |
| 13  | <a href="#">9026604M0000</a><br>Rivet 2 (662)       | <a href="#">Buy now</a> |
| 14  | <a href="#">689426620100</a><br>Damper 1            | <a href="#">Buy now</a> |
| 15  | <a href="#">689426630100</a><br>Damper 2            | <a href="#">Buy now</a> |
| 17  | <a href="#">689426650000</a><br>Damper 4            | <a href="#">Buy now</a> |
| 18  | <a href="#">689426660000</a><br>Damper 5            | <a href="#">Buy now</a> |

# Upper Casing



| Ref | Part   |                         |
|-----|--|-------------------------|
| 1   | <a href="#">6894511101EJ</a><br>Casing, Upper              | <a href="#">Buy now</a> |
| 2   | <a href="#">68941131009M</a><br>Manifold Exhaust           | <a href="#">Buy now</a> |
| 3   | <a href="#">689451130100</a><br>Gasket, upper casing       | <a href="#">Buy now</a> |
| 4   | <a href="#">936061201900</a><br>Pin, dowel (614)           | <a href="#">Buy now</a> |
| 5   | <a href="#">970800803000</a><br>Bolt, hexagon (fj1)        | <a href="#">Buy now</a> |
| 6   | <a href="#">929900860000</a><br>Washer, plain (663)        | <a href="#">Buy now</a> |
| 8   | <a href="#">689411370094</a><br>Guide Exhaust              | <a href="#">Buy now</a> |
| 9   | <a href="#">973950802000</a><br>Bolt, hexagon              | <a href="#">Buy now</a> |
| 11  | <a href="#">66441134A000</a><br>Gasket, exhaust manifold   | <a href="#">Buy now</a> |
| 12  | <a href="#">978900601600</a><br>Screw pan head             | <a href="#">Buy now</a> |
| 13  | <a href="#">689411410000</a><br>Seal, exhaust 1            | <a href="#">Buy now</a> |
| 14  | <a href="#">689411420000</a><br>Seal, exhust 2             | <a href="#">Buy now</a> |
| 15  | <a href="#">6A8411350000</a><br>Gasket, exhaust manifold 3 | <a href="#">Buy now</a> |
| 16  | <a href="#">914903003000</a><br>Pin, cotter                | <a href="#">Buy now</a> |
| 17  | <a href="#">689451270000</a><br>Seal                       | <a href="#">Buy now</a> |

# Upper Casing



| Ref | Part  |                         |
|-----|---|-------------------------|
| 20  | <a href="#">9011610M1000</a><br>Bolt, Stud    | <a href="#">Buy now</a> |
| 22  | <a href="#">9017910M0300</a><br>Nut (689)     | <a href="#">Buy now</a> |
| 23  | <a href="#">929901060000</a><br>Washer, plate | <a href="#">Buy now</a> |



# Disclaimer

This document is provided for convenience only. It is **not** an official Yamaha publication and is **not supplied, endorsed, or approved** by Yamaha Motor Co., Ltd.

Reasonable efforts are made to keep information accurate; however diagrams, part references, supersessions, descriptions, and applicability may contain errors or omissions. Specifications and part availability may change without notice.

You are responsible for confirming the correct parts for your engine (including model code, year, serial range, and any superseded part numbers) before ordering or fitting.