



# Yamaha 30DEO 2001

Parts Manual

[www.floodmarine.co.uk](http://www.floodmarine.co.uk)

+44 2882 246 539

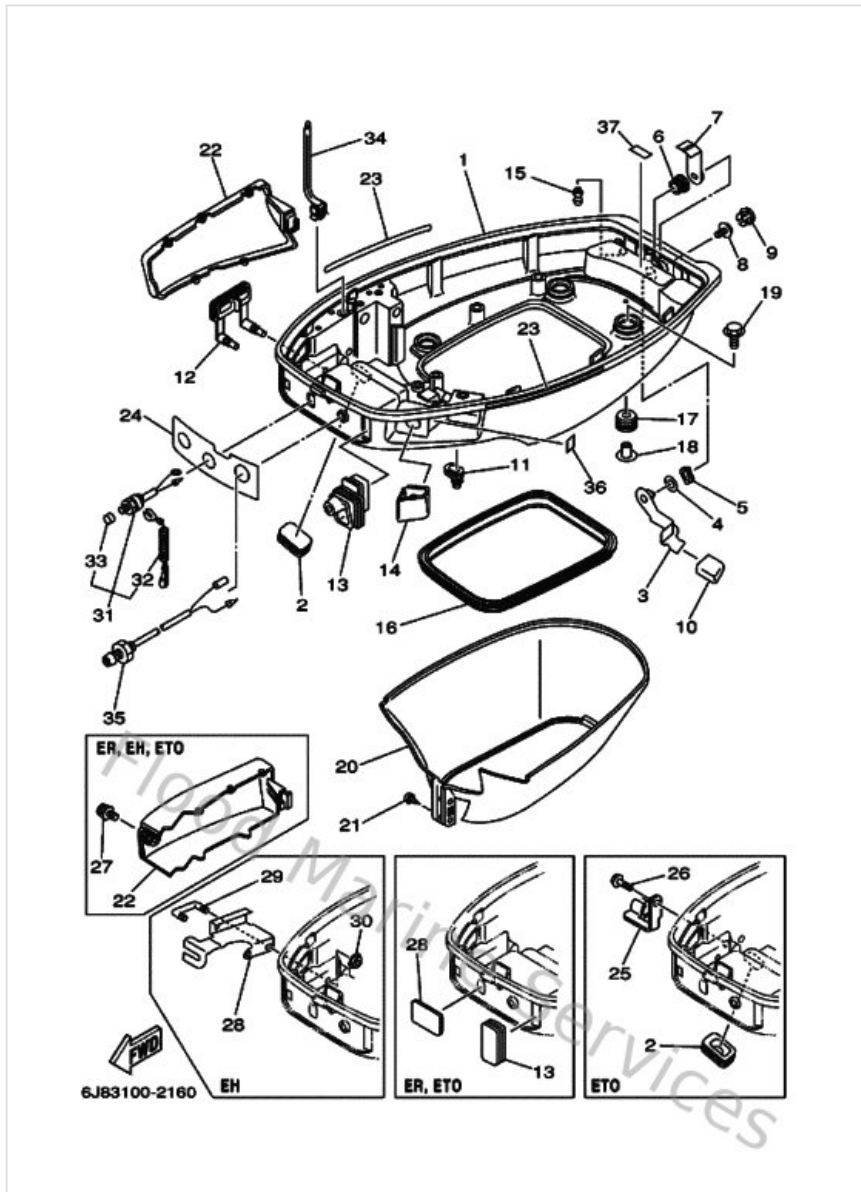
Authorised Yamaha Dealers



# Contents

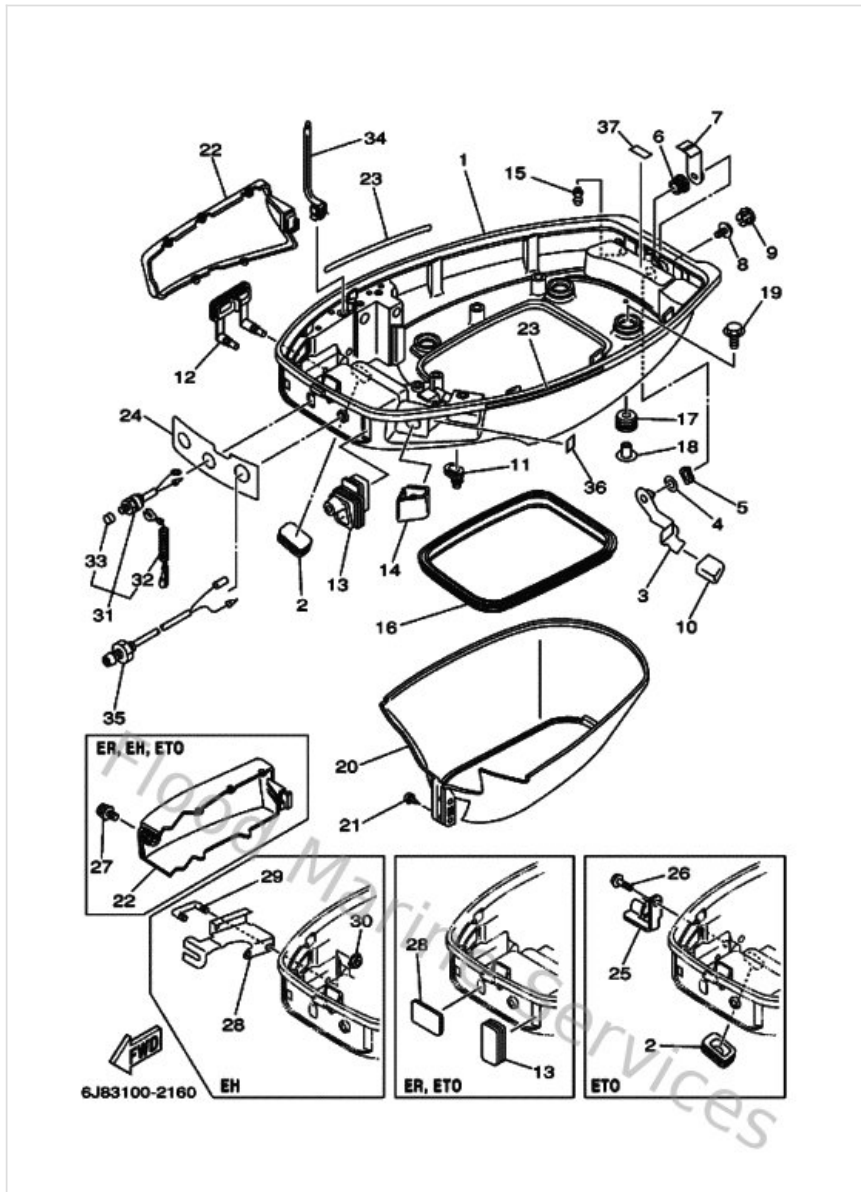
<b>Bottom Cowling</b> .....	3
<b>Bracket 1</b> .....	5
<b>Bracket 2</b> .....	9
<b>Carburetor</b> .....	12
<b>Control</b> .....	15
<b>Control 1</b> .....	17
<b>Control 2</b> .....	19
<b>Crankshaft &amp; Piston</b> .....	20
<b>Cylinder &amp; Crankcase</b> .....	22
<b>Electrical 1</b> .....	26
<b>Electrical 2</b> .....	27
<b>Fuel</b> .....	29
<b>Fuel 1</b> .....	31
<b>Fuel 2</b> .....	33
<b>Fuel Tank</b> .....	34
<b>Generator</b> .....	35
<b>Intake</b> .....	37
<b>Lower Casing &amp; Drive 1</b> .....	39
<b>Lower Casing &amp; Drive 2</b> .....	43
<b>Oil Pump</b> .....	45
<b>Remo Con Attachment</b> .....	49
<b>Remote Control Assy</b> .....	51
<b>Remote Control Assy 1</b> .....	55
<b>Remote Control Box</b> .....	59
<b>Repair Kit 1</b> .....	60
<b>Repair Kit 2</b> .....	62
<b>Starter</b> .....	64
<b>Starting Motor</b> .....	65
<b>Steering Guide</b> .....	68
<b>Top Cowling</b> .....	69
<b>Upper Casing</b> .....	71

# Bottom Cowling



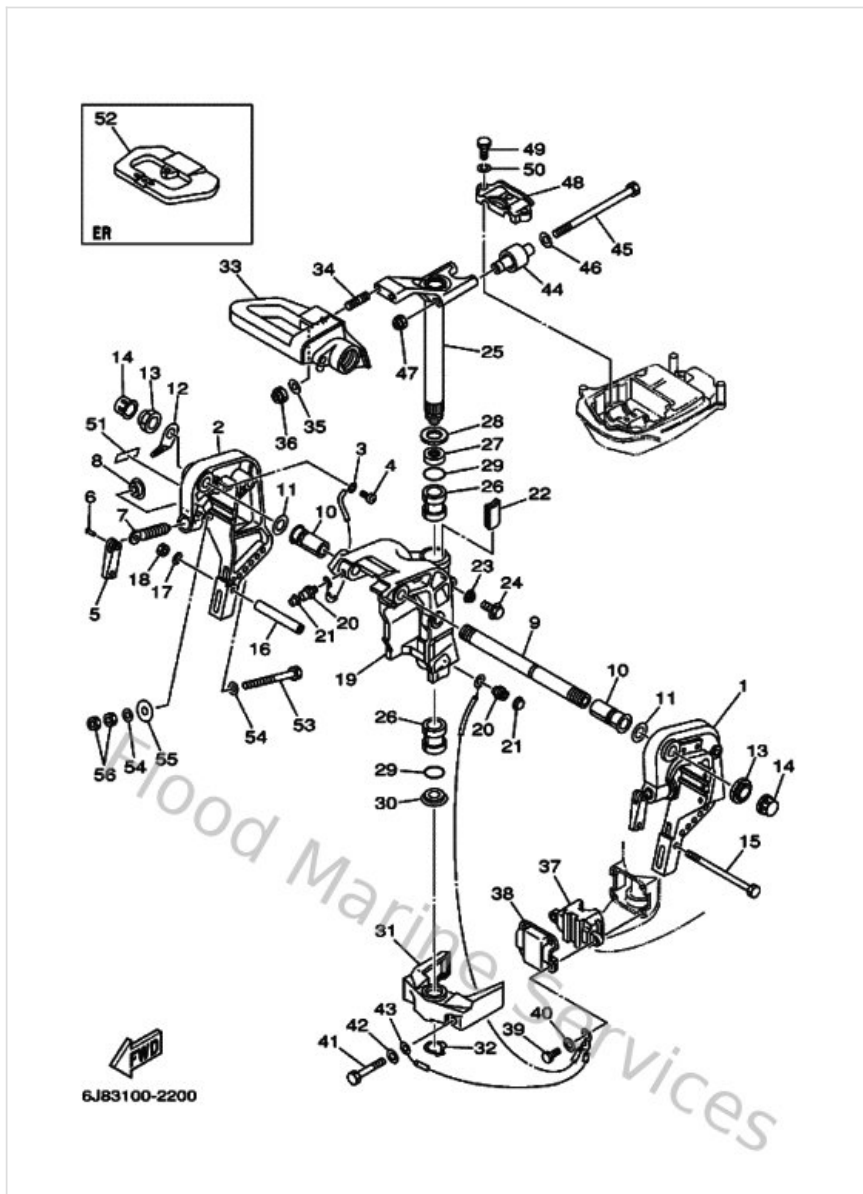
Ref	Part	
1	<a href="#">6J842711034D</a> Cowling, bottom 1	<a href="#">Buy now</a>
2	<a href="#">6H4427260000</a> Grommet	<a href="#">Buy now</a>
3	<a href="#">6J842815004D</a> Lever, clamp	<a href="#">Buy now</a>
4	<a href="#">9020212M2500</a> Washer, plate(6j8)	<a href="#">Buy now</a>
5	<a href="#">902061205200</a> Washer, wave (666)	<a href="#">Buy now</a>
6	<a href="#">9038612M6100</a> Bush(6j8)	<a href="#">Buy now</a>
7	<a href="#">6J8428160000</a> Lever, clamp	<a href="#">Buy now</a>
8	<a href="#">958950601200</a> Bolt, flange deep recess	<a href="#">Buy now</a>
9	<a href="#">6J8428310000</a> Bushing	<a href="#">Buy now</a>
10	<a href="#">6J8427280100</a> Cap	<a href="#">Buy now</a>
11	<a href="#">6G1427270000</a> Grommet	<a href="#">Buy now</a>
13	<a href="#">6J8427261000</a> Grommet	<a href="#">Buy now</a>
14	<a href="#">6J8427250100</a> Grommet	<a href="#">Buy now</a>
15	<a href="#">6H3443910100</a> Nipple, hose	<a href="#">Buy now</a>
16	<a href="#">6J8427160000</a> Rubber seal 1	<a href="#">Buy now</a>

# Bottom Cowling



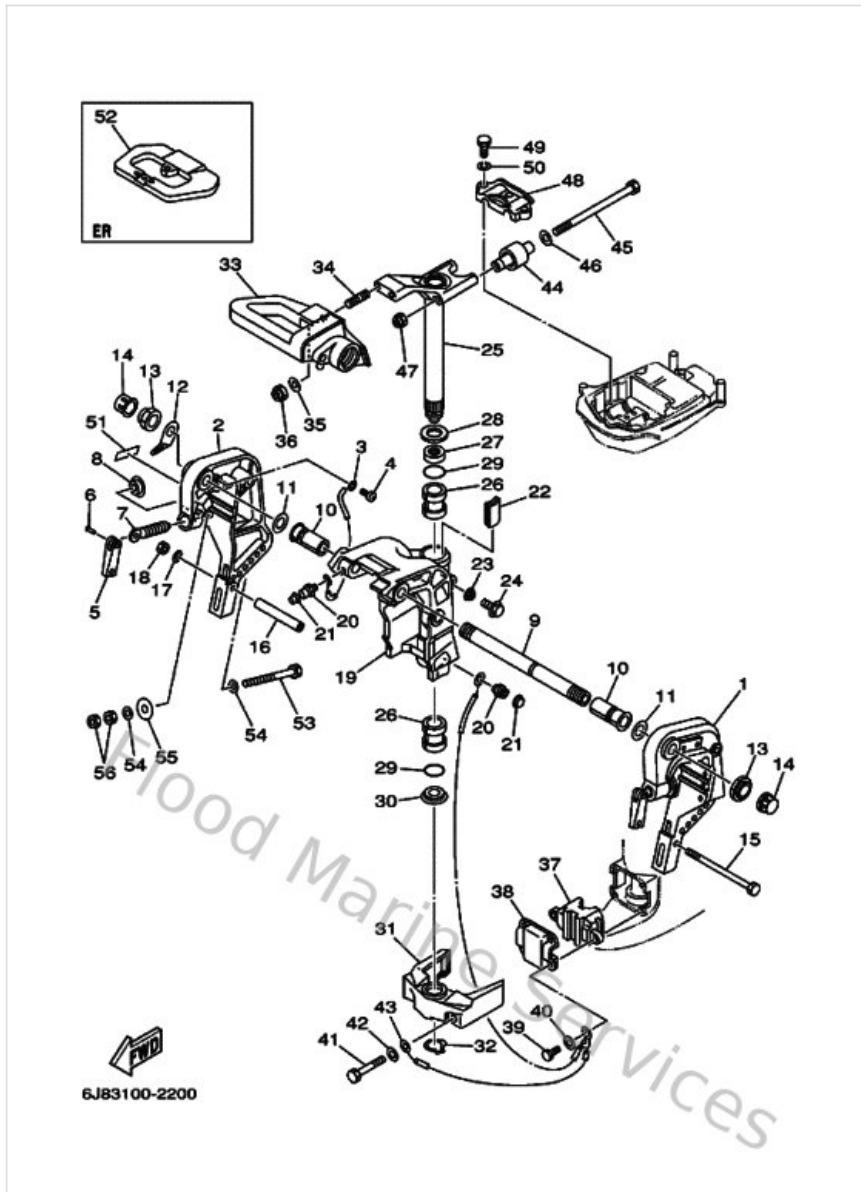
Ref	Part	
17	<a href="#">9048009M2100</a> Grommet (6e9)	<a href="#">Buy now</a>
18	<a href="#">9038706M4100</a> Coller (6e9)	<a href="#">Buy now</a>
19	<a href="#">9011906M6100</a> Bolt, with washer	<a href="#">Buy now</a>
20	<a href="#">6J8427410100</a> Apron	<a href="#">Buy now</a>
21	<a href="#">9016406M0100</a> Screw (6f5)	<a href="#">Buy now</a>
22	<a href="#">6J8427235100</a> Cover, bottom (dbn:gray)	<a href="#">Buy now</a>
23	<a href="#">6J8427350000</a> Protector	<a href="#">Buy now</a>
24	<a href="#">6J8427192000</a> Panel, front lower	<a href="#">Buy now</a>
27	<a href="#">6J8428460000</a> Screw	<a href="#">Buy now</a>
28	<a href="#">6J8427262000</a> Grommet	<a href="#">Buy now</a>
34	<a href="#">9046513M7600</a> Clamp	<a href="#">Buy now</a>
35	<a href="#">6J8854100000</a> Emergency signal light assembly	<a href="#">Buy now</a>
37	<a href="#">6E7427911000</a> Mark 1	<a href="#">Buy now</a>
15	<a href="#">6BL443910000</a> Nipple, hose	<a href="#">Buy now</a>

# Bracket 1



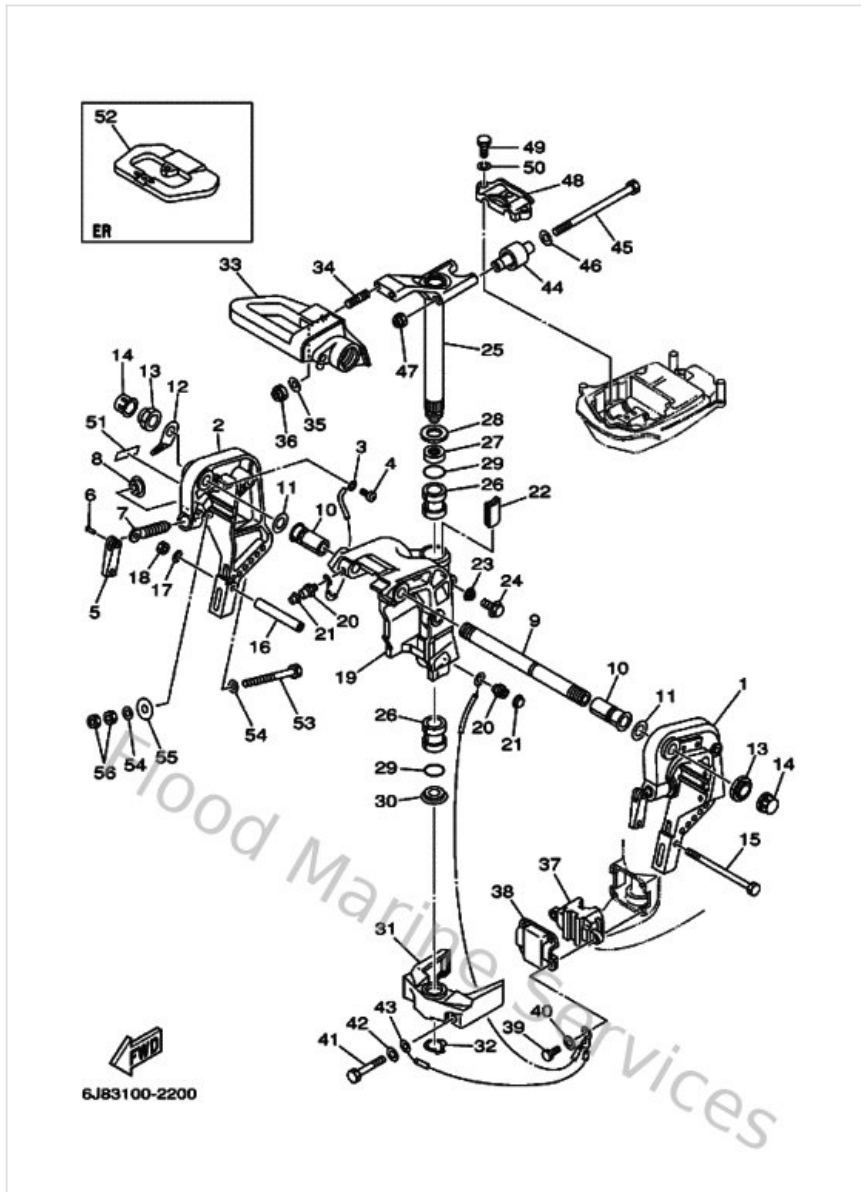
Ref	Part	
1	<a href="#">6H443111054D</a> Bracket, clamp 1	<a href="#">Buy now</a>
2	<a href="#">6H443112044D</a> Bracket, clamp 2	<a href="#">Buy now</a>
3	<a href="#">6E5821480000</a> Wire, lead 5	<a href="#">Buy now</a>
4	<a href="#">978850600800</a> Screw, pan head(6a3)	<a href="#">Buy now</a>
5	<a href="#">6E0431180100</a> Handle, transom clamp	<a href="#">Buy now</a>
6	<a href="#">9024304M0100</a> Pin(6a1)	<a href="#">Buy now</a>
7	<a href="#">9014914M1200</a> Screw(6h4)	<a href="#">Buy now</a>
8	<a href="#">648431140100</a> Pad, transom clamp	<a href="#">Buy now</a>
9	<a href="#">6J8431310100</a> Bolt, clamp bracket	<a href="#">Buy now</a>
10	<a href="#">9038622M6900</a> Bush(6k9)	<a href="#">Buy now</a>
11	<a href="#">9020122M0300</a> Washer, plate(64j)	<a href="#">Buy now</a>
12	<a href="#">6J8431130100</a> Plate, clamp bracket	<a href="#">Buy now</a>
13	<a href="#">901852200700</a> Nut, self-locking	<a href="#">Buy now</a>
14	<a href="#">6G5431450100</a> Cap, clamp bracket	<a href="#">Buy now</a>
15	<a href="#">901010833900</a> Bolt, hexagon (656)	<a href="#">Buy now</a>

# Bracket 1



Ref	Part	
16	<a href="#">903870901900</a> Collar	<a href="#">Buy now</a>
17	<a href="#">929950860000</a> Washer, plain (663)	<a href="#">Buy now</a>
18	<a href="#">953800860000</a> Nut (661)	<a href="#">Buy now</a>
19	<a href="#">6J843311044D</a> Bracket, swivel	<a href="#">Buy now</a>
20	<a href="#">9370006M0300</a> Nipple, grease(6a1)	<a href="#">Buy now</a>
21	<a href="#">663451190000</a> Cap, grease nipple	<a href="#">Buy now</a>
22	<a href="#">6J8425280000</a> Plate, friction	<a href="#">Buy now</a>
23	<a href="#">689433730100</a> Seal, damper	<a href="#">Buy now</a>
24	<a href="#">9010506M1800</a> Bolt (689)	<a href="#">Buy now</a>
25	<a href="#">6J842510024D</a> Steering bracket assembly	<a href="#">Buy now</a>
26	<a href="#">9038630M7700</a> Bush(6h0)	<a href="#">Buy now</a>
27	<a href="#">9038630M7800</a> Bush(6h0)	<a href="#">Buy now</a>
28	<a href="#">9020130M0000</a> Washer, plate(6h1)	<a href="#">Buy now</a>
29	<a href="#">9321029M9400</a> O-ring(6h1)	<a href="#">Buy now</a>
30	<a href="#">9038630M6000</a> Bush(6j8)	<a href="#">Buy now</a>

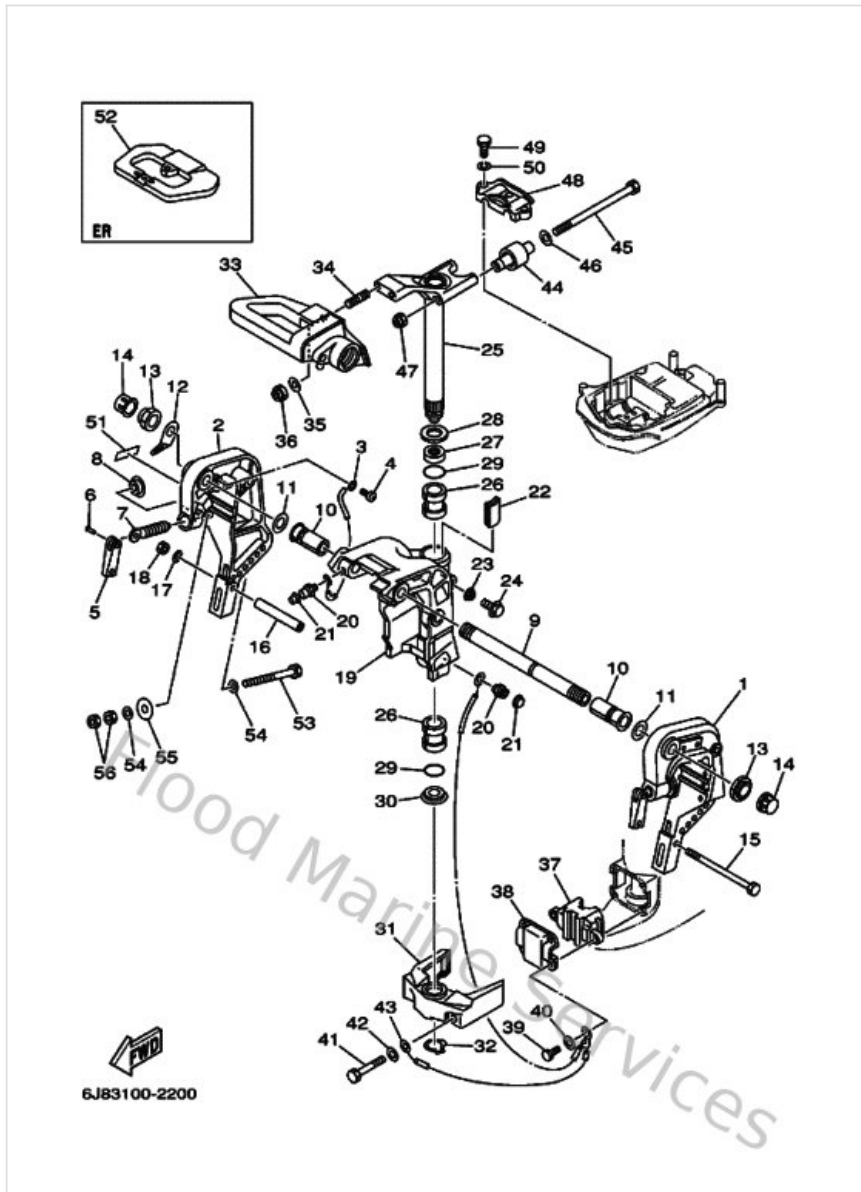
# Bracket 1



Ref	Part	
31	<a href="#">6H444551024D</a> Housing, lower mount rubber 1	<a href="#">Buy now</a>
32	<a href="#">9341028M0600</a> Circlip (688)	<a href="#">Buy now</a>
34	<a href="#">9011610M2800</a> Bolt, stud	<a href="#">Buy now</a>
35	<a href="#">929951060000</a> Washer, plate	<a href="#">Buy now</a>
36	<a href="#">901851005100</a> Nut, self-locking	<a href="#">Buy now</a>
37	<a href="#">6H4445571000</a> Mount, lower front	<a href="#">Buy now</a>
38	<a href="#">6H4445530100</a> Cover, lower mount	<a href="#">Buy now</a>
39	<a href="#">970950802500</a> Bolt (62g)	<a href="#">Buy now</a>
41	<a href="#">970951006000</a> Bolt, hexagon	<a href="#">Buy now</a>
43	<a href="#">6H4821270000</a> Wire, lead 2	<a href="#">Buy now</a>
44	<a href="#">6H4445140000</a> Mount, upper side	<a href="#">Buy now</a>
45	<a href="#">9010908M2600</a> Bolt(6j8)	<a href="#">Buy now</a>
46	<a href="#">902010942500</a> Washer, plate (663)	<a href="#">Buy now</a>
47	<a href="#">901850804500</a> Nut, self-locking	<a href="#">Buy now</a>
48	<a href="#">6J8445110000</a> Cover, upper mount	<a href="#">Buy now</a>



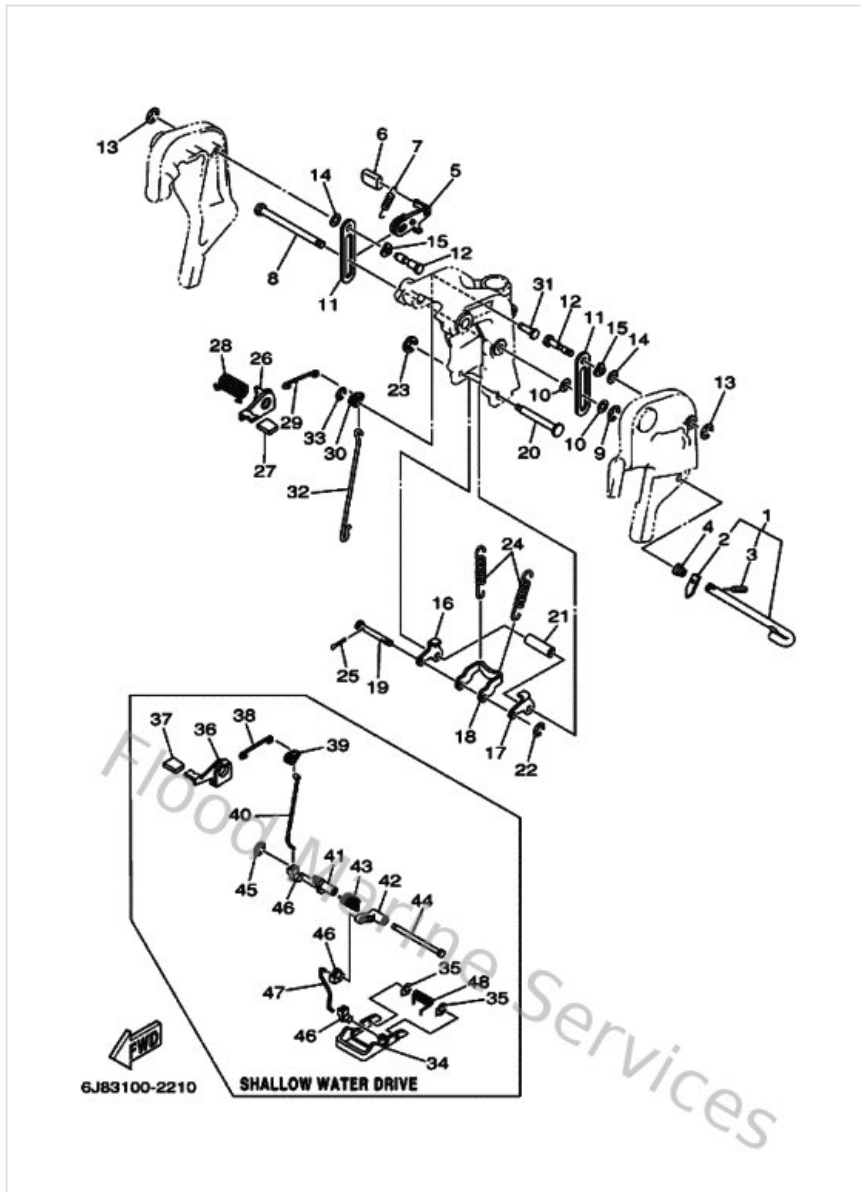
# Bracket 1



Ref	Part	
49	<a href="#">970750803500</a> Bolt(70w)	<a href="#">Buy now</a>
50	<a href="#">929900810000</a> Ybs67-8 washer, spring	<a href="#">Buy now</a>
51	<a href="#">63V823775000</a> Label (Spark, Ignition)	<a href="#">Buy now</a>
52	<a href="#">6J848511514D</a> Hook, steering	<a href="#">Buy now</a>
53	<a href="#">9010110M5800</a> Bolt	<a href="#">Buy now</a>
55	<a href="#">902011242600</a> Washe, plate(663)	<a href="#">Buy now</a>
56	<a href="#">953801060000</a> Nut(624)	<a href="#">Buy now</a>
13	<a href="#">901852204300</a> Nut, self-locking	<a href="#">Buy now</a>
14	<a href="#">6G5431450000</a> Cap, clamp bracket	<a href="#">Buy now</a>
16	<a href="#">9038708M0300</a> Collar	<a href="#">Buy now</a>
36	<a href="#">901851002700</a> Nut, self-locking	<a href="#">Buy now</a>
40	<a href="#">929900860000</a> Washer, plain (663)	<a href="#">Buy now</a>
48	<a href="#">6J844511004D</a> Cover, upper mount	<a href="#">Buy now</a>
49	<a href="#">970950803500</a> Bolt(70w)	<a href="#">Buy now</a>
50	<a href="#">929950810000</a> Ybs67-8 washer, spring	<a href="#">Buy now</a>

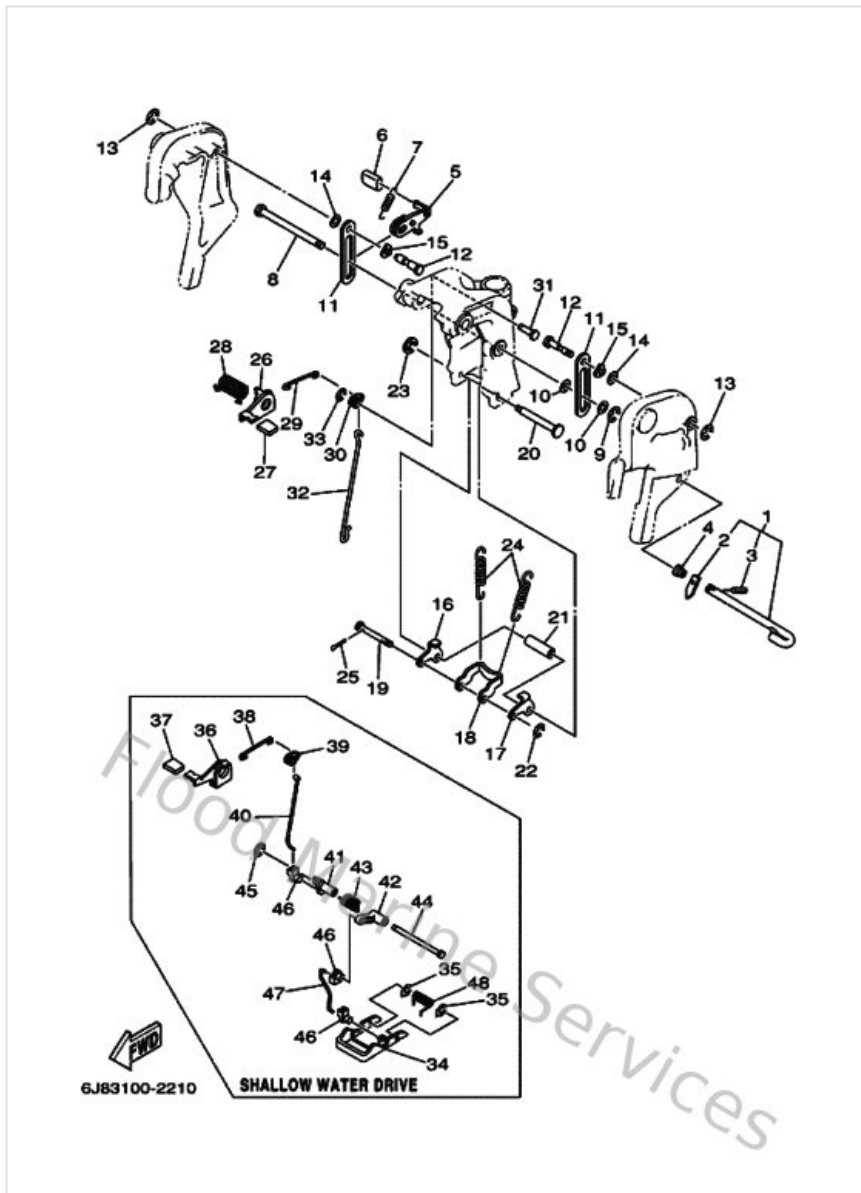


## Bracket 2



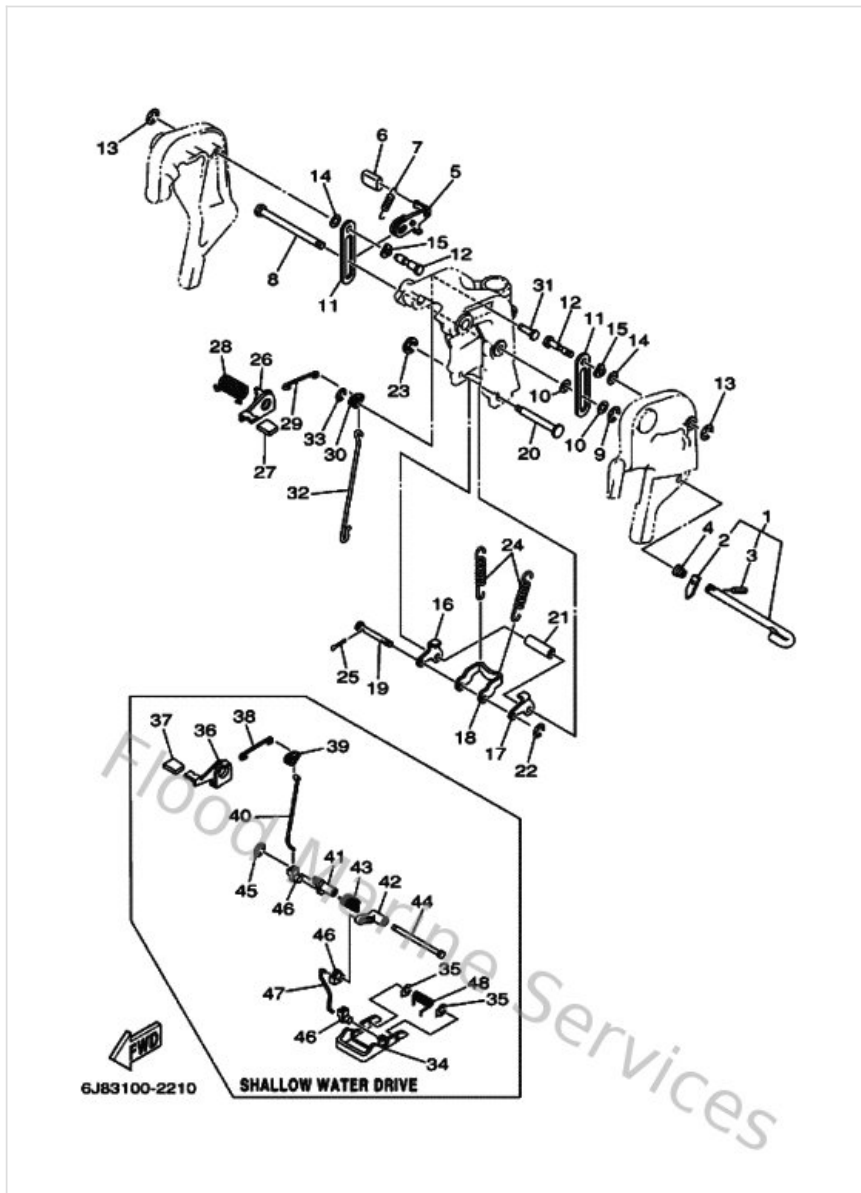
Ref	Part	
1	<a href="#">6H4431600100</a> Tilt rod assembly	<a href="#">Buy now</a>
2	<a href="#">676431650000</a> Stopper plate, titl lock rod	<a href="#">Buy now</a>
3	<a href="#">916903001000</a> Pin, spring (663)	<a href="#">Buy now</a>
4	<a href="#">9050210M0400</a> Spring, conical(6f5)	<a href="#">Buy now</a>
5	<a href="#">6J8431810100</a> Lever, tilt stop 1	<a href="#">Buy now</a>
6	<a href="#">682433180100</a> Cover	<a href="#">Buy now</a>
7	<a href="#">9050612M2500</a> Spring, tension(6h4)	<a href="#">Buy now</a>
8	<a href="#">9024912M2800</a> Pin(6h4)	<a href="#">Buy now</a>
9	<a href="#">9343010M0000</a> Circlip	<a href="#">Buy now</a>
10	<a href="#">902021203100</a> Washer, plate 6484412600	<a href="#">Buy now</a>
11	<a href="#">6J8436270000</a> Stopper	<a href="#">Buy now</a>
12	<a href="#">9024912M2700</a> Pin(6f6)	<a href="#">Buy now</a>
15	<a href="#">9020612M1600</a> Washer, wave(6j8)	<a href="#">Buy now</a>
16	<a href="#">6J8436140000</a> Plate, tilt lock	<a href="#">Buy now</a>
17	<a href="#">6J8436150000</a> Plate, tilt lock	<a href="#">Buy now</a>

## Bracket 2



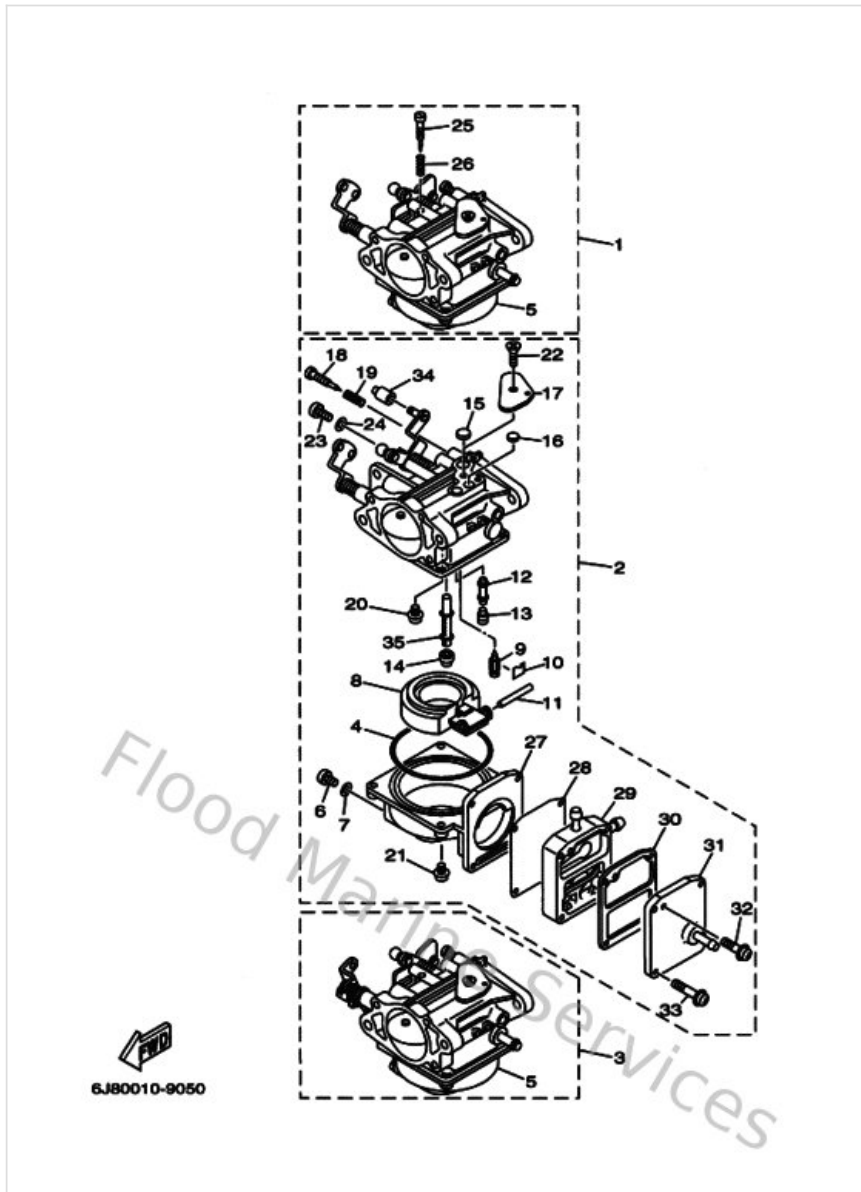
Ref	Part	
18	<a href="#">6J8436130100</a> Arm, tilt lock	<a href="#">Buy now</a>
19	<a href="#">6H4436590000</a> Shaft, reverse lock	<a href="#">Buy now</a>
20	<a href="#">6J8436110100</a> Shaft, tilt lock	<a href="#">Buy now</a>
21	<a href="#">9038707M6400</a> Collar (6h4)	<a href="#">Buy now</a>
22	<a href="#">9343006M0200</a> Circlip (689)	<a href="#">Buy now</a>
23	<a href="#">990800560000</a> Circlip(22k)	<a href="#">Buy now</a>
24	<a href="#">9050632M2200</a> Spring, tension(6j8)	<a href="#">Buy now</a>
25	<a href="#">914902001000</a> Pin, cotter	<a href="#">Buy now</a>
26	<a href="#">6J8436310000</a> Lever, tilt	<a href="#">Buy now</a>
27	<a href="#">6J8436330000</a> Cover, tilt lever	<a href="#">Buy now</a>
28	<a href="#">9050818M2300</a> Spring, torsion(6h4)	<a href="#">Buy now</a>
29	<a href="#">6H4436160000</a> Rod, tilt lock 1	<a href="#">Buy now</a>
30	<a href="#">6J8436410000</a> Lever, tilt	<a href="#">Buy now</a>
31	<a href="#">9024906M2400</a> Pin(6h4)	<a href="#">Buy now</a>
32	<a href="#">6J8436170000</a> Rod, tilt lock	<a href="#">Buy now</a>

## Bracket 2



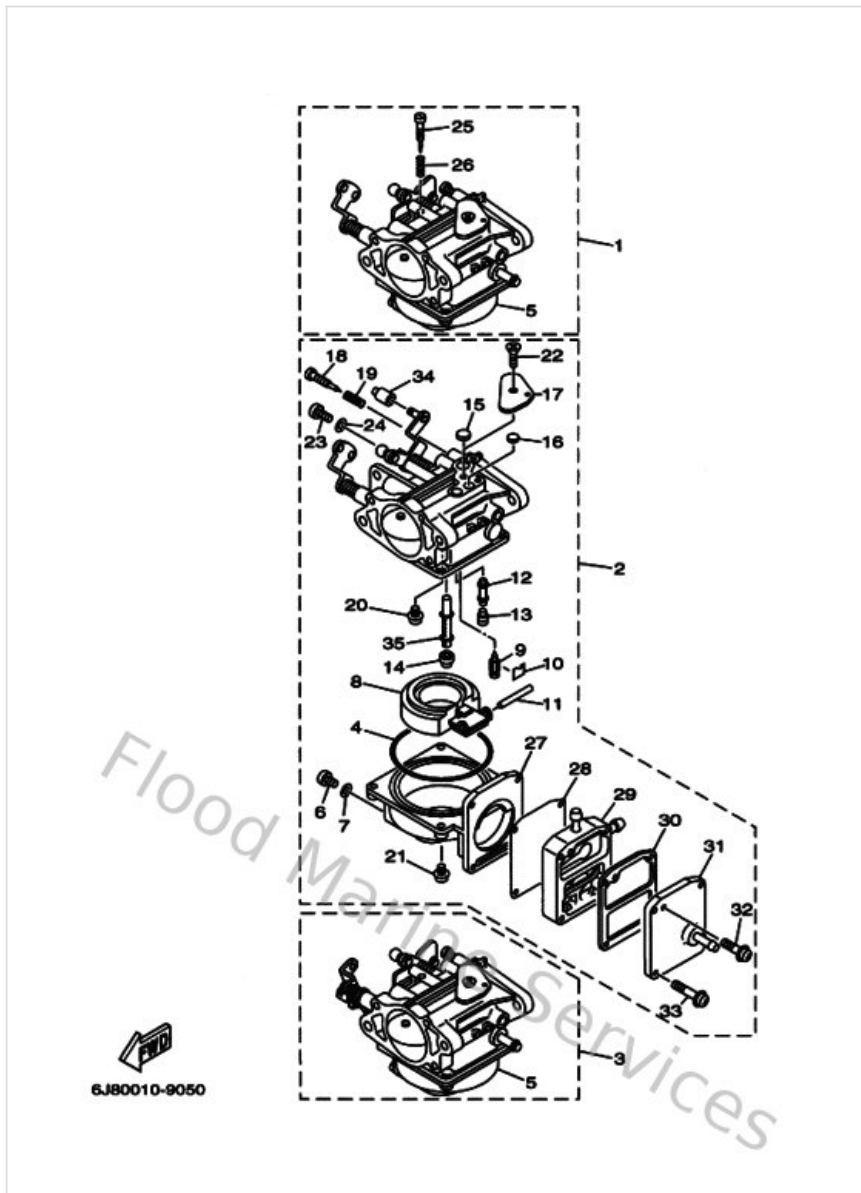
Ref	Part	
34	<a href="#">6J8436810100</a> Lever, shallow water drive	<a href="#">Buy now</a>
35	<a href="#">6J8436730000</a> Washer 1	<a href="#">Buy now</a>
36	<a href="#">6J8436311000</a> Lever, tilt	<a href="#">Buy now</a>
40	<a href="#">6J8436171000</a> Rod, tilt lock	<a href="#">Buy now</a>
41	<a href="#">6J8431860000</a> Lever	<a href="#">Buy now</a>
42	<a href="#">6J8431870000</a> Lever 2	<a href="#">Buy now</a>
43	<a href="#">9050825M2100</a> Spring, torsion(6h4)	<a href="#">Buy now</a>
44	<a href="#">9024907M2500</a> Pin(6h4)	<a href="#">Buy now</a>
46	<a href="#">6J8412620000</a> Joint, choke lever	<a href="#">Buy now</a>
47	<a href="#">6J8436161000</a> Rod, tilt lock	<a href="#">Buy now</a>
48	<a href="#">9050820M2200</a> Spring, torsion(6h4)	<a href="#">Buy now</a>
13	<a href="#">990801060000</a> Circlip	<a href="#">Buy now</a>
23	<a href="#">934300502700</a> Circlip(22k)	<a href="#">Buy now</a>
25	<a href="#">6H4436740000</a> Washer 2	<a href="#">Buy now</a>
32	<a href="#">9024906M2300</a> Pin(6e7)	<a href="#">Buy now</a>

# Carburetor



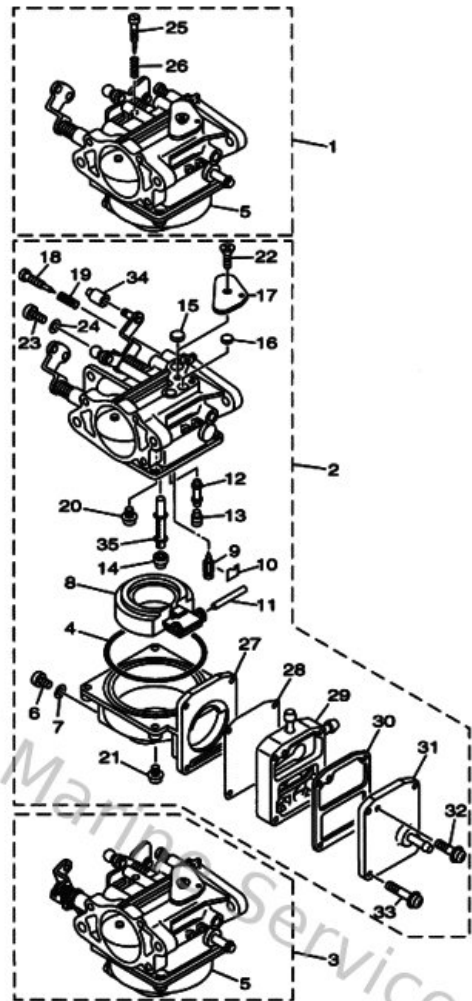
Ref	Part	
1	<a href="#">6J8143011100</a> Carburetor assembly 1	<a href="#">Buy now</a>
2	<a href="#">6J8143020100</a> Carburetor assembly 2	<a href="#">Buy now</a>
3	<a href="#">6J8143030200</a> Carburetor assembly 3	<a href="#">Buy now</a>
4	<a href="#">6J8149840000</a> Gasket, float chamber	<a href="#">Buy now</a>
5	<a href="#">6J8149800000</a> Body Float Chamber	<a href="#">Buy now</a>
6	<a href="#">6J8149910000</a> Screw, drain	<a href="#">Buy now</a>
7	<a href="#">6J8149950000</a> Gasket, drin screw	<a href="#">Buy now</a>
8	<a href="#">6J8149850000</a> Float	<a href="#">Buy now</a>
9	<a href="#">6J8145460000</a> Valve, needle	<a href="#">Buy now</a>
10	<a href="#">6J8141590000</a> Clip	<a href="#">Buy now</a>
11	<a href="#">6J8145480000</a> Pin, float arm	<a href="#">Buy now</a>
12	<a href="#">6J81492F2500</a> Jet, air slow (#50)	<a href="#">Buy now</a>
13	<a href="#">6J8149660000</a> Plug	<a href="#">Buy now</a>
14	<a href="#">6J81492E5100</a> Jet, main (#102)	<a href="#">Buy now</a>
15	<a href="#">6J8141260000</a> Plug	<a href="#">Buy now</a>

# Carburetor



Ref	Part	
16	<a href="#">6J8141180000</a> Plug	<a href="#">Buy now</a>
17	<a href="#">6J8145270100</a> Plate	<a href="#">Buy now</a>
18	<a href="#">6J8149230000</a> Screw, pilot	<a href="#">Buy now</a>
19	<a href="#">6J8145550000</a> Spring	<a href="#">Buy now</a>
20	<a href="#">979800411000</a> Screw, pan head (e56)	<a href="#">Buy now</a>
21	<a href="#">985800401200</a> Screw, pan head (686)	<a href="#">Buy now</a>
22	<a href="#">987800500800</a> Screw Flat Head(6J8)	<a href="#">Buy now</a>
23	<a href="#">6J8145920100</a> Screw	<a href="#">Buy now</a>
24	<a href="#">929900560000</a> Washer, plain (646)	<a href="#">Buy now</a>
25	<a href="#">6J8145230000</a> Screw, stop	<a href="#">Buy now</a>
26	<a href="#">6J8143340000</a> Spring, throttle	<a href="#">Buy now</a>
27	<a href="#">6J8149810000</a> Body, Float Chamber	<a href="#">Buy now</a>
28	<a href="#">6J8244710000</a> Diaphragm	<a href="#">Buy now</a>
29	<a href="#">6J8244150000</a> Body comp (with valve)	<a href="#">Buy now</a>
30	<a href="#">6J8244320000</a> Gasket, fuel pump 2	<a href="#">Buy now</a>

# Carburetor

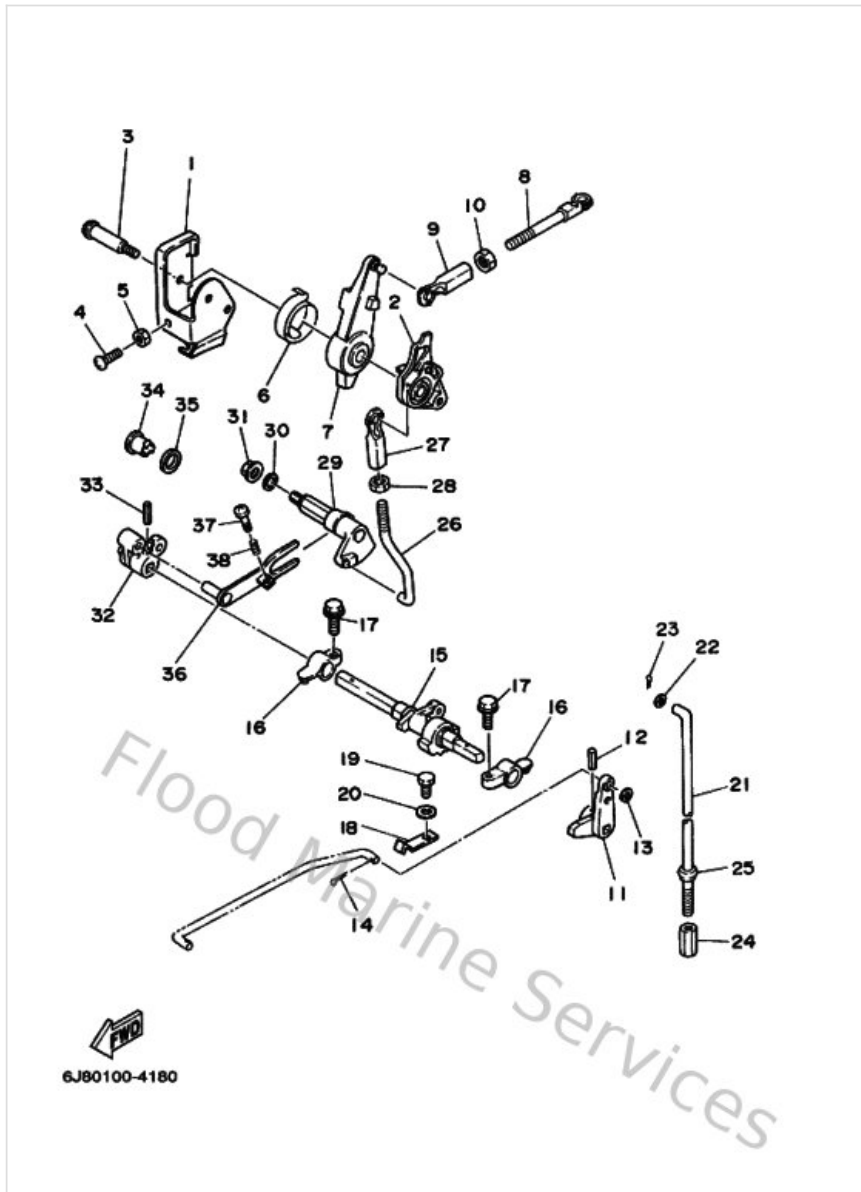


  
 6J80010-9050

Ref	Part	
31	<a href="#">6J8244520000</a> Cover	<a href="#">Buy now</a>
32	<a href="#">979800312200</a> Screw, with washer(6j8)	<a href="#">Buy now</a>
33	<a href="#">979800412400</a> Screw, with washer(6j8)	<a href="#">Buy now</a>
34	<a href="#">6J8145780000</a> Collar	<a href="#">Buy now</a>
35	<a href="#">6J81492A0000</a> Nozzle, main	<a href="#">Buy now</a>

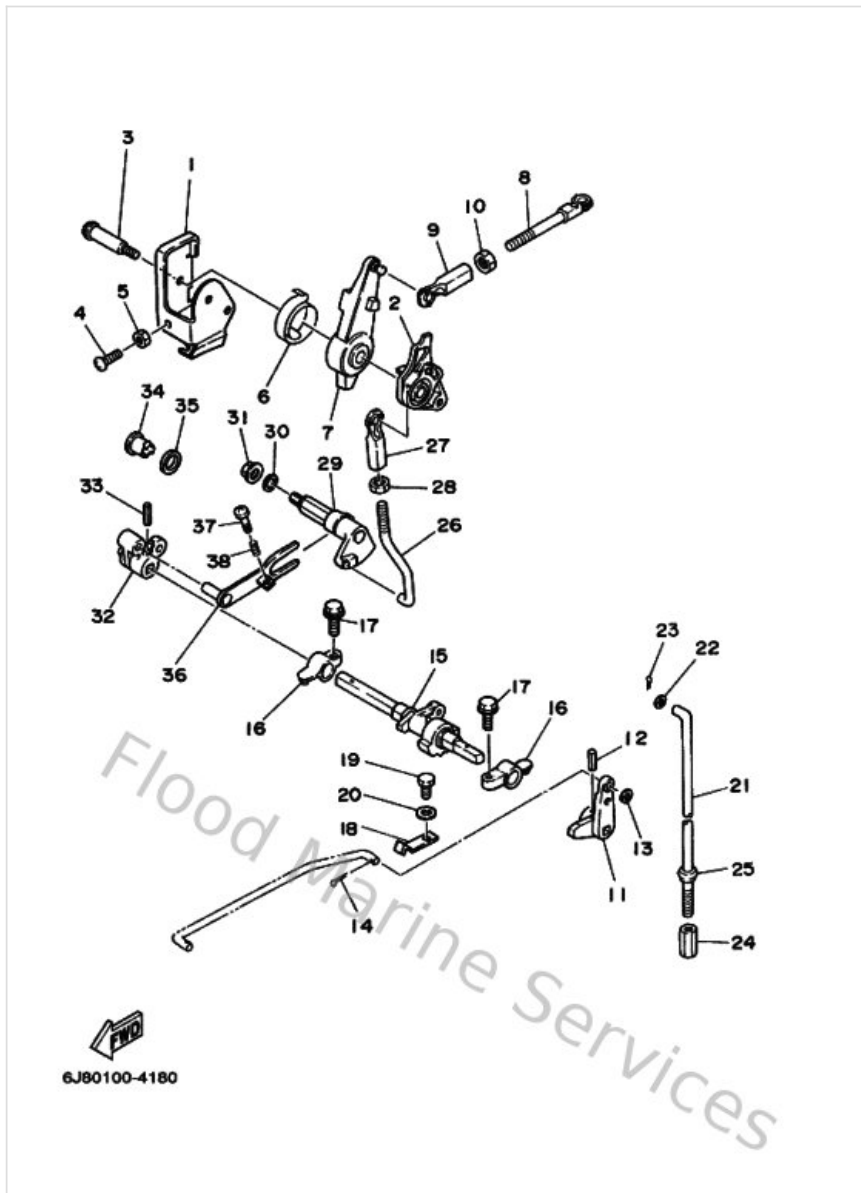


# Control



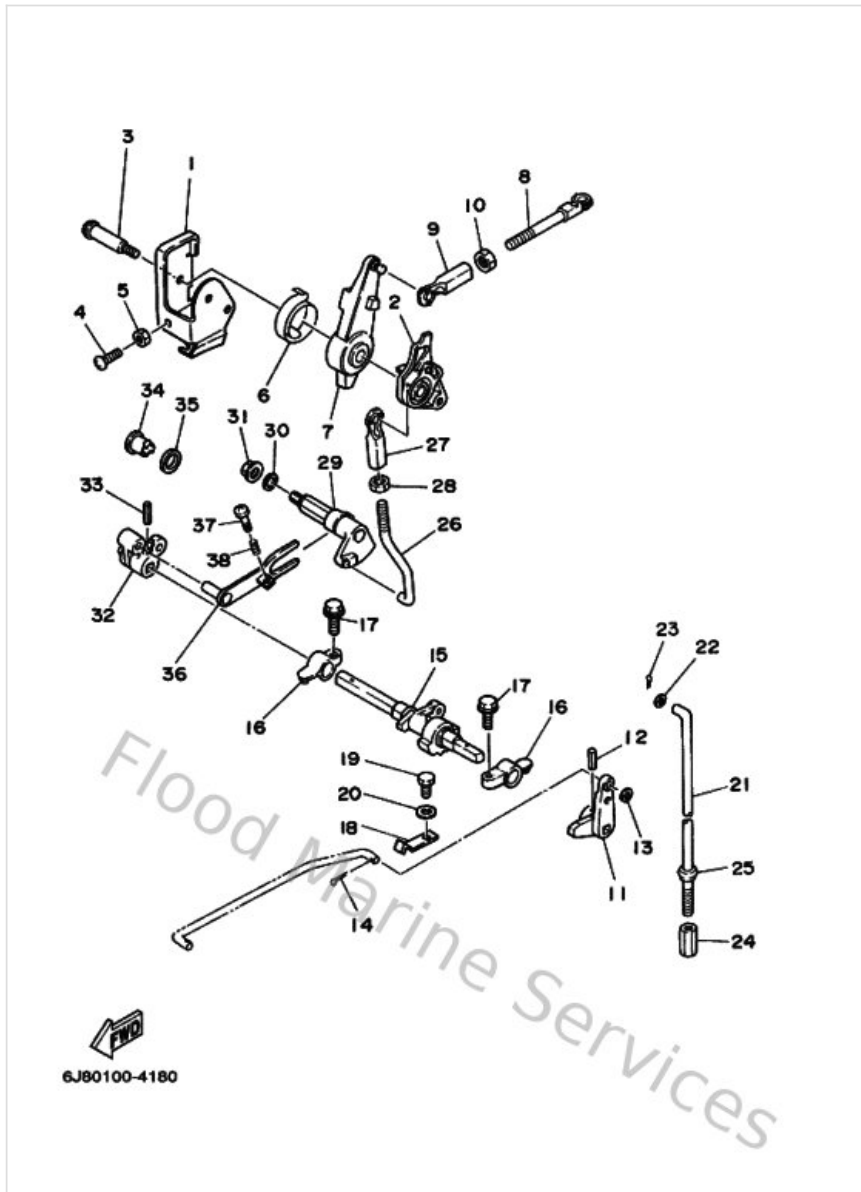
Ref	Part	
1	<a href="#">6J8144970000</a> Stay, throttle wire	<a href="#">Buy now</a>
2	<a href="#">6J8412130000</a> Cam, accel.	<a href="#">Buy now</a>
3	<a href="#">9010906M2800</a> Bolt(6j8)	<a href="#">Buy now</a>
4	<a href="#">978800602500</a> Screw, pan head(6b0)	<a href="#">Buy now</a>
5	<a href="#">953030660000</a> Nut(661)	<a href="#">Buy now</a>
6	<a href="#">6J8421670000</a> Spring 1	<a href="#">Buy now</a>
7	<a href="#">6J8416310200</a> Lever, magneto control	<a href="#">Buy now</a>
8	<a href="#">689421690100</a> Joint	<a href="#">Buy now</a>
9	<a href="#">682412370000</a> Joint, link 2	<a href="#">Buy now</a>
10	<a href="#">953800560000</a> Nut, hexagon (663)	<a href="#">Buy now</a>
11	<a href="#">6J8441230000</a> Arm, shift rod	<a href="#">Buy now</a>
12	<a href="#">9025403M0400</a> Pin, spring (6h3)	<a href="#">Buy now</a>
15	<a href="#">6J8441210000</a> Lever, shift rod	<a href="#">Buy now</a>
16	<a href="#">6G1416620194</a> Bracket	<a href="#">Buy now</a>
17	<a href="#">975130652000</a> Bolt, with washer(61b)	<a href="#">Buy now</a>

# Control



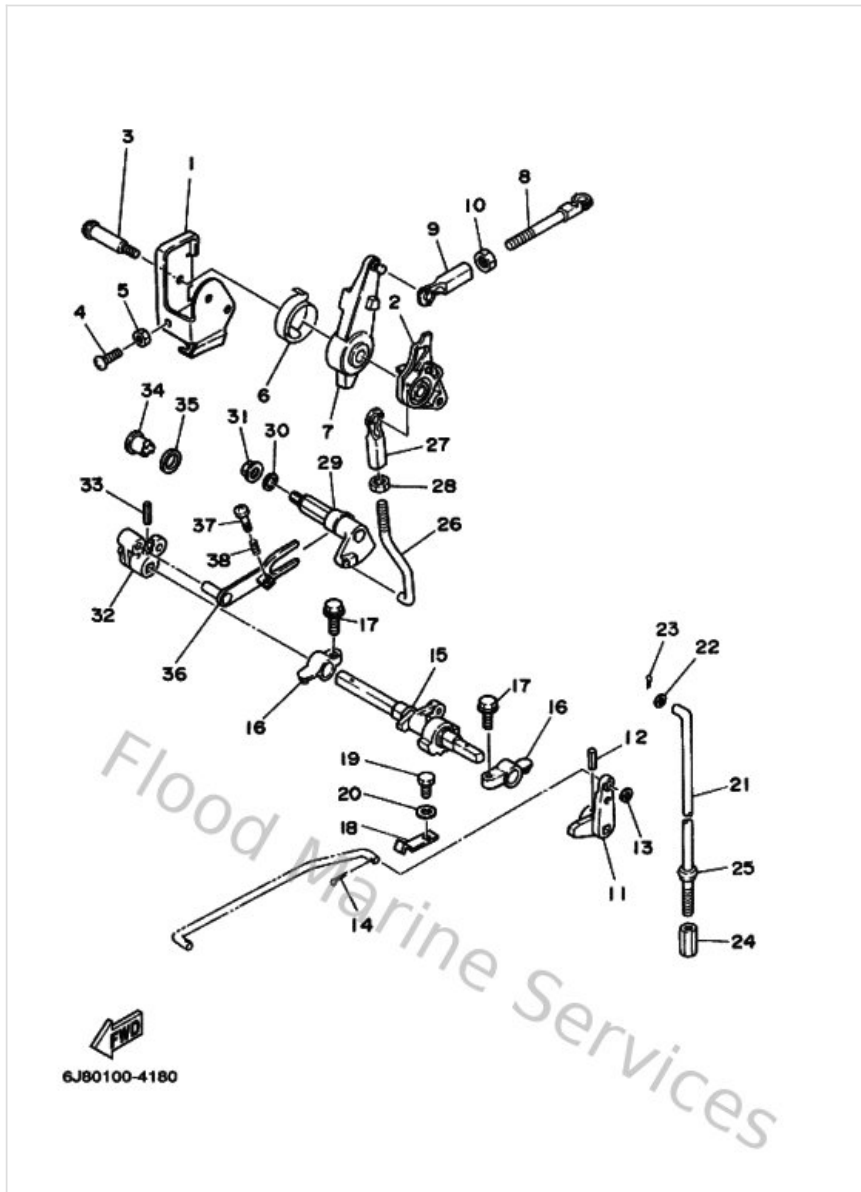
Ref	Part	
18	<a href="#">6J8441160000</a> Spring	<a href="#">Buy now</a>
19	<a href="#">970950601200</a> Bolt(gh1)	<a href="#">Buy now</a>
20	<a href="#">929950660000</a> Washer, plain (646)	<a href="#">Buy now</a>
21	<a href="#">6J8441430000</a> Rod, shift	<a href="#">Buy now</a>
22	<a href="#">929900560000</a> Washer, plain (646)	<a href="#">Buy now</a>
23	<a href="#">914901601000</a> Pin, cotter	<a href="#">Buy now</a>
24	<a href="#">901700601500</a> Connector, shift rod	<a href="#">Buy now</a>
25	<a href="#">689433730100</a> Seal, damper	<a href="#">Buy now</a>
26	<a href="#">6J8421920000</a> Rod 2	<a href="#">Buy now</a>
29	<a href="#">6J8421540100</a> Lever, throttle control	<a href="#">Buy now</a>
30	<a href="#">902021002400</a> Washer plate 648441880000	<a href="#">Buy now</a>
31	<a href="#">957800830000</a> Nut, nylon (6j8)	<a href="#">Buy now</a>
32	<a href="#">6J8441420000</a> Joint	<a href="#">Buy now</a>

# Control 1



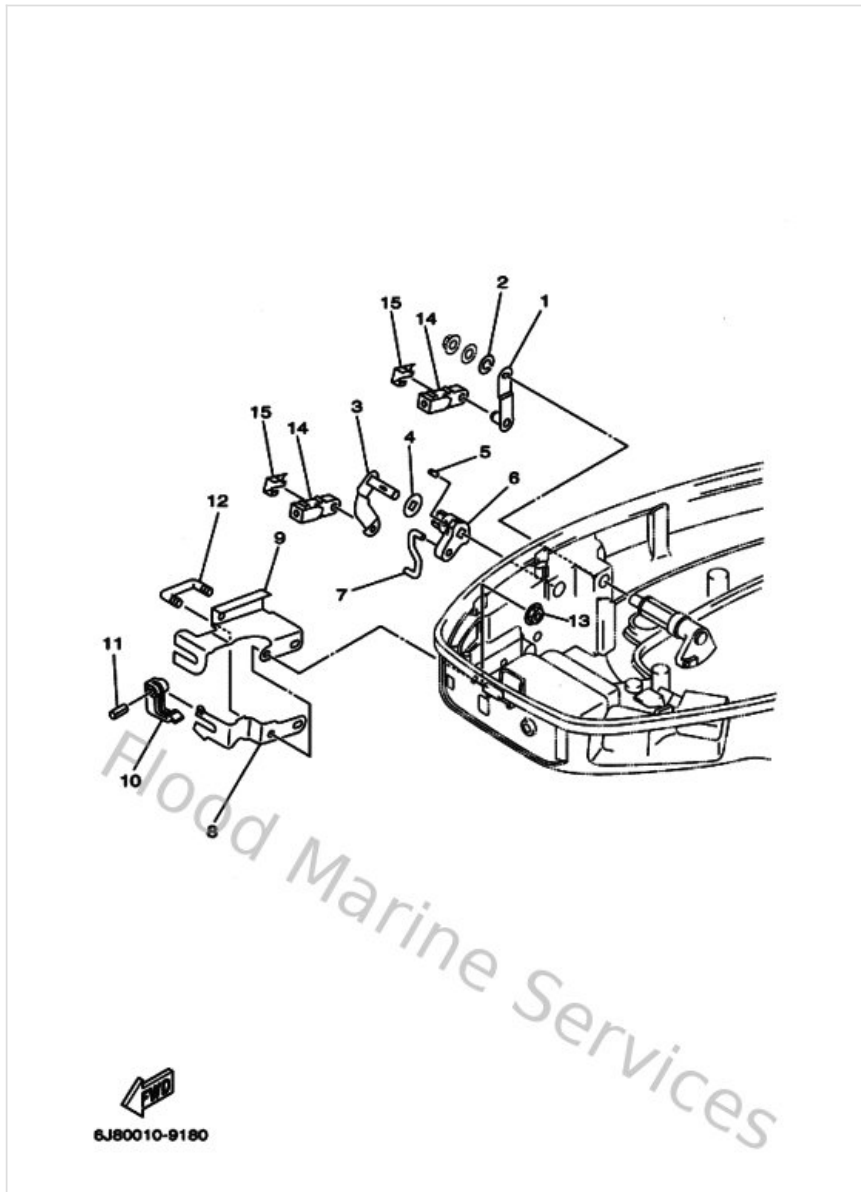
Ref	Part	
1	<a href="#">6J8144970000</a> Stay, throttle wire	<a href="#">Buy now</a>
2	<a href="#">6J8412130000</a> Cam, accel.	<a href="#">Buy now</a>
3	<a href="#">9010906M2800</a> Bolt(6j8)	<a href="#">Buy now</a>
4	<a href="#">978800602500</a> Screw, pan head(6b0)	<a href="#">Buy now</a>
5	<a href="#">953030660000</a> Nut(661)	<a href="#">Buy now</a>
6	<a href="#">6J8421670000</a> Spring 1	<a href="#">Buy now</a>
7	<a href="#">6J8416310200</a> Lever, magneto control	<a href="#">Buy now</a>
8	<a href="#">689421690100</a> Joint	<a href="#">Buy now</a>
9	<a href="#">682412370000</a> Joint, link 2	<a href="#">Buy now</a>
10	<a href="#">953800560000</a> Nut, hexagon (663)	<a href="#">Buy now</a>
11	<a href="#">6J8441230000</a> Arm, shift rod	<a href="#">Buy now</a>
12	<a href="#">9025403M0400</a> Pin, spring (6h3)	<a href="#">Buy now</a>
15	<a href="#">6J8441210000</a> Lever, shift rod	<a href="#">Buy now</a>
16	<a href="#">6G1416620194</a> Bracket	<a href="#">Buy now</a>
17	<a href="#">975130652000</a> Bolt, with washer(61b)	<a href="#">Buy now</a>

# Control 1



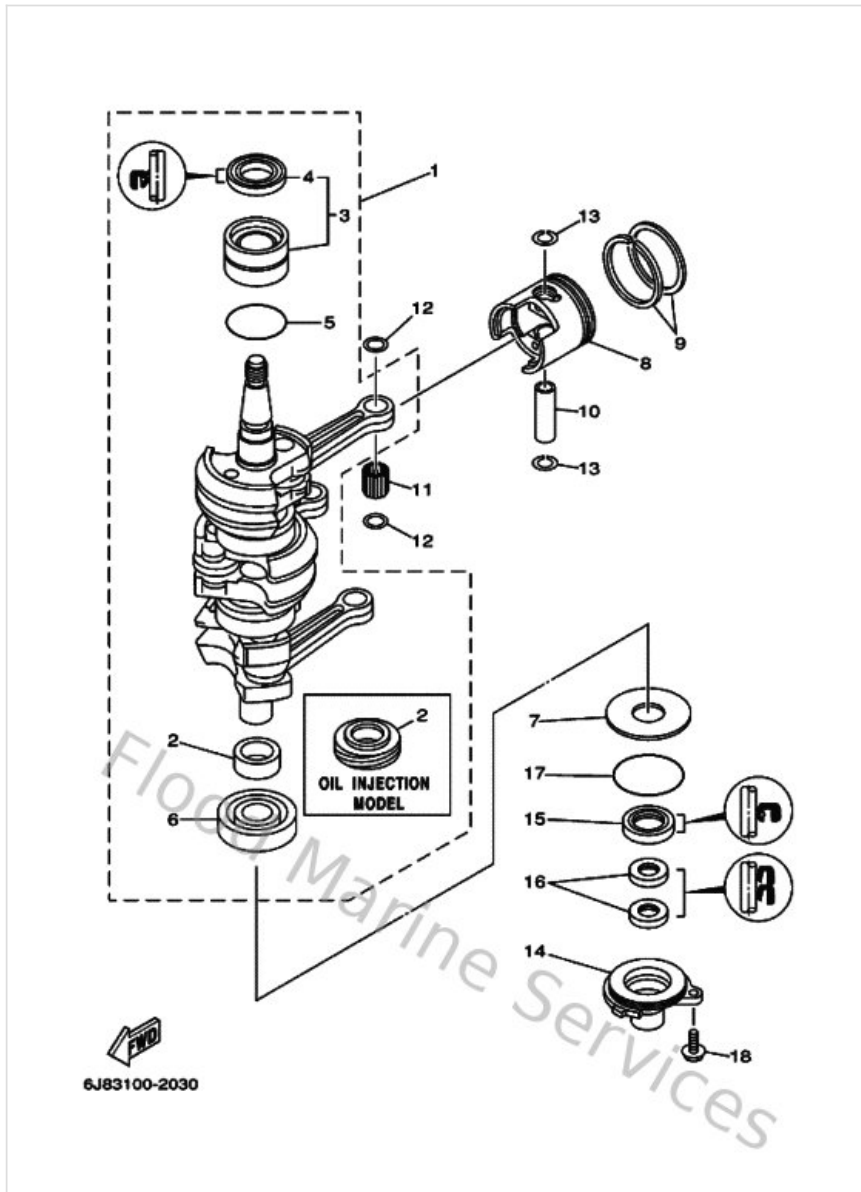
Ref	Part	
18	<a href="#">6J8441160000</a> Spring	<a href="#">Buy now</a>
19	<a href="#">970950601200</a> Bolt(gh1)	<a href="#">Buy now</a>
20	<a href="#">929950660000</a> Washer, plain (646)	<a href="#">Buy now</a>
21	<a href="#">6J8441430000</a> Rod, shift	<a href="#">Buy now</a>
22	<a href="#">929900560000</a> Washer, plain (646)	<a href="#">Buy now</a>
23	<a href="#">914901601000</a> Pin, cotter	<a href="#">Buy now</a>
24	<a href="#">901700601500</a> Connector, shift rod	<a href="#">Buy now</a>
25	<a href="#">689433730100</a> Seal, damper	<a href="#">Buy now</a>
26	<a href="#">6J8421920000</a> Rod 2	<a href="#">Buy now</a>
29	<a href="#">6J8421540100</a> Lever, throttle control	<a href="#">Buy now</a>
30	<a href="#">902021002400</a> Washer plate 648441880000	<a href="#">Buy now</a>
31	<a href="#">957800830000</a> Nut, nylon (6j8)	<a href="#">Buy now</a>
32	<a href="#">6J8441420000</a> Joint	<a href="#">Buy now</a>

## Control 2



Ref	Part	
1	<a href="#">6J8485340000</a> Throttle lever, control	<a href="#">Buy now</a>
2	<a href="#">929900810000</a> Ybs67-8 washer, spring	<a href="#">Buy now</a>
3	<a href="#">6J8485440100</a> Lever, shiftcontrol	<a href="#">Buy now</a>
4	<a href="#">6J8441770000</a> Washer	<a href="#">Buy now</a>
5	<a href="#">9025403M0300</a> Pin, spring	<a href="#">Buy now</a>
6	<a href="#">6J8441730200</a> Lever, shift control	<a href="#">Buy now</a>
7	<a href="#">6J8421690100</a> Joint	<a href="#">Buy now</a>
8	<a href="#">6J8485310000</a> Bracket, remote control	<a href="#">Buy now</a>
9	<a href="#">6J8485320000</a> Bracket, remote control 2	<a href="#">Buy now</a>
10	<a href="#">682485385000</a> Clamp, cable	<a href="#">Buy now</a>
11	<a href="#">916903001200</a> Pin, spring	<a href="#">Buy now</a>
12	<a href="#">9010906M2900</a> Bolt(6j8)	<a href="#">Buy now</a>
13	<a href="#">9017906M2400</a> Nut(6j8)	<a href="#">Buy now</a>
14	<a href="#">6G8263630000</a> End, wire 1	<a href="#">Buy now</a>
15	<a href="#">6G8263640000</a> End, wire 2	<a href="#">Buy now</a>

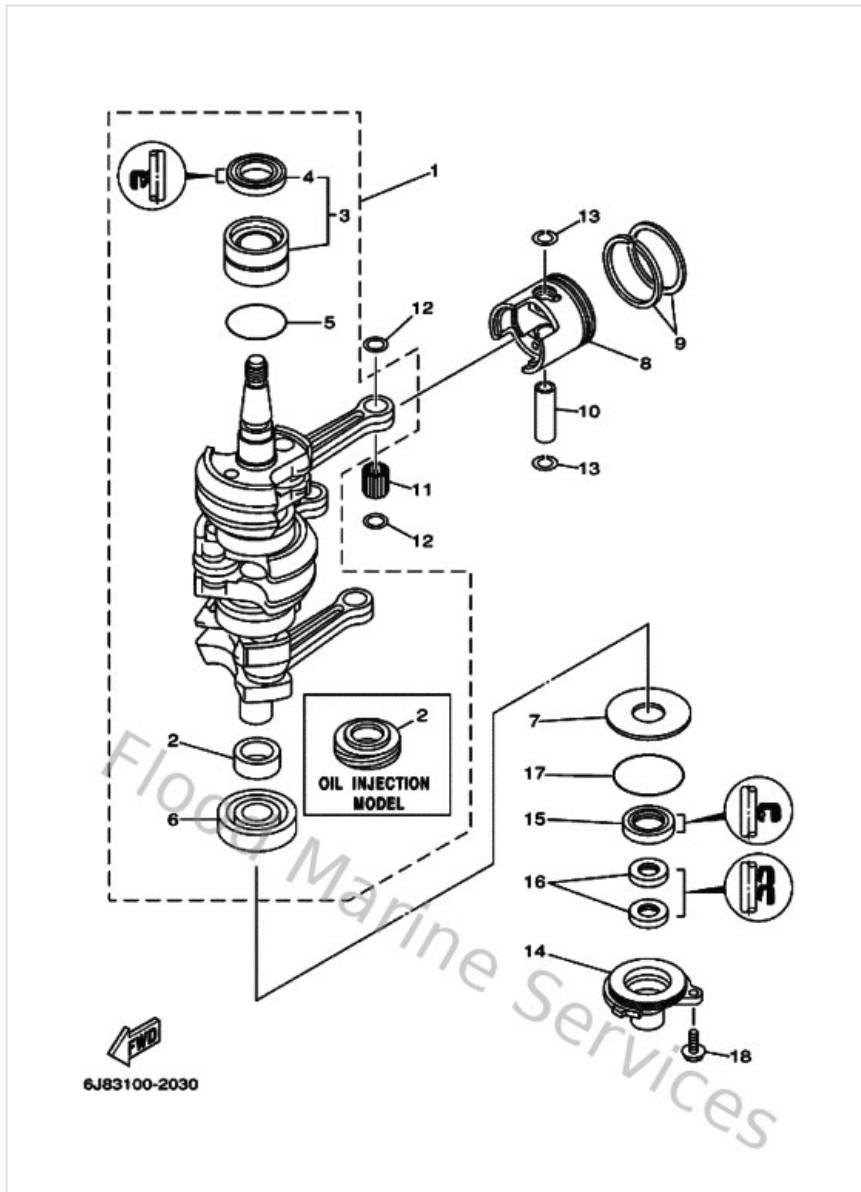
# Crankshaft & Piston



Ref	Part	
1	<a href="#">6J8114001100</a> Crankshaft assembly	<a href="#">Buy now</a>
2	<a href="#">6J8115360000</a> Gear, drive	<a href="#">Buy now</a>
3	<a href="#">93311632U700</a> Bearing, cylindrical(6j8)	<a href="#">Buy now</a>
4	<a href="#">9310226M2700</a> Oil seal(6j8)	<a href="#">Buy now</a>
5	<a href="#">932104215900</a> O-ring (647)	<a href="#">Buy now</a>
6	<a href="#">93306305U300</a> Bearing(6j8)	<a href="#">Buy now</a>
7	<a href="#">902015030600</a> Washer plate 648115870000	<a href="#">Buy now</a>
8	<a href="#">6J8116310297</a> Piston (std)	<a href="#">Buy now</a>
9	<a href="#">6J8116012100</a> Piston ring set (2nd o/s)	<a href="#">Buy now</a>
10	<a href="#">6J8116330000</a> Pin, piston	<a href="#">Buy now</a>
11	<a href="#">9360216M1000</a> Pin, dowel(6j8)	<a href="#">Buy now</a>
12	<a href="#">902011637900</a> Washer plate	<a href="#">Buy now</a>
13	<a href="#">934501712900</a> Circlip(1ar)	<a href="#">Buy now</a>
14	<a href="#">6J81539600CA</a> Housing, oil seal	<a href="#">Buy now</a>
15	<a href="#">9310125M2800</a> Oil seal(6j8)	<a href="#">Buy now</a>

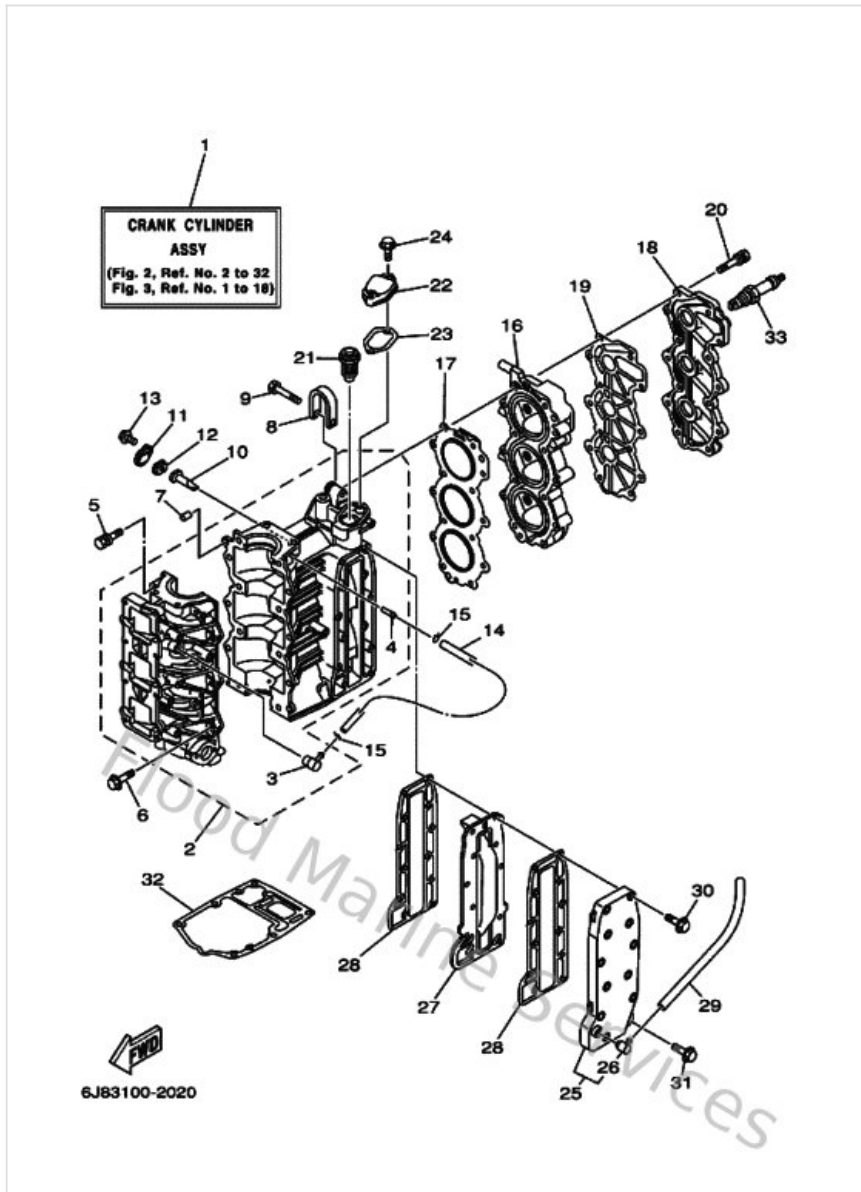


# Crankshaft & Piston



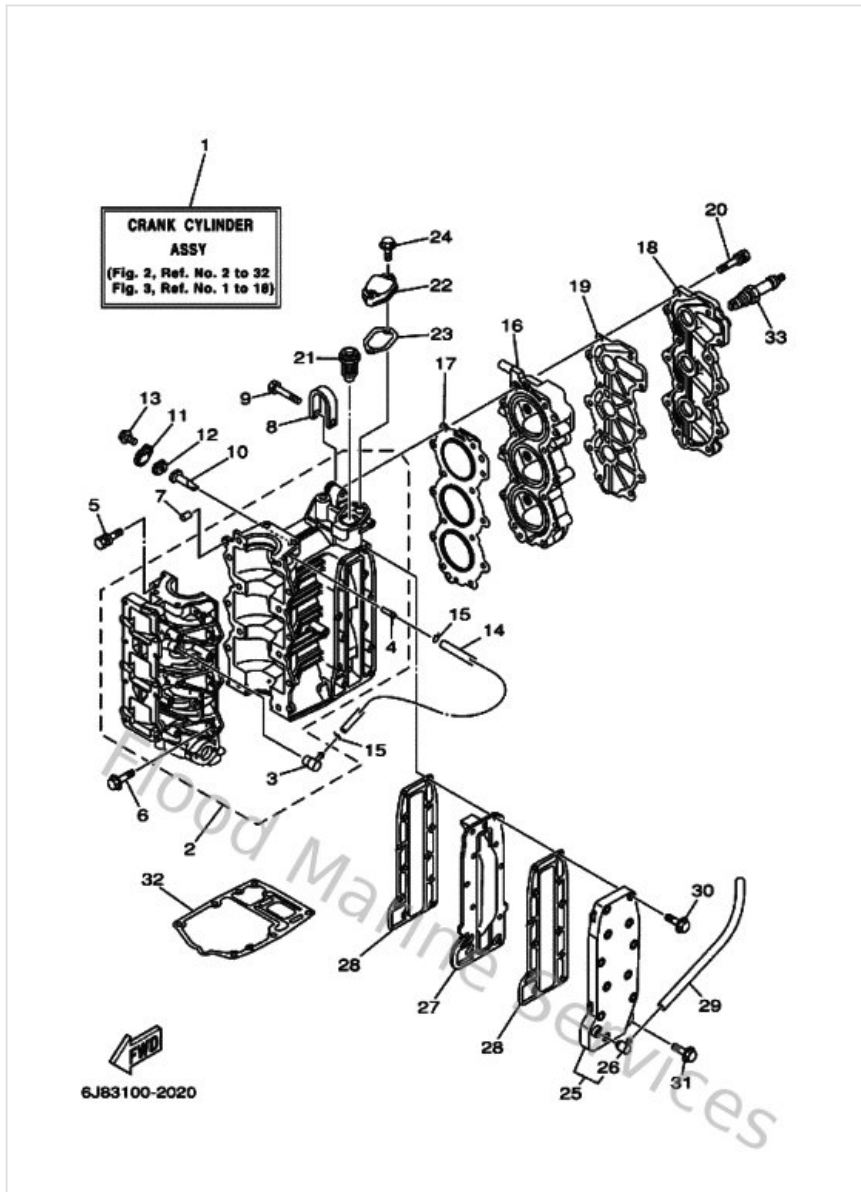
Ref	Part	
16	<a href="#">9310416M0400</a> Oil seal(6a8)	<a href="#">Buy now</a>
17	<a href="#">9321056M8000</a> O-ring(6j8)	<a href="#">Buy now</a>
18	<a href="#">901190602300</a> Bolt, with washer	<a href="#">Buy now</a>
8	<a href="#">6j8116360200</a> Piston (0.50mm o/s)	<a href="#">Buy now</a>
9	<a href="#">6j8116010100</a> Piston ring set (std)	<a href="#">Buy now</a>
14	<a href="#">6j815396005B</a> Housing, oil seal	<a href="#">Buy now</a>
16	<a href="#">9310116M3600</a> Oil seal(6a8)	<a href="#">Buy now</a>
18	<a href="#">970130601600</a> Bolt, hexagon deep recess	<a href="#">Buy now</a>
19	<a href="#">929030660000</a> Washer, plain (646)	<a href="#">Buy now</a>

# Cylinder & Crankcase



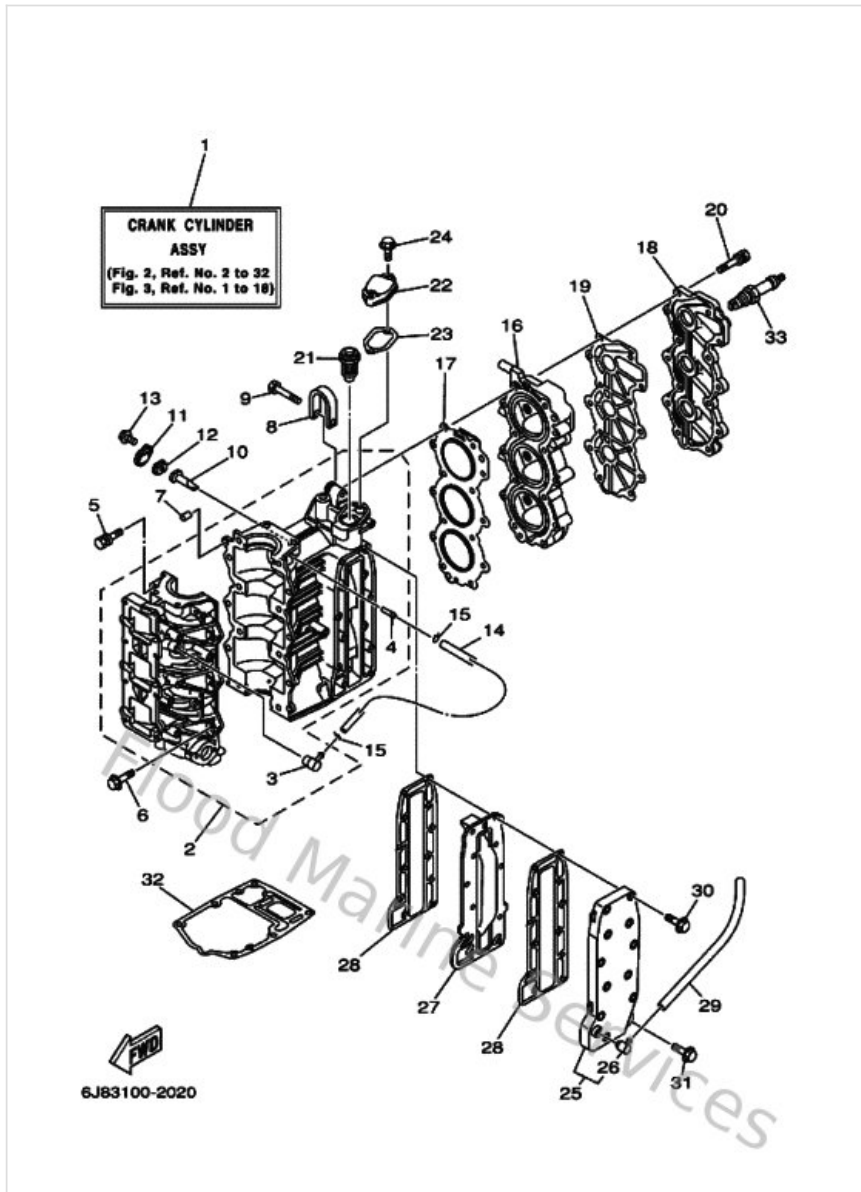
Ref	Part	
1	<a href="#">6J8W0090421S</a> Crank cylinder assembly	<a href="#">Buy now</a>
2	<a href="#">6J815100111S</a> Crankcase assembly	<a href="#">Buy now</a>
3	<a href="#">650113700000</a> Check valve assembly	<a href="#">Buy now</a>
4	<a href="#">624144850000</a> Pipe, joint	<a href="#">Buy now</a>
5	<a href="#">901190801900</a> Bolt, with washer	<a href="#">Buy now</a>
6	<a href="#">9011906MA400</a> Bolt, with washer	<a href="#">Buy now</a>
7	<a href="#">936061201900</a> Pin, dowel (614)	<a href="#">Buy now</a>
8	<a href="#">6F5111190000</a> Hanger, engine	<a href="#">Buy now</a>
9	<a href="#">901010800100</a> Bolt	<a href="#">Buy now</a>
10	<a href="#">6J8113250000</a> Anode	<a href="#">Buy now</a>
11	<a href="#">6H311327001S</a> Cover, anode	<a href="#">Buy now</a>
12	<a href="#">6H3113280000</a> Grommet, anode	<a href="#">Buy now</a>
13	<a href="#">901190602300</a> Bolt, with washer	<a href="#">Buy now</a>
14	<a href="#">9044507MA300</a> Hose (1200)	<a href="#">Buy now</a>
15	<a href="#">904670601600</a> Clip (655)	<a href="#">Buy now</a>

# Cylinder & Crankcase



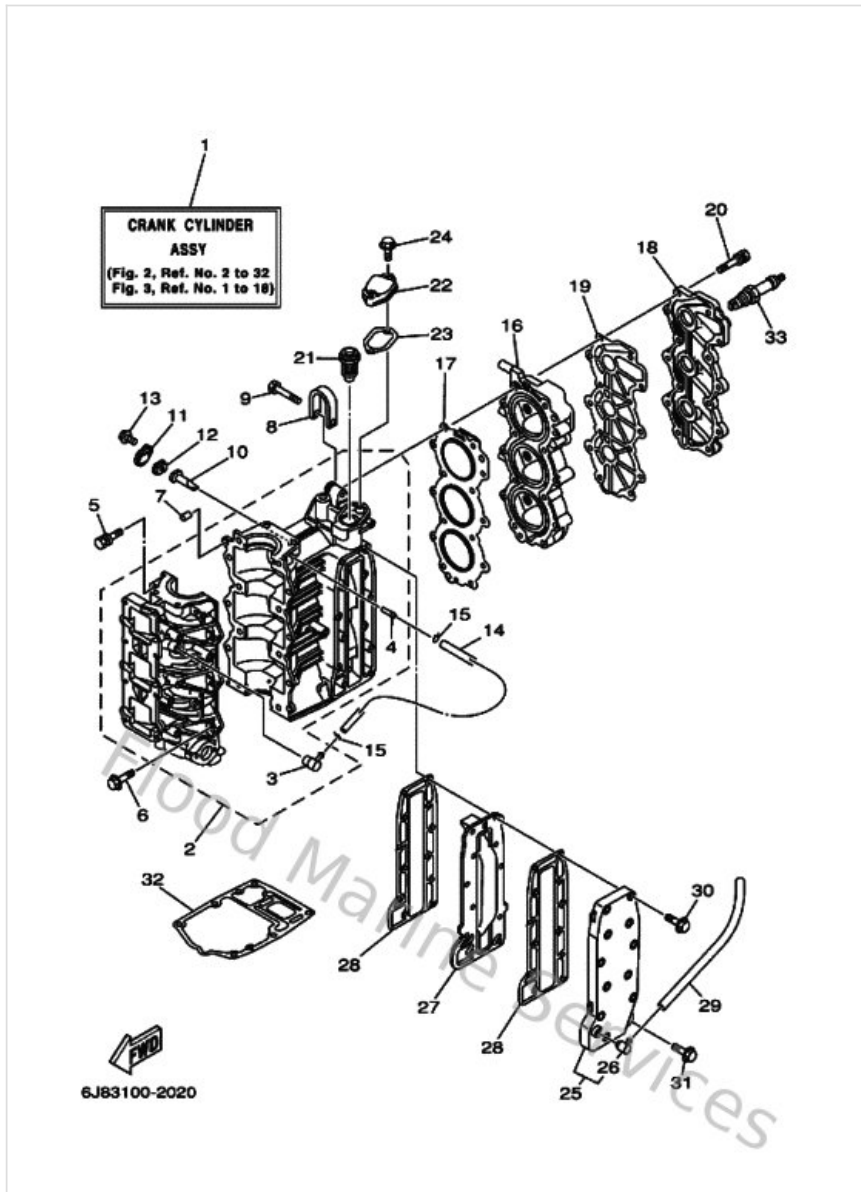
Ref	Part	
16	<a href="#">6J81111001S</a> Head, cylinder 1	<a href="#">Buy now</a>
17	<a href="#">6J811181A200</a> Gasket, cylinder head 1	<a href="#">Buy now</a>
18	<a href="#">6J811191001S</a> Cover, cylinder head 1	<a href="#">Buy now</a>
19	<a href="#">6J811193A100</a> Gasket, head cover 1	<a href="#">Buy now</a>
20	<a href="#">9011908MA800</a> Bolt, with washer	<a href="#">Buy now</a>
21	<a href="#">6E5124113000</a> Thermostat	<a href="#">Buy now</a>
22	<a href="#">6H412413001S</a> Cover, thermostat	<a href="#">Buy now</a>
23	<a href="#">6J812414A000</a> Gasket, cover	<a href="#">Buy now</a>
24	<a href="#">9011906MA300</a> Bolt, with washer	<a href="#">Buy now</a>
25	<a href="#">6J841113001S</a> Outer cover, exhaust	<a href="#">Buy now</a>
26	<a href="#">676113720000</a> Nipple, hose	<a href="#">Buy now</a>
27	<a href="#">6J841111001S</a> Inner cover, exhaust	<a href="#">Buy now</a>
28	<a href="#">6J841114A000</a> Gasket, exhaust outer cover	<a href="#">Buy now</a>
29	<a href="#">6J81111J0000</a> Pipe 1	<a href="#">Buy now</a>
30	<a href="#">9011906MA500</a> Bolt, with washer	<a href="#">Buy now</a>

# Cylinder & Crankcase



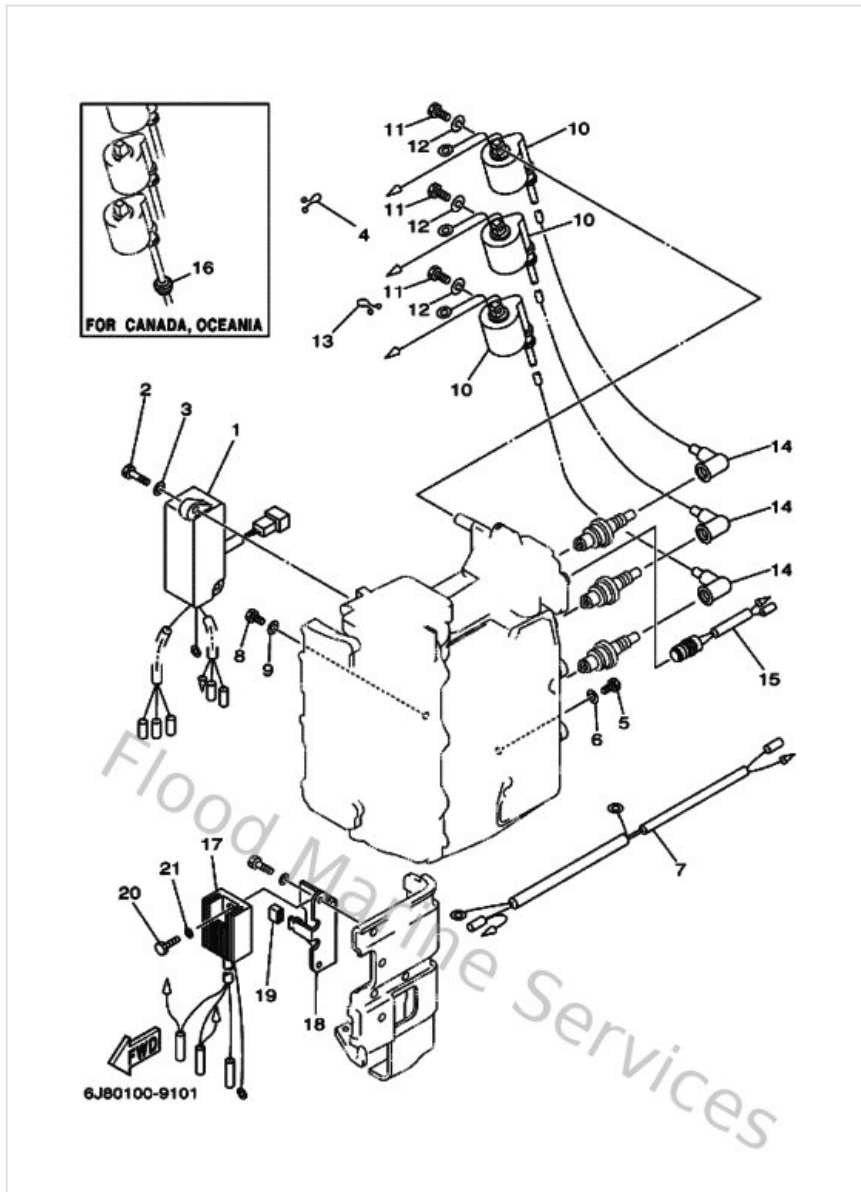
Ref	Part	
32	<a href="#">6J845113A000</a> Gasket, upper casing	<a href="#">Buy now</a>
33	<a href="#">947020027100</a> Plug, spark (br7hs-10)	<a href="#">Buy now</a>
1	<a href="#">6J8W0090424D</a> Crank cylinder assembly	<a href="#">Buy now</a>
2	<a href="#">6J8151001194</a> Crankcase assembly	<a href="#">Buy now</a>
6	<a href="#">970130603000</a> Bolt	<a href="#">Buy now</a>
7	<a href="#">929030660000</a> Washer, plain (646)	<a href="#">Buy now</a>
10	<a href="#">970130803500</a> Bolt	<a href="#">Buy now</a>
12	<a href="#">6H3113270094</a> Cover, anode	<a href="#">Buy now</a>
14	<a href="#">970130601600</a> Bolt, hexagon deep recess	<a href="#">Buy now</a>
18	<a href="#">6J8111110094</a> Head, cylinder 1	<a href="#">Buy now</a>
19	<a href="#">6J811181A100</a> Gasket, cylinder head 1	<a href="#">Buy now</a>
22	<a href="#">9011908M2100</a> Bolt, with washer(63v)	<a href="#">Buy now</a>
23	<a href="#">688124111000</a> Thermostat	<a href="#">Buy now</a>
26	<a href="#">970130602500</a> Bolt(62y)	<a href="#">Buy now</a>
28	<a href="#">6J841113009M</a> Outer cover, exhaust	<a href="#">Buy now</a>

# Cylinder & Crankcase



Ref	Part	
30	<a href="#">6J841111009M</a> Inner cover, exhaust	<a href="#">Buy now</a>
33	<a href="#">970130603500</a> Bolt(3rv)	<a href="#">Buy now</a>

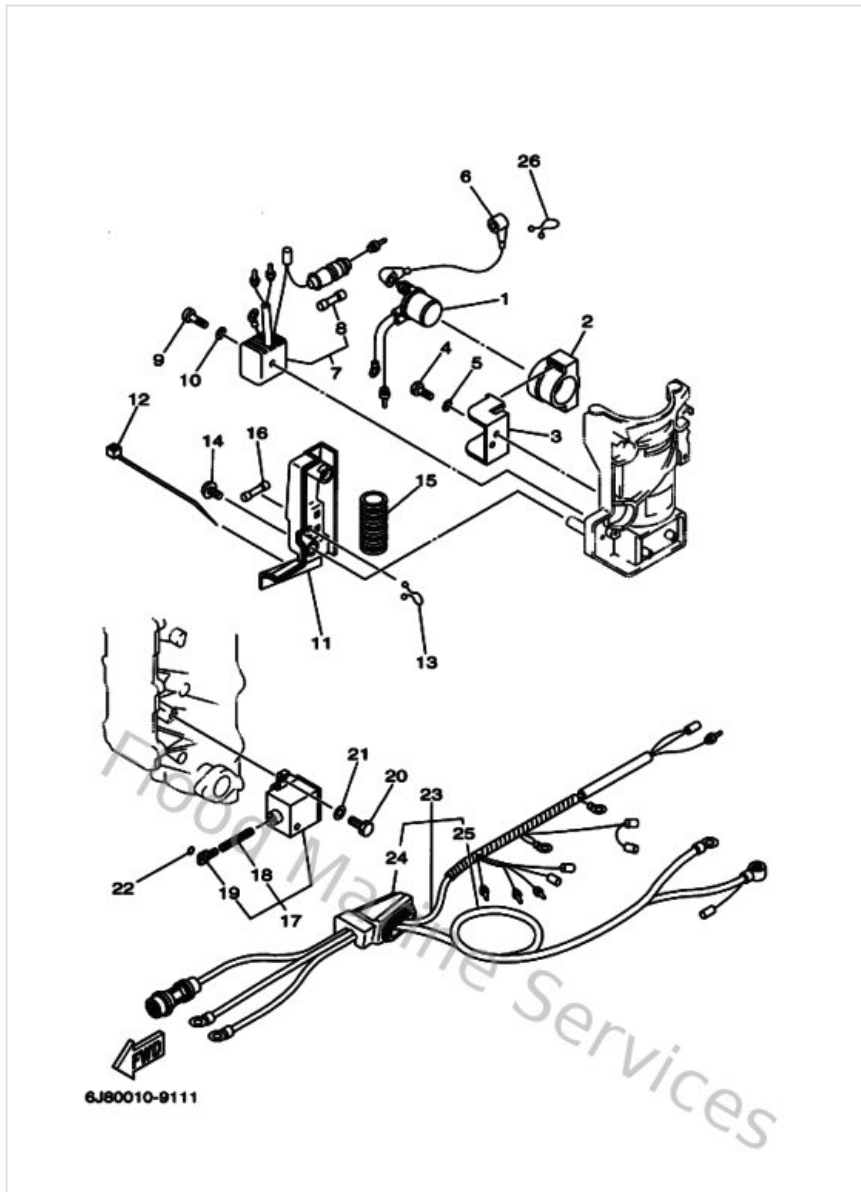
# Electrical 1



Ref	Part	
1	<a href="#">6J885540H200</a> C.d.i. unit assembly	<a href="#">Buy now</a>
2	<a href="#">970950602500</a> Bolt	<a href="#">Buy now</a>
3	<a href="#">929950660000</a> Washer, plain (646)	<a href="#">Buy now</a>
5	<a href="#">970800601200</a> Bolt(gh1)	<a href="#">Buy now</a>
10	<a href="#">6J8855702100</a> Ignition coil assembly	<a href="#">Buy now</a>
11	<a href="#">970800602000</a> Bolt(7u8)	<a href="#">Buy now</a>
12	<a href="#">929950610000</a> Washer(6a1)	<a href="#">Buy now</a>
13	<a href="#">9046405M1600</a> Clamp(6j8)	<a href="#">Buy now</a>
14	<a href="#">6G1823702100</a> Plug cap assembly	<a href="#">Buy now</a>
15	<a href="#">689825600000</a> Thermo switch assembly	<a href="#">Buy now</a>
16	<a href="#">904802516100</a> Grommet(656)	<a href="#">Buy now</a>
8	<a href="#">970950601200</a> Bolt(gh1)	<a href="#">Buy now</a>
9	<a href="#">929900660000</a> Washer, plain (646)	<a href="#">Buy now</a>
11	<a href="#">970950602000</a> Bolt(7u8)	<a href="#">Buy now</a>

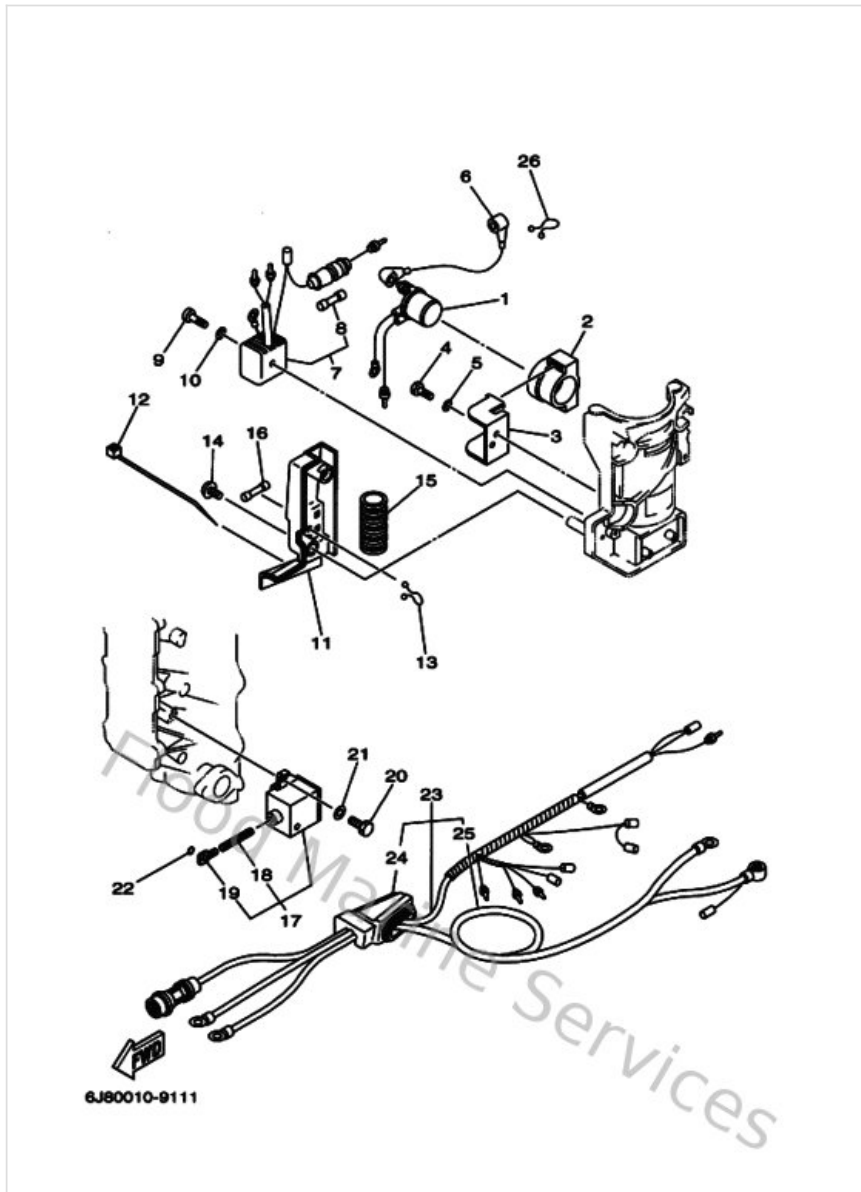


## Electrical 2



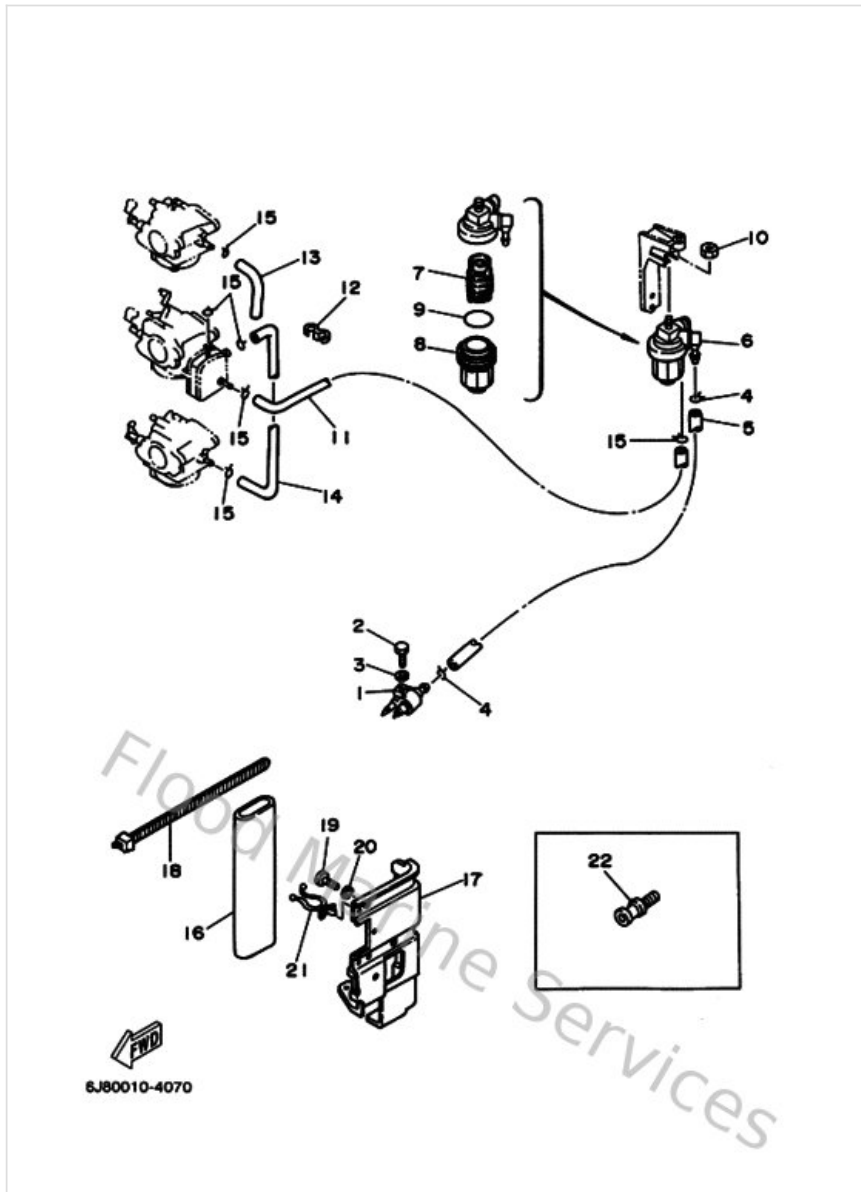
Ref	Part	
1	<a href="#">6G1819411000</a> Starter relay	<a href="#">Buy now</a>
2	<a href="#">6G1819520000</a> Holder, relay	<a href="#">Buy now</a>
3	<a href="#">6J8819450000</a> Plate, switch fitting	<a href="#">Buy now</a>
4	<a href="#">970140601600</a> Bolt, hexagon deep recess	<a href="#">Buy now</a>
5	<a href="#">929030660000</a> Washer, plain (646)	<a href="#">Buy now</a>
6	<a href="#">6F5821170000</a> Wire, lead	<a href="#">Buy now</a>
7	<a href="#">6G1819706200</a> Rectifier assembly	<a href="#">Buy now</a>
8	<a href="#">6G1821510000</a> Fuse (10a)	<a href="#">Buy now</a>
9	<a href="#">978800502500</a> Screw, panhead (a93)	<a href="#">Buy now</a>
10	<a href="#">929900560000</a> Washer, plain (646)	<a href="#">Buy now</a>
11	<a href="#">6J8819161000</a> Cover, terminal	<a href="#">Buy now</a>
12	<a href="#">9046513M1800</a> Clamp	<a href="#">Buy now</a>
13	<a href="#">904651814700</a> Clamp	<a href="#">Buy now</a>
14	<a href="#">9015905M2600</a> Screw, with washer(6g7)	<a href="#">Buy now</a>
15	<a href="#">6E9835577000</a> Tube	<a href="#">Buy now</a>

## Electrical 2



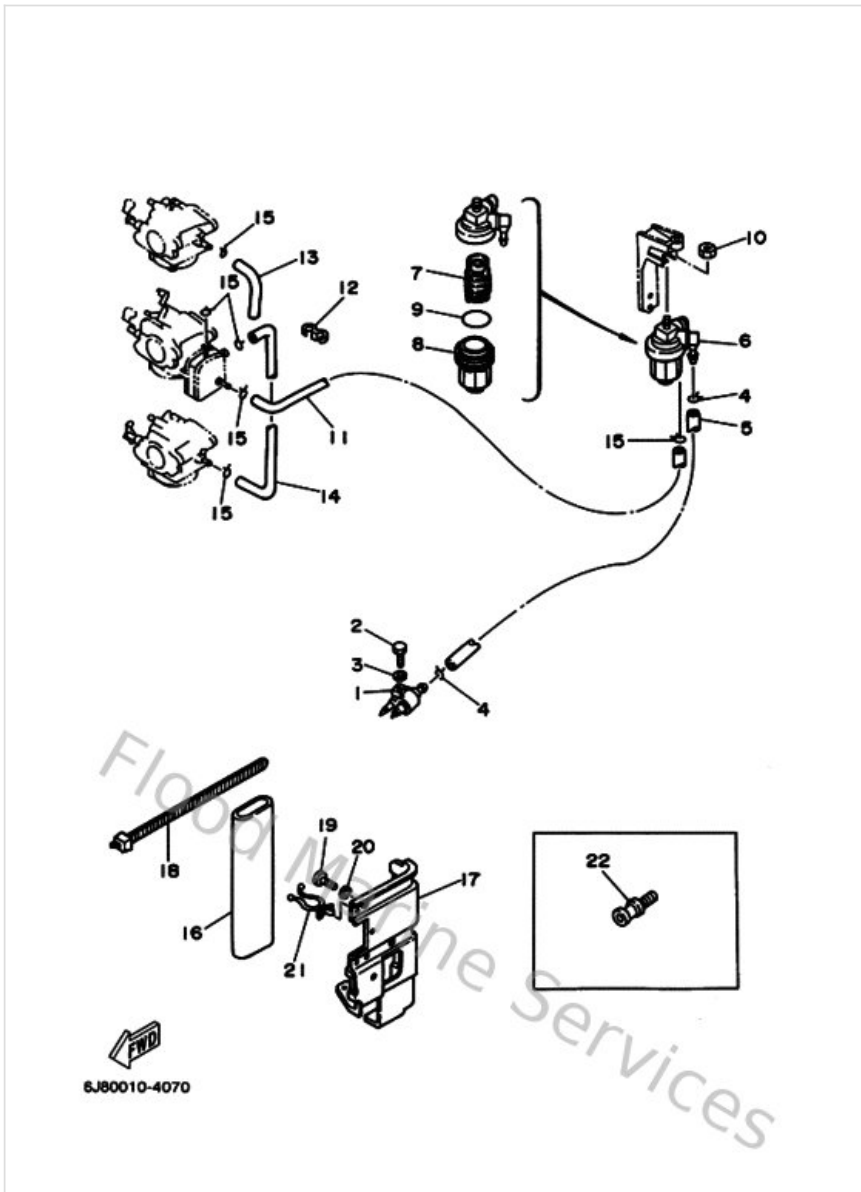
Ref	Part	
16	<a href="#">1E6821510000</a> Fuse (10a)	<a href="#">Buy now</a>
17	<a href="#">6J8861100000</a> Solenoid	<a href="#">Buy now</a>
18	<a href="#">6J8861160000</a> Wire, pull	<a href="#">Buy now</a>
19	<a href="#">682861170000</a> Hook, wire pull	<a href="#">Buy now</a>
22	<a href="#">932100326100</a> O-ring (663)	<a href="#">Buy now</a>
23	<a href="#">6J8825800000</a> Wire harness assembly 2	<a href="#">Buy now</a>
24	<a href="#">6J8427245000</a> Grommet	<a href="#">Buy now</a>
25	<a href="#">689821051300</a> Battery cable	<a href="#">Buy now</a>
26	<a href="#">9046415M1100</a> Clamp (3y2)	<a href="#">Buy now</a>

# Fuel



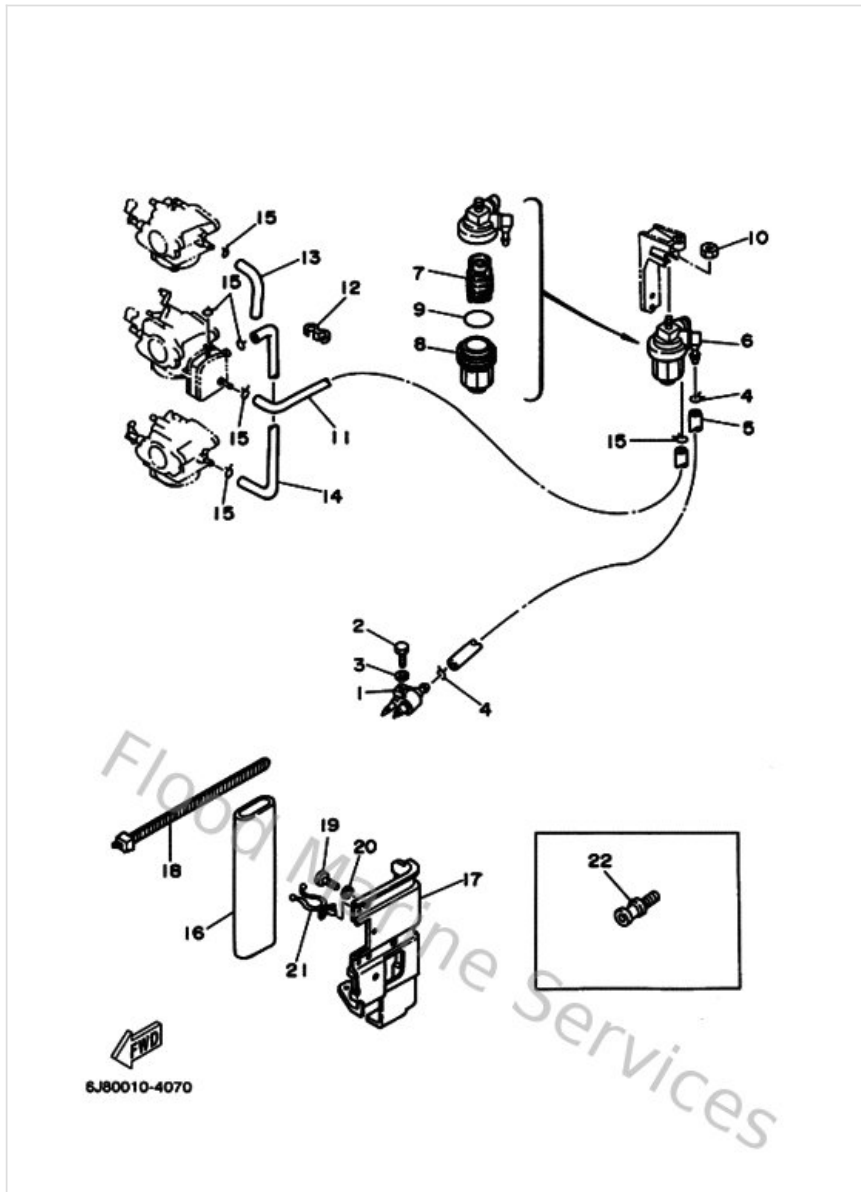
Ref	Part	
1	<a href="#">6G1243040200</a> Fuel pipe joint comp. 1	<a href="#">Buy now</a>
2	<a href="#">970950602500</a> Bolt	<a href="#">Buy now</a>
3	<a href="#">929950660000</a> Washer, plain (646)	<a href="#">Buy now</a>
4	<a href="#">904670800400</a> Clip, pipe 6162435600	<a href="#">Buy now</a>
5	<a href="#">9044509M0000</a> Hose (1180)	<a href="#">Buy now</a>
6	<a href="#">61N245600000</a> Filter assembly	<a href="#">Buy now</a>
7	<a href="#">61N245630000</a> Element, filter	<a href="#">Buy now</a>
8	<a href="#">61N245210000</a> Cup, filter	<a href="#">Buy now</a>
9	<a href="#">932103273800</a> O-ring(1wg)	<a href="#">Buy now</a>
10	<a href="#">9017908M1500</a> Nut(6j8)	<a href="#">Buy now</a>
11	<a href="#">6E5243120000</a> Pipe 2	<a href="#">Buy now</a>
12	<a href="#">9046409M2100</a> Clamp(6j8)	<a href="#">Buy now</a>
13	<a href="#">688243130000</a> Pipe, fuel 2	<a href="#">Buy now</a>
14	<a href="#">6A4243120000</a> Pipe, fuel 2	<a href="#">Buy now</a>
16	<a href="#">656W28100200</a> Tool kit	<a href="#">Buy now</a>

# Fuel



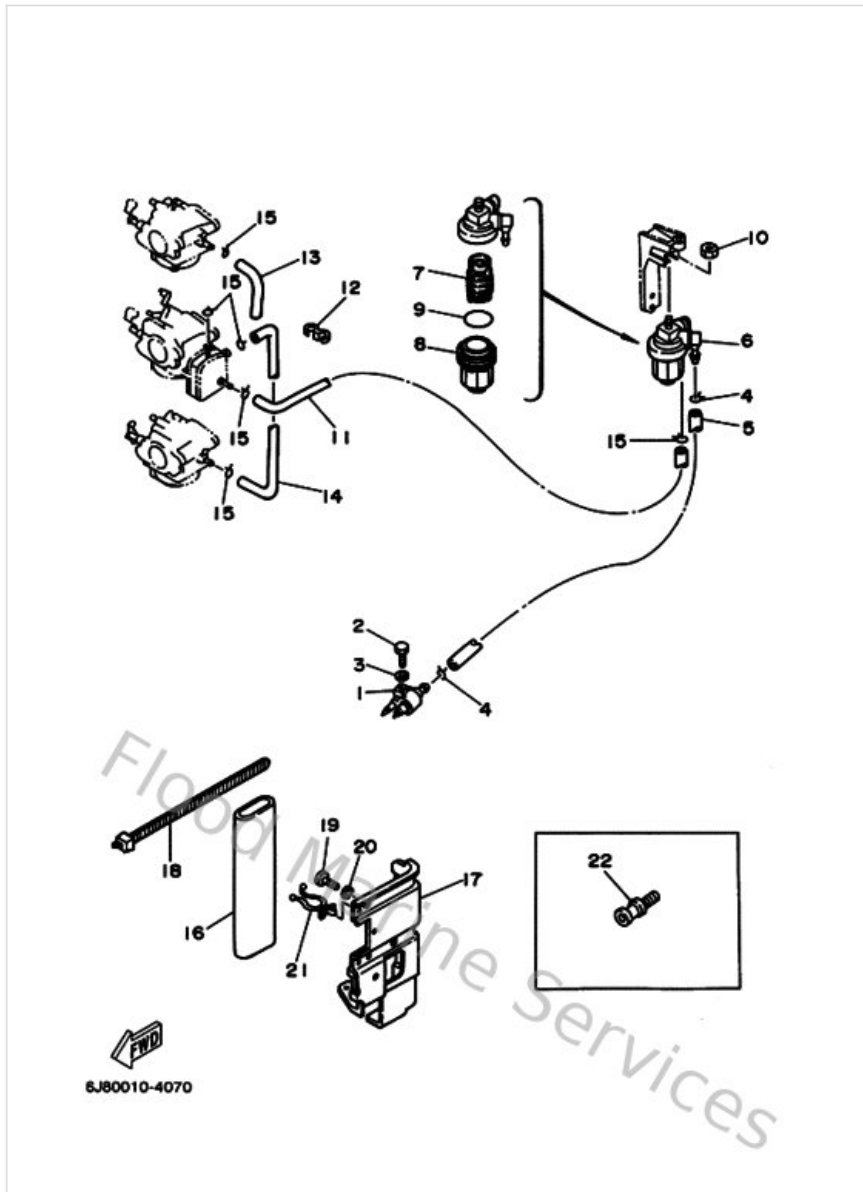
Ref	Part	
22	<a href="#">6E0281930094</a> Plug, water check	<a href="#">Buy now</a>

# Fuel 1



Ref	Part	
1	<a href="#">6G1243040200</a> Fuel pipe joint comp. 1	<a href="#">Buy now</a>
2	<a href="#">970950602500</a> Bolt	<a href="#">Buy now</a>
3	<a href="#">929950660000</a> Washer, plain (646)	<a href="#">Buy now</a>
4	<a href="#">904670800400</a> Clip, pipe 6162435600	<a href="#">Buy now</a>
5	<a href="#">9044509M0000</a> Hose (1180)	<a href="#">Buy now</a>
6	<a href="#">61N245600000</a> Filter assembly	<a href="#">Buy now</a>
7	<a href="#">61N245630000</a> Element, filter	<a href="#">Buy now</a>
8	<a href="#">61N245210000</a> Cup, filter	<a href="#">Buy now</a>
9	<a href="#">932103273800</a> O-ring(1wg)	<a href="#">Buy now</a>
10	<a href="#">9017908M1500</a> Nut(6j8)	<a href="#">Buy now</a>
11	<a href="#">6E5243120000</a> Pipe 2	<a href="#">Buy now</a>
12	<a href="#">9046409M2100</a> Clamp(6j8)	<a href="#">Buy now</a>
13	<a href="#">688243130000</a> Pipe, fuel 2	<a href="#">Buy now</a>
14	<a href="#">6A4243120000</a> Pipe, fuel 2	<a href="#">Buy now</a>
16	<a href="#">656W28100200</a> Tool kit	<a href="#">Buy now</a>

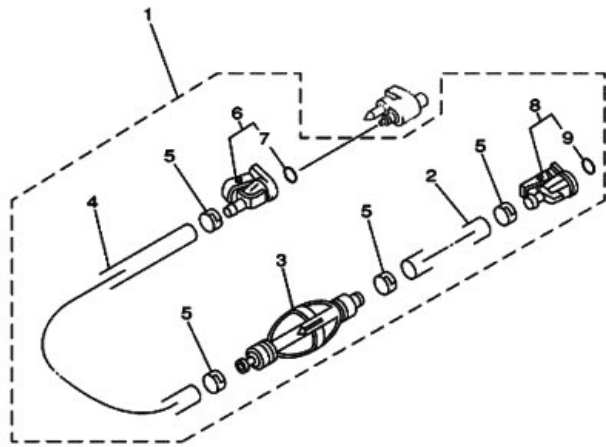
# Fuel 1



Ref	Part	
22	<a href="#">6E0281930094</a> Plug, water check	<a href="#">Buy now</a>



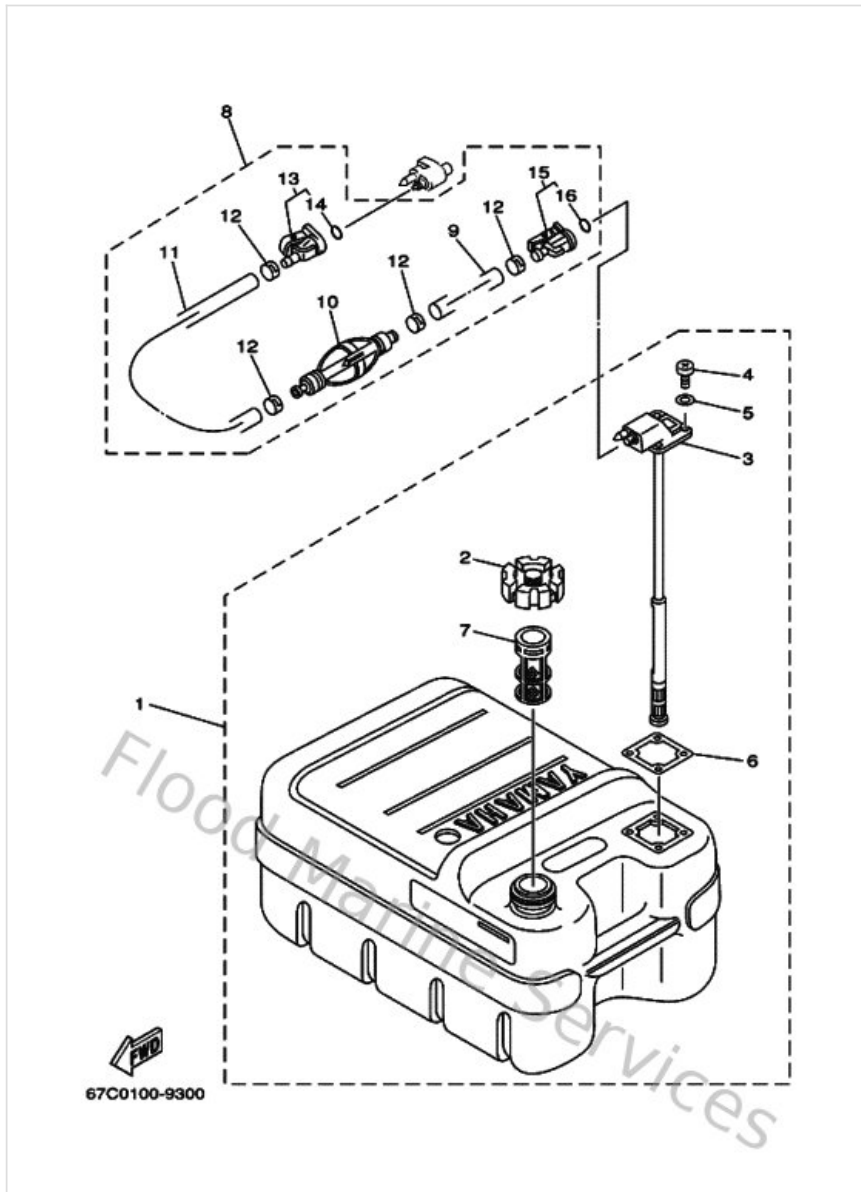
## Fuel 2



Flood Marine Services

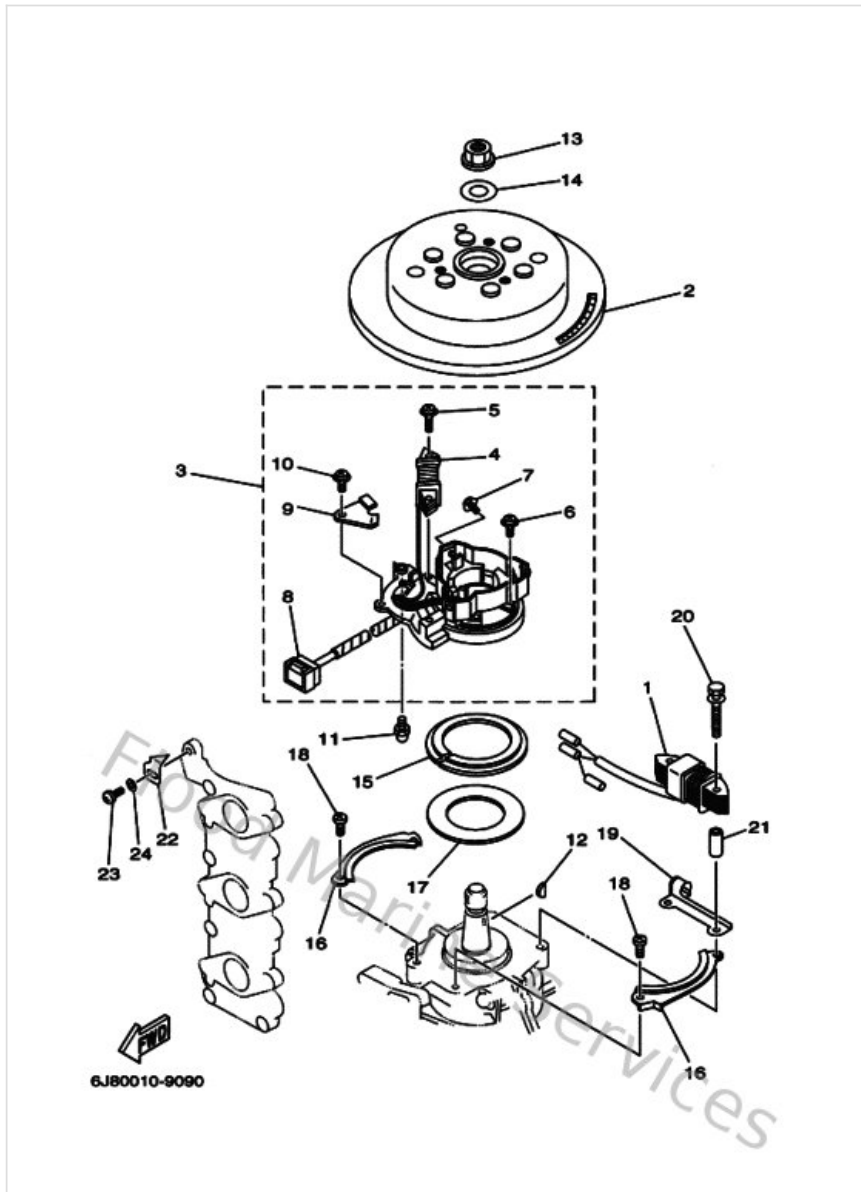
Ref	Part	
1	<a href="#">6Y1243065300</a> Fuel pipe comp. 1	<a href="#">Buy now</a>
2	<a href="#">9044511M0600</a> Hose (I3000)	<a href="#">Buy now</a>
3	<a href="#">6Y1243605200</a> Primer pump assembly	<a href="#">Buy now</a>
4	<a href="#">9044511M7800</a> Hose (I1000)	<a href="#">Buy now</a>
5	<a href="#">650243515100</a> Band 1	<a href="#">Buy now</a>
6	<a href="#">6G1243050300</a> Fuel pipe joint comp. 2	<a href="#">Buy now</a>
7	<a href="#">932100828700</a> O-ring (655)	<a href="#">Buy now</a>
8	<a href="#">6Y1243050400</a> Fuel pipe joint comp. 2	<a href="#">Buy now</a>

# Fuel Tank



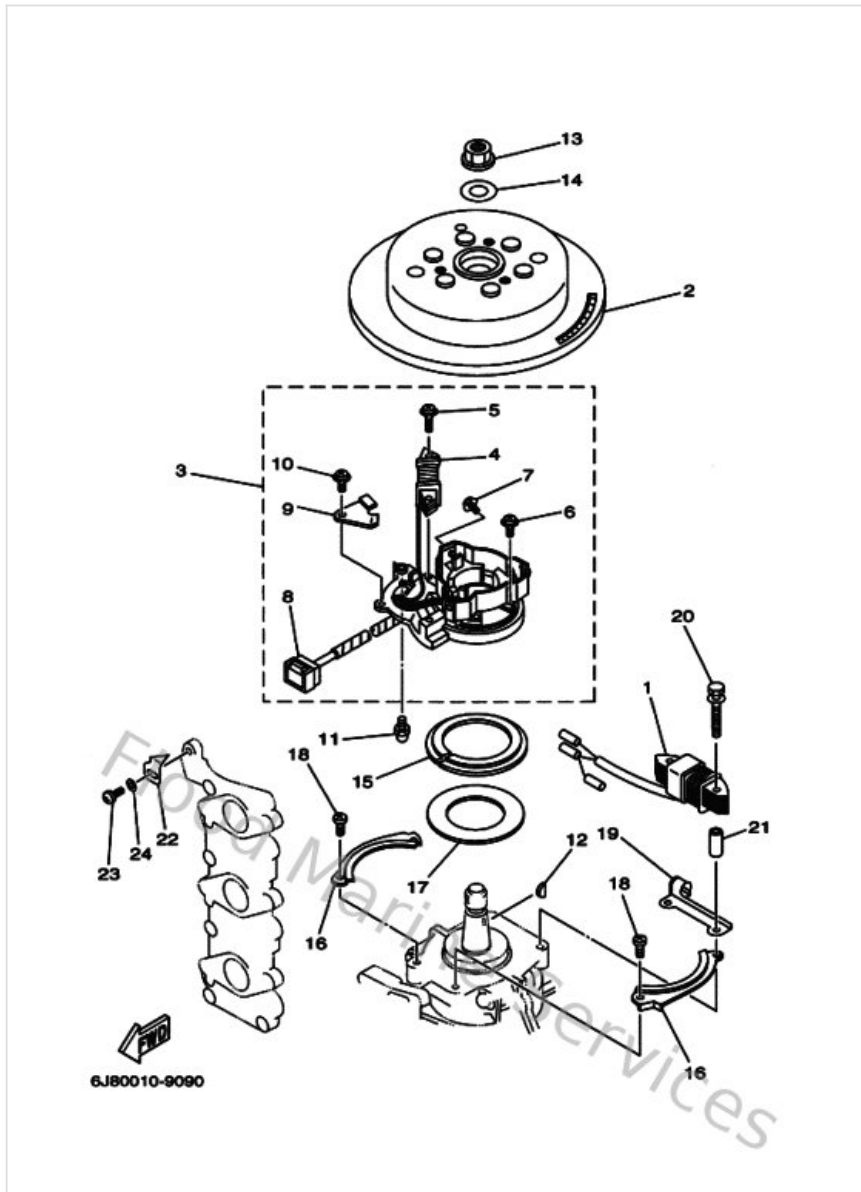
Ref	Part	
1	<a href="#">6YJ242015000</a> Fuel Tank assembly (24L)	<a href="#">Buy now</a>
2	<a href="#">6YJ246100100</a> Cap assembly	<a href="#">Buy now</a>
3	<a href="#">6Y1242601200</a> Fuel meter assembly	<a href="#">Buy now</a>
4	<a href="#">9015705M1900</a> Screw, pan head	<a href="#">Buy now</a>
5	<a href="#">6Y1243290000</a> Seal	<a href="#">Buy now</a>
6	<a href="#">6Y1242680000</a> Gasket, fuel meter	<a href="#">Buy now</a>
7	<a href="#">6YJ241670000</a> Strainer	<a href="#">Buy now</a>
8	<a href="#">6Y1243065300</a> Fuel pipe comp. 1	<a href="#">Buy now</a>
9	<a href="#">9044511M8100</a> Hose (I3000)	<a href="#">Buy now</a>
10	<a href="#">6Y1243605200</a> Primer pump assembly	<a href="#">Buy now</a>
11	<a href="#">9044511M0500</a> Hose (I1000)	<a href="#">Buy now</a>
12	<a href="#">650243515100</a> Band 1	<a href="#">Buy now</a>
13	<a href="#">6G1243050500</a> Fuel pipe joint comp. 2	<a href="#">Buy now</a>
14	<a href="#">932100828700</a> O-ring (655)	<a href="#">Buy now</a>
15	<a href="#">6Y1243050400</a> Fuel pipe joint comp. 2	<a href="#">Buy now</a>

# Generator



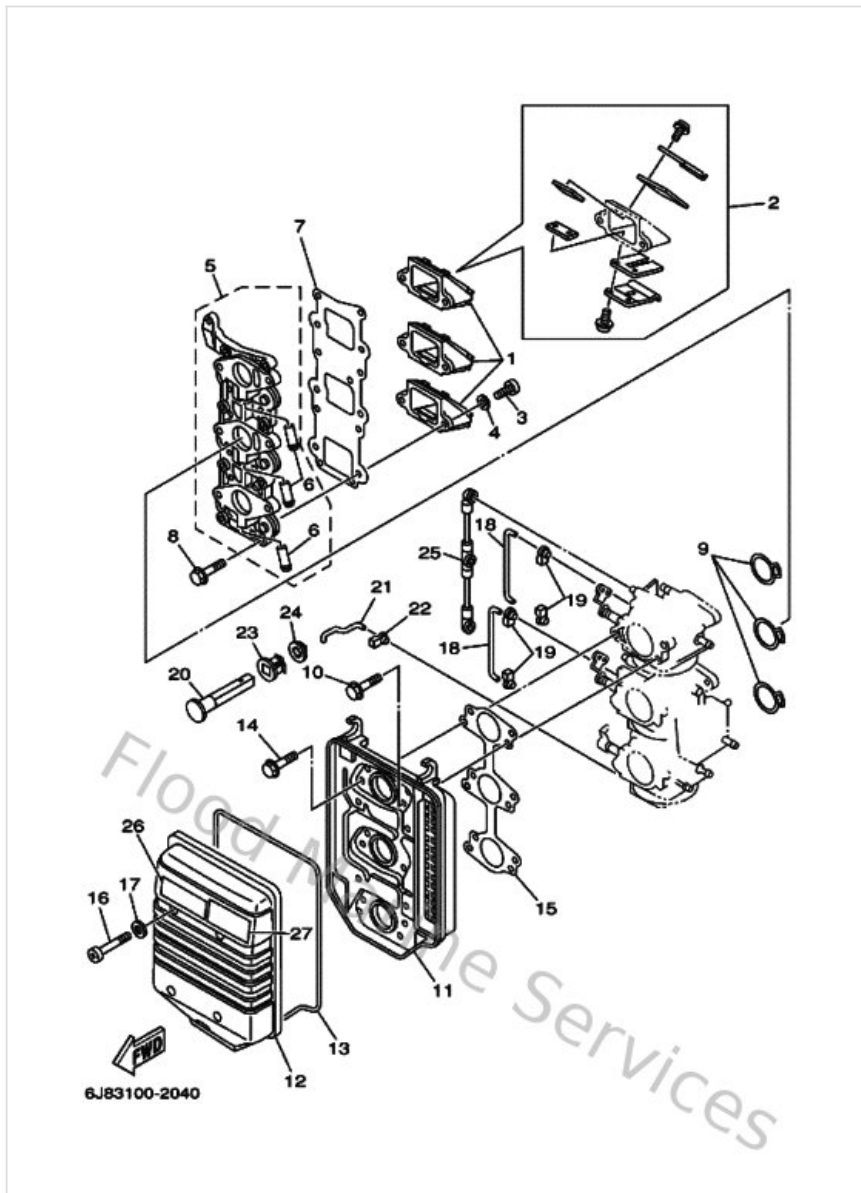
Ref	Part	
1	<a href="#">6H485533A100</a> Coil, lighting	<a href="#">Buy now</a>
2	<a href="#">6J885550A100</a> Rotor assembly	<a href="#">Buy now</a>
3	<a href="#">6J885510A100</a> Stator assembly	<a href="#">Buy now</a>
4	<a href="#">6J8855200100</a> Coil, charge	<a href="#">Buy now</a>
5	<a href="#">979020612000</a> Screw, with washer	<a href="#">Buy now</a>
6	<a href="#">979020411200</a> Screw, with washer	<a href="#">Buy now</a>
7	<a href="#">979020410600</a> Screw, with washer	<a href="#">Buy now</a>
8	<a href="#">9E4710920500</a> Housing,m-9-b 5pcs(61a)	<a href="#">Buy now</a>
9	<a href="#">6H4855480000</a> Clamp, cord	<a href="#">Buy now</a>
10	<a href="#">979020540800</a> Screw, with washer	<a href="#">Buy now</a>
11	<a href="#">663855180000</a> Joint, ball	<a href="#">Buy now</a>
12	<a href="#">902800501300</a> Key, woodruff	<a href="#">Buy now</a>
13	<a href="#">9017916M0500</a> Nut (689)	<a href="#">Buy now</a>
14	<a href="#">9020116M4400</a> Washer (689)	<a href="#">Buy now</a>
15	<a href="#">6H4416111000</a> Retainer, magneto base	<a href="#">Buy now</a>

# Generator



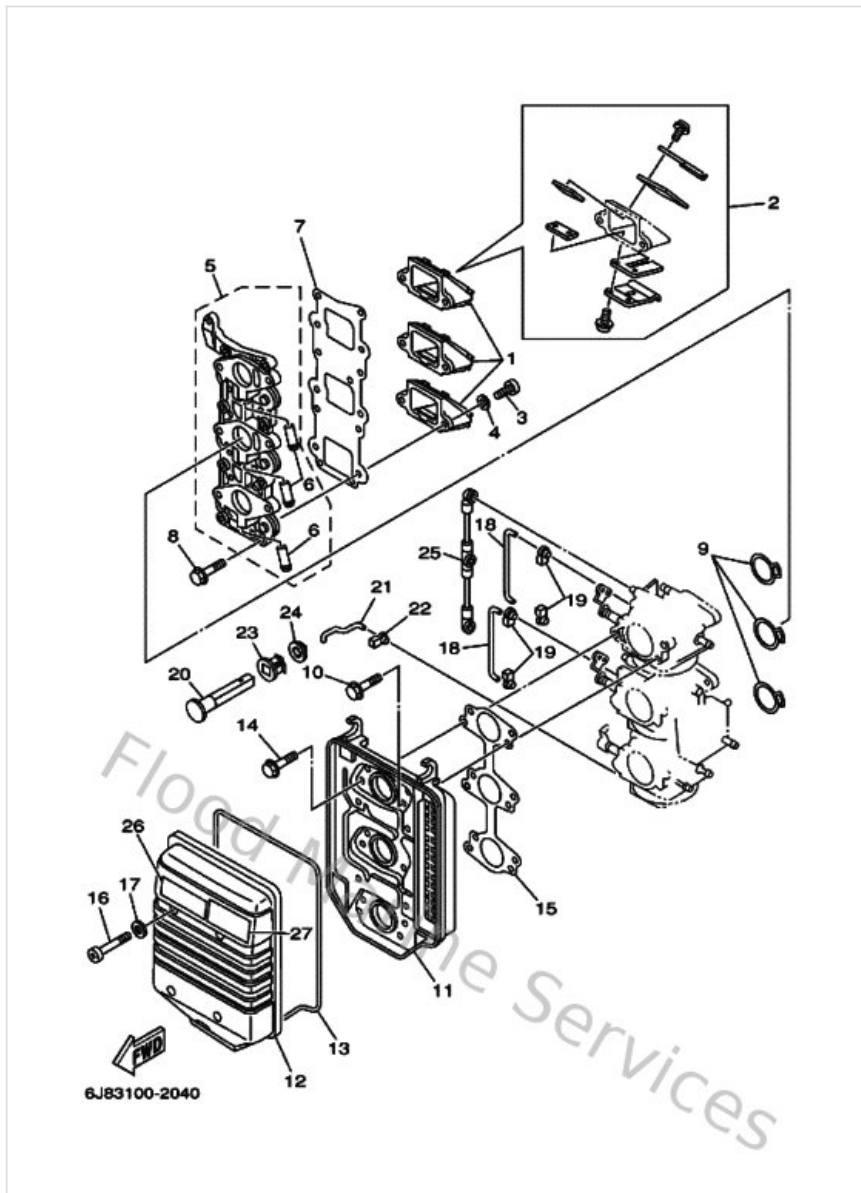
Ref	Part	
16	<a href="#">6J8416150000</a> Stopper, magneto base	<a href="#">Buy now</a>
17	<a href="#">6J8416180000</a> Washer, magneto	<a href="#">Buy now</a>
18	<a href="#">978800601200</a> Screw, pan head(62j)	<a href="#">Buy now</a>
19	<a href="#">6J8855480000</a> Holder	<a href="#">Buy now</a>
20	<a href="#">901190626000</a> BOLT	<a href="#">Buy now</a>
21	<a href="#">9038706M8100</a> Collar	<a href="#">Buy now</a>
22	<a href="#">6J8813320000</a> Plate, timing	<a href="#">Buy now</a>
23	<a href="#">978850501000</a> Screw, pan head(62x)	<a href="#">Buy now</a>
24	<a href="#">929950560000</a> Washer, plain (646)	<a href="#">Buy now</a>

# Intake



Ref	Part	
1	<a href="#">6J8136100000</a> Reed Valve assembly	<a href="#">Buy now</a>
2	<a href="#">6J8W00040000</a> Reed set	<a href="#">Buy now</a>
3	<a href="#">978800501600</a> Screw, pan head(6b0)	<a href="#">Buy now</a>
4	<a href="#">929900560000</a> Washer, plain (646)	<a href="#">Buy now</a>
5	<a href="#">6J8136411094</a> Manifold 1	<a href="#">Buy now</a>
6	<a href="#">676144850000</a> Pipe, joint	<a href="#">Buy now</a>
7	<a href="#">6J8136210000</a> Gasket, valve seat	<a href="#">Buy now</a>
8	<a href="#">9011906MA300</a> Bolt, with washer	<a href="#">Buy now</a>
9	<a href="#">6J8141980000</a> Gasket	<a href="#">Buy now</a>
10	<a href="#">9011906M3200</a> Bolt, with washer(6j8)	<a href="#">Buy now</a>
11	<a href="#">6J8144170000</a> Cover 1	<a href="#">Buy now</a>
12	<a href="#">6J8144180000</a> Cover 2	<a href="#">Buy now</a>
13	<a href="#">6J8144760000</a> Seal	<a href="#">Buy now</a>
14	<a href="#">9011905M3100</a> Bolt, with washer(6j8)	<a href="#">Buy now</a>
15	<a href="#">6J814483A100</a> Gasket	<a href="#">Buy now</a>

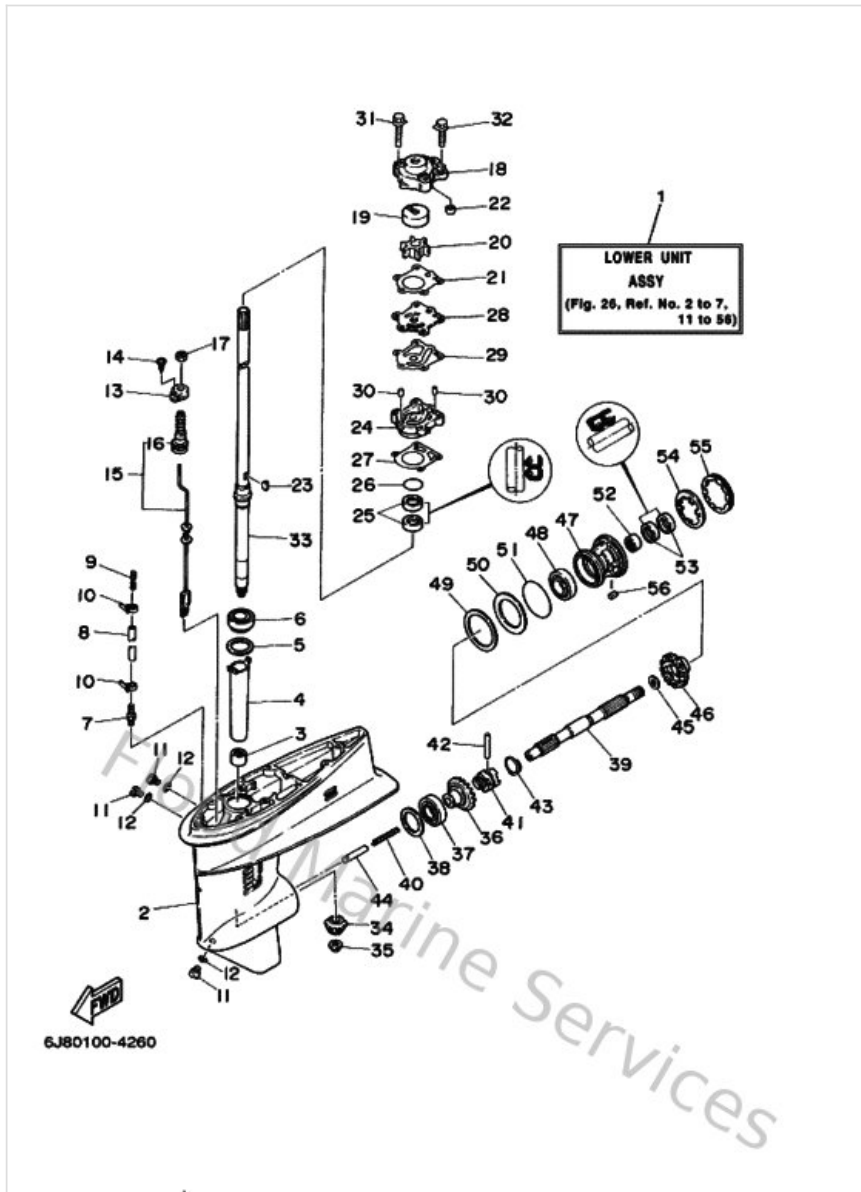
# Intake



Ref	Part	
16	<a href="#">978800504000</a> Screw,panhead (eg9)	<a href="#">Buy now</a>
18	<a href="#">6J8412590000</a> Rod, choke 3	<a href="#">Buy now</a>
19	<a href="#">661412620200</a> Joint, choke lever	<a href="#">Buy now</a>
20	<a href="#">6J8412710100</a> Knob, choke	<a href="#">Buy now</a>
21	<a href="#">6J8412570000</a> Rod, choke 2	<a href="#">Buy now</a>
22	<a href="#">6J8412620000</a> Joint, choke lever	<a href="#">Buy now</a>
23	<a href="#">689412730000</a> Grommet	<a href="#">Buy now</a>
24	<a href="#">6J8412740000</a> Grommet 2	<a href="#">Buy now</a>
25	<a href="#">6J8412170000</a> Rod, accel. lever	<a href="#">Buy now</a>
26	<a href="#">6A1836254100</a> Mark 5	<a href="#">Buy now</a>
27	<a href="#">6A1836255100</a> Mark 5	<a href="#">Buy now</a>
8	<a href="#">970130602500</a> Bolt(62y)	<a href="#">Buy now</a>
9	<a href="#">929030660000</a> Washer, plain (646)	<a href="#">Buy now</a>

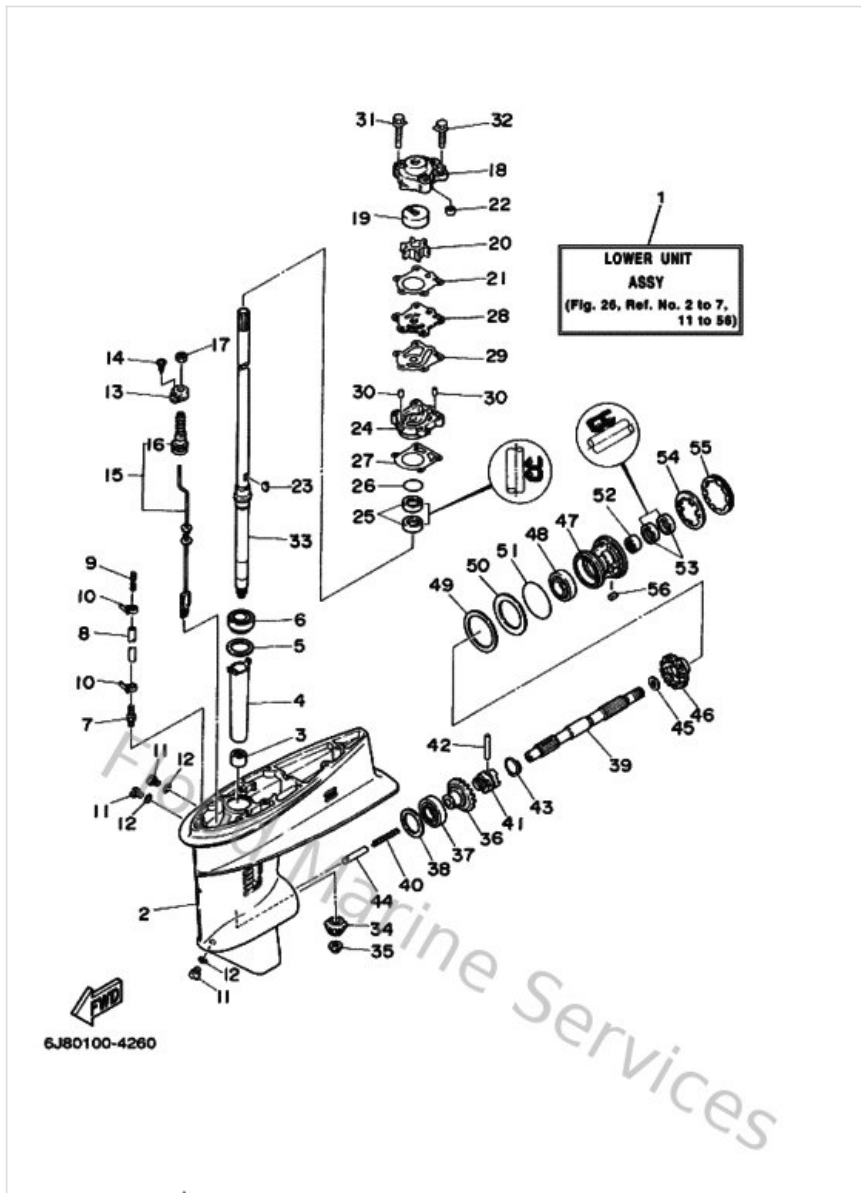


# Lower Casing & Drive 1



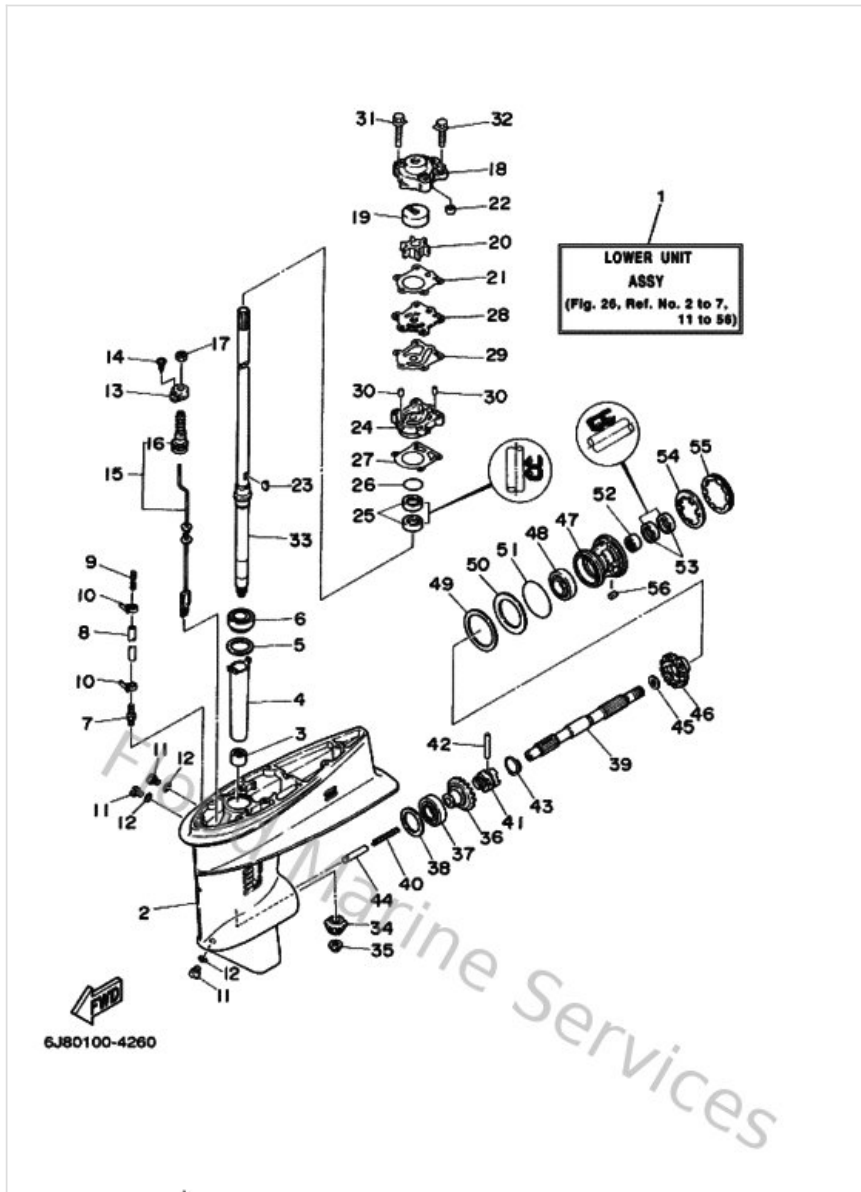
Ref	Part	
1	<a href="#">6J845300144D</a> Lower unit assembly	<a href="#">Buy now</a>
2	<a href="#">6J845301024D</a> Casing, lower	<a href="#">Buy now</a>
3	<a href="#">93315220V700</a> Bearing, cylindrical(6j8)	<a href="#">Buy now</a>
4	<a href="#">6J8455360000</a> Sleeve, drive shaft	<a href="#">Buy now</a>
5	<a href="#">663455870130</a> Shim (t:0,30mm)	<a href="#">Buy now</a>
6	<a href="#">933320000100</a> Brg, tapered roller (409)	<a href="#">Buy now</a>
7	<a href="#">6E5453780000</a> Nipple, hose	<a href="#">Buy now</a>
8	<a href="#">9044507M3100</a> Hose (I200)	<a href="#">Buy now</a>
9	<a href="#">6E5835580000</a> End, nipple	<a href="#">Buy now</a>
10	<a href="#">904651009800</a> Clamp	<a href="#">Buy now</a>
11	<a href="#">9034008M0400</a> Plug, straight screw	<a href="#">Buy now</a>
12	<a href="#">904300802000</a> Gasket	<a href="#">Buy now</a>
13	<a href="#">682441760000</a> Bracket	<a href="#">Buy now</a>
14	<a href="#">977805061000</a> Screw, tapping(6u1)	<a href="#">Buy now</a>
15	<a href="#">6J8441501000</a> Shift cam assembly	<a href="#">Buy now</a>

# Lower Casing & Drive 1



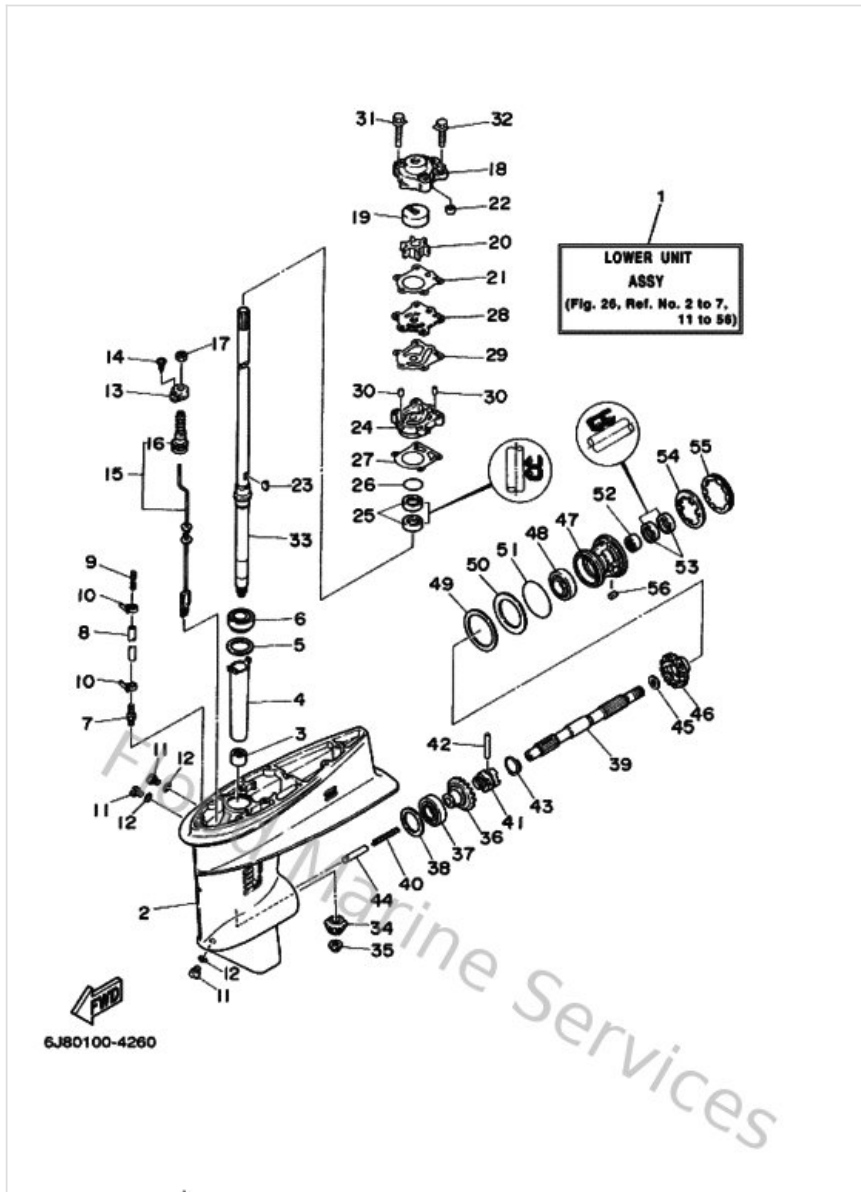
Ref	Part	
16	<a href="#">682441470000</a> Boot, shift rod	<a href="#">Buy now</a>
17	<a href="#">953800670000</a> Nut	<a href="#">Buy now</a>
18	<a href="#">6J8443110000</a> Housing, water pump	<a href="#">Buy now</a>
19	<a href="#">663443220000</a> Insert, cartridge	<a href="#">Buy now</a>
20	<a href="#">6H4443520200</a> Impeller	<a href="#">Buy now</a>
21	<a href="#">66344315A000</a> Gasket, water pump 1	<a href="#">Buy now</a>
22	<a href="#">663443660000</a> Damper, water seal 2	<a href="#">Buy now</a>
23	<a href="#">902800302400</a> Key, woodruff(662)	<a href="#">Buy now</a>
24	<a href="#">663443410094</a> Housing, water pump	<a href="#">Buy now</a>
25	<a href="#">931012307000</a> Oil seal (663)	<a href="#">Buy now</a>
26	<a href="#">932104104200</a> O-ring (132)	<a href="#">Buy now</a>
27	<a href="#">66344316A000</a> Gasket, water pump 2	<a href="#">Buy now</a>
28	<a href="#">663443230000</a> Outer plate, cartridge	<a href="#">Buy now</a>
29	<a href="#">66344324A000</a> Gasket, cartridge outer plate	<a href="#">Buy now</a>
30	<a href="#">936040806200</a> Pin, dowel (626)	<a href="#">Buy now</a>

# Lower Casing & Drive 1



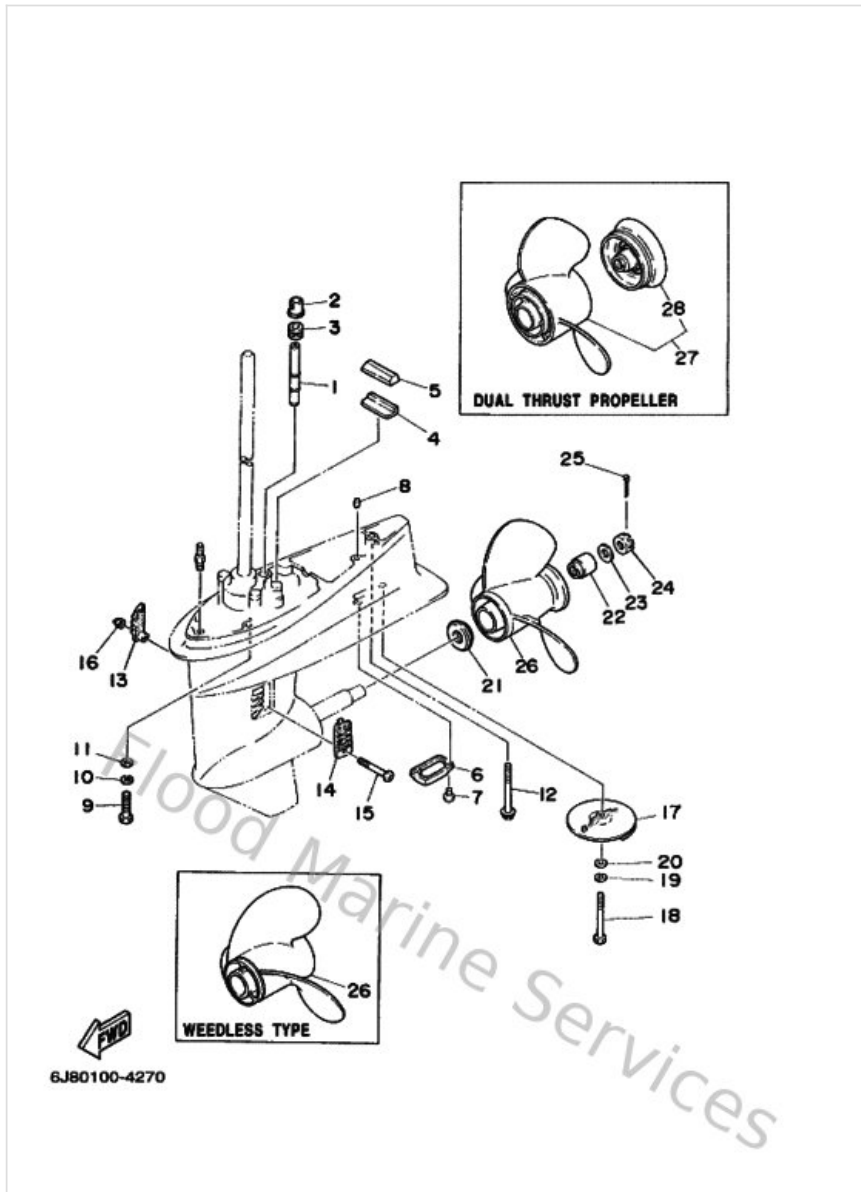
Ref	Part	
31	<a href="#">9011908M1300</a> Bolt, with washer(6h0)	<a href="#">Buy now</a>
32	<a href="#">9011908M3400</a> Bolt, with washer(6j8)	<a href="#">Buy now</a>
33	<a href="#">6J8455011000</a> Drive shaft comp.	<a href="#">Buy now</a>
34	<a href="#">6J8455510000</a> Pinion	<a href="#">Buy now</a>
35	<a href="#">9017910M1400</a> Nut(6j8)	<a href="#">Buy now</a>
36	<a href="#">6J8455600000</a> Gear	<a href="#">Buy now</a>
37	<a href="#">93332000V600</a> Bearing(6j8)	<a href="#">Buy now</a>
38	<a href="#">6J8455670130</a> Shim, thrust (0.3t)	<a href="#">Buy now</a>
39	<a href="#">6J8456110000</a> Shaft, propeller	<a href="#">Buy now</a>
40	<a href="#">905011006500</a> Spring compression648456360000	<a href="#">Buy now</a>
41	<a href="#">6J8456310000</a> Clutch, dog	<a href="#">Buy now</a>
42	<a href="#">902500501000</a> Pin straight 648456320000	<a href="#">Buy now</a>
43	<a href="#">648456330000</a> Ring, cross pin	<a href="#">Buy now</a>
44	<a href="#">6J8456350000</a> Plunger, shift	<a href="#">Buy now</a>
45	<a href="#">902012041700</a> Washer, plate(663)	<a href="#">Buy now</a>

# Lower Casing & Drive 1



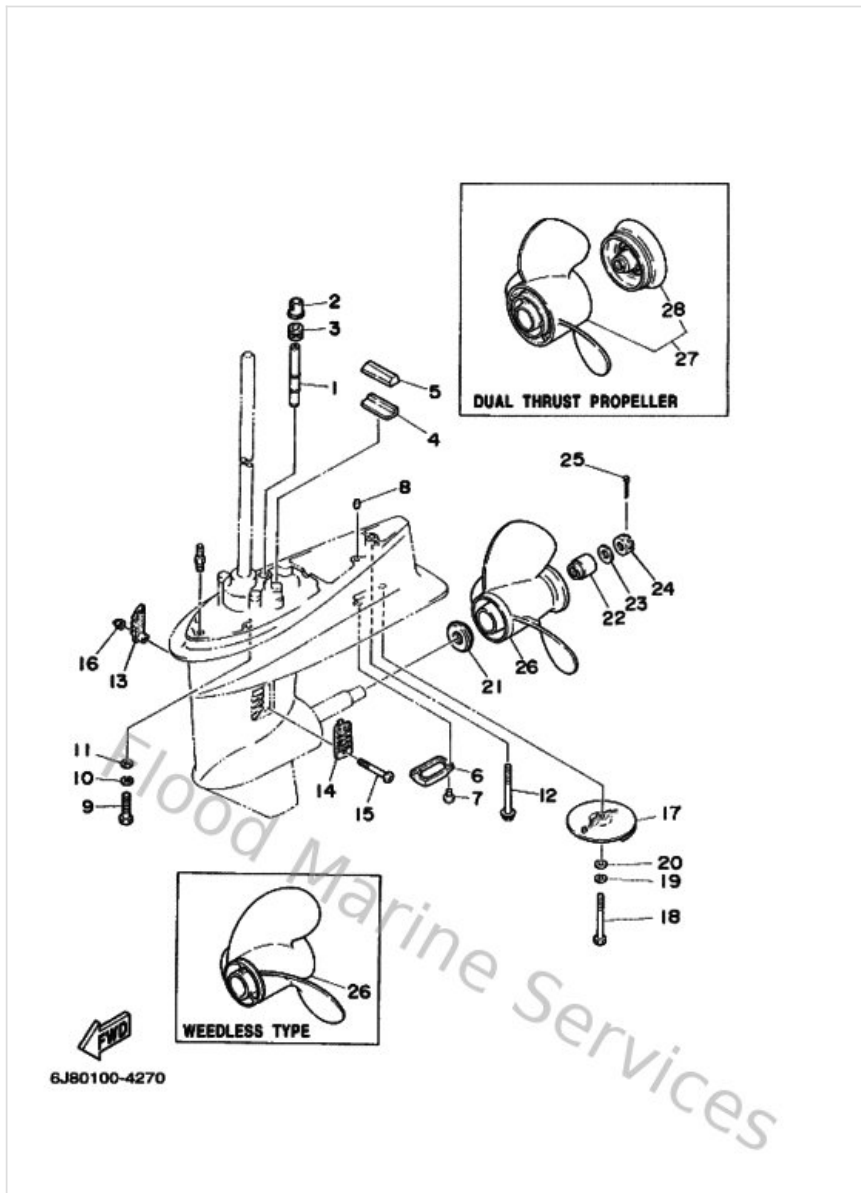
Ref	Part	
46	<a href="#">6J8455710000</a> Gear	<a href="#">Buy now</a>
47	<a href="#">689453310194</a> Housing, bearing	<a href="#">Buy now</a>
48	<a href="#">933060061200</a> Bearing(2hr)	<a href="#">Buy now</a>
49	<a href="#">664455770130</a> Shim (t:0.30mm)	<a href="#">Buy now</a>
50	<a href="#">664455760000</a> Washer, thrust 2	<a href="#">Buy now</a>
51	<a href="#">9321060MA300</a> O-ring(6j8)	<a href="#">Buy now</a>
52	<a href="#">933152200400</a> Brg,cyl-cal roller 21g nt	<a href="#">Buy now</a>
53	<a href="#">9310120M0700</a> Oil seal	<a href="#">Buy now</a>
54	<a href="#">9021445M0200</a> Washer, claw(6a9)	<a href="#">Buy now</a>
55	<a href="#">664453840000</a> Nut	<a href="#">Buy now</a>
56	<a href="#">902820401000</a> Key, strait(663)	<a href="#">Buy now</a>

## Lower Casing & Drive 2



Ref	Part	
1	<a href="#">6J8443611000</a> Tube, water	<a href="#">Buy now</a>
2	<a href="#">6J8443660000</a> Damper, water seal	<a href="#">Buy now</a>
3	<a href="#">663443670000</a> Damper, water seal 3	<a href="#">Buy now</a>
4	<a href="#">663453760094</a> Guide, seal damper	<a href="#">Buy now</a>
5	<a href="#">688453750000</a> Damper, seal 2	<a href="#">Buy now</a>
6	<a href="#">6J8452241000</a> Cover, water inlet 3	<a href="#">Buy now</a>
7	<a href="#">978850601200</a> Screw, pan head(62j)	<a href="#">Buy now</a>
8	<a href="#">936061201900</a> Pin, dowel (614)	<a href="#">Buy now</a>
9	<a href="#">970751004000</a> Bolt, hexagon deep recess	<a href="#">Buy now</a>
10	<a href="#">929951010000</a> Ybs67-10 washer, spring	<a href="#">Buy now</a>
11	<a href="#">929901060000</a> Washer, plate	<a href="#">Buy now</a>
12	<a href="#">9011908M9200</a> Bolt, with washer	<a href="#">Buy now</a>
13	<a href="#">689452140100</a> Cover, water inlet 1	<a href="#">Buy now</a>
14	<a href="#">6J8452150000</a> Cover, water inlet	<a href="#">Buy now</a>
15	<a href="#">9015205M0400</a> Screw, countersunk	<a href="#">Buy now</a>

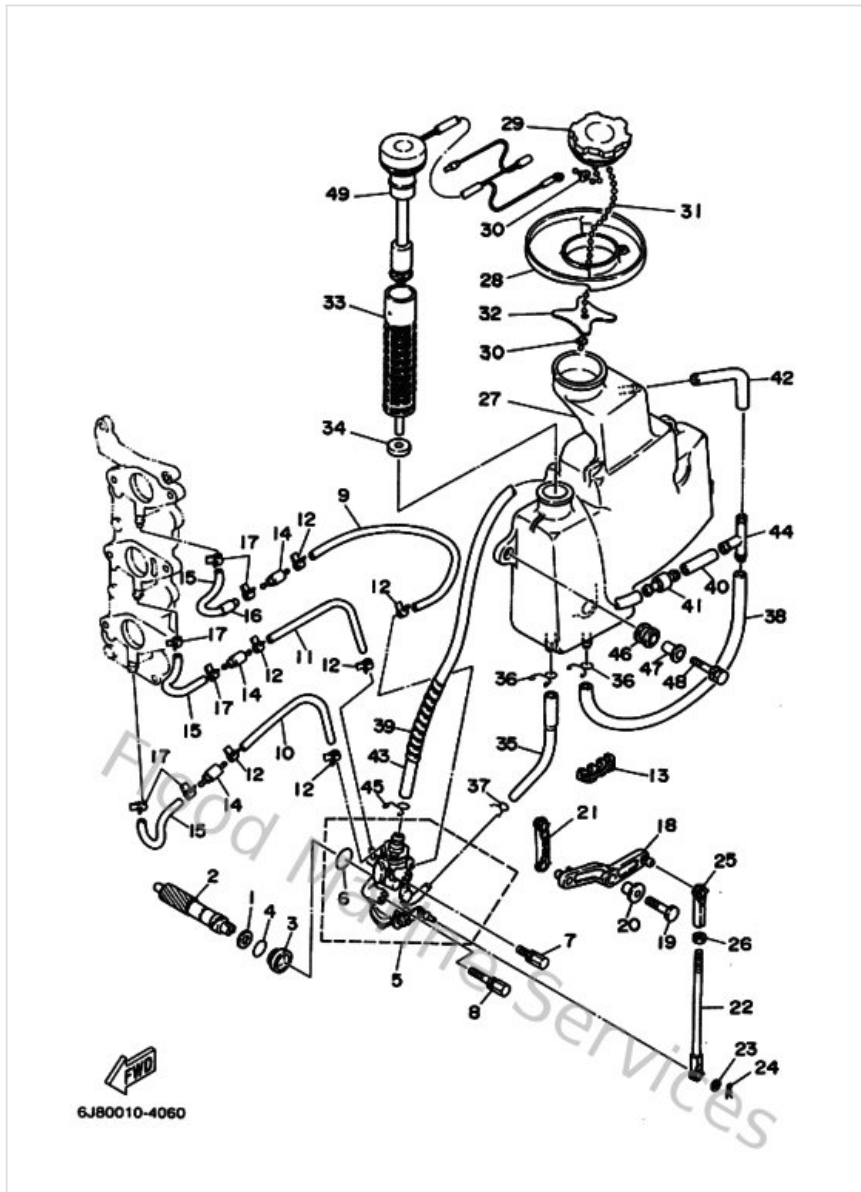
## Lower Casing & Drive 2



Ref	Part	
16	<a href="#">901850590400</a> Nut nylon (sus)(ex4)	<a href="#">Buy now</a>
17	<a href="#">664453710100</a> Tab-trim	<a href="#">Buy now</a>
18	<a href="#">970750802000</a> Bolt, hexagon	<a href="#">Buy now</a>
19	<a href="#">929950810000</a> Ybs67-8 washer, spring	<a href="#">Buy now</a>
20	<a href="#">929900860000</a> Washer, plain (663)	<a href="#">Buy now</a>
21	<a href="#">6L2459870100</a> Spacer	<a href="#">Buy now</a>
22	<a href="#">689459970000</a> Spacer	<a href="#">Buy now</a>
23	<a href="#">929901420000</a> Washer, plain	<a href="#">Buy now</a>
24	<a href="#">901711401300</a> Nut(664)	<a href="#">Buy now</a>
25	<a href="#">914903003000</a> Pin, cotter	<a href="#">Buy now</a>
26	<a href="#">664459490200</a> Propeller (3x9-7/8 x13 -f)	<a href="#">Buy now</a>
27	<a href="#">6J8W459100EL</a> Propeller (3x10-5/8"x8-1/4"-f)	<a href="#">Buy now</a>
28	<a href="#">6J8459861098</a> Ring, deflector	<a href="#">Buy now</a>

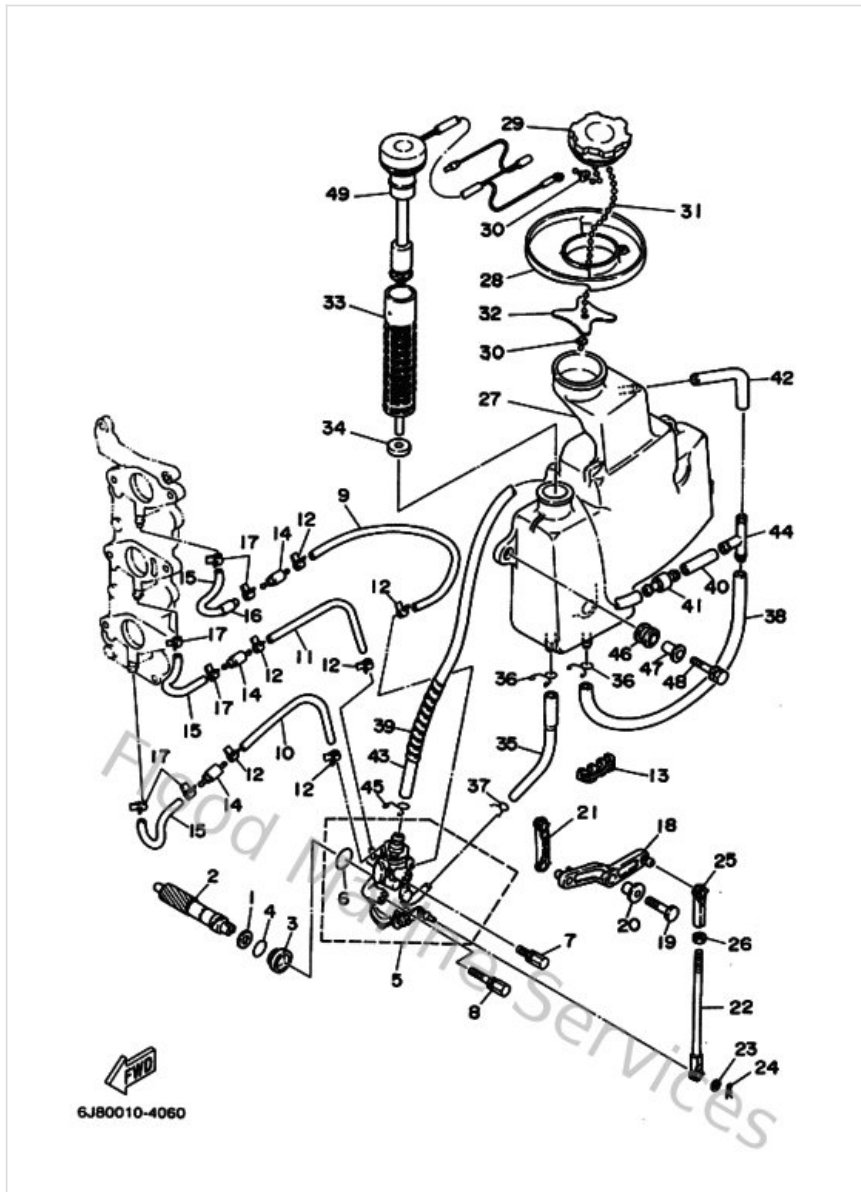


# Oil Pump



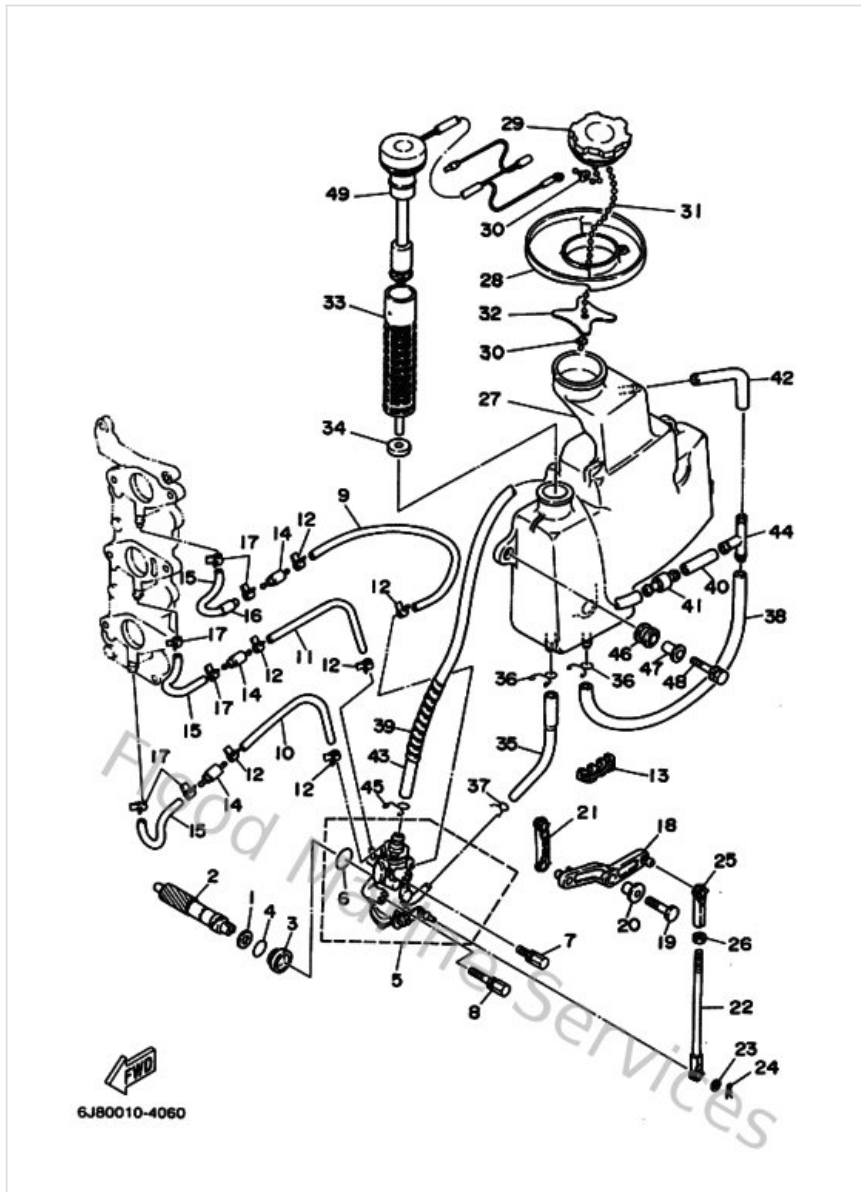
Ref	Part	
1	<a href="#">9020108M9300</a> Washer, plate (6g5)	<a href="#">Buy now</a>
2	<a href="#">6J8115370000</a> Gear, driven	<a href="#">Buy now</a>
3	<a href="#">6J8131170000</a> Collar, distance	<a href="#">Buy now</a>
4	<a href="#">9321013M0400</a> 93210-13m04	<a href="#">Buy now</a>
5	<a href="#">6J8132000100</a> Oil injection pump assembly	<a href="#">Buy now</a>
6	<a href="#">9321019M8200</a> O-ring(6j8)	<a href="#">Buy now</a>
7	<a href="#">9010905M3200</a> Bolt	<a href="#">Buy now</a>
8	<a href="#">9010905M3300</a> Bolt	<a href="#">Buy now</a>
9	<a href="#">9044507M0800</a> Hose (I390)	<a href="#">Buy now</a>
10	<a href="#">9044507M3200</a> Hose (I200)	<a href="#">Buy now</a>
11	<a href="#">9044507MA300</a> Hose (I200)	<a href="#">Buy now</a>
12	<a href="#">9046807M0200</a> Clip (6e5)	<a href="#">Buy now</a>
13	<a href="#">9046407M0500</a> Clamp (6g5)	<a href="#">Buy now</a>
14	<a href="#">6E9131837000</a> Valve check	<a href="#">Buy now</a>
15	<a href="#">9044507M0400</a> Hose(62t)	<a href="#">Buy now</a>

# Oil Pump



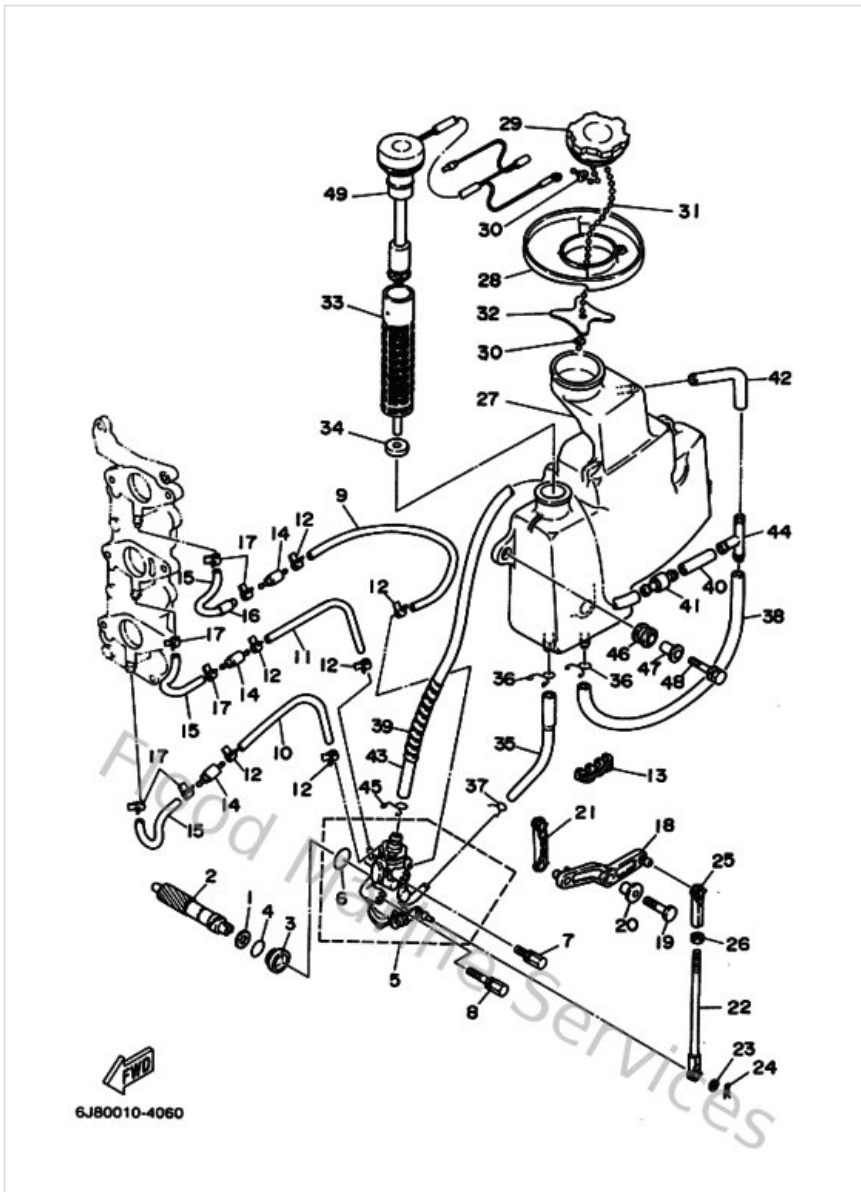
Ref	Part	
16	<a href="#">9044511M0800</a> Hose (I70)	<a href="#">Buy now</a>
18	<a href="#">6J8131550000</a> Lever, control	<a href="#">Buy now</a>
19	<a href="#">970950602500</a> Bolt	<a href="#">Buy now</a>
20	<a href="#">9038706M6000</a> Collar (6h3)	<a href="#">Buy now</a>
21	<a href="#">6J8412380000</a> Joint, link	<a href="#">Buy now</a>
22	<a href="#">6J8412370000</a> Joint, link	<a href="#">Buy now</a>
23	<a href="#">902020508800</a> Washer, plate (666)	<a href="#">Buy now</a>
24	<a href="#">9046805M0300</a> Clip(6j8)	<a href="#">Buy now</a>
25	<a href="#">682412370000</a> Joint, link 2	<a href="#">Buy now</a>
26	<a href="#">953800570000</a> Nut (656)	<a href="#">Buy now</a>
27	<a href="#">6J8217070100</a> Oil tank comp.	<a href="#">Buy now</a>
28	<a href="#">6J82173M0000</a> Seal 3	<a href="#">Buy now</a>
29	<a href="#">6H4217700000</a> Oil tank cap assembly	<a href="#">Buy now</a>
30	<a href="#">6H1217570000</a> Washer, special 1	<a href="#">Buy now</a>
32	<a href="#">6J8217580000</a> Washer, special 2	<a href="#">Buy now</a>

# Oil Pump



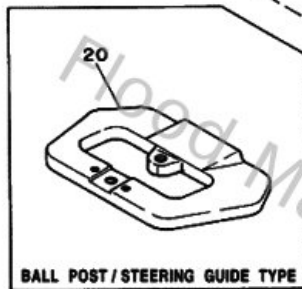
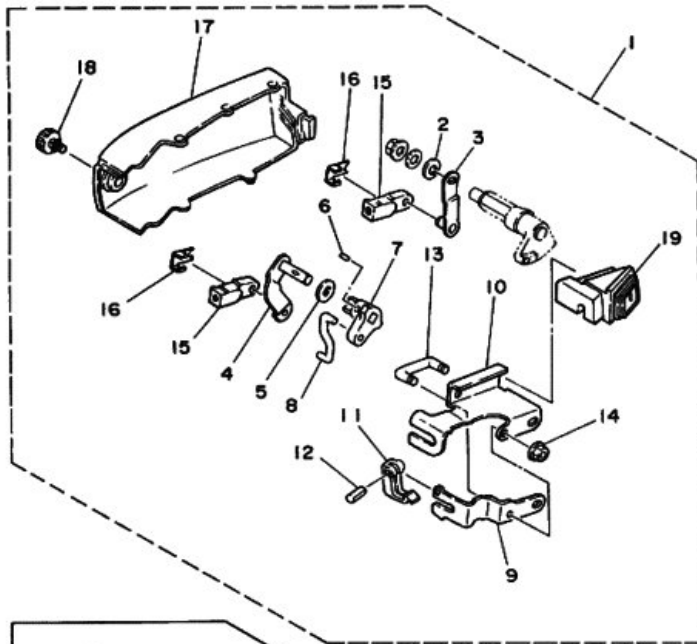
Ref	Part	
33	<a href="#">6J8134110000</a> Strainer, oil	<a href="#">Buy now</a>
34	<a href="#">6J8134140000</a> Gasket, strainer cover	<a href="#">Buy now</a>
35	<a href="#">6J8134160000</a> Pipe, oil 1	<a href="#">Buy now</a>
36	<a href="#">9046711M0800</a> Clip(72x)	<a href="#">Buy now</a>
37	<a href="#">904670800400</a> Clip, pipe 6162435600	<a href="#">Buy now</a>
38	<a href="#">9044511M0300</a> Hose (l360)	<a href="#">Buy now</a>
39	<a href="#">9044610M0100</a> Tube (6e5)	<a href="#">Buy now</a>
40	<a href="#">90445112E000</a> Hose (l70)	<a href="#">Buy now</a>
41	<a href="#">6J8217440000</a> Breather	<a href="#">Buy now</a>
42	<a href="#">9044511M0200</a> Hose (l100)	<a href="#">Buy now</a>
43	<a href="#">9044511M0400</a> Hose (l600)	<a href="#">Buy now</a>
44	<a href="#">6E5243780000</a> Pipe, joint 3	<a href="#">Buy now</a>
45	<a href="#">9046710M0400</a> Clip, pipe 1 (6e9)	<a href="#">Buy now</a>
46	<a href="#">6A0823170000</a> Damper, ignition coil	<a href="#">Buy now</a>
47	<a href="#">624425420000</a> Collar	<a href="#">Buy now</a>

# Oil Pump

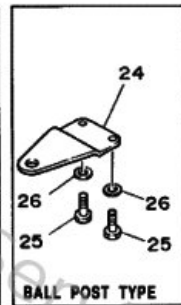


Ref	Part	
48	<a href="#">9011906M6500</a> Bolt, with washer	<a href="#">Buy now</a>
49	<a href="#">6J8857200100</a> Oil level gauge assembly	<a href="#">Buy now</a>

# Remo Con Attachment

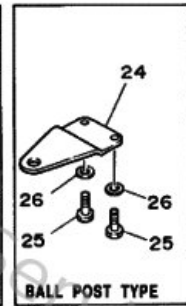
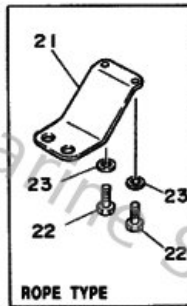
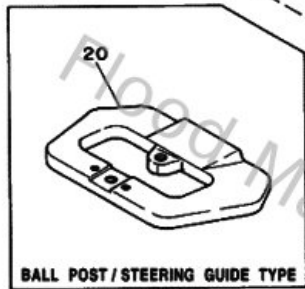
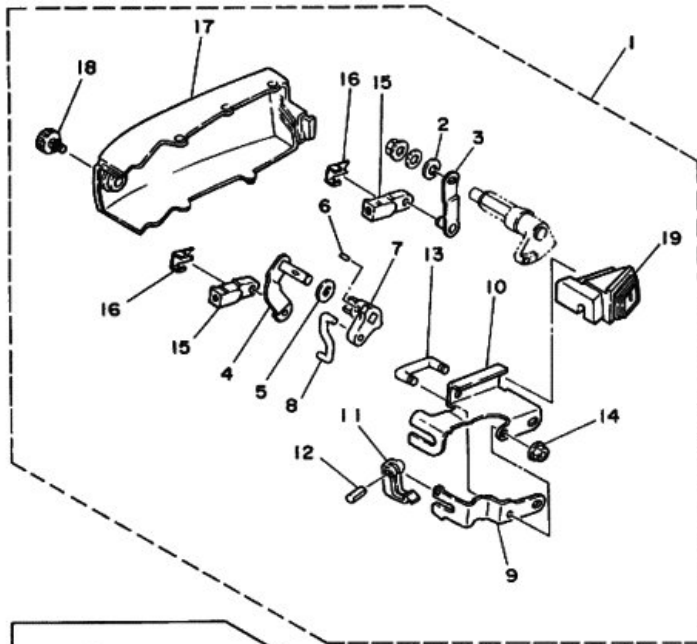


**FWD**  
6J80100-4190



Ref	Part	
1	<a href="#">6J8485011100</a> Attachment kit	<a href="#">Buy now</a>
2	<a href="#">929900810000</a> Ybs67-8 washer, spring	<a href="#">Buy now</a>
3	<a href="#">6J8485340000</a> Throttle lever, control	<a href="#">Buy now</a>
4	<a href="#">6J8485440100</a> Lever, shiftcontrol	<a href="#">Buy now</a>
5	<a href="#">6J8441770000</a> Washer	<a href="#">Buy now</a>
6	<a href="#">9025403M0300</a> Pin, spring	<a href="#">Buy now</a>
7	<a href="#">6J8441730200</a> Lever, shift control	<a href="#">Buy now</a>
8	<a href="#">6J8421690100</a> Joint	<a href="#">Buy now</a>
9	<a href="#">6J8485310000</a> Bracket, remote control	<a href="#">Buy now</a>
11	<a href="#">682485385000</a> Clamp, cable	<a href="#">Buy now</a>
12	<a href="#">916903001200</a> Pin, spring	<a href="#">Buy now</a>
15	<a href="#">6G8263630000</a> End, wire 1	<a href="#">Buy now</a>
16	<a href="#">6G8263640000</a> End, wire 2	<a href="#">Buy now</a>
20	<a href="#">6J848511014D</a> Hook, steering	<a href="#">Buy now</a>
21	<a href="#">6G8485110000</a> Hook, steering	<a href="#">Buy now</a>

# Remo Con Attachment

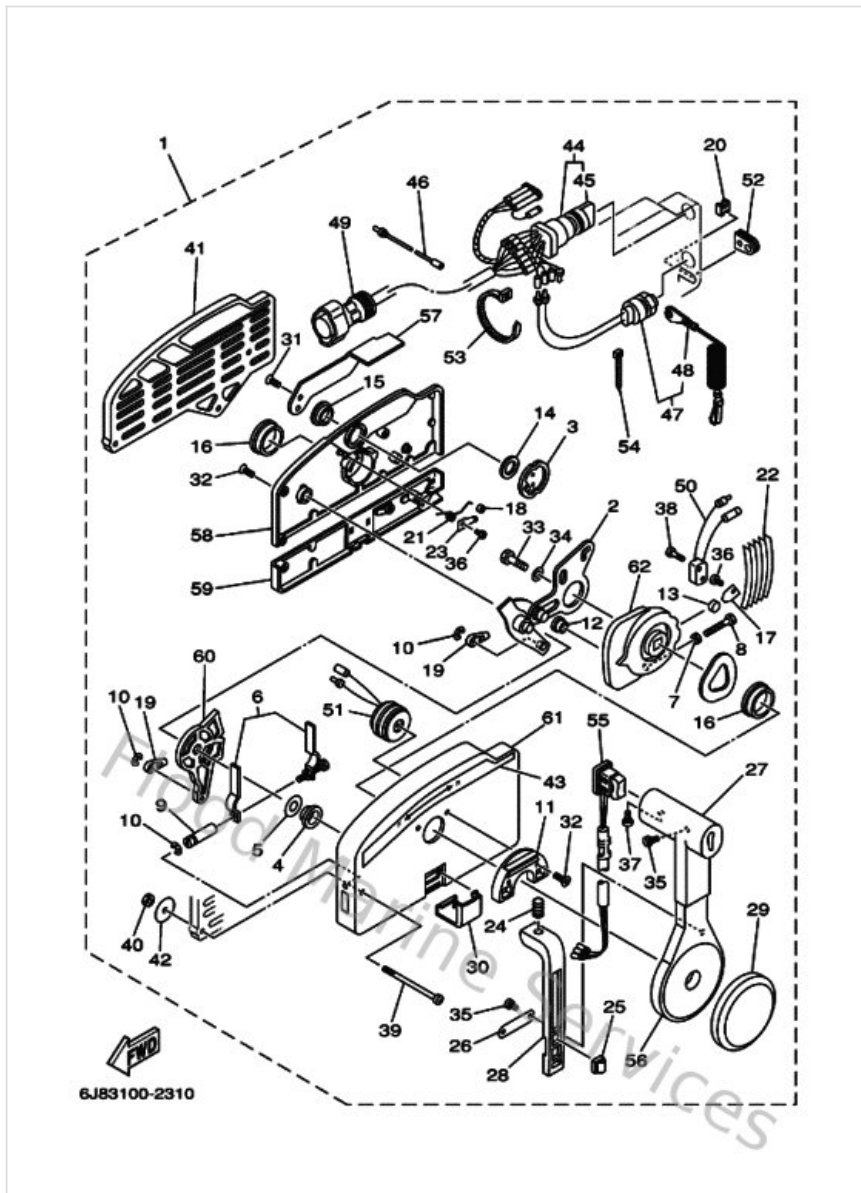


  
6J80100-4190

Ref	Part	
22	<a href="#">970950601600</a> Bolt, hexagon deep recess	<a href="#">Buy now</a>
23	<a href="#">929900660000</a> Washer, plain (646)	<a href="#">Buy now</a>
24	<a href="#">6G8485111000</a> Hook, steering	<a href="#">Buy now</a>

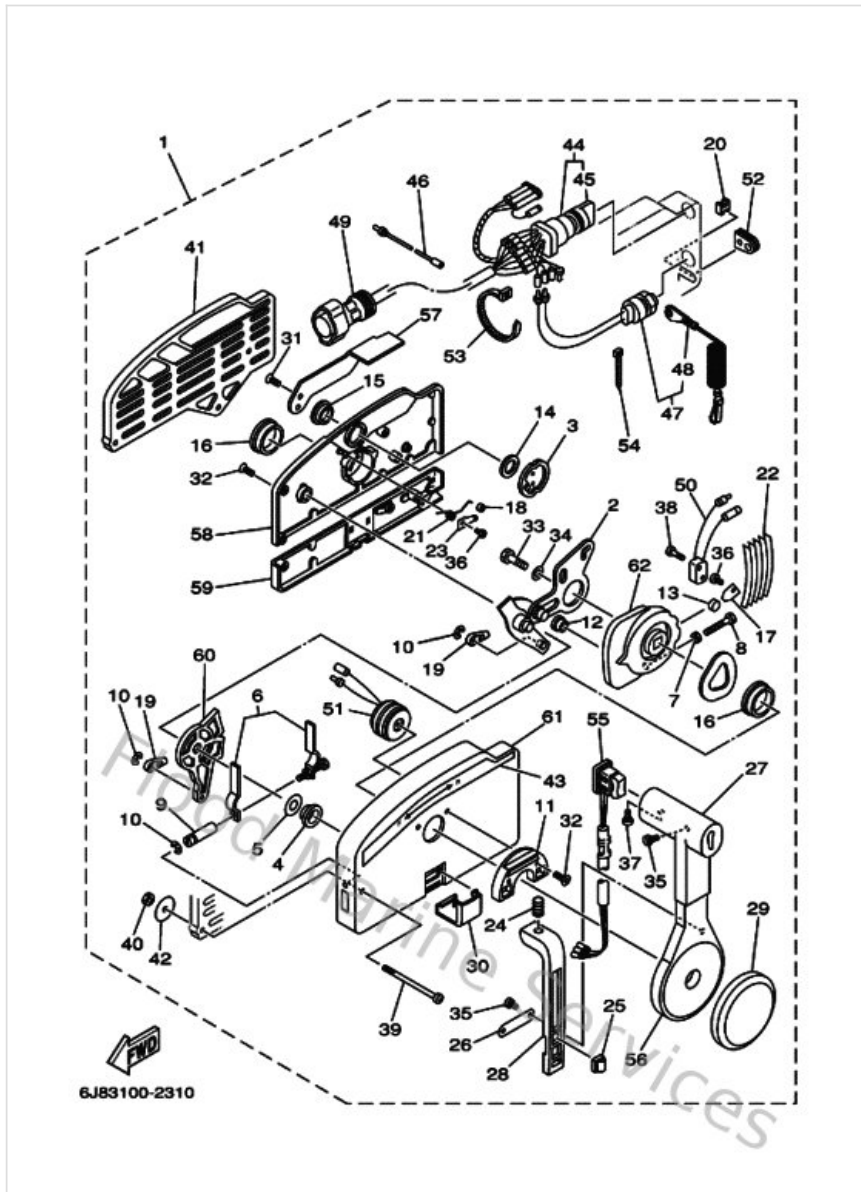


# Remote Control Assy



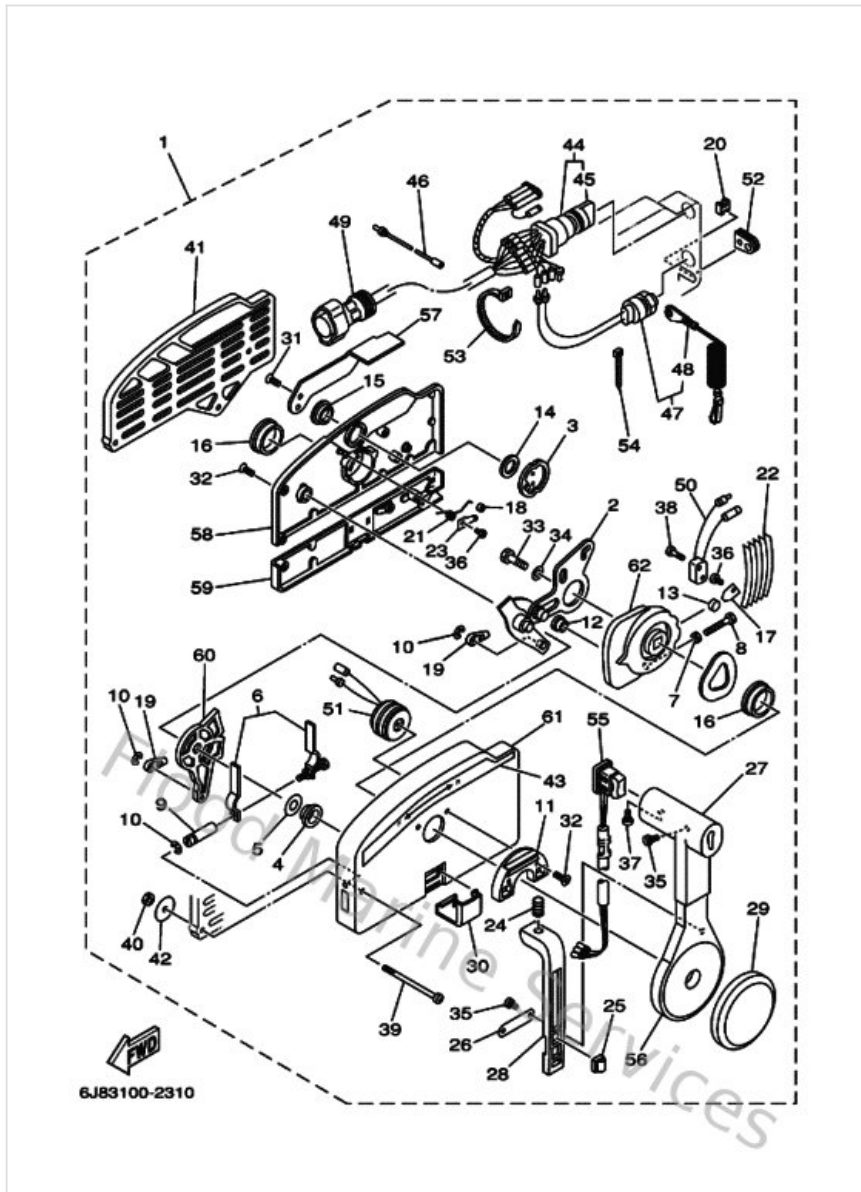
Ref	Part	
1	<a href="#">703482301500</a> Remote control assembly (7p)	<a href="#">Buy now</a>
2	<a href="#">703482611100</a> Arm, throttle	<a href="#">Buy now</a>
3	<a href="#">703481530000</a> Shaft, free accel.	<a href="#">Buy now</a>
4	<a href="#">703482350000</a> Bushing	<a href="#">Buy now</a>
5	<a href="#">703482680000</a> Spacer 3	<a href="#">Buy now</a>
6	<a href="#">703482640000</a> Throttle, friction	<a href="#">Buy now</a>
7	<a href="#">953800560000</a> Nut, hexagon (663)	<a href="#">Buy now</a>
9	<a href="#">703482650000</a> Shaft Friction	<a href="#">Buy now</a>
10	<a href="#">934300602400</a> Circlip (701)	<a href="#">Buy now</a>
11	<a href="#">703482450000</a> Plate, lock	<a href="#">Buy now</a>
12	<a href="#">703482520000</a> Roller, cam	<a href="#">Buy now</a>
13	<a href="#">701482480000</a> Roller, free accel	<a href="#">Buy now</a>
14	<a href="#">703481980000</a> Washer, wave 3	<a href="#">Buy now</a>
15	<a href="#">703482430000</a> Bushing 3	<a href="#">Buy now</a>
16	<a href="#">703482360000</a> Bushing	<a href="#">Buy now</a>

# Remote Control Assy



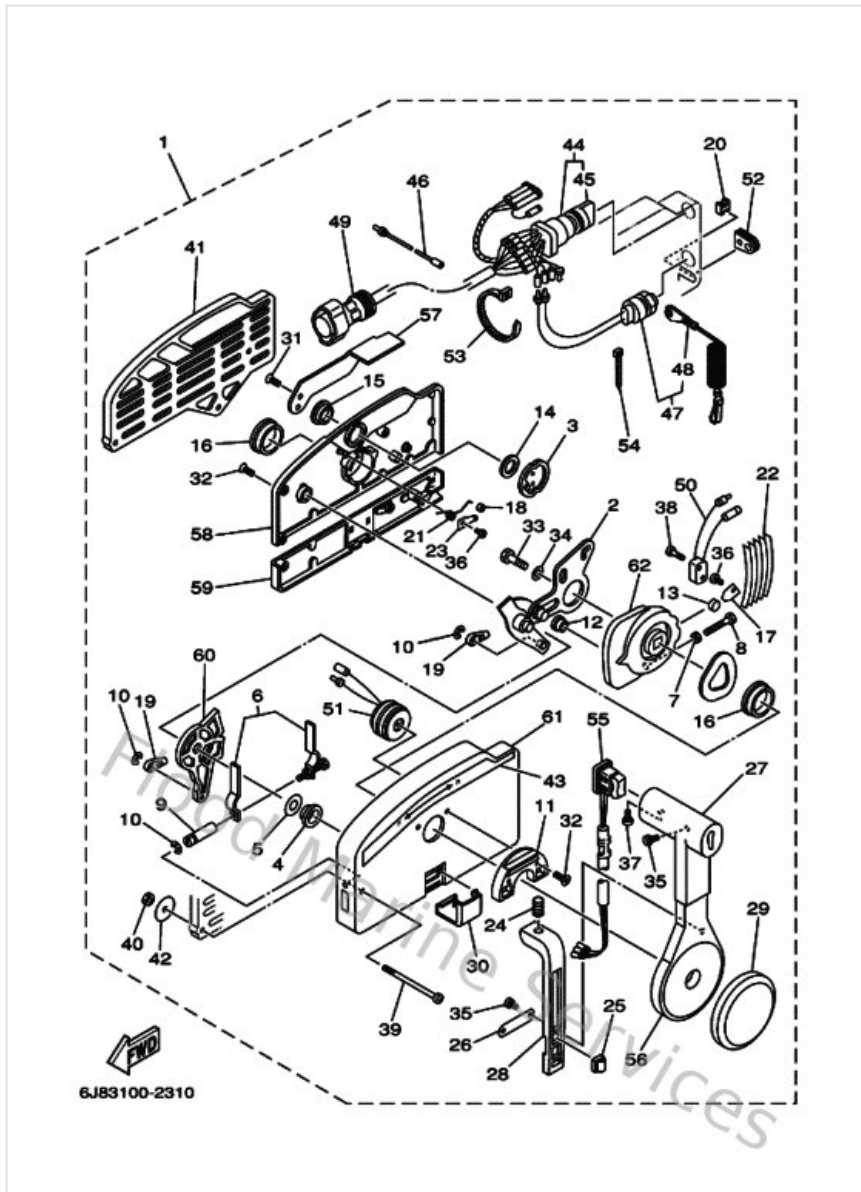
Ref	Part	
17	<a href="#">703481890000</a> Retainer	<a href="#">Buy now</a>
18	<a href="#">703482340000</a> Roller, detent	<a href="#">Buy now</a>
19	<a href="#">703483450100</a> Cable end, remote control 2	<a href="#">Buy now</a>
20	<a href="#">703483580000</a> Anchor, cable	<a href="#">Buy now</a>
21	<a href="#">703482440000</a> Spring, free accel.	<a href="#">Buy now</a>
22	<a href="#">703482380000</a> Spring, detent	<a href="#">Buy now</a>
23	<a href="#">703482460000</a> Spacer 1	<a href="#">Buy now</a>
24	<a href="#">703482270000</a> Spring, neutral lock	<a href="#">Buy now</a>
26	<a href="#">703482260000</a> Plate, stopper	<a href="#">Buy now</a>
27	<a href="#">703482220000</a> Grip, control lever	<a href="#">Buy now</a>
28	<a href="#">703482230000</a> Lock, neutral	<a href="#">Buy now</a>
29	<a href="#">703482250000</a> Cover	<a href="#">Buy now</a>
30	<a href="#">703482190000</a> Cover, lead	<a href="#">Buy now</a>
31	<a href="#">703482810000</a> Screw, flat head	<a href="#">Buy now</a>
32	<a href="#">703482820000</a> Screw	<a href="#">Buy now</a>

# Remote Control Assy



Ref	Part	
33	<a href="#">973800803000</a> Bolt, hexagon (fj1)	<a href="#">Buy now</a>
34	<a href="#">929900860000</a> Washer, plain (663)	<a href="#">Buy now</a>
35	<a href="#">985800401000</a> Screw, pan head (e56)	<a href="#">Buy now</a>
36	<a href="#">985800400600</a> Screw, pan head (7h3)	<a href="#">Buy now</a>
37	<a href="#">985800501000</a> Screw, pan head(62x)	<a href="#">Buy now</a>
38	<a href="#">985800301500</a> Screw, pan head (n151)	<a href="#">Buy now</a>
39	<a href="#">703482911000</a> Screw	<a href="#">Buy now</a>
40	<a href="#">953800660000</a> Nut(661)	<a href="#">Buy now</a>
41	<a href="#">703482931000</a> Spacer, remote control	<a href="#">Buy now</a>
42	<a href="#">701482870000</a> Washer 1	<a href="#">Buy now</a>
43	<a href="#">703482150000</a> Graphic	<a href="#">Buy now</a>
44	<a href="#">703825103300</a> Main switch assembly	<a href="#">Buy now</a>
45	<a href="#">703825770000</a> Cap, key	<a href="#">Buy now</a>
46	<a href="#">703825310000</a> Wire, lead	<a href="#">Buy now</a>
47	<a href="#">688825750100</a> Engine stop switch assembly	<a href="#">Buy now</a>

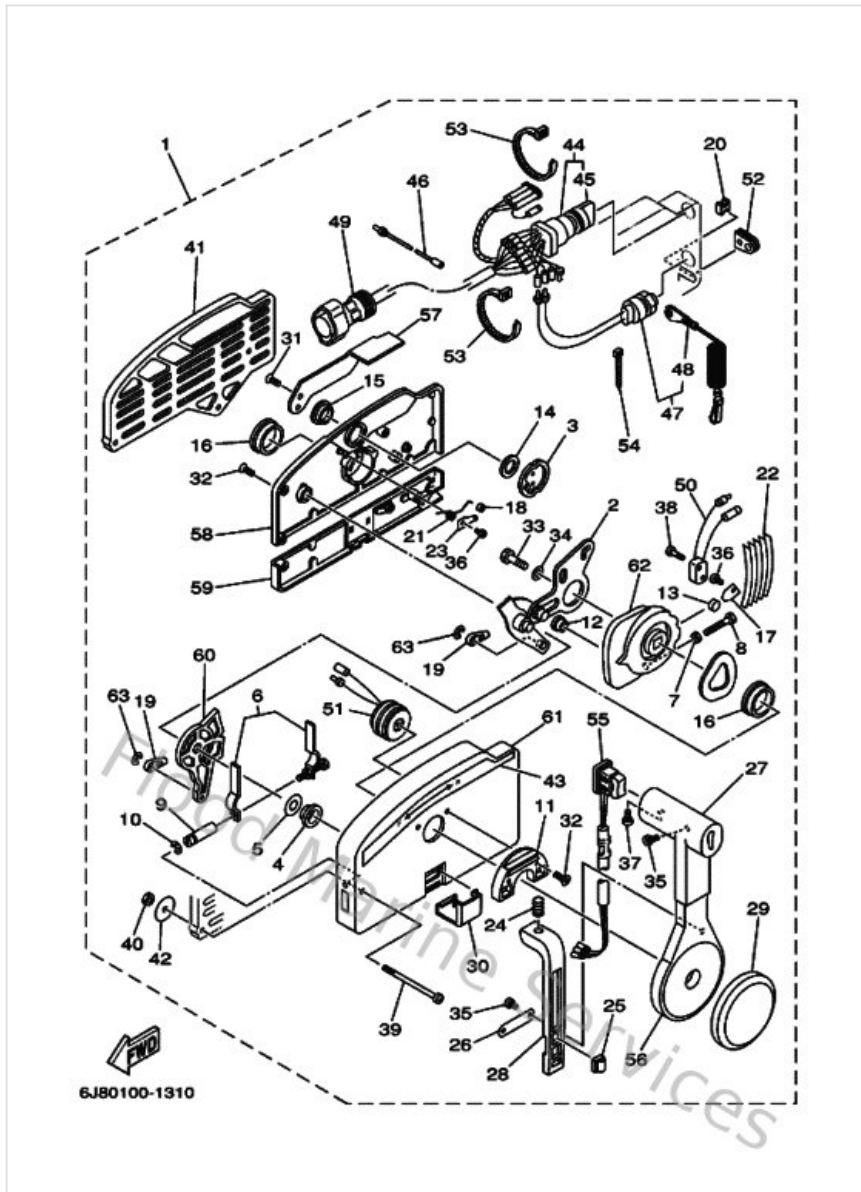
# Remote Control Assy



Ref	Part	
48	<a href="#">682825560000</a> Lanyard, stop switch	<a href="#">Buy now</a>
49	<a href="#">688825862100</a> Extension, wire harness	<a href="#">Buy now</a>
50	<a href="#">703825400000</a> Neutral switch assembly	<a href="#">Buy now</a>
51	<a href="#">703833830200</a> Buzzer	<a href="#">Buy now</a>
52	<a href="#">703482840000</a> Grommet	<a href="#">Buy now</a>
53	<a href="#">703825910000</a> Band	<a href="#">Buy now</a>
54	<a href="#">703825920000</a> Band	<a href="#">Buy now</a>
55	<a href="#">703482240000</a> Cover, control lever	<a href="#">Buy now</a>
56	<a href="#">703482210000</a> Grip	<a href="#">Buy now</a>
57	<a href="#">703481520000</a> Knob, free accel	<a href="#">Buy now</a>
58	<a href="#">703482120000</a> Rear housing	<a href="#">Buy now</a>
59	<a href="#">703482130000</a> Back, panel	<a href="#">Buy now</a>
60	<a href="#">703482710000</a> Arm, shift	<a href="#">Buy now</a>
61	<a href="#">703482110100</a> Housing,1	<a href="#">Buy now</a>
62	<a href="#">703482320000</a> Drive gear	<a href="#">Buy now</a>

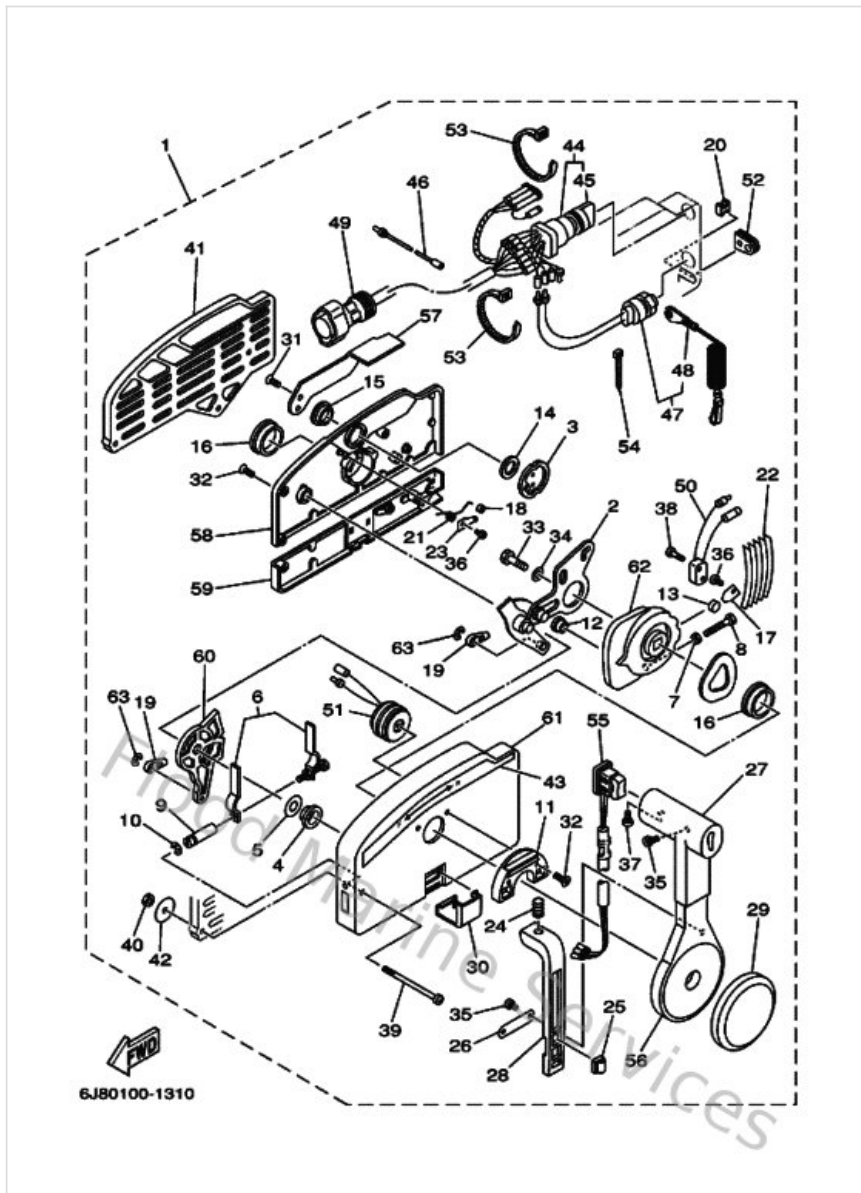


# Remote Control Assy 1



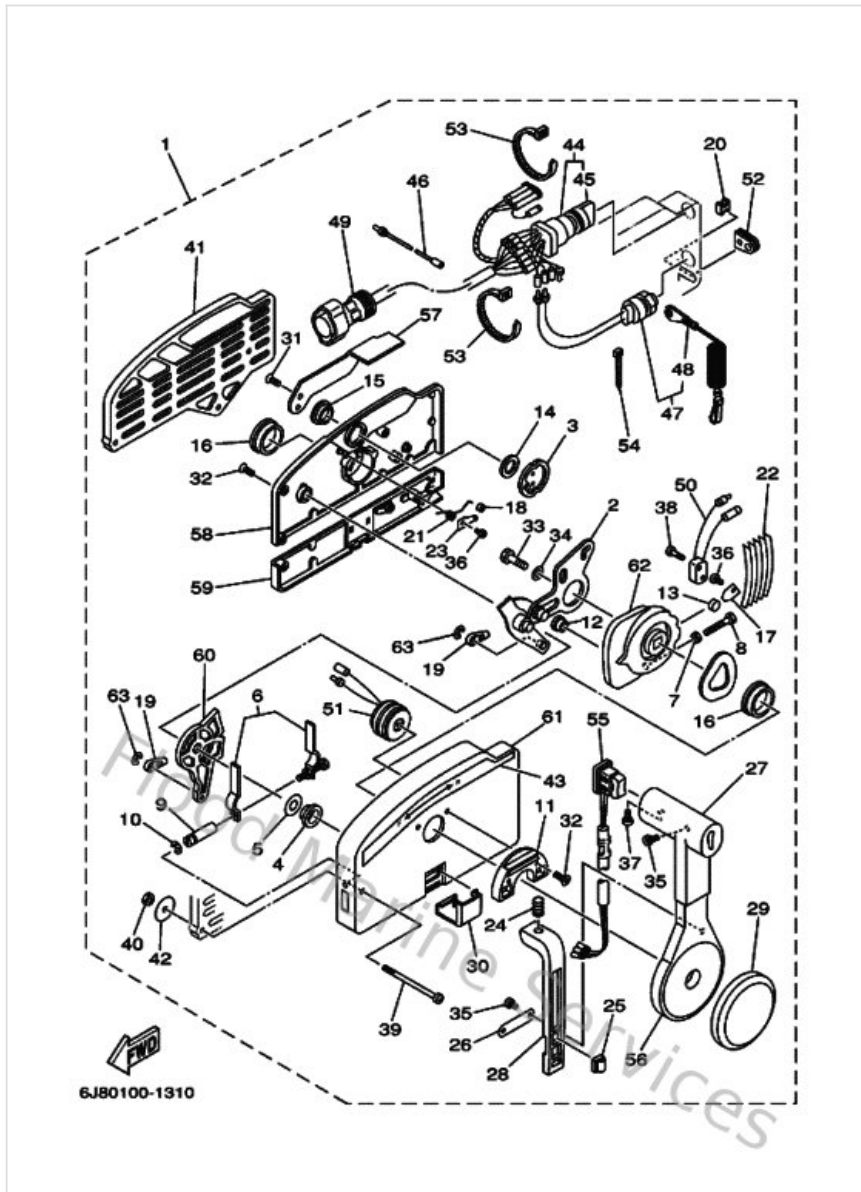
Ref	Part	
1	<a href="#">703482301400</a> Remote control assembly (7p)	<a href="#">Buy now</a>
2	<a href="#">703482611100</a> Arm, throttle	<a href="#">Buy now</a>
3	<a href="#">703481530000</a> Shaft, free accel.	<a href="#">Buy now</a>
4	<a href="#">703482350000</a> Bushing	<a href="#">Buy now</a>
5	<a href="#">703482680000</a> Spacer 3	<a href="#">Buy now</a>
6	<a href="#">703482640000</a> Throttle, friction	<a href="#">Buy now</a>
7	<a href="#">953800560000</a> Nut, hexagon (663)	<a href="#">Buy now</a>
9	<a href="#">703482650000</a> Shaft Friction	<a href="#">Buy now</a>
10	<a href="#">934300602400</a> Circlip (701)	<a href="#">Buy now</a>
11	<a href="#">703482450000</a> Plate, lock	<a href="#">Buy now</a>
12	<a href="#">703482520000</a> Roller, cam	<a href="#">Buy now</a>
13	<a href="#">701482480000</a> Roller, free accel	<a href="#">Buy now</a>
14	<a href="#">703481980000</a> Washer, wave 3	<a href="#">Buy now</a>
15	<a href="#">703482430000</a> Bushing 3	<a href="#">Buy now</a>
16	<a href="#">703482360000</a> Bushing	<a href="#">Buy now</a>

# Remote Control Assy 1



Ref	Part	
17	<a href="#">703481890000</a> Retainer	<a href="#">Buy now</a>
18	<a href="#">703482340000</a> Roller, detent	<a href="#">Buy now</a>
19	<a href="#">703483450100</a> Cable end, remote control 2	<a href="#">Buy now</a>
20	<a href="#">703483580000</a> Anchor, cable	<a href="#">Buy now</a>
21	<a href="#">703482440000</a> Spring, free accel.	<a href="#">Buy now</a>
22	<a href="#">703482380000</a> Spring, detent	<a href="#">Buy now</a>
23	<a href="#">703482460000</a> Spacer 1	<a href="#">Buy now</a>
24	<a href="#">703482270000</a> Spring, neutral lock	<a href="#">Buy now</a>
26	<a href="#">703482260000</a> Plate, stopper	<a href="#">Buy now</a>
27	<a href="#">703482220000</a> Grip, control lever	<a href="#">Buy now</a>
28	<a href="#">703482230000</a> Lock, neutral	<a href="#">Buy now</a>
29	<a href="#">703482250000</a> Cover	<a href="#">Buy now</a>
30	<a href="#">703482190000</a> Cover, lead	<a href="#">Buy now</a>
31	<a href="#">703482810000</a> Screw, flat head	<a href="#">Buy now</a>
32	<a href="#">703482820000</a> Screw	<a href="#">Buy now</a>

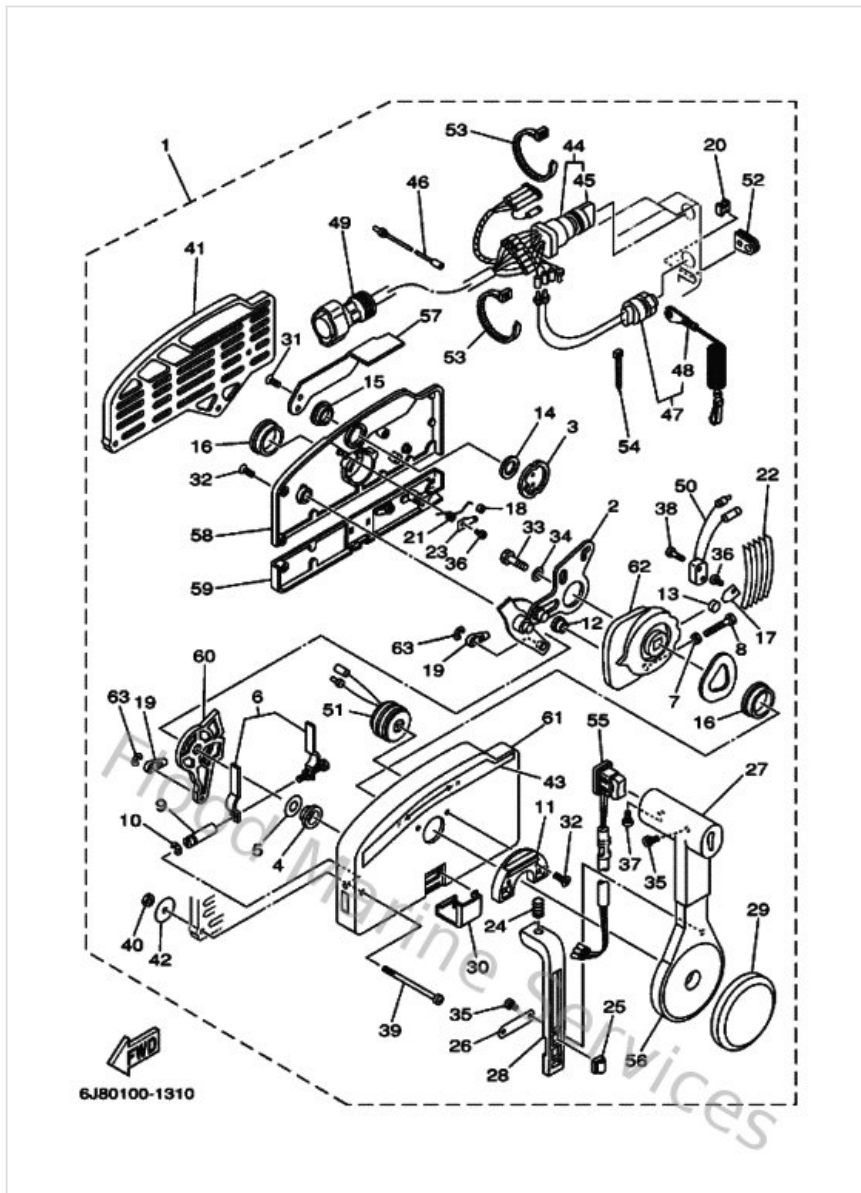
# Remote Control Assy 1



Ref	Part	
33	<a href="#">970950803000</a> Bolt, hexagon (fj1)	<a href="#">Buy now</a>
34	<a href="#">929900860000</a> Washer, plain (663)	<a href="#">Buy now</a>
35	<a href="#">985800401000</a> Screw, pan head (e56)	<a href="#">Buy now</a>
36	<a href="#">985800400600</a> Screw, pan head (7h3)	<a href="#">Buy now</a>
37	<a href="#">978850501000</a> Screw, pan head(62x)	<a href="#">Buy now</a>
38	<a href="#">985800301500</a> Screw, pan head (n151)	<a href="#">Buy now</a>
39	<a href="#">703482911000</a> Screw	<a href="#">Buy now</a>
40	<a href="#">953800660000</a> Nut(661)	<a href="#">Buy now</a>
41	<a href="#">703482931000</a> Spacer, remote control	<a href="#">Buy now</a>
42	<a href="#">701482870000</a> Washer 1	<a href="#">Buy now</a>
43	<a href="#">703482150000</a> Graphic	<a href="#">Buy now</a>
44	<a href="#">703825103400</a> Main switch assembly	<a href="#">Buy now</a>
45	<a href="#">676825770000</a> Cap, key	<a href="#">Buy now</a>
46	<a href="#">703825310000</a> Wire, lead	<a href="#">Buy now</a>
47	<a href="#">688825750100</a> Engine stop switch assembly	<a href="#">Buy now</a>

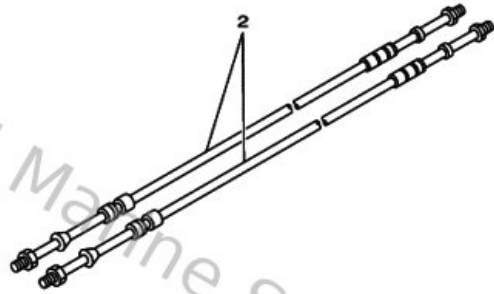
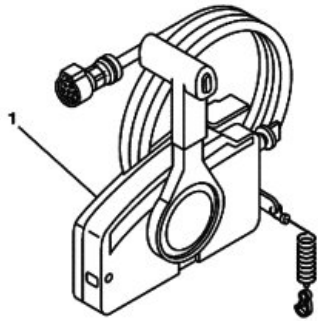


# Remote Control Assy 1



Ref	Part	
48	<a href="#">682825560000</a> Lanyard, stop switch	<a href="#">Buy now</a>
49	<a href="#">688825862100</a> Extension, wire harness	<a href="#">Buy now</a>
50	<a href="#">703825400000</a> Neutral switch assembly	<a href="#">Buy now</a>
51	<a href="#">703833830200</a> Buzzer	<a href="#">Buy now</a>
52	<a href="#">703482840000</a> Grommet	<a href="#">Buy now</a>
53	<a href="#">703825910000</a> Band	<a href="#">Buy now</a>
54	<a href="#">703825920000</a> Band	<a href="#">Buy now</a>
55	<a href="#">703482240000</a> Cover, control lever	<a href="#">Buy now</a>
56	<a href="#">703482210000</a> Grip	<a href="#">Buy now</a>
57	<a href="#">703481520000</a> Knob, free accel	<a href="#">Buy now</a>
58	<a href="#">703482120000</a> Rear housing	<a href="#">Buy now</a>
59	<a href="#">703482130000</a> Back, panel	<a href="#">Buy now</a>
60	<a href="#">703482710000</a> Arm, shift	<a href="#">Buy now</a>
61	<a href="#">703482110100</a> Housing,1	<a href="#">Buy now</a>
62	<a href="#">703482320000</a> Drive gear	<a href="#">Buy now</a>

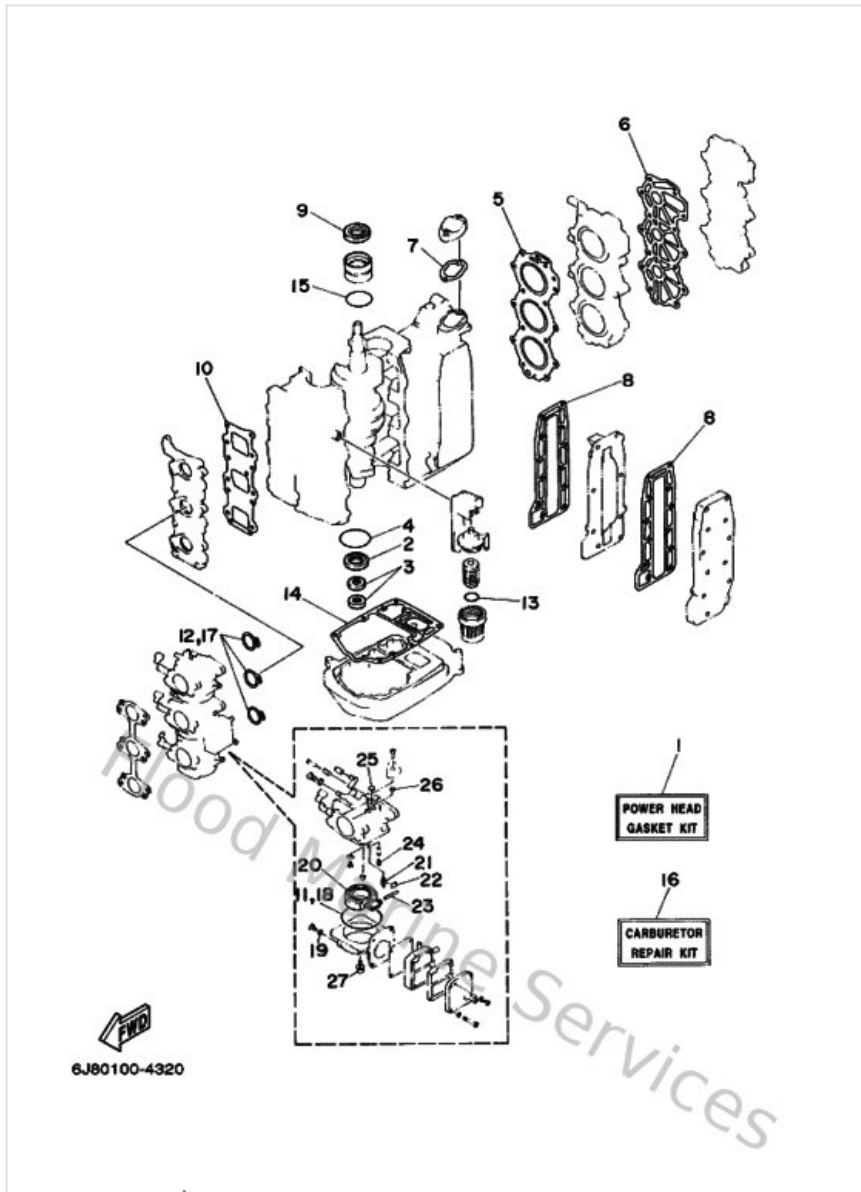
# Remote Control Box



  
67M0100-8280

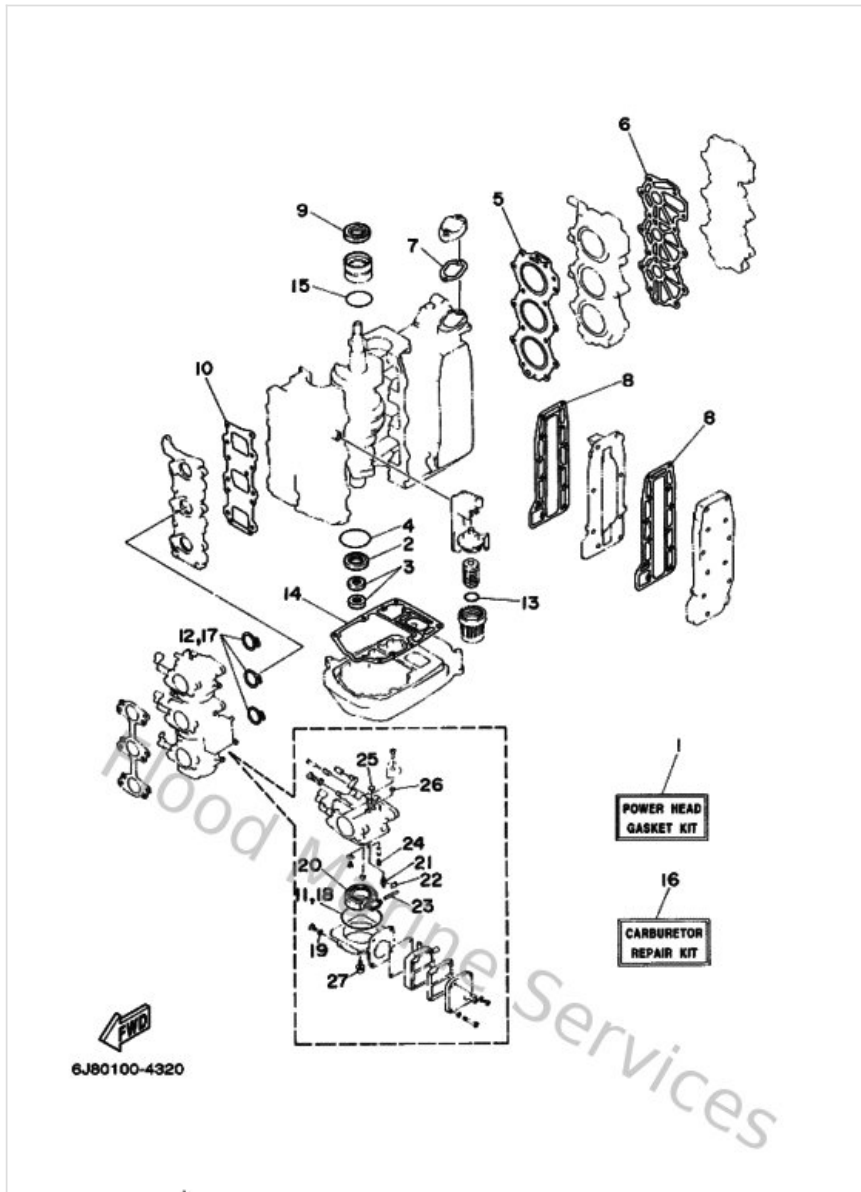
Ref	Part	
1	<a href="#">703482301500</a> Remote control assembly (7p)	<a href="#">Buy now</a>
2	<a href="#">701483108000</a> Cable, Remote Control L=10F	<a href="#">Buy now</a>

# Repair Kit 1



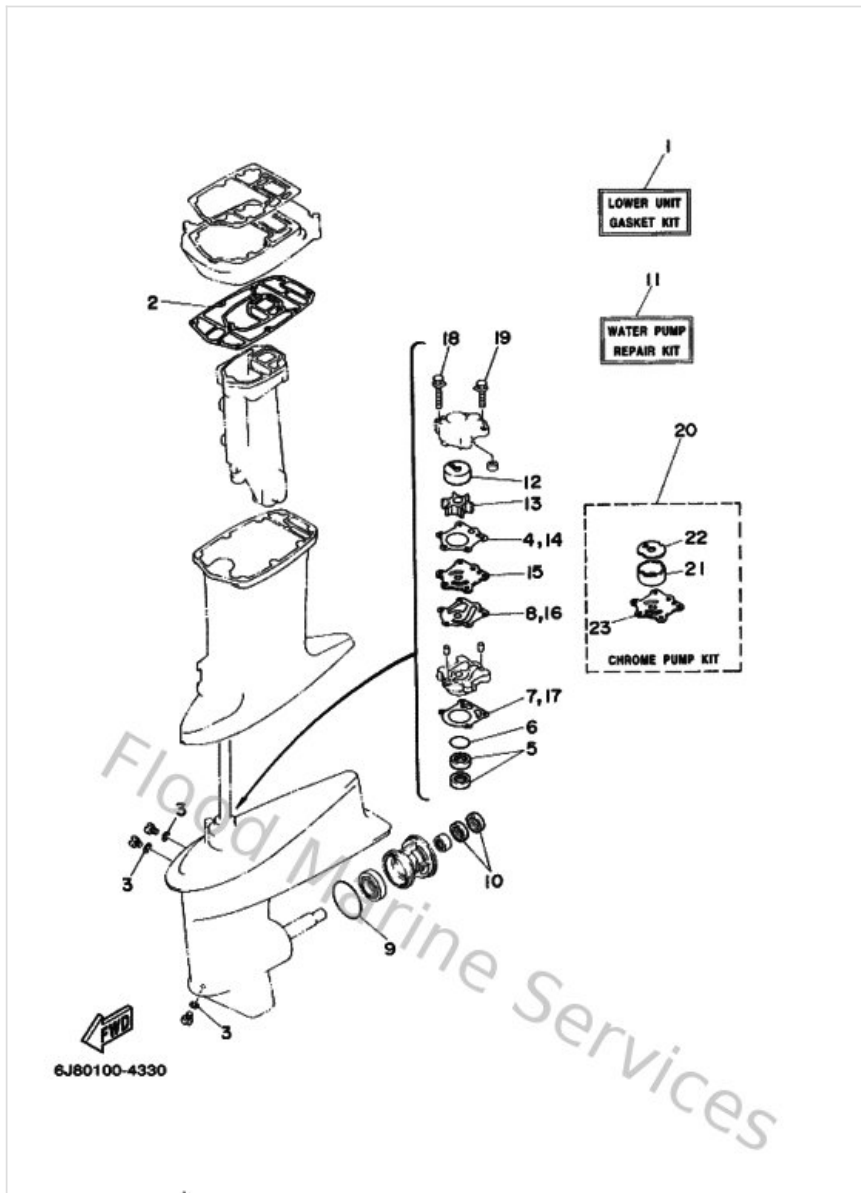
Ref	Part	
1	<a href="#">6J8W00010300</a> Powerhead gasket kit	<a href="#">Buy now</a>
2	<a href="#">9310125M2800</a> Oil seal(6j8)	<a href="#">Buy now</a>
3	<a href="#">9310416M0400</a> Oil seal(6a8)	<a href="#">Buy now</a>
4	<a href="#">9321056M8000</a> O-ring(6j8)	<a href="#">Buy now</a>
5	<a href="#">6J811181A100</a> Gasket, cylinder head 1	<a href="#">Buy now</a>
6	<a href="#">6J811193A100</a> Gasket, head cover 1	<a href="#">Buy now</a>
7	<a href="#">61A12414A000</a> Gasket, cover	<a href="#">Buy now</a>
8	<a href="#">6J841114A000</a> Gasket, exhaust outer cover	<a href="#">Buy now</a>
9	<a href="#">9310226M2700</a> Oil seal(6j8)	<a href="#">Buy now</a>
10	<a href="#">6J8136210000</a> Gasket, valve seat	<a href="#">Buy now</a>
11	<a href="#">6J8149840000</a> Gasket, float chamber	<a href="#">Buy now</a>
12	<a href="#">6J8141980000</a> Gasket	<a href="#">Buy now</a>
13	<a href="#">932103273800</a> O-ring(1wg)	<a href="#">Buy now</a>
14	<a href="#">6J845113A000</a> Gasket, upper casing	<a href="#">Buy now</a>
15	<a href="#">932104215900</a> O-ring (647)	<a href="#">Buy now</a>

# Repair Kit 1



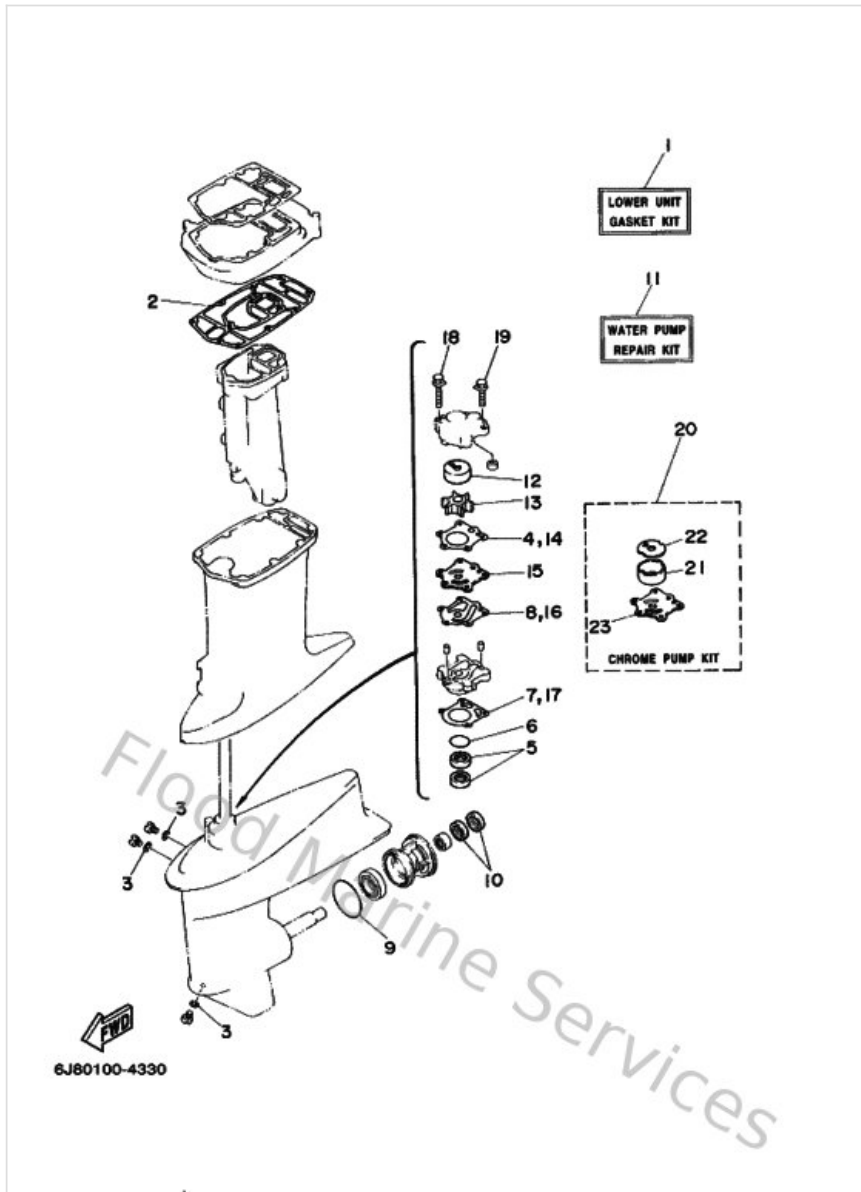
Ref	Part	
16	<a href="#">6J8W00930000</a> Carburetor repair kit	<a href="#">Buy now</a>
19	<a href="#">6J8149950000</a> Gasket, drain screw	<a href="#">Buy now</a>
20	<a href="#">6J8149850000</a> Float	<a href="#">Buy now</a>
21	<a href="#">6E5145460000</a> Valve, needle	<a href="#">Buy now</a>
22	<a href="#">6J8141590000</a> Clip	<a href="#">Buy now</a>
23	<a href="#">6J8145480000</a> Pin, float arm	<a href="#">Buy now</a>
24	<a href="#">6J8149660000</a> Plug	<a href="#">Buy now</a>
25	<a href="#">6J8141260000</a> Plug	<a href="#">Buy now</a>
26	<a href="#">6J8141180000</a> Plug	<a href="#">Buy now</a>
27	<a href="#">979800411200</a> Screw, pan head (686)	<a href="#">Buy now</a>

# Repair Kit 2



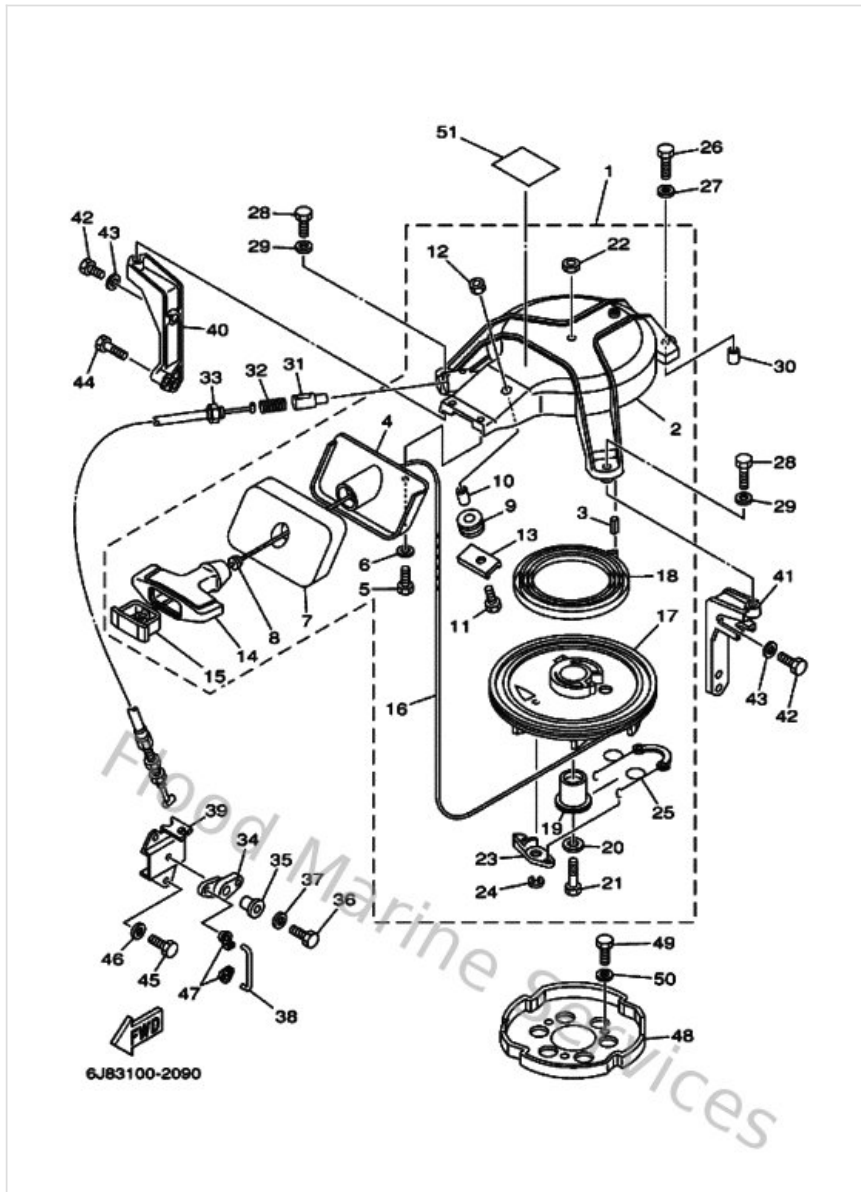
Ref	Part	
1	<a href="#">6J8W0001C200</a> Gasket kit	<a href="#">Buy now</a>
2	<a href="#">6J845114A100</a> Gasket, upper casing	<a href="#">Buy now</a>
3	<a href="#">904300802000</a> Gasket	<a href="#">Buy now</a>
4	<a href="#">66344315A000</a> Gasket,water pump 1	<a href="#">Buy now</a>
5	<a href="#">931012307000</a> Oil seal (663)	<a href="#">Buy now</a>
6	<a href="#">932104104200</a> O-ring (132)	<a href="#">Buy now</a>
7	<a href="#">66344316A000</a> Gasket,water pump 2	<a href="#">Buy now</a>
8	<a href="#">66344324A000</a> Gasket,cartridge outer plate	<a href="#">Buy now</a>
9	<a href="#">9321060MA300</a> O-ring(6j8)	<a href="#">Buy now</a>
10	<a href="#">9310120M0700</a> Oil seal	<a href="#">Buy now</a>
11	<a href="#">6J8W0078A200</a> Water pump repair kit	<a href="#">Buy now</a>
12	<a href="#">663443220000</a> Insert, cartridge	<a href="#">Buy now</a>
13	<a href="#">6H4443520200</a> Impeller	<a href="#">Buy now</a>
15	<a href="#">663443230000</a> Outer plate, cartridge	<a href="#">Buy now</a>
18	<a href="#">9011908M1300</a> Bolt, with washer(6h0)	<a href="#">Buy now</a>

## Repair Kit 2



Ref	Part	
19	<a href="#">9011908M3400</a> Bolt, with washer(6j8)	<a href="#">Buy now</a>
20	<a href="#">6H4W00780A00</a> Chrome pump kit	<a href="#">Buy now</a>
21	<a href="#">670443220100</a> Insert, cartridge	<a href="#">Buy now</a>
22	<a href="#">670443210000</a> Inner plate, cartridge	<a href="#">Buy now</a>
23	<a href="#">670443230000</a> Outer plate, cartridge	<a href="#">Buy now</a>

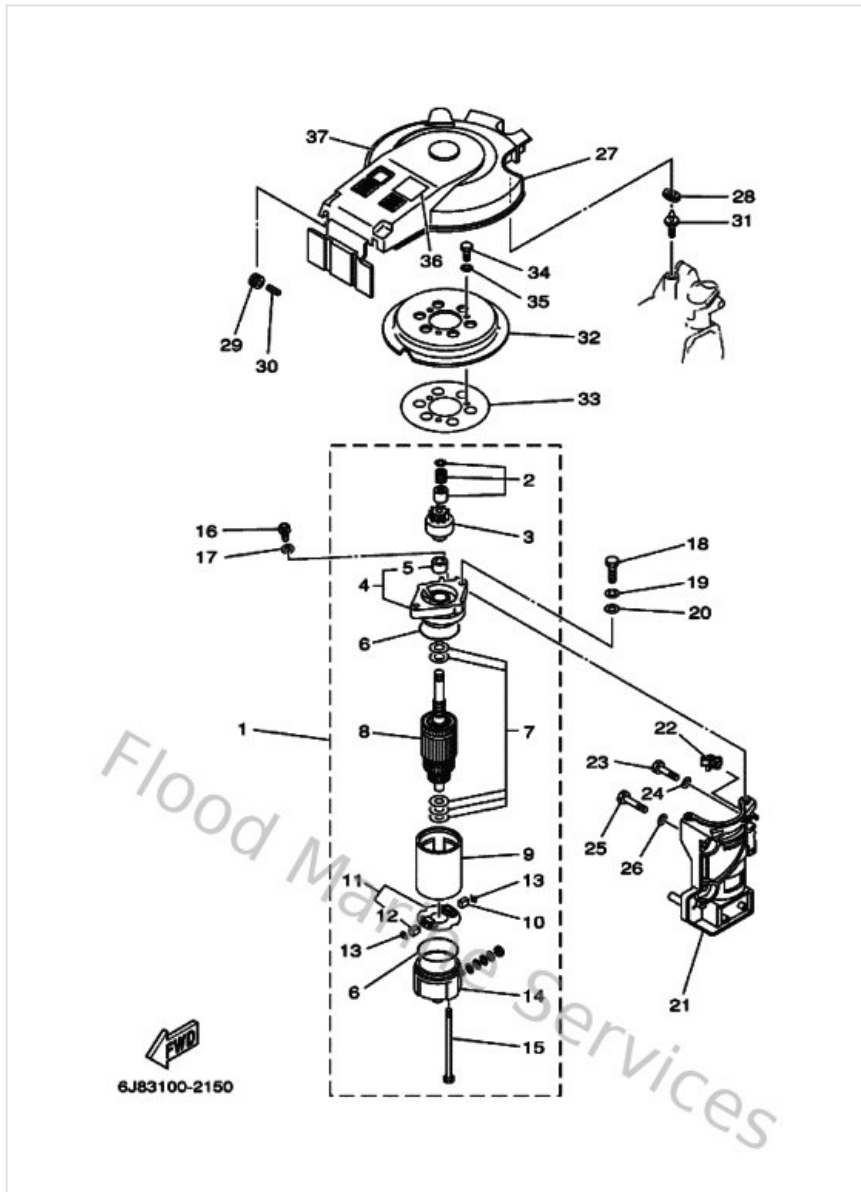
# Starter



Ref	Part	
40	<a href="#">6J8157710094</a> Stay 1	<a href="#">Buy now</a>
41	<a href="#">6J8157720094</a> Stay 2	<a href="#">Buy now</a>
42	<a href="#">970130602000</a> Bolt(62y)	<a href="#">Buy now</a>
43	<a href="#">929030660000</a> Washer, plain (646)	<a href="#">Buy now</a>
44	<a href="#">901010602400</a> Bolt	<a href="#">Buy now</a>
42	<a href="#">975130652000</a> Bolt, with washer(61b)	<a href="#">Buy now</a>

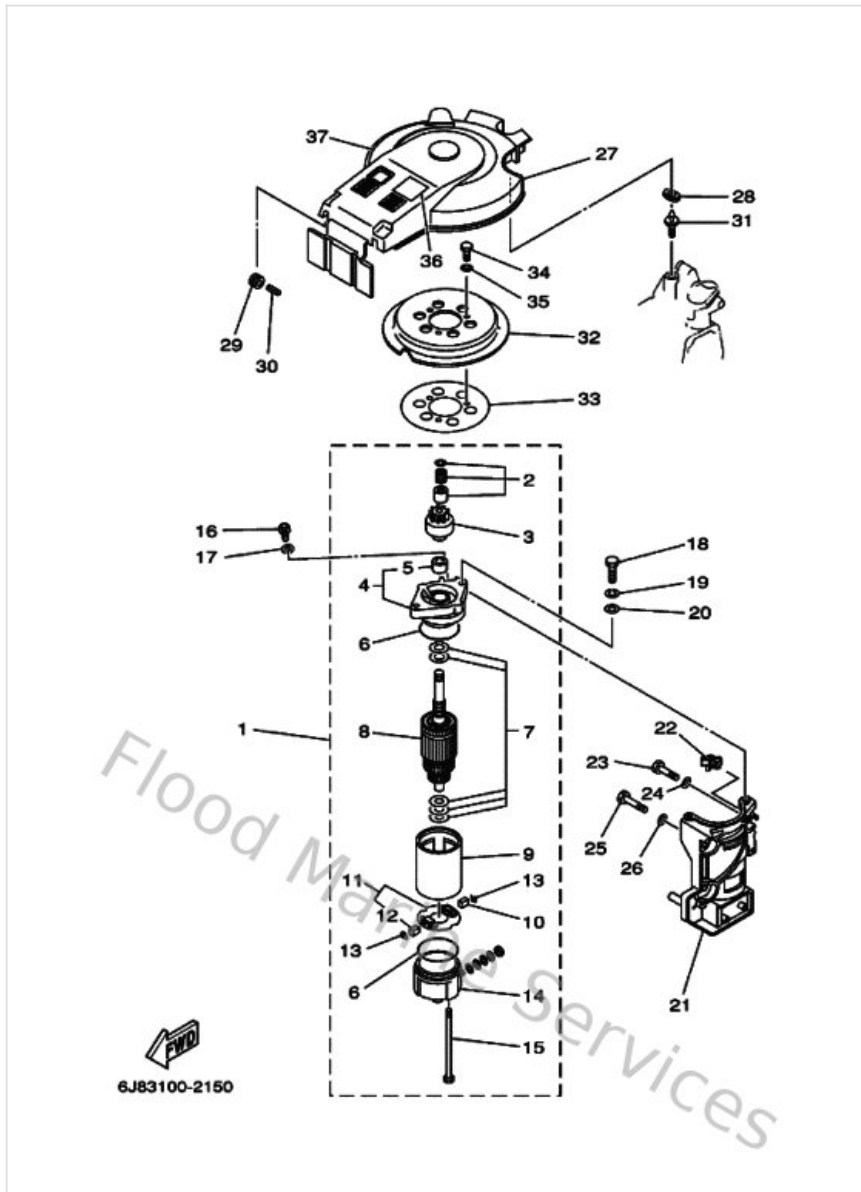


# Starting Motor



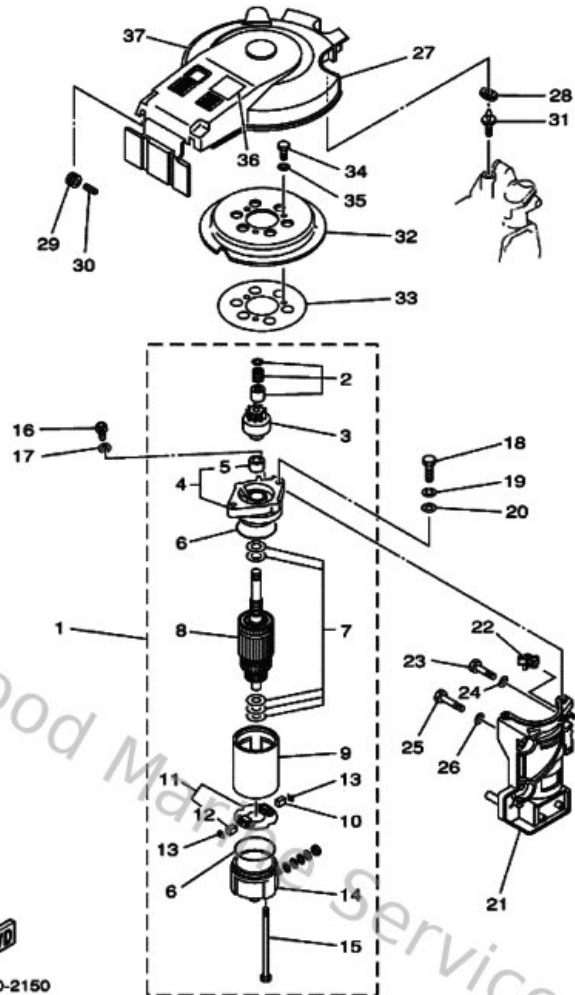
Ref	Part	
1	<a href="#">6F5818001100</a> Starting motor assembly	<a href="#">Buy now</a>
2	<a href="#">689818571100</a> Pinion stopper set	<a href="#">Buy now</a>
3	<a href="#">689818071200</a> Pinion assembly	<a href="#">Buy now</a>
4	<a href="#">6F5818301100</a> Front cover assembly	<a href="#">Buy now</a>
5	<a href="#">689818310000</a> Metal, front	<a href="#">Buy now</a>
6	<a href="#">689818471100</a> O-ring	<a href="#">Buy now</a>
7	<a href="#">689818091100</a> Washer kit	<a href="#">Buy now</a>
8	<a href="#">689818501200</a> Armature assembly	<a href="#">Buy now</a>
9	<a href="#">689818101100</a> Stator ass'y	<a href="#">Buy now</a>
10	<a href="#">689818111100</a> Brush 1	<a href="#">Buy now</a>
11	<a href="#">689818401100</a> Brush holder assembly	<a href="#">Buy now</a>
12	<a href="#">689818121100</a> Brush 2	<a href="#">Buy now</a>
13	<a href="#">689818131000</a> Spring, brush	<a href="#">Buy now</a>
14	<a href="#">689818201100</a> Rear cover ass'y	<a href="#">Buy now</a>
15	<a href="#">689818261000</a> Bolt	<a href="#">Buy now</a>

# Starting Motor



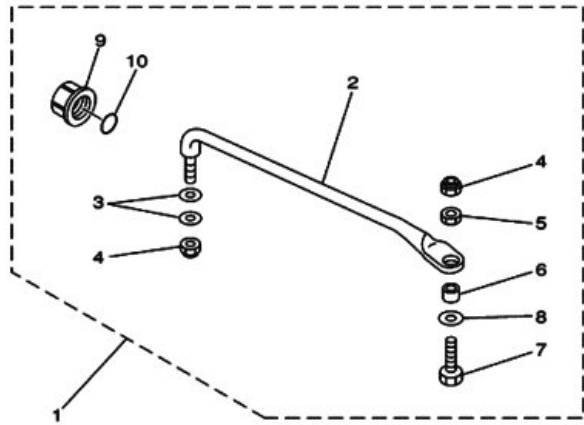
Ref	Part	
16	<a href="#">970130801600</a> Bolt, hexagon	<a href="#">Buy now</a>
17	<a href="#">929901010000</a> Ybs67-10 washer, spring	<a href="#">Buy now</a>
18	<a href="#">970130803000</a> Bolt	<a href="#">Buy now</a>
19	<a href="#">929030810000</a> Ybs67-8 washer, spring	<a href="#">Buy now</a>
21	<a href="#">6J8818220194</a> Bracket, starting motor	<a href="#">Buy now</a>
22	<a href="#">9046403M1500</a> Clamp(6j8)	<a href="#">Buy now</a>
23	<a href="#">970130803500</a> Bolt	<a href="#">Buy now</a>
25	<a href="#">970130805500</a> Bolt, hexagon	<a href="#">Buy now</a>
26	<a href="#">929030860000</a> Washer, plain (663)	<a href="#">Buy now</a>
27	<a href="#">6J8813371000</a> Cover, flywheel	<a href="#">Buy now</a>
28	<a href="#">9048014M1700</a> Grommet(6j8)	<a href="#">Buy now</a>
29	<a href="#">9048010M1600</a> Grommet(6j8)	<a href="#">Buy now</a>
30	<a href="#">916905002200</a> Pin, spring (676)	<a href="#">Buy now</a>
31	<a href="#">6J8813380000</a> Clamp, lead	<a href="#">Buy now</a>
32	<a href="#">6J815723E100</a> Pulley, starter	<a href="#">Buy now</a>

# Starting Motor



Ref	Part	
33	<a href="#">6J881365A000</a> Gasket, hole cover	<a href="#">Buy now</a>
34	<a href="#">970130801400</a> Bolt(692)	<a href="#">Buy now</a>
37	<a href="#">6J8134378100</a> Mark, caution	<a href="#">Buy now</a>

# Steering Guide

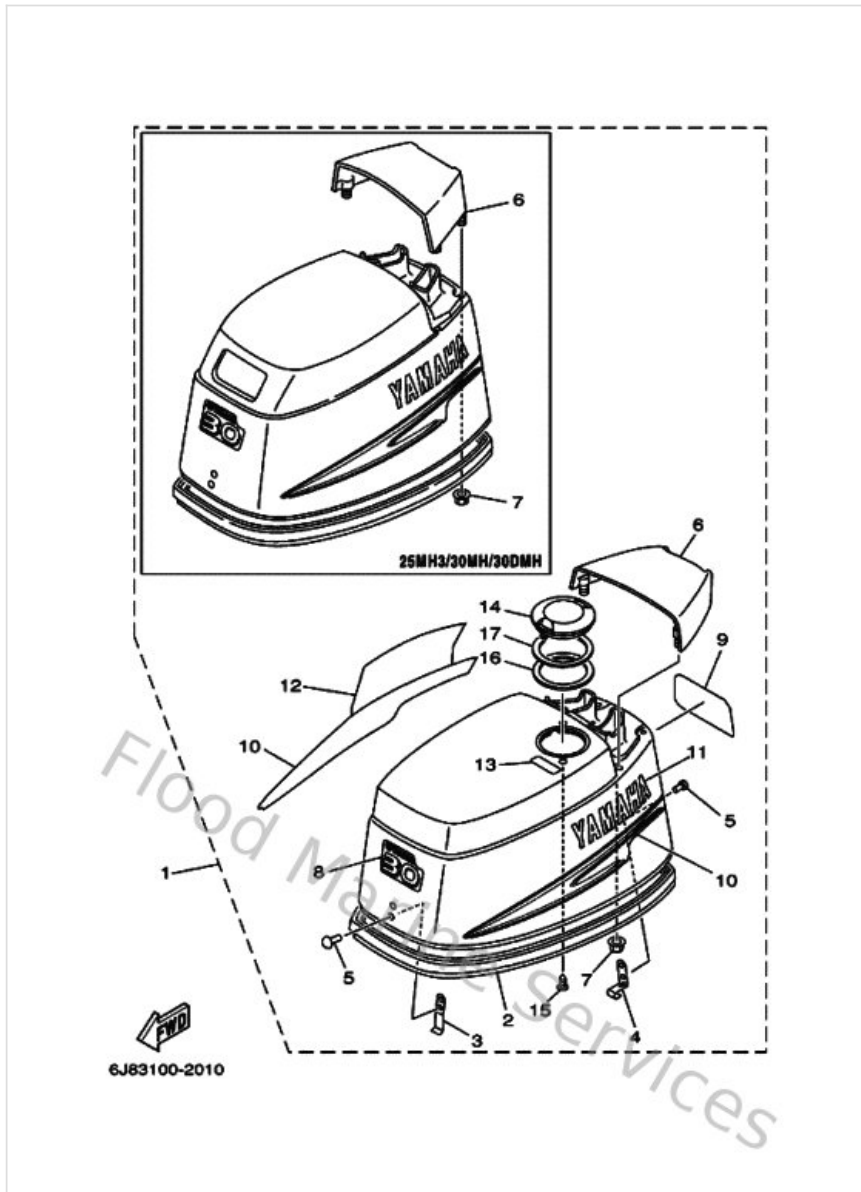


6J83100-2290

Flood Marine Services

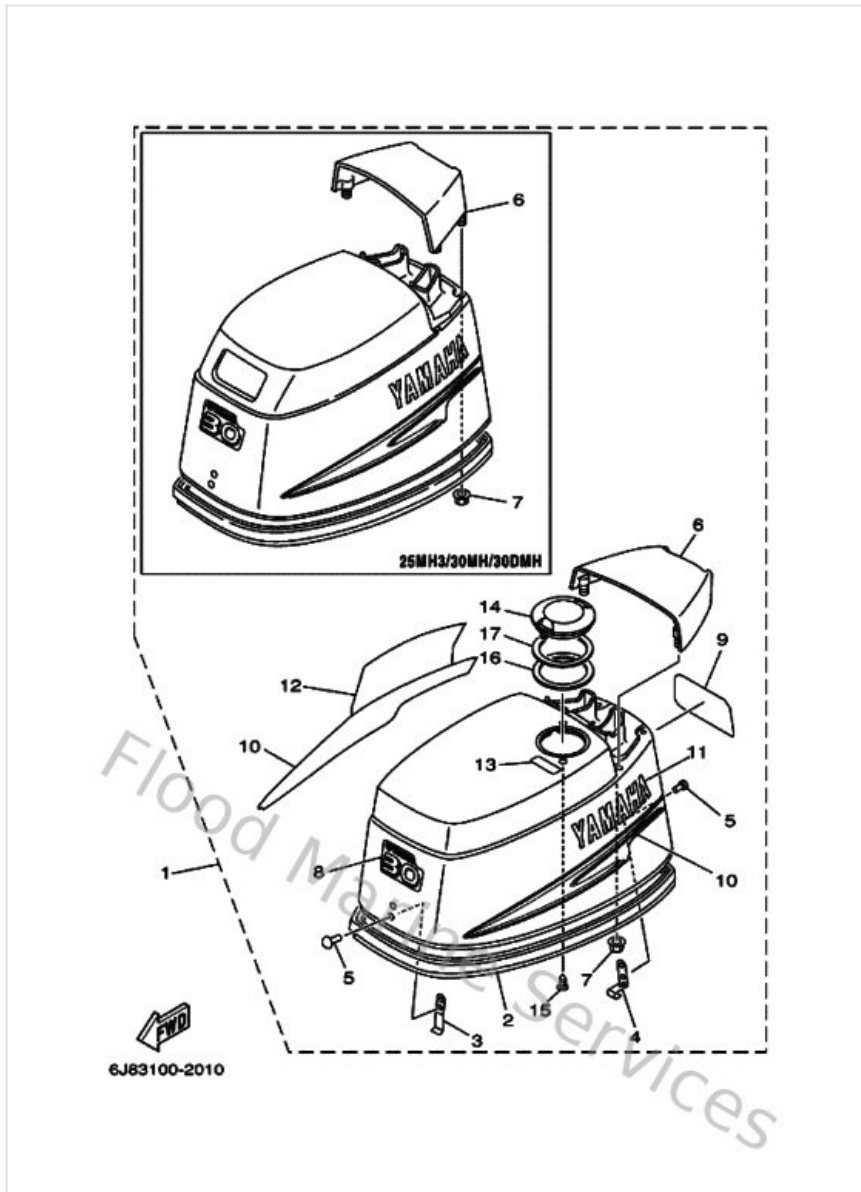
Ref	Part	
1	<a href="#">689613500200</a> Steering guide attachment kit	<a href="#">Buy now</a>
2	<a href="#">689613510100</a> Rod, steering	<a href="#">Buy now</a>
3	<a href="#">9020110M2000</a> Washer, plate (663)	<a href="#">Buy now</a>
4	<a href="#">9018509M0100</a> Nut, nylon (663)	<a href="#">Buy now</a>
5	<a href="#">9017009M0300</a> Nut (689)	<a href="#">Buy now</a>
6	<a href="#">9038710M4200</a> Coller (688)	<a href="#">Buy now</a>
7	<a href="#">6E5613550000</a> Bolt	<a href="#">Buy now</a>
8	<a href="#">9020110M6300</a> Washer, plate	<a href="#">Buy now</a>
9	<a href="#">6E5431450100</a> Cap, clamp bracket	<a href="#">Buy now</a>
10	<a href="#">932101627500</a> O-ring	<a href="#">Buy now</a>
5	<a href="#">9010109M6600</a> Bolt	<a href="#">Buy now</a>
9	<a href="#">6E5431450000</a> Cap, clamp bracket	<a href="#">Buy now</a>

# Top Cowling



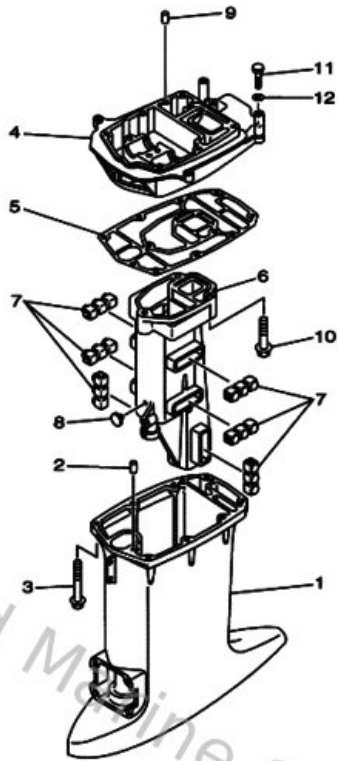
Ref	Part	
1	<a href="#">6J842610F04D</a> Top Cowling assembly	<a href="#">Buy now</a>
2	<a href="#">6J8426150000</a> Seal	<a href="#">Buy now</a>
3	<a href="#">6J8426510300</a> Hook	<a href="#">Buy now</a>
4	<a href="#">6J8426520000</a> Hook	<a href="#">Buy now</a>
5	<a href="#">9026604M0000</a> Rivet 2 (662)	<a href="#">Buy now</a>
6	<a href="#">6J842613104D</a> Molding, air duct	<a href="#">Buy now</a>
7	<a href="#">9017906M2400</a> Nut(6j8)	<a href="#">Buy now</a>
8	<a href="#">6J8426773000</a> Graphic, Front	<a href="#">Buy now</a>
9	<a href="#">6J8426783000</a> Graphic, front	<a href="#">Buy now</a>
10	<a href="#">6J8W00703000</a> Graphic Set	<a href="#">Buy now</a>
11	<a href="#">6J8426813000</a> Mark, Cowling	<a href="#">Buy now</a>
12	<a href="#">6J8426823000</a> Mark, Cowling	<a href="#">Buy now</a>
13	<a href="#">6J8134364000</a> Mark	<a href="#">Buy now</a>
14	<a href="#">6J82177H0000</a> Disk cap 2	<a href="#">Buy now</a>
15	<a href="#">9016103M0100</a> Screw, tapping(6j8)	<a href="#">Buy now</a>

# Top Cowling



Ref	Part	
16	<a href="#">6J8217320000</a> Seal 1	<a href="#">Buy now</a>
17	<a href="#">6J8217350000</a> Seal 2	<a href="#">Buy now</a>
1	<a href="#">6J842610434D</a> Top Cowling assembly	<a href="#">Buy now</a>
8	<a href="#">6J8426771000</a> Graphic, rear	<a href="#">Buy now</a>
9	<a href="#">61T426784000</a> Graphic, rear	<a href="#">Buy now</a>
10	<a href="#">6J8W00701400</a> Graphic set	<a href="#">Buy now</a>
11	<a href="#">6J8426811100</a> Mark, cowling	<a href="#">Buy now</a>
12	<a href="#">6J8426821200</a> Mark, cowling	<a href="#">Buy now</a>

# Upper Casing



Ref	Part	
1	<a href="#">6J845111114D</a> Casing, upper	<a href="#">Buy now</a>
2	<a href="#">936061201900</a> Pin, dowel (614)	<a href="#">Buy now</a>
3	<a href="#">9011908M3100</a> Bolt, with washer(6j8)	<a href="#">Buy now</a>
4	<a href="#">6J8411370194</a> Guide, exhaust	<a href="#">Buy now</a>
5	<a href="#">6J845114A100</a> Gasket, upper casing	<a href="#">Buy now</a>
6	<a href="#">6J84113100CA</a> Manifold, ext. 1	<a href="#">Buy now</a>
7	<a href="#">6J8147370000</a> Damper, muffler	<a href="#">Buy now</a>
8	<a href="#">9033807M0000</a> Plug(6j8)	<a href="#">Buy now</a>
10	<a href="#">975750855000</a> Bolt, with washer	<a href="#">Buy now</a>
11	<a href="#">970750803000</a> Bolt, hexagon (fj1)	<a href="#">Buy now</a>
12	<a href="#">929950860000</a> Washer, plain (663)	<a href="#">Buy now</a>



# Disclaimer

This document is provided for convenience only. It is **not** an official Yamaha publication and is **not supplied, endorsed, or approved** by Yamaha Motor Co., Ltd.

Reasonable efforts are made to keep information accurate; however diagrams, part references, supersessions, descriptions, and applicability may contain errors or omissions. Specifications and part availability may change without notice.

You are responsible for confirming the correct parts for your engine (including model code, year, serial range, and any superseded part numbers) before ordering or fitting.