



FLOOD MARINE SERVICES

# Yamaha 30DMHO 1999

Parts Manual

[www.floodmarine.co.uk](http://www.floodmarine.co.uk)

+44 2882 246 539

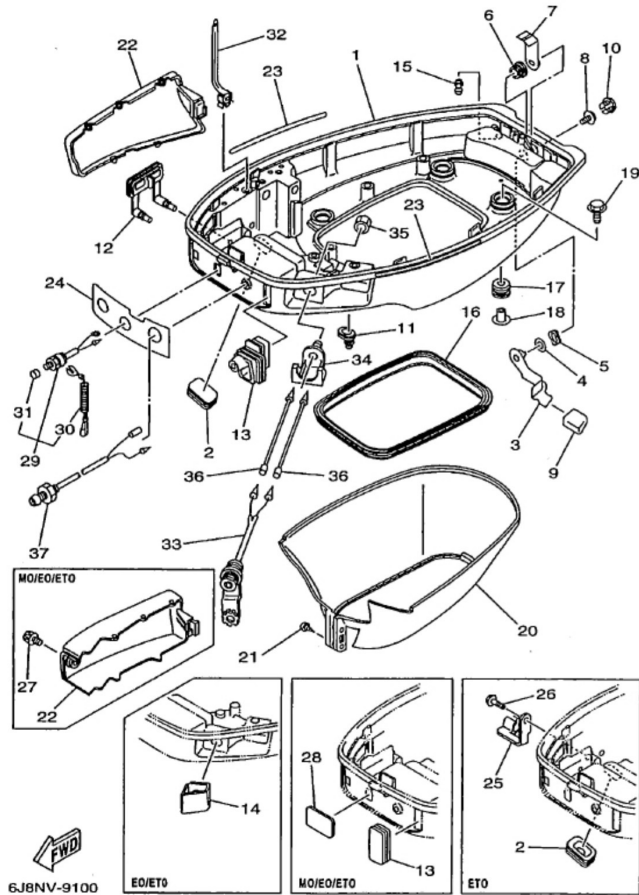
Authorised Yamaha Dealers



# Contents

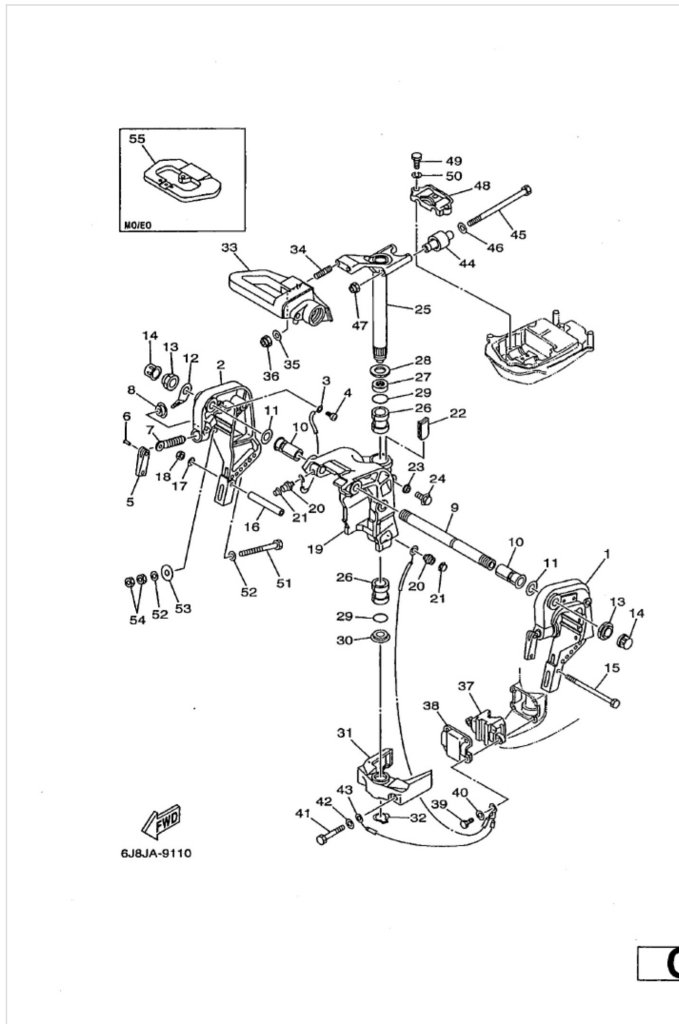
<b>BOTTOM COWLING</b>	3
<b>BRACKET 1</b>	4
<b>BRACKET 2</b>	7
<b>BRACKET 3</b>	11
<b>BRACKET 4</b>	14
<b>BRACKET4</b>	15
<b>CARBURETOR</b>	17
<b>CONTROL</b>	20
<b>CRANKSHAFT. PISTON</b>	23
<b>CYLINDER. CRANKCASE</b>	25
<b>ELECTRICAL 1</b>	27
<b>ELECTRICAL 2</b>	29
<b>ELECTRICAL 3</b>	31
<b>ELECTRICAL3</b>	33
<b>FUEL</b>	34
<b>FUEL TANK</b>	36
<b>GENERATOR</b>	37
<b>INTAKE</b>	39
<b>LOWER CASING. DRIVE 1</b>	41
<b>LOWER CASING. DRIVE 2</b>	44
<b>METER</b>	47
<b>OIL PUMP</b>	50
<b>OILPUMP</b>	52
<b>POWER TRIM &amp; TILT ASSY</b>	55
<b>REMOTE</b>	59
<b>REMOTE CONTROL ASSY 1</b>	61
<b>REMOTE CONTROL ASSY 2</b>	64
<b>REMOTE CONTROL ATTACHMENT</b>	67
<b>REMOTE CONTROL BOX</b>	69
<b>REPAIR KIT 1</b>	70
<b>REPAIR KIT2</b>	72
<b>STARTER</b>	73
<b>STARTING MOTOR</b>	76
<b>STEERING</b>	79
<b>STEERING GUIDE</b>	81
<b>TOP COWLING</b>	82
<b>UPPER CASING</b>	83

# Bottom Cowling



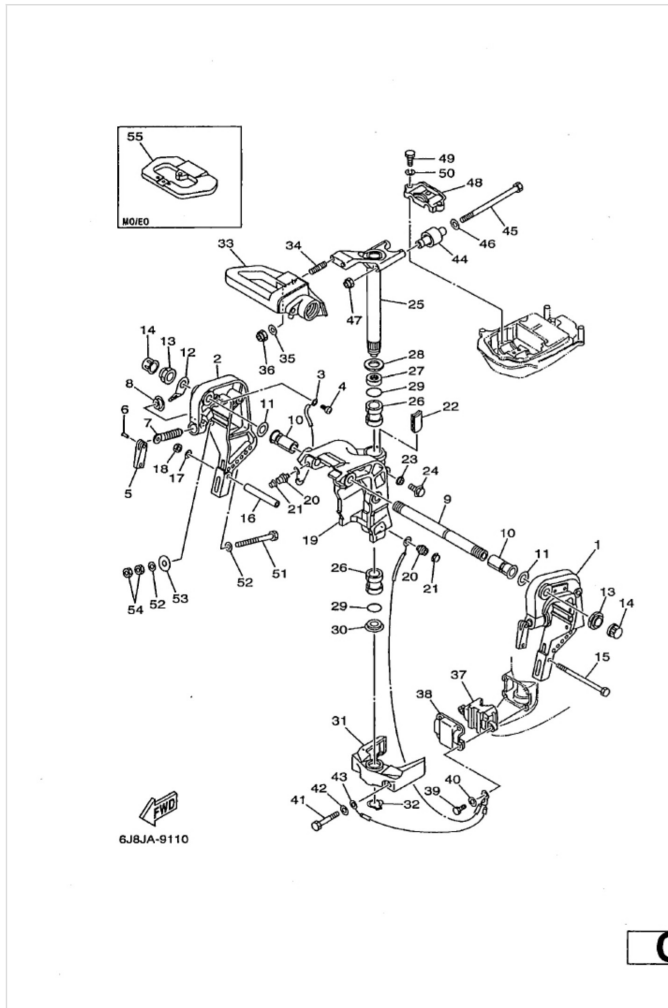
Ref	Part	
24	<a href="#">6J84271920</a> Panel, front lower NEEE	<a href="#">Buy now</a>
25	<a href="#">9046409Ms1</a> Clamp	<a href="#">Buy now</a>
26	<a href="#">9010906M86</a> Bolt	<a href="#">Buy now</a>
27	<a href="#">6J84284600</a> Screw	<a href="#">Buy now</a>
28	<a href="#">6184272620</a> Grommet	<a href="#">Buy now</a>
29	<a href="#">6898257504</a> Engine stop switch assembly	<a href="#">Buy now</a>
30	<a href="#">6828255600</a> Lanyard, stop switch	<a href="#">Buy now</a>
31	<a href="#">6898257Y00</a> Cap	<a href="#">Buy now</a>
32	<a href="#">9046513M76</a> Clamp	<a href="#">Buy now</a>
33	<a href="#">6828438100</a> 2p concent 1	<a href="#">Buy now</a>
35	<a href="#">6638255700</a> Nut	<a href="#">Buy now</a>
36	<a href="#">6J88255300</a> Extension, wire lead 2  2	<a href="#">Buy now</a>
97	<a href="#">6J88541000</a> Emergency signal light assembly RIKIR	<a href="#">Buy now</a>
97	<a href="#">eJaNVa100</a> Leven uoEO/ETO )	<a href="#">Buy now</a>

# Bracket 1



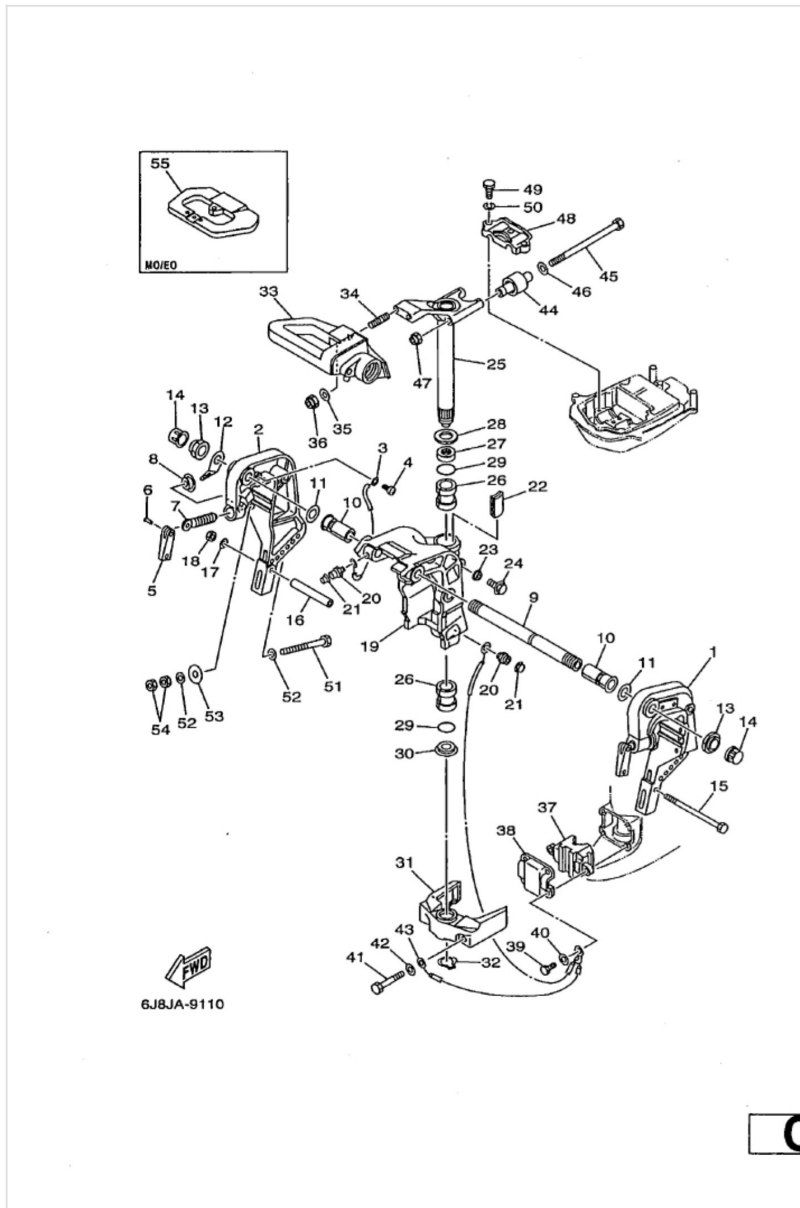
Ref	Part	
3	<a href="#">6E58214800</a> Wire, lead 5 RIE	<a href="#">Buy now</a>
4	<a href="#">9788506008</a> Screw, pan head(6a3) [RIN	<a href="#">Buy now</a>
5	<a href="#">6E04311801</a> Handle, transom clamp 2  2  2	<a href="#">Buy now</a>
6	<a href="#">9024304M01</a> -	<a href="#">Buy now</a>
7	<a href="#">9014914M12</a> Screw(6h4)	<a href="#">Buy now</a>
8	<a href="#">6484311401</a> Pad, transom clamp 2  2  2	<a href="#">Buy now</a>
9	<a href="#">6J84313101</a> Bolt, clamp bracket [RIE	<a href="#">Buy now</a>
10	<a href="#">9038622M69</a> Bush(6k9) 2) 2  2	<a href="#">Buy now</a>
12	<a href="#">6J84311301</a> Plate, clamp bracket	<a href="#">Buy now</a>
13	<a href="#">9018522043</a> Nut, self-locking 2  2  2	<a href="#">Buy now</a>
14	<a href="#">6G54314500</a> Cap, clamp bracket 2f 2	<a href="#">Buy now</a>
15	<a href="#">9010108339</a> Bolt, hexagon (656) 1  1	<a href="#">Buy now</a>
17	<a href="#">9299508600</a> Washer, plain (663) 1  1	<a href="#">Buy now</a>
18	<a href="#">9538008600</a> Nut (661) 1  1	<a href="#">Buy now</a>
20	<a href="#">9370006M03</a> Nipple, grease(6a1) al sla	<a href="#">Buy now</a>

# Bracket 1



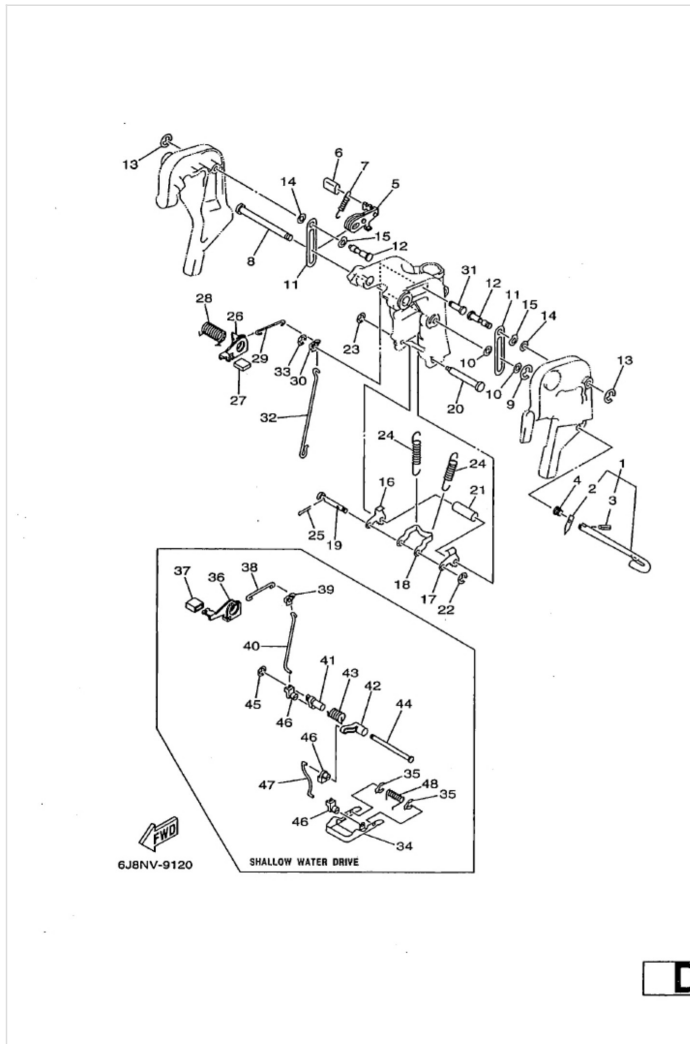
Ref	Part	
22	<a href="#">6J84252800</a> Plate, friction (RIE)	<a href="#">Buy now</a>
23	<a href="#">6804337001</a> Seal Damper IERIE	<a href="#">Buy now</a>
24	<a href="#">648JA8110</a> 25 6J8-42510-02-4D Steering Bracket assembly 1] 1	<a href="#">Buy now</a>
24	<a href="#">9010506M18</a> Bolt (689) 1] 1	<a href="#">Buy now</a>
27	<a href="#">9038630M78</a> Bush(6h0) 1) 1] 1	<a href="#">Buy now</a>
29	<a href="#">9321020M94</a> O-Ring 2] 2] 2	<a href="#">Buy now</a>
30	<a href="#">9038630M60</a> Bush(6j8) [IRIE	<a href="#">Buy now</a>
31	<a href="#">BH444551024D</a> Housing, Lower Mount Rubber 1] 1	<a href="#">Buy now</a>
32	<a href="#">9341028M05</a> Circlip 11] 1	<a href="#">Buy now</a>
34	<a href="#">9011610M28</a> Bolt, stud 2] 2] 2	<a href="#">Buy now</a>
35	<a href="#">9299510600</a> Washer, plate 2] 2] 2	<a href="#">Buy now</a>
36	<a href="#">9018510051</a> Nut, self-locking 2] 2] 2	<a href="#">Buy now</a>
37	<a href="#">6144455710</a> Mount Damper,	<a href="#">Buy now</a>
37	<a href="#">6H44455700</a> Mount, lower front	<a href="#">Buy now</a>
38	<a href="#">6H44455301</a> Cover, lower mount 11]	<a href="#">Buy now</a>

# Bracket 1



Ref	Part	
39	<a href="#">9709508025</a> Bolt (62g) af a	<a href="#">Buy now</a>
41	<a href="#">9709510060</a> Bolt, hexagon 2  2f 2	<a href="#">Buy now</a>
43	<a href="#">6H48212700</a> Wire, lead 2	<a href="#">Buy now</a>
44	<a href="#">6H44451400</a> Mount, upper side 2  2  2	<a href="#">Buy now</a>
45	<a href="#">9010908M26</a> Bolt(6j8) 2  2  2	<a href="#">Buy now</a>
46	<a href="#">2020109425</a> Washer, Plate 2  2  2	<a href="#">Buy now</a>
47	<a href="#">90185G8045</a> Nut, Self-Locking 3 73 2	<a href="#">Buy now</a>
49	<a href="#">9707508035</a> Bolt(70w) alas	<a href="#">Buy now</a>
50	<a href="#">6j8JA9110</a> 51 90101-10Ms8	<a href="#">Buy now</a>
50	<a href="#">9209508100</a> Washer 33a	<a href="#">Buy now</a>
53	<a href="#">9020112426</a> Washe, plate(663)	<a href="#">Buy now</a>
5	<a href="#">6j848511014D</a> Hook, steering   BALL POST/	<a href="#">Buy now</a>
54	<a href="#">9538010600</a> Nut(624)	<a href="#">Buy now</a>

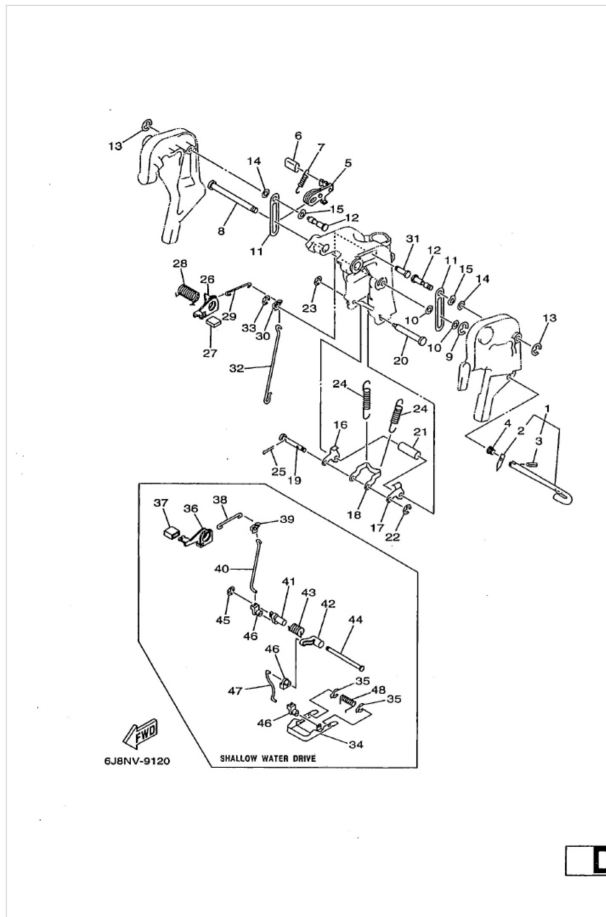
# Bracket 2



Ref	Part	
1	<a href="#">6H44316001</a> Tilt rod assembly IEE	<a href="#">Buy now</a>
2	<a href="#">6764316500</a> Stopper plate, titl lock rod	<a href="#">Buy now</a>
3	<a href="#">9169030010</a> Pin, spring (663) RIE	<a href="#">Buy now</a>
4	<a href="#">9050210M04</a> Spring, conical(6f5) RIE	<a href="#">Buy now</a>
5	<a href="#">6J84318101</a> Lever, tilt stop 1 HEI	<a href="#">Buy now</a>
6	<a href="#">6824331801</a> Cover i	<a href="#">Buy now</a>
7	<a href="#">9050612M25</a> Spring, tension(6h4) [IRIE]	<a href="#">Buy now</a>
8	<a href="#">9024912M28</a> Pin(6h4) [IRIE]	<a href="#">Buy now</a>
9	<a href="#">9343010M00</a> Circlip [IRIE]	<a href="#">Buy now</a>
10	<a href="#">9020212031</a> Washer, plate 6484412600 2f 2  2	<a href="#">Buy now</a>
11	<a href="#">6J84362700</a> Stopper	<a href="#">Buy now</a>
12	<a href="#">9024912M27</a> Pin(6f6) 2  2  2	<a href="#">Buy now</a>
15	<a href="#">9020612M16</a> Washer, wave(6j8) 2  2  2	<a href="#">Buy now</a>
17	<a href="#">6J84361500</a> Plate, tilt lock	<a href="#">Buy now</a>
18	<a href="#">6J84361301</a> Arm, tilt lock	<a href="#">Buy now</a>

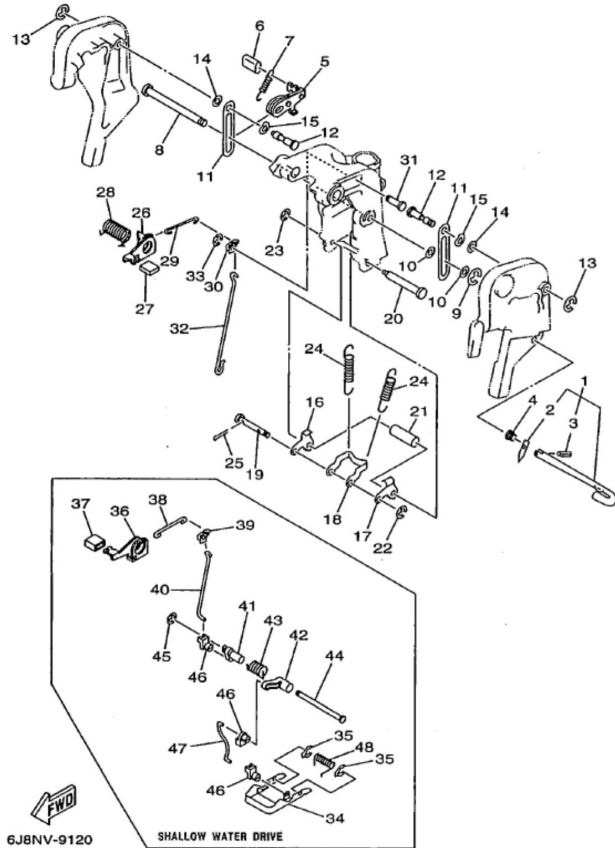
## Bracket 2





Ref	Part	
19	<a href="#">6H44385000</a> 12- 19 11] 1	<a href="#">Buy now</a>
20	<a href="#">6J84361101</a> Shaft, tilt lock [IRIE	<a href="#">Buy now</a>
22	<a href="#">9343006M02</a> Circlip (689) [IRIE	<a href="#">Buy now</a>
23	<a href="#">9343005027</a> Circlip(22k) [IRIE	<a href="#">Buy now</a>
24	<a href="#">9050632M22</a> Spring, tension(6j8) 2 2f2	<a href="#">Buy now</a>
24	<a href="#">91490-20010</a> Pin, cotter	<a href="#">Buy now</a>
27	<a href="#">6J84353300</a> Gover,Tilt Lever [IRIE	<a href="#">Buy now</a>
20	<a href="#">6H44361600</a> Rod, tilt lock 1 11]	<a href="#">Buy now</a>
26	<a href="#">9050818M23</a> Spring, torsion(6h4) HK_] For sHaLLow	<a href="#">Buy now</a>
30	<a href="#">6J84364100</a> Lever, tilt 11] 1	<a href="#">Buy now</a>
31	<a href="#">9024906M24</a> Pin(6h4) 11] 1 FOR SHALLOW	<a href="#">Buy now</a>
32	<a href="#">6084361700</a> Rod, Tilt Lock LIRIE	<a href="#">Buy now</a>
34	<a href="#">6J84368101</a> Lever, shallow water drive 11]	<a href="#">Buy now</a>
35	<a href="#">6J84367300</a> Washer 1 2  2  2	<a href="#">Buy now</a>
40	<a href="#">684361710</a> Rod, Tilt Lock	<a href="#">Buy now</a>

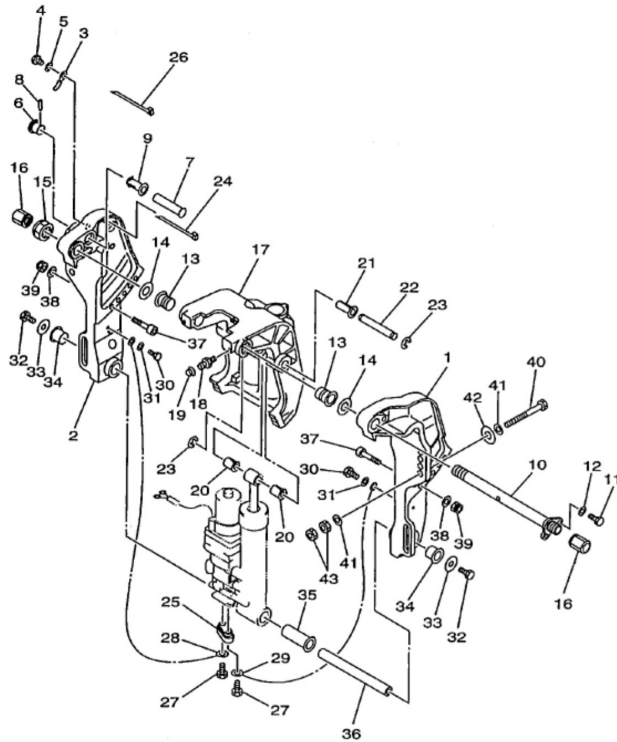
# Bracket 2



Ref	Part	
41	<a href="#">684318600</a> Lever	<a href="#">Buy now</a>
42	<a href="#">6J84318700</a> Lever 2	<a href="#">Buy now</a>
43	<a href="#">9050825M31</a> Spring, Torsion	<a href="#">Buy now</a>
44	<a href="#">9024907M25</a> Pin(6h4)	<a href="#">Buy now</a>
46	<a href="#">6J84126200</a> Joint, choke lever	<a href="#">Buy now</a>
47	<a href="#">6484361610</a> Rod, Tilt Lock	<a href="#">Buy now</a>
48	<a href="#">6JBNV9120</a> Shallow Water Drive	<a href="#">Buy now</a>
48	<a href="#">9050830M22</a> 'Spring, Torsion	<a href="#">Buy now</a>
96	<a href="#">6J84363110</a> Lever, tilt ARIE	<a href="#">Buy now</a>



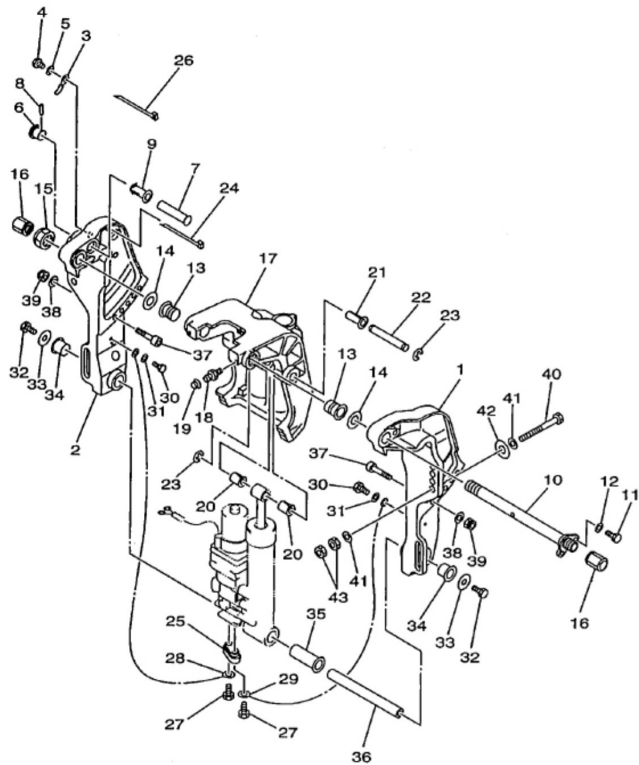
# Bracket 3



FWD  
6J8JA-9131

Ref	Part	
1	<a href="#">6K943111104D</a> Bracket, clamp 1	<a href="#">Buy now</a>
2	<a href="#">6K943112104D</a> Bracket, clamp	<a href="#">Buy now</a>
3	<a href="#">9046510M77</a> Clamp	<a href="#">Buy now</a>
4	<a href="#">9709506010</a> Bolt	<a href="#">Buy now</a>
5	<a href="#">9299506600</a> Washer, plain (646)	<a href="#">Buy now</a>
6	<a href="#">65W4319200</a> Knob, stopper	<a href="#">Buy now</a>
7	<a href="#">65W4319100</a> Shaft, stopper	<a href="#">Buy now</a>
8	<a href="#">9169030018</a> 926-51502-00 pin, spring (700)	<a href="#">Buy now</a>
9	<a href="#">9038614MA1</a> Bush	<a href="#">Buy now</a>
10	<a href="#">6K94313100</a> Bolt, clamp bracket	<a href="#">Buy now</a>
11	<a href="#">9709508020</a> Bolt, hexagon	<a href="#">Buy now</a>
12	<a href="#">9299508100</a> Ybs67-8 washer, spring	<a href="#">Buy now</a>
13	<a href="#">9038622M15</a> Bushing (688)	<a href="#">Buy now</a>
14	<a href="#">9020122M03</a> Washer, plate(64j)	<a href="#">Buy now</a>
18	<a href="#">9370008M03</a> Nipple, Grease	<a href="#">Buy now</a>

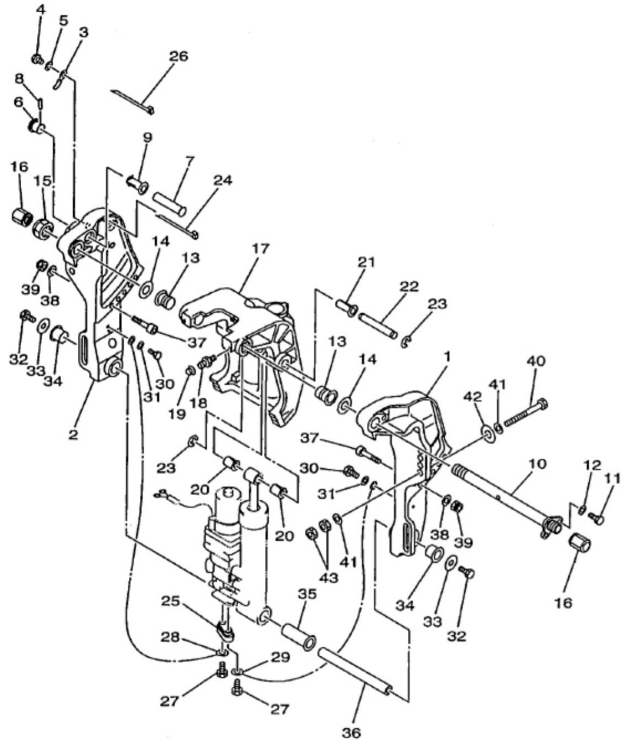
# Bracket 3



FWD  
6J8JA-9131

Ref	Part	
20	<a href="#">9038612MA0</a> Bush, solid	<a href="#">Buy now</a>
22	<a href="#">9024912M38</a> Pin	<a href="#">Buy now</a>
23	<a href="#">9343010M00</a> Circlip	<a href="#">Buy now</a>
24	<a href="#">9046513M11</a> Clamp (6e5)	<a href="#">Buy now</a>
24	<a href="#">su8JA9131</a> 25 65W-45251-00 ANODE	<a href="#">Buy now</a>
27	<a href="#">9708506025</a> Bolt	<a href="#">Buy now</a>
28	<a href="#">00485T1MT0</a> Tclamp TTT TTT oe ERR	<a href="#">Buy now</a>
28	<a href="#">6H18214800</a> Wire, lead	<a href="#">Buy now</a>
29	<a href="#">6U08212700</a> Wire, lead 5	<a href="#">Buy now</a>
30	<a href="#">9709506014</a> Bolt(gj3)	<a href="#">Buy now</a>
32	<a href="#">9708008016</a> Bolt	<a href="#">Buy now</a>
33	<a href="#">9020108M00</a> Washer,	<a href="#">Buy now</a>
34	<a href="#">9038618M440</a> Bushing (6g5)	<a href="#">Buy now</a>
35	<a href="#">9038618MAD</a> Bush	<a href="#">Buy now</a>
36	<a href="#">9024918M35</a> Pin, lower shock mount	<a href="#">Buy now</a>

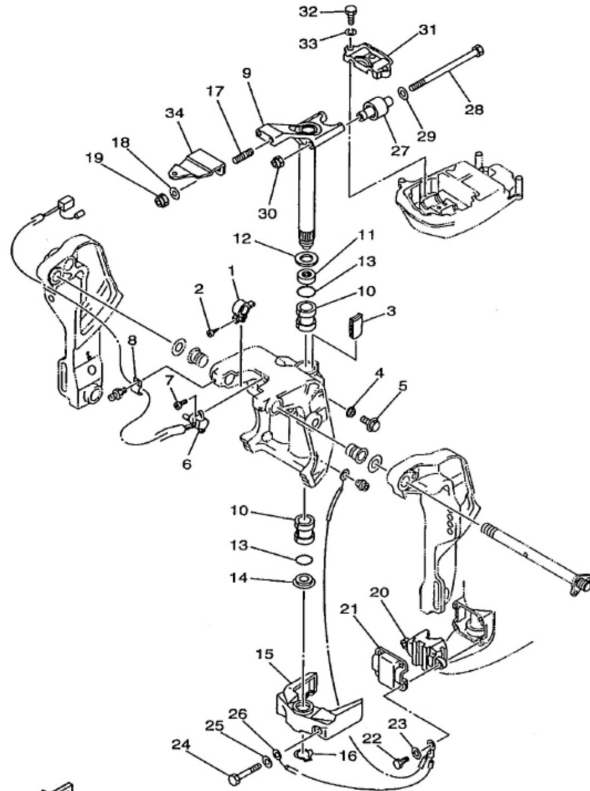
# Bracket 3



  
6J8JA-9131

Ref	Part	
38	<a href="#">920</a> Her	<a href="#">Buy now</a>
39	<a href="#">9018510M13</a> Nut, self-locking	<a href="#">Buy now</a>
40	<a href="#">9010112M65</a> Bolt a	<a href="#">Buy now</a>
41	<a href="#">9299512200</a> Ybs66-12 washer,plain	<a href="#">Buy now</a>
42	<a href="#">9020112426</a> Washes, plate(663)	<a href="#">Buy now</a>
97	<a href="#">90H010M02</a> Bolt, Hexagon Socket Head	<a href="#">Buy now</a>

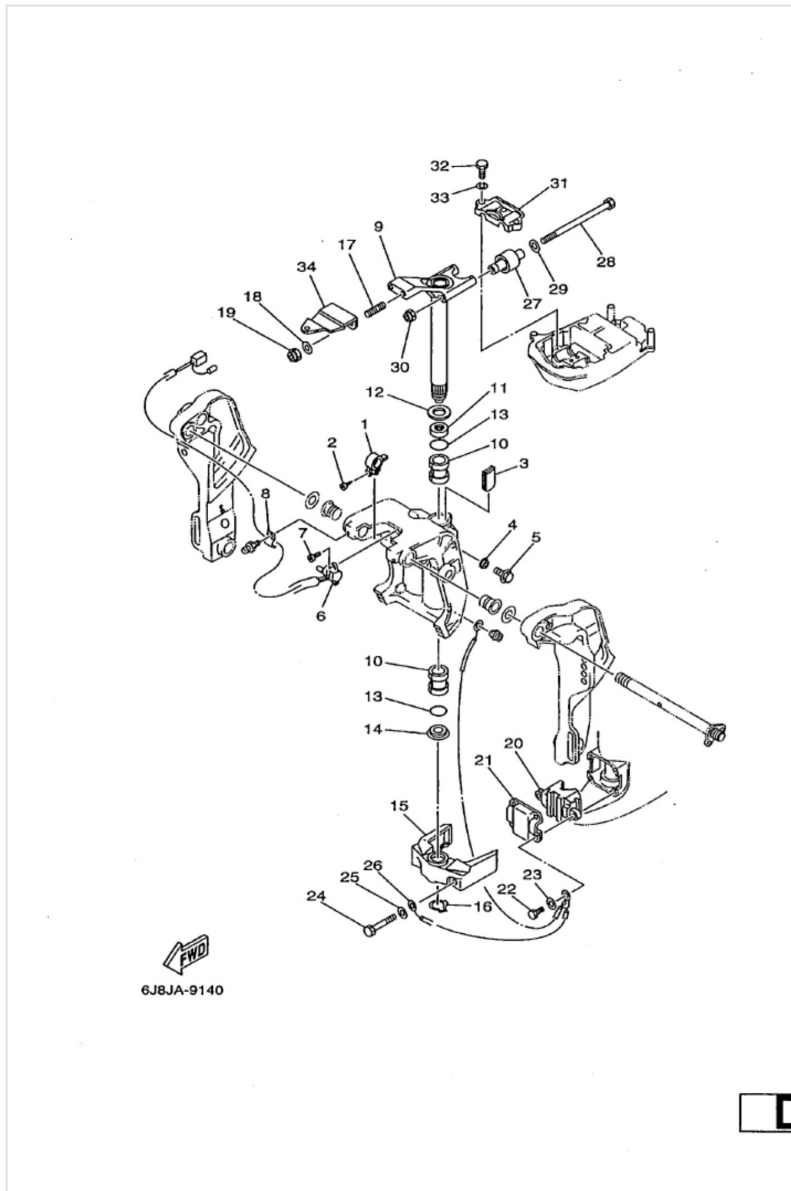
# Bracket 4



6J8JA-9140

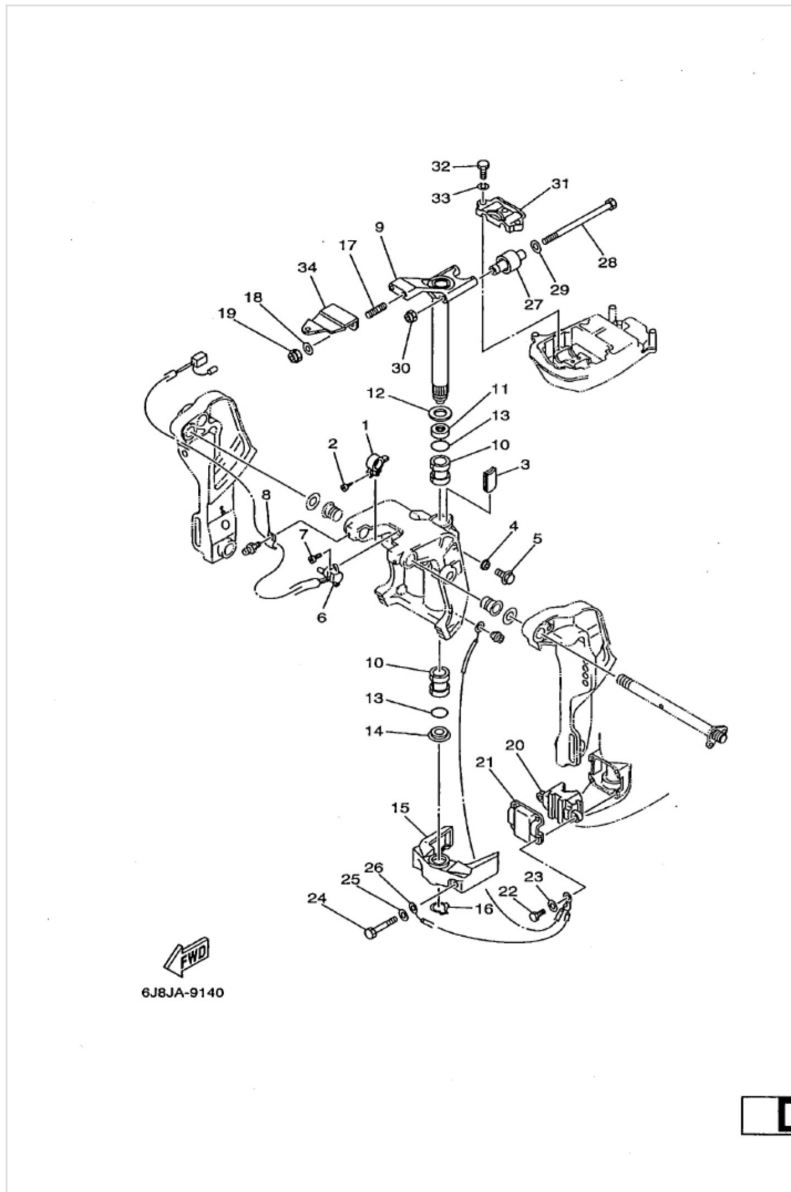
Ref	Part	
28	<a href="#">9010908M26</a> Bolt(6j8) 2	<a href="#">Buy now</a>
29	<a href="#">9020109425</a> Washer, plate (663)	<a href="#">Buy now</a>
30	<a href="#">9018508045</a> Nut, self-locking 2	<a href="#">Buy now</a>
31	<a href="#">6j844511004D</a> Cover, upper mount	<a href="#">Buy now</a>
33	<a href="#">9299508100</a> Ybs67-8 washer, spring or	<a href="#">Buy now</a>
34	<a href="#">6j848511514D</a> Hook, steering	<a href="#">Buy now</a>

# Bracket4



Ref	Part	
1	<a href="#">6K94313900</a> Cam, trim sender (with screw)	<a href="#">Buy now</a>
2	<a href="#">9778060525</a> Screw, tapping(65j)	<a href="#">Buy now</a>
3	<a href="#">6J84252800</a> Plate, friction	<a href="#">Buy now</a>
4	<a href="#">6894337301</a> Seal, damper	<a href="#">Buy now</a>
5	<a href="#">9010506Mi8</a> Bolt, Washer Based	<a href="#">Buy now</a>
6	<a href="#">200</a> 200Feto	<a href="#">Buy now</a>
7	<a href="#">9788506016</a> Screw, pan head(6b0)	<a href="#">Buy now</a>
8	<a href="#">9046508M63</a> Clamp(61u)	<a href="#">Buy now</a>
9	<a href="#">6J842510024D</a> Steering bracket assembly	<a href="#">Buy now</a>
10	<a href="#">9038630M77</a> Bush(6h0)	<a href="#">Buy now</a>
12	<a href="#">9020130M00</a> Washer, plate(6h1)	<a href="#">Buy now</a>
13	<a href="#">9321029M94</a> O-ring(6h1)	<a href="#">Buy now</a>
14	<a href="#">9038630M60</a> Bush(6j8)	<a href="#">Buy now</a>
15	<a href="#">6H444551024D</a> Housing, lower mount rubber 1 <b>RUBBER 1</b>	<a href="#">Buy now</a>
17	<a href="#">9011610M28</a> Bolt, stud	<a href="#">Buy now</a>

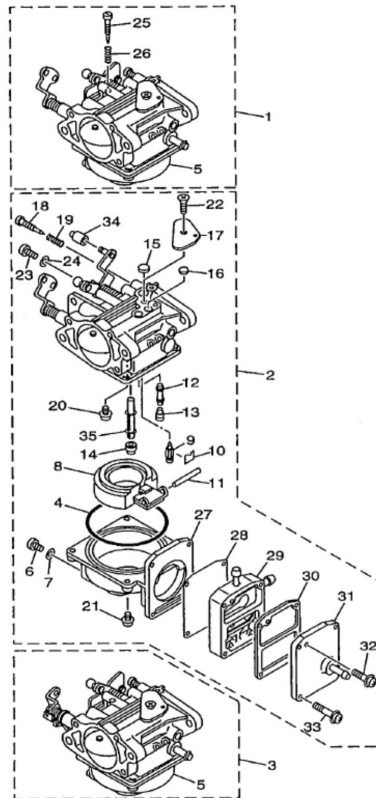
# Bracket4



Ref	Part	
18	<a href="#">6289510600</a> Washer 2	<a href="#">Buy now</a>
19	<a href="#">9018510051</a> Nut, self-locking	<a href="#">Buy now</a>
20	<a href="#">6H44455710</a> Mount, lower front	<a href="#">Buy now</a>
22	<a href="#">9709508025</a> Bolt (62g)	<a href="#">Buy now</a>
23	<a href="#">9299508600</a> Washer, plain (663)	<a href="#">Buy now</a>
24	<a href="#">6J8JA9140</a> -	<a href="#">Buy now</a>
24	<a href="#">9709510060</a> Bolt, hexagon	<a href="#">Buy now</a>
27	<a href="#">6H44451400</a> Mount, upper side 2	<a href="#">Buy now</a>



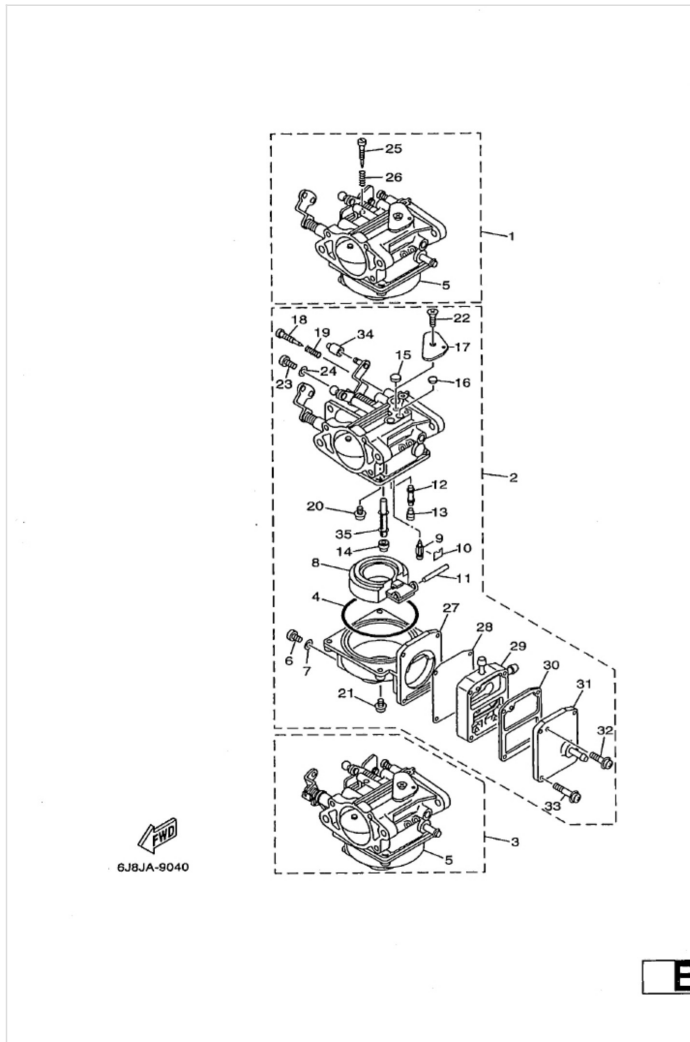
# Carburetor



**B**

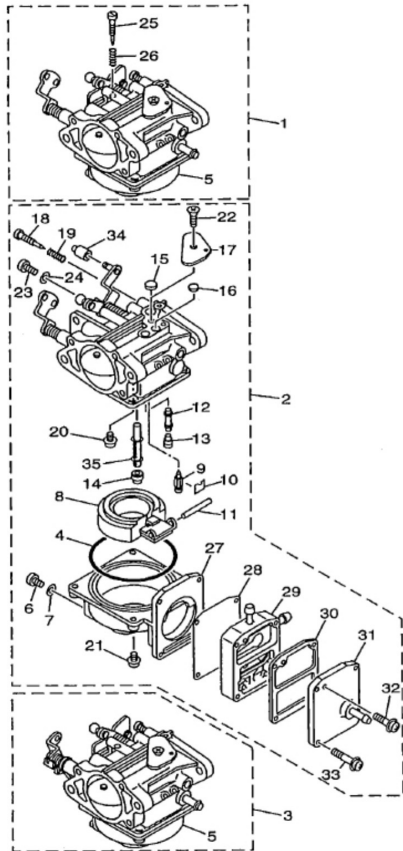
Ref	Part	
1	<a href="#">6J81430111</a> Carburetor assembly 1	<a href="#">Buy now</a>
1	<a href="#">6K91430111</a> Carburetor	<a href="#">Buy now</a>
2	<a href="#">6J8-14546-00</a> Valve, needle	<a href="#">Buy now</a>
2	<a href="#">6J81430201</a> Carburetor assembly 2	<a href="#">Buy now</a>
2	<a href="#">6K91430201</a> Carburetor assembly 2 UR CENTER,25	<a href="#">Buy now</a>
3	<a href="#">6J81430301</a> Carburetor assembly 3	<a href="#">Buy now</a>
3	<a href="#">6K91430301</a> Carburetor assembly 3	<a href="#">Buy now</a>
4	<a href="#">6J81498400</a> Gasket, float chamber HEEE	<a href="#">Buy now</a>
5	<a href="#">6J81498000</a> Body Float Chamber	<a href="#">Buy now</a>
6	<a href="#">6J81499100</a> Screw, drain 3 3	<a href="#">Buy now</a>
7	<a href="#">6J81499500</a> Gasket, drin screw HEEE	<a href="#">Buy now</a>
10	<a href="#">6J81415900</a> Clip HEIEIE	<a href="#">Buy now</a>
11	<a href="#">6J81454800</a> Pin, float arm 3  33	<a href="#">Buy now</a>
12	<a href="#">6J81492F25</a> Jet, air slow (#50)	<a href="#">Buy now</a>
13	<a href="#">6081496600</a> Plug 3  a  3 3	<a href="#">Buy now</a>

# Carburetor



Ref	Part	
14	<a href="#">6081492E51</a> Jet.	<a href="#">Buy now</a>
14	<a href="#">60B1492E48</a> Jet, Main (496)	<a href="#">Buy now</a>
15	<a href="#">6J81412600</a> Plug EEE	<a href="#">Buy now</a>
16	<a href="#">6Ja14116</a> EI	<a href="#">Buy now</a>
17	<a href="#">6081452701</a> Plate a  a 3  of	<a href="#">Buy now</a>
18	<a href="#">6081492300</a> Screw, Pilot a  a  af 3	<a href="#">Buy now</a>
18	<a href="#">6J8JA9040</a> 20 97980-04110	<a href="#">Buy now</a>
22	<a href="#">9878005008</a> Screw Flat Head(6J8) EEE	<a href="#">Buy now</a>
23	<a href="#">6J81459201</a> Screw 3  3  3  3	<a href="#">Buy now</a>
24	<a href="#">9299005600</a> Washer, plain (646) 3  3  3  3	<a href="#">Buy now</a>
25	<a href="#">6J81452300</a> Screw, stop IRIE UPPER	<a href="#">Buy now</a>
26	<a href="#">6J81433400</a> Spring, throttle UPPER	<a href="#">Buy now</a>
27	<a href="#">6J81498100</a> Body, Float Chamber URIRIR CENTER	<a href="#">Buy now</a>
28	<a href="#">6J82447100</a> Diaphragm CENTE!	<a href="#">Buy now</a>
29	<a href="#">6J82441500</a> Body comp (with valve) 111  1 CENTER	<a href="#">Buy now</a>

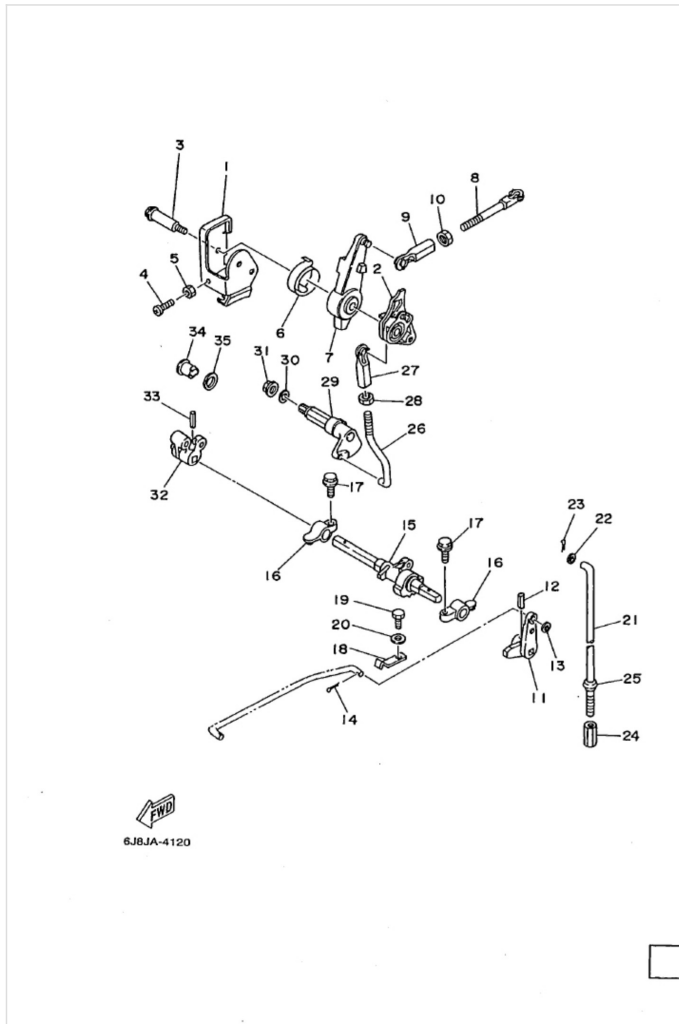
# Carburetor



Ref	Part	
30	<a href="#">6J82443200</a> Gasket, fuel pump 2 HEBIRIR! CENTER	<a href="#">Buy now</a>
31	<a href="#">6J82445200</a> Cover	<a href="#">Buy now</a>
32	<a href="#">9798003122</a> Screw, with washer(6j8) CENTER	<a href="#">Buy now</a>
34	<a href="#">6J81457800</a> Collar Hp CENTER	<a href="#">Buy now</a>
35	<a href="#">6J81492A00</a> Nozzle, main 3( 3] 3] 3	<a href="#">Buy now</a>

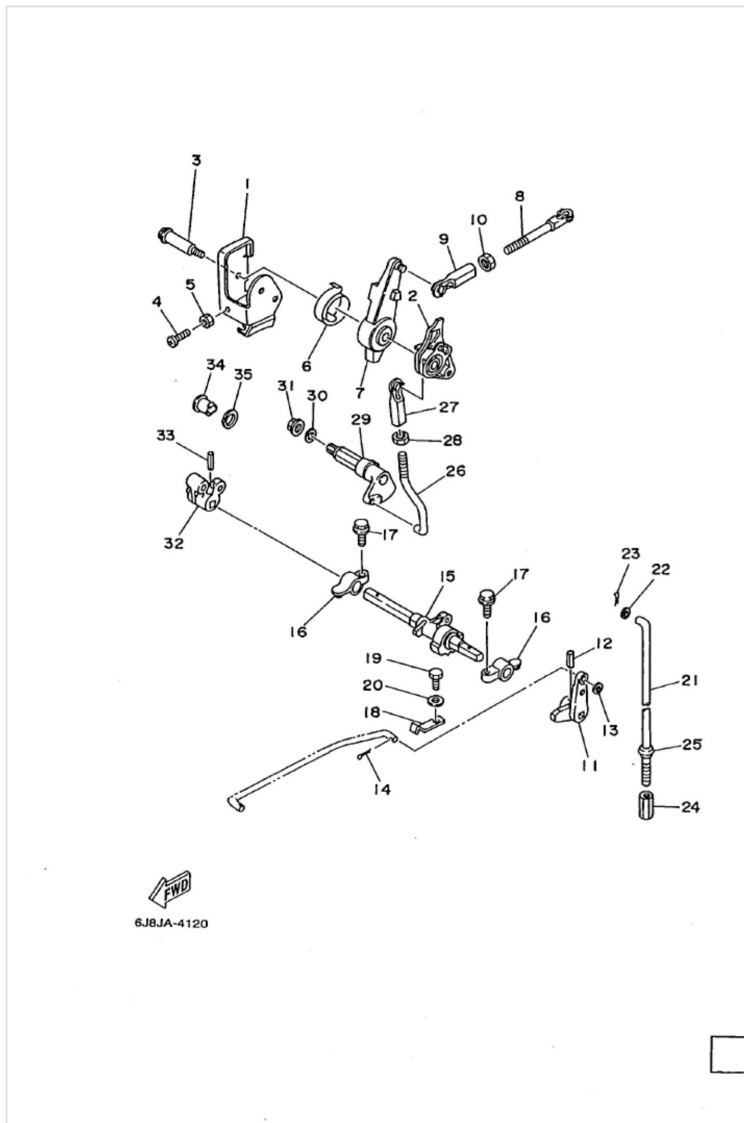


# Control



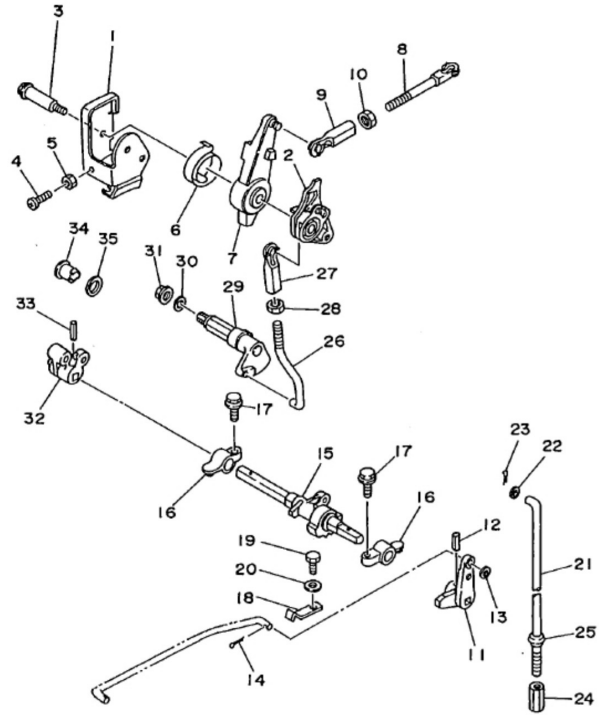
Ref	Part	
1	<a href="#">6J81449700</a> Stay, throttle wire	<a href="#">Buy now</a>
2	<a href="#">6J84121300</a> Cam, accel. RIKI	<a href="#">Buy now</a>
3	<a href="#">9010906M28</a> Bolt(6j8) LIRIRIRN	<a href="#">Buy now</a>
4	<a href="#">9788006025</a> Screw, pan head(6b0) HRIEIRJ	<a href="#">Buy now</a>
5	<a href="#">9530306600</a> Nut(661) LRIRIE	<a href="#">Buy now</a>
6	<a href="#">6J84216700</a> Spring 1 h	<a href="#">Buy now</a>
7	<a href="#">6J84163102</a> Lever, magneto control URIRIE	<a href="#">Buy now</a>
8	<a href="#">6894216901</a> Joint LRIEIN	<a href="#">Buy now</a>
9	<a href="#">6824120700</a> Joint, Link IRIE	<a href="#">Buy now</a>
10	<a href="#">9538005600</a> Nut, hexagon (663) [KINI]	<a href="#">Buy now</a>
12	<a href="#">9169030318</a> Pin, spring (6h3)	<a href="#">Buy now</a>
13	<a href="#">9299006200</a> Ybs66-6 washer, plain	<a href="#">Buy now</a>
14	<a href="#">9149020012</a> Pin, cotter (648)	<a href="#">Buy now</a>
15	<a href="#">6J84412100</a> Lever, shift rod	<a href="#">Buy now</a>
16	<a href="#">BGi416620104</a> Bracket	<a href="#">Buy now</a>

# Control



Ref	Part	
17	<a href="#">9751306520</a> Bolt, with washer(61b)	<a href="#">Buy now</a>
18	<a href="#">6J84411600</a> Spring	<a href="#">Buy now</a>
19	<a href="#">9709506012</a> Bolt(gh1)	<a href="#">Buy now</a>
20	<a href="#">9299506600</a> Washer, plain (646)	<a href="#">Buy now</a>
22	<a href="#">9299005600</a> Washer, plain (646)	<a href="#">Buy now</a>
23	<a href="#">9149016010</a> Pin, cotter	<a href="#">Buy now</a>
24	<a href="#">6J81A3120</a> Ecrou	<a href="#">Buy now</a>
24	<a href="#">9017006015</a> Connector, shift rod	<a href="#">Buy now</a>
25	<a href="#">6894337801</a> Seal, Damper	<a href="#">Buy now</a>
27	<a href="#">6824123700</a> Joint, link 2	<a href="#">Buy now</a>
29	<a href="#">6J84215401</a> Lever, throttle control LRIRIEI	<a href="#">Buy now</a>
30	<a href="#">9020210024</a> Washer plate 648441880000 HRIRIE	<a href="#">Buy now</a>
31	<a href="#">9578008300</a> Nut, nylon (6J8) 1J 1J 1	<a href="#">Buy now</a>
32	<a href="#">6J84414200</a> Joint URIBE	<a href="#">Buy now</a>
34	<a href="#">6824272600</a> Grommet 3	<a href="#">Buy now</a>

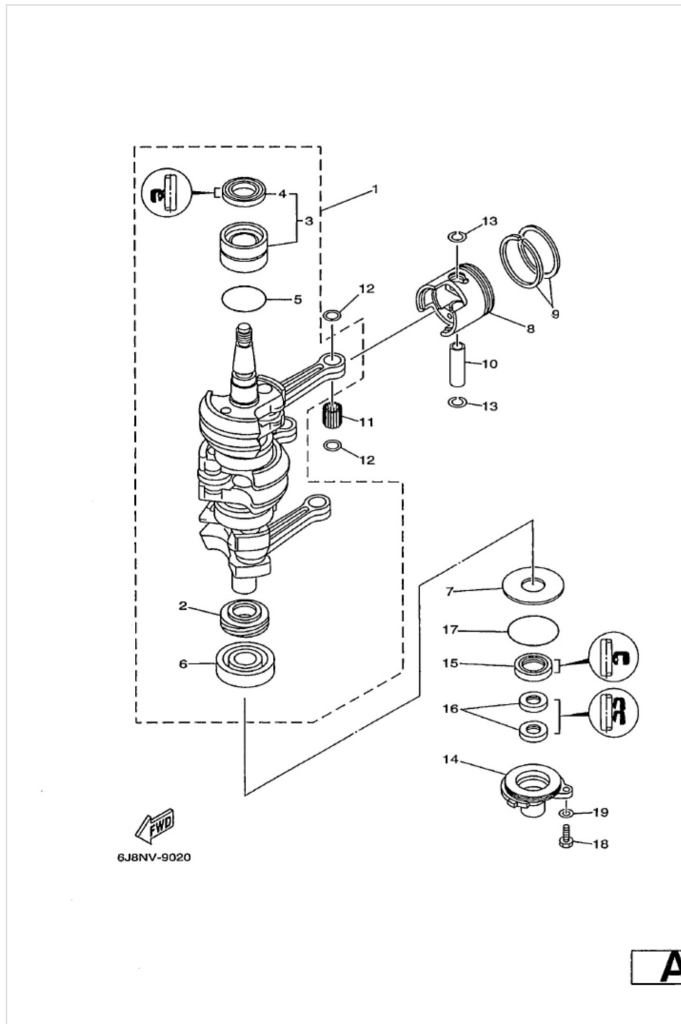
# Control



  
6J8JA-4120

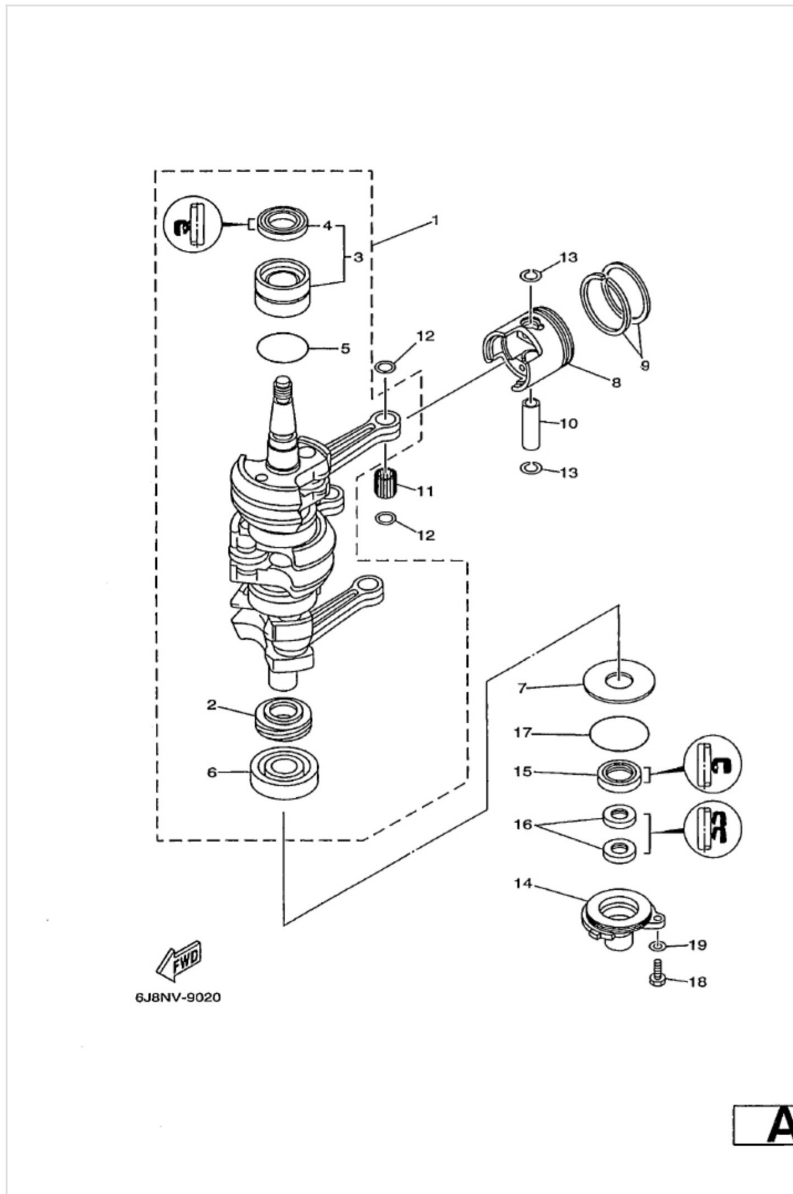
Ref	Part	
35	<a href="#">9020212M17</a> Washer, plate (6e0)	<a href="#">Buy now</a>

# Crankshaft. Piston



Ref	Part	
1	<a href="#">6081140011</a> Grankshaft assembly IEE	<a href="#">Buy now</a>
2	<a href="#">681153600</a> Gear, Drive IRIE!	<a href="#">Buy now</a>
3	<a href="#">93311632U7</a> Bearing, cylindrical(6j8) [IRIE	<a href="#">Buy now</a>
4	<a href="#">9310226M27</a> Oil seal(6j8)	<a href="#">Buy now</a>
4	<a href="#">9321042159</a> O-ring (647)	<a href="#">Buy now</a>
4	<a href="#">9330630503</a> Bearing (3y1)	<a href="#">Buy now</a>
7	<a href="#">6j81160111</a> Piston ring set (1st o/s) 3  af a 3  [ap	<a href="#">Buy now</a>
7	<a href="#">6j81160121</a> Piston ring set (2nd o/s) 3  af al a  [ap	<a href="#">Buy now</a>
7	<a href="#">6j81163502</a> Piston (0.25mm o/s) 3  af a a  [ap	<a href="#">Buy now</a>
7	<a href="#">6j81163602</a> Piston (0.50mm o/s) 3  af a 3  [ap	<a href="#">Buy now</a>
7	<a href="#">9020150306</a> Washer plate 648115870000 [IRIEIE	<a href="#">Buy now</a>
10	<a href="#">6j81163300</a> Pin, piston al af a  a	<a href="#">Buy now</a>
11	<a href="#">sas02toMi0</a> Pin Dowel 84 8484 (84	<a href="#">Buy now</a>
12	<a href="#">90201-16379</a> Washer plate 6/76  6  ®	<a href="#">Buy now</a>
15	<a href="#">9310125M28</a> Oil seal(6j8) [RIRIR	<a href="#">Buy now</a>

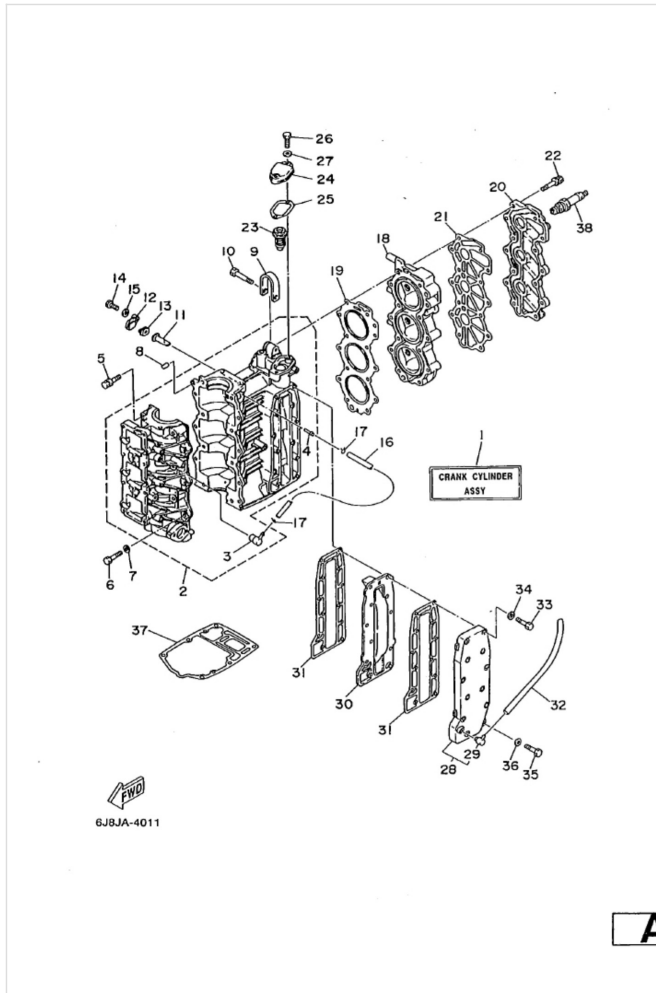
# Crankshaft. Piston



Ref	Part	
16	<a href="#">9310416M04</a> Oil seal(6a8) 2  2  2	<a href="#">Buy now</a>
18	<a href="#">9345017129</a> Circlip(1ar) sl of 66	<a href="#">Buy now</a>
18	<a href="#">9701306016</a> Bolt, hexagon deep recess 2  2  2  2	<a href="#">Buy now</a>
19	<a href="#">9200306600</a> Washer, Plate 2  2  2  2	<a href="#">Buy now</a>

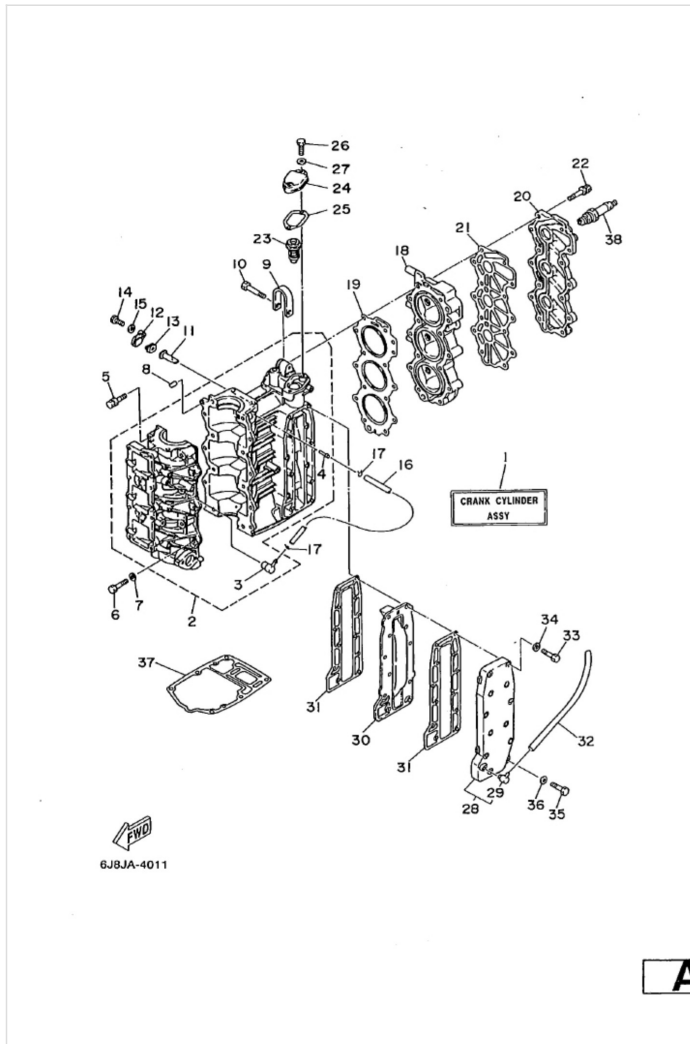


# Cylinder. Crankcase



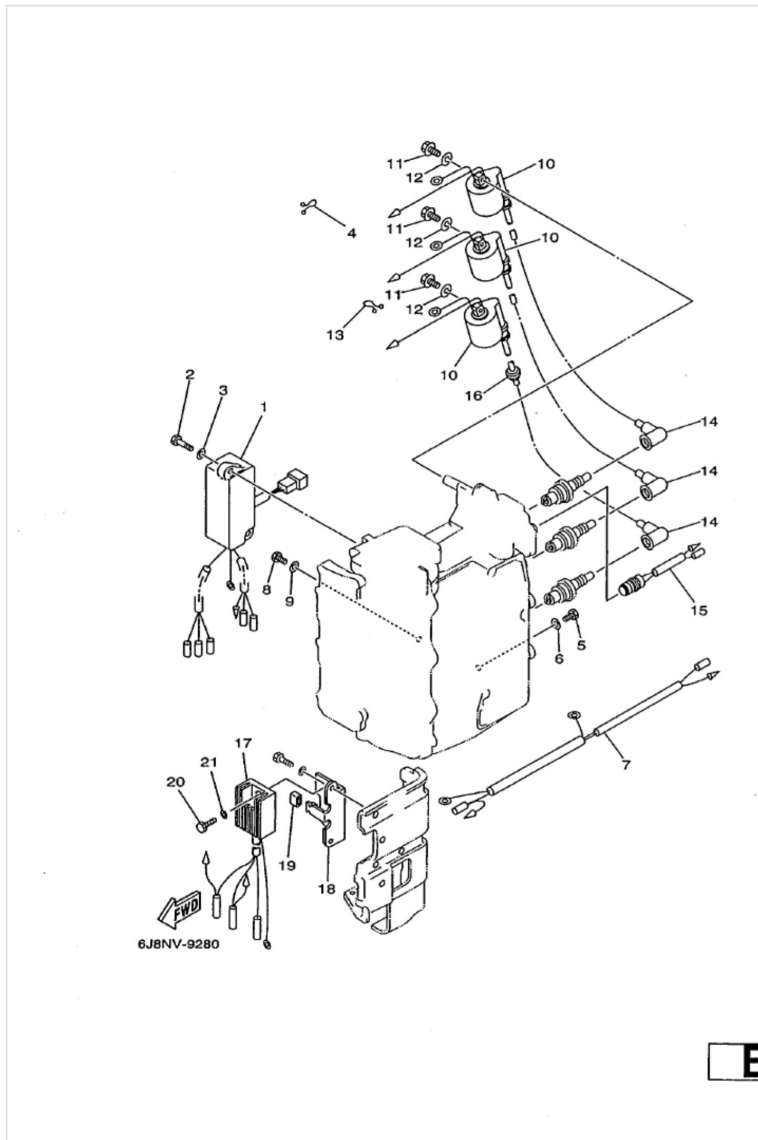
Ref	Part	
1	<a href="#">6J8W0090424D</a> Crank cylinder assembly LIE IRAE	<a href="#">Buy now</a>
2	<a href="#">6J8151001194</a> Crankcase assembly 1p	<a href="#">Buy now</a>
3	<a href="#">6501137000</a> Check valve assembly HEIRIE	<a href="#">Buy now</a>
4	<a href="#">6241448500</a> Pipe, joint LIRIRIn	<a href="#">Buy now</a>
6	<a href="#">9701306030</a> Bolt 6J 6J 6) 6	<a href="#">Buy now</a>
7	<a href="#">9290306600</a> Washer, plain (646) 6J 6f 6J 6	<a href="#">Buy now</a>
8	<a href="#">9360612019</a> Pin, dowel (614) 2J 2 2 2	<a href="#">Buy now</a>
9	<a href="#">6F51111900</a> Hanger, engine URINE	<a href="#">Buy now</a>
10	<a href="#">9701308035</a> Bolt	<a href="#">Buy now</a>
11	<a href="#">6J81132500</a> Anode 2J 2J 2J 2	<a href="#">Buy now</a>
13	<a href="#">6H31132800</a> Grommet, anode 2f 2J 2J 2	<a href="#">Buy now</a>
14	<a href="#">9701306016</a> Bolt, hexagon deep recess 2J 2J 2J 2	<a href="#">Buy now</a>
16	<a href="#">9044507M29</a> Hose (I200) URIRIS	<a href="#">Buy now</a>
17	<a href="#">9046706016</a> Clip (655) 2J 2J 2J 2	<a href="#">Buy now</a>
18	<a href="#">6J8111110094</a> Head, cylinder 1 LRIRIE	<a href="#">Buy now</a>

# Cylinder. Crankcase



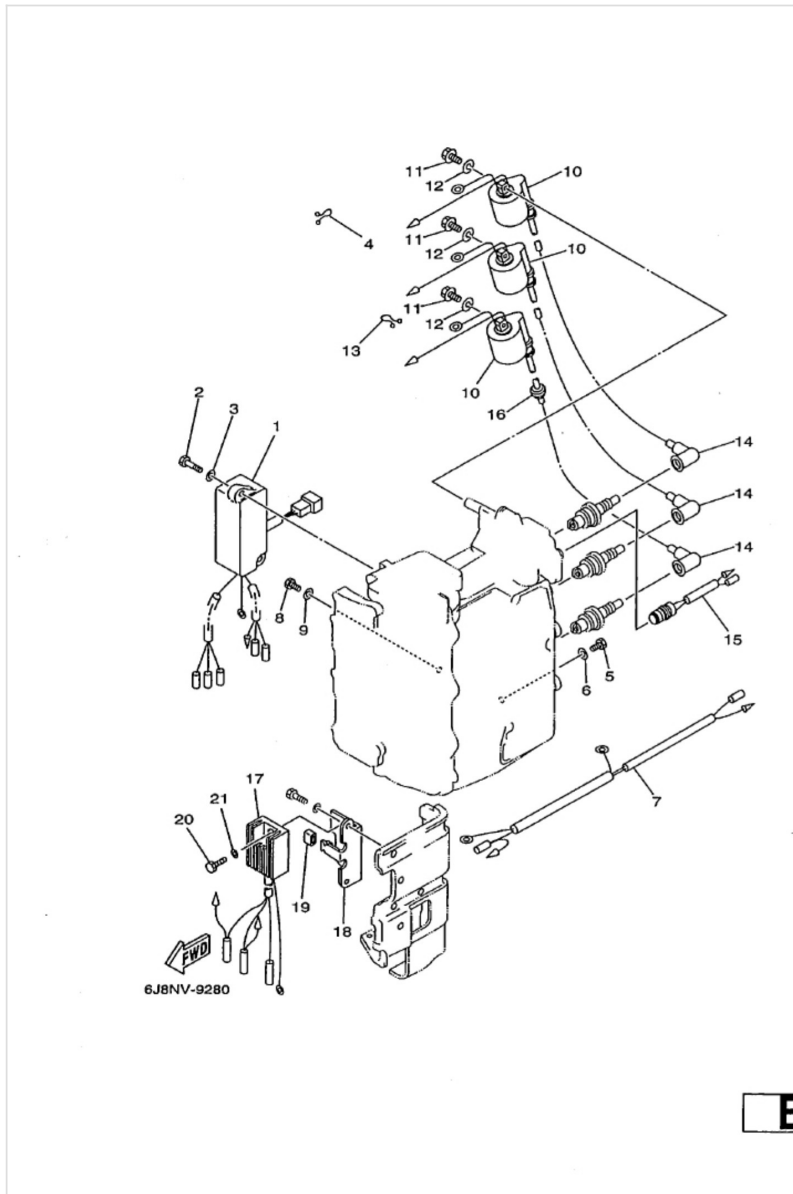
Ref	Part	
19	<a href="#">6J811181A1</a> Gasket, cylinder head 1 HRIRIR	<a href="#">Buy now</a>
20	<a href="#">6J</a> Sm RIE	<a href="#">Buy now</a>
21	<a href="#">64811193A1</a> Gasket, Head Cover 1 HRIRIE	<a href="#">Buy now</a>
22	<a href="#">9011908M21</a> Bolt, with washer(63v) 14[14]14[14]	<a href="#">Buy now</a>
23	<a href="#">6881241110</a> Thermostat 1] 1] 1] 1]	<a href="#">Buy now</a>
23	<a href="#">6J8JA4011</a> -	<a href="#">Buy now</a>
25	<a href="#">BJ</a> Gasket, Cover	<a href="#">Buy now</a>
26	<a href="#">9701306025</a> Bolt(62y) 2f 2  2f 2	<a href="#">Buy now</a>
28	<a href="#">6J841113009M</a> Outer cover, exhaust	<a href="#">Buy now</a>
29	<a href="#">6761137200</a> Nipple, hose p11	<a href="#">Buy now</a>
30	<a href="#">6J841111009M</a> Inner cover, exhaust pp	<a href="#">Buy now</a>
31	<a href="#">111J00</a> -	<a href="#">Buy now</a>
31	<a href="#">6J841114A0</a> Gasket, exhaust outer cover 2  2  22	<a href="#">Buy now</a>
33	<a href="#">9701306035</a> Bolt(3rv) RLERRARIERI]	<a href="#">Buy now</a>
38	<a href="#">9470200271</a> Plug, spark (br7hs-10) af 3] af a	<a href="#">Buy now</a>

# Electrical 1



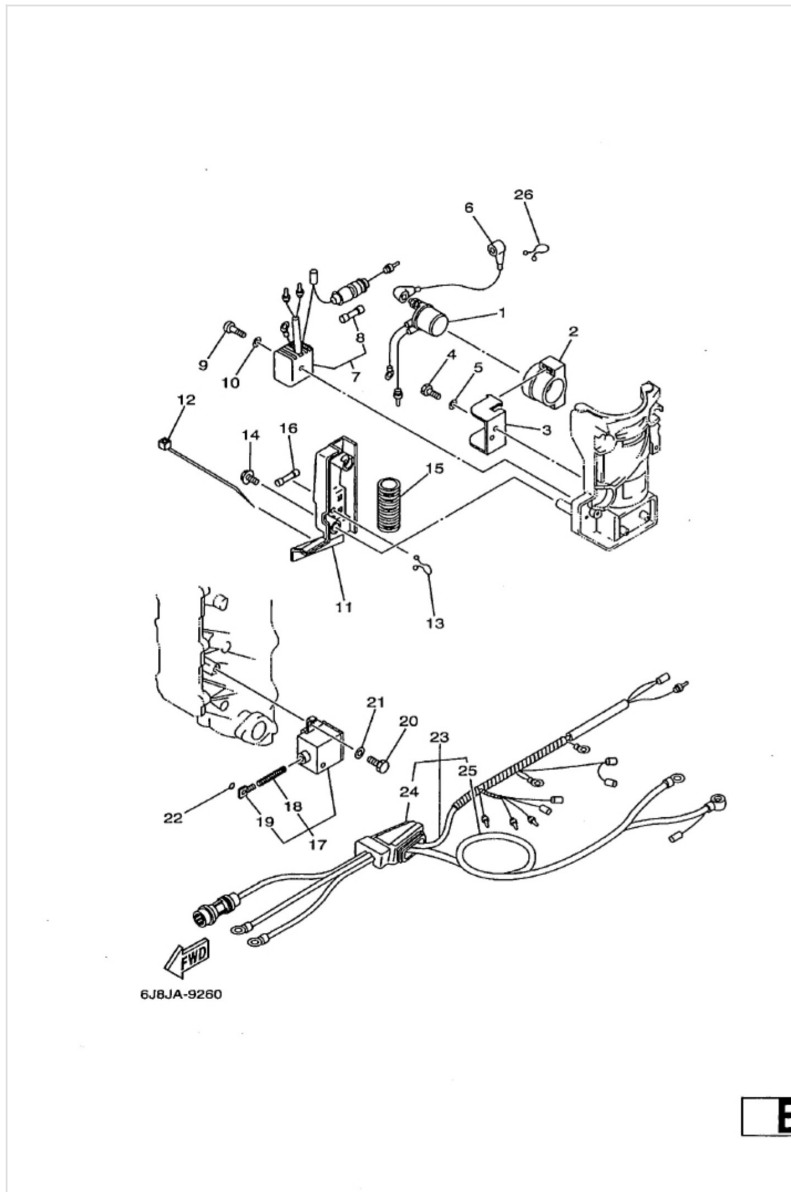
Ref	Part	
1	<a href="#">6J885540H2</a> C.d.i. unit assembly	<a href="#">Buy now</a>
2	<a href="#">9709506025</a> Bolt 2) 2 2 2	<a href="#">Buy now</a>
3	<a href="#">9299506600</a> Washer, plain (646) 2( 2  2  2	<a href="#">Buy now</a>
4	<a href="#">9046415M11</a> Clamp (3y2)	<a href="#">Buy now</a>
8	<a href="#">9709506012</a> Bolt(gh1) [RIRIR!]	<a href="#">Buy now</a>
7	<a href="#">6J88253100</a> Wire, lead	<a href="#">Buy now</a>
10	<a href="#">6J88557021</a> Ignition coil assembly 3  3  3  3	<a href="#">Buy now</a>
11	<a href="#">9709506020</a> Bolt(7u8)	<a href="#">Buy now</a>
12	<a href="#">9299506100</a> Washer(6a1) 6  6  6( 8	<a href="#">Buy now</a>
13	<a href="#">9046405M16</a> Clamp(6j8)	<a href="#">Buy now</a>
14	<a href="#">6G18237020</a> Plug cap assembly	<a href="#">Buy now</a>
15	<a href="#">6898256000</a> Thermo switch assembly	<a href="#">Buy now</a>
16	<a href="#">9048025161</a> Grommet(656) HIRI}	<a href="#">Buy now</a>
17	<a href="#">6488196000</a> Rectifier & Regulator assembly	<a href="#">Buy now</a>
18	<a href="#">6J88197500</a> Plate, rectifier fitting	<a href="#">Buy now</a>

# Electrical 1



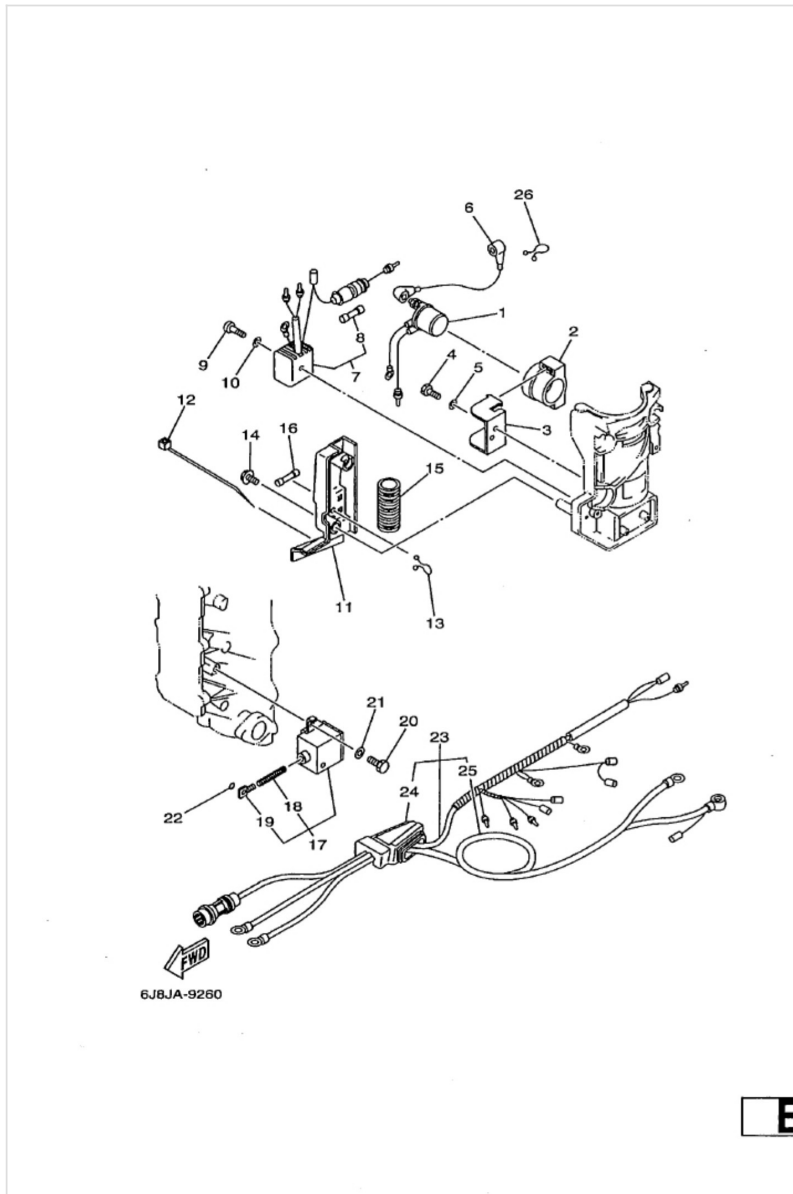
Ref	Part	
19	<a href="#">6894419400</a> Cap 1] 1	<a href="#">Buy now</a>
21	<a href="#">9398506800</a> Washer REN 0	<a href="#">Buy now</a>

## Electrical 2



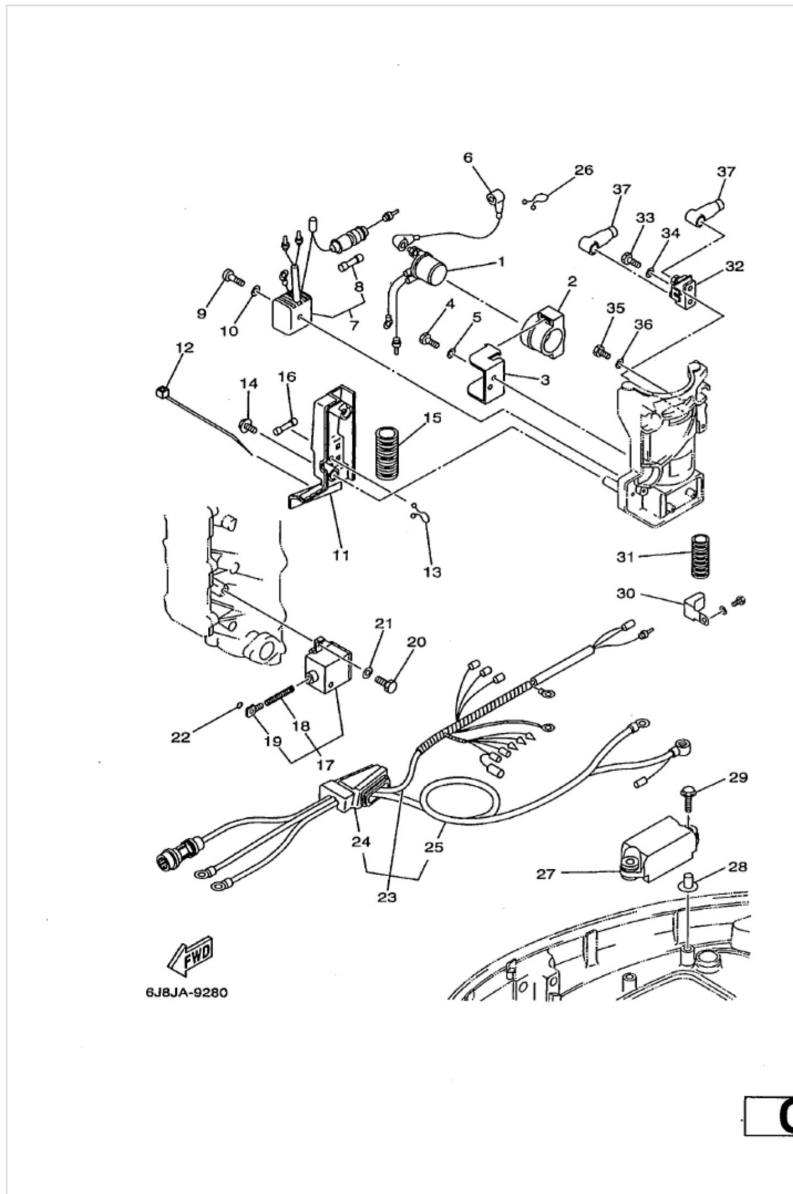
Ref	Part	
1	<a href="#">6G18194110</a> Starter relay	<a href="#">Buy now</a>
3	<a href="#">688194500</a> Plate, Switch Fitting	<a href="#">Buy now</a>
4	<a href="#">9701306016</a> Bolt, hexagon deep recess	<a href="#">Buy now</a>
5	<a href="#">9290306600</a> Washer, plain (646)	<a href="#">Buy now</a>
6	<a href="#">6F58211700</a> Wire, lead	<a href="#">Buy now</a>
7	<a href="#">6G18197061</a> Rectifier assembly	<a href="#">Buy now</a>
8	<a href="#">6G18215100</a> Fuse (10a)	<a href="#">Buy now</a>
9	<a href="#">9788005025</a> Screw, panhead (a93)	<a href="#">Buy now</a>
10	<a href="#">9299005600</a> Washer, plain (646)	<a href="#">Buy now</a>
11	<a href="#">6J86191610</a> Cover, Terminal	<a href="#">Buy now</a>
12	<a href="#">9046513M18</a> Clamp	<a href="#">Buy now</a>
13	<a href="#">9046518147</a> Clamp	<a href="#">Buy now</a>
14	<a href="#">9015905M26</a> Screw, with washer(6g7)	<a href="#">Buy now</a>
15	<a href="#">6E98355770</a> Tube	<a href="#">Buy now</a>
17	<a href="#">6J88611000</a> Solenoid	<a href="#">Buy now</a>

## Electrical 2



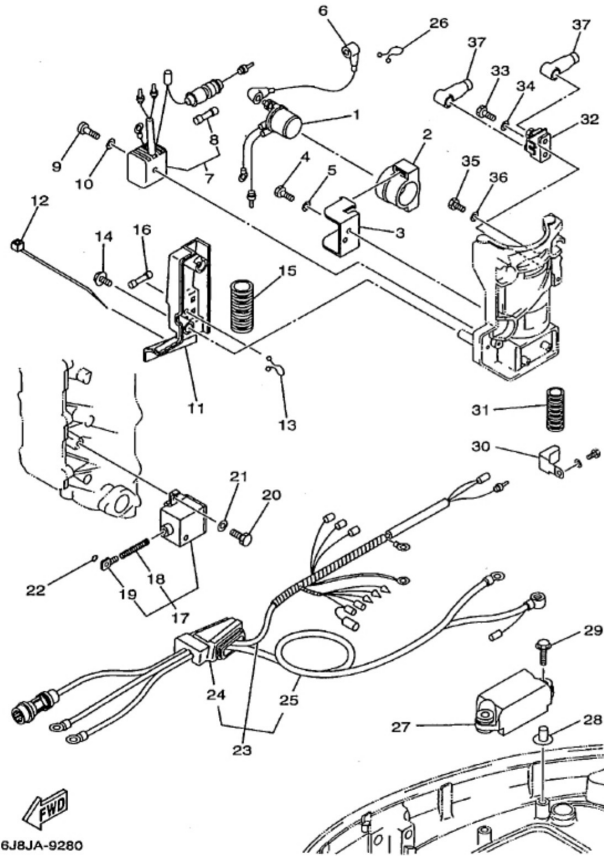
Ref	Part	
18	<a href="#">6J88611600</a> Wire, pull	<a href="#">Buy now</a>
19	<a href="#">6828611700</a> Hook, wire pull	<a href="#">Buy now</a>
22	<a href="#">9321003261</a> O-ring (663)	<a href="#">Buy now</a>
23	<a href="#">6J88256000</a> Wire Harness assembly 2	<a href="#">Buy now</a>
24	<a href="#">684272450</a> "Grommet"	<a href="#">Buy now</a>
24	<a href="#">6J8JA9260</a> 25 689-82105-13 WIRE HARNESS	<a href="#">Buy now</a>

# Electrical 3



Ref	Part	
1	<a href="#">6G18194110</a> Starter relay	<a href="#">Buy now</a>
2	<a href="#">6G18195200</a> Holder, relay	<a href="#">Buy now</a>
3	<a href="#">6JB8194500</a> Plate, Switch Fitting	<a href="#">Buy now</a>
4	<a href="#">9701306016</a> Bolt, hexagon deep recess	<a href="#">Buy now</a>
5	<a href="#">9290306600</a> Washer, plain (646)	<a href="#">Buy now</a>
7	<a href="#">6G18197061</a> Rectifier assembly	<a href="#">Buy now</a>
8	<a href="#">6G18215100</a> Fuse (10a)	<a href="#">Buy now</a>
9	<a href="#">9788005025</a> Screw, panhead (a93)	<a href="#">Buy now</a>
10	<a href="#">9299005600</a> Washer, plain (646)	<a href="#">Buy now</a>
12	<a href="#">9046513M18</a> Clamp	<a href="#">Buy now</a>
13	<a href="#">9046518147</a> Clamp	<a href="#">Buy now</a>
14	<a href="#">9015905M26</a> Screw, with washer(6g7)	<a href="#">Buy now</a>
15	<a href="#">6E98355770</a> Tube	<a href="#">Buy now</a>
17	<a href="#">6J88511000</a> Solenoid	<a href="#">Buy now</a>
18	<a href="#">6J88611600</a> Wire, pull	<a href="#">Buy now</a>

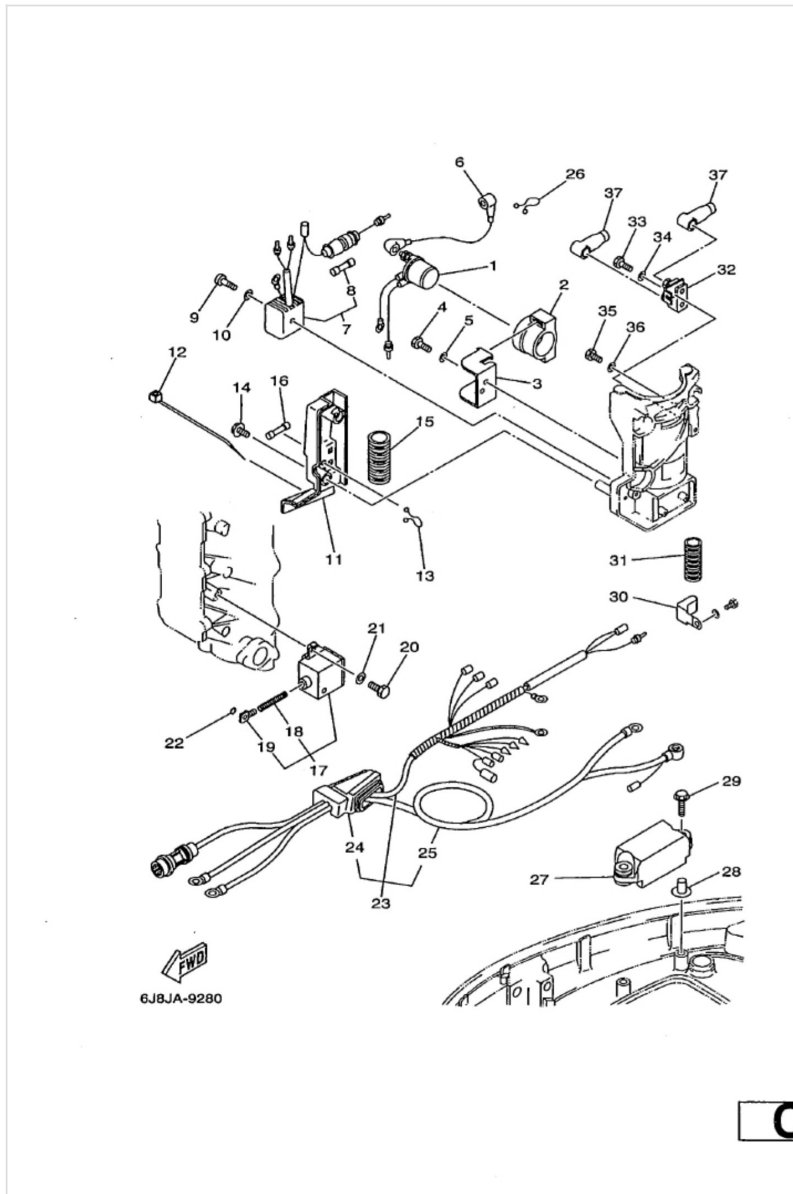
# Electrical 3



Ref	Part	
19	<a href="#">6828511700</a> Hook, Wire Pull	<a href="#">Buy now</a>
20	<a href="#">92903-06800</a> WASHER, PLATE	<a href="#">Buy now</a>
22	<a href="#">9321003261</a> O-ring (663)	<a href="#">Buy now</a>
23	<a href="#">6J88256010</a> Wire Harness assembly 2	<a href="#">Buy now</a>
24	<a href="#">689280</a> -	<a href="#">Buy now</a>
24	<a href="#">6J84272460</a> Grommet	<a href="#">Buy now</a>
27	<a href="#">6J88195000</a> Relay assembly	<a href="#">Buy now</a>
2151	<a href="#">E</a> F15Ce,F20Be	<a href="#">Buy now</a>

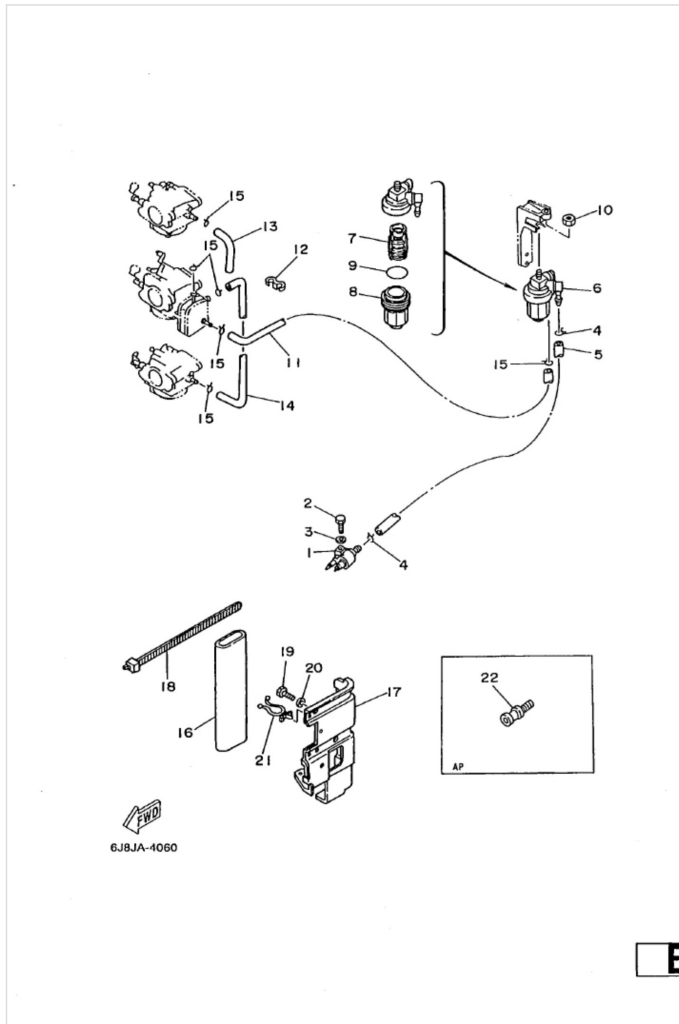


# Electrical3



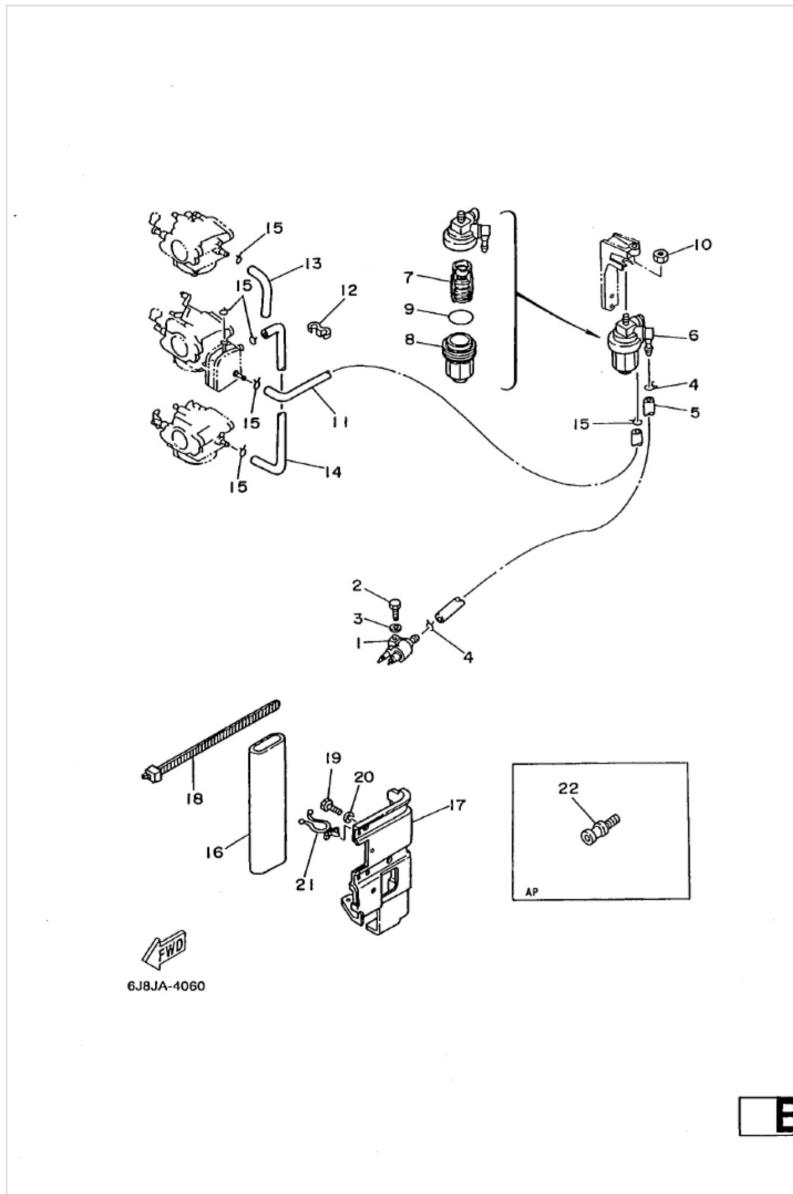
Ref	Part	
1	<a href="#">®</a> item_description	<a href="#">Buy now</a>
26	<a href="#">37</a> -	<a href="#">Buy now</a>
30	<a href="#">9046508M12</a> Clamp (6e5)	<a href="#">Buy now</a>
32	<a href="#">6H58192000</a> Terminal assembly	<a href="#">Buy now</a>
33	<a href="#">97095060140</a> Bolt(gj3)	<a href="#">Buy now</a>
34	<a href="#">9299506600</a> Washer, plain (646)	<a href="#">Buy now</a>
35	<a href="#">9709506012</a> Bolt(gh1)	<a href="#">Buy now</a>

# Fuel



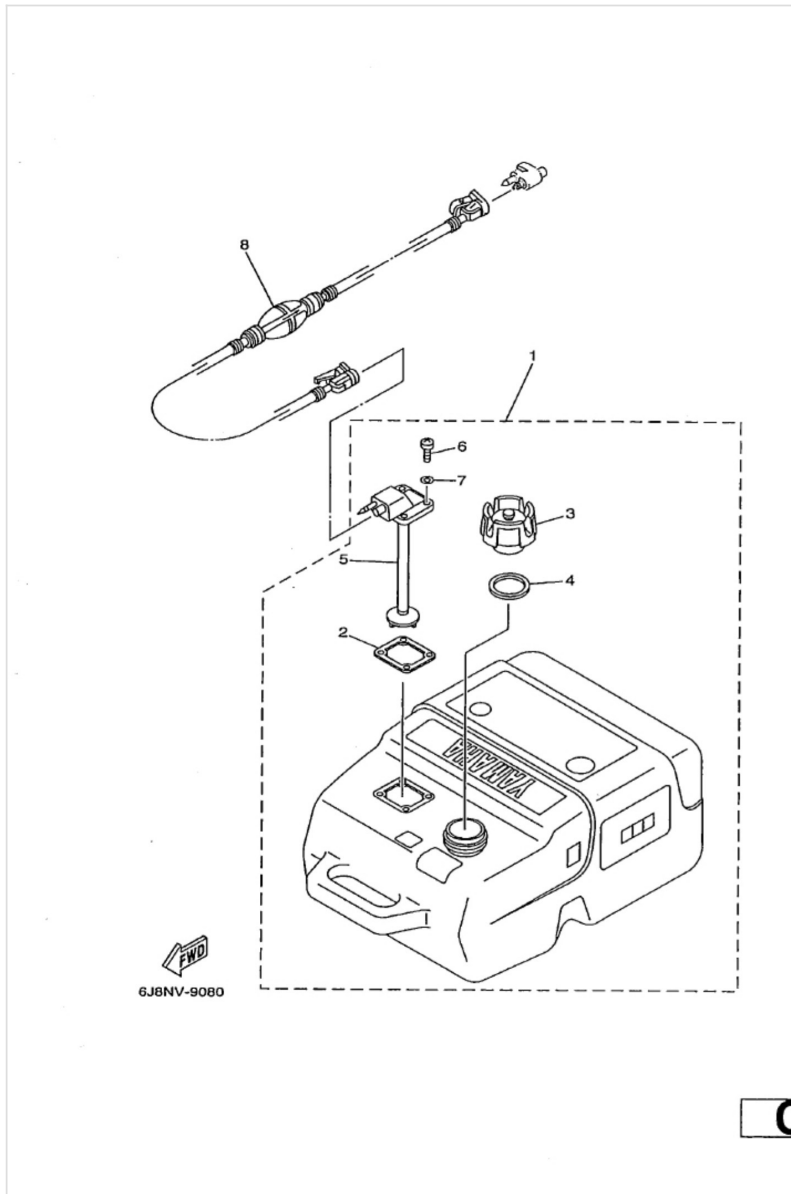
Ref	Part	
1	<a href="#">6G12430402</a> Fuel pipe joint comp. 1	<a href="#">Buy now</a>
2	<a href="#">9709506025</a> Bolt LIE	<a href="#">Buy now</a>
3	<a href="#">9299506600</a> Washer, plain (646)	<a href="#">Buy now</a>
4	<a href="#">9046708004</a> Clip, pipe 6162435600 2  2  22	<a href="#">Buy now</a>
5	<a href="#">9044509M00</a> Hose (I180) RIB	<a href="#">Buy now</a>
7	<a href="#">61N2456300</a> Element, filter 11  11	<a href="#">Buy now</a>
8	<a href="#">61N2452100</a> Cup, filter RIE	<a href="#">Buy now</a>
9	<a href="#">9321032738</a> O-ring(1wg) ff	<a href="#">Buy now</a>
10	<a href="#">9017908M15</a> Nut(6j8) LIRR	<a href="#">Buy now</a>
12	<a href="#">9046409M21</a> Clamp(6j8) LIRR	<a href="#">Buy now</a>
13	<a href="#">6882431300</a> Pipe, fuel 2 IIRIEIE!	<a href="#">Buy now</a>
14	<a href="#">6J82431100</a> Pipe, fuel 2 IRIE	<a href="#">Buy now</a>
15	<a href="#">8046708004</a> Clip 6  6  6  6	<a href="#">Buy now</a>
16	<a href="#">656W281002</a> Tool kit HU RIRIE	<a href="#">Buy now</a>
17	<a href="#">6J82817000</a> Tool, holder	<a href="#">Buy now</a>

# Fuel



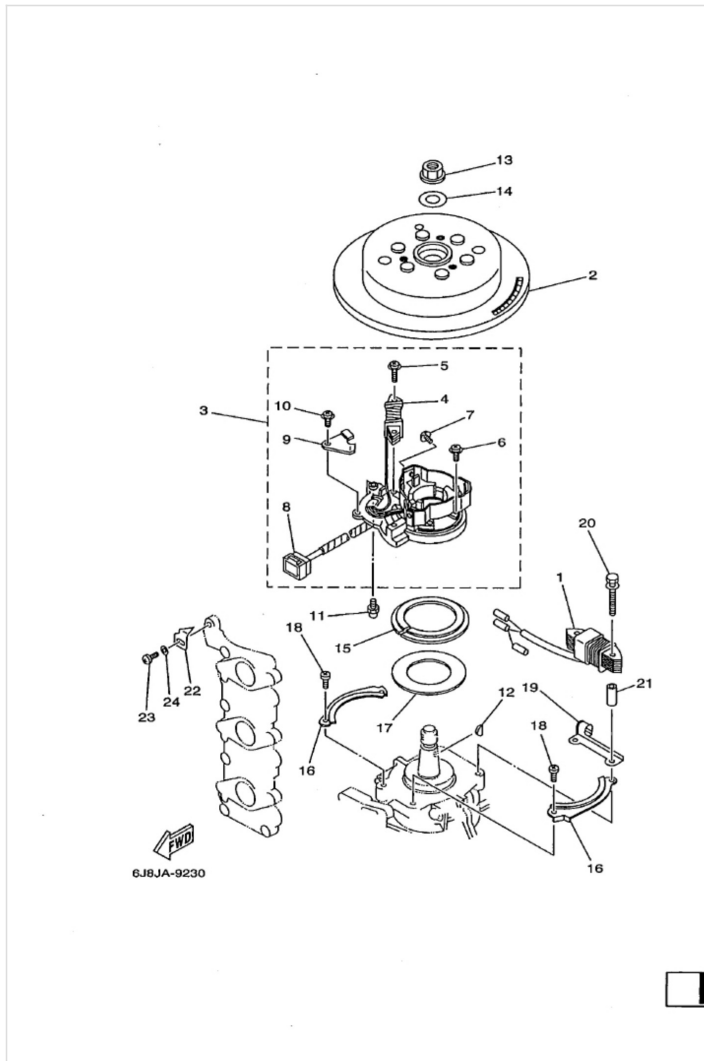
Ref	Part	
18	<a href="#">6G12811G00</a> Band	<a href="#">Buy now</a>
20	<a href="#">9299508600</a> Washer, plain (663) 2( 2)	<a href="#">Buy now</a>
22	<a href="#">6L2-13475-00</a> Gasket, breather bolt BOLT	<a href="#">Buy now</a>

# Fuel Tank



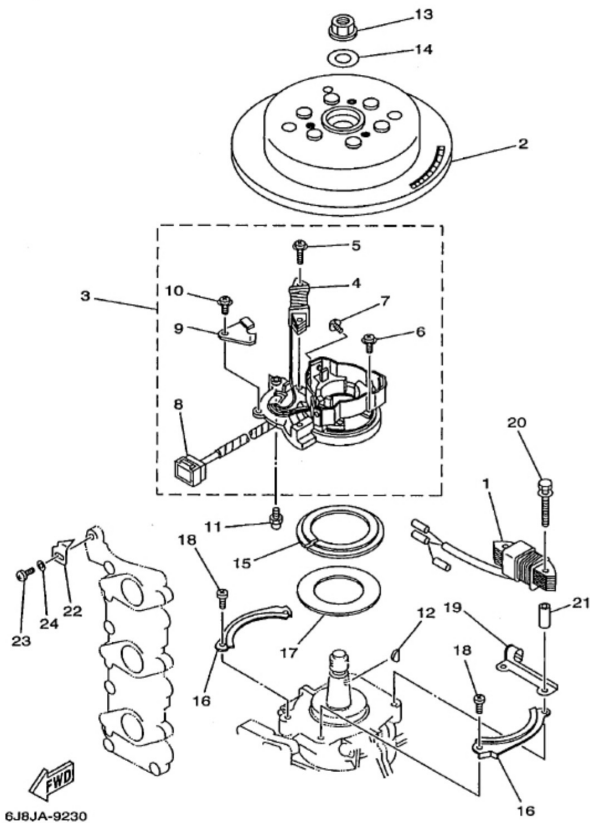
Ref	Part	
1	<a href="#">6YK2420101</a> Fuel Tank assembly (25L)	<a href="#">Buy now</a>
2	<a href="#">6YL2426801</a> Gasket, fuel meter LIRR	<a href="#">Buy now</a>
3	<a href="#">6YK2461000</a> Cap assembly	<a href="#">Buy now</a>
4	<a href="#">6YL2464100</a> Gasket, cap 1 LIRIRIE]	<a href="#">Buy now</a>
5	<a href="#">6YK2426001</a> Fuel meter assembly URIBE	<a href="#">Buy now</a>
6	<a href="#">9015705M16</a> Screw, pan head 4  4f 4f 4	<a href="#">Buy now</a>
7	<a href="#">6YL2432900</a> Seal 4( 4  4] 4	<a href="#">Buy now</a>
8	<a href="#">6YL2430650</a> Fuel pipe comp. 1 Hot	<a href="#">Buy now</a>

# Generator



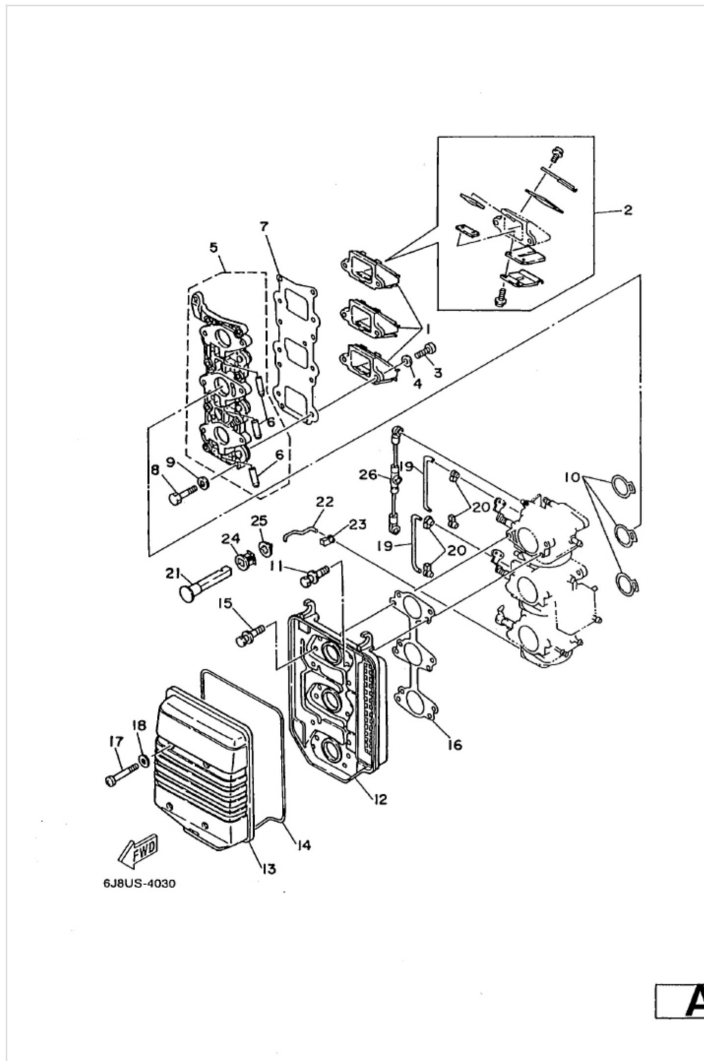
Ref	Part	
1	<a href="#">6H485533A1</a> Coil, lighting	<a href="#">Buy now</a>
2	<a href="#">6J885550A1</a> Rotor assembly UR	<a href="#">Buy now</a>
2	<a href="#">6J885550F1</a> Rotor assembly UR	<a href="#">Buy now</a>
3	<a href="#">6H485510F1</a> Stator assembly UR	<a href="#">Buy now</a>
3	<a href="#">6J885510A1</a> Stator assembly UR	<a href="#">Buy now</a>
4	<a href="#">6H48552001</a> Coil, charge UR	<a href="#">Buy now</a>
4	<a href="#">6J88552001</a> Coil, charge UR	<a href="#">Buy now</a>
5	<a href="#">9790206120</a> Screw, with washer 2  222	<a href="#">Buy now</a>
6	<a href="#">9790204112</a> Screw, with washer 6  6  6 6	<a href="#">Buy now</a>
7	<a href="#">9790204106</a> Screw, with washer	<a href="#">Buy now</a>
8	<a href="#">9E47109205</a> Housing,m-9-b 5pcs(61a)	<a href="#">Buy now</a>
9	<a href="#">BH48554800</a> Holder	<a href="#">Buy now</a>
10	<a href="#">9790205408</a> Screw, with washer  IEIRIE	<a href="#">Buy now</a>
11	<a href="#">8638551800</a> Joint, Ball	<a href="#">Buy now</a>
12	<a href="#">9028005013</a> Key, woodruff 1p	<a href="#">Buy now</a>

# Generator



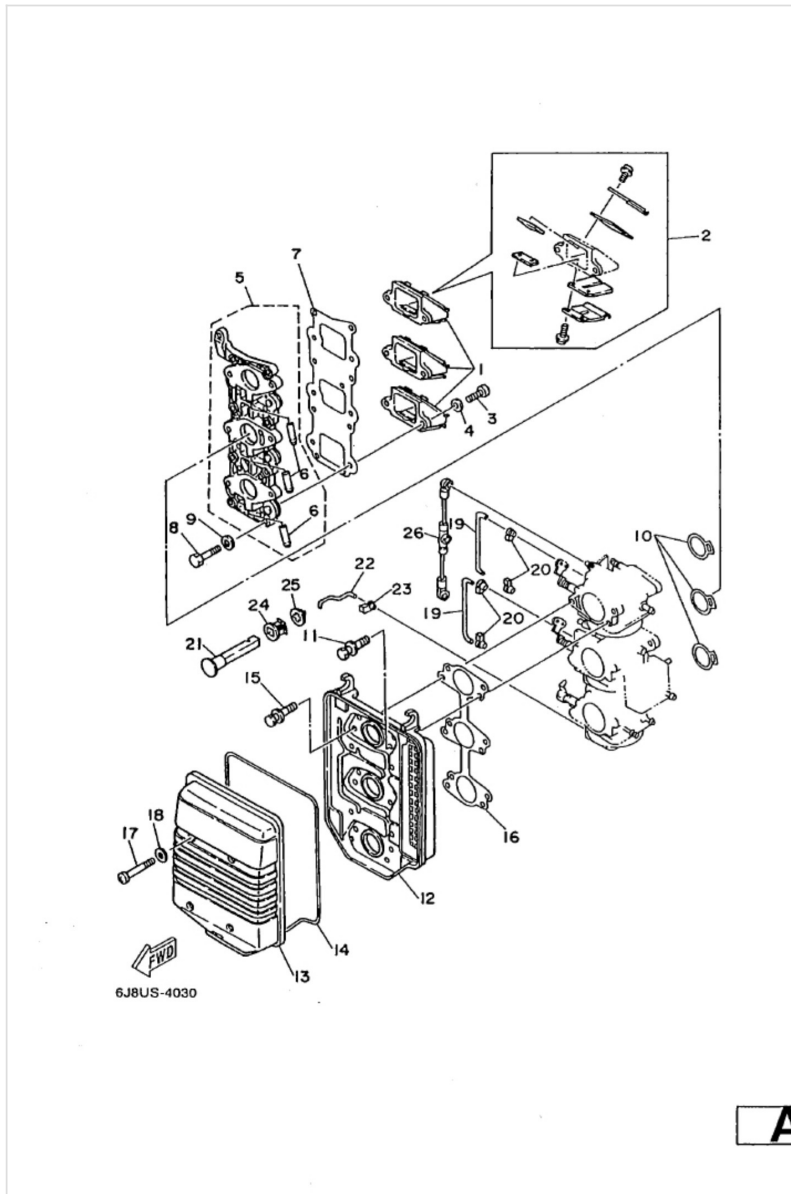
Ref	Part	
14	<a href="#">9020116Md4</a> Washer, Plate LRIRIR!	<a href="#">Buy now</a>
15	<a href="#">6H44161110</a> Retainer, magneto base IRIRIR!	<a href="#">Buy now</a>
16	<a href="#">6J84161500</a> Stopper, magneto base 2  2  2  2	<a href="#">Buy now</a>
17	<a href="#">0788006012</a> 2	<a href="#">Buy now</a>
17	<a href="#">6J84161800</a> Washer, magneto 11  1  1	<a href="#">Buy now</a>
17	<a href="#">6J88554800</a> Holder	<a href="#">Buy now</a>
20	<a href="#">9010108M00</a> Bolt, with washer(697)	<a href="#">Buy now</a>
21	<a href="#">68-81332-00</a> PLATE, TIMING	<a href="#">Buy now</a>
21	<a href="#">9038706M81</a> Collar	<a href="#">Buy now</a>
24	<a href="#">9299505600</a> Washer, plain (646) 11  11	<a href="#">Buy now</a>

# Intake



Ref	Part	
1	<a href="#">6J81361000</a> Reed Valve assembly BEER	<a href="#">Buy now</a>
2	<a href="#">6J8W000400</a> Reed set app	<a href="#">Buy now</a>
3	<a href="#">9788005016</a> Screw, pan head(6b0) 6  6 6	<a href="#">Buy now</a>
4	<a href="#">9299005600</a> Washer, plain (646) 6  6  6  6	<a href="#">Buy now</a>
5	<a href="#">6J8136411094</a> Manifold 1 IRIE	<a href="#">Buy now</a>
6	<a href="#">6761448500</a> Pipe, joint	<a href="#">Buy now</a>
7	<a href="#">6J81362100</a> Gasket, valve seat	<a href="#">Buy now</a>
8	<a href="#">9701306025</a> Bolt(62y) 8  8  8  8	<a href="#">Buy now</a>
9	<a href="#">9290306600</a> Washer, plain (646) 8  8  8  8	<a href="#">Buy now</a>
10	<a href="#">6J81419800</a> Gasket 3) 3  33	<a href="#">Buy now</a>
11	<a href="#">9011906M32</a> Bolt, with washer(6j8) 6  6) 6	<a href="#">Buy now</a>
12	<a href="#">6J81441700</a> Cover 1	<a href="#">Buy now</a>
13	<a href="#">6J81441800</a> Cover 2	<a href="#">Buy now</a>
14	<a href="#">6J81447600</a> Seal	<a href="#">Buy now</a>
15	<a href="#">9011906M31</a> Bolt, with washer(680) 6  6 6  6	<a href="#">Buy now</a>

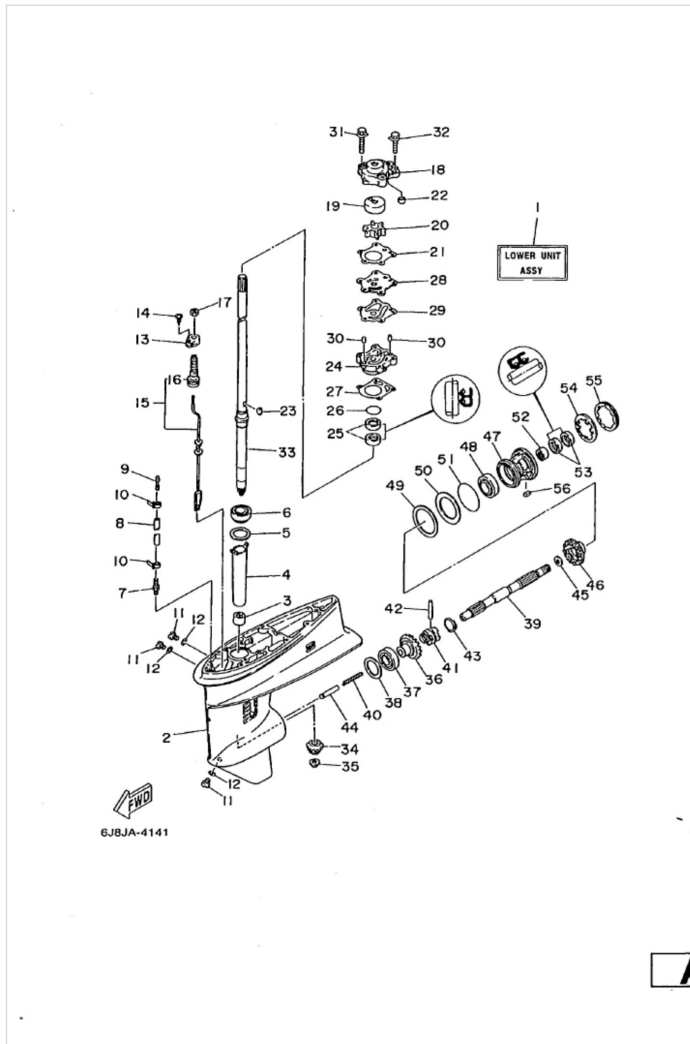
# Intake



Ref	Part	
16	<a href="#">6J814483A1</a> Gasket	<a href="#">Buy now</a>
17	<a href="#">9788005040</a> Screw,panhead (eg9) 4) 4  a	<a href="#">Buy now</a>
19	<a href="#">6J84125900</a> Rod, choke 3 2  22	<a href="#">Buy now</a>
20	<a href="#">6614126202</a> Joint, choke lever	<a href="#">Buy now</a>
22	<a href="#">6184125700</a> Rod, Choke 2	<a href="#">Buy now</a>
23	<a href="#">6J84126200</a> Joint, choke lever	<a href="#">Buy now</a>
24	<a href="#">6894127300</a> Grommet	<a href="#">Buy now</a>
24	<a href="#">6J8US4030</a> - 6J8-41274-00 GROMMET 2	<a href="#">Buy now</a>

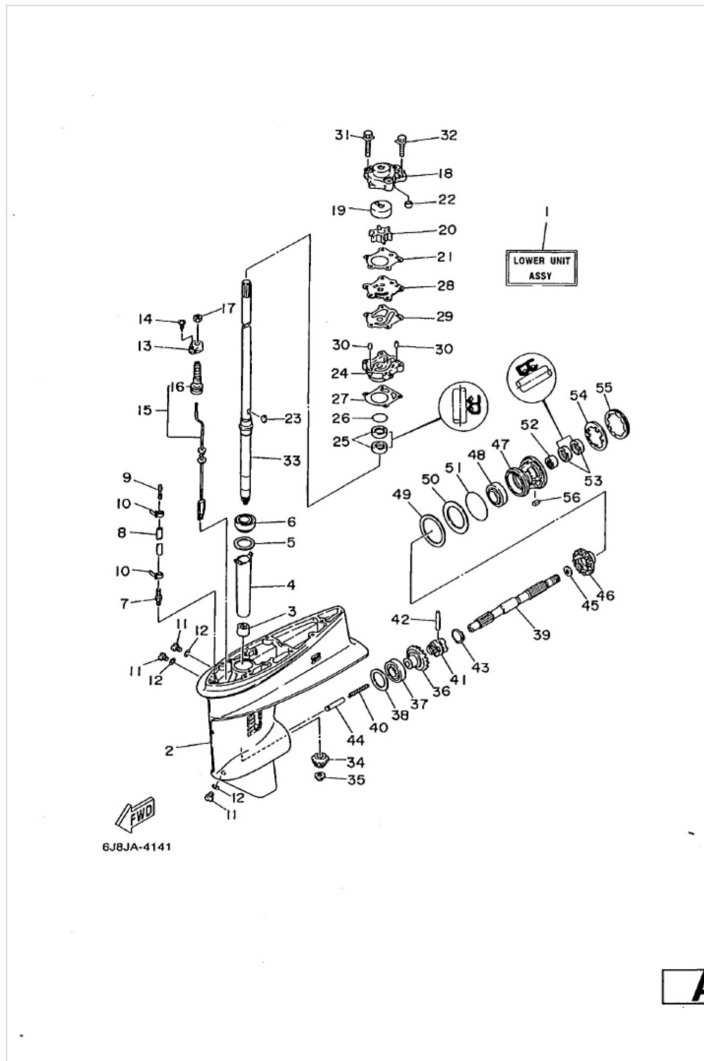


# Lower Casing. Drive 1



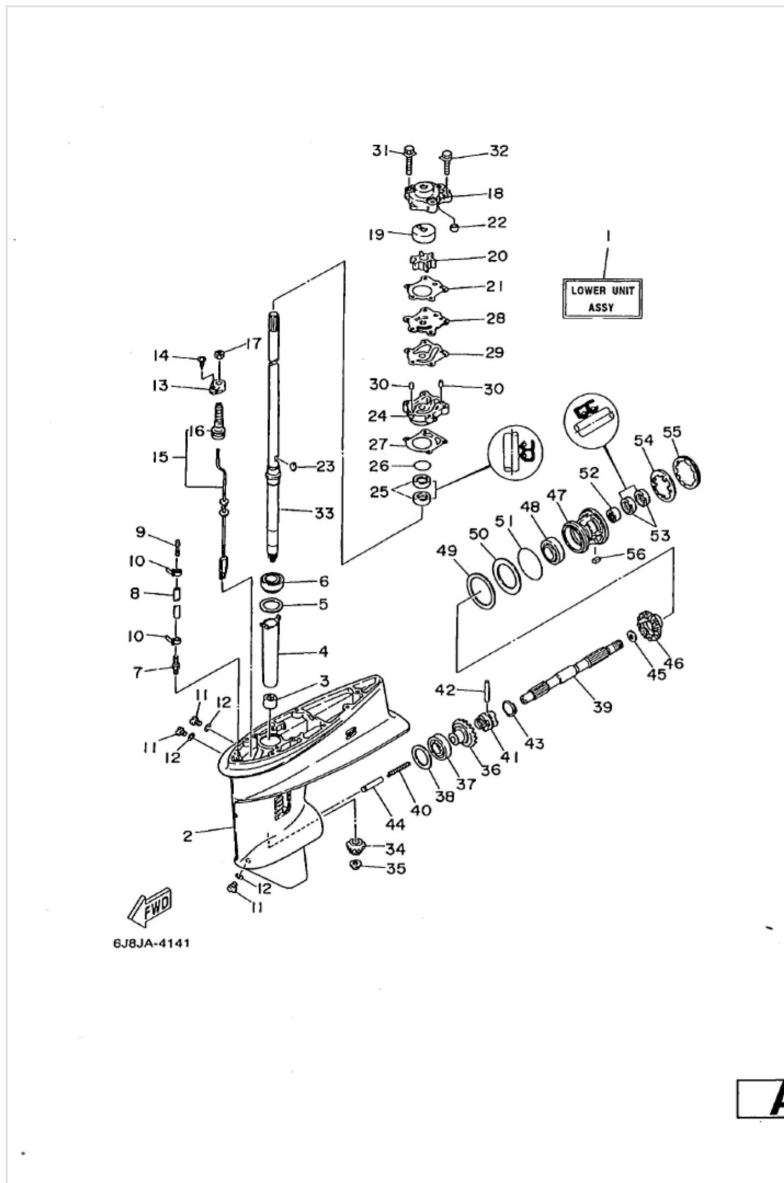
Ref	Part	
?	<a href="#">6E58355800</a> End, nipple	<a href="#">Buy now</a>
?	<a href="#">6J84553600</a> Sleeve, drive shaft	<a href="#">Buy now</a>
?	<a href="#">9044507M31</a> Hose (I200) URL	<a href="#">Buy now</a>
?	<a href="#">9044507MES</a> Hose URS	<a href="#">Buy now</a>
?	<a href="#">9331522007</a> Bearing	<a href="#">Buy now</a>
?	<a href="#">97780-50510</a> Screw, tapping(6u1) SCREW, TAPPING	<a href="#">Buy now</a>
15	<a href="#">6J84415000</a> Shift cam assembly URS	<a href="#">Buy now</a>
15	<a href="#">6J84415010</a> Shift cam assembly URL	<a href="#">Buy now</a>
16	<a href="#">6824414700</a> Boot, shift rod	<a href="#">Buy now</a>
23	<a href="#">9028003024</a> Key, woodruff(662) IRIEI]	<a href="#">Buy now</a>
25	<a href="#">9310123070</a> Oil seal (663) 2  2  2  2	<a href="#">Buy now</a>
26	<a href="#">9321041042</a> O-ring (132) IRIEIR	<a href="#">Buy now</a>
28	<a href="#">6634432300</a> Outer plate, cartridge RIKEN	<a href="#">Buy now</a>
29	<a href="#">66344324A0</a> Gasket,cartridge outer plate ARIEIE	<a href="#">Buy now</a>
30	<a href="#">9360408062</a> Pin,dowel (626) 2  2  2 2	<a href="#">Buy now</a>

# Lower Casing. Drive 1



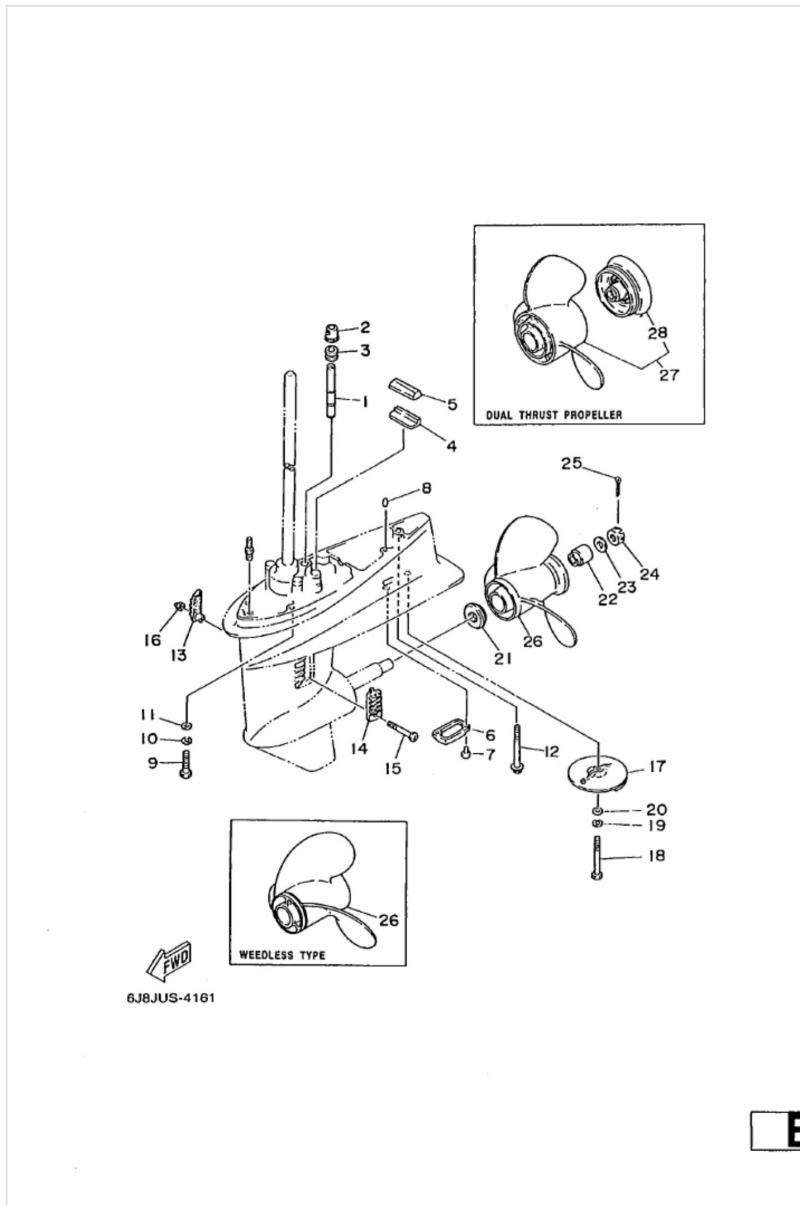
Ref	Part	
31	<a href="#">193</a> ! CUVETTE	<a href="#">Buy now</a>
31	<a href="#">9011908M13</a> Bolt, with washer(6h0) 2  2) 2 2	<a href="#">Buy now</a>
31	<a href="#">95380-06700</a> Nut	<a href="#">Buy now</a>
31	<a href="#">ap20</a> 	<a href="#">Buy now</a>
31	<a href="#">"2</a> Lower Unit	<a href="#">Buy now</a>
33	<a href="#">6J84550100</a> Drive shaft comp. LRIN URS	<a href="#">Buy now</a>
33	<a href="#">6J84550110</a> Drive shaft comp. 11  11  {uRL	<a href="#">Buy now</a>
34	<a href="#">6084555100</a> Pinion 11  1  1	<a href="#">Buy now</a>
35	<a href="#">9017910M14</a> Nut(6j8) HEIEIE	<a href="#">Buy now</a>
37	<a href="#">93332000V6</a> Bearing(6j8) UEIRIR	<a href="#">Buy now</a>
38	<a href="#">6J8-45567-01-12</a> Shim (t:0.12mm)	<a href="#">Buy now</a>
38	<a href="#">6J8455670110</a> Shim (t:0.10mm) 11  11  ur	<a href="#">Buy now</a>
38	<a href="#">6J8455670115</a> Shim, thrust (0.15t) 11  11  fun	<a href="#">Buy now</a>
38	<a href="#">6J8455670130</a> Shim, thrust (0.3t) 111   ur	<a href="#">Buy now</a>
38	<a href="#">6J8455670140</a> Shim, thrust (0.4t)	<a href="#">Buy now</a>

# Lower Casing. Drive 1



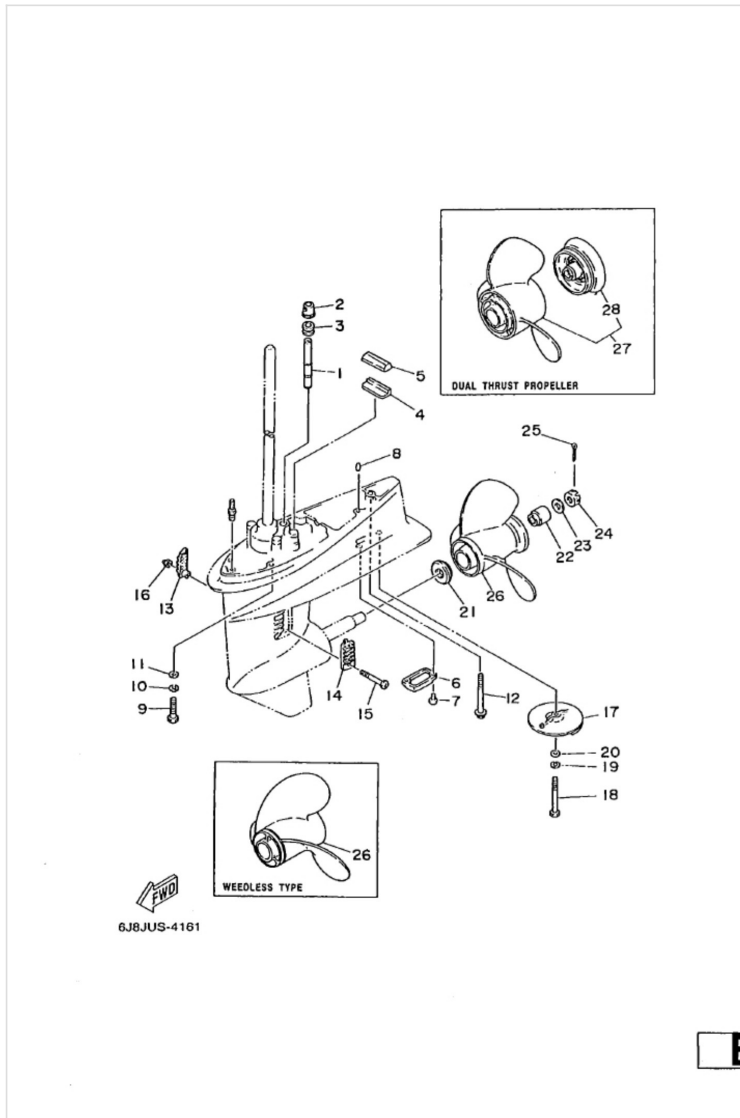
Ref	Part	
38	<a href="#">6J8455670150</a> Shim, thrust (0.5t)	<a href="#">Buy now</a>
39	<a href="#">6J84561100</a> Shaft, propeller	<a href="#">Buy now</a>
43	<a href="#">6484563300</a> Ring, cross pin	<a href="#">Buy now</a>
44	<a href="#">8J84563500</a> Plunger, Shift	<a href="#">Buy now</a>
45	<a href="#">9020120417</a> Washer, plate(663)	<a href="#">Buy now</a>
46	<a href="#">6J84557100</a> Gear	<a href="#">Buy now</a>
48	<a href="#">9330600612</a> Bearing(2hr) 11] 1] 1	<a href="#">Buy now</a>
49	<a href="#">664455770110</a> Shim (t:0.10mm) Jur	<a href="#">Buy now</a>
49	<a href="#">664455770112</a> Shim (t:0.12mm) um	<a href="#">Buy now</a>
49	<a href="#">664455770115</a> Shim (t:0.15mm)	<a href="#">Buy now</a>
50	<a href="#">6644557600</a> Washer, thrust 2	<a href="#">Buy now</a>
50	<a href="#">9331522004</a> Brg,cyl-cal roller 21g nt	<a href="#">Buy now</a>
53	<a href="#">6JBJA4141</a> 54. 90214-45M02 WASHER, CLAW	<a href="#">Buy now</a>
53	<a href="#">9310120M07</a> Oil seal	<a href="#">Buy now</a>
55	<a href="#">6644538400</a> Nut	<a href="#">Buy now</a>

## Lower Casing. Drive 2



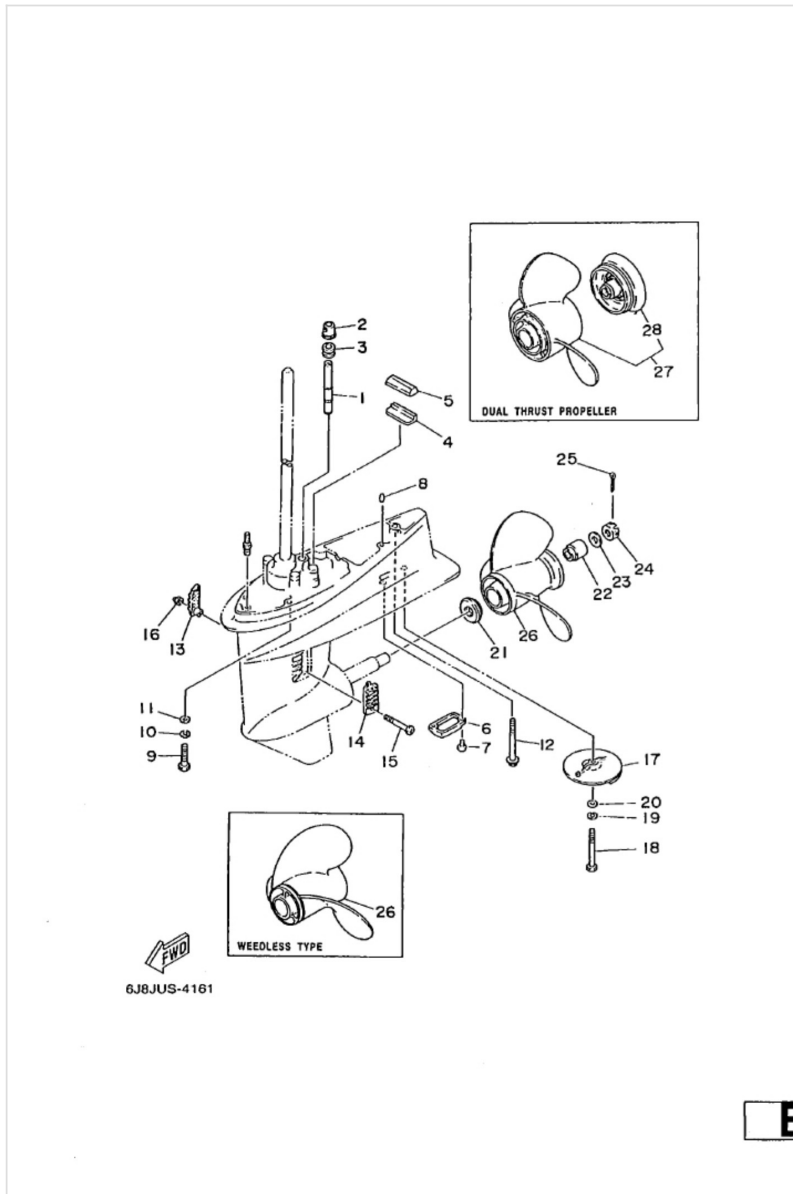
Ref	Part	
1	<a href="#">6J84436100</a> Tube, water URS	<a href="#">Buy now</a>
1	<a href="#">6J84436110</a> Tube, water URL	<a href="#">Buy now</a>
2	<a href="#">6J84435600</a> Damper, Water Seal	<a href="#">Buy now</a>
3	<a href="#">6634436700</a> Damper, water seal 3	<a href="#">Buy now</a>
4	<a href="#">663453760094</a> Guide, seal damper	<a href="#">Buy now</a>
5	<a href="#">6884537500</a> Damper, seal 2	<a href="#">Buy now</a>
6	<a href="#">6J84522410</a> Cover, water inlet 3	<a href="#">Buy now</a>
7	<a href="#">9788006012</a> Screw, pan head(62j)	<a href="#">Buy now</a>
8	<a href="#">9360612019</a> Pin, dowel (614)	<a href="#">Buy now</a>
12	<a href="#">9011908M92</a> Bolt, with washer	<a href="#">Buy now</a>
13	<a href="#">6894521401</a> Cover, water inlet 1	<a href="#">Buy now</a>
14	<a href="#">15</a> - 'SCREW, OVAL HEAD	<a href="#">Buy now</a>
14	<a href="#">6J84521500</a> Cover, water inlet	<a href="#">Buy now</a>
16	<a href="#">9018505002</a> Nut nylon (sus)(ex4)	<a href="#">Buy now</a>
17	<a href="#">6644537101</a> Tab-trim	<a href="#">Buy now</a>

# Lower Casing. Drive 2



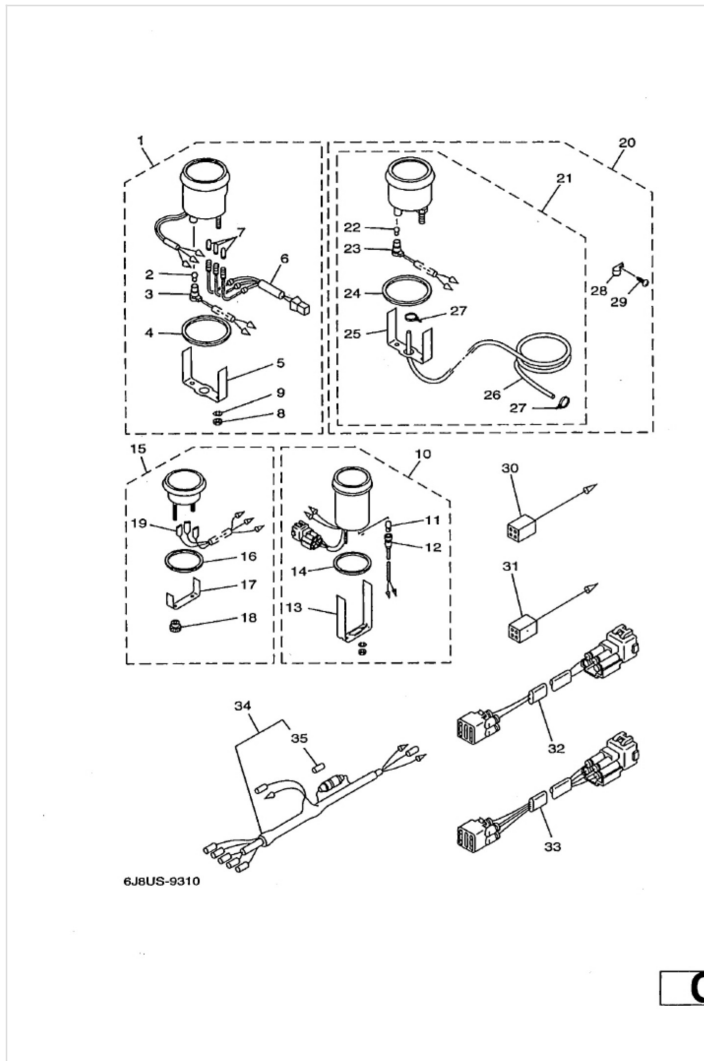
Ref	Part	
17	<a href="#">9707508020</a> Bolt, hexagon	<a href="#">Buy now</a>
19	<a href="#">6L24598701</a> Spacer	<a href="#">Buy now</a>
19	<a href="#">9209508100</a> Washer	<a href="#">Buy now</a>
22	<a href="#">6894509700</a> Spacer	<a href="#">Buy now</a>
23	<a href="#">6J80US4161</a> - 90171-14013 NUT, CASTLE	<a href="#">Buy now</a>
23	<a href="#">9299014200</a> Washer, plain	<a href="#">Buy now</a>
25	<a href="#">9149030022</a> Pin, cotter	<a href="#">Buy now</a>
1	<a href="#">1</a> [Ur	<a href="#">Buy now</a>
1	<a href="#">1</a> {Um	<a href="#">Buy now</a>
1	<a href="#">664459700098</a> Propeller (3x9-1/8 x13 -f) 1   URSTAINLESS STEEL,	<a href="#">Buy now</a>
26	<a href="#">6644594301EL</a> Propeller (3x9-7/8 x8 -f) fur	<a href="#">Buy now</a>
26	<a href="#">6644594500EL</a> Propeller (3x9-7/8 x10-1/2 -f) [ur	<a href="#">Buy now</a>
26	<a href="#">6644594701EL</a> Propeller (3x9-7/8 x11-1/4 -f)  um	<a href="#">Buy now</a>
26	<a href="#">6644594902EL</a> Propeller (3x9-7/8 x13 -f) 1   um	<a href="#">Buy now</a>
27	<a href="#">6J8W459100EL</a> Propeller (3x10-5/8"x8-1/4"-f) 1   [UR DUAL THRUST	<a href="#">Buy now</a>

# Lower Casing. Drive 2



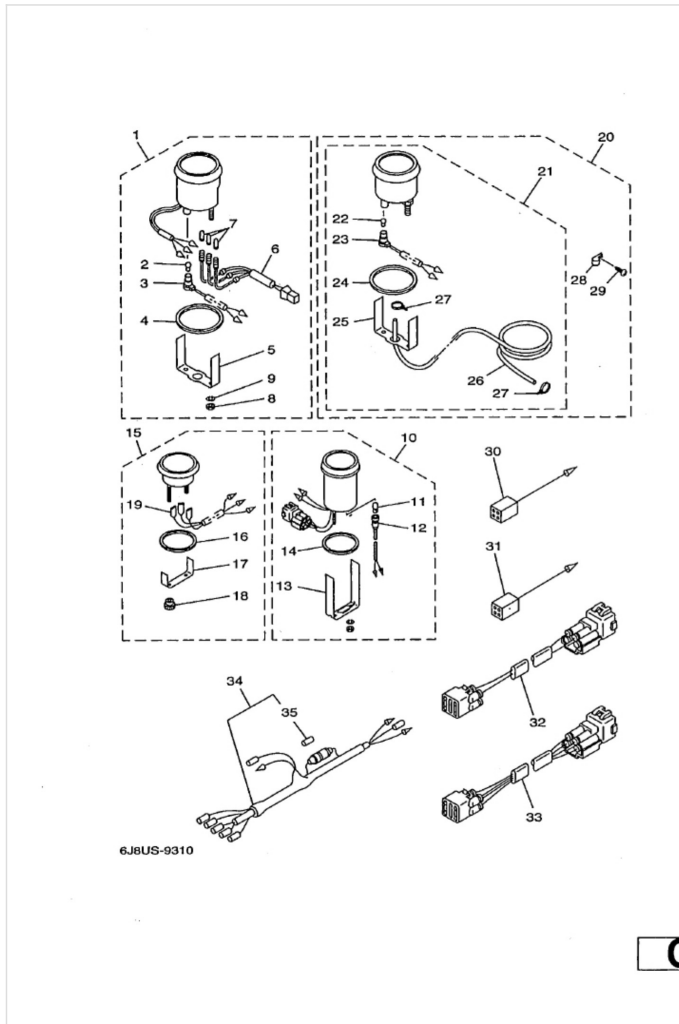
Ref	Part	
28	<a href="#">6J8459861098</a> Ring, deflector	<a href="#">Buy now</a>

# Meter



Ref	Part	
1	<a href="#">6Y58354005</a> Tachometer assembly 11] a]   [won tame	<a href="#">Buy now</a>
2	<a href="#">6Y56351700</a> Bulb (12V-1.7W, T10) [EIR	<a href="#">Buy now</a>
3	<a href="#">6Y59353610</a> Socket, Meter [IEIRIR	<a href="#">Buy now</a>
4	<a href="#">6Y58352300</a> Damper [RIKI]	<a href="#">Buy now</a>
5	<a href="#">6Y5-8351400</a> Plate, fitting [RINE]	<a href="#">Buy now</a>
6	<a href="#">656350903</a> Socket Cord assembly EINE	<a href="#">Buy now</a>
7	<a href="#">6Y58351800</a> Bulb (12v-1.7w) t6.5 T6.5) a af 3  3	<a href="#">Buy now</a>
8	<a href="#">9538005600</a> Nut, hexagon (663) 2  2  2  2	<a href="#">Buy now</a>
9	<a href="#">9209005100</a> Washer, Spring 2  2  2  2	<a href="#">Buy now</a>
10	<a href="#">6Y58367011</a> Trim Meter assembly	<a href="#">Buy now</a>
11	<a href="#">656351800</a> Bulb (12V-1.7W, T6.5)	<a href="#">Buy now</a>
12	<a href="#">6Y58353600</a> Socket, meter	<a href="#">Buy now</a>
13	<a href="#">6Y58367700</a> Plate, Fitting	<a href="#">Buy now</a>
14	<a href="#">6888366400</a> Damper	<a href="#">Buy now</a>
15	<a href="#">6Y58350410</a> Hour meter assembly (digital) HEIRIE!	<a href="#">Buy now</a>

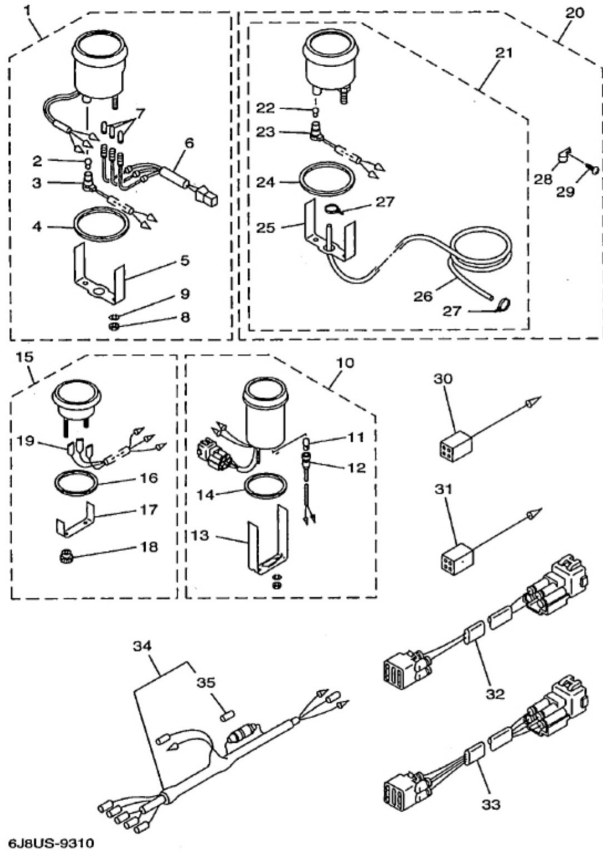
# Meter



Ref	Part	
17	<a href="#">6Y58351410</a> Plate, Fitting [IRIEIE]	<a href="#">Buy now</a>
18	<a href="#">6Y58355410</a> 2  2  2  2	<a href="#">Buy now</a>
19	<a href="#">6Y58350U00</a> [Eine]	<a href="#">Buy now</a>
20	<a href="#">6Y5W008130</a> Speedometer Kit	<a href="#">Buy now</a>
21	<a href="#">656351030</a> Speedometer assembly' if	<a href="#">Buy now</a>
22	<a href="#">6Y58351700</a> Bulb (12v-1.7w)	<a href="#">Buy now</a>
23	<a href="#">6V58353610</a> Socket, Meter [EINE]	<a href="#">Buy now</a>
24	<a href="#">6Y58352000</a> Damper [EINE]	<a href="#">Buy now</a>
25	<a href="#">6Y58351400</a> Plate, fitting [IEIRIE!]	<a href="#">Buy now</a>
27	<a href="#">9046511M10</a> Clamp	<a href="#">Buy now</a>
28	<a href="#">9060131402</a> 021-58119-01 clip,nylon 14 5  5  5 5	<a href="#">Buy now</a>
29	<a href="#">9778040116</a> Screw,panh.tapping 5( 5( 5  5	<a href="#">Buy now</a>
30	<a href="#">6Y58211700</a> Wire, lead 2  2  2} 2	<a href="#">Buy now</a>
31	<a href="#">6Y58252100</a> Wire, lead HRIEIE!	<a href="#">Buy now</a>
32	<a href="#">6R38252170</a> Wire, lead (for tacho., 7m)	<a href="#">Buy now</a>

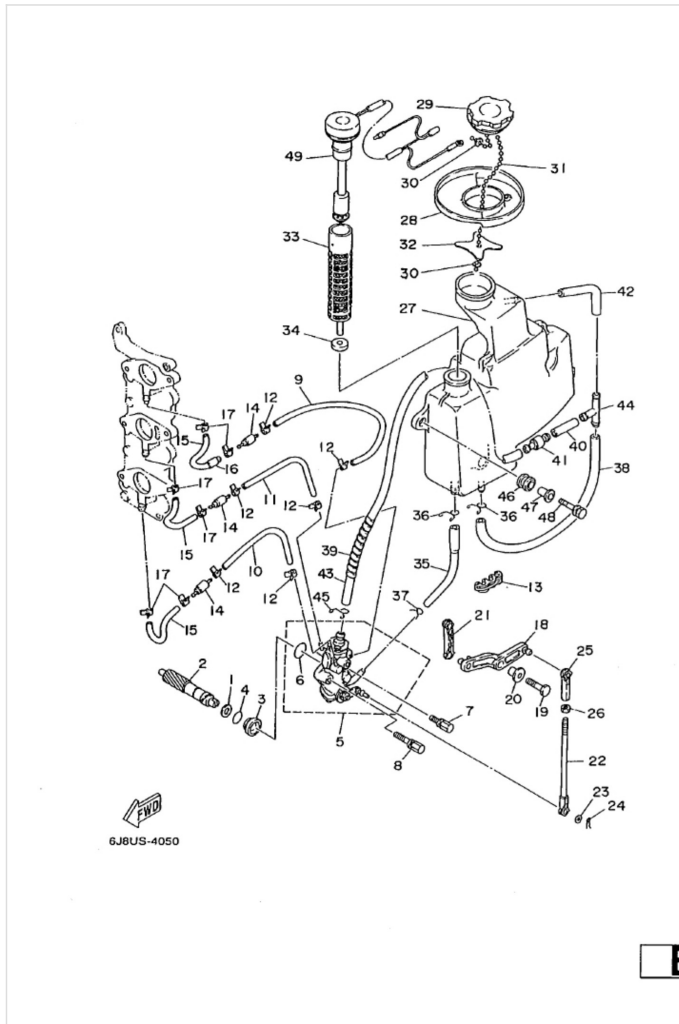


# Meter



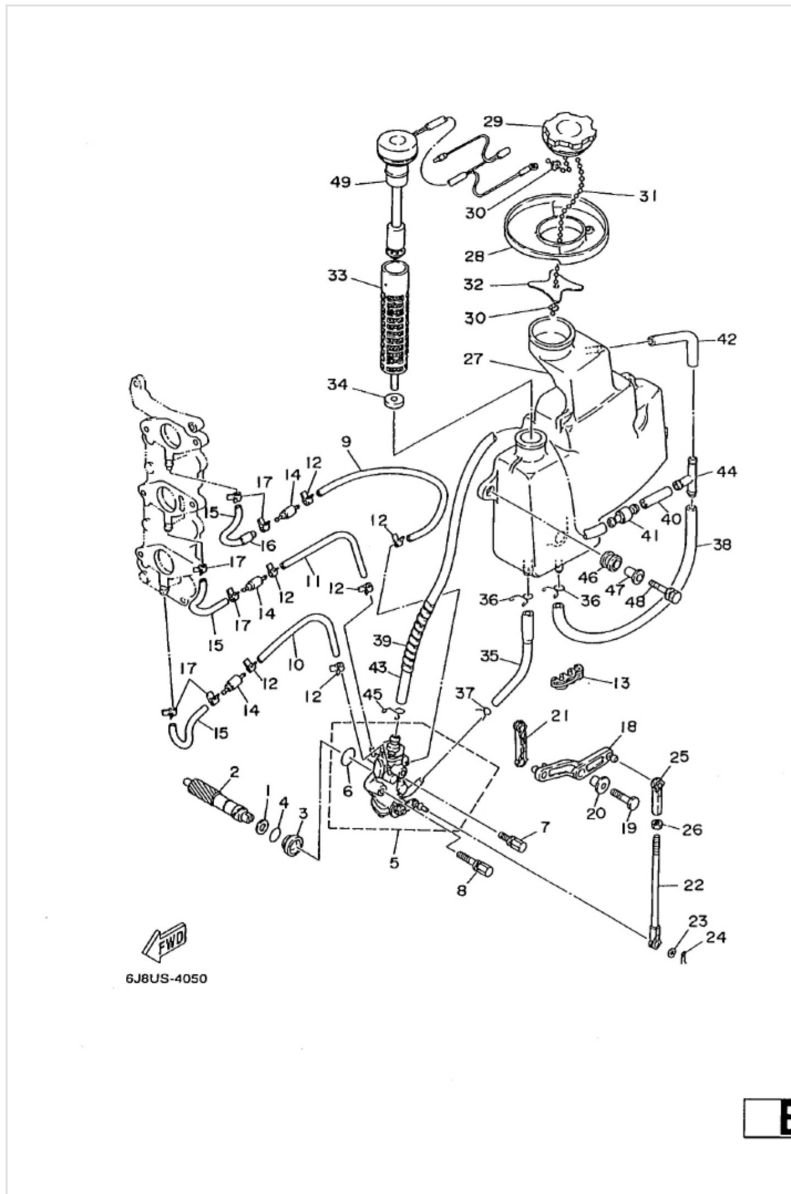
Ref	Part	
34	<a href="#">6Y58355300</a> Wire, lead (l=2.5m) LRIRIE	<a href="#">Buy now</a>
35	<a href="#">1E68215100</a> Fuse (10a) LRIRIE!	<a href="#">Buy now</a>

# Oil Pump



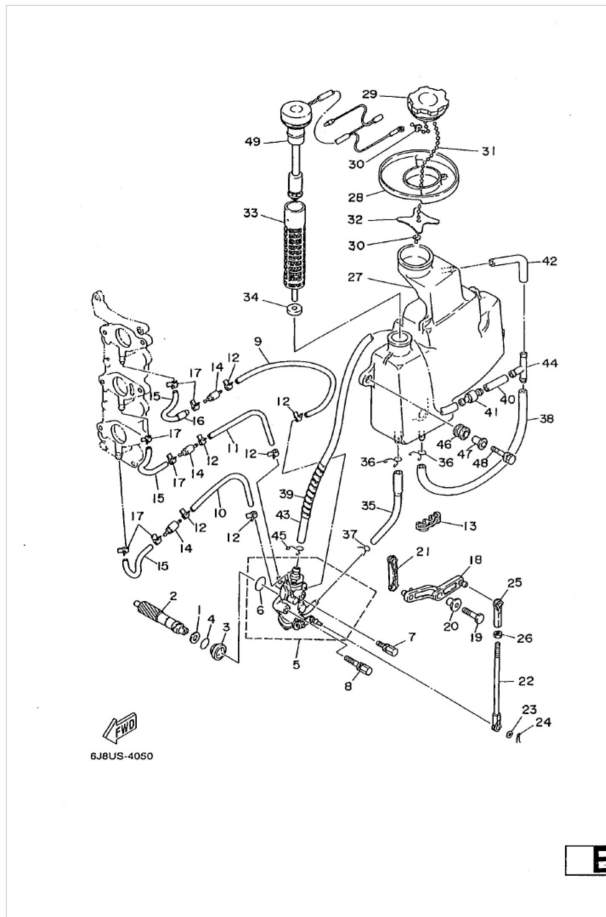
Ref	Part	
1	<a href="#">9020108M93</a> Washer, plate (6g5) HEIR	<a href="#">Buy now</a>
2	<a href="#">6J81153700</a> Gear, driven URIBE	<a href="#">Buy now</a>
3	<a href="#">6J81311700</a> Collar, distance LRIRIR	<a href="#">Buy now</a>
4	<a href="#">9321013M04</a> 93210-13m04 HRIRIE!	<a href="#">Buy now</a>
5	<a href="#">6J81320001</a> Oil injection pump assembly HRIRIR	<a href="#">Buy now</a>
6	<a href="#">9321019M82</a> O-ring(6j8) HN RIRIK	<a href="#">Buy now</a>
7	<a href="#">9010905M32</a> Bolt RIE!	<a href="#">Buy now</a>
8	<a href="#">9010905M33</a> Bolt HRIRIE	<a href="#">Buy now</a>
9	<a href="#">9044507M08</a> Hose (I390) URIBE	<a href="#">Buy now</a>
10	<a href="#">9044507M32</a> Hose (I200) HRIRIE	<a href="#">Buy now</a>
11	<a href="#">8044507M32</a> Hose	<a href="#">Buy now</a>
12	<a href="#">9048807M02</a> Clip	<a href="#">Buy now</a>
13	<a href="#">9046407M05</a> Clamp HRIRIE	<a href="#">Buy now</a>
14	<a href="#">6E91318370</a> Valve check 3  8  3 3	<a href="#">Buy now</a>
15	<a href="#">9044507M04</a> Hose(62t)	<a href="#">Buy now</a>

# Oil Pump



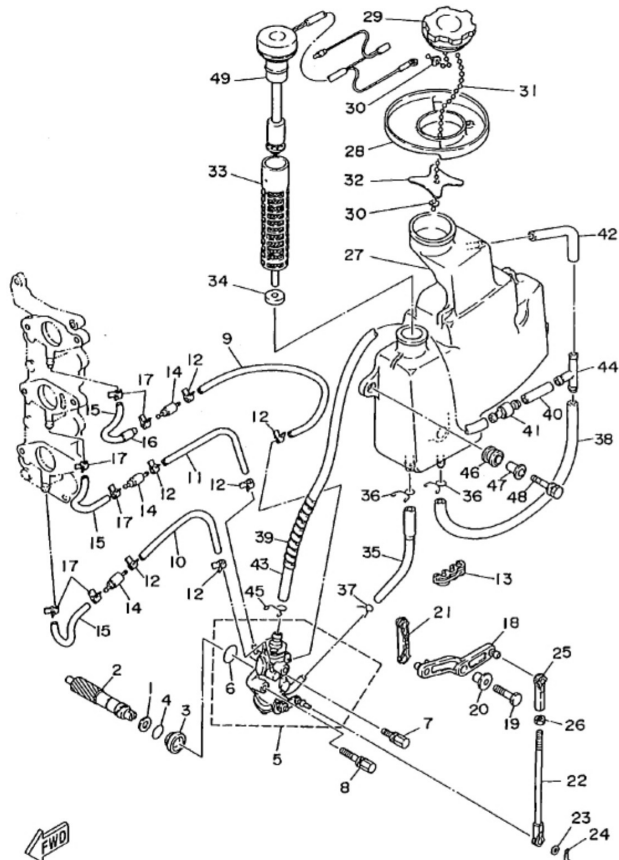
Ref	Part	
17	<a href="#">S046807M02</a> Clip 6  6 6 6	<a href="#">Buy now</a>
18	<a href="#">6J81315500</a> Lever, control [IRIRIE]	<a href="#">Buy now</a>
19	<a href="#">9709506025</a> Bolt IRIE	<a href="#">Buy now</a>
20	<a href="#">9038706M60</a> Collar (6h3) [IRIRIE]	<a href="#">Buy now</a>
22	<a href="#">6084123700</a> Joint, Link tf) 1] 4	<a href="#">Buy now</a>
23	<a href="#">9020205088</a> Washer, plate (666) [IRIRIE!]	<a href="#">Buy now</a>
24	<a href="#">9046805M03</a> Clip(6j8) EIR	<a href="#">Buy now</a>
27	<a href="#">6482170701</a> Oil Tank Comp. 111] [ur	<a href="#">Buy now</a>

# Oilpump



Ref	Part	
27	<a href="#">ej82170711</a> Oil Tank Comp. [ur	<a href="#">Buy now</a>
28	<a href="#">6J82173M00</a> Seal 3   1	<a href="#">Buy now</a>
29	<a href="#">6H42177000</a> Oil tank cap assembly [IRIRIE!	<a href="#">Buy now</a>
30	<a href="#">GHI2175700</a> Washer, Special 1 2) 2) 2 2	<a href="#">Buy now</a>
31	<a href="#">6HI2463300</a> Chain, Ball HRIEIE	<a href="#">Buy now</a>
32	<a href="#">6J821-75800</a> Washer, special 2 HRIRIE	<a href="#">Buy now</a>
33	<a href="#">6J81341100</a> Strainer, oil IRIEIK	<a href="#">Buy now</a>
34	<a href="#">6J81341400</a> Gasket, strainer cover LRIRIR	<a href="#">Buy now</a>
36	<a href="#">9046711M08</a> Clip(72x) 2  2  2  2	<a href="#">Buy now</a>
38	<a href="#">9044511M03</a> Hose (I360) LRIRIR!	<a href="#">Buy now</a>
39	<a href="#">9044610M01</a> Tube (6e5) LRIEIR	<a href="#">Buy now</a>
40	<a href="#">9044511M07</a> Hose (I70) LRIEIR	<a href="#">Buy now</a>
41	<a href="#">6J82174400</a> Breather LURIRIR	<a href="#">Buy now</a>
42	<a href="#">904351162</a> Hose	<a href="#">Buy now</a>
43	<a href="#">9044511M04</a> Hose (I600) LRIRIR	<a href="#">Buy now</a>

# Oilpump

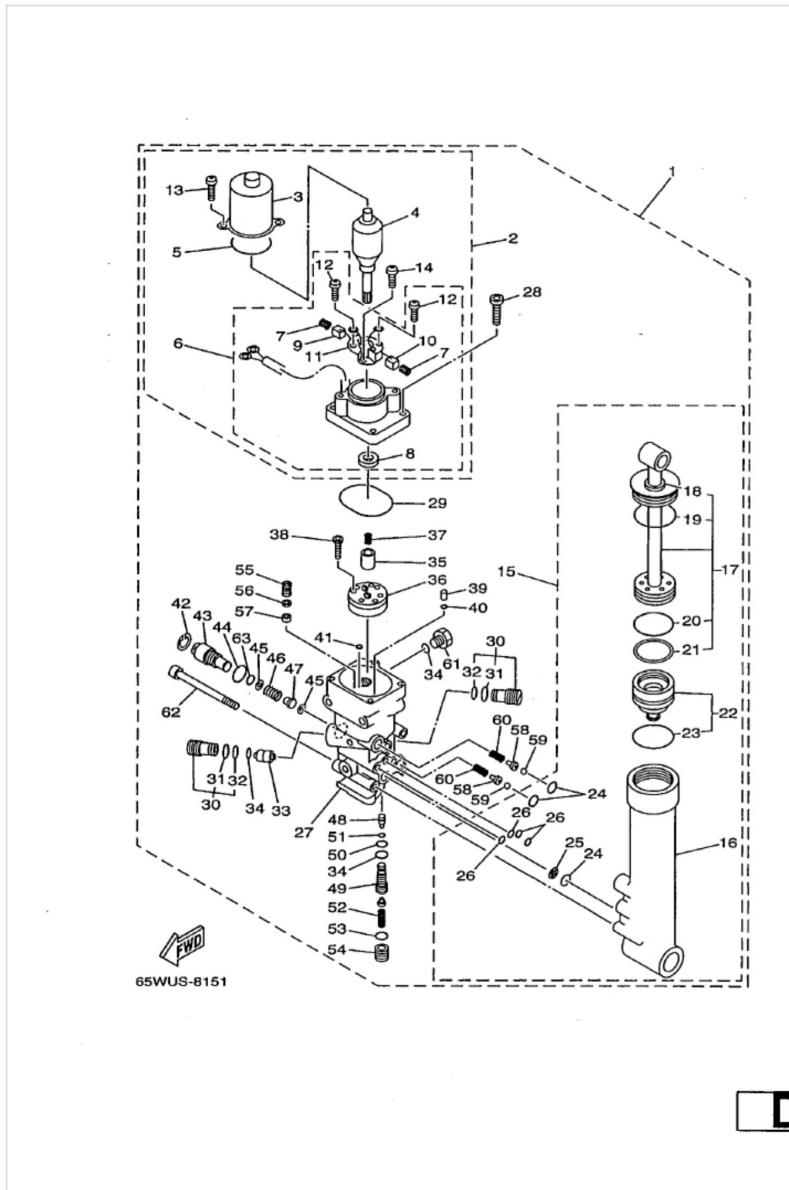


6J8US-4050



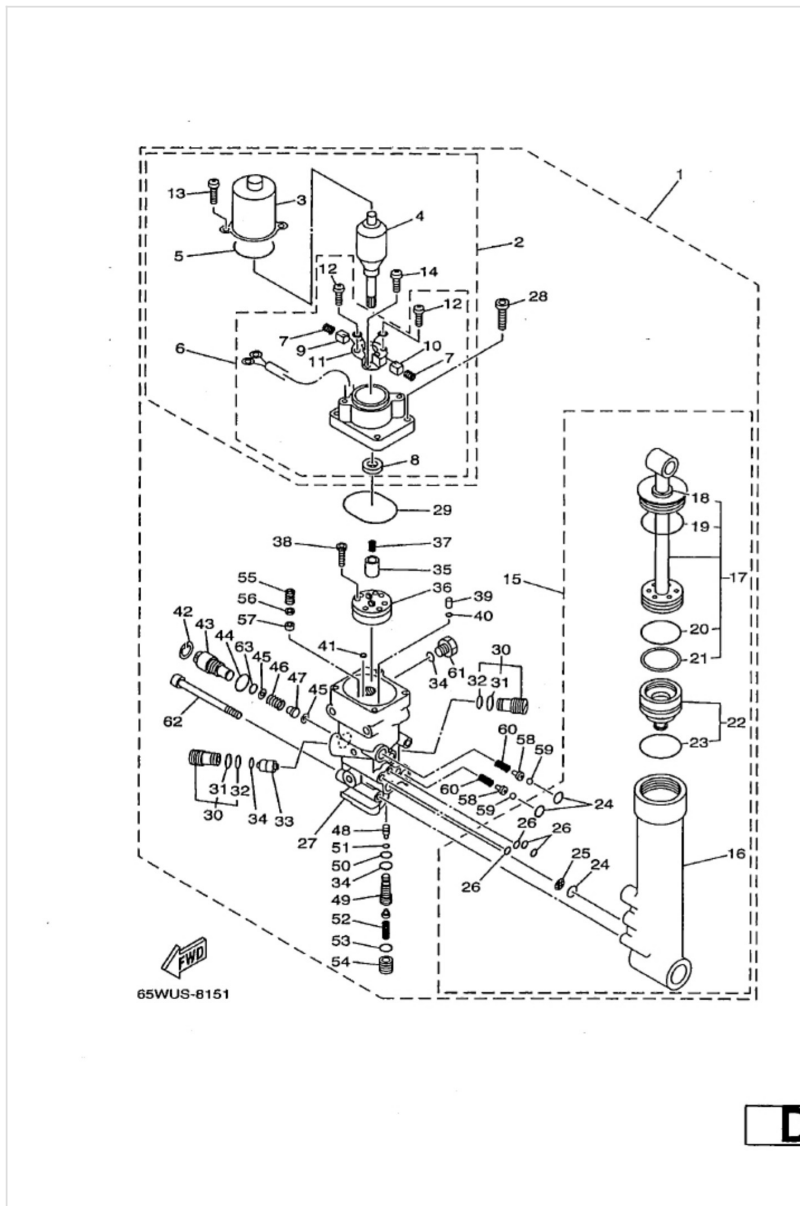
Ref	Part	
44	<a href="#">GES2437800</a> Pipe, Joint 4 11] 1]	<a href="#">Buy now</a>
45	<a href="#">9046710M04</a> Clip, pipe 1 (6e9) LRIRIR	<a href="#">Buy now</a>
46	<a href="#">6A08231700</a> Damper, ignition coil HEIEIE]	<a href="#">Buy now</a>
48	<a href="#">9011906M65</a> Bolt, with washer HEEE	<a href="#">Buy now</a>
49	<a href="#">6J88572001</a> Oil level gauge assembly LRIEIR	<a href="#">Buy now</a>

# Power Trim & Tilt Assy



Ref	Part	
1	<a href="#">65W43800024D</a> Power trim & tilt assembly	<a href="#">Buy now</a>
2	<a href="#">85W4388000</a> Motor assembly	<a href="#">Buy now</a>
3	<a href="#">65W4380400</a> Stator assembly	<a href="#">Buy now</a>
4	<a href="#">65W4380500</a> Armature assembly	<a href="#">Buy now</a>
5	<a href="#">65W4386900</a> O-ring	<a href="#">Buy now</a>
6	<a href="#">65W4388100</a> Frame, End	<a href="#">Buy now</a>
7	<a href="#">65W4386K00</a> Spring, brush	<a href="#">Buy now</a>
12	<a href="#">65W4367800</a> Screw, With Washer	<a href="#">Buy now</a>
13	<a href="#">65W4388700</a> Bolt, screw	<a href="#">Buy now</a>
15	<a href="#">5W4384000</a> Power Tilt	<a href="#">Buy now</a>
16	<a href="#">65W4380KG0</a> "..Cylinder, Tilt Sub assembly HRN EN	<a href="#">Buy now</a>
17	<a href="#">65W4381000</a> Tilt piston sub assembly	<a href="#">Buy now</a>
21	<a href="#">65W4387100</a> Ring, back up	<a href="#">Buy now</a>
22	<a href="#">65W4381800</a> Free Piston Sub assembly	<a href="#">Buy now</a>
23	<a href="#">6H14386110</a> O-ring	<a href="#">Buy now</a>

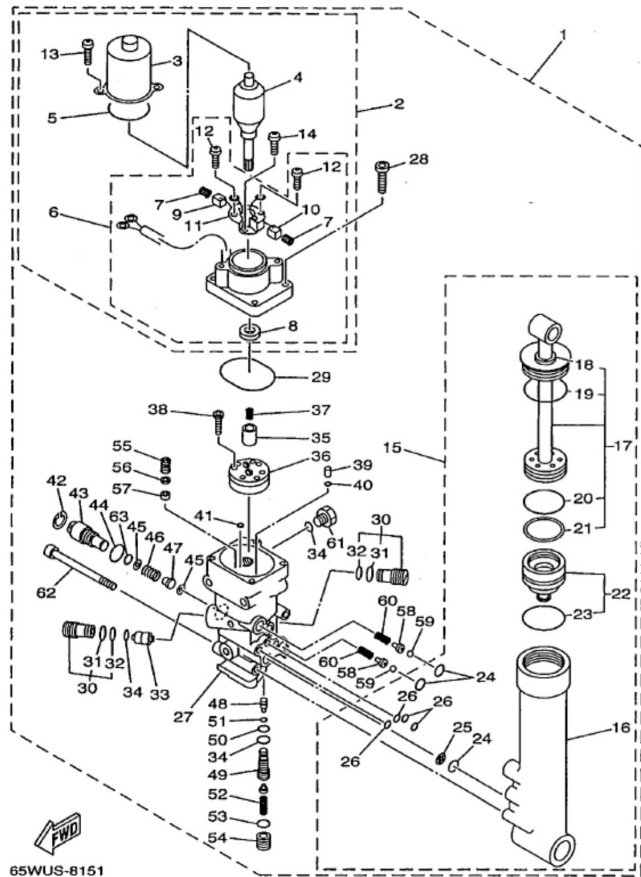
# Power Trim & Tilt Assy



Ref	Part	
24	<a href="#">65WUS8151</a> 62 65W-43855-00 6H1-43816-00	<a href="#">Buy now</a>
24	<a href="#">9321011368</a> O-ring (2h7)	<a href="#">Buy now</a>
27	<a href="#">65W4380L00</a> Housing, trim & tilt sub assembly	<a href="#">Buy now</a>
20	<a href="#">9321050768</a> O-ring	<a href="#">Buy now</a>
28	<a href="#">65W4388800</a> Bolt, hexagon socket head(1jk) al_	<a href="#">Buy now</a>
30	<a href="#">6T44380203</a> Valve sub assembly	<a href="#">Buy now</a>
31	<a href="#">6H14386600</a> O-ring t	<a href="#">Buy now</a>
32	<a href="#">6H14386700</a> O-ring	<a href="#">Buy now</a>
33	<a href="#">62X43-84100</a> Piston, shuttle	<a href="#">Buy now</a>
34	<a href="#">9321009165</a> O-ring	<a href="#">Buy now</a>
36	<a href="#">65W4383000</a> Gear pump assembly	<a href="#">Buy now</a>
38	<a href="#">9131804025</a> Bolt(62x)	<a href="#">Buy now</a>
40	<a href="#">65W4386100</a> O-ring	<a href="#">Buy now</a>
41	<a href="#">65W4386200</a> O-ring	<a href="#">Buy now</a>
42	<a href="#">6H14387500</a> Ring, snap	<a href="#">Buy now</a>

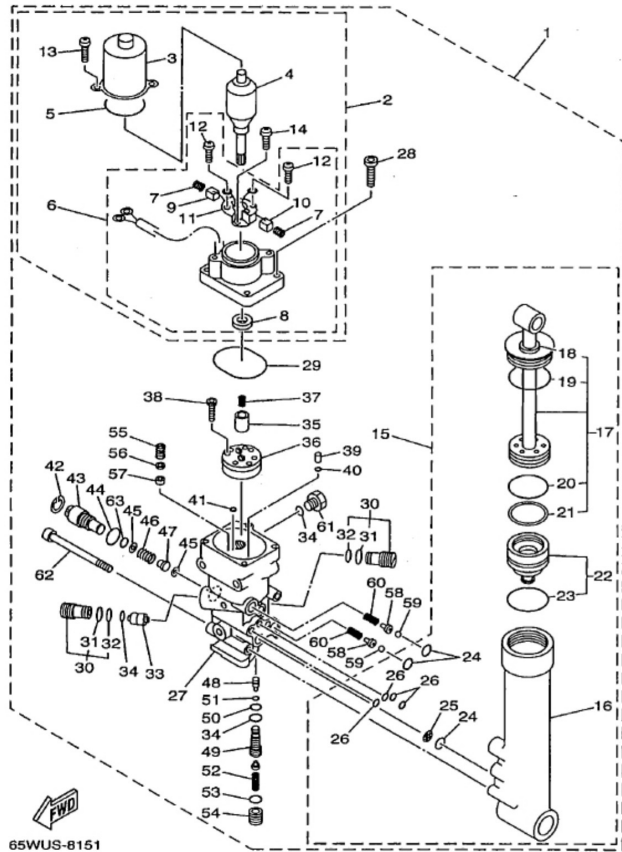


# Power Trim & Tilt Assy



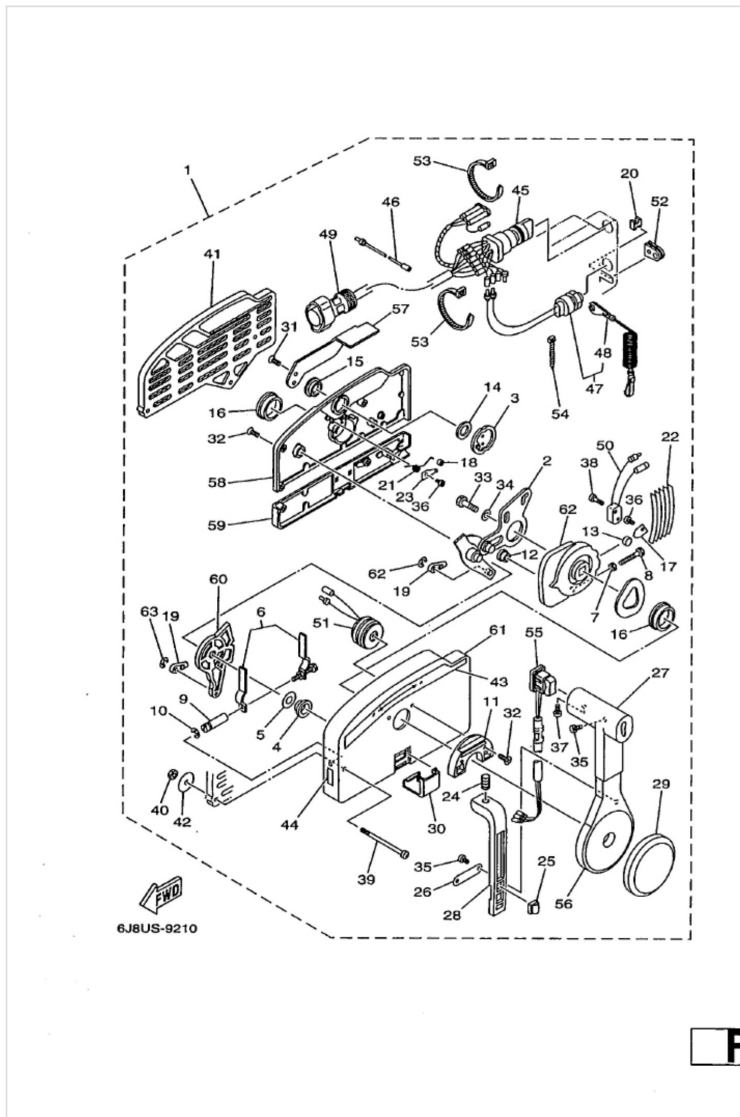
Ref	Part	
44	<a href="#">9321018397</a> O-ring (6g5)	<a href="#">Buy now</a>
45	<a href="#">6H14384700</a> Seat, manual valve 2]	<a href="#">Buy now</a>
46	<a href="#">65W4385400</a> Spring, manual release	<a href="#">Buy now</a>
47	<a href="#">65W4382A00</a> Adaptor 1	<a href="#">Buy now</a>
49	<a href="#">65W4385100</a> Seat, relief valve	<a href="#">Buy now</a>
50	<a href="#">9321008006</a> O-ring	<a href="#">Buy now</a>
51	<a href="#">9321003478</a> O-ring(31m)	<a href="#">Buy now</a>
54	<a href="#">65W4384300</a> Screw, valve lock	<a href="#">Buy now</a>
95	<a href="#">65W4383100</a> Connector, shaft	<a href="#">Buy now</a>
97	<a href="#">6T44385300</a> Spring, main valve	<a href="#">Buy now</a>
99	<a href="#">65W4381700</a> Filter 2	<a href="#">Buy now</a>
5	<a href="#">6H14385610</a> Spring, down relief 1]	<a href="#">Buy now</a>
56	<a href="#">6H14384410</a> Pin, valve support	<a href="#">Buy now</a>
57	<a href="#">6H14384F10</a> Seal, main valve	<a href="#">Buy now</a>
58	<a href="#">B5W4386A00</a> Pin, Absorber Valve	<a href="#">Buy now</a>

# Power Trim & Tilt Assy



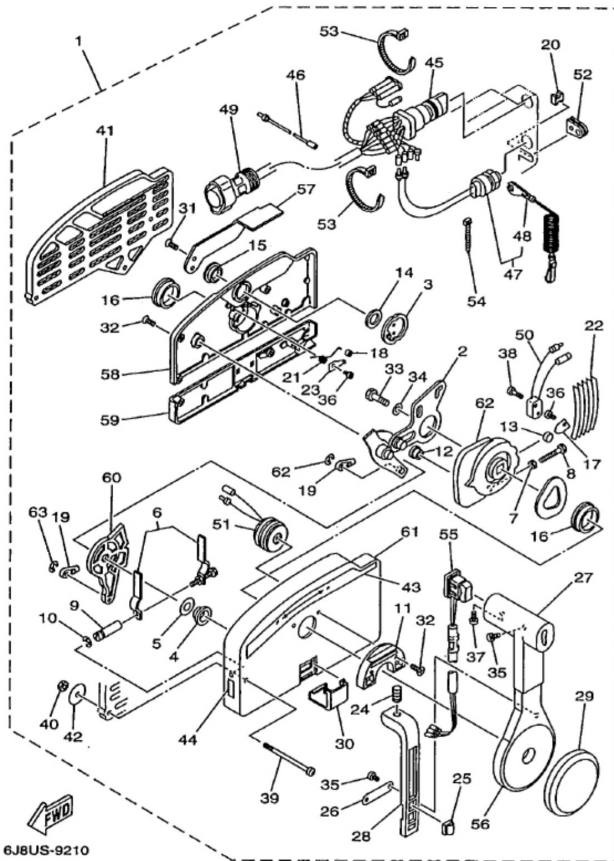
Ref	Part	
59	<a href="#">9350108001</a> Ball	<a href="#">Buy now</a>
60	<a href="#">65W4385300</a> Spring, absorber valve	<a href="#">Buy now</a>
61	<a href="#">6H14382900</a> Plug, reservoir	<a href="#">Buy now</a>
62	<a href="#">62X4387800</a> Bolt, socket	<a href="#">Buy now</a>
63	<a href="#">9321010M74</a> O-ring	<a href="#">Buy now</a>

# Remote



Ref	Part	
27	<a href="#">7034822200</a> Grip, control lever 1  1  [sale]	<a href="#">Buy now</a>
28	<a href="#">7034822300</a> Lock, neutral	<a href="#">Buy now</a>
29	<a href="#">7034822500</a> Cover	<a href="#">Buy now</a>
30	<a href="#">7034821900</a> Cover, lead	<a href="#">Buy now</a>
31	<a href="#">7034828100</a> Screw, flat head 2  2	<a href="#">Buy now</a>
33	<a href="#">9739508030</a> Bolt, hexagon (fj1) tf	<a href="#">Buy now</a>
34	<a href="#">9299008600</a> Washer, plain (663)	<a href="#">Buy now</a>
35	<a href="#">9858004010</a> Screw, pan head (e56) al 3  [sineLe]	<a href="#">Buy now</a>
36	<a href="#">9858004008</a> Screw, pan head (713)	<a href="#">Buy now</a>
38	<a href="#">9858003015</a> Screw, pan head (n151) 2  2	<a href="#">Buy now</a>
39	<a href="#">7034820110</a> Remote control assembly (10p)	<a href="#">Buy now</a>
40	<a href="#">9538006600</a> Nut(661) 3  3!	<a href="#">Buy now</a>
41	<a href="#">7034820310</a> Remote control assembly (7p) 1  [sineLe]	<a href="#">Buy now</a>
43	<a href="#">7034621500</a> Graphic	<a href="#">Buy now</a>
44	<a href="#">7024821700</a> Mark	<a href="#">Buy now</a>

# Remote

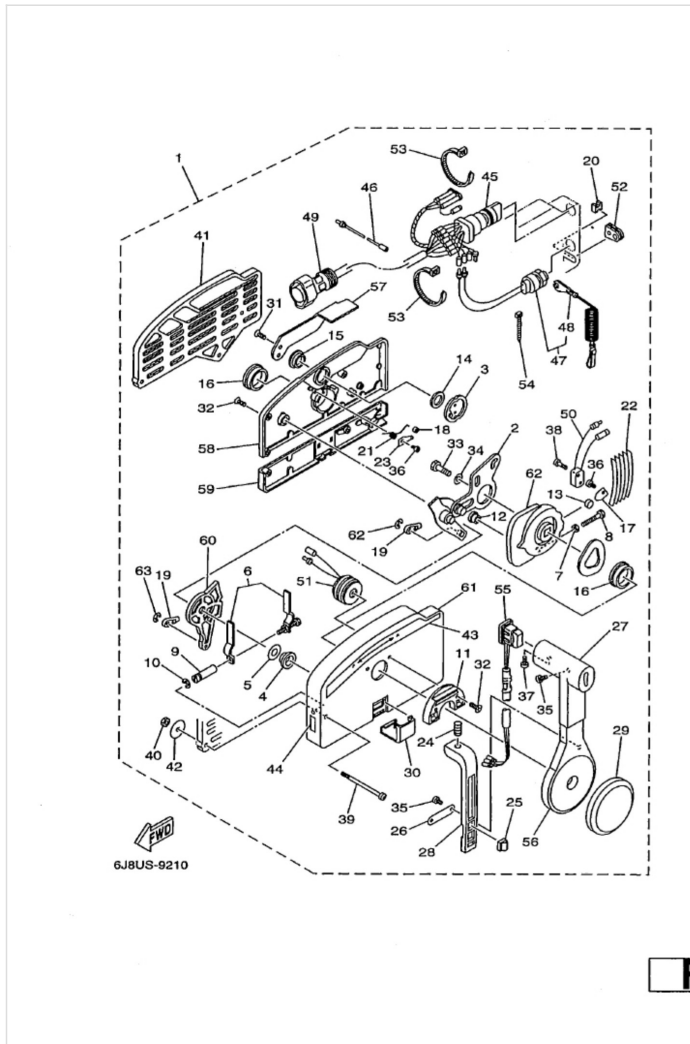


6J8US-9210



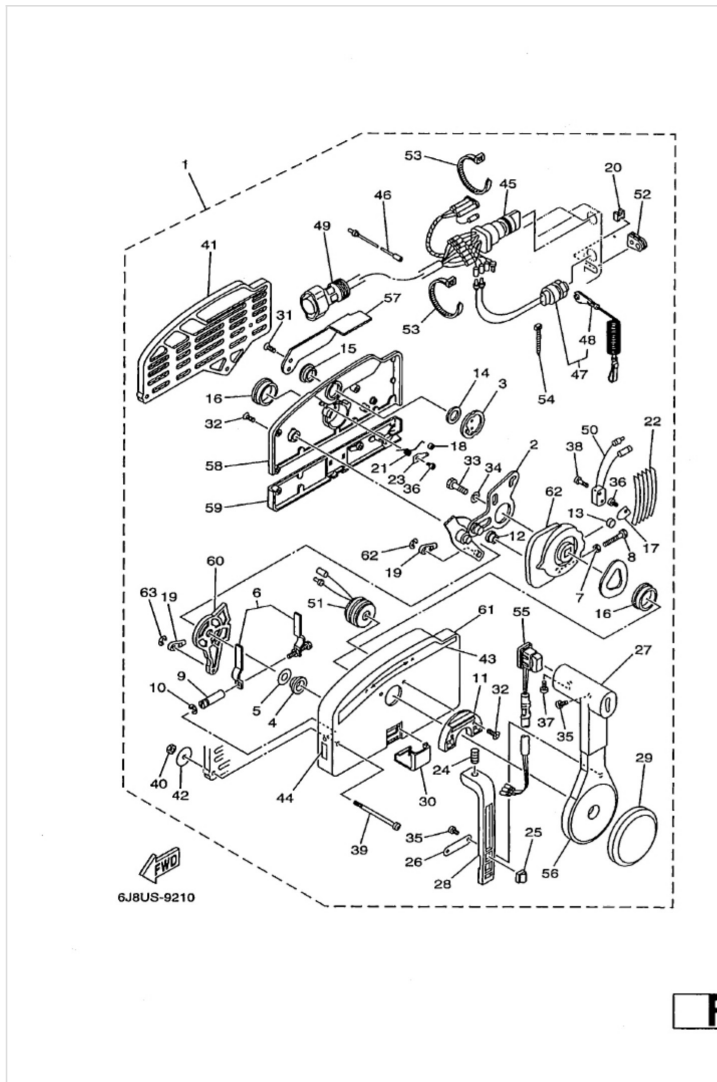
Ref	Part	
45	<a href="#">7038251031</a> Main switch assembly UR	<a href="#">Buy now</a>
45	<a href="#">7038251041</a> Main switch assembly 1 um	<a href="#">Buy now</a>
47	<a href="#">6888257501</a> Engine stop switch assembly	<a href="#">Buy now</a>
48	<a href="#">6828255600</a> Lanyard, stop switch	<a href="#">Buy now</a>
49	<a href="#">6888258621</a> Extension, wire harness	<a href="#">Buy now</a>
49	<a href="#">6J8US8210</a> 688-8258A-20	<a href="#">Buy now</a>
51	<a href="#">7038338302</a> Buzzer 	<a href="#">Buy now</a>

# Remote Control Assy 1



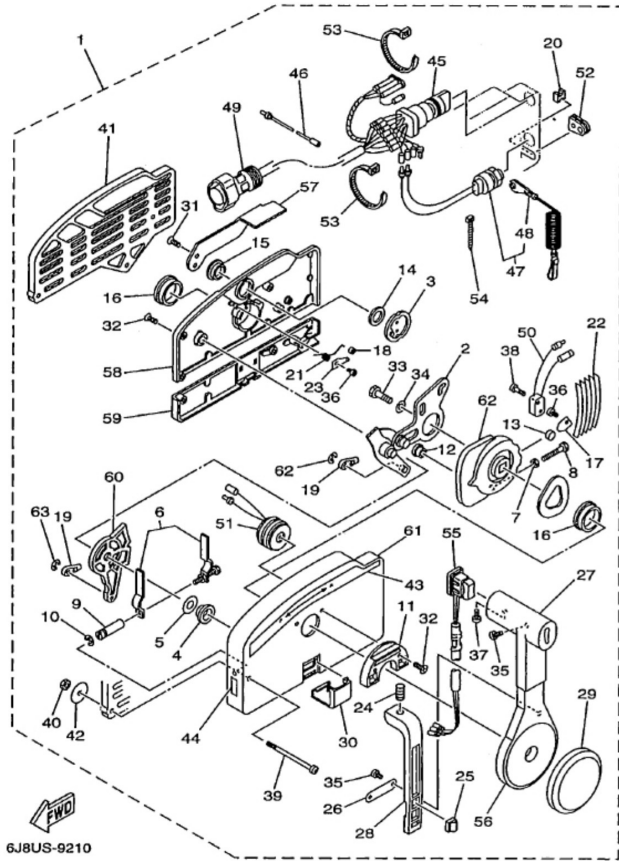
Ref	Part	
1	<a href="#">7034823014</a> Remote control assembly (7p) UR	<a href="#">Buy now</a>
1	<a href="#">7034825015</a> Remote control assembly (10p, ptt) 1]  URWITHPT/T sw.	<a href="#">Buy now</a>
1	<a href="#">T04BI000</a> Washer, Wave	<a href="#">Buy now</a>
2	<a href="#">7034826111</a> Arm, throttle IE	<a href="#">Buy now</a>
3	<a href="#">7034815300</a> Shaft, free accel.	<a href="#">Buy now</a>
4	<a href="#">7034823500</a> Bushing	<a href="#">Buy now</a>
6	<a href="#">7034826400</a> Throttle, friction	<a href="#">Buy now</a>
7	<a href="#">9538005600</a> Nut, hexagon (663)	<a href="#">Buy now</a>
8	<a href="#">9738005025</a> Bolt iE	<a href="#">Buy now</a>
9	<a href="#">7034826500</a> Shaft Friction 	<a href="#">Buy now</a>
10	<a href="#">9343006024</a> Circlip (701) HEE	<a href="#">Buy now</a>
11	<a href="#">7034824500</a> Plate, lock	<a href="#">Buy now</a>
12	<a href="#">7034825200</a> Roller, cam	<a href="#">Buy now</a>
13	<a href="#">7014824800</a> Roller, free accel if	<a href="#">Buy now</a>
15	<a href="#">7634824300</a> Tc -	<a href="#">Buy now</a>

# Remote Control Assy 1



Ref	Part	
16	<a href="#">7034823600</a> Bushing 2  2	<a href="#">Buy now</a>
17	<a href="#">7034818900</a> Retainer	<a href="#">Buy now</a>
19	<a href="#">7034834501</a> Cable end, remote control 2 2  2	<a href="#">Buy now</a>
20	<a href="#">770348358</a> Bree	<a href="#">Buy now</a>
21	<a href="#">7034824400</a> Spring, free accel.	<a href="#">Buy now</a>
22	<a href="#">7034823800</a> Spring, detent sls	<a href="#">Buy now</a>
23	<a href="#">6J8US9210</a> -	<a href="#">Buy now</a>
23	<a href="#">7034824600</a> Spacer 1	<a href="#">Buy now</a>
26	<a href="#">7034822600</a> Plate, stopper	<a href="#">Buy now</a>
52	<a href="#">7034828400</a> Grommet	<a href="#">Buy now</a>
53	<a href="#">7038259100</a> Band 2  2	<a href="#">Buy now</a>
54	<a href="#">7038259200</a> Band	<a href="#">Buy now</a>
55	<a href="#">7034822400</a> Cover, control lever UR 7P	<a href="#">Buy now</a>
55	<a href="#">7038256301</a> Trim & tilt switch assembly UR 10P	<a href="#">Buy now</a>
57	<a href="#">7034815200</a> Knob, free accel	<a href="#">Buy now</a>

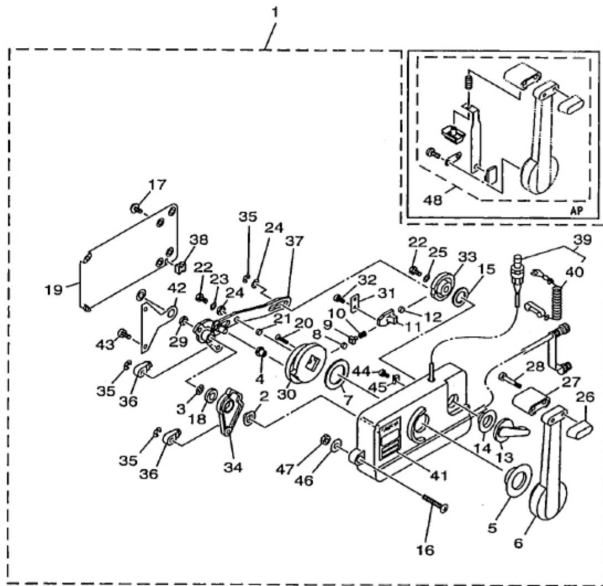
# Remote Control Assy 1



Ref	Part	
58	<a href="#">7034821200</a> Rear housing	<a href="#">Buy now</a>
59	<a href="#">7034821300</a> Back, panel	<a href="#">Buy now</a>
60	<a href="#">7034827100</a> Arm, shift	<a href="#">Buy now</a>
61	<a href="#">7034821101</a> Housing,1	<a href="#">Buy now</a>
62	<a href="#">7034823200</a> Drive gear	<a href="#">Buy now</a>



## Remote Control Assy 2



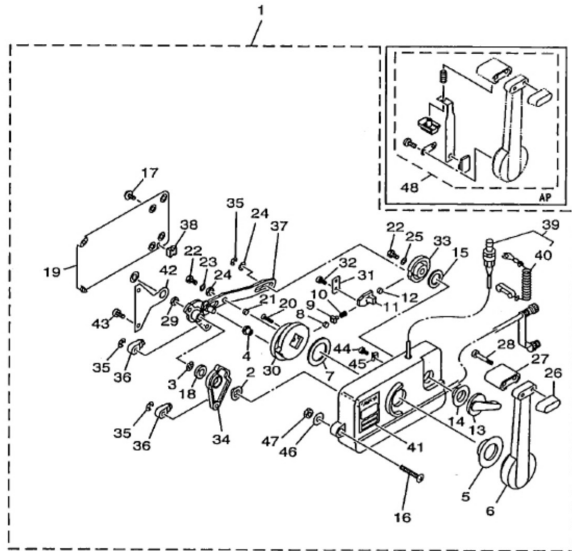
FWD  
6J8NV-9220



Ref	Part	
?	<a href="#">17014810123</a> Remote Control assembly	<a href="#">Buy now</a>
2	<a href="#">7014823500</a> Bushing 2	<a href="#">Buy now</a>
3	<a href="#">7014819710</a> Washer, wave 2	<a href="#">Buy now</a>
4	<a href="#">7014825200</a> Roller, cam	<a href="#">Buy now</a>
5	<a href="#">7014823400</a> Bushing 1	<a href="#">Buy now</a>
7	<a href="#">7014819611</a> Washer, wave 1	<a href="#">Buy now</a>
8	<a href="#">7014820600</a> Roller, Detent	<a href="#">Buy now</a>
9	<a href="#">7024823700</a> Adaptor	<a href="#">Buy now</a>
10	<a href="#">7024823800</a> Spring, Detent	<a href="#">Buy now</a>
12	<a href="#">7014824800</a> Roller, free accel	<a href="#">Buy now</a>
13	<a href="#">7014815211</a> Knob, free accel <b>SINGLE</b>	<a href="#">Buy now</a>
14	<a href="#">7014824300</a> Bushing	<a href="#">Buy now</a>
15	<a href="#">7014819810</a> Washer, wave 3	<a href="#">Buy now</a>
17	<a href="#">9858005010</a> Screw, pan head(62x)	<a href="#">Buy now</a>
18	<a href="#">7014826800</a> Spacer 3	<a href="#">Buy now</a>



## Remote Control Assy 2

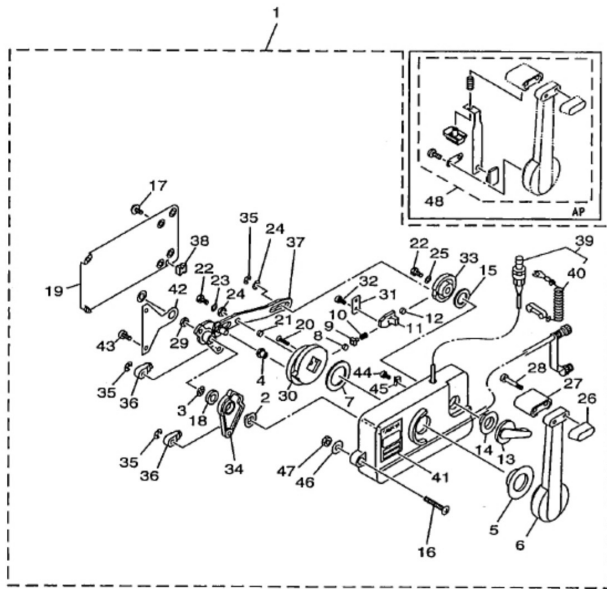


  
6JBNV-9220

**F**

Ref	Part	
19	<a href="#">7014821300</a> Back, plate	<a href="#">Buy now</a>
20	<a href="#">9878006025</a> Screw flat head	<a href="#">Buy now</a>
22	<a href="#">9708006018</a> Bolt (fj0)	<a href="#">Buy now</a>
23	<a href="#">7024828800</a> Washer, Plain	<a href="#">Buy now</a>
24	<a href="#">6JBNV9220</a> 25 92990-06300 "WASHER, INTERNAL TOOTH"	<a href="#">Buy now</a>
24	<a href="#">7014824600</a> Spacer	<a href="#">Buy now</a>
27	<a href="#">7014822200</a> Grip, control lever	<a href="#">Buy now</a>
28	<a href="#">9858005555</a> Screw, pan head	<a href="#">Buy now</a>
29	<a href="#">7014826600</a> Spacer 2	<a href="#">Buy now</a>
30	<a href="#">7014823200</a> Gear 1	<a href="#">Buy now</a>
31	<a href="#">7014818911</a> Retainer	<a href="#">Buy now</a>
34	<a href="#">7014827100</a> Arm, shift SINGLE	<a href="#">Buy now</a>
35	<a href="#">9343006024</a> Circlip (701)	<a href="#">Buy now</a>
36	<a href="#">7034834501</a> Cable end, remote control 2 CONTROL 2 2	<a href="#">Buy now</a>
37	<a href="#">7014826100</a> Arm, throttle SINGLE	<a href="#">Buy now</a>

# Remote Control Assy 2

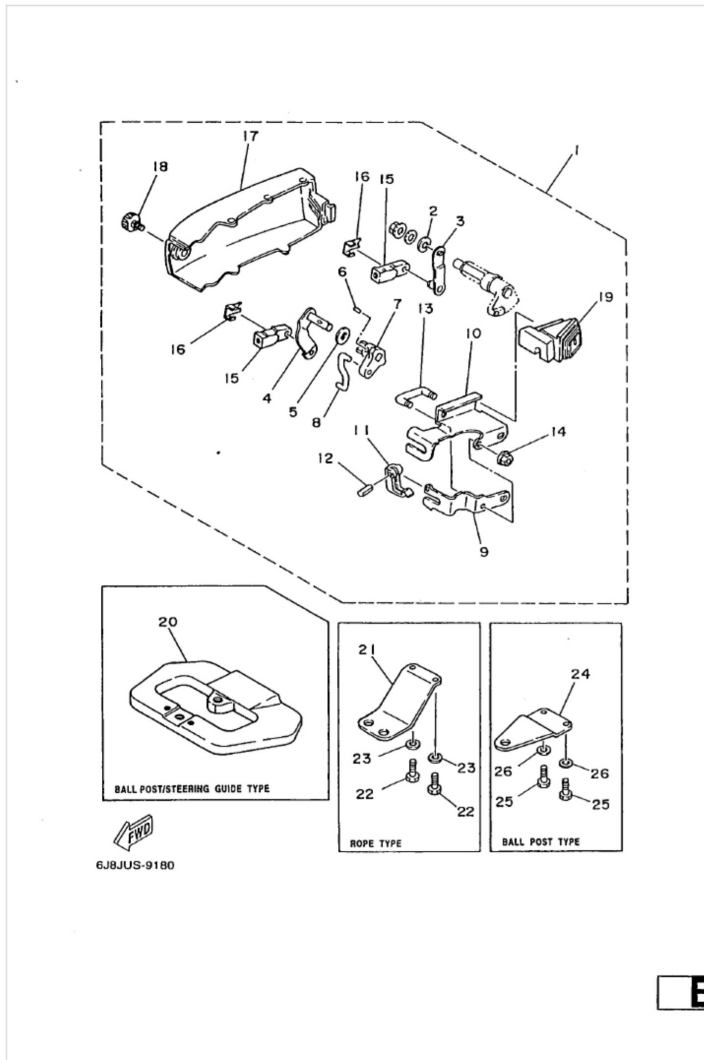


  
6J8NV-9220



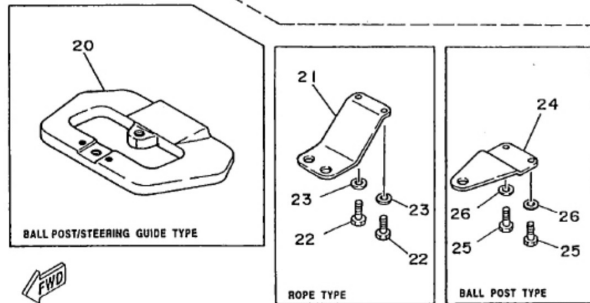
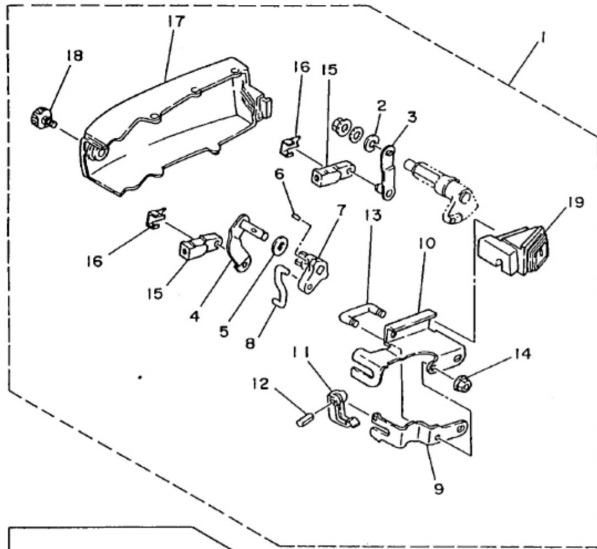
Ref	Part	
38	<a href="#">7014835800</a> Anchor, cable	<a href="#">Buy now</a>
39	<a href="#">7018257553</a> Engine stop switch assembly	<a href="#">Buy now</a>
44	<a href="#">7014828300</a> Screw 3	<a href="#">Buy now</a>
45	<a href="#">7018259400</a> Clamp	<a href="#">Buy now</a>
46	<a href="#">7014828700</a> Washer 1 SINGLE	<a href="#">Buy now</a>
47	<a href="#">9538006600</a> Nut(661) SINGLE	<a href="#">Buy now</a>

# Remote Control Attachment



Ref	Part	
1	<a href="#">6J848501034D</a> Remocon attachment assembly [uA	<a href="#">Buy now</a>
1	<a href="#">6J84850111</a> Attachment kit   tf um	<a href="#">Buy now</a>
2	<a href="#">9209008100</a> Washer, Spring IRIE!	<a href="#">Buy now</a>
3	<a href="#">6J84853400</a> Throttle lever, control IRIEIE	<a href="#">Buy now</a>
4	<a href="#">6J84851401</a> Lever, Shiftcontrol [IRIRIE	<a href="#">Buy now</a>
6	<a href="#">9169030316</a> Pin, spring IRIE	<a href="#">Buy now</a>
7	<a href="#">6J84417302</a> Lever, shift control [IRIE	<a href="#">Buy now</a>
11	<a href="#">6824853850</a> Clamp, cable IRIE!	<a href="#">Buy now</a>
12	<a href="#">9169030012</a> Pin, spring HRIRIR	<a href="#">Buy now</a>
13	<a href="#">9010906M29</a> Bolt(6j8)	<a href="#">Buy now</a>
14	<a href="#">9017906M24</a> Nut(6j8)	<a href="#">Buy now</a>
16	<a href="#">6G82636400</a> End, wire 2 2  2) 2  2	<a href="#">Buy now</a>
17	<a href="#">6J84272351</a> Cover, bottom (dbn:gray)	<a href="#">Buy now</a>
18	<a href="#">6J84284600</a> Screw	<a href="#">Buy now</a>
19	<a href="#">6J84272410</a> Grommet	<a href="#">Buy now</a>

# Remote Control Attachment

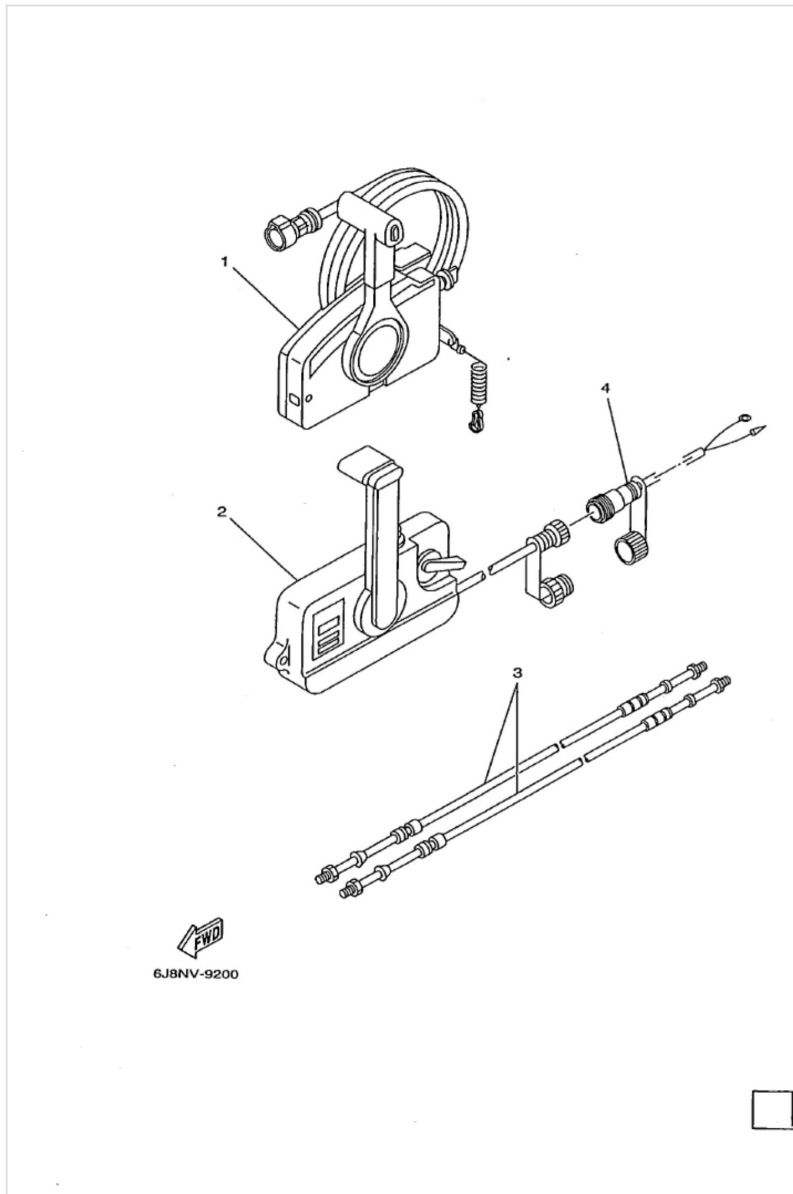


**FWD**  
6JBJS-9180



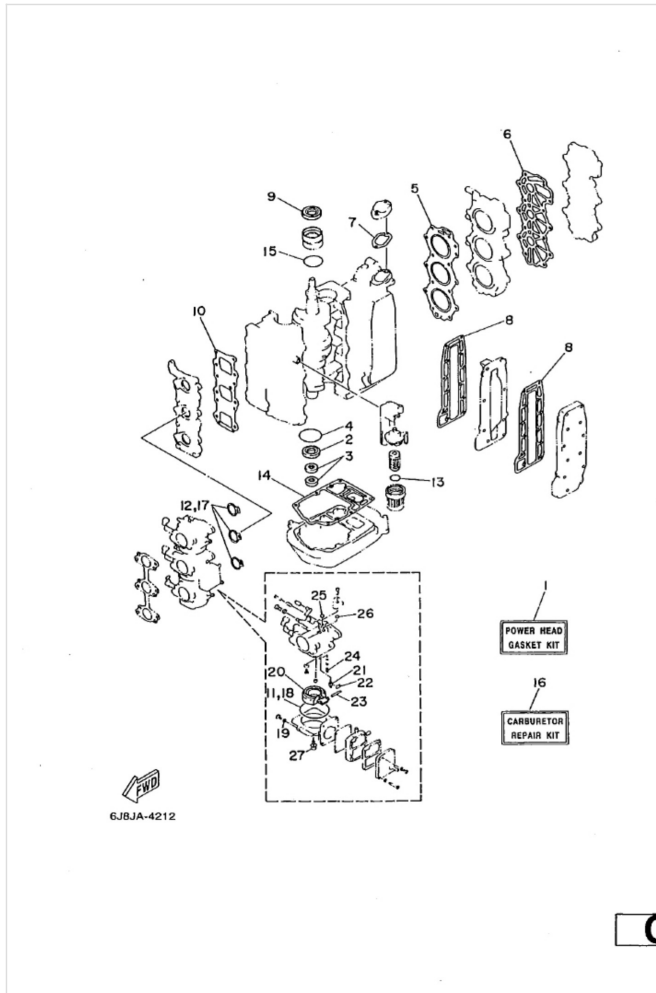
Ref	Part	
22	<a href="#">9709506016</a> Bolt, hexagon deep recess 2  2  2f 2	<a href="#">Buy now</a>
23	<a href="#">9299006600</a> Washer, plain (646) 2  2  2f 2	<a href="#">Buy now</a>
24	<a href="#">6G84851110</a> Hook, steering	<a href="#">Buy now</a>

# Remote Control Box



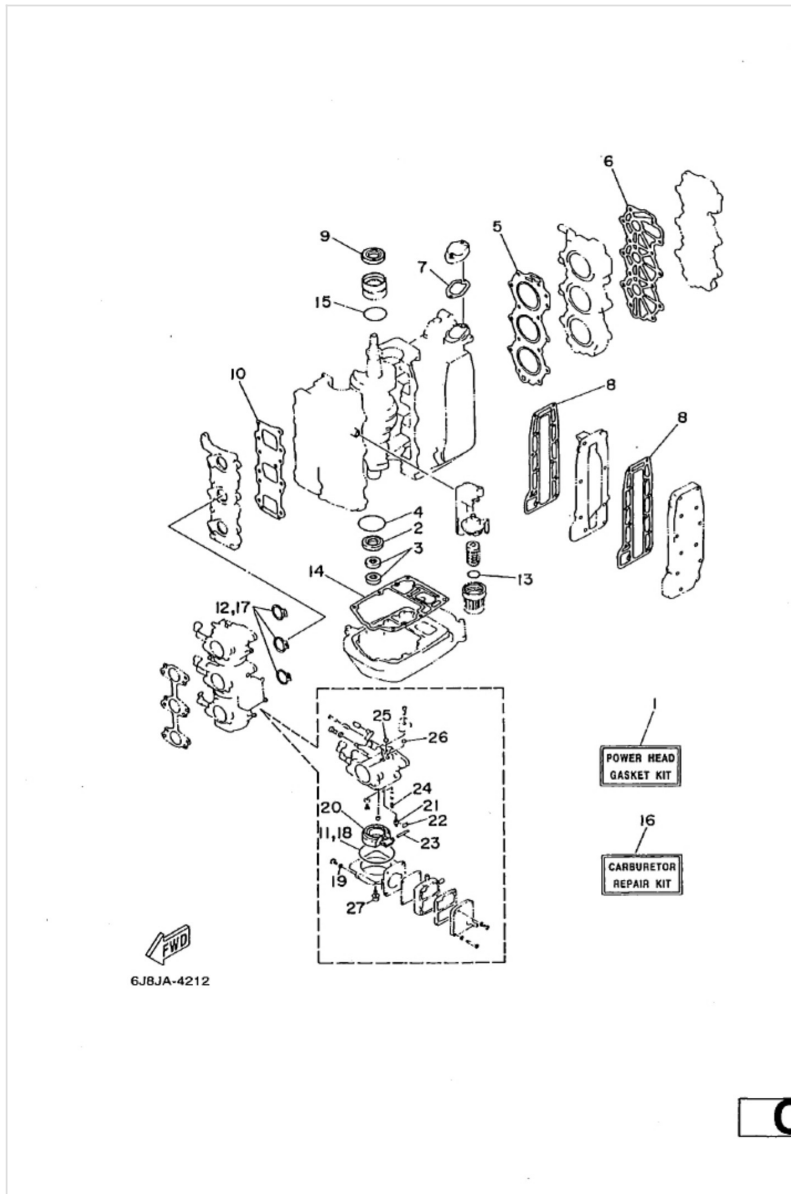
Ref	Part	
1	<a href="#">7034823014</a> Remote control assembly (7p) UR	<a href="#">Buy now</a>
1	<a href="#">7034825015</a> Remote control assembly (10p, ptt) UR WITH PT/T SW.	<a href="#">Buy now</a>
2	<a href="#">7014810123</a> Remote control assembly	<a href="#">Buy now</a>
3	<a href="#">7014831080</a> Cable, Remote Control L=10F 2] 2 UR	<a href="#">Buy now</a>
3	<a href="#">7014831090</a> Cable, Remote Control L=11F  2f2	<a href="#">Buy now</a>
4	<a href="#">6898434000</a> Socket cord ass'y 1	<a href="#">Buy now</a>

# Repair Kit 1



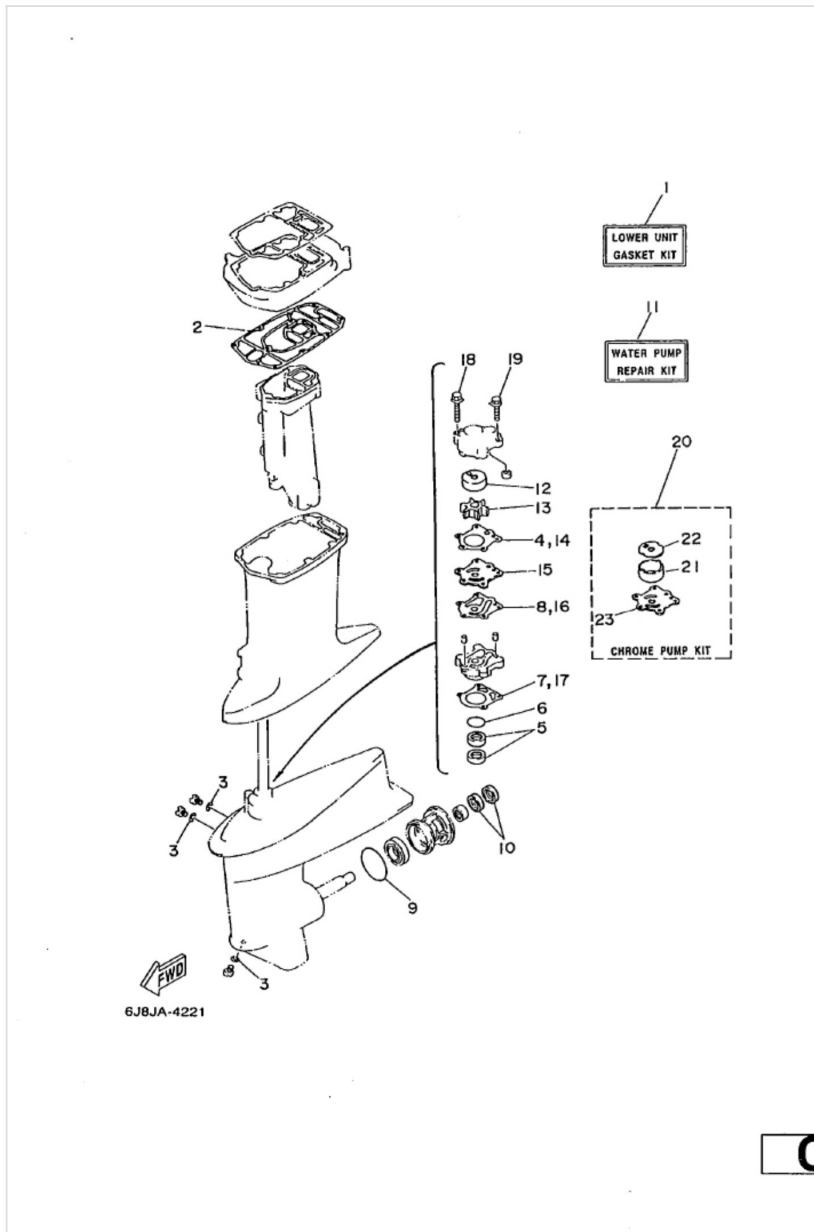
Ref	Part	
1	<a href="#">6J8W000103</a> Powerhead gasket kit 11)	<a href="#">Buy now</a>
2	<a href="#">9310125M28</a> Oil seal(6j8) [IRIKIE]	<a href="#">Buy now</a>
3	<a href="#">9310416M04</a> Oil seal(6a8) 2) 2  2 2	<a href="#">Buy now</a>
4	<a href="#">9321056M80</a> O-ring(6j8) LIRIRIE	<a href="#">Buy now</a>
5	<a href="#">6J811181A1</a> Gasket, cylinder head 1 [IRIKIE]	<a href="#">Buy now</a>
6	<a href="#">6JB11193A1</a> Gasket, Head Cover 1 IRIE]	<a href="#">Buy now</a>
7	<a href="#">60812414A0</a> Gasket, Cover RIE	<a href="#">Buy now</a>
8	<a href="#">64841114A0</a> Gasket, Exhaust Outer Cover 2  2  2  2	<a href="#">Buy now</a>
9	<a href="#">9310226M27</a> Oil seal(6j8) LURIEIE]	<a href="#">Buy now</a>
10	<a href="#">6J81362100</a> Gasket, valve seat	<a href="#">Buy now</a>
12	<a href="#">681419800</a> Gasket sf 3  a	<a href="#">Buy now</a>
13	<a href="#">9321032738</a> O-ring(1wg) UEIRIR	<a href="#">Buy now</a>
14	<a href="#">6J845113A0</a> Gasket, upper casing [IRIEIE!]	<a href="#">Buy now</a>
15	<a href="#">9321042159</a> O-ring (647) LRIEIR	<a href="#">Buy now</a>
17	<a href="#">6J81419800</a> Gasket 3  8 als	<a href="#">Buy now</a>

# Repair Kit 1



Ref	Part	
19	<a href="#">6J81499500</a> Gasket, drin screw	<a href="#">Buy now</a>
23	<a href="#">6J31454800</a> Pin, Float Arm HEE	<a href="#">Buy now</a>
24	<a href="#">6J81496600</a> Plug HEE	<a href="#">Buy now</a>
24	<a href="#">6JBIA4212</a> 'Bouchon	<a href="#">Buy now</a>
25	<a href="#">6J81412600</a> Plug HEE	<a href="#">Buy now</a>
27	<a href="#">9798004112</a> Screw, pan head (686) a3	<a href="#">Buy now</a>

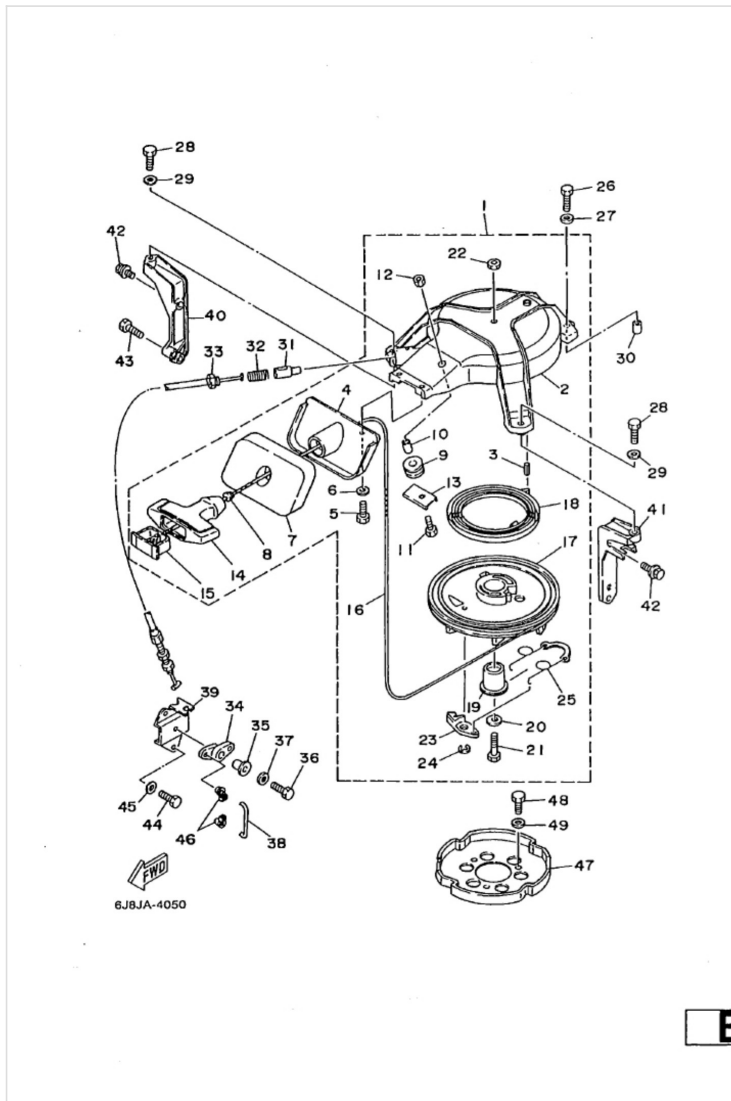
# Repair Kit2



Ref	Part	
2	<a href="#">6UB45114A1</a> Gasket, Upper Casing IRIRIE	<a href="#">Buy now</a>
4	<a href="#">66344315A0</a> Gasket,water pump 1 IRIE	<a href="#">Buy now</a>
6	<a href="#">oazioatoi2</a> O-Ring q 1	<a href="#">Buy now</a>
7	<a href="#">66344316A0</a> Gasket,water pump 2 IRIE	<a href="#">Buy now</a>
8	<a href="#">66344324A0</a> Gasket,cartridge outer plate IRIEIR	<a href="#">Buy now</a>
9	<a href="#">9321060MA3</a> O-ring(6j8) RIE	<a href="#">Buy now</a>
15	<a href="#">6634432000</a> Outer Plate, Cartridge IRIEIR	<a href="#">Buy now</a>
18	<a href="#">901190813</a> Bolt,	<a href="#">Buy now</a>
19	<a href="#">9011908M34</a> Bolt, with washer(6j8) 2  2  2  2	<a href="#">Buy now</a>
20	<a href="#">6H4WOO780A</a> Chrome Pump Kit IRIEIR	<a href="#">Buy now</a>
22	<a href="#">6704432100</a> Inner plate, cartridge HRIRIE	<a href="#">Buy now</a>
23	<a href="#">6704432300</a> Outer plate, cartridge 11  1	<a href="#">Buy now</a>

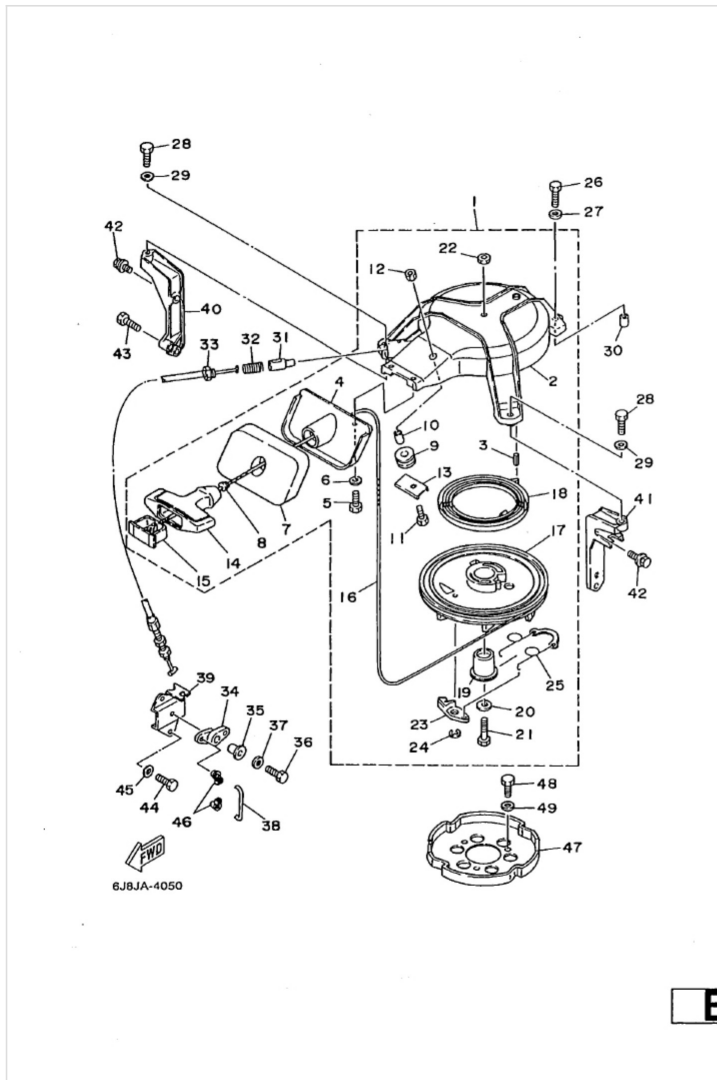


# Starter



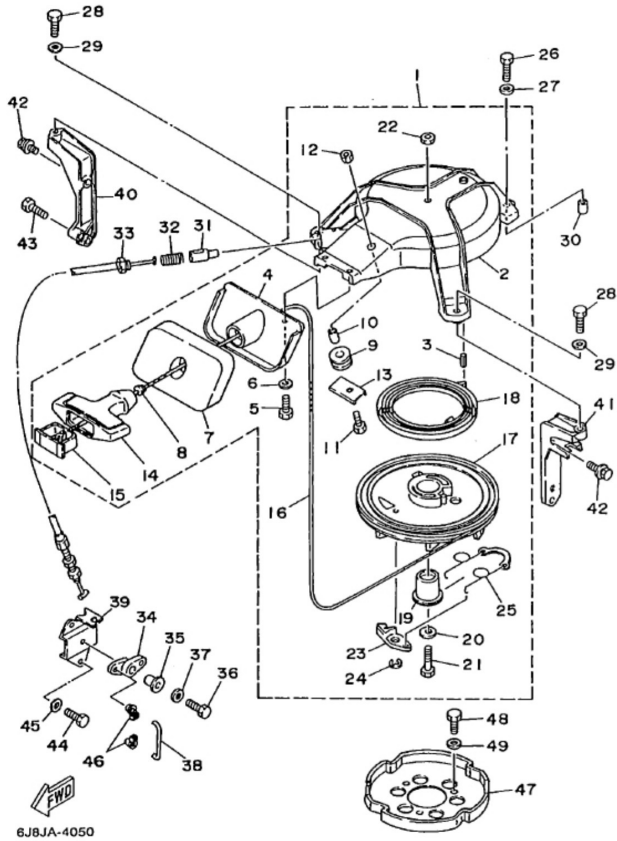
Ref	Part	
1	<a href="#">42</a> - 	<a href="#">Buy now</a>
1	<a href="#">8J815710024D</a> Starter assembly -	<a href="#">Buy now</a>
3	<a href="#">91690oaors</a> Omseang	<a href="#">Buy now</a>
5	<a href="#">6481576200</a> Seal, Rubber 2	<a href="#">Buy now</a>
5	<a href="#">9709506016</a> Bolt, hexagon deep recess 2  2	<a href="#">Buy now</a>
8	<a href="#">6A01578900</a> Damper	<a href="#">Buy now</a>
13	<a href="#">6J81578700</a> Adaptor	<a href="#">Buy now</a>
14	<a href="#">6801575501</a> Handle, Starter ia	<a href="#">Buy now</a>
15	<a href="#">6F51577902</a> Cover	<a href="#">Buy now</a>
23	<a href="#">6761574103</a> Pawl, drive	<a href="#">Buy now</a>
24	<a href="#">6J8-15705-00</a> Spring, drive pawl	<a href="#">Buy now</a>
24	<a href="#">9343006Mo02</a> Circlip (689)	<a href="#">Buy now</a>
26	<a href="#">2</a> N64-83510-00	<a href="#">Buy now</a>
?	<a href="#">o29</a> -	<a href="#">Buy now</a>
28	<a href="#">9709506025</a> Bolt 2  2	<a href="#">Buy now</a>

# Starter



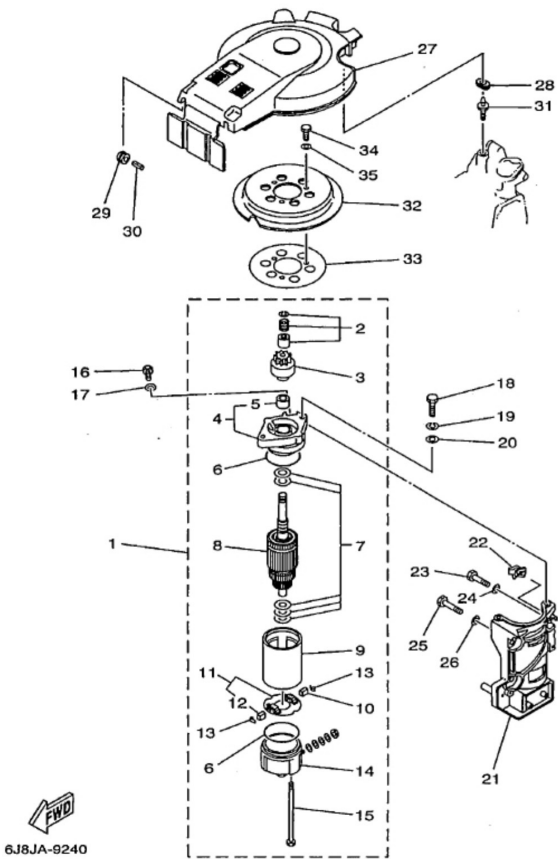
Ref	Part	
29	<a href="#">9299506600</a> Washer, plain (646) 2  2	<a href="#">Buy now</a>
30	<a href="#">9953010014</a> Pin, dowel	<a href="#">Buy now</a>
31	<a href="#">6561574800</a> Plunger, starter stop il	<a href="#">Buy now</a>
32	<a href="#">9050110227</a> Spring, comprhension(656) 1  1	<a href="#">Buy now</a>
33	<a href="#">6j81577000</a> Cable comp., starter stop if	<a href="#">Buy now</a>
34	<a href="#">6j81574601</a> Arm	<a href="#">Buy now</a>
35	<a href="#">9038706M29</a> Coller (6a0)	<a href="#">Buy now</a>
36	<a href="#">9700506025</a> Bolt il	<a href="#">Buy now</a>
38	<a href="#">6j81574700</a> Link	<a href="#">Buy now</a>
39	<a href="#">681677400</a> Stay4	<a href="#">Buy now</a>
40	<a href="#">6j8157710094</a> Stay 1 [IRIEL	<a href="#">Buy now</a>
41	<a href="#">608157720084</a> "Stay2 RIKER	<a href="#">Buy now</a>
42	<a href="#">9751306520</a> Bolt, with washer(61b) ala] 3a	<a href="#">Buy now</a>
43	<a href="#">9701306020</a> Bolt(62y) [RIKI	<a href="#">Buy now</a>
47	<a href="#">6081572300</a> Pulley, Starter	<a href="#">Buy now</a>

# Starter



Ref	Part	
48	<a href="#">9701308014</a> Bolt(692)	<a href="#">Buy now</a>
49	<a href="#">9290308600</a> Washer, plain (663)	<a href="#">Buy now</a>

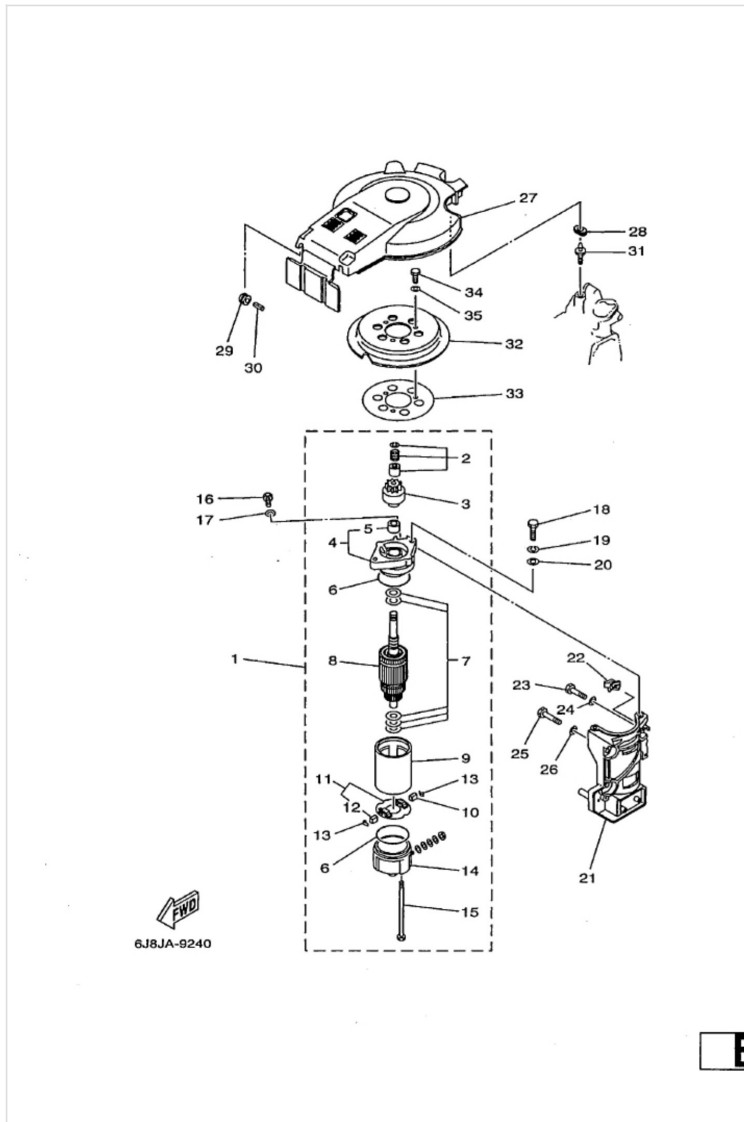
# Starting Motor



**E**

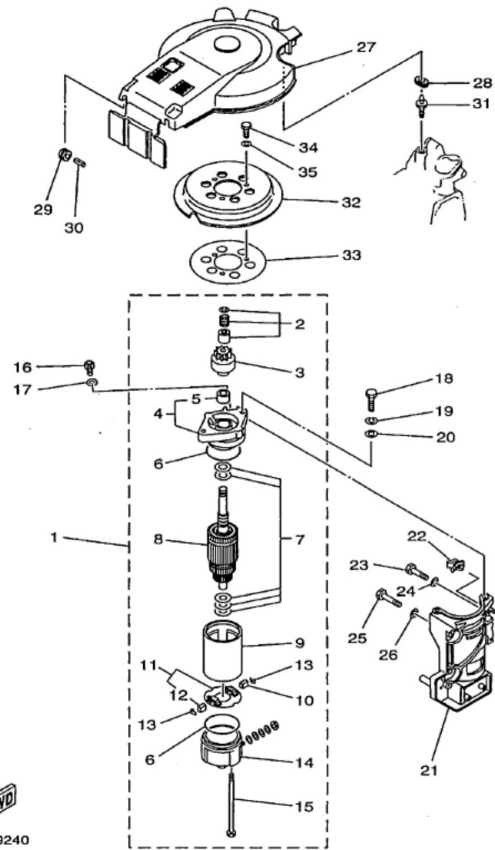
Ref	Part	
1	<a href="#">6F58180011</a> Starting motor assembly	<a href="#">Buy now</a>
2	<a href="#">6808185711</a> Pinion Stopper Set	<a href="#">Buy now</a>
3	<a href="#">6898180712</a> Pinion assembly	<a href="#">Buy now</a>
4	<a href="#">6F58183011</a> Front cover assembly	<a href="#">Buy now</a>
5	<a href="#">6898183100</a> Metal, front	<a href="#">Buy now</a>
7	<a href="#">6898180911</a> Washer kit	<a href="#">Buy now</a>
8	<a href="#">6898184711</a> O-ring	<a href="#">Buy now</a>
8	<a href="#">6898185012</a> Armature assembly	<a href="#">Buy now</a>
9	<a href="#">6898181011</a> Stator ass'y 1) 1	<a href="#">Buy now</a>
10	<a href="#">6898181111</a> Brush 1	<a href="#">Buy now</a>
11	<a href="#">6898184011</a> Brush holder assembly	<a href="#">Buy now</a>
12	<a href="#">6898181211</a> Brush 2	<a href="#">Buy now</a>
13	<a href="#">6898181310</a> Spring, brush 2) 2	<a href="#">Buy now</a>
14	<a href="#">6898182011</a> Rear cover ass'y	<a href="#">Buy now</a>
15	<a href="#">6898182610</a> Bolt 2) 2	<a href="#">Buy now</a>

# Starting Motor



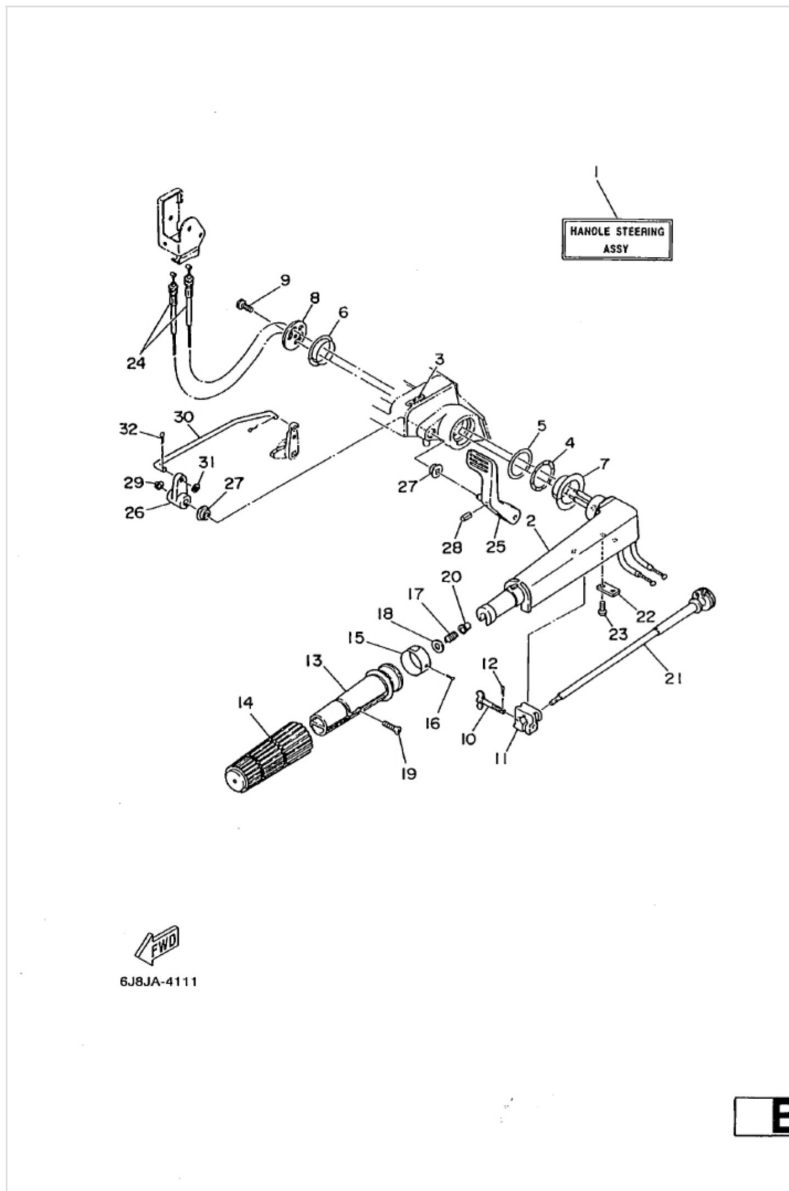
Ref	Part	
15	<a href="#">9701308016</a> Bolt, hexagon	<a href="#">Buy now</a>
20	<a href="#">9290308600</a> Washer, plain (663) 2) 2	<a href="#">Buy now</a>
18	<a href="#">9701308030</a> Bolt 2) 2	<a href="#">Buy now</a>
19	<a href="#">9290308100</a> Ybs67-8 washer, spring 2) 2	<a href="#">Buy now</a>
22	<a href="#">9046403M15</a> Clamp(6j8)	<a href="#">Buy now</a>
23	<a href="#">9701308035</a> Bolt 2) 2	<a href="#">Buy now</a>
25	<a href="#">8J8JA0240</a> Boulon	<a href="#">Buy now</a>
25	<a href="#">9701308055</a> Bolt, hexagon	<a href="#">Buy now</a>
27	<a href="#">G8133710</a> Cover, Flywheel	<a href="#">Buy now</a>
28	<a href="#">9048014M17</a> Grommet(6j8)	<a href="#">Buy now</a>
29	<a href="#">9048010M16</a> Grommet(6j8)	<a href="#">Buy now</a>
30	<a href="#">9169050022</a> Pin, spring (676)	<a href="#">Buy now</a>
31	<a href="#">6J88133800</a> Clamp, lead	<a href="#">Buy now</a>
32	<a href="#">6J815723E1</a> Pulley, starter	<a href="#">Buy now</a>
33	<a href="#">6J881365A0</a> Gasket, hole cover	<a href="#">Buy now</a>

# Starting Motor



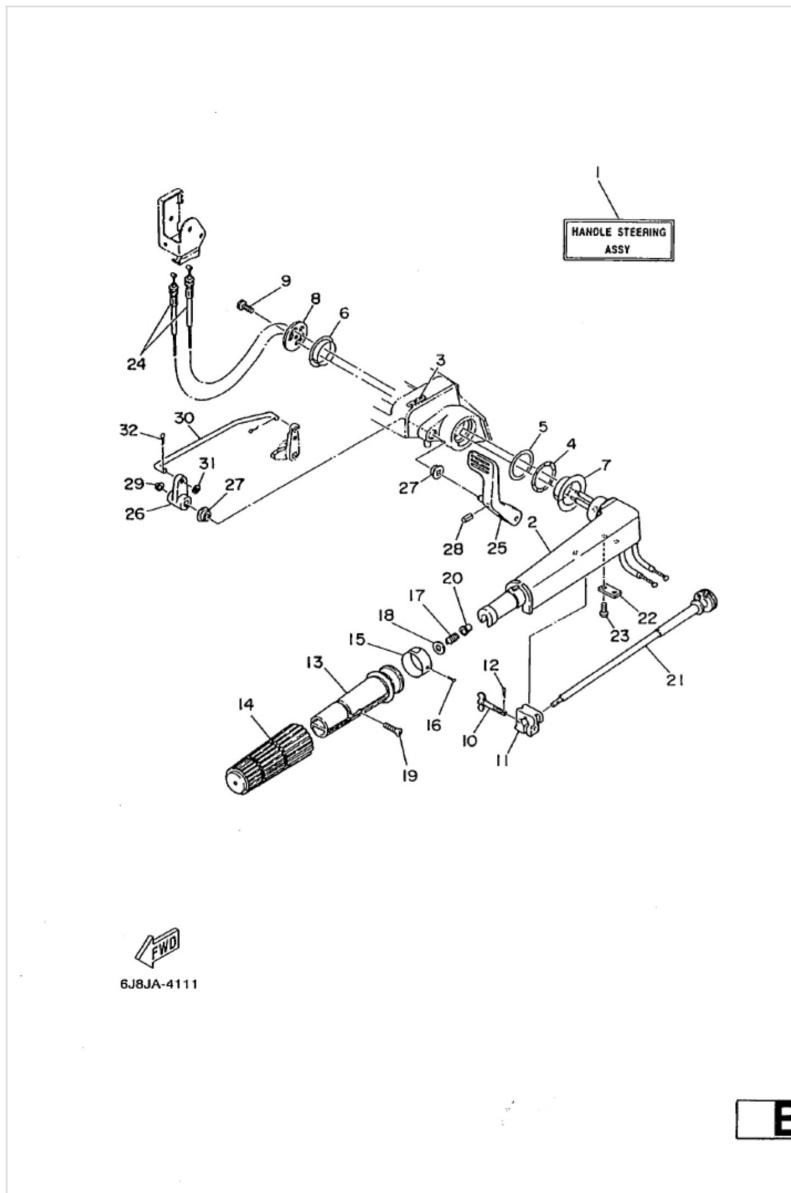
Ref	Part	
34	<a href="#">9701308014</a> Bolt(692)	<a href="#">Buy now</a>

# Steering



Ref	Part	
2	<a href="#"> </a> item_description	<a href="#">Buy now</a>
3	<a href="#">6E04419111</a> Indicator, shift	<a href="#">Buy now</a>
4	<a href="#">9020636M21</a> Washer, wave(63v)	<a href="#">Buy now</a>
6	<a href="#">9038633M96</a> Bush(63v)	<a href="#">Buy now</a>
7	<a href="#">9038634M97</a> Bush(63v)	<a href="#">Buy now</a>
8	<a href="#">6G14213101</a> Cover, handle steering	<a href="#">Buy now</a>
9	<a href="#">9709506020</a> Bolt(7u8)	<a href="#">Buy now</a>
10	<a href="#">6G14212501</a> Bolt, friction adjusting	<a href="#">Buy now</a>
11	<a href="#">6G14212600</a> Piece, friction	<a href="#">Buy now</a>
12	<a href="#">9149016010</a> Pin, cotter	<a href="#">Buy now</a>
13	<a href="#">6644211900</a> Grip, steering handle	<a href="#">Buy now</a>
18	<a href="#">9290310600</a> Washer, plate	<a href="#">Buy now</a>
19	<a href="#">9014905M13</a> Screw, countersunk	<a href="#">Buy now</a>
20	<a href="#">8038608032</a> Bush ptt	<a href="#">Buy now</a>
21	<a href="#">6G14213801</a> Lever, throttle	<a href="#">Buy now</a>

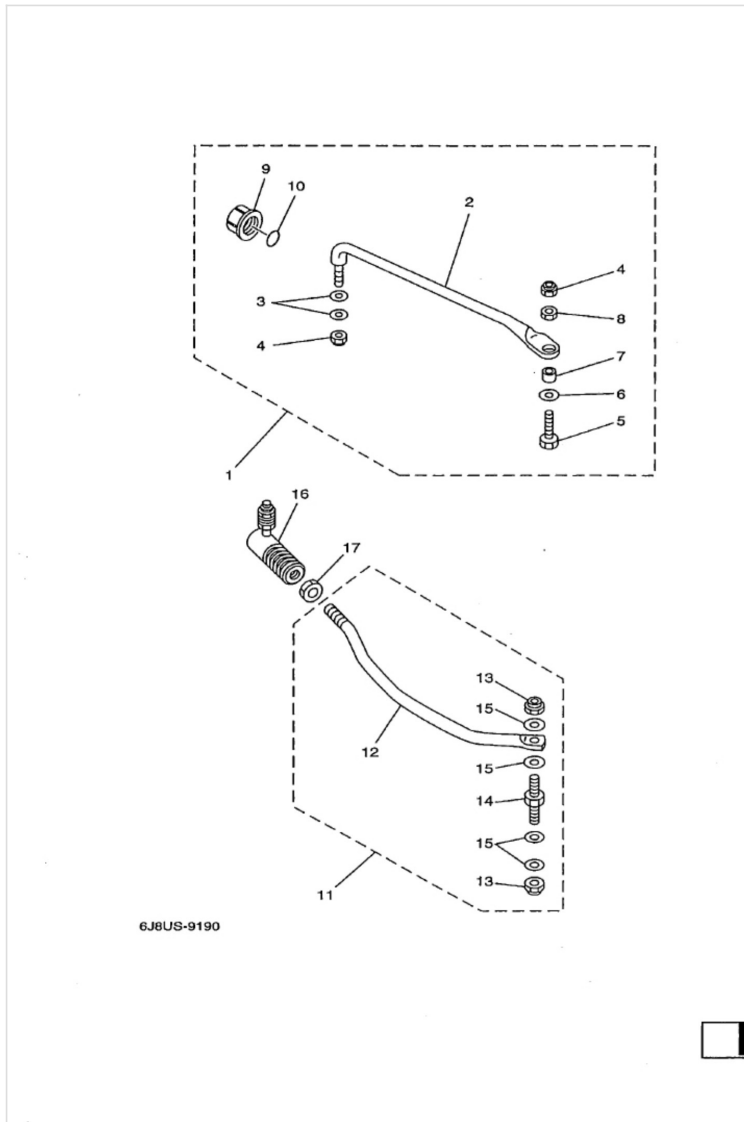
# Steering



Ref	Part	
22	<a href="#">6E04215902</a> Stay	<a href="#">Buy now</a>
23	<a href="#">9788505012</a> Screw, pan head (646)	<a href="#">Buy now</a>
23	<a href="#">SJBJAa111</a> 24 6J8-26301-00	<a href="#">Buy now</a>
25	<a href="#">6J844117014D</a> "Handle, Gear Shift I I	<a href="#">Buy now</a>
26	<a href="#">6J84412500</a> Lever, shift rod	<a href="#">Buy now</a>
1	<a href="#">27</a> -	<a href="#">Buy now</a>
28	<a href="#">9169030318</a> Pin, spring (6h3)	<a href="#">Buy now</a>
30	<a href="#">6J84412400</a> Link, shift rod	<a href="#">Buy now</a>
31	<a href="#">9299006200</a> Ybs66-6 washer, plain	<a href="#">Buy now</a>
32	<a href="#">9148020012</a> Pin, Cotter	<a href="#">Buy now</a>

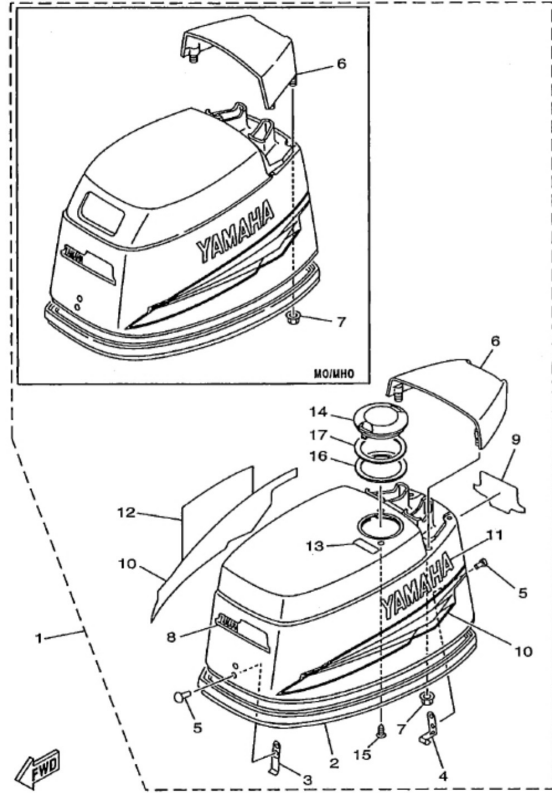


# Steering Guide



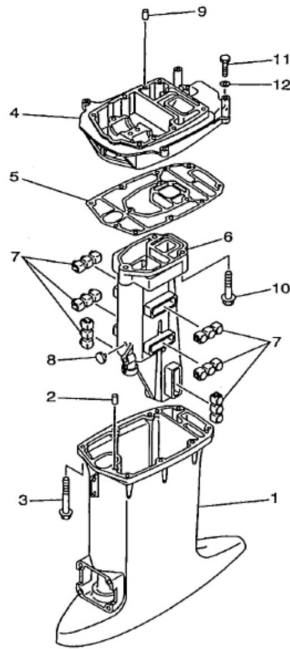
Ref	Part	
1	<a href="#">6896135002</a> Steering guide attachment kit	<a href="#">Buy now</a>
2	<a href="#">6896135101</a> Rod, steering	<a href="#">Buy now</a>
15	<a href="#">9020110M20</a> Washer, plate (663) 4) 4	<a href="#">Buy now</a>
4	<a href="#">9018509M01</a> Nut, nylon (663) 2) [22	<a href="#">Buy now</a>
5	<a href="#">9010109M86</a> -	<a href="#">Buy now</a>
6	<a href="#">9020110M63</a> Washer, plate	<a href="#">Buy now</a>
7	<a href="#">9038710M42</a> Collar (688)	<a href="#">Buy now</a>
8	<a href="#">9017009M03</a> Nut (689)	<a href="#">Buy now</a>
9	<a href="#">6E54314500</a> Cap, clamp bracket	<a href="#">Buy now</a>
10	<a href="#">9321016275</a> O-ring	<a href="#">Buy now</a>
11	<a href="#">6J86135010</a> Steering Guide Attachment Kit -	<a href="#">Buy now</a>
12	<a href="#">6J86135100</a> Rod, Steering Link	<a href="#">Buy now</a>
14	<a href="#">9011609M32</a> Bolt, Stud	<a href="#">Buy now</a>
16	<a href="#">A006146001</a> Ball Joint Assembly BRESE	<a href="#">Buy now</a>
17	<a href="#">9538010600</a> Nut(624)	<a href="#">Buy now</a>

# Top Cowling



Ref	Part	
1	<a href="#">!</a> item_description	<a href="#">Buy now</a>
1	<a href="#">14</a> D Om Te	<a href="#">Buy now</a>
1	<a href="#">6J842610144D</a> Top Cowling assembly	<a href="#">Buy now</a>
17	<a href="#">682173500</a> Seal2 ii	<a href="#">Buy now</a>

# Upper Casing



  
6J8US-9220

Ref	Part	
2	<a href="#">9360612019</a> Pin, dowel (614) 2  2  2  2	<a href="#">Buy now</a>
3	<a href="#">9011908M31</a> Bolt, with washer(6j8) 6  6 6 6	<a href="#">Buy now</a>
5	<a href="#">6J845114A1</a> Gasket, upper casing	<a href="#">Buy now</a>
6	<a href="#">6J8411310058</a> Manifold, Ext. { 111  1 [urso	<a href="#">Buy now</a>
7	<a href="#">6J81473700</a> Damper, muffler 6  6  6  6	<a href="#">Buy now</a>
8	<a href="#">9033807M00</a> Plug(6j8) HRIRIEI	<a href="#">Buy now</a>
9	<a href="#">93606-12019</a> Pin, dowel (614)	<a href="#">Buy now</a>
10	<a href="#">9757508550</a> Bolt, with washer	<a href="#">Buy now</a>
11	<a href="#">9707508030</a> Bolt, hexagon (fj1) 2  2  2  2	<a href="#">Buy now</a>
12	<a href="#">9299508600</a> Washer, plain (663) 2  2  2f 2	<a href="#">Buy now</a>

# Disclaimer

This document is provided for convenience only. It is **not** an official Yamaha publication and is **not supplied, endorsed, or approved** by Yamaha Motor Co., Ltd.

Reasonable efforts are made to keep information accurate; however diagrams, part references, supersessions, descriptions, and applicability may contain errors or omissions. Specifications and part availability may change without notice.

You are responsible for confirming the correct parts for your engine (including model code, year, serial range, and any superseded part numbers) before ordering or fitting.