



# Yamaha 40XMH 2011

## Parts Manual

[www.floodmarine.co.uk](http://www.floodmarine.co.uk)

+44 2882 246 539

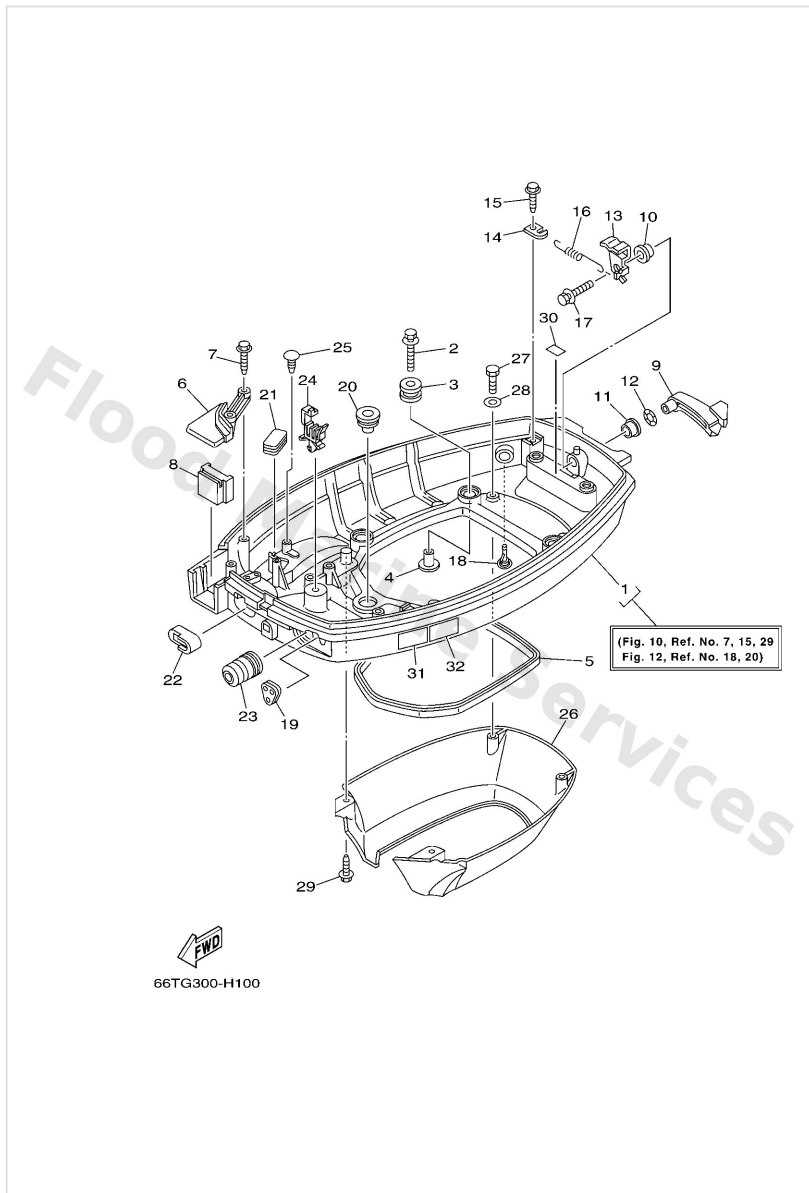
Authorised Yamaha Dealers



# Contents

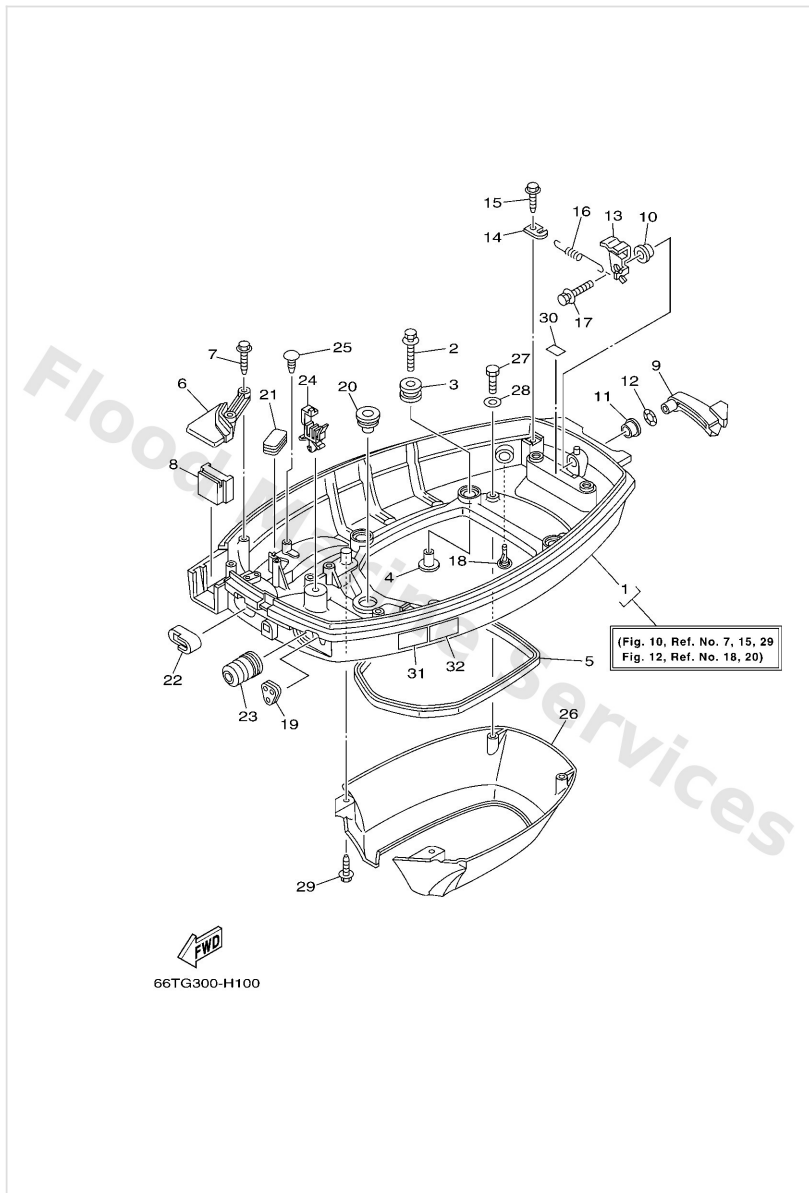
<b>BOTTOM COWLING</b> .....	3
<b>BRACKET 1</b> .....	6
<b>BRACKET 2</b> .....	10
<b>CARBURETOR</b> .....	12
<b>CONTROL</b> .....	14
<b>CRANKSHAFT &amp; PISTON</b> .....	16
<b>CYLINDER &amp; CRANKCASE</b> .....	18
<b>ELECTRICAL</b> .....	21
<b>FUEL</b> .....	23
<b>FUEL TANK</b> .....	26
<b>GENERATOR</b> .....	27
<b>INTAKE</b> .....	29
<b>LOWER CASING &amp; DRIVE 1</b> .....	31
<b>LOWER CASING &amp; DRIVE 2</b> .....	37
<b>OPTIONAL PARTS</b> .....	40
<b>REMO CON ATTACHMENT</b> .....	42
<b>REPAIR KIT 1</b> .....	43
<b>REPAIR KIT 2</b> .....	45
<b>REPAIR KIT 3</b> .....	47
<b>STARTER</b> .....	48
<b>STEERING</b> .....	51
<b>TOP COWLING</b> .....	54
<b>UPPER CASING</b> .....	55

# Bottom Cowling



Ref	Part	
1	<a href="#">66T42710014D</a> Bottom cowling assembly	<a href="#">Buy now</a>
2	<a href="#">9011906M61</a> Bolt, with washer	<a href="#">Buy now</a>
3	<a href="#">9048009M21</a> Grommet (6e9)	<a href="#">Buy now</a>
4	<a href="#">9038706035</a> Coller (6e9)	<a href="#">Buy now</a>
5	<a href="#">66T4271600</a> Rubber, seal 1	<a href="#">Buy now</a>
6	<a href="#">66T4273800CA</a> Plate, fitting	<a href="#">Buy now</a>
7	<a href="#">9010906M81</a> Bolt	<a href="#">Buy now</a>
8	<a href="#">66T4272500</a> Grommet	<a href="#">Buy now</a>
9	<a href="#">66T42815014D</a> Lever, clamp	<a href="#">Buy now</a>
10	<a href="#">9038612M37</a> Bushing (6f5)	<a href="#">Buy now</a>
11	<a href="#">9038612MA2</a> Bush	<a href="#">Buy now</a>
12	<a href="#">9020612052</a> Washer, wave (666)	<a href="#">Buy now</a>
13	<a href="#">66T4281600</a> Lever, clamp	<a href="#">Buy now</a>
14	<a href="#">66T4314400</a> Hook, spring	<a href="#">Buy now</a>
15	<a href="#">9010906M86</a> Bolt	<a href="#">Buy now</a>

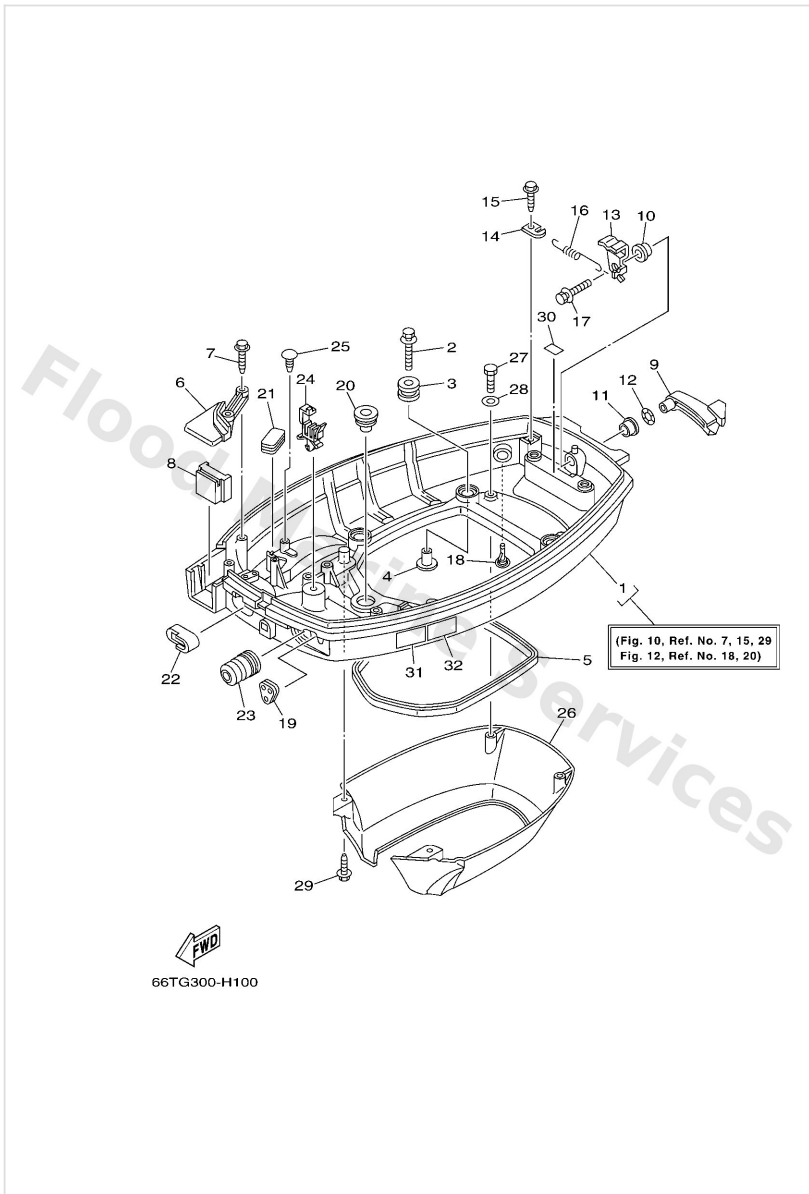
# Bottom Cowling



Ref	Part	
16	<a href="#">9050616M34</a> Spring, tension(64d)	<a href="#">Buy now</a>
17	<a href="#">9011906M73</a> Bolt(gh1)	<a href="#">Buy now</a>
18	<a href="#">6E54439100</a> Nipple, hose	<a href="#">Buy now</a>
19	<a href="#">65W2632600</a> Grommet	<a href="#">Buy now</a>
20	<a href="#">6764272700</a> Grommet 4	<a href="#">Buy now</a>
21	<a href="#">6H44272600</a> Grommet	<a href="#">Buy now</a>
22	<a href="#">66T2432900</a> Seal	<a href="#">Buy now</a>
23	<a href="#">65W4272600</a> Grommet	<a href="#">Buy now</a>
24	<a href="#">9046525M57</a> Clamp(63v)	<a href="#">Buy now</a>
25	<a href="#">9033805M03</a> Plug (6h1)	<a href="#">Buy now</a>
26	<a href="#">66T4274100</a> Apron	<a href="#">Buy now</a>
27	<a href="#">9709506016</a> Bolt, hexagon deep recess	<a href="#">Buy now</a>
28	<a href="#">9299506600</a> Washer, plain (646)	<a href="#">Buy now</a>
29	<a href="#">9010906M80</a> Bolt	<a href="#">Buy now</a>
30	<a href="#">6644279110</a> Mark 1	<a href="#">Buy now</a>

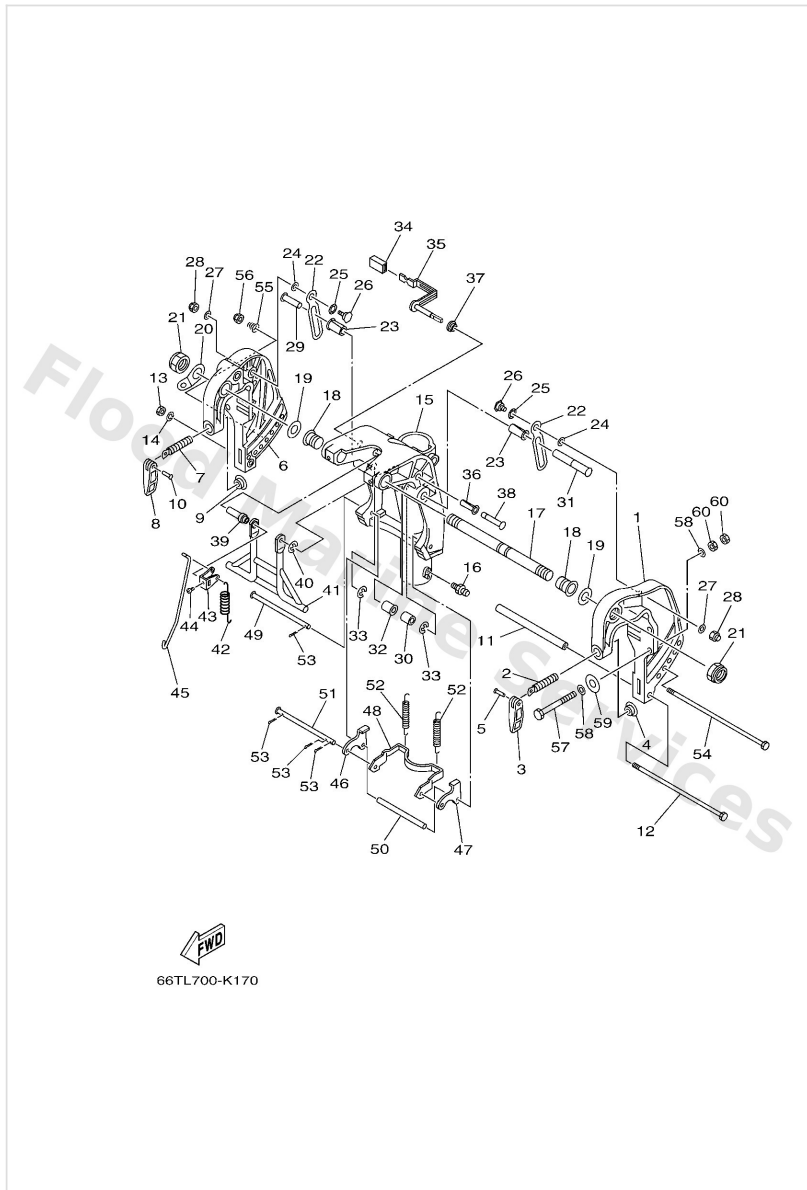


# Bottom Cowling



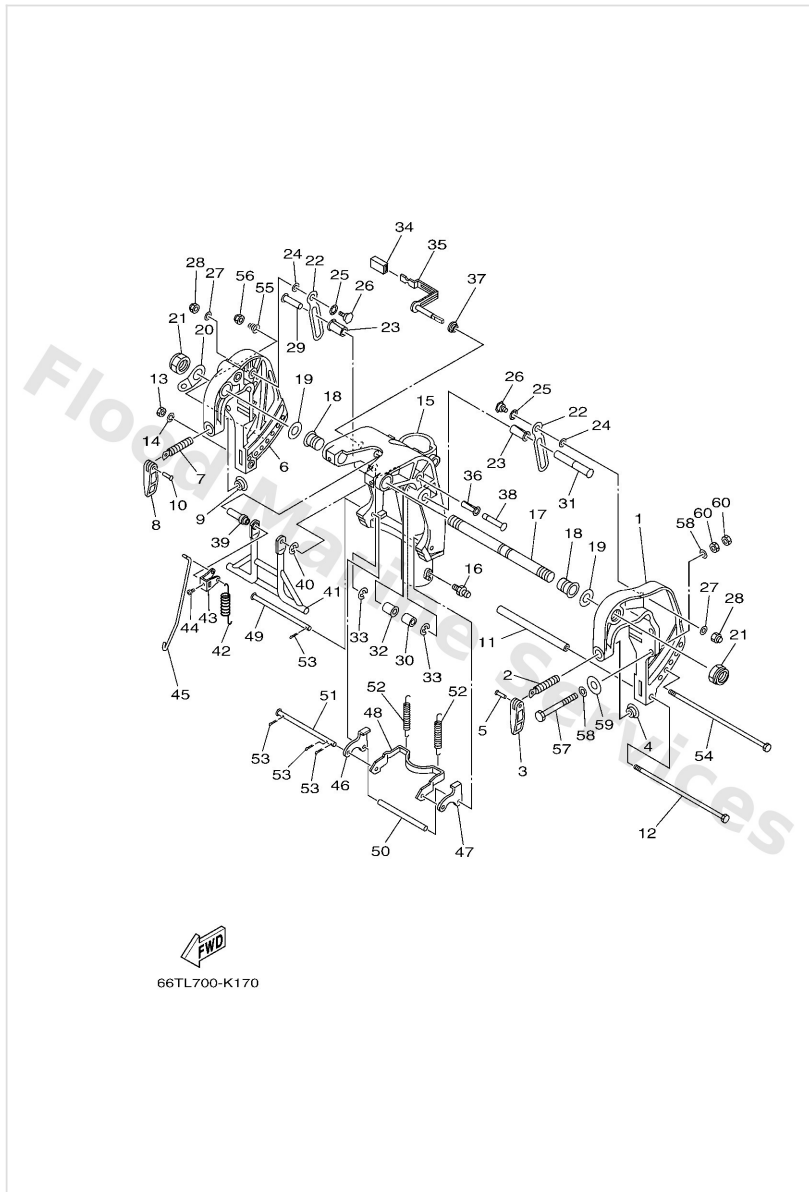
Ref	Part	
31	<a href="#">6AH4279440</a> Label, warning (ge)	<a href="#">Buy now</a>
32	<a href="#">6AH4279450</a> Label, warning (ge)	<a href="#">Buy now</a>

# Bracket 1



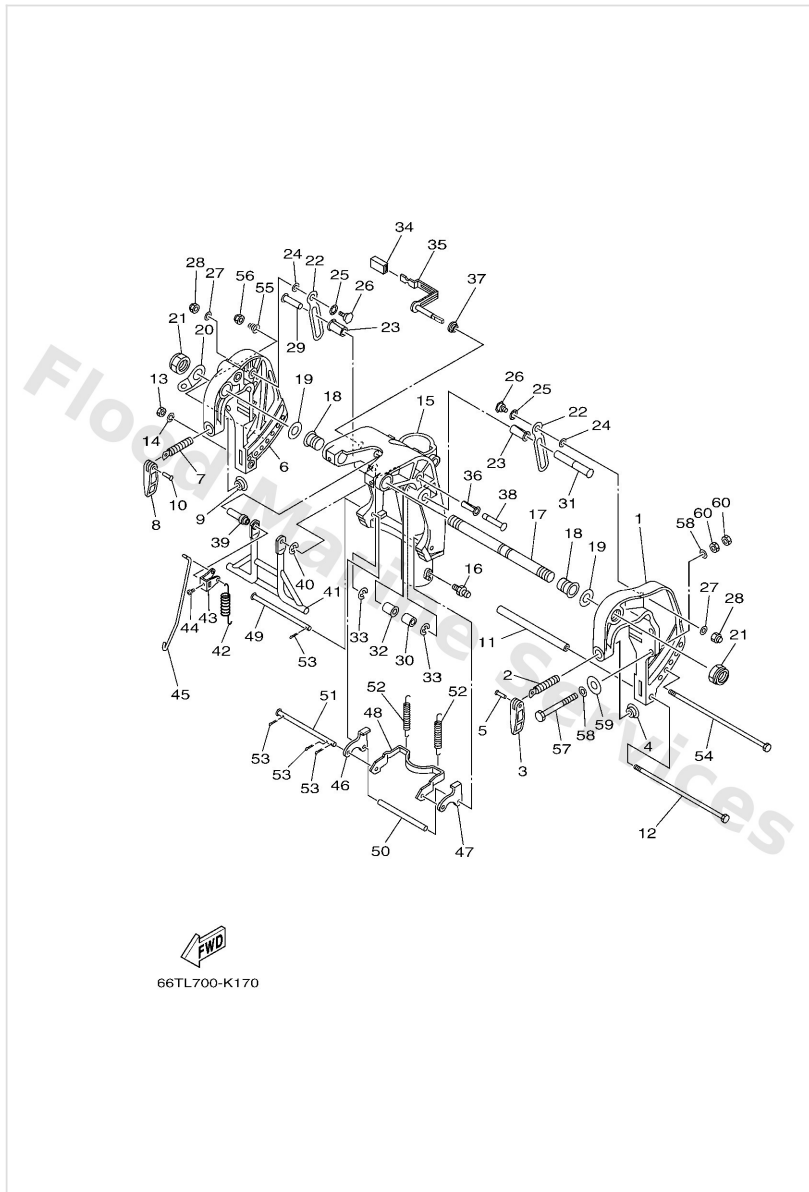
Ref	Part	
1	<a href="#">66T43111014D</a> Bracket, clamp 1	<a href="#">Buy now</a>
2	<a href="#">9014914M12</a> Screw(6h4)	<a href="#">Buy now</a>
3	<a href="#">66343118014D</a> Handle, transom clamp	<a href="#">Buy now</a>
4	<a href="#">6484311401</a> Pad, transom clamp	<a href="#">Buy now</a>
5	<a href="#">9024304007</a> Pin (663)	<a href="#">Buy now</a>
6	<a href="#">66T43112014D</a> Bracket, clamp 2	<a href="#">Buy now</a>
11	<a href="#">9038708M29</a> Collar	<a href="#">Buy now</a>
12	<a href="#">9010108M76</a> Bolt	<a href="#">Buy now</a>
13	<a href="#">9538008600</a> Nut (661)	<a href="#">Buy now</a>
14	<a href="#">9299008100</a> Ybs67-8 washer, spring	<a href="#">Buy now</a>
15	<a href="#">65W43311104D</a> Bracket, swivel 1 L(21.7")	<a href="#">Buy now</a>
16	<a href="#">9370006M03</a> Nipple, grease(6a1)	<a href="#">Buy now</a>
17	<a href="#">63D4313101</a> Bolt, clamp bracket	<a href="#">Buy now</a>
18	<a href="#">9038622M15</a> Bushing (688)	<a href="#">Buy now</a>
19	<a href="#">9020122M03</a> Washer, plate(64j)	<a href="#">Buy now</a>

# Bracket 1



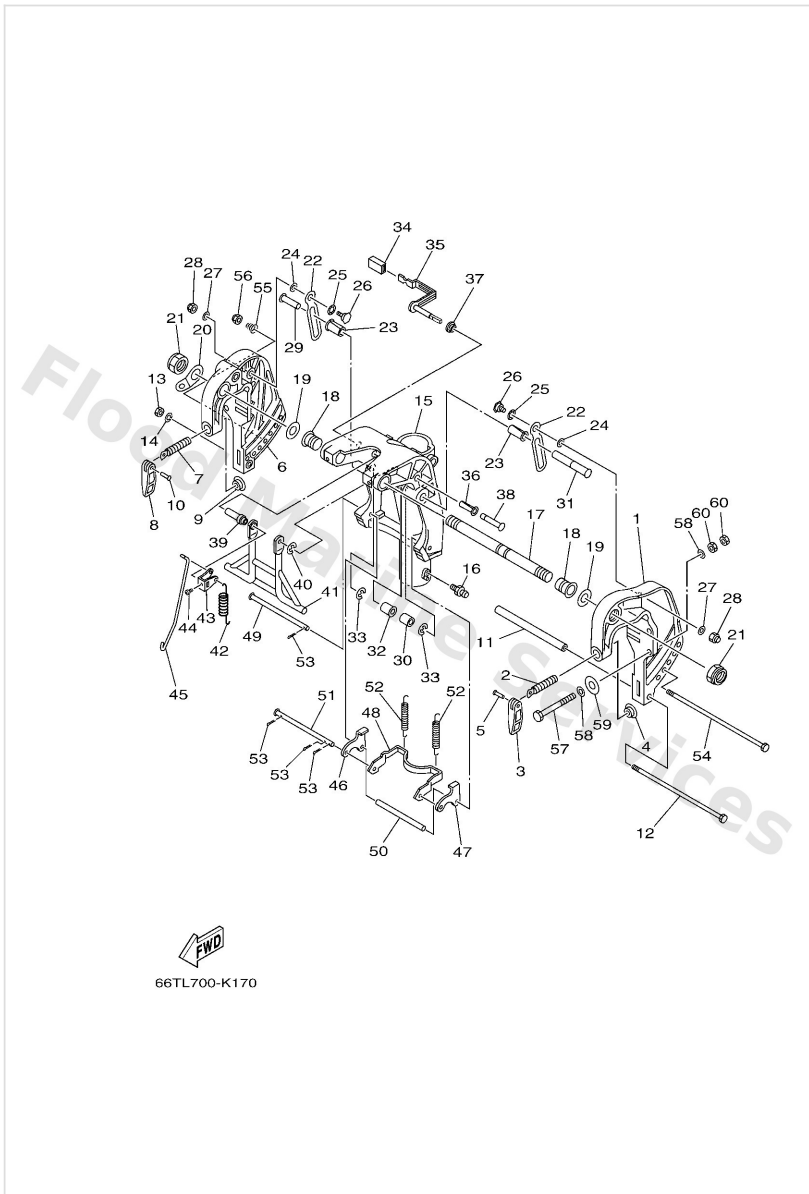
Ref	Part	
20	<a href="#">6J84311301</a> Plate, clamp bracket	<a href="#">Buy now</a>
21	<a href="#">9018522043</a> Nut, self-locking	<a href="#">Buy now</a>
22	<a href="#">66T4362700</a> Stopper	<a href="#">Buy now</a>
23	<a href="#">9038612M98</a> Bush	<a href="#">Buy now</a>
24	<a href="#">9020212031</a> Washer, plate 6484412600	<a href="#">Buy now</a>
25	<a href="#">9020612M00</a> Washer, wave (676)	<a href="#">Buy now</a>
26	<a href="#">9010908M90</a> Bolt	<a href="#">Buy now</a>
27	<a href="#">9020108M07</a> Washer, plate	<a href="#">Buy now</a>
28	<a href="#">9018508057</a> Nut, nylon (6j8)	<a href="#">Buy now</a>
29	<a href="#">9024912M34</a> Pin	<a href="#">Buy now</a>
30	<a href="#">9038712M04</a> Collar	<a href="#">Buy now</a>
31	<a href="#">9024912M39</a> Pin	<a href="#">Buy now</a>
32	<a href="#">9038612MA0</a> Bush, solid	<a href="#">Buy now</a>
33	<a href="#">9908010600</a> Circlip	<a href="#">Buy now</a>
34	<a href="#">6824331801</a> Cover	<a href="#">Buy now</a>

# Bracket 1



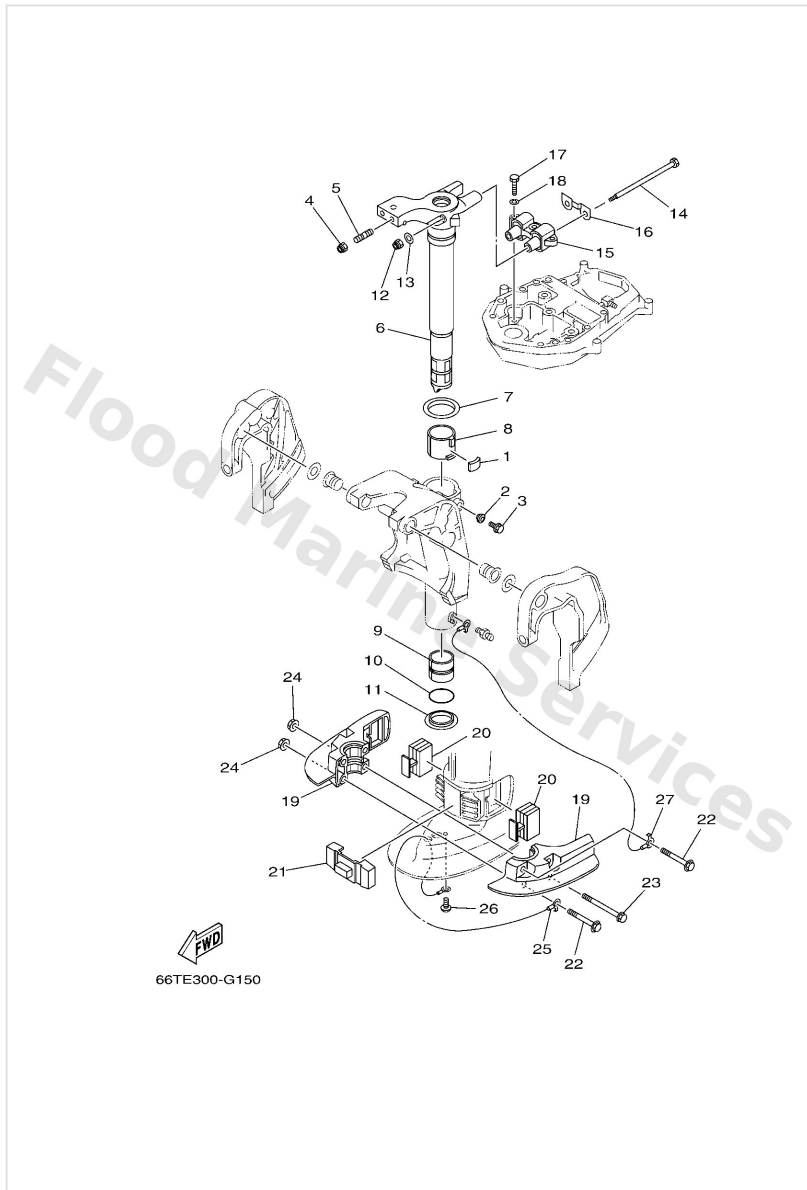
Ref	Part	
35	<a href="#">65W4363011</a> Tilt lever assembly	<a href="#">Buy now</a>
36	<a href="#">9038610M99</a> Bush	<a href="#">Buy now</a>
37	<a href="#">9038607MA2</a> Bush	<a href="#">Buy now</a>
38	<a href="#">9024910M31</a> Pin	<a href="#">Buy now</a>
39	<a href="#">9038707M05</a> Collar	<a href="#">Buy now</a>
40	<a href="#">9908008600</a> Circlip	<a href="#">Buy now</a>
41	<a href="#">66T4335002</a> Receiver assembly	<a href="#">Buy now</a>
42	<a href="#">9050620M37</a> Spring, tension	<a href="#">Buy now</a>
43	<a href="#">66T4363111</a> Lever, tilt	<a href="#">Buy now</a>
44	<a href="#">9015705014</a> Screw, pan head	<a href="#">Buy now</a>
45	<a href="#">65W4361600</a> Rod, tilt lock	<a href="#">Buy now</a>
46	<a href="#">65W4361401</a> Plate, tilt lock	<a href="#">Buy now</a>
47	<a href="#">65W4361501</a> Plate, tilt lock	<a href="#">Buy now</a>
48	<a href="#">65W4361300</a> Arm, tilt lock	<a href="#">Buy now</a>
49	<a href="#">9024907M32</a> Pin	<a href="#">Buy now</a>

# Bracket 1



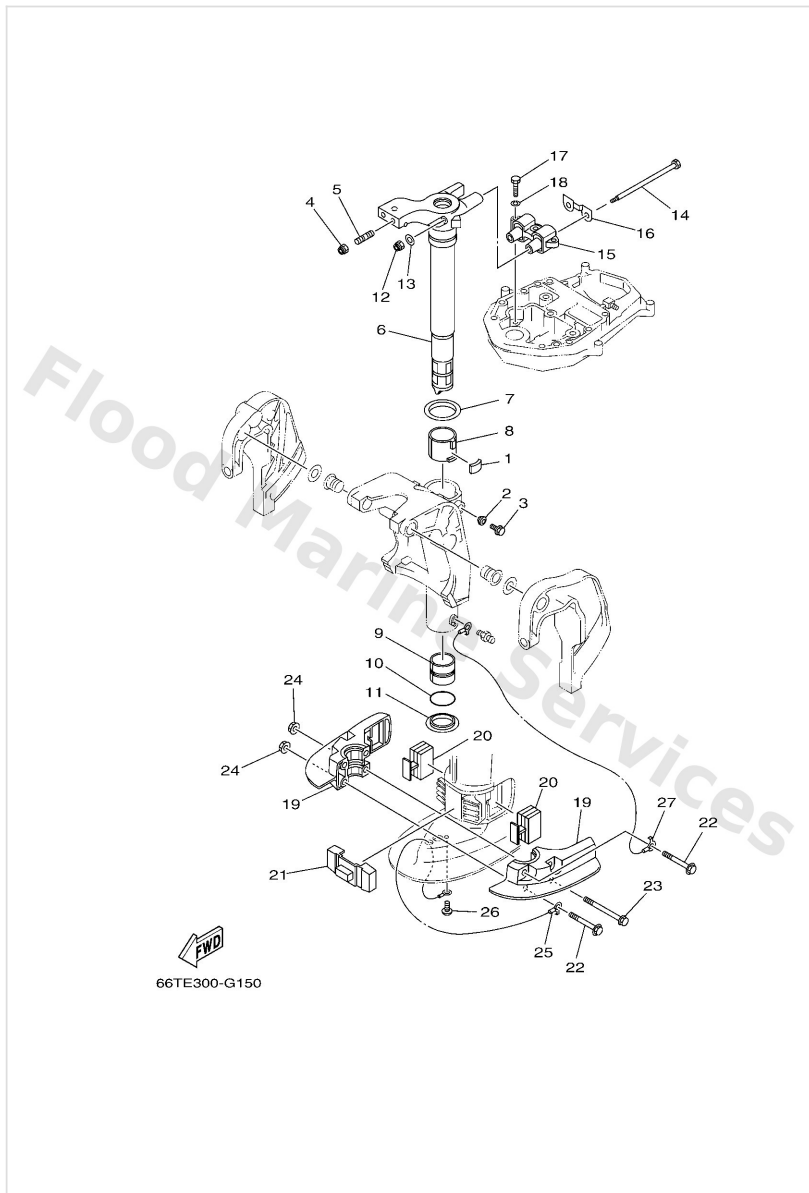
Ref	Part	
50	<a href="#">9038707M29</a> Collar	<a href="#">Buy now</a>
51	<a href="#">9024907M33</a> Pin	<a href="#">Buy now</a>
52	<a href="#">9050630M00</a> Spring, tension (676)	<a href="#">Buy now</a>
53	<a href="#">9149020012</a> Pin, cotter (648)	<a href="#">Buy now</a>
54	<a href="#">9010108M28</a> Bolt	<a href="#">Buy now</a>
55	<a href="#">9050210M06</a> Spring, conical(6g1)	<a href="#">Buy now</a>
57	<a href="#">9010110M58</a> Bolt	<a href="#">Buy now</a>
58	<a href="#">9299510600</a> Washer, plate	<a href="#">Buy now</a>
59	<a href="#">9020112426</a> Washer, plate(663)	<a href="#">Buy now</a>
60	<a href="#">9538010600</a> Nut(624)	<a href="#">Buy now</a>

## Bracket 2



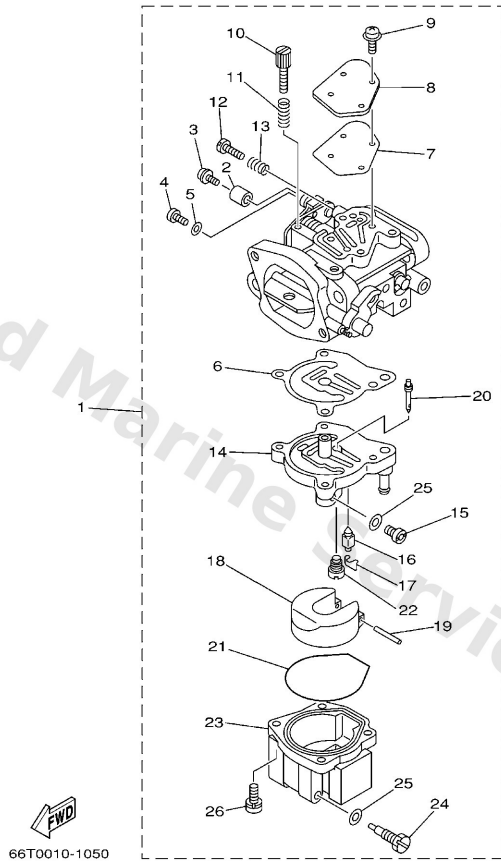
Ref	Part	
1	<a href="#">6484252800</a> Plate, friction	<a href="#">Buy now</a>
2	<a href="#">65W4337300</a> Seal, damper	<a href="#">Buy now</a>
3	<a href="#">9010508M76</a> Bolt, washer based	<a href="#">Buy now</a>
4	<a href="#">9018510051</a> Nut, self-locking	<a href="#">Buy now</a>
5	<a href="#">9011610M28</a> Bolt, stud	<a href="#">Buy now</a>
6	<a href="#">65W42511114D</a> Bracket, steering L(21.7")	<a href="#">Buy now</a>
7	<a href="#">9020952M00</a> Washer (676)	<a href="#">Buy now</a>
8	<a href="#">9038652M02</a> Bushing (676)	<a href="#">Buy now</a>
9	<a href="#">9038644M03</a> Bushing (676)	<a href="#">Buy now</a>
10	<a href="#">9321043MJ0</a> O-ring	<a href="#">Buy now</a>
11	<a href="#">9038644M99</a> Bush	<a href="#">Buy now</a>
12	<a href="#">9018508045</a> Nut, self-locking	<a href="#">Buy now</a>
13	<a href="#">9299508200</a> Ybs66-8 washer, plain	<a href="#">Buy now</a>
14	<a href="#">9010108M86</a> Bolt (6h4)	<a href="#">Buy now</a>
15	<a href="#">66T44514004D</a> Mount damper, upper side	<a href="#">Buy now</a>

## Bracket 2



Ref	Part	
16	<a href="#">66T4452600</a> Plate	<a href="#">Buy now</a>
17	<a href="#">9707508030</a> Bolt, hexagon (fj1)	<a href="#">Buy now</a>
18	<a href="#">9299508100</a> Ybs67-8 washer, spring	<a href="#">Buy now</a>
19	<a href="#">65W44551004D</a> Housing, lower mount rubber 1	<a href="#">Buy now</a>
20	<a href="#">65W4455510</a> Mount damper, lower side	<a href="#">Buy now</a>
21	<a href="#">66T4457500</a> Damper, lower mount rubber	<a href="#">Buy now</a>
22	<a href="#">9757510570</a> Bolt, hexagon w/w deep recess	<a href="#">Buy now</a>
23	<a href="#">9011910M04</a> Bolt, with washer	<a href="#">Buy now</a>
24	<a href="#">9017910M33</a> Nut	<a href="#">Buy now</a>
25	<a href="#">66T8212710</a> Wire, lead 2	<a href="#">Buy now</a>
26	<a href="#">9788506008</a> Screw, pan head(6a3)	<a href="#">Buy now</a>
27	<a href="#">66T8212700</a> Wire, lead 2 L(21.7")	<a href="#">Buy now</a>

# Carburetor

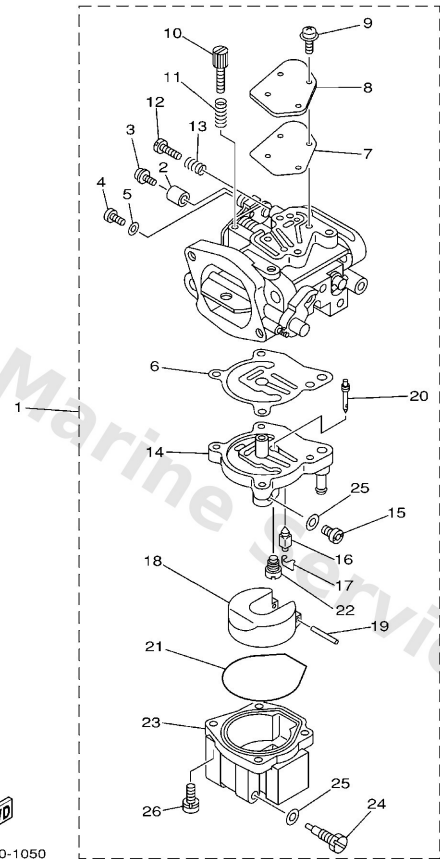


66T0010-1050

Ref	Part	
1	<a href="#">66T1430102</a> Carburetor assembly 1	<a href="#">Buy now</a>
2	<a href="#">66T1457800</a> Collar	<a href="#">Buy now</a>
3	<a href="#">66T1458400</a> Stopper	<a href="#">Buy now</a>
4	<a href="#">6J81459201</a> Screw	<a href="#">Buy now</a>
5	<a href="#">9299005600</a> Washer, plain (646)	<a href="#">Buy now</a>
6	<a href="#">66T1438401</a> Gasket, float chamber	<a href="#">Buy now</a>
7	<a href="#">66T1453601</a> Gasket	<a href="#">Buy now</a>
8	<a href="#">66T1452700</a> Plate	<a href="#">Buy now</a>
9	<a href="#">9798004112</a> Screw, pan head (686)	<a href="#">Buy now</a>
10	<a href="#">66T1452300</a> Screw, stop	<a href="#">Buy now</a>
11	<a href="#">6J81433400</a> Spring, throttle	<a href="#">Buy now</a>
12	<a href="#">6E51432303</a> Screw, air adjusting	<a href="#">Buy now</a>
13	<a href="#">6E51422300</a> Spring, air adjusting	<a href="#">Buy now</a>
14	<a href="#">66T1494502</a> Spacer assembly (#38)	<a href="#">Buy now</a>
15	<a href="#">61A1492E85</a> Jet, main (#170)	<a href="#">Buy now</a>

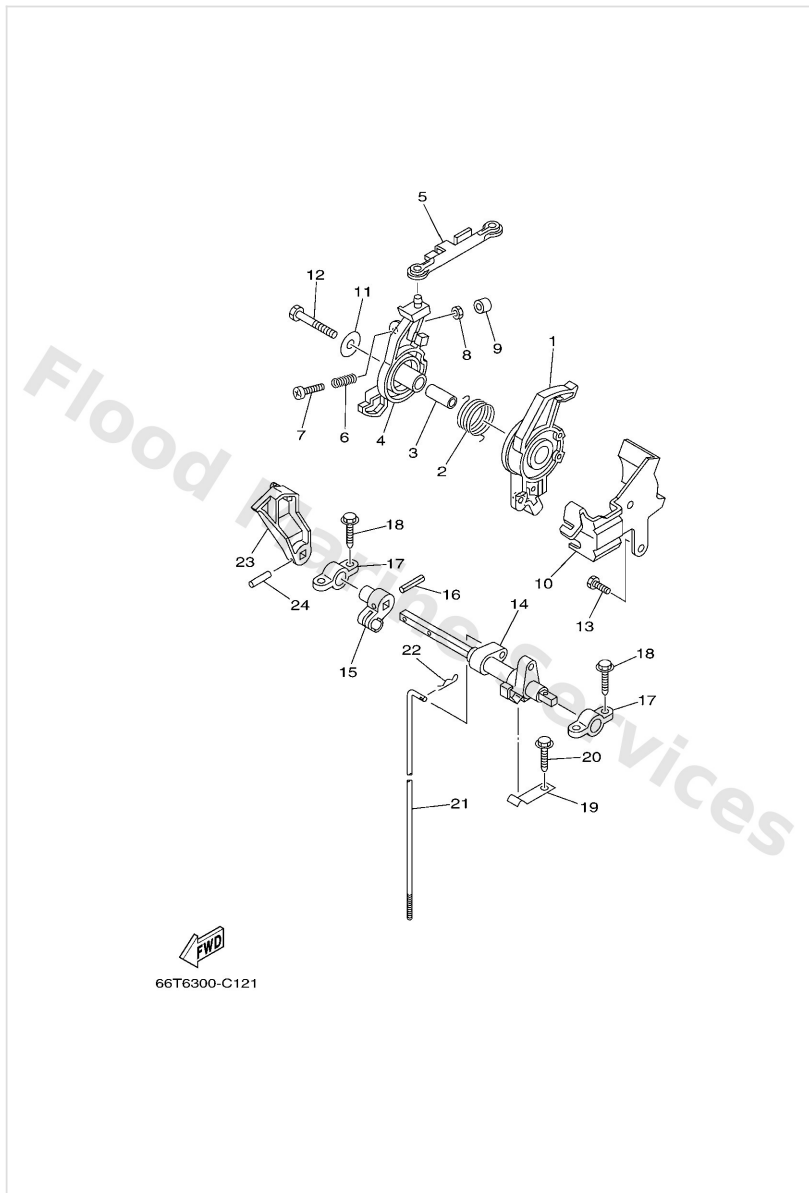


# Carburetor



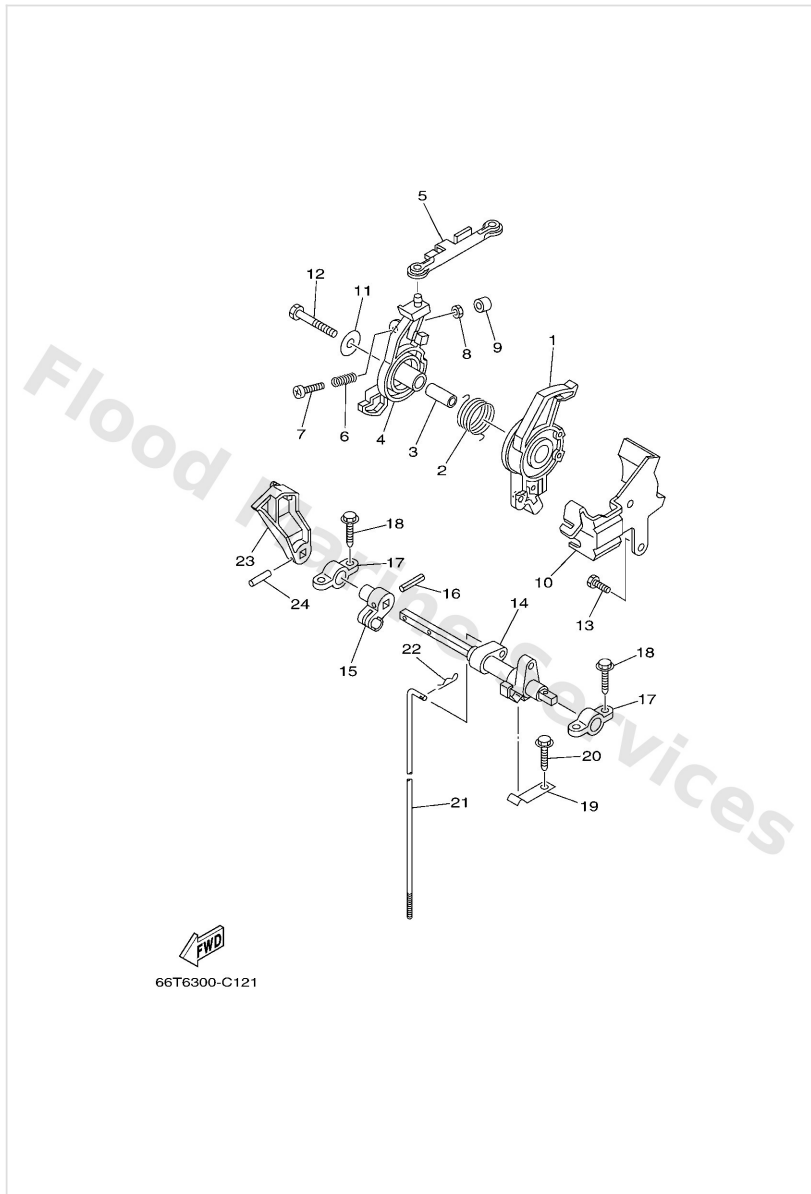
Ref	Part	
16	<a href="#">6E51454600</a> Valve, needle	<a href="#">Buy now</a>
17	<a href="#">6E51415900</a> Clip	<a href="#">Buy now</a>
18	<a href="#">6E51438502</a> Float	<a href="#">Buy now</a>
19	<a href="#">6E51438602</a> Pin, float	<a href="#">Buy now</a>
20	<a href="#">66T1492F35</a> Jet, air slow (#70)	<a href="#">Buy now</a>
21	<a href="#">66T1498400</a> Gasket, float chamber	<a href="#">Buy now</a>
22	<a href="#">66T1499200</a> Plug	<a href="#">Buy now</a>
23	<a href="#">66T1498100</a> Body, float chamber	<a href="#">Buy now</a>
24	<a href="#">66T1499100</a> Plug, drain	<a href="#">Buy now</a>
25	<a href="#">66T1495900</a> Gasket	<a href="#">Buy now</a>
26	<a href="#">9798005125</a> Screw, panhead (a93)	<a href="#">Buy now</a>

# Control



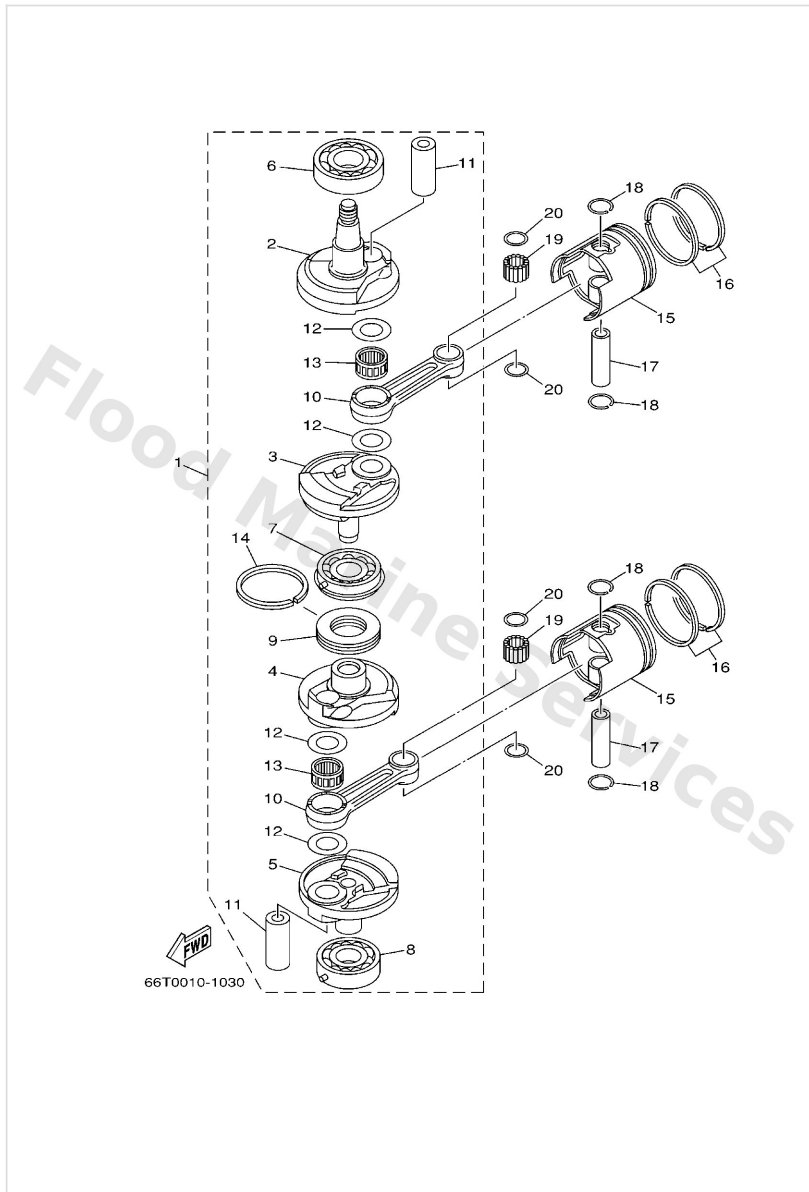
Ref	Part	
1	<a href="#">66T4163800</a> Pulley	<a href="#">Buy now</a>
2	<a href="#">66T4216700</a> Spring 1	<a href="#">Buy now</a>
3	<a href="#">9038708M16</a> Collar	<a href="#">Buy now</a>
4	<a href="#">66T4163101</a> Lever, magneto control	<a href="#">Buy now</a>
5	<a href="#">66T4123700</a> Joint, link	<a href="#">Buy now</a>
6	<a href="#">9050110M84</a> Spring, compression	<a href="#">Buy now</a>
7	<a href="#">9788006035</a> Screw, pan head(6h4)	<a href="#">Buy now</a>
8	<a href="#">9538006700</a> Nut	<a href="#">Buy now</a>
9	<a href="#">6884419400</a> Cap	<a href="#">Buy now</a>
10	<a href="#">66T1449700</a> Stay, throttle wire	<a href="#">Buy now</a>
11	<a href="#">9020108M54</a> Washer, plate (6e5)	<a href="#">Buy now</a>
12	<a href="#">9709508045</a> Bolt, hexagon	<a href="#">Buy now</a>
13	<a href="#">9709506014</a> Bolt(gj3)	<a href="#">Buy now</a>
14	<a href="#">66T4412100</a> Lever, shift rod	<a href="#">Buy now</a>
15	<a href="#">66M4412200</a> Bushing, shift rod lever	<a href="#">Buy now</a>

# Control



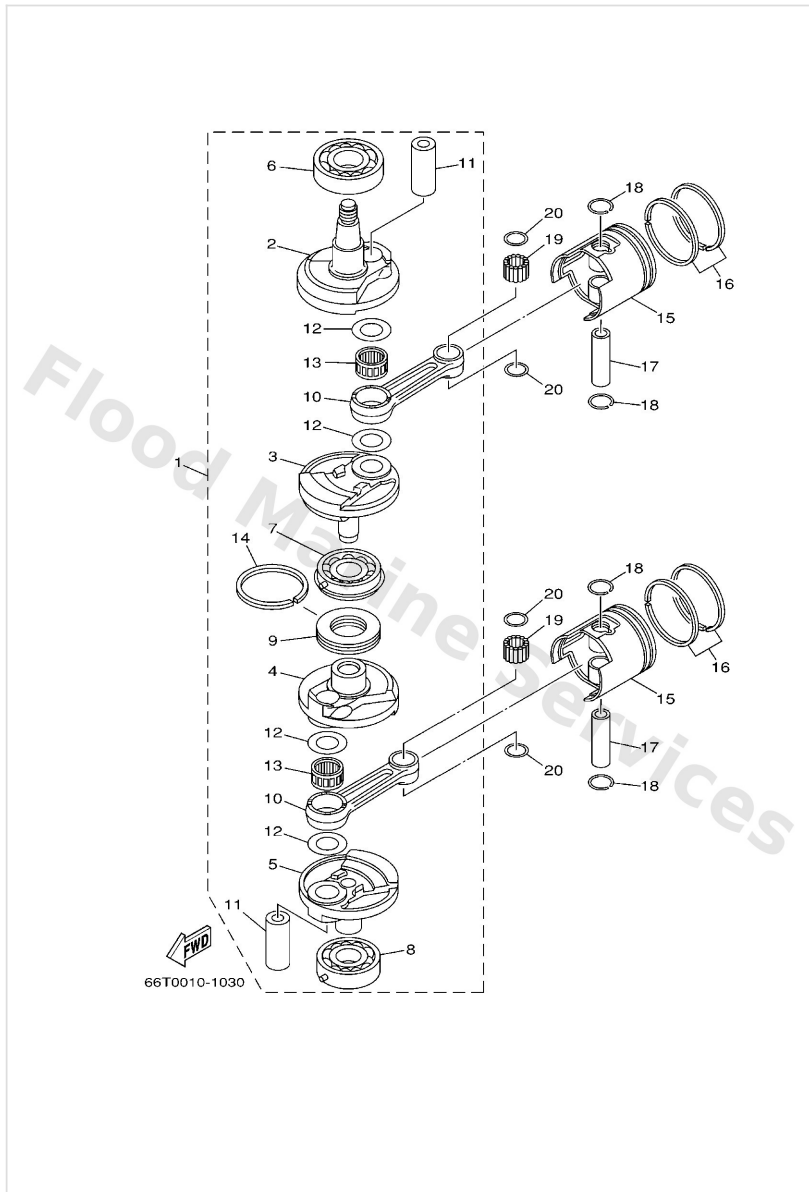
Ref	Part	
16	<a href="#">9025403M05</a> Pin, spring	<a href="#">Buy now</a>
17	<a href="#">6F54166200</a> Bracket 2	<a href="#">Buy now</a>
18	<a href="#">9010906M81</a> Bolt	<a href="#">Buy now</a>
19	<a href="#">6824411601</a> Spring	<a href="#">Buy now</a>
20	<a href="#">9010906M80</a> Bolt	<a href="#">Buy now</a>
21	<a href="#">66T4414310</a> Rod, shift L(21.7")	<a href="#">Buy now</a>
22	<a href="#">9149016012</a> Pin, cotter (e57)	<a href="#">Buy now</a>
23	<a href="#">66T4412501</a> Lever, shift rod	<a href="#">Buy now</a>
24	<a href="#">9025403M04</a> Pin, spring (6h3)	<a href="#">Buy now</a>

# Crankshaft & Piston



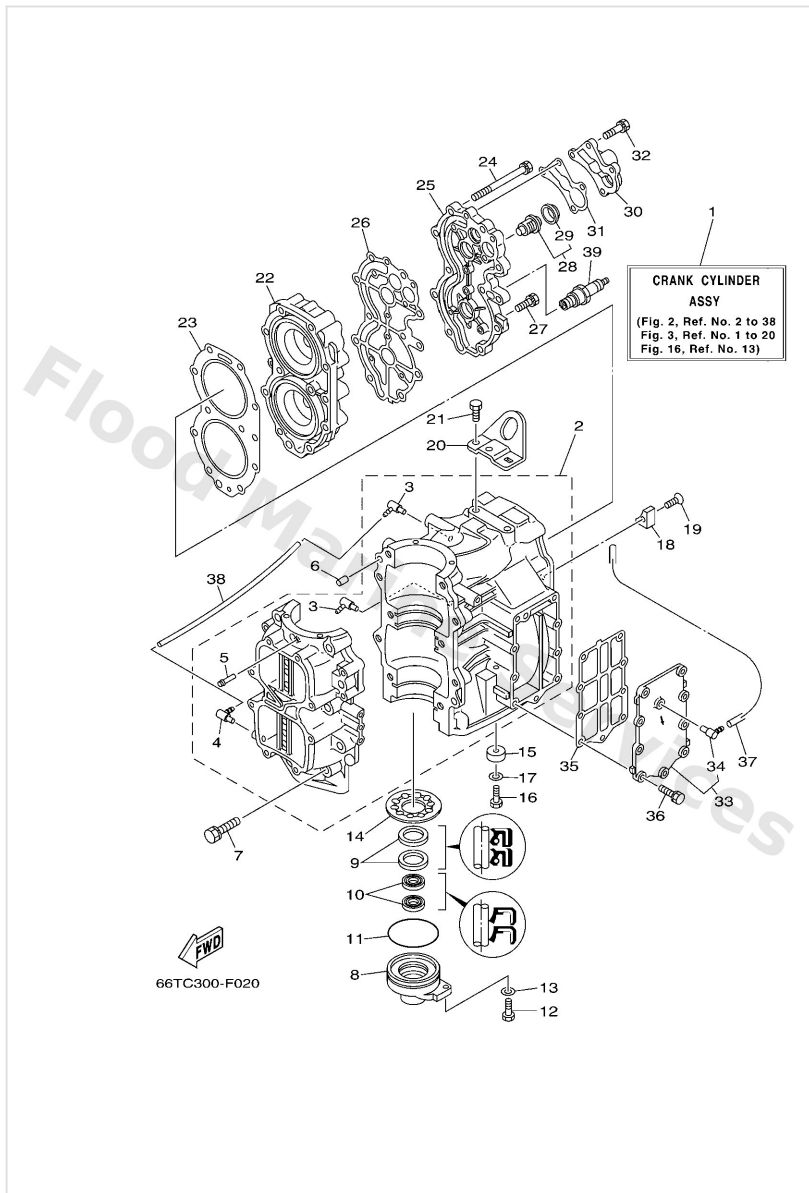
Ref	Part	
1	<a href="#">66T1140001</a> Crankshaft assembly	<a href="#">Buy now</a>
2	<a href="#">66T1141200</a> Crank 1	<a href="#">Buy now</a>
3	<a href="#">66T1142200</a> Crank 2	<a href="#">Buy now</a>
4	<a href="#">66T1143200</a> Crank 3	<a href="#">Buy now</a>
5	<a href="#">66T1144200</a> Crank 4	<a href="#">Buy now</a>
6	<a href="#">93306307U0</a> Brg,r-b 6307 80mm 449g (6f5)	<a href="#">Buy now</a>
7	<a href="#">93332000UE</a> Bearing	<a href="#">Buy now</a>
8	<a href="#">93306306V5</a> Bearing	<a href="#">Buy now</a>
9	<a href="#">6F51151500</a> Seal, labyrinth 1	<a href="#">Buy now</a>
10	<a href="#">6F51165100</a> Rod, connecting	<a href="#">Buy now</a>
11	<a href="#">66T1168100</a> Pin, crank 1	<a href="#">Buy now</a>
12	<a href="#">9020927012</a> Washer	<a href="#">Buy now</a>
13	<a href="#">93310727U0</a> Bearing	<a href="#">Buy now</a>
14	<a href="#">9344068M03</a> Circlip (6f5)	<a href="#">Buy now</a>
15	<a href="#">66T116310193</a> Piston (std)	<a href="#">Buy now</a>

# Crankshaft & Piston



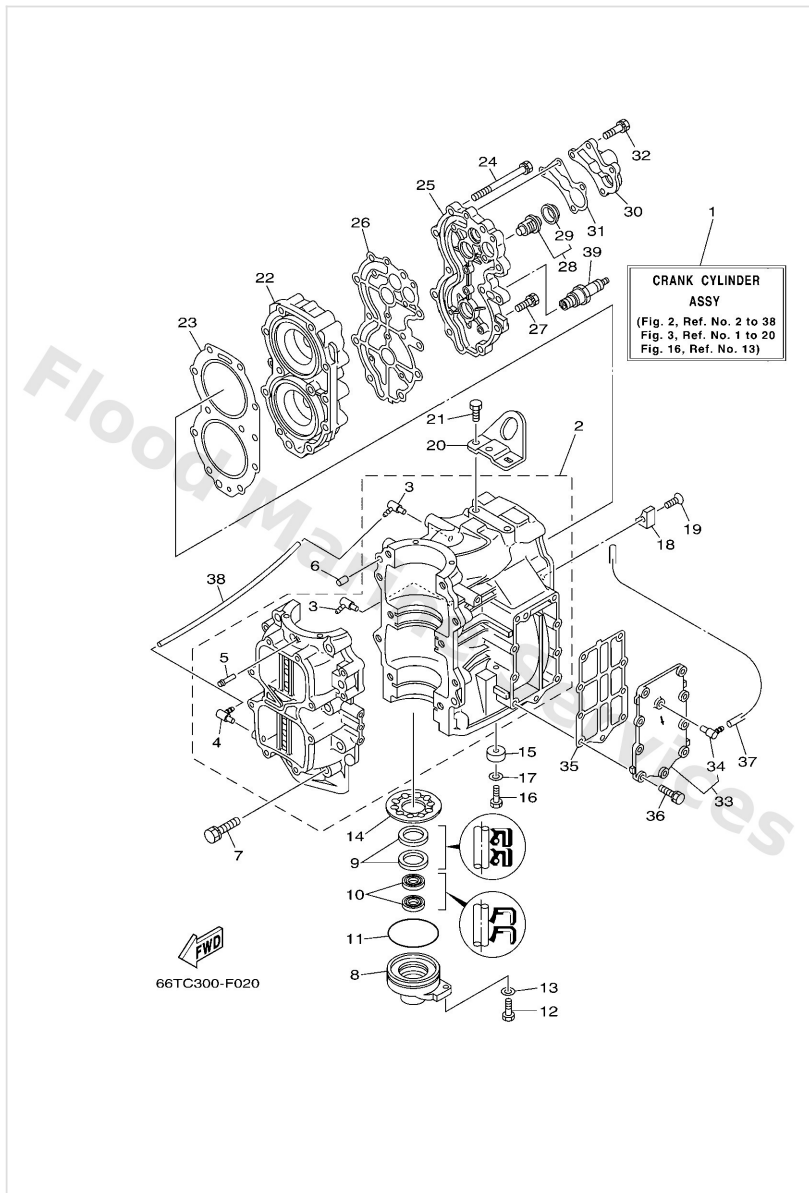
Ref	Part	
15	<a href="#">66T1163501</a> Piston (0.25mm o/s) AP	<a href="#">Buy now</a>
15	<a href="#">66T1163601</a> Piston (0.50mm o/s) AP	<a href="#">Buy now</a>
16	<a href="#">66T1160300</a> Piston ring set (std)	<a href="#">Buy now</a>
16	<a href="#">66T1160400</a> Piston ring set (0.25mm o/s) AP	<a href="#">Buy now</a>
16	<a href="#">66T1160500</a> Piston ring set (0.50mm o/s) AP	<a href="#">Buy now</a>
17	<a href="#">6F51163300</a> Pin, piston	<a href="#">Buy now</a>
18	<a href="#">6631163400</a> Clip, piston pin	<a href="#">Buy now</a>
19	<a href="#">9360321111</a> Pin, dowel(663)	<a href="#">Buy now</a>
20	<a href="#">9020120417</a> Washer, plate(663)	<a href="#">Buy now</a>

# Cylinder & Crankcase



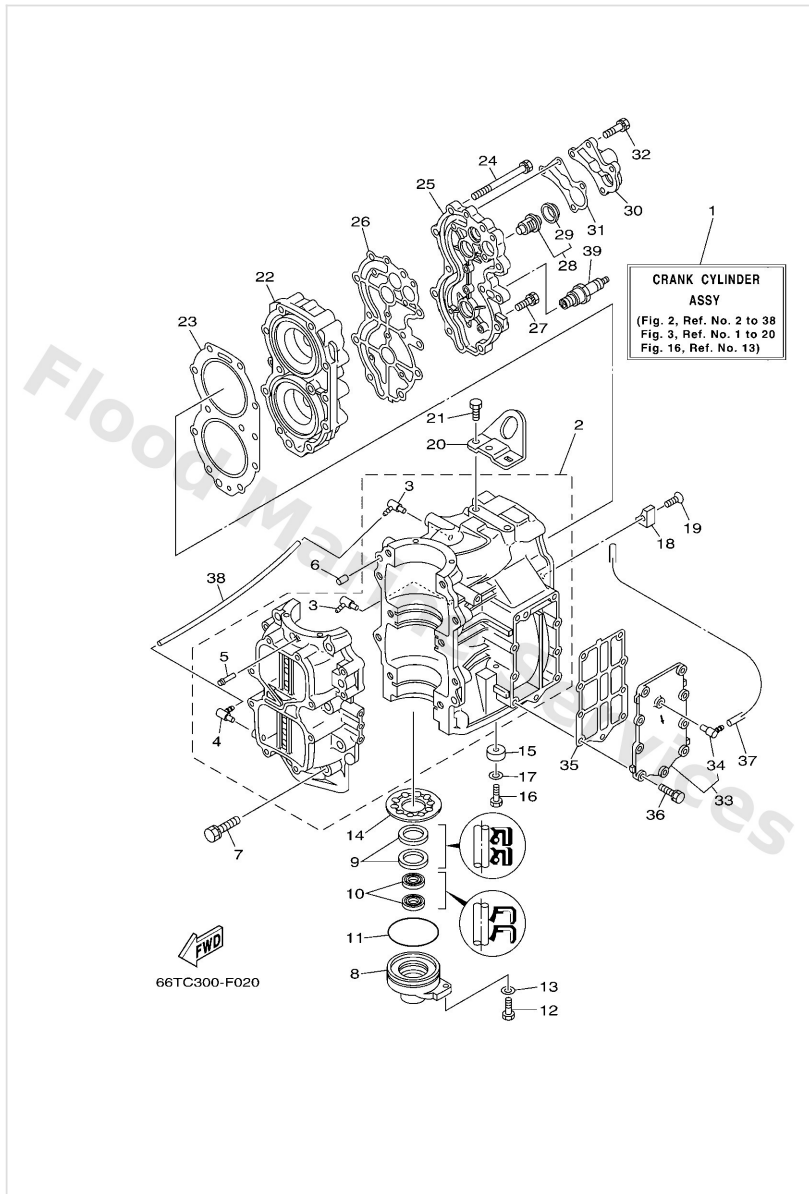
Ref	Part	
1	<a href="#">66TW0090021S</a> Crank cylinder assembly	<a href="#">Buy now</a>
2	<a href="#">66T1510002</a> Crankcase assembly	<a href="#">Buy now</a>
3	<a href="#">6E51355201</a> Nozzle	<a href="#">Buy now</a>
5	<a href="#">6241448500</a> Pipe, joint	<a href="#">Buy now</a>
6	<a href="#">9360812063</a> Pin, dowel (626)	<a href="#">Buy now</a>
7	<a href="#">9011910005</a> Bolt, with washer	<a href="#">Buy now</a>
8	<a href="#">66T1539601CA</a> Housing, oil seal	<a href="#">Buy now</a>
9	<a href="#">9310230M56</a> Oil seal	<a href="#">Buy now</a>
10	<a href="#">9310116001</a> Oil seal	<a href="#">Buy now</a>
11	<a href="#">9321065M50</a> O-ring	<a href="#">Buy now</a>
12	<a href="#">9709506020</a> Bolt(7u8)	<a href="#">Buy now</a>
13	<a href="#">9299506600</a> Washer, plain (646)	<a href="#">Buy now</a>
14	<a href="#">66T1156500</a> Washer, bearing cover	<a href="#">Buy now</a>
15	<a href="#">6764525100</a> Anode	<a href="#">Buy now</a>
18	<a href="#">6761132500</a> Anode	<a href="#">Buy now</a>

# Cylinder & Crankcase



Ref	Part	
19	<a href="#">9014106M00</a> Screw, countersunk	<a href="#">Buy now</a>
20	<a href="#">66T1111900</a> Hanger, engine	<a href="#">Buy now</a>
21	<a href="#">9010108002</a> Bolt	<a href="#">Buy now</a>
22	<a href="#">66T1111011S</a> Head, cylinder 1	<a href="#">Buy now</a>
23	<a href="#">66T11181A3</a> Gasket, cylinder head 1	<a href="#">Buy now</a>
24	<a href="#">9011908MA5</a> Bolt, with washer	<a href="#">Buy now</a>
25	<a href="#">66T11191001S</a> Cover, cylinder head 1	<a href="#">Buy now</a>
26	<a href="#">66T11193A3</a> Gasket, head cover 1	<a href="#">Buy now</a>
27	<a href="#">9011906MA3</a> Bolt, with washer	<a href="#">Buy now</a>
28	<a href="#">6E51241102</a> Thermostat	<a href="#">Buy now</a>
29	<a href="#">6E51241200</a> Seal, thermostat	<a href="#">Buy now</a>
30	<a href="#">67612413001S</a> Cover, thermostat	<a href="#">Buy now</a>
31	<a href="#">67612414A1</a> Gasket, cover	<a href="#">Buy now</a>
32	<a href="#">9011906MA5</a> Bolt, with washer	<a href="#">Buy now</a>
33	<a href="#">66T41113001S</a> Outer cover, exhaust	<a href="#">Buy now</a>

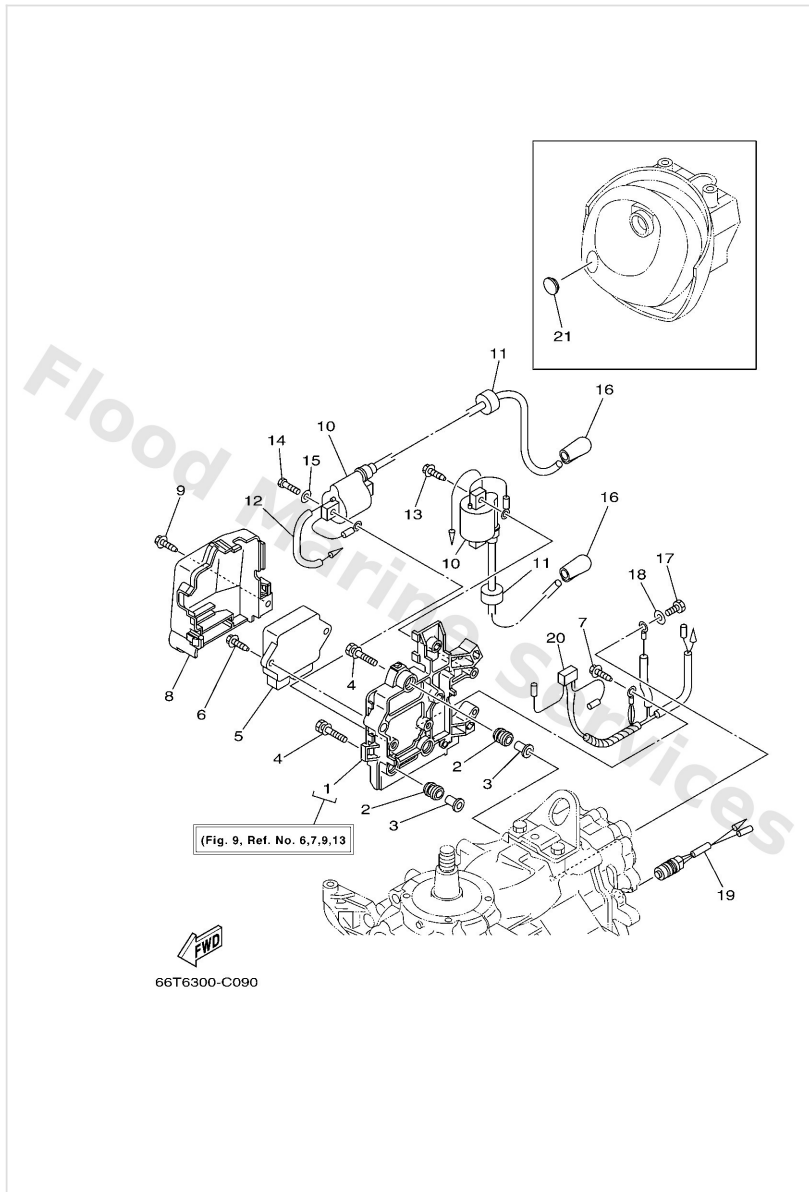
# Cylinder & Crankcase



Ref	Part	
34	<a href="#">6761137200</a> Nipple, hose	<a href="#">Buy now</a>
35	<a href="#">66T41114A0</a> Gasket, exhaust outer cover	<a href="#">Buy now</a>
37	<a href="#">9044509M75</a> Hose (I1500)	<a href="#">Buy now</a>
38	<a href="#">9044507M08</a> Hose (I390)	<a href="#">Buy now</a>
39	<a href="#">9470200272</a> Plug, spark (br7hs)	<a href="#">Buy now</a>

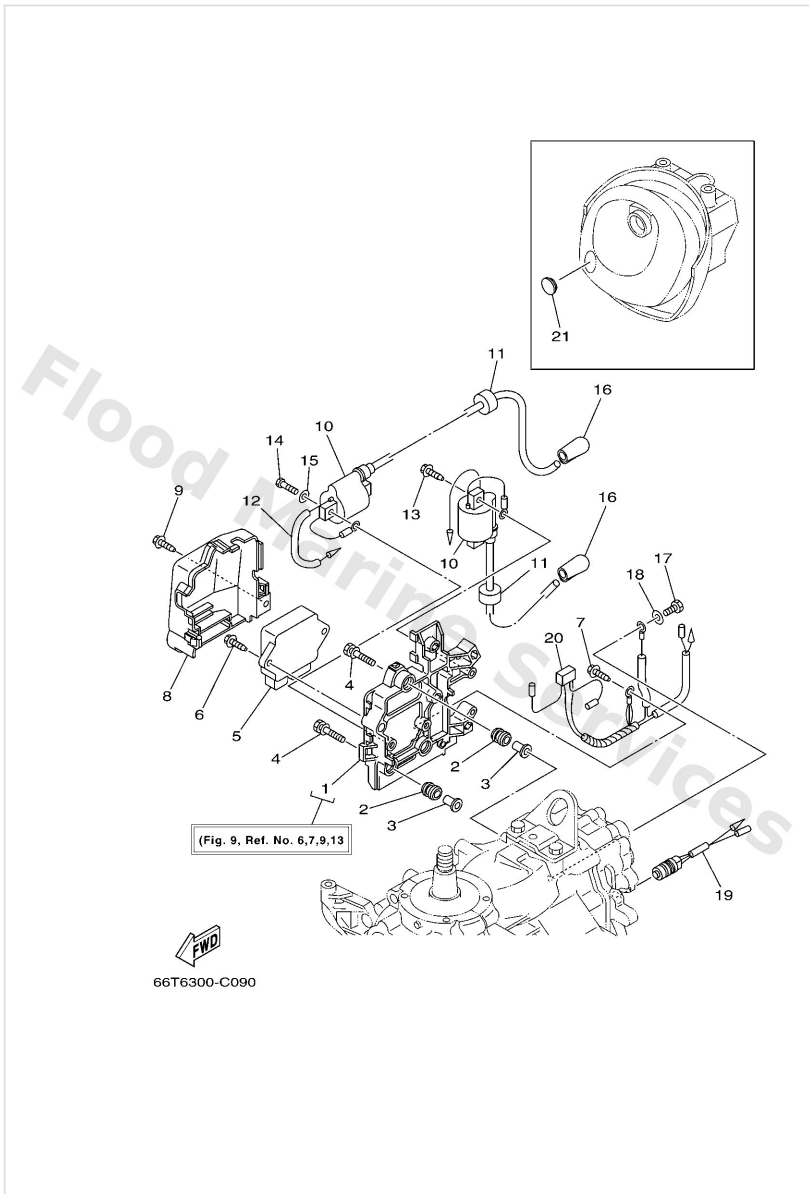


# Electrical



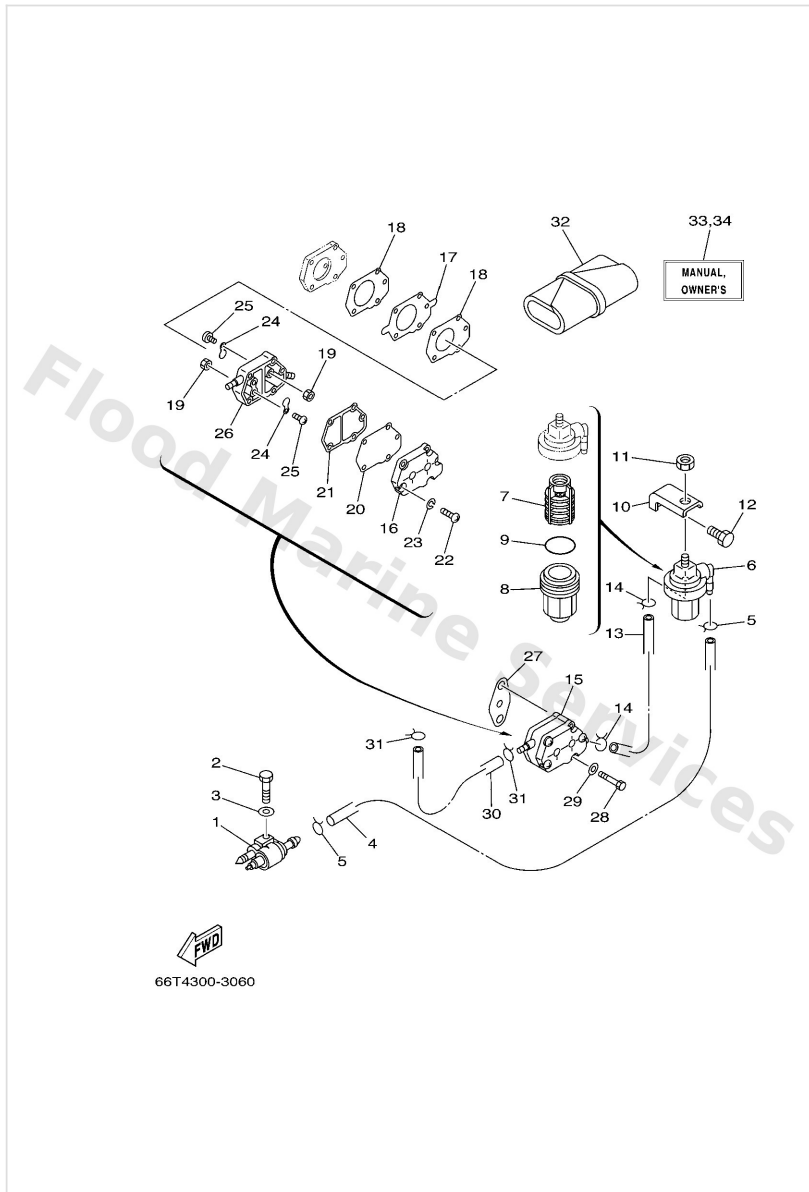
Ref	Part	
1	<a href="#">66T8554B0194</a> Bracket	<a href="#">Buy now</a>
2	<a href="#">6A08231700</a> Damper, ignition coil	<a href="#">Buy now</a>
3	<a href="#">9038706119</a> Collar	<a href="#">Buy now</a>
4	<a href="#">9011906M65</a> Bolt, with washer	<a href="#">Buy now</a>
5	<a href="#">66T8554001</a> C.d.i. unit assembly	<a href="#">Buy now</a>
6	<a href="#">9010906M81</a> Bolt	<a href="#">Buy now</a>
7	<a href="#">9010906M80</a> Bolt	<a href="#">Buy now</a>
8	<a href="#">66T8191601</a> Cover, terminal	<a href="#">Buy now</a>
10	<a href="#">66T8557000</a> Ignition coil assembly	<a href="#">Buy now</a>
11	<a href="#">9048025161</a> Grommet(656)	<a href="#">Buy now</a>
12	<a href="#">9044603MA3</a> Hose	<a href="#">Buy now</a>
14	<a href="#">9709506025</a> Bolt	<a href="#">Buy now</a>
15	<a href="#">9299506600</a> Washer, plain (646)	<a href="#">Buy now</a>
16	<a href="#">6E38237021</a> Plug cap assembly	<a href="#">Buy now</a>
17	<a href="#">9709506012</a> Bolt(gh1)	<a href="#">Buy now</a>

# Electrical



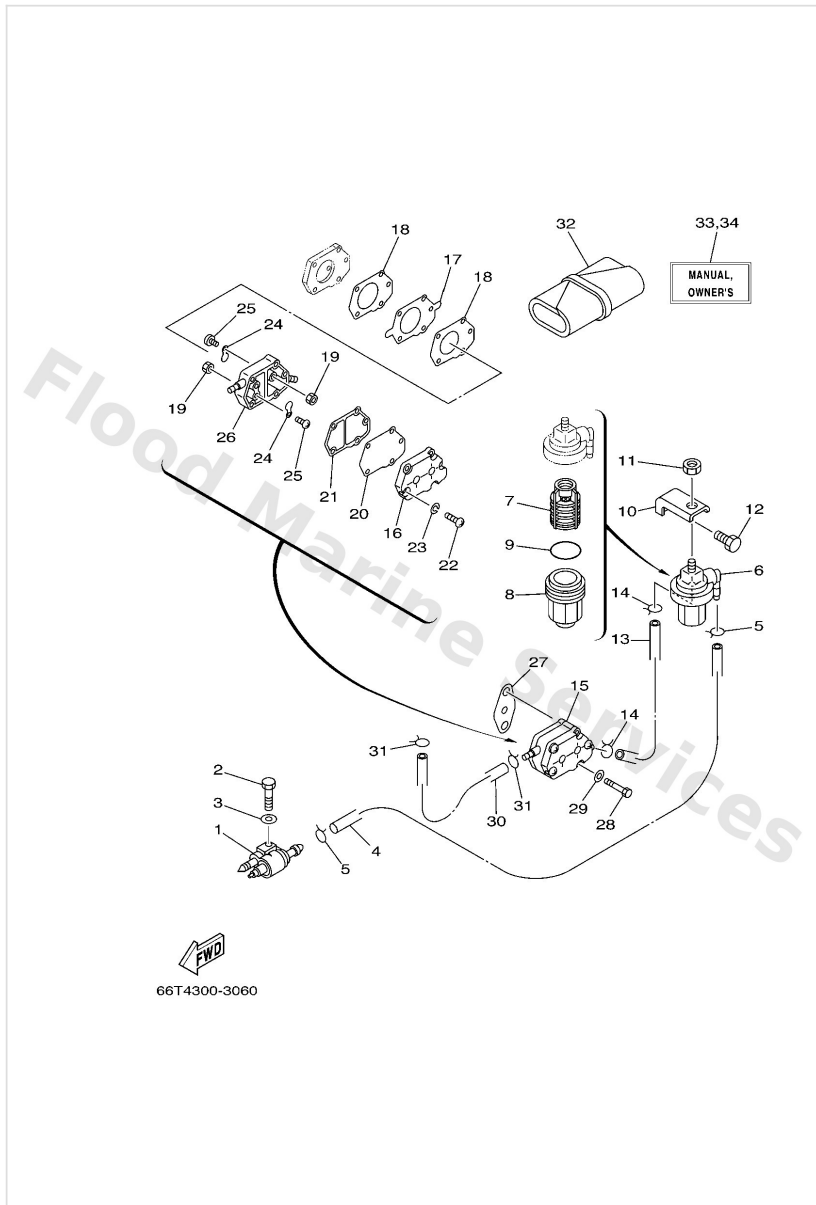
Ref	Part	
19	<a href="#">6888256010</a> Thermo switch assembly	<a href="#">Buy now</a>
20	<a href="#">66T8251900</a> Wire, earth lead	<a href="#">Buy now</a>
21	<a href="#">6G14272500</a> Grommet	<a href="#">Buy now</a>

# Fuel



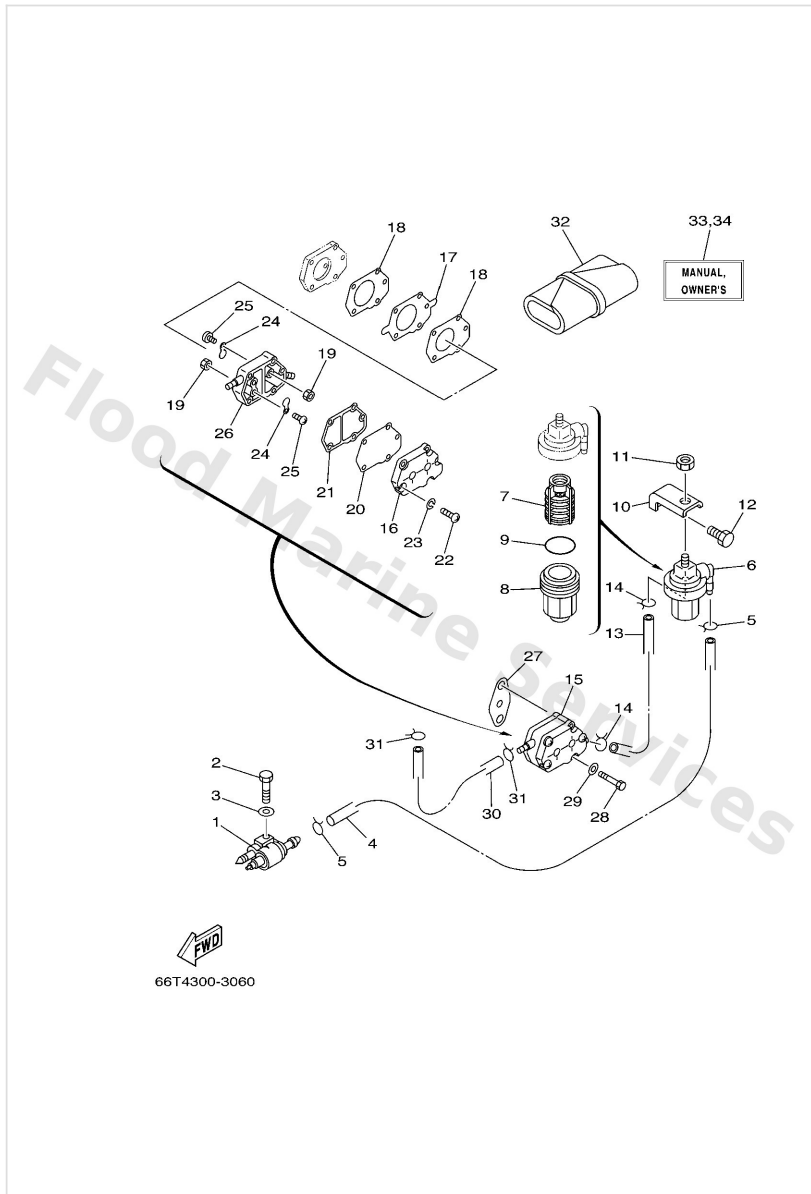
Ref	Part	
1	<a href="#">6G12430402</a> Fuel pipe joint comp. 1	<a href="#">Buy now</a>
2	<a href="#">9709506030</a> Bolt(jf7)	<a href="#">Buy now</a>
3	<a href="#">9299506600</a> Washer, plain (646)	<a href="#">Buy now</a>
4	<a href="#">9044509M08</a> Hose (I865)	<a href="#">Buy now</a>
5	<a href="#">9046708004</a> Clip, pipe 6162435600	<a href="#">Buy now</a>
6	<a href="#">61N2456000</a> Filter assembly	<a href="#">Buy now</a>
7	<a href="#">61N2456300</a> Element, filter	<a href="#">Buy now</a>
8	<a href="#">61N2452100</a> Cup, filter	<a href="#">Buy now</a>
9	<a href="#">9321032738</a> O-ring(1wg)	<a href="#">Buy now</a>
10	<a href="#">6482456602</a> Bracket, filter	<a href="#">Buy now</a>
11	<a href="#">9538008600</a> Nut (661)	<a href="#">Buy now</a>
12	<a href="#">9701306014</a> Bolt(gj3)	<a href="#">Buy now</a>
13	<a href="#">9044509086</a> Hose (I1500)	<a href="#">Buy now</a>
15	<a href="#">6922441000</a> Fuel pump assembly	<a href="#">Buy now</a>
16	<a href="#">6A02441300</a> Cover, pump	<a href="#">Buy now</a>

# Fuel



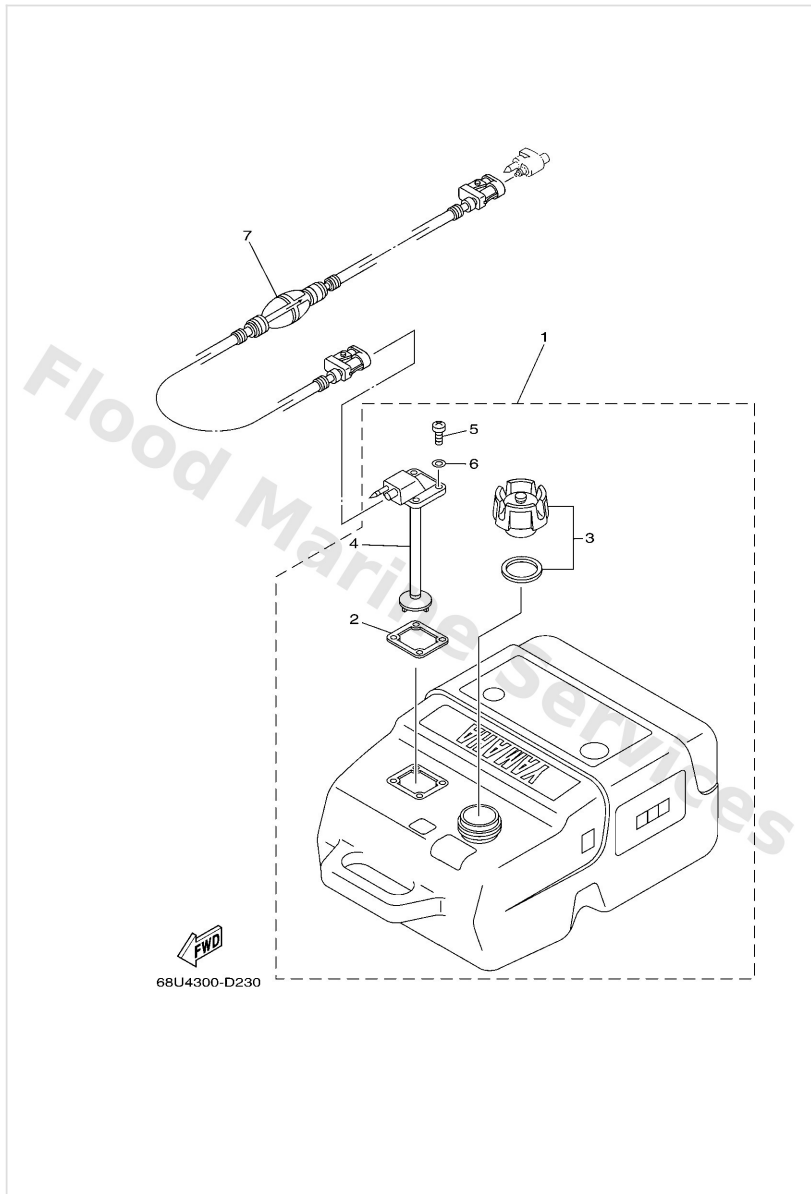
Ref	Part	
17	<a href="#">6922441100</a> Diaphragm	<a href="#">Buy now</a>
18	<a href="#">6482443401</a> Gasket, body	<a href="#">Buy now</a>
19	<a href="#">9538003600</a> Nut (6g8)	<a href="#">Buy now</a>
20	<a href="#">6632441100</a> Diaphragm	<a href="#">Buy now</a>
21	<a href="#">6482443502</a> Gasket, body 2	<a href="#">Buy now</a>
22	<a href="#">9850305028</a> Ybs86-530 screw,panhead	<a href="#">Buy now</a>
23	<a href="#">9299005100</a> Ybs67-5 washer, spring	<a href="#">Buy now</a>
24	<a href="#">6A02442101</a> Valve, check	<a href="#">Buy now</a>
25	<a href="#">6A01432500</a> Screw, pan head	<a href="#">Buy now</a>
26	<a href="#">6A02441202</a> Body 1	<a href="#">Buy now</a>
27	<a href="#">65024431A0</a> Gasket,fuel pump	<a href="#">Buy now</a>
28	<a href="#">9709506040</a> Bolt (682)	<a href="#">Buy now</a>
32	<a href="#">676W281001</a> Tool kit AP	<a href="#">Buy now</a>
33	<a href="#">66T281997AD0</a> Manual,owner's UR (NL)	<a href="#">Buy now</a>
33	<a href="#">66T281997AE0</a> Manual,owner's UR (E)	<a href="#">Buy now</a>

# Fuel



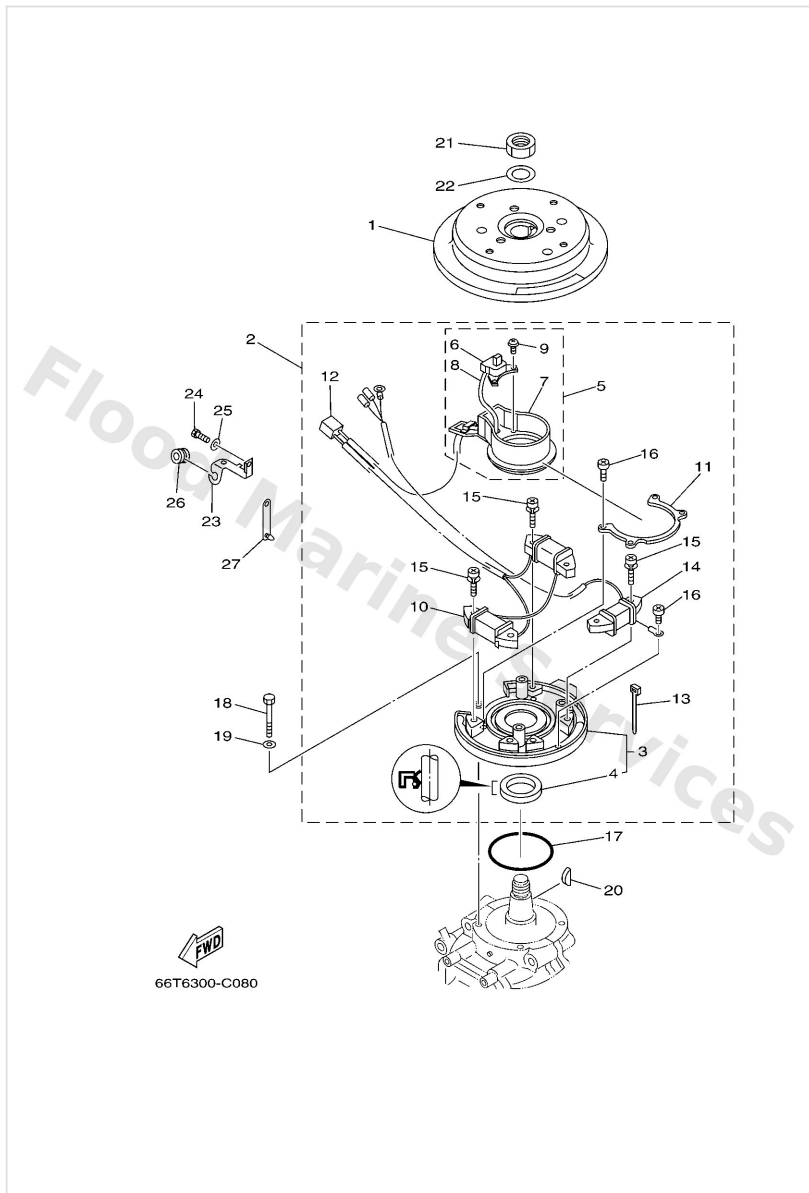
Ref	Part	
33	<a href="#">66T281997AF0</a> Manual,owner's UR (F)	<a href="#">Buy now</a>
33	<a href="#">66T281997AG0</a> Manual,owner's UR (D)	<a href="#">Buy now</a>
33	<a href="#">66T281997AH0</a> Manual,owner's UR (I)	<a href="#">Buy now</a>
33	<a href="#">66T281997AS0</a> Manual,owner's UR (ES)	<a href="#">Buy now</a>
34	<a href="#">66T281998AK0</a> Manual,owner's UR (DK)	<a href="#">Buy now</a>
34	<a href="#">66T281998AL0</a> Manual,owner's UR (SF)	<a href="#">Buy now</a>
34	<a href="#">66T281998AM0</a> Manual,owner's UR (S)	<a href="#">Buy now</a>
34	<a href="#">66T281998AN0</a> Manual,owner's UR (N)	<a href="#">Buy now</a>
34	<a href="#">66T281998AP0</a> Manual,owner's UR (P)	<a href="#">Buy now</a>
34	<a href="#">66T281998AR0</a> Manual,owner's UR (GR)	<a href="#">Buy now</a>

# Fuel Tank



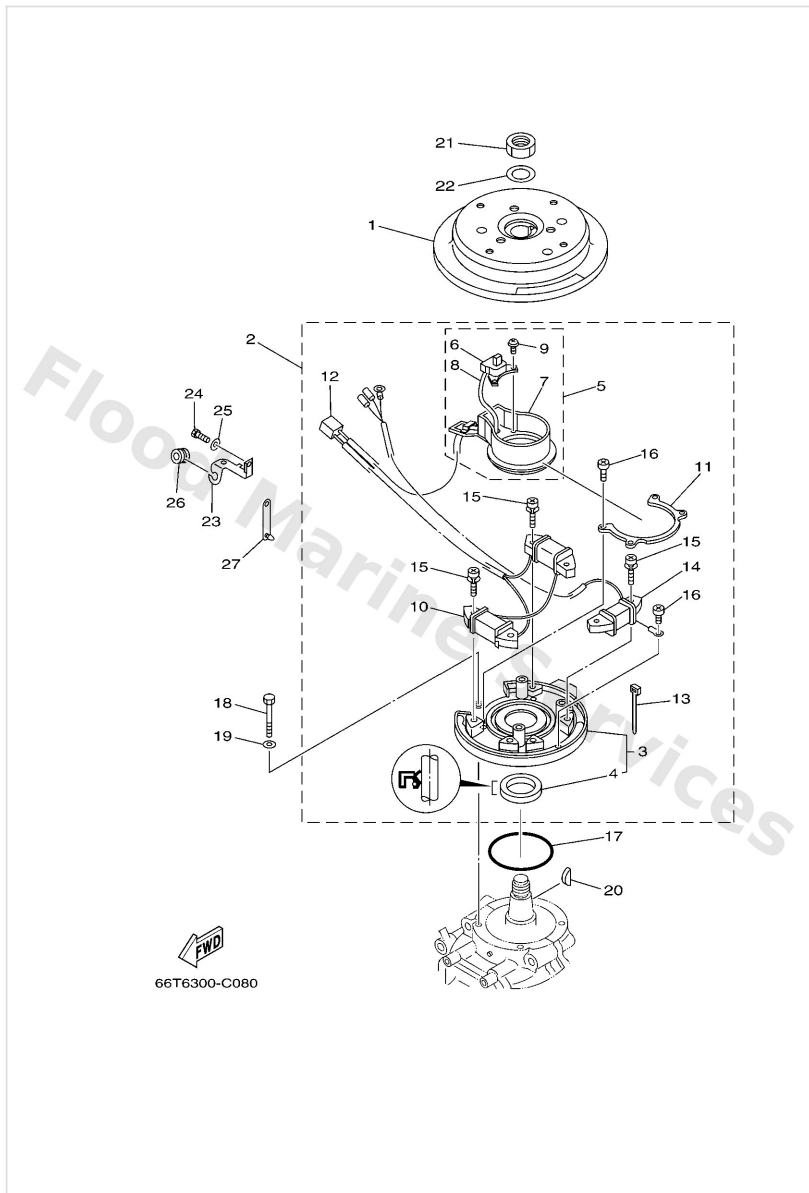
Ref	Part	
1	<a href="#">6YK2420103</a> Fuel Tank assembly (25L) AP	<a href="#">Buy now</a>
2	<a href="#">6YL2426801</a> Gasket, fuel meter	<a href="#">Buy now</a>
3	<a href="#">6YK2461001</a> Cap assembly	<a href="#">Buy now</a>
4	<a href="#">6YK2426001</a> Fuel meter assembly	<a href="#">Buy now</a>
5	<a href="#">9015705M16</a> Screw, pan head	<a href="#">Buy now</a>
6	<a href="#">6YL2432900</a> Seal	<a href="#">Buy now</a>
7	<a href="#">6YL2430654</a> Fuel pipe comp. 1 AP	<a href="#">Buy now</a>

# Generator



Ref	Part	
1	<a href="#">66T8555010</a> Rotor assembly	<a href="#">Buy now</a>
2	<a href="#">66T8556001</a> Base assembly	<a href="#">Buy now</a>
3	<a href="#">66T8556100</a> Base, magneto	<a href="#">Buy now</a>
4	<a href="#">9310235008</a> Oil seal	<a href="#">Buy now</a>
5	<a href="#">66T8558000</a> Pulser coil assembly	<a href="#">Buy now</a>
6	<a href="#">66T8559600</a> Coil, pulser 1	<a href="#">Buy now</a>
7	<a href="#">66T8558200</a> Attachment, pulser	<a href="#">Buy now</a>
8	<a href="#">66T8551500</a> Lead wire assembly	<a href="#">Buy now</a>
9	<a href="#">9790204108</a> Screw, with washer	<a href="#">Buy now</a>
10	<a href="#">66T8552000</a> Coil, charge	<a href="#">Buy now</a>
11	<a href="#">66T4161100</a> Retainer, magneto base	<a href="#">Buy now</a>
12	<a href="#">9E47104305</a> Housing, connector (f-4-b)	<a href="#">Buy now</a>
13	<a href="#">66T8132800</a> Clamp	<a href="#">Buy now</a>
14	<a href="#">66T8553300</a> Coil, lighting	<a href="#">Buy now</a>
15	<a href="#">9790206125</a> Screw, pan head (76t)	<a href="#">Buy now</a>

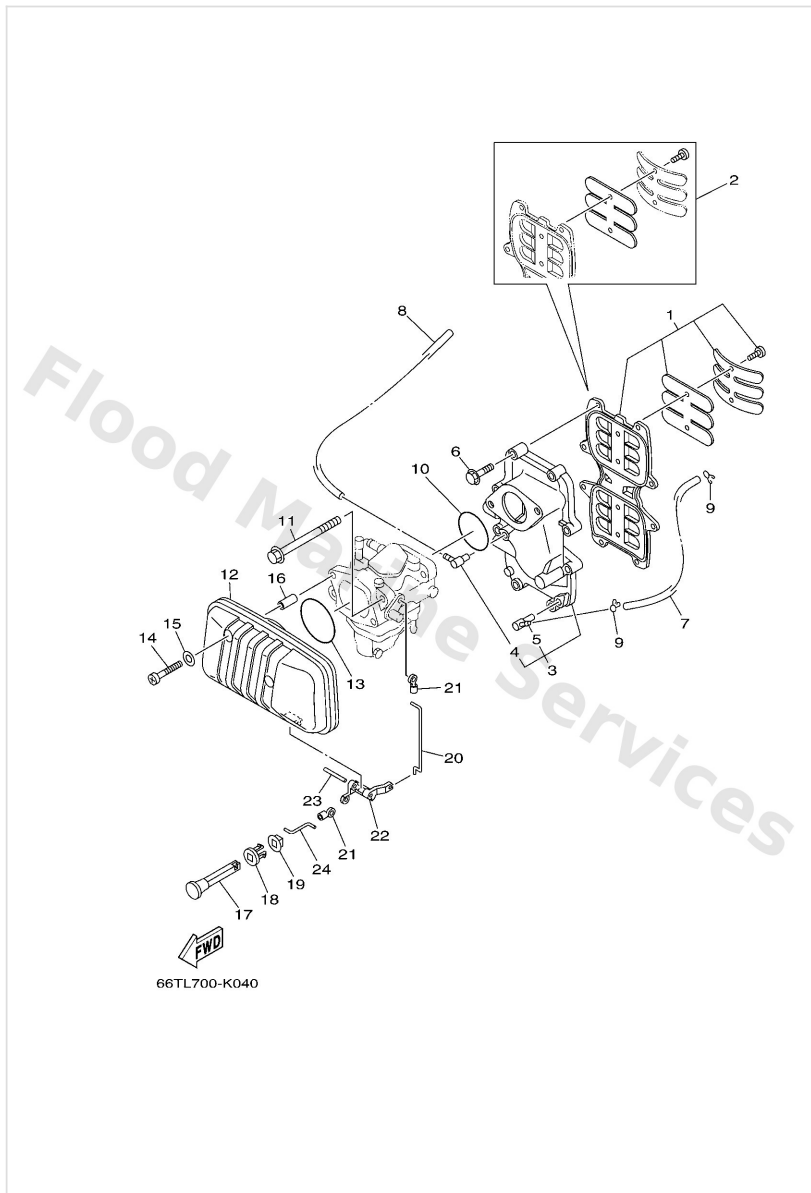
# Generator



Ref	Part	
16	<a href="#">9780204006</a> Screw, pan head(3xp)	<a href="#">Buy now</a>
17	<a href="#">9321075M51</a> O-ring (6f5)	<a href="#">Buy now</a>
18	<a href="#">9709506040</a> Bolt (682)	<a href="#">Buy now</a>
19	<a href="#">9299506600</a> Washer, plain (646)	<a href="#">Buy now</a>
20	<a href="#">9028005015</a> Key, woodruff	<a href="#">Buy now</a>
21	<a href="#">9017020137</a> Nut, hexagon(663)	<a href="#">Buy now</a>
22	<a href="#">9020121M18</a> Washer, plate (663)	<a href="#">Buy now</a>
23	<a href="#">9046515M74</a> Clamp	<a href="#">Buy now</a>
24	<a href="#">9709506016</a> Bolt, hexagon deep recess	<a href="#">Buy now</a>
26	<a href="#">9048010M71</a> Grommet	<a href="#">Buy now</a>
27	<a href="#">9046412M00</a> Clamp	<a href="#">Buy now</a>

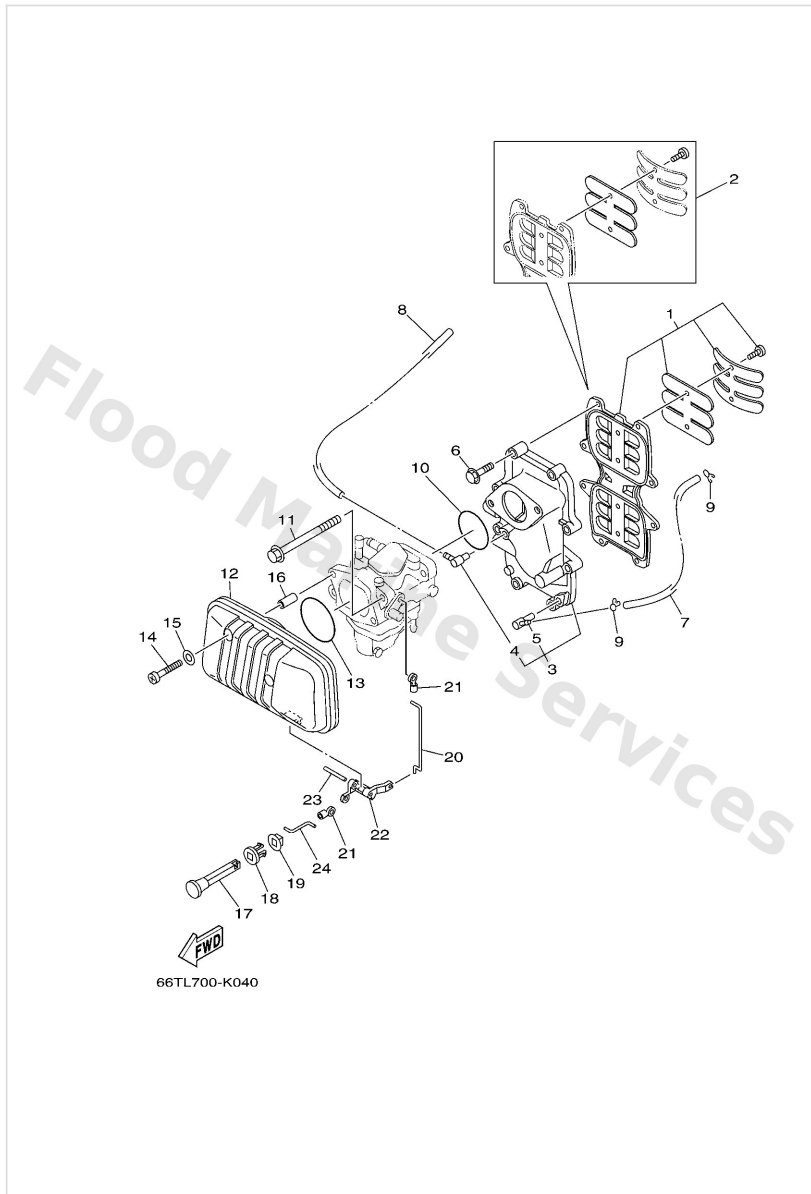


# Intake



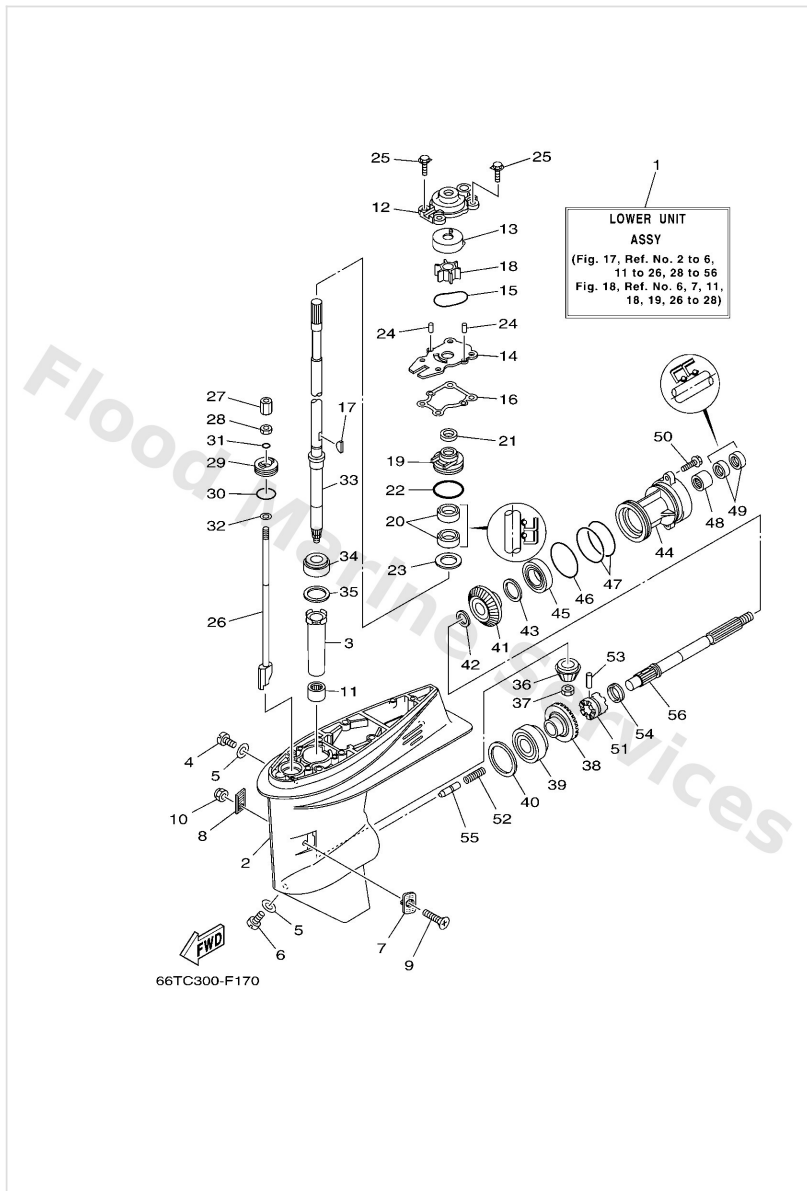
Ref	Part	
1	<a href="#">66T1361000</a> Reed valve assembly	<a href="#">Buy now</a>
2	<a href="#">66TW000400</a> Reed set	<a href="#">Buy now</a>
3	<a href="#">66T13641021S</a> Manifold 1	<a href="#">Buy now</a>
4	<a href="#">6E51355201</a> Nozzle	<a href="#">Buy now</a>
5	<a href="#">6501137201</a> Nipple, hose	<a href="#">Buy now</a>
6	<a href="#">9751306535</a> Bolt(3rv)	<a href="#">Buy now</a>
7	<a href="#">9044507M24</a> Hose (I390)	<a href="#">Buy now</a>
8	<a href="#">9044507MA4</a> Hose (I390)	<a href="#">Buy now</a>
9	<a href="#">9046706016</a> Clip (655)	<a href="#">Buy now</a>
10	<a href="#">9321046M16</a> O-ring (688)	<a href="#">Buy now</a>
11	<a href="#">9011908M03</a> Bolt (689)	<a href="#">Buy now</a>
12	<a href="#">66T1444000</a> Silencer assembly, intake	<a href="#">Buy now</a>
13	<a href="#">9321054M54</a> O-ring (6g1)	<a href="#">Buy now</a>
14	<a href="#">9788506040</a> Screw pan head	<a href="#">Buy now</a>
15	<a href="#">9299506600</a> Washer, plain (646)	<a href="#">Buy now</a>

# Intake



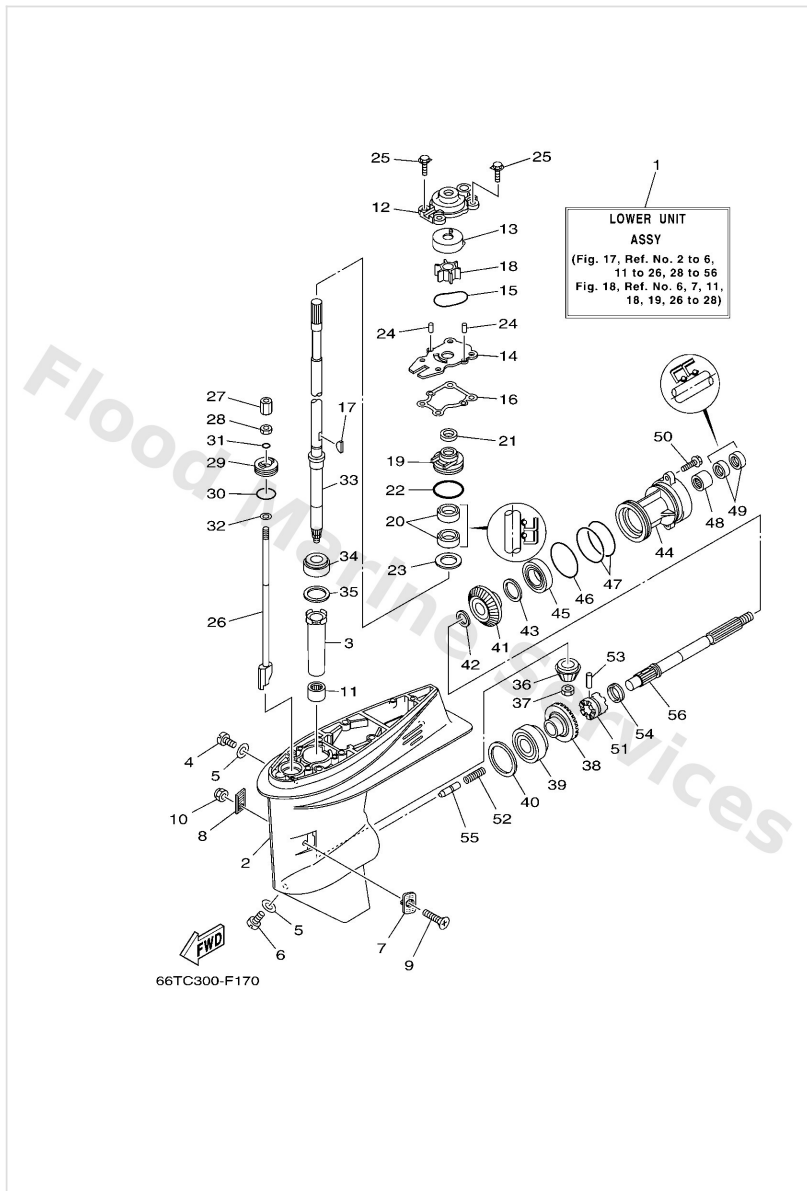
Ref	Part	
16	<a href="#">9038706M80</a> Collar	<a href="#">Buy now</a>
17	<a href="#">6H44127102</a> Knob, choke	<a href="#">Buy now</a>
18	<a href="#">6894127300</a> Grommet	<a href="#">Buy now</a>
19	<a href="#">6J84127400</a> Grommet 2	<a href="#">Buy now</a>
20	<a href="#">66T4125600</a> Rod, choke 1	<a href="#">Buy now</a>
21	<a href="#">6614126202</a> Joint, choke lever	<a href="#">Buy now</a>
22	<a href="#">66T4125200</a> Lever, choke 1	<a href="#">Buy now</a>
23	<a href="#">9169040032</a> Pin, spring (6f5)	<a href="#">Buy now</a>
24	<a href="#">66T4125700</a> Rod, choke 2	<a href="#">Buy now</a>

# Lower Casing & Drive 1



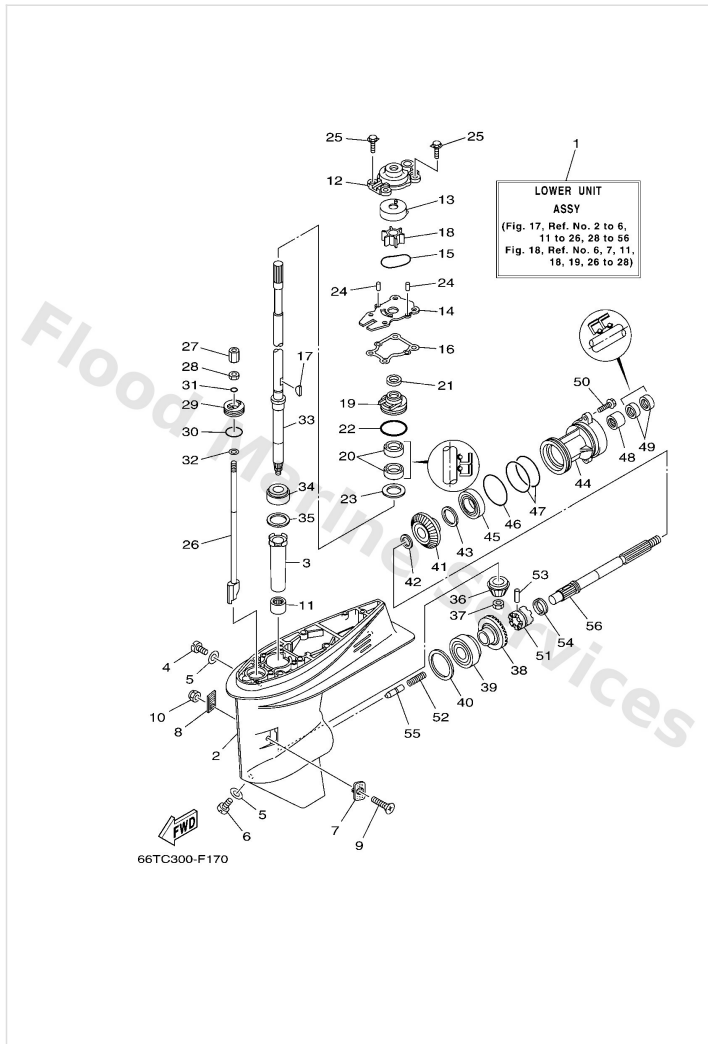
Ref	Part	
1	<a href="#">66T45300124D</a> Lower unit assembly L(21.7")	<a href="#">Buy now</a>
2	<a href="#">66T45311014D</a> Casing, lower	<a href="#">Buy now</a>
3	<a href="#">6H44553600</a> Sleeve, drive shaft	<a href="#">Buy now</a>
4	<a href="#">9034008002</a> Plug, straight screw	<a href="#">Buy now</a>
5	<a href="#">9043008020</a> Gasket	<a href="#">Buy now</a>
6	<a href="#">6884534110</a> Plug, drain	<a href="#">Buy now</a>
7	<a href="#">63D4521400</a> Cover, water inlet	<a href="#">Buy now</a>
8	<a href="#">63D4521500</a> Cover, water inlet	<a href="#">Buy now</a>
9	<a href="#">9014205M06</a> Screw, countersunk	<a href="#">Buy now</a>
10	<a href="#">9538005600</a> Nut, hexagon (663)	<a href="#">Buy now</a>
11	<a href="#">9331532224</a> Brg,cyl-cal roller 42.2g nk	<a href="#">Buy now</a>
12	<a href="#">66T4431100</a> Housing, water pump	<a href="#">Buy now</a>
13	<a href="#">63D4432200</a> Insert, cartridge	<a href="#">Buy now</a>
14	<a href="#">66T4432300</a> Outer plate, cartridge	<a href="#">Buy now</a>
15	<a href="#">9321059MG7</a> O-ring	<a href="#">Buy now</a>

# Lower Casing & Drive 1



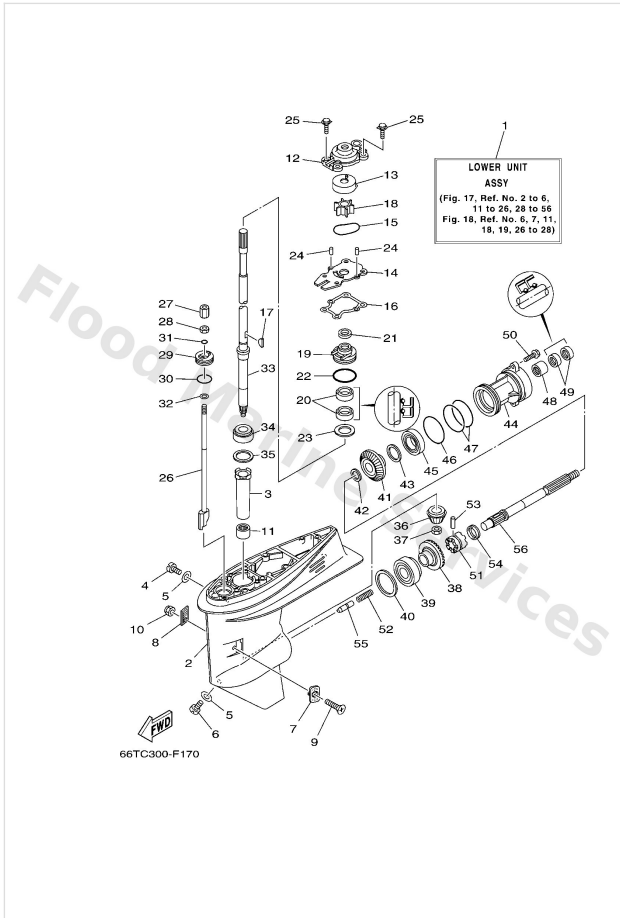
Ref	Part	
16	<a href="#">63D4431600</a> Gasket, water pump	<a href="#">Buy now</a>
17	<a href="#">9028003M03</a> Key, woodruff (697)	<a href="#">Buy now</a>
18	<a href="#">6H44435202</a> Impeller	<a href="#">Buy now</a>
19	<a href="#">6BG4434100</a> Housing, water pump	<a href="#">Buy now</a>
20	<a href="#">9310122M60</a> Oil seal	<a href="#">Buy now</a>
21	<a href="#">66T4534401</a> Cover, oil seal	<a href="#">Buy now</a>
22	<a href="#">9321048001</a> O-ring	<a href="#">Buy now</a>
23	<a href="#">9020127M00</a> Washer, plate(62x)	<a href="#">Buy now</a>
24	<a href="#">9360408062</a> Pin,dowel (626)	<a href="#">Buy now</a>
25	<a href="#">9011908M15</a> Bolt, with washer(62w)	<a href="#">Buy now</a>
26	<a href="#">66T4415011</a> Shift cam assembly L(21.7")	<a href="#">Buy now</a>
27	<a href="#">61N4414600</a> Connector, shift rod	<a href="#">Buy now</a>
28	<a href="#">9538006700</a> Nut	<a href="#">Buy now</a>
29	<a href="#">66T4532100</a> Plate	<a href="#">Buy now</a>
30	<a href="#">9321033MG4</a> O-ring	<a href="#">Buy now</a>

# Lower Casing & Drive 1



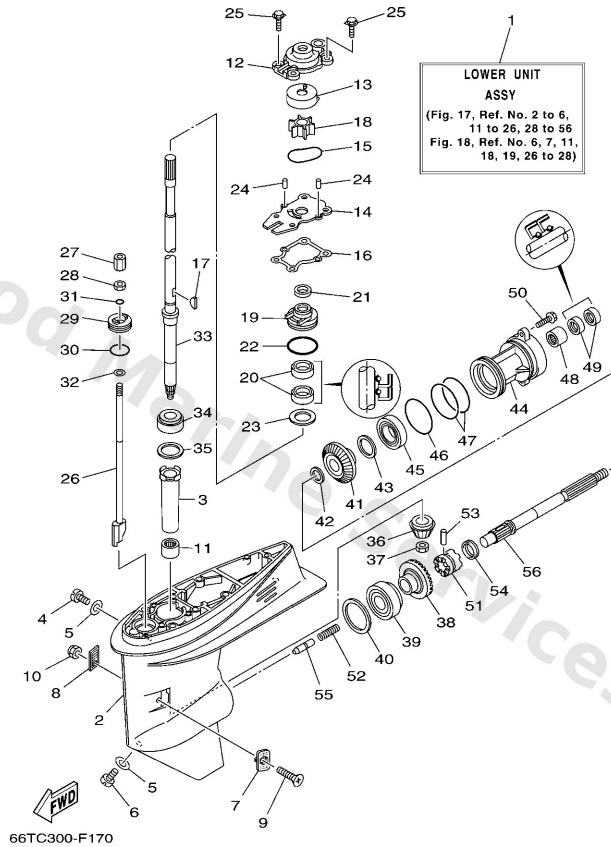
Ref	Part	
31	<a href="#">9321006ME6</a> O-ring	<a href="#">Buy now</a>
32	<a href="#">9299006600</a> Washer, plain (646)	<a href="#">Buy now</a>
33	<a href="#">66T4550111</a> Drive shaft comp. L(21.7")	<a href="#">Buy now</a>
34	<a href="#">9333200001</a> Brg, tapered roller (409)	<a href="#">Buy now</a>
35	<a href="#">6634558701</a> Shim (t:0.10mm) UR	<a href="#">Buy now</a>
35	<a href="#">6634558710</a> Shim (t:0.12mm) UR	<a href="#">Buy now</a>
35	<a href="#">6634558720</a> Shim (t:0.15mm) UR	<a href="#">Buy now</a>
35	<a href="#">6634558730</a> Shim (t:0.18mm) UR	<a href="#">Buy now</a>
35	<a href="#">6634558740</a> Shim (t:0.30mm) UR	<a href="#">Buy now</a>
35	<a href="#">6634558750</a> Shim (t:0.40mm) UR	<a href="#">Buy now</a>
35	<a href="#">6634558760</a> Shim (t:0.50mm) UR	<a href="#">Buy now</a>
36	<a href="#">66T4555100</a> Pinion	<a href="#">Buy now</a>
37	<a href="#">9017012138</a> Nut hexagon(663)	<a href="#">Buy now</a>
38	<a href="#">66T4556001</a> Gear	<a href="#">Buy now</a>
39	<a href="#">9333200003</a> Brg,cyl-cal roller 318g ky	<a href="#">Buy now</a>

## Lower Casing & Drive 1



Ref	Part	
40	<a href="#">6634556701</a> Shim (t:0.10mm) UR	<a href="#">Buy now</a>
40	<a href="#">6634556710</a> Shim (t:0.12mm) UR	<a href="#">Buy now</a>
40	<a href="#">6634556720</a> Shim (t:0.15mm) UR	<a href="#">Buy now</a>
40	<a href="#">6634556730</a> Shim (t:0.18mm) UR	<a href="#">Buy now</a>
40	<a href="#">6634556740</a> Shim (t:0.30mm) UR	<a href="#">Buy now</a>
40	<a href="#">6634556750</a> Shim (t:0.40mm) UR	<a href="#">Buy now</a>
40	<a href="#">6634556760</a> Shim (t:0.50mm) UR	<a href="#">Buy now</a>
41	<a href="#">66T4557100</a> Gear	<a href="#">Buy now</a>
42	<a href="#">9020122429</a> Washer, plate(663)	<a href="#">Buy now</a>
43	<a href="#">63D4557700</a> Shim (t:0.10mm) UR	<a href="#">Buy now</a>
43	<a href="#">63D4557710</a> Shim (t:0.12mm) UR	<a href="#">Buy now</a>
43	<a href="#">63D4557720</a> Shim (t:0.15mm) UR	<a href="#">Buy now</a>
43	<a href="#">63D4557730</a> Shim (t:0.18mm) UR	<a href="#">Buy now</a>
43	<a href="#">63D4557740</a> Shim (t:0.30mm) UR	<a href="#">Buy now</a>
43	<a href="#">63D4557750</a> Shim (t:0.40mm) UR	<a href="#">Buy now</a>

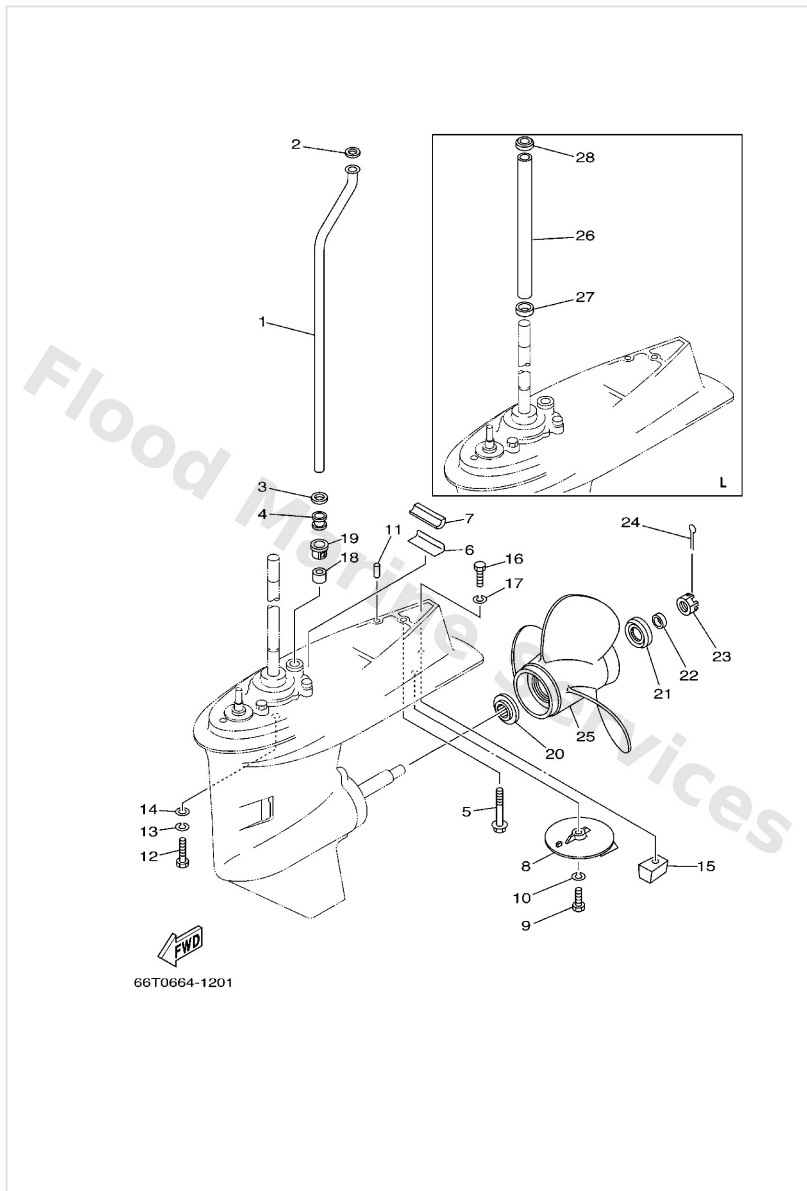
# Lower Casing & Drive 1



Ref	Part	
43	<a href="#">63D4557760</a> Shim (t:0.50mm) UR	<a href="#">Buy now</a>
44	<a href="#">63D45361024D</a> Cap, lower casing	<a href="#">Buy now</a>
45	<a href="#">93306001U1</a> Bearing(62x)	<a href="#">Buy now</a>
46	<a href="#">9321069MG6</a> O-ring	<a href="#">Buy now</a>
47	<a href="#">9321074MG5</a> O-ring (xea)	<a href="#">Buy now</a>
48	<a href="#">9331722204</a> Brg,cyl-cal roller 25.5g nt	<a href="#">Buy now</a>
49	<a href="#">9310122M00</a> Oil seal (22x36x6-663)	<a href="#">Buy now</a>
50	<a href="#">9010508M61</a> Bolt, washer based(62x)	<a href="#">Buy now</a>
51	<a href="#">66T4563100</a> Clutch, dog	<a href="#">Buy now</a>
52	<a href="#">9050115M01</a> Spring, compression	<a href="#">Buy now</a>
53	<a href="#">9025006023</a> Pin, strait (663)	<a href="#">Buy now</a>
54	<a href="#">6634563300</a> Ring, cross pin	<a href="#">Buy now</a>
55	<a href="#">66T4563500</a> Plunger, shift	<a href="#">Buy now</a>
56	<a href="#">66T4561100</a> Shaft, propeller	<a href="#">Buy now</a>

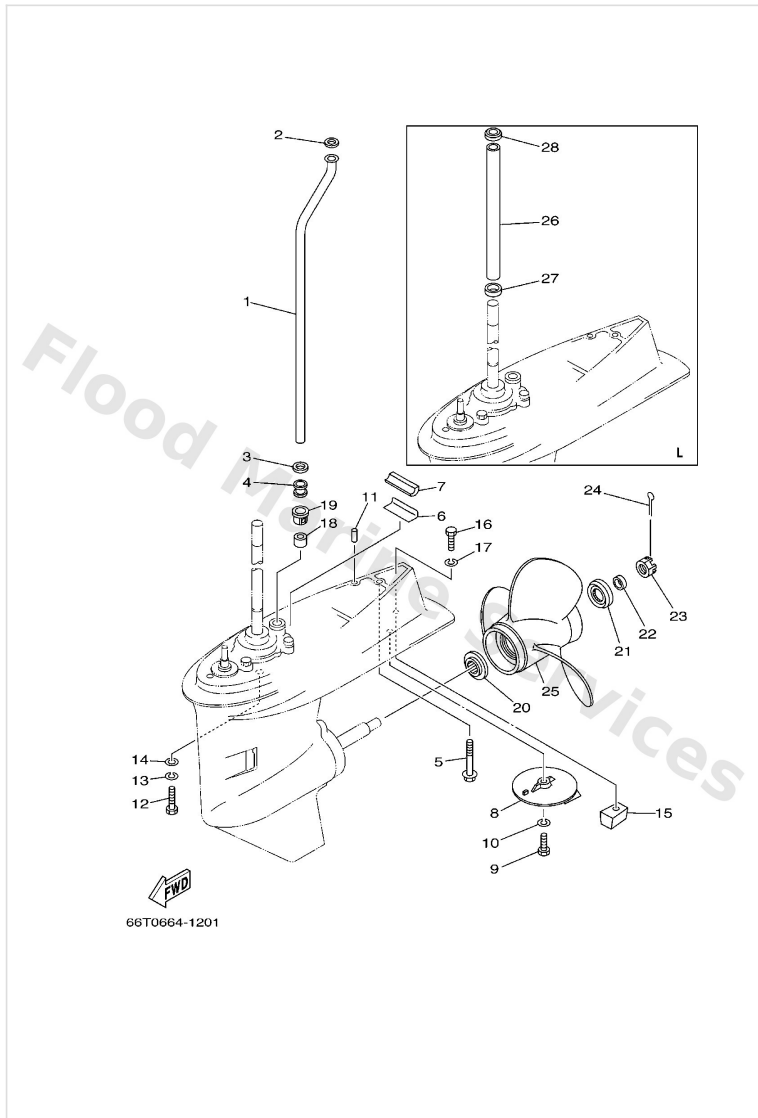


## Lower Casing & Drive 2



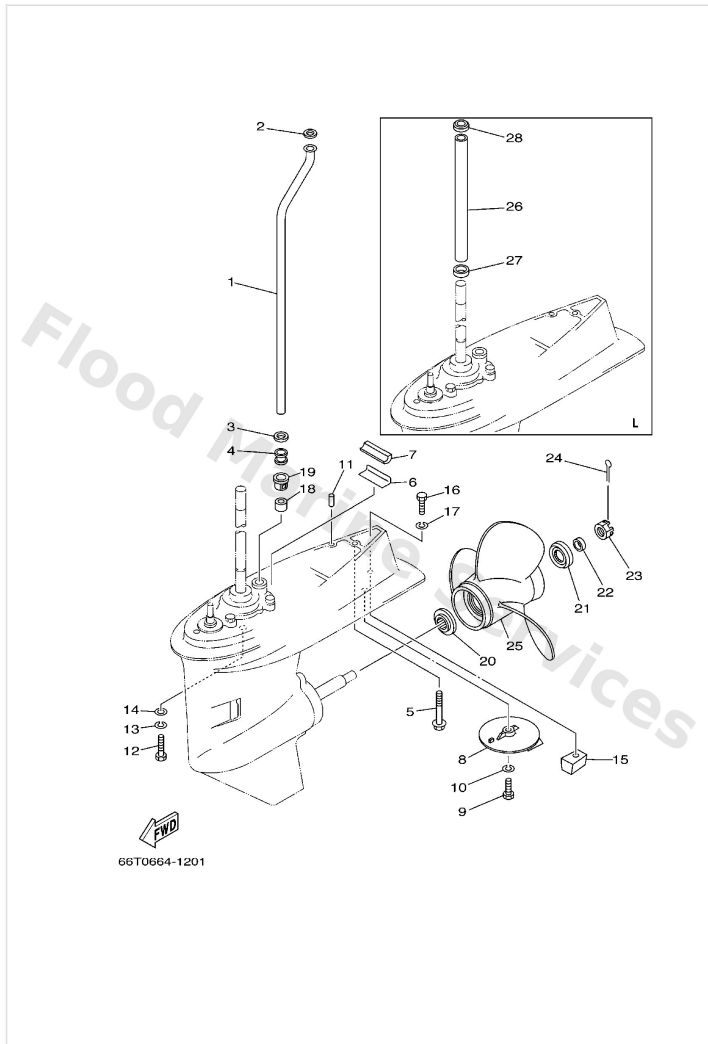
Ref	Part	
1	<a href="#">66T4436110</a> Tube, water L(21.7")	<a href="#">Buy now</a>
2	<a href="#">9020212060</a> Washer, plate(663)	<a href="#">Buy now</a>
3	<a href="#">9043012072</a> Gasket	<a href="#">Buy now</a>
4	<a href="#">6634436700</a> Damper, water seal 3	<a href="#">Buy now</a>
5	<a href="#">9011908M44</a> Bolt, with washer	<a href="#">Buy now</a>
6	<a href="#">6634537600</a> Guide, seal damper	<a href="#">Buy now</a>
7	<a href="#">63D4537500</a> Damper, seal	<a href="#">Buy now</a>
8	<a href="#">6644537101</a> Tab-trim	<a href="#">Buy now</a>
9	<a href="#">9709508025</a> Bolt (62g)	<a href="#">Buy now</a>
10	<a href="#">9299508100</a> Ybs67-8 washer, spring	<a href="#">Buy now</a>
11	<a href="#">9360612019</a> Pin, dowel (614)	<a href="#">Buy now</a>
12	<a href="#">9707510040</a> Bolt, hexagon deep recess	<a href="#">Buy now</a>
13	<a href="#">9299510100</a> Ybs67-10 washer, spring	<a href="#">Buy now</a>
14	<a href="#">9299510600</a> Washer, plate	<a href="#">Buy now</a>
15	<a href="#">67C4525100</a> Anode	<a href="#">Buy now</a>

# Lower Casing & Drive 2



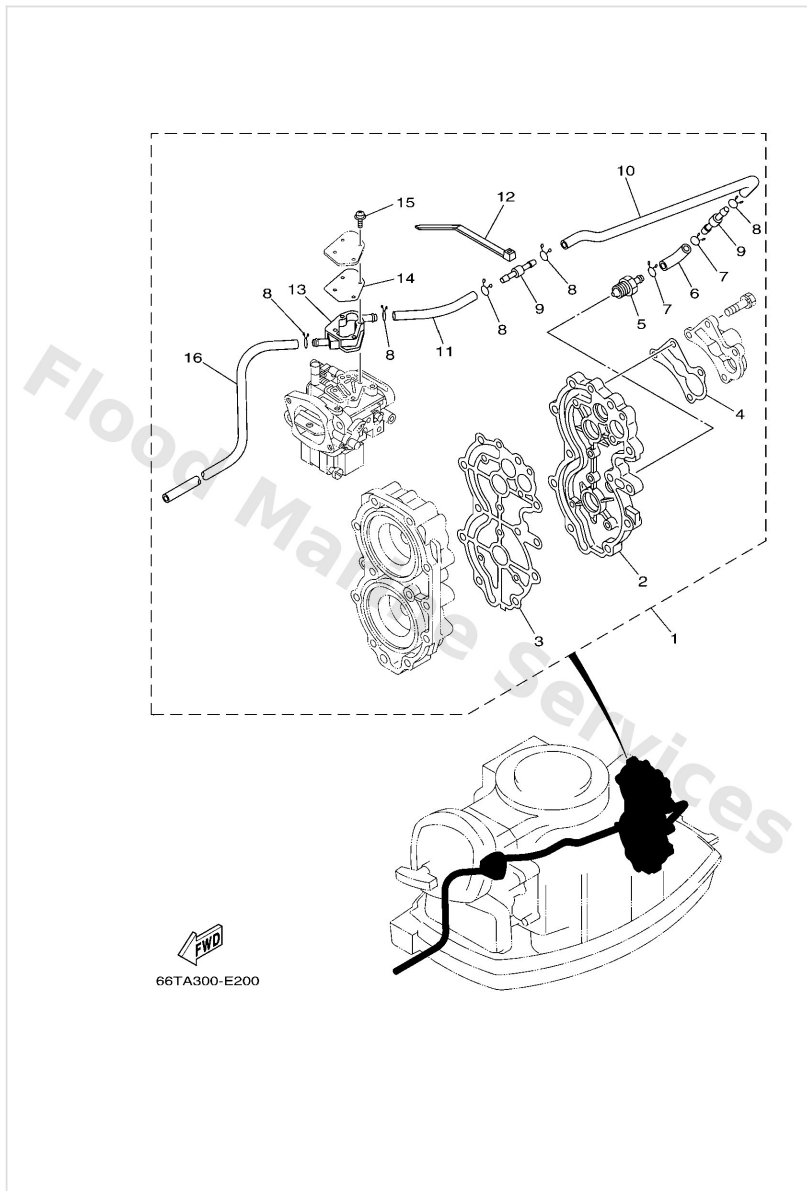
Ref	Part	
16	<a href="#">9709508035</a> Bolt(70w)	<a href="#">Buy now</a>
18	<a href="#">6634436600</a> Damper, water seal 2	<a href="#">Buy now</a>
19	<a href="#">63D4431200</a> Cover, water pump housing	<a href="#">Buy now</a>
20	<a href="#">6634598702</a> Spacer	<a href="#">Buy now</a>
21	<a href="#">66T4599700</a> Spacer 2	<a href="#">Buy now</a>
22	<a href="#">9038922M01</a> Bush	<a href="#">Buy now</a>
23	<a href="#">9017116011</a> Nut, castle (663)	<a href="#">Buy now</a>
24	<a href="#">9149030025</a> Pin cotter	<a href="#">Buy now</a>
25	<a href="#">69W4594300EL</a> Propeller (3x11 x15 -g) UR	<a href="#">Buy now</a>
25	<a href="#">69W4594500EL</a> Propeller (3x11-1/8"x13"-g) UR	<a href="#">Buy now</a>
25	<a href="#">69W4594700EL</a> Prop assembly (3x11-5/8"x11"-g) UR	<a href="#">Buy now</a>
25	<a href="#">63D4594100EL</a> Propeller (3x12-1/4 x8 -g) UR	<a href="#">Buy now</a>
25	<a href="#">663459300098</a> Propeller (3x10-1/4"x14"-g) UR	<a href="#">Buy now</a>
25	<a href="#">6634594101EL</a> Propeller (3x10-3/4"x17"-g) UR	<a href="#">Buy now</a>
25	<a href="#">6634594901EL</a> Propeller (3x10-3/4"x16"-g) UR	<a href="#">Buy now</a>

# Lower Casing & Drive 2



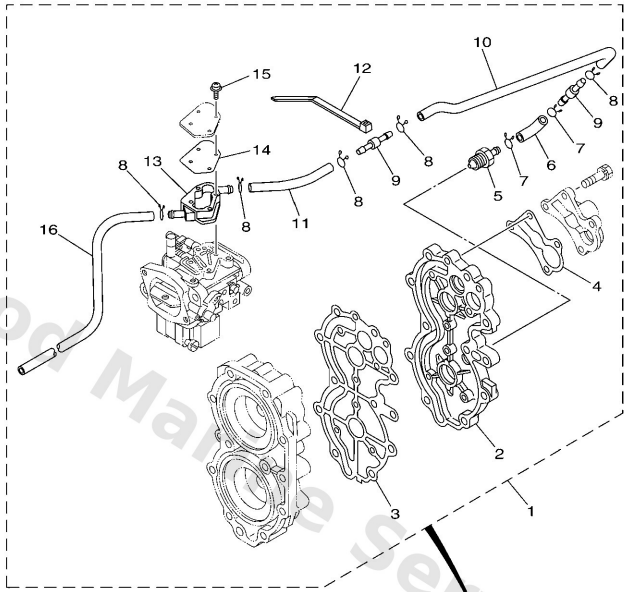
Ref	Part	
25	<a href="#">6634595202EL</a> Propeller (3x11-3/8x12-g) UR	<a href="#">Buy now</a>
25	<a href="#">6634595401EL</a> Propeller (3x11-3/4"x10"-g) UR	<a href="#">Buy now</a>
25	<a href="#">6634595601EL</a> Propeller (3x12-1/4"x9"-g) UR	<a href="#">Buy now</a>
25	<a href="#">6634595801EL</a> Propeller (3x11-1/4"x14"-g) UR	<a href="#">Buy now</a>
25	<a href="#">663459706098</a> Propeller (3x11-3/4"x12"-g) UR	<a href="#">Buy now</a>
25	<a href="#">663459726098</a> Propeller (3x12"x11"-g) UR	<a href="#">Buy now</a>
25	<a href="#">663459746098</a> Propeller (3x11-1/2"x13"-g) UR	<a href="#">Buy now</a>
25	<a href="#">663459760098</a> Propeller (3x10-1/4"x15"-g) UR	<a href="#">Buy now</a>
25	<a href="#">663459780098</a> Propeller (3x10-1/4"x16"-g) UR	<a href="#">Buy now</a>
25	<a href="#">69W4595200EL</a> Propeller (3x11-3/8 x12 -g) UR	<a href="#">Buy now</a>
25	<a href="#">69W4595800EL</a> Propeller (3x11-1/4"x14"-g) UR	<a href="#">Buy now</a>
26	<a href="#">66T4436210</a> Tube, water 2 L(21.7")	<a href="#">Buy now</a>
27	<a href="#">9048025M70</a> Grommet L(21.7")	<a href="#">Buy now</a>
28	<a href="#">9048030M71</a> Grommet L(21.7")	<a href="#">Buy now</a>

## Optional Parts



Ref	Part	
1	<a href="#">66T1244051</a> - AP	<a href="#">Buy now</a>
2	<a href="#">66T1119150</a> Cover, cylinder head 1	<a href="#">Buy now</a>
3	<a href="#">66T11193A3</a> Gasket, head cover 1	<a href="#">Buy now</a>
4	<a href="#">67612414A1</a> Gasket, cover	<a href="#">Buy now</a>
5	<a href="#">66T1246900</a> Joint 1	<a href="#">Buy now</a>
6	<a href="#">6E52431500</a> Pipe 5	<a href="#">Buy now</a>
7	<a href="#">9046711M08</a> Clip(72x)	<a href="#">Buy now</a>
8	<a href="#">9046710M04</a> Clip, pipe 1 (6e9)	<a href="#">Buy now</a>
9	<a href="#">6E52437900</a> Pipe, joint 4	<a href="#">Buy now</a>
10	<a href="#">66T1248150</a> Pipe 1	<a href="#">Buy now</a>
11	<a href="#">66T1248250</a> Pipe 2	<a href="#">Buy now</a>
12	<a href="#">9046513M36</a> Clamp(6h4)	<a href="#">Buy now</a>
13	<a href="#">66T1246600</a> Exchanger, heat	<a href="#">Buy now</a>
14	<a href="#">66T1453600</a> Gasket	<a href="#">Buy now</a>
15	<a href="#">9798004125</a> Screw, with washer	<a href="#">Buy now</a>

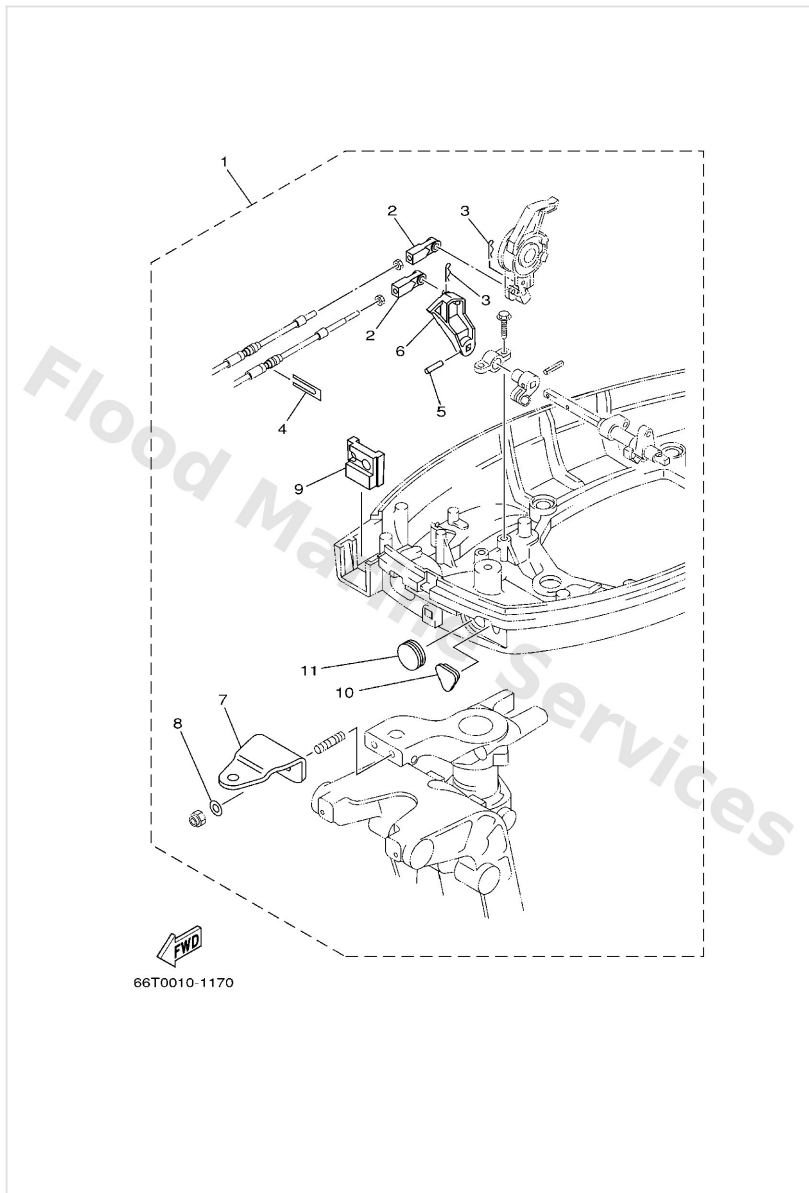
# Optional Parts



 66TA300-E200

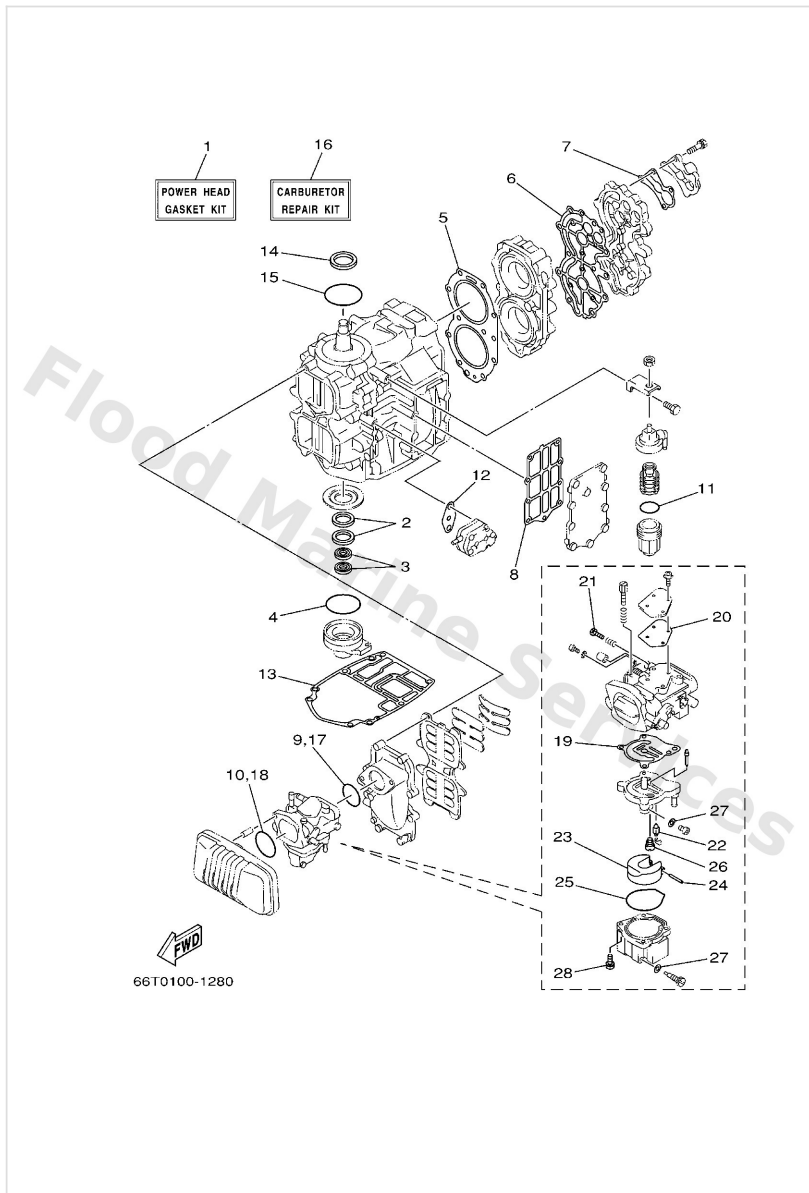
Ref	Part	
16	<a href="#">9044511M78</a> Hose (I1000)	<a href="#">Buy now</a>

# Remo Con Attachment



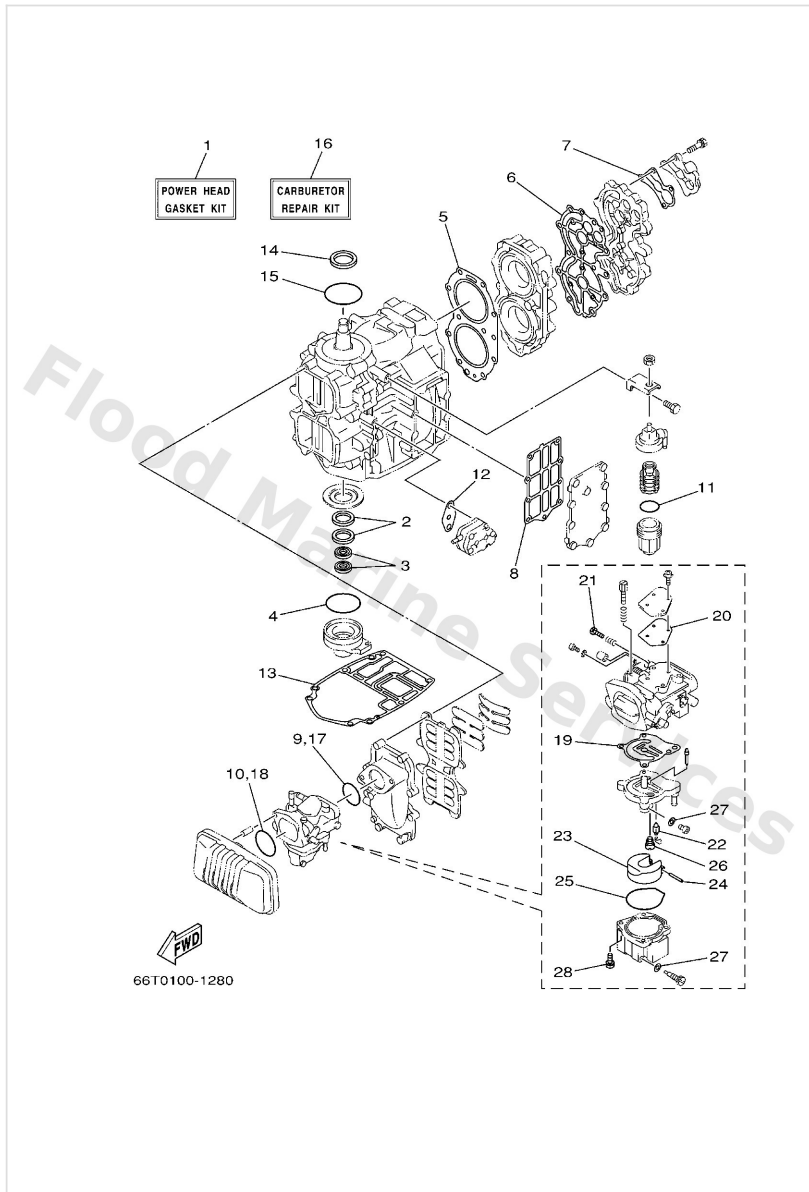
Ref	Part	
1	<a href="#">66T4850101</a> Remote cont. attachment assembly. AP	<a href="#">Buy now</a>
2	<a href="#">6634834400</a> Cable end, remote control	<a href="#">Buy now</a>
3	<a href="#">9046818008</a> Clip 620436610000	<a href="#">Buy now</a>
4	<a href="#">6H34853800</a> Clamp, cable	<a href="#">Buy now</a>
5	<a href="#">9025403M04</a> Pin, spring (6h3)	<a href="#">Buy now</a>
6	<a href="#">66T4412501</a> Lever, shift rod	<a href="#">Buy now</a>
7	<a href="#">65W4851100</a> Hook, steering	<a href="#">Buy now</a>
8	<a href="#">9020110120</a> Washer, plate	<a href="#">Buy now</a>
9	<a href="#">66T4272530</a> Grommet	<a href="#">Buy now</a>
10	<a href="#">65W2632610</a> Grommet	<a href="#">Buy now</a>
11	<a href="#">65W4272610</a> Grommet	<a href="#">Buy now</a>

# Repair Kit 1



Ref	Part	
1	<a href="#">66TW000101</a> Power head gasket kit	<a href="#">Buy now</a>
2	<a href="#">9310230M56</a> Oil seal	<a href="#">Buy now</a>
3	<a href="#">9310116001</a> Oil seal	<a href="#">Buy now</a>
4	<a href="#">9321065M50</a> O-ring	<a href="#">Buy now</a>
5	<a href="#">66T11181A3</a> Gasket, cylinder head 1	<a href="#">Buy now</a>
6	<a href="#">66T11193A3</a> Gasket, head cover 1	<a href="#">Buy now</a>
7	<a href="#">67612414A1</a> Gasket, cover	<a href="#">Buy now</a>
8	<a href="#">66T41114A0</a> Gasket, exhaust outer cover	<a href="#">Buy now</a>
9	<a href="#">9321046M16</a> O-ring (688)	<a href="#">Buy now</a>
10	<a href="#">9321054M54</a> O-ring (6g1)	<a href="#">Buy now</a>
11	<a href="#">9321032738</a> O-ring(1wg)	<a href="#">Buy now</a>
12	<a href="#">65024431A0</a> Gasket, fuel pump	<a href="#">Buy now</a>
13	<a href="#">66T45113A0</a> Gasket, upper casing	<a href="#">Buy now</a>
14	<a href="#">9310235008</a> Oil seal	<a href="#">Buy now</a>
15	<a href="#">9321075M51</a> O-ring (6f5)	<a href="#">Buy now</a>

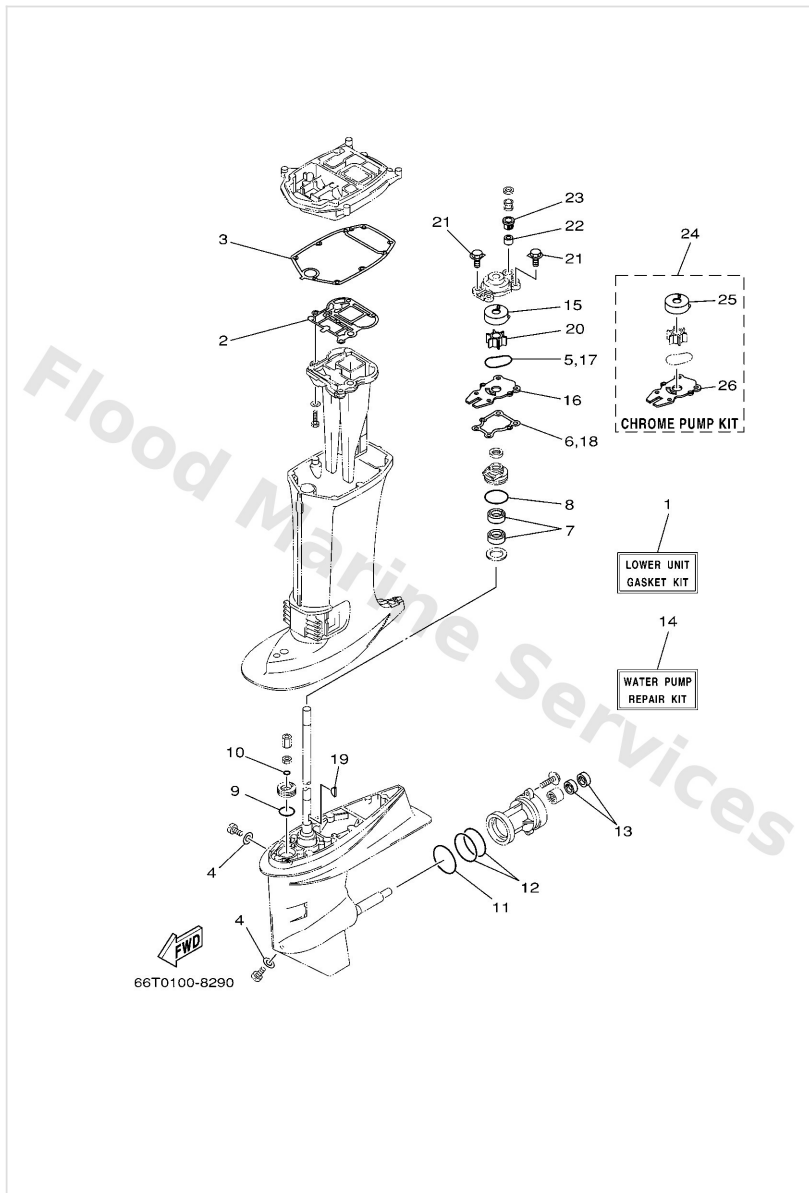
# Repair Kit 1



Ref	Part	
16	<a href="#">66TW009301</a> Carburetor repair kit	<a href="#">Buy now</a>
19	<a href="#">66T1438401</a> Gasket, float chamber	<a href="#">Buy now</a>
20	<a href="#">66T1453601</a> Gasket	<a href="#">Buy now</a>
21	<a href="#">6E51432303</a> Screw, air adjusting	<a href="#">Buy now</a>
22	<a href="#">6E51454600</a> Valve, needle	<a href="#">Buy now</a>
23	<a href="#">6E51438502</a> Float	<a href="#">Buy now</a>
24	<a href="#">6E51438602</a> Pin, float	<a href="#">Buy now</a>
25	<a href="#">66T1498400</a> Gasket, float chamber	<a href="#">Buy now</a>
26	<a href="#">66T1499200</a> Plug	<a href="#">Buy now</a>
27	<a href="#">66T1495900</a> Gasket	<a href="#">Buy now</a>
28	<a href="#">9798005125</a> Screw, panhead (a93)	<a href="#">Buy now</a>

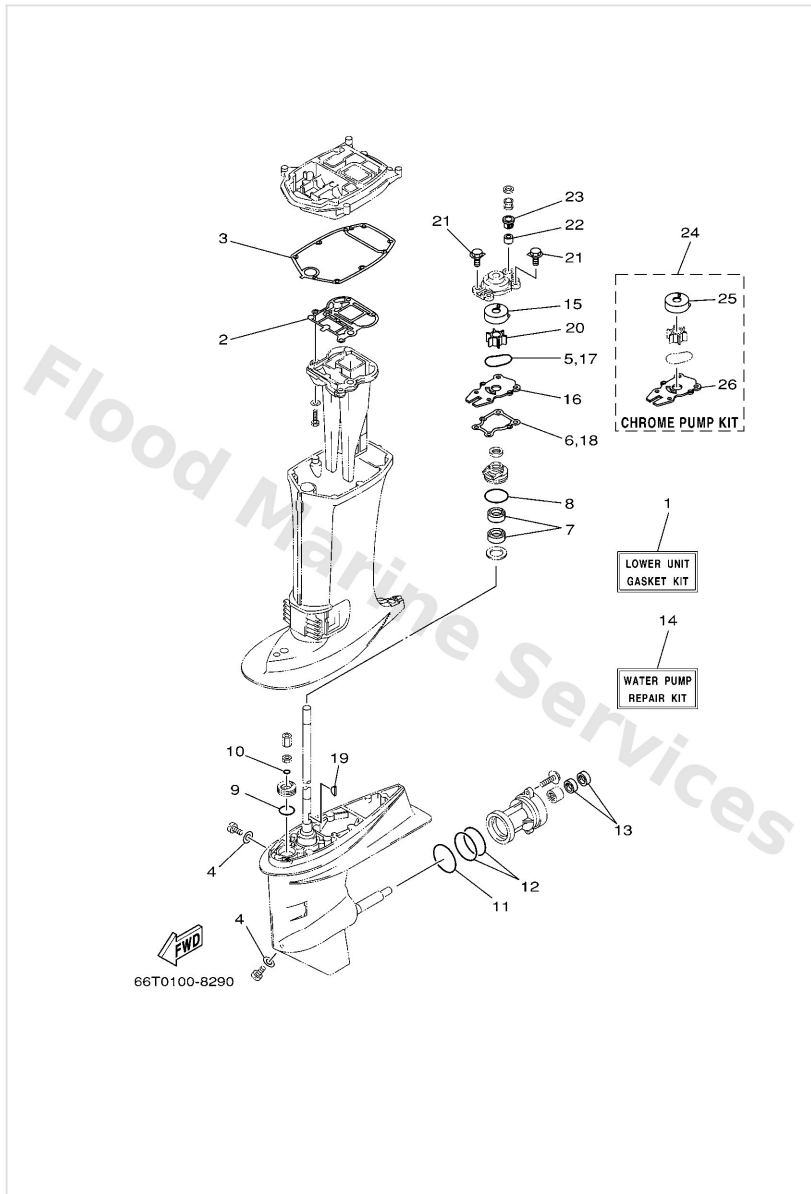


# Repair Kit 2



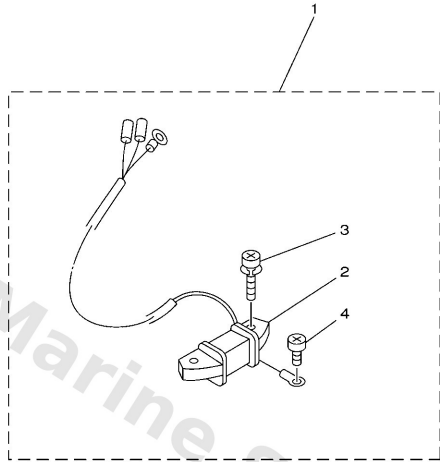
Ref	Part	
1	<a href="#">66TW000121</a> Lower unit gasket kit	<a href="#">Buy now</a>
2	<a href="#">66T41133A0</a> Gasket, exhaust manifold 1	<a href="#">Buy now</a>
3	<a href="#">66T45114A0</a> Gasket, upper casing	<a href="#">Buy now</a>
4	<a href="#">9043008020</a> Gasket	<a href="#">Buy now</a>
5	<a href="#">9321059MG7</a> O-ring	<a href="#">Buy now</a>
6	<a href="#">63D4431600</a> Gasket, water pump	<a href="#">Buy now</a>
7	<a href="#">9310122M60</a> Oil seal	<a href="#">Buy now</a>
8	<a href="#">9321048001</a> O-ring	<a href="#">Buy now</a>
9	<a href="#">9321033MG4</a> O-ring	<a href="#">Buy now</a>
10	<a href="#">9321006ME6</a> O-ring	<a href="#">Buy now</a>
11	<a href="#">9321069MG6</a> O-ring	<a href="#">Buy now</a>
12	<a href="#">9321074MG5</a> O-ring (sea)	<a href="#">Buy now</a>
13	<a href="#">9310122M00</a> Oil seal (22x36x6-663)	<a href="#">Buy now</a>
14	<a href="#">66TW007800</a> Water pump repair kit	<a href="#">Buy now</a>
15	<a href="#">63D4432200</a> Insert, cartridge	<a href="#">Buy now</a>

# Repair Kit 2



Ref	Part	
16	<a href="#">66T4432300</a> Outer plate, cartridge	<a href="#">Buy now</a>
19	<a href="#">9028003M03</a> Key, woodruff (697)	<a href="#">Buy now</a>
20	<a href="#">6H44435202</a> Impeller	<a href="#">Buy now</a>
21	<a href="#">9011908M15</a> Bolt, with washer(62w)	<a href="#">Buy now</a>
22	<a href="#">6634436600</a> Damper, water seal 2	<a href="#">Buy now</a>
23	<a href="#">63D4431200</a> Cover, water pump housing	<a href="#">Buy now</a>
24	<a href="#">66TW00780A</a> Chrome pump kit	<a href="#">Buy now</a>
25	<a href="#">63D4432240</a> Insert, cartridge	<a href="#">Buy now</a>
26	<a href="#">66T4432340</a> Outer plate, cartridge	<a href="#">Buy now</a>

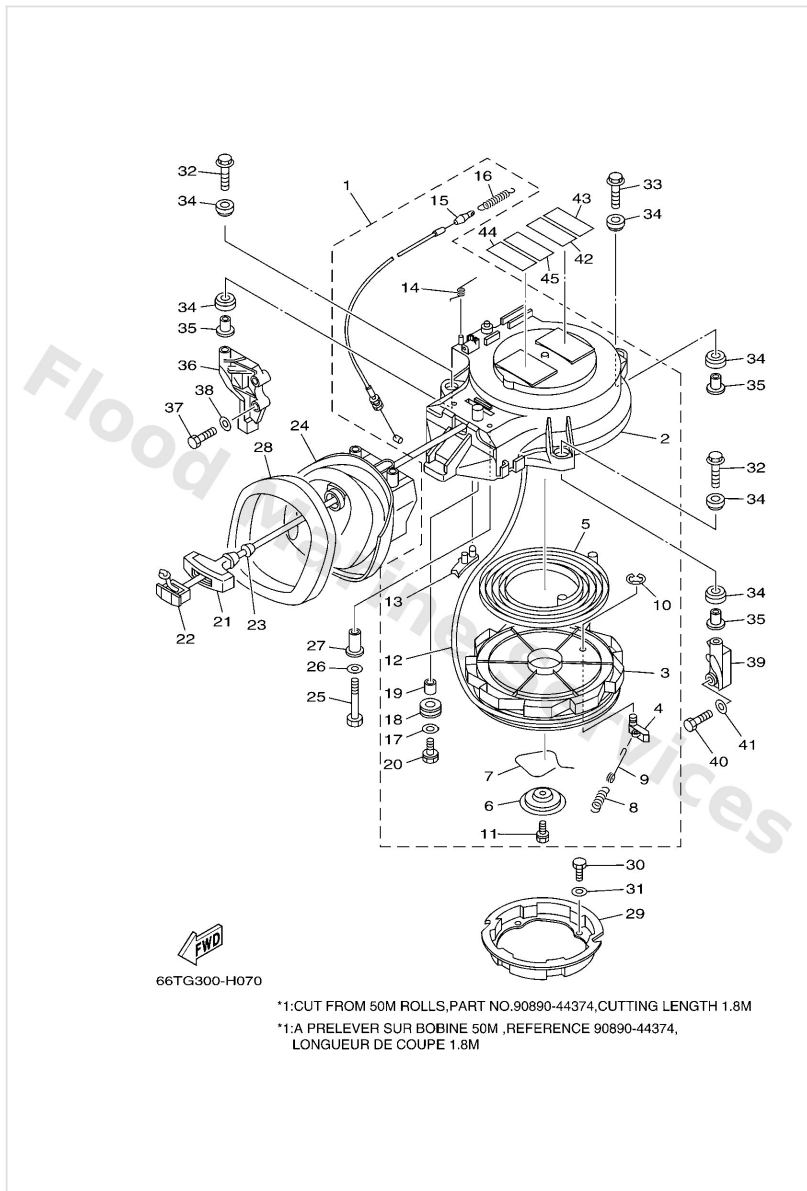
## Repair Kit 3



  
66T0010-9270

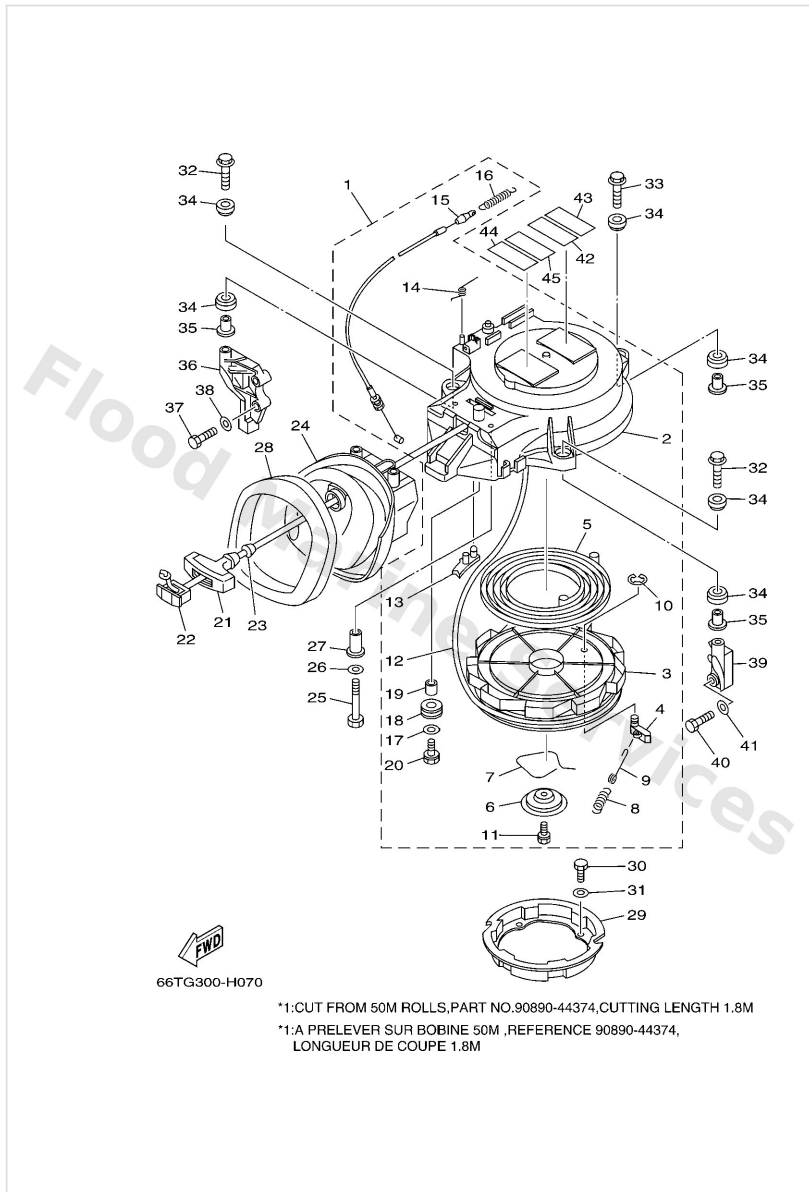
Ref	Part	
1	<a href="#">66T8130300</a> Lighting coil assembly AP	<a href="#">Buy now</a>
2	<a href="#">66T8553300</a> Coil, lighting	<a href="#">Buy now</a>
3	<a href="#">9790206125</a> Screw, pan head (76t)	<a href="#">Buy now</a>
4	<a href="#">9780204006</a> Screw, pan head(3xp)	<a href="#">Buy now</a>

# Starter



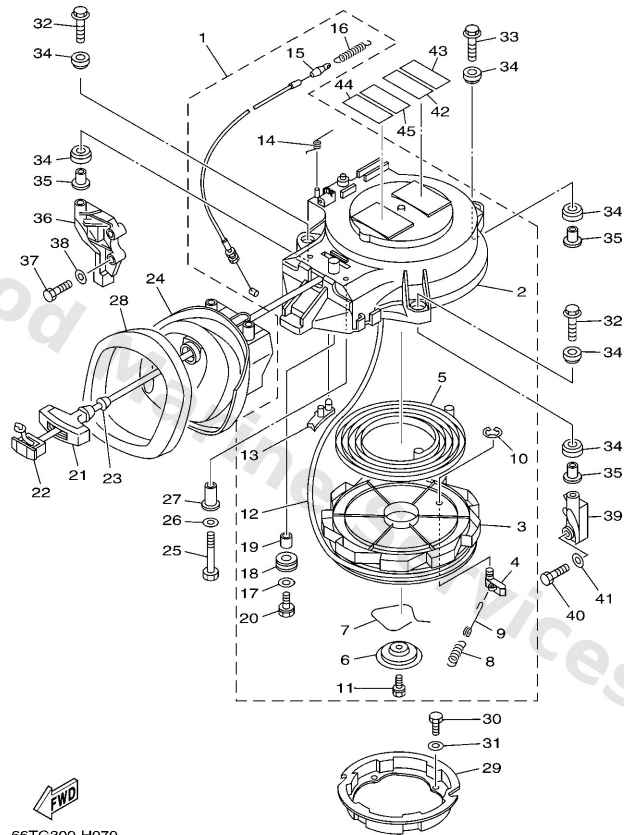
Ref	Part	
1	<a href="#">66T1571001</a> Starter assembly	<a href="#">Buy now</a>
2	<a href="#">66T1571101</a> Case, starter	<a href="#">Buy now</a>
3	<a href="#">66T1571400</a> Drum, sheave	<a href="#">Buy now</a>
4	<a href="#">63V1574100</a> Pawl, drive	<a href="#">Buy now</a>
5	<a href="#">66T1571300</a> Spring, starter	<a href="#">Buy now</a>
6	<a href="#">66T1571600</a> Plate, drive	<a href="#">Buy now</a>
7	<a href="#">66T1570500</a> Spring, drive pawl	<a href="#">Buy now</a>
8	<a href="#">66T1576700</a> Spring	<a href="#">Buy now</a>
9	<a href="#">66T1578400</a> Spring, return	<a href="#">Buy now</a>
10	<a href="#">63V1574400</a> Circlip	<a href="#">Buy now</a>
11	<a href="#">63V1576800</a> Screw	<a href="#">Buy now</a>
12	* item_description *1	<a href="#">Buy now</a>
13	<a href="#">66T1579400</a> Stopper	<a href="#">Buy now</a>
14	<a href="#">66T1573400</a> Spring, return	<a href="#">Buy now</a>
15	<a href="#">66T1577000</a> Cable comp., starter stop	<a href="#">Buy now</a>

# Starter



Ref	Part	
16	<a href="#">66T1573100</a> Retainer, spring	<a href="#">Buy now</a>
17	<a href="#">6F51579100</a> Washer, lock	<a href="#">Buy now</a>
18	<a href="#">6F51575200</a> Roller, wire	<a href="#">Buy now</a>
19	<a href="#">6F51575300</a> Bushing 1	<a href="#">Buy now</a>
20	<a href="#">6F51576800</a> Bolt	<a href="#">Buy now</a>
21	<a href="#">6891575501</a> Handle, starter	<a href="#">Buy now</a>
22	<a href="#">6F51577902</a> Cover	<a href="#">Buy now</a>
23	<a href="#">6971578900</a> Damper	<a href="#">Buy now</a>
24	<a href="#">66T1575801</a> Guide, rope	<a href="#">Buy now</a>
25	<a href="#">9709506035</a> Bolt(j52)	<a href="#">Buy now</a>
26	<a href="#">9299506600</a> Washer, plain (646)	<a href="#">Buy now</a>
27	<a href="#">9038706M66</a> Collar (6h4)	<a href="#">Buy now</a>
28	<a href="#">66T1576201</a> Seal, rubber 2	<a href="#">Buy now</a>
29	<a href="#">66T1572300</a> Pulley, starter	<a href="#">Buy now</a>
30	<a href="#">9709506010</a> Bolt	<a href="#">Buy now</a>

# Starter



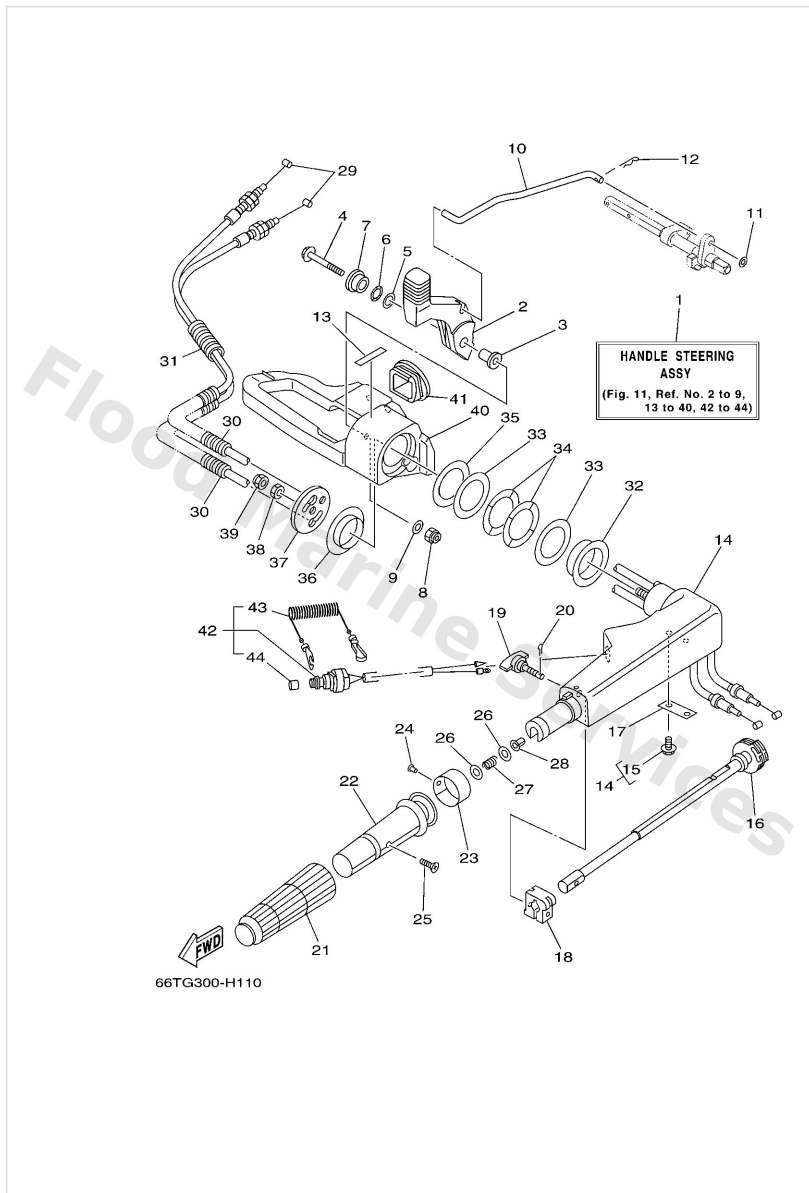
66TG300-H070

\*1: CUT FROM 50M ROLLS, PART NO. 90890-44374, CUTTING LENGTH 1.8M

\*1: A PRELEVER SUR BOBINE 50M , REFERENCE 90890-44374, LONGUEUR DE COUPE 1.8M

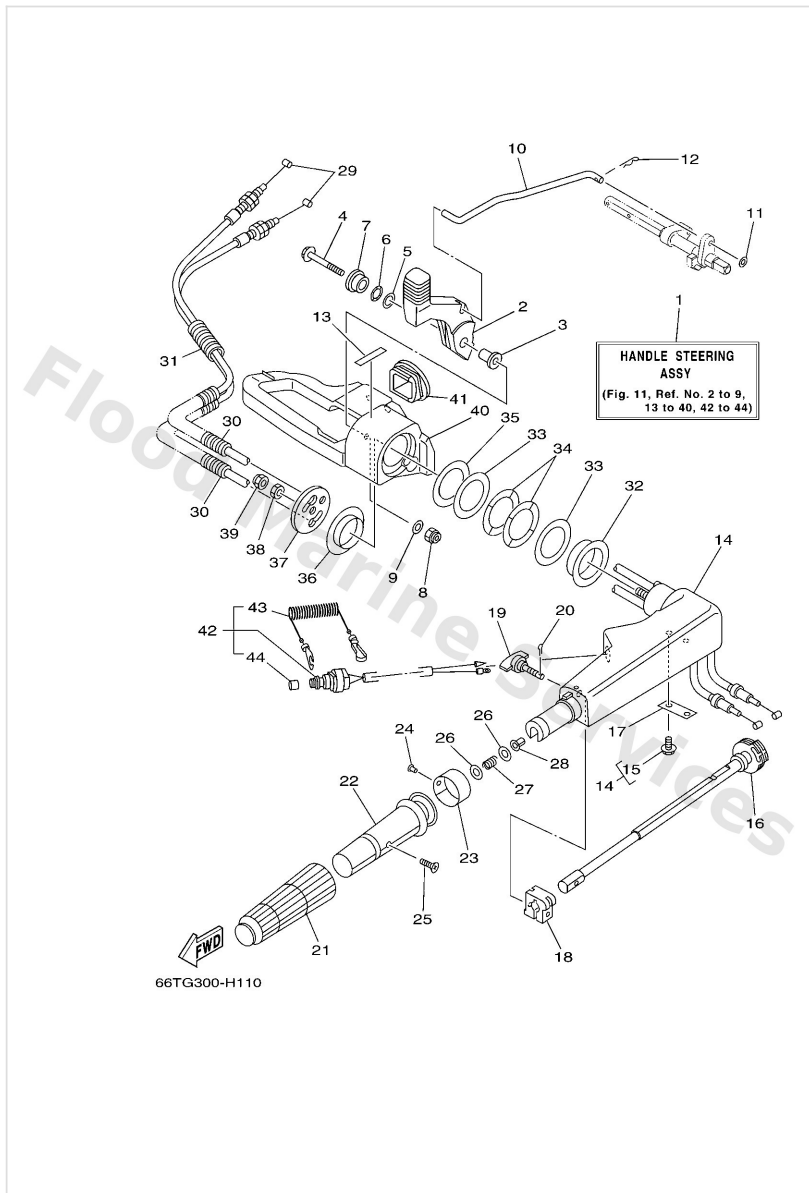
Ref	Part	
32	<a href="#">9011908M10</a> Bolt, with washer	<a href="#">Buy now</a>
33	<a href="#">9011908M51</a> Bolt, with washer	<a href="#">Buy now</a>
34	<a href="#">9038512M04</a> Bushing (6f5)	<a href="#">Buy now</a>
35	<a href="#">9038708M05</a> Collar (663)	<a href="#">Buy now</a>
36	<a href="#">66T157710094</a> Stay 1	<a href="#">Buy now</a>
37	<a href="#">9701306030</a> Bolt	<a href="#">Buy now</a>
38	<a href="#">9290306600</a> Washer, plain (646)	<a href="#">Buy now</a>
39	<a href="#">66T157720094</a> Stay 2	<a href="#">Buy now</a>
42	<a href="#">6AH8199440</a> Label, safety	<a href="#">Buy now</a>
43	<a href="#">6AH8199450</a> Label, safety	<a href="#">Buy now</a>
44	<a href="#">6AH8199540</a> Label, warning	<a href="#">Buy now</a>
45	<a href="#">6AH8199550</a> Label, warning	<a href="#">Buy now</a>

# Steering



Ref	Part	
1	<a href="#">66TW0084024D</a> Handle steering assembly	<a href="#">Buy now</a>
2	<a href="#">66T4411102</a> Handle, gear shift	<a href="#">Buy now</a>
3	<a href="#">9038706M86</a> Collar	<a href="#">Buy now</a>
4	<a href="#">9759506550</a> Bolt, hexagon w/w deep recess	<a href="#">Buy now</a>
5	<a href="#">9020112M07</a> Washer, plate	<a href="#">Buy now</a>
6	<a href="#">9020612052</a> Washer, wave (666)	<a href="#">Buy now</a>
7	<a href="#">66T4212300</a> Bolt, handle joint	<a href="#">Buy now</a>
8	<a href="#">9578006300</a> Nut, nylon (6g1)	<a href="#">Buy now</a>
9	<a href="#">9299506200</a> Ybs66-6 washer, plain	<a href="#">Buy now</a>
10	<a href="#">66T4412400</a> Link, shift rod	<a href="#">Buy now</a>
11	<a href="#">9299006200</a> Ybs66-6 washer, plain	<a href="#">Buy now</a>
12	<a href="#">9046818008</a> Clip 620436610000	<a href="#">Buy now</a>
13	<a href="#">6E04419111</a> Indicator, shift	<a href="#">Buy now</a>
14	<a href="#">65W42101014D</a> Handle, steering	<a href="#">Buy now</a>
15	<a href="#">9010906M86</a> Bolt	<a href="#">Buy now</a>

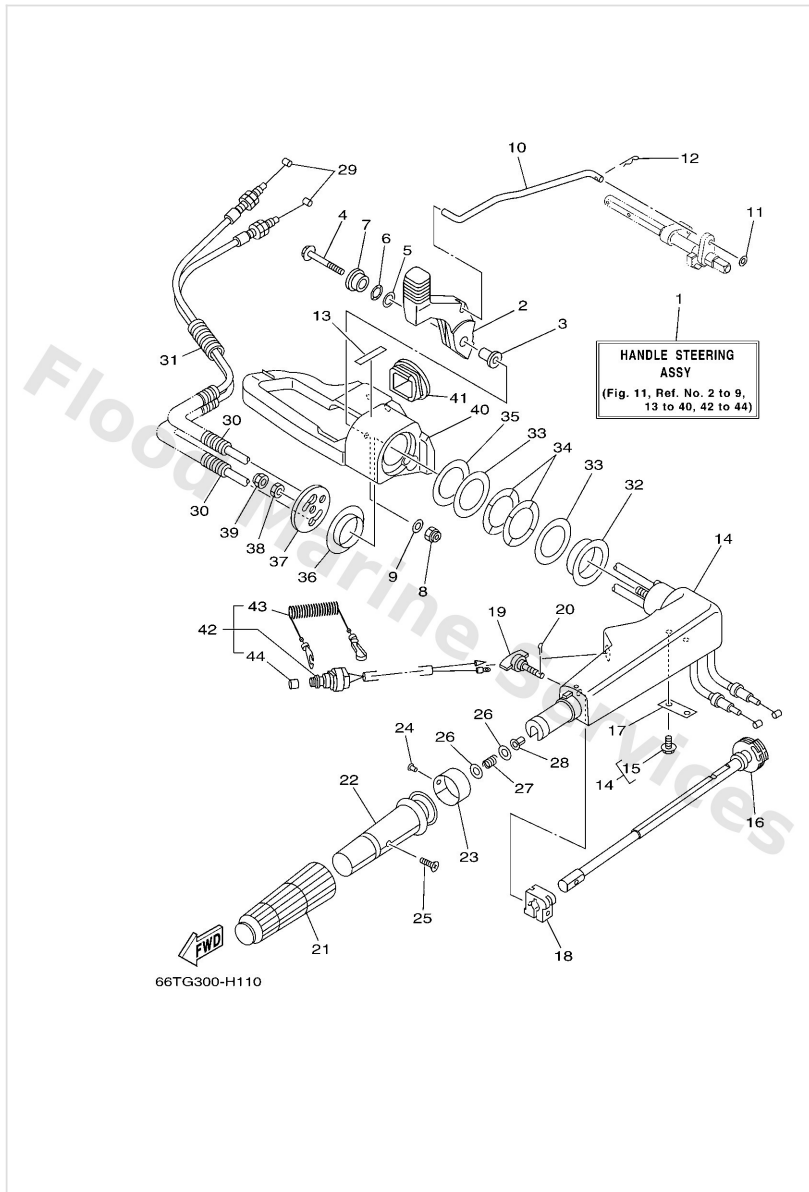
# Steering



Ref	Part	
16	<a href="#">65W4213800</a> Lever, throttle	<a href="#">Buy now</a>
17	<a href="#">65W4215900</a> Stay	<a href="#">Buy now</a>
18	<a href="#">6G14212600</a> Piece, friction	<a href="#">Buy now</a>
19	<a href="#">65W4212500</a> Bolt, friction adjusting	<a href="#">Buy now</a>
20	<a href="#">9149020010</a> Pin, cotter	<a href="#">Buy now</a>
21	<a href="#">6F642177A0</a> Rubber, handle	<a href="#">Buy now</a>
22	<a href="#">6644211900</a> Grip, steering handle	<a href="#">Buy now</a>
23	<a href="#">6G14213710</a> Indicator, throttle	<a href="#">Buy now</a>
24	<a href="#">9026902M09</a> Rivet(615)	<a href="#">Buy now</a>
25	<a href="#">9015205011</a> Screw, countersunk	<a href="#">Buy now</a>
26	<a href="#">9020110M02</a> Washer, plate(6g9)	<a href="#">Buy now</a>
27	<a href="#">9050123215</a> Spring (655)	<a href="#">Buy now</a>
28	<a href="#">9038608032</a> Bushing (650)	<a href="#">Buy now</a>
29	<a href="#">66T2630100</a> Throttle cable assembly	<a href="#">Buy now</a>
30	<a href="#">9044610M87</a> Hose	<a href="#">Buy now</a>

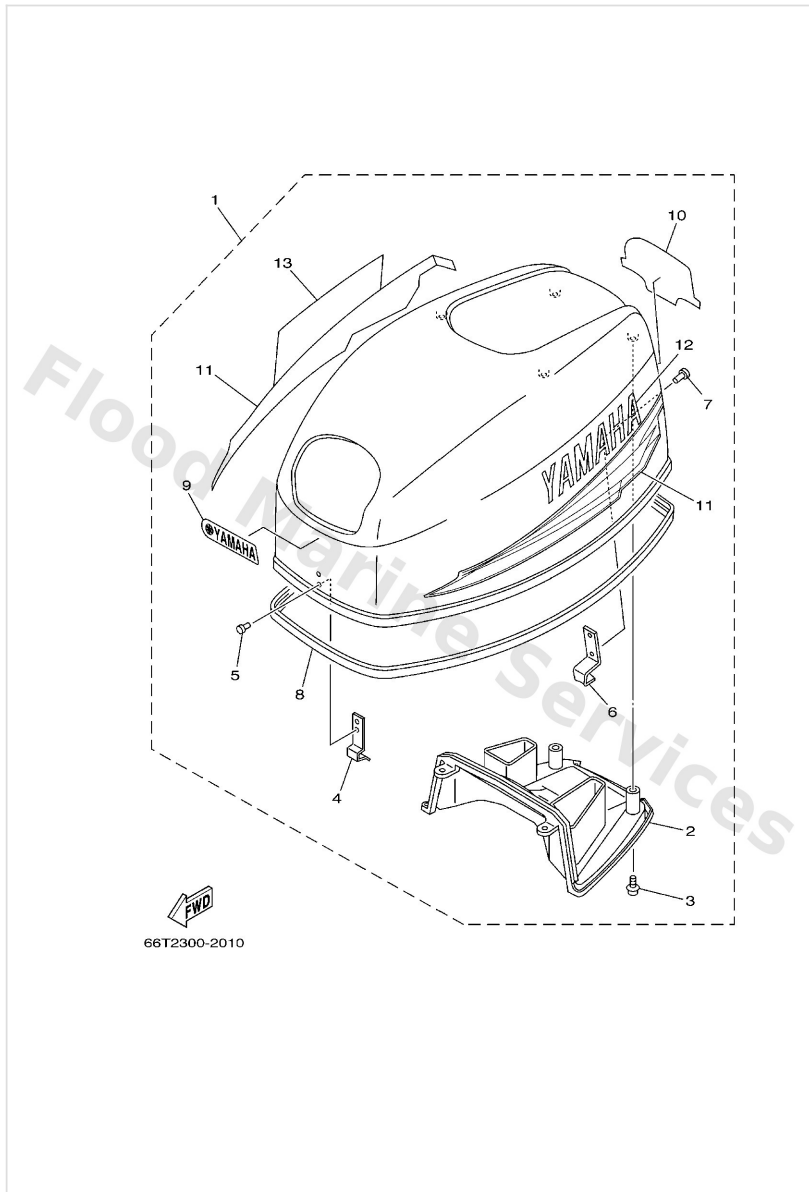


# Steering



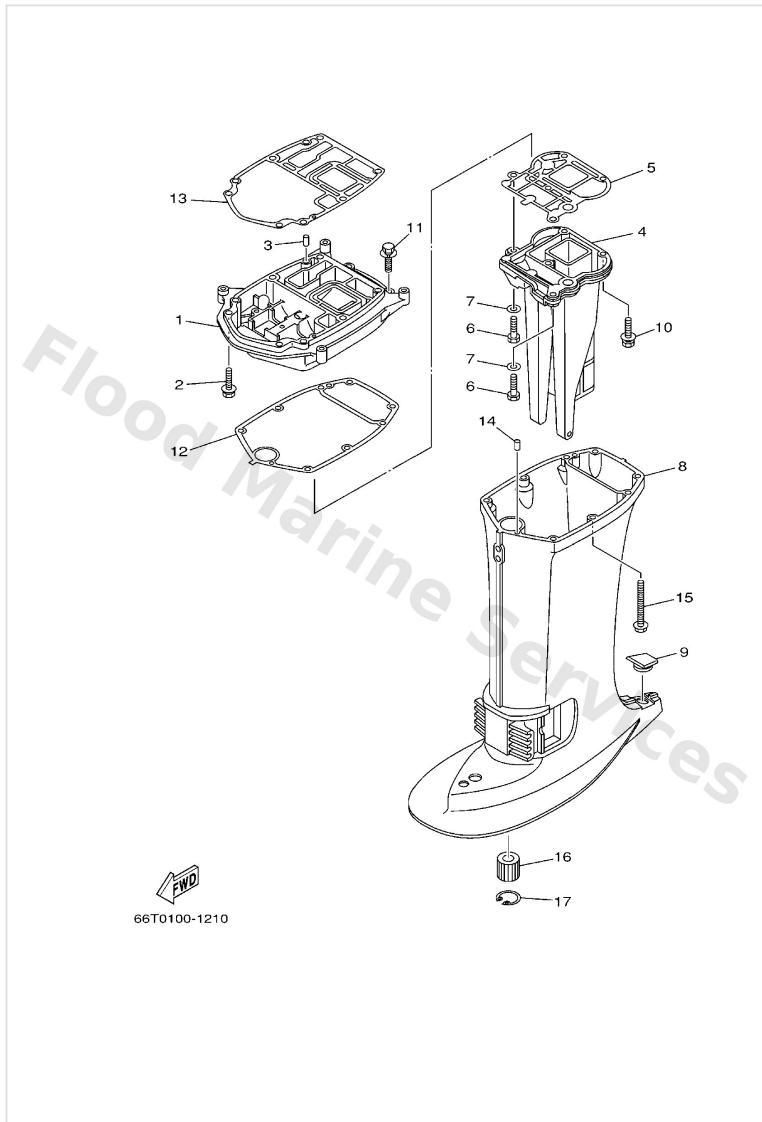
Ref	Part	
31	<a href="#">9044610M86</a> Hose	<a href="#">Buy now</a>
32	<a href="#">9038640MA0</a> Bushing	<a href="#">Buy now</a>
33	<a href="#">9020143M00</a> Washer, plate	<a href="#">Buy now</a>
34	<a href="#">9020643M22</a> Washer, wave	<a href="#">Buy now</a>
35	<a href="#">9020243M57</a> Washer, plate	<a href="#">Buy now</a>
36	<a href="#">9038640M99</a> Bush	<a href="#">Buy now</a>
37	<a href="#">65W4213101</a> Cover, handle steering	<a href="#">Buy now</a>
38	<a href="#">9538010700</a> Nut (682)	<a href="#">Buy now</a>
39	<a href="#">9578010300</a> Nut, nylon (6e5)	<a href="#">Buy now</a>
40	<a href="#">65W42121014D</a> Bracket	<a href="#">Buy now</a>
41	<a href="#">66T4127300</a> Grommet	<a href="#">Buy now</a>
42	<a href="#">66T8257501</a> Engine stop switch assembly	<a href="#">Buy now</a>
43	<a href="#">6828255600</a> Lanyard, stop switch	<a href="#">Buy now</a>
44	<a href="#">6898257Y00</a> Cap	<a href="#">Buy now</a>

# Top Cowling



Ref	Part	
1	<a href="#">66T42610C0</a> Top Cowling assembly	<a href="#">Buy now</a>
2	<a href="#">66T4261301</a> Molding, air duct	<a href="#">Buy now</a>
3	<a href="#">9778050616</a> Screw, pan head tapping (ak5)	<a href="#">Buy now</a>
4	<a href="#">6E04265102</a> Hook	<a href="#">Buy now</a>
5	<a href="#">9026604M04</a> Rivet(6e7)	<a href="#">Buy now</a>
6	<a href="#">6F54265201</a> Hook	<a href="#">Buy now</a>
7	<a href="#">9026604M01</a> Rivet (689)	<a href="#">Buy now</a>
8	<a href="#">66T4261502</a> Seal	<a href="#">Buy now</a>
9	<a href="#">68842677D0</a> Graphic, front	<a href="#">Buy now</a>
10	<a href="#">63D4267811</a> Graphic, rear	<a href="#">Buy now</a>
11	<a href="#">63DW007010</a> Graphic set	<a href="#">Buy now</a>
12	<a href="#">63D4268110</a> Mark, cowling	<a href="#">Buy now</a>
13	<a href="#">63D4268210</a> Mark, cowling	<a href="#">Buy now</a>

# Upper Casing



Ref	Part	
1	<a href="#">66T4113700CA</a> Guide, exhaust	<a href="#">Buy now</a>
2	<a href="#">9011908M79</a> Bolt, hexagon (fj1)	<a href="#">Buy now</a>
3	<a href="#">9360612019</a> Pin, dowel (614)	<a href="#">Buy now</a>
4	<a href="#">66T4113110CA</a> Manifold, ext. 1 L(21.7")	<a href="#">Buy now</a>
5	<a href="#">66T41133A0</a> Gasket, exhaust manifold 1	<a href="#">Buy now</a>
6	<a href="#">9707508030</a> Bolt, hexagon (fj1)	<a href="#">Buy now</a>
7	<a href="#">9299508600</a> Washer, plain (663)	<a href="#">Buy now</a>
8	<a href="#">66T45111104D</a> Casing, upper L(21.7")	<a href="#">Buy now</a>
9	<a href="#">63D4515500</a> Cap	<a href="#">Buy now</a>
10	<a href="#">9757508545</a> Bolt, hexagon w/w deep recess	<a href="#">Buy now</a>
12	<a href="#">66T45114A0</a> Gasket, upper casing	<a href="#">Buy now</a>
13	<a href="#">66T45113A0</a> Gasket, upper casing	<a href="#">Buy now</a>
15	<a href="#">9011908M42</a> Bolt, with washer	<a href="#">Buy now</a>
16	<a href="#">6794531800</a> Bushing, drive shaft 3 L(21.7")	<a href="#">Buy now</a>
17	<a href="#">9342030042</a> Circlip (650) L(21.7")	<a href="#">Buy now</a>

# Disclaimer

This document is provided for convenience only. It is **not** an official Yamaha publication and is **not supplied, endorsed, or approved** by Yamaha Motor Co., Ltd.

Reasonable efforts are made to keep information accurate; however diagrams, part references, supersessions, descriptions, and applicability may contain errors or omissions. Specifications and part availability may change without notice.

You are responsible for confirming the correct parts for your engine (including model code, year, serial range, and any superseded part numbers) before ordering or fitting.