



# Yamaha 50DEMTO 1992

## Parts Manual

[www.floodmarine.co.uk](http://www.floodmarine.co.uk)

+44 2882 246 539

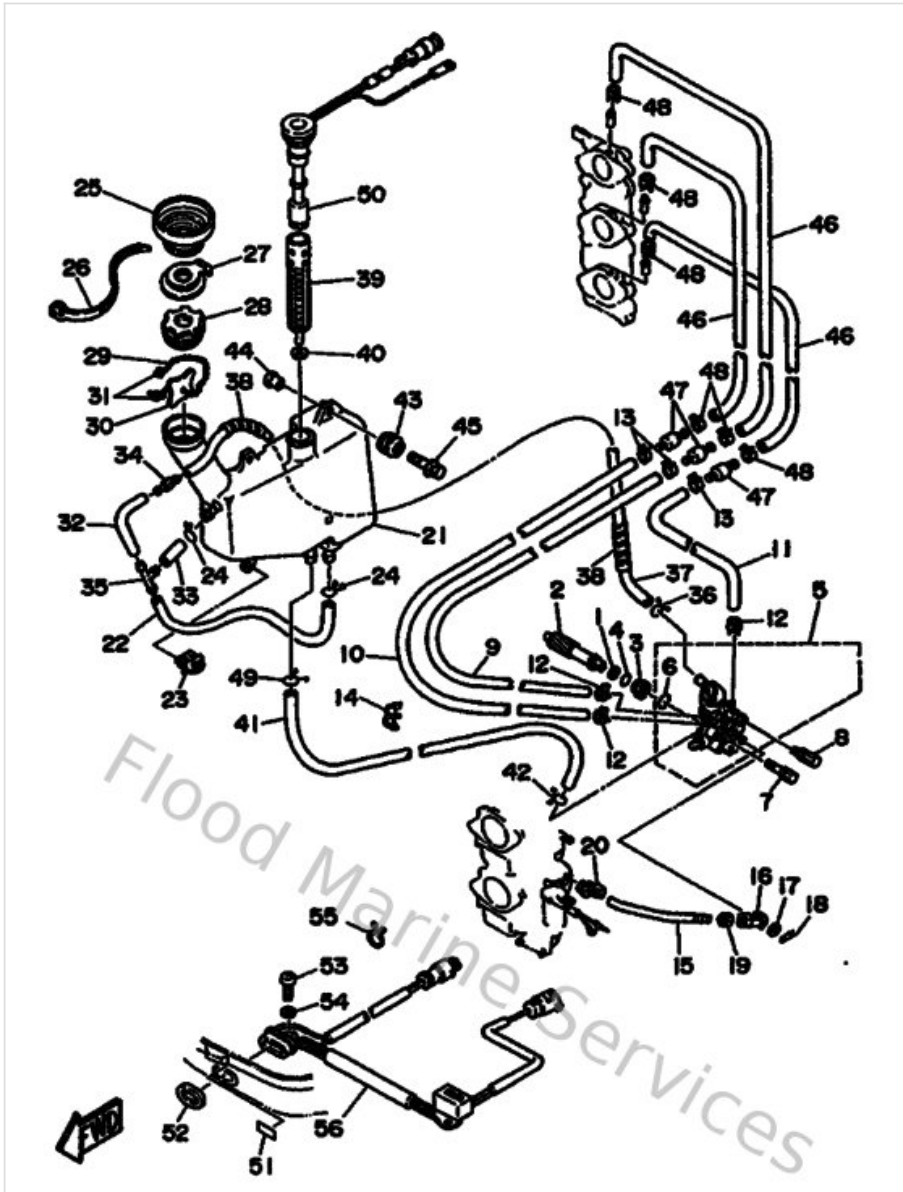
Authorised Yamaha Dealers



# Contents

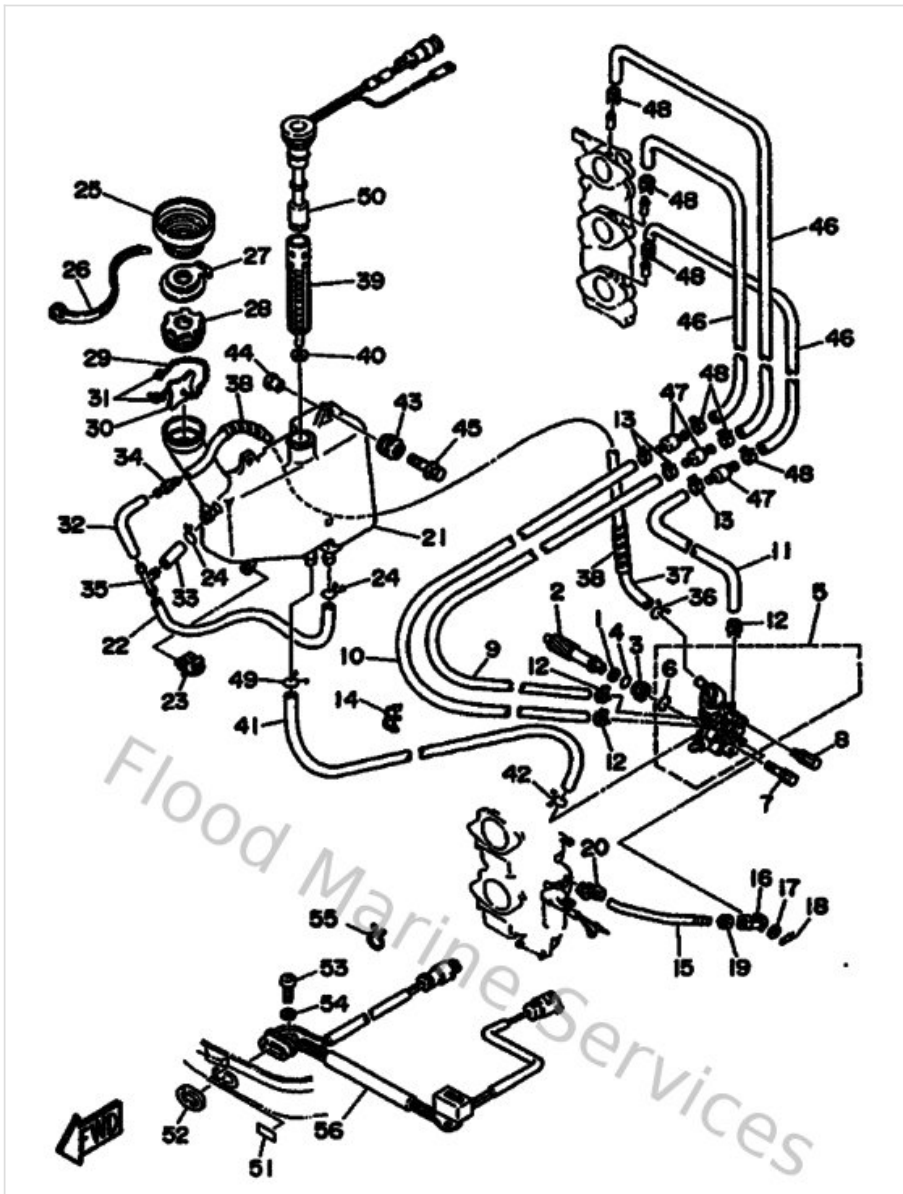
<b>Alternate 1</b>	3
<b>Alternate 10</b>	7
<b>Alternate 2</b>	10
<b>Alternate 3</b>	11
<b>Alternate 4</b>	16
<b>Alternate 5</b>	17
<b>Alternate 6</b>	21
<b>Alternate 7</b>	24
<b>Alternate 8</b>	27
<b>Alternate 9</b>	29
<b>Bottom Cowling</b>	32
<b>Bracket</b>	34
<b>Carburetor</b>	39
<b>Control</b>	42
<b>Crankshaft &amp; Piston</b>	44
<b>Cylinder &amp; Crankcase</b>	46
<b>Electrical</b>	48
<b>Fuel</b>	50
<b>Fuel 2</b>	53
<b>Intake</b>	54
<b>Lower Casing &amp; Drive 1</b>	56
<b>Lower Casing &amp; Drive 2</b>	60
<b>Magneto</b>	62
<b>Oil Pump</b>	64
<b>Optional Parts 1</b>	67
<b>Optional Parts 2</b>	69
<b>Optional Parts 3</b>	71
<b>Optional Parts 4</b>	73
<b>Remote Control</b>	75
<b>Remote Control Assy 1</b>	76
<b>Remote Control Assy 2</b>	79
<b>Repair Kit 1</b>	83
<b>Repair Kit 2</b>	85
<b>Starter</b>	87
<b>Steering Guide Attachment 1</b>	90
<b>Steering Guide Attachment 2</b>	92
<b>Top Cowling</b>	94
<b>Upper Casing</b>	95

# Alternate 1



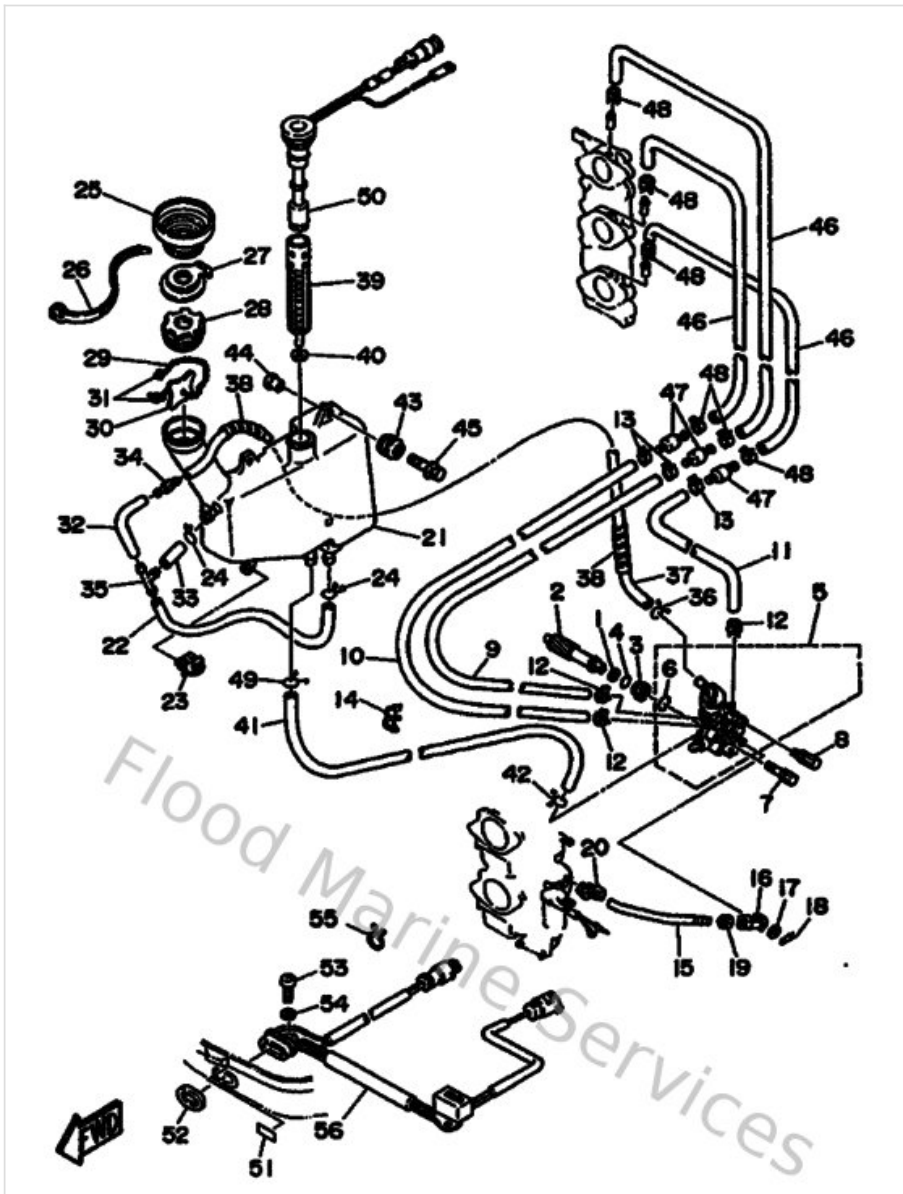
Ref	Part	
1	<a href="#">9020108M9300</a> Washer, plate (6g5)	<a href="#">Buy now</a>
2	<a href="#">6H4115370000</a> Gear, driven	<a href="#">Buy now</a>
3	<a href="#">6H1131170100</a> Collar, distance	<a href="#">Buy now</a>
4	<a href="#">932101359500</a> 93210-13m04	<a href="#">Buy now</a>
6	<a href="#">9321019MA700</a> O-ring(6r0)	<a href="#">Buy now</a>
7	<a href="#">9010906M3900</a> Bolt(6h0)	<a href="#">Buy now</a>
8	<a href="#">9010906M4000</a> Bolt(6h0)	<a href="#">Buy now</a>
9	<a href="#">9044507M9000</a> Hose (l390)	<a href="#">Buy now</a>
10	<a href="#">9044507M2300</a> Hose (l570)	<a href="#">Buy now</a>
11	<a href="#">9044507MA600</a> Hose (l200)	<a href="#">Buy now</a>
12	<a href="#">9046807M0200</a> Clip (6e5)	<a href="#">Buy now</a>
14	<a href="#">9046407M2000</a> Clamp(6h0)	<a href="#">Buy now</a>
15	<a href="#">6H4412410100</a> Rod, link	<a href="#">Buy now</a>
16	<a href="#">6H1412370000</a> Joint, link	<a href="#">Buy now</a>
17	<a href="#">902020508800</a> Washer, plate (666)	<a href="#">Buy now</a>

# Alternate 1



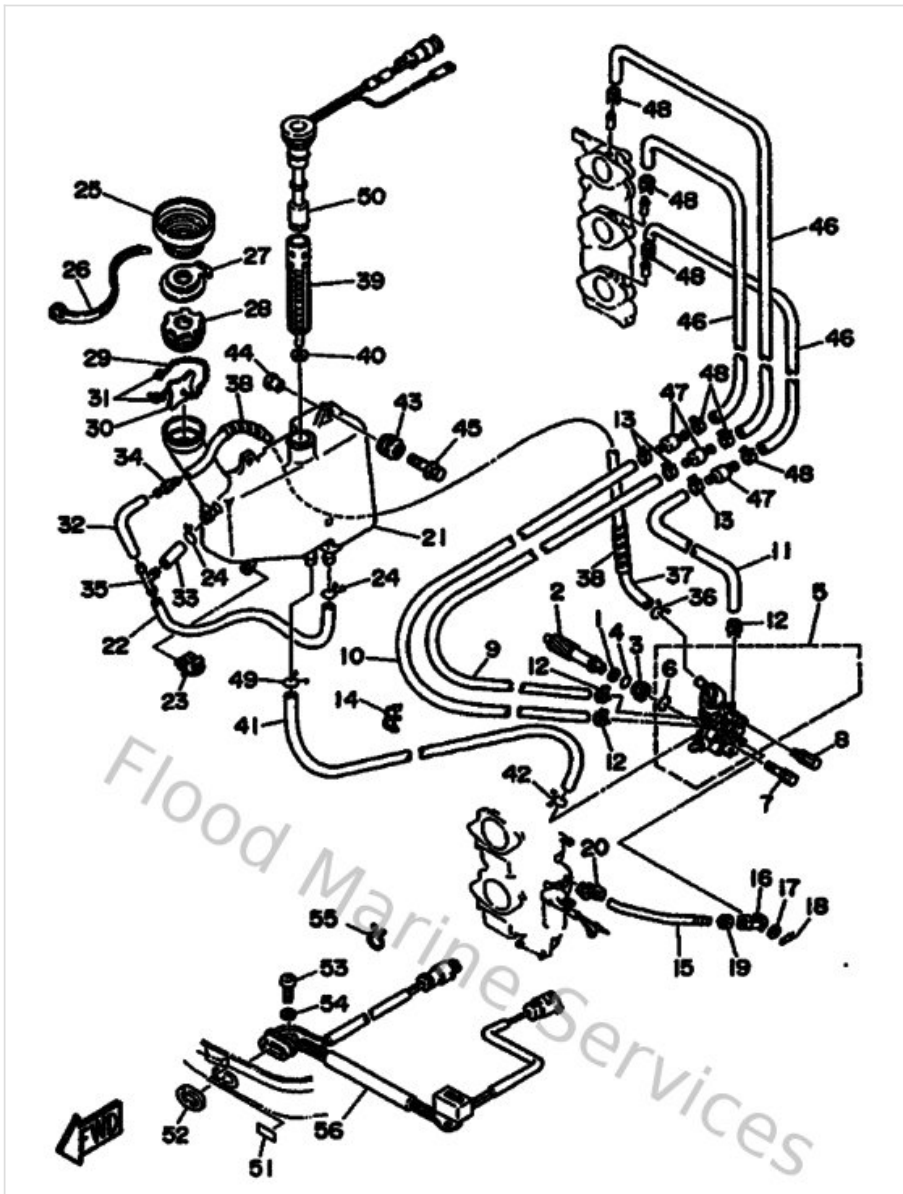
Ref	Part	
18	<a href="#">9046805M0300</a> Clip(6j8)	<a href="#">Buy now</a>
19	<a href="#">953800560000</a> Nut, hexagon (663)	<a href="#">Buy now</a>
20	<a href="#">6R5412370000</a> Joint, link	<a href="#">Buy now</a>
21	<a href="#">6H4217070400</a> Oil Tank Comp	<a href="#">Buy now</a>
22	<a href="#">9044511M1500</a> Hose (I360)	<a href="#">Buy now</a>
23	<a href="#">9046411M2300</a> Clamp(6h4)	<a href="#">Buy now</a>
24	<a href="#">9046711M0800</a> Clip(72x)	<a href="#">Buy now</a>
25	<a href="#">6H4217520000</a> Tube, filler 1	<a href="#">Buy now</a>
26	<a href="#">9046513M3000</a> Clamp	<a href="#">Buy now</a>
27	<a href="#">6H12176M0100</a> Hook	<a href="#">Buy now</a>
28	<a href="#">6H4217700000</a> Oil tank cap assembly	<a href="#">Buy now</a>
30	<a href="#">6J8217580000</a> Washer, special 2	<a href="#">Buy now</a>
31	<a href="#">6H1217570000</a> Washer, special 1	<a href="#">Buy now</a>
32	<a href="#">9044511M2300</a> Hose (I100)	<a href="#">Buy now</a>
33	<a href="#">9044511M0700</a> Hose (I70)	<a href="#">Buy now</a>

# Alternate 1



Ref	Part	
34	<a href="#">6J8217440000</a> Breather	<a href="#">Buy now</a>
35	<a href="#">6E5243780000</a> Pipe, joint 3	<a href="#">Buy now</a>
36	<a href="#">9046710M0400</a> Clip, pipe 1 (6e9)	<a href="#">Buy now</a>
38	<a href="#">9044610M0100</a> Tube (6e5)	<a href="#">Buy now</a>
39	<a href="#">6J8134110000</a> Strainer, oil	<a href="#">Buy now</a>
40	<a href="#">6J8134140000</a> Gasket, strainer cover	<a href="#">Buy now</a>
41	<a href="#">6L2134160000</a> Pipe, oil 1	<a href="#">Buy now</a>
42	<a href="#">904670800400</a> Clip, pipe 6162435600	<a href="#">Buy now</a>
43	<a href="#">6A0823170000</a> Damper, ignition coil	<a href="#">Buy now</a>
44	<a href="#">903870611900</a> Collar	<a href="#">Buy now</a>
45	<a href="#">9011906M6500</a> Bolt, with washer	<a href="#">Buy now</a>
46	<a href="#">9044507M8700</a> Hose(62t)	<a href="#">Buy now</a>
47	<a href="#">6J8131830000</a> Valve check	<a href="#">Buy now</a>
52	<a href="#">6H4835890000</a> Gasket	<a href="#">Buy now</a>
53	<a href="#">925030601500</a> Screw, pan	<a href="#">Buy now</a>

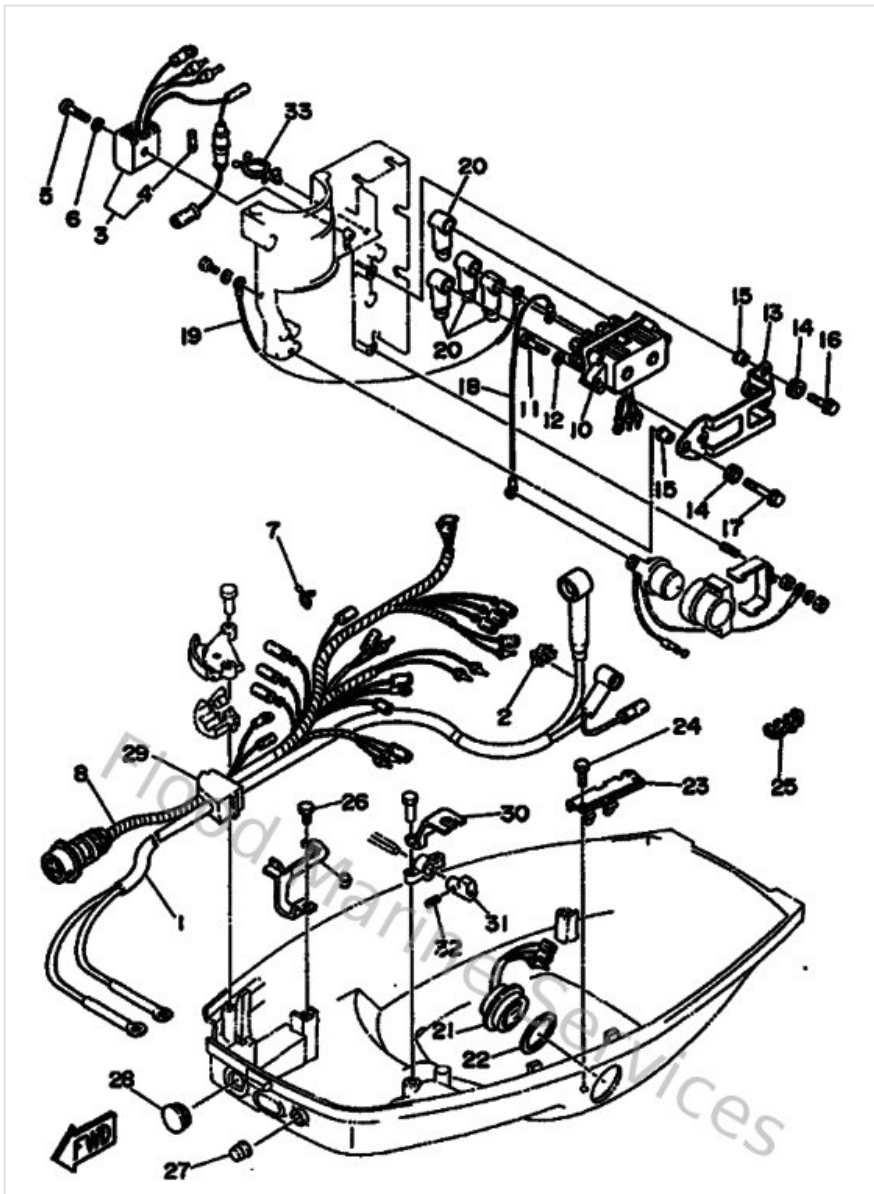
# Alternate 1



Ref	Part	
54	<a href="#">929900660000</a> Washer, plain (646)	<a href="#">Buy now</a>
55	<a href="#">904651814700</a> Clamp	<a href="#">Buy now</a>
56	<a href="#">6H4843010100</a> Pilot Light Assembly 1	<a href="#">Buy now</a>

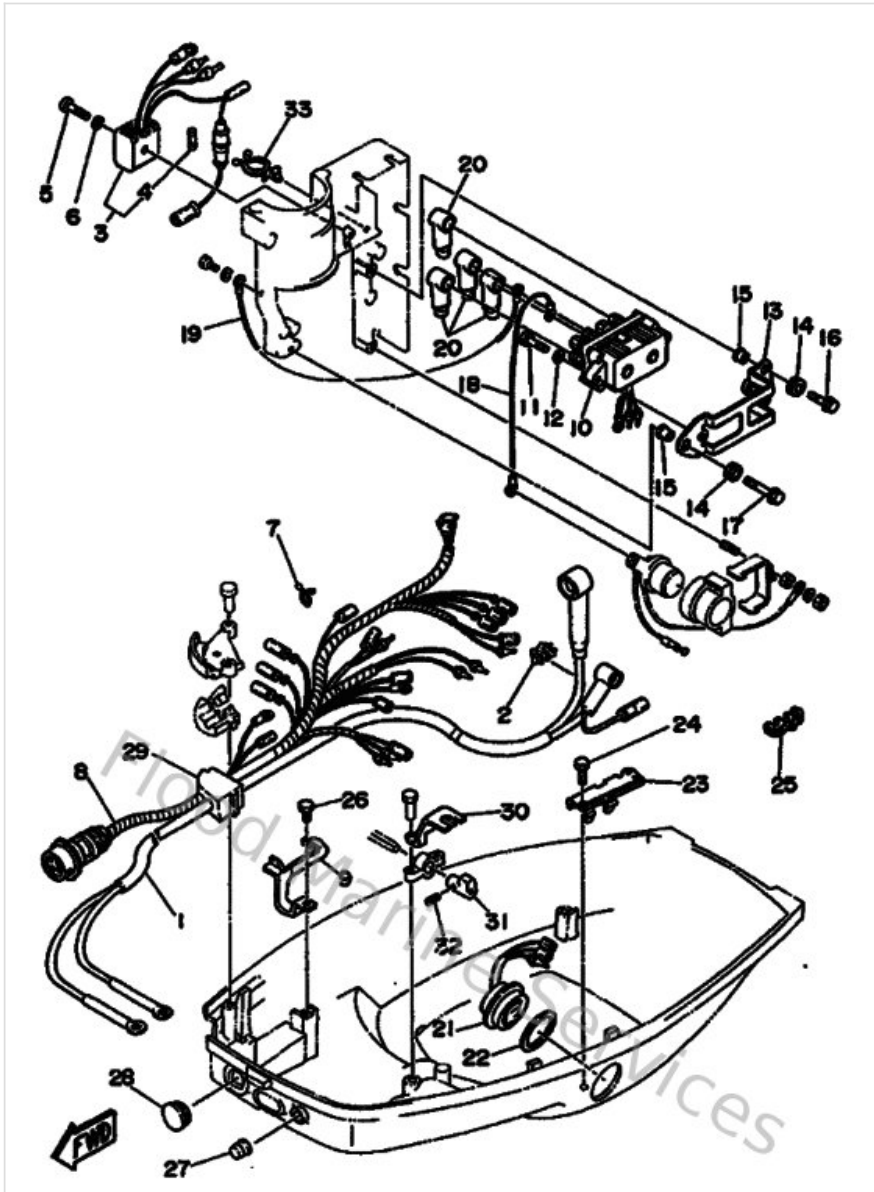


## Alternate 10



Ref	Part	
1	<a href="#">6H4821050100</a> Battery cable	<a href="#">Buy now</a>
2	<a href="#">9046407M2000</a> Clamp(6h0)	<a href="#">Buy now</a>
3	<a href="#">6G1819706200</a> Rectifier assembly	<a href="#">Buy now</a>
4	<a href="#">6G1821510000</a> Fuse (10a)	<a href="#">Buy now</a>
5	<a href="#">985030502500</a> Screw, panhead (a93)	<a href="#">Buy now</a>
6	<a href="#">929900560000</a> Washer, plain (646)	<a href="#">Buy now</a>
7	<a href="#">904651814700</a> Clamp	<a href="#">Buy now</a>
8	<a href="#">6H4825902200</a> Wire harness assembly	<a href="#">Buy now</a>
9	<a href="#">6H4825880000</a> Plate	<a href="#">Buy now</a>
10	<a href="#">6H1819500000</a> Relay aasy	<a href="#">Buy now</a>
11	<a href="#">9010106M2700</a> Bolt	<a href="#">Buy now</a>
12	<a href="#">929900660000</a> Washer, plain (646)	<a href="#">Buy now</a>
13	<a href="#">6H4819452000</a> Plate, switch fitting	<a href="#">Buy now</a>
14	<a href="#">9048013M2400</a> Grommet (6e9)	<a href="#">Buy now</a>
15	<a href="#">9038706M0500</a> Collar(6h4)	<a href="#">Buy now</a>

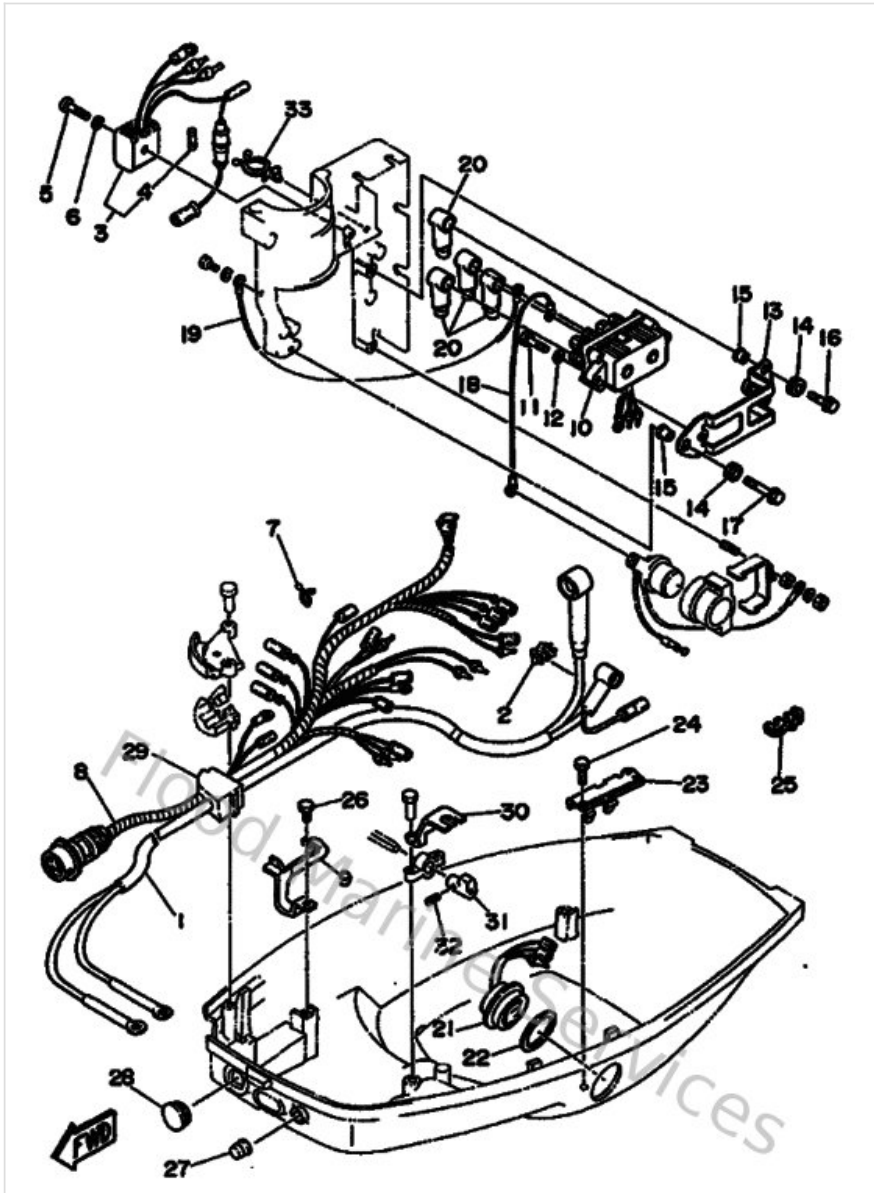
# Alternate 10



Ref	Part	
16	<a href="#">9010506M1500</a> Bolt (6e0)	<a href="#">Buy now</a>
17	<a href="#">9010506M1600</a> Bolt (6e0)	<a href="#">Buy now</a>
18	<a href="#">6H5819490000</a> Wire, lead	<a href="#">Buy now</a>
19	<a href="#">61A819490000</a> Wire, lead	<a href="#">Buy now</a>
20	<a href="#">6G5821191000</a> Cover, lead wire	<a href="#">Buy now</a>
21	<a href="#">6H1825630000</a> Trim & tilt switch assembly	<a href="#">Buy now</a>
22	<a href="#">6E5825870000</a> Gasket	<a href="#">Buy now</a>
23	<a href="#">6E5836140100</a> Bracket	<a href="#">Buy now</a>
24	<a href="#">970950601600</a> Bolt, hexagon deep recess	<a href="#">Buy now</a>
25	<a href="#">9046407M0500</a> Clamp (6g5)	<a href="#">Buy now</a>
26	<a href="#">970130601200</a> Bolt(gh1)	<a href="#">Buy now</a>
27	<a href="#">6H4427250000</a> Grommet 2	<a href="#">Buy now</a>
28	<a href="#">676427260000</a> Grommet 3	<a href="#">Buy now</a>
29	<a href="#">6H4427242000</a> Grommet	<a href="#">Buy now</a>
30	<a href="#">6H4825540000</a> Stay, Neutral Switch	<a href="#">Buy now</a>

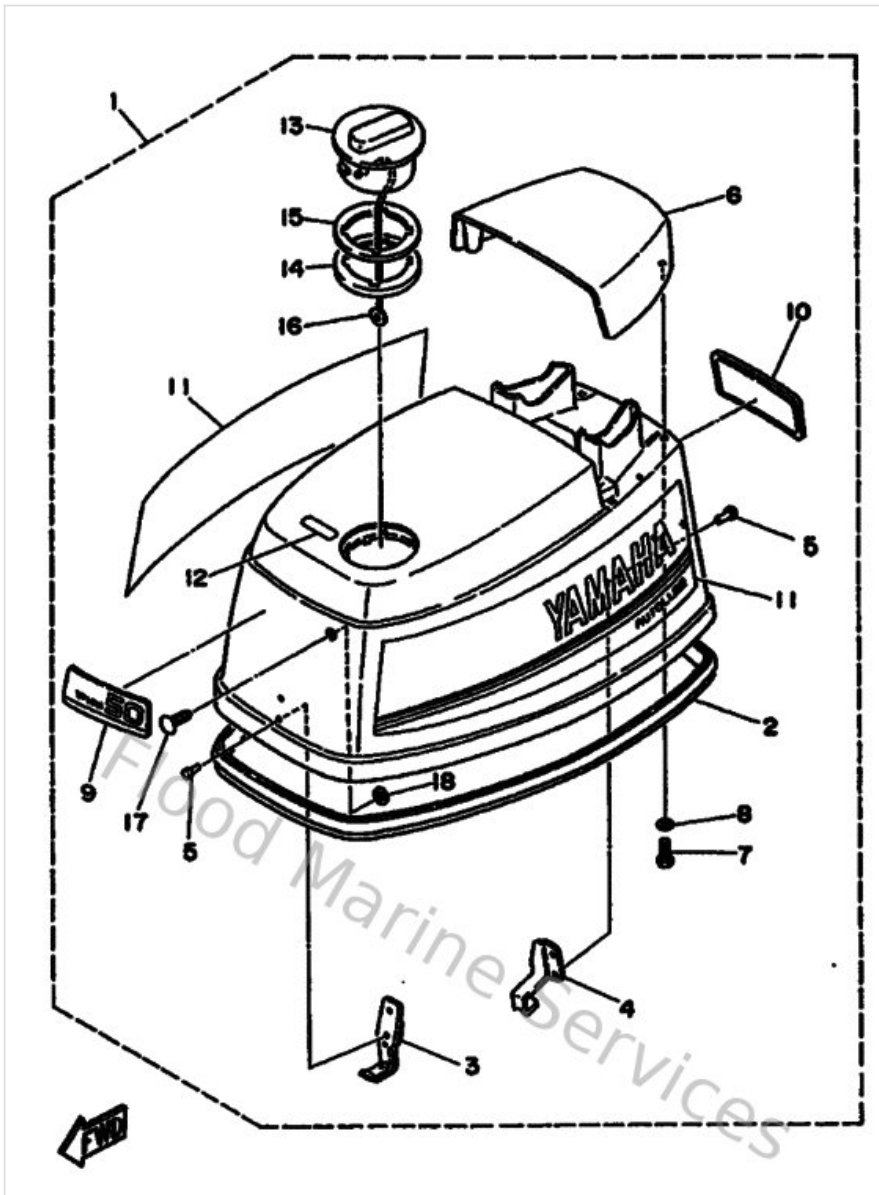


## Alternate 10



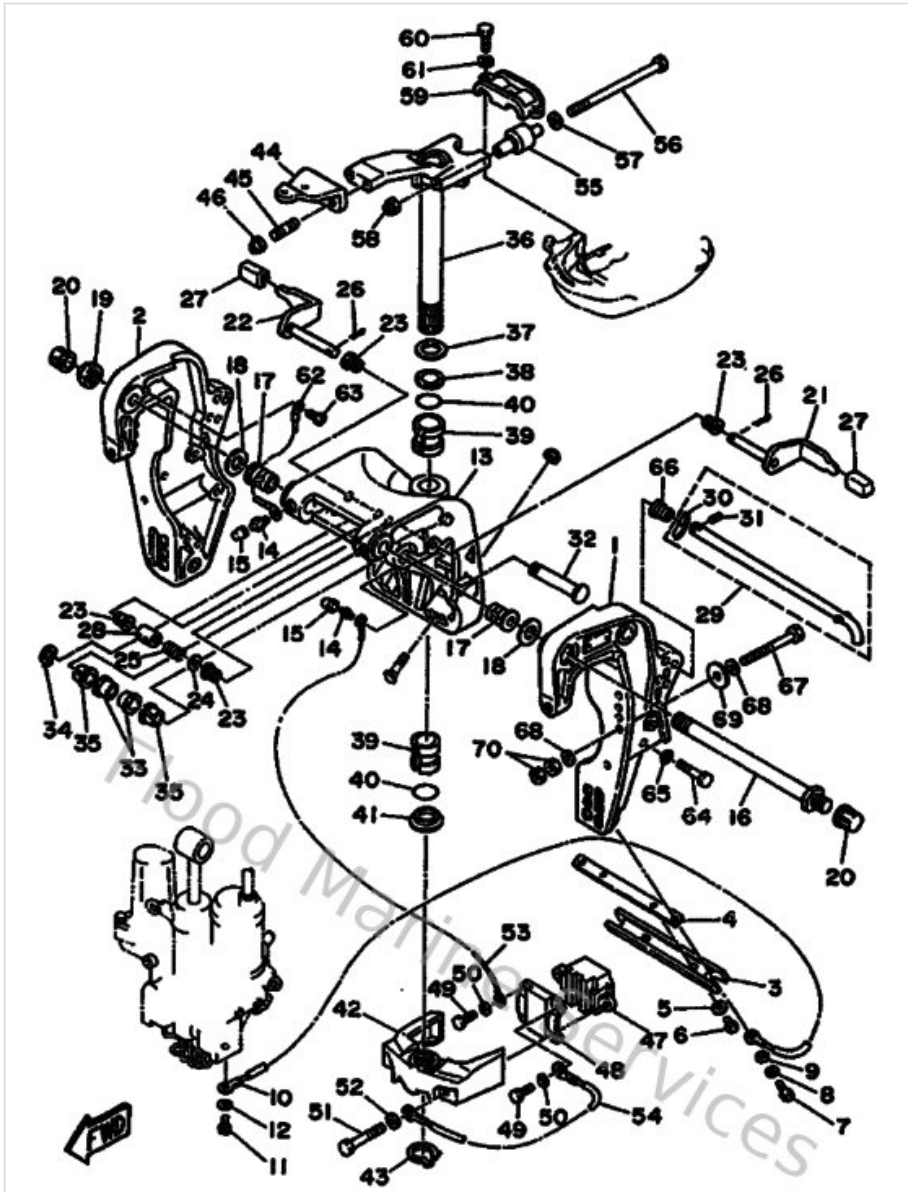
Ref	Part	
31	<a href="#">6H4441730100</a> Lever Shift Control	<a href="#">Buy now</a>
32	<a href="#">916903002000</a> Pin, spring (6h4)	<a href="#">Buy now</a>
33	<a href="#">9046415M2700</a> Clamp(6h4)	<a href="#">Buy now</a>

## Alternate 2



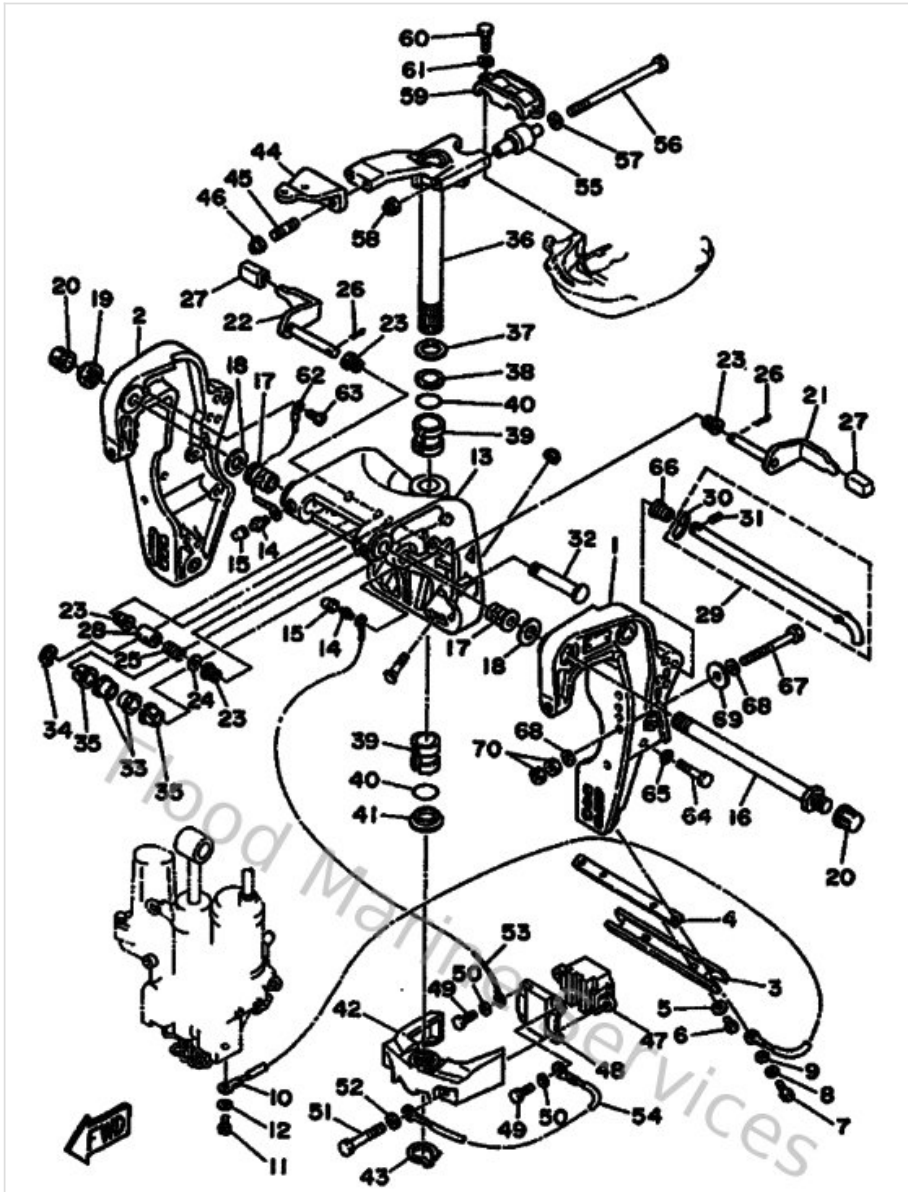
Ref	Part	
2	<a href="#">6H4426150000</a> Seal	<a href="#">Buy now</a>
3	<a href="#">6H4426510000</a> Hook 1	<a href="#">Buy now</a>
4	<a href="#">6H4426520000</a> Hook 2	<a href="#">Buy now</a>
5	<a href="#">9026604M0100</a> Rivet (689)	<a href="#">Buy now</a>
7	<a href="#">973950601600</a> Bolt, hexagon deep recess	<a href="#">Buy now</a>
8	<a href="#">929900660000</a> Washer, plain (646)	<a href="#">Buy now</a>
14	<a href="#">6H3217320000</a> Seal 1	<a href="#">Buy now</a>
15	<a href="#">6H3217350000</a> Seal 2	<a href="#">Buy now</a>
16	<a href="#">6H1426940000</a> Band	<a href="#">Buy now</a>
17	<a href="#">9033805M1200</a> Plug(6h4)	<a href="#">Buy now</a>
18	<a href="#">9018305M0600</a> Nut, spring(6h4)	<a href="#">Buy now</a>

## Alternate 3



Ref	Part	
3	<a href="#">6H1452510200</a> Anode	<a href="#">Buy now</a>
4	<a href="#">6H1445260000</a> Plate 2	<a href="#">Buy now</a>
5	<a href="#">9020106M3100</a> Washer (6a0)	<a href="#">Buy now</a>
6	<a href="#">970800601200</a> Bolt(gh1)	<a href="#">Buy now</a>
7	<a href="#">973950601600</a> Bolt, hexagon deep recess	<a href="#">Buy now</a>
8	<a href="#">929900610000</a> Washer(6a1)	<a href="#">Buy now</a>
9	<a href="#">929900660000</a> Washer, plain (646)	<a href="#">Buy now</a>
10	<a href="#">6H1821480000</a> Wire, lead	<a href="#">Buy now</a>
11	<a href="#">973950601000</a> Bolt	<a href="#">Buy now</a>
13	<a href="#">6974331103EJ</a> Bracket, Swivel	<a href="#">Buy now</a>
14	<a href="#">937000600400</a> Nipple, grease(6a1)	<a href="#">Buy now</a>
15	<a href="#">663451190000</a> Cap, grease nipple	<a href="#">Buy now</a>
16	<a href="#">688431310300</a> Bolt, clamp bracket	<a href="#">Buy now</a>
17	<a href="#">9038622M1500</a> Bushing (688)	<a href="#">Buy now</a>
18	<a href="#">9020122M6700</a> Washer, plate (688)	<a href="#">Buy now</a>

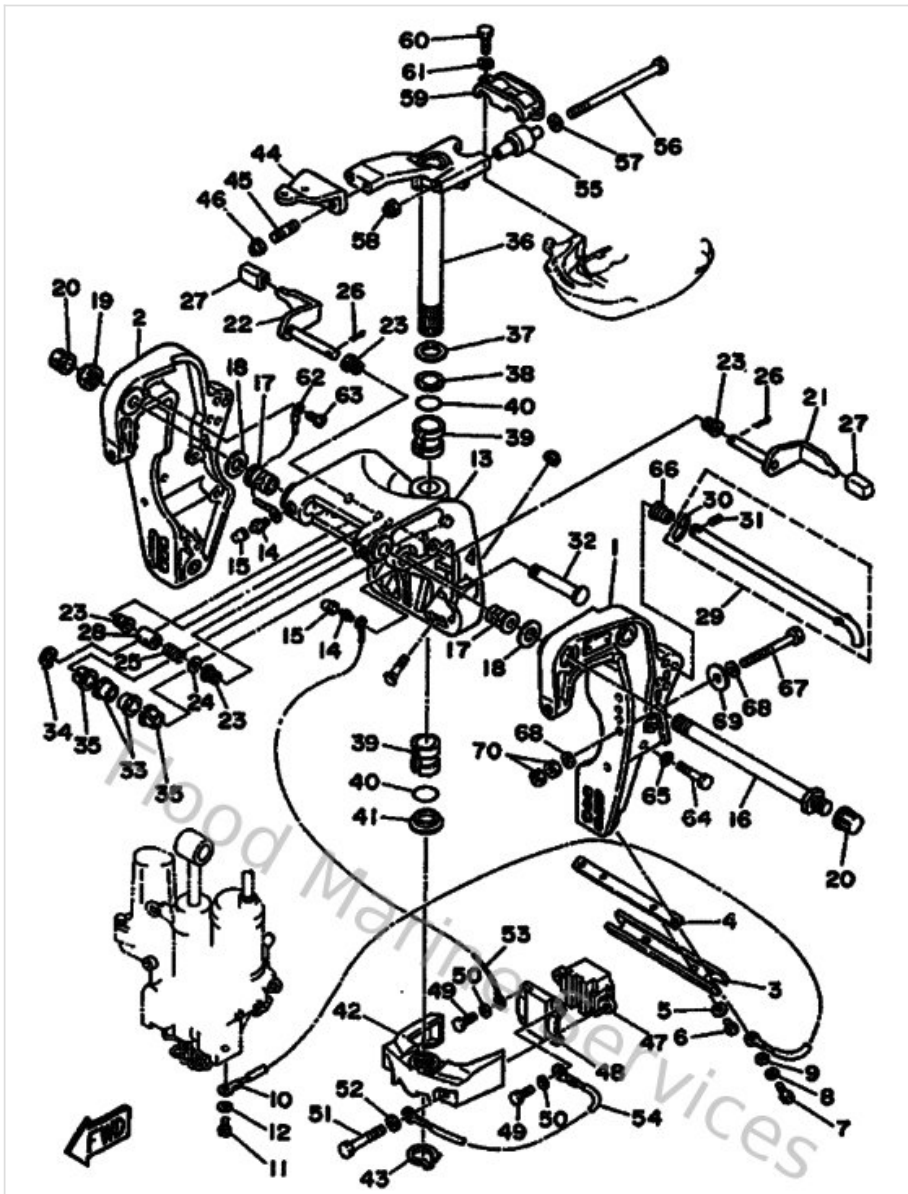
## Alternate 3



Ref	Part	
19	<a href="#">901852204300</a> Nut, self-locking	<a href="#">Buy now</a>
20	<a href="#">6G5431450000</a> Cap, clamp bracket	<a href="#">Buy now</a>
21	<a href="#">688431810400</a> Lever, tilt stop 1	<a href="#">Buy now</a>
22	<a href="#">688431850400</a> Lever, tilt stop 2	<a href="#">Buy now</a>
23	<a href="#">9038610M1600</a> Bushing (688)	<a href="#">Buy now</a>
24	<a href="#">929901060000</a> Washer, plate	<a href="#">Buy now</a>
25	<a href="#">9050110M2100</a> Spring (688)	<a href="#">Buy now</a>
26	<a href="#">914903003000</a> Pin, cotter	<a href="#">Buy now</a>
27	<a href="#">663433180000</a> Cover	<a href="#">Buy now</a>
28	<a href="#">9038710M3800</a> Coller (6e5)	<a href="#">Buy now</a>
29	<a href="#">697431600000</a> Tilt lock ass'y	<a href="#">Buy now</a>
30	<a href="#">688431650000</a> Stopper, tilt rod	<a href="#">Buy now</a>
31	<a href="#">916903001200</a> Pin, spring	<a href="#">Buy now</a>
32	<a href="#">6E5431260100</a> Pin, upper shock mount	<a href="#">Buy now</a>
33	<a href="#">9038618M6300</a> Bush(6e5)	<a href="#">Buy now</a>



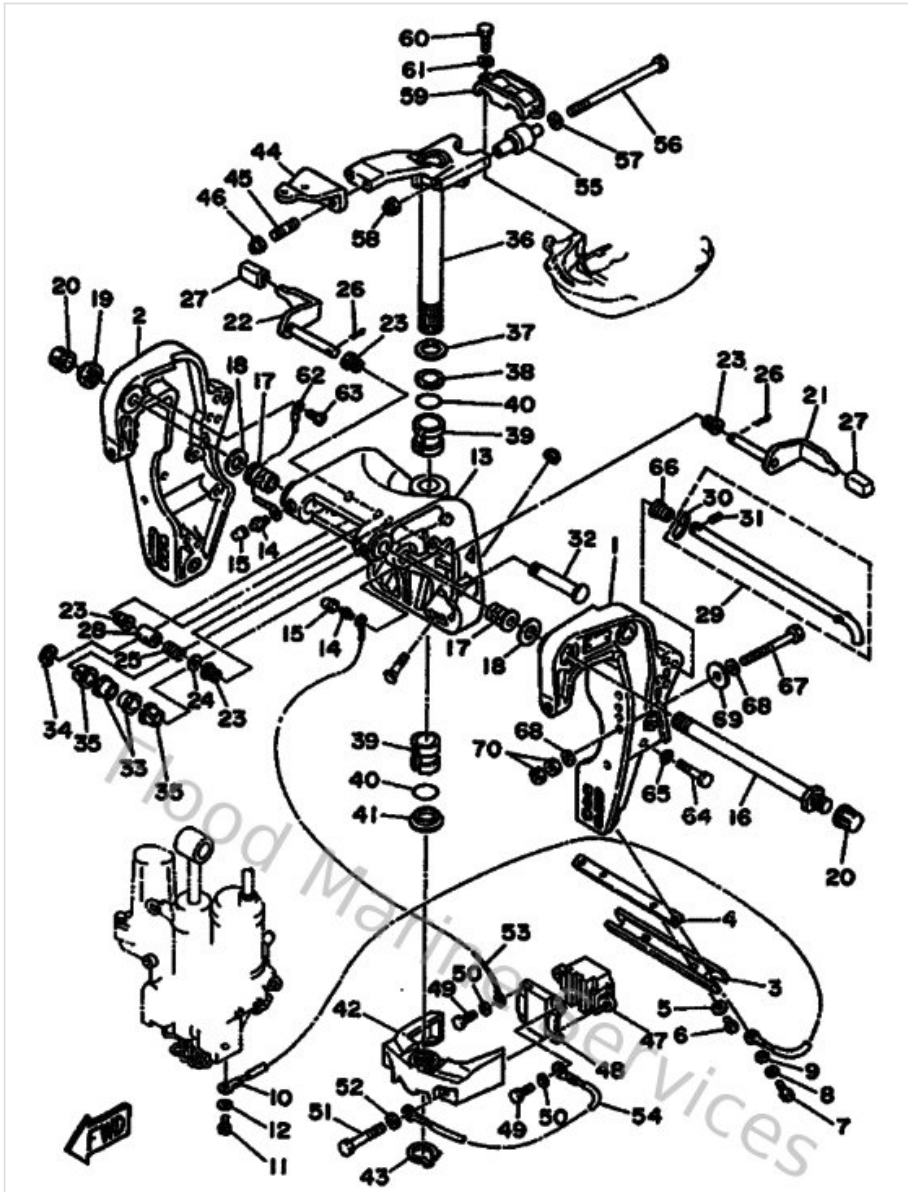
## Alternate 3



Ref	Part	
34	<a href="#">9341018M0200</a> Circlip (6f2)	<a href="#">Buy now</a>
35	<a href="#">9038618M3500</a> Bush (688)	<a href="#">Buy now</a>
36	<a href="#">6H44251009EJ</a> Steering Bracket assembly	<a href="#">Buy now</a>
37	<a href="#">9020130M0000</a> Washer, plate(6h1)	<a href="#">Buy now</a>
38	<a href="#">9038630M7800</a> Bush(6h0)	<a href="#">Buy now</a>
39	<a href="#">9038630M7700</a> Bush(6h0)	<a href="#">Buy now</a>
40	<a href="#">9321029M9400</a> O-ring(6h1)	<a href="#">Buy now</a>
41	<a href="#">9038630M6000</a> Bush(6j8)	<a href="#">Buy now</a>
43	<a href="#">9341028M0600</a> Circlip (688)	<a href="#">Buy now</a>
45	<a href="#">901161006300</a> Bolt, stud	<a href="#">Buy now</a>
46	<a href="#">901851005100</a> Nut, self-locking	<a href="#">Buy now</a>
47	<a href="#">6H4445571000</a> Mount, lower front	<a href="#">Buy now</a>
48	<a href="#">6H4445530100</a> Cover, lower mount	<a href="#">Buy now</a>
49	<a href="#">973950802500</a> Bolt (62g)	<a href="#">Buy now</a>
50	<a href="#">929900860000</a> Washer, plain (663)	<a href="#">Buy now</a>

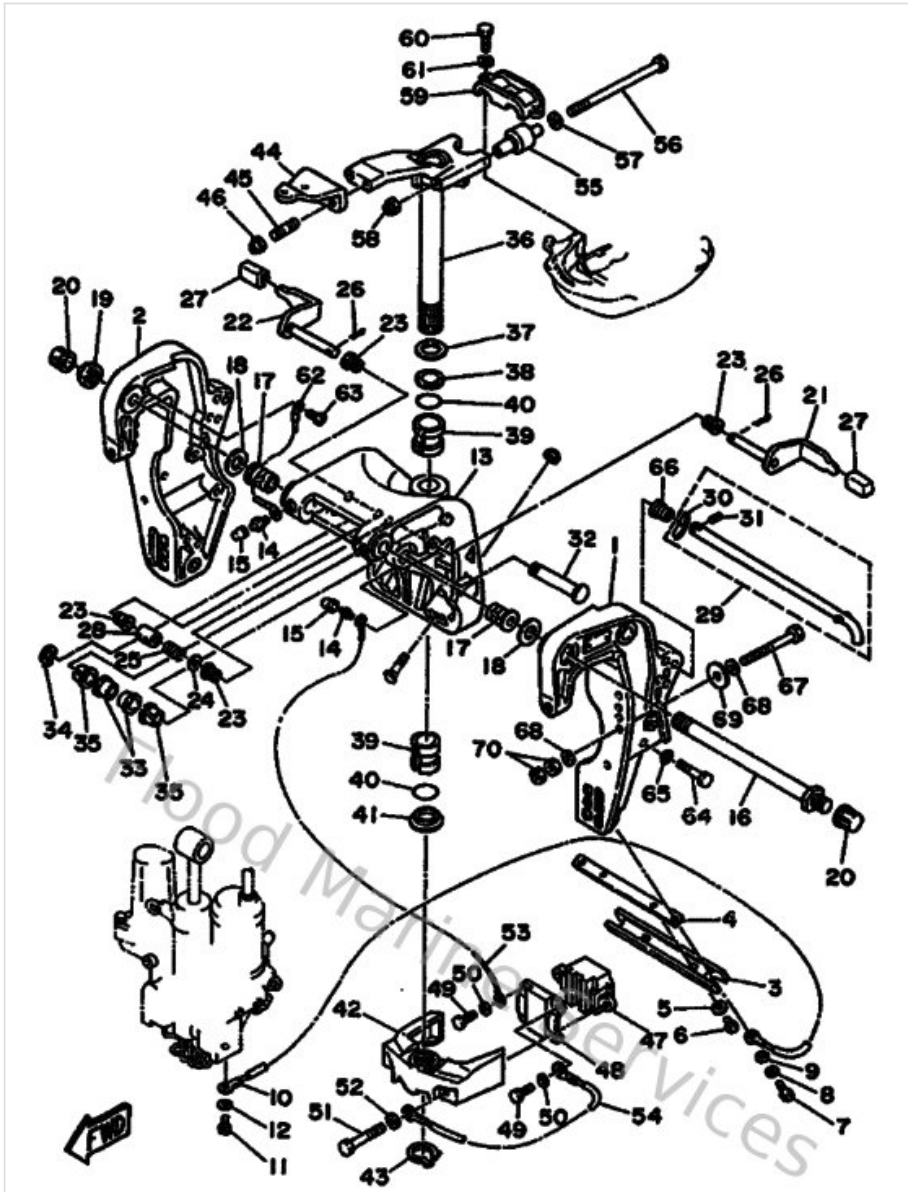


## Alternate 3



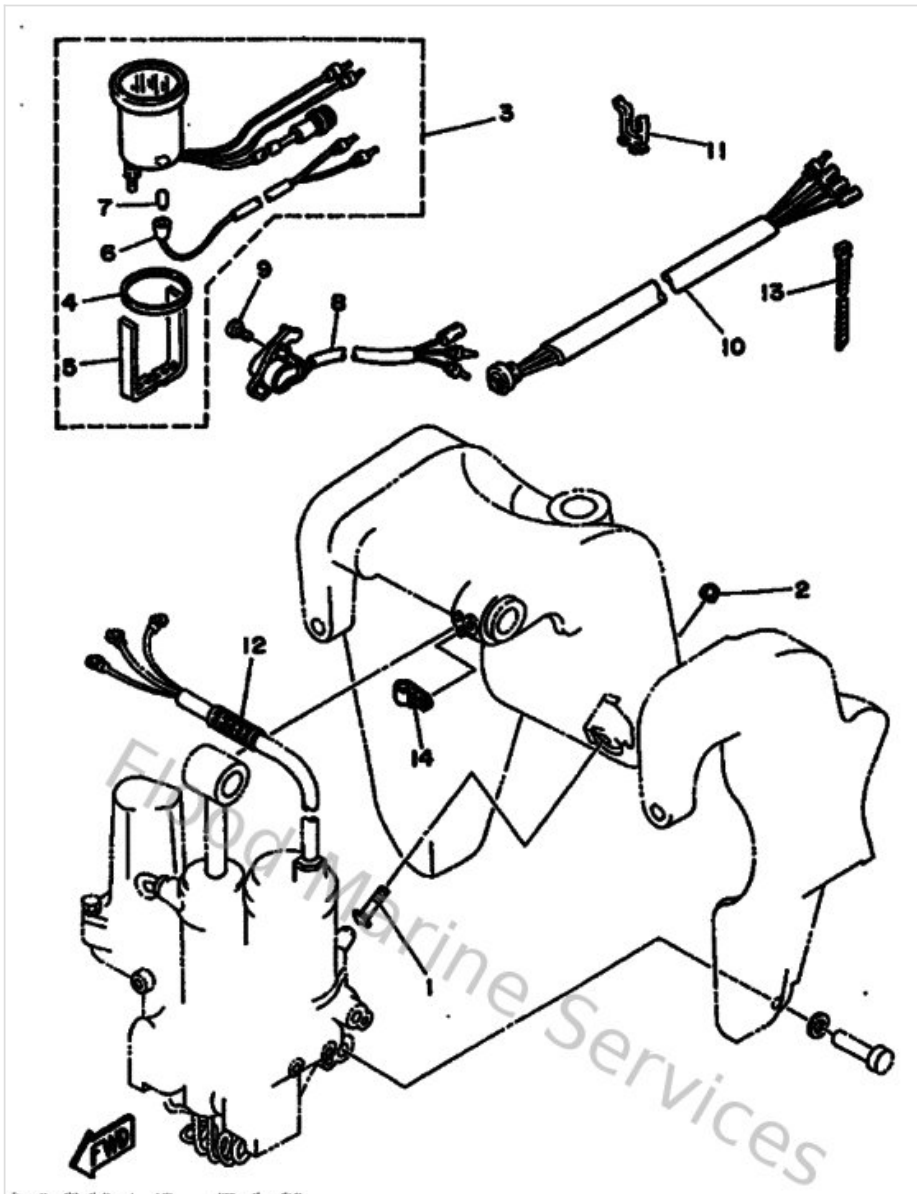
Ref	Part	
51	<a href="#">970951006000</a> Bolt, hexagon	<a href="#">Buy now</a>
53	<a href="#">6H5821170000</a> Wire, Lead	<a href="#">Buy now</a>
54	<a href="#">6H5821490000</a> Wire, Lead 3	<a href="#">Buy now</a>
55	<a href="#">6H4445140000</a> Mount, upper side	<a href="#">Buy now</a>
56	<a href="#">9010108M8600</a> Bolt (6h4)	<a href="#">Buy now</a>
57	<a href="#">902010942500</a> Washer, plate (663)	<a href="#">Buy now</a>
58	<a href="#">901850804500</a> Nut, self-locking	<a href="#">Buy now</a>
59	<a href="#">6H4445110094</a> Cover, Upper Mount	<a href="#">Buy now</a>
60	<a href="#">970950803500</a> Bolt(70w)	<a href="#">Buy now</a>
61	<a href="#">929900810000</a> Ybs67-8 washer, spring	<a href="#">Buy now</a>
62	<a href="#">6E5821480000</a> Wire, lead 5	<a href="#">Buy now</a>
63	<a href="#">978850601200</a> Screw, pan head(62j)	<a href="#">Buy now</a>
64	<a href="#">973951004500</a> Bolt(64d)	<a href="#">Buy now</a>
65	<a href="#">929901010000</a> Ybs67-10 washer, spring	<a href="#">Buy now</a>
66	<a href="#">9050220M0300</a> Spring (6e5)	<a href="#">Buy now</a>

## Alternate 3



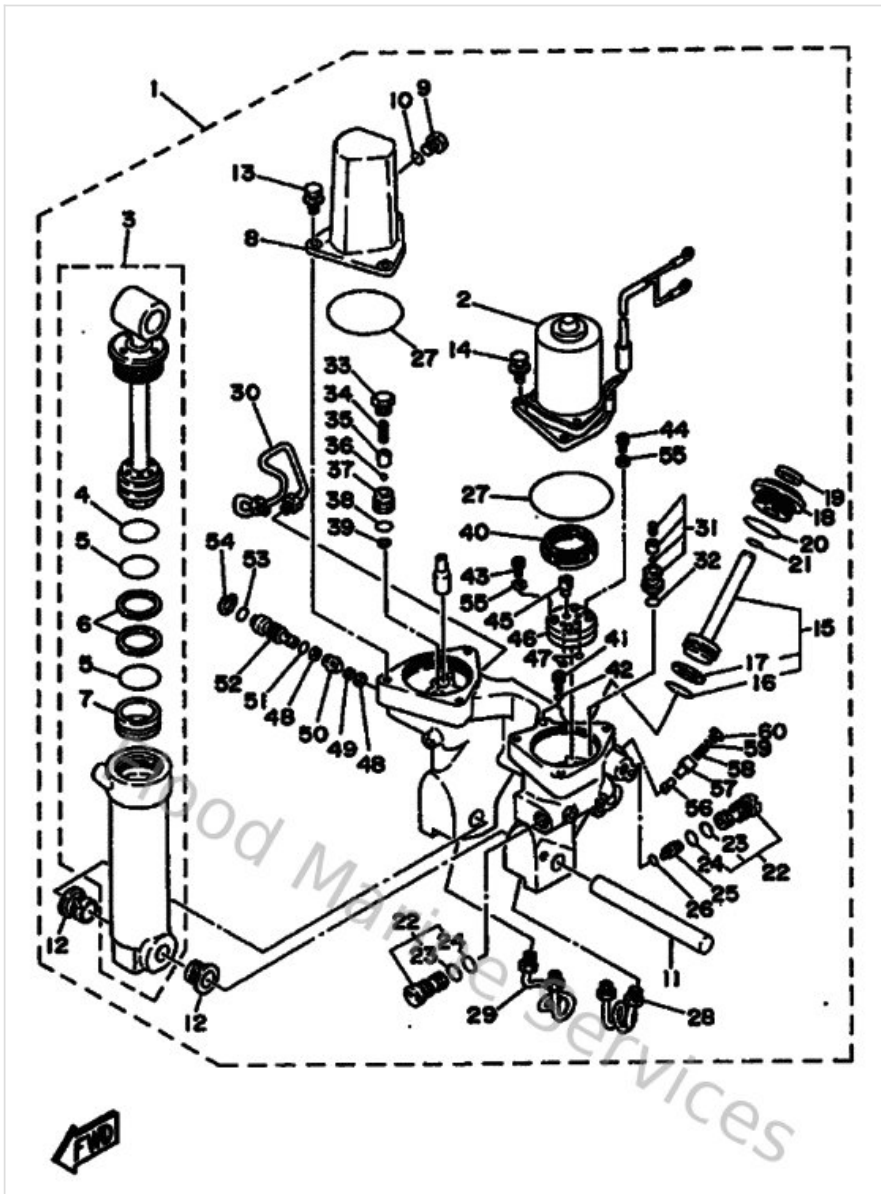
Ref	Part	
67	<a href="#">9010112M6500</a> Bolt	<a href="#">Buy now</a>
68	<a href="#">929951220000</a> Ybs66-12 washer,plain	<a href="#">Buy now</a>
69	<a href="#">902011242600</a> Washe, plate(663)	<a href="#">Buy now</a>
70	<a href="#">953801260000</a> Nut (707)	<a href="#">Buy now</a>

## Alternate 4



Ref	Part	
1	<a href="#">688433760100</a> Bolt, thrust receiver	<a href="#">Buy now</a>
2	<a href="#">957800830000</a> Nut, nylon (6j8)	<a href="#">Buy now</a>
3	<a href="#">6Y5836701000</a> Pro Series 11 Trim Meter (Black)	<a href="#">Buy now</a>
4	<a href="#">688836640000</a> Damper	<a href="#">Buy now</a>
5	<a href="#">6Y5835770000</a> Plate, fitting	<a href="#">Buy now</a>
6	<a href="#">6Y5835362000</a> Socket, Meter	<a href="#">Buy now</a>
7	<a href="#">6Y5835180000</a> Bulb (12v-1.7w) t6.5	<a href="#">Buy now</a>
8	<a href="#">6H5836720000</a> Trim Sender	<a href="#">Buy now</a>
9	<a href="#">985800601600</a> Screw pan head	<a href="#">Buy now</a>
10	<a href="#">6E5825531000</a> Extension, Wire Harness	<a href="#">Buy now</a>
11	<a href="#">9046409M1300</a> Clamp (6h1)	<a href="#">Buy now</a>
12	<a href="#">9044014M0000</a> Pipe(6h4)	<a href="#">Buy now</a>
13	<a href="#">9046511M1000</a> Clamp	<a href="#">Buy now</a>
14	<a href="#">904650802800</a> Clamp (1e6)	<a href="#">Buy now</a>

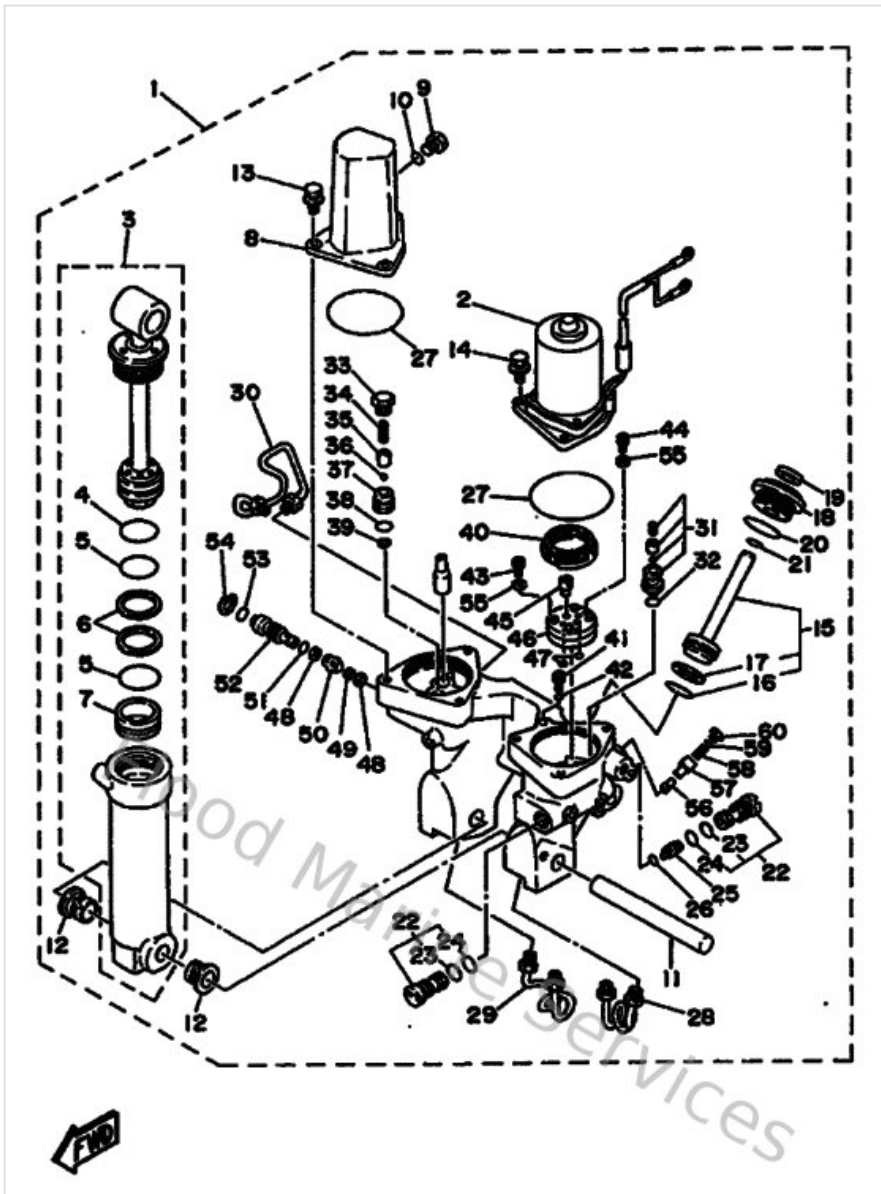
# Alternate 5



Ref	Part	
2	<a href="#">6H1438800200</a> Motor assembly	<a href="#">Buy now</a>
3	<a href="#">6974380E0100</a> Cylinder tilt assembly	<a href="#">Buy now</a>
4	<a href="#">6E5438610000</a> O-ring 1	<a href="#">Buy now</a>
5	<a href="#">6E5438620000</a> O-ring 2	<a href="#">Buy now</a>
6	<a href="#">6E5438720000</a> Ring, back-up 2	<a href="#">Buy now</a>
7	<a href="#">6E5438140100</a> Piston, free	<a href="#">Buy now</a>
8	<a href="#">6E5438280000</a> Body, reservoir	<a href="#">Buy now</a>
9	<a href="#">6E5438290000</a> Plug, reservoir	<a href="#">Buy now</a>
10	<a href="#">6E5438630000</a> O-ring	<a href="#">Buy now</a>
11	<a href="#">6E5438180000</a> Pin, lower shock mount	<a href="#">Buy now</a>
12	<a href="#">9038618M1400</a> Bushing (6e5)	<a href="#">Buy now</a>
13	<a href="#">9011906M4200</a> Bolt, with washer(6e5)	<a href="#">Buy now</a>
14	<a href="#">9011906M7100</a> Bolt, with washer(6h4)	<a href="#">Buy now</a>
15	<a href="#">6E5438200300</a> Piston sub assembly	<a href="#">Buy now</a>
16	<a href="#">6E5438640000</a> O-ring 4	<a href="#">Buy now</a>



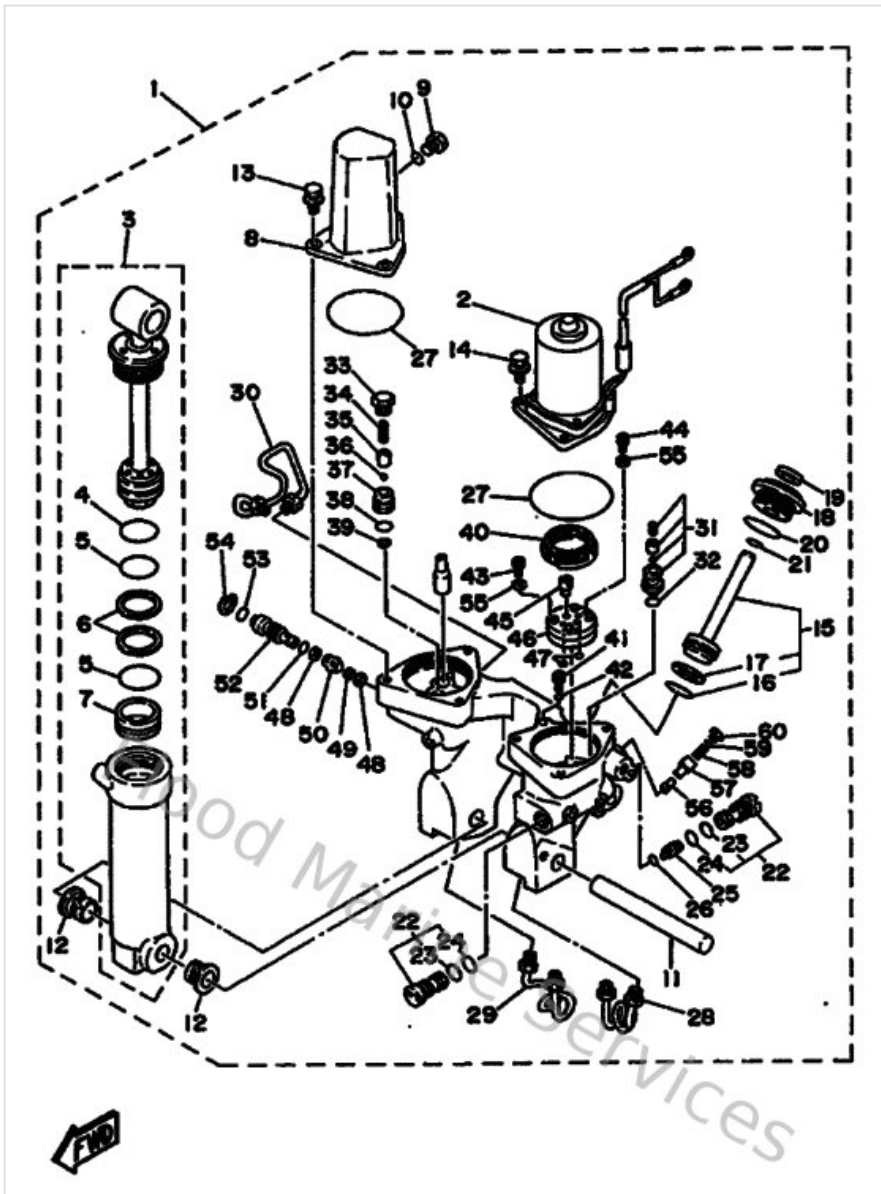
# Alternate 5



Ref	Part	
17	<a href="#">6E5438740100</a> Ring, back-up 4	<a href="#">Buy now</a>
18	<a href="#">6E5438210100</a> Screw, trim cylinder end	<a href="#">Buy now</a>
19	<a href="#">6E5438220100</a> Seal, trim dust	<a href="#">Buy now</a>
21	<a href="#">6E5438650000</a> O-ring 5	<a href="#">Buy now</a>
22	<a href="#">6E5438020000</a> Valve Sub Assembly	<a href="#">Buy now</a>
23	<a href="#">6E5438660000</a> O-ring	<a href="#">Buy now</a>
24	<a href="#">6E5438670000</a> O-ring	<a href="#">Buy now</a>
25	<a href="#">6E5438410100</a> Piston, Shuttle	<a href="#">Buy now</a>
26	<a href="#">6E5438680000</a> O-Ring	<a href="#">Buy now</a>
27	<a href="#">6E5438690000</a> O-ring 9	<a href="#">Buy now</a>
28	<a href="#">6E5438330100</a> Pipe 1	<a href="#">Buy now</a>
29	<a href="#">6E5438340100</a> Pipe 2	<a href="#">Buy now</a>
30	<a href="#">6E5438350100</a> Pipe	<a href="#">Buy now</a>
31	<a href="#">6G5438080200</a> Seat Valve Comp 1	<a href="#">Buy now</a>
32	<a href="#">6E5438830000</a> O-ring 10	<a href="#">Buy now</a>

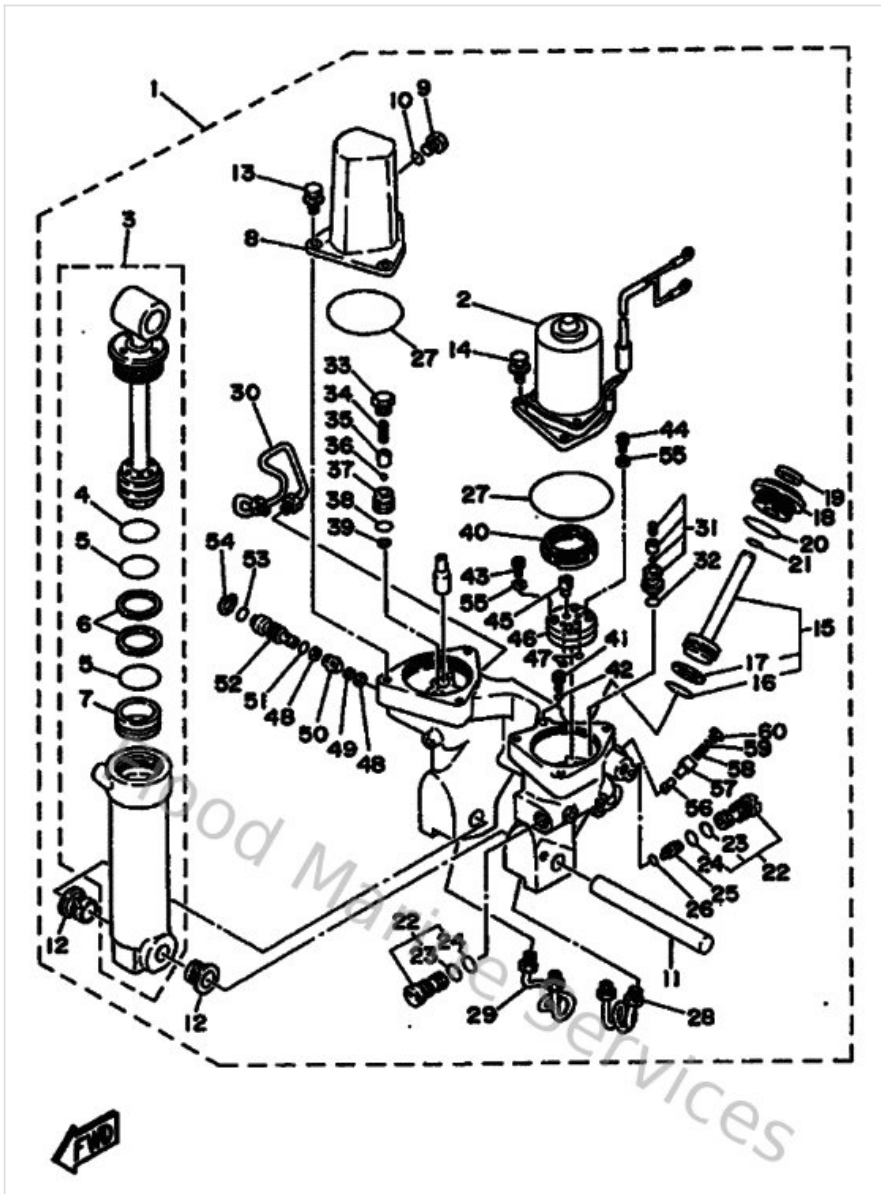


# Alternate 5



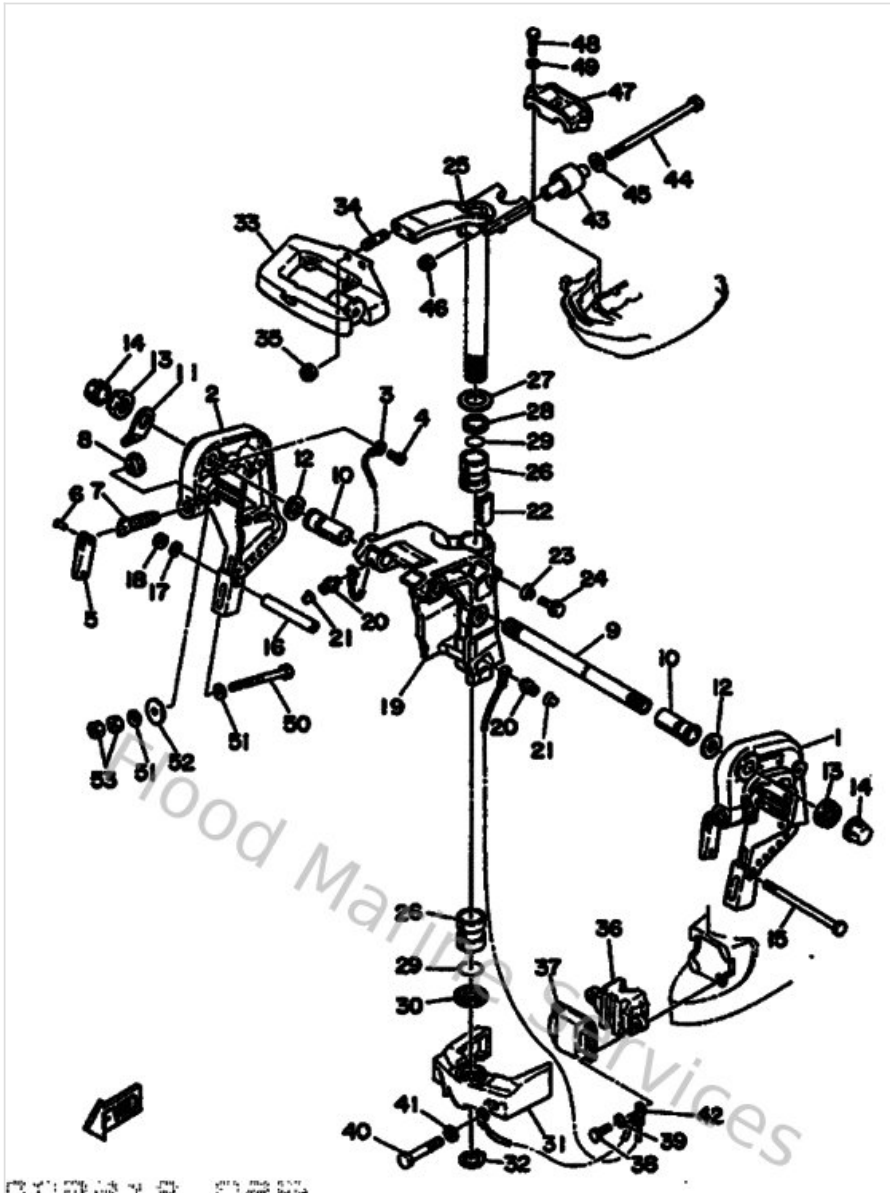
Ref	Part	
33	<a href="#">6E5438430000</a> Screw, Valve Lock	<a href="#">Buy now</a>
34	<a href="#">6H3438550000</a> Spring, Up Relief	<a href="#">Buy now</a>
35	<a href="#">6E5438590000</a> Pin, valve support	<a href="#">Buy now</a>
36	<a href="#">6E5438770100</a> Ball 2	<a href="#">Buy now</a>
37	<a href="#">6E5438950000</a> Seat, relief valve 2	<a href="#">Buy now</a>
38	<a href="#">6E5438960000</a> O-ring	<a href="#">Buy now</a>
39	<a href="#">6E5438161000</a> Filter 1	<a href="#">Buy now</a>
40	<a href="#">6E5438171000</a> Filter 2	<a href="#">Buy now</a>
41	<a href="#">9010906M2100</a> Bolt (6e5)	<a href="#">Buy now</a>
42	<a href="#">6E5438970000</a> O-Ring	<a href="#">Buy now</a>
43	<a href="#">6E5438780100</a> Bolt, Socket	<a href="#">Buy now</a>
44	<a href="#">6E5438880100</a> Bolt, socket	<a href="#">Buy now</a>
46	<a href="#">6E5438300000</a> Gear Pump assembly	<a href="#">Buy now</a>
47	<a href="#">9321007M7800</a> O-ring (6e5)	<a href="#">Buy now</a>
48	<a href="#">6E5438470000</a> Seat, manual valve	<a href="#">Buy now</a>

# Alternate 5



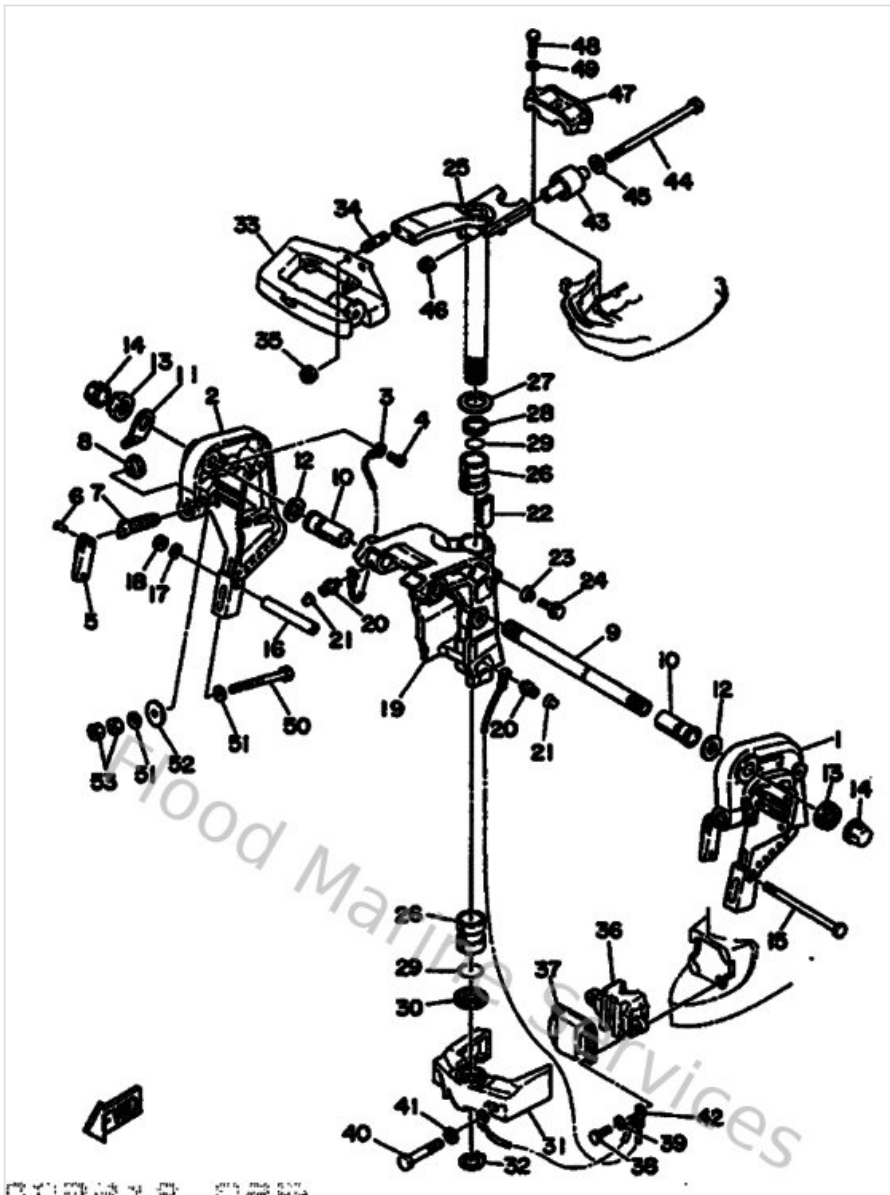
Ref	Part	
49	<a href="#">6E5438540100</a> Spring, manual release	<a href="#">Buy now</a>
50	<a href="#">6E54382A0000</a> Adaptor 1	<a href="#">Buy now</a>
51	<a href="#">9321010M7400</a> O-ring	<a href="#">Buy now</a>
52	<a href="#">6E5438450100</a> Screw, manual release	<a href="#">Buy now</a>
53	<a href="#">9321018M7500</a> O-ring (6e5)	<a href="#">Buy now</a>
55	<a href="#">9020105M0000</a> Washer (6E5)	<a href="#">Buy now</a>
56	<a href="#">6E54381A0000</a> Shaft	<a href="#">Buy now</a>
57	<a href="#">6E5438490100</a> Pin, valve support	<a href="#">Buy now</a>
58	<a href="#">6E5438240100</a> Spring Down Relief 2	<a href="#">Buy now</a>
59	<a href="#">9321006M7700</a> O-Ring	<a href="#">Buy now</a>
60	<a href="#">6E5438420000</a> Screw, valve seat	<a href="#">Buy now</a>

## Alternate 6



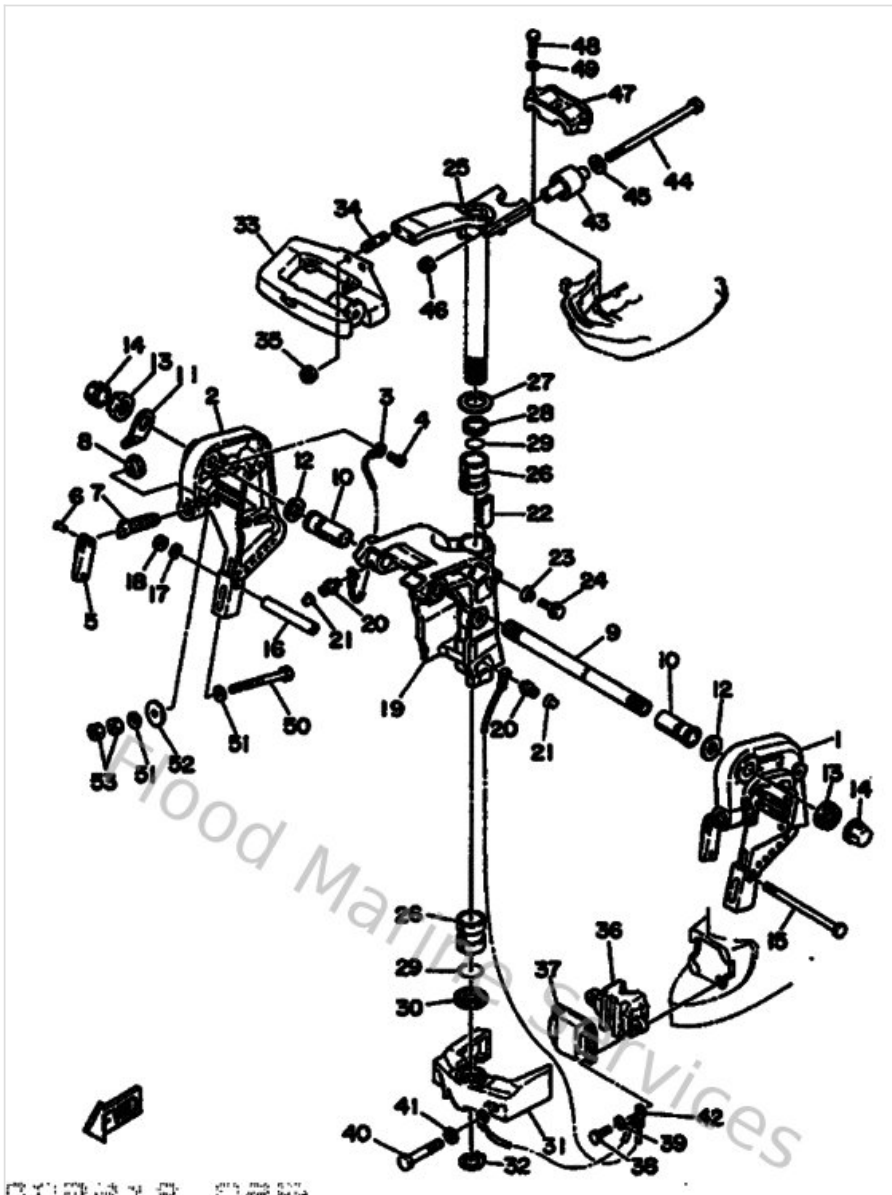
Ref	Part	
3	<a href="#">6E5821480000</a> Wire, lead 5	<a href="#">Buy now</a>
5	<a href="#">6164311800EJ</a> Handle, transom clamp	<a href="#">Buy now</a>
6	<a href="#">9024304M0000</a> Pin(6a9)	<a href="#">Buy now</a>
7	<a href="#">9014914M1200</a> Screw(6h4)	<a href="#">Buy now</a>
8	<a href="#">648431140100</a> Pad, transom clamp	<a href="#">Buy now</a>
9	<a href="#">6J8431310100</a> Bolt, clamp bracket	<a href="#">Buy now</a>
10	<a href="#">9038622M6900</a> Bush(6k9)	<a href="#">Buy now</a>
11	<a href="#">6J8431130100</a> Plate, clamp bracket	<a href="#">Buy now</a>
12	<a href="#">902012242800</a> Washer, plate(64j)	<a href="#">Buy now</a>
13	<a href="#">901852204300</a> Nut, self-locking	<a href="#">Buy now</a>
14	<a href="#">6G5431450000</a> Cap, clamp bracket	<a href="#">Buy now</a>
15	<a href="#">901010833900</a> Bolt, hexagon (656)	<a href="#">Buy now</a>
16	<a href="#">903870901900</a> Collar	<a href="#">Buy now</a>
17	<a href="#">929900860000</a> Washer, plain (663)	<a href="#">Buy now</a>
18	<a href="#">953800860000</a> Nut (661)	<a href="#">Buy now</a>

## Alternate 6



Ref	Part	
20	<a href="#">937000600400</a> Nipple, grease(6a1)	<a href="#">Buy now</a>
22	<a href="#">6J8425280000</a> Plate, friction	<a href="#">Buy now</a>
23	<a href="#">689433730100</a> Seal, damper	<a href="#">Buy now</a>
24	<a href="#">9010506M1800</a> Bolt (689)	<a href="#">Buy now</a>
26	<a href="#">9038630M7700</a> Bush(6h0)	<a href="#">Buy now</a>
27	<a href="#">9020130M0000</a> Washer, plate(6h1)	<a href="#">Buy now</a>
28	<a href="#">9038630M7800</a> Bush(6h0)	<a href="#">Buy now</a>
29	<a href="#">9321029M9400</a> O-ring(6h1)	<a href="#">Buy now</a>
30	<a href="#">9038630M6000</a> Bush(6j8)	<a href="#">Buy now</a>
32	<a href="#">9341028M0600</a> Circlip (688)	<a href="#">Buy now</a>
33	<a href="#">6H44212102CA</a> Bracket	<a href="#">Buy now</a>
34	<a href="#">901161017500</a> Bolt, stud	<a href="#">Buy now</a>
35	<a href="#">901851005100</a> Nut, self-locking	<a href="#">Buy now</a>
36	<a href="#">6H4445570000</a> Mount, lower front	<a href="#">Buy now</a>
37	<a href="#">6H4445530100</a> Cover, lower mount	<a href="#">Buy now</a>

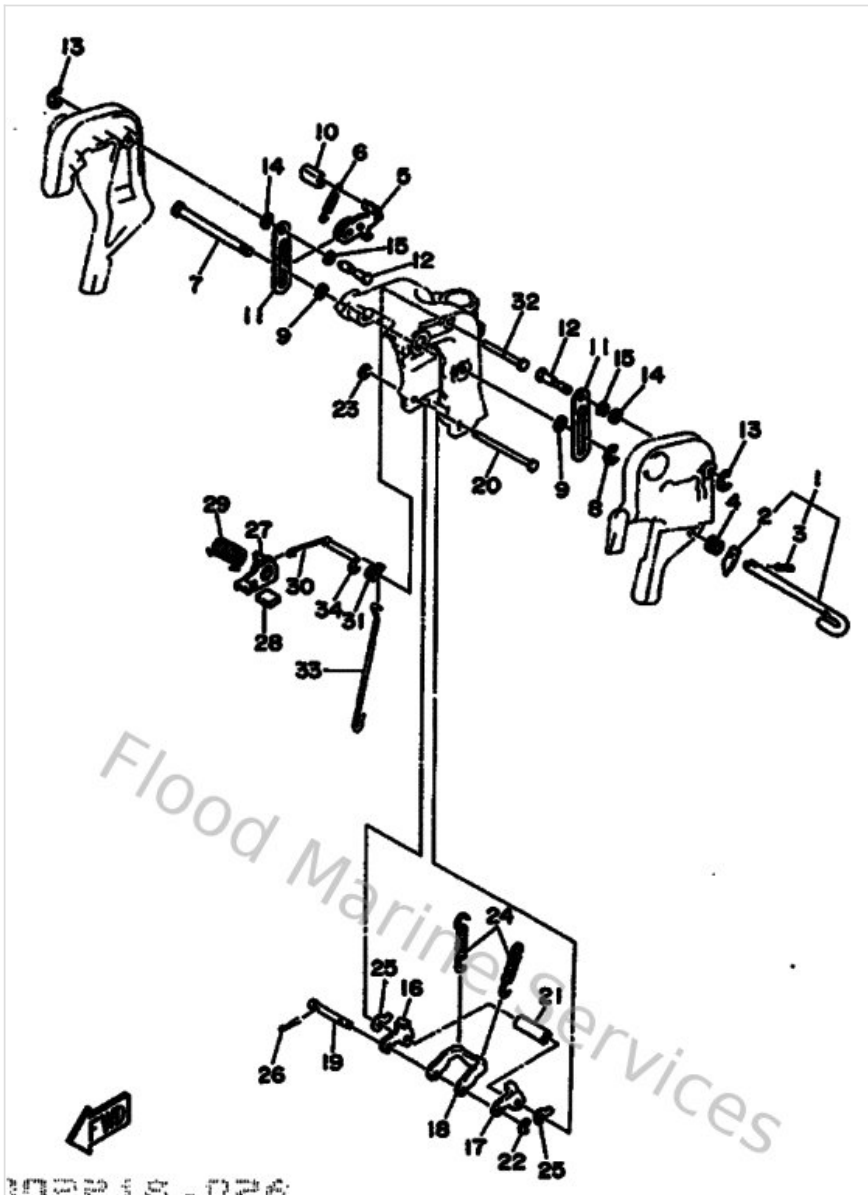
## Alternate 6



Ref	Part	
38	<a href="#">970950802500</a> Bolt (62g)	<a href="#">Buy now</a>
40	<a href="#">973951006000</a> Bolt, hexagon	<a href="#">Buy now</a>
41	<a href="#">929901060000</a> Washer, plate	<a href="#">Buy now</a>
42	<a href="#">6H4821270000</a> Wire, lead 2	<a href="#">Buy now</a>
43	<a href="#">6H4445140000</a> Mount, upper side	<a href="#">Buy now</a>
44	<a href="#">9010108M8600</a> Bolt (6h4)	<a href="#">Buy now</a>
45	<a href="#">902010942500</a> Washer, plate (663)	<a href="#">Buy now</a>
46	<a href="#">901850804500</a> Nut, self-locking	<a href="#">Buy now</a>
47	<a href="#">6H4445110094</a> Cover, Upper Mount	<a href="#">Buy now</a>
48	<a href="#">970950803500</a> Bolt(70w)	<a href="#">Buy now</a>
49	<a href="#">929900810000</a> Ybs67-8 washer, spring	<a href="#">Buy now</a>
50	<a href="#">9010110M5800</a> Bolt	<a href="#">Buy now</a>
51	<a href="#">929951060000</a> Washer, plate	<a href="#">Buy now</a>
52	<a href="#">902011242600</a> Washe, plate(663)	<a href="#">Buy now</a>
53	<a href="#">953801060000</a> Nut(624)	<a href="#">Buy now</a>

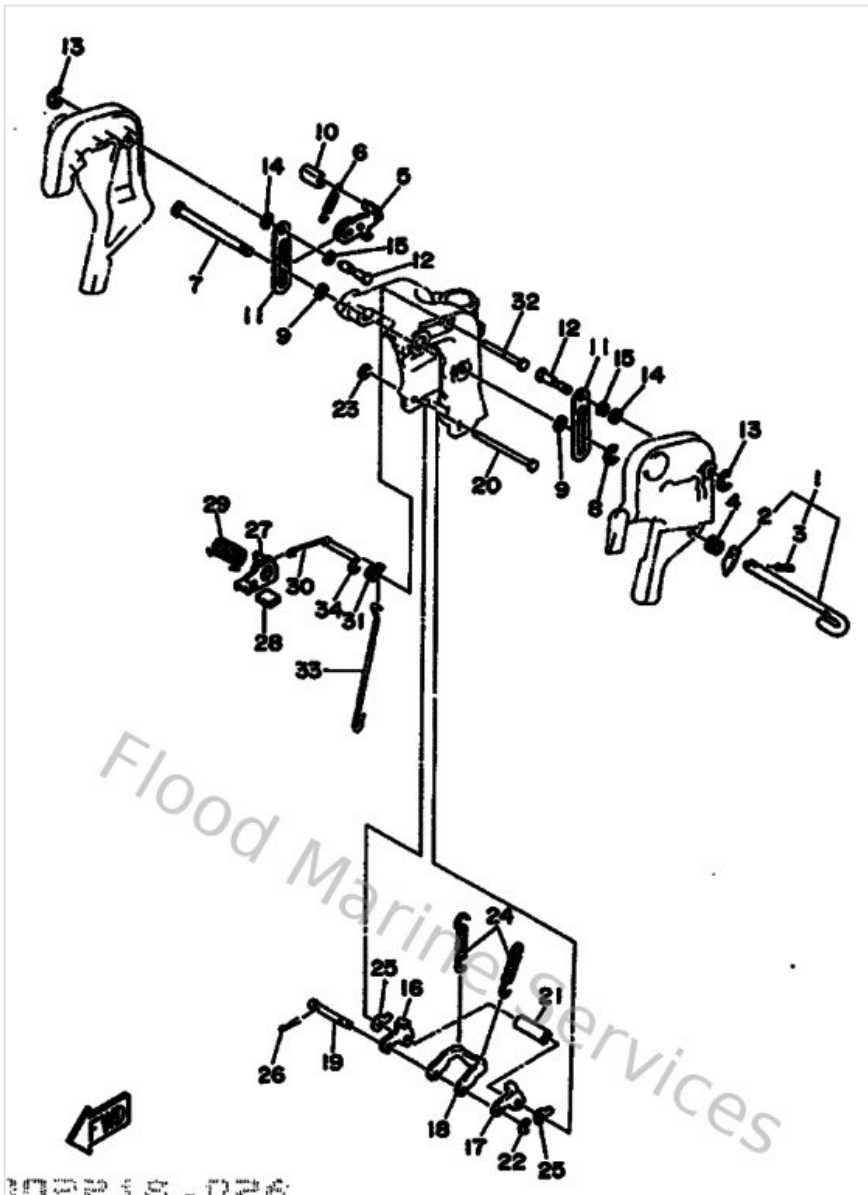


# Alternate 7



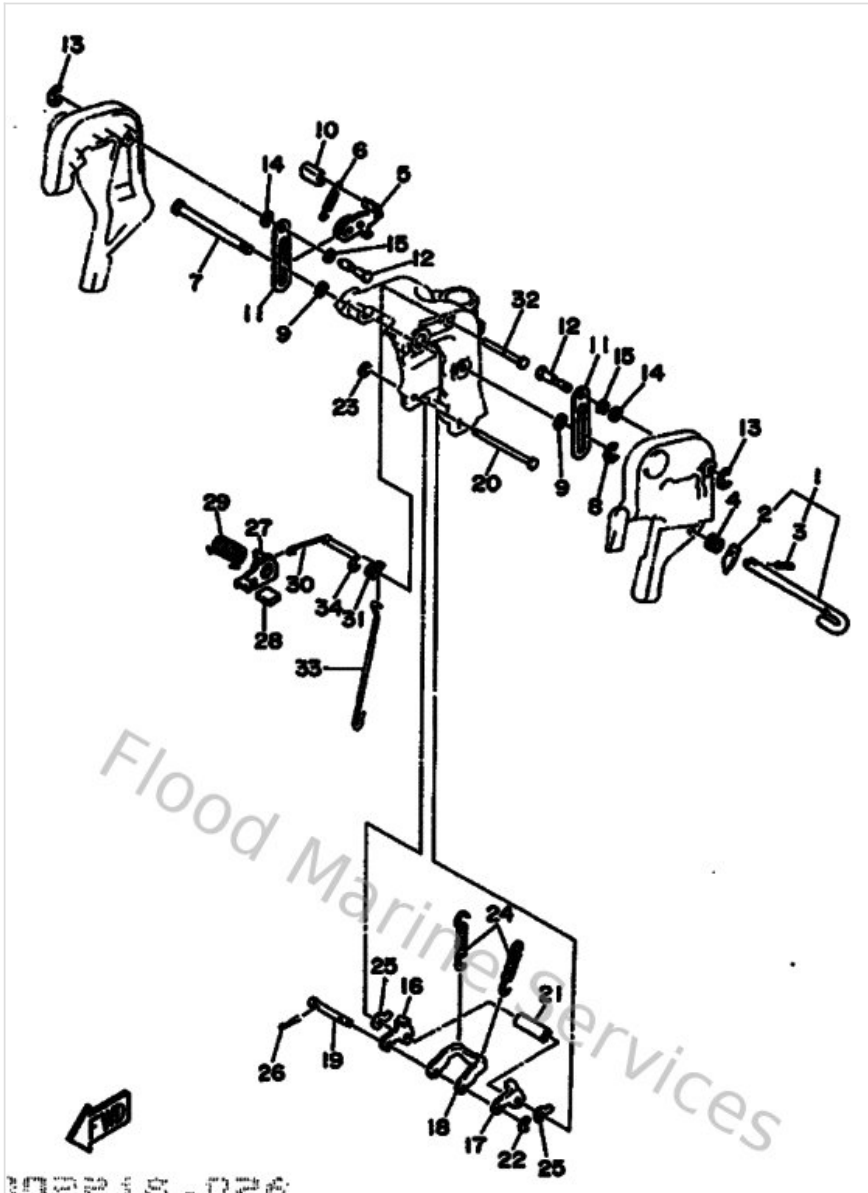
Ref	Part	
1	<a href="#">6H4431600100</a> Tilt rod assembly	<a href="#">Buy now</a>
2	<a href="#">676431650000</a> Stopper plate, titl lock rod	<a href="#">Buy now</a>
3	<a href="#">916903001000</a> Pin, spring (663)	<a href="#">Buy now</a>
4	<a href="#">9050210M0400</a> Spring, conical(6f5)	<a href="#">Buy now</a>
5	<a href="#">6J8431810100</a> Lever, tilt stop 1	<a href="#">Buy now</a>
6	<a href="#">9050612M2500</a> Spring, tension(6h4)	<a href="#">Buy now</a>
7	<a href="#">9024912M2800</a> Pin(6h4)	<a href="#">Buy now</a>
8	<a href="#">990801060000</a> Circlip	<a href="#">Buy now</a>
9	<a href="#">902021203100</a> Washer, plate 6484412600	<a href="#">Buy now</a>
10	<a href="#">682433180100</a> Cover	<a href="#">Buy now</a>
11	<a href="#">6J8436270000</a> Stopper	<a href="#">Buy now</a>
12	<a href="#">9024912M2700</a> Pin(6f6)	<a href="#">Buy now</a>
13	<a href="#">9343010M0000</a> Circlip	<a href="#">Buy now</a>
15	<a href="#">9020612M1600</a> Washer, wave(6j8)	<a href="#">Buy now</a>
16	<a href="#">6J8436140000</a> Plate, tilt lock	<a href="#">Buy now</a>

# Alternate 7



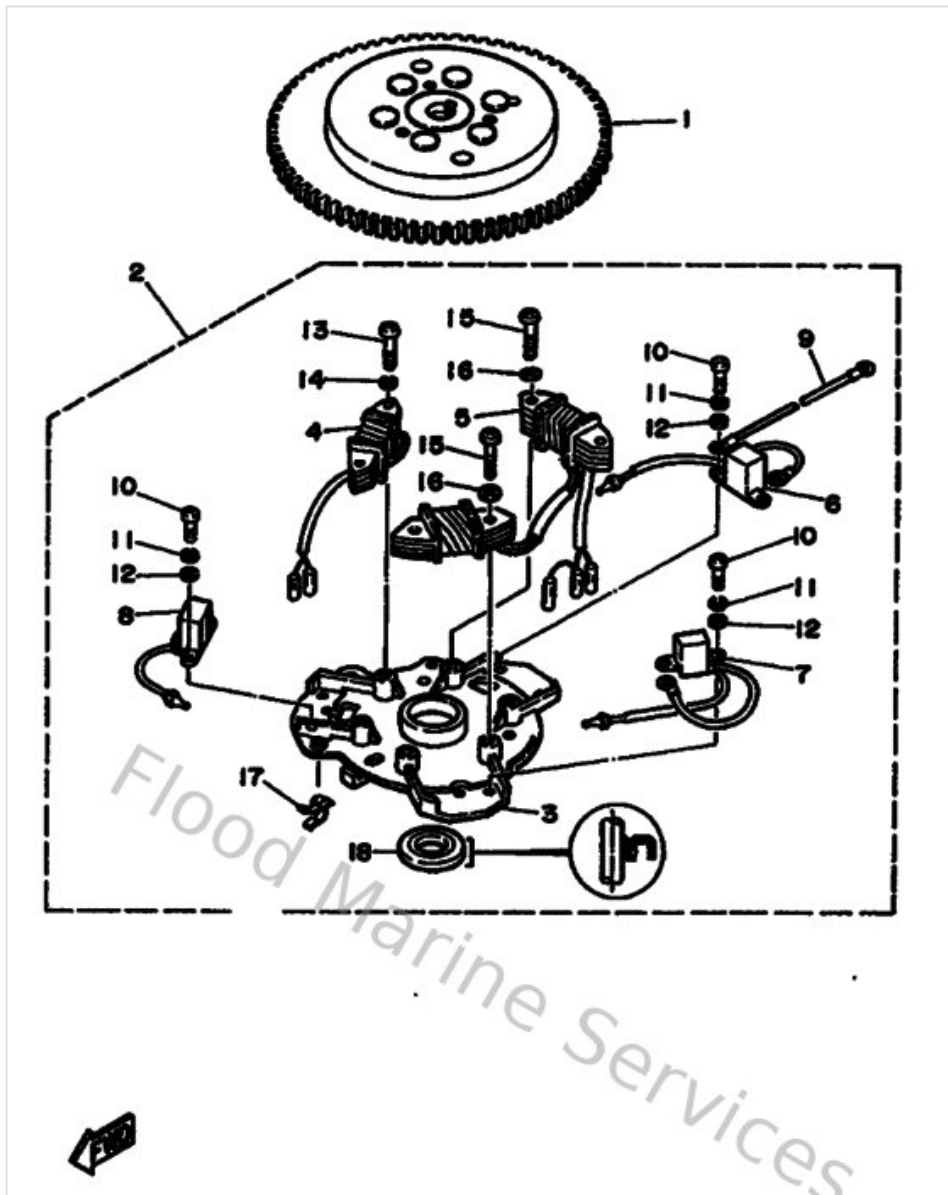
Ref	Part	
17	<a href="#">6J8436150000</a> Plate, tilt lock	<a href="#">Buy now</a>
18	<a href="#">6J8436130100</a> Arm, tilt lock	<a href="#">Buy now</a>
19	<a href="#">6H4436590000</a> Shaft, reverse lock	<a href="#">Buy now</a>
20	<a href="#">6J8436110100</a> Shaft, tilt lock	<a href="#">Buy now</a>
21	<a href="#">9038707M6400</a> Collar (6h4)	<a href="#">Buy now</a>
22	<a href="#">9343006M0200</a> Circlip (689)	<a href="#">Buy now</a>
23	<a href="#">990800560000</a> Circlip(22k)	<a href="#">Buy now</a>
25	<a href="#">6H4436740000</a> Washer 2	<a href="#">Buy now</a>
26	<a href="#">914902001000</a> Pin, cotter	<a href="#">Buy now</a>
27	<a href="#">6J8436310000</a> Lever, tilt	<a href="#">Buy now</a>
28	<a href="#">6J8436330000</a> Cover, tilt lever	<a href="#">Buy now</a>
29	<a href="#">9050818M2400</a> Spring, torsion(6h4)	<a href="#">Buy now</a>
30	<a href="#">6H4436160000</a> Rod, tilt lock 1	<a href="#">Buy now</a>
31	<a href="#">6J8436410000</a> Lever, tilt	<a href="#">Buy now</a>
32	<a href="#">9024906M2300</a> Pin(6e7)	<a href="#">Buy now</a>

# Alternate 7



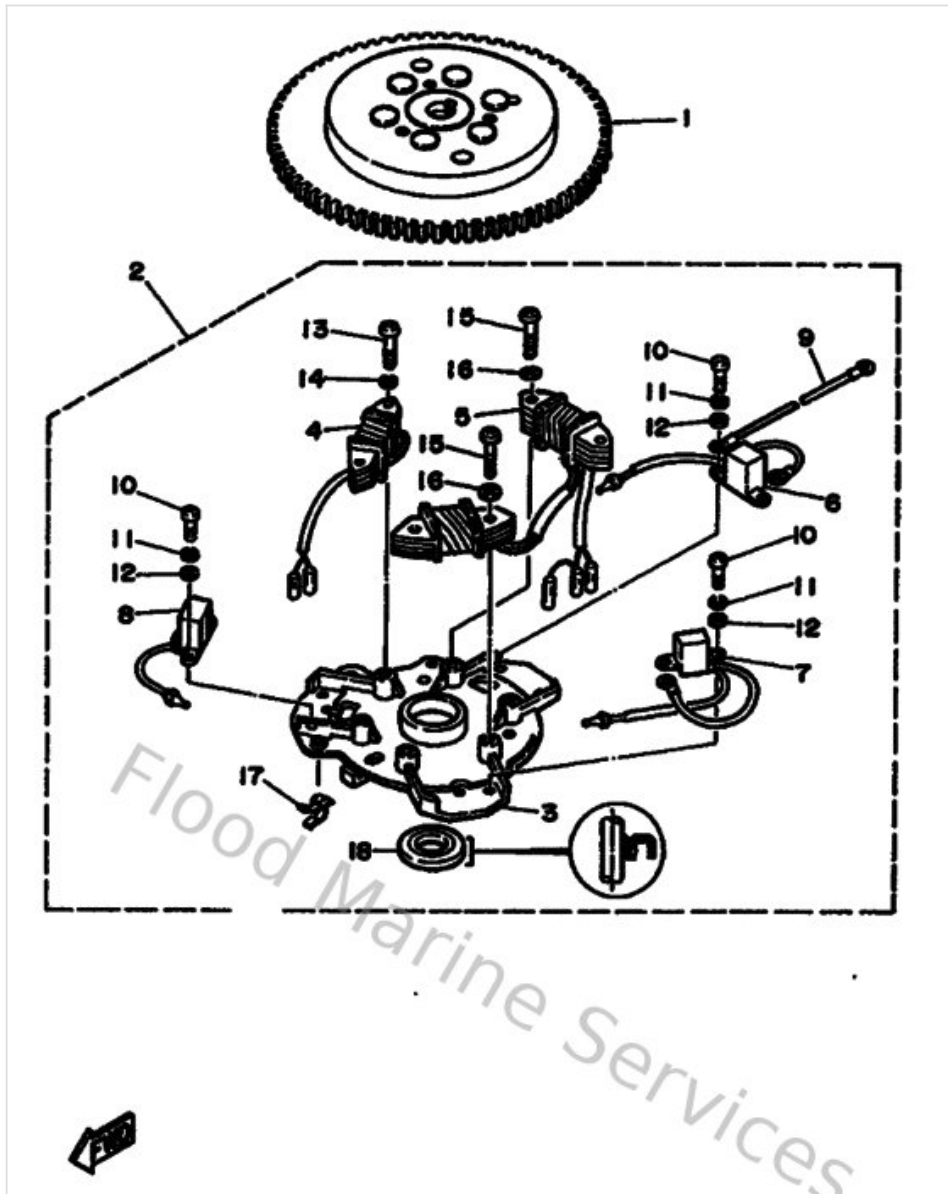
Ref	Part	
33	<a href="#">6J8436170000</a> Rod, tilt lock	<a href="#">Buy now</a>

## Alternate 8



Ref	Part	
1	<a href="#">6H5855500000</a> Rotor assembly	<a href="#">Buy now</a>
2	<a href="#">6H5855600100</a> Base Assembly	<a href="#">Buy now</a>
3	<a href="#">6H4153590394</a> Housing, oil seal	<a href="#">Buy now</a>
4	<a href="#">63D855200100</a> Coil, charge	<a href="#">Buy now</a>
5	<a href="#">6H5855330100</a> Coil, Lighting	<a href="#">Buy now</a>
6	<a href="#">6H5855800000</a> Coil, Pulser	<a href="#">Buy now</a>
7	<a href="#">6H5855801000</a> Coil, Pulser	<a href="#">Buy now</a>
10	<a href="#">985010501200</a> Screw,pan head (646)	<a href="#">Buy now</a>
11	<a href="#">929900510000</a> Ybs67-5 washer, spring	<a href="#">Buy now</a>
12	<a href="#">929010560000</a> Washer, plain (646)	<a href="#">Buy now</a>
13	<a href="#">925010602500</a> Screw, pan head (76t)	<a href="#">Buy now</a>
14	<a href="#">929950610000</a> Washer(6a1)	<a href="#">Buy now</a>
15	<a href="#">925010603000</a> Screw, pan head(6e0)	<a href="#">Buy now</a>
16	<a href="#">929900610000</a> Washer(6a1)	<a href="#">Buy now</a>
17	<a href="#">9046403M1500</a> Clamp(6j8)	<a href="#">Buy now</a>

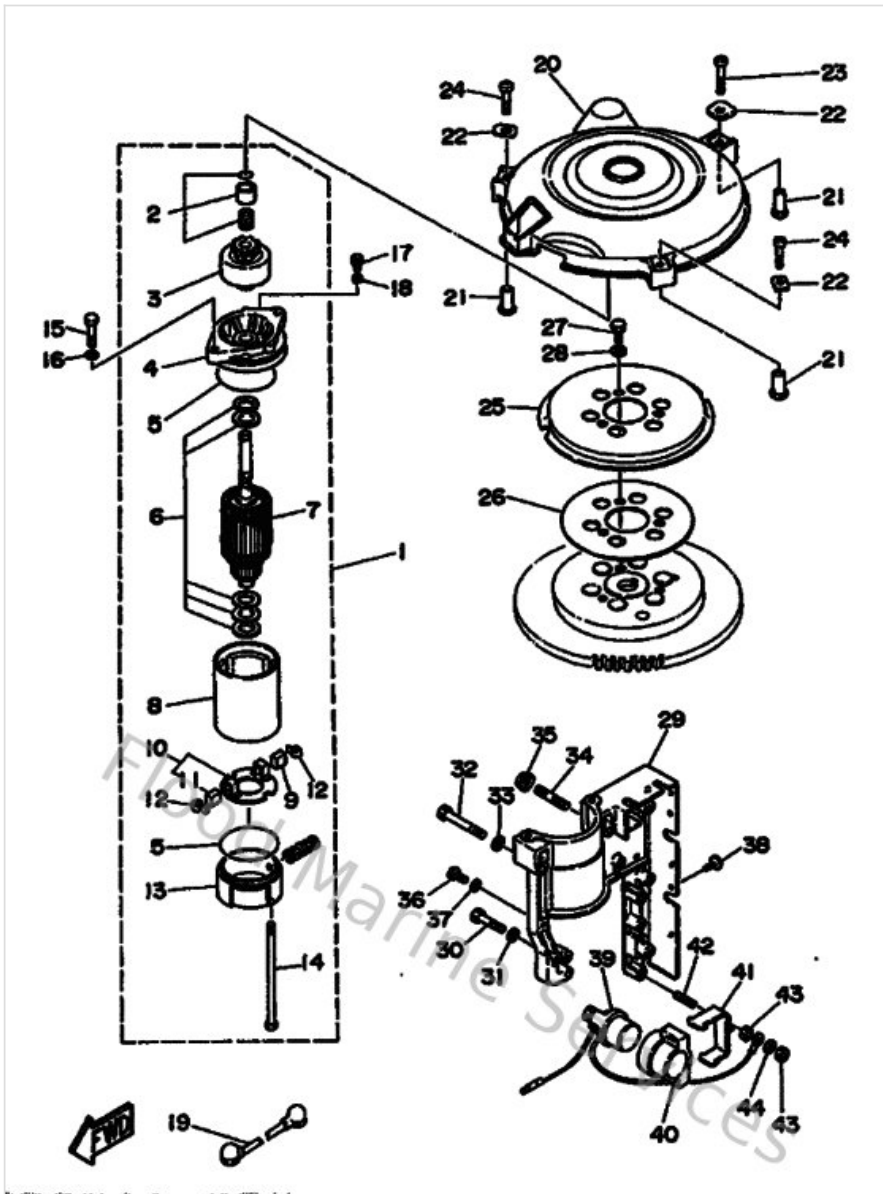
# Alternate 8



Ref	Part	
18	<a href="#">931022309600</a> Oil seal (23x38x7-648)	<a href="#">Buy now</a>

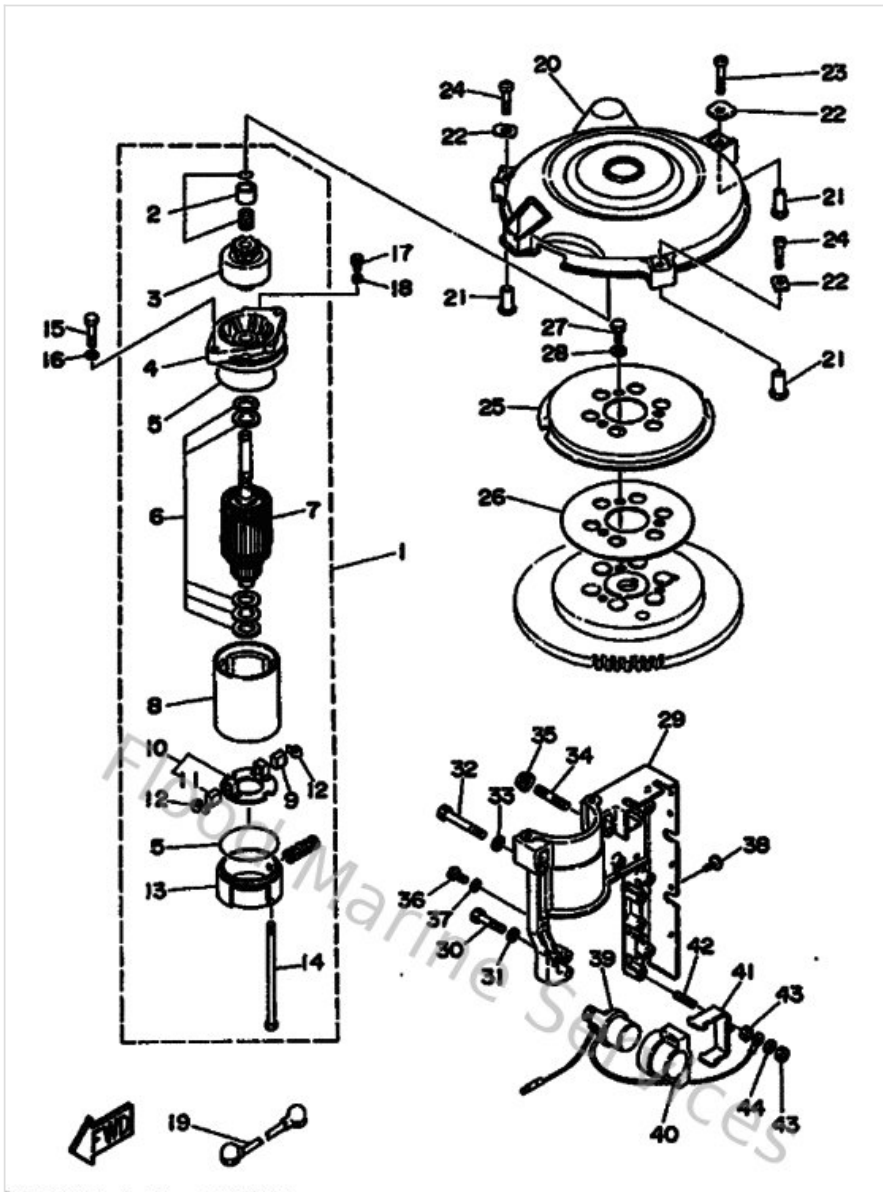


# Alternate 9



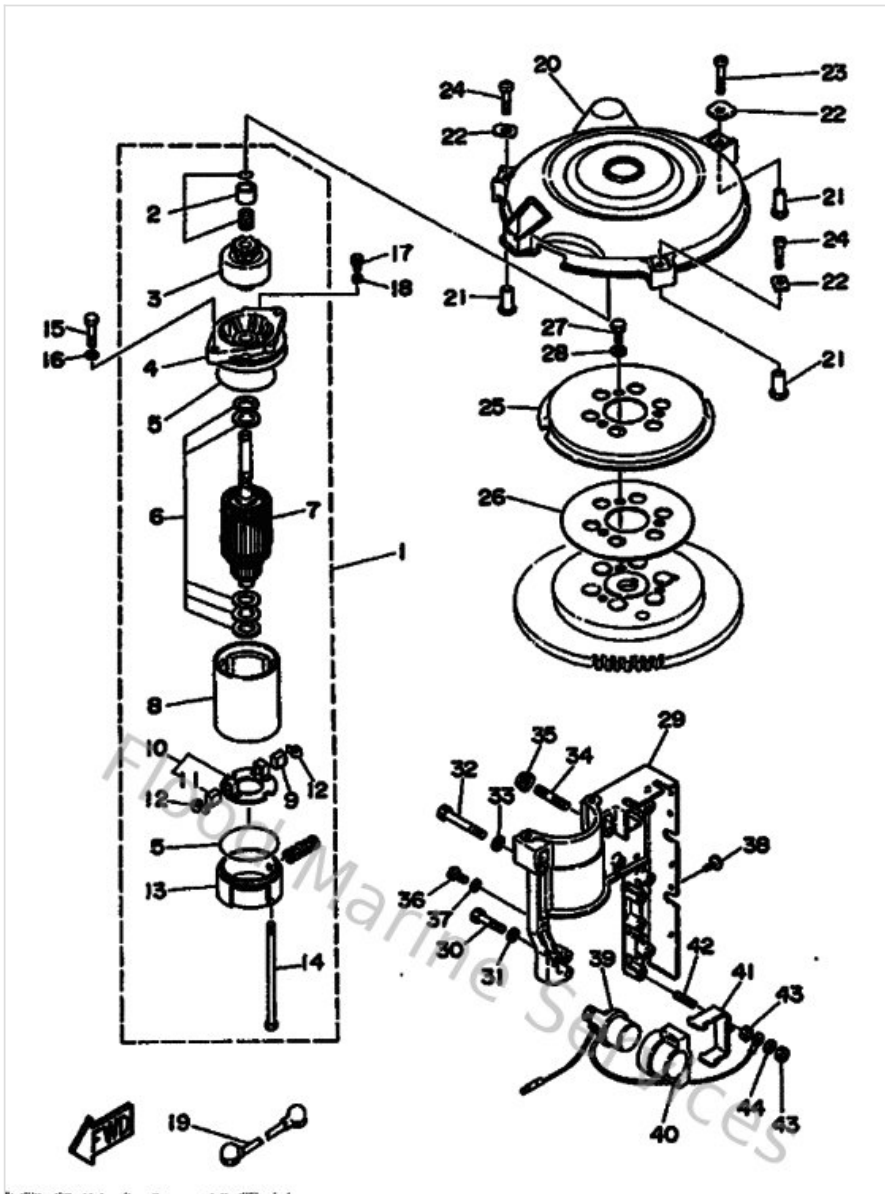
Ref	Part	
1	<a href="#">6F5818001100</a> Starting motor assembly	<a href="#">Buy now</a>
2	<a href="#">689818571100</a> Pinion stopper set	<a href="#">Buy now</a>
3	<a href="#">689818071200</a> Pinion assembly	<a href="#">Buy now</a>
4	<a href="#">6F5818301100</a> Front cover assembly	<a href="#">Buy now</a>
5	<a href="#">689818471100</a> O-ring	<a href="#">Buy now</a>
6	<a href="#">689818091100</a> Washer kit	<a href="#">Buy now</a>
7	<a href="#">689818501200</a> Armature assembly	<a href="#">Buy now</a>
8	<a href="#">689818101100</a> Stator ass'y	<a href="#">Buy now</a>
9	<a href="#">689818111100</a> Brush 1	<a href="#">Buy now</a>
10	<a href="#">689818401100</a> Brush holder assembly	<a href="#">Buy now</a>
11	<a href="#">689818121100</a> Brush 2	<a href="#">Buy now</a>
12	<a href="#">689818131000</a> Spring, brush	<a href="#">Buy now</a>
13	<a href="#">689818201100</a> Rear cover ass'y	<a href="#">Buy now</a>
14	<a href="#">689818261000</a> Bolt	<a href="#">Buy now</a>
15	<a href="#">973130803000</a> Bolt	<a href="#">Buy now</a>

# Alternate 9



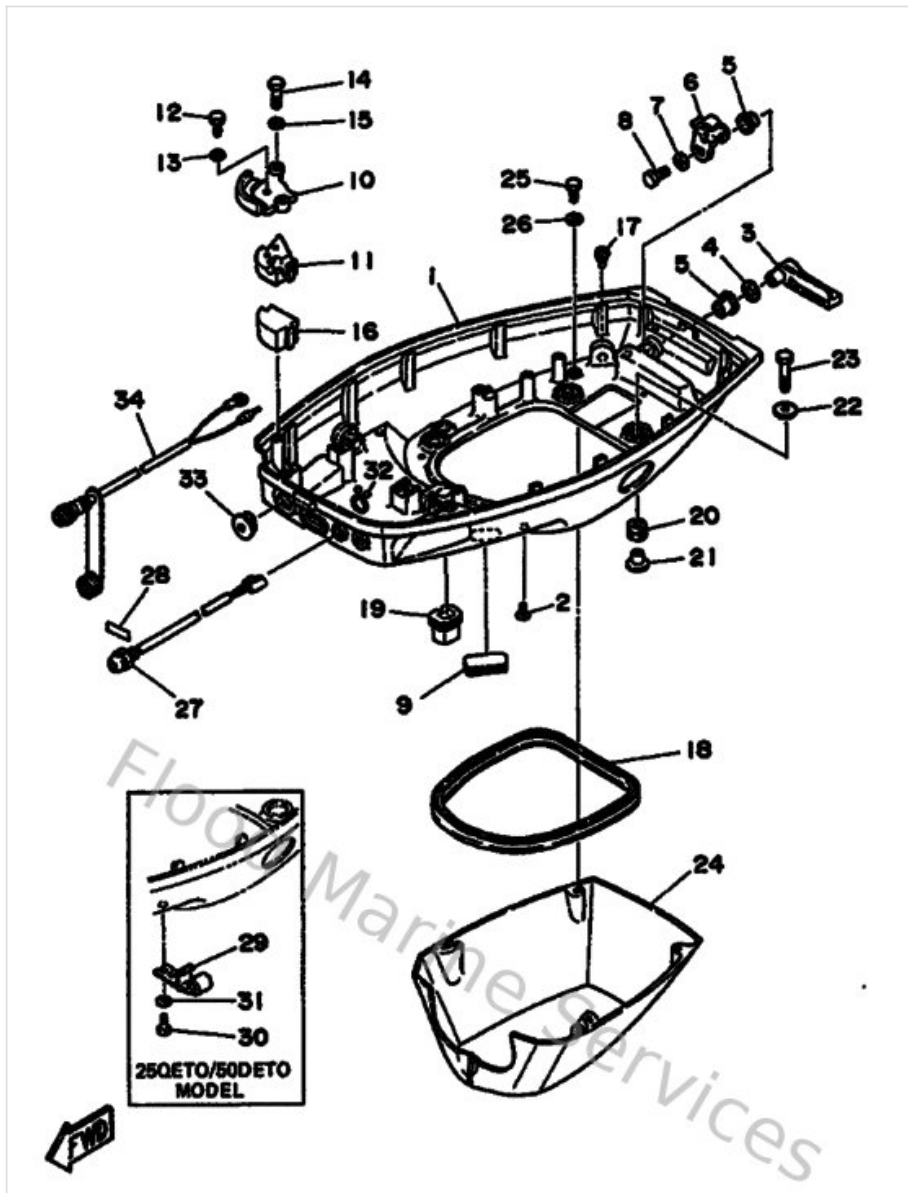
Ref	Part	
16	<a href="#">929900860000</a> Washer, plain (663)	<a href="#">Buy now</a>
17	<a href="#">970130801600</a> Bolt, hexagon	<a href="#">Buy now</a>
19	<a href="#">6H4821170000</a> Wire, lead	<a href="#">Buy now</a>
20	<a href="#">6H4813370100</a> Cover, flywheel	<a href="#">Buy now</a>
21	<a href="#">9038706M6500</a> Collar (6h4)	<a href="#">Buy now</a>
22	<a href="#">9020906M0400</a> Washer	<a href="#">Buy now</a>
23	<a href="#">985800604000</a> Screw pan head	<a href="#">Buy now</a>
25	<a href="#">6J815723E100</a> Pulley, starter	<a href="#">Buy now</a>
26	<a href="#">6J881365A000</a> Gasket, hole cover	<a href="#">Buy now</a>
27	<a href="#">970210801400</a> Bolt, hexagon	<a href="#">Buy now</a>
29	<a href="#">6H4818220298</a> Bracket, starting motor	<a href="#">Buy now</a>
30	<a href="#">973130603000</a> Bolt	<a href="#">Buy now</a>
31	<a href="#">929900660000</a> Washer, plain (646)	<a href="#">Buy now</a>
32	<a href="#">973130805000</a> Bolt, hexagon	<a href="#">Buy now</a>
34	<a href="#">956700664000</a> Bolt, stud(6h4)	<a href="#">Buy now</a>

# Alternate 9



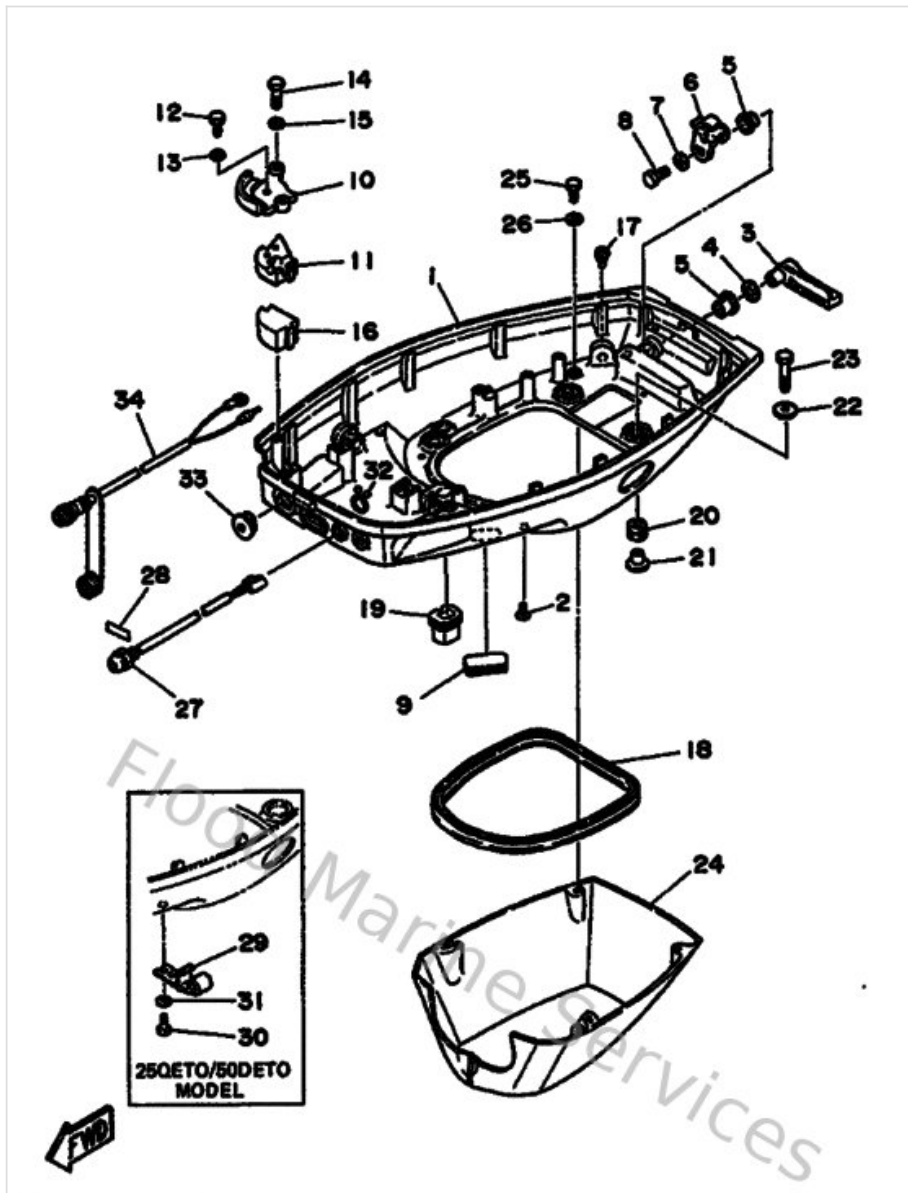
Ref	Part	
35	<a href="#">9017906M2400</a> Nut(6j8)	<a href="#">Buy now</a>
36	<a href="#">973950601400</a> Bolt(gj3)	<a href="#">Buy now</a>
38	<a href="#">9033805M1200</a> Plug(6h4)	<a href="#">Buy now</a>
39	<a href="#">6G1819411000</a> Starter relay	<a href="#">Buy now</a>
40	<a href="#">6H4819520000</a> Holder, relay	<a href="#">Buy now</a>
41	<a href="#">6H4819450000</a> Plate, switch fitting	<a href="#">Buy now</a>
42	<a href="#">9011606M2200</a> Bolt, stud (6h1)	<a href="#">Buy now</a>
43	<a href="#">953800660000</a> Nut(661)	<a href="#">Buy now</a>

## Bottom Cowling



Ref	Part	
2	<a href="#">9033805M0300</a> Plug (6h1)	<a href="#">Buy now</a>
3	<a href="#">6H4428150000</a> Lever, clamp 1	<a href="#">Buy now</a>
4	<a href="#">902061205200</a> Washer, wave (666)	<a href="#">Buy now</a>
5	<a href="#">903861206900</a> Bush(666)	<a href="#">Buy now</a>
6	<a href="#">6H4428160000</a> Lever, clamp 2	<a href="#">Buy now</a>
7	<a href="#">9020106M0200</a> Washer,plate (6k8)	<a href="#">Buy now</a>
8	<a href="#">973130601000</a> Bolt	<a href="#">Buy now</a>
9	<a href="#">6H1427261000</a> Grommet	<a href="#">Buy now</a>
10	<a href="#">6H4485311094</a> Bracket, remote control 1	<a href="#">Buy now</a>
11	<a href="#">6H4485321194</a> Bracket, remote control 2	<a href="#">Buy now</a>
12	<a href="#">970950501600</a> Bolt(6a1)	<a href="#">Buy now</a>
13	<a href="#">929900560000</a> Washer, plain (646)	<a href="#">Buy now</a>
14	<a href="#">973950602000</a> Bolt(7u8)	<a href="#">Buy now</a>
15	<a href="#">929900660000</a> Washer, plain (646)	<a href="#">Buy now</a>
16	<a href="#">6H4427240000</a> Grommet	<a href="#">Buy now</a>

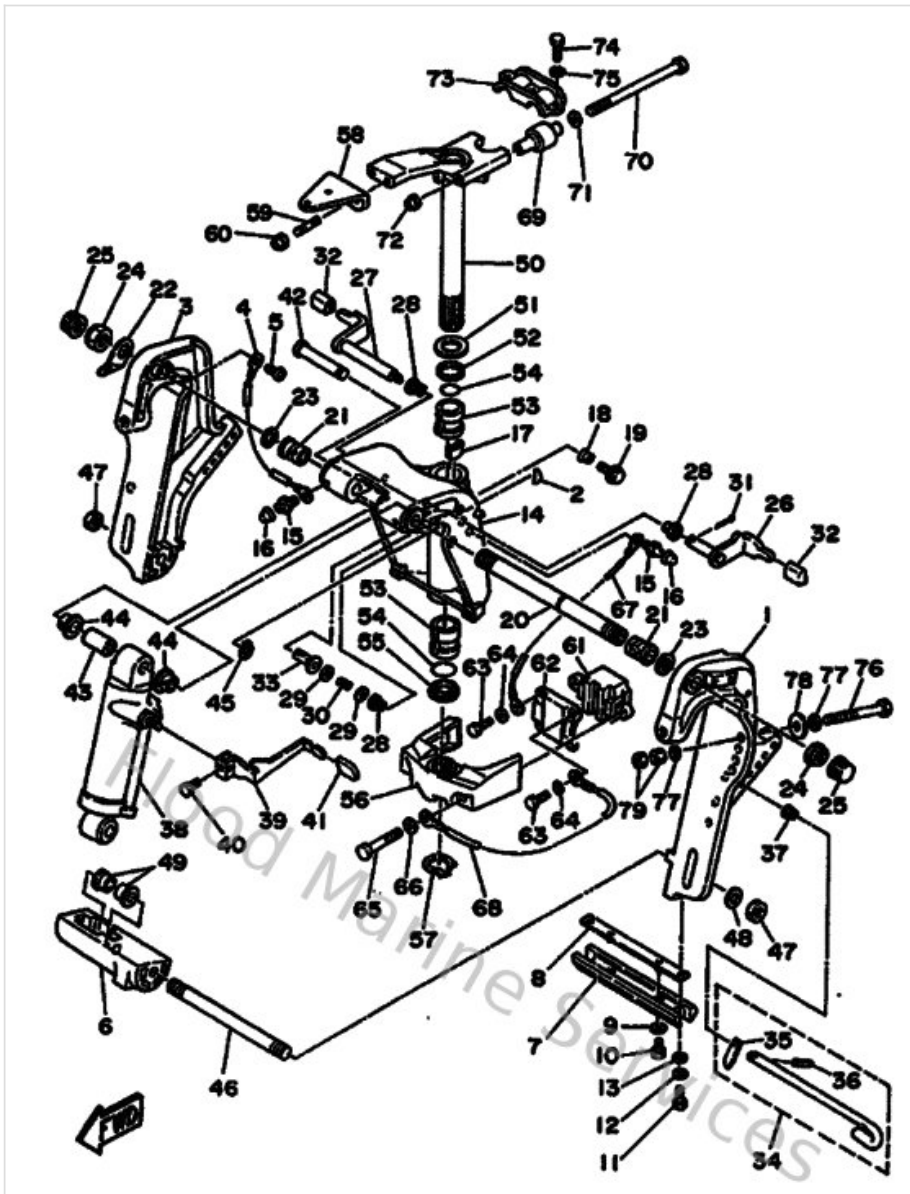
## Bottom Cowling



Ref	Part	
17	<a href="#">6E5443910000</a> Nipple, hose	<a href="#">Buy now</a>
18	<a href="#">6H4427160000</a> Rubber seal 1	<a href="#">Buy now</a>
19	<a href="#">682427270000</a> Grommet	<a href="#">Buy now</a>
20	<a href="#">9048009M2100</a> Grommet (6e9)	<a href="#">Buy now</a>
21	<a href="#">9038706M4100</a> Coller (6e9)	<a href="#">Buy now</a>
22	<a href="#">902010641600</a> Washer, plate(663)	<a href="#">Buy now</a>
23	<a href="#">973130603000</a> Bolt	<a href="#">Buy now</a>
25	<a href="#">970950601600</a> Bolt, hexagon deep recess	<a href="#">Buy now</a>
27	<a href="#">6J8854100000</a> Emergency signal light assembly	<a href="#">Buy now</a>
28	<a href="#">6H4854151000</a> Mark, signal lamp	<a href="#">Buy now</a>
29	<a href="#">6E5243670100</a> Clamp, fuel pipe 2	<a href="#">Buy now</a>
30	<a href="#">9015706M0100</a> Screw (6e5)	<a href="#">Buy now</a>
32	<a href="#">904651814700</a> Clamp	<a href="#">Buy now</a>
33	<a href="#">6H4427264000</a> Grommet	<a href="#">Buy now</a>

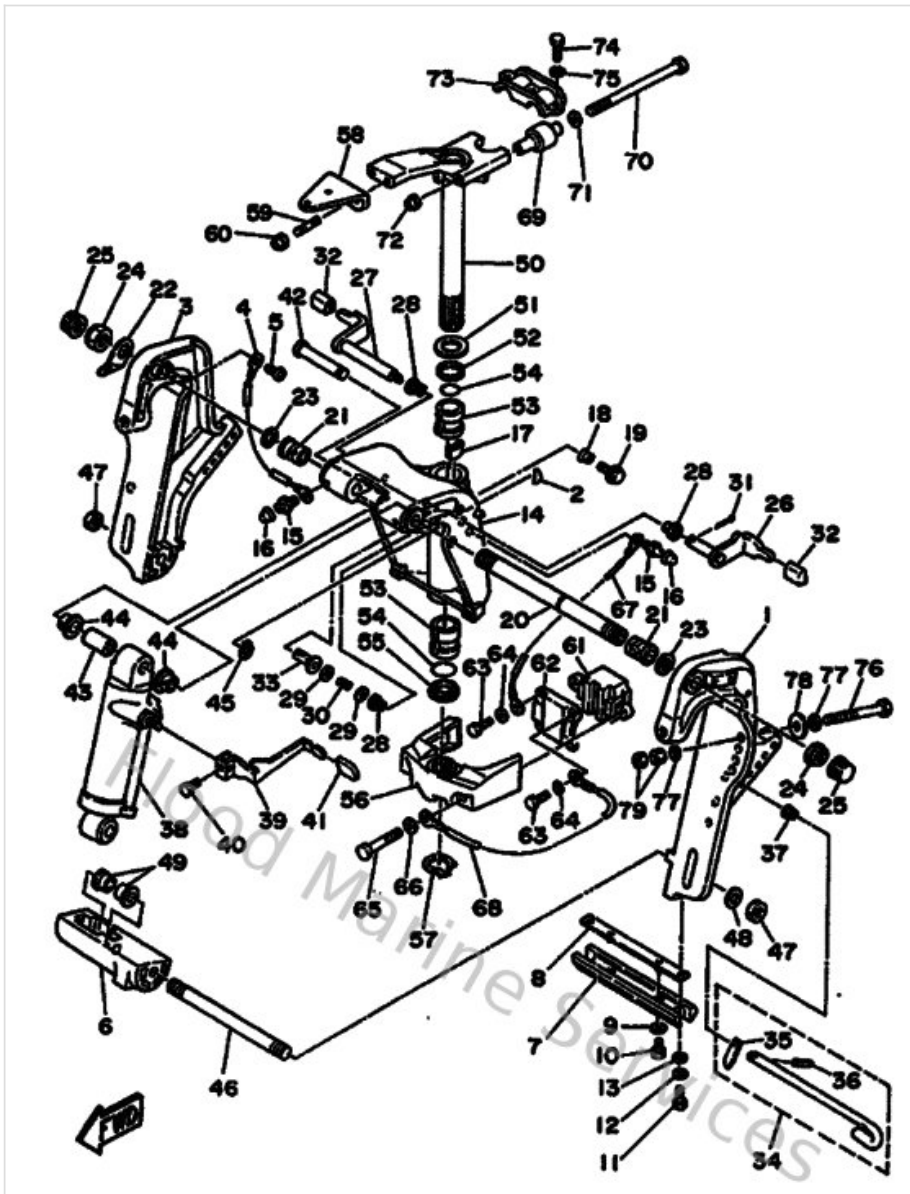


# Bracket



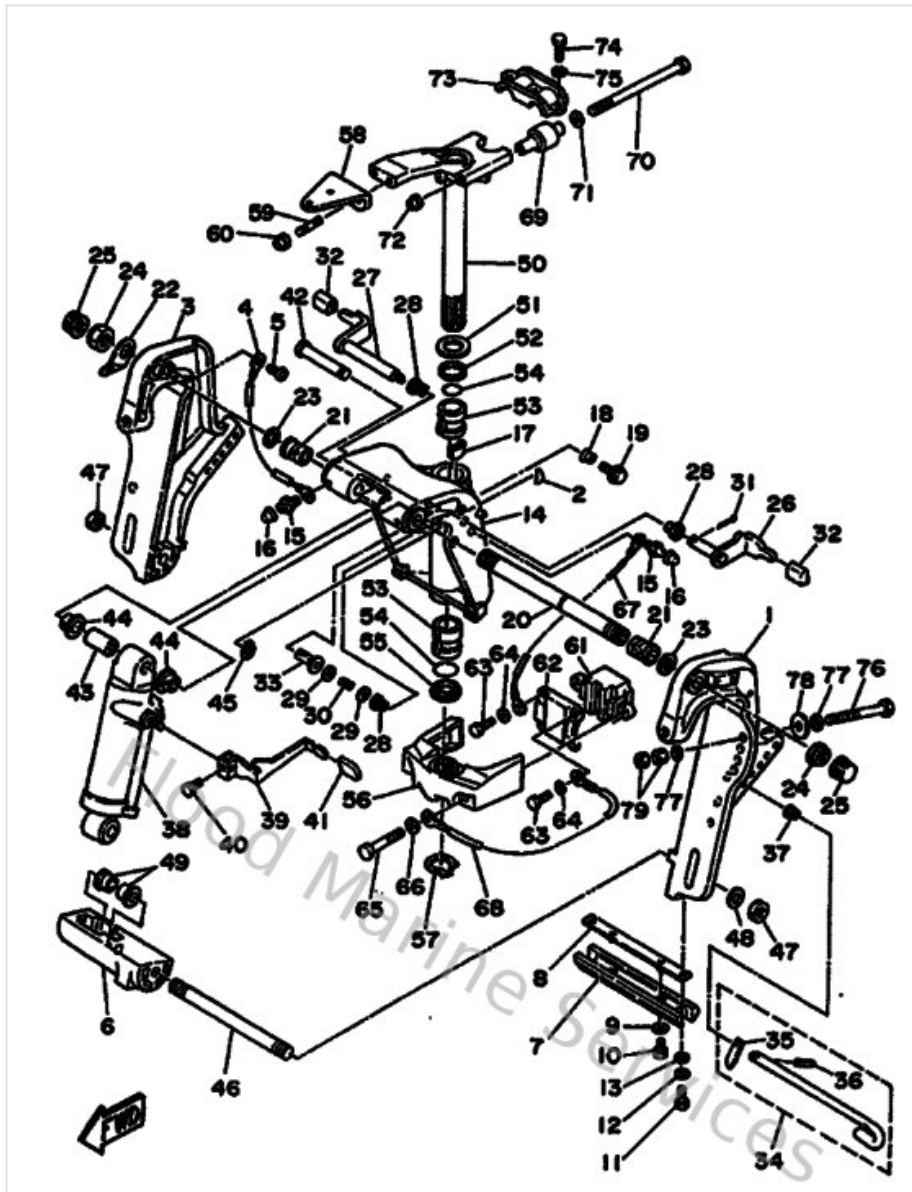
Ref	Part	
4	<a href="#">6E5821480000</a> Wire, lead 5	<a href="#">Buy now</a>
5	<a href="#">978950600800</a> Screw, pan head(6a3)	<a href="#">Buy now</a>
7	<a href="#">6H1452510200</a> Anode	<a href="#">Buy now</a>
8	<a href="#">6EK445360000</a> Plate 2	<a href="#">Buy now</a>
9	<a href="#">9020106M3100</a> Washer (6a0)	<a href="#">Buy now</a>
10	<a href="#">973950601200</a> Bolt(gh1)	<a href="#">Buy now</a>
11	<a href="#">970950601600</a> Bolt, hexagon deep recess	<a href="#">Buy now</a>
12	<a href="#">929900610000</a> Washer(6a1)	<a href="#">Buy now</a>
13	<a href="#">929900660000</a> Washer, plain (646)	<a href="#">Buy now</a>
15	<a href="#">9370006M0300</a> Nipple, grease(6a1)	<a href="#">Buy now</a>
16	<a href="#">663451190000</a> Cap, grease nipple	<a href="#">Buy now</a>
17	<a href="#">6j8425280000</a> Plate, friction	<a href="#">Buy now</a>
18	<a href="#">689433730100</a> Seal, damper	<a href="#">Buy now</a>
19	<a href="#">9010506M1800</a> Bolt (689)	<a href="#">Buy now</a>
20	<a href="#">6j8431310100</a> Bolt, clamp bracket	<a href="#">Buy now</a>

# Bracket



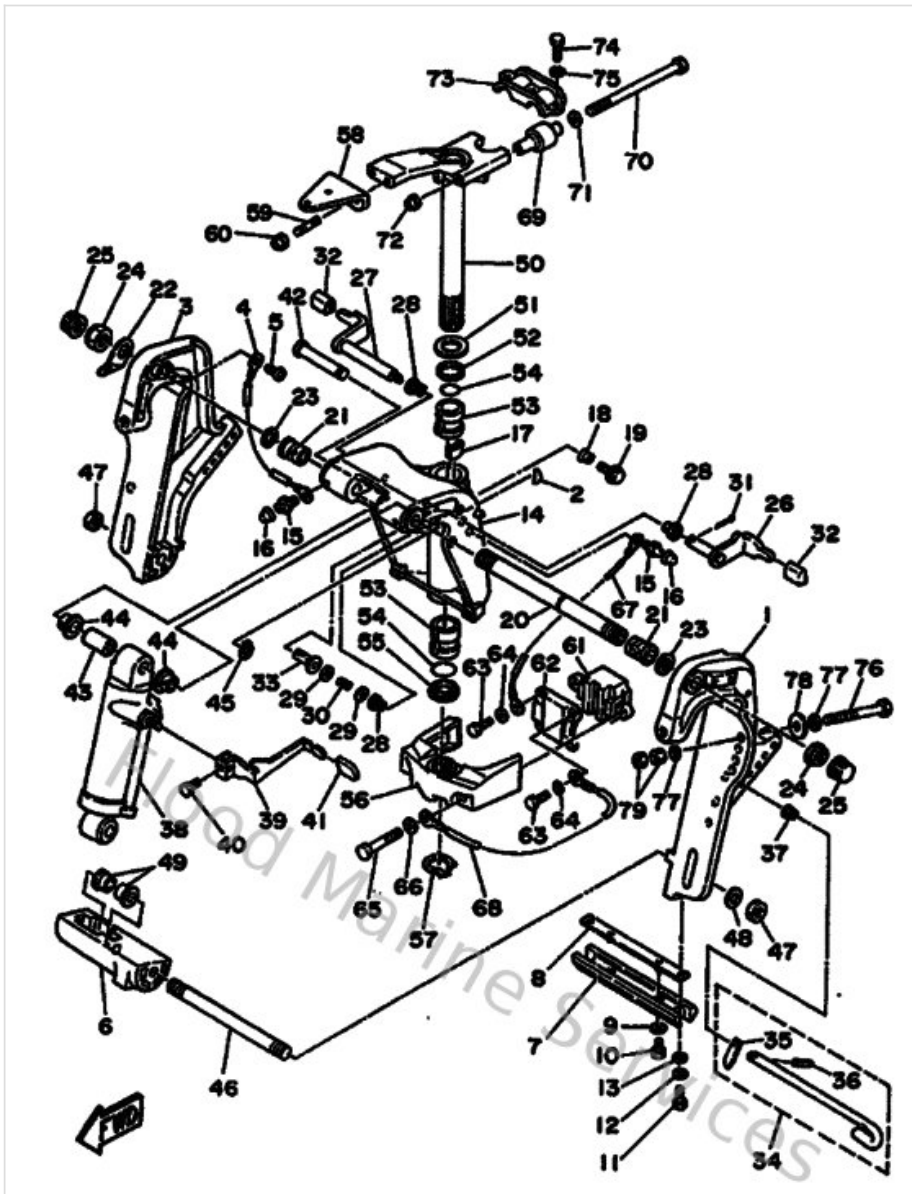
Ref	Part	
21	<a href="#">9038622M1500</a> Bushing (688)	<a href="#">Buy now</a>
22	<a href="#">6J8431130100</a> Plate, clamp bracket	<a href="#">Buy now</a>
23	<a href="#">902012242800</a> Washer, plate(64j)	<a href="#">Buy now</a>
24	<a href="#">901852204300</a> Nut, self-locking	<a href="#">Buy now</a>
25	<a href="#">6G5431450100</a> Cap, clamp bracket	<a href="#">Buy now</a>
28	<a href="#">9038610M1600</a> Bushing (688)	<a href="#">Buy now</a>
29	<a href="#">929901060000</a> Washer, plate	<a href="#">Buy now</a>
30	<a href="#">9050110M2100</a> Spring (688)	<a href="#">Buy now</a>
31	<a href="#">914903003000</a> Pin, cotter	<a href="#">Buy now</a>
32	<a href="#">663433180000</a> Cover	<a href="#">Buy now</a>
33	<a href="#">9038610M1900</a> Bush	<a href="#">Buy now</a>
34	<a href="#">676431600200</a> Tilt rod assembly	<a href="#">Buy now</a>
35	<a href="#">676431650000</a> Stopper plate, titl lock rod	<a href="#">Buy now</a>
36	<a href="#">916903001200</a> Pin, spring	<a href="#">Buy now</a>
37	<a href="#">9050210M0400</a> Spring, conical(6f5)	<a href="#">Buy now</a>

# Bracket



Ref	Part	
40	<a href="#">970850601000</a> Bolt	<a href="#">Buy now</a>
41	<a href="#">682433180100</a> Cover	<a href="#">Buy now</a>
42	<a href="#">6H5431260200</a> Pin, Upper Shock Mount	<a href="#">Buy now</a>
43	<a href="#">9038612M6500</a> Bush	<a href="#">Buy now</a>
44	<a href="#">9038612M6400</a> Bush(6h4)	<a href="#">Buy now</a>
45	<a href="#">9341012M0800</a> Circlip	<a href="#">Buy now</a>
46	<a href="#">9011618M2100</a> Bolt, Stud	<a href="#">Buy now</a>
47	<a href="#">9017018M1000</a> Nut (6h5)	<a href="#">Buy now</a>
48	<a href="#">929901860000</a> Washer(64j)	<a href="#">Buy now</a>
49	<a href="#">9038618M4400</a> Bushing (6g5)	<a href="#">Buy now</a>
50	<a href="#">6H44251009EJ</a> Steering Bracket assembly	<a href="#">Buy now</a>
51	<a href="#">9020130M0000</a> Washer, plate(6h1)	<a href="#">Buy now</a>
52	<a href="#">9038630M7800</a> Bush(6h0)	<a href="#">Buy now</a>
53	<a href="#">9038630M7700</a> Bush(6h0)	<a href="#">Buy now</a>
54	<a href="#">9321029M9400</a> O-ring(6h1)	<a href="#">Buy now</a>

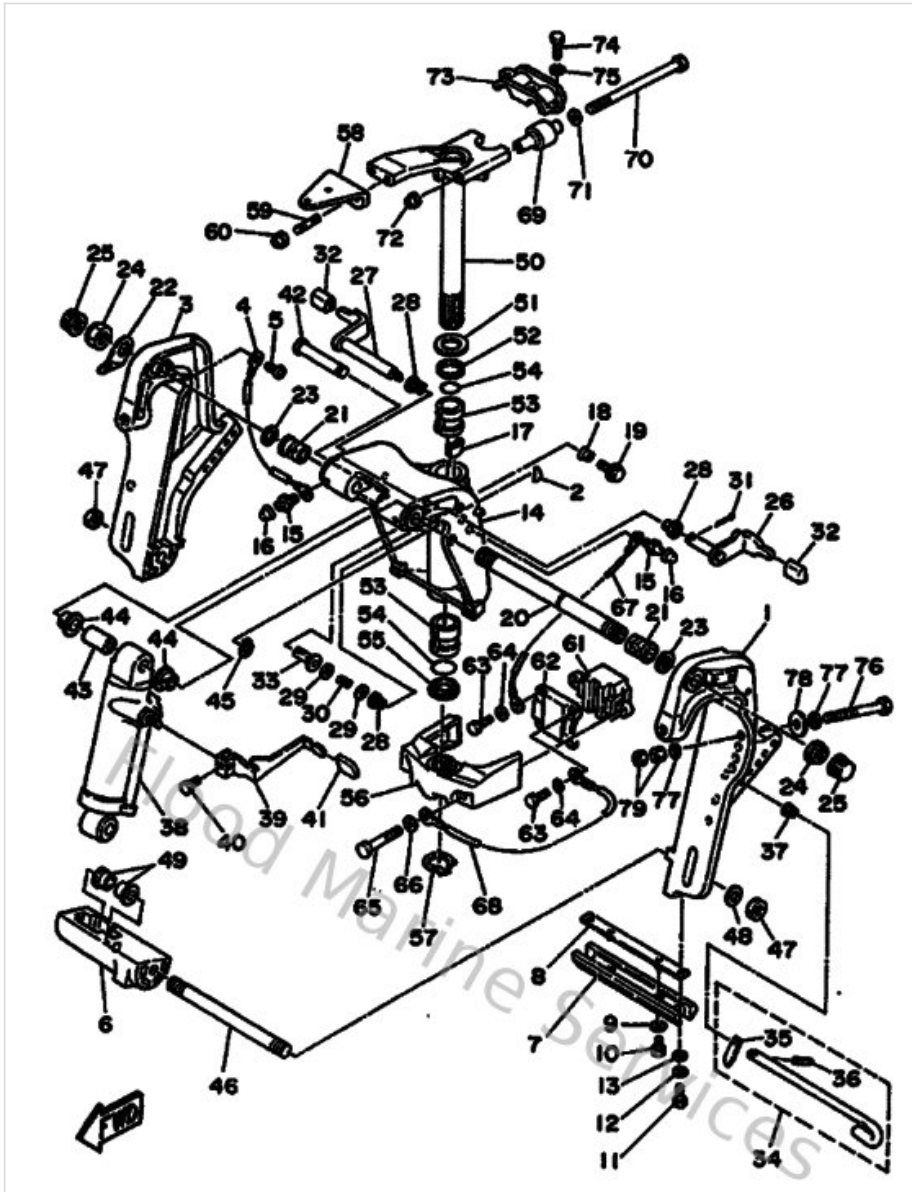
# Bracket



Ref	Part	
55	<a href="#">9038630M6000</a> Bush(6j8)	<a href="#">Buy now</a>
57	<a href="#">9341028M0600</a> Circlip (688)	<a href="#">Buy now</a>
58	<a href="#">6H448511514D</a> Hook, Steering	<a href="#">Buy now</a>
59	<a href="#">901161017500</a> Bolt, stud	<a href="#">Buy now</a>
60	<a href="#">901851002700</a> Nut, self-locking	<a href="#">Buy now</a>
61	<a href="#">6H4445570000</a> Mount, lower front	<a href="#">Buy now</a>
62	<a href="#">6H4445530100</a> Cover, lower mount	<a href="#">Buy now</a>
63	<a href="#">970950802500</a> Bolt (62g)	<a href="#">Buy now</a>
64	<a href="#">929900860000</a> Washer, plain (663)	<a href="#">Buy now</a>
65	<a href="#">973951006000</a> Bolt, hexagon	<a href="#">Buy now</a>
67	<a href="#">6H5821170000</a> Wire, Lead	<a href="#">Buy now</a>
68	<a href="#">6H5821490000</a> Wire, Lead 3	<a href="#">Buy now</a>
70	<a href="#">9010108M8600</a> Bolt (6h4)	<a href="#">Buy now</a>
71	<a href="#">902010942500</a> Washer, plate (663)	<a href="#">Buy now</a>
72	<a href="#">901850801800</a> Nut, self-locking	<a href="#">Buy now</a>



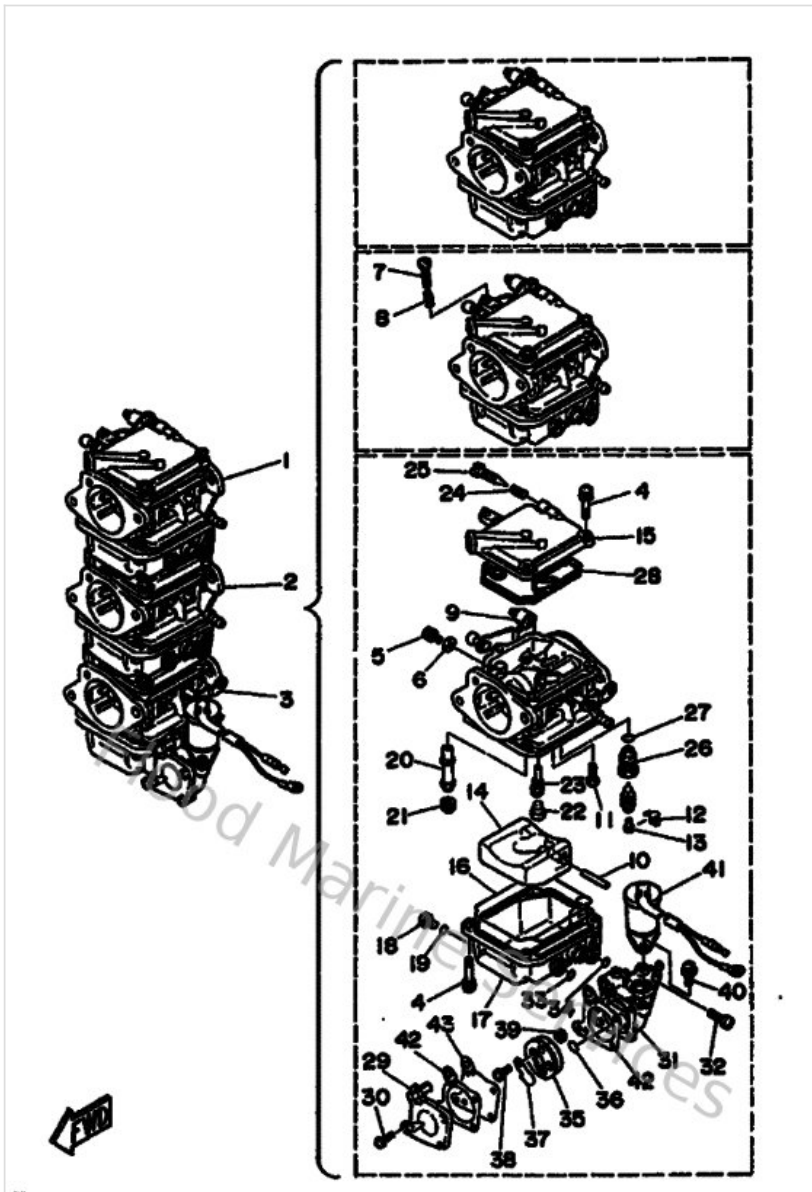
# Bracket



Ref	Part	
73	<a href="#">6H4445110094</a> Cover, Upper Mount	<a href="#">Buy now</a>
74	<a href="#">970900803500</a> Bolt(70w)	<a href="#">Buy now</a>
75	<a href="#">929900810000</a> Ybs67-8 washer, spring	<a href="#">Buy now</a>
76	<a href="#">9010112M6500</a> Bolt	<a href="#">Buy now</a>
77	<a href="#">929951220000</a> Ybs66-12 washer,plain	<a href="#">Buy now</a>
78	<a href="#">902011242600</a> Washe, plate(663)	<a href="#">Buy now</a>
79	<a href="#">953801260000</a> Nut (707)	<a href="#">Buy now</a>

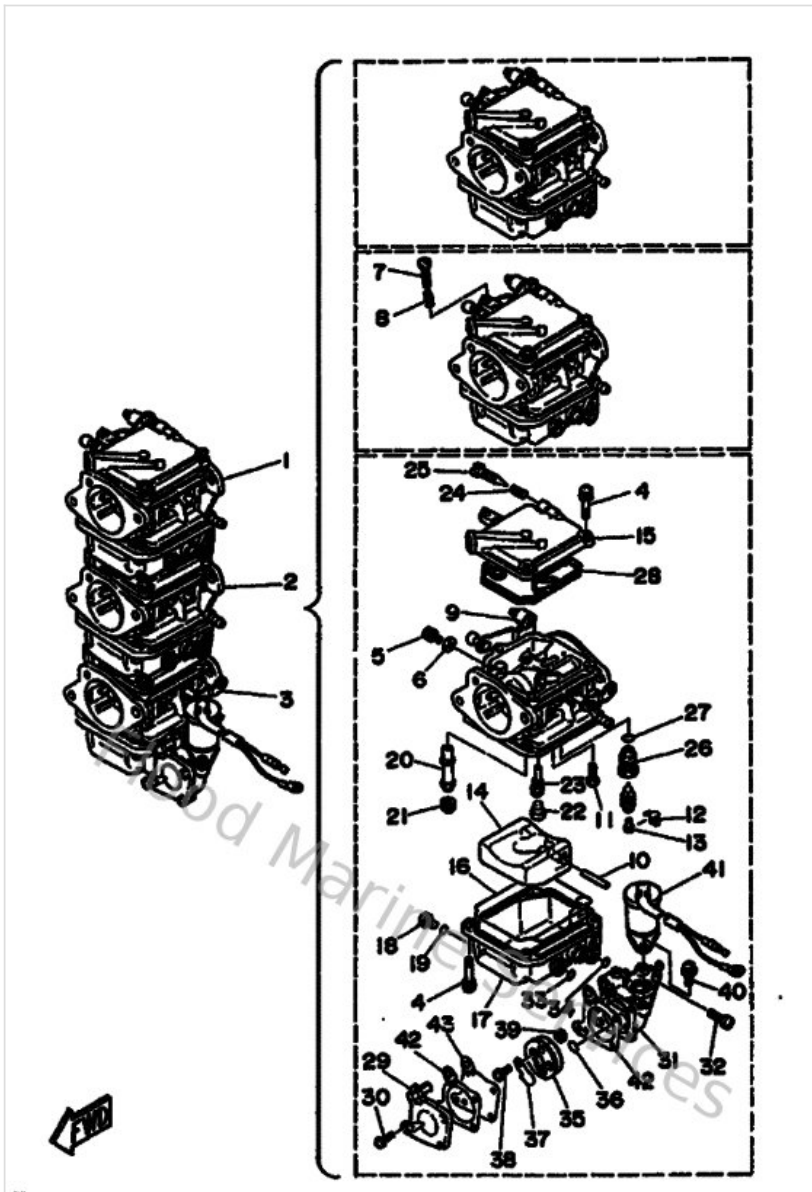


# Carburetor



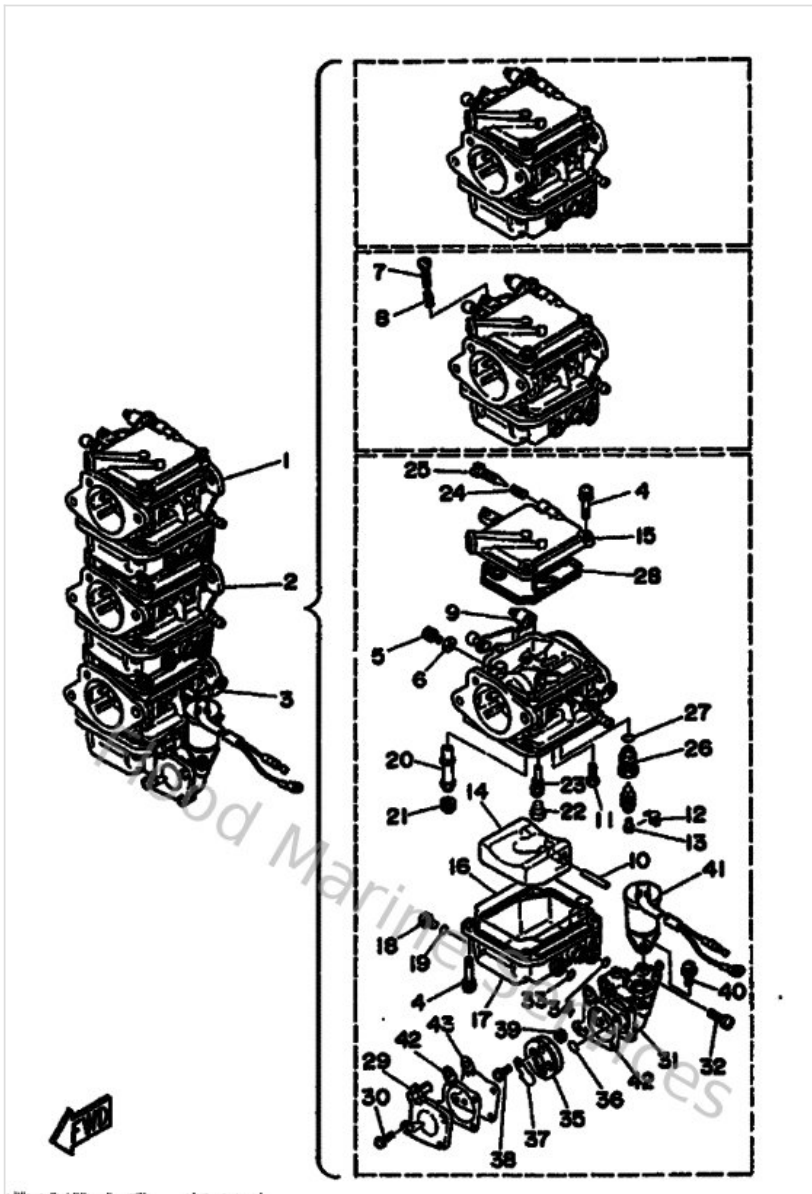
Ref	Part	
1	<a href="#">6H5143011100</a> Carburetor Assembly 1	<a href="#">Buy now</a>
4	<a href="#">979800411400</a> Screw, pan head(ga5)	<a href="#">Buy now</a>
5	<a href="#">663145920000</a> Screw	<a href="#">Buy now</a>
6	<a href="#">902010565200</a> Washer, plate(65j)	<a href="#">Buy now</a>
7	<a href="#">63V145230000</a> Screw, stop	<a href="#">Buy now</a>
8	<a href="#">905011032600</a> Spring coil(663)(carb)	<a href="#">Buy now</a>
9	<a href="#">6H2145780000</a> Collar	<a href="#">Buy now</a>
10	<a href="#">6H4145480000</a> Pin, float arm	<a href="#">Buy now</a>
11	<a href="#">985800400800</a> Screw, pan head (713)	<a href="#">Buy now</a>
12	<a href="#">633141590000</a> Clip	<a href="#">Buy now</a>
13	<a href="#">676141860000</a> Pin, valve	<a href="#">Buy now</a>
15	<a href="#">6H4141460000</a> Plate	<a href="#">Buy now</a>
16	<a href="#">6H4149840000</a> Gasket, float chamber	<a href="#">Buy now</a>
17	<a href="#">6H4149800000</a> Body, float chamber	<a href="#">Buy now</a>
18	<a href="#">6H3149920000</a> Screw, drain	<a href="#">Buy now</a>

# Carburetor



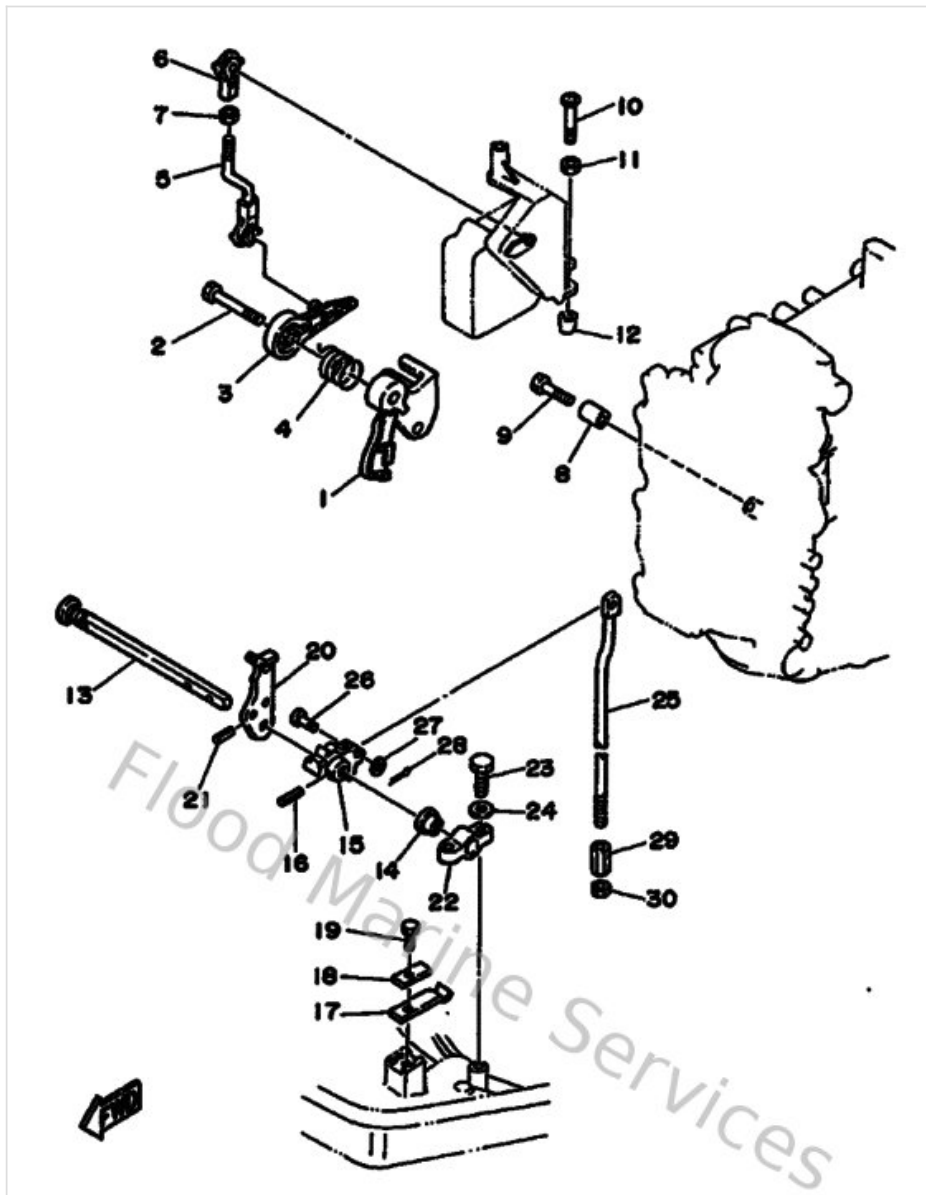
Ref	Part	
19	<a href="#">932100423000</a> O-ring (371)	<a href="#">Buy now</a>
20	<a href="#">6H5149470700</a> Jet, Needle	<a href="#">Buy now</a>
21	<a href="#">676149433300</a> Jet, main (#130)	<a href="#">Buy now</a>
22	<a href="#">676149660000</a> Rubber cap	<a href="#">Buy now</a>
23	<a href="#">62X149481200</a> Jet (#62)	<a href="#">Buy now</a>
24	<a href="#">679145550000</a> Spring	<a href="#">Buy now</a>
25	<a href="#">692149230000</a> Screw, adjusting	<a href="#">Buy now</a>
26	<a href="#">6H3145900000</a> Needle valve assembly	<a href="#">Buy now</a>
27	<a href="#">932100422800</a> O-ring (371)	<a href="#">Buy now</a>
28	<a href="#">6H4141470000</a> O-ring	<a href="#">Buy now</a>
29	<a href="#">6H4244520100</a> Cover	<a href="#">Buy now</a>
30	<a href="#">6H4145670000</a> Screw	<a href="#">Buy now</a>
32	<a href="#">6H4145921000</a> Screw	<a href="#">Buy now</a>
33	<a href="#">6H4145610000</a> O-ring	<a href="#">Buy now</a>
34	<a href="#">67F143981000</a> O-ring	<a href="#">Buy now</a>

# Carburetor



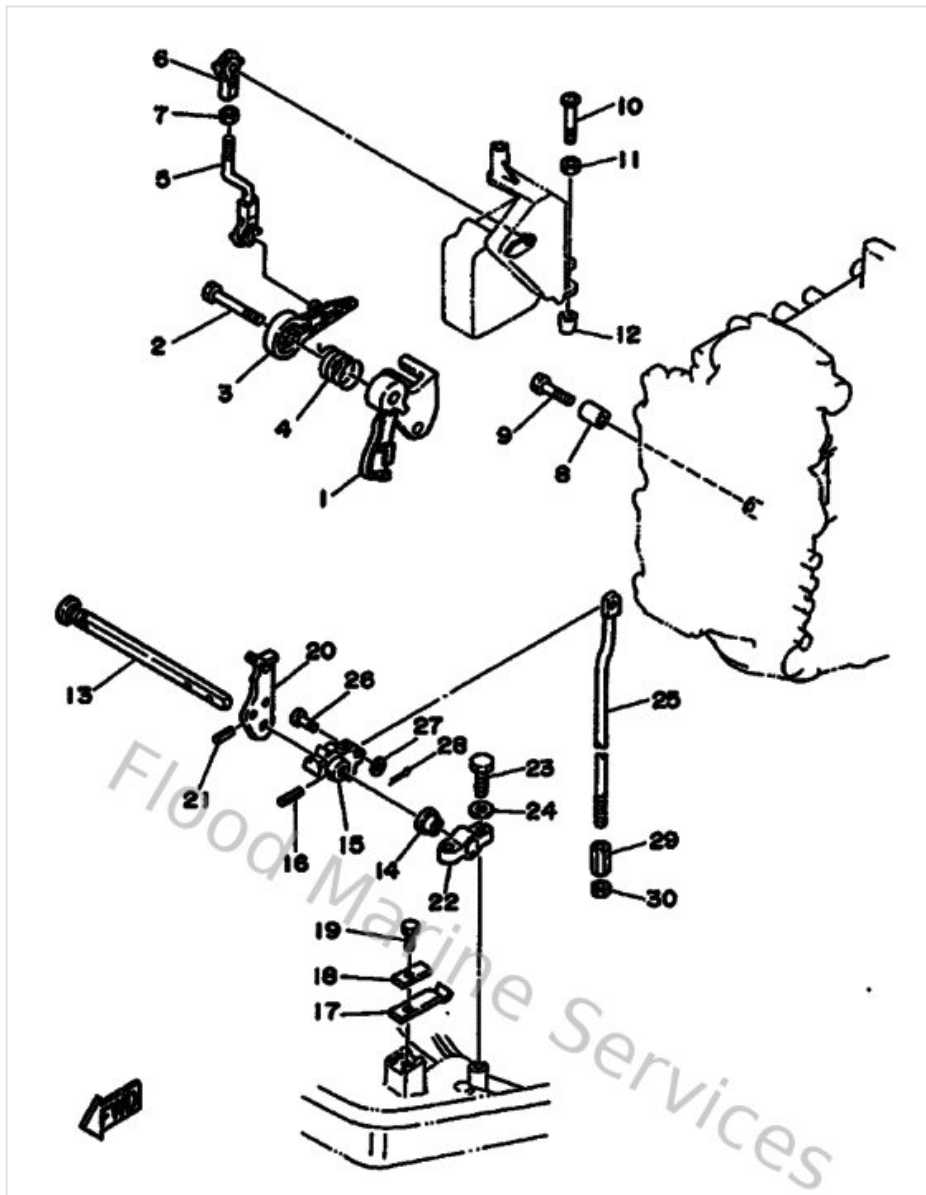
Ref	Part	
35	<a href="#">6H4244130000</a> Body 2	<a href="#">Buy now</a>
36	<a href="#">6H4244860000</a> O-ring	<a href="#">Buy now</a>
37	<a href="#">6L5244210000</a> Valve, check	<a href="#">Buy now</a>
38	<a href="#">989800300600</a> Screw, bind(6g1)	<a href="#">Buy now</a>
39	<a href="#">953800360000</a> Nut (6g8)	<a href="#">Buy now</a>
40	<a href="#">979800531000</a> Screw, with washer(6k5)	<a href="#">Buy now</a>
41	<a href="#">6H4861200000</a> Solenoid Valve Assembly	<a href="#">Buy now</a>
42	<a href="#">6H5244340000</a> Gasket, body	<a href="#">Buy now</a>
43	<a href="#">6H5244110000</a> Diaphragm	<a href="#">Buy now</a>

# Control



Ref	Part	
1	<a href="#">6H4412130400</a> Cam, Accel	<a href="#">Buy now</a>
2	<a href="#">9010906M4300</a> Bolt(6h4)	<a href="#">Buy now</a>
3	<a href="#">6H4416320100</a> Lever, Magneto Control	<a href="#">Buy now</a>
5	<a href="#">6G5416360100</a> Rod, magneto control	<a href="#">Buy now</a>
6	<a href="#">6H4412370000</a> Joint, link	<a href="#">Buy now</a>
7	<a href="#">953800560000</a> Nut, hexagon (663)	<a href="#">Buy now</a>
8	<a href="#">9038706M1900</a> Collar(6h4)	<a href="#">Buy now</a>
9	<a href="#">9010106M2700</a> Bolt	<a href="#">Buy now</a>
10	<a href="#">9015706M1300</a> Screw, pan head(6h4)	<a href="#">Buy now</a>
11	<a href="#">953030660000</a> Nut(661)	<a href="#">Buy now</a>
12	<a href="#">688441940000</a> Cap	<a href="#">Buy now</a>
13	<a href="#">6H4441111000</a> Handle, Gear Shift	<a href="#">Buy now</a>
14	<a href="#">682441320000</a> Bushing	<a href="#">Buy now</a>
15	<a href="#">6H4441210200</a> Lever, Shift Rod	<a href="#">Buy now</a>
16	<a href="#">9025403M0400</a> Pin, spring (6h3)	<a href="#">Buy now</a>

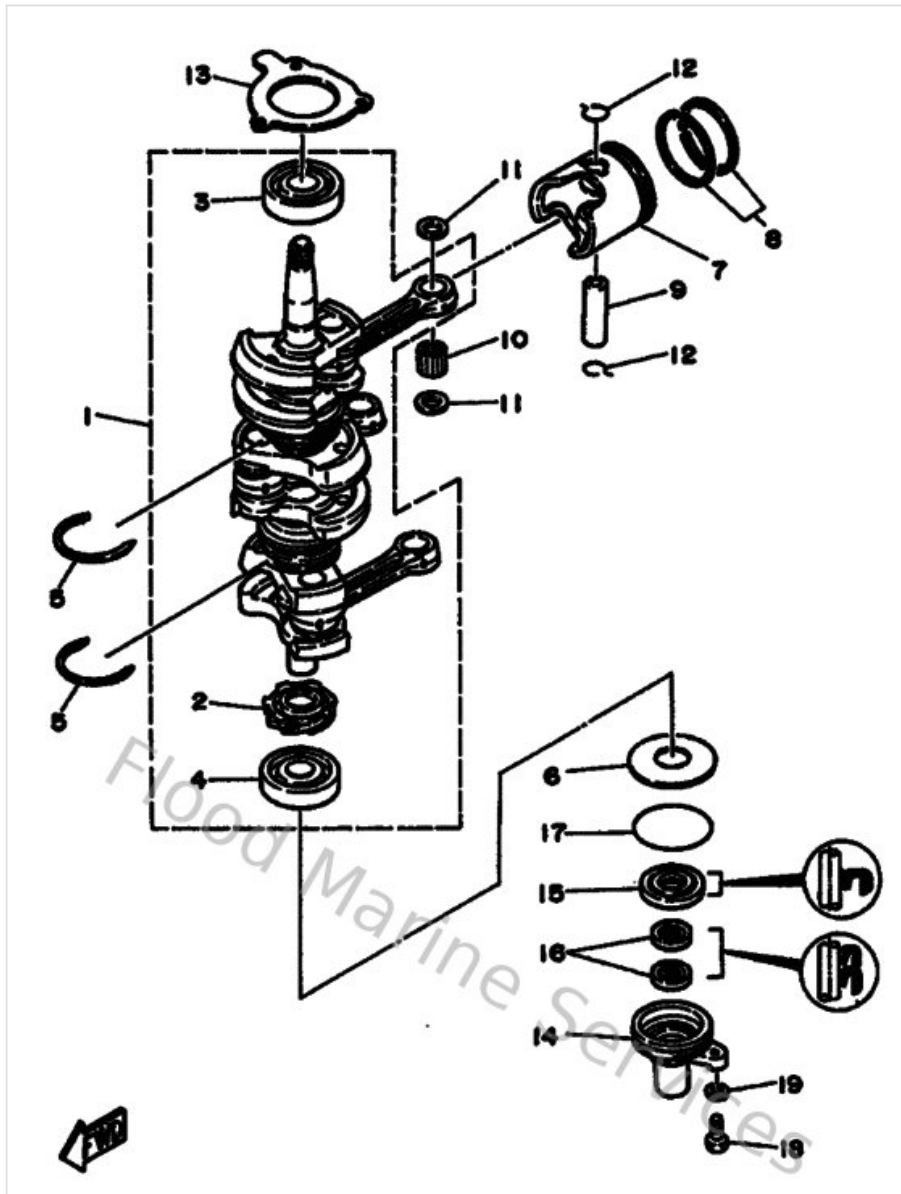
# Control



Ref	Part	
17	<a href="#">6H4441160000</a> Spring	<a href="#">Buy now</a>
18	<a href="#">682441170000</a> Bracket 1	<a href="#">Buy now</a>
19	<a href="#">973130601600</a> Bolt, hexagon deep recess	<a href="#">Buy now</a>
20	<a href="#">6H4441250100</a> Lever, Shift Rod	<a href="#">Buy now</a>
21	<a href="#">916903031600</a> Pin, spring	<a href="#">Buy now</a>
22	<a href="#">6F5416620000</a> Bracket 2	<a href="#">Buy now</a>
23	<a href="#">970800602000</a> Bolt(7u8)	<a href="#">Buy now</a>
24	<a href="#">929900660000</a> Washer, plain (646)	<a href="#">Buy now</a>
25	<a href="#">6H4441430000</a> Rod, Shift	<a href="#">Buy now</a>
26	<a href="#">917900502000</a> Pin, Clevis	<a href="#">Buy now</a>
27	<a href="#">929900560000</a> Washer, plain (646)	<a href="#">Buy now</a>
28	<a href="#">914901601000</a> Pin, cotter	<a href="#">Buy now</a>
29	<a href="#">648441460000</a> Connector, shift rod 2	<a href="#">Buy now</a>
30	<a href="#">901700702100</a> Nut hexagon 648441280000	<a href="#">Buy now</a>

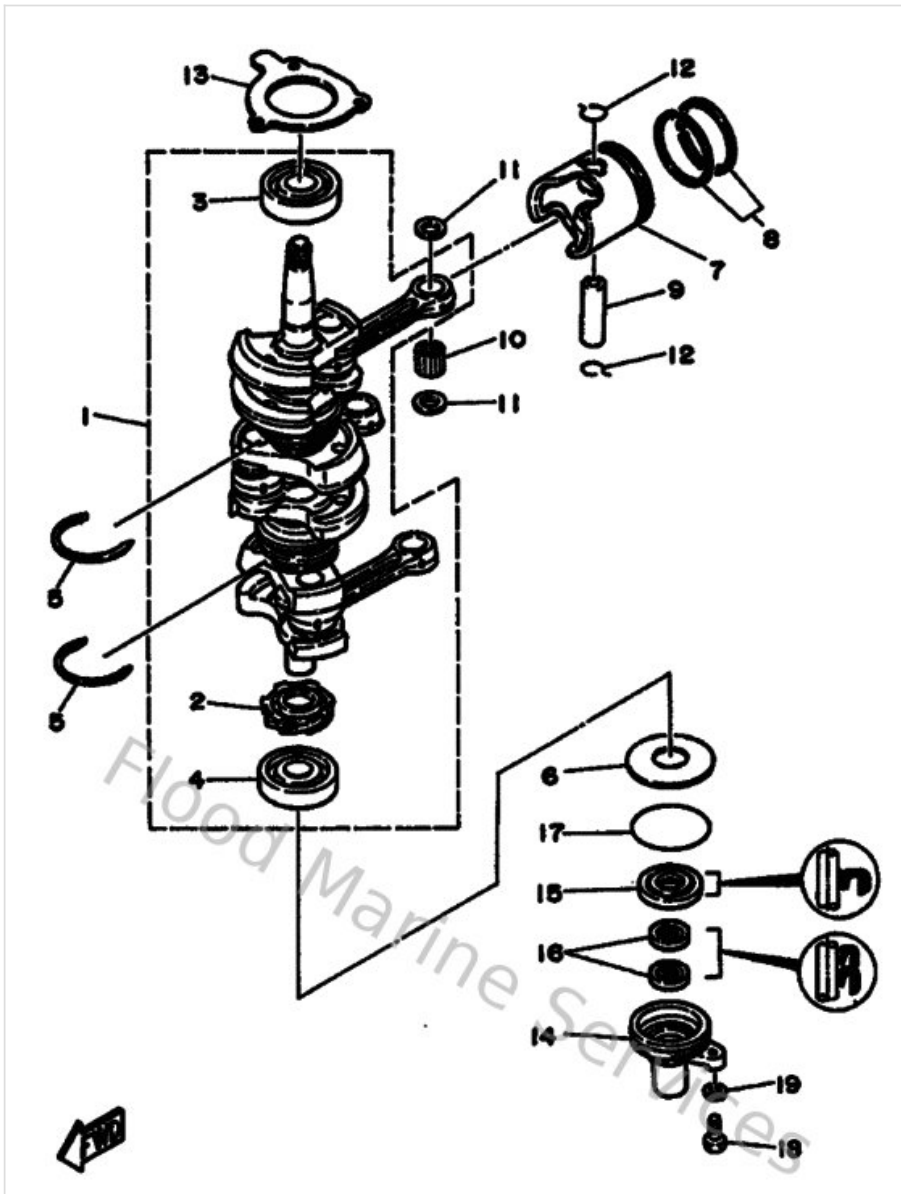


# Crankshaft & Piston



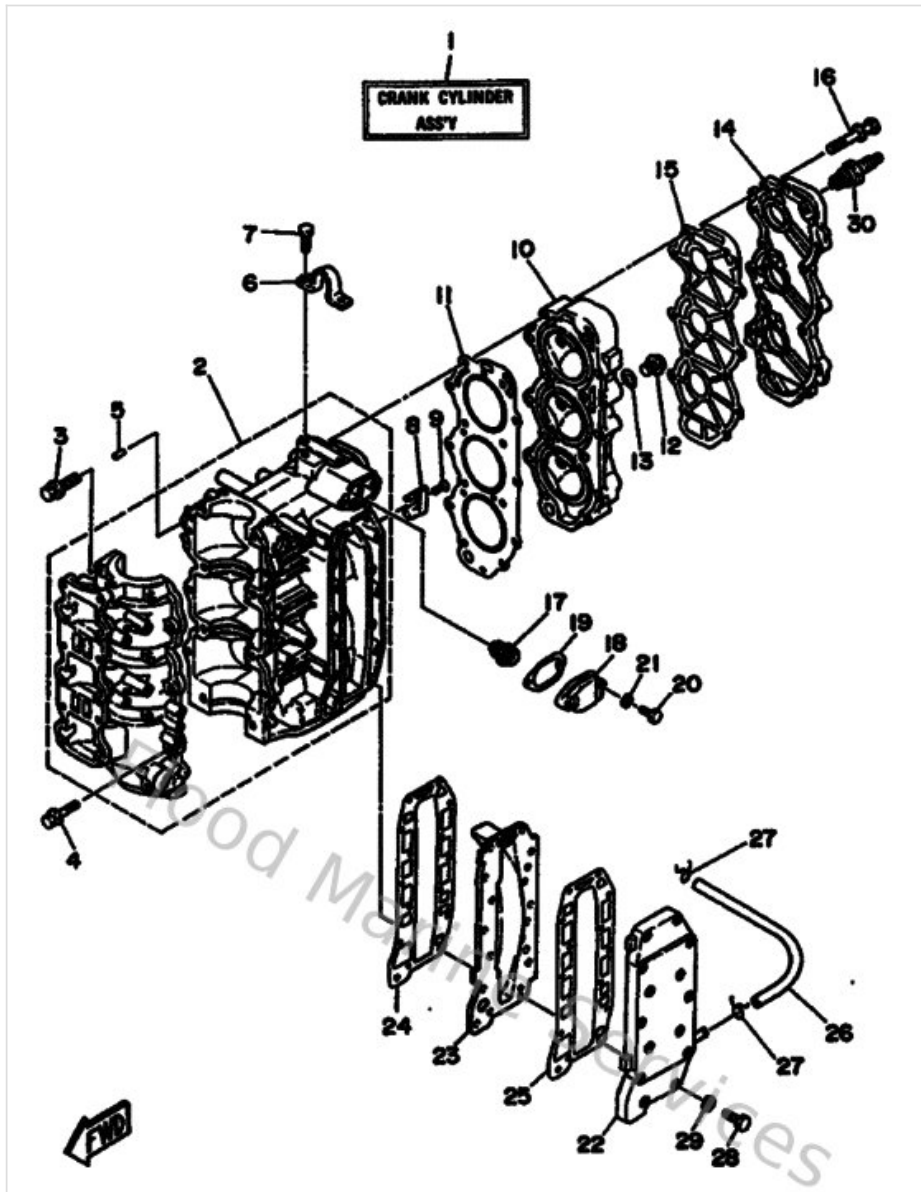
Ref	Part	
1	<a href="#">6H4114001400</a> Crankshaft assembly	<a href="#">Buy now</a>
2	<a href="#">6H4115360000</a> Gear, drive	<a href="#">Buy now</a>
3	<a href="#">93306305U800</a> Bearing(6h4)	<a href="#">Buy now</a>
5	<a href="#">934406205700</a> Cir clip (656)	<a href="#">Buy now</a>
6	<a href="#">902015030600</a> Washer plate 648115870000	<a href="#">Buy now</a>
7	<a href="#">6H4116360100</a> Piston (0.50mm o/s)	<a href="#">Buy now</a>
8	<a href="#">6H4116010000</a> Piston ring set (std)	<a href="#">Buy now</a>
9	<a href="#">648116330000</a> Pin,piston	<a href="#">Buy now</a>
10	<a href="#">9360220M0200</a> Pin, dowel b (664)	<a href="#">Buy now</a>
13	<a href="#">6H415369A100</a> Gasket, oil seal housing	<a href="#">Buy now</a>
14	<a href="#">6H415396025B</a> Housing, oil seal	<a href="#">Buy now</a>
15	<a href="#">9310225M2800</a> Oil seal(6h4)	<a href="#">Buy now</a>
16	<a href="#">9310116M3600</a> Oil seal(6a8)	<a href="#">Buy now</a>
17	<a href="#">9321057M0900</a> O-ring (683)	<a href="#">Buy now</a>
18	<a href="#">973130602000</a> Bolt(7u8)	<a href="#">Buy now</a>

# Crankshaft & Piston



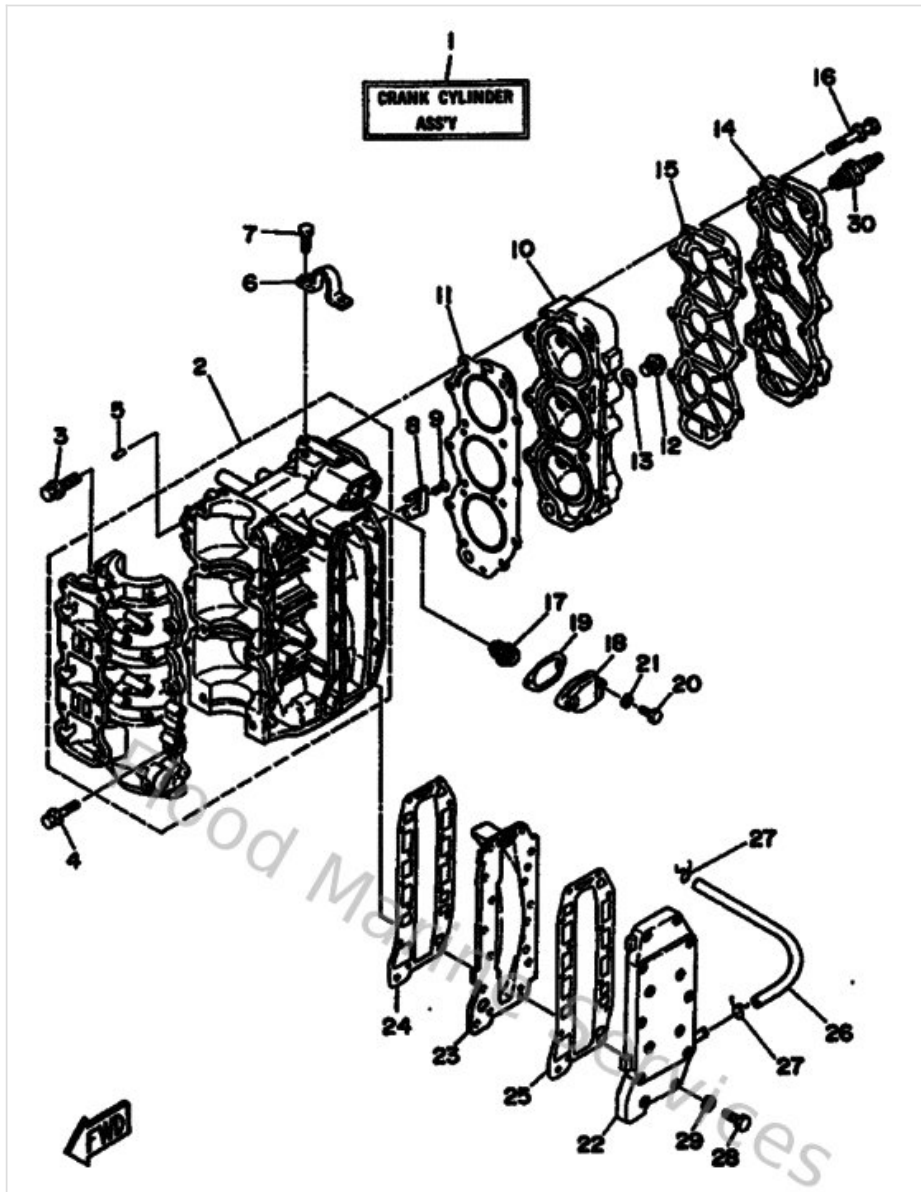
Ref	Part	
19	<a href="#">929900660000</a> Washer, plain (646)	<a href="#">Buy now</a>

# Cylinder & Crankcase



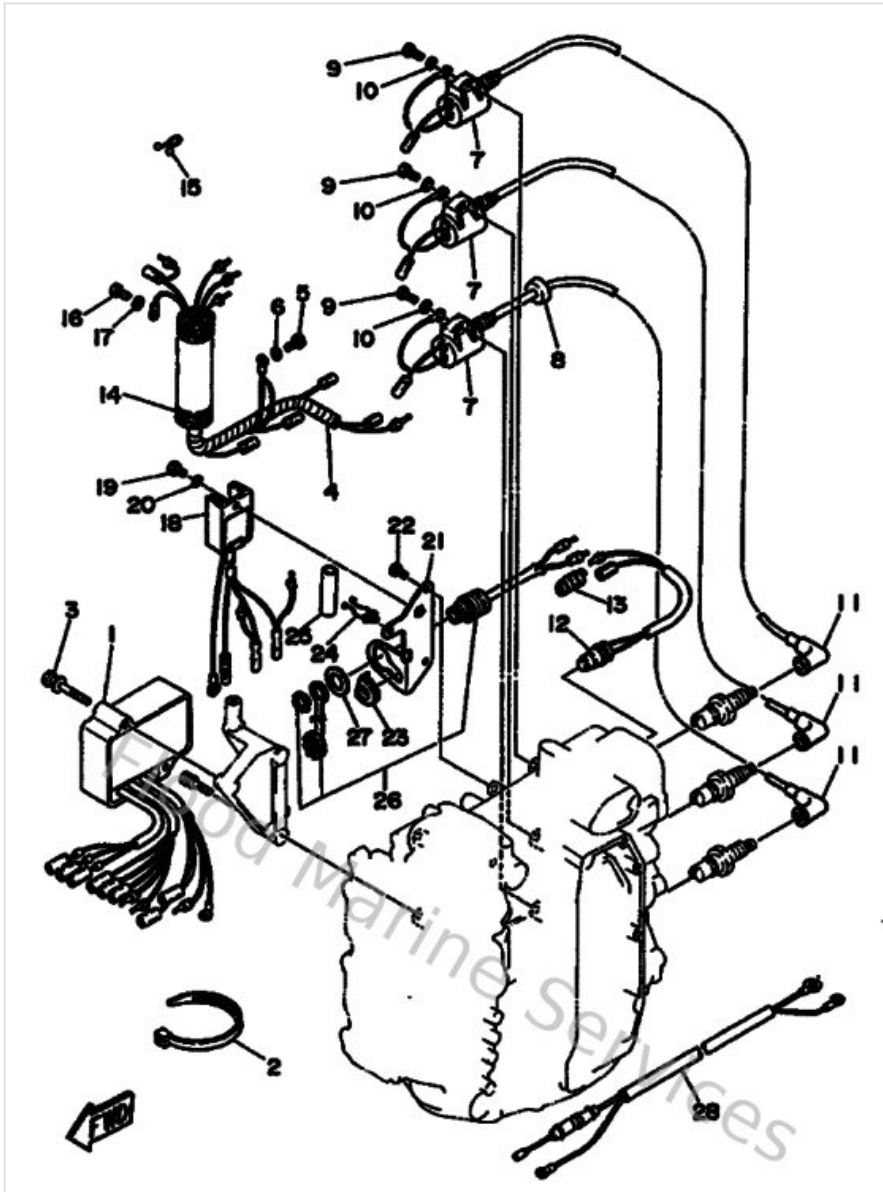
Ref	Part	
1	<a href="#">6H4W009041E</a> Crank Cylinder assembly	<a href="#">Buy now</a>
2	<a href="#">6H4151001194</a> Crankcase assembly	<a href="#">Buy now</a>
3	<a href="#">901190801900</a> Bolt, with washer	<a href="#">Buy now</a>
4	<a href="#">9011906M1300</a> Bolt, with washer (682)	<a href="#">Buy now</a>
5	<a href="#">936061201900</a> Pin, dowel (614)	<a href="#">Buy now</a>
6	<a href="#">6H4111190000</a> Hanger, engine	<a href="#">Buy now</a>
7	<a href="#">970950601400</a> Bolt(gj3)	<a href="#">Buy now</a>
8	<a href="#">688113250000</a> Anode	<a href="#">Buy now</a>
9	<a href="#">986800401600</a> Screw, flat head(ga5)	<a href="#">Buy now</a>
10	<a href="#">6H4111110094</a> Head, Cylinder 1	<a href="#">Buy now</a>
11	<a href="#">6H411181A200</a> Gasket, cylinder head 1	<a href="#">Buy now</a>
12	<a href="#">9034014M0000</a> Plug, straight screw(62y)	<a href="#">Buy now</a>
13	<a href="#">904301411500</a> Gasket (663)	<a href="#">Buy now</a>
14	<a href="#">6H411191009M</a> Cover, Cylinder Head 1	<a href="#">Buy now</a>
15	<a href="#">6H411193A100</a> Gasket, head cover 1	<a href="#">Buy now</a>

# Cylinder & Crankcase



Ref	Part	
16	<a href="#">9011908M2900</a> Bolt, with washer	<a href="#">Buy now</a>
17	<a href="#">6E5124112000</a> Thermostat	<a href="#">Buy now</a>
18	<a href="#">6H412413009M</a> Cover, thermostat	<a href="#">Buy now</a>
19	<a href="#">61A12414A000</a> Gasket, cover	<a href="#">Buy now</a>
20	<a href="#">973130602500</a> Bolt	<a href="#">Buy now</a>
21	<a href="#">929900660000</a> Washer, plain (646)	<a href="#">Buy now</a>
22	<a href="#">6H441113001S</a> Outer cover, exhaust	<a href="#">Buy now</a>
24	<a href="#">6H441112A000</a> Gasket, exhaust inner cover	<a href="#">Buy now</a>
25	<a href="#">6H441114A000</a> Gasket, exhaust outer cover	<a href="#">Buy now</a>
26	<a href="#">9044509M3700</a> Hose (I1500)	<a href="#">Buy now</a>
27	<a href="#">904670800400</a> Clip, pipe 6162435600	<a href="#">Buy now</a>
28	<a href="#">970130603500</a> Bolt(3rv)	<a href="#">Buy now</a>
30	<a href="#">947020024700</a> Plug, spark (br8hs-10)	<a href="#">Buy now</a>

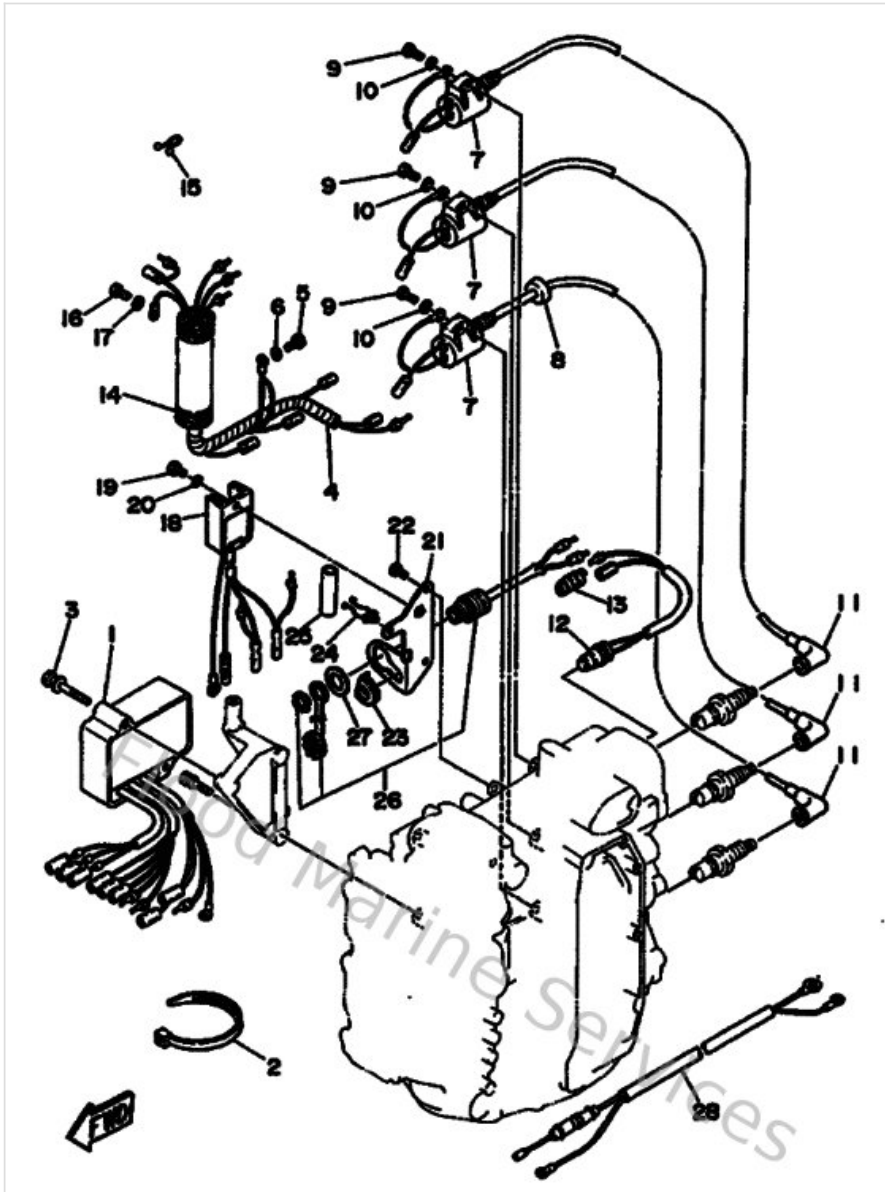
# Electrical



Ref	Part	
1	<a href="#">6H5855400100</a> C.d.i. Unit assembly	<a href="#">Buy now</a>
2	<a href="#">9046513M3600</a> Clamp(6h4)	<a href="#">Buy now</a>
3	<a href="#">9011906M5100</a> Bolt, with washer(6h4)	<a href="#">Buy now</a>
5	<a href="#">973950601400</a> Bolt(gj3)	<a href="#">Buy now</a>
6	<a href="#">929900660000</a> Washer, plain (646)	<a href="#">Buy now</a>
7	<a href="#">6H5855700000</a> Ignition coil assembly	<a href="#">Buy now</a>
8	<a href="#">904802516100</a> Grommet(656)	<a href="#">Buy now</a>
9	<a href="#">973950602000</a> Bolt(7u8)	<a href="#">Buy now</a>
11	<a href="#">6G1823702000</a> Plug cap assembly	<a href="#">Buy now</a>
12	<a href="#">689825600000</a> Thermo switch assembly	<a href="#">Buy now</a>
13	<a href="#">9044610M0200</a> Tube (6e5)	<a href="#">Buy now</a>
14	<a href="#">6G1835570000</a> Tube	<a href="#">Buy now</a>
15	<a href="#">9046405M1600</a> Clamp(6j8)	<a href="#">Buy now</a>
16	<a href="#">973130601400</a> Bolt(gj3)	<a href="#">Buy now</a>
18	<a href="#">6J8819600000</a> Rectifier & regulator assembly	<a href="#">Buy now</a>

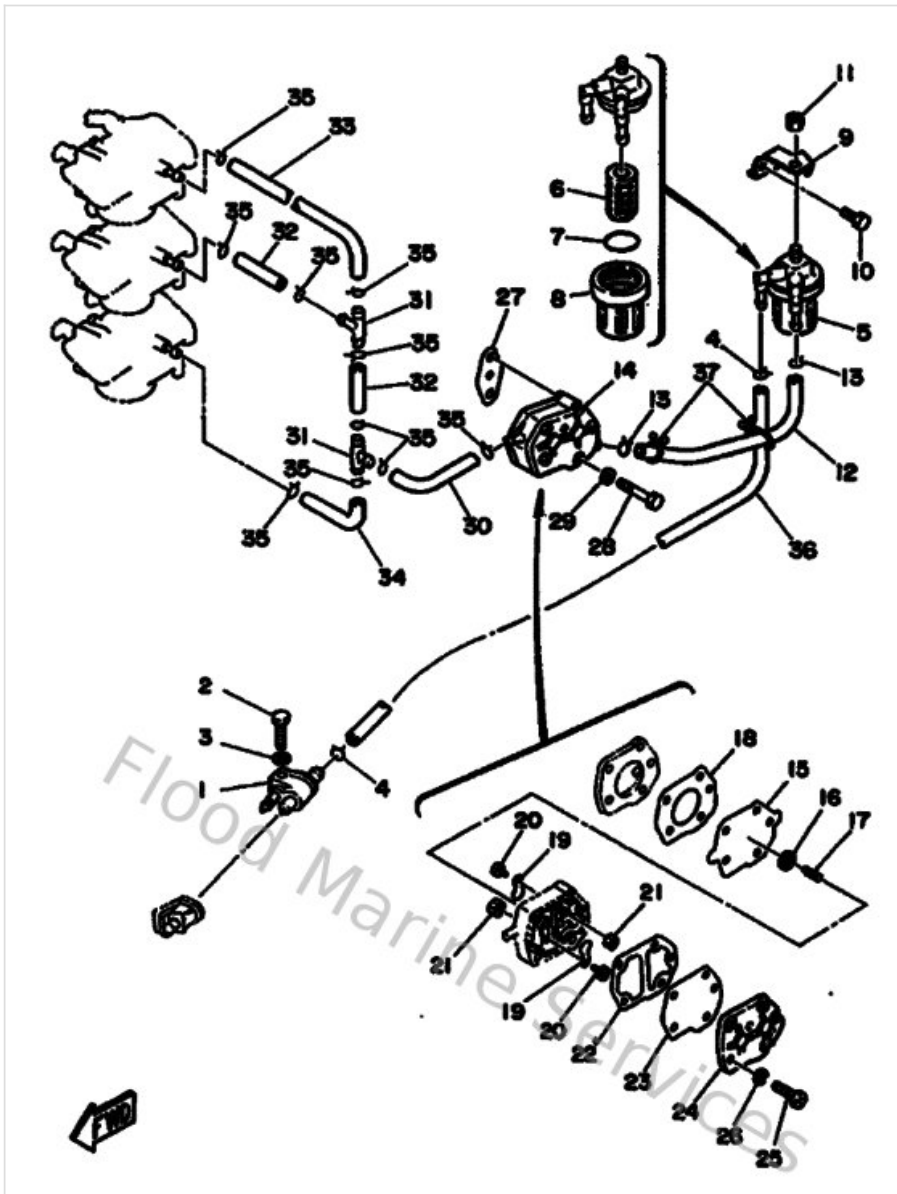


# Electrical



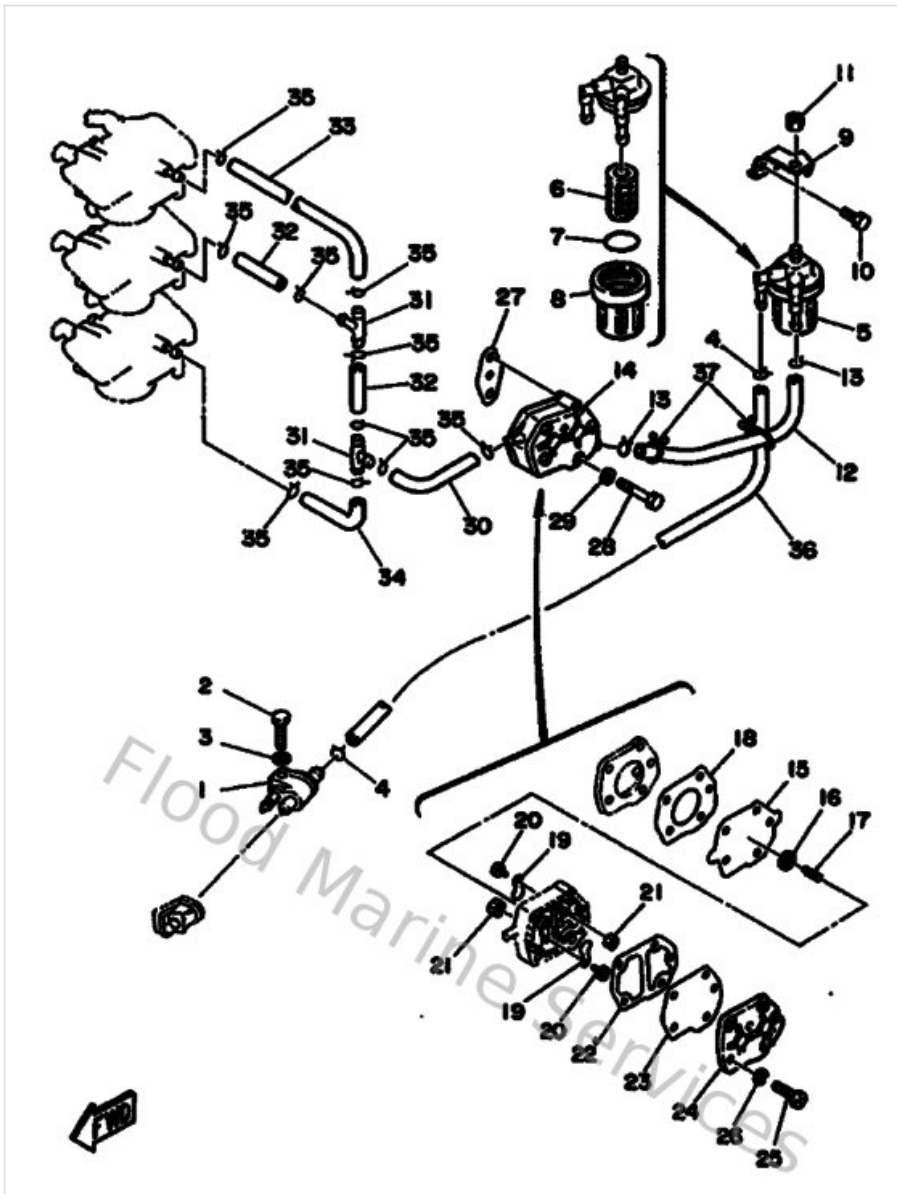
Ref	Part	
19	<a href="#">973950601200</a> Bolt(gh1)	<a href="#">Buy now</a>
21	<a href="#">6H4819750200</a> Plate, rectifier fitting	<a href="#">Buy now</a>
22	<a href="#">973030601200</a> Bolt(gh1)	<a href="#">Buy now</a>
23	<a href="#">6F5819220000</a> Grommet 1	<a href="#">Buy now</a>
24	<a href="#">9046412M3500</a> Clamp(6h4)	<a href="#">Buy now</a>
25	<a href="#">9044014M0000</a> Pipe(6h4)	<a href="#">Buy now</a>
26	<a href="#">682843810000</a> 2p concent 1	<a href="#">Buy now</a>
27	<a href="#">9020226M4500</a> Washer, plate(6h4)	<a href="#">Buy now</a>
28	<a href="#">6J8821051000</a> Battery cable	<a href="#">Buy now</a>

# Fuel



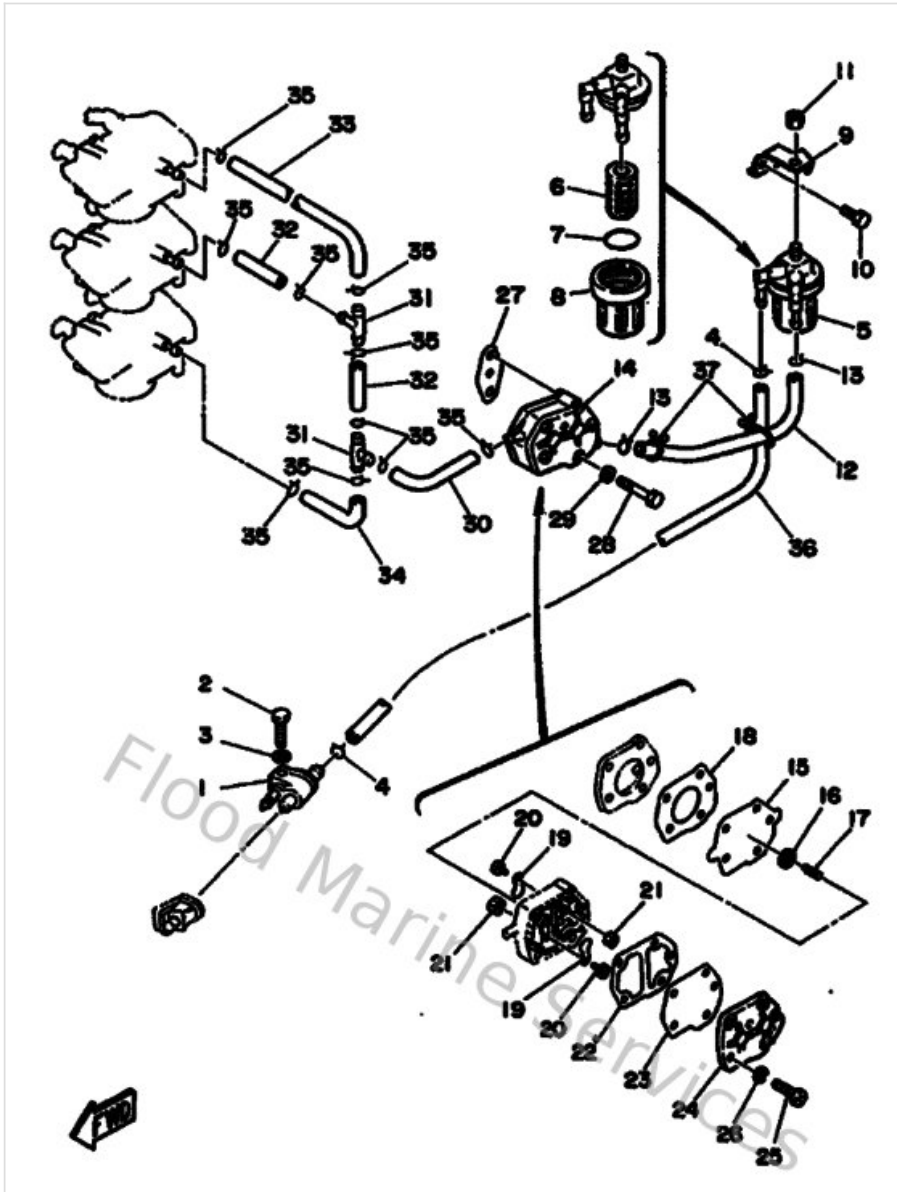
Ref	Part	
1	<a href="#">6G1243040200</a> Fuel pipe joint comp. 1	<a href="#">Buy now</a>
2	<a href="#">973950602500</a> Bolt	<a href="#">Buy now</a>
3	<a href="#">929900660000</a> Washer, plain (646)	<a href="#">Buy now</a>
4	<a href="#">904670800400</a> Clip, pipe 6162435600	<a href="#">Buy now</a>
5	<a href="#">61N245601000</a> Filter assembly	<a href="#">Buy now</a>
6	<a href="#">6F5245630000</a> Element, filter	<a href="#">Buy now</a>
7	<a href="#">9321037M2500</a> O-ring (655)	<a href="#">Buy now</a>
9	<a href="#">6H4245660100</a> Bracket, filter	<a href="#">Buy now</a>
10	<a href="#">970800601200</a> Bolt(gh1)	<a href="#">Buy now</a>
11	<a href="#">953800860000</a> Nut (661)	<a href="#">Buy now</a>
12	<a href="#">6H4243140000</a> Pipe 4	<a href="#">Buy now</a>
14	<a href="#">692244100000</a> Fuel pump assembly	<a href="#">Buy now</a>
15	<a href="#">648244110000</a> Diaphragm	<a href="#">Buy now</a>
16	<a href="#">648244240000</a> Seat,spring	<a href="#">Buy now</a>
17	<a href="#">648244230000</a> Spring,diaphragm	<a href="#">Buy now</a>

# Fuel



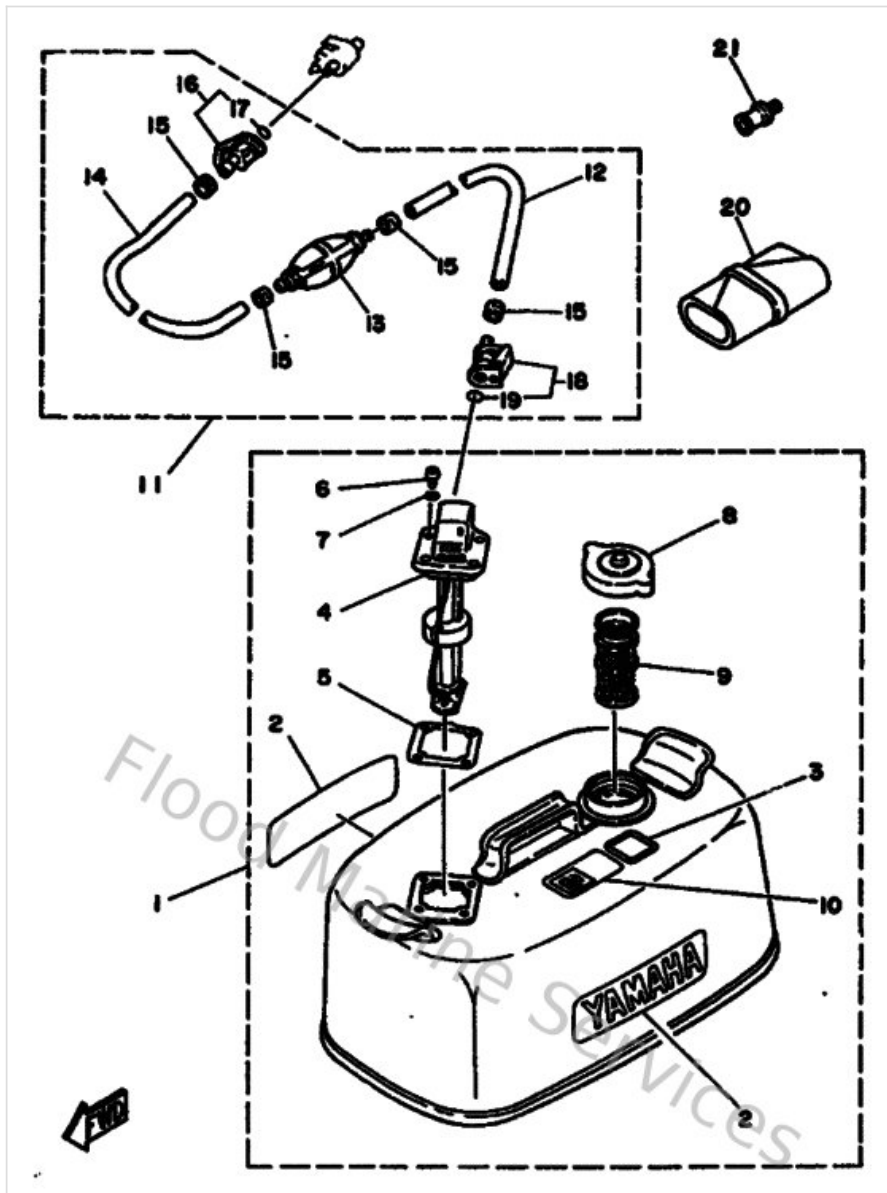
Ref	Part	
18	<a href="#">648244340100</a> Gasket, body	<a href="#">Buy now</a>
19	<a href="#">62Y244210100</a> Valve, check	<a href="#">Buy now</a>
20	<a href="#">6A0143250000</a> Screw, pan head	<a href="#">Buy now</a>
21	<a href="#">953800360000</a> Nut (6g8)	<a href="#">Buy now</a>
22	<a href="#">648244350200</a> Gasket, body 2	<a href="#">Buy now</a>
23	<a href="#">663244110000</a> Diaphragm	<a href="#">Buy now</a>
24	<a href="#">648244130100</a> Cover, pump	<a href="#">Buy now</a>
25	<a href="#">985800553000</a> Ybs86-530 screw,panhead	<a href="#">Buy now</a>
26	<a href="#">929900510000</a> Ybs67-5 washer, spring	<a href="#">Buy now</a>
27	<a href="#">65024431A000</a> Gasket,fuel pump	<a href="#">Buy now</a>
28	<a href="#">973950604000</a> Bolt (682)	<a href="#">Buy now</a>
30	<a href="#">90445092K100</a> Hose (l420)	<a href="#">Buy now</a>
31	<a href="#">688243780000</a> Pipe, joint	<a href="#">Buy now</a>
32	<a href="#">904450905700</a> Hose (l180)	<a href="#">Buy now</a>
33	<a href="#">6H4243130000</a> Pipe 3	<a href="#">Buy now</a>

# Fuel



Ref	Part	
34	<a href="#">6A4243120000</a> Pipe, fuel 2	<a href="#">Buy now</a>
36	<a href="#">6H4243110000</a> Pipe 1	<a href="#">Buy now</a>
37	<a href="#">904641603900</a> Clamp (3y2)	<a href="#">Buy now</a>

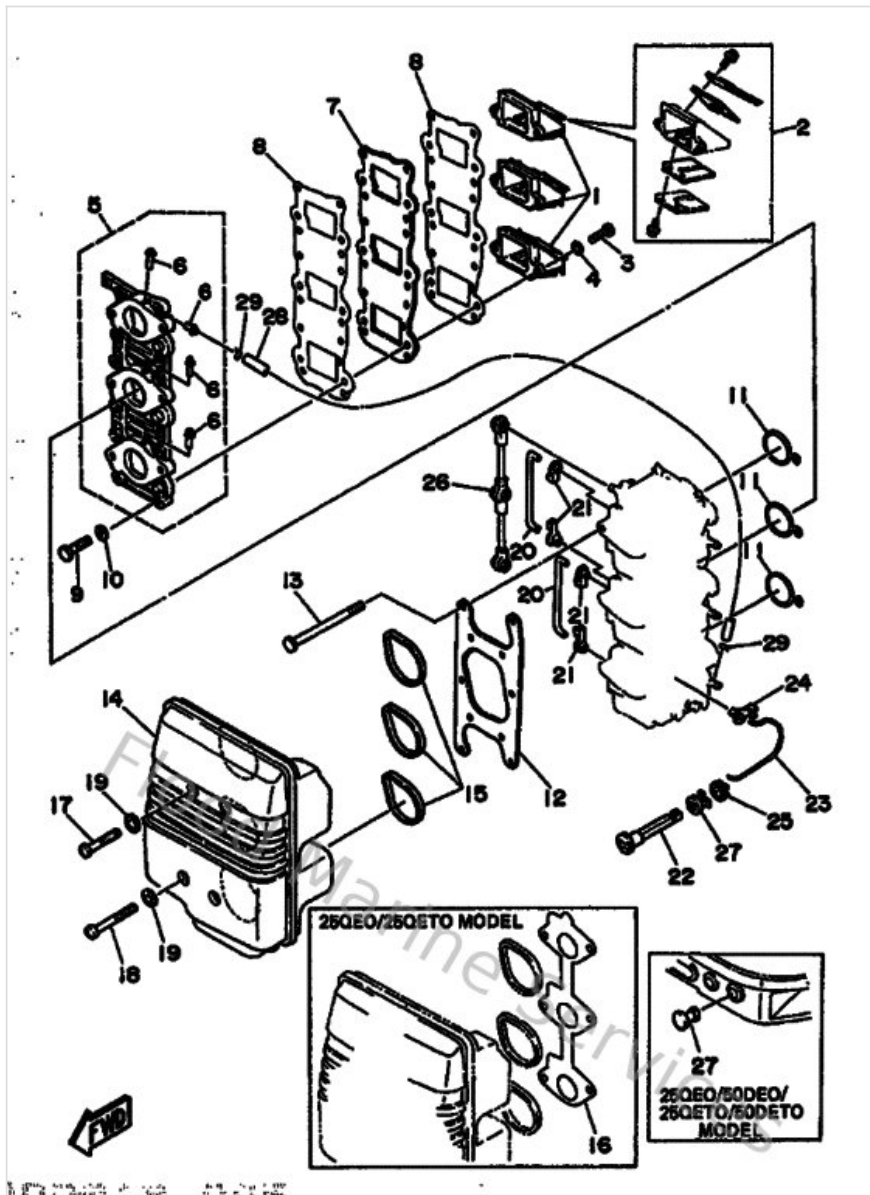
## Fuel 2



Ref	Part	
4	<a href="#">6Y1242600200</a> Fuel meter assembly	<a href="#">Buy now</a>
5	<a href="#">6Y1242680000</a> Gasket, fuel meter	<a href="#">Buy now</a>
7	<a href="#">6Y1243290000</a> Seal	<a href="#">Buy now</a>
8	<a href="#">6Y1246100000</a> Cap assembly	<a href="#">Buy now</a>
9	<a href="#">6Y1241670000</a> Strainer	<a href="#">Buy now</a>
11	<a href="#">6YL243066400</a> Fuel pipe comp. 1	<a href="#">Buy now</a>
12	<a href="#">9044511M0600</a> Hose (I3000)	<a href="#">Buy now</a>
13	<a href="#">6Y1243600200</a> Primer pump assembly	<a href="#">Buy now</a>
14	<a href="#">9044511M7800</a> Hose (I1000)	<a href="#">Buy now</a>
15	<a href="#">650243515100</a> Band 1	<a href="#">Buy now</a>
16	<a href="#">6G1243050000</a> Fuel pipe joint comp. 2	<a href="#">Buy now</a>
17	<a href="#">932100828700</a> O-ring (655)	<a href="#">Buy now</a>
18	<a href="#">6Y1243050600</a> Fuel pipe joint comp. 2	<a href="#">Buy now</a>
20	<a href="#">656W28100100</a> Tool kit	<a href="#">Buy now</a>
21	<a href="#">6E0281930094</a> Plug, water check	<a href="#">Buy now</a>

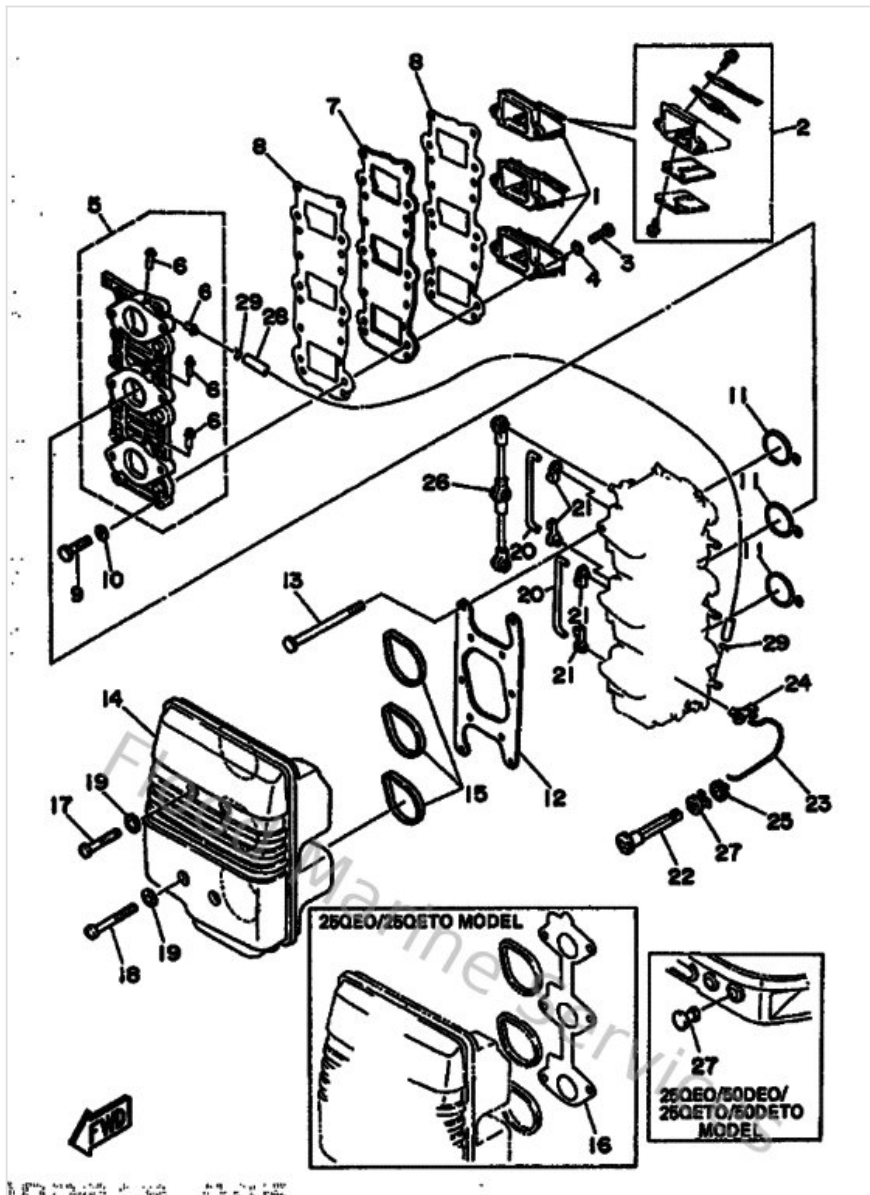


# Intake



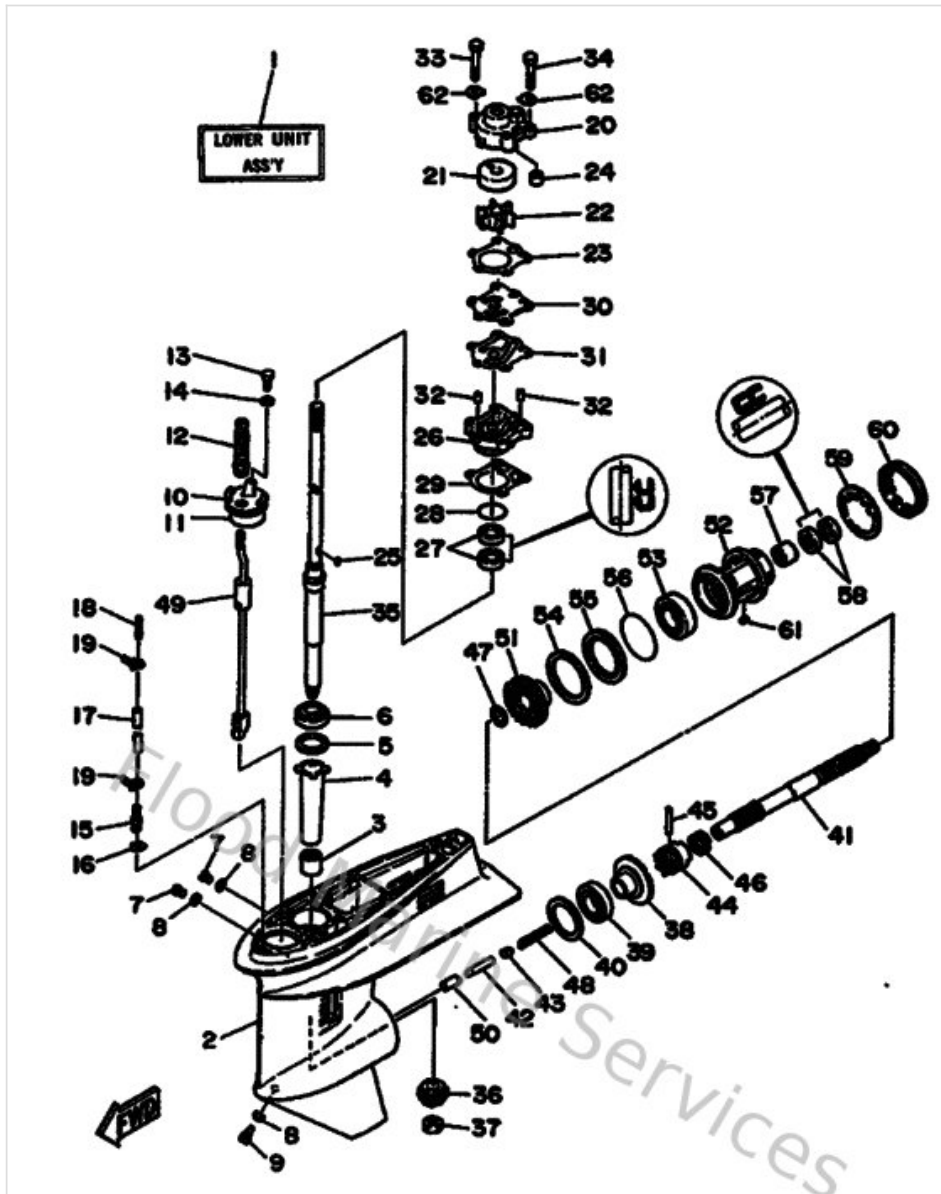
Ref	Part	
1	<a href="#">6H5136100000</a> Reed valve assembly	<a href="#">Buy now</a>
2	<a href="#">6H4W00040000</a> Reed set	<a href="#">Buy now</a>
3	<a href="#">985800501600</a> Screw, pan head(6b0)	<a href="#">Buy now</a>
4	<a href="#">929900560000</a> Washer, plain (646)	<a href="#">Buy now</a>
5	<a href="#">6H4136411294</a> Manifold 1	<a href="#">Buy now</a>
6	<a href="#">6H1144850000</a> Pipe, joint	<a href="#">Buy now</a>
7	<a href="#">6H4136240100</a> Plate, reed valve	<a href="#">Buy now</a>
8	<a href="#">6H413621A100</a> Gasket, valve seat	<a href="#">Buy now</a>
9	<a href="#">973130602000</a> Bolt(7u8)	<a href="#">Buy now</a>
10	<a href="#">929900660000</a> Washer, plain (646)	<a href="#">Buy now</a>
11	<a href="#">6H4141980100</a> Gasket	<a href="#">Buy now</a>
12	<a href="#">6H4144060000</a> Hinge	<a href="#">Buy now</a>
13	<a href="#">973130609500</a> Bolt, hexagon deep recess	<a href="#">Buy now</a>
14	<a href="#">6H4144310200</a> Silencer, intake 1	<a href="#">Buy now</a>
15	<a href="#">6H3144570100</a> Seal	<a href="#">Buy now</a>

# Intake



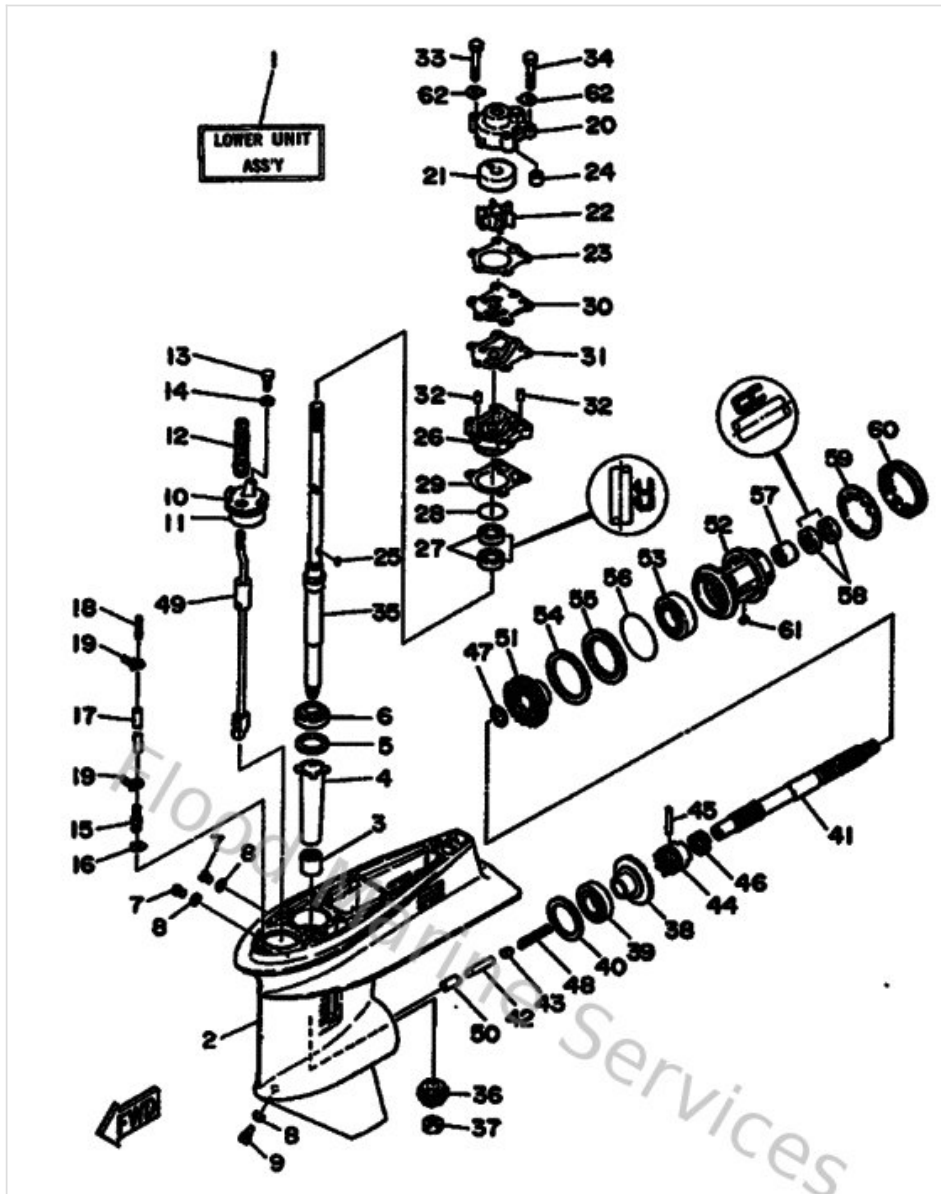
Ref	Part	
17	<a href="#">978950604000</a> Screw pan head	<a href="#">Buy now</a>
18	<a href="#">978950605500</a> Screw, panhed (gc2)	<a href="#">Buy now</a>
19	<a href="#">9020906M0500</a> Washer (688)	<a href="#">Buy now</a>
20	<a href="#">6H4412570000</a> Rod, choke link 2	<a href="#">Buy now</a>
21	<a href="#">661412620200</a> Joint, choke lever	<a href="#">Buy now</a>
23	<a href="#">6H4412590100</a> Rod, choke 3	<a href="#">Buy now</a>
24	<a href="#">6J8412620000</a> Joint, choke lever	<a href="#">Buy now</a>
25	<a href="#">6J8412740000</a> Grommet 2	<a href="#">Buy now</a>
26	<a href="#">6H4412170100</a> Rod, accel. lever	<a href="#">Buy now</a>
27	<a href="#">689412730000</a> Grommet	<a href="#">Buy now</a>
28	<a href="#">9044507M2400</a> Hose (I390)	<a href="#">Buy now</a>
29	<a href="#">904670601600</a> Clip (655)	<a href="#">Buy now</a>

# Lower Casing & Drive 1



Ref	Part	
3	<a href="#">933153222400</a> Brg,cyl-cal roller 42.2g nk	<a href="#">Buy now</a>
4	<a href="#">6H4455360000</a> Sleeve, drive shaft	<a href="#">Buy now</a>
5	<a href="#">663455876000</a> Shim (t:0.50mm)	<a href="#">Buy now</a>
6	<a href="#">933320000100</a> Brg, tapered roller (409)	<a href="#">Buy now</a>
7	<a href="#">9034008M0400</a> Plug, straight screw	<a href="#">Buy now</a>
8	<a href="#">904300802000</a> Gasket	<a href="#">Buy now</a>
9	<a href="#">688453410000</a> Plug, drain	<a href="#">Buy now</a>
10	<a href="#">6H4453210100</a> Plate	<a href="#">Buy now</a>
11	<a href="#">932104904600</a> O-ring (620)	<a href="#">Buy now</a>
12	<a href="#">6G1441470000</a> Boot, shift rod	<a href="#">Buy now</a>
13	<a href="#">973950601600</a> Bolt, hexagon deep recess	<a href="#">Buy now</a>
14	<a href="#">929900660000</a> Washer, plain (646)	<a href="#">Buy now</a>
15	<a href="#">6H4453780000</a> Nipple, Hose	<a href="#">Buy now</a>
16	<a href="#">9020910M1400</a> Washer	<a href="#">Buy now</a>
17	<a href="#">9044507ME900</a> Hose (I250)	<a href="#">Buy now</a>

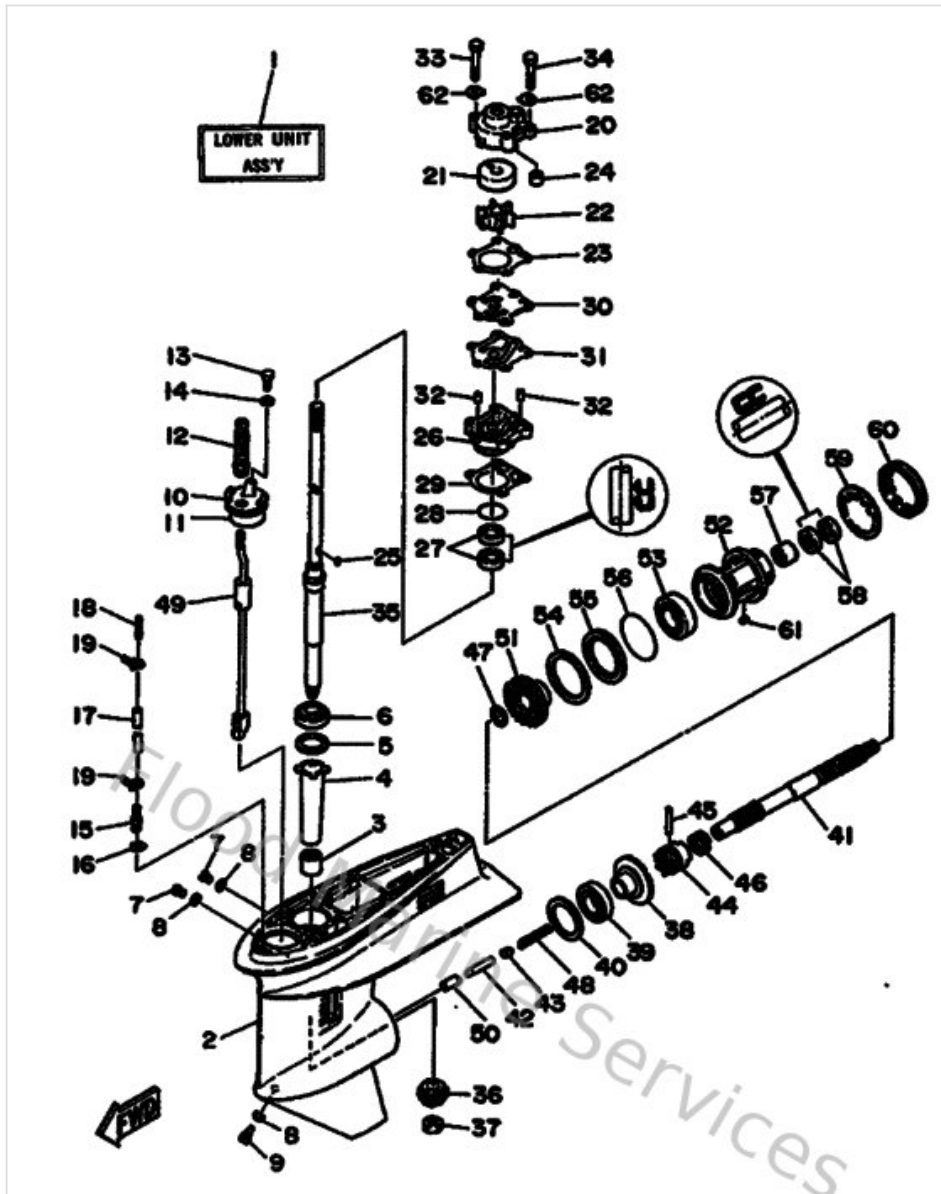
# Lower Casing & Drive 1



Ref	Part	
18	<a href="#">6E5835581000</a> End, nipple	<a href="#">Buy now</a>
19	<a href="#">9046511M1000</a> Clamp	<a href="#">Buy now</a>
20	<a href="#">6J8443110000</a> Housing, water pump	<a href="#">Buy now</a>
21	<a href="#">663443220000</a> Insert, cartridge	<a href="#">Buy now</a>
22	<a href="#">6H4443520200</a> Impeller	<a href="#">Buy now</a>
23	<a href="#">66344315A000</a> Gasket,water pump 1	<a href="#">Buy now</a>
24	<a href="#">663443660000</a> Damper, water seal 2	<a href="#">Buy now</a>
25	<a href="#">902800302400</a> Key, woodruff(662)	<a href="#">Buy now</a>
26	<a href="#">663443410094</a> Housing, water pump	<a href="#">Buy now</a>
27	<a href="#">931012307000</a> Oil seal (663)	<a href="#">Buy now</a>
28	<a href="#">932104104200</a> O-ring (132)	<a href="#">Buy now</a>
29	<a href="#">66344316A000</a> Gasket,water pump 2	<a href="#">Buy now</a>
30	<a href="#">663443230000</a> Outer plate, cartridge	<a href="#">Buy now</a>
31	<a href="#">66344324A000</a> Gasket,cartridge outer plate	<a href="#">Buy now</a>
32	<a href="#">936040806200</a> Pin,dowel (626)	<a href="#">Buy now</a>



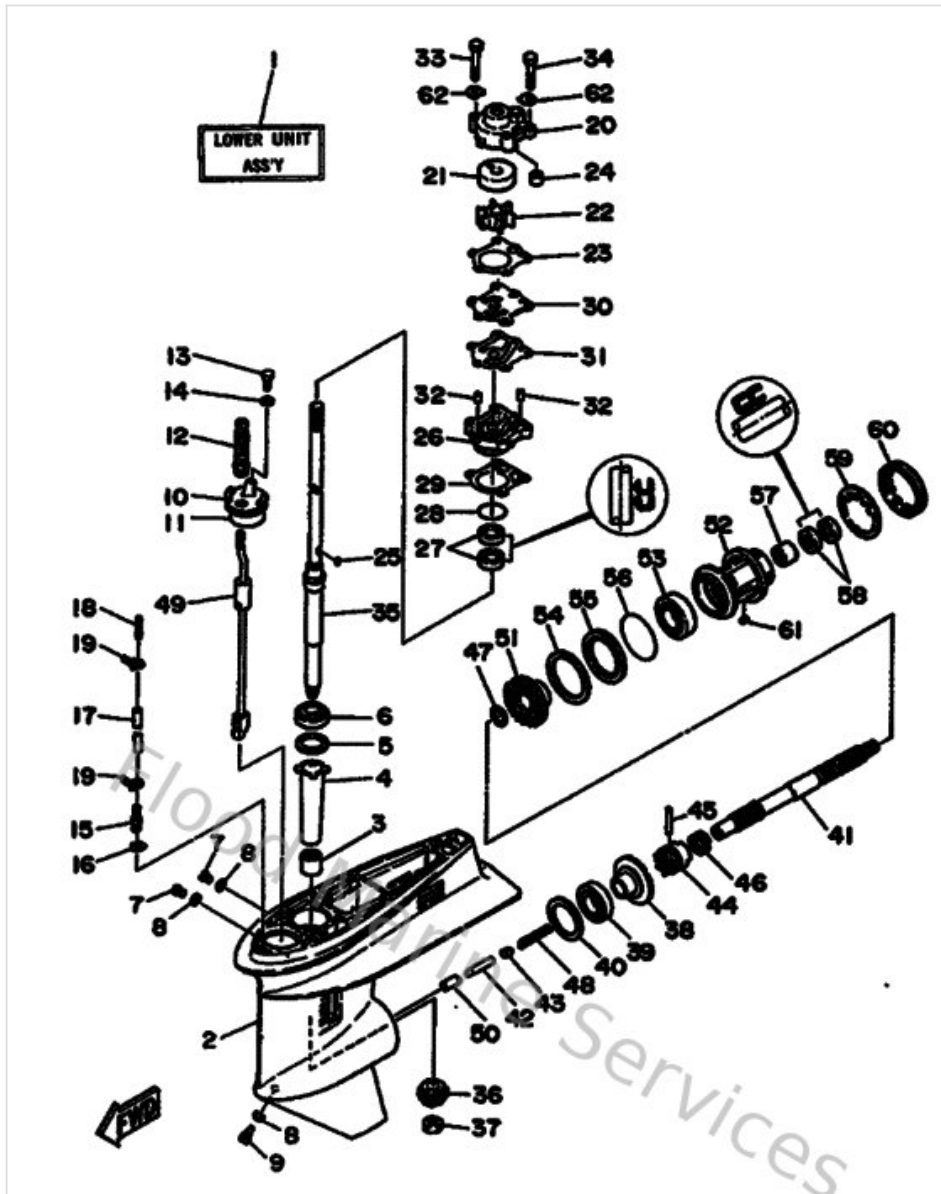
# Lower Casing & Drive 1



Ref	Part	
33	<a href="#">973950805500</a> Bolt, hexagon	<a href="#">Buy now</a>
34	<a href="#">970950804500</a> Bolt, hexagon	<a href="#">Buy now</a>
36	<a href="#">6H4455510000</a> Pinion	<a href="#">Buy now</a>
37	<a href="#">901701213800</a> Nut hexagon(663)	<a href="#">Buy now</a>
38	<a href="#">6H4455600000</a> Gear	<a href="#">Buy now</a>
40	<a href="#">6H4455670150</a> Shim (T:0.50Mm)	<a href="#">Buy now</a>
41	<a href="#">679456110100</a> Shaft, propeller	<a href="#">Buy now</a>
42	<a href="#">676456350000</a> Plunger, shift	<a href="#">Buy now</a>
43	<a href="#">663456340000</a> Slide, shift	<a href="#">Buy now</a>
44	<a href="#">663456310100</a> Clutch, dog	<a href="#">Buy now</a>
45	<a href="#">902500602300</a> Pin, strait (663)	<a href="#">Buy now</a>
46	<a href="#">663456330000</a> Ring, cross pin	<a href="#">Buy now</a>
47	<a href="#">902012242900</a> Washer, plate(663)	<a href="#">Buy now</a>
48	<a href="#">9050116M0100</a> Spring compression	<a href="#">Buy now</a>
49	<a href="#">6H4441500100</a> Shift Cam Assembly	<a href="#">Buy now</a>

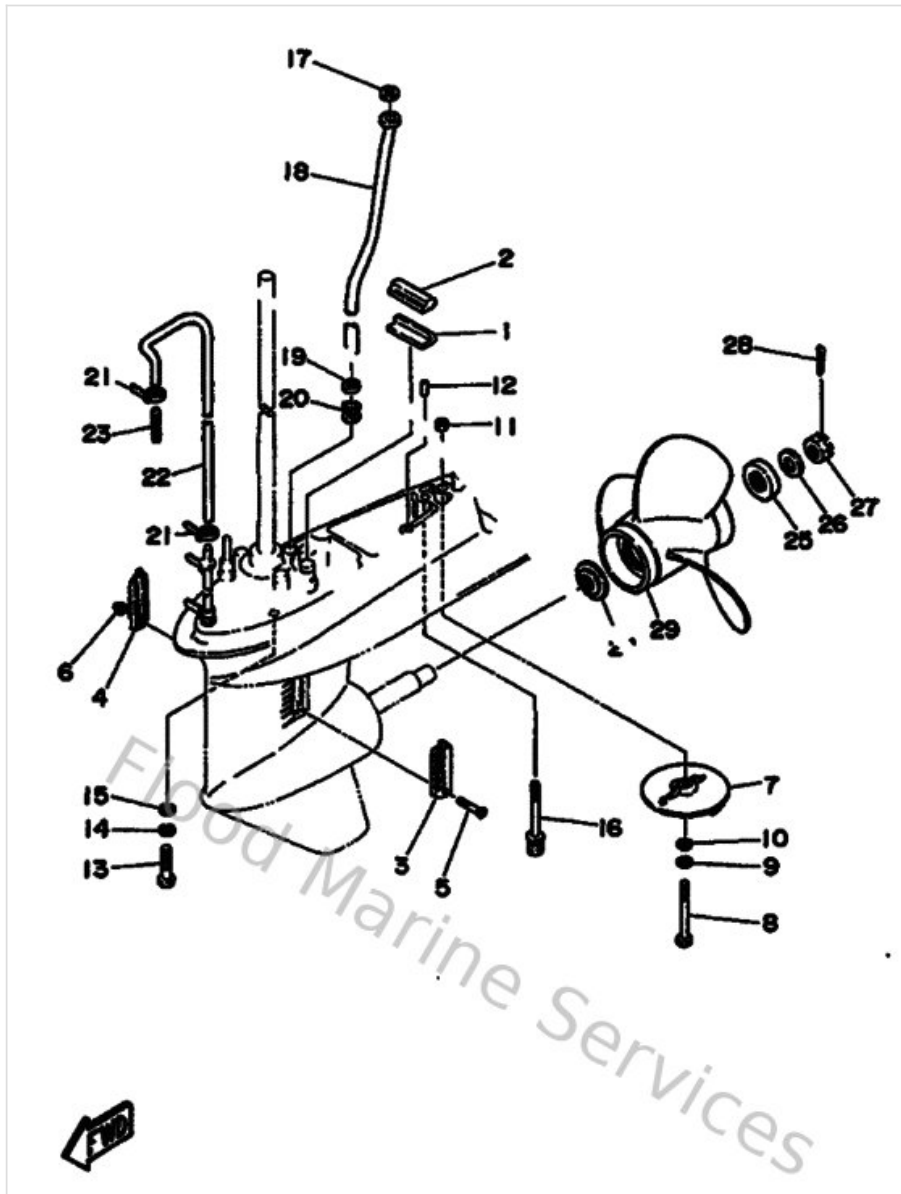


# Lower Casing & Drive 1



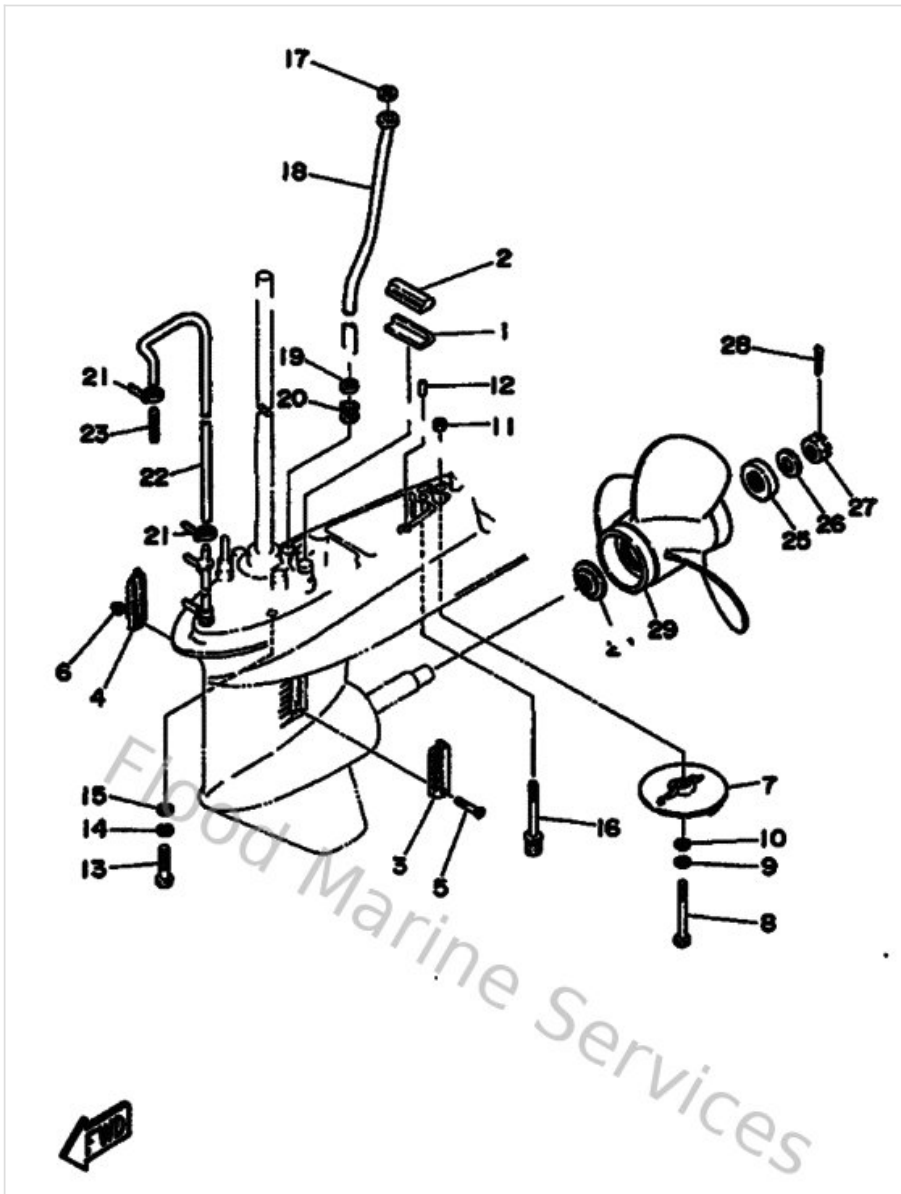
Ref	Part	
50	<a href="#">6H444160000</a> Detent Comp	<a href="#">Buy now</a>
51	<a href="#">6H445571000</a> Gear	<a href="#">Buy now</a>
52	<a href="#">67945331000</a> Housing, bearing	<a href="#">Buy now</a>
53	<a href="#">933060070200</a> Brg,r-b 6007 62mm 150g ky	<a href="#">Buy now</a>
54	<a href="#">663455770130</a> Shim (t:0.30mm)	<a href="#">Buy now</a>
55	<a href="#">663455760000</a> Washer, thrust 2	<a href="#">Buy now</a>
56	<a href="#">9321066M9800</a> O-ring(6h4)	<a href="#">Buy now</a>
57	<a href="#">933172220400</a> Brg,cyl-cal roller 25.5g nt	<a href="#">Buy now</a>
58	<a href="#">931012206700</a> Oil seal (22x36x6-663)	<a href="#">Buy now</a>

## Lower Casing & Drive 2



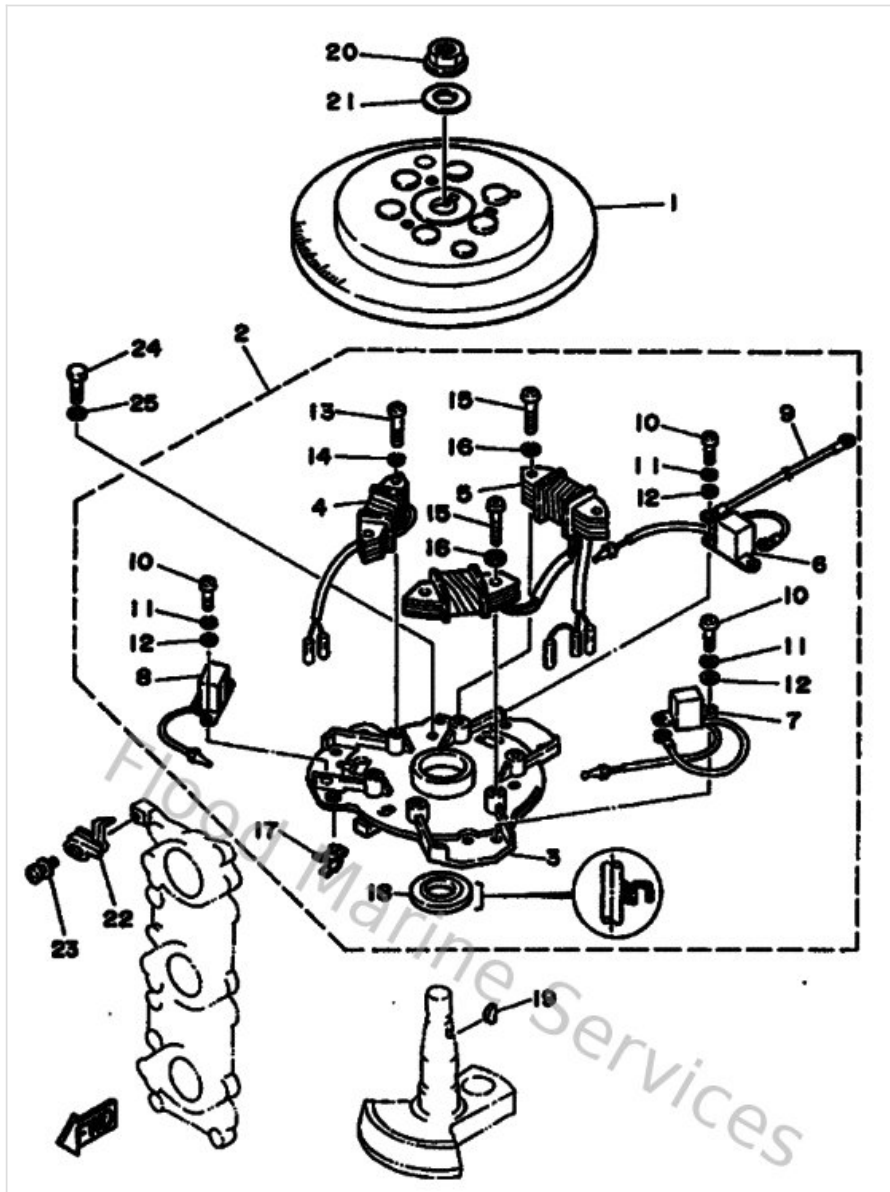
Ref	Part	
11	<a href="#">953800860000</a> Nut (661)	<a href="#">Buy now</a>
12	<a href="#">936061201900</a> Pin, dowel (614)	<a href="#">Buy now</a>
13	<a href="#">970751004000</a> Bolt, hexagon deep recess	<a href="#">Buy now</a>
14	<a href="#">929901010000</a> Ybs67-10 washer, spring	<a href="#">Buy now</a>
15	<a href="#">929901060000</a> Washer, plate	<a href="#">Buy now</a>
16	<a href="#">9011908M9200</a> Bolt, with washer	<a href="#">Buy now</a>
17	<a href="#">902021206000</a> Washer, plate(663)	<a href="#">Buy now</a>
19	<a href="#">904301207200</a> Gasket	<a href="#">Buy now</a>
20	<a href="#">663443670000</a> Damper, water seal 3	<a href="#">Buy now</a>
21	<a href="#">9046511M1000</a> Clamp	<a href="#">Buy now</a>
22	<a href="#">9044507MF100</a> Hose (1570)	<a href="#">Buy now</a>
23	<a href="#">6E5835580000</a> End, nipple	<a href="#">Buy now</a>
24	<a href="#">663459870200</a> Spacer	<a href="#">Buy now</a>
25	<a href="#">670459970200</a> Spacer	<a href="#">Buy now</a>
26	<a href="#">929901620000</a> 958-58204-00 washer,plain	<a href="#">Buy now</a>

## Lower Casing & Drive 2



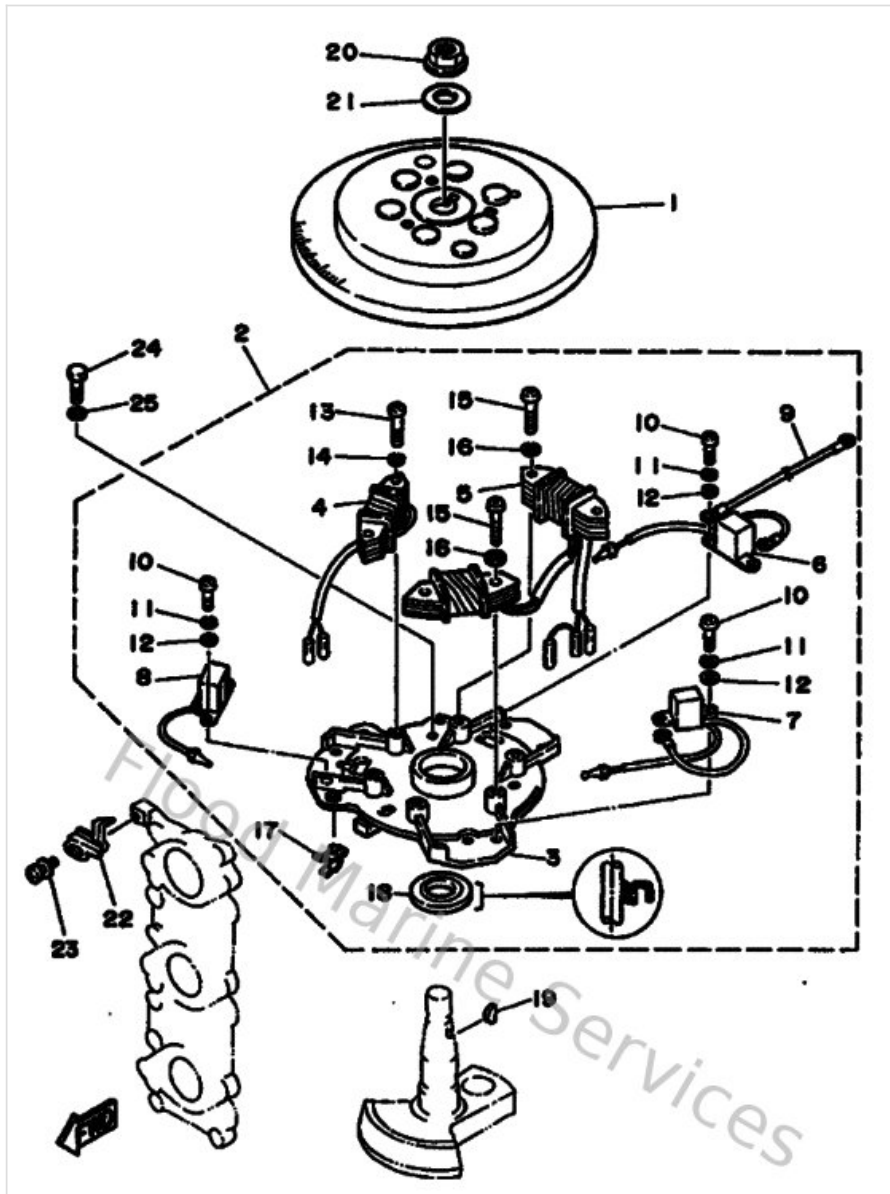
Ref	Part	
27	<a href="#">901711601100</a> Nut, castle (663)	<a href="#">Buy now</a>
28	<a href="#">914903003000</a> Pin, cotter	<a href="#">Buy now</a>
29	<a href="#">663459490100</a> Propeller (3x10-3/4"x16"-g)	<a href="#">Buy now</a>

# Magneto



Ref	Part	
1	<a href="#">6H5855501000</a> Rotor assembly	<a href="#">Buy now</a>
2	<a href="#">6H5855600100</a> Base Assembly	<a href="#">Buy now</a>
3	<a href="#">6H4153590394</a> Housing, oil seal	<a href="#">Buy now</a>
4	<a href="#">6H5855200000</a> Coil, charge	<a href="#">Buy now</a>
5	<a href="#">6H5855330100</a> Coil, Lighting	<a href="#">Buy now</a>
6	<a href="#">6H5855800000</a> Coil, Pulser	<a href="#">Buy now</a>
7	<a href="#">6H5855801000</a> Coil, Pulser	<a href="#">Buy now</a>
10	<a href="#">985010501200</a> Screw, pan head (646)	<a href="#">Buy now</a>
11	<a href="#">929010510000</a> Ybs67-5 washer, spring	<a href="#">Buy now</a>
12	<a href="#">929070560000</a> Washer(1rw)	<a href="#">Buy now</a>
13	<a href="#">925010602500</a> Screw, pan head (76t)	<a href="#">Buy now</a>
14	<a href="#">929900610000</a> Washer(6a1)	<a href="#">Buy now</a>
15	<a href="#">925010603000</a> Screw, pan head(6e0)	<a href="#">Buy now</a>
17	<a href="#">9046403M1500</a> Clamp(6j8)	<a href="#">Buy now</a>
18	<a href="#">931022309600</a> Oil seal (23x38x7-648)	<a href="#">Buy now</a>

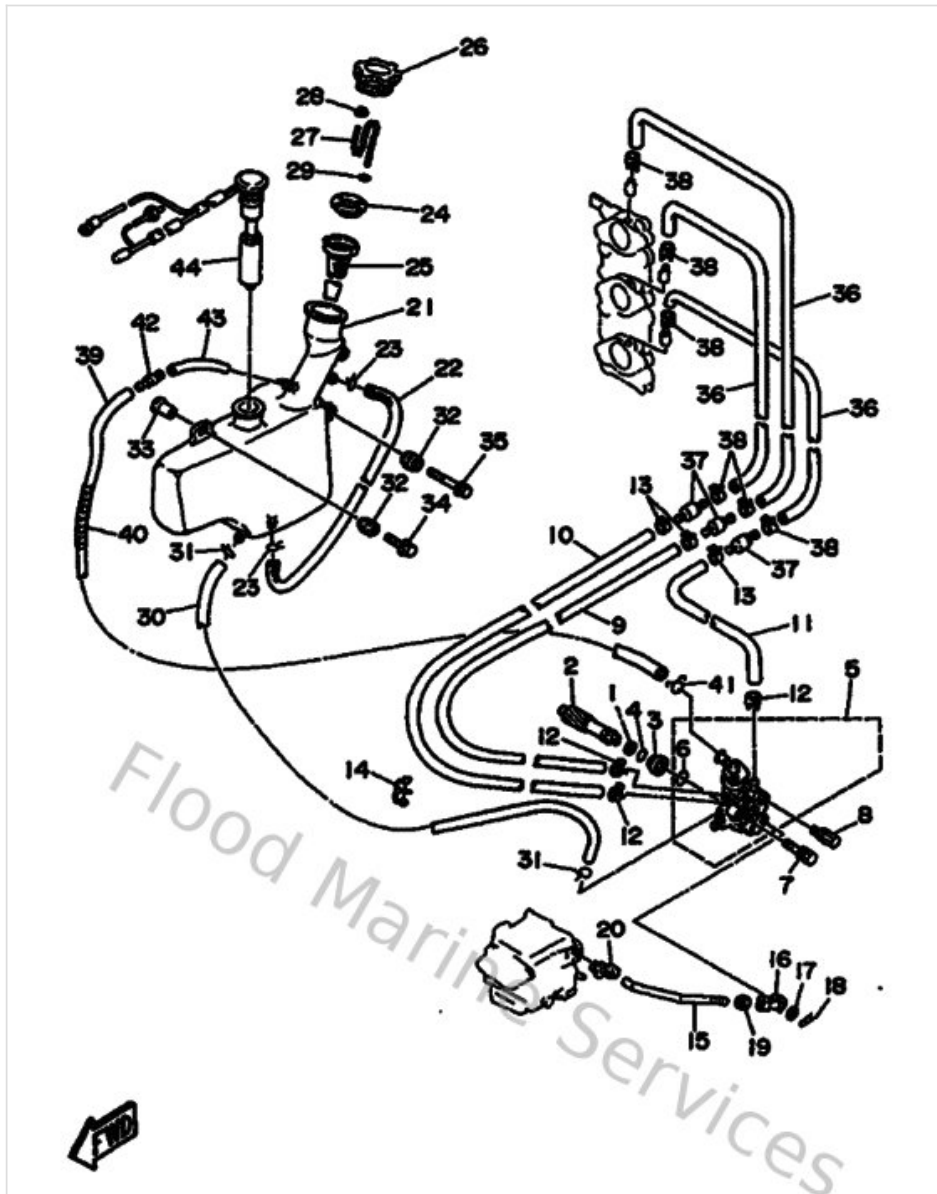
# Magneto



Ref	Part	
19	<a href="#">6H4115450000</a> Key, woodruff	<a href="#">Buy now</a>
20	<a href="#">9017916M0500</a> Nut (689)	<a href="#">Buy now</a>
21	<a href="#">9020116M4400</a> Washer (689)	<a href="#">Buy now</a>
22	<a href="#">6H4813320000</a> Plate, timing	<a href="#">Buy now</a>
23	<a href="#">979850521000</a> Screw, With Washer	<a href="#">Buy now</a>
24	<a href="#">973130601800</a> Bolt, hexagon	<a href="#">Buy now</a>
25	<a href="#">929900660000</a> Washer, plain (646)	<a href="#">Buy now</a>

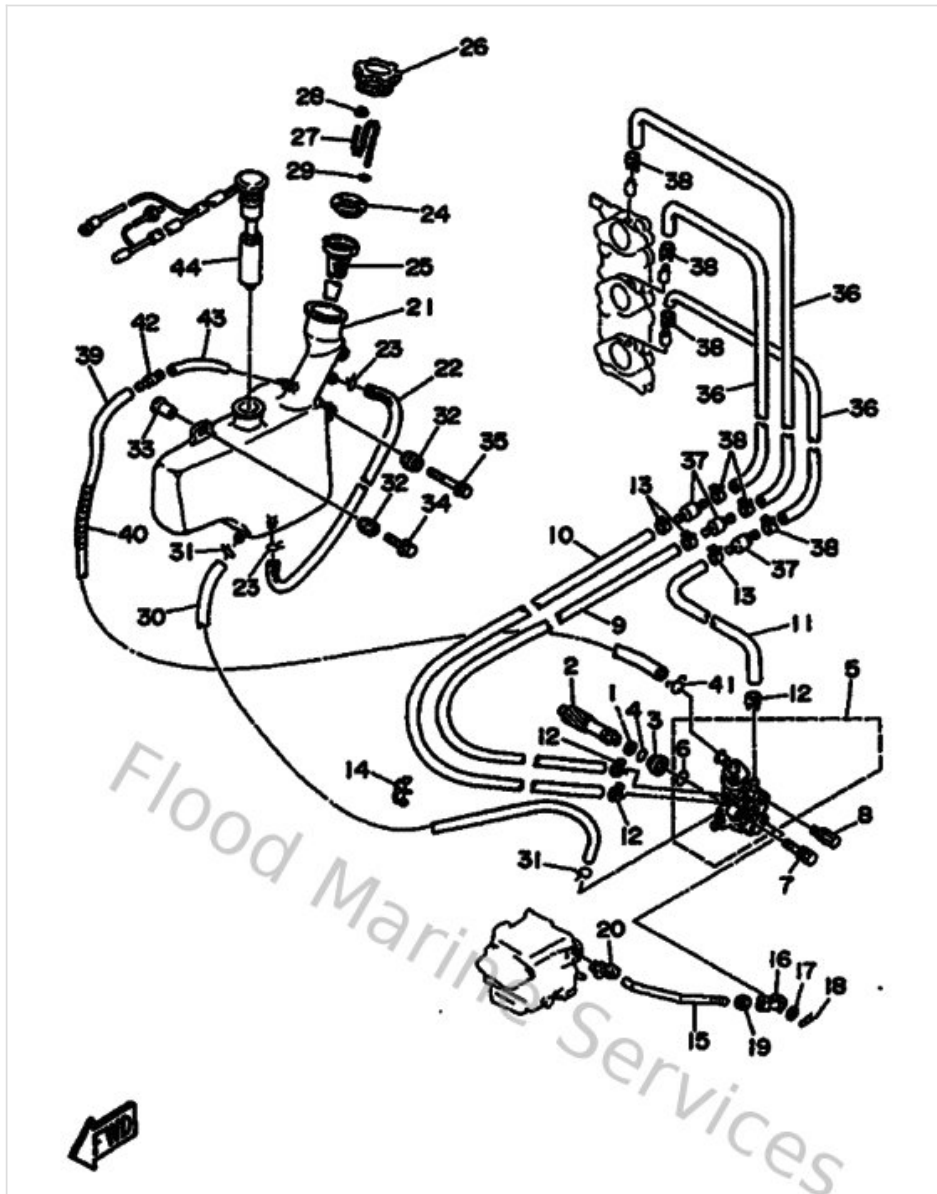


# Oil Pump



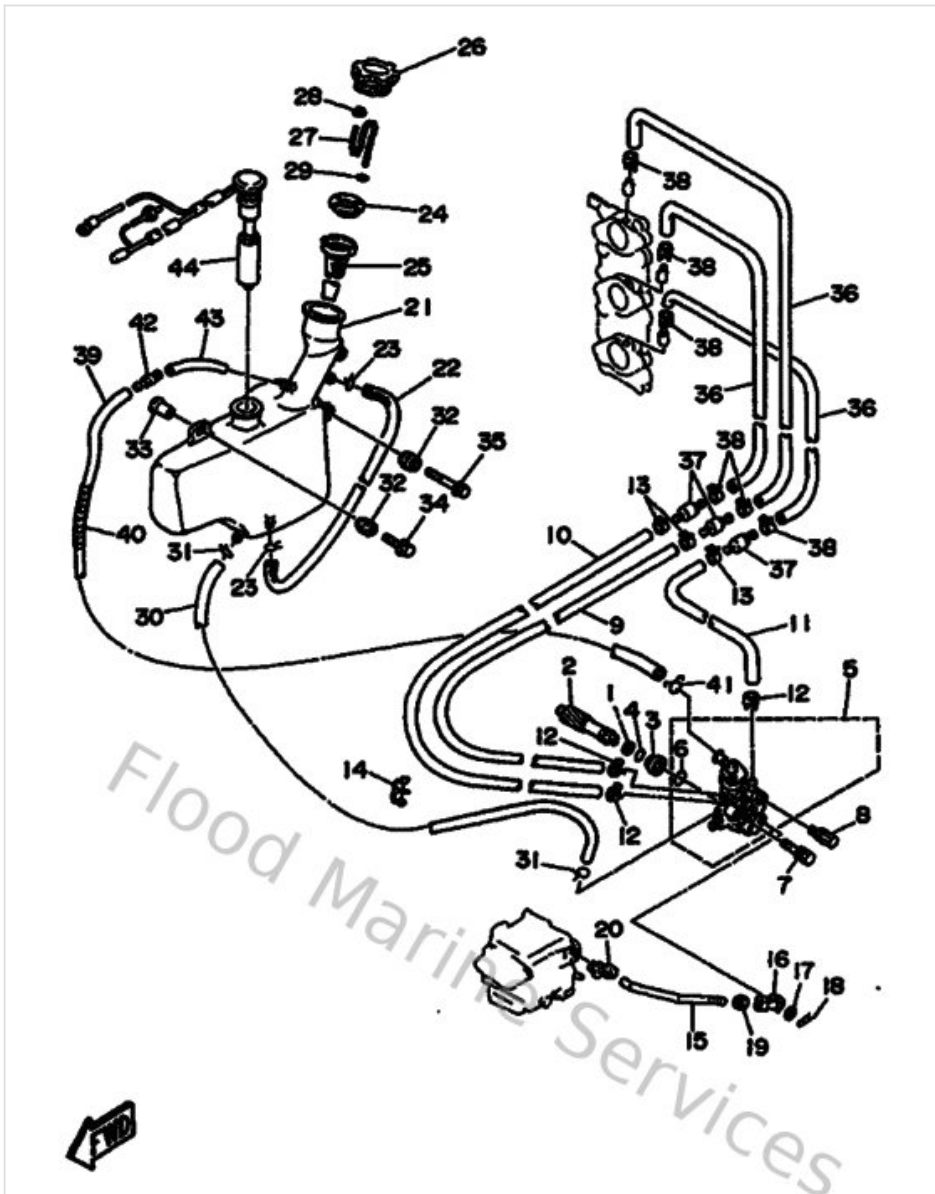
Ref	Part	
1	<a href="#">9020108M9300</a> Washer, plate (6g5)	<a href="#">Buy now</a>
2	<a href="#">6H4115370100</a> Gear, driven	<a href="#">Buy now</a>
3	<a href="#">6H1131170100</a> Collar, distance	<a href="#">Buy now</a>
4	<a href="#">932101359500</a> 93210-13m04	<a href="#">Buy now</a>
6	<a href="#">9321019MA700</a> O-ring(6r0)	<a href="#">Buy now</a>
7	<a href="#">9010906M3900</a> Bolt(6h0)	<a href="#">Buy now</a>
8	<a href="#">9010906M4000</a> Bolt(6h0)	<a href="#">Buy now</a>
9	<a href="#">9044507M4400</a> Hose (I390)	<a href="#">Buy now</a>
10	<a href="#">9044507M2300</a> Hose (I570)	<a href="#">Buy now</a>
11	<a href="#">9044507MA300</a> Hose (I200)	<a href="#">Buy now</a>
12	<a href="#">9046807M0200</a> Clip (6e5)	<a href="#">Buy now</a>
14	<a href="#">9046407M2000</a> Clamp(6h0)	<a href="#">Buy now</a>
17	<a href="#">902020508800</a> Washer, plate (666)	<a href="#">Buy now</a>
18	<a href="#">9046805M0300</a> Clip(6j8)	<a href="#">Buy now</a>
19	<a href="#">953800560000</a> Nut, hexagon (663)	<a href="#">Buy now</a>

# Oil Pump



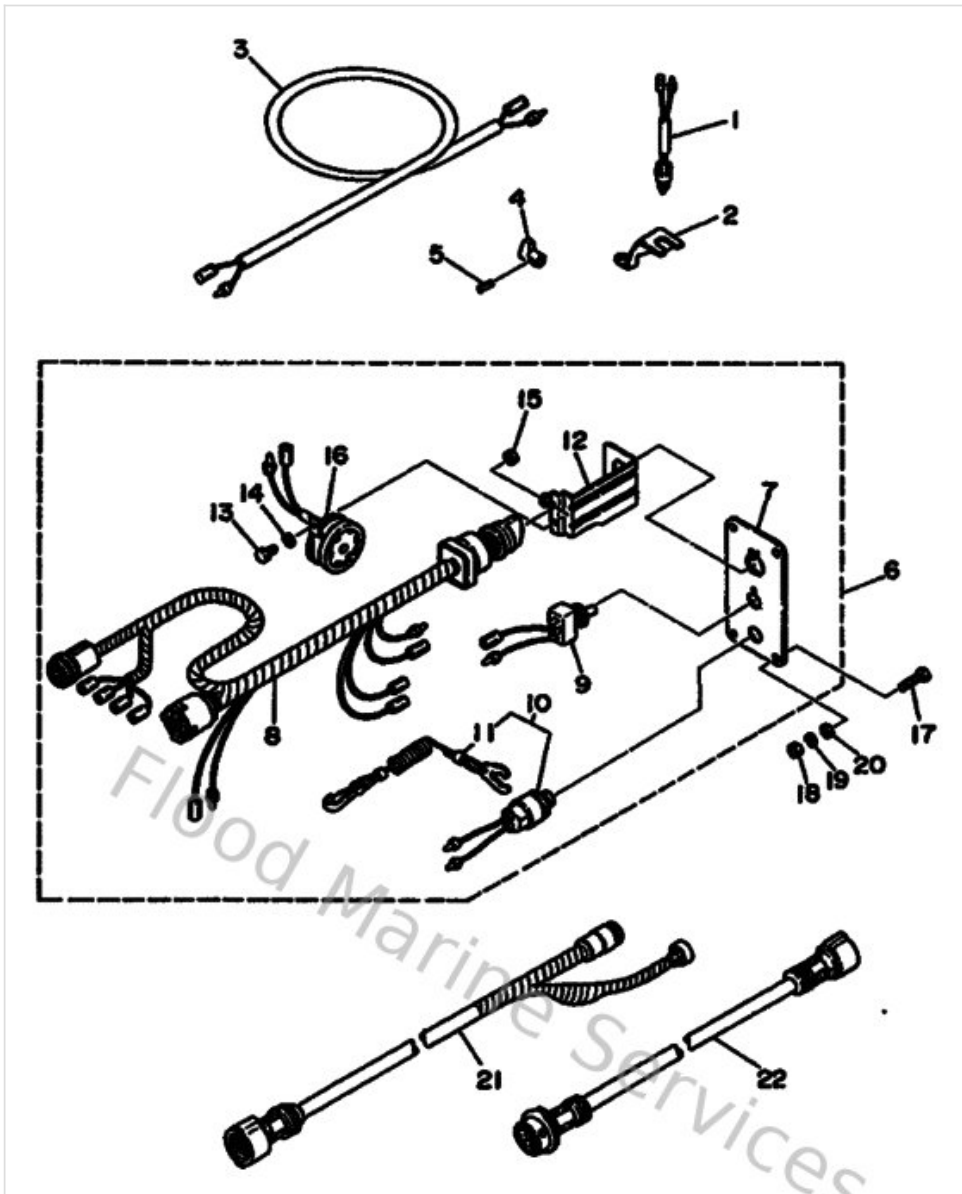
Ref	Part	
20	<a href="#">6R5412370000</a> Joint, link	<a href="#">Buy now</a>
22	<a href="#">9044609M0800</a> Hose	<a href="#">Buy now</a>
23	<a href="#">904670800400</a> Clip, pipe 6162435600	<a href="#">Buy now</a>
24	<a href="#">6H4217730000</a> Grommet	<a href="#">Buy now</a>
26	<a href="#">6H4217700000</a> Oil tank cap assembly	<a href="#">Buy now</a>
27	<a href="#">6H4246330100</a> Chain, ball	<a href="#">Buy now</a>
28	<a href="#">6H4246340000</a> Hook, chain ball	<a href="#">Buy now</a>
29	<a href="#">6H4217570000</a> Washer, special 1	<a href="#">Buy now</a>
30	<a href="#">9044509M3700</a> Hose (l1500)	<a href="#">Buy now</a>
32	<a href="#">6A0823170000</a> Damper, ignition coil	<a href="#">Buy now</a>
33	<a href="#">624425420000</a> Collar	<a href="#">Buy now</a>
34	<a href="#">9011906M6500</a> Bolt, with washer	<a href="#">Buy now</a>
35	<a href="#">9011906M6700</a> Bolt, with washer	<a href="#">Buy now</a>
36	<a href="#">9044607M4800</a> Hose(62t)	<a href="#">Buy now</a>
37	<a href="#">6J8131830000</a> Valve check	<a href="#">Buy now</a>

# Oil Pump



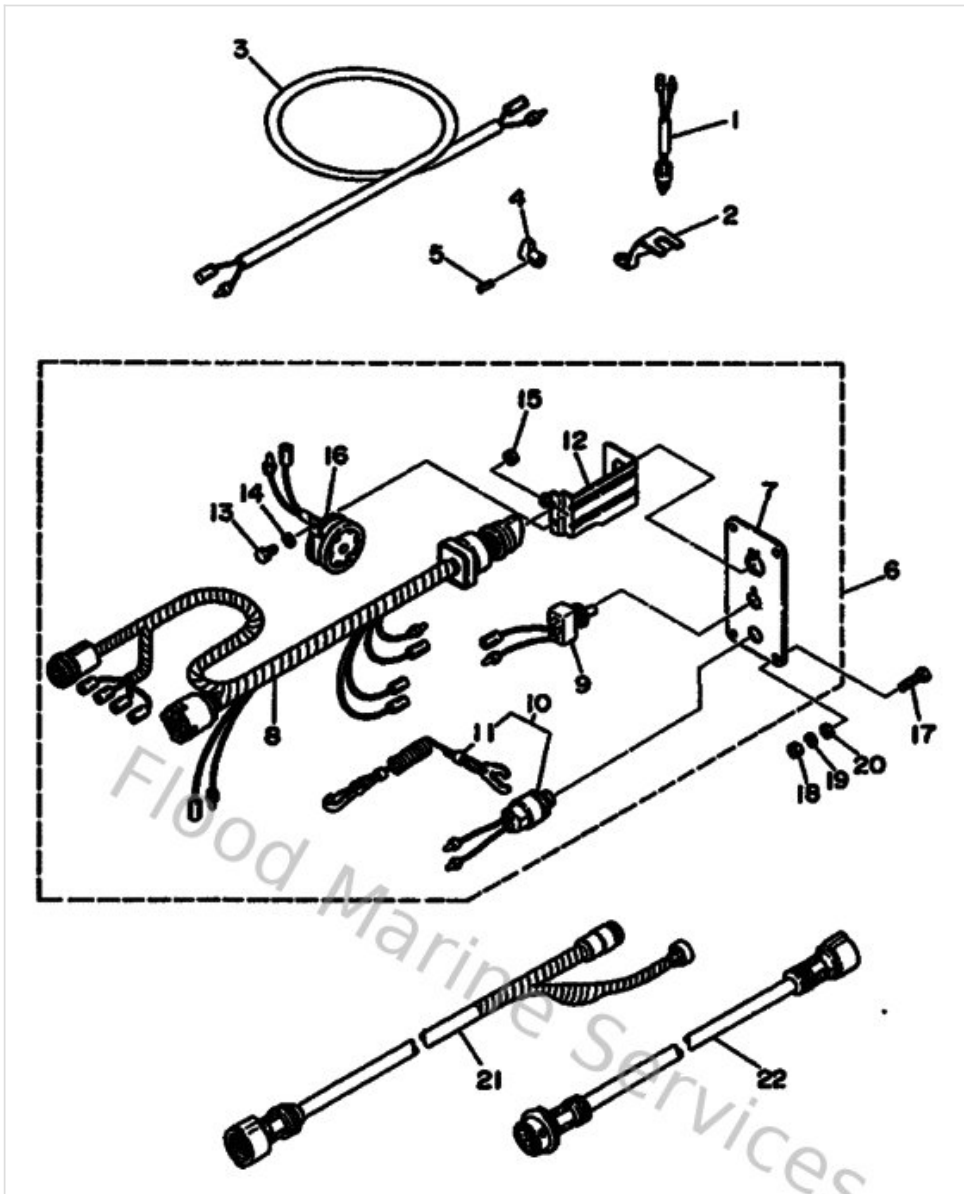
Ref	Part	
39	<a href="#">9044511M1700</a> Hose (I360)	<a href="#">Buy now</a>
40	<a href="#">9044610M0100</a> Tube (6e5)	<a href="#">Buy now</a>
41	<a href="#">9046710M0400</a> Clip, pipe 1 (6e9)	<a href="#">Buy now</a>
42	<a href="#">6J8217440000</a> Breather	<a href="#">Buy now</a>
43	<a href="#">9044511M2300</a> Hose (I100)	<a href="#">Buy now</a>
44	<a href="#">6H4857202100</a> Oil Level Gauge Assembly	<a href="#">Buy now</a>

## Optional Parts 1



Ref	Part	
1	<a href="#">6H3825400000</a> Neutral switch assembly	<a href="#">Buy now</a>
2	<a href="#">6H4825540000</a> Stay, Neutral Switch	<a href="#">Buy now</a>
3	<a href="#">6H4825530000</a> Extension, wire lead	<a href="#">Buy now</a>
4	<a href="#">6H4441730000</a> Lever Shift Control	<a href="#">Buy now</a>
5	<a href="#">916903002000</a> Pin, spring (6h4)	<a href="#">Buy now</a>
6	<a href="#">704825701200</a> Panel switch assembly	<a href="#">Buy now</a>
7	<a href="#">689825710200</a> Panel, Switch	<a href="#">Buy now</a>
8	<a href="#">704825100200</a> Main switch assembly	<a href="#">Buy now</a>
9	<a href="#">703825740000</a> Switch, choke	<a href="#">Buy now</a>
10	<a href="#">688825750200</a> Engine stop switch assembly	<a href="#">Buy now</a>
11	<a href="#">682825560000</a> Lanyard, stop switch	<a href="#">Buy now</a>
12	<a href="#">704825810000</a> Stay, Cord Clamp	<a href="#">Buy now</a>
13	<a href="#">973030501200</a> Bolt, hexagon	<a href="#">Buy now</a>
14	<a href="#">929900510000</a> Ybs67-5 washer, spring	<a href="#">Buy now</a>
15	<a href="#">953030570000</a> Nut (656)	<a href="#">Buy now</a>

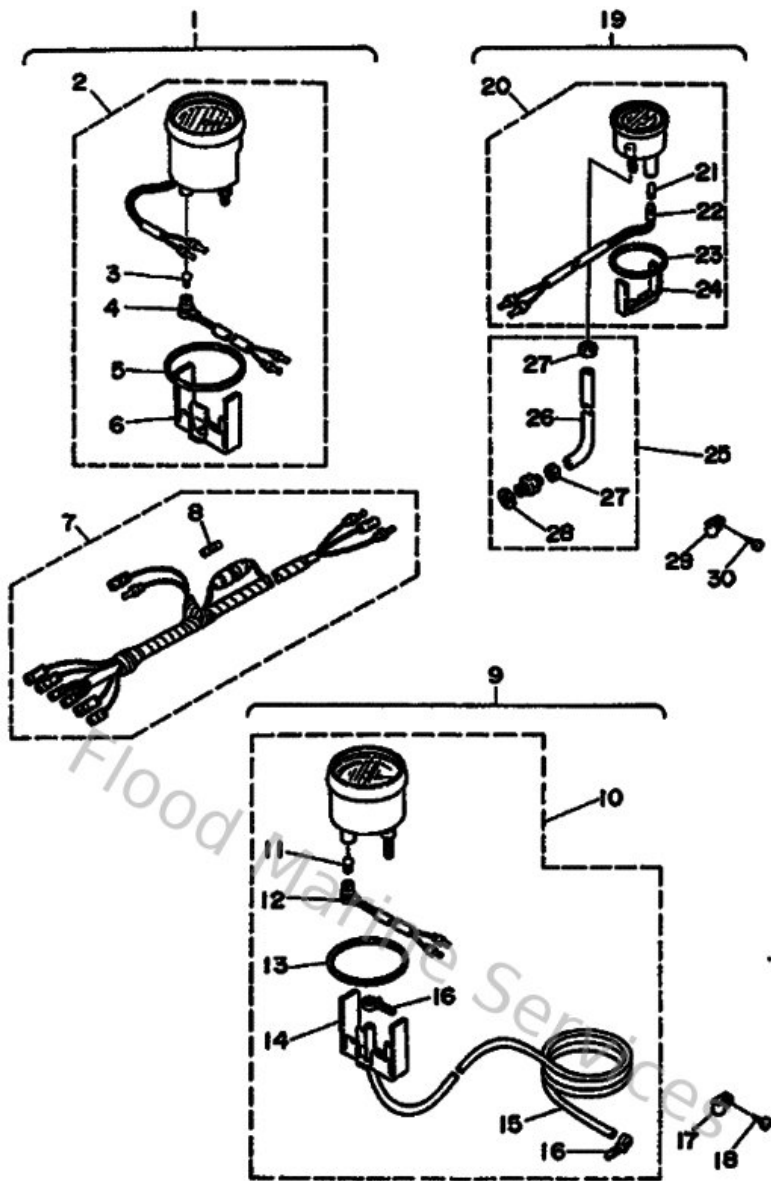
## Optional Parts 1



Ref	Part	
16	<a href="#">688833831200</a> Buzzer	<a href="#">Buy now</a>
17	<a href="#">9014905M0500</a> Screw(6k0)	<a href="#">Buy now</a>
18	<a href="#">953800560000</a> Nut, hexagon (663)	<a href="#">Buy now</a>
20	<a href="#">929900560000</a> Washer, plain (646)	<a href="#">Buy now</a>
21	<a href="#">6888258A5000</a> 10p main harness mec 5m (16ft)	<a href="#">Buy now</a>
22	<a href="#">6888258A1000</a> 10p main harness mec 2m (7ft)	<a href="#">Buy now</a>

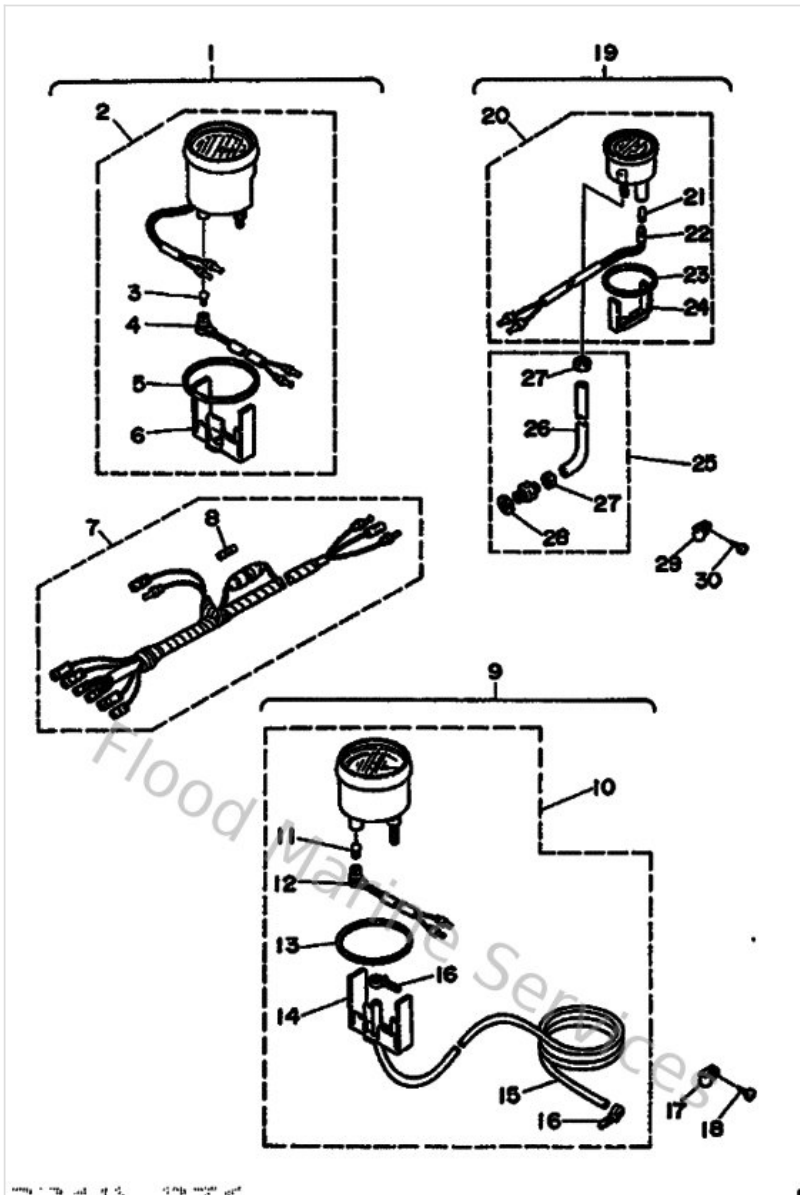


## Optional Parts 2



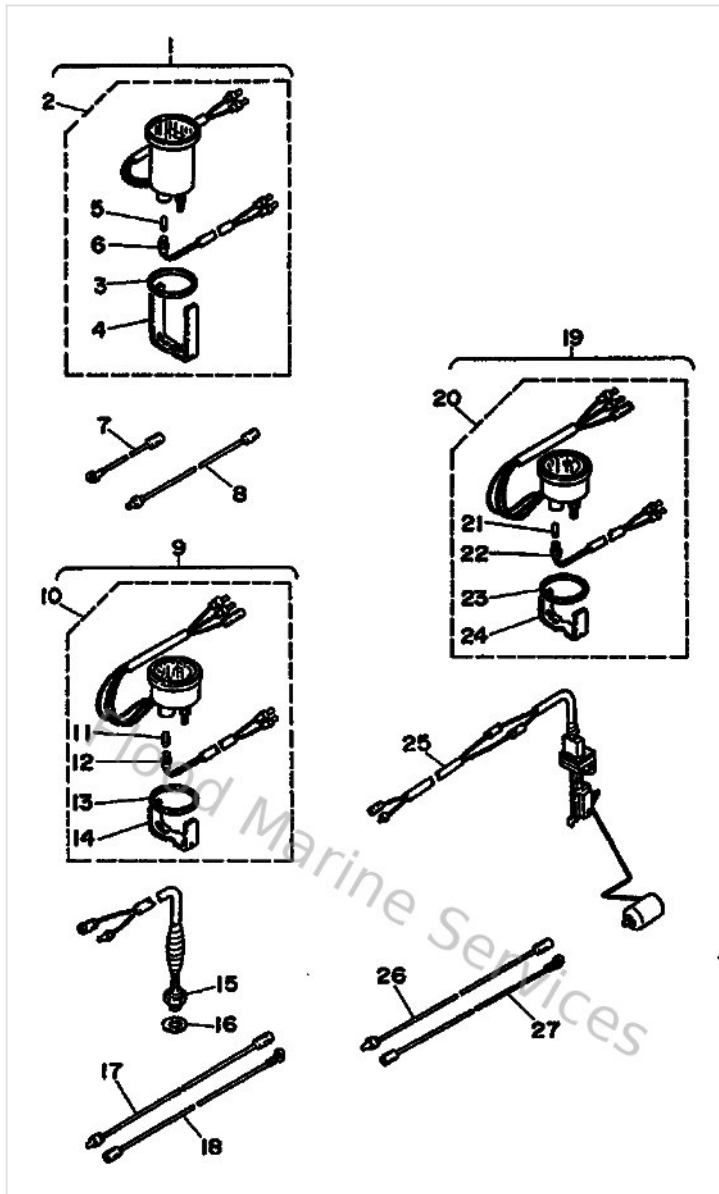
Ref	Part	
1	<a href="#">6Y5W00801100</a> Tachometer kit	<a href="#">Buy now</a>
2	<a href="#">6Y5835401200</a> Tachometer assembly	<a href="#">Buy now</a>
3	<a href="#">688835160000</a> Bulb, pilot (t6.5, 12v-1.7w)	<a href="#">Buy now</a>
4	<a href="#">6Y5835361000</a> Socket, meter	<a href="#">Buy now</a>
5	<a href="#">6Y5835230000</a> Damper	<a href="#">Buy now</a>
6	<a href="#">6Y5835140000</a> Plate, fitting	<a href="#">Buy now</a>
7	<a href="#">6Y583553N000</a> Wire, lead (l=2.5m)	<a href="#">Buy now</a>
8	<a href="#">1E6821510000</a> Fuse (10a)	<a href="#">Buy now</a>
9	<a href="#">6Y5W00813000</a> Speedometer Kit	<a href="#">Buy now</a>
10	<a href="#">6Y5835103000</a> Speedometer assembly (km/h,knots,m)	<a href="#">Buy now</a>
12	<a href="#">688835360000</a> Socket, meter	<a href="#">Buy now</a>
15	<a href="#">6Y5835571000</a> Tube (8m)	<a href="#">Buy now</a>
16	<a href="#">9046511M1000</a> Clamp	<a href="#">Buy now</a>
17	<a href="#">906013140200</a> 021-58119-01 clip,nylon 14	<a href="#">Buy now</a>
18	<a href="#">977804011600</a> Screw,panh.tapping	<a href="#">Buy now</a>

## Optional Parts 2



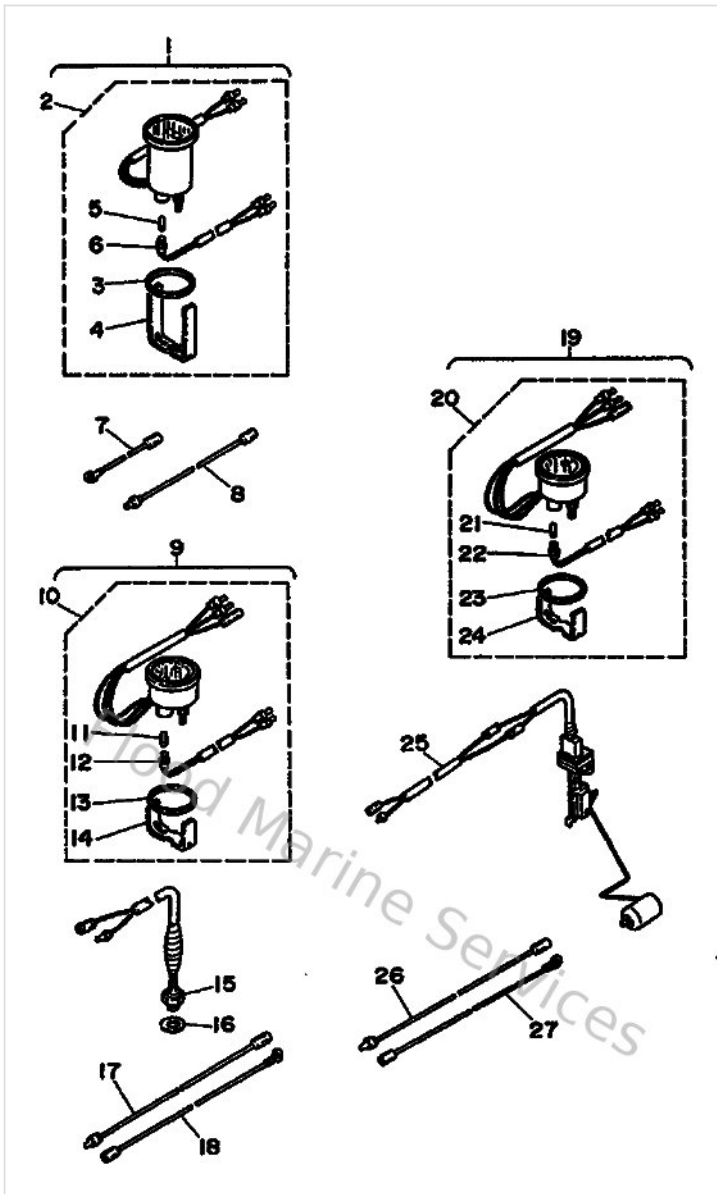
Ref	Part	
19	<a href="#">6Y5W00880000</a> Water Pressure Meter Kit	<a href="#">Buy now</a>
20	<a href="#">6Y5836600000</a> Water pressure meter assembly	<a href="#">Buy now</a>
21	<a href="#">3FV835170000</a> Bulb (12v-1.7w) t6.5	<a href="#">Buy now</a>
22	<a href="#">6Y5835360000</a> Socket, meter	<a href="#">Buy now</a>
23	<a href="#">688836640000</a> Damper	<a href="#">Buy now</a>
24	<a href="#">688836650000</a> Plate, fitting	<a href="#">Buy now</a>
25	<a href="#">688836670000</a> Sender	<a href="#">Buy now</a>
26	<a href="#">688836660000</a> Tube	<a href="#">Buy now</a>
27	<a href="#">663836680000</a> Nut, nipple	<a href="#">Buy now</a>
28	<a href="#">904301411500</a> Gasket (663)	<a href="#">Buy now</a>

## Optional Parts 3



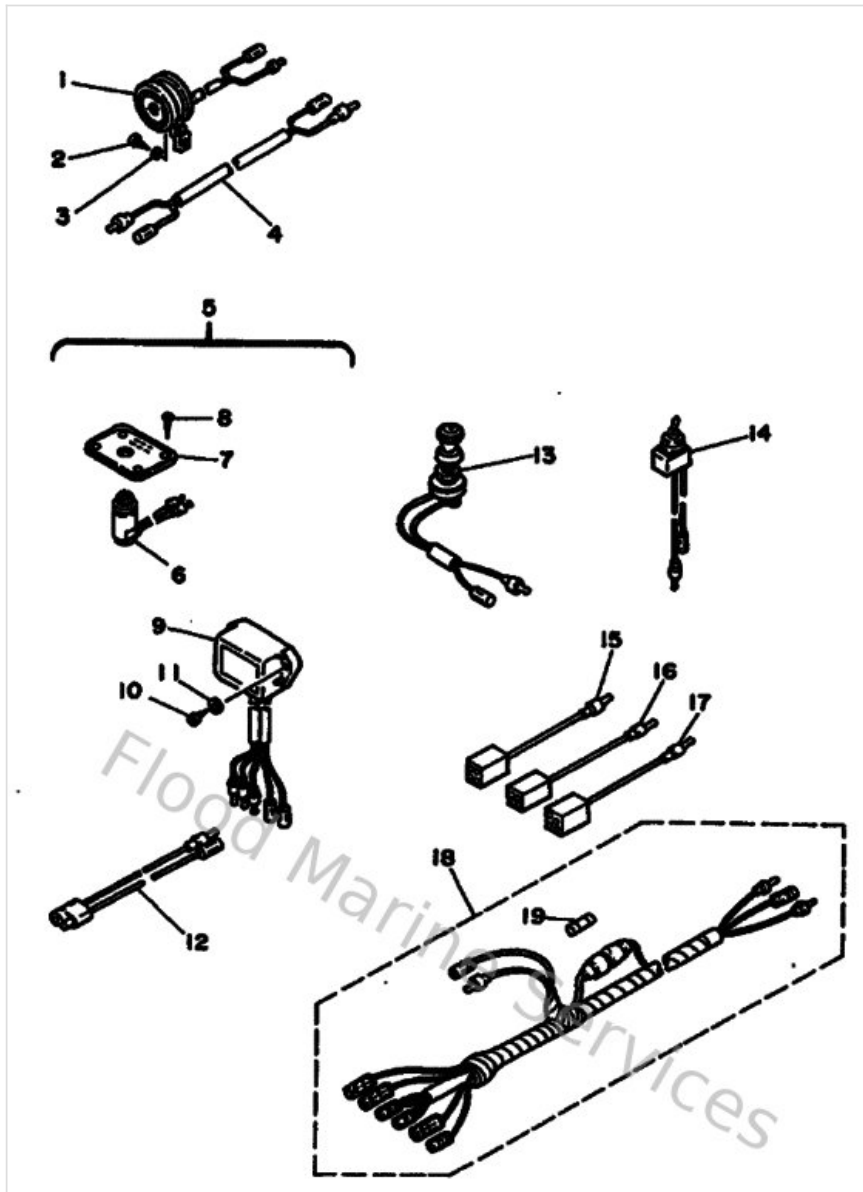
Ref	Part	
1	<a href="#">6Y5W00883100</a> Hour meter kit	<a href="#">Buy now</a>
2	<a href="#">6Y5835040100</a> Hour meter assembly	<a href="#">Buy now</a>
3	<a href="#">688836640000</a> Damper	<a href="#">Buy now</a>
4	<a href="#">6Y5835770000</a> Plate, fitting	<a href="#">Buy now</a>
5	<a href="#">6Y5835180000</a> Bulb (12v-1.7w) t6.5	<a href="#">Buy now</a>
6	<a href="#">6Y5835360000</a> Socket, meter	<a href="#">Buy now</a>
7	<a href="#">66383553A000</a> Wire, lead	<a href="#">Buy now</a>
8	<a href="#">66383553Y000</a> Wire, lead	<a href="#">Buy now</a>
9	<a href="#">6Y5W00881000</a> Water Temp. Meter Kit	<a href="#">Buy now</a>
10	<a href="#">6Y5835900000</a> Water temperature assembly	<a href="#">Buy now</a>
14	<a href="#">6Y5835440000</a> Plate, fitting	<a href="#">Buy now</a>
15	<a href="#">688835910000</a> Thermo unit	<a href="#">Buy now</a>
16	<a href="#">904301411500</a> Gasket (663)	<a href="#">Buy now</a>
19	<a href="#">6Y5W00882000</a> Fuel meter kit	<a href="#">Buy now</a>
20	<a href="#">6Y5857500000</a> Fuel meter assembly	<a href="#">Buy now</a>

## Optional Parts 3



Ref	Part	
21	<a href="#">3FV835170000</a> Bulb (12v-1.7w) t6.5	<a href="#">Buy now</a>
25	<a href="#">688857520100</a> Sender unit assembly, fuel meter	<a href="#">Buy now</a>

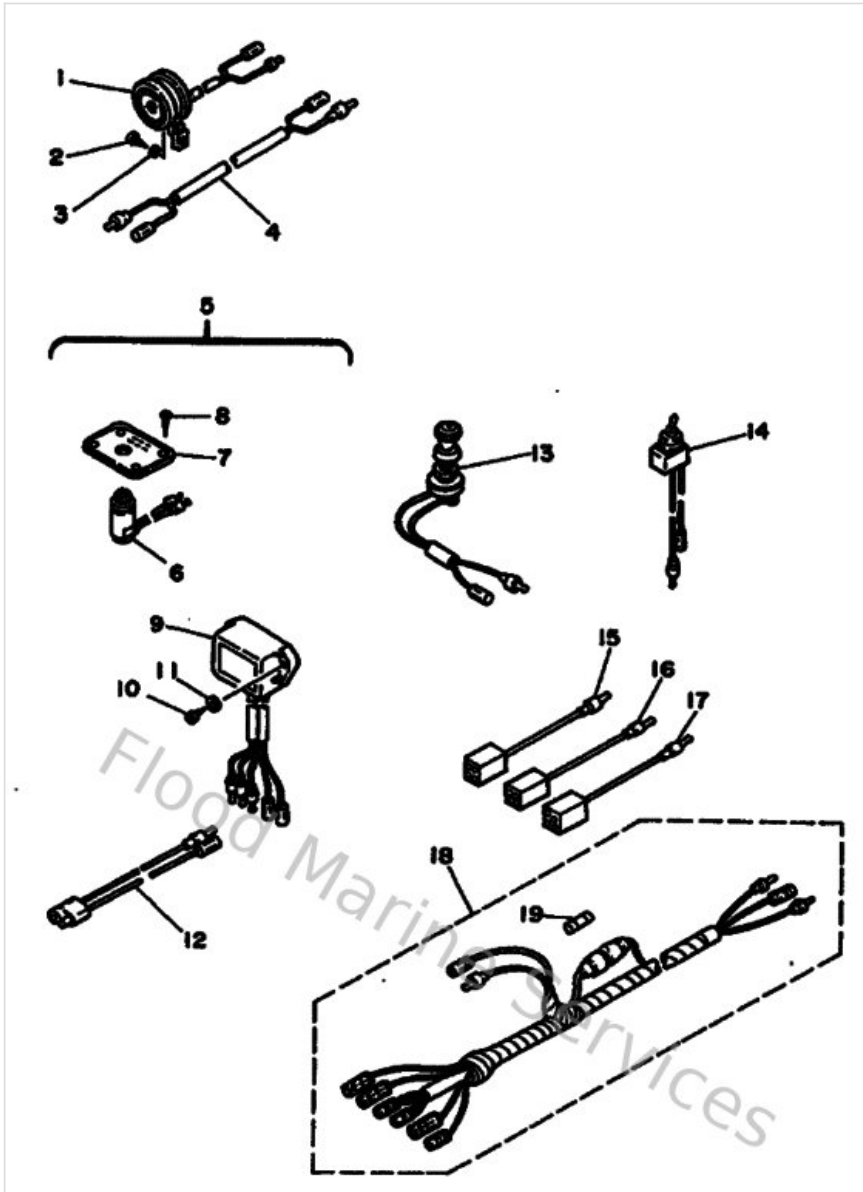
## Optional Parts 4



Ref	Part	
1	<a href="#">688833831100</a> Buzzer	<a href="#">Buy now</a>
2	<a href="#">977806051600</a> Screw, panhead tapping (j20)	<a href="#">Buy now</a>
3	<a href="#">929900560000</a> Washer, plain (646)	<a href="#">Buy now</a>
4	<a href="#">688833731000</a> Lead, horn	<a href="#">Buy now</a>
6	<a href="#">663843010100</a> Pilot lamp ass'y	<a href="#">Buy now</a>
7	<a href="#">663843090000</a> Plate set	<a href="#">Buy now</a>
8	<a href="#">954283131600</a> Screw, round tapping	<a href="#">Buy now</a>
10	<a href="#">977806052000</a> Screw, tapping(6k8)	<a href="#">Buy now</a>
11	<a href="#">929900660000</a> Washer, plain (646)	<a href="#">Buy now</a>
12	<a href="#">663825210900</a> Wire, Lead	<a href="#">Buy now</a>
13	<a href="#">688825200000</a> Lamp switch assembly	<a href="#">Buy now</a>
14	<a href="#">688825260000</a> Switch, lamp	<a href="#">Buy now</a>
15	<a href="#">6Y5821490000</a> Wire, lead 3	<a href="#">Buy now</a>
16	<a href="#">6Y5821170000</a> Wire, lead	<a href="#">Buy now</a>
17	<a href="#">6Y5825210000</a> Wire, lead	<a href="#">Buy now</a>

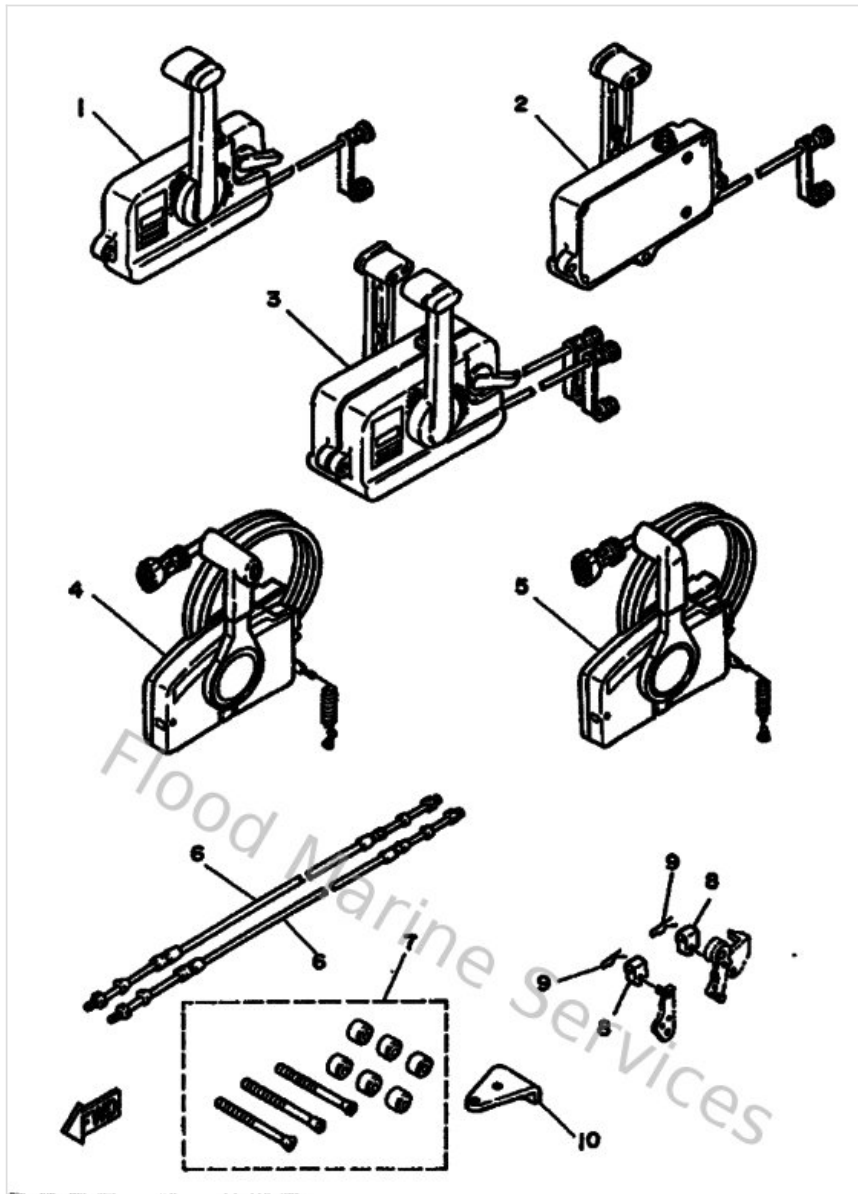


## Optional Parts 4



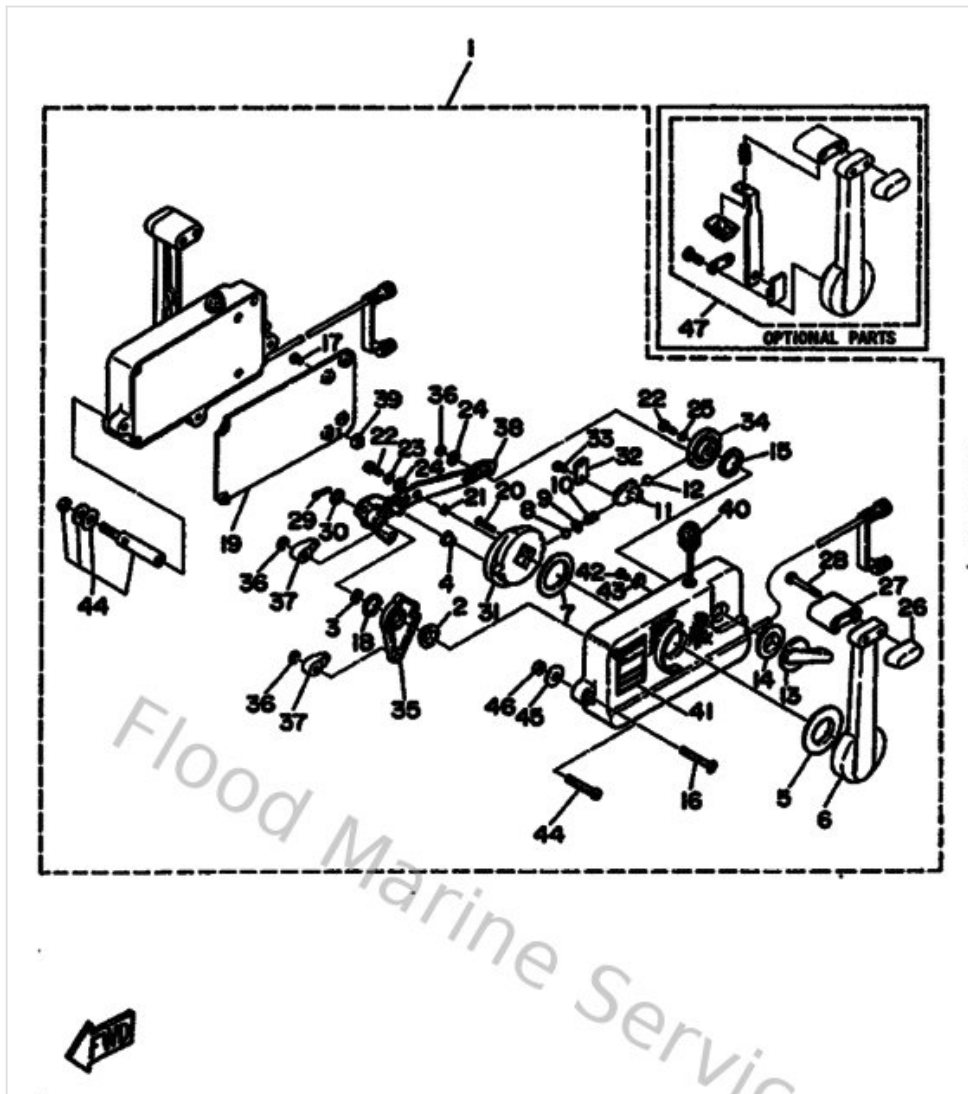
Ref	Part	
18	<a href="#">6Y5835530000</a> Wire, lead (l=2.5m)	<a href="#">Buy now</a>
19	<a href="#">1E6821510000</a> Fuse (10a)	<a href="#">Buy now</a>

# Remote Control



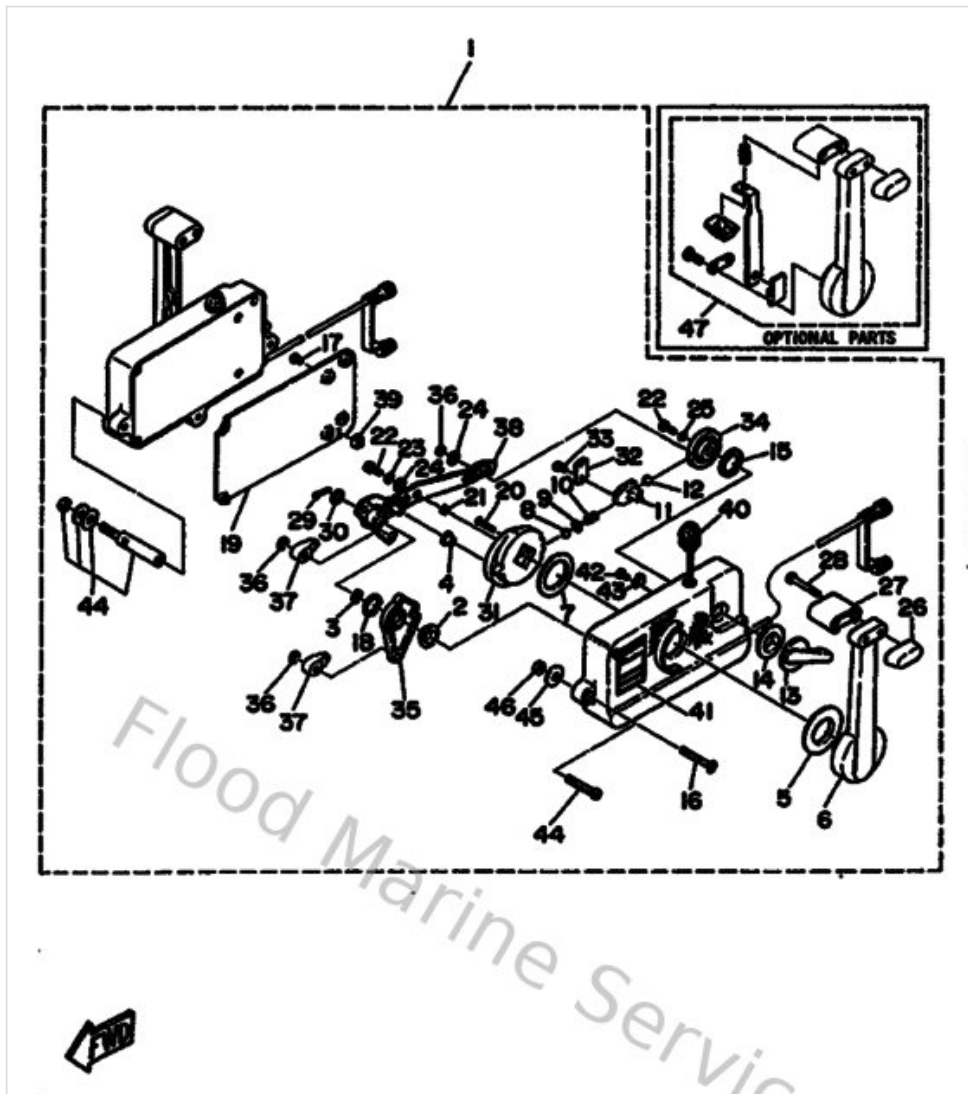
Ref	Part	
1	<a href="#">701481011000</a> Remote control assembly	<a href="#">Buy now</a>
2	<a href="#">701481021000</a> Remote control assembly	<a href="#">Buy now</a>
3	<a href="#">701481102200</a> Remote Control assembly	<a href="#">Buy now</a>
4	<a href="#">703482502100</a> Remote control assembly (10p, ptt)	<a href="#">Buy now</a>
5	<a href="#">703482801200</a> Remote control assembly (10p)	<a href="#">Buy now</a>
6	<a href="#">MARCABLE09SC</a> Remote Control Cable 9' :ob	<a href="#">Buy now</a>
7	<a href="#">703482900100</a> Twin attachment	<a href="#">Buy now</a>
8	<a href="#">6H4483440000</a> Cable end, remote control	<a href="#">Buy now</a>
9	<a href="#">904681800800</a> Clip 620436610000	<a href="#">Buy now</a>
10	<a href="#">6H448511514D</a> Hook, Steering	<a href="#">Buy now</a>

# Remote Control Assy 1



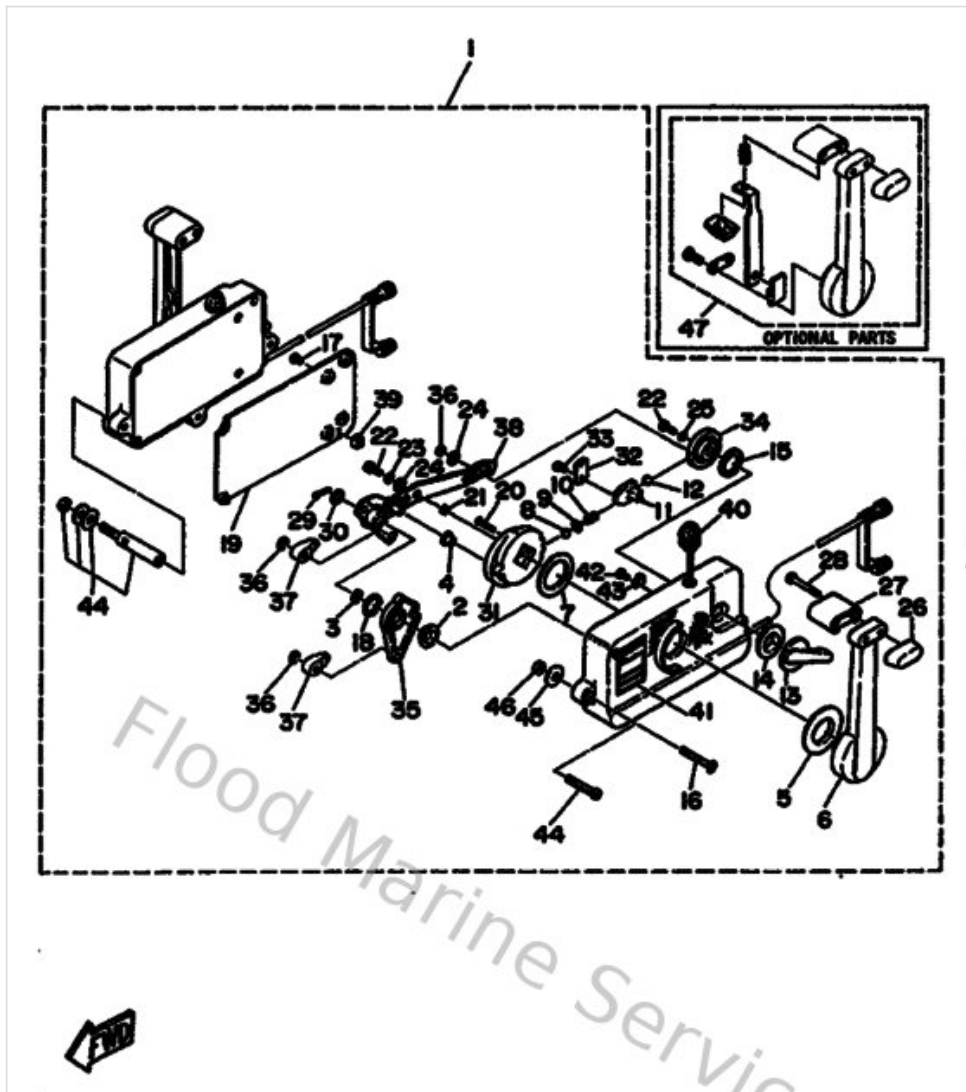
Ref	Part	
1	<a href="#">701481011000</a> Remote control assembly	<a href="#">Buy now</a>
2	<a href="#">701482350000</a> Bushing 2	<a href="#">Buy now</a>
3	<a href="#">701481971000</a> Washer, wave 2	<a href="#">Buy now</a>
4	<a href="#">701482520000</a> Roller, cam	<a href="#">Buy now</a>
5	<a href="#">701482340000</a> Bushing 1	<a href="#">Buy now</a>
6	<a href="#">701482210000</a> Lever, control	<a href="#">Buy now</a>
7	<a href="#">701481961100</a> Washer, wave 1	<a href="#">Buy now</a>
8	<a href="#">701482360000</a> Roller, detent	<a href="#">Buy now</a>
9	<a href="#">702482370000</a> Adaptor	<a href="#">Buy now</a>
10	<a href="#">702482380000</a> Spring, Detent	<a href="#">Buy now</a>
11	<a href="#">701482490000</a> Spring, adapter	<a href="#">Buy now</a>
12	<a href="#">701482480000</a> Roller, free accel	<a href="#">Buy now</a>
13	<a href="#">701481521100</a> Knob, free accel	<a href="#">Buy now</a>
14	<a href="#">701482430000</a> Bushing	<a href="#">Buy now</a>
15	<a href="#">701481981000</a> Washer, wave 3	<a href="#">Buy now</a>

# Remote Control Assy 1



Ref	Part	
16	<a href="#">701482810000</a> Screw	<a href="#">Buy now</a>
17	<a href="#">978850501000</a> Screw, pan head(62x)	<a href="#">Buy now</a>
18	<a href="#">701482680000</a> Spacer 3	<a href="#">Buy now</a>
19	<a href="#">701482130000</a> Back, plate	<a href="#">Buy now</a>
20	<a href="#">927800602500</a> Screw flat head	<a href="#">Buy now</a>
21	<a href="#">701482550000</a> Coller 1	<a href="#">Buy now</a>
22	<a href="#">970800601800</a> Bolt (fj0)	<a href="#">Buy now</a>
24	<a href="#">701482460000</a> Spacer	<a href="#">Buy now</a>
25	<a href="#">929900630000</a> Washer, tooth	<a href="#">Buy now</a>
26	<a href="#">701482290000</a> Grip, control lever 2	<a href="#">Buy now</a>
27	<a href="#">701482220000</a> Grip, control lever	<a href="#">Buy now</a>
28	<a href="#">701482820000</a> Screw, pan head	<a href="#">Buy now</a>
29	<a href="#">701482390000</a> Set Pin, Plate	<a href="#">Buy now</a>
30	<a href="#">701482660000</a> Spacer 2	<a href="#">Buy now</a>
31	<a href="#">701482320000</a> Gear 1	<a href="#">Buy now</a>

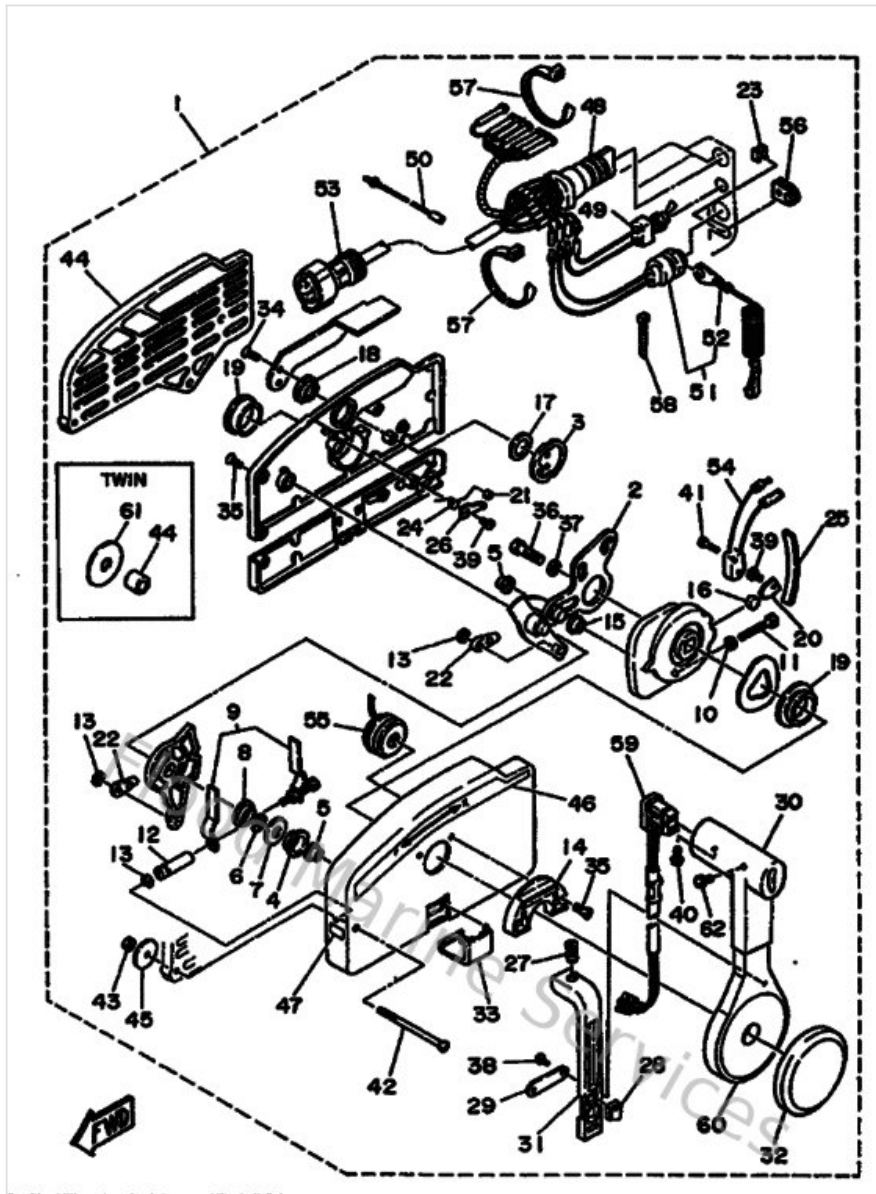
# Remote Control Assy 1



Ref	Part	
32	<a href="#">701481891100</a> Retainer	<a href="#">Buy now</a>
33	<a href="#">985800501000</a> Screw, pan head(62x)	<a href="#">Buy now</a>
34	<a href="#">701481531200</a> Shaft, free accel	<a href="#">Buy now</a>
35	<a href="#">701482711000</a> Arm, shift	<a href="#">Buy now</a>
36	<a href="#">934300602400</a> Circlip (701)	<a href="#">Buy now</a>
37	<a href="#">703483450100</a> Cable end, remote control 2	<a href="#">Buy now</a>
38	<a href="#">701482610000</a> Arm, throttle	<a href="#">Buy now</a>
39	<a href="#">701483580000</a> Anchor, cable	<a href="#">Buy now</a>
40	<a href="#">701825505000</a> Engine Stop Switch assembly	<a href="#">Buy now</a>
42	<a href="#">701482830000</a> Screw 3	<a href="#">Buy now</a>
43	<a href="#">701825940000</a> Clamp	<a href="#">Buy now</a>
44	<a href="#">701482910000</a> Attachment	<a href="#">Buy now</a>
45	<a href="#">701482870000</a> Washer 1	<a href="#">Buy now</a>
46	<a href="#">953800660000</a> Nut(661)	<a href="#">Buy now</a>
47	<a href="#">701482800000</a> Neutral lock kit	<a href="#">Buy now</a>

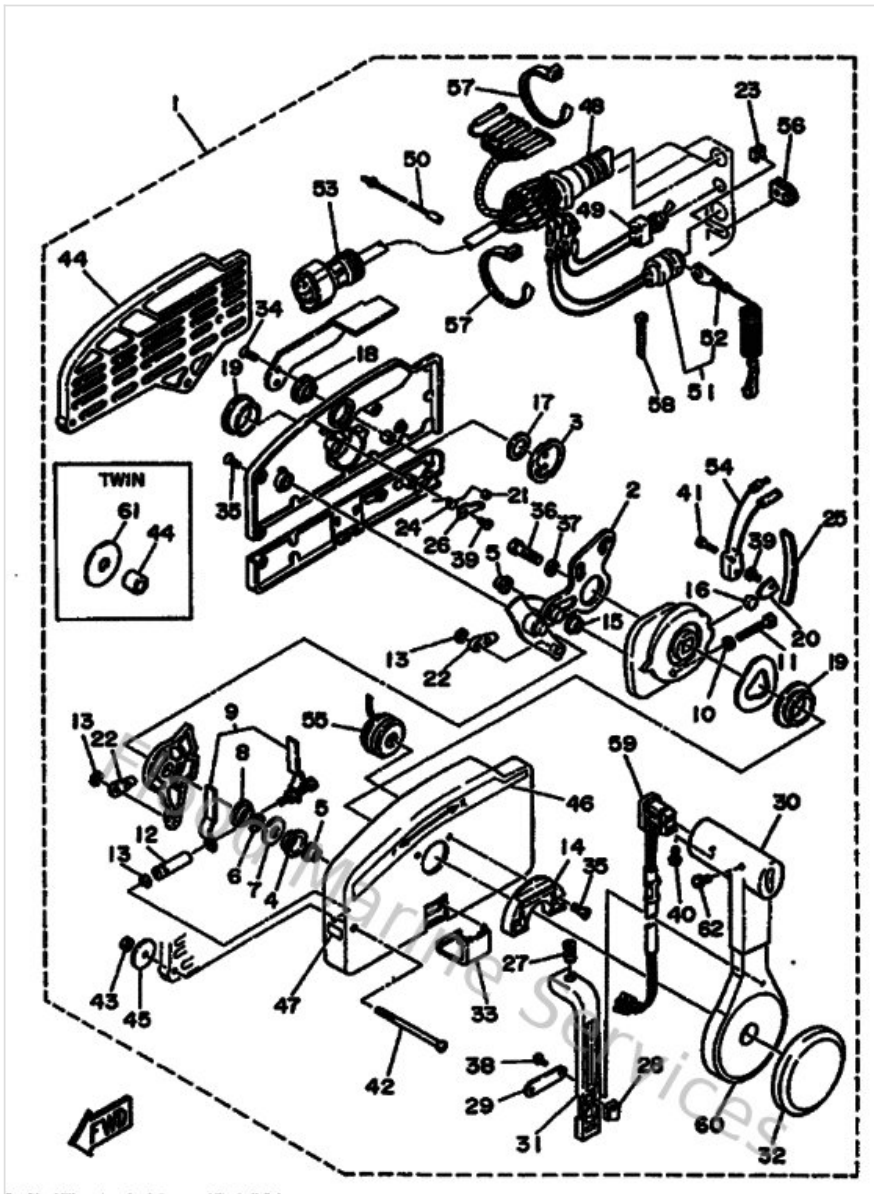


## Remote Control Assy 2



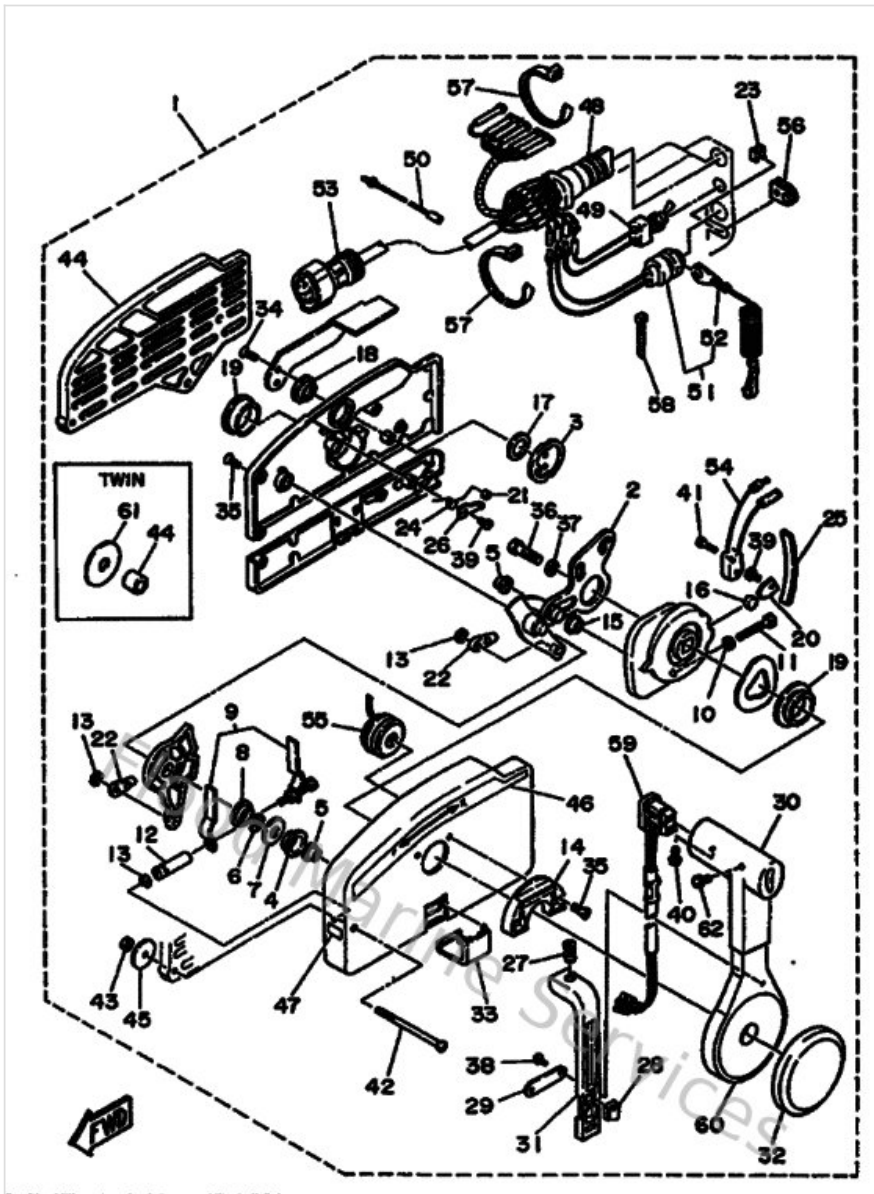
Ref	Part	
1	<a href="#">703482101200</a> Remote control assembly (10p)	<a href="#">Buy now</a>
2	<a href="#">703482611000</a> Arm, throttle	<a href="#">Buy now</a>
3	<a href="#">703481530000</a> Shaft, free accel.	<a href="#">Buy now</a>
4	<a href="#">703482350000</a> Bushing	<a href="#">Buy now</a>
5	<a href="#">703482730000</a> Bushing	<a href="#">Buy now</a>
7	<a href="#">703482680000</a> Spacer 3	<a href="#">Buy now</a>
8	<a href="#">703482630000</a> Bushing	<a href="#">Buy now</a>
9	<a href="#">703482640000</a> Throttle, friction	<a href="#">Buy now</a>
10	<a href="#">953800560000</a> Nut, hexagon (663)	<a href="#">Buy now</a>
12	<a href="#">703482650000</a> Shaft Friction	<a href="#">Buy now</a>
13	<a href="#">934300602400</a> Circlip (701)	<a href="#">Buy now</a>
14	<a href="#">703482450000</a> Plate, lock	<a href="#">Buy now</a>
15	<a href="#">703482520000</a> Roller, cam	<a href="#">Buy now</a>
16	<a href="#">701482480000</a> Roller, free accel	<a href="#">Buy now</a>
17	<a href="#">703481980000</a> Washer, wave 3	<a href="#">Buy now</a>

## Remote Control Assy 2



Ref	Part	
18	<a href="#">703482430000</a> Bushing 3	<a href="#">Buy now</a>
19	<a href="#">703482360000</a> Bushing	<a href="#">Buy now</a>
20	<a href="#">703481890000</a> Retainer	<a href="#">Buy now</a>
21	<a href="#">703482340000</a> Roller, detent	<a href="#">Buy now</a>
22	<a href="#">703483450100</a> Cable end, remote control 2	<a href="#">Buy now</a>
23	<a href="#">703483580000</a> Anchor, cable	<a href="#">Buy now</a>
24	<a href="#">703482440000</a> Spring, free accel.	<a href="#">Buy now</a>
25	<a href="#">703482380000</a> Spring, detent	<a href="#">Buy now</a>
26	<a href="#">703482460000</a> Spacer 1	<a href="#">Buy now</a>
27	<a href="#">703482270000</a> Spring, neutral lock	<a href="#">Buy now</a>
28	<a href="#">703825940000</a> Clamp	<a href="#">Buy now</a>
29	<a href="#">703482260000</a> Plate, stopper	<a href="#">Buy now</a>
30	<a href="#">703482220000</a> Grip, control lever	<a href="#">Buy now</a>
31	<a href="#">703482230000</a> Lock, neutral	<a href="#">Buy now</a>
32	<a href="#">703482250000</a> Cover	<a href="#">Buy now</a>

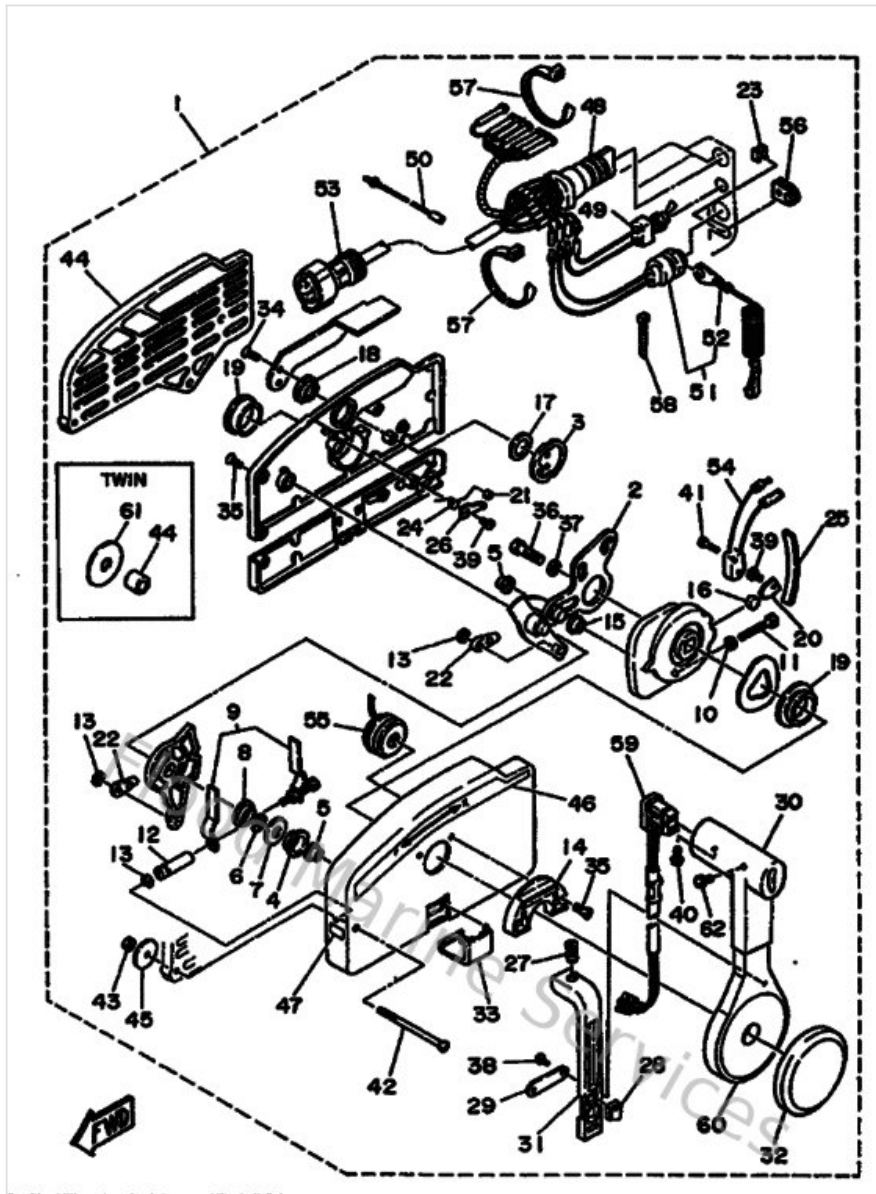
## Remote Control Assy 2



Ref	Part	
33	<a href="#">703482190000</a> Cover, lead	<a href="#">Buy now</a>
34	<a href="#">987800501200</a> Screw(617)	<a href="#">Buy now</a>
35	<a href="#">987800501600</a> Ybs53-516 screw,flat head	<a href="#">Buy now</a>
36	<a href="#">973950803000</a> Bolt, hexagon (fj1)	<a href="#">Buy now</a>
37	<a href="#">929900860000</a> Washer, plain (663)	<a href="#">Buy now</a>
38	<a href="#">985800401000</a> Screw, pan head (e56)	<a href="#">Buy now</a>
39	<a href="#">985800400600</a> Screw, pan head (7h3)	<a href="#">Buy now</a>
40	<a href="#">985800501000</a> Screw, pan head(62x)	<a href="#">Buy now</a>
41	<a href="#">985800301400</a> Screw, pan head (n151)	<a href="#">Buy now</a>
42	<a href="#">703441891000</a> Screw	<a href="#">Buy now</a>
43	<a href="#">953800660000</a> Nut(661)	<a href="#">Buy now</a>
44	<a href="#">703482931000</a> Spacer, remote control	<a href="#">Buy now</a>
45	<a href="#">701482870000</a> Washer 1	<a href="#">Buy now</a>
46	<a href="#">703482150000</a> Graphic	<a href="#">Buy now</a>
48	<a href="#">703825101000</a> Main switch assembly	<a href="#">Buy now</a>

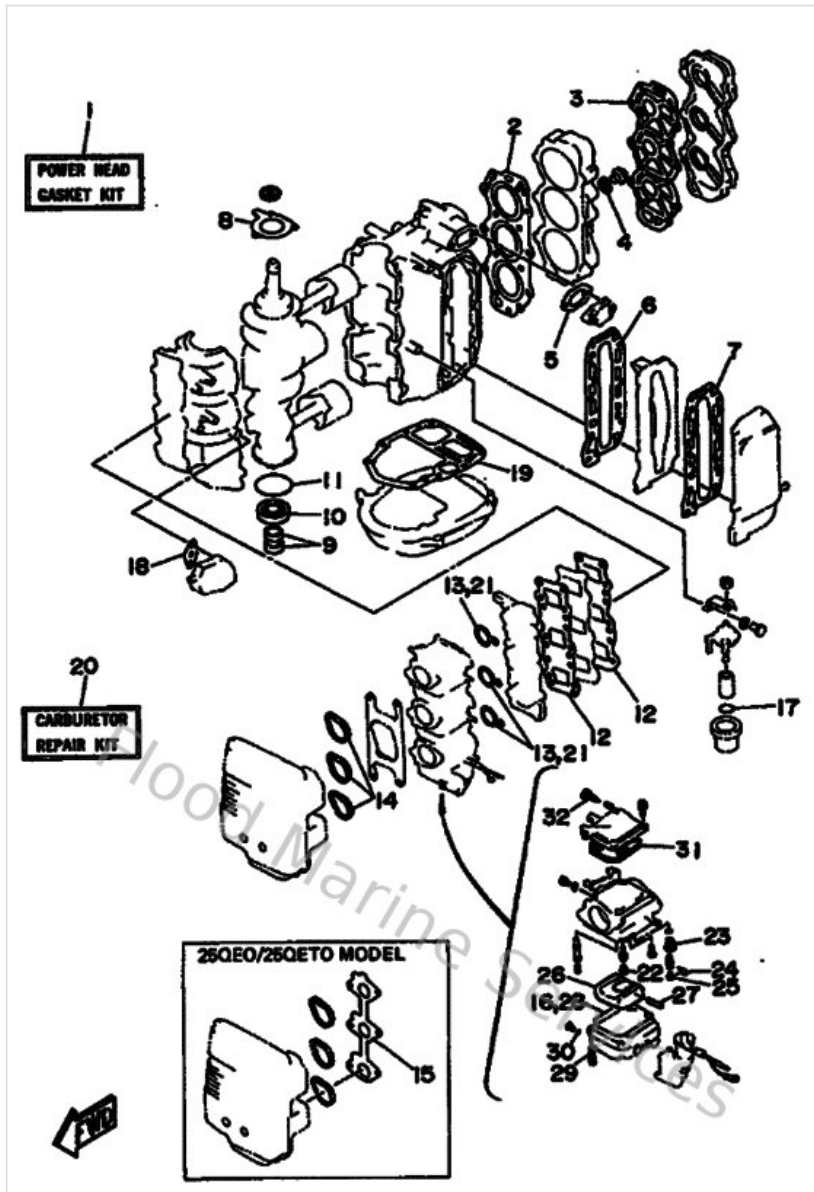


## Remote Control Assy 2



Ref	Part	
49	<a href="#">6K1825740000</a> Switch, choke	<a href="#">Buy now</a>
50	<a href="#">703825310000</a> Wire, lead	<a href="#">Buy now</a>
51	<a href="#">688825750100</a> Engine stop switch assembly	<a href="#">Buy now</a>
52	<a href="#">682825560000</a> Lanyard, stop switch	<a href="#">Buy now</a>
53	<a href="#">6888258A2000</a> 10p main harness mec 2m (6ft)	<a href="#">Buy now</a>
54	<a href="#">703825400000</a> Neutral switch assembly	<a href="#">Buy now</a>
55	<a href="#">703833830100</a> Buzzer	<a href="#">Buy now</a>
56	<a href="#">703482840000</a> Grommet	<a href="#">Buy now</a>
57	<a href="#">904651316900</a> Band	<a href="#">Buy now</a>
58	<a href="#">80L263970000</a> Band	<a href="#">Buy now</a>
59	<a href="#">703825630100</a> Trim & tilt switch assembly	<a href="#">Buy now</a>
60	<a href="#">703482210000</a> Grip	<a href="#">Buy now</a>
61	<a href="#">702482870000</a> Washer 1	<a href="#">Buy now</a>

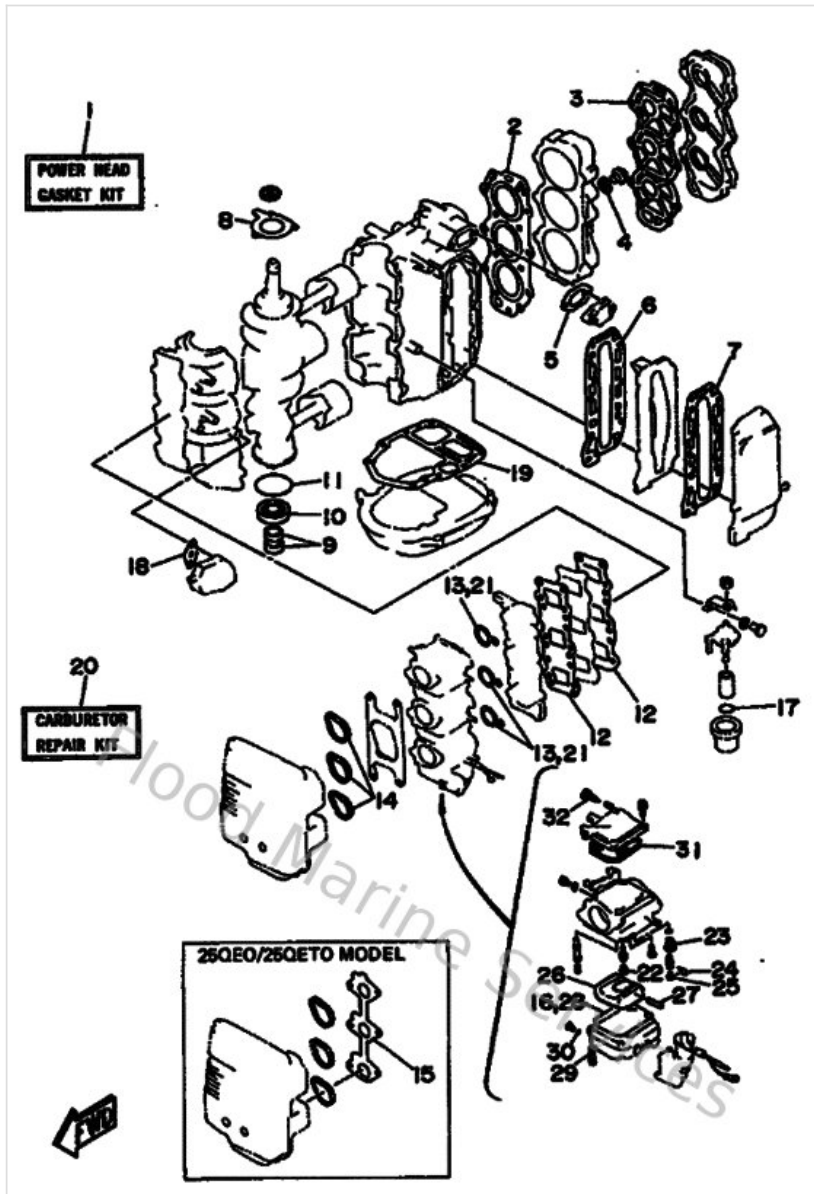
# Repair Kit 1



Ref	Part	
1	<a href="#">6H4W00010300</a> Power Head Gasket Kit	<a href="#">Buy now</a>
2	<a href="#">6H411181A000</a> Gasket, cylinder head 1	<a href="#">Buy now</a>
3	<a href="#">6H411193A100</a> Gasket, head cover 1	<a href="#">Buy now</a>
4	<a href="#">904301411500</a> Gasket (663)	<a href="#">Buy now</a>
5	<a href="#">61A12414A000</a> Gasket, cover	<a href="#">Buy now</a>
6	<a href="#">6H441112A000</a> Gasket, exhaust inner cover	<a href="#">Buy now</a>
7	<a href="#">6H441114A000</a> Gasket, exhaust outer cover	<a href="#">Buy now</a>
8	<a href="#">6H415369A100</a> Gasket, oil seal housing	<a href="#">Buy now</a>
9	<a href="#">9310116M3600</a> Oil seal(6a8)	<a href="#">Buy now</a>
10	<a href="#">9310225M2800</a> Oil seal(6h4)	<a href="#">Buy now</a>
11	<a href="#">9321057M0900</a> O-ring (683)	<a href="#">Buy now</a>
12	<a href="#">6H413621A100</a> Gasket, valve seat	<a href="#">Buy now</a>
13	<a href="#">6H4141980100</a> Gasket	<a href="#">Buy now</a>
14	<a href="#">6H3144570100</a> Seal	<a href="#">Buy now</a>
16	<a href="#">6H4149840000</a> Gasket, float chamber	<a href="#">Buy now</a>

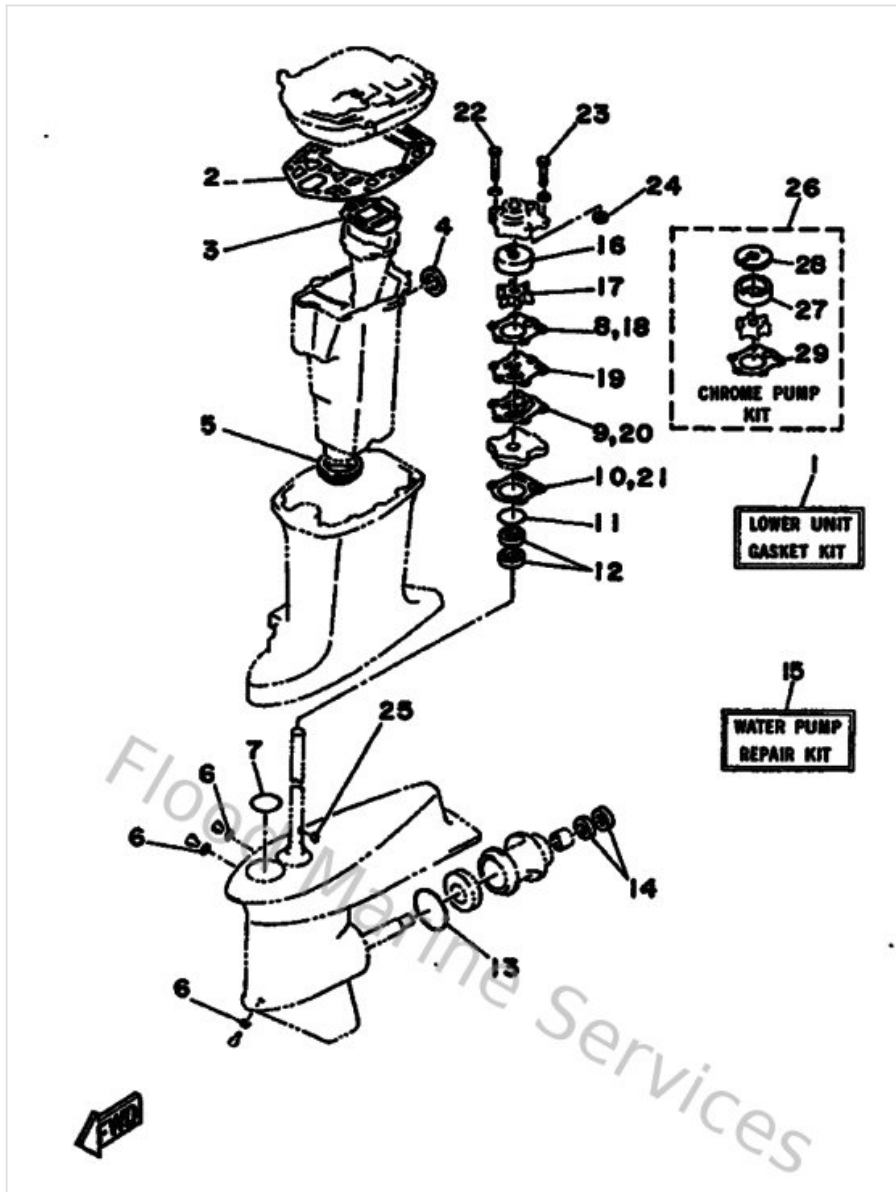


# Repair Kit 1



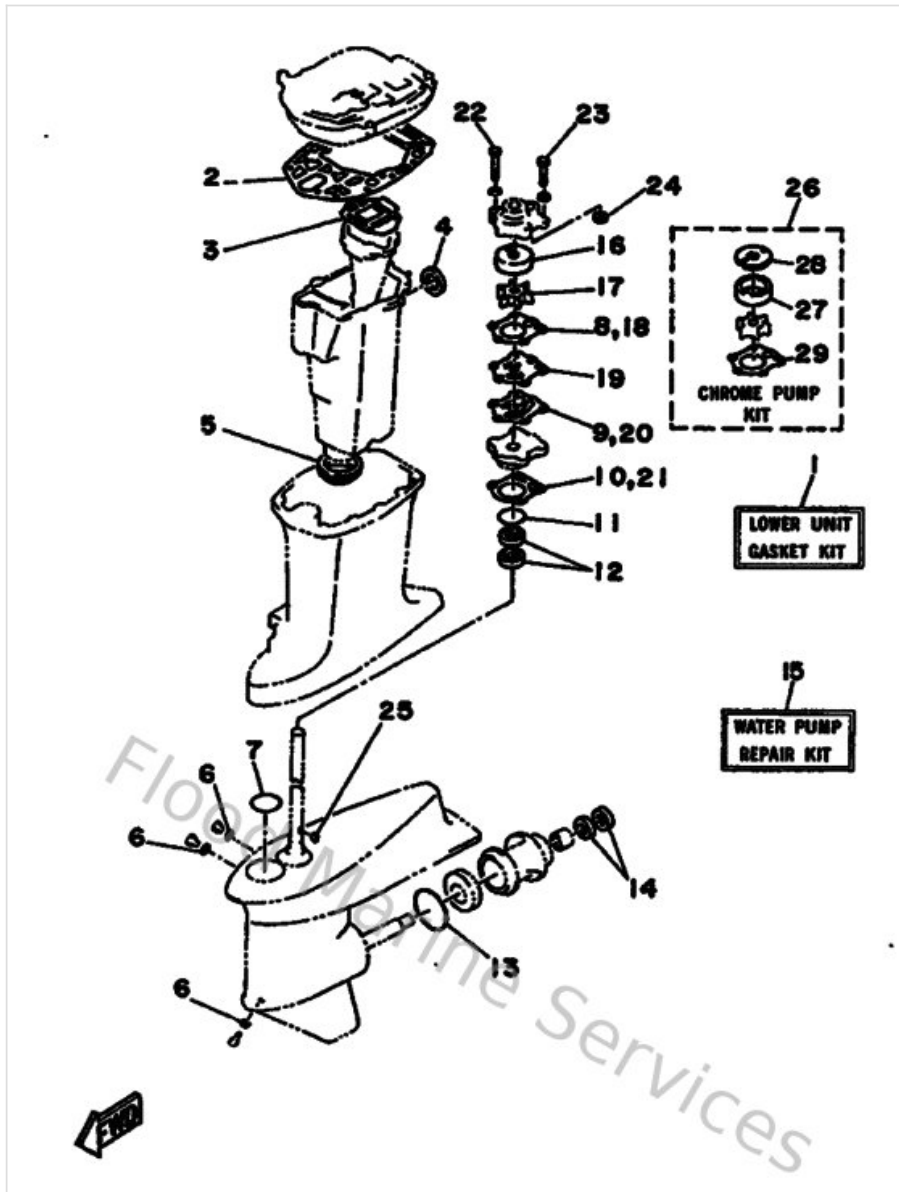
Ref	Part	
17	<a href="#">9321037M2500</a> O-ring (655)	<a href="#">Buy now</a>
18	<a href="#">65024431A000</a> Gasket, fuel pump	<a href="#">Buy now</a>
19	<a href="#">6H445113A000</a> Gasket, upper casing	<a href="#">Buy now</a>
20	<a href="#">6H4W00930200</a> Carburetor repair kit	<a href="#">Buy now</a>
22	<a href="#">676149660000</a> Rubber cap	<a href="#">Buy now</a>
23	<a href="#">6H3145900000</a> Needle valve assembly	<a href="#">Buy now</a>
24	<a href="#">663141590000</a> Clip	<a href="#">Buy now</a>
25	<a href="#">676141860000</a> Pin, valve	<a href="#">Buy now</a>
26	<a href="#">6H4149850000</a> Float	<a href="#">Buy now</a>
27	<a href="#">6H4145480000</a> Pin, float arm	<a href="#">Buy now</a>
29	<a href="#">979800411400</a> Screw, pan head(ga5)	<a href="#">Buy now</a>
30	<a href="#">932100423000</a> O-ring (371)	<a href="#">Buy now</a>
31	<a href="#">6H4141470000</a> O-ring	<a href="#">Buy now</a>
32	<a href="#">692149230000</a> Screw, adjusting	<a href="#">Buy now</a>

## Repair Kit 2



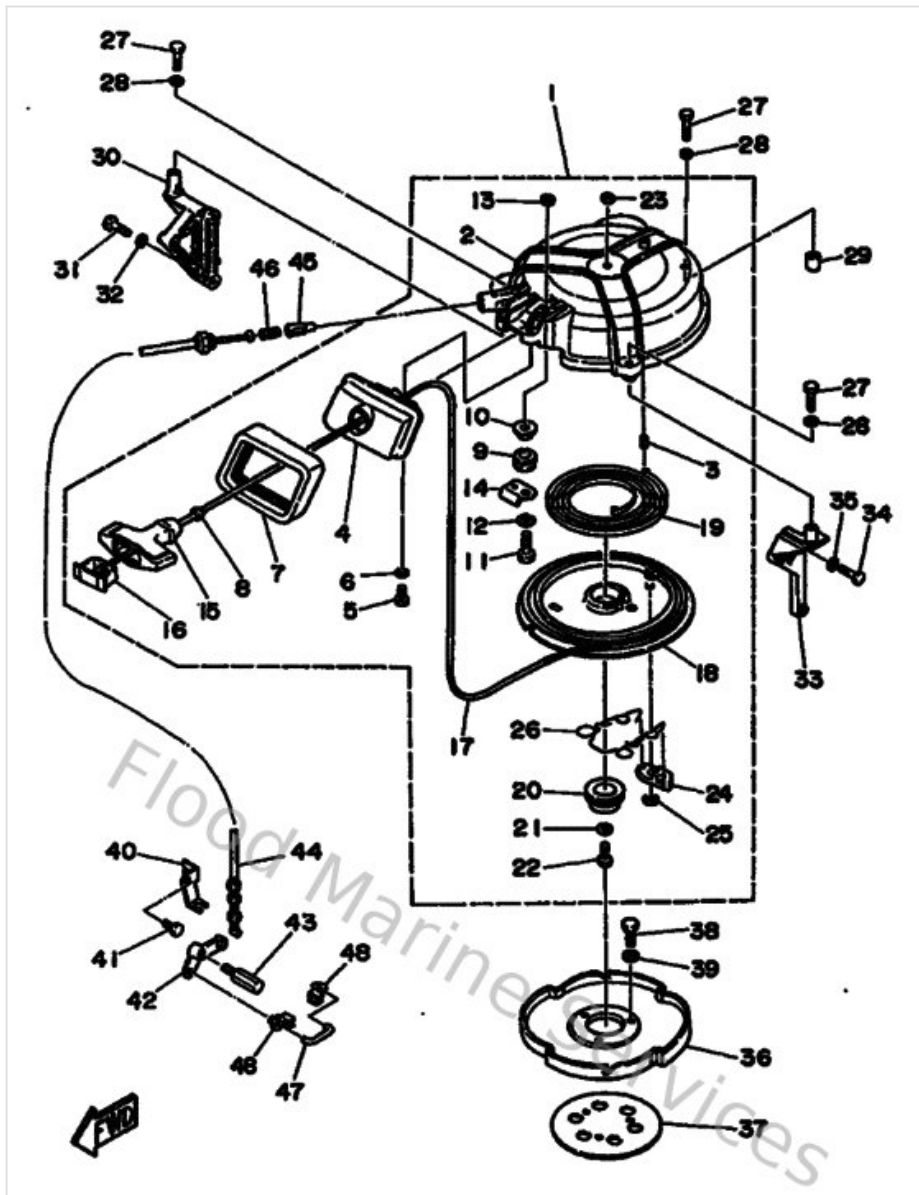
Ref	Part	
1	<a href="#">6H4W00012100</a> Lower unit gasket kit	<a href="#">Buy now</a>
2	<a href="#">6H445114A100</a> Gasket, upper casing	<a href="#">Buy now</a>
3	<a href="#">6H441134A000</a> Gasket, exhaust manifold	<a href="#">Buy now</a>
4	<a href="#">6H4411330000</a> Gasket, exhaust manifold 1	<a href="#">Buy now</a>
5	<a href="#">663451230000</a> Gasket, muffler	<a href="#">Buy now</a>
6	<a href="#">904300802000</a> Gasket	<a href="#">Buy now</a>
7	<a href="#">9321049ME000</a> O-ring (620)	<a href="#">Buy now</a>
8	<a href="#">66344315A000</a> Gasket,water pump 1	<a href="#">Buy now</a>
9	<a href="#">66344324A000</a> Gasket,cartridge outer plate	<a href="#">Buy now</a>
10	<a href="#">66344316A000</a> Gasket,water pump 2	<a href="#">Buy now</a>
11	<a href="#">932104104200</a> O-ring (132)	<a href="#">Buy now</a>
12	<a href="#">931012307000</a> Oil seal (663)	<a href="#">Buy now</a>
13	<a href="#">9321066M9800</a> O-ring(6h4)	<a href="#">Buy now</a>
14	<a href="#">931012206700</a> Oil seal (22x36x6-663)	<a href="#">Buy now</a>
15	<a href="#">6H4W00780100</a> Water pump repair kit	<a href="#">Buy now</a>

## Repair Kit 2



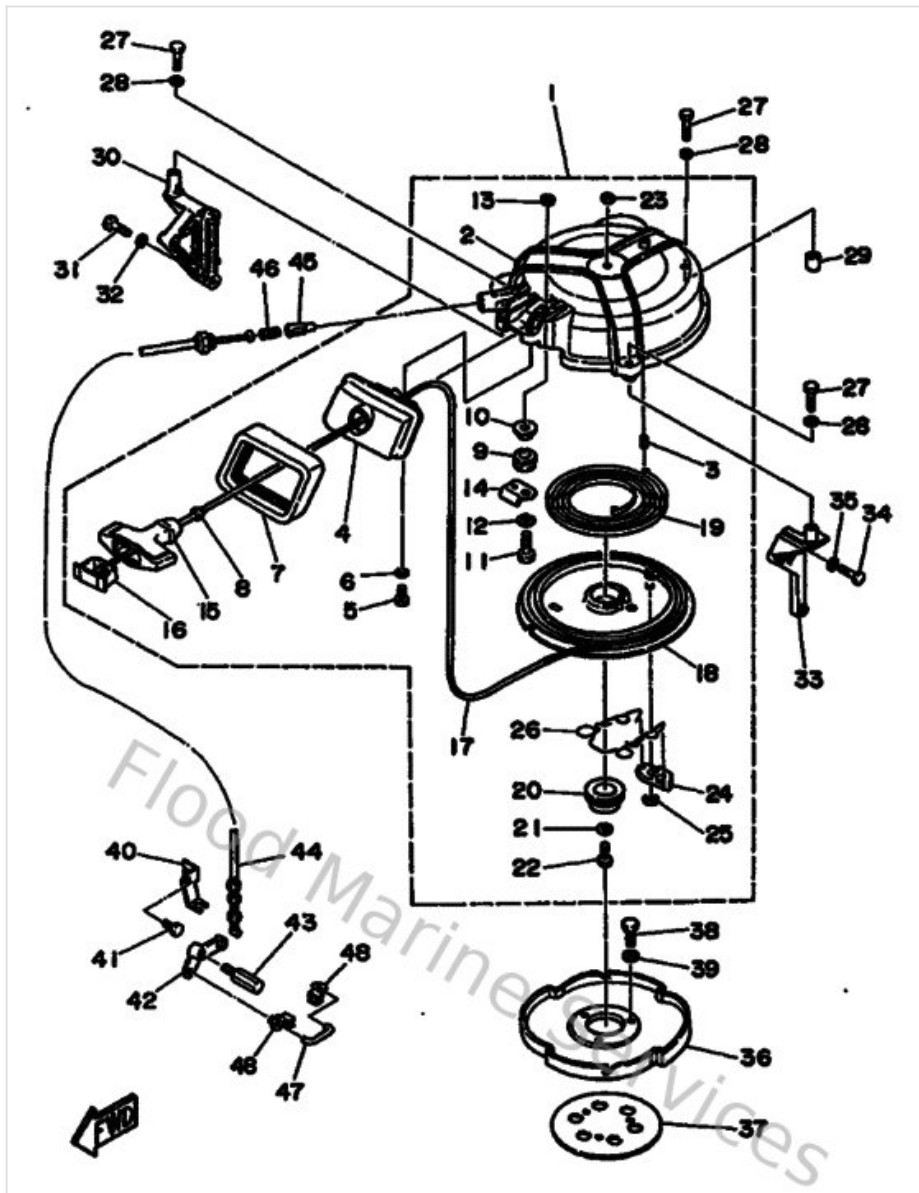
Ref	Part	
16	<a href="#">663443220000</a> Insert, cartridge	<a href="#">Buy now</a>
17	<a href="#">6H4443520200</a> Impeller	<a href="#">Buy now</a>
19	<a href="#">663443230000</a> Outer plate, cartridge	<a href="#">Buy now</a>
22	<a href="#">973950805500</a> Bolt, hexagon	<a href="#">Buy now</a>
23	<a href="#">970950804500</a> Bolt, hexagon	<a href="#">Buy now</a>
24	<a href="#">663443660000</a> Damper, water seal 2	<a href="#">Buy now</a>
25	<a href="#">902800302400</a> Key, woodruff(662)	<a href="#">Buy now</a>
26	<a href="#">6H4W00780A00</a> Chrome pump kit	<a href="#">Buy now</a>
27	<a href="#">670443220100</a> Insert, cartridge	<a href="#">Buy now</a>
28	<a href="#">670443210000</a> Inner plate, cartridge	<a href="#">Buy now</a>
29	<a href="#">670443230000</a> Outer plate, cartridge	<a href="#">Buy now</a>

# Starter



Ref	Part	
1	<a href="#">6H4157100294</a> Starter Assembly	<a href="#">Buy now</a>
2	<a href="#">6H4157110294</a> Case, starter	<a href="#">Buy now</a>
3	<a href="#">916904001800</a> Pin spring(664)	<a href="#">Buy now</a>
4	<a href="#">6H4157580094</a> Guide, Rope	<a href="#">Buy now</a>
5	<a href="#">970950601600</a> Bolt, hexagon deep recess	<a href="#">Buy now</a>
6	<a href="#">929900660000</a> Washer, plain (646)	<a href="#">Buy now</a>
7	<a href="#">6H4157620000</a> Seal, rubber 2	<a href="#">Buy now</a>
8	<a href="#">6A0157890000</a> Damper	<a href="#">Buy now</a>
9	<a href="#">6F5157520000</a> Roller, wire	<a href="#">Buy now</a>
10	<a href="#">9038706M6900</a> Collar (688)	<a href="#">Buy now</a>
11	<a href="#">970800603000</a> Bolt(jf7)	<a href="#">Buy now</a>
13	<a href="#">953800660000</a> Nut(661)	<a href="#">Buy now</a>
14	<a href="#">6H4157870100</a> Stay	<a href="#">Buy now</a>
15	<a href="#">689157550100</a> Handle, starter	<a href="#">Buy now</a>
16	<a href="#">6F5157790200</a> Cover	<a href="#">Buy now</a>

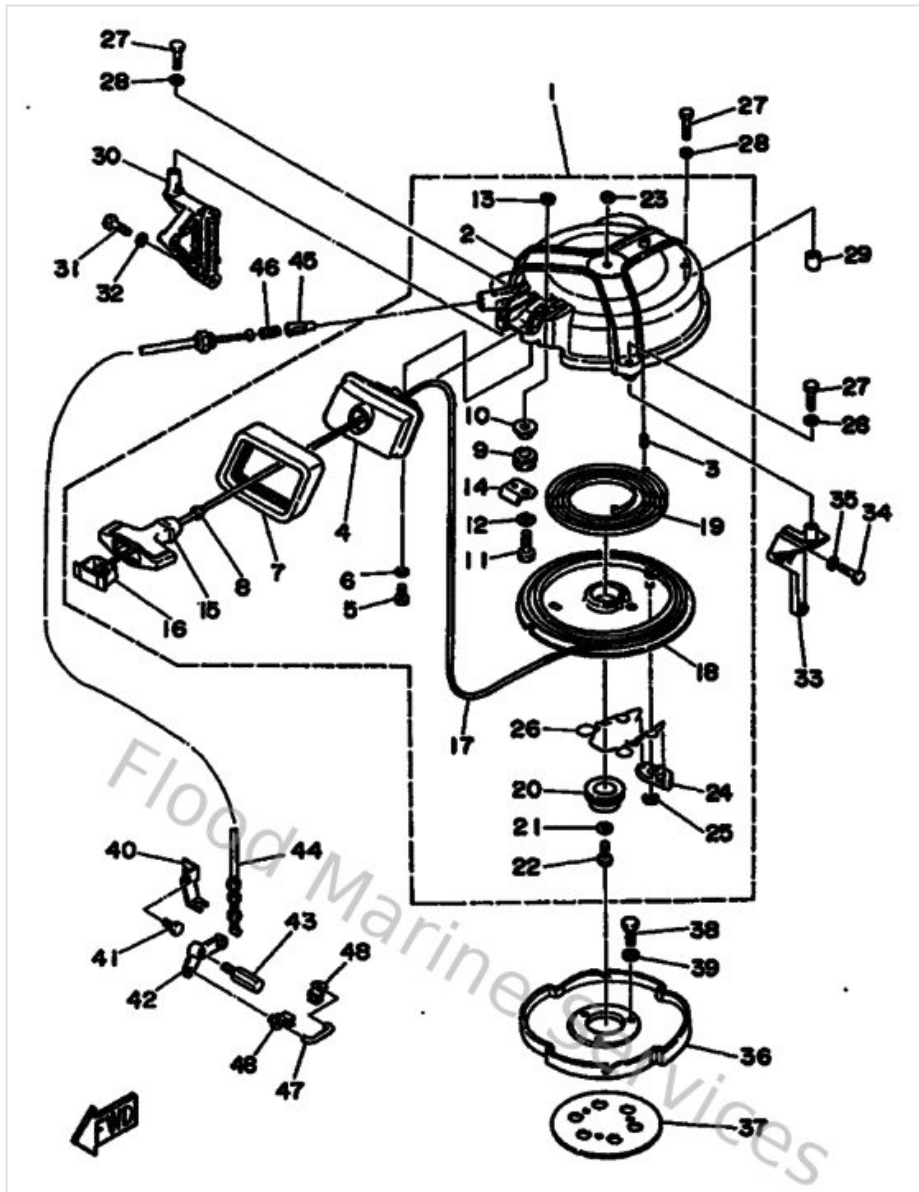
# Starter



Ref	Part	
18	<a href="#">6H4157140000</a> Drum, sheave	<a href="#">Buy now</a>
19	<a href="#">905100800200</a> Spring spiral 656157130000	<a href="#">Buy now</a>
20	<a href="#">6H4157170100</a> Shaft, starter	<a href="#">Buy now</a>
21	<a href="#">902010606000</a> Washer, plate	<a href="#">Buy now</a>
22	<a href="#">973130602000</a> Bolt(7u8)	<a href="#">Buy now</a>
23	<a href="#">953030660000</a> Nut(661)	<a href="#">Buy now</a>
24	<a href="#">676157410300</a> Pawl, drive	<a href="#">Buy now</a>
25	<a href="#">9343006M0200</a> Circlip (689)	<a href="#">Buy now</a>
26	<a href="#">6H4157050000</a> Spring drive pawl assembly	<a href="#">Buy now</a>
27	<a href="#">970130603500</a> Bolt(3rv)	<a href="#">Buy now</a>
29	<a href="#">995301001400</a> Pin, dowel	<a href="#">Buy now</a>
30	<a href="#">6H4157710194</a> Stay 1	<a href="#">Buy now</a>
31	<a href="#">973130803000</a> Bolt	<a href="#">Buy now</a>
32	<a href="#">929900860000</a> Washer, plain (663)	<a href="#">Buy now</a>
33	<a href="#">6H4157720294</a> Stay 2	<a href="#">Buy now</a>

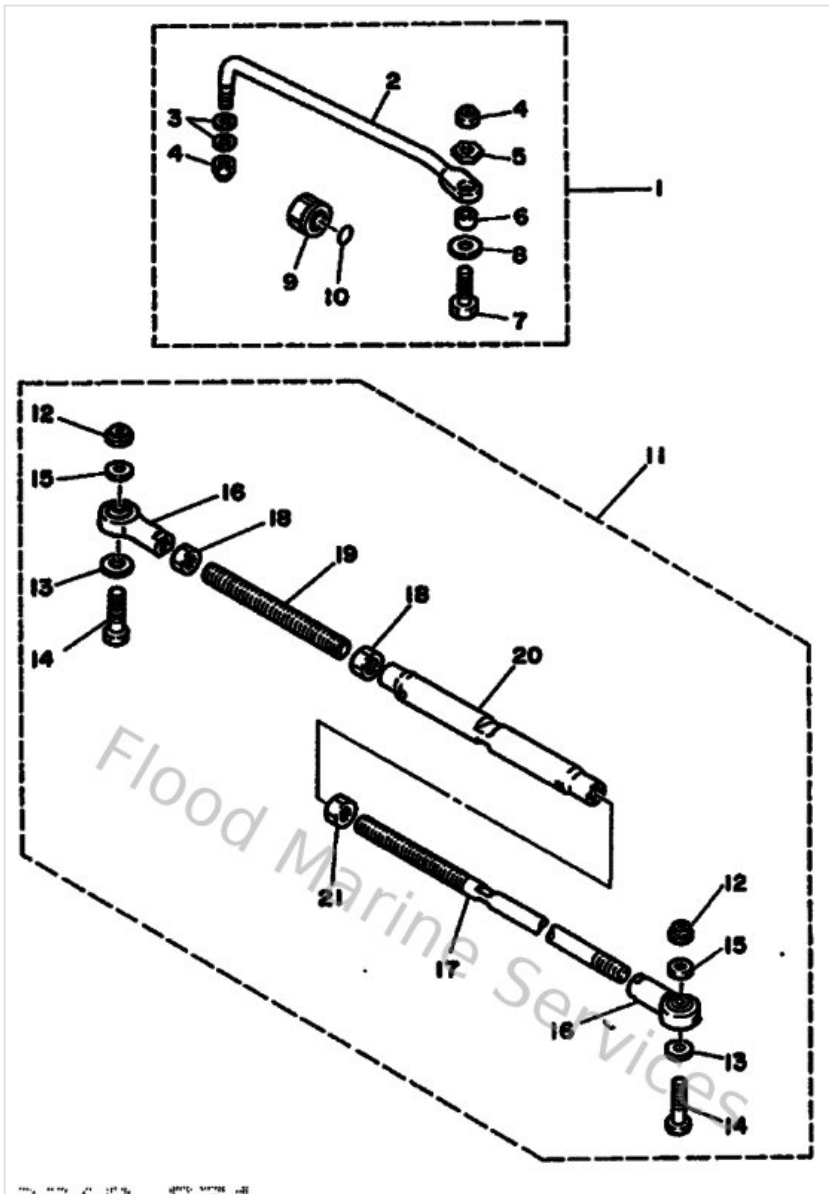


# Starter



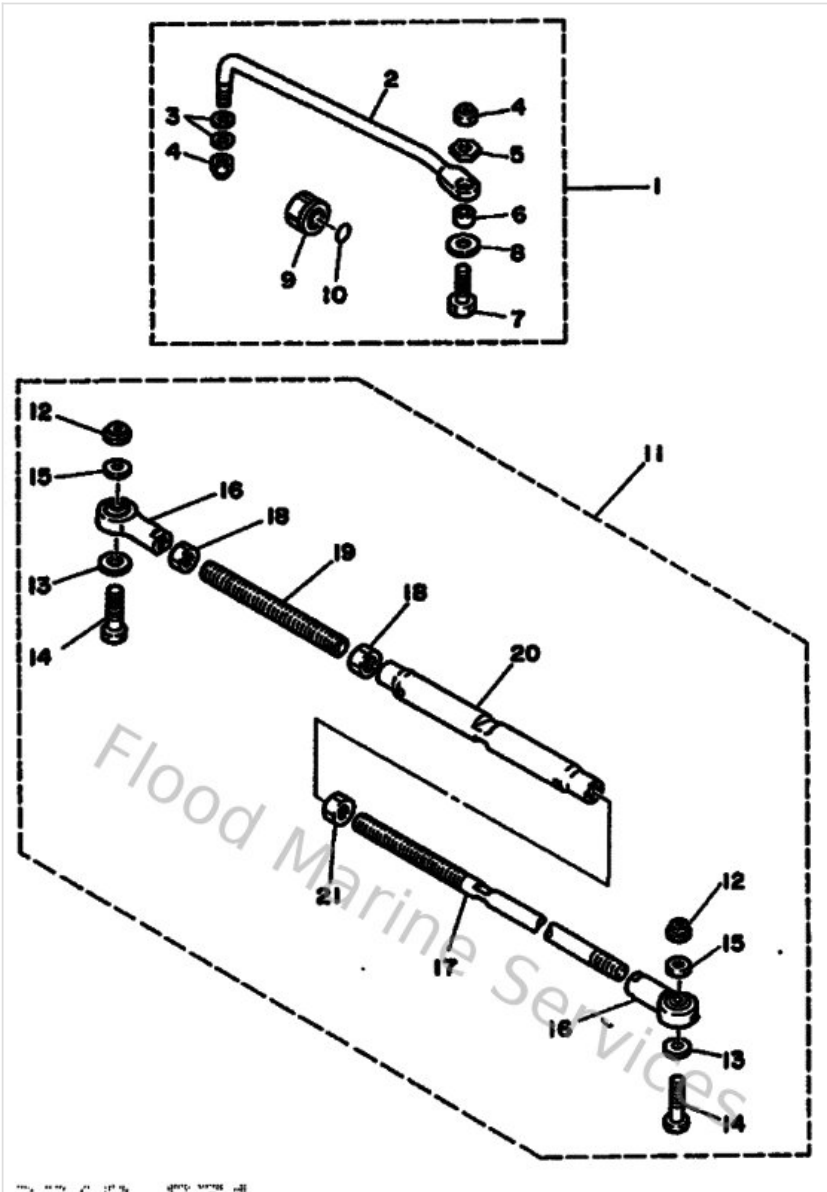
Ref	Part	
34	<a href="#">9010106M2700</a> Bolt	<a href="#">Buy now</a>
36	<a href="#">6H4157230194</a> Pulley, starter	<a href="#">Buy now</a>
37	<a href="#">6J881365A000</a> Gasket, hole cover	<a href="#">Buy now</a>
38	<a href="#">973130802000</a> Bolt(6td)	<a href="#">Buy now</a>
41	<a href="#">970800601200</a> Bolt(gh1)	<a href="#">Buy now</a>
43	<a href="#">9010906M0400</a> Bolt	<a href="#">Buy now</a>
44	<a href="#">6H4157701000</a> Cable Comp., Starter Stop	<a href="#">Buy now</a>
45	<a href="#">656157480000</a> Plunger, starter stop	<a href="#">Buy now</a>
46	<a href="#">905011022700</a> Spring, comprrhension(656)	<a href="#">Buy now</a>
48	<a href="#">661412620200</a> Joint, choke lever	<a href="#">Buy now</a>

# Steering Guide Attachment 1



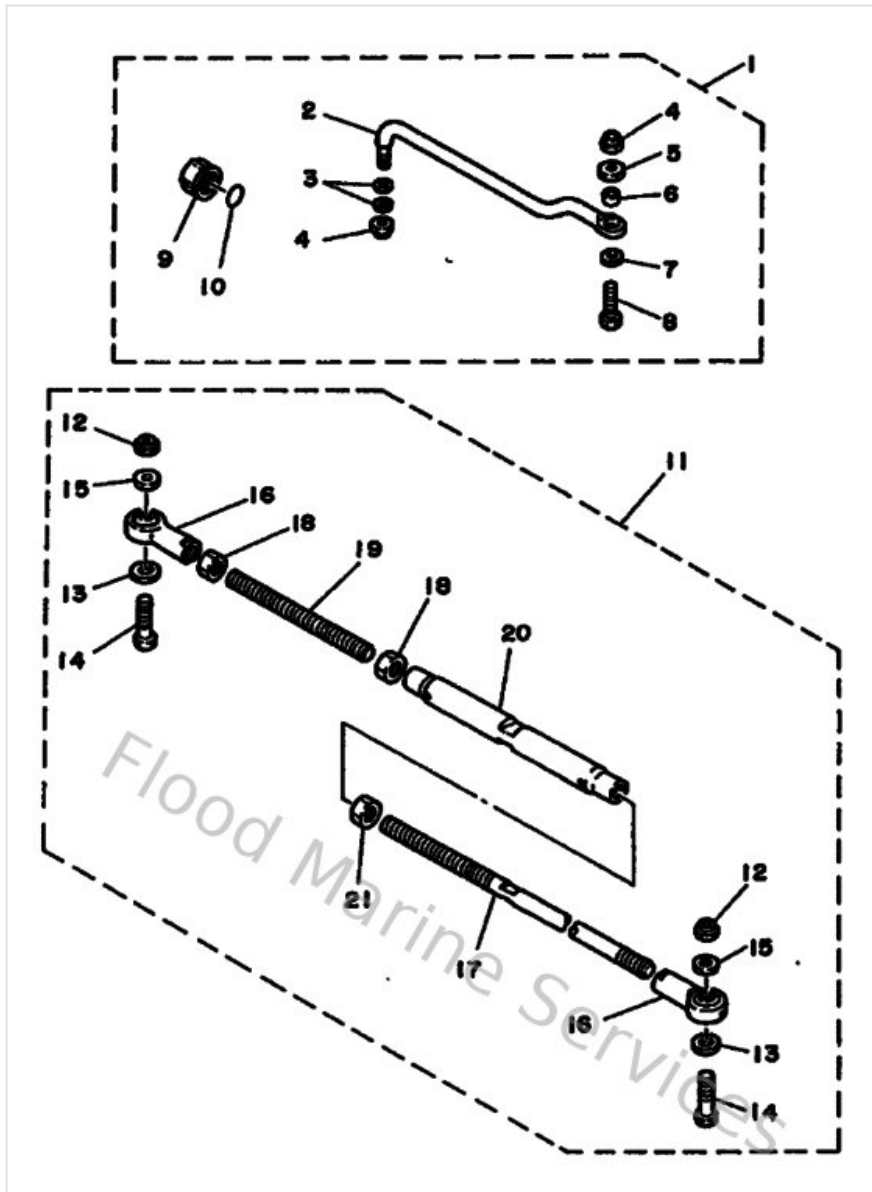
Ref	Part	
1	<a href="#">689613500200</a> Steering guide attachment kit	<a href="#">Buy now</a>
2	<a href="#">689613510100</a> Rod, steering	<a href="#">Buy now</a>
3	<a href="#">9020110M2000</a> Washer, plate (663)	<a href="#">Buy now</a>
4	<a href="#">9018509M0100</a> Nut, nylon (663)	<a href="#">Buy now</a>
5	<a href="#">9017009M0300</a> Nut (689)	<a href="#">Buy now</a>
6	<a href="#">9038710M4200</a> Coller (688)	<a href="#">Buy now</a>
7	<a href="#">6E5613550000</a> Bolt	<a href="#">Buy now</a>
8	<a href="#">9020110M6300</a> Washer, plate	<a href="#">Buy now</a>
9	<a href="#">6E5431450000</a> Cap, clamp bracket	<a href="#">Buy now</a>
10	<a href="#">932101627500</a> O-ring	<a href="#">Buy now</a>
11	<a href="#">688613010100</a> Twin kit	<a href="#">Buy now</a>
13	<a href="#">9020110M7600</a> Washer, plate (6e5)	<a href="#">Buy now</a>
14	<a href="#">9010109M7000</a> Bolt (6e5)	<a href="#">Buy now</a>
15	<a href="#">9017009M0500</a> Nut, hexagon (6e5)	<a href="#">Buy now</a>
16	<a href="#">6E5613030000</a> Steering axle comp.	<a href="#">Buy now</a>

# Steering Guide Attachment 1



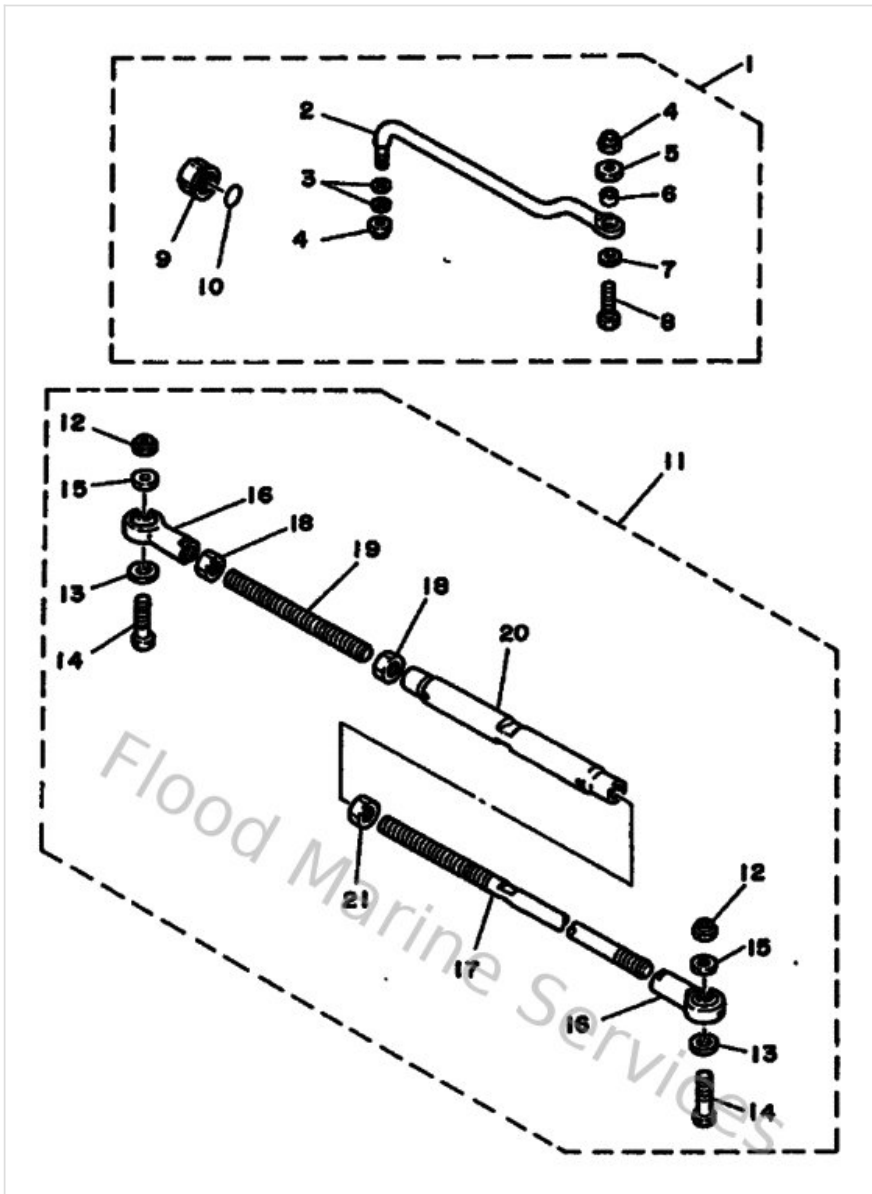
Ref	Part	
17	<a href="#">688613111100</a> Tie bar	<a href="#">Buy now</a>
18	<a href="#">953801470000</a> Nut (6e5)	<a href="#">Buy now</a>
19	<a href="#">6E5613150000</a> Tie bar, 2	<a href="#">Buy now</a>
20	<a href="#">6E5613130000</a> Adjuster	<a href="#">Buy now</a>
21	<a href="#">9017014M0600</a> Nut (6e5)	<a href="#">Buy now</a>

## Steering Guide Attachment 2



Ref	Part	
1	<a href="#">688613501000</a> Steering guide attachment kit	<a href="#">Buy now</a>
2	<a href="#">688613511000</a> Rod, steering link	<a href="#">Buy now</a>
3	<a href="#">9020110M2000</a> Washer, plate (663)	<a href="#">Buy now</a>
4	<a href="#">9018509M0100</a> Nut, nylon (663)	<a href="#">Buy now</a>
5	<a href="#">9017009M0300</a> Nut (689)	<a href="#">Buy now</a>
6	<a href="#">9038710M4200</a> Coller (688)	<a href="#">Buy now</a>
7	<a href="#">9020110M6300</a> Washer, plate	<a href="#">Buy now</a>
8	<a href="#">6E5613550000</a> Bolt	<a href="#">Buy now</a>
9	<a href="#">6E5431450000</a> Cap, clamp bracket	<a href="#">Buy now</a>
10	<a href="#">932101627500</a> O-ring	<a href="#">Buy now</a>
11	<a href="#">688613010100</a> Twin kit	<a href="#">Buy now</a>
13	<a href="#">9020110M7600</a> Washer, plate (6e5)	<a href="#">Buy now</a>
14	<a href="#">9010109M7000</a> Bolt (6e5)	<a href="#">Buy now</a>
15	<a href="#">9017009M0500</a> Nut, hexagon (6e5)	<a href="#">Buy now</a>
16	<a href="#">6E5613030000</a> Steering axle comp.	<a href="#">Buy now</a>

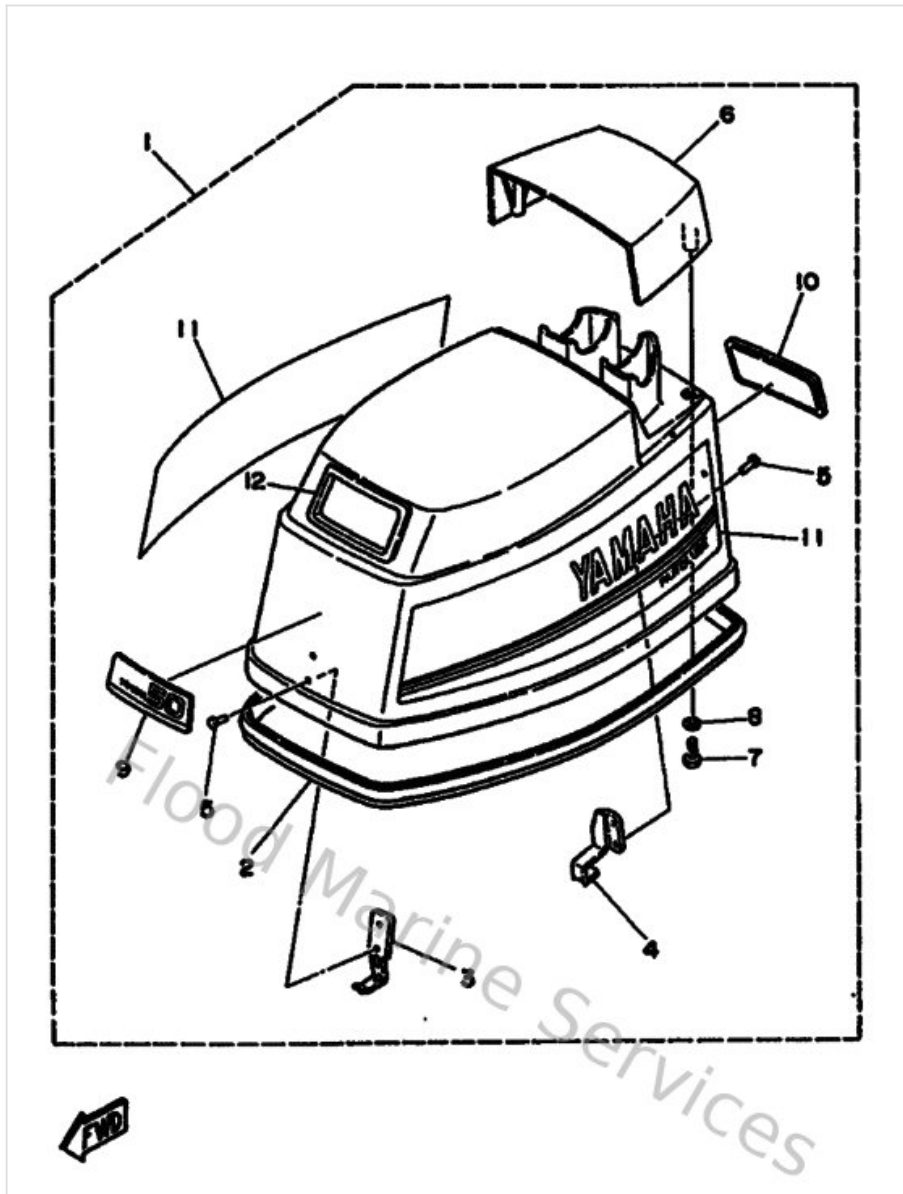
## Steering Guide Attachment 2



Ref	Part	
17	<a href="#">688613111100</a> Tie bar	<a href="#">Buy now</a>
18	<a href="#">953801470000</a> Nut (6e5)	<a href="#">Buy now</a>
19	<a href="#">6E5613150000</a> Tie bar, 2	<a href="#">Buy now</a>
20	<a href="#">6E5613130000</a> Adjuster	<a href="#">Buy now</a>
21	<a href="#">9017014M0600</a> Nut (6e5)	<a href="#">Buy now</a>

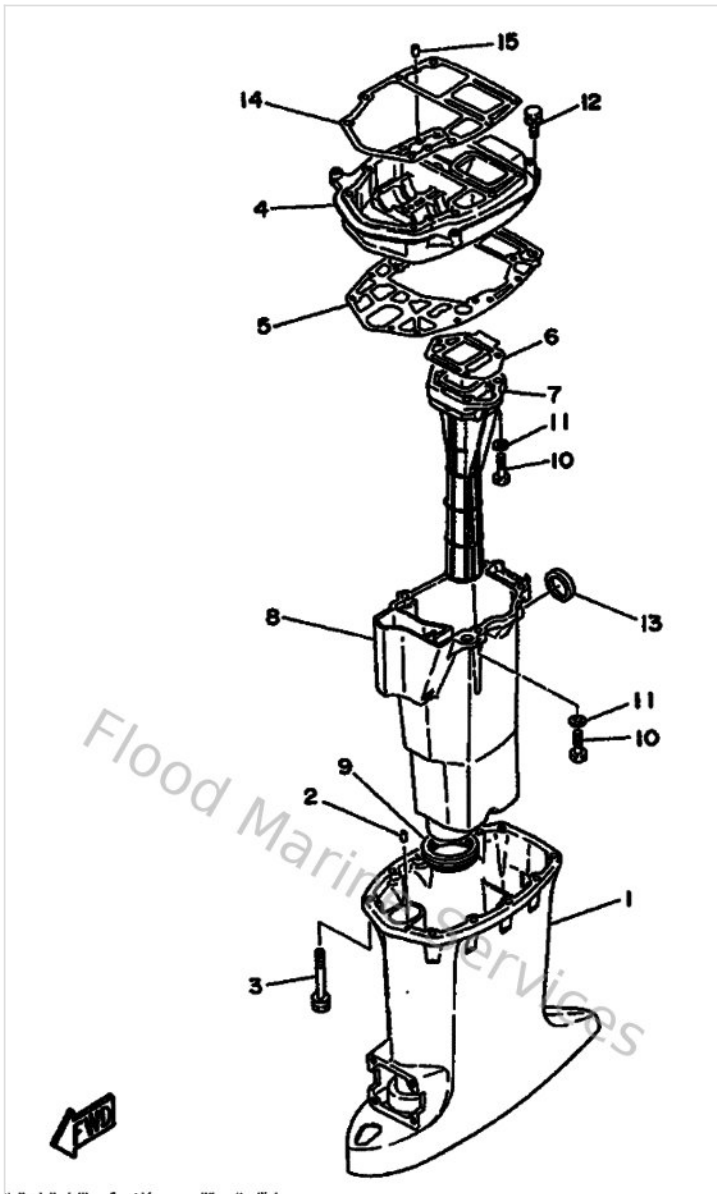


## Top Cowling



Ref	Part	
2	<a href="#">6H4426150000</a> Seal	<a href="#">Buy now</a>
3	<a href="#">6H4426510000</a> Hook 1	<a href="#">Buy now</a>
4	<a href="#">6H4426520000</a> Hook 2	<a href="#">Buy now</a>
5	<a href="#">9026604M0100</a> Rivet (689)	<a href="#">Buy now</a>
7	<a href="#">973950601600</a> Bolt, hexagon deep recess	<a href="#">Buy now</a>
8	<a href="#">929900660000</a> Washer, plain (646)	<a href="#">Buy now</a>
12	<a href="#">6H4157610000</a> Seal 1	<a href="#">Buy now</a>

# Upper Casing



Ref	Part	
3	<a href="#">9011908M8300</a> Bolt, with washer(697)	<a href="#">Buy now</a>
4	<a href="#">6H4411370094</a> Guide, Exhaust	<a href="#">Buy now</a>
5	<a href="#">6H445114A100</a> Gasket, upper casing	<a href="#">Buy now</a>
6	<a href="#">6H441134A000</a> Gasket, exhaust manifold	<a href="#">Buy now</a>
7	<a href="#">6H541131005B</a> Manifold, ext	<a href="#">Buy now</a>
8	<a href="#">6H41471110CA</a> JET (#62)	<a href="#">Buy now</a>
9	<a href="#">663451230000</a> Gasket, muffler	<a href="#">Buy now</a>
10	<a href="#">973950803000</a> Bolt, hexagon (fj1)	<a href="#">Buy now</a>
11	<a href="#">929900860000</a> Washer, plain (663)	<a href="#">Buy now</a>
12	<a href="#">970800803000</a> Bolt, hexagon (fj1)	<a href="#">Buy now</a>
13	<a href="#">6H4411330000</a> Gasket, exhaust manifold 1	<a href="#">Buy now</a>
14	<a href="#">6H445113A000</a> Gasket, upper casing	<a href="#">Buy now</a>
15	<a href="#">936061201900</a> Pin, dowel (614)	<a href="#">Buy now</a>

# Disclaimer

This document is provided for convenience only. It is **not** an official Yamaha publication and is **not supplied, endorsed, or approved** by Yamaha Motor Co., Ltd.

Reasonable efforts are made to keep information accurate; however diagrams, part references, supersessions, descriptions, and applicability may contain errors or omissions. Specifications and part availability may change without notice.

You are responsible for confirming the correct parts for your engine (including model code, year, serial range, and any superseded part numbers) before ordering or fitting.