



FLOOD MARINE SERVICES

# Yamaha 50HMHO 2014

Parts Manual

[www.floodmarine.co.uk](http://www.floodmarine.co.uk)

+44 2882 246 539

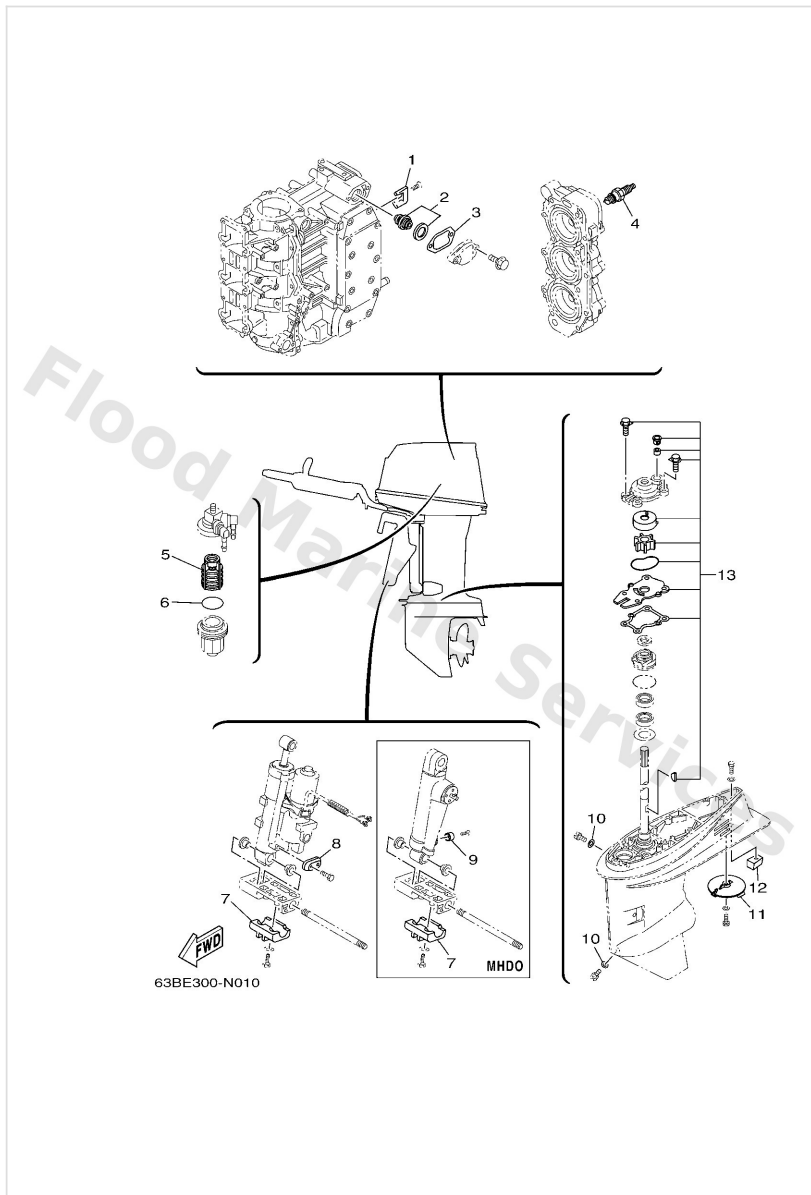
Authorised Yamaha Dealers



# Contents

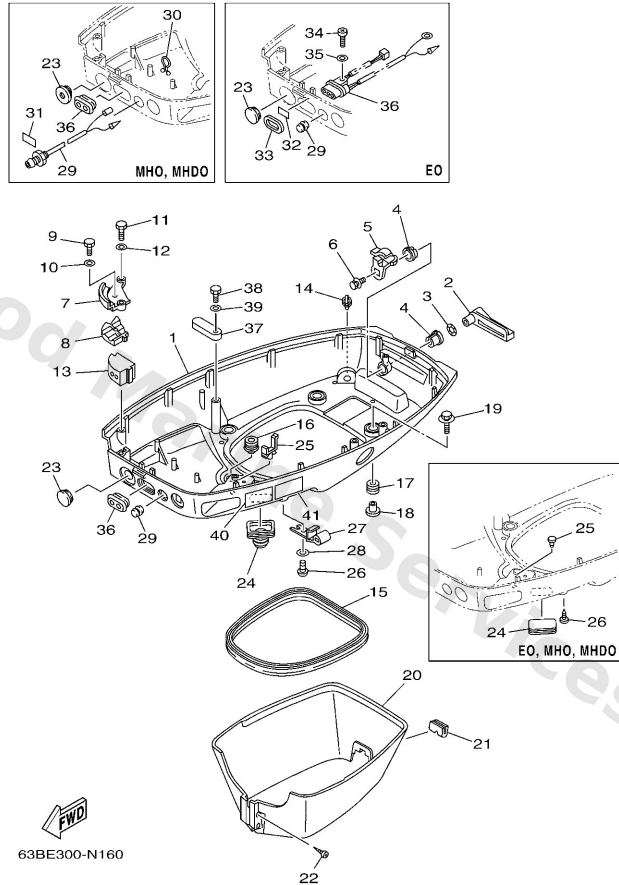
<b>SCHEDULED SERVICE PARTS</b> .....	3
<b>BOTTOM COWLING</b> .....	4
<b>BRACKET 1</b> .....	8
<b>BRACKET 2</b> .....	12
<b>BRACKET 3</b> .....	14
<b>BRACKET 4</b> .....	17
<b>BRACKET 5</b> .....	20
<b>CARBURETOR</b> .....	22
<b>CONTROL</b> .....	28
<b>CRANKSHAFT &amp; PISTON</b> .....	31
<b>CYLINDER &amp; CRANKCASE</b> .....	33
<b>ELECTRICAL 1</b> .....	36
<b>ELECTRICAL 2</b> .....	38
<b>ELECTRICAL 3</b> .....	41
<b>FUEL</b> .....	42
<b>FUEL TANK 1</b> .....	46
<b>FUEL TANK 2</b> .....	47
<b>GENERATOR</b> .....	48
<b>INTAKE</b> .....	50
<b>LOWER CASING &amp; DRIVE 1</b> .....	53
<b>LOWER CASING &amp; DRIVE 2</b> .....	59
<b>METER</b> .....	64
<b>OIL PUMP 1</b> .....	65
<b>OIL PUMP 2</b> .....	69
<b>OPTIONAL PARTS</b> .....	72
<b>POWER TRIM &amp; TILT ASSY 1</b> .....	73
<b>POWER TRIM &amp; TILT ASSY 2</b> .....	78
<b>REMOTE CONTROL ASSY 1</b> .....	80
<b>REMOTE CONTROL ASSY 2</b> .....	85
<b>REMOTE CONTROL BOX</b> .....	90
<b>REPAIR KIT 1</b> .....	91
<b>REPAIR KIT 2</b> .....	93
<b>STARTER</b> .....	95
<b>STARTING MOTOR</b> .....	99
<b>STEERING 1</b> .....	102
<b>STEERING 2</b> .....	106
<b>STEERING GUIDE</b> .....	107
<b>TOP COWLING</b> .....	108
<b>UPPER CASING</b> .....	110

# Scheduled Service Parts



Ref	Part	
1	<a href="#">6881132500</a> Anode	<a href="#">Buy now</a>
2	<a href="#">6E51241130</a> Thermostat	<a href="#">Buy now</a>
3	<a href="#">6J812414A0</a> Gasket, cover	<a href="#">Buy now</a>
4	<a href="#">9470200247</a> Plug, spark (br8hs-10) 50H	<a href="#">Buy now</a>
4	<a href="#">9470200271</a> Plug, spark (br7hs-10) 40V	<a href="#">Buy now</a>
5	<a href="#">61N2456300</a> Element, filter	<a href="#">Buy now</a>
6	<a href="#">9321032738</a> O-ring(1wg)	<a href="#">Buy now</a>
7	<a href="#">63D4525101</a> Anode	<a href="#">Buy now</a>
8	<a href="#">65W4525100</a> Anode	<a href="#">Buy now</a>
9	<a href="#">6634525100</a> Anode	<a href="#">Buy now</a>
10	<a href="#">9043008020</a> Gasket	<a href="#">Buy now</a>
11	<a href="#">6644537101</a> Tab-trim	<a href="#">Buy now</a>
12	<a href="#">67C4525100</a> Anode	<a href="#">Buy now</a>
13	<a href="#">63DW007801</a> Water pump repair kit	<a href="#">Buy now</a>

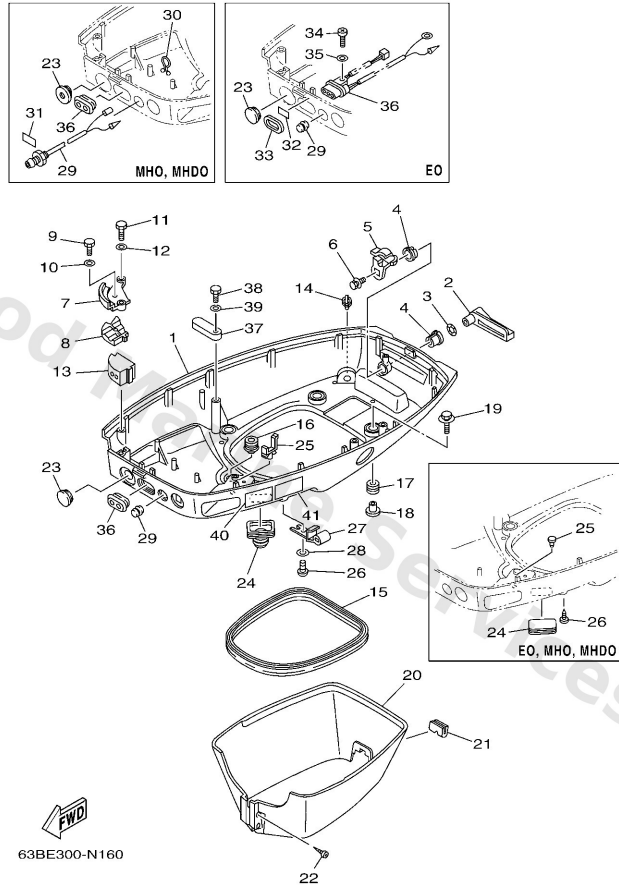
# Bottom Cowling



Ref	Part	
1	<a href="#">6H442711074D</a> Cowling, bottom 1	<a href="#">Buy now</a>
1	<a href="#">6H442711254D</a> Cowling, bottom	<a href="#">Buy now</a>
2	<a href="#">6H44281500</a> Lever, clamp 1	<a href="#">Buy now</a>
3	<a href="#">9020612052</a> Washer, wave (666)	<a href="#">Buy now</a>
4	<a href="#">9038612069</a> Bush(666)	<a href="#">Buy now</a>
5	<a href="#">6H44281600</a> Lever, clamp 2	<a href="#">Buy now</a>
6	<a href="#">9011906M73</a> Bolt(gh1)	<a href="#">Buy now</a>
7	<a href="#">6H4485311194</a> Bracket, remote control 1	<a href="#">Buy now</a>
8	<a href="#">6H4485321194</a> Bracket, remote control 2	<a href="#">Buy now</a>
9	<a href="#">9709505016</a> Bolt(6a1)	<a href="#">Buy now</a>
10	<a href="#">9299505600</a> Washer, plain (646)	<a href="#">Buy now</a>
11	<a href="#">9709506020</a> Bolt(7u8)	<a href="#">Buy now</a>
12	<a href="#">9299506600</a> Washer, plain (646)	<a href="#">Buy now</a>
13	<a href="#">6H44272400</a> Grommet	<a href="#">Buy now</a>
13	<a href="#">6H44272420</a> Grommet	<a href="#">Buy now</a>

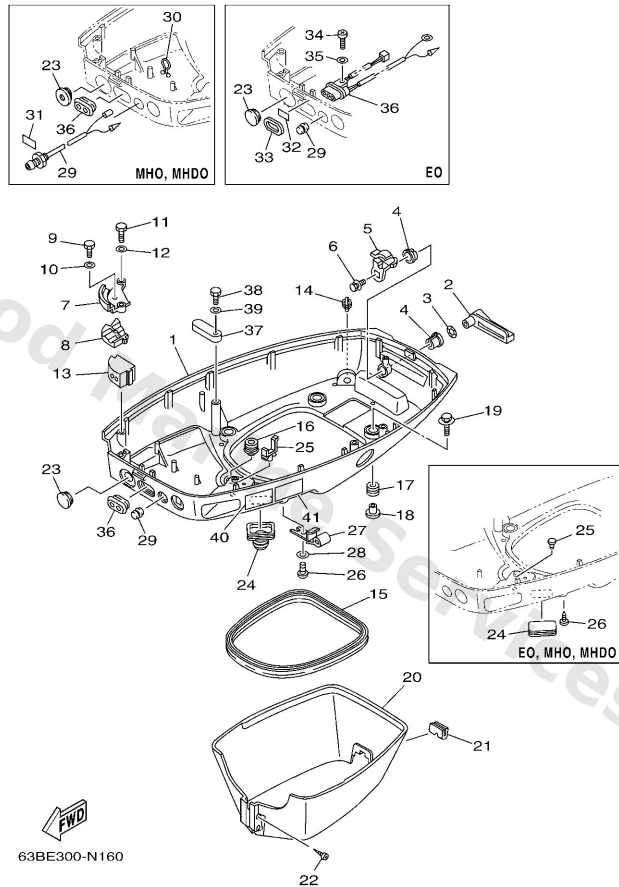


# Bottom Cowling



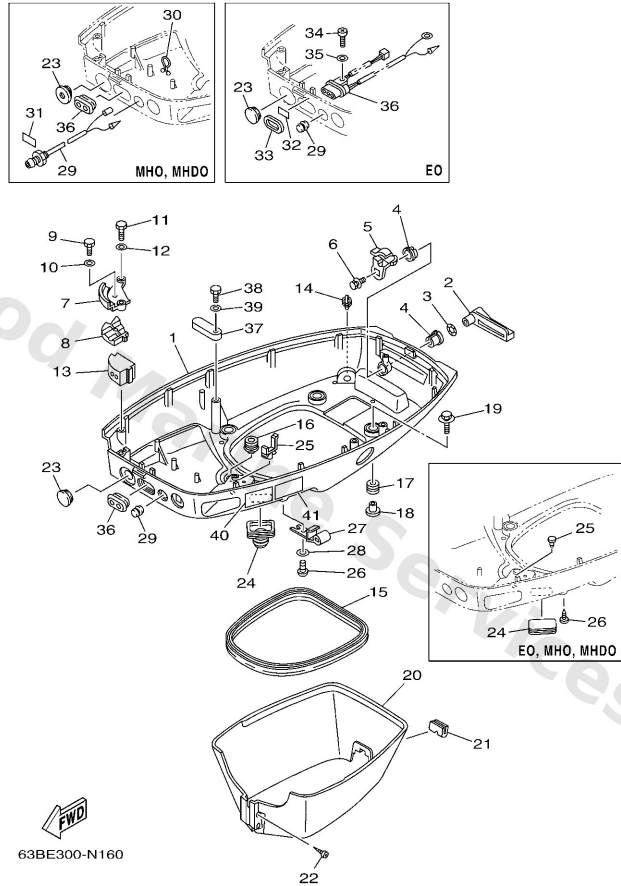
Ref	Part	
13	<a href="#">6H44272430</a> Grommet	<a href="#">Buy now</a>
14	<a href="#">6E54439100</a> Nipple, hose	<a href="#">Buy now</a>
15	<a href="#">6H44271600</a> Rubber seal 1	<a href="#">Buy now</a>
16	<a href="#">6E54272400</a> Grommet	<a href="#">Buy now</a>
17	<a href="#">9048009M21</a> Grommet (6e9)	<a href="#">Buy now</a>
18	<a href="#">9038706M41</a> Coller (6e9)	<a href="#">Buy now</a>
19	<a href="#">9011906M61</a> Bolt, with washer	<a href="#">Buy now</a>
20	<a href="#">63D42741004D</a> Apron	<a href="#">Buy now</a>
21	<a href="#">63D4271700</a> Rubber, seal 2	<a href="#">Buy now</a>
22	<a href="#">9778060525</a> Screw, tapping(65j)	<a href="#">Buy now</a>
23	<a href="#">6764272600</a> Grommet 3	<a href="#">Buy now</a>
23	<a href="#">6H44272640</a> Grommet	<a href="#">Buy now</a>
24	<a href="#">6884272610</a> Grommet	<a href="#">Buy now</a>
24	<a href="#">6H44272600</a> Grommet	<a href="#">Buy now</a>
25	<a href="#">7038211900</a> Cover, lead wire	<a href="#">Buy now</a>

# Bottom Cowling



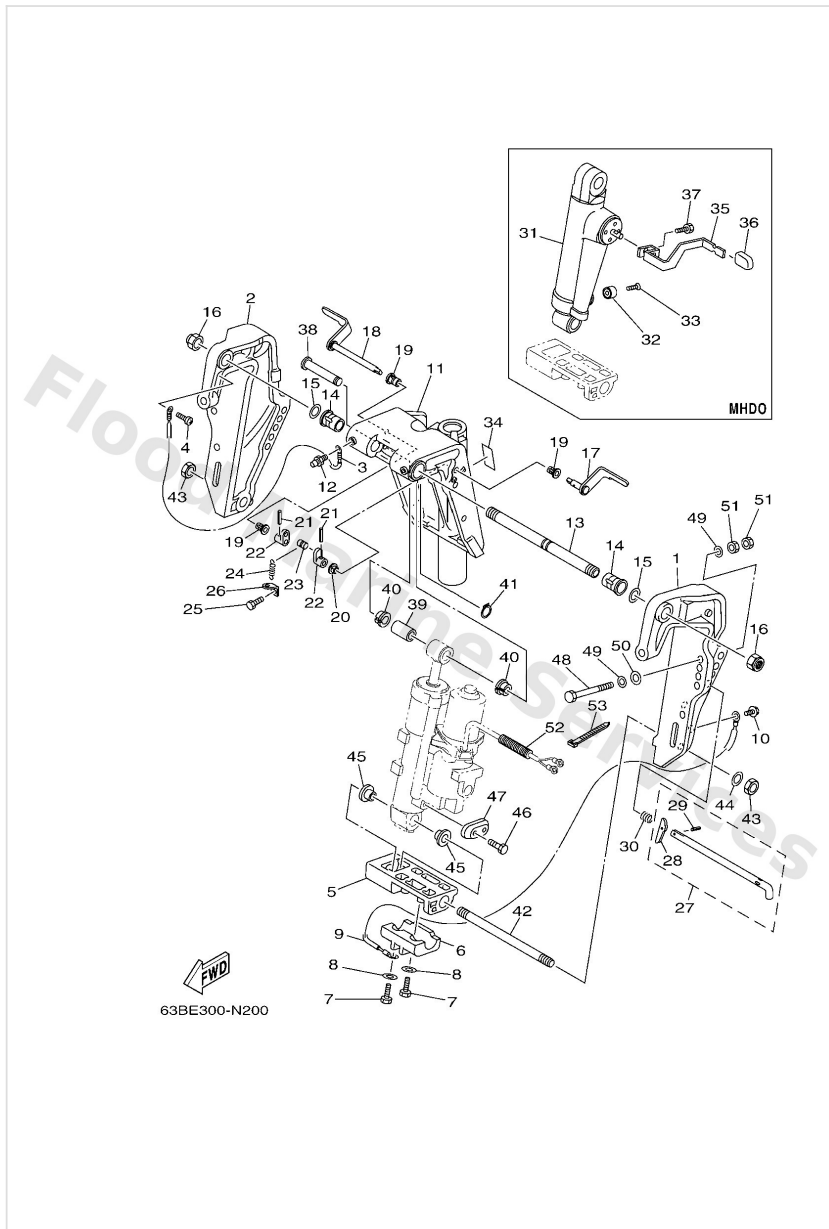
Ref	Part	
25	<a href="#">9046416021</a> Clamp (1j7)	<a href="#">Buy now</a>
26	<a href="#">9015706M01</a> Screw (6e5)	<a href="#">Buy now</a>
26	<a href="#">9033805M03</a> Plug (6h1)	<a href="#">Buy now</a>
27	<a href="#">6E52436701</a> Clamp, fuel pipe 2	<a href="#">Buy now</a>
28	<a href="#">9299006600</a> Washer, plain (646)	<a href="#">Buy now</a>
29	<a href="#">6H44272500</a> Grommet 2	<a href="#">Buy now</a>
29	<a href="#">6J88541000</a> Emergency signal light assembly	<a href="#">Buy now</a>
30	<a href="#">9046408M07</a> Clamp	<a href="#">Buy now</a>
31	<a href="#">6H48541510</a> Mark, signal lamp	<a href="#">Buy now</a>
32	<a href="#">63D8434200</a> Seat, emblem	<a href="#">Buy now</a>
33	<a href="#">6H48358900</a> Gasket	<a href="#">Buy now</a>
34	<a href="#">9788006014</a> Screw, pan head(6h2)	<a href="#">Buy now</a>
36	<a href="#">63D8430100</a> Pilot light assembly 1	<a href="#">Buy now</a>
36	<a href="#">6H34272700</a> Grommet	<a href="#">Buy now</a>
37	<a href="#">6E58258800</a> Plate	<a href="#">Buy now</a>

# Bottom Cowling



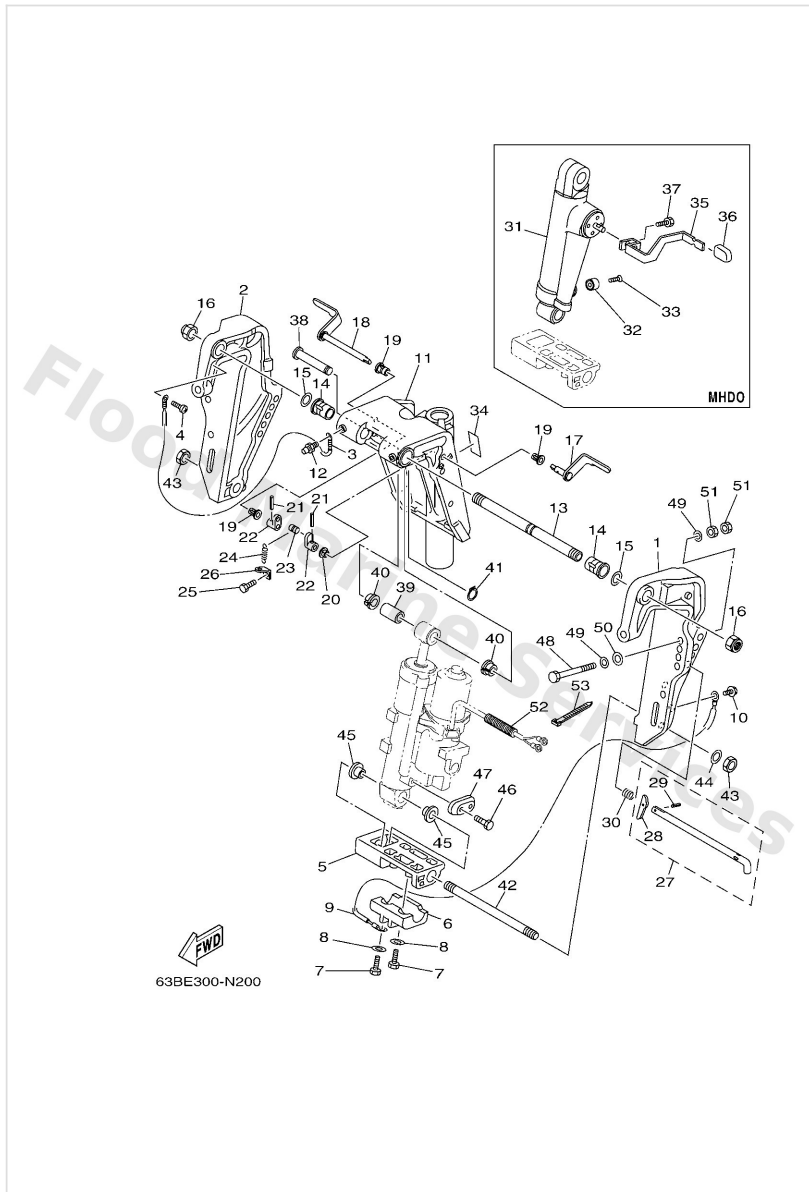
Ref	Part	
40	<a href="#">6AH4279440</a> Label, warning (ge)	<a href="#">Buy now</a>
41	<a href="#">6AH4279450</a> Label, warning (ge)	<a href="#">Buy now</a>

# Bracket 1



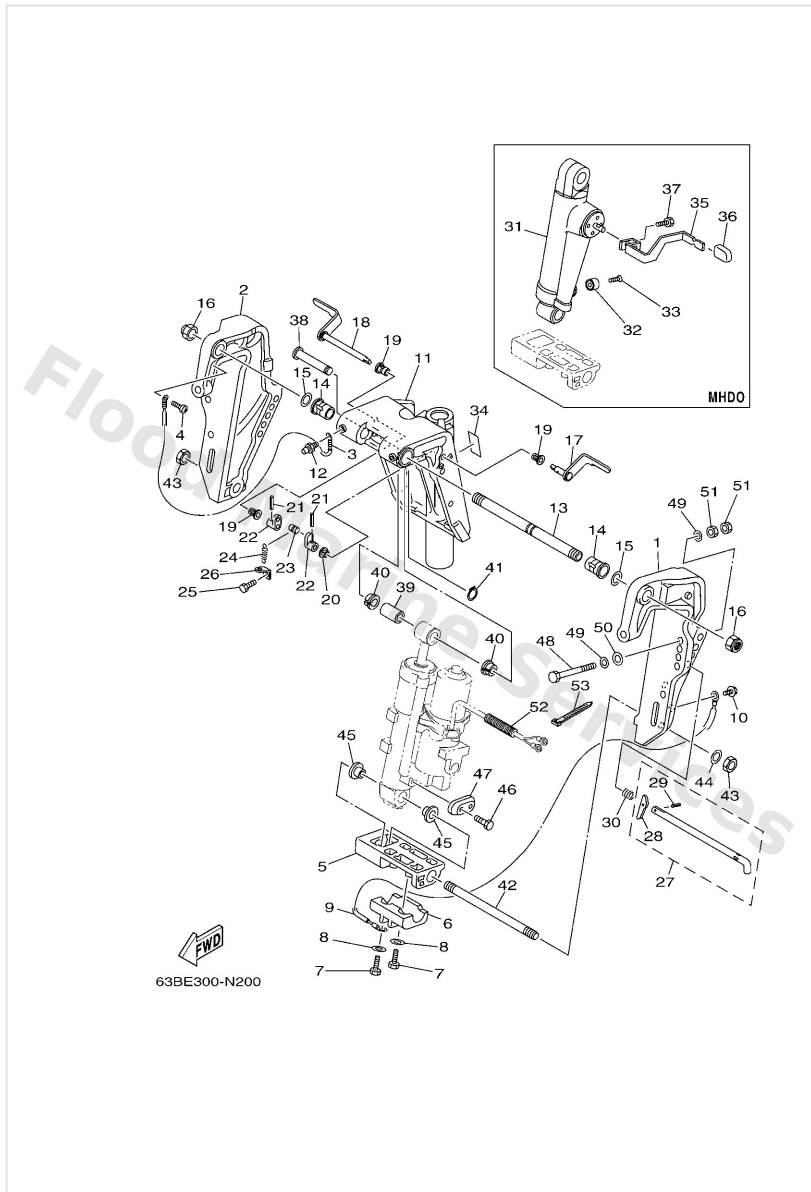
Ref	Part	
1	<a href="#">63D43111014D</a> Bracket, clamp 1	<a href="#">Buy now</a>
2	<a href="#">63D43112014D</a> Bracket, clamp 2	<a href="#">Buy now</a>
3	<a href="#">63D8214800</a> Wire, lead 5	<a href="#">Buy now</a>
4	<a href="#">9788506008</a> Screw, pan head(6a3)	<a href="#">Buy now</a>
5	<a href="#">63D43128014D</a> Spacer, clamp bracket	<a href="#">Buy now</a>
6	<a href="#">63D4525101</a> Anode	<a href="#">Buy now</a>
7	<a href="#">9709506025</a> Bolt	<a href="#">Buy now</a>
8	<a href="#">9299506600</a> Washer, plain (646)	<a href="#">Buy now</a>
9	<a href="#">6H18214800</a> Wire, lead	<a href="#">Buy now</a>
10	<a href="#">9759506510</a> Bolt, hexagon w/w deep recess	<a href="#">Buy now</a>
11	<a href="#">63D43311034D</a> Bracket, swivel 1 S(16.0")	<a href="#">Buy now</a>
11	<a href="#">63D43311134D</a> Bracket, swivel 1 L(21.0")	<a href="#">Buy now</a>
12	<a href="#">9370006M03</a> Nipple, grease(6a1)	<a href="#">Buy now</a>
13	<a href="#">63D4313101</a> Bolt, clamp bracket	<a href="#">Buy now</a>
14	<a href="#">9038622M15</a> Bushing (688)	<a href="#">Buy now</a>

# Bracket 1



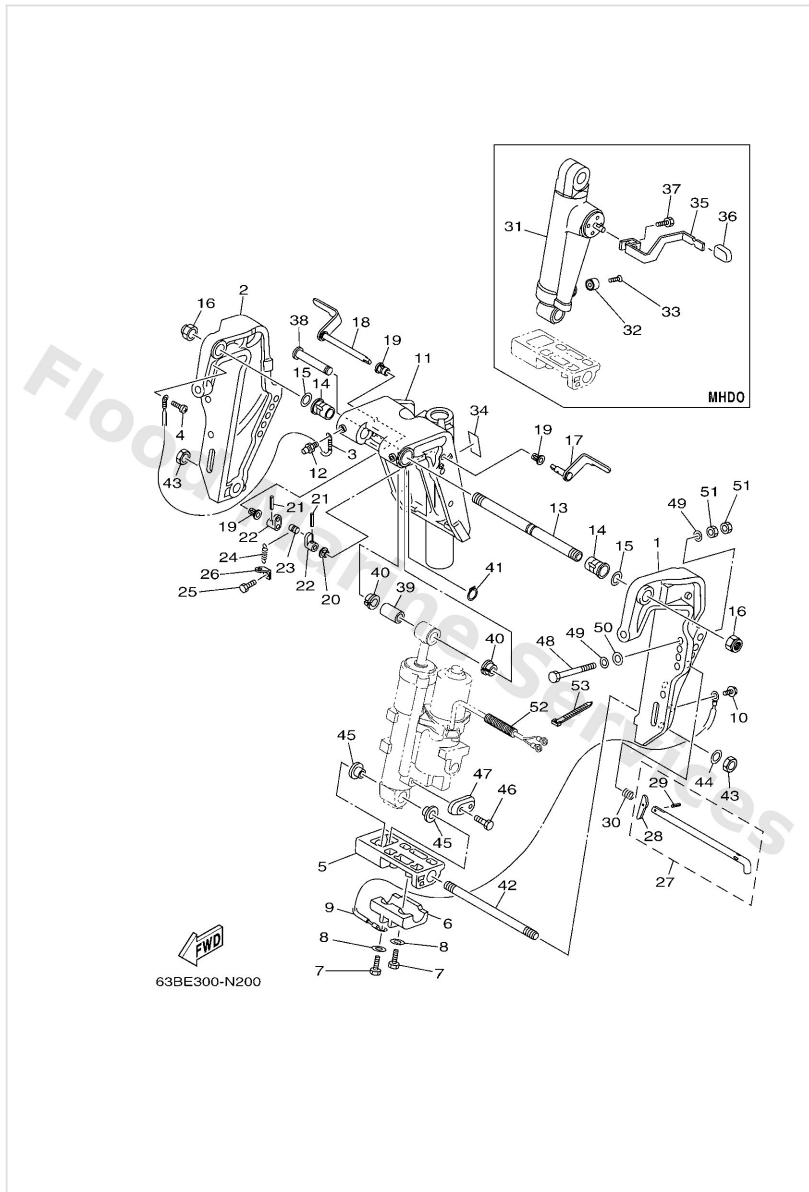
Ref	Part	
15	<a href="#">9020122M03</a> Washer, plate(64j)	<a href="#">Buy now</a>
16	<a href="#">9018522M11</a> Nut, self-locking	<a href="#">Buy now</a>
17	<a href="#">6H54318103</a> Lever, tilt stop 1	<a href="#">Buy now</a>
18	<a href="#">6H54318503</a> Lever, tilt stop 2	<a href="#">Buy now</a>
19	<a href="#">9038610M16</a> Bushing (688)	<a href="#">Buy now</a>
20	<a href="#">9038610025</a> Bushing (658)	<a href="#">Buy now</a>
21	<a href="#">9169030020</a> Pin, spring (6h4)	<a href="#">Buy now</a>
22	<a href="#">6G54314800</a> Collar, distance	<a href="#">Buy now</a>
23	<a href="#">9024906M19</a> Pin(6e5)	<a href="#">Buy now</a>
24	<a href="#">9050614M24</a> Spring, tension(6e5)	<a href="#">Buy now</a>
25	<a href="#">9709506010</a> Bolt	<a href="#">Buy now</a>
26	<a href="#">6G54314400</a> Hook, spring	<a href="#">Buy now</a>
27	<a href="#">6884316001</a> Tilt rod ass'y	<a href="#">Buy now</a>
28	<a href="#">6884316500</a> Stopper, tilt rod	<a href="#">Buy now</a>
29	<a href="#">9169030012</a> Pin, spring	<a href="#">Buy now</a>

# Bracket 1



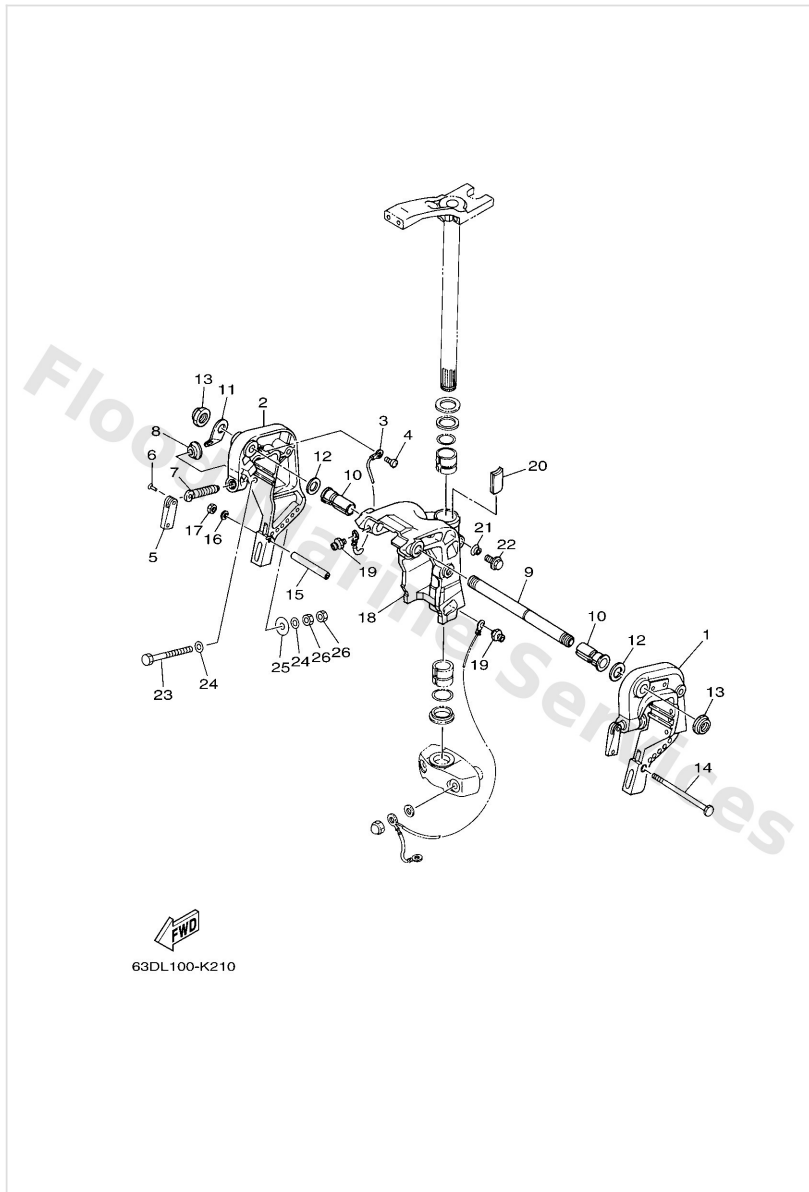
Ref	Part	
30	<a href="#">9050216M02</a> Spring, conical (688)	<a href="#">Buy now</a>
31	<a href="#">62X43107024D</a> Shock Absorber Sub-assembly	<a href="#">Buy now</a>
32	<a href="#">6634525100</a> Anode	<a href="#">Buy now</a>
33	<a href="#">9015206M01</a> Screw, countersunk	<a href="#">Buy now</a>
34	<a href="#">63D4369100</a> Indicator, tilt	<a href="#">Buy now</a>
35	<a href="#">63D4363100</a> Lever, tilt	<a href="#">Buy now</a>
36	<a href="#">6824331801</a> Cover	<a href="#">Buy now</a>
38	<a href="#">6E54312602</a> Pin, upper shock mount	<a href="#">Buy now</a>
39	<a href="#">9038618M92</a> Bush(62x)	<a href="#">Buy now</a>
40	<a href="#">9038618M35</a> Bush (688)	<a href="#">Buy now</a>
41	<a href="#">9341018M05</a> Circlip (6f2)	<a href="#">Buy now</a>
42	<a href="#">9011618M52</a> Bolt, stud(62x)	<a href="#">Buy now</a>
43	<a href="#">9017018M10</a> Nut (6h5)	<a href="#">Buy now</a>
44	<a href="#">9299518600</a> Washer(64j)	<a href="#">Buy now</a>
45	<a href="#">9038618M44</a> Bushing (6g5)	<a href="#">Buy now</a>

# Bracket 1



Ref	Part	
46	<a href="#">9010106020</a> Bolt	<a href="#">Buy now</a>
47	<a href="#">65W4525100</a> Anode	<a href="#">Buy now</a>
48	<a href="#">9010112M65</a> Bolt	<a href="#">Buy now</a>
49	<a href="#">9020112062</a> Washer, plate	<a href="#">Buy now</a>
50	<a href="#">9020112426</a> Washer, plate(663)	<a href="#">Buy now</a>
51	<a href="#">9538012600</a> Nut (707)	<a href="#">Buy now</a>
52	<a href="#">9044014M00</a> Pipe(6h4)	<a href="#">Buy now</a>
53	<a href="#">9046511M10</a> Clamp	<a href="#">Buy now</a>

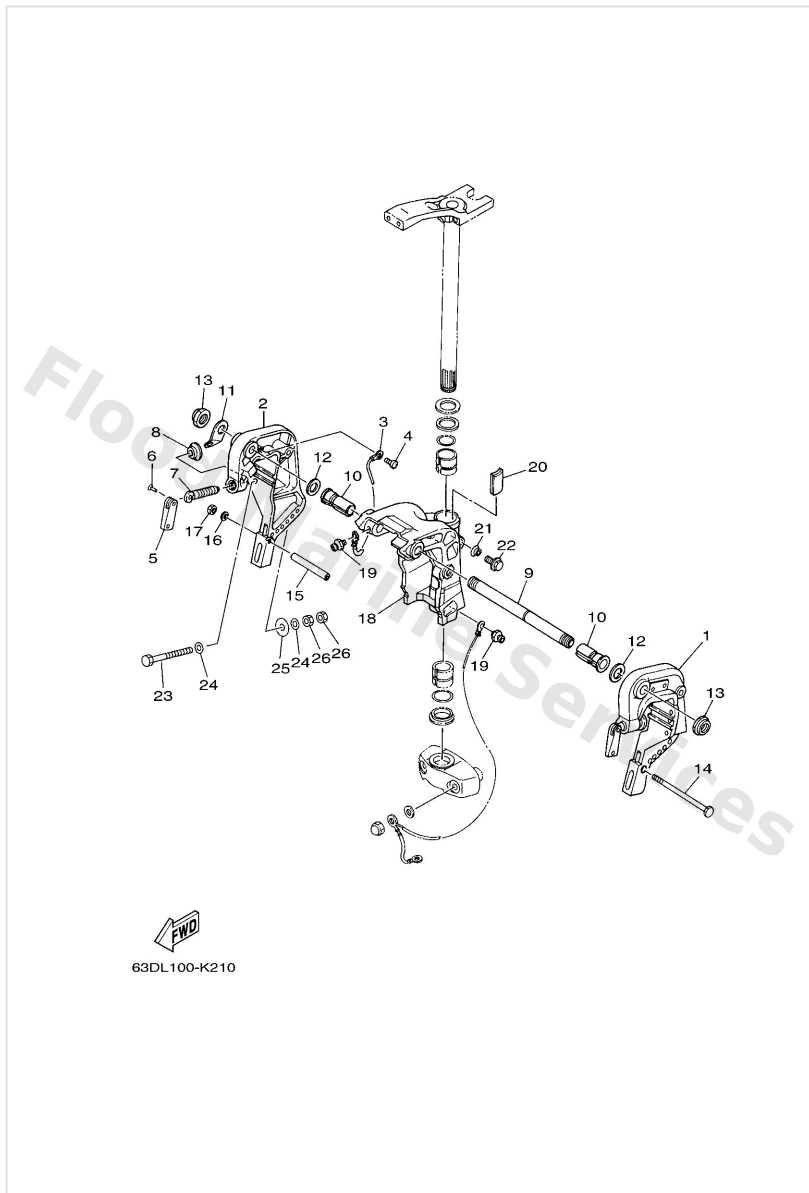
## Bracket 2



Ref	Part	
1	<a href="#">6H443111054D</a> Bracket, clamp 1	<a href="#">Buy now</a>
2	<a href="#">6H443112044D</a> Bracket, clamp 2	<a href="#">Buy now</a>
3	<a href="#">6E58214800</a> Wire, lead 5	<a href="#">Buy now</a>
4	<a href="#">9788506008</a> Screw, pan head(6a3)	<a href="#">Buy now</a>
5	<a href="#">6E04311801</a> Handle, transom clamp	<a href="#">Buy now</a>
6	<a href="#">9024304M01</a> Pin(6a1)	<a href="#">Buy now</a>
7	<a href="#">9014914M12</a> Screw(6h4)	<a href="#">Buy now</a>
8	<a href="#">6484311401</a> Pad, transom clamp	<a href="#">Buy now</a>
9	<a href="#">63D4313101</a> Bolt, clamp bracket	<a href="#">Buy now</a>
10	<a href="#">9038622M69</a> Bush(6k9)	<a href="#">Buy now</a>
11	<a href="#">6J84311301</a> Plate, clamp bracket	<a href="#">Buy now</a>
12	<a href="#">9020122M03</a> Washer, plate(64j)	<a href="#">Buy now</a>
13	<a href="#">9018522M11</a> Nut, self-locking	<a href="#">Buy now</a>
14	<a href="#">9010108339</a> Bolt, hexagon (656)	<a href="#">Buy now</a>
15	<a href="#">9038708M03</a> Collar	<a href="#">Buy now</a>

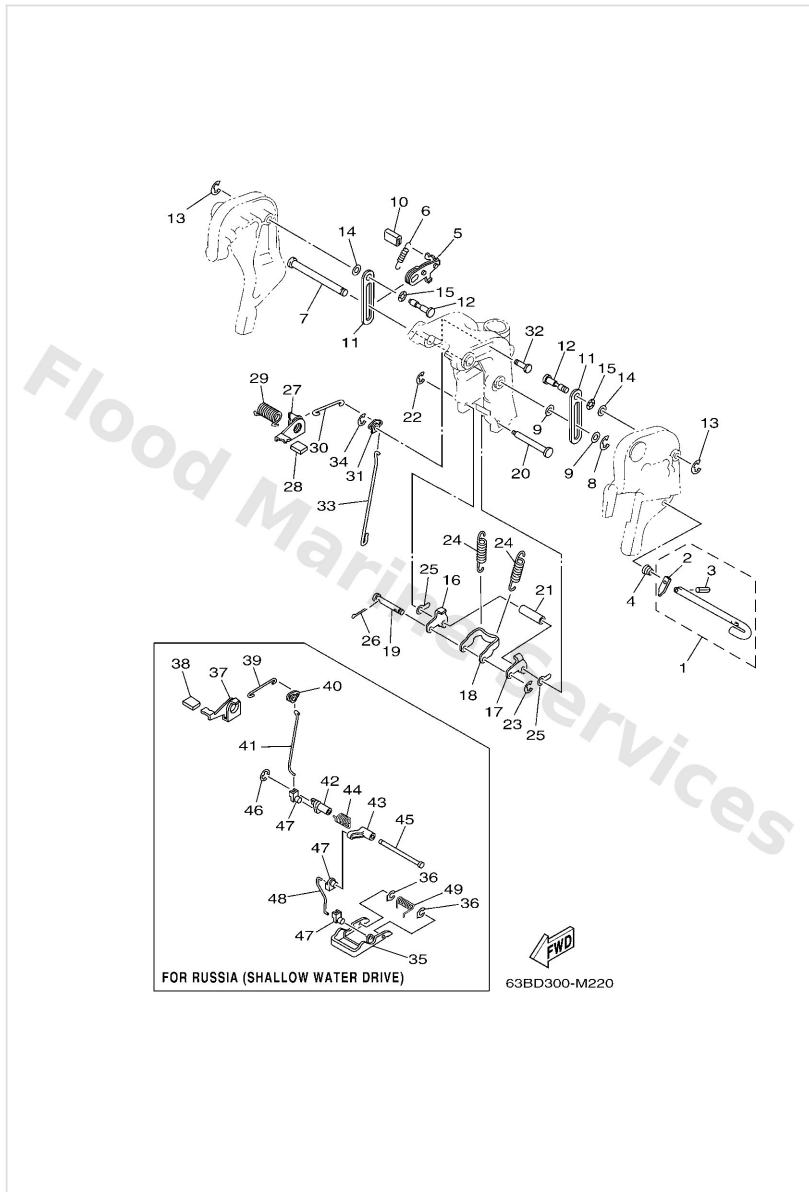


## Bracket 2



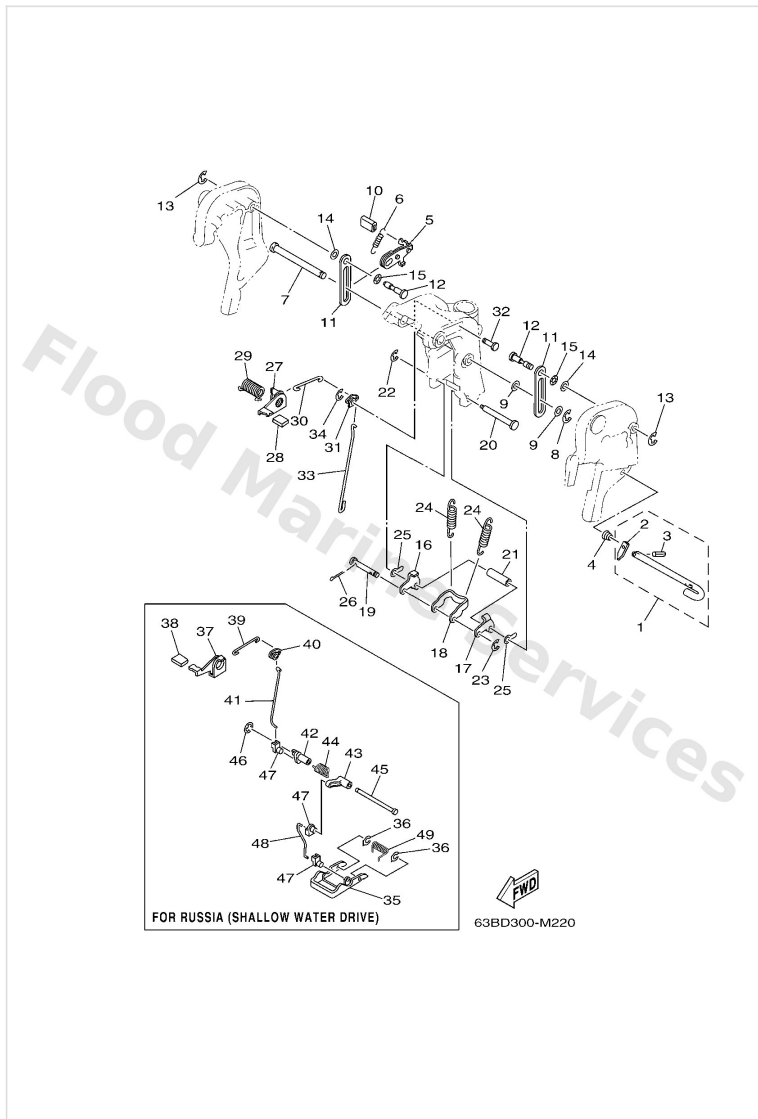
Ref	Part	
16	<a href="#">9299008600</a> Washer, plain (663)	<a href="#">Buy now</a>
17	<a href="#">9538008600</a> Nut (661)	<a href="#">Buy now</a>
18	<a href="#">6J843311044D</a> Bracket, swivel S(16.0")	<a href="#">Buy now</a>
18	<a href="#">6J843311104D</a> Bracket, swivel 1 L(21.0")	<a href="#">Buy now</a>
19	<a href="#">9370006M03</a> Nipple, grease(6a1)	<a href="#">Buy now</a>
20	<a href="#">6J84252800</a> Plate, friction	<a href="#">Buy now</a>
21	<a href="#">6894337301</a> Seal, damper	<a href="#">Buy now</a>
22	<a href="#">9010506M18</a> Bolt (689)	<a href="#">Buy now</a>
23	<a href="#">9010110M58</a> Bolt	<a href="#">Buy now</a>
24	<a href="#">9299510600</a> Washer, plate	<a href="#">Buy now</a>
25	<a href="#">9020112426</a> Washer, plate(663)	<a href="#">Buy now</a>
26	<a href="#">9538010600</a> Nut(624)	<a href="#">Buy now</a>

# Bracket 3



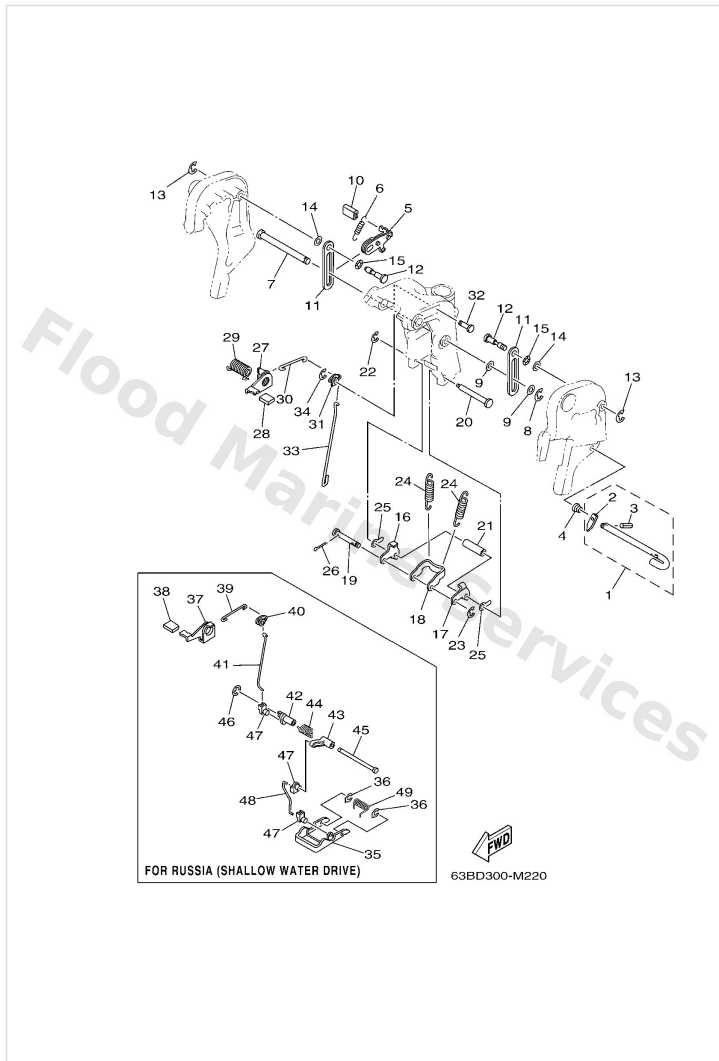
Ref	Part	
1	<a href="#">6H44316001</a> Tilt rod assembly	<a href="#">Buy now</a>
2	<a href="#">6764316500</a> Stopper plate, titl lock rod	<a href="#">Buy now</a>
3	<a href="#">9169030010</a> Pin, spring (663)	<a href="#">Buy now</a>
4	<a href="#">9050210M04</a> Spring, conical(6f5)	<a href="#">Buy now</a>
5	<a href="#">6J84318101</a> Lever, tilt stop 1	<a href="#">Buy now</a>
6	<a href="#">9050612M25</a> Spring, tension(6h4)	<a href="#">Buy now</a>
7	<a href="#">9024912M28</a> Pin(6h4)	<a href="#">Buy now</a>
8	<a href="#">9908010600</a> Circlip	<a href="#">Buy now</a>
9	<a href="#">9020212031</a> Washer, plate 6484412600	<a href="#">Buy now</a>
10	<a href="#">6824331801</a> Cover	<a href="#">Buy now</a>
11	<a href="#">6J84362700</a> Stopper	<a href="#">Buy now</a>
12	<a href="#">9024912M27</a> Pin(6f6)	<a href="#">Buy now</a>
15	<a href="#">9020612M16</a> Washer, wave(6j8)	<a href="#">Buy now</a>
16	<a href="#">6J84361400</a> Plate, tilt lock	<a href="#">Buy now</a>
17	<a href="#">6J84361500</a> Plate, tilt lock	<a href="#">Buy now</a>

# Bracket 3



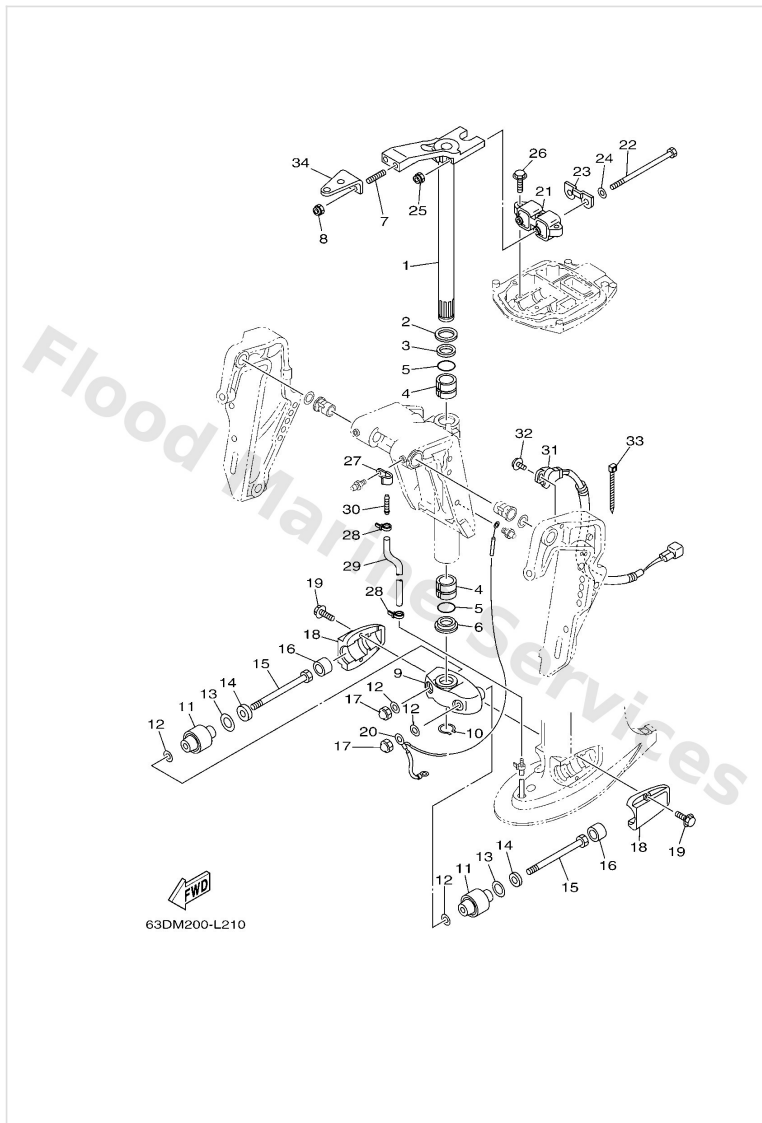
Ref	Part	
18	<a href="#">6J84361301</a> Arm, tilt lock	<a href="#">Buy now</a>
19	<a href="#">6H44365900</a> Shaft, reverse lock	<a href="#">Buy now</a>
20	<a href="#">6J84361101</a> Shaft, tilt lock	<a href="#">Buy now</a>
21	<a href="#">9038707M64</a> Collar (6h4)	<a href="#">Buy now</a>
22	<a href="#">9343006M02</a> Circlip (689)	<a href="#">Buy now</a>
46	<a href="#">9908005600</a> Circlip(22k) FOR RUS	<a href="#">Buy now</a>
24	<a href="#">9050632M22</a> Spring, tension(6j8)	<a href="#">Buy now</a>
25	<a href="#">6H44367400</a> Washer 2 EXCEPT FOR RUS	<a href="#">Buy now</a>
26	<a href="#">9149020010</a> Pin, cotter	<a href="#">Buy now</a>
27	<a href="#">6J84363100</a> Lever, tilt	<a href="#">Buy now</a>
38	<a href="#">6J84363300</a> Cover, tilt lever FOR RUS	<a href="#">Buy now</a>
29	<a href="#">9050818M23</a> Spring, torsion(6h4) FOR RUS	<a href="#">Buy now</a>
29	<a href="#">9050818M24</a> Spring, torsion(6h4) EXCEPT FOR RUS	<a href="#">Buy now</a>
39	<a href="#">6H44361600</a> Rod, tilt lock 1 FOR RUS	<a href="#">Buy now</a>
40	<a href="#">6J84364100</a> Lever, tilt FOR RUS	<a href="#">Buy now</a>

# Bracket 3



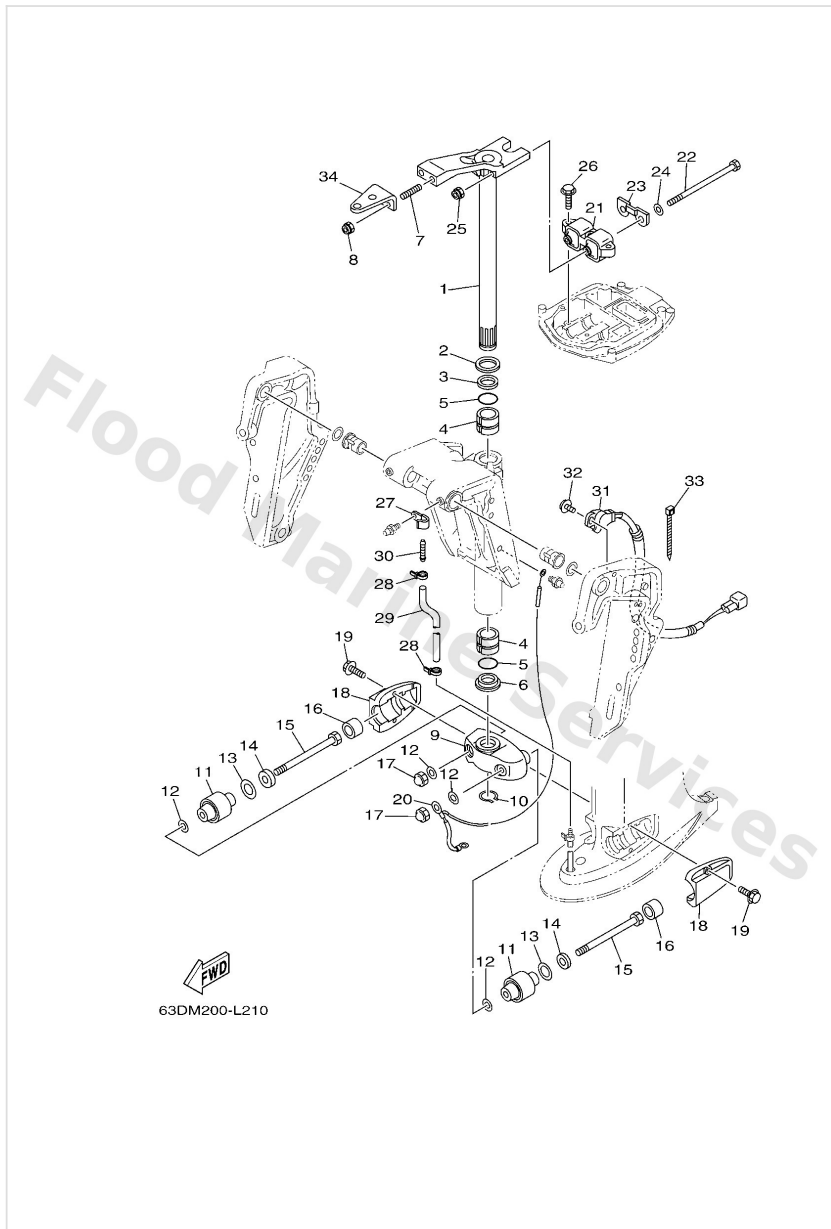
Ref	Part	
32	<a href="#">9024906M23</a> Pin(6e7) EXCEPT FOR RUS	<a href="#">Buy now</a>
32	<a href="#">9024906M24</a> Pin(6h4) FOR RUS	<a href="#">Buy now</a>
33	<a href="#">6J84361700</a> Rod, tilt lock	<a href="#">Buy now</a>
35	<a href="#">6J84368101</a> Lever, shallow water drive FOR RUS	<a href="#">Buy now</a>
36	<a href="#">6J84367300</a> Washer 1 FOR RUS	<a href="#">Buy now</a>
37	<a href="#">6J84363110</a> Lever, tilt FOR RUS	<a href="#">Buy now</a>
41	<a href="#">6J84361710</a> Rod, tilt lock FOR RUS	<a href="#">Buy now</a>
42	<a href="#">6J84318600</a> Lever FOR RUS	<a href="#">Buy now</a>
43	<a href="#">6J84318700</a> Lever 2 FOR RUS	<a href="#">Buy now</a>
44	<a href="#">9050825M21</a> Spring, torsion(6h4) FOR RUS	<a href="#">Buy now</a>
45	<a href="#">9024907M25</a> Pin(6h4) FOR RUS	<a href="#">Buy now</a>
47	<a href="#">6J84126200</a> Joint, choke lever FOR RUS	<a href="#">Buy now</a>
48	<a href="#">6J84361610</a> Rod, tilt lock FOR RUS	<a href="#">Buy now</a>
49	<a href="#">9050820M22</a> Spring, torsion(6h4) FOR RUS	<a href="#">Buy now</a>

# Bracket 4



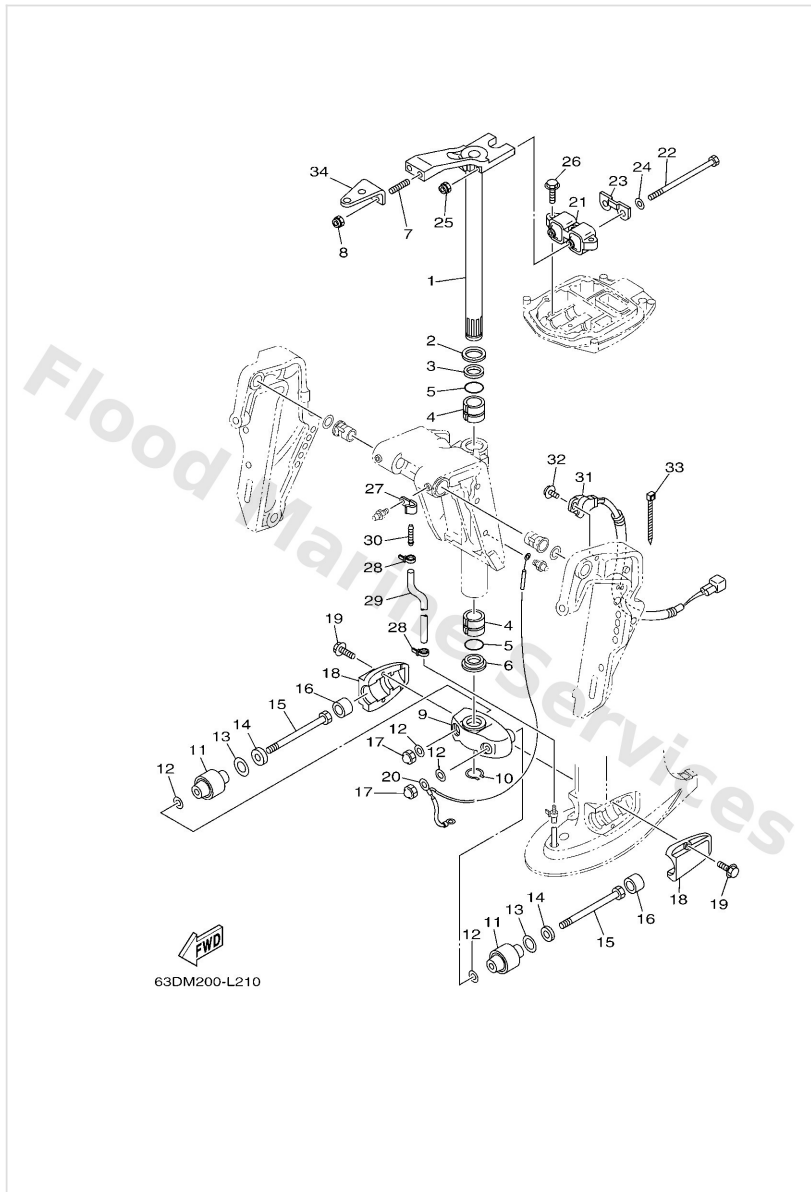
Ref	Part	
1	<a href="#">63D42510024D</a> - S(16.0")	<a href="#">Buy now</a>
1	<a href="#">63D42510124D</a> Steering bracket assembly L(21.0")	<a href="#">Buy now</a>
2	<a href="#">9020130M00</a> Washer, plate(6h1)	<a href="#">Buy now</a>
3	<a href="#">9038630M78</a> Bush(6h0)	<a href="#">Buy now</a>
4	<a href="#">9038630M77</a> Bush(6h0)	<a href="#">Buy now</a>
5	<a href="#">9321029M94</a> O-ring(6h1)	<a href="#">Buy now</a>
6	<a href="#">9038630M60</a> Bush(6j8)	<a href="#">Buy now</a>
7	<a href="#">9011610062</a> Bolt, stud	<a href="#">Buy now</a>
8	<a href="#">9018510027</a> Nut, self-locking	<a href="#">Buy now</a>
9	<a href="#">63D44551014D</a> Housing, lower mount rubber 1	<a href="#">Buy now</a>
10	<a href="#">9341028M06</a> Circlip (688)	<a href="#">Buy now</a>
11	<a href="#">63D4455500</a> Mount damper, lower side L(21.0")	<a href="#">Buy now</a>
11	<a href="#">6874455500</a> Mount damper, lower side S(16.0")	<a href="#">Buy now</a>
12	<a href="#">9020112M16</a> Washer, plate (679)	<a href="#">Buy now</a>
13	<a href="#">9020225M04</a> Washer, plate (663)	<a href="#">Buy now</a>

# Bracket 4



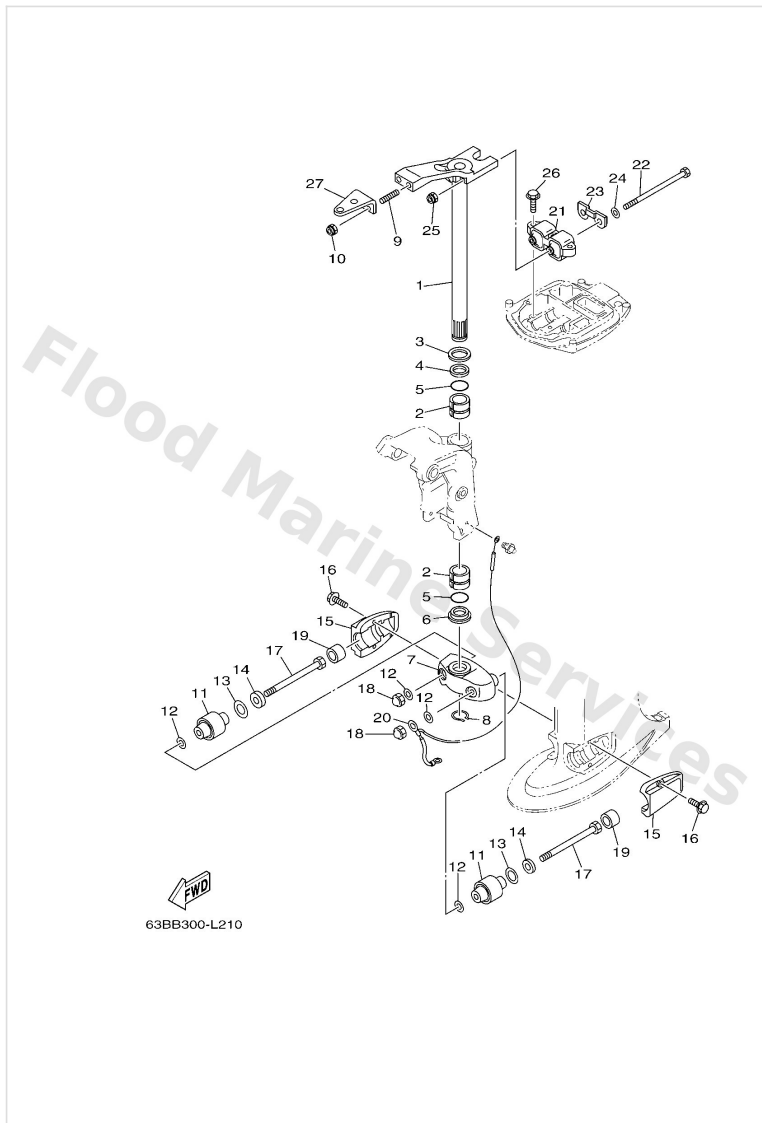
Ref	Part	
14	<a href="#">9020113M19</a> Washer, plate (663)	<a href="#">Buy now</a>
15	<a href="#">9010912M21</a> Bolt (6h3)	<a href="#">Buy now</a>
16	<a href="#">6634457500</a> Damper, lower mount rubber	<a href="#">Buy now</a>
17	<a href="#">9538012800</a> Nut crown(663)	<a href="#">Buy now</a>
18	<a href="#">63D44552014D</a> Housing, lower mount rubber	<a href="#">Buy now</a>
19	<a href="#">9757508530</a> Bolt, hexagon w/w deep recess	<a href="#">Buy now</a>
20	<a href="#">63D8212710</a> Wire, lead 2 L(21.0")	<a href="#">Buy now</a>
20	<a href="#">63D8212720</a> Wire, Lead 2 S(16.0")	<a href="#">Buy now</a>
21	<a href="#">63D445140194</a> Mount damper, upper side	<a href="#">Buy now</a>
22	<a href="#">9010908229</a> Bolt	<a href="#">Buy now</a>
23	<a href="#">63D4452600</a> Plate	<a href="#">Buy now</a>
24	<a href="#">9020109425</a> Washer, plate (663)	<a href="#">Buy now</a>
25	<a href="#">9018508018</a> Nut, self-locking	<a href="#">Buy now</a>
27	<a href="#">9046506M86</a> Clamp	<a href="#">Buy now</a>
28	<a href="#">9046511M10</a> Clamp	<a href="#">Buy now</a>

# Bracket 4



Ref	Part	
29	<a href="#">9044507MF1</a> Hose (I570)	<a href="#">Buy now</a>
30	<a href="#">6E58355800</a> End, nipple	<a href="#">Buy now</a>
31	<a href="#">63D8367211</a> Trim sender	<a href="#">Buy now</a>
32	<a href="#">9798506216</a> Screw, with washer(6h2)	<a href="#">Buy now</a>
33	<a href="#">9046513M11</a> Clamp (6e5)	<a href="#">Buy now</a>
34	<a href="#">63D4851101</a> Hook, steering <b>STEERING GUIDE</b>	<a href="#">Buy now</a>

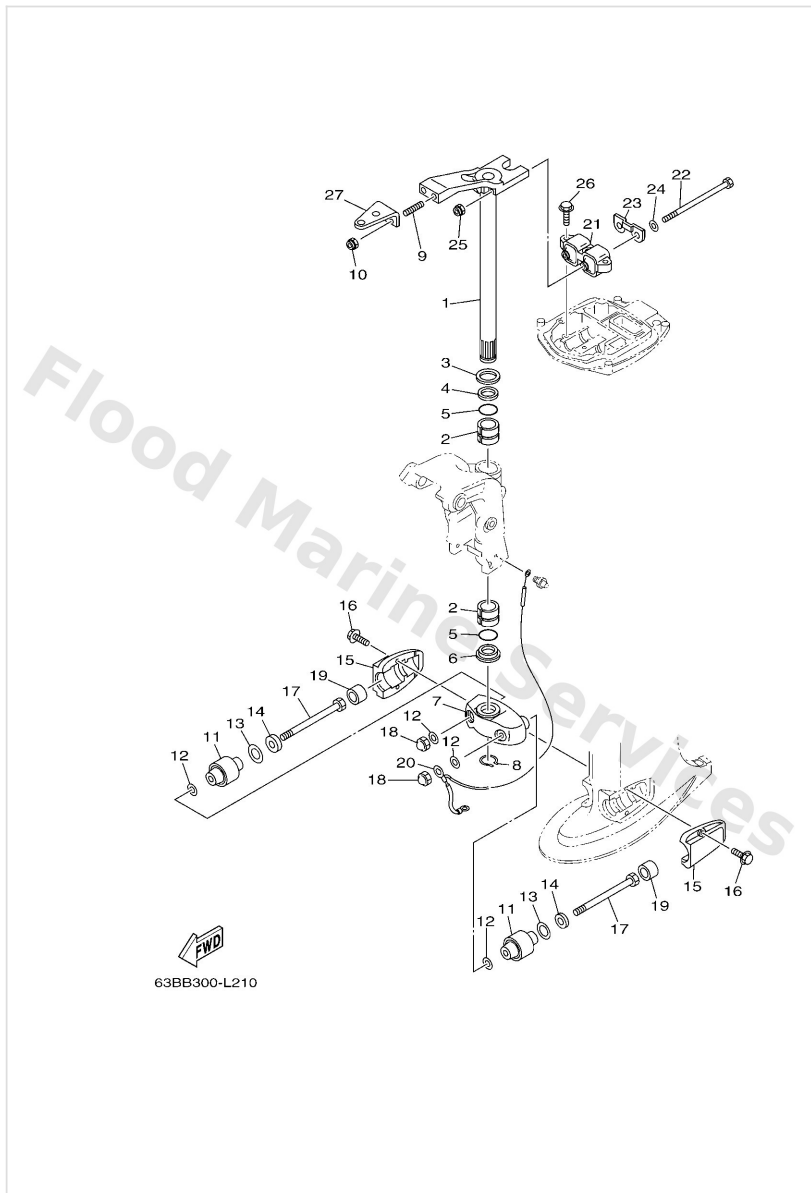
# Bracket 5



Ref	Part	
1	<a href="#">63B42510014D</a> Steering bracket assembly S(16.0")	<a href="#">Buy now</a>
1	<a href="#">63B42510114D</a> Steering bracket assembly L(21.0")	<a href="#">Buy now</a>
2	<a href="#">9038630M77</a> Bush(6h0)	<a href="#">Buy now</a>
3	<a href="#">9020130M00</a> Washer, plate(6h1)	<a href="#">Buy now</a>
4	<a href="#">9038630M78</a> Bush(6h0)	<a href="#">Buy now</a>
5	<a href="#">9321029M94</a> O-ring(6h1)	<a href="#">Buy now</a>
6	<a href="#">9038630M60</a> Bush(6j8)	<a href="#">Buy now</a>
7	<a href="#">63D44551014D</a> Housing, lower mount rubber 1	<a href="#">Buy now</a>
8	<a href="#">9341028M06</a> Circlip (688)	<a href="#">Buy now</a>
9	<a href="#">9011610062</a> Bolt, stud	<a href="#">Buy now</a>
10	<a href="#">9018510027</a> Nut, self-locking	<a href="#">Buy now</a>
11	<a href="#">63D4455500</a> Mount damper, lower side L(21.0")	<a href="#">Buy now</a>
11	<a href="#">6874455500</a> Mount damper, lower side S(16.0")	<a href="#">Buy now</a>
12	<a href="#">9020112M16</a> Washer, plate (679)	<a href="#">Buy now</a>
13	<a href="#">9020225M04</a> Washer, plate (663)	<a href="#">Buy now</a>

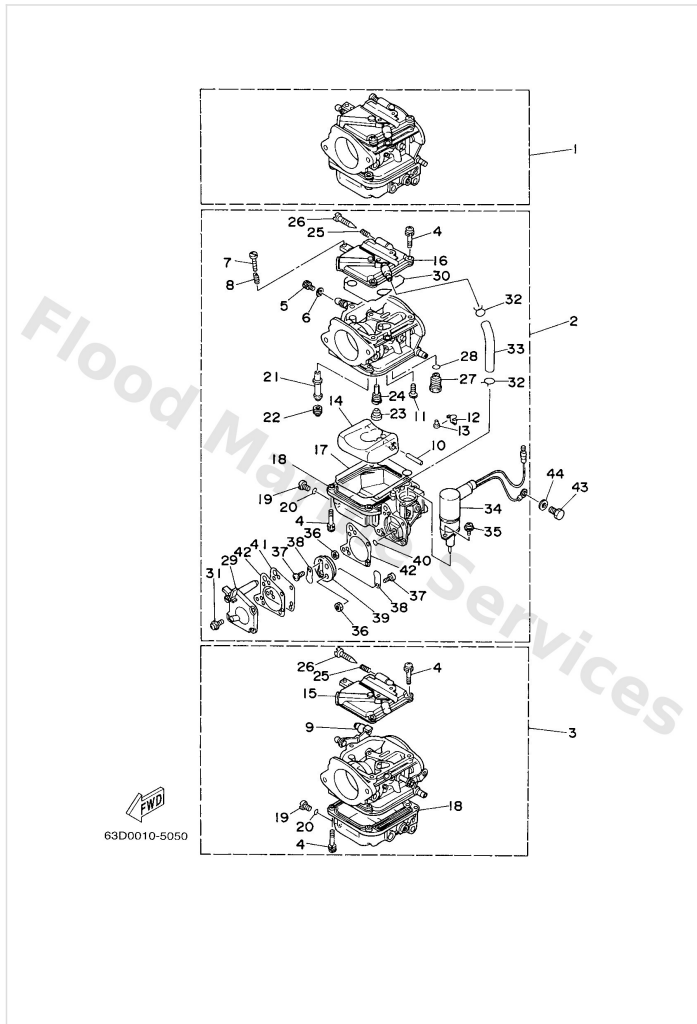


# Bracket 5



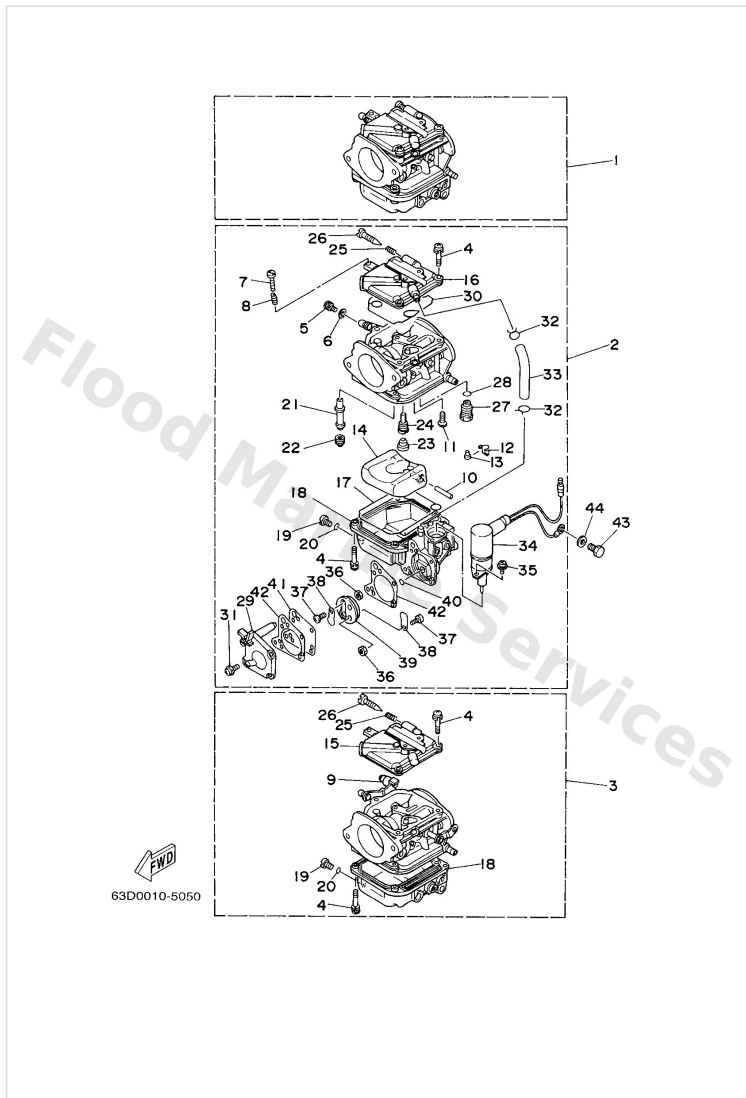
Ref	Part	
14	<a href="#">9020113M19</a> Washer, plate (663)	<a href="#">Buy now</a>
15	<a href="#">63D44552014D</a> Housing, lower mount rubber	<a href="#">Buy now</a>
16	<a href="#">9757508530</a> Bolt, hexagon w/w deep recess	<a href="#">Buy now</a>
17	<a href="#">9010912M21</a> Bolt (6h3)	<a href="#">Buy now</a>
18	<a href="#">9538012800</a> Nut crown(663)	<a href="#">Buy now</a>
19	<a href="#">6634457500</a> Damper, lower mount rubber	<a href="#">Buy now</a>
20	<a href="#">63D8212700</a> Wire, lead 2 S(16.0")	<a href="#">Buy now</a>
20	<a href="#">63D8212710</a> Wire, lead 2 L(21.0")	<a href="#">Buy now</a>
21	<a href="#">63D445140194</a> Mount damper, upper side	<a href="#">Buy now</a>
22	<a href="#">9010908229</a> Bolt	<a href="#">Buy now</a>
23	<a href="#">63D4452600</a> Plate	<a href="#">Buy now</a>
24	<a href="#">9020109425</a> Washer, plate (663)	<a href="#">Buy now</a>
25	<a href="#">9018508018</a> Nut, self-locking	<a href="#">Buy now</a>
27	<a href="#">63D4851101</a> Hook, steering STEERING GUIDE	<a href="#">Buy now</a>

# Carburetor



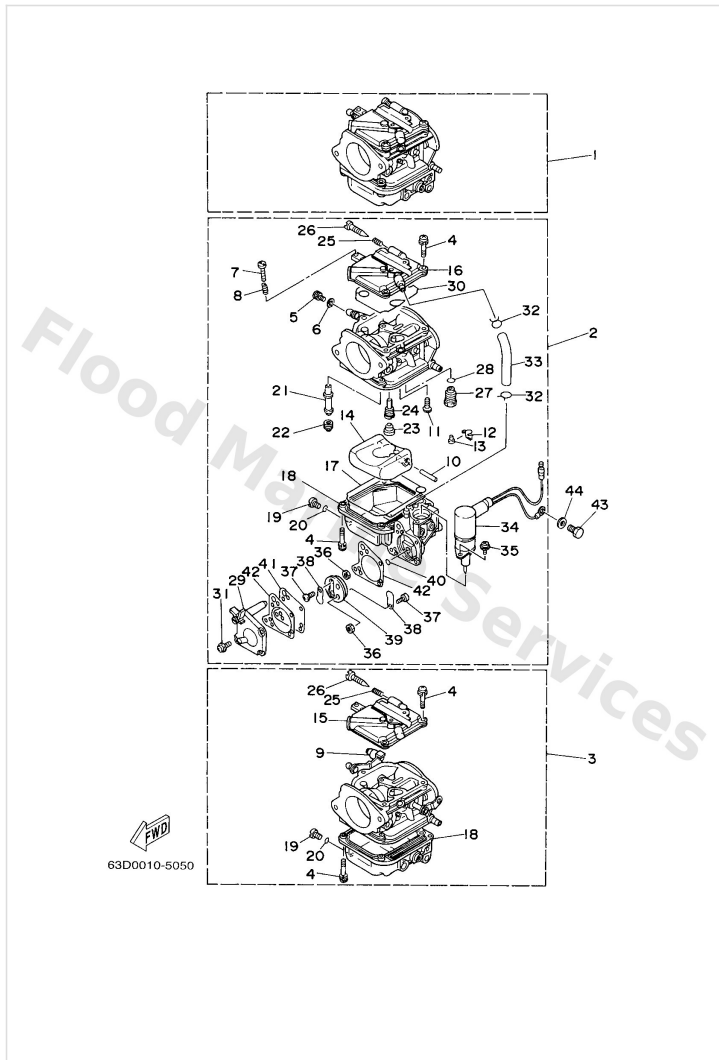
Ref	Part	
1	<a href="#">62W1430100</a> Carburetor assembly 1 50H	<a href="#">Buy now</a>
1	<a href="#">62X1430100</a> Carburetor assembly 1 50H	<a href="#">Buy now</a>
1	<a href="#">63B1430100</a> Carburetor assembly 1 40V	<a href="#">Buy now</a>
1	<a href="#">63D1430100</a> Carburetor assembly 1 40V	<a href="#">Buy now</a>
2	<a href="#">62W1430200</a> Carburetor assembly 2 50H	<a href="#">Buy now</a>
2	<a href="#">62X1430200</a> Carburetor assembly 2 50H	<a href="#">Buy now</a>
2	<a href="#">63B1430200</a> Carburetor assembly 2 40V	<a href="#">Buy now</a>
2	<a href="#">63D1430200</a> Carburetor assembly 2 40V	<a href="#">Buy now</a>
3	<a href="#">62W1430300</a> Carburetor assembly 3 50H	<a href="#">Buy now</a>
3	<a href="#">62X1430300</a> Carburetor assembly 3 50H	<a href="#">Buy now</a>
3	<a href="#">63B1430300</a> Carburetor assembly 3 40V	<a href="#">Buy now</a>
3	<a href="#">63D1430300</a> Carburetor assembly 3 40V	<a href="#">Buy now</a>
4	<a href="#">9798004114</a> Screw, pan head(ga5)	<a href="#">Buy now</a>
5	<a href="#">6K51459200</a> Screw	<a href="#">Buy now</a>
6	<a href="#">9020105652</a> Washer, plate(65j)	<a href="#">Buy now</a>

# Carburetor



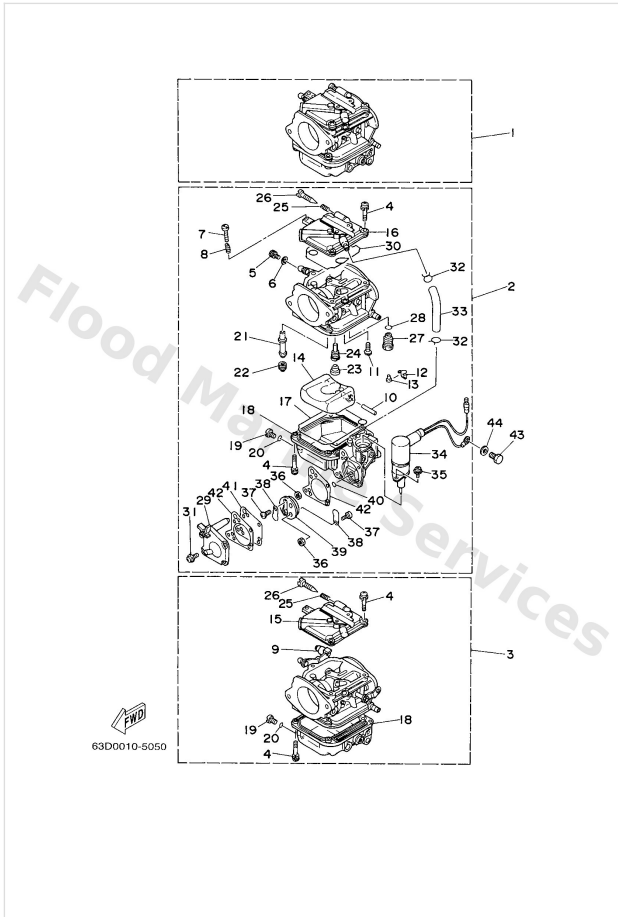
Ref	Part	
7	<a href="#">63V1452300</a> Screw, stop #2	<a href="#">Buy now</a>
8	<a href="#">9050110326</a> Spring coil(663)(carb) #2	<a href="#">Buy now</a>
9	<a href="#">6H21457800</a> Collar #3	<a href="#">Buy now</a>
10	<a href="#">6H41454800</a> Pin, float arm	<a href="#">Buy now</a>
11	<a href="#">9858004008</a> Screw, pan head (713)	<a href="#">Buy now</a>
12	<a href="#">6631415900</a> Clip	<a href="#">Buy now</a>
13	<a href="#">6761418600</a> Pin, valve	<a href="#">Buy now</a>
14	<a href="#">6H41498501</a> Float	<a href="#">Buy now</a>
15	<a href="#">6H41414610</a> Plate #1,3	<a href="#">Buy now</a>
16	<a href="#">6H31414610</a> Plate #2	<a href="#">Buy now</a>
16	<a href="#">6H41414600</a> Plate #2	<a href="#">Buy now</a>
17	<a href="#">6H41498400</a> Gasket, float chamber	<a href="#">Buy now</a>
18	<a href="#">6H31498010</a> Body, float chamber #2	<a href="#">Buy now</a>
18	<a href="#">6H41498000</a> Body, float chamber #1,3	<a href="#">Buy now</a>
19	<a href="#">6H31499200</a> Screw, drain	<a href="#">Buy now</a>

# Carburetor



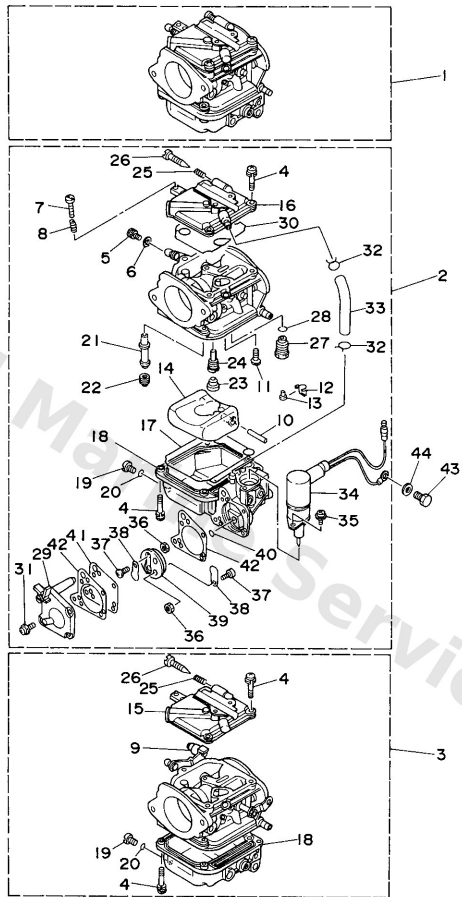
Ref	Part	
20	<a href="#">9321004230</a> O-ring (371)	<a href="#">Buy now</a>
21	<a href="#">62W1494700</a> Jet, needle 50H	<a href="#">Buy now</a>
21	<a href="#">62X1494700</a> Jet, needle 50H	<a href="#">Buy now</a>
21	<a href="#">63D1494700</a> Jet, needle 40V	<a href="#">Buy now</a>
22	<a href="#">63D1494381</a> Jet, main (#118) 40V-#2	<a href="#">Buy now</a>
22	<a href="#">6761494330</a> Jet, main (#115) 40V-#1,3	<a href="#">Buy now</a>
22	<a href="#">6761494332</a> Jet, main (#125) 50H	<a href="#">Buy now</a>
22	<a href="#">6761494333</a> Jet, main (#130) 50H	<a href="#">Buy now</a>
23	<a href="#">6761496600</a> Rubber cap	<a href="#">Buy now</a>
24	<a href="#">62X1494812</a> Jet (#62) 50H	<a href="#">Buy now</a>
24	<a href="#">6H41494811</a> Jet (#60) 40V	<a href="#">Buy now</a>
24	<a href="#">6H41494812</a> Jet (#62) 50H	<a href="#">Buy now</a>
25	<a href="#">6791455500</a> Spring	<a href="#">Buy now</a>
26	<a href="#">6921492300</a> Screw, adjusting	<a href="#">Buy now</a>
27	<a href="#">6H41459001</a> Needle valve assembly	<a href="#">Buy now</a>





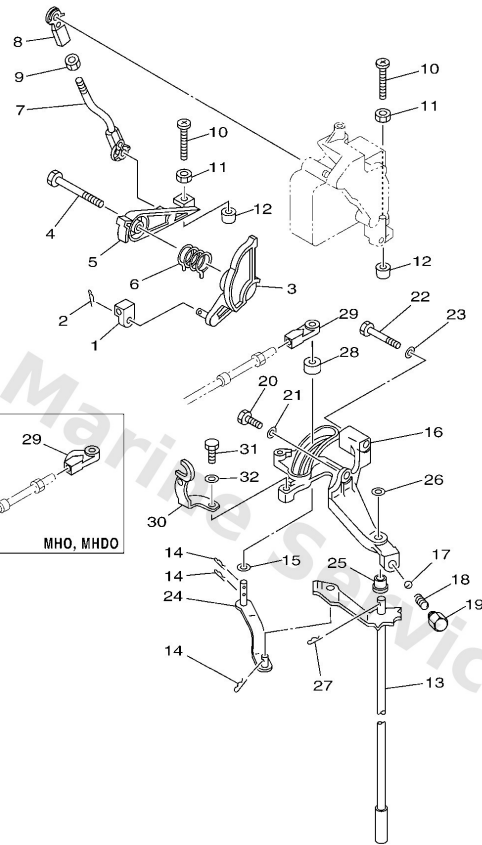
Ref	Part	
28	<a href="#">9321004228</a> O-ring (371)	<a href="#">Buy now</a>
29	<a href="#">6H32445210</a> Cover #2	<a href="#">Buy now</a>
30	<a href="#">6H41414700</a> O-ring	<a href="#">Buy now</a>
31	<a href="#">6H41456700</a> Screw #2	<a href="#">Buy now</a>
32	<a href="#">6H31413700</a> Clip #2	<a href="#">Buy now</a>
33	<a href="#">6H31434900</a> Pipe #2	<a href="#">Buy now</a>
34	<a href="#">63D1438000</a> Prime starter assembly #2	<a href="#">Buy now</a>
35	<a href="#">9780304010</a> Screw, pan head (e56) #2	<a href="#">Buy now</a>
36	<a href="#">9538003600</a> Nut (6g8) #2	<a href="#">Buy now</a>
37	<a href="#">9898003006</a> Screw, bind(6g1) #2	<a href="#">Buy now</a>
38	<a href="#">6L52442100</a> Valve, check #2	<a href="#">Buy now</a>
39	<a href="#">6H42441300</a> Body 2 #2	<a href="#">Buy now</a>
40	<a href="#">6H42448600</a> O-ring #2	<a href="#">Buy now</a>
41	<a href="#">6H32441110</a> Diaphragm #2	<a href="#">Buy now</a>
42	<a href="#">6H32443410</a> Gasket, body #2	<a href="#">Buy now</a>

# Carburetor



Ref	Part	
43	<a href="#">9701306012</a> Bolt(gh1)	<a href="#">Buy now</a>
44	<a href="#">9290306600</a> Washer, plain (646)	<a href="#">Buy now</a>

# Control

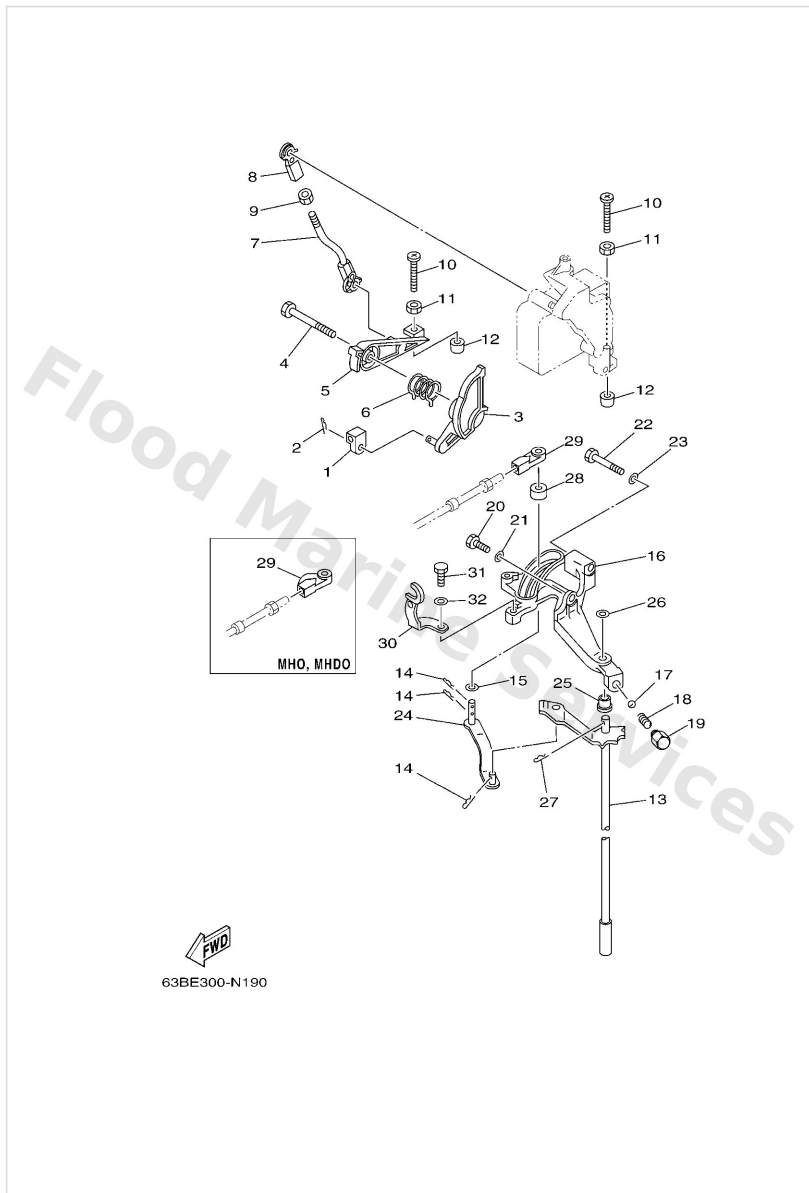


  
63BE300-N190

Ref	Part	
1	<a href="#">6H44834400</a> Cable end, remote control	<a href="#">Buy now</a>
2	<a href="#">9046818008</a> Clip 620436610000	<a href="#">Buy now</a>
3	<a href="#">63D4121300</a> Cam, accel.	<a href="#">Buy now</a>
4	<a href="#">9010906M43</a> Bolt(6h4)	<a href="#">Buy now</a>
5	<a href="#">63D4163200</a> Lever, magneto control	<a href="#">Buy now</a>
6	<a href="#">9050826M35</a> Spring, torsion	<a href="#">Buy now</a>
7	<a href="#">63D4163600</a> Rod, magneto control	<a href="#">Buy now</a>
8	<a href="#">6H44123700</a> Joint, link	<a href="#">Buy now</a>
9	<a href="#">9538005600</a> Nut, hexagon (663)	<a href="#">Buy now</a>
10	<a href="#">9015706M13</a> Screw, pan head(6h4)	<a href="#">Buy now</a>
11	<a href="#">9530306600</a> Nut(661)	<a href="#">Buy now</a>
12	<a href="#">6884419400</a> Cap	<a href="#">Buy now</a>
13	<a href="#">63D4412001</a> Handle gear shift assembly S(16.0")	<a href="#">Buy now</a>
13	<a href="#">63D4412011</a> Handle gear shift assembly L(21.0")	<a href="#">Buy now</a>
15	<a href="#">9020207M07</a> Washer, plate (688)	<a href="#">Buy now</a>

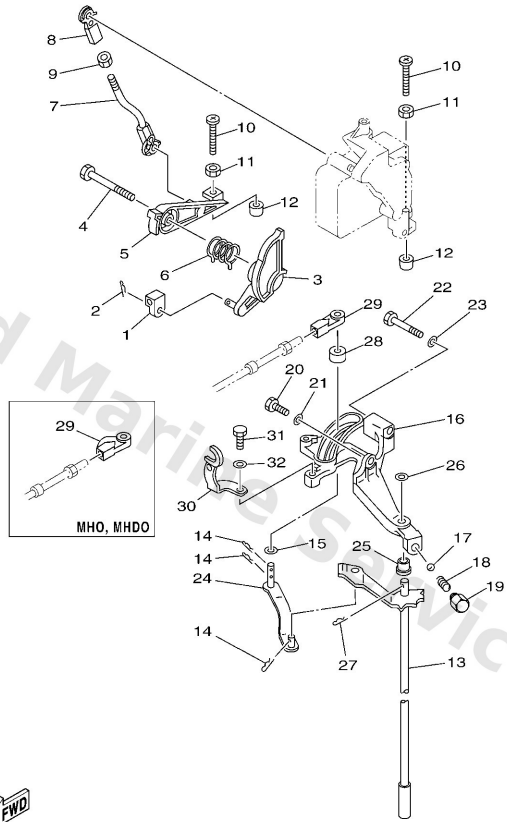


# Control



Ref	Part	
16	<a href="#">63D4411700</a> Bracket	<a href="#">Buy now</a>
17	<a href="#">9350104M02</a> Ball (697)	<a href="#">Buy now</a>
18	<a href="#">9050112082</a> Spring 6484411600	<a href="#">Buy now</a>
19	<a href="#">6484271500</a> Bushing 2	<a href="#">Buy now</a>
20	<a href="#">9701306020</a> Bolt(62y)	<a href="#">Buy now</a>
21	<a href="#">9290306600</a> Washer, plain (646)	<a href="#">Buy now</a>
22	<a href="#">9701306045</a> Bolt, hexagon	<a href="#">Buy now</a>
24	<a href="#">63D4412100</a> Lever, shift rod	<a href="#">Buy now</a>
25	<a href="#">9038607M58</a> Bush(6h1)	<a href="#">Buy now</a>
26	<a href="#">9299008200</a> Ybs66-8 washer, plain	<a href="#">Buy now</a>
27	<a href="#">9149020012</a> Pin, cotter (648)	<a href="#">Buy now</a>
28	<a href="#">6884412200</a> Bushing, shift rod lever	<a href="#">Buy now</a>
29	<a href="#">63D4834400</a> Cable end, remote control	<a href="#">Buy now</a>
29	<a href="#">6634834400</a> Cable end, remote control	<a href="#">Buy now</a>
30	<a href="#">63D1577400</a> Stay 4	<a href="#">Buy now</a>

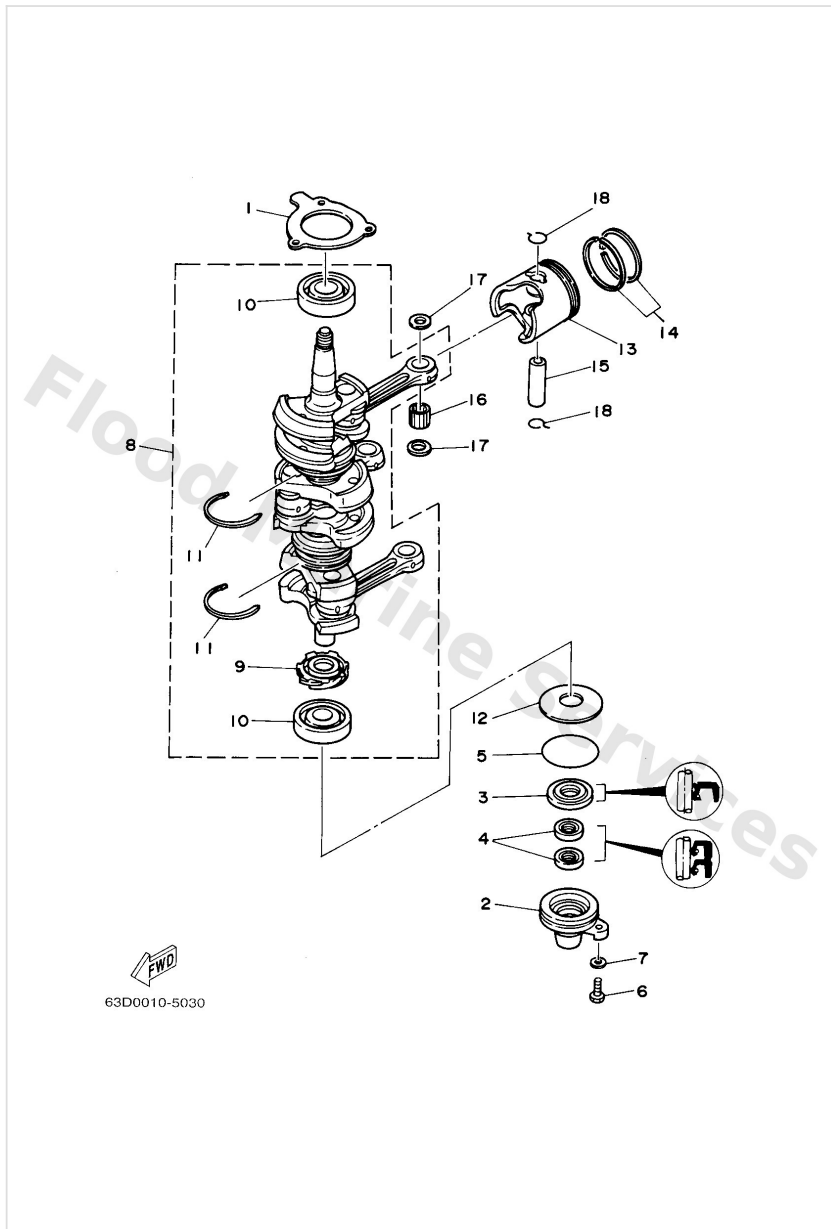
# Control



  
63BE300-N190

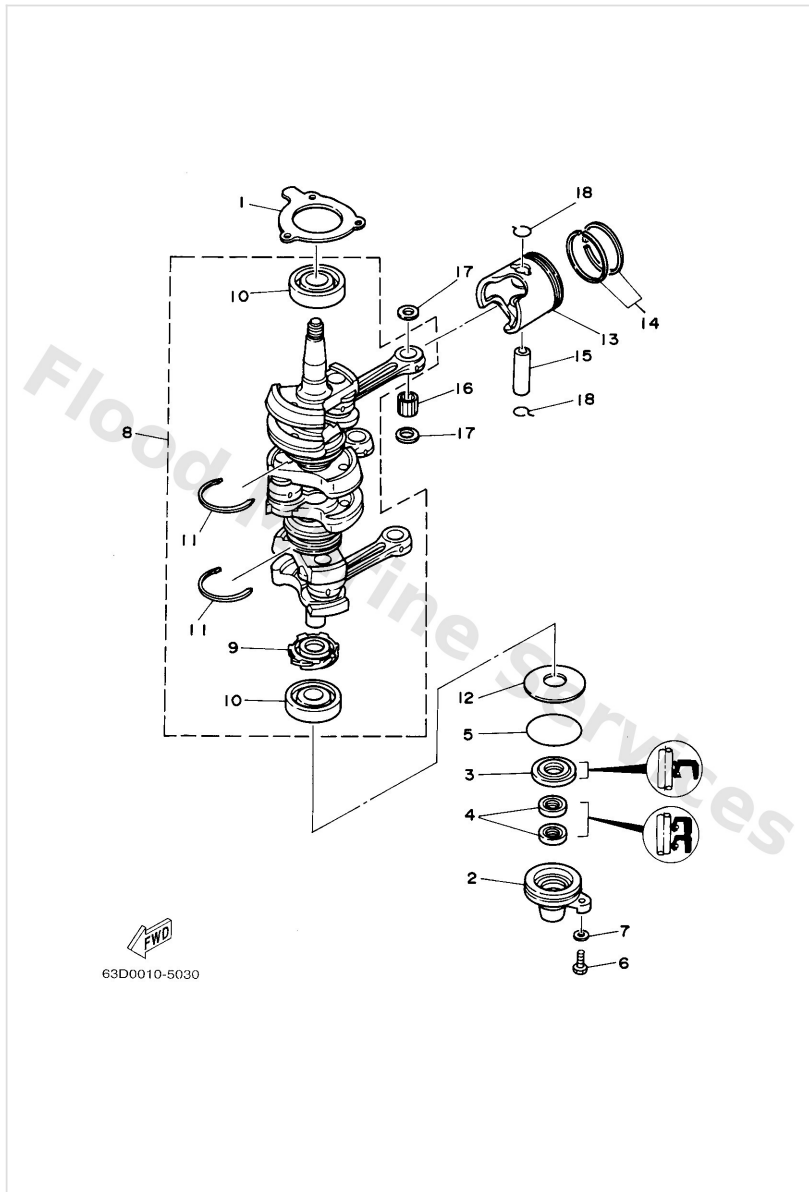
Ref	Part	
31	<a href="#">9709506016</a> Bolt, hexagon deep recess	<a href="#">Buy now</a>
32	<a href="#">9299506600</a> Washer, plain (646)	<a href="#">Buy now</a>

# Crankshaft & Piston



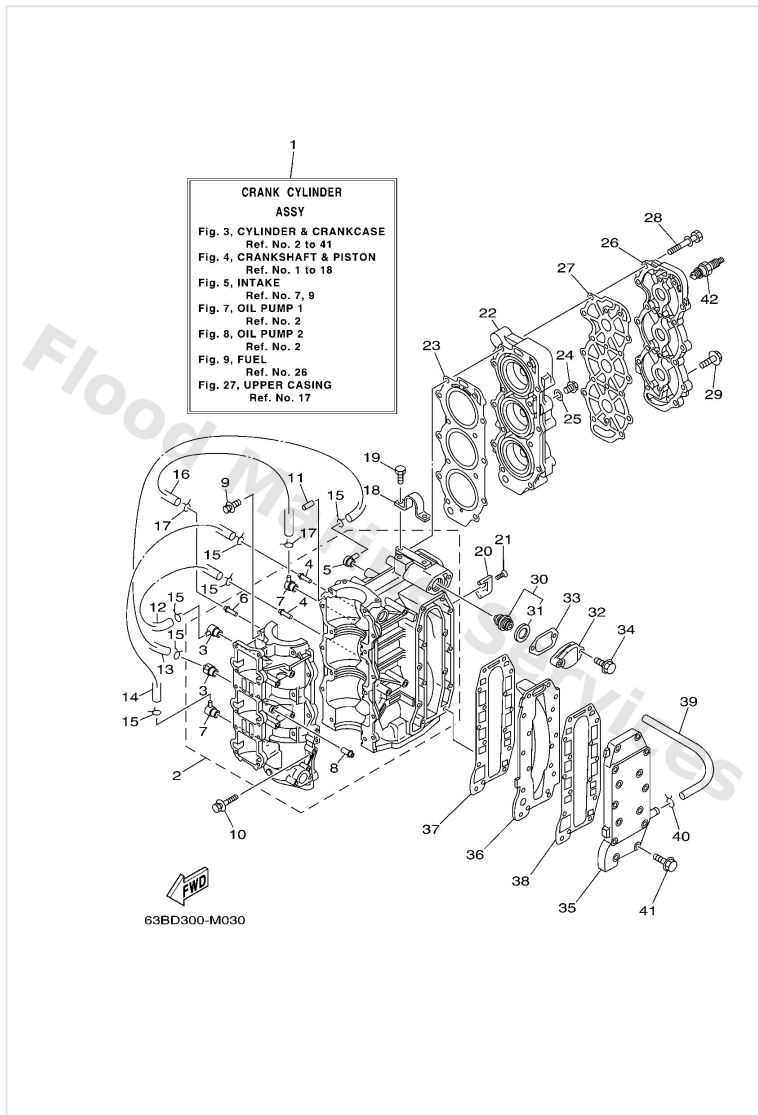
Ref	Part	
1	<a href="#">6H415369A1</a> Gasket, oil seal housing	<a href="#">Buy now</a>
2	<a href="#">6H41539603CA</a> Housing, oil seal	<a href="#">Buy now</a>
3	<a href="#">9310225M28</a> Oil seal(6h4)	<a href="#">Buy now</a>
4	<a href="#">9310416M01</a> Oil seal(6a8)	<a href="#">Buy now</a>
5	<a href="#">9321058M21</a> O-ring (683)	<a href="#">Buy now</a>
6	<a href="#">9709506020</a> Bolt(7u8)	<a href="#">Buy now</a>
7	<a href="#">9299506600</a> Washer, plain (646)	<a href="#">Buy now</a>
8	<a href="#">6H41140014</a> Crankshaft assembly	<a href="#">Buy now</a>
9	<a href="#">6H41153600</a> Gear, drive	<a href="#">Buy now</a>
10	<a href="#">93306305U8</a> Bearing(6h4)	<a href="#">Buy now</a>
11	<a href="#">9344062057</a> Cir clip (656)	<a href="#">Buy now</a>
12	<a href="#">9020150306</a> Washer plate 648115870000	<a href="#">Buy now</a>
13	<a href="#">6H4116310195</a> Piston (std)	<a href="#">Buy now</a>
13	<a href="#">6H41163501</a> Piston (0.25mm o/s) AP	<a href="#">Buy now</a>
13	<a href="#">6H41163601</a> Piston (0.50mm o/s) AP	<a href="#">Buy now</a>

# Crankshaft & Piston



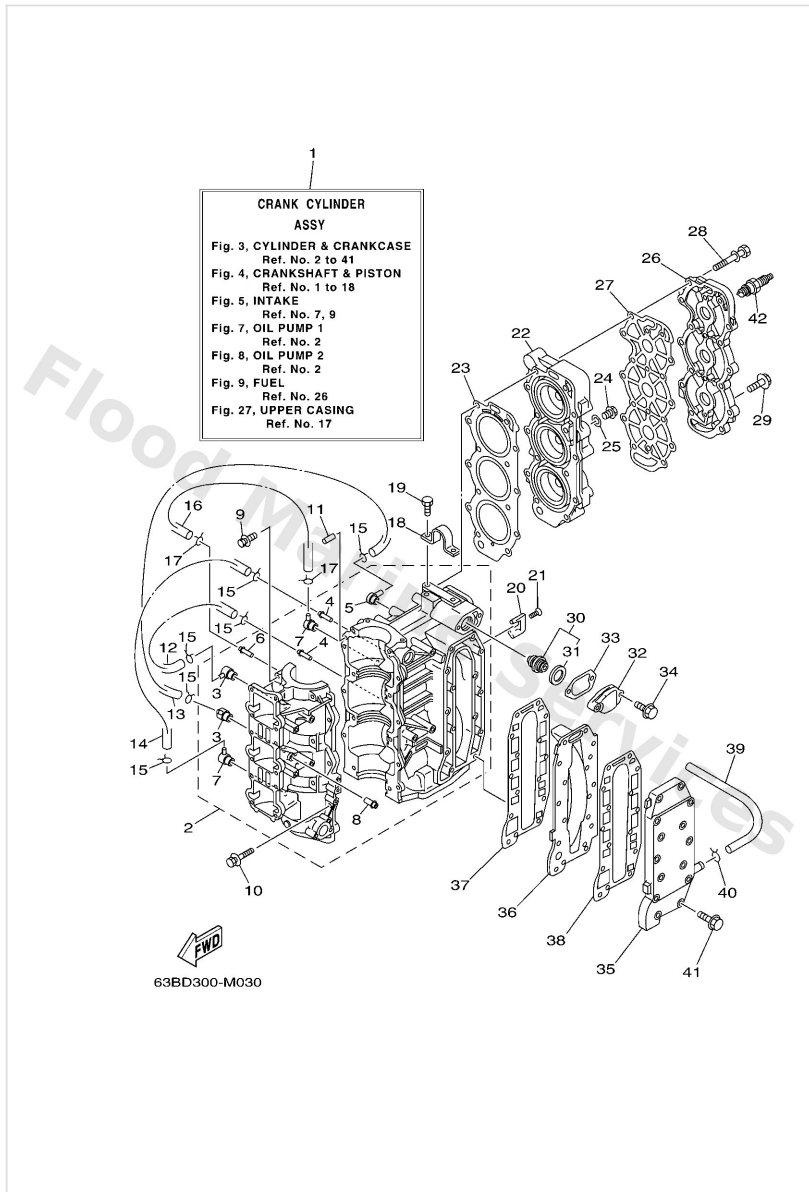
Ref	Part	
14	<a href="#">63D1160300</a> Piston ring set (std)	<a href="#">Buy now</a>
14	<a href="#">63D1160400</a> Piston ring set (0.25mm o/s) AP	<a href="#">Buy now</a>
14	<a href="#">63D1160500</a> Piston ring set (0.50mm o/s) AP	<a href="#">Buy now</a>
15	<a href="#">6481163300</a> Pin,piston	<a href="#">Buy now</a>
16	<a href="#">9360220M02</a> Pin, dowel b (664)	<a href="#">Buy now</a>
17	<a href="#">6H41164100</a> Washer, piston pin	<a href="#">Buy now</a>
18	<a href="#">6H41163401</a> Clip, piston pin	<a href="#">Buy now</a>

# Cylinder & Crankcase



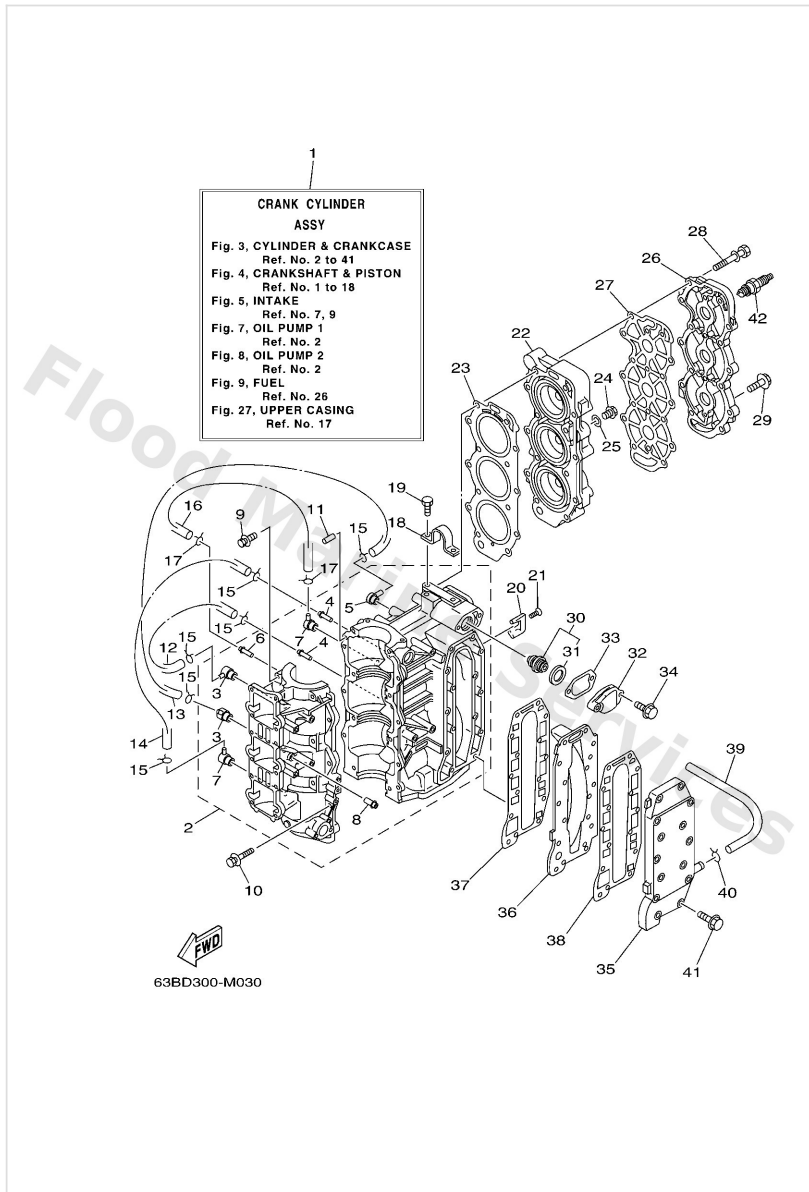
Ref	Part	
1	<a href="#">63DW0090111S</a> Crank cylinder assembly E-O/I	<a href="#">Buy now</a>
1	<a href="#">63DW0090311S</a> Crank cylinder assembly M-O/I	<a href="#">Buy now</a>
2	<a href="#">6H41510013</a> Crankcase assembly E-O/I	<a href="#">Buy now</a>
2	<a href="#">6H41510030</a> Crankcase assembly M-O/I	<a href="#">Buy now</a>
3	<a href="#">6501137001</a> Check valve assembly	<a href="#">Buy now</a>
4	<a href="#">6241448500</a> Pipe, joint	<a href="#">Buy now</a>
5	<a href="#">6H41137201</a> Nipple, hose	<a href="#">Buy now</a>
7	<a href="#">6881137001</a> Check valve assembly	<a href="#">Buy now</a>
8	<a href="#">6502437800</a> Pipe, joint 2 E-O/I	<a href="#">Buy now</a>
9	<a href="#">9011908019</a> Bolt, with washer	<a href="#">Buy now</a>
10	<a href="#">9011906M13</a> Bolt, with washer (682)	<a href="#">Buy now</a>
11	<a href="#">9360612019</a> Pin, dowel (614)	<a href="#">Buy now</a>
12	<a href="#">9044507M46</a> Hose (I390)	<a href="#">Buy now</a>
13	<a href="#">9044507M27</a> Hose (I390)	<a href="#">Buy now</a>
14	<a href="#">9044507M24</a> Hose (I390)	<a href="#">Buy now</a>

# Cylinder & Crankcase



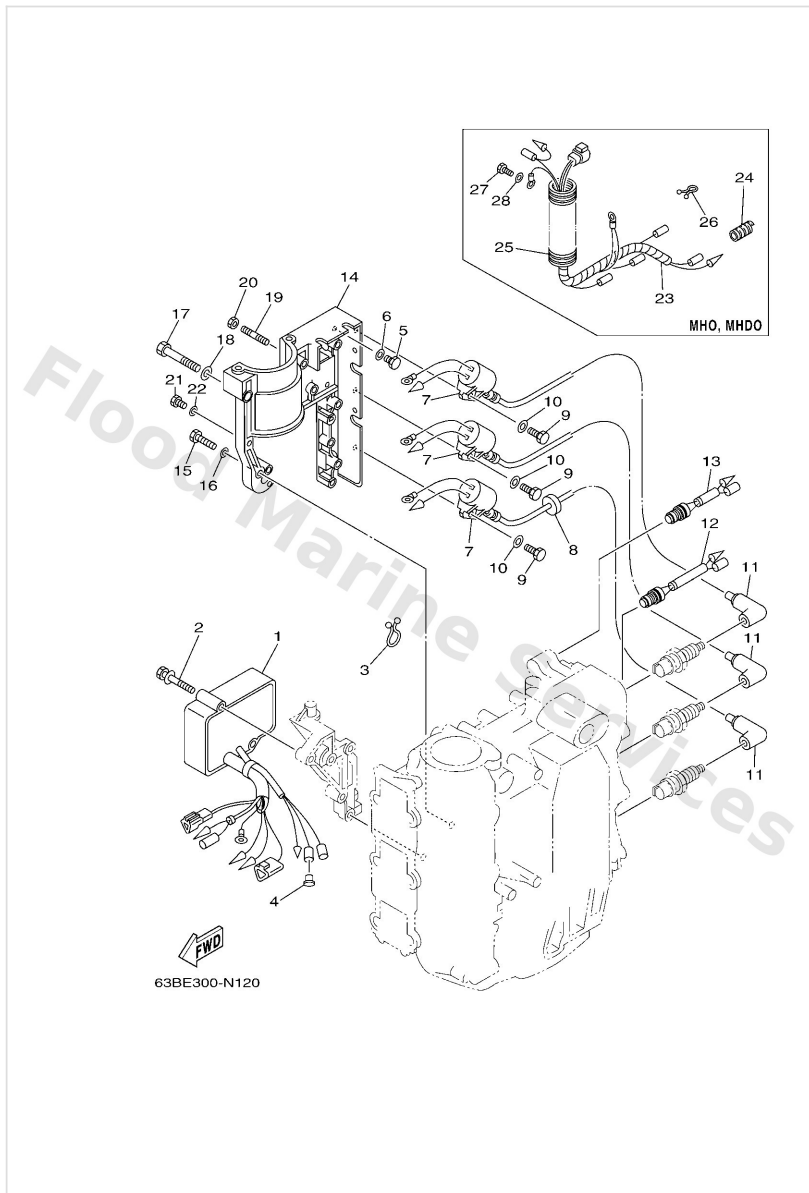
Ref	Part	
15	<a href="#">9046706016</a> Clip (655)	<a href="#">Buy now</a>
16	<a href="#">9044507MA3</a> Hose (I200)	<a href="#">Buy now</a>
18	<a href="#">6H41111901</a> Hanger, engine	<a href="#">Buy now</a>
19	<a href="#">9010106021</a> Bolt	<a href="#">Buy now</a>
20	<a href="#">6881132500</a> Anode	<a href="#">Buy now</a>
21	<a href="#">9878004016</a> Screw, flat head(ga5)	<a href="#">Buy now</a>
22	<a href="#">63D11111001S</a> Head, cylinder 1	<a href="#">Buy now</a>
23	<a href="#">63D11181A2</a> Gasket, cylinder head 1	<a href="#">Buy now</a>
24	<a href="#">9034014M06</a> Plug, straight screw(62y)	<a href="#">Buy now</a>
25	<a href="#">9043014115</a> Gasket (663)	<a href="#">Buy now</a>
26	<a href="#">63D11191001S</a> Cover, cylinder head 1	<a href="#">Buy now</a>
27	<a href="#">63D11193A0</a> Gasket, head cover 1	<a href="#">Buy now</a>
28	<a href="#">9011908015</a> Bolt, with washer	<a href="#">Buy now</a>
29	<a href="#">9011906MA3</a> Bolt, with washer	<a href="#">Buy now</a>
30	<a href="#">6E51241130</a> Thermostat	<a href="#">Buy now</a>

# Cylinder & Crankcase



Ref	Part	
31	<a href="#">6881241200</a> Seal, thermostat	<a href="#">Buy now</a>
32	<a href="#">6H412413001S</a> Cover, thermostat	<a href="#">Buy now</a>
33	<a href="#">6J812414A0</a> Gasket, cover	<a href="#">Buy now</a>
35	<a href="#">6H441113001S</a> Outer cover, exhaust	<a href="#">Buy now</a>
36	<a href="#">6H441111001S</a> Inner cover, exhaust	<a href="#">Buy now</a>
37	<a href="#">6H441112A0</a> Gasket, exhaust inner cover	<a href="#">Buy now</a>
38	<a href="#">6H441114A0</a> Gasket, exhaust outer cover	<a href="#">Buy now</a>
39	<a href="#">9044509M37</a> Hose (I1500)	<a href="#">Buy now</a>
40	<a href="#">9046708004</a> Clip, pipe 6162435600	<a href="#">Buy now</a>
41	<a href="#">9011906MA5</a> Bolt, with washer	<a href="#">Buy now</a>
42	<a href="#">9470200247</a> Plug, spark (br8hs-10) 50H	<a href="#">Buy now</a>
42	<a href="#">9470200271</a> Plug, spark (br7hs-10) 40V	<a href="#">Buy now</a>

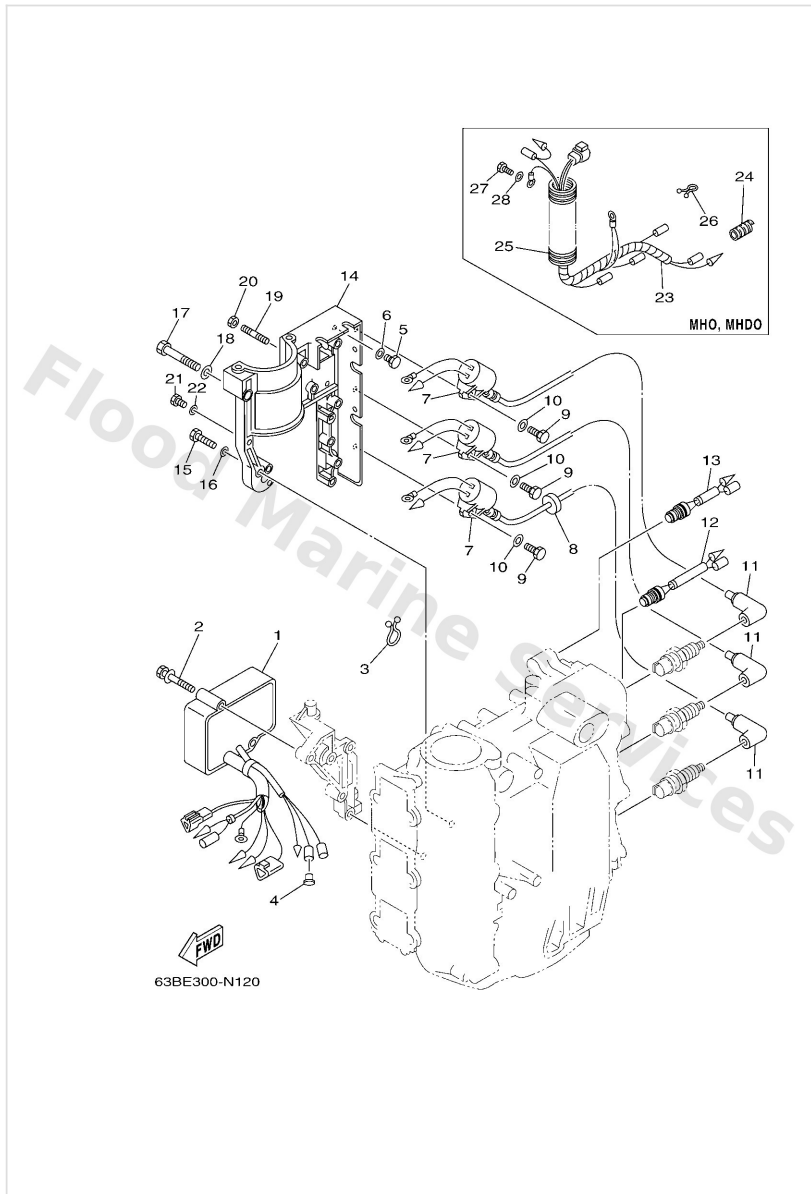
# Electrical 1



Ref	Part	
1	<a href="#">63D8554004</a> C.d.i. unit assembly	<a href="#">Buy now</a>
2	<a href="#">9011906M51</a> Bolt, with washer(6h4)	<a href="#">Buy now</a>
3	<a href="#">9046415M11</a> Clamp (3y2)	<a href="#">Buy now</a>
4	<a href="#">7038211900</a> Cover, lead wire	<a href="#">Buy now</a>
5	<a href="#">9709506014</a> Bolt(gj3)	<a href="#">Buy now</a>
6	<a href="#">9299506600</a> Washer, plain (646)	<a href="#">Buy now</a>
7	<a href="#">6H58557000</a> Ignition coil assembly	<a href="#">Buy now</a>
8	<a href="#">9048025161</a> Grommet(656)	<a href="#">Buy now</a>
9	<a href="#">9709506020</a> Bolt(7u8)	<a href="#">Buy now</a>
11	<a href="#">6G18237021</a> Plug cap assembly	<a href="#">Buy now</a>
12	<a href="#">6898256000</a> Thermo switch assembly	<a href="#">Buy now</a>
13	<a href="#">6H48256000</a> Thermo switch assembly	<a href="#">Buy now</a>
14	<a href="#">6H4818220298</a> Bracket, starting motor	<a href="#">Buy now</a>
15	<a href="#">9709506030</a> Bolt(jf7)	<a href="#">Buy now</a>
17	<a href="#">9701308050</a> Bolt, hexagon	<a href="#">Buy now</a>

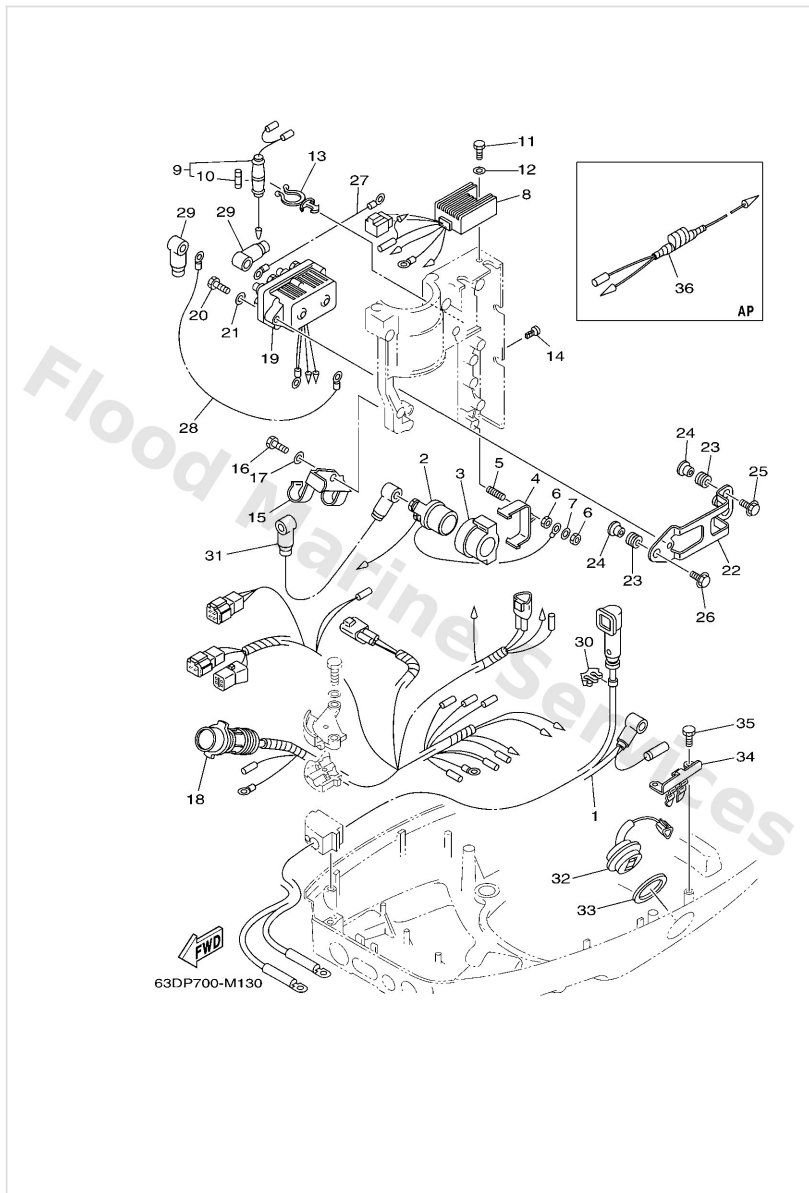


# Electrical 1



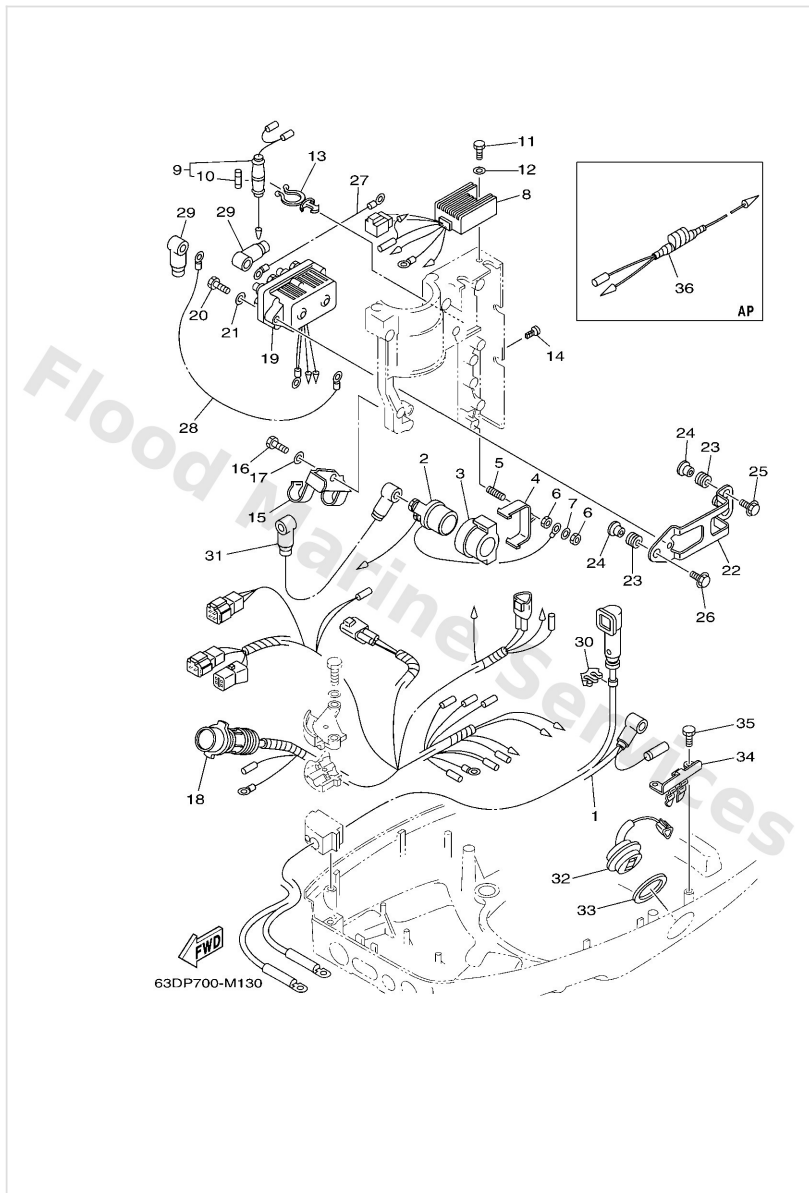
Ref	Part	
18	<a href="#">9290308600</a> Washer, plain (663)	<a href="#">Buy now</a>
19	<a href="#">9567006640</a> Bolt, stud(6h4)	<a href="#">Buy now</a>
20	<a href="#">9017906M24</a> Nut(6j8)	<a href="#">Buy now</a>
23	<a href="#">63D8253100</a> Wire, lead	<a href="#">Buy now</a>
24	<a href="#">9044610M02</a> Tube (6e5)	<a href="#">Buy now</a>
25	<a href="#">6G18355700</a> Tube	<a href="#">Buy now</a>
26	<a href="#">9046405M16</a> Clamp(6j8)	<a href="#">Buy now</a>

## Electrical 2



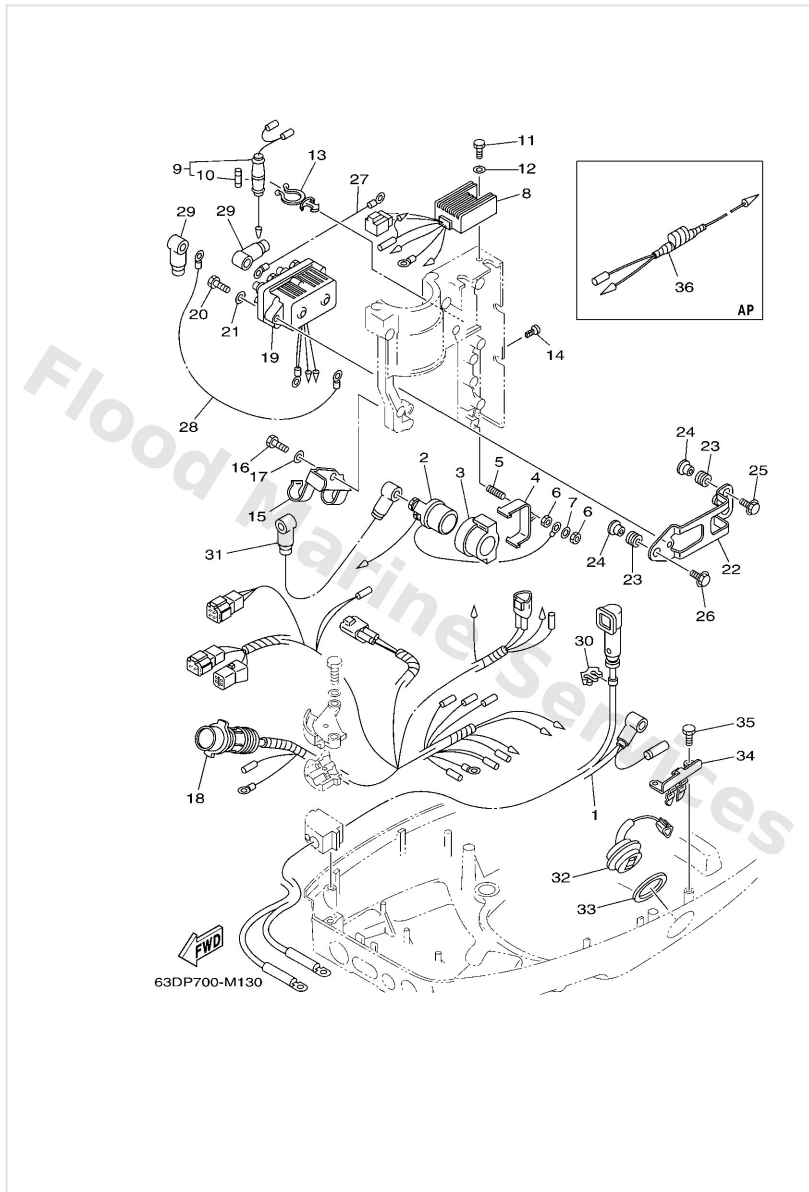
Ref	Part	
1	<a href="#">6H48210503</a> Battery cable	<a href="#">Buy now</a>
2	<a href="#">6G18194110</a> Starter relay	<a href="#">Buy now</a>
3	<a href="#">6H48195200</a> Holder, relay	<a href="#">Buy now</a>
4	<a href="#">6H48194500</a> Plate, switch fitting	<a href="#">Buy now</a>
5	<a href="#">9011606M22</a> Bolt, stud (6h1)	<a href="#">Buy now</a>
6	<a href="#">9538006600</a> Nut(661)	<a href="#">Buy now</a>
7	<a href="#">9299006600</a> Washer, plain (646)	<a href="#">Buy now</a>
8	<a href="#">6H28196010</a> Rectifier & regulator assembly	<a href="#">Buy now</a>
9	<a href="#">6H48215000</a> Fuse holder assembly	<a href="#">Buy now</a>
10	<a href="#">6638215100</a> Fuse	<a href="#">Buy now</a>
11	<a href="#">9709506014</a> Bolt(gj3)	<a href="#">Buy now</a>
12	<a href="#">9299506600</a> Washer, plain (646)	<a href="#">Buy now</a>
13	<a href="#">9046415M27</a> Clamp(6h4)	<a href="#">Buy now</a>
14	<a href="#">9033805M11</a> Plug(6h4)	<a href="#">Buy now</a>
15	<a href="#">63D8259400</a> Clamp	<a href="#">Buy now</a>

## Electrical 2



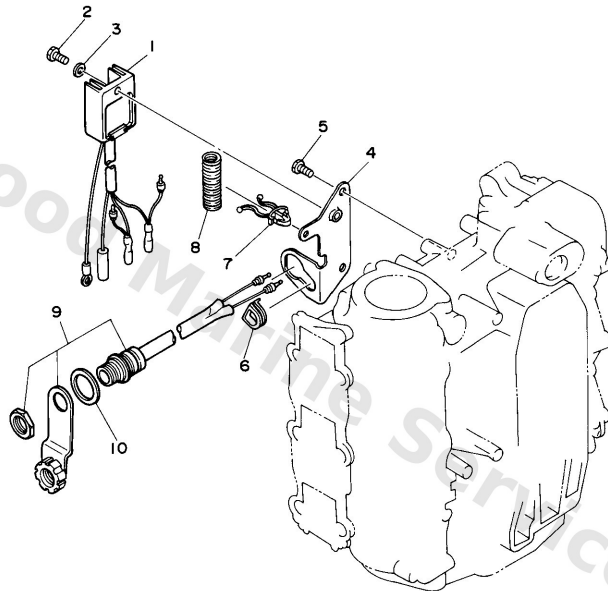
Ref	Part	
16	<a href="#">9709506012</a> Bolt(gh1)	<a href="#">Buy now</a>
18	<a href="#">63D8259010</a> Wire harness assembly	<a href="#">Buy now</a>
18	<a href="#">63D8259040</a> Wire harness assembly	<a href="#">Buy now</a>
19	<a href="#">6H18195000</a> Relay aasy	<a href="#">Buy now</a>
20	<a href="#">9709506025</a> Bolt	<a href="#">Buy now</a>
22	<a href="#">6H48194520</a> Plate, switch fitting	<a href="#">Buy now</a>
23	<a href="#">9048013M24</a> Grommet (6e9)	<a href="#">Buy now</a>
24	<a href="#">9038706M05</a> Collar(6h4)	<a href="#">Buy now</a>
25	<a href="#">9010506M15</a> Bolt (6e0)	<a href="#">Buy now</a>
26	<a href="#">9010506M16</a> Bolt (6e0)	<a href="#">Buy now</a>
27	<a href="#">6H58194900</a> Wire, lead	<a href="#">Buy now</a>
28	<a href="#">61A8194900</a> Wire, lead	<a href="#">Buy now</a>
29	<a href="#">6828211901</a> Cover, lead wire	<a href="#">Buy now</a>
30	<a href="#">9046407M20</a> Clamp(6h0)	<a href="#">Buy now</a>
31	<a href="#">6H48211700</a> Wire, lead	<a href="#">Buy now</a>

## Electrical 2



Ref	Part	
32	<a href="#">63D8256310</a> Trim & tilt switch assembly	<a href="#">Buy now</a>
33	<a href="#">6E58258700</a> Gasket	<a href="#">Buy now</a>
34	<a href="#">6R38361400</a> Bracket	<a href="#">Buy now</a>
35	<a href="#">9709506016</a> Bolt, hexagon deep recess	<a href="#">Buy now</a>
36	<a href="#">6H48131511</a> Lead wire assembly AP	<a href="#">Buy now</a>

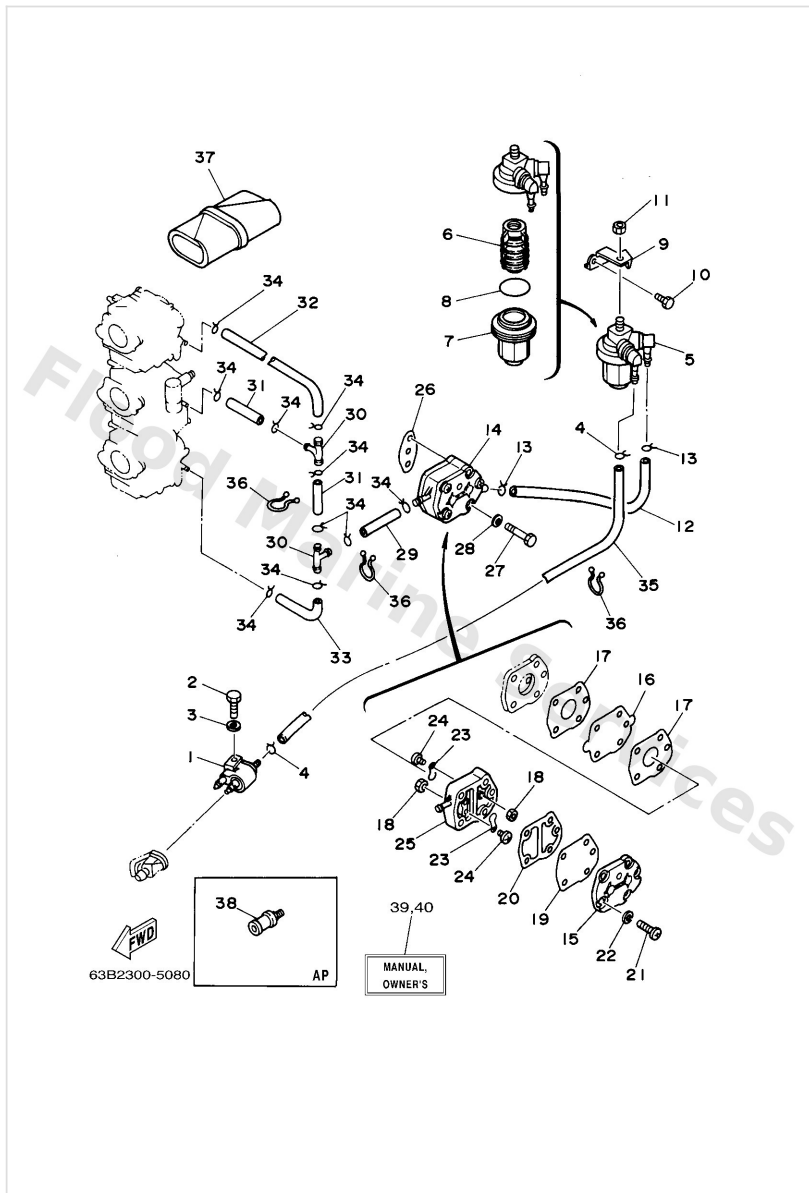
# Electrical 3



  
63B0300-5130

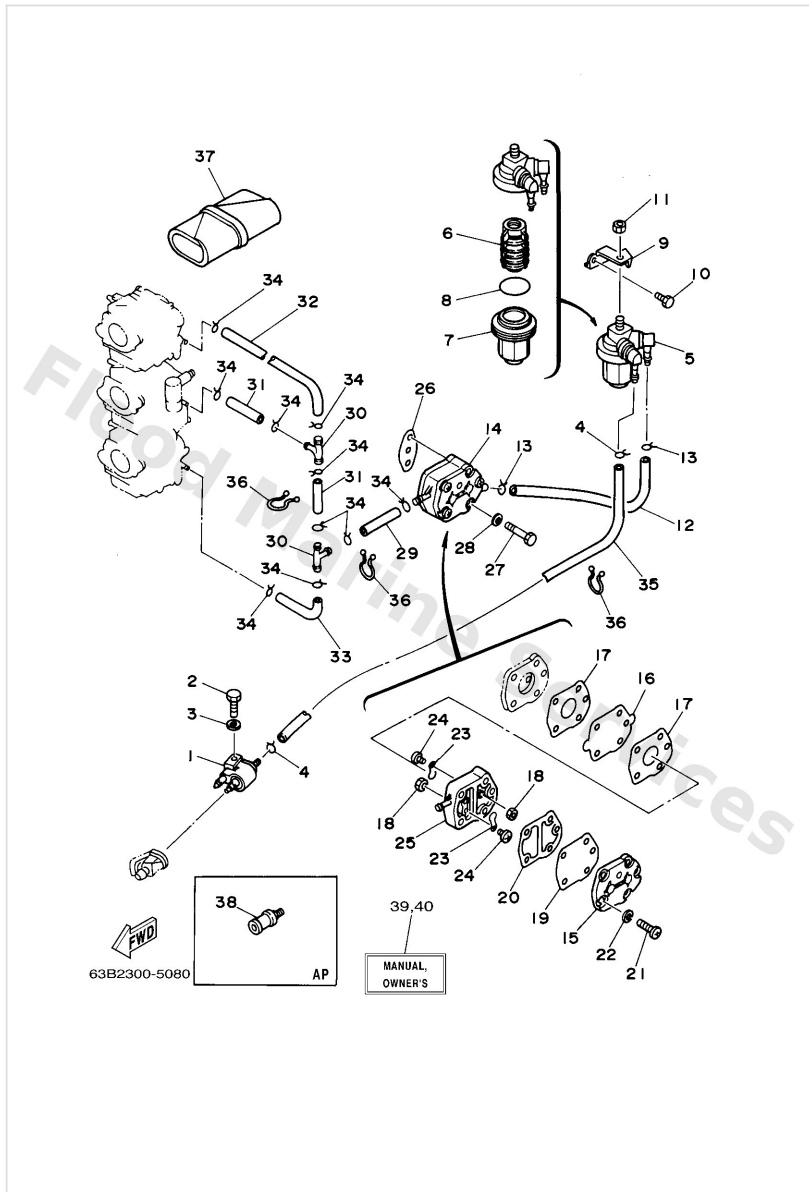
Ref	Part	
1	<a href="#">6J88196000</a> Rectifier & regulator assembly 40V	<a href="#">Buy now</a>
2	<a href="#">9709506012</a> Bolt(gh1) 40V	<a href="#">Buy now</a>
3	<a href="#">9299506600</a> Washer, plain (646) 40V	<a href="#">Buy now</a>
4	<a href="#">6H48197502</a> Plate, rectifier fitting 40V	<a href="#">Buy now</a>
5	<a href="#">9701306012</a> Bolt(gh1) 40V	<a href="#">Buy now</a>
6	<a href="#">6F58192200</a> Grommet 1 40V	<a href="#">Buy now</a>
7	<a href="#">9046412M35</a> Clamp(6h4) 40V	<a href="#">Buy now</a>
8	<a href="#">9044014M00</a> Pipe(6h4) 40V	<a href="#">Buy now</a>
9	<a href="#">6828438100</a> 2p concent 1 40V	<a href="#">Buy now</a>
10	<a href="#">9020226M45</a> Washer, plate(6h4) 40V	<a href="#">Buy now</a>

# Fuel



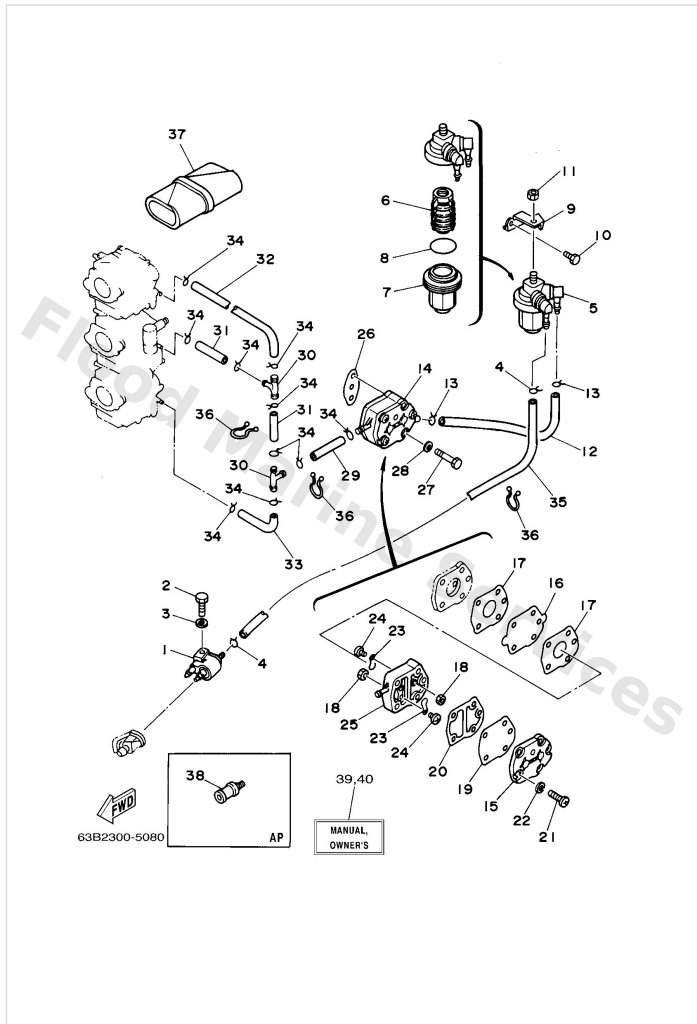
Ref	Part	
1	<a href="#">6G12430402</a> Fuel pipe joint comp. 1	<a href="#">Buy now</a>
2	<a href="#">9709506025</a> Bolt	<a href="#">Buy now</a>
3	<a href="#">9299506600</a> Washer, plain (646)	<a href="#">Buy now</a>
4	<a href="#">9046708004</a> Clip, pipe 6162435600	<a href="#">Buy now</a>
5	<a href="#">61N2456000</a> Filter assembly	<a href="#">Buy now</a>
6	<a href="#">61N2456300</a> Element, filter	<a href="#">Buy now</a>
7	<a href="#">61N2452100</a> Cup, filter	<a href="#">Buy now</a>
8	<a href="#">9321032738</a> O-ring(1wg)	<a href="#">Buy now</a>
9	<a href="#">6H42456602</a> Bracket, filter	<a href="#">Buy now</a>
10	<a href="#">9701306014</a> Bolt(gj3)	<a href="#">Buy now</a>
11	<a href="#">9538008600</a> Nut (661)	<a href="#">Buy now</a>
12	<a href="#">6H42431400</a> Pipe 4	<a href="#">Buy now</a>
14	<a href="#">6922441000</a> Fuel pump assembly	<a href="#">Buy now</a>
15	<a href="#">6A02441300</a> Cover, pump	<a href="#">Buy now</a>
16	<a href="#">6922441100</a> Diaphragm	<a href="#">Buy now</a>

# Fuel



Ref	Part	
17	<a href="#">6482443401</a> Gasket, body	<a href="#">Buy now</a>
18	<a href="#">9538003600</a> Nut (6g8)	<a href="#">Buy now</a>
19	<a href="#">6632441100</a> Diaphragm	<a href="#">Buy now</a>
20	<a href="#">6482443502</a> Gasket, body 2	<a href="#">Buy now</a>
21	<a href="#">9850305028</a> Ybs86-530 screw,panhead	<a href="#">Buy now</a>
22	<a href="#">9299005100</a> Ybs67-5 washer, spring	<a href="#">Buy now</a>
23	<a href="#">6A02442101</a> Valve, check	<a href="#">Buy now</a>
24	<a href="#">6A01432500</a> Screw, pan head	<a href="#">Buy now</a>
25	<a href="#">6A02441202</a> Body 1	<a href="#">Buy now</a>
26	<a href="#">65024431A0</a> Gasket,fuel pump	<a href="#">Buy now</a>
27	<a href="#">9709506040</a> Bolt (682)	<a href="#">Buy now</a>
29	<a href="#">9044509063</a> Hose (I1500)	<a href="#">Buy now</a>
30	<a href="#">6882437800</a> Pipe, joint	<a href="#">Buy now</a>
31	<a href="#">9044509057</a> Hose (I180)	<a href="#">Buy now</a>
32	<a href="#">6H42431300</a> Pipe 3	<a href="#">Buy now</a>

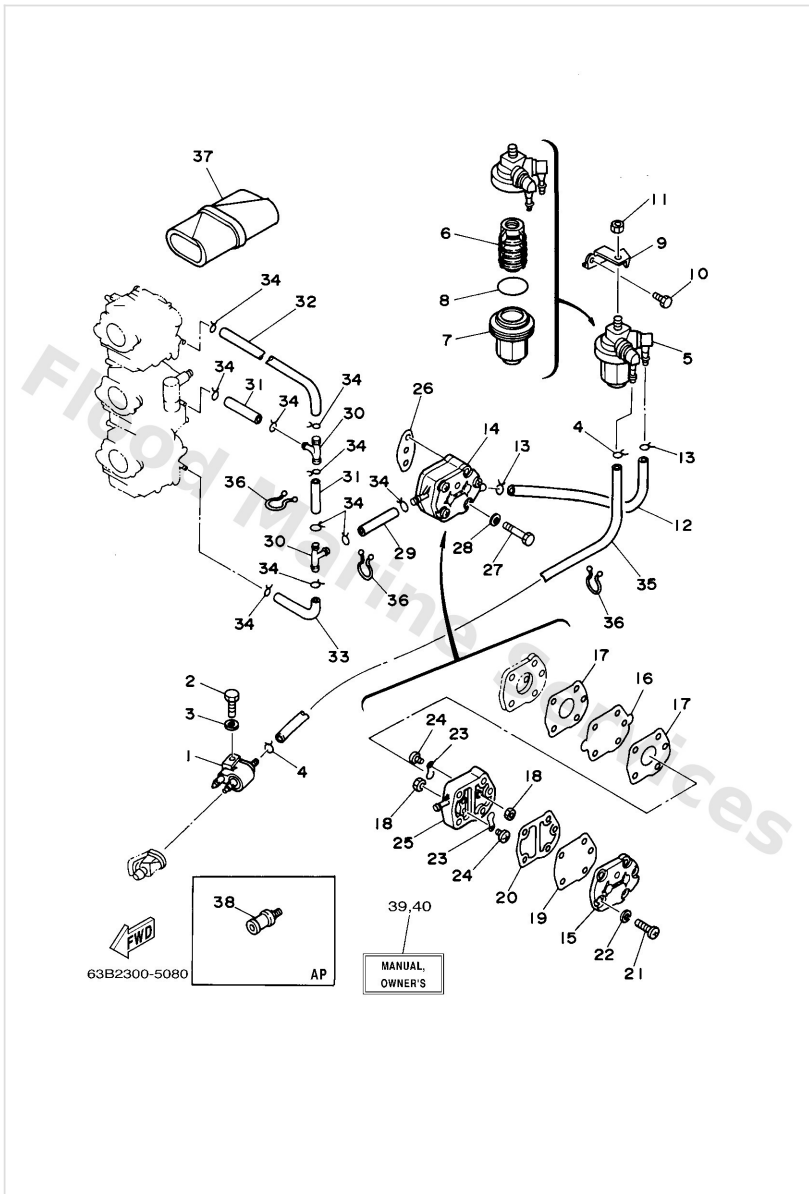
# Fuel



Ref	Part	
33	<a href="#">6H42431200</a> Pipe, fuel 2	<a href="#">Buy now</a>
35	<a href="#">6H42431100</a> Pipe 1	<a href="#">Buy now</a>
36	<a href="#">9046415M11</a> Clamp (3y2)	<a href="#">Buy now</a>
37	<a href="#">656W281002</a> Tool kit AP	<a href="#">Buy now</a>
38	<a href="#">6E0281930094</a> Plug, water check AP D)12.5MM	<a href="#">Buy now</a>
39	<a href="#">63B281997GD0</a> Manual,owner's UR (NL)	<a href="#">Buy now</a>
39	<a href="#">63B281997GE0</a> Manual,owner's UR (E)	<a href="#">Buy now</a>
39	<a href="#">63B281997GF0</a> Manual,owner's UR (F)	<a href="#">Buy now</a>
39	<a href="#">63B281997GG0</a> Manual,owner's UR (D)	<a href="#">Buy now</a>
39	<a href="#">63B281997GH0</a> Manual,owner's UR (I)	<a href="#">Buy now</a>
39	<a href="#">63B281997GS0</a> Manual,owner's UR (ES)	<a href="#">Buy now</a>
40	<a href="#">63B281998GK0</a> Manual,owner's UR (DK)	<a href="#">Buy now</a>
40	<a href="#">63B281998GL0</a> Manual,owner's UR (SF)	<a href="#">Buy now</a>
40	<a href="#">63B281998GM0</a> Manual,owner's UR (S)	<a href="#">Buy now</a>
40	<a href="#">63B281998GN0</a> Manual,owner's UR (N)	<a href="#">Buy now</a>

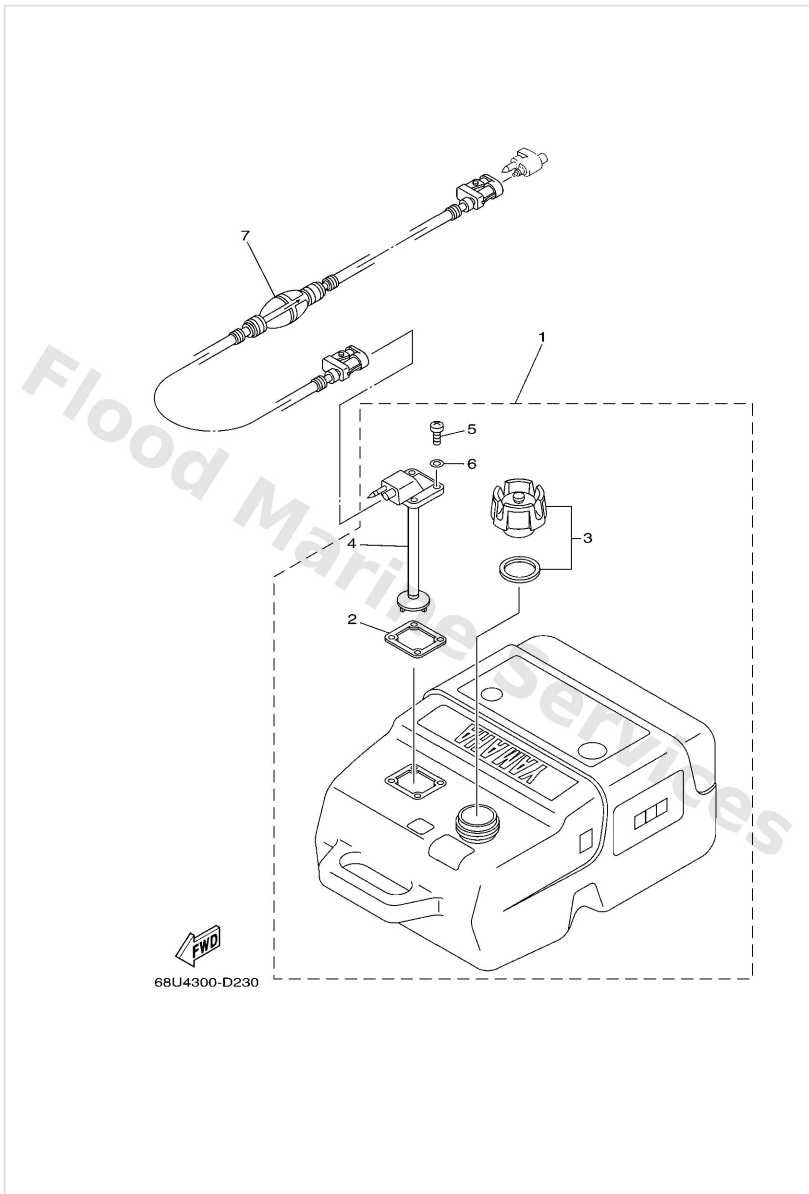


# Fuel



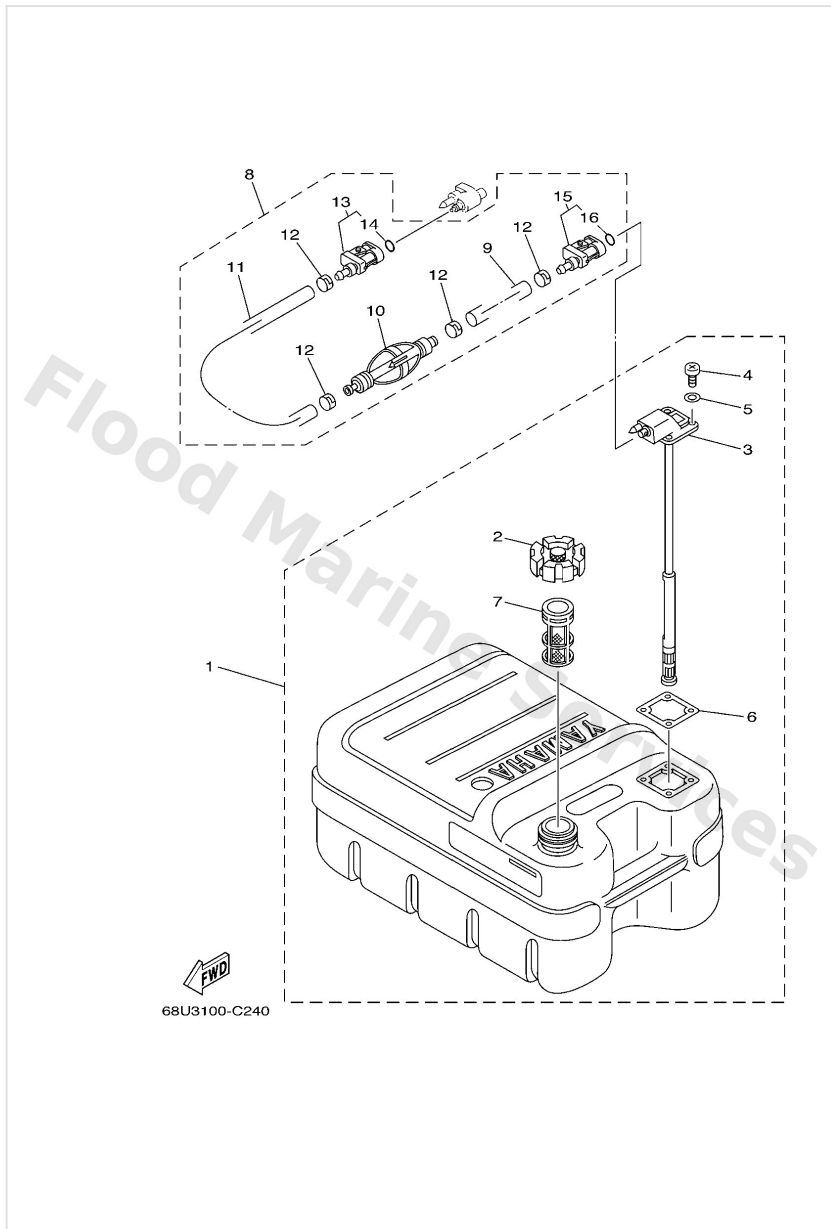
Ref	Part	
40	<a href="#">63B281998GP0</a> Manual,owner's UR (P)	<a href="#">Buy now</a>
40	<a href="#">63B281998GR0</a> Manual,owner's UR (GR)	<a href="#">Buy now</a>

# Fuel Tank 1



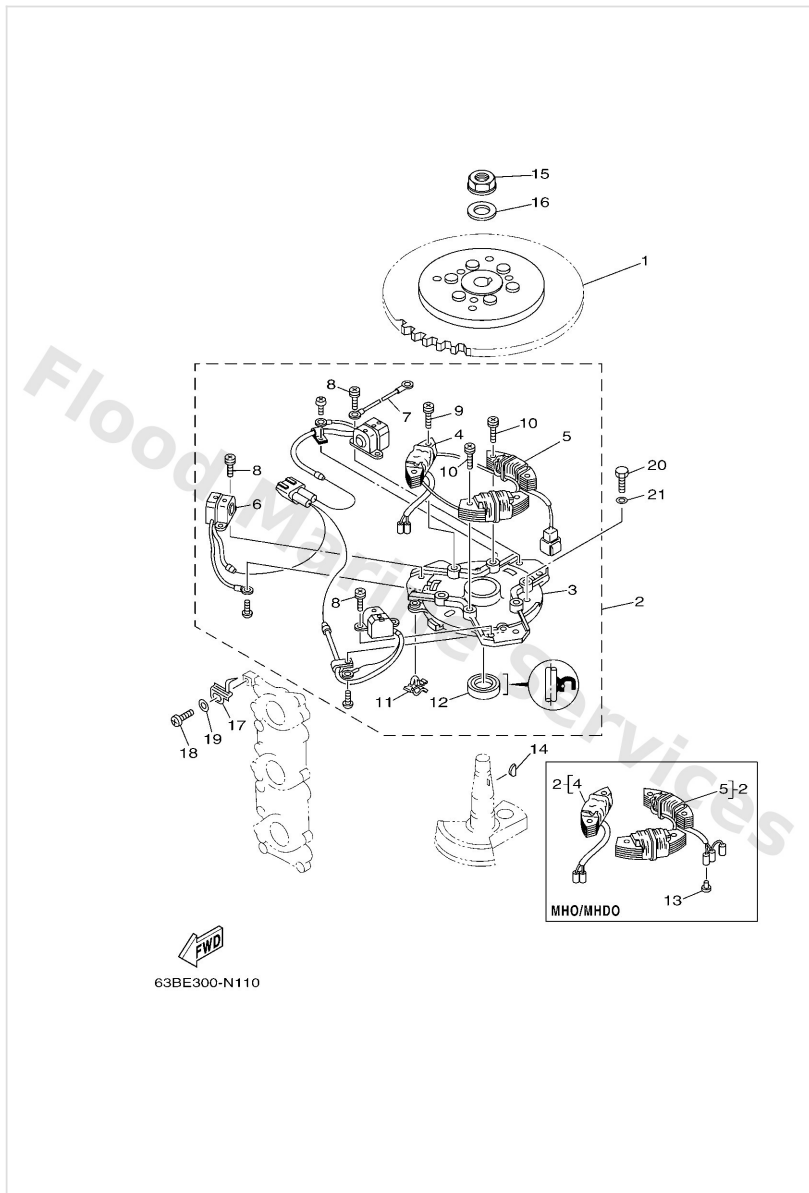
Ref	Part	
1	<a href="#">6YK2420103</a> Fuel Tank assembly (25L) AP EXCEPT FOR RUS	<a href="#">Buy now</a>
2	<a href="#">6YL2426801</a> Gasket, fuel meter	<a href="#">Buy now</a>
3	<a href="#">6YK2461001</a> Cap assembly	<a href="#">Buy now</a>
4	<a href="#">6YK2426001</a> Fuel meter assembly	<a href="#">Buy now</a>
5	<a href="#">9015705M16</a> Screw, pan head	<a href="#">Buy now</a>
6	<a href="#">6YL2432900</a> Seal	<a href="#">Buy now</a>
7	<a href="#">6YL2430654</a> Fuel pipe comp. 1 AP EXCEPT FOR RUS	<a href="#">Buy now</a>

# Fuel Tank 2



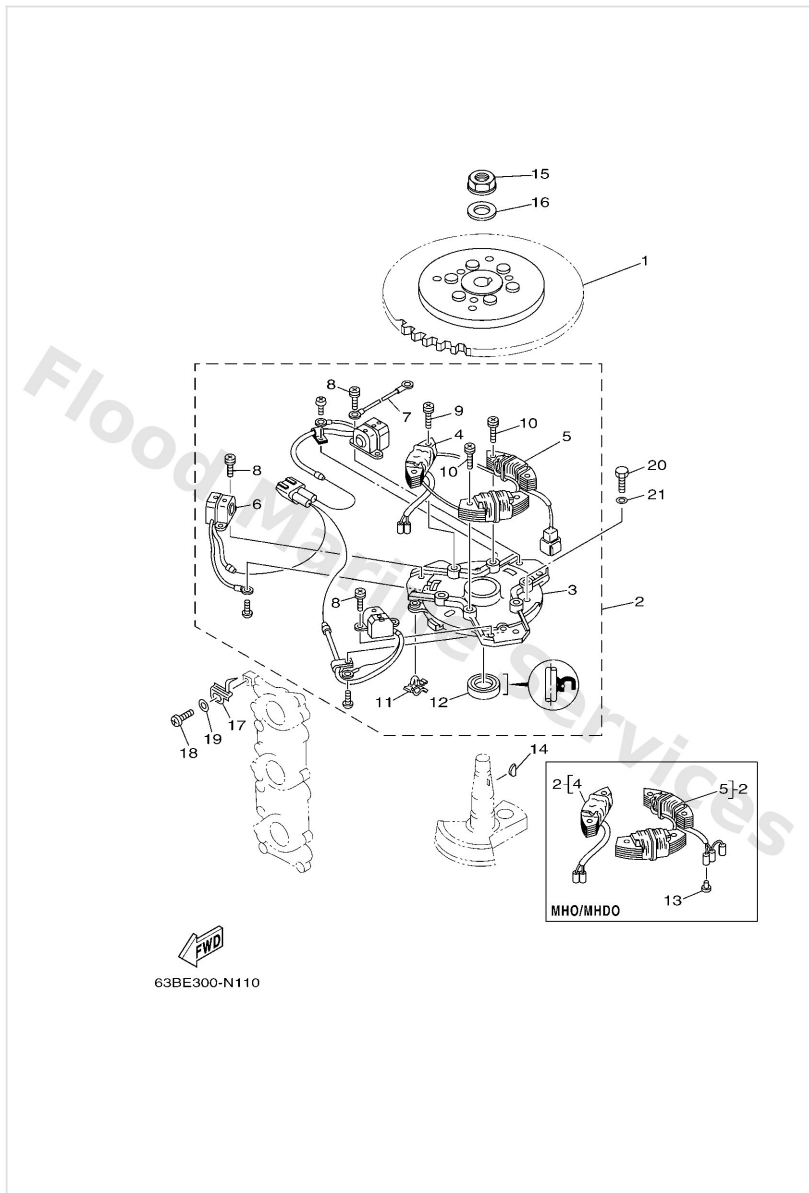
Ref	Part	
1	<a href="#">6YJ2420100</a> Fuel tank comp. AP FOR RUS	<a href="#">Buy now</a>
2	<a href="#">6YJ2461001</a> Cap assembly	<a href="#">Buy now</a>
3	<a href="#">6YJ2426000</a> Fuel meter assembly	<a href="#">Buy now</a>
4	<a href="#">9015705M19</a> Screw, pan head	<a href="#">Buy now</a>
5	<a href="#">6Y12432900</a> Seal	<a href="#">Buy now</a>
6	<a href="#">6Y12426800</a> Gasket, fuel meter	<a href="#">Buy now</a>
7	<a href="#">6YJ2416700</a> Strainer	<a href="#">Buy now</a>
8	<a href="#">61J2430604</a> Fuel pipe comp. 1 AP FOR RUS	<a href="#">Buy now</a>
9	<a href="#">9044511M06</a> Hose (I3000)	<a href="#">Buy now</a>
10	<a href="#">61J2436000</a> Primer pump assembly	<a href="#">Buy now</a>
11	<a href="#">9044511M05</a> Hose (I1000)	<a href="#">Buy now</a>
12	<a href="#">6502435151</a> Band 1	<a href="#">Buy now</a>
13	<a href="#">6G12430505</a> Fuel pipe joint comp. 2	<a href="#">Buy now</a>
14	<a href="#">9321008287</a> O-ring (655)	<a href="#">Buy now</a>
15	<a href="#">6Y12430506</a> Fuel pipe joint comp. 2	<a href="#">Buy now</a>

# Generator



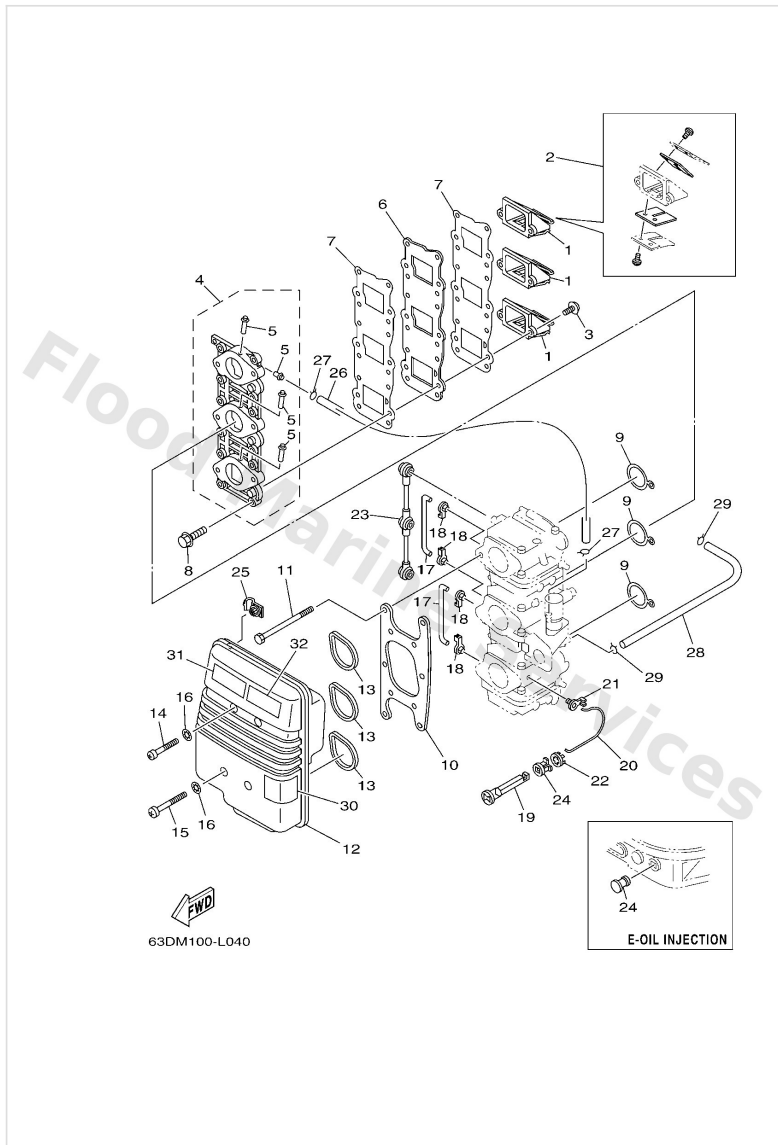
Ref	Part	
1	<a href="#">63D8555000</a> Rotor assembly	<a href="#">Buy now</a>
1	<a href="#">63D8555010</a> Rotor assembly	<a href="#">Buy now</a>
2	<a href="#">63D8556000</a> Base assembly	<a href="#">Buy now</a>
2	<a href="#">63D8556010</a> Base assembly	<a href="#">Buy now</a>
3	<a href="#">6H4153590494</a> Housing, oil seal	<a href="#">Buy now</a>
4	<a href="#">63D8552001</a> Coil, charge	<a href="#">Buy now</a>
5	<a href="#">63D8553300</a> Coil, lighting	<a href="#">Buy now</a>
5	<a href="#">63D8553310</a> Coil, lighting	<a href="#">Buy now</a>
6	<a href="#">63D8558000</a> Coil, pulser	<a href="#">Buy now</a>
7	<a href="#">6H48335400</a> Wire, earth lead 1	<a href="#">Buy now</a>
8	<a href="#">63D8134500</a> Screw, pan	<a href="#">Buy now</a>
9	<a href="#">63D8134510</a> Screw, pan head (76t)	<a href="#">Buy now</a>
10	<a href="#">63D8134520</a> Screw, pan	<a href="#">Buy now</a>
11	<a href="#">9046403M15</a> Clamp(6j8)	<a href="#">Buy now</a>
12	<a href="#">9310223096</a> Oil seal (23x38x7-648)	<a href="#">Buy now</a>

# Generator



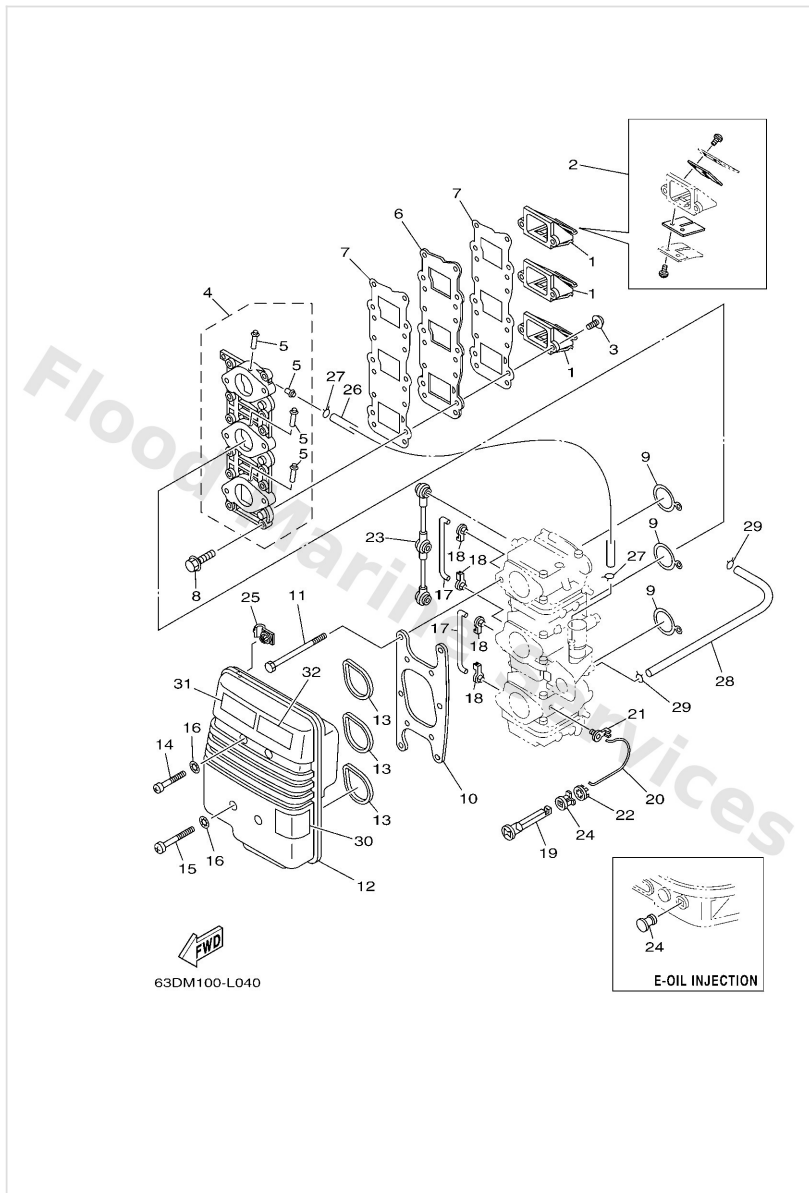
Ref	Part	
13	<a href="#">7038211900</a> Cover, lead wire 40V	<a href="#">Buy now</a>
14	<a href="#">6H41154500</a> Key, woodruff	<a href="#">Buy now</a>
15	<a href="#">9017916M05</a> Nut (689)	<a href="#">Buy now</a>
16	<a href="#">9020116M44</a> Washer (689)	<a href="#">Buy now</a>
17	<a href="#">6H48133200</a> Plate, timing	<a href="#">Buy now</a>
18	<a href="#">9788505010</a> Screw, pan head(62x)	<a href="#">Buy now</a>
19	<a href="#">9299505600</a> Washer, plain (646)	<a href="#">Buy now</a>
20	<a href="#">9701306018</a> Bolt, hexagon	<a href="#">Buy now</a>
21	<a href="#">9290306600</a> Washer, plain (646)	<a href="#">Buy now</a>

# Intake



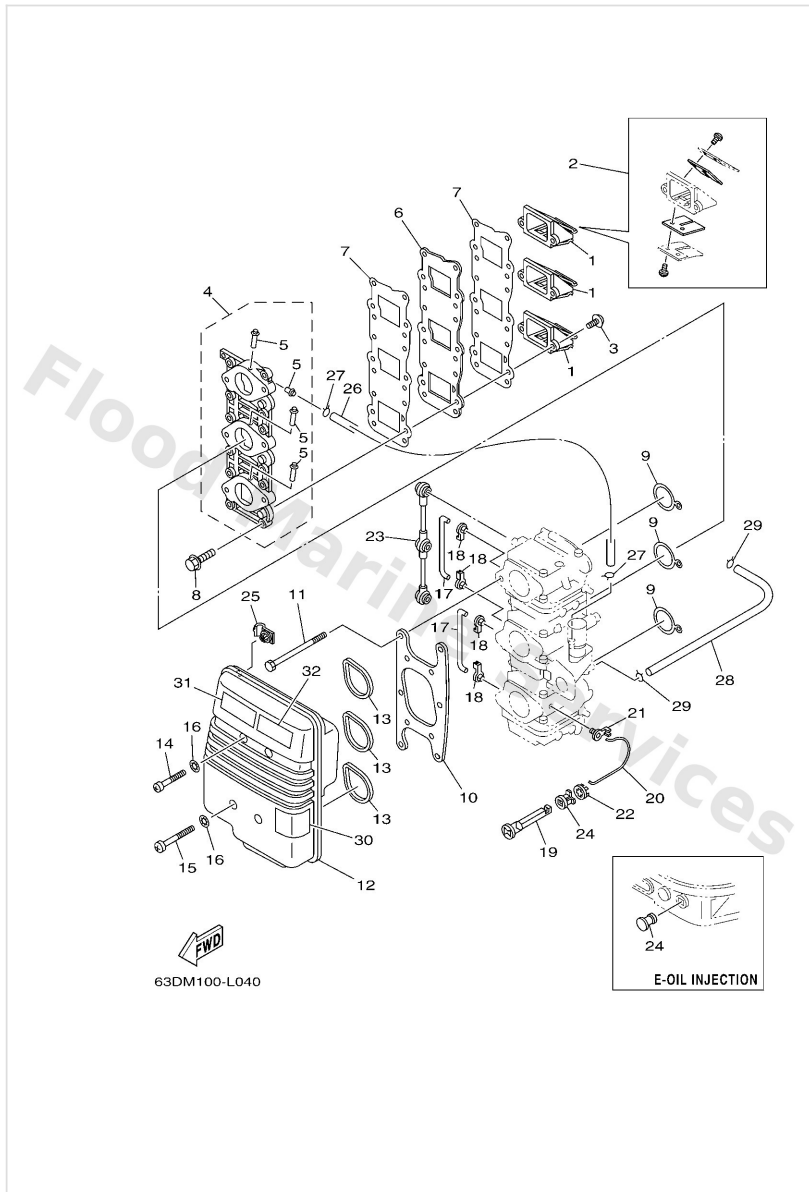
Ref	Part	
1	<a href="#">6H51361000</a> Reed valve assembly	<a href="#">Buy now</a>
2	<a href="#">6H4W000400</a> Reed set	<a href="#">Buy now</a>
3	<a href="#">9798005214</a> Screw, with washer	<a href="#">Buy now</a>
4	<a href="#">6H41364112</a> Manifold 1 E-O/I	<a href="#">Buy now</a>
4	<a href="#">6H41364130</a> Manifold 1 M-O/I	<a href="#">Buy now</a>
5	<a href="#">6H11448500</a> Pipe, joint FOR 6H4-13641-12	<a href="#">Buy now</a>
6	<a href="#">6H41362401</a> Plate, reed valve	<a href="#">Buy now</a>
7	<a href="#">6H413621A1</a> Gasket, valve seat	<a href="#">Buy now</a>
8	<a href="#">9011906MA2</a> Bolt, with washer	<a href="#">Buy now</a>
9	<a href="#">6H41419801</a> Gasket	<a href="#">Buy now</a>
10	<a href="#">6H41440600</a> Hinge	<a href="#">Buy now</a>
11	<a href="#">9709506095</a> Bolt, hexagon deep recess	<a href="#">Buy now</a>
12	<a href="#">6H41443102</a> Silencer, intake 1	<a href="#">Buy now</a>
12	<a href="#">6H41443113</a> Silencer, intake 1	<a href="#">Buy now</a>
13	<a href="#">6H31445701</a> Seal	<a href="#">Buy now</a>

# Intake



Ref	Part	
14	<a href="#">9788506040</a> Screw pan head	<a href="#">Buy now</a>
15	<a href="#">9788506055</a> Screw, panhead (gc2)	<a href="#">Buy now</a>
16	<a href="#">9020906M05</a> Washer (688)	<a href="#">Buy now</a>
17	<a href="#">6H44125700</a> Rod, choke link 2	<a href="#">Buy now</a>
18	<a href="#">6614126202</a> Joint, choke lever	<a href="#">Buy now</a>
19	<a href="#">6H44127102</a> Knob, choke	<a href="#">Buy now</a>
20	<a href="#">6H44125901</a> Rod, choke 3	<a href="#">Buy now</a>
21	<a href="#">6J84126200</a> Joint, choke lever	<a href="#">Buy now</a>
22	<a href="#">6J84127400</a> Grommet 2	<a href="#">Buy now</a>
23	<a href="#">6H44121701</a> Rod, accel. lever	<a href="#">Buy now</a>
24	<a href="#">6G14274800</a> Grommet	<a href="#">Buy now</a>
24	<a href="#">6894127300</a> Grommet	<a href="#">Buy now</a>
25	<a href="#">9046406M19</a> Clamp(6h4)	<a href="#">Buy now</a>
26	<a href="#">9044507MA5</a> Hose (l200)	<a href="#">Buy now</a>
27	<a href="#">9046706016</a> Clip (655)	<a href="#">Buy now</a>

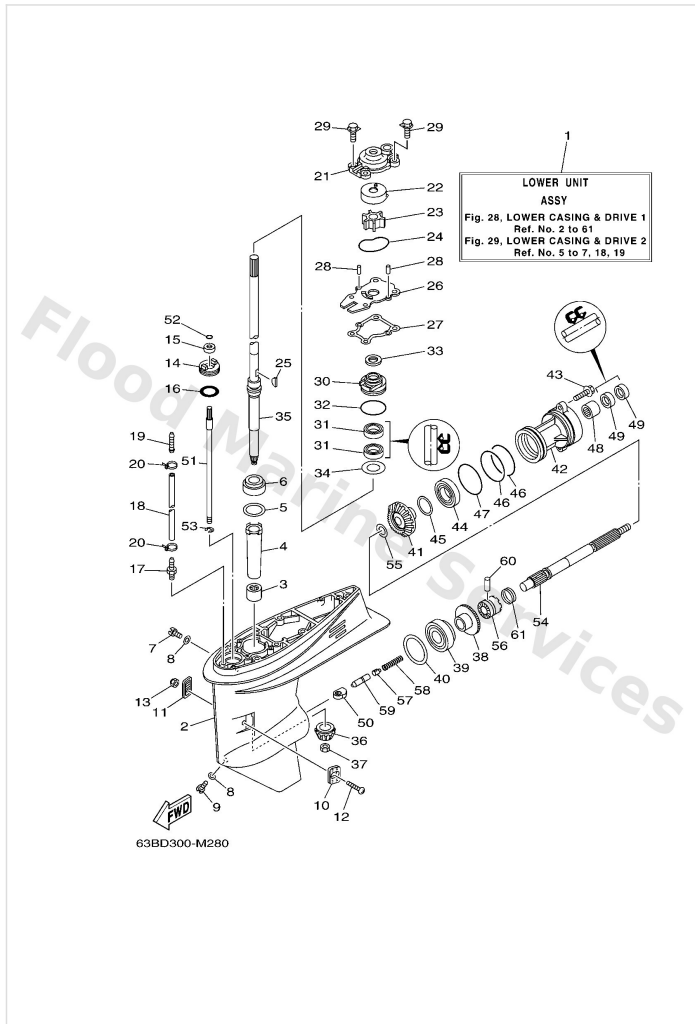
# Intake



Ref	Part	
28	<a href="#">6H31434900</a> Pipe	<a href="#">Buy now</a>
29	<a href="#">9046708004</a> Clip, pipe 6162435600	<a href="#">Buy now</a>
30	<a href="#">6H18571160</a> Mark, caution	<a href="#">Buy now</a>
31	<a href="#">6AH8199440</a> Label, safety	<a href="#">Buy now</a>
32	<a href="#">6AH8199450</a> Label, safety	<a href="#">Buy now</a>

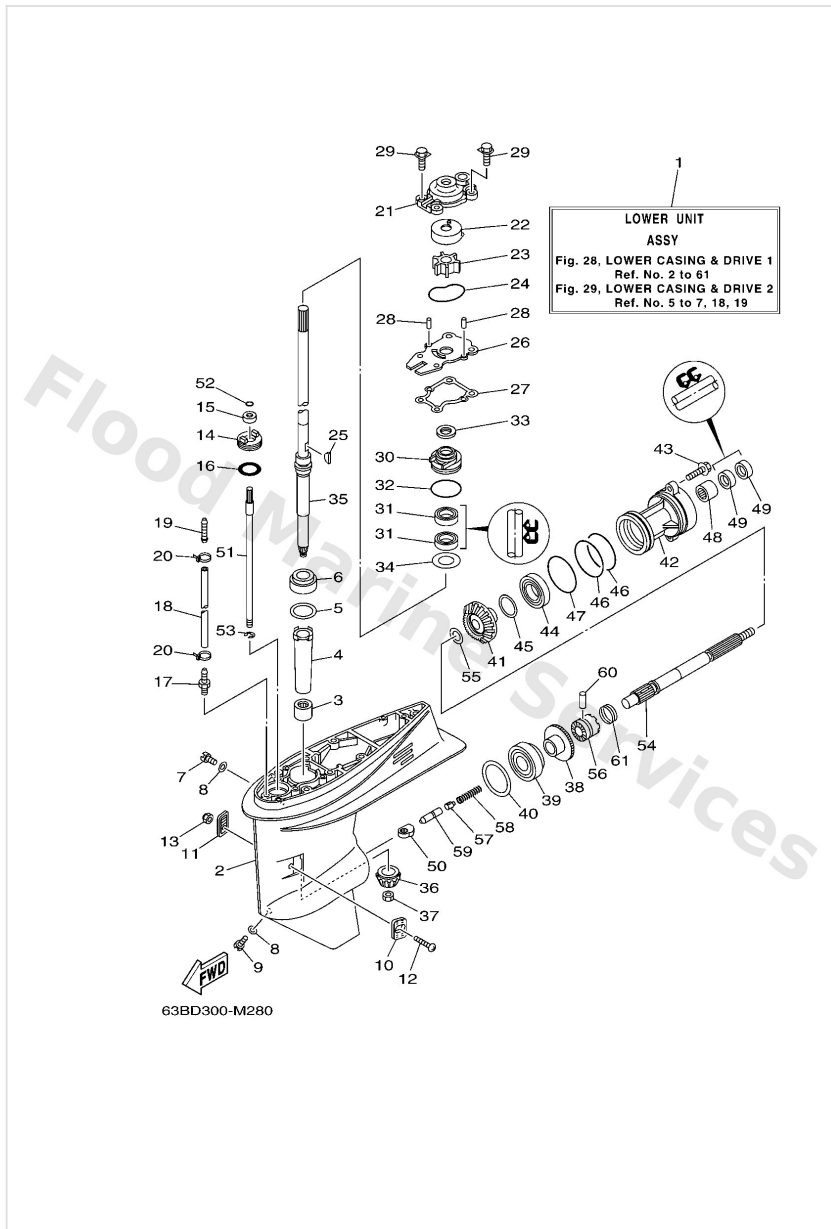


# Lower Casing & Drive 1



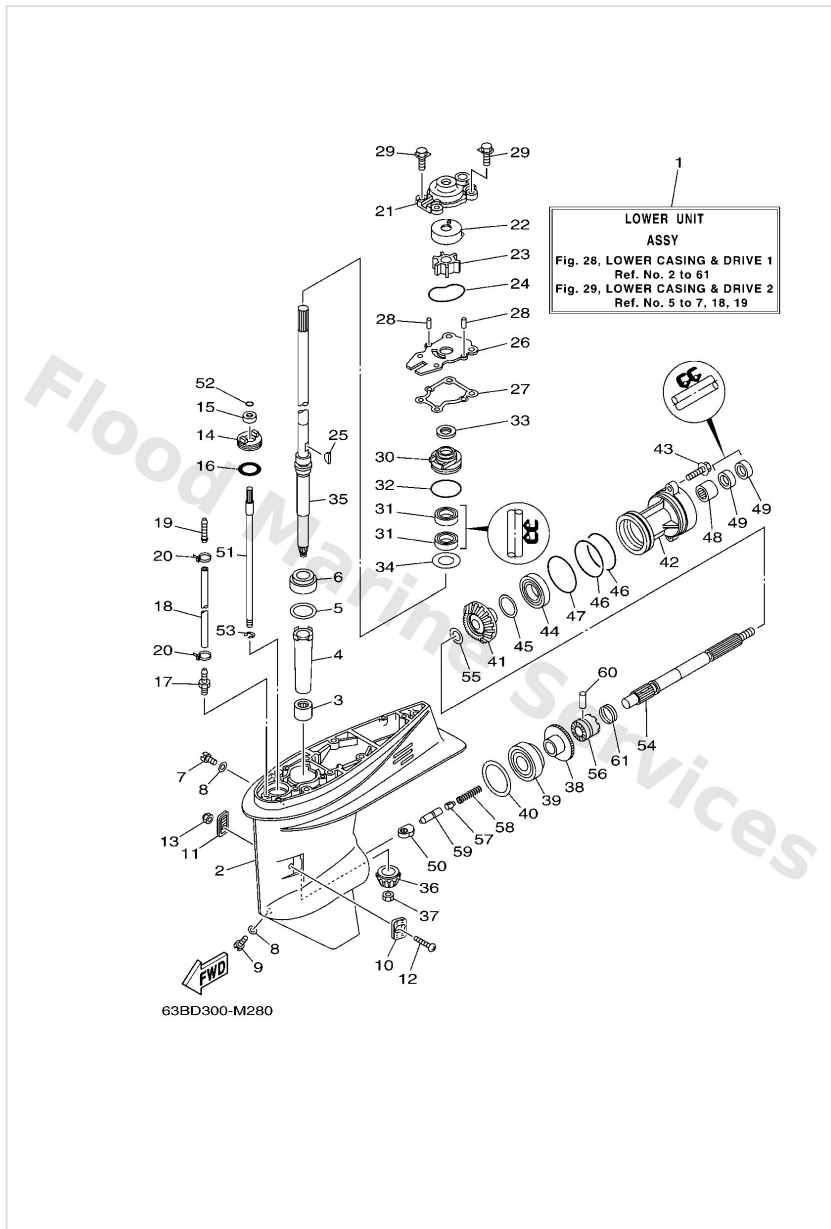
Ref	Part	
1	<a href="#">63D45300034D</a> Lower unit assembly S(16.0")	<a href="#">Buy now</a>
1	<a href="#">63D45300134D</a> Lower unit assembly L(21.0")	<a href="#">Buy now</a>
2	<a href="#">63D45301034D</a> Casing, lower	<a href="#">Buy now</a>
3	<a href="#">9331532224</a> Brg,cyl-cal roller 42.2g nk	<a href="#">Buy now</a>
4	<a href="#">6H44553600</a> Sleeve, drive shaft	<a href="#">Buy now</a>
5	<a href="#">6634558701</a> Shim (t:0.10mm) UR	<a href="#">Buy now</a>
5	<a href="#">6634558710</a> Shim (t:0.12mm) UR	<a href="#">Buy now</a>
5	<a href="#">6634558720</a> Shim (t:0.15mm) UR	<a href="#">Buy now</a>
5	<a href="#">6634558730</a> Shim (t:0.18mm) UR	<a href="#">Buy now</a>
5	<a href="#">6634558740</a> Shim (t:0,30mm) UR	<a href="#">Buy now</a>
5	<a href="#">6634558750</a> Shim (t:0.40mm) UR	<a href="#">Buy now</a>
5	<a href="#">6634558760</a> Shim (t:0.50mm) UR	<a href="#">Buy now</a>
6	<a href="#">9333200001</a> Brg, tapered roller (409)	<a href="#">Buy now</a>
7	<a href="#">9034008002</a> Plug, straight screw	<a href="#">Buy now</a>
8	<a href="#">9043008020</a> Gasket	<a href="#">Buy now</a>

# Lower Casing & Drive 1



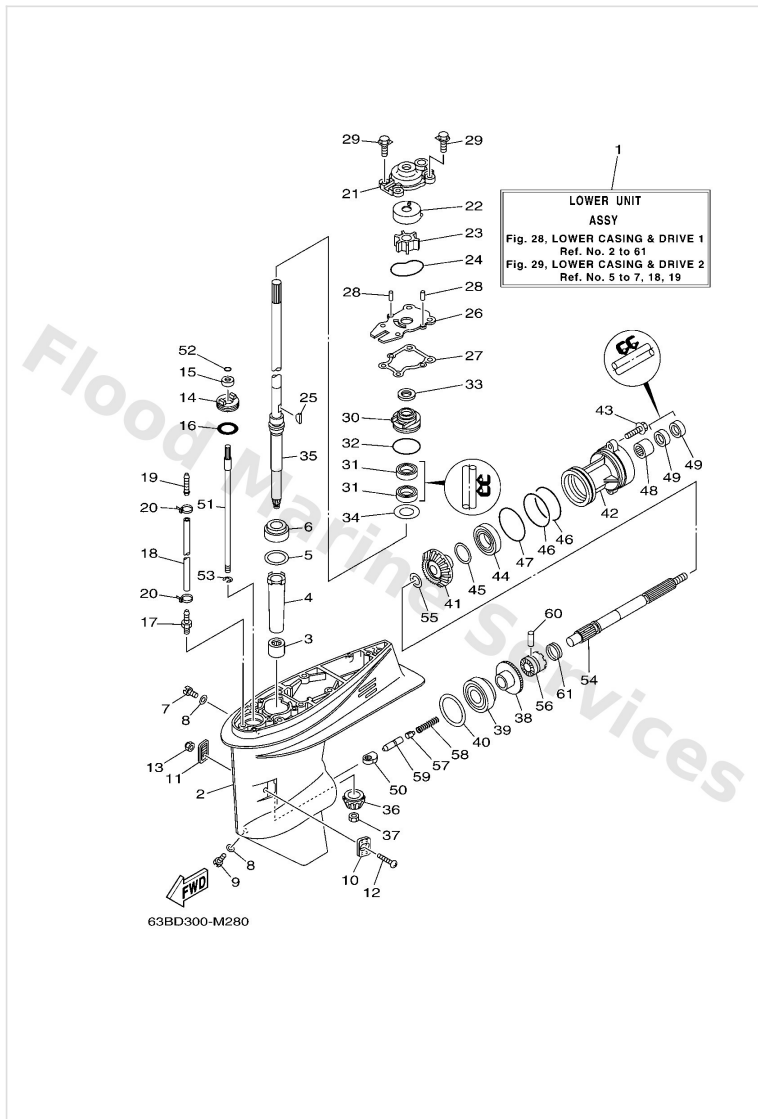
Ref	Part	
9	<a href="#">6884534110</a> Plug, drain	<a href="#">Buy now</a>
10	<a href="#">63D4521400</a> Cover, water inlet	<a href="#">Buy now</a>
11	<a href="#">63D4521500</a> Cover, water inlet	<a href="#">Buy now</a>
12	<a href="#">9015205010</a> Screw, countersunk	<a href="#">Buy now</a>
13	<a href="#">9538005600</a> Nut, hexagon (663)	<a href="#">Buy now</a>
14	<a href="#">63D4532100</a> Plate	<a href="#">Buy now</a>
15	<a href="#">9310609014</a> Oil seal	<a href="#">Buy now</a>
16	<a href="#">9321033MG4</a> O-ring	<a href="#">Buy now</a>
17	<a href="#">6E54537800</a> Nipple, hose	<a href="#">Buy now</a>
18	<a href="#">9044507M31</a> Hose (I200) L(21.0")	<a href="#">Buy now</a>
18	<a href="#">9044507ME9</a> Hose (I250) S(16.0")	<a href="#">Buy now</a>
19	<a href="#">6E58355810</a> End, nipple	<a href="#">Buy now</a>
19	<a href="#">6E58355800</a> End, nipple	<a href="#">Buy now</a>
20	<a href="#">9046511M10</a> Clamp	<a href="#">Buy now</a>
21	<a href="#">63D4431100</a> Housing, water pump	<a href="#">Buy now</a>

# Lower Casing & Drive 1



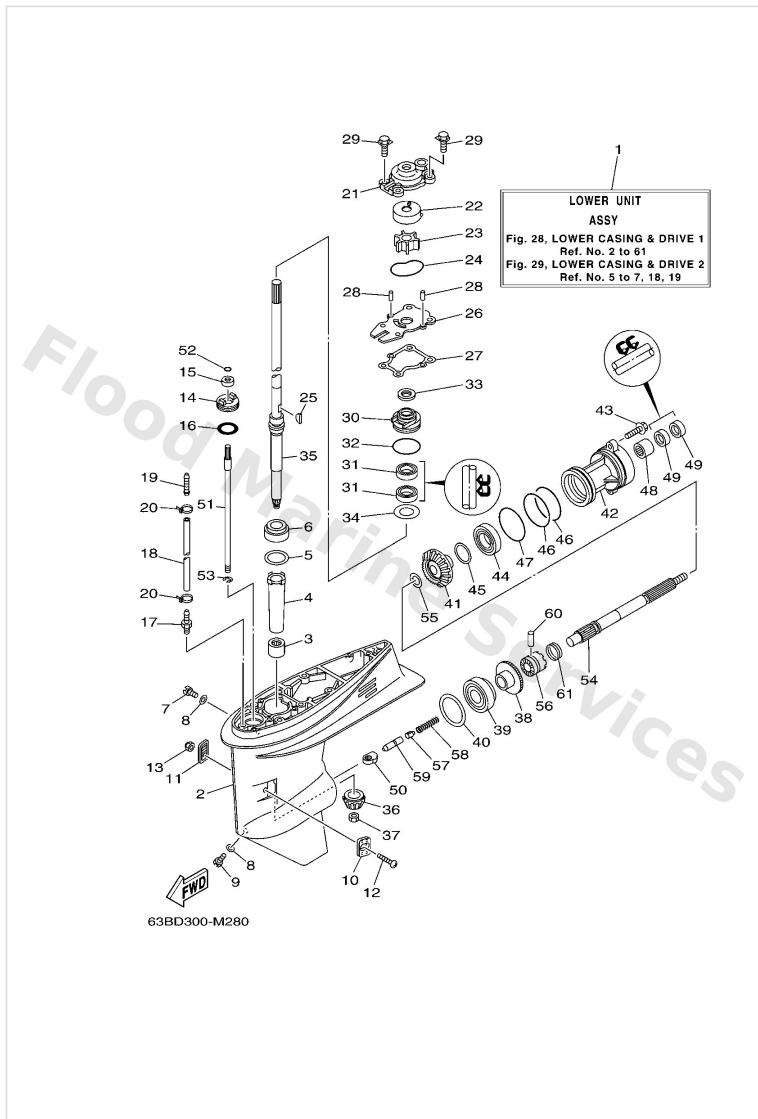
Ref	Part	
22	<a href="#">63D4432200</a> Insert, cartridge	<a href="#">Buy now</a>
23	<a href="#">6H34435200</a> Impellar	<a href="#">Buy now</a>
24	<a href="#">9321059MG7</a> O-ring	<a href="#">Buy now</a>
25	<a href="#">9028003024</a> Key, woodruff(662)	<a href="#">Buy now</a>
26	<a href="#">63D4432300</a> Outer plate, cartridge	<a href="#">Buy now</a>
27	<a href="#">63D4431600</a> Gasket, water pump	<a href="#">Buy now</a>
28	<a href="#">9360408062</a> Pin,dowel (626)	<a href="#">Buy now</a>
29	<a href="#">9011908M15</a> Bolt, with washer(62w)	<a href="#">Buy now</a>
30	<a href="#">6BG4434100</a> Housing, water pump	<a href="#">Buy now</a>
31	<a href="#">9310125M57</a> Oil seal	<a href="#">Buy now</a>
32	<a href="#">9321048001</a> O-ring	<a href="#">Buy now</a>
33	<a href="#">63D4534400</a> Cover, oil seal	<a href="#">Buy now</a>
34	<a href="#">9020127M00</a> Washer, plate(62x)	<a href="#">Buy now</a>
35	<a href="#">63D4550100</a> Drive shaft comp. S(16.0")	<a href="#">Buy now</a>
35	<a href="#">63D4550110</a> Drive shaft comp. L(21.0")	<a href="#">Buy now</a>

# Lower Casing & Drive 1



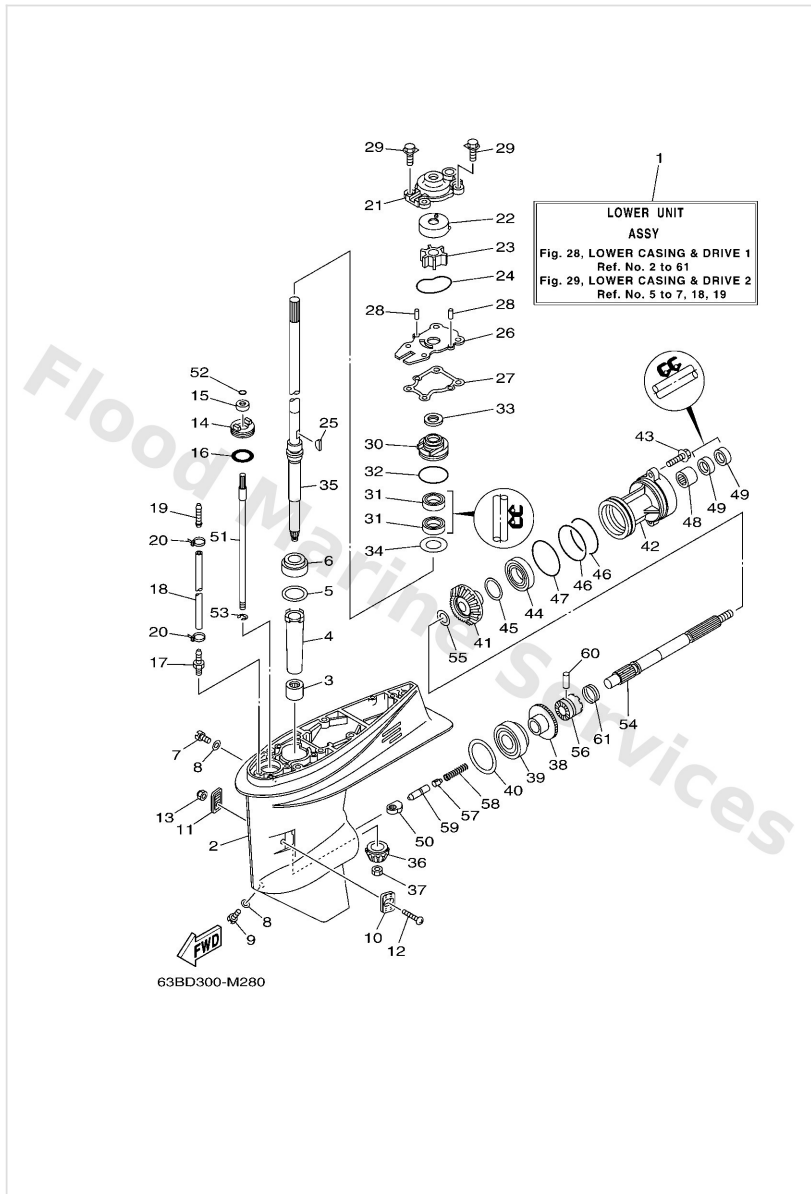
Ref	Part	
36	<a href="#">6H44555101</a> Pinion	<a href="#">Buy now</a>
37	<a href="#">9017012138</a> Nut hexagon(663)	<a href="#">Buy now</a>
38	<a href="#">6H44556001</a> Gear	<a href="#">Buy now</a>
39	<a href="#">9333200003</a> Brg,cyl-cal roller 318g ky	<a href="#">Buy now</a>
40	<a href="#">6634556701</a> Shim (t:0.10mm) UR	<a href="#">Buy now</a>
40	<a href="#">6634556710</a> Shim (t:0.12mm) UR	<a href="#">Buy now</a>
40	<a href="#">6634556720</a> Shim (t:0.15mm) UR	<a href="#">Buy now</a>
40	<a href="#">6634556730</a> Shim (t:0.18mm) UR	<a href="#">Buy now</a>
40	<a href="#">6634556740</a> Shim (t:0.30mm) UR	<a href="#">Buy now</a>
40	<a href="#">6634556750</a> Shim (t:0.40mm) UR	<a href="#">Buy now</a>
40	<a href="#">6634556760</a> Shim (t:0.50mm) UR	<a href="#">Buy now</a>
41	<a href="#">6H44557101</a> Gear	<a href="#">Buy now</a>
42	<a href="#">63D45361024D</a> Cap, lower casing	<a href="#">Buy now</a>
43	<a href="#">9010508M61</a> Bolt, washer based(62x)	<a href="#">Buy now</a>
44	<a href="#">93306001U1</a> Bearing(62x)	<a href="#">Buy now</a>

# Lower Casing & Drive 1



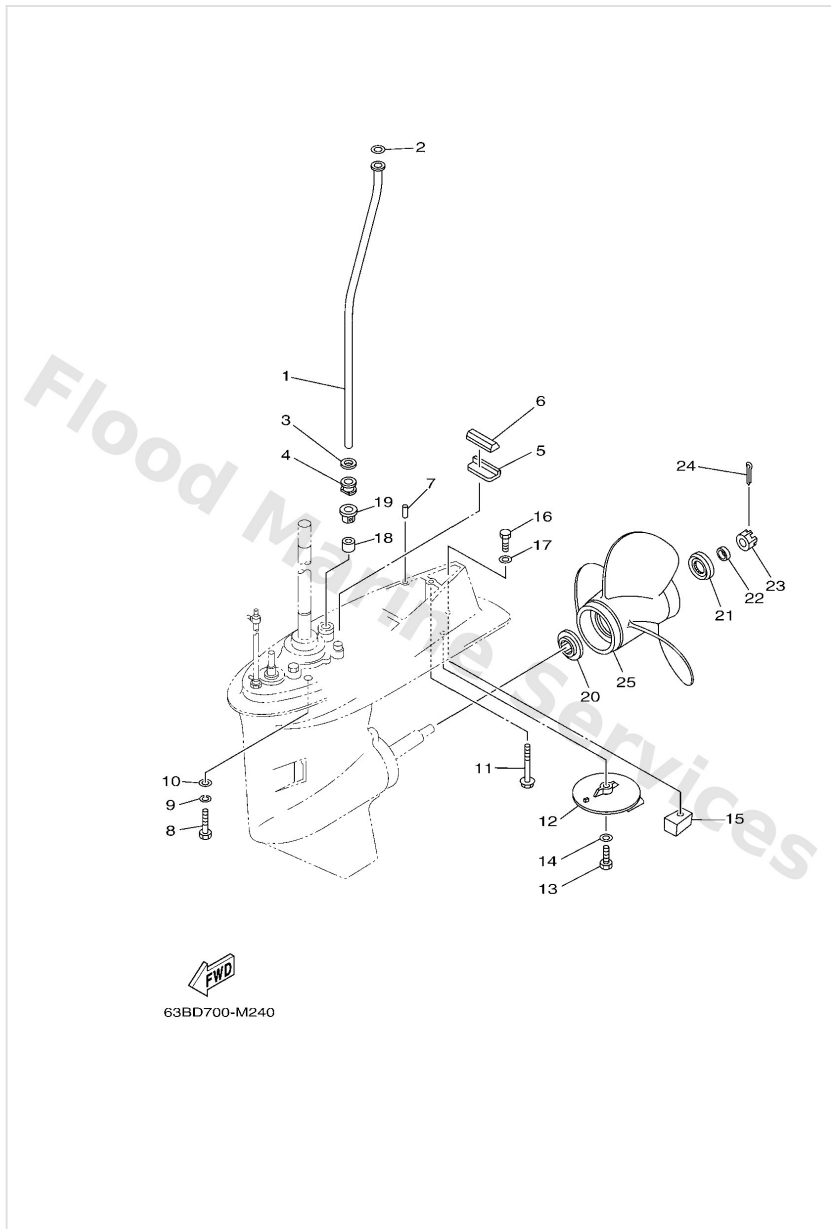
Ref	Part	
45	<a href="#">63D4557700</a> Shim (t:0.10mm) UR	<a href="#">Buy now</a>
45	<a href="#">63D4557710</a> Shim (t:0.12mm) UR	<a href="#">Buy now</a>
45	<a href="#">63D4557720</a> Shim (t:0.15mm) UR	<a href="#">Buy now</a>
45	<a href="#">63D4557730</a> Shim (t:0.18mm) UR	<a href="#">Buy now</a>
45	<a href="#">63D4557740</a> Shim (t:0.30mm) UR	<a href="#">Buy now</a>
45	<a href="#">63D4557750</a> Shim (t:0.40mm) UR	<a href="#">Buy now</a>
45	<a href="#">63D4557760</a> Shim (t:0.50mm) UR	<a href="#">Buy now</a>
46	<a href="#">9321074MG5</a> O-ring (xea)	<a href="#">Buy now</a>
47	<a href="#">9321069MG6</a> O-ring	<a href="#">Buy now</a>
48	<a href="#">9331722204</a> Brg,cyl-cal roller 25.5g nt	<a href="#">Buy now</a>
49	<a href="#">9310122M00</a> Oil seal (22x36x6-663)	<a href="#">Buy now</a>
50	<a href="#">6634415100</a> Cam, shift	<a href="#">Buy now</a>
51	<a href="#">63D4414400</a> Rod, shift	<a href="#">Buy now</a>
52	<a href="#">9321007003</a> O-ring (11m)	<a href="#">Buy now</a>
53	<a href="#">9900108600</a> Circlip(2r6)	<a href="#">Buy now</a>

# Lower Casing & Drive 1



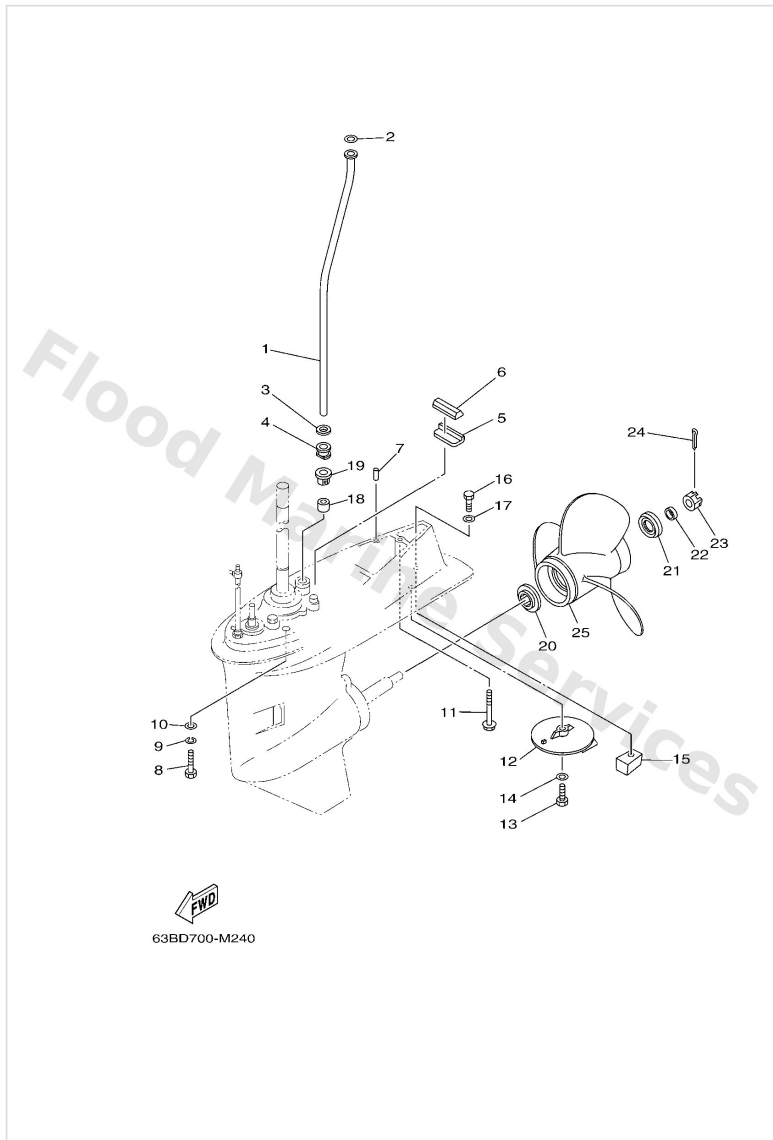
Ref	Part	
54	<a href="#">63D4561100</a> Shaft, propeller	<a href="#">Buy now</a>
55	<a href="#">9020122429</a> Washer, plate(663)	<a href="#">Buy now</a>
56	<a href="#">63D4563101</a> Clutch, dog	<a href="#">Buy now</a>
57	<a href="#">6634563400</a> Slide, shift	<a href="#">Buy now</a>
58	<a href="#">9050116M01</a> Spring compression	<a href="#">Buy now</a>
59	<a href="#">63D4563500</a> Plunger, shift	<a href="#">Buy now</a>
60	<a href="#">9025006023</a> Pin, strait (663)	<a href="#">Buy now</a>
61	<a href="#">6634563300</a> Ring, cross pin	<a href="#">Buy now</a>

## Lower Casing & Drive 2



Ref	Part	
1	<a href="#">63D4436100</a> Tube, water S(16.0")	<a href="#">Buy now</a>
1	<a href="#">63D4436110</a> Tube, water L(21.0")	<a href="#">Buy now</a>
2	<a href="#">9020212060</a> Washer, plate(663)	<a href="#">Buy now</a>
3	<a href="#">9043012072</a> Gasket	<a href="#">Buy now</a>
4	<a href="#">63D4436700</a> Damper, water seal	<a href="#">Buy now</a>
5	<a href="#">6634537600</a> Guide, seal damper	<a href="#">Buy now</a>
6	<a href="#">63D4537500</a> Damper, seal	<a href="#">Buy now</a>
7	<a href="#">9360612019</a> Pin, dowel (614)	<a href="#">Buy now</a>
8	<a href="#">9707510040</a> Bolt, hexagon deep recess	<a href="#">Buy now</a>
9	<a href="#">9299510100</a> Ybs67-10 washer, spring	<a href="#">Buy now</a>
10	<a href="#">9299510600</a> Washer, plate	<a href="#">Buy now</a>
11	<a href="#">9757508560</a> Bolt, hexagon w/w deep recess	<a href="#">Buy now</a>
12	<a href="#">6644537101</a> Tab-trim	<a href="#">Buy now</a>
13	<a href="#">9709508025</a> Bolt (62g)	<a href="#">Buy now</a>
14	<a href="#">9299508600</a> Washer, plain (663)	<a href="#">Buy now</a>

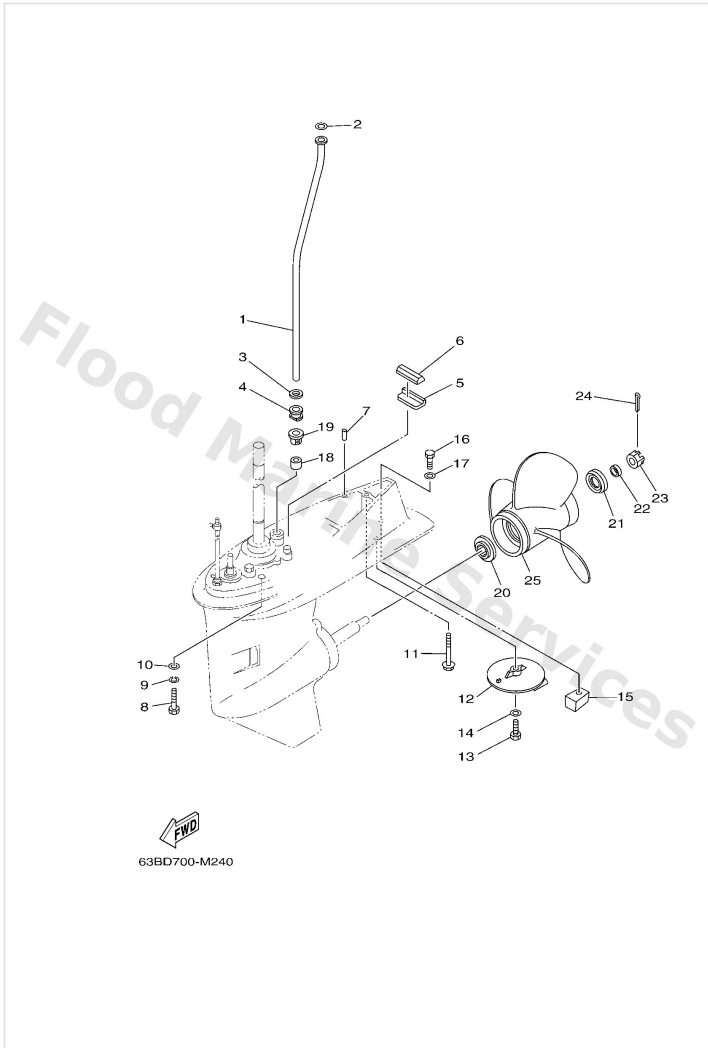
# Lower Casing & Drive 2



Ref	Part	
15	<a href="#">67C4525100</a> Anode	<a href="#">Buy now</a>
16	<a href="#">9709508035</a> Bolt(70w)	<a href="#">Buy now</a>
18	<a href="#">6634436600</a> Damper, water seal 2	<a href="#">Buy now</a>
19	<a href="#">63D4431200</a> Cover, water pump housing	<a href="#">Buy now</a>
20	<a href="#">6634598702</a> Spacer	<a href="#">Buy now</a>
21	<a href="#">66T4599700</a> Spacer 2	<a href="#">Buy now</a>
22	<a href="#">9038922M01</a> Bush	<a href="#">Buy now</a>
23	<a href="#">9017116011</a> Nut, castle (663)	<a href="#">Buy now</a>
24	<a href="#">9149030025</a> Pin cotter	<a href="#">Buy now</a>
25	<a href="#">6634594101</a> Propeller (3x10-3/4"x17"-g) UR	<a href="#">Buy now</a>
25	<a href="#">6634594901</a> Propeller (3x10-3/4"x16"-g) UR	<a href="#">Buy now</a>
25	<a href="#">6634593000</a> Propeller (3x10-1/4"x14"-g) UR	<a href="#">Buy now</a>
25	<a href="#">6634595202</a> Propeller (3x11-3/8x12-g) UR	<a href="#">Buy now</a>
25	<a href="#">6634595401</a> Propeller (3x11-3/4"x10"-g) UR	<a href="#">Buy now</a>
25	<a href="#">6634595601</a> Propeller (3x12-1/4"x9"-g) UR	<a href="#">Buy now</a>

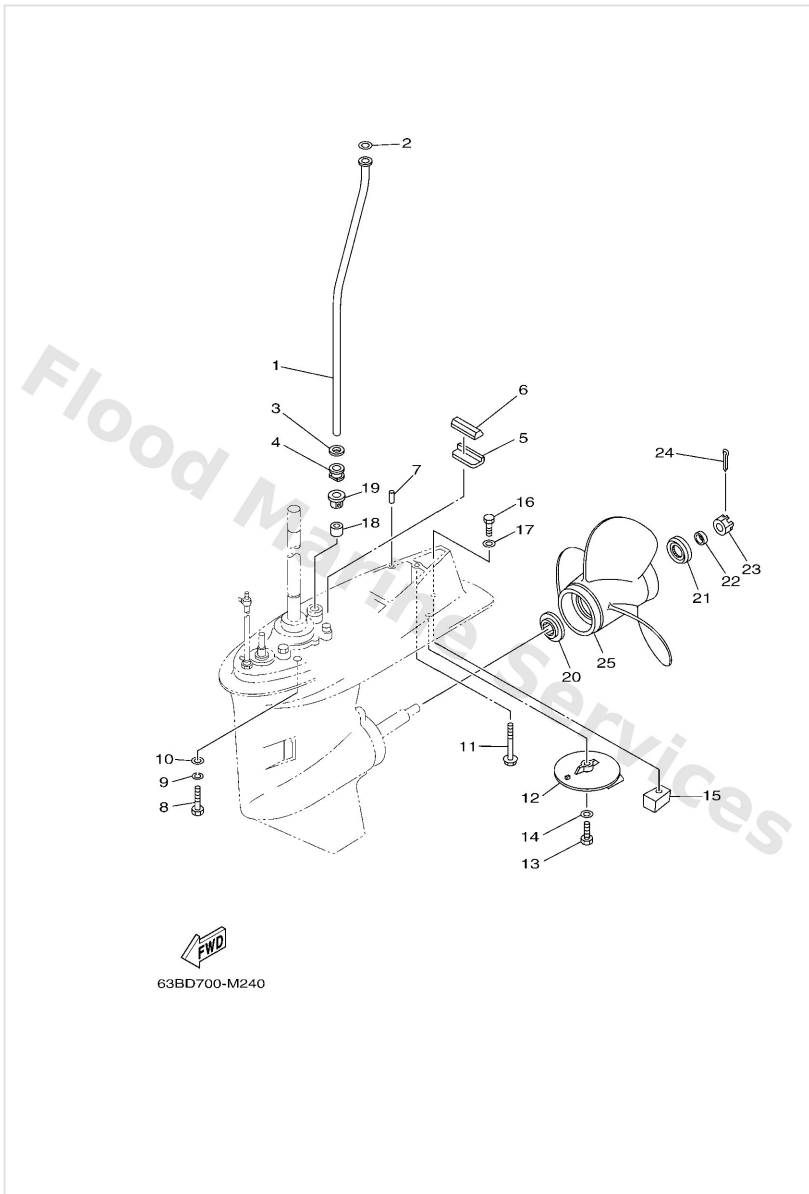


## Lower Casing & Drive 2



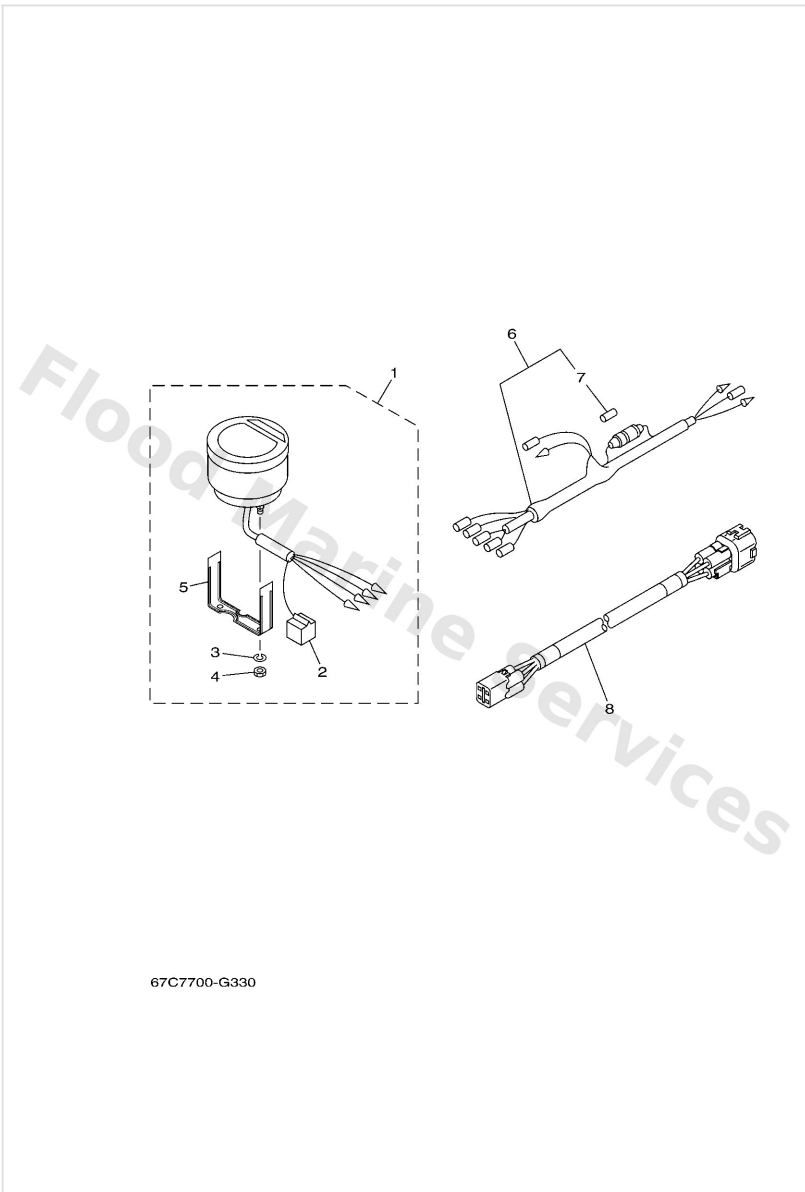
Ref	Part	
25	<a href="#">6634595801</a> Propeller (3x11-1/4"x14"-g) UR	<a href="#">Buy now</a>
25	<a href="#">6634597060</a> Propeller (3x11-3/4"x12"-g) UR	<a href="#">Buy now</a>
25	<a href="#">6634597260</a> Propeller (3x12"x11"-g) UR	<a href="#">Buy now</a>
25	<a href="#">6634597402</a> Propeller (3x10-5/8"x13"-g) UR	<a href="#">Buy now</a>
25	<a href="#">6634597460</a> Propeller (3x11-1/2"x13"-g) UR	<a href="#">Buy now</a>
25	<a href="#">6634597600</a> Propeller (3x10-1/4"x15"-g) UR	<a href="#">Buy now</a>
25	<a href="#">6634597800</a> Propeller (3x10-1/4"x16"-g) UR	<a href="#">Buy now</a>
25	<a href="#">6974597000</a> Propeller (ss 3x11-1/4"x14"-g) UR	<a href="#">Buy now</a>
25	<a href="#">69W4594300</a> Propeller (3x11 x15 -g) UR	<a href="#">Buy now</a>
25	<a href="#">69W4594500</a> Propeller (3x11-1/8"x13"-g) UR	<a href="#">Buy now</a>
25	<a href="#">69W4594700</a> Prop assembly (3x11-5/8"x11"-g) UR	<a href="#">Buy now</a>
25	<a href="#">69W4595200</a> Propeller (3x11-3/8 x12 -g) UR	<a href="#">Buy now</a>
25	<a href="#">69W4595800</a> Propeller (3x11-1/4"x14"-g) UR	<a href="#">Buy now</a>
25	<a href="#">6H54594300</a> Propeller (3x10"x15"-g) UR WITH LIP CUP	<a href="#">Buy now</a>
25	<a href="#">6H54594500</a> Propeller (3x10-3/8"x13"-g) UR WITH LIP CUP	<a href="#">Buy now</a>

## Lower Casing & Drive 2



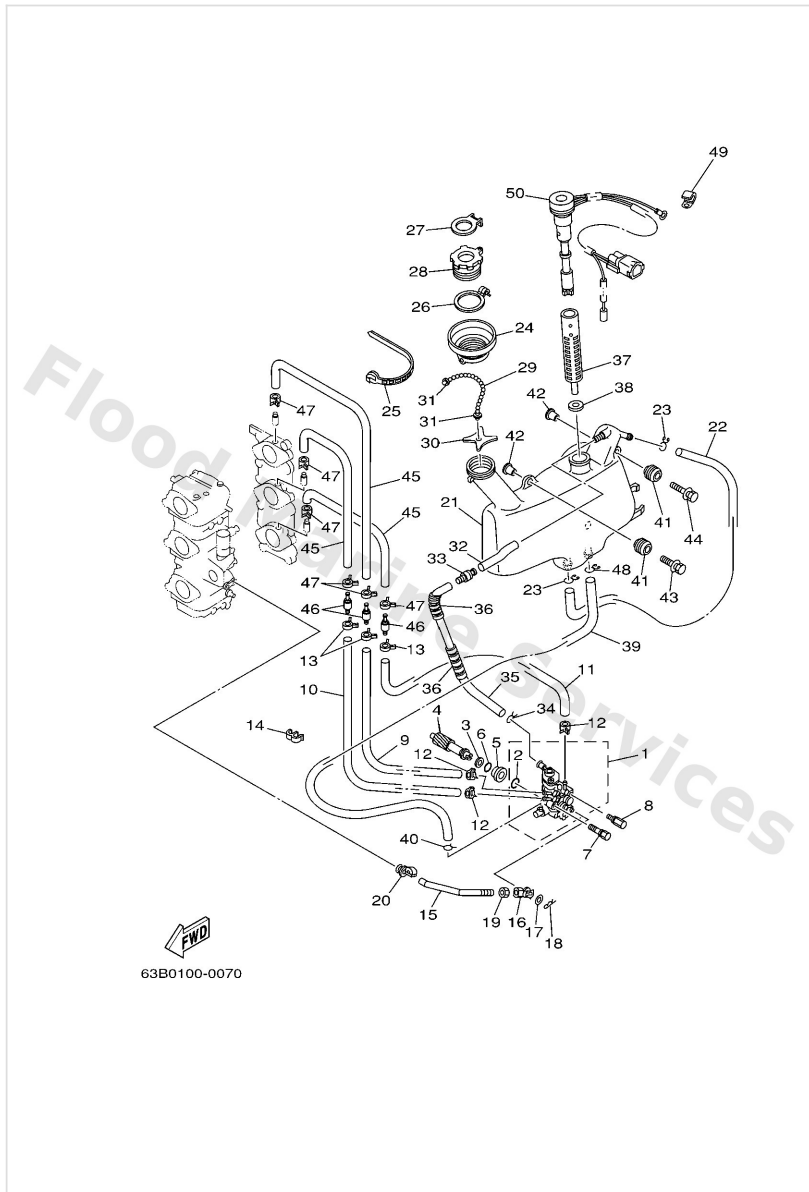
Ref	Part	
25	<a href="#">6H54595200</a> Propeller (3x10-5/8"x12"-g) UR WITH LIP CUP	<a href="#">Buy now</a>
25	<a href="#">6H54595800</a> Propeller (3x10-1/4"x14"-g) UR WITH LIP CUP	<a href="#">Buy now</a>

# Meter



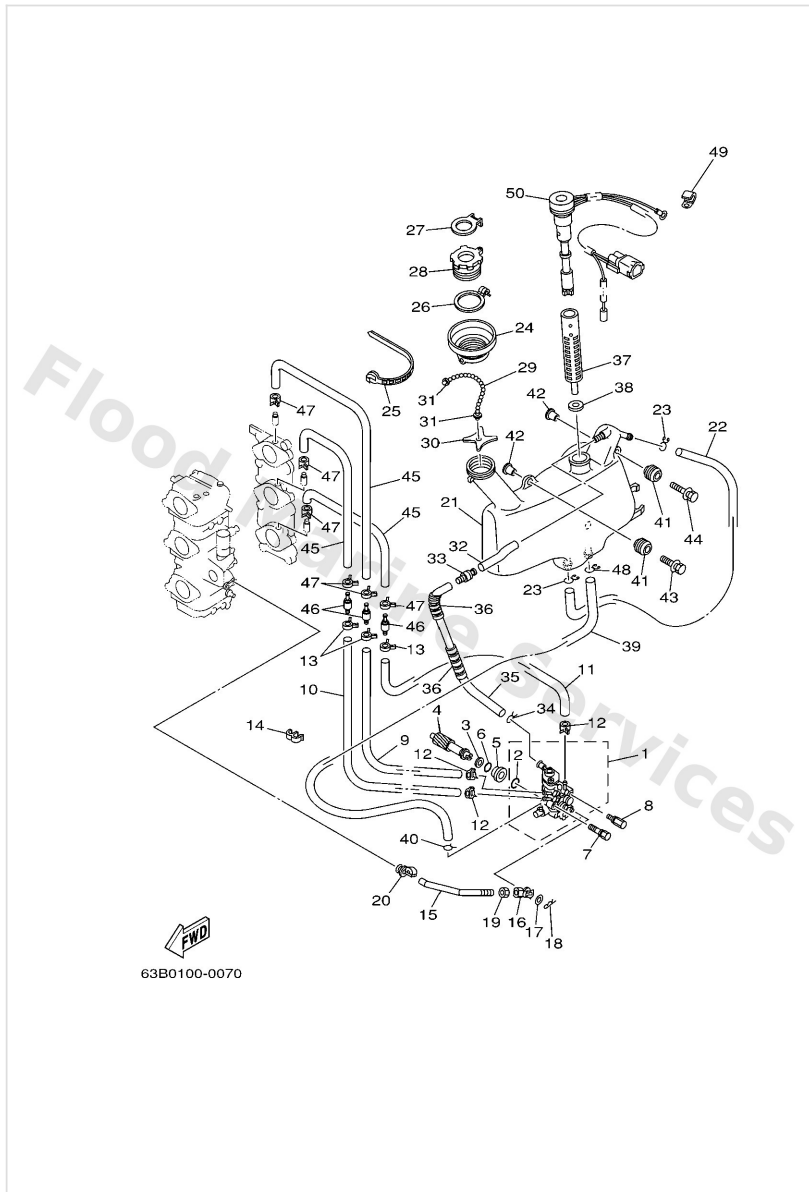
Ref	Part	
1	<a href="#">6Y58350T91</a> Tachometer assembly AP	<a href="#">Buy now</a>
2	<a href="#">9E45004533</a> Housing, f-4-w(5pcs) F-4-W	<a href="#">Buy now</a>
3	<a href="#">9299004100</a> Ybs67-4 washer, spring	<a href="#">Buy now</a>
4	<a href="#">9538004600</a> Nut,hex	<a href="#">Buy now</a>
5	<a href="#">6Y58355XT1</a> Bracket, meter 1	<a href="#">Buy now</a>
6	<a href="#">6Y58355300</a> Wire, lead (l=2.5m) AP	<a href="#">Buy now</a>
7	<a href="#">1E68215100</a> Fuse (10a)	<a href="#">Buy now</a>
8	<a href="#">6Y58365320</a> Wire, lead AP 4P,7M	<a href="#">Buy now</a>

# Oil Pump 1



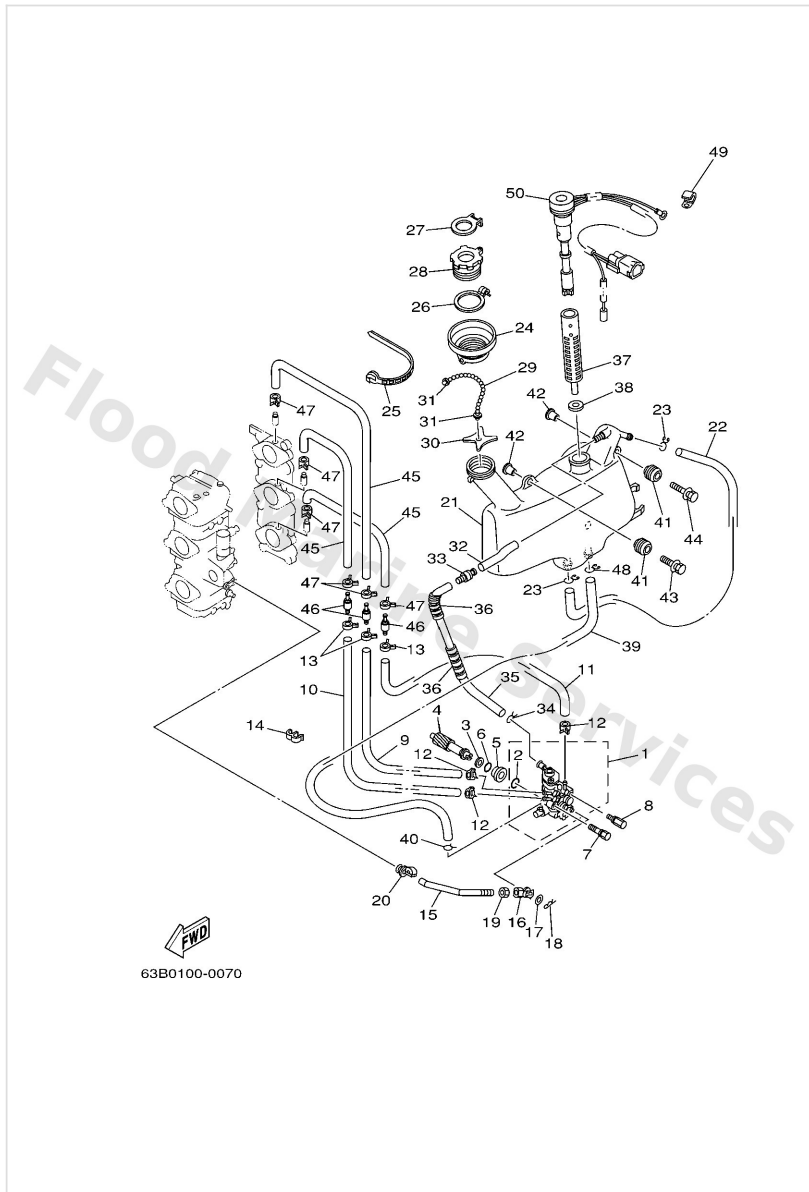
Ref	Part	
1	<a href="#">63D1320000</a> Oil injection pump assembly	<a href="#">Buy now</a>
2	<a href="#">9321019MA7</a> O-ring(6r0)	<a href="#">Buy now</a>
3	<a href="#">9020108M93</a> Washer, plate (6g5)	<a href="#">Buy now</a>
4	<a href="#">6H41153701</a> Gear, driven	<a href="#">Buy now</a>
5	<a href="#">6H11311701</a> Collar, distance	<a href="#">Buy now</a>
6	<a href="#">9321013M04</a> 93210-13m04	<a href="#">Buy now</a>
7	<a href="#">9010906M39</a> Bolt(6h0)	<a href="#">Buy now</a>
8	<a href="#">9010906M40</a> Bolt(6h0)	<a href="#">Buy now</a>
9	<a href="#">9044507M44</a> Hose (I390)	<a href="#">Buy now</a>
10	<a href="#">9044507M23</a> Hose (I570)	<a href="#">Buy now</a>
11	<a href="#">9044507MA6</a> Hose (I200)	<a href="#">Buy now</a>
12	<a href="#">9046807M02</a> Clip (6e5)	<a href="#">Buy now</a>
14	<a href="#">9046407M20</a> Clamp(6h0)	<a href="#">Buy now</a>
15	<a href="#">6H44124101</a> Rod, link	<a href="#">Buy now</a>
16	<a href="#">6H14123700</a> Joint, link	<a href="#">Buy now</a>

# Oil Pump 1



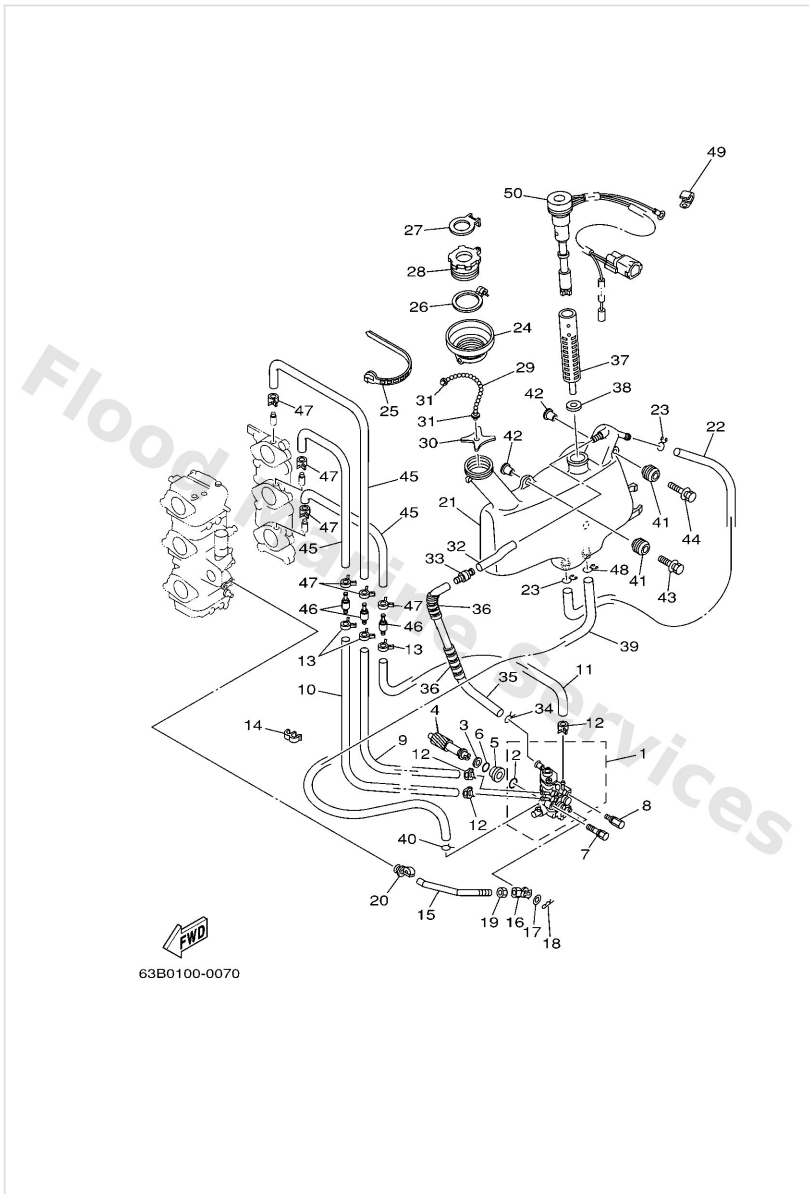
Ref	Part	
17	<a href="#">9020205088</a> Washer, plate (666)	<a href="#">Buy now</a>
18	<a href="#">9046805M03</a> Clip(6j8)	<a href="#">Buy now</a>
19	<a href="#">9538005600</a> Nut, hexagon (663)	<a href="#">Buy now</a>
20	<a href="#">6E94123700</a> Joint, link	<a href="#">Buy now</a>
21	<a href="#">63D2170700</a> Oil tank comp.	<a href="#">Buy now</a>
22	<a href="#">9044511M15</a> Hose (I360)	<a href="#">Buy now</a>
23	<a href="#">9046711M08</a> Clip(72x)	<a href="#">Buy now</a>
24	<a href="#">6H42175200</a> Tube, filler 1	<a href="#">Buy now</a>
25	<a href="#">9046513M30</a> Clamp	<a href="#">Buy now</a>
26	<a href="#">63D2175R00</a> Hook, band	<a href="#">Buy now</a>
27	<a href="#">63D2176M00</a> Hook	<a href="#">Buy now</a>
28	<a href="#">6H42177000</a> Oil tank cap assembly	<a href="#">Buy now</a>
29	<a href="#">6H52463300</a> Chain, Ball	<a href="#">Buy now</a>
30	<a href="#">6j82175800</a> Washer, special 2	<a href="#">Buy now</a>
31	<a href="#">6H12175700</a> Washer, special 1	<a href="#">Buy now</a>

# Oil Pump 1



Ref	Part	
32	<a href="#">9044511M23</a> Hose (I100)	<a href="#">Buy now</a>
33	<a href="#">63D2174400</a> Breather	<a href="#">Buy now</a>
34	<a href="#">9046710M04</a> Clip, pipe 1 (6e9)	<a href="#">Buy now</a>
35	<a href="#">9044511M17</a> Hose (I360)	<a href="#">Buy now</a>
36	<a href="#">9044610M01</a> Tube (6e5)	<a href="#">Buy now</a>
37	<a href="#">6J81341100</a> Strainer, oil	<a href="#">Buy now</a>
38	<a href="#">6J81341400</a> Gasket, strainer cover	<a href="#">Buy now</a>
39	<a href="#">6L21341600</a> Pipe, oil 1	<a href="#">Buy now</a>
40	<a href="#">9046708004</a> Clip, pipe 6162435600	<a href="#">Buy now</a>
41	<a href="#">6A08231700</a> Damper, ignition coil	<a href="#">Buy now</a>
42	<a href="#">9038706119</a> Collar	<a href="#">Buy now</a>
43	<a href="#">9011906M65</a> Bolt, with washer	<a href="#">Buy now</a>
44	<a href="#">9011906M67</a> Bolt, with washer	<a href="#">Buy now</a>
45	<a href="#">9044507M87</a> Hose(62t)	<a href="#">Buy now</a>
46	<a href="#">6E91318370</a> Valve check	<a href="#">Buy now</a>

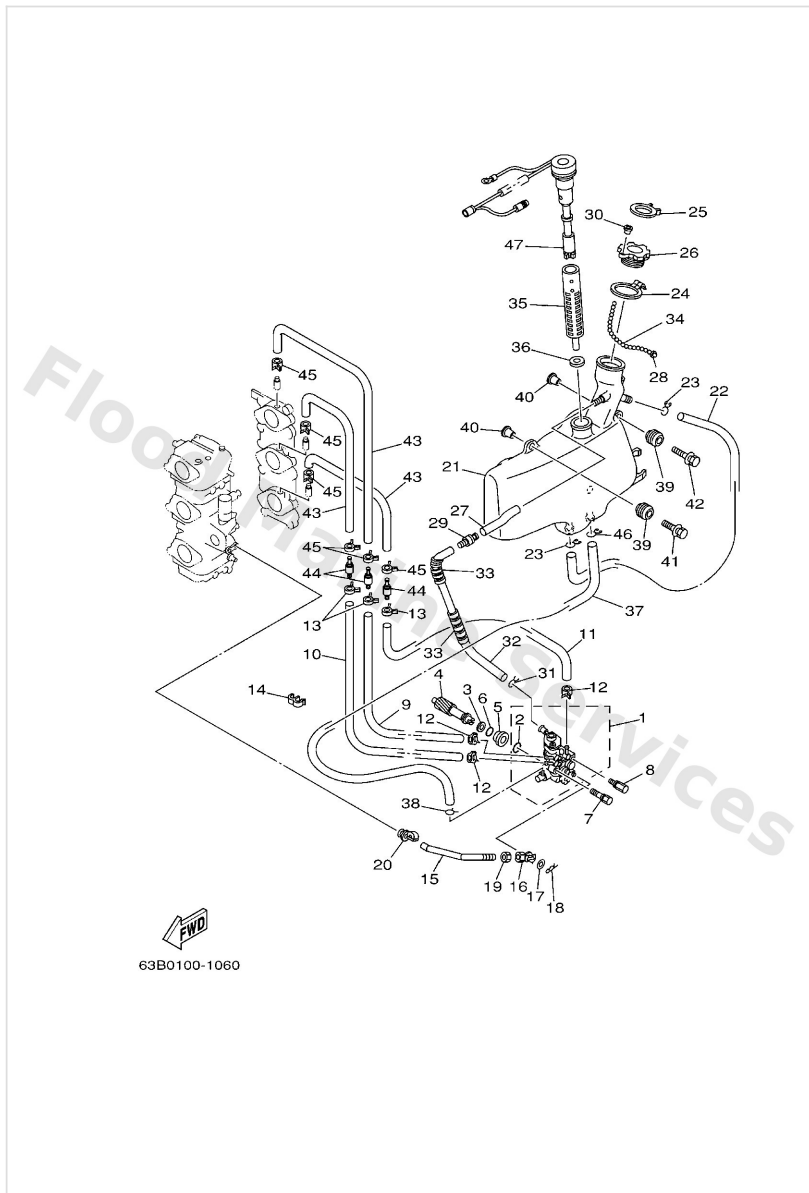
# Oil Pump 1



Ref	Part	
49	<a href="#">9046506M86</a> Clamp	<a href="#">Buy now</a>
50	<a href="#">63D8572001</a> Oil level gauge assembly	<a href="#">Buy now</a>

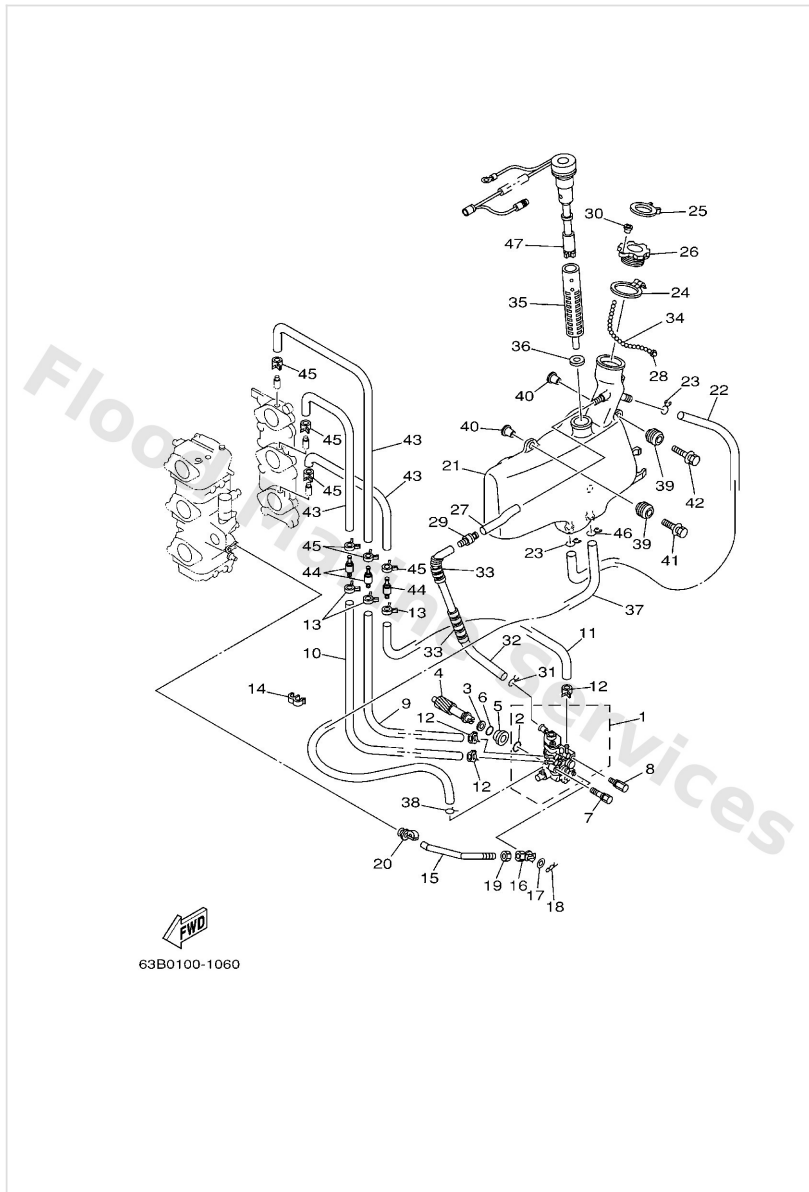


# Oil Pump 2



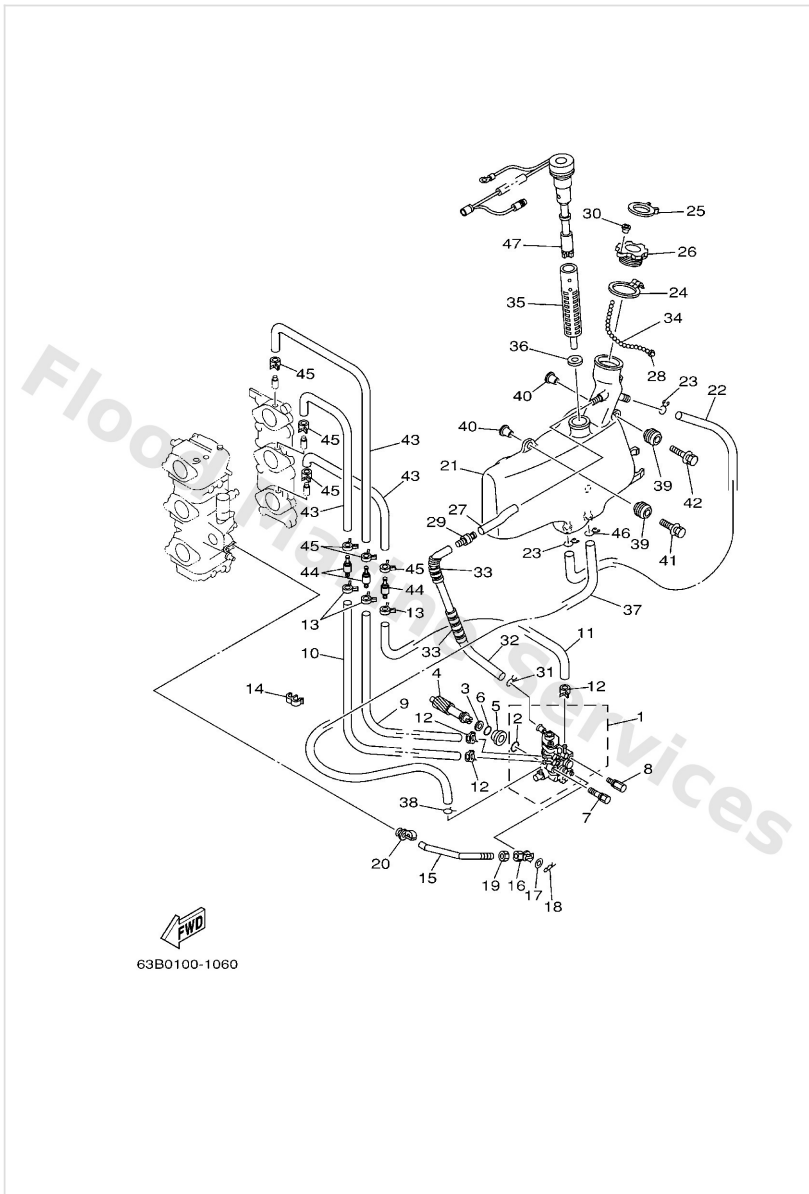
Ref	Part	
1	<a href="#">63D1320000</a> Oil injection pump assembly	<a href="#">Buy now</a>
2	<a href="#">9321019MA7</a> O-ring(6r0)	<a href="#">Buy now</a>
3	<a href="#">9020108M93</a> Washer, plate (6g5)	<a href="#">Buy now</a>
4	<a href="#">6H41153701</a> Gear, driven	<a href="#">Buy now</a>
5	<a href="#">6H11311701</a> Collar, distance	<a href="#">Buy now</a>
6	<a href="#">9321013M04</a> 93210-13m04	<a href="#">Buy now</a>
7	<a href="#">9010906M39</a> Bolt(6h0)	<a href="#">Buy now</a>
8	<a href="#">9010906M40</a> Bolt(6h0)	<a href="#">Buy now</a>
9	<a href="#">9044507M44</a> Hose (I390)	<a href="#">Buy now</a>
10	<a href="#">9044507M23</a> Hose (I570)	<a href="#">Buy now</a>
11	<a href="#">9044507MA6</a> Hose (I200)	<a href="#">Buy now</a>
12	<a href="#">9046807M02</a> Clip (6e5)	<a href="#">Buy now</a>
14	<a href="#">9046407M20</a> Clamp(6h0)	<a href="#">Buy now</a>
15	<a href="#">6H44124101</a> Rod, link	<a href="#">Buy now</a>
16	<a href="#">6H14123700</a> Joint, link	<a href="#">Buy now</a>

# Oil Pump 2



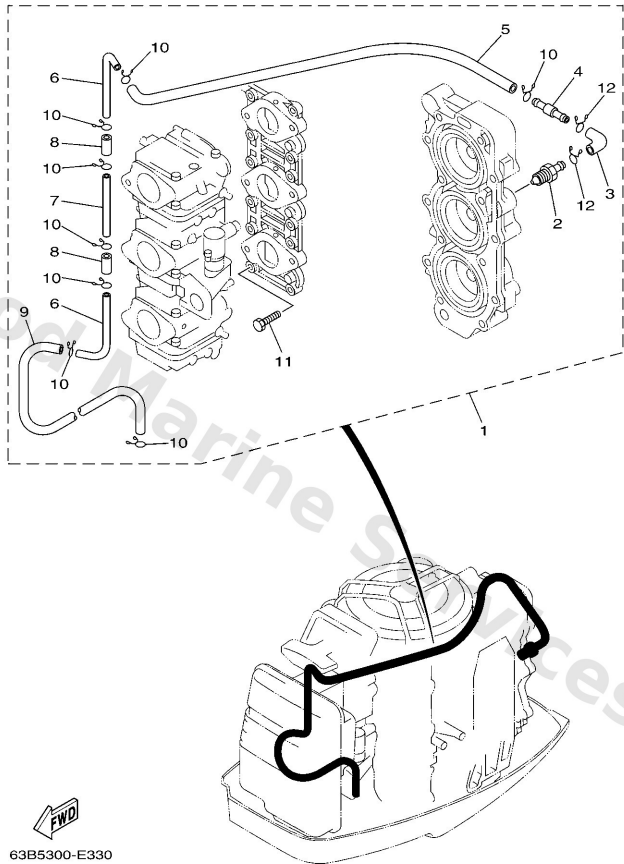
Ref	Part	
17	<a href="#">9020205088</a> Washer, plate (666)	<a href="#">Buy now</a>
18	<a href="#">9046805M03</a> Clip(6j8)	<a href="#">Buy now</a>
19	<a href="#">9538005600</a> Nut, hexagon (663)	<a href="#">Buy now</a>
20	<a href="#">6E94123700</a> Joint, link	<a href="#">Buy now</a>
21	<a href="#">63D2170710</a> Oil tank comp.	<a href="#">Buy now</a>
22	<a href="#">9044511M15</a> Hose (I360)	<a href="#">Buy now</a>
23	<a href="#">9046711M08</a> Clip(72x)	<a href="#">Buy now</a>
24	<a href="#">63D2175R00</a> Hook, band	<a href="#">Buy now</a>
25	<a href="#">63D2176M00</a> Hook	<a href="#">Buy now</a>
26	<a href="#">6H42177000</a> Oil tank cap assembly	<a href="#">Buy now</a>
27	<a href="#">9044511M23</a> Hose (I100)	<a href="#">Buy now</a>
28	<a href="#">6H42175700</a> Washer, special 1	<a href="#">Buy now</a>
29	<a href="#">63D2174400</a> Breather	<a href="#">Buy now</a>
30	<a href="#">6H42463400</a> Hook, chain ball	<a href="#">Buy now</a>
31	<a href="#">9046710M04</a> Clip, pipe 1 (6e9)	<a href="#">Buy now</a>

# Oil Pump 2



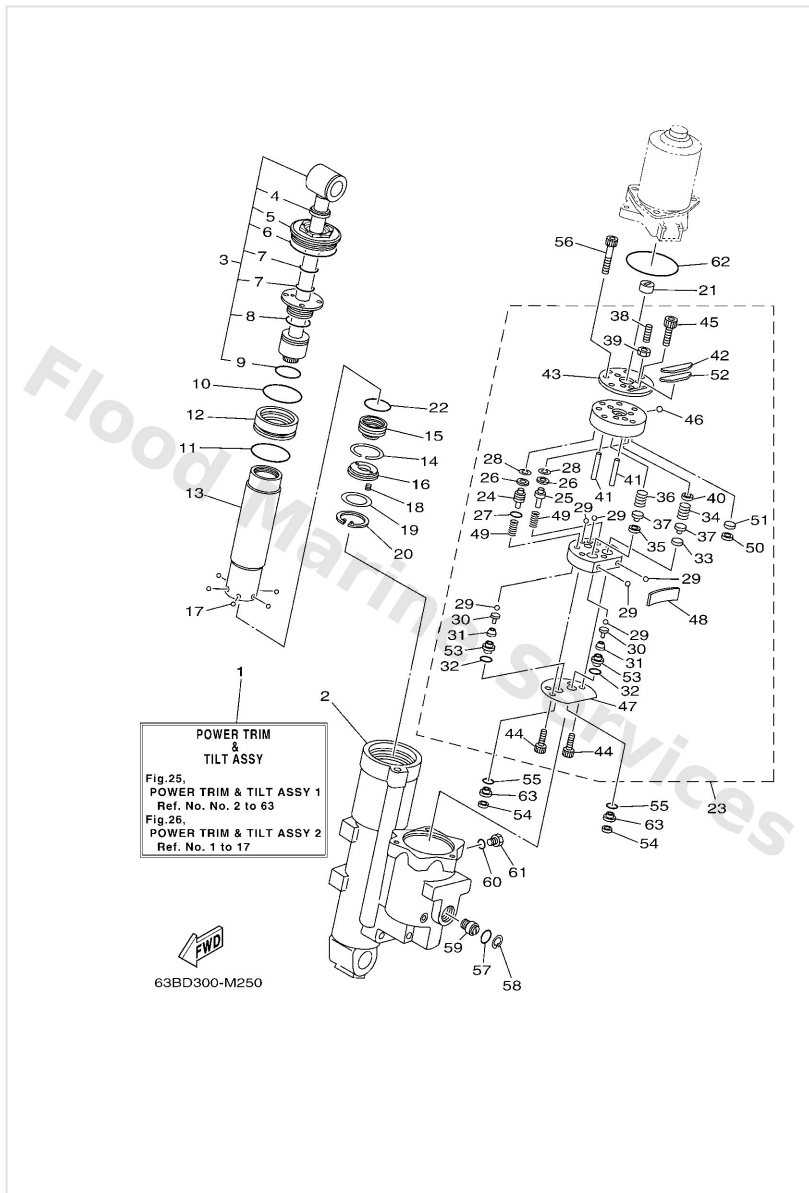
Ref	Part	
32	<a href="#">9044511M17</a> Hose (I360)	<a href="#">Buy now</a>
33	<a href="#">9044610M01</a> Tube (6e5)	<a href="#">Buy now</a>
34	<a href="#">6H42463300</a> Chain, ball	<a href="#">Buy now</a>
35	<a href="#">6J81341100</a> Strainer, oil	<a href="#">Buy now</a>
36	<a href="#">6J81341400</a> Gasket, strainer cover	<a href="#">Buy now</a>
37	<a href="#">6L21341600</a> Pipe, oil 1	<a href="#">Buy now</a>
38	<a href="#">9046708004</a> Clip, pipe 6162435600	<a href="#">Buy now</a>
39	<a href="#">6A08231700</a> Damper, ignition coil	<a href="#">Buy now</a>
40	<a href="#">9038706119</a> Collar	<a href="#">Buy now</a>
41	<a href="#">9011906M65</a> Bolt, with washer	<a href="#">Buy now</a>
42	<a href="#">9011906M67</a> Bolt, with washer	<a href="#">Buy now</a>
43	<a href="#">9044507M87</a> Hose(62t)	<a href="#">Buy now</a>
44	<a href="#">6E91318370</a> Valve check	<a href="#">Buy now</a>
47	<a href="#">63D8572011</a> Oil level gauge assembly	<a href="#">Buy now</a>

# Optional Parts



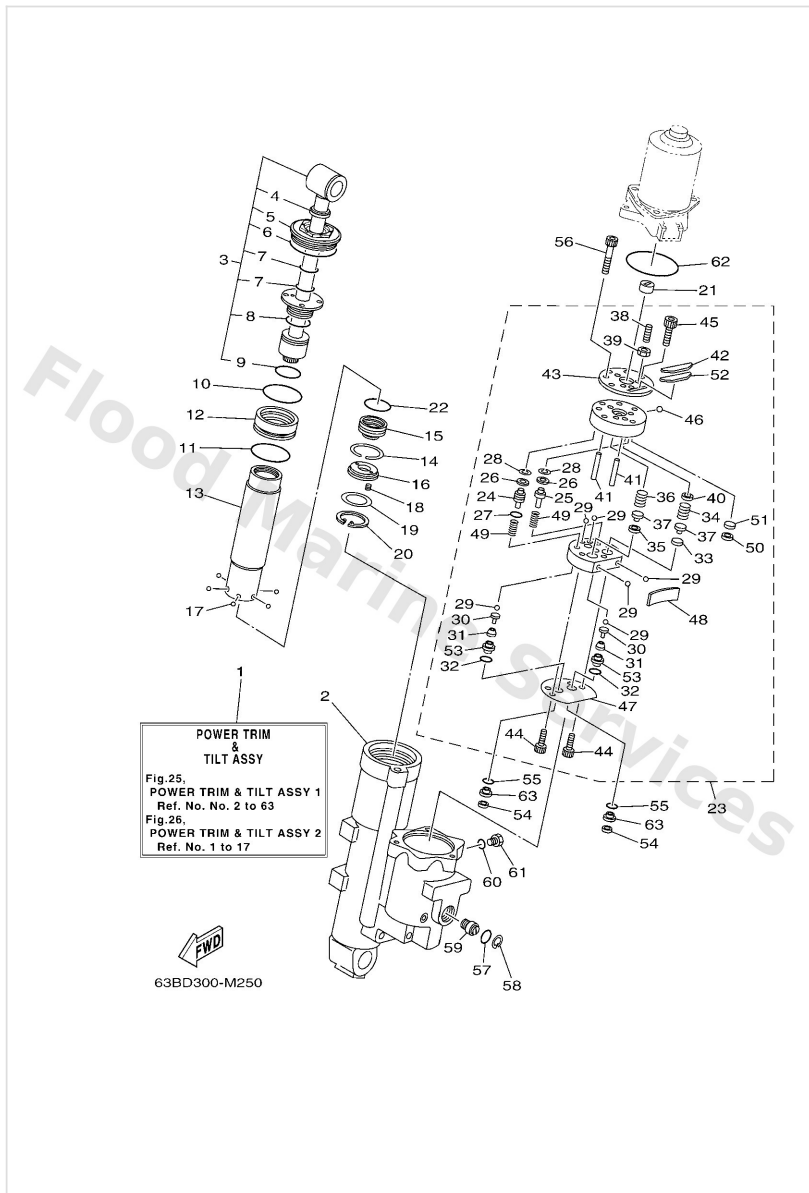
Ref	Part	
1	<a href="#">63D1244051</a> Heat exchanger assembly AP	<a href="#">Buy now</a>
2	<a href="#">6H41246901</a> Joint 1	<a href="#">Buy now</a>
3	<a href="#">6E52431500</a> Pipe 5	<a href="#">Buy now</a>
4	<a href="#">63D1246900</a> Joint 1	<a href="#">Buy now</a>
5	<a href="#">6E51248100</a> Pipe 1	<a href="#">Buy now</a>
6	<a href="#">6H412466A0</a> Exchanger, heat	<a href="#">Buy now</a>
7	<a href="#">6H412466B0</a> Exchanger, heat	<a href="#">Buy now</a>
8	<a href="#">9044511M30</a> Hose (I20)	<a href="#">Buy now</a>
9	<a href="#">9044511M66</a> Hose (I800)	<a href="#">Buy now</a>
10	<a href="#">9046710M04</a> Clip, pipe 1 (6e9)	<a href="#">Buy now</a>
11	<a href="#">9010106128</a> Bolt (658)	<a href="#">Buy now</a>
12	<a href="#">9046711M08</a> Clip(72x)	<a href="#">Buy now</a>

# Power Trim & Tilt Assy 1



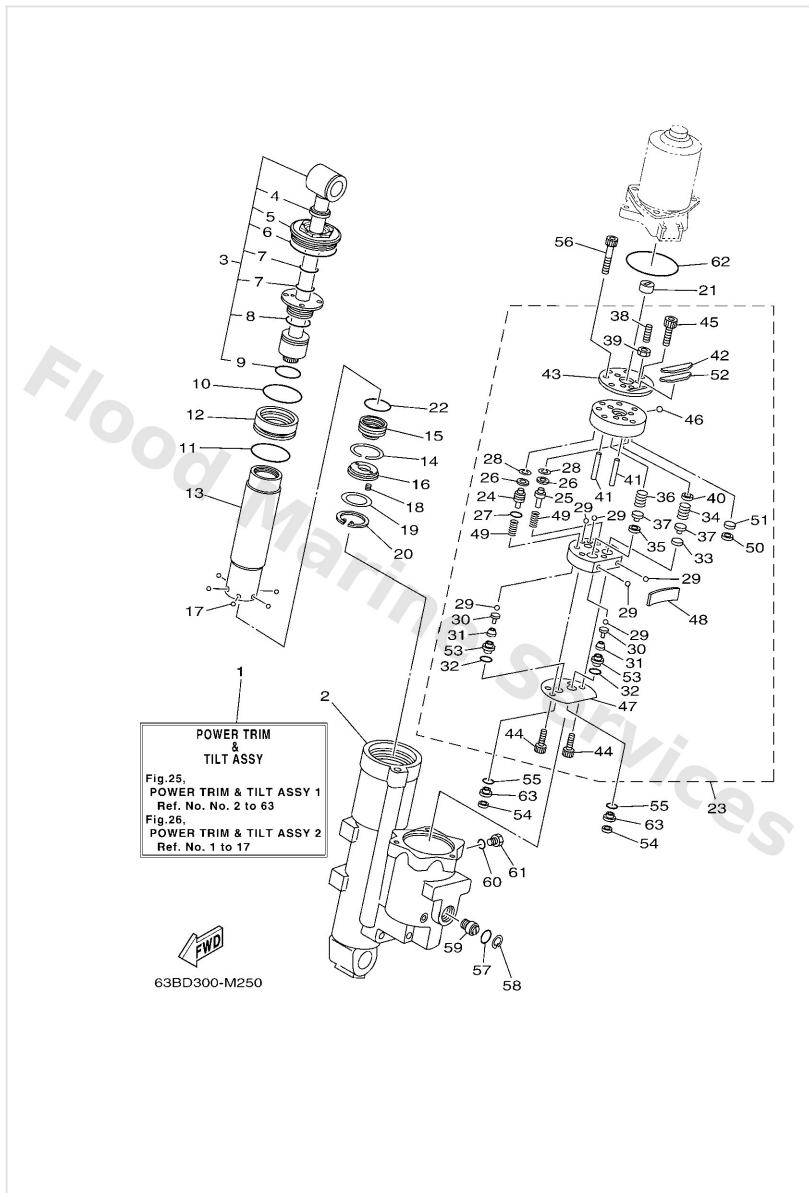
Ref	Part	
1	<a href="#">62Y43800104D</a> Power Trim & Tilt assembly	<a href="#">Buy now</a>
2	<a href="#">62Y4380K02</a> Cylinder, tilt sub assembly	<a href="#">Buy now</a>
3	<a href="#">62X4381003</a> Tilt piston sub assembly	<a href="#">Buy now</a>
4	<a href="#">62Y4382200</a> Seal, trim dust	<a href="#">Buy now</a>
5	<a href="#">62X4382101</a> Screw, Trim Cylinder End	<a href="#">Buy now</a>
6	<a href="#">62X4386100</a> O-ring	<a href="#">Buy now</a>
7	<a href="#">6CJ4386300</a> O-ring	<a href="#">Buy now</a>
8	<a href="#">62X4386200</a> O-ring	<a href="#">Buy now</a>
9	<a href="#">67F4386300</a> O-ring	<a href="#">Buy now</a>
10	<a href="#">9321044383</a> O-ring (705)	<a href="#">Buy now</a>
11	<a href="#">9321048214</a> O-ring	<a href="#">Buy now</a>
12	<a href="#">62X4388A00</a> Piston, trim	<a href="#">Buy now</a>
13	<a href="#">62Y2247100</a> Cylinder, shock absorber	<a href="#">Buy now</a>
14	<a href="#">67F4387500</a> Ring, snap	<a href="#">Buy now</a>
15	<a href="#">69W4381B00</a> Free piston sub assembly	<a href="#">Buy now</a>

# Power Trim & Tilt Assy 1



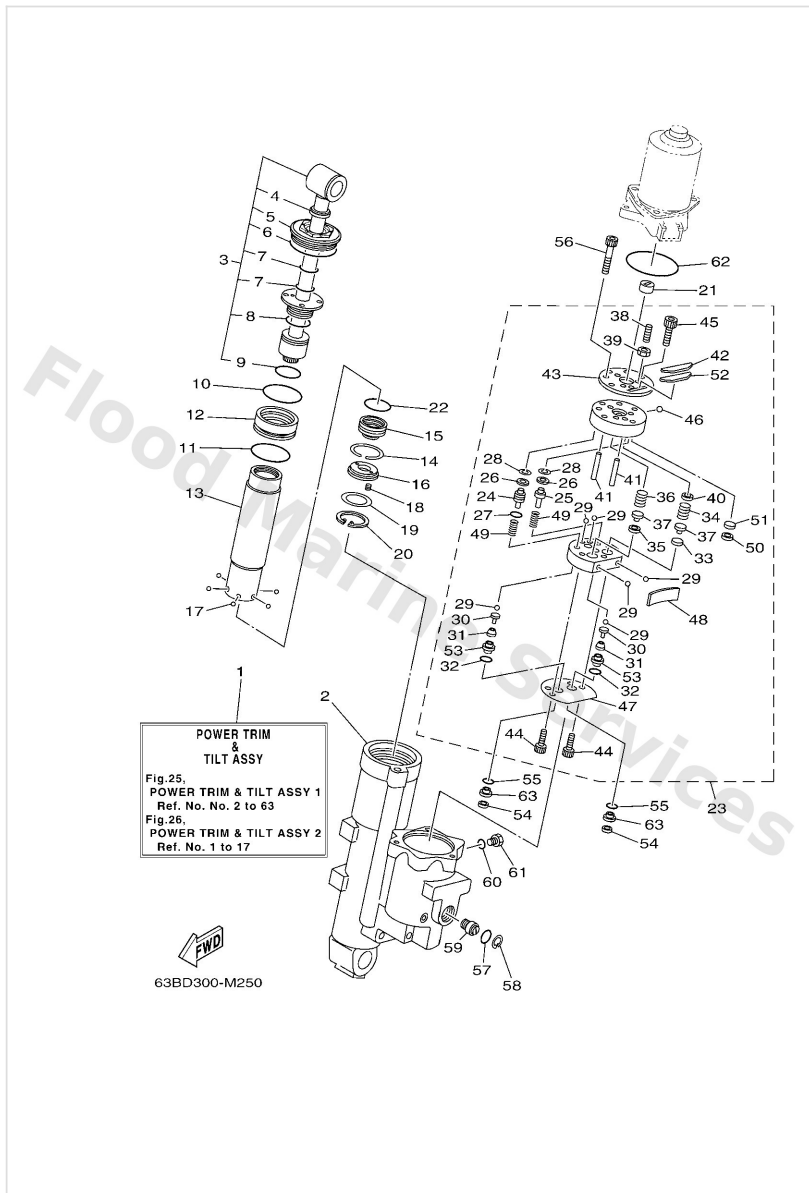
Ref	Part	
16	<a href="#">62X4389900</a> Plate stopper	<a href="#">Buy now</a>
17	<a href="#">9350316003</a> Ball	<a href="#">Buy now</a>
18	<a href="#">62X4384H00</a> Spring	<a href="#">Buy now</a>
19	<a href="#">1UF2243400</a> Plate, valve 1	<a href="#">Buy now</a>
20	<a href="#">62X4387500</a> Ring, snap	<a href="#">Buy now</a>
21	<a href="#">6H14383110</a> Connector, shaft	<a href="#">Buy now</a>
22	<a href="#">9321029375</a> O-ring (j10)	<a href="#">Buy now</a>
23	<a href="#">62Y4383001</a> Gear pump assembly	<a href="#">Buy now</a>
24	<a href="#">6CJ4384100</a> Piston, shuttle	<a href="#">Buy now</a>
25	<a href="#">6CJ4384M00</a> Piston, shuttle 2	<a href="#">Buy now</a>
26	<a href="#">69A4384F00</a> Seal, main valve	<a href="#">Buy now</a>
27	<a href="#">6H14388300</a> O-ring	<a href="#">Buy now</a>
28	<a href="#">9900203600</a> Circlip(6I5)	<a href="#">Buy now</a>
29	<a href="#">9350532038</a> Ball(7fk)	<a href="#">Buy now</a>
30	<a href="#">65W4386A00</a> Pin, absorber valve	<a href="#">Buy now</a>

# Power Trim & Tilt Assy 1



Ref	Part	
31	<a href="#">69J4385300</a> Spring, main valve	<a href="#">Buy now</a>
32	<a href="#">69J4389J00</a> O-ring	<a href="#">Buy now</a>
33	<a href="#">6H14384G11</a> Seal, relief valve	<a href="#">Buy now</a>
34	<a href="#">62Y4385500</a> Spring, up relief	<a href="#">Buy now</a>
35	<a href="#">6H14384F10</a> Seal, main valve	<a href="#">Buy now</a>
36	<a href="#">6H14385610</a> Spring, down relief	<a href="#">Buy now</a>
37	<a href="#">6H14384410</a> Pin, valve support	<a href="#">Buy now</a>
38	<a href="#">92A0803110</a> Screw set	<a href="#">Buy now</a>
39	<a href="#">9530203600</a> Nut(7h6)	<a href="#">Buy now</a>
40	<a href="#">62Y4382A00</a> Adaptor 1	<a href="#">Buy now</a>
41	<a href="#">9360426256</a> Pin, dowel	<a href="#">Buy now</a>
42	<a href="#">6CJ4381600</a> Filter 1	<a href="#">Buy now</a>
43	<a href="#">62Y4382L00</a> Cap, relief valve	<a href="#">Buy now</a>
44	<a href="#">9131805020</a> Bolt, socket	<a href="#">Buy now</a>
45	<a href="#">9131805008</a> Bolt,socket	<a href="#">Buy now</a>

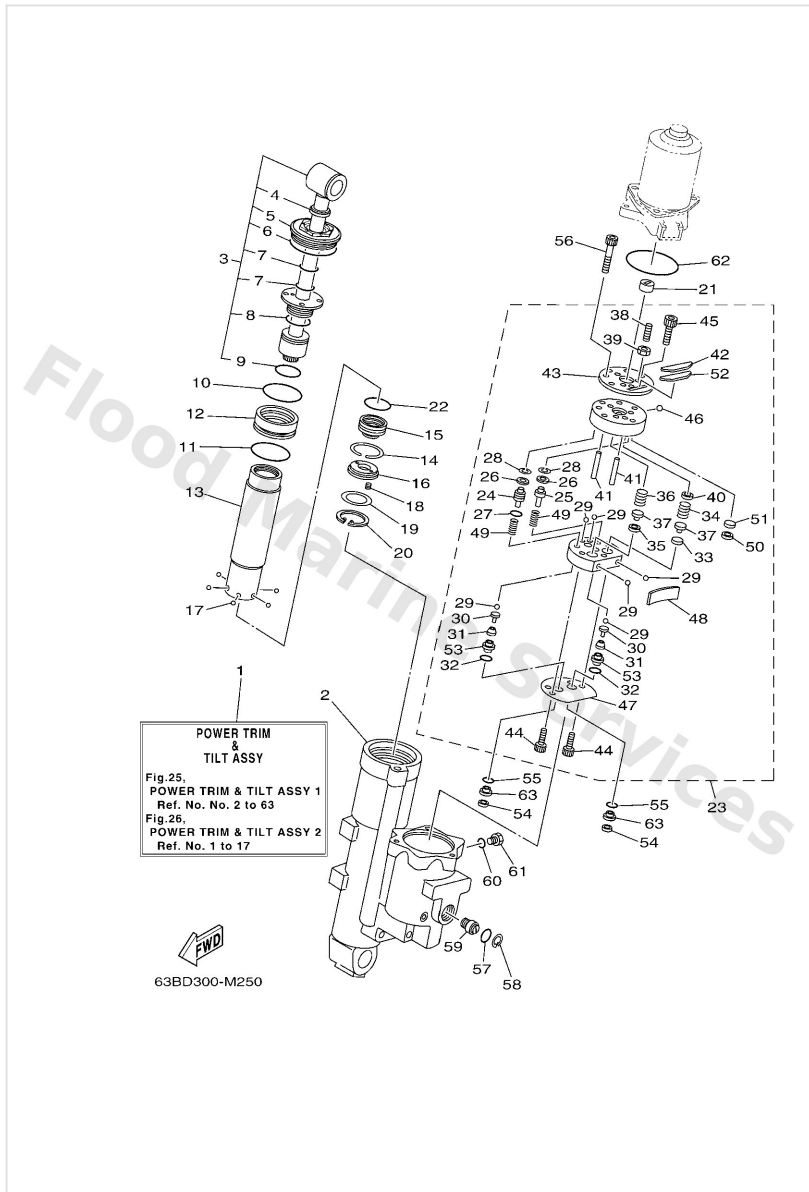
# Power Trim & Tilt Assy 1



Ref	Part	
46	<a href="#">9350108001</a> Ball	<a href="#">Buy now</a>
47	<a href="#">69W4384G00</a> Seal, relief valve	<a href="#">Buy now</a>
48	<a href="#">62Y4385400</a> Spring, manual release	<a href="#">Buy now</a>
49	<a href="#">69J4389400</a> Spring, shuttle return	<a href="#">Buy now</a>
50	<a href="#">62Y4387J00</a> Washer, special 2	<a href="#">Buy now</a>
51	<a href="#">62Y2243400</a> Plate, valve 1	<a href="#">Buy now</a>
52	<a href="#">62Y4387I00</a> Ring, back up	<a href="#">Buy now</a>
53	<a href="#">6CJ4389300</a> Washer	<a href="#">Buy now</a>
54	<a href="#">69J4381C00</a> Filter 3	<a href="#">Buy now</a>
56	<a href="#">9131806040</a> Bolt,socket	<a href="#">Buy now</a>
57	<a href="#">6D84386300</a> O-ring	<a href="#">Buy now</a>
58	<a href="#">6H14387500</a> Ring, snap	<a href="#">Buy now</a>
59	<a href="#">62Y4384500</a> Screw, manual release	<a href="#">Buy now</a>
60	<a href="#">9321009165</a> O-ring	<a href="#">Buy now</a>
61	<a href="#">6H14382900</a> Plug, reservoir	<a href="#">Buy now</a>

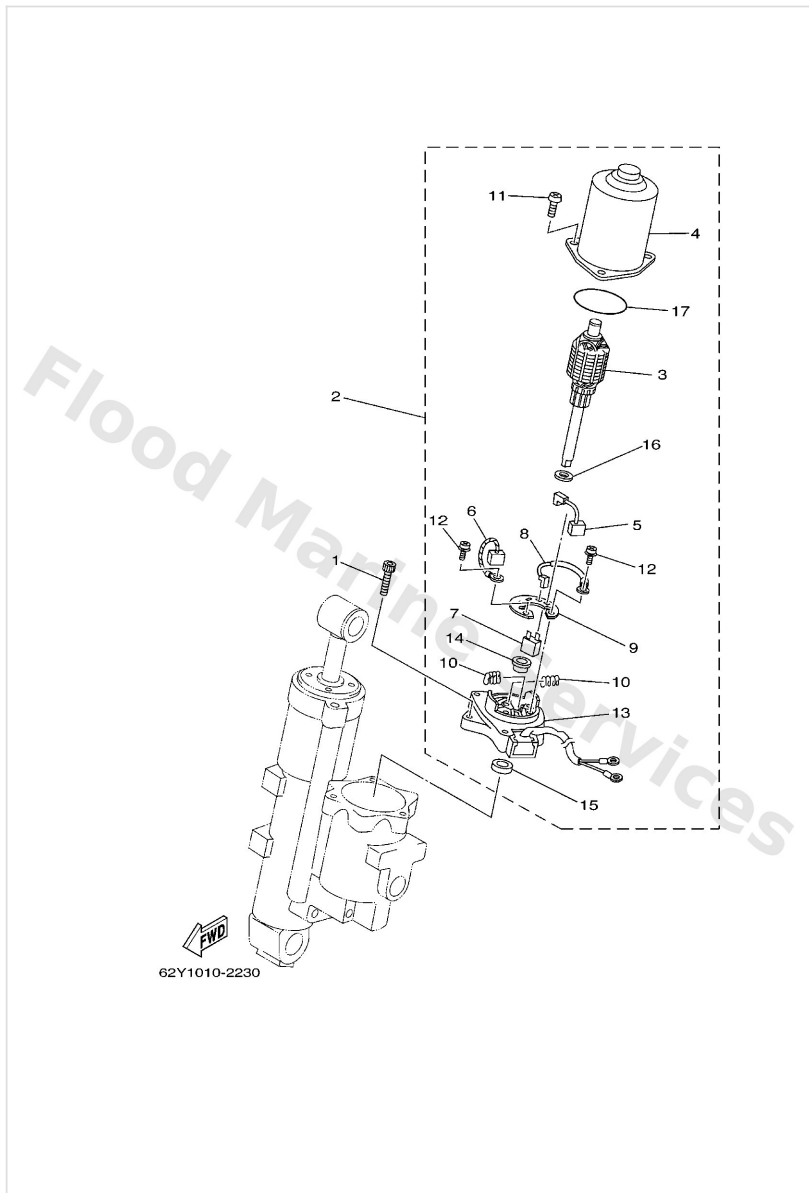


# Power Trim & Tilt Assy 1



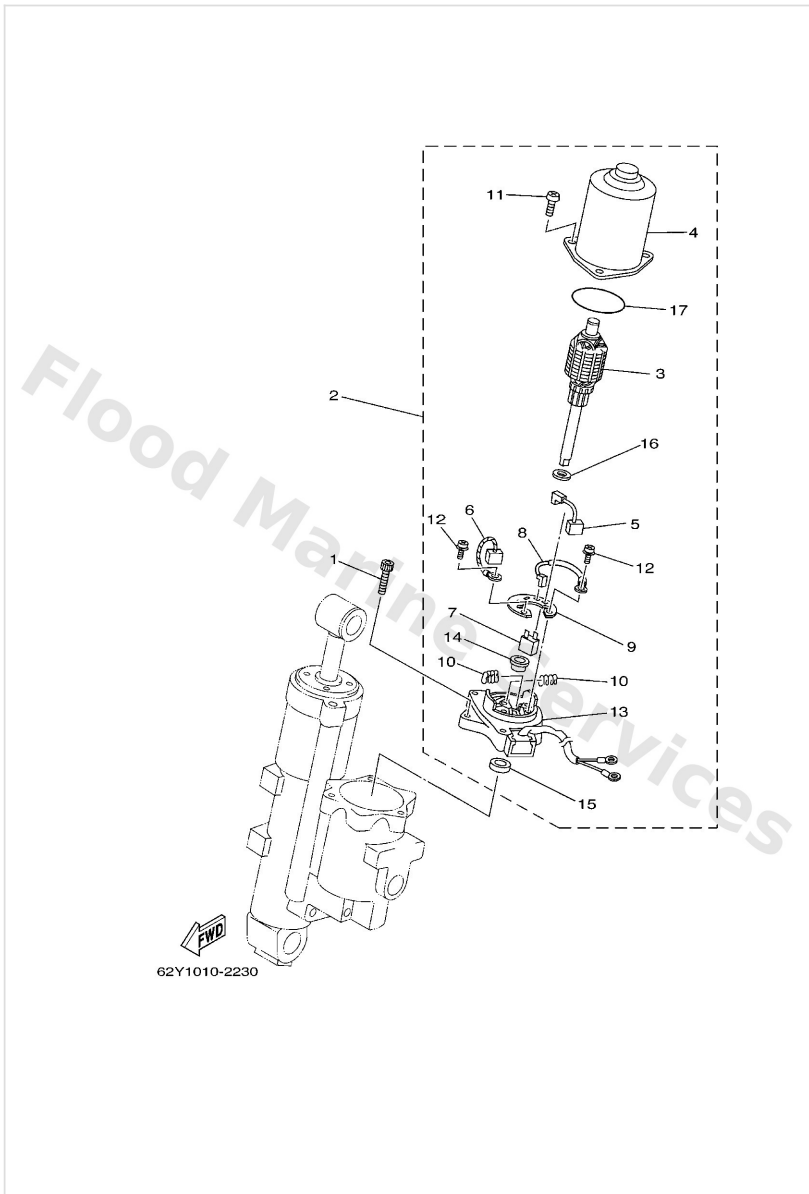
Ref	Part	
62	<a href="#">62X4386500</a> O-ring	<a href="#">Buy now</a>
63	<a href="#">6CJ4389900</a> Plate stopper	<a href="#">Buy now</a>

## Power Trim & Tilt Assy 2



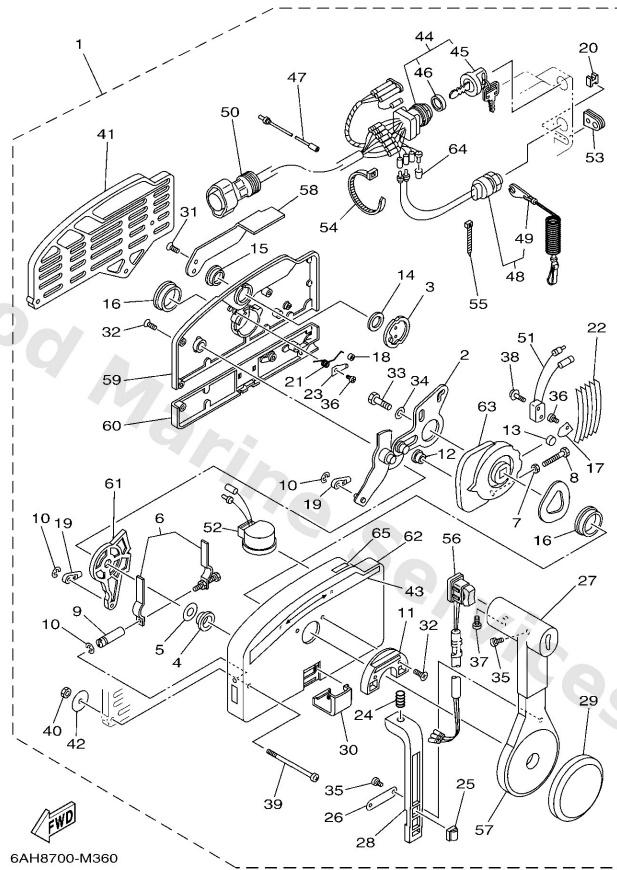
Ref	Part	
1	<a href="#">9138005020</a> Bolt,socket	<a href="#">Buy now</a>
2	<a href="#">62Y4388002</a> Motor assembly	<a href="#">Buy now</a>
3	<a href="#">62Y4380501</a> Armature assembly	<a href="#">Buy now</a>
4	<a href="#">62X4380401</a> Stator assembly	<a href="#">Buy now</a>
5	<a href="#">62Y4389200</a> Brush 2	<a href="#">Buy now</a>
6	<a href="#">62Y4389100</a> Brush 1	<a href="#">Buy now</a>
7	<a href="#">62Y8218101</a> Circuit breaker comp.	<a href="#">Buy now</a>
8	<a href="#">62X4380700</a> Wire sub assembly	<a href="#">Buy now</a>
9	<a href="#">69W4380F00</a> Plate, brush holder	<a href="#">Buy now</a>
10	<a href="#">62X4386K00</a> Spring, brush	<a href="#">Buy now</a>
11	<a href="#">9788005020</a> Screw, pan head (e22)	<a href="#">Buy now</a>
12	<a href="#">9760204216</a> Screw, pan head with washer	<a href="#">Buy now</a>
13	<a href="#">62Y4388100</a> Frame, end	<a href="#">Buy now</a>
14	<a href="#">62X4380H00</a> Metal	<a href="#">Buy now</a>
15	<a href="#">9310208414</a> Oil seal(61a)	<a href="#">Buy now</a>

## Power Trim & Tilt Assy 2



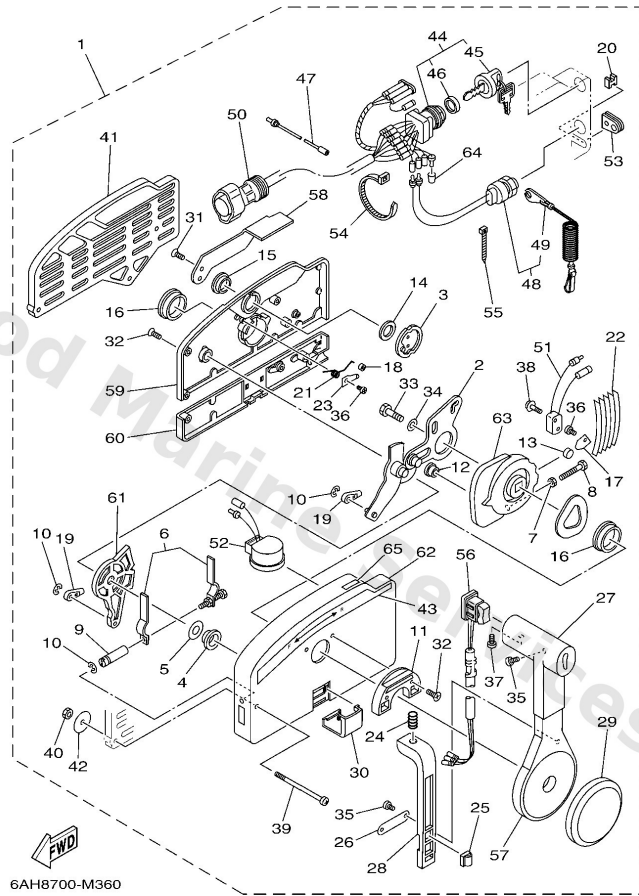
Ref	Part	
16	<a href="#">90201083J8</a> Washer, plate(62x)	<a href="#">Buy now</a>
17	<a href="#">9321052449</a> O-ring(50m)	<a href="#">Buy now</a>

# Remote Control Assy 1



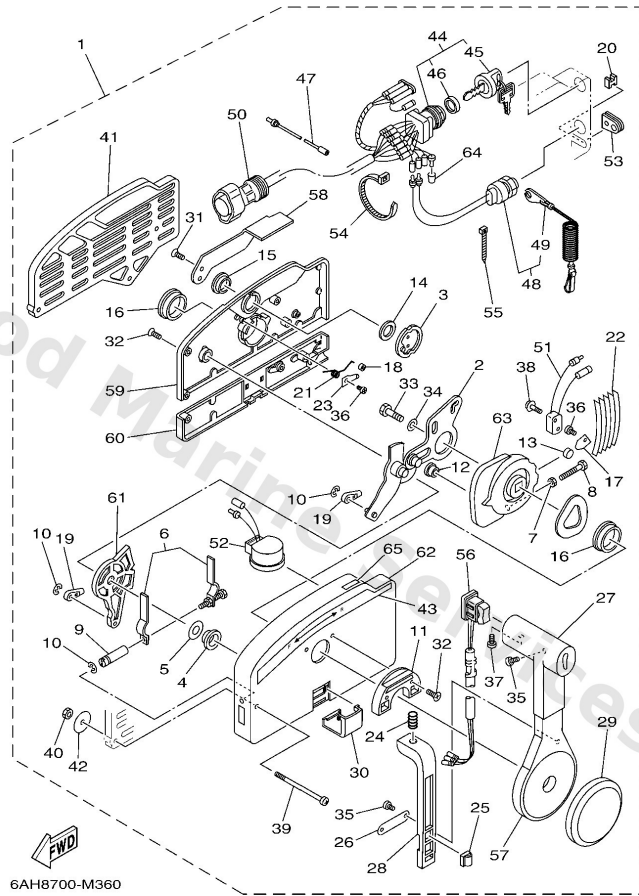
Ref	Part	
1	<a href="#">70348205A7</a> Remote control assembly (10p, ptt) AP WITH PT/T SW.	<a href="#">Buy now</a>
2	<a href="#">7034826101</a> Arm, throttle	<a href="#">Buy now</a>
3	<a href="#">7034815300</a> Shaft, free accel.	<a href="#">Buy now</a>
4	<a href="#">7034823500</a> Bushing	<a href="#">Buy now</a>
5	<a href="#">7034826800</a> Spacer 3	<a href="#">Buy now</a>
6	<a href="#">7034826400</a> Throttle, friction	<a href="#">Buy now</a>
7	<a href="#">9538005600</a> Nut, hexagon (663)	<a href="#">Buy now</a>
8	<a href="#">9738005025</a> Bolt	<a href="#">Buy now</a>
9	<a href="#">7034826500</a> Shaft Friction	<a href="#">Buy now</a>
10	<a href="#">9343006024</a> Circlip (701)	<a href="#">Buy now</a>
11	<a href="#">7034824500</a> Plate, lock	<a href="#">Buy now</a>
12	<a href="#">7034825200</a> Roller, cam	<a href="#">Buy now</a>
13	<a href="#">7014824800</a> Roller, free accel	<a href="#">Buy now</a>
14	<a href="#">7034819800</a> Washer, wave 3	<a href="#">Buy now</a>
15	<a href="#">7034824300</a> Bushing 3	<a href="#">Buy now</a>

# Remote Control Assy 1



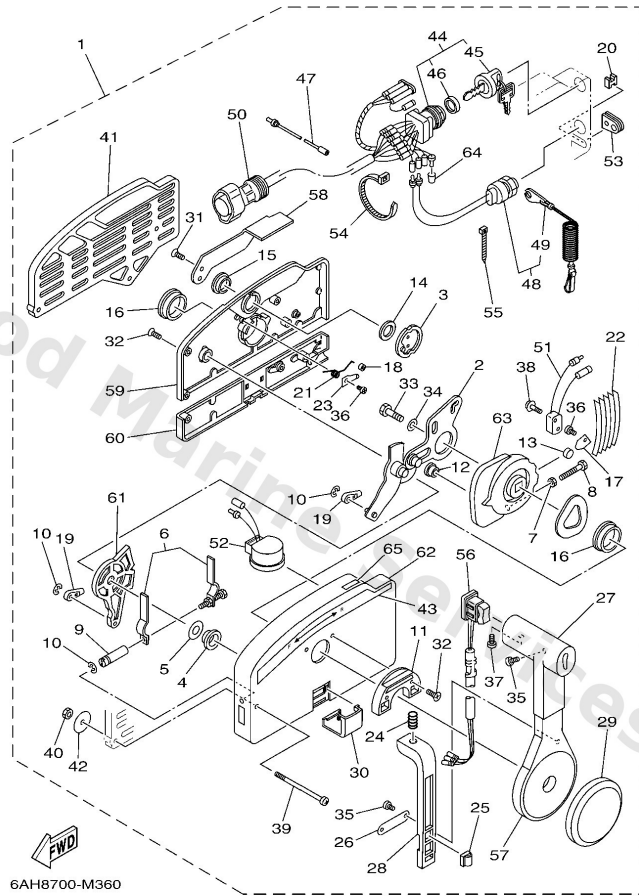
Ref	Part	
16	<a href="#">7034823600</a> Bushing	<a href="#">Buy now</a>
17	<a href="#">7034818900</a> Retainer	<a href="#">Buy now</a>
18	<a href="#">7034823400</a> Roller, detent	<a href="#">Buy now</a>
19	<a href="#">7034834501</a> Cable end, remote control 2	<a href="#">Buy now</a>
20	<a href="#">7034835800</a> Anchor, cable	<a href="#">Buy now</a>
21	<a href="#">7034824400</a> Spring, free accel.	<a href="#">Buy now</a>
22	<a href="#">7034823800</a> Spring, detent	<a href="#">Buy now</a>
23	<a href="#">7034824600</a> Spacer 1	<a href="#">Buy now</a>
24	<a href="#">7034822700</a> Spring, neutral lock	<a href="#">Buy now</a>
25	<a href="#">7038259400</a> Clamp WITH PT/T SW.	<a href="#">Buy now</a>
26	<a href="#">7034822600</a> Plate, stopper	<a href="#">Buy now</a>
27	<a href="#">7034822200</a> Grip, control lever SINGLE	<a href="#">Buy now</a>
28	<a href="#">7034822300</a> Lock, neutral	<a href="#">Buy now</a>
29	<a href="#">7034822500</a> Cover	<a href="#">Buy now</a>
30	<a href="#">7034821900</a> Cover, lead	<a href="#">Buy now</a>

# Remote Control Assy 1



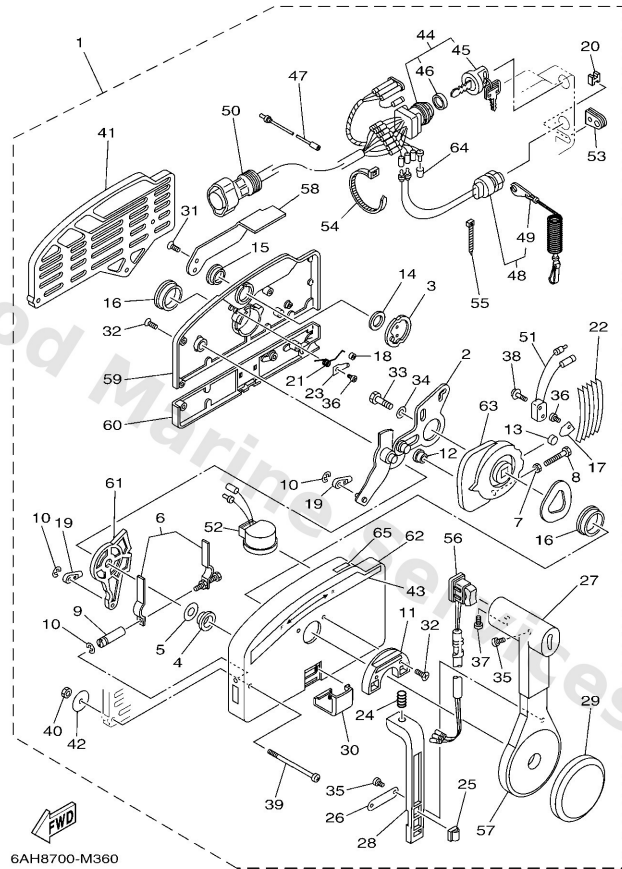
Ref	Part	
31	<a href="#">7034828100</a> Screw, flat head	<a href="#">Buy now</a>
32	<a href="#">7034418900</a> Screw	<a href="#">Buy now</a>
33	<a href="#">9738008030</a> Bolt, hexagon (fj1)	<a href="#">Buy now</a>
34	<a href="#">9299008600</a> Washer, plain (663)	<a href="#">Buy now</a>
35	<a href="#">9858004010</a> Screw, pan head (e56)	<a href="#">Buy now</a>
36	<a href="#">9858004006</a> Screw, pan head (7h3)	<a href="#">Buy now</a>
37	<a href="#">9858005010</a> Screw, pan head(62x)	<a href="#">Buy now</a>
38	<a href="#">7034812900</a> Screw 3	<a href="#">Buy now</a>
39	<a href="#">7034418910</a> Screw	<a href="#">Buy now</a>
40	<a href="#">9538006600</a> Nut(661)	<a href="#">Buy now</a>
41	<a href="#">7034829310</a> Spacer, remote control <b>SINGLE</b>	<a href="#">Buy now</a>
42	<a href="#">7014828700</a> Washer 1	<a href="#">Buy now</a>
43	<a href="#">7034821500</a> Graphic	<a href="#">Buy now</a>
44	<a href="#">7038251013</a> Main switch assembly <b>PRIME START</b>	<a href="#">Buy now</a>
45	<a href="#">6768257701</a> Cap, key	<a href="#">Buy now</a>

# Remote Control Assy 1



Ref	Part	
46	<a href="#">7038253200</a> Cap	<a href="#">Buy now</a>
47	<a href="#">7038253100</a> Wire, lead	<a href="#">Buy now</a>
48	<a href="#">6888257501</a> Engine stop switch assembly	<a href="#">Buy now</a>
49	<a href="#">6828255600</a> Lanyard, stop switch	<a href="#">Buy now</a>
50	<a href="#">6888258A20</a> 10p main harness mec 2m (6ft) (10P)	<a href="#">Buy now</a>
51	<a href="#">7038254000</a> Neutral switch assembly	<a href="#">Buy now</a>
52	<a href="#">70383383B0</a> Buzzer	<a href="#">Buy now</a>
53	<a href="#">7034828400</a> Grommet	<a href="#">Buy now</a>
54	<a href="#">7038259100</a> Band	<a href="#">Buy now</a>
55	<a href="#">7038259200</a> Band	<a href="#">Buy now</a>
56	<a href="#">7038256302</a> Trim & tilt switch assembly WITH PT/T SW.	<a href="#">Buy now</a>
57	<a href="#">7034822100</a> Grip	<a href="#">Buy now</a>
58	<a href="#">7034815200</a> Knob, free accel	<a href="#">Buy now</a>
59	<a href="#">7034821200</a> Rear housing	<a href="#">Buy now</a>
60	<a href="#">7034821300</a> Back, panel	<a href="#">Buy now</a>

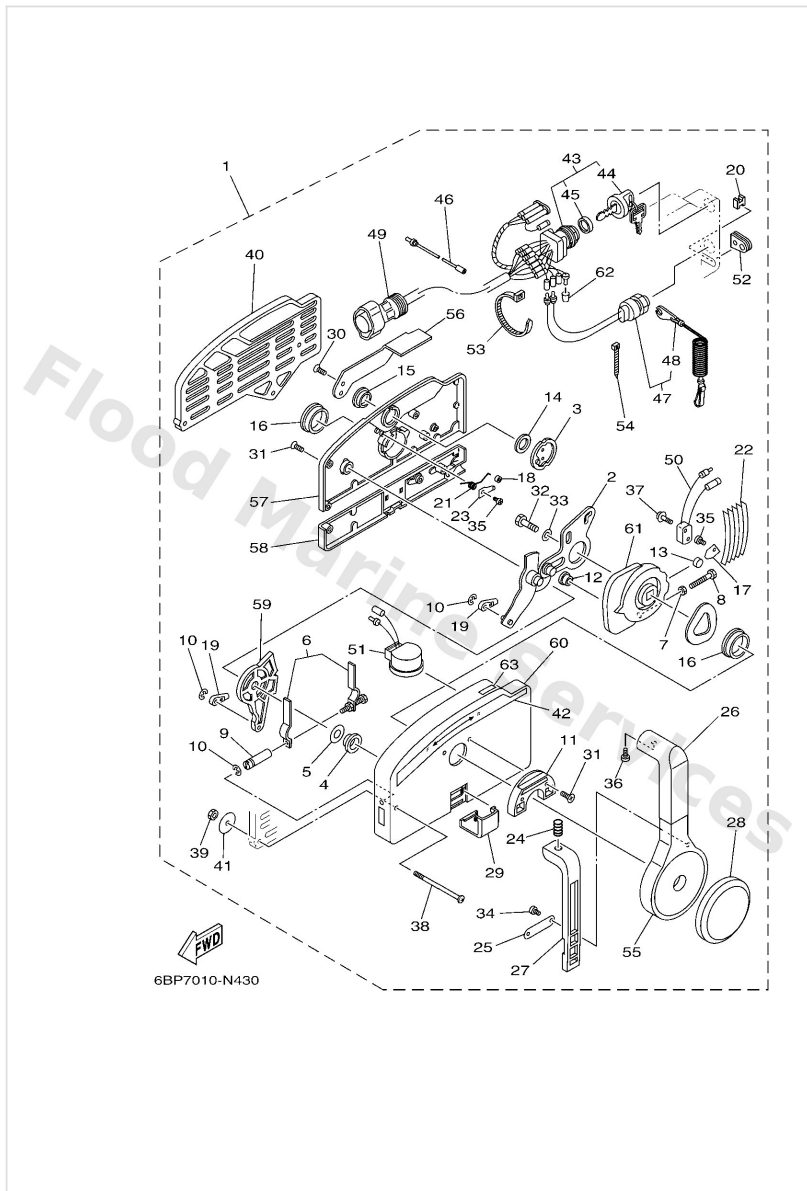
# Remote Control Assy 1



Ref	Part	
61	<a href="#">7034827100</a> Arm, shift	<a href="#">Buy now</a>
62	<a href="#">7034821102</a> Housing,1	<a href="#">Buy now</a>
63	<a href="#">7034823200</a> Drive gear	<a href="#">Buy now</a>
64	<a href="#">7038254200</a> Cap	<a href="#">Buy now</a>
65	<a href="#">7034821800</a> Graphic	<a href="#">Buy now</a>

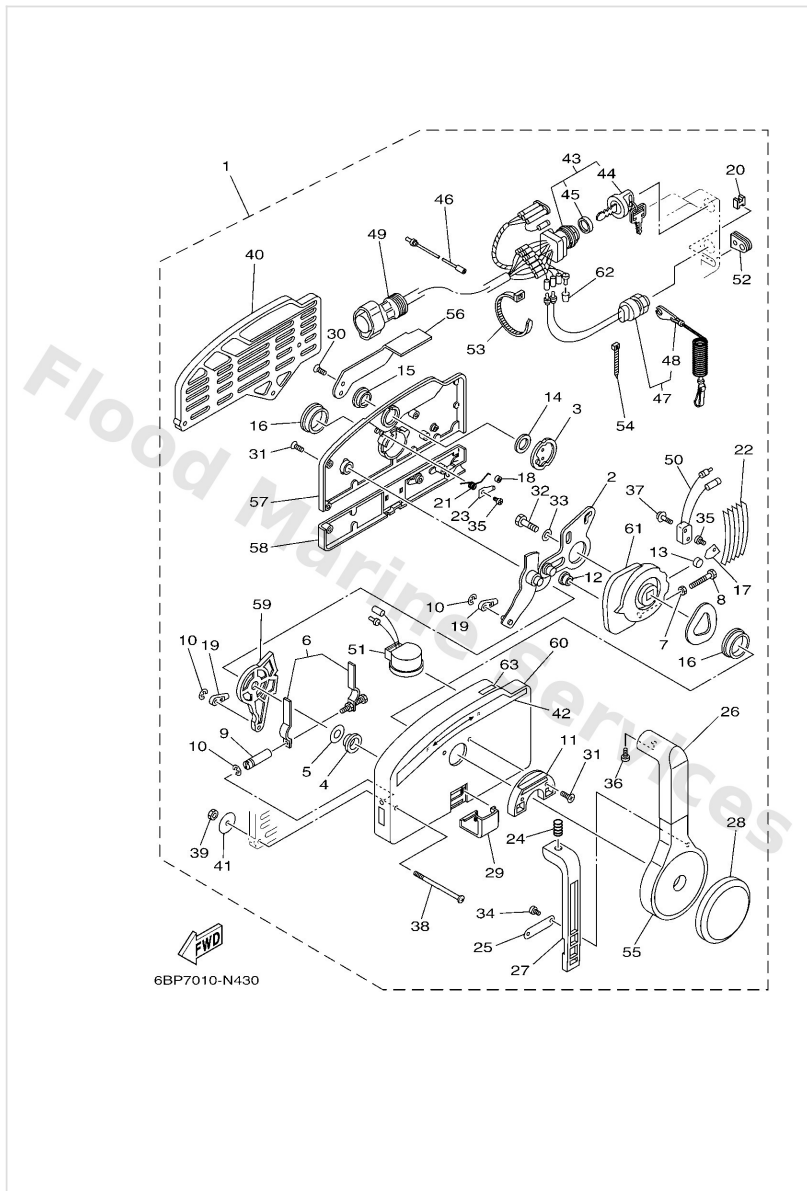


# Remote Control Assy 2



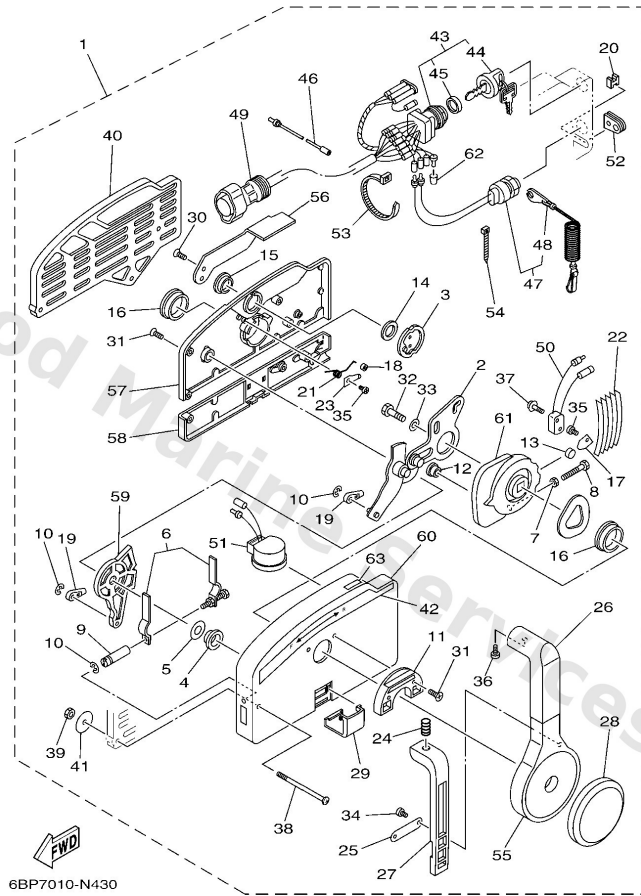
Ref	Part	
1	<a href="#">70348201A6</a> Remote control assembly AP WITHOUT PT/T SW.	<a href="#">Buy now</a>
2	<a href="#">7034826101</a> Arm, throttle	<a href="#">Buy now</a>
3	<a href="#">7034815300</a> Shaft, free accel.	<a href="#">Buy now</a>
4	<a href="#">7034823500</a> Bushing	<a href="#">Buy now</a>
5	<a href="#">7034826800</a> Spacer 3	<a href="#">Buy now</a>
6	<a href="#">7034826400</a> Throttle, friction	<a href="#">Buy now</a>
7	<a href="#">9538005600</a> Nut, hexagon (663)	<a href="#">Buy now</a>
8	<a href="#">9738005025</a> Bolt	<a href="#">Buy now</a>
9	<a href="#">7034826500</a> Shaft Friction	<a href="#">Buy now</a>
10	<a href="#">9343006024</a> Circlip (701)	<a href="#">Buy now</a>
11	<a href="#">7034824500</a> Plate, lock	<a href="#">Buy now</a>
12	<a href="#">7034825200</a> Roller, cam	<a href="#">Buy now</a>
13	<a href="#">7014824800</a> Roller, free accel	<a href="#">Buy now</a>
14	<a href="#">7034819800</a> Washer, wave 3	<a href="#">Buy now</a>
15	<a href="#">7034824300</a> Bushing 3	<a href="#">Buy now</a>

## Remote Control Assy 2



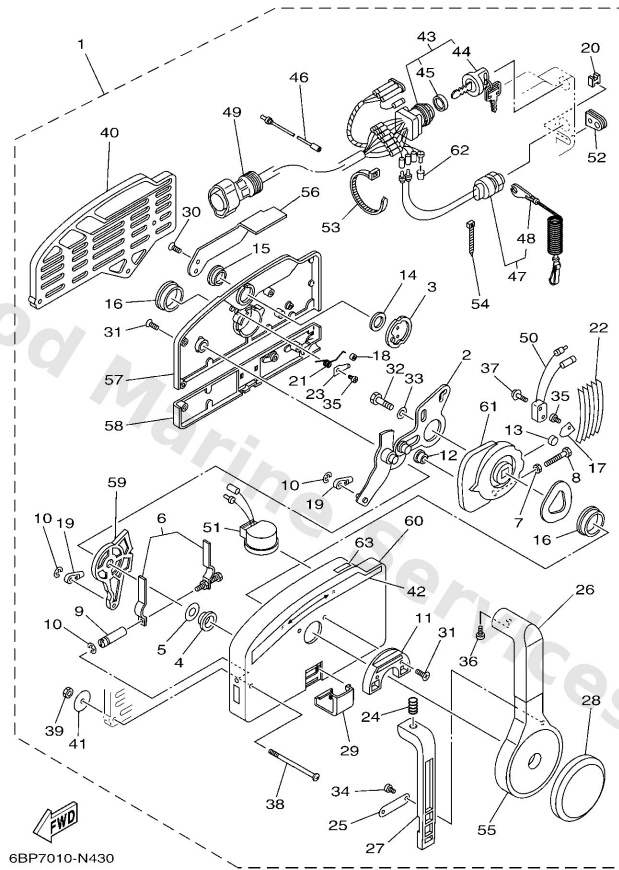
Ref	Part	
16	<a href="#">7034823600</a> Bushing	<a href="#">Buy now</a>
17	<a href="#">7034818900</a> Retainer	<a href="#">Buy now</a>
18	<a href="#">7034823400</a> Roller, detent	<a href="#">Buy now</a>
19	<a href="#">7034834501</a> Cable end, remote control 2	<a href="#">Buy now</a>
20	<a href="#">7034835800</a> Anchor, cable	<a href="#">Buy now</a>
21	<a href="#">7034824400</a> Spring, free accel.	<a href="#">Buy now</a>
22	<a href="#">7034823800</a> Spring, detent	<a href="#">Buy now</a>
23	<a href="#">7034824600</a> Spacer 1	<a href="#">Buy now</a>
24	<a href="#">7034822700</a> Spring, neutral lock	<a href="#">Buy now</a>
25	<a href="#">7034822600</a> Plate, stopper	<a href="#">Buy now</a>
26	<a href="#">7034822210</a> Grip, control lever <b>SINGLE</b>	<a href="#">Buy now</a>
27	<a href="#">7034822300</a> Lock, neutral	<a href="#">Buy now</a>
28	<a href="#">7034822500</a> Cover	<a href="#">Buy now</a>
29	<a href="#">7034821900</a> Cover, lead	<a href="#">Buy now</a>
30	<a href="#">7034828100</a> Screw, flat head	<a href="#">Buy now</a>

# Remote Control Assy 2



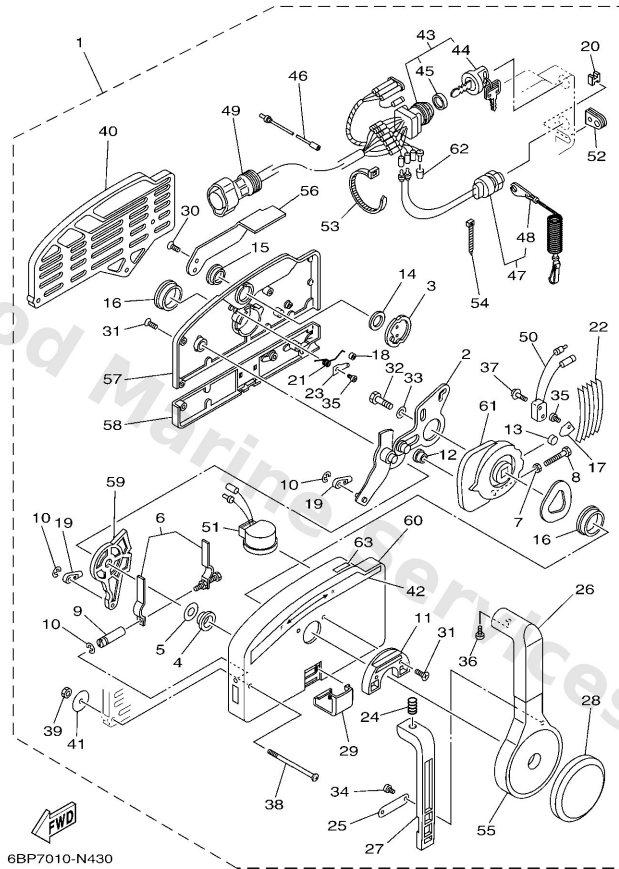
Ref	Part	
31	<a href="#">7034418900</a> Screw	<a href="#">Buy now</a>
32	<a href="#">9738008030</a> Bolt, hexagon (fj1)	<a href="#">Buy now</a>
33	<a href="#">9299008600</a> Washer, plain (663)	<a href="#">Buy now</a>
34	<a href="#">9858004010</a> Screw, pan head (e56)	<a href="#">Buy now</a>
35	<a href="#">9858004006</a> Screw, pan head (7h3)	<a href="#">Buy now</a>
36	<a href="#">9858005010</a> Screw, pan head(62x)	<a href="#">Buy now</a>
37	<a href="#">7034812900</a> Screw 3	<a href="#">Buy now</a>
38	<a href="#">7034418910</a> Screw	<a href="#">Buy now</a>
39	<a href="#">9538006600</a> Nut(661)	<a href="#">Buy now</a>
40	<a href="#">7034829310</a> Spacer, remote control SINGLE	<a href="#">Buy now</a>
41	<a href="#">7014828700</a> Washer 1	<a href="#">Buy now</a>
42	<a href="#">7034821500</a> Graphic	<a href="#">Buy now</a>
43	<a href="#">7038251013</a> Main switch assembly PRIME START	<a href="#">Buy now</a>
44	<a href="#">6768257701</a> Cap, key	<a href="#">Buy now</a>
45	<a href="#">7038253200</a> Cap	<a href="#">Buy now</a>

## Remote Control Assy 2



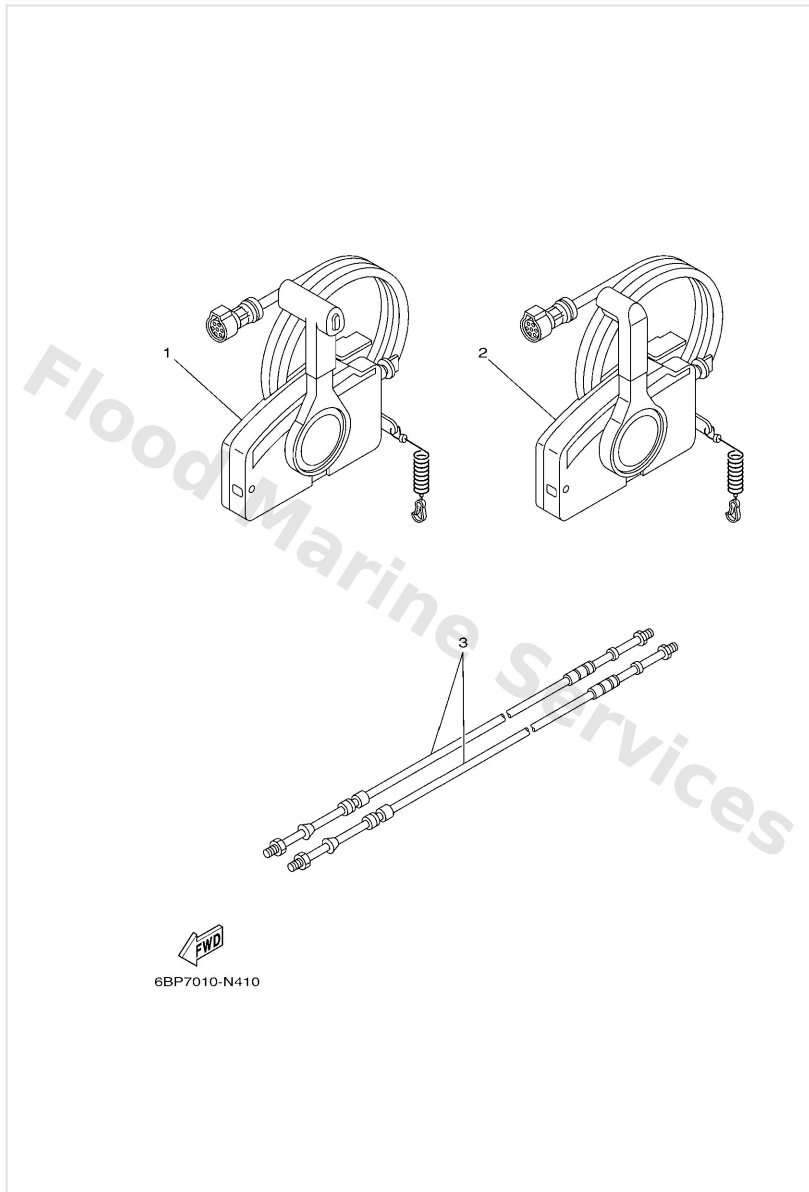
Ref	Part	
46	<a href="#">7038253100</a> Wire, lead	<a href="#">Buy now</a>
47	<a href="#">6888257501</a> Engine stop switch assembly	<a href="#">Buy now</a>
48	<a href="#">6828255600</a> Lanyard, stop switch	<a href="#">Buy now</a>
49	<a href="#">6888258A20</a> 10p main harness mec 2m (6ft) (10P)	<a href="#">Buy now</a>
50	<a href="#">7038254000</a> Neutral switch assembly	<a href="#">Buy now</a>
51	<a href="#">70383383B0</a> Buzzer	<a href="#">Buy now</a>
52	<a href="#">7034828400</a> Grommet	<a href="#">Buy now</a>
53	<a href="#">7038259100</a> Band	<a href="#">Buy now</a>
54	<a href="#">7038259200</a> Band	<a href="#">Buy now</a>
55	<a href="#">7034822100</a> Grip	<a href="#">Buy now</a>
56	<a href="#">7034815200</a> Knob, free accel	<a href="#">Buy now</a>
57	<a href="#">7034821200</a> Rear housing	<a href="#">Buy now</a>
58	<a href="#">7034821300</a> Back, panel	<a href="#">Buy now</a>
59	<a href="#">7034827100</a> Arm, shift	<a href="#">Buy now</a>
60	<a href="#">7034821102</a> Housing,1	<a href="#">Buy now</a>

# Remote Control Assy 2



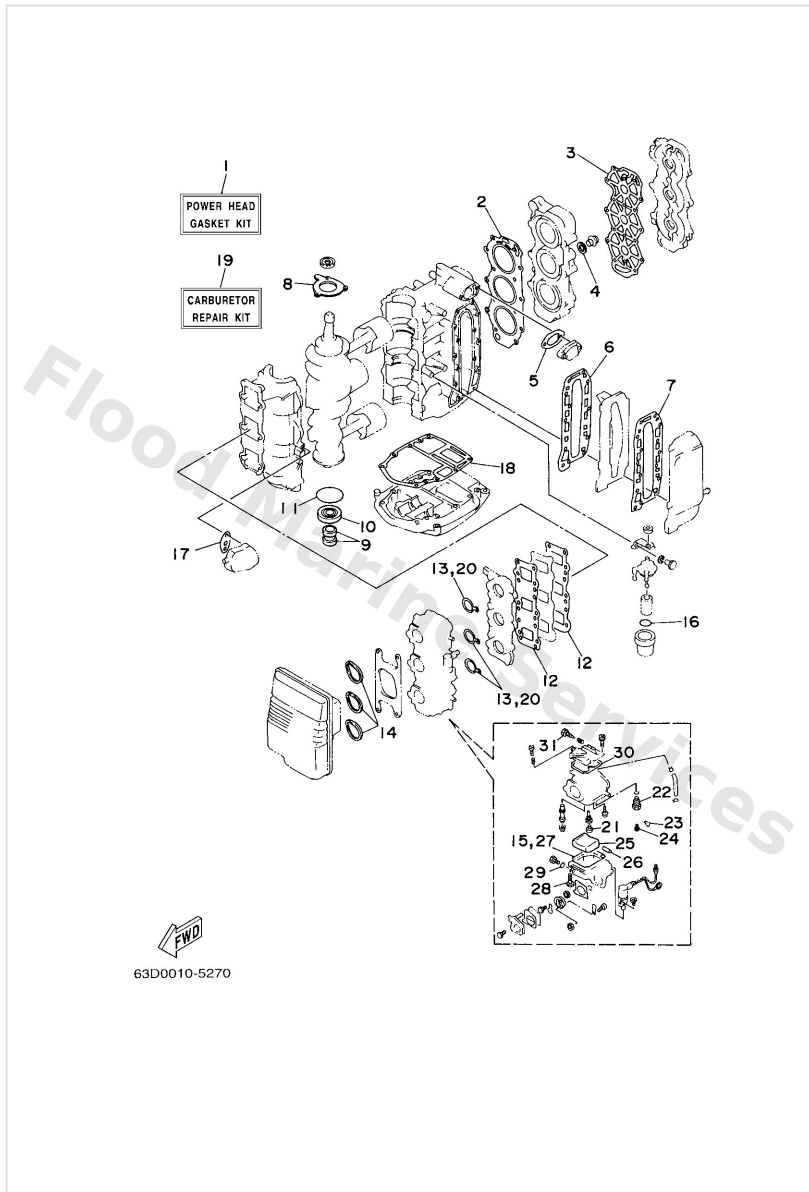
Ref	Part	
61	<a href="#">7034823200</a> Drive gear	<a href="#">Buy now</a>
62	<a href="#">7038254200</a> Cap	<a href="#">Buy now</a>
63	<a href="#">7034821800</a> Graphic	<a href="#">Buy now</a>

# Remote Control Box



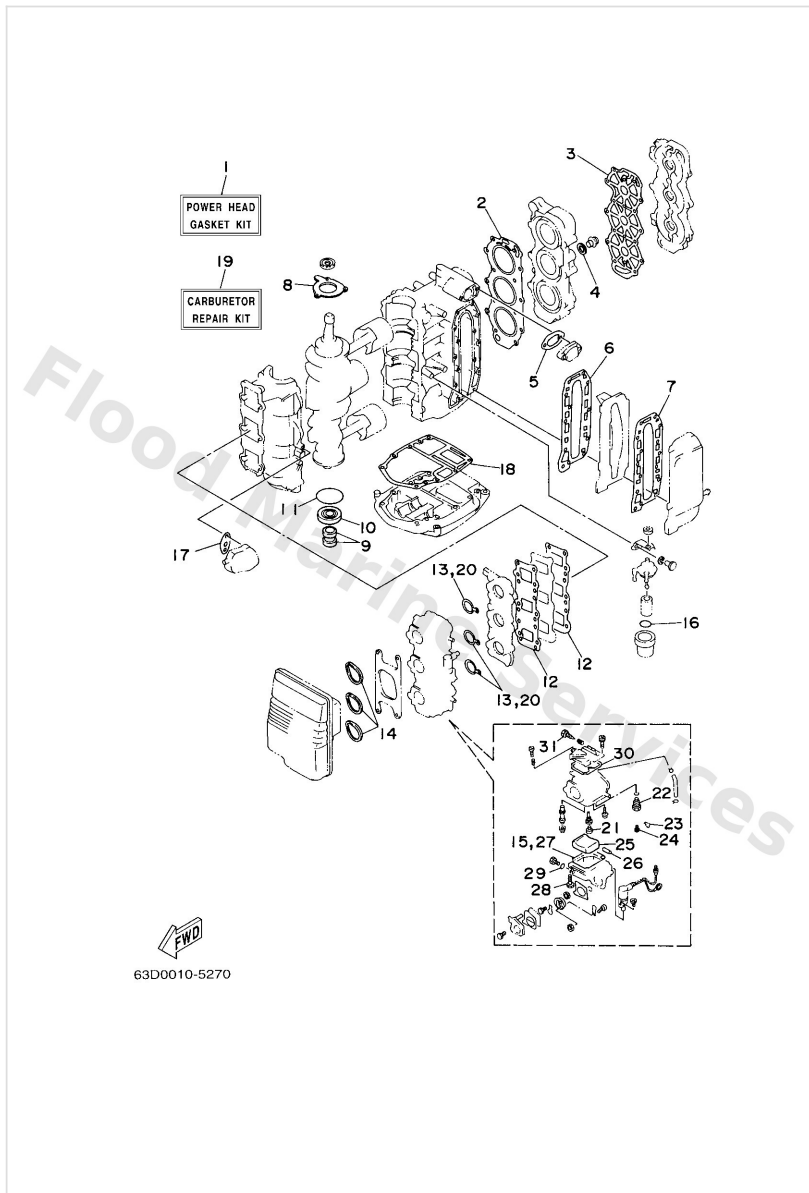
Ref	Part	
1	<a href="#">70348205A7</a> Remote control assembly (10p, ptt) AP WITH PT/T SW.	<a href="#">Buy now</a>
2	<a href="#">70348201A6</a> Remote control assembly AP WITHOUT PT/T SW.	<a href="#">Buy now</a>
3	<a href="#">7014832000</a> Cable, Remote Control L=12F UR	<a href="#">Buy now</a>
3	<a href="#">7014832020</a> Cable, Remote Control L=13F UR	<a href="#">Buy now</a>
3	<a href="#">7014832030</a> Cable, Remote Control L=14F UR	<a href="#">Buy now</a>
3	<a href="#">7014832050</a> Cable, Remote Control L=15F UR	<a href="#">Buy now</a>
3	<a href="#">7014832060</a> Cable, Remote Control L=16F UR	<a href="#">Buy now</a>
3	<a href="#">7014832080</a> Cable, Remote Control L=17F UR	<a href="#">Buy now</a>

# Repair Kit 1



Ref	Part	
1	<a href="#">63DW000100</a> Power head gasket kit	<a href="#">Buy now</a>
2	<a href="#">63D11181A2</a> Gasket, cylinder head 1	<a href="#">Buy now</a>
3	<a href="#">63D11193A0</a> Gasket, head cover 1	<a href="#">Buy now</a>
4	<a href="#">9043014115</a> Gasket (663)	<a href="#">Buy now</a>
5	<a href="#">6J812414A0</a> Gasket, cover	<a href="#">Buy now</a>
6	<a href="#">6H441112A0</a> Gasket, exhaust inner cover	<a href="#">Buy now</a>
7	<a href="#">6H441114A0</a> Gasket, exhaust outer cover	<a href="#">Buy now</a>
8	<a href="#">6H415369A1</a> Gasket, oil seal housing	<a href="#">Buy now</a>
9	<a href="#">9310416M01</a> Oil seal(6a8)	<a href="#">Buy now</a>
10	<a href="#">9310225M28</a> Oil seal(6h4)	<a href="#">Buy now</a>
11	<a href="#">9321058M21</a> O-ring (683)	<a href="#">Buy now</a>
12	<a href="#">6H413621A1</a> Gasket, valve seat	<a href="#">Buy now</a>
13	<a href="#">6H41419801</a> Gasket	<a href="#">Buy now</a>
14	<a href="#">6H31445701</a> Seal	<a href="#">Buy now</a>
15	<a href="#">6H41498400</a> Gasket, float chamber	<a href="#">Buy now</a>

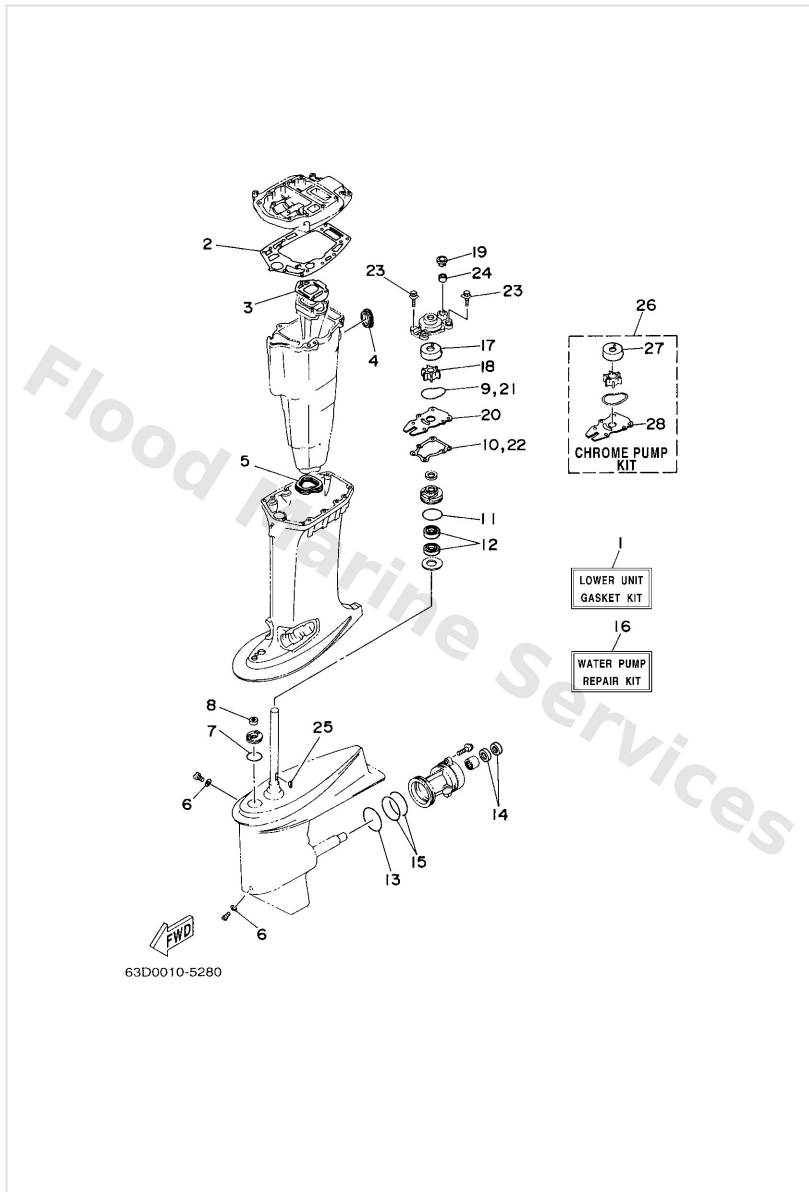
# Repair Kit 1



Ref	Part	
16	<a href="#">9321032738</a> O-ring(1wg)	<a href="#">Buy now</a>
17	<a href="#">65024431A0</a> Gasket,fuel pump	<a href="#">Buy now</a>
18	<a href="#">6H445113A0</a> Gasket, upper casing	<a href="#">Buy now</a>
19	<a href="#">6H4W009303</a> Carburetor repair kit	<a href="#">Buy now</a>
21	<a href="#">6761496600</a> Rubber cap	<a href="#">Buy now</a>
22	<a href="#">6H41459001</a> Needle valve assembly	<a href="#">Buy now</a>
23	<a href="#">6631415900</a> Clip	<a href="#">Buy now</a>
24	<a href="#">6761418600</a> Pin, valve	<a href="#">Buy now</a>
25	<a href="#">6H41498501</a> Float	<a href="#">Buy now</a>
26	<a href="#">6H41454800</a> Pin, float arm	<a href="#">Buy now</a>
28	<a href="#">9798004114</a> Screw, pan head(ga5)	<a href="#">Buy now</a>
29	<a href="#">9321004230</a> O-ring (371)	<a href="#">Buy now</a>
30	<a href="#">6H41414700</a> O-ring	<a href="#">Buy now</a>
31	<a href="#">6921492300</a> Screw, adjusting	<a href="#">Buy now</a>

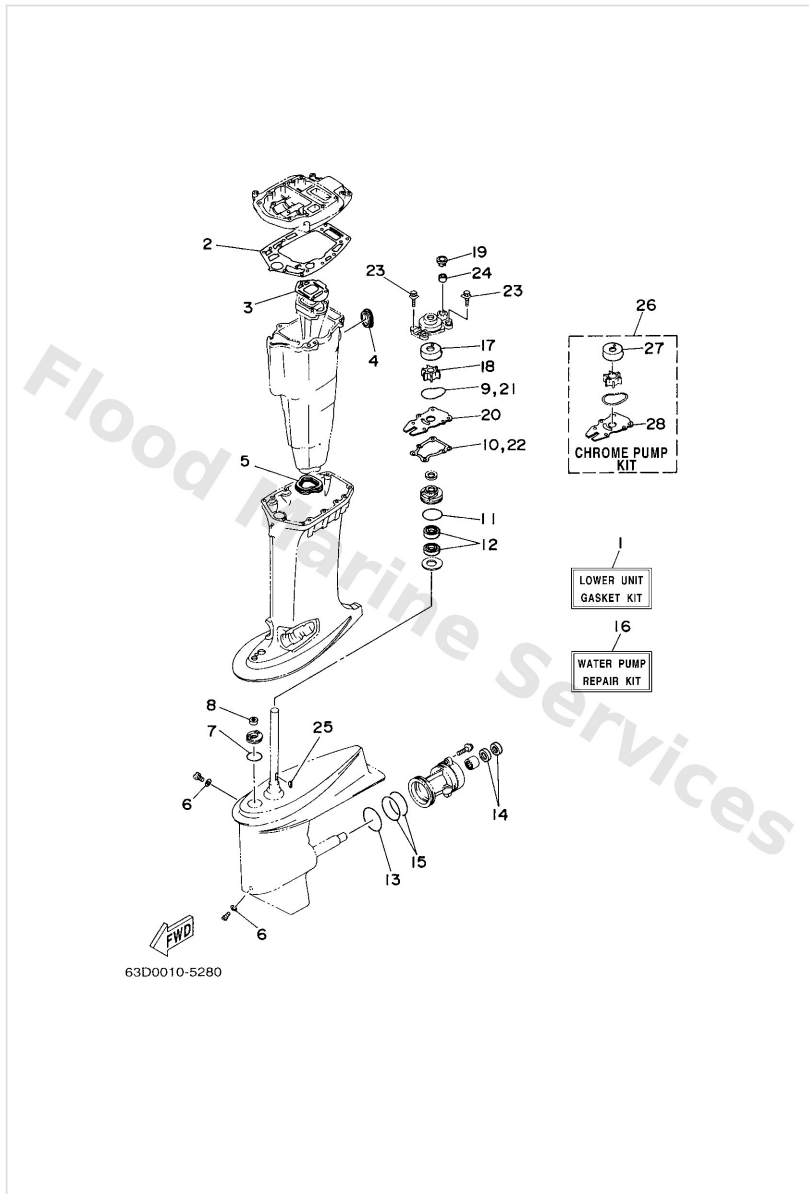


# Repair Kit 2



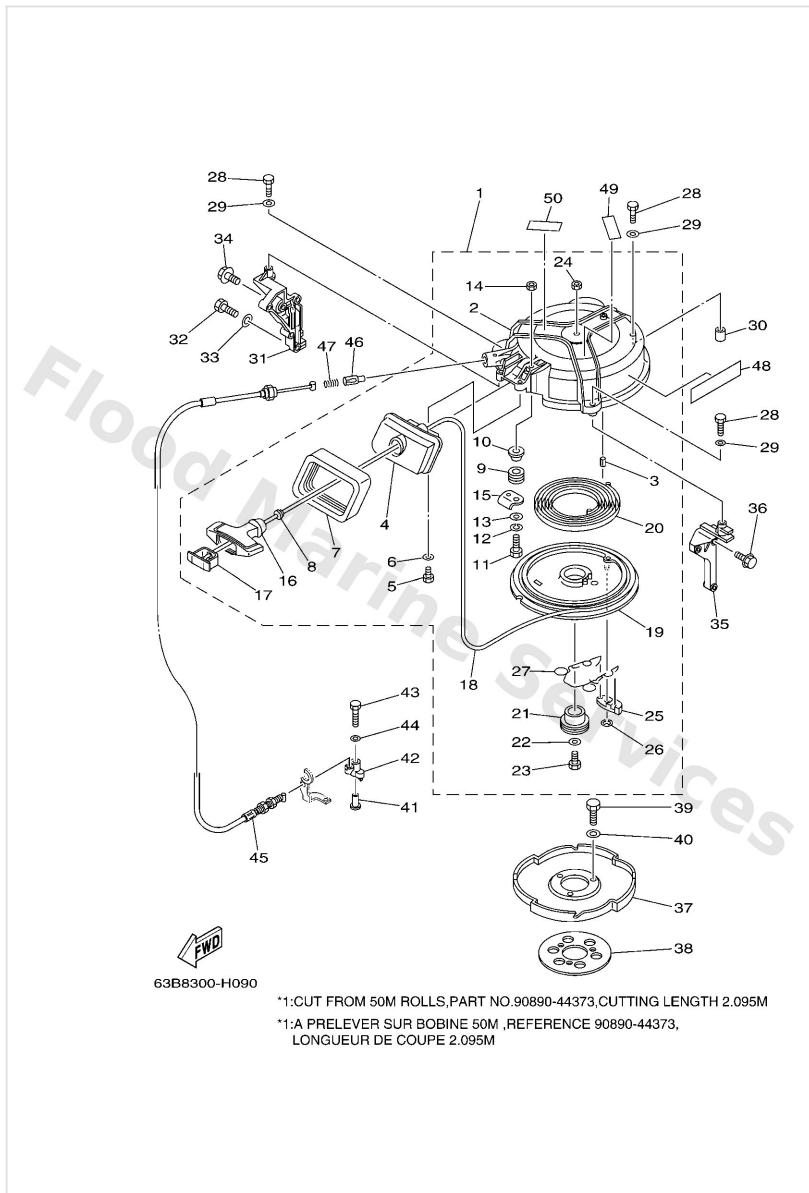
Ref	Part	
1	<a href="#">63DW000121</a> Lower unit gasket kit	<a href="#">Buy now</a>
2	<a href="#">63D45114A0</a> Gasket, upper casing	<a href="#">Buy now</a>
3	<a href="#">6H441134A0</a> Gasket, exhaust manifold	<a href="#">Buy now</a>
4	<a href="#">6H34512700</a> Seal 1	<a href="#">Buy now</a>
5	<a href="#">63D4512300</a> Gasket, muffler	<a href="#">Buy now</a>
6	<a href="#">9043008020</a> Gasket	<a href="#">Buy now</a>
7	<a href="#">9321033MG4</a> O-ring	<a href="#">Buy now</a>
8	<a href="#">9310609014</a> Oil seal	<a href="#">Buy now</a>
9	<a href="#">9321059MG7</a> O-ring	<a href="#">Buy now</a>
10	<a href="#">63D4431600</a> Gasket, water pump	<a href="#">Buy now</a>
11	<a href="#">9321048001</a> O-ring	<a href="#">Buy now</a>
12	<a href="#">9310125M57</a> Oil seal	<a href="#">Buy now</a>
13	<a href="#">9321069MG6</a> O-ring	<a href="#">Buy now</a>
14	<a href="#">9310122M00</a> Oil seal (22x36x6-663)	<a href="#">Buy now</a>
15	<a href="#">9321074MG5</a> O-ring (xea)	<a href="#">Buy now</a>

# Repair Kit 2



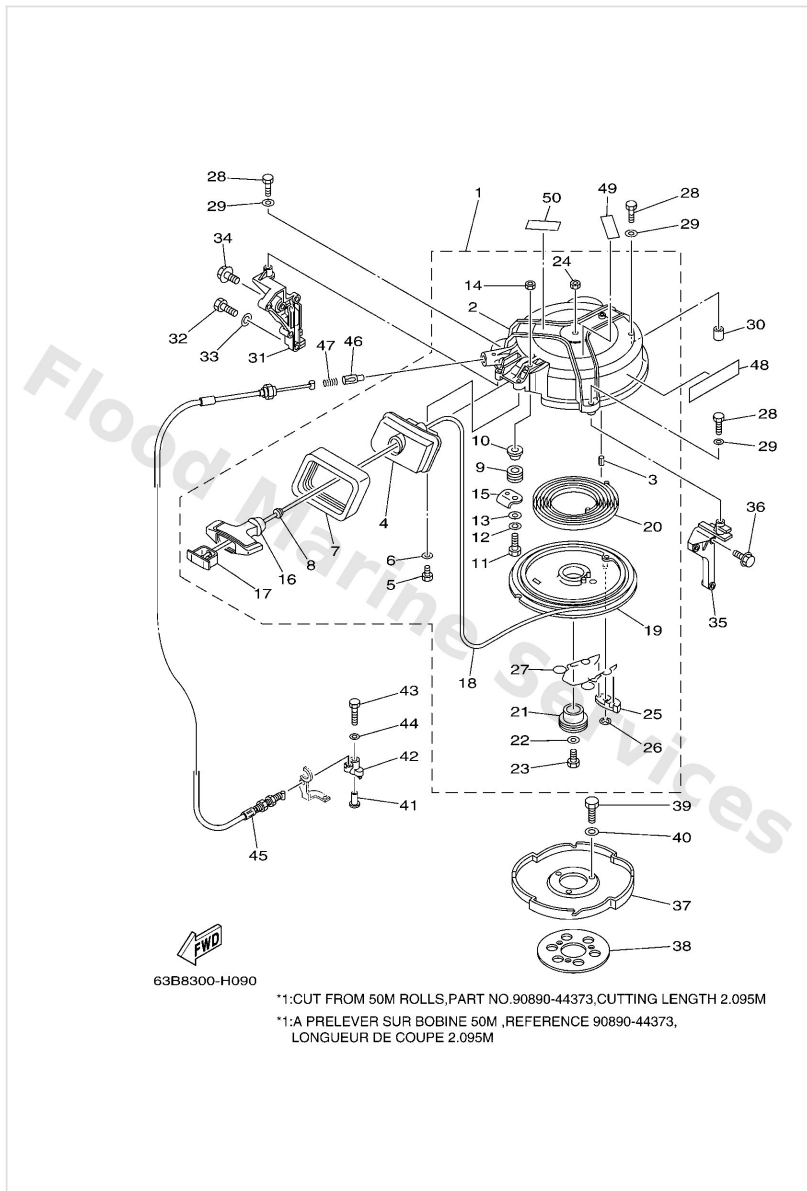
Ref	Part	
16	<a href="#">63DW007801</a> Water pump repair kit	<a href="#">Buy now</a>
17	<a href="#">63D4432200</a> Insert, cartridge	<a href="#">Buy now</a>
18	<a href="#">6H34435200</a> Impellar	<a href="#">Buy now</a>
19	<a href="#">63D4431200</a> Cover, water pump housing	<a href="#">Buy now</a>
20	<a href="#">63D4432300</a> Outer plate, cartridge	<a href="#">Buy now</a>
23	<a href="#">9011908M15</a> Bolt, with washer(62w)	<a href="#">Buy now</a>
24	<a href="#">6634436600</a> Damper, water seal 2	<a href="#">Buy now</a>
25	<a href="#">9028003024</a> Key, woodruff(662)	<a href="#">Buy now</a>
26	<a href="#">63DW00780A</a> Chrome pump kit	<a href="#">Buy now</a>
27	<a href="#">63D4432240</a> Insert, cartridge	<a href="#">Buy now</a>
28	<a href="#">63D4432340</a> Outer plate, cartridge	<a href="#">Buy now</a>

# Starter



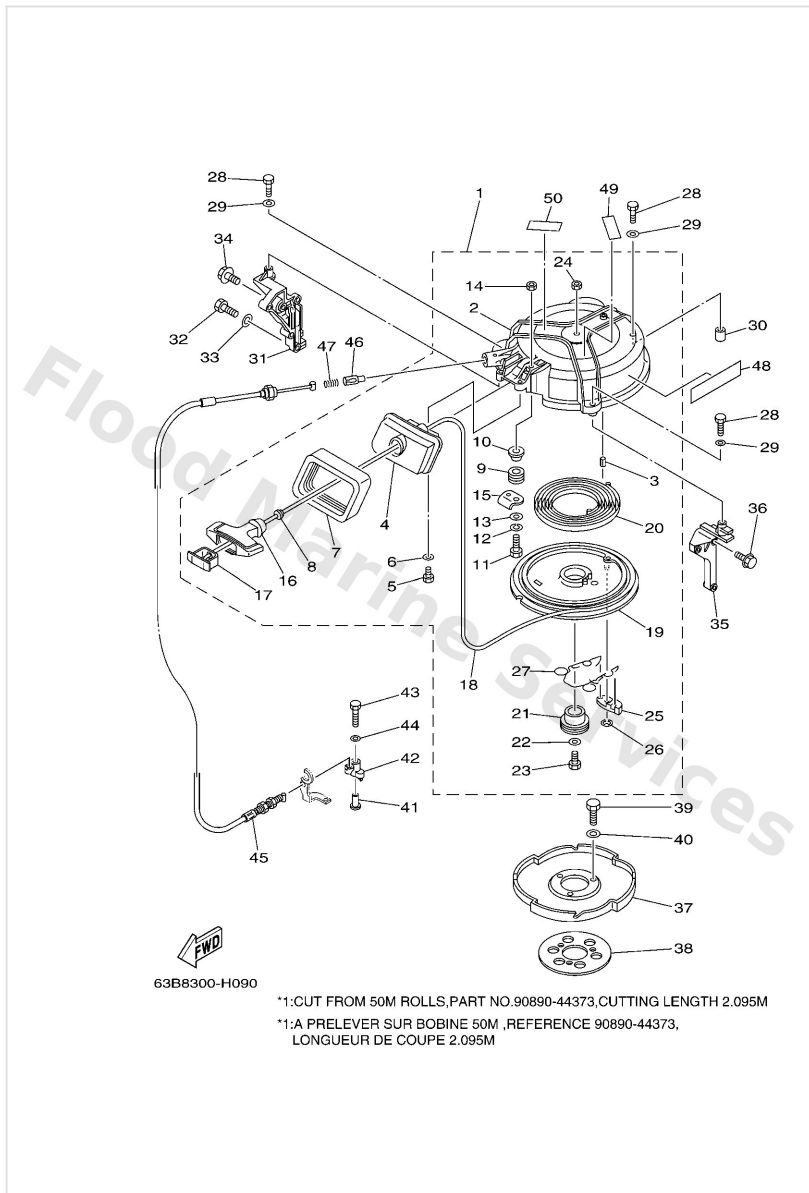
Ref	Part	
1	<a href="#">63BY130E00</a> Starter assembly	<a href="#">Buy now</a>
2	<a href="#">6H41571102</a> Case, starter	<a href="#">Buy now</a>
3	<a href="#">9169040018</a> Pin spring(664)	<a href="#">Buy now</a>
4	<a href="#">6H415758014D</a> Guide rope	<a href="#">Buy now</a>
5	<a href="#">9709506016</a> Bolt, hexagon deep recess	<a href="#">Buy now</a>
6	<a href="#">9299506600</a> Washer, plain (646)	<a href="#">Buy now</a>
7	<a href="#">6H41576200</a> Seal, rubber 2	<a href="#">Buy now</a>
8	<a href="#">6A01578900</a> Damper	<a href="#">Buy now</a>
9	<a href="#">6F51575200</a> Roller, wire	<a href="#">Buy now</a>
10	<a href="#">9038706M69</a> Collar (688)	<a href="#">Buy now</a>
11	<a href="#">9701306030</a> Bolt	<a href="#">Buy now</a>
12	<a href="#">9290306100</a> Washer(6a1)	<a href="#">Buy now</a>
13	<a href="#">9290306600</a> Washer, plain (646)	<a href="#">Buy now</a>
14	<a href="#">9538006600</a> Nut(661)	<a href="#">Buy now</a>
15	<a href="#">6H41578701</a> Stay	<a href="#">Buy now</a>

# Starter



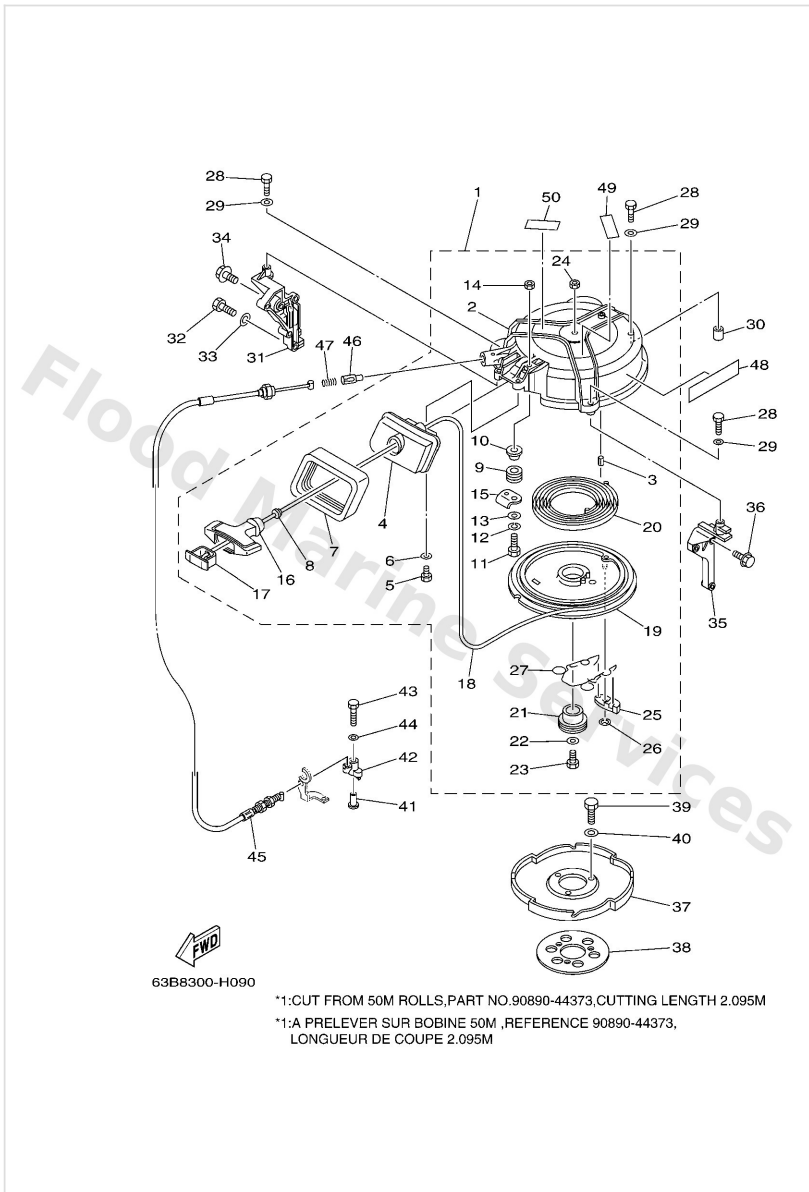
Ref	Part	
16	<a href="#">6891575501</a> Handle, starter	<a href="#">Buy now</a>
17	<a href="#">6F51577902</a> Cover	<a href="#">Buy now</a>
18	* item_description *1	<a href="#">Buy now</a>
19	<a href="#">6H41571400</a> Drum, sheave	<a href="#">Buy now</a>
20	<a href="#">9051008002</a> Spring spiral 656157130000	<a href="#">Buy now</a>
21	<a href="#">6H41571701</a> Shaft, starter	<a href="#">Buy now</a>
22	<a href="#">9020106060</a> Washer, plate	<a href="#">Buy now</a>
23	<a href="#">9709506020</a> Bolt(7u8)	<a href="#">Buy now</a>
25	<a href="#">6761574103</a> Pawl, drive	<a href="#">Buy now</a>
26	<a href="#">9343006M02</a> Circlip (689)	<a href="#">Buy now</a>
27	<a href="#">6H41570500</a> Spring drive pawl assembly	<a href="#">Buy now</a>
28	<a href="#">9709506035</a> Bolt(j52)	<a href="#">Buy now</a>
30	<a href="#">9953010014</a> Pin, dowel	<a href="#">Buy now</a>
31	<a href="#">63D15771001S</a> Stay 1	<a href="#">Buy now</a>
32	<a href="#">9701308025</a> Bolt (682)	<a href="#">Buy now</a>

# Starter



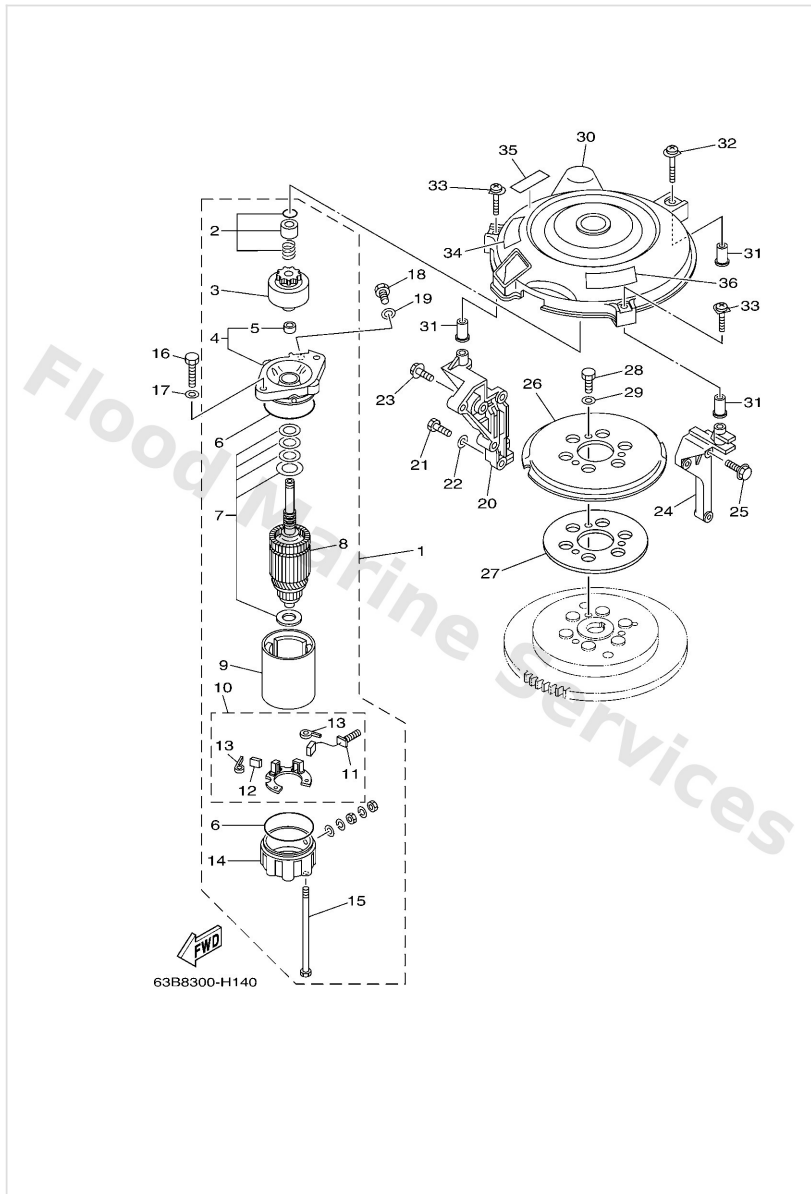
Ref	Part	
33	<a href="#">9290308600</a> Washer, plain (663)	<a href="#">Buy now</a>
34	<a href="#">9011906MA2</a> Bolt, with washer	<a href="#">Buy now</a>
35	<a href="#">6H41577202</a> Stay 2	<a href="#">Buy now</a>
36	<a href="#">9011906MA3</a> Bolt, with washer	<a href="#">Buy now</a>
37	<a href="#">6H4157230194</a> Pulley, starter	<a href="#">Buy now</a>
38	<a href="#">6J881365A0</a> Gasket, hole cover	<a href="#">Buy now</a>
39	<a href="#">9701308020</a> Bolt(6td)	<a href="#">Buy now</a>
41	<a href="#">9038706M66</a> Collar (6h4)	<a href="#">Buy now</a>
42	<a href="#">63D1574600</a> Arm	<a href="#">Buy now</a>
43	<a href="#">9709506040</a> Bolt (682)	<a href="#">Buy now</a>
45	<a href="#">63D1577000</a> Cable comp., starter stop	<a href="#">Buy now</a>
46	<a href="#">6561574800</a> Plunger, starter stop	<a href="#">Buy now</a>
47	<a href="#">9050110227</a> Spring, comprrhension(656)	<a href="#">Buy now</a>
48	<a href="#">63D13437N0</a> Mark, caution	<a href="#">Buy now</a>
49	<a href="#">6AH8199540</a> Label, warning	<a href="#">Buy now</a>

# Starter



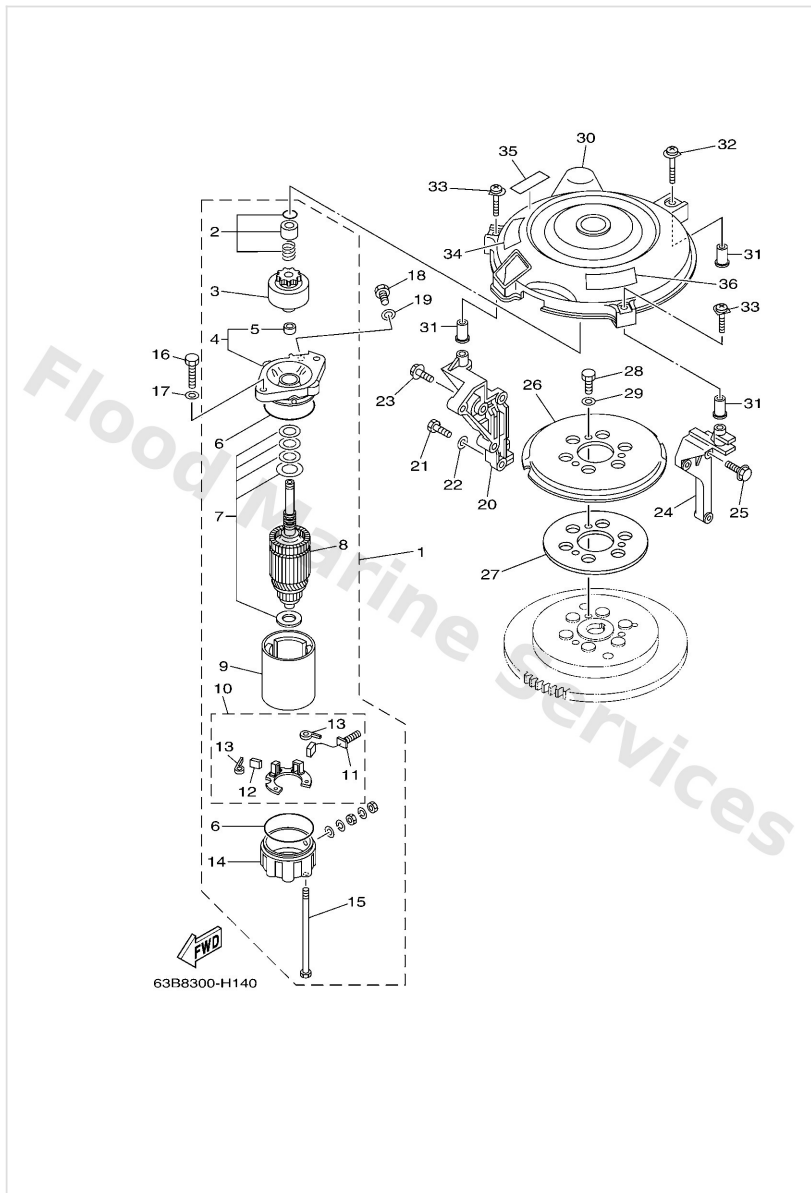
Ref	Part	
50	<a href="#">6AH8199550</a> Label, warning	<a href="#">Buy now</a>

# Starting Motor



Ref	Part	
1	<a href="#">6F58180011</a> Starting motor assembly	<a href="#">Buy now</a>
2	<a href="#">6898185711</a> Pinion stopper set	<a href="#">Buy now</a>
3	<a href="#">6898180712</a> Pinion assembly	<a href="#">Buy now</a>
4	<a href="#">6F58183011</a> Front cover assembly	<a href="#">Buy now</a>
5	<a href="#">6898183100</a> Metal, front	<a href="#">Buy now</a>
6	<a href="#">6898184711</a> O-ring	<a href="#">Buy now</a>
7	<a href="#">6898180911</a> Washer kit	<a href="#">Buy now</a>
8	<a href="#">6898185012</a> Armature assembly	<a href="#">Buy now</a>
9	<a href="#">6898181011</a> Stator ass'y	<a href="#">Buy now</a>
10	<a href="#">6898184011</a> Brush holder assembly	<a href="#">Buy now</a>
11	<a href="#">6898181111</a> Brush 1	<a href="#">Buy now</a>
12	<a href="#">6898181211</a> Brush 2	<a href="#">Buy now</a>
13	<a href="#">6898181310</a> Spring, brush	<a href="#">Buy now</a>
14	<a href="#">6898182011</a> Rear cover ass'y	<a href="#">Buy now</a>
15	<a href="#">6898182610</a> Bolt	<a href="#">Buy now</a>

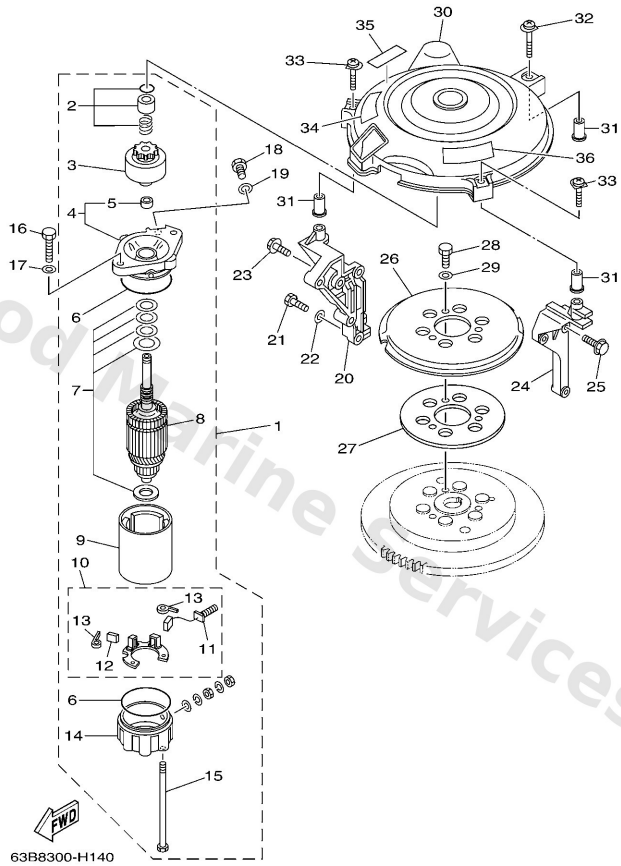
# Starting Motor



Ref	Part	
16	<a href="#">9701308030</a> Bolt	<a href="#">Buy now</a>
17	<a href="#">9290308600</a> Washer, plain (663)	<a href="#">Buy now</a>
18	<a href="#">9701308016</a> Bolt, hexagon	<a href="#">Buy now</a>
20	<a href="#">63D15771001S</a> Stay 1	<a href="#">Buy now</a>
21	<a href="#">9701308025</a> Bolt (682)	<a href="#">Buy now</a>
23	<a href="#">9011906MA2</a> Bolt, with washer	<a href="#">Buy now</a>
24	<a href="#">6H41577202</a> Stay 2	<a href="#">Buy now</a>
25	<a href="#">9011906MA3</a> Bolt, with washer	<a href="#">Buy now</a>
26	<a href="#">6J815723E1</a> Pulley, starter	<a href="#">Buy now</a>
27	<a href="#">6J881365A0</a> Gasket, hole cover	<a href="#">Buy now</a>
28	<a href="#">9701308014</a> Bolt(692)	<a href="#">Buy now</a>
30	<a href="#">6H48133701</a> Cover, flywheel	<a href="#">Buy now</a>
31	<a href="#">9038706M65</a> Collar (6h4)	<a href="#">Buy now</a>
32	<a href="#">9015906M21</a> Screw, with washer(61c)	<a href="#">Buy now</a>
33	<a href="#">9015906M22</a> Screw, with washer(61c)	<a href="#">Buy now</a>

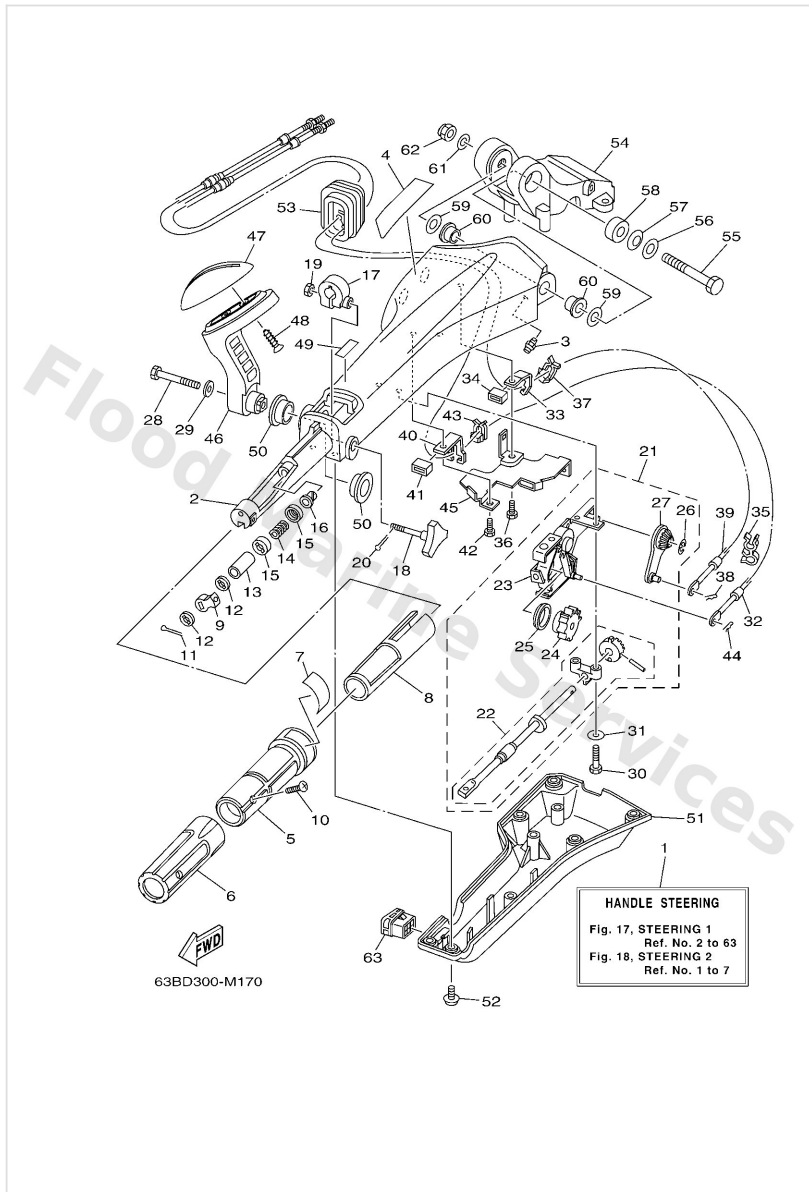


# Starting Motor



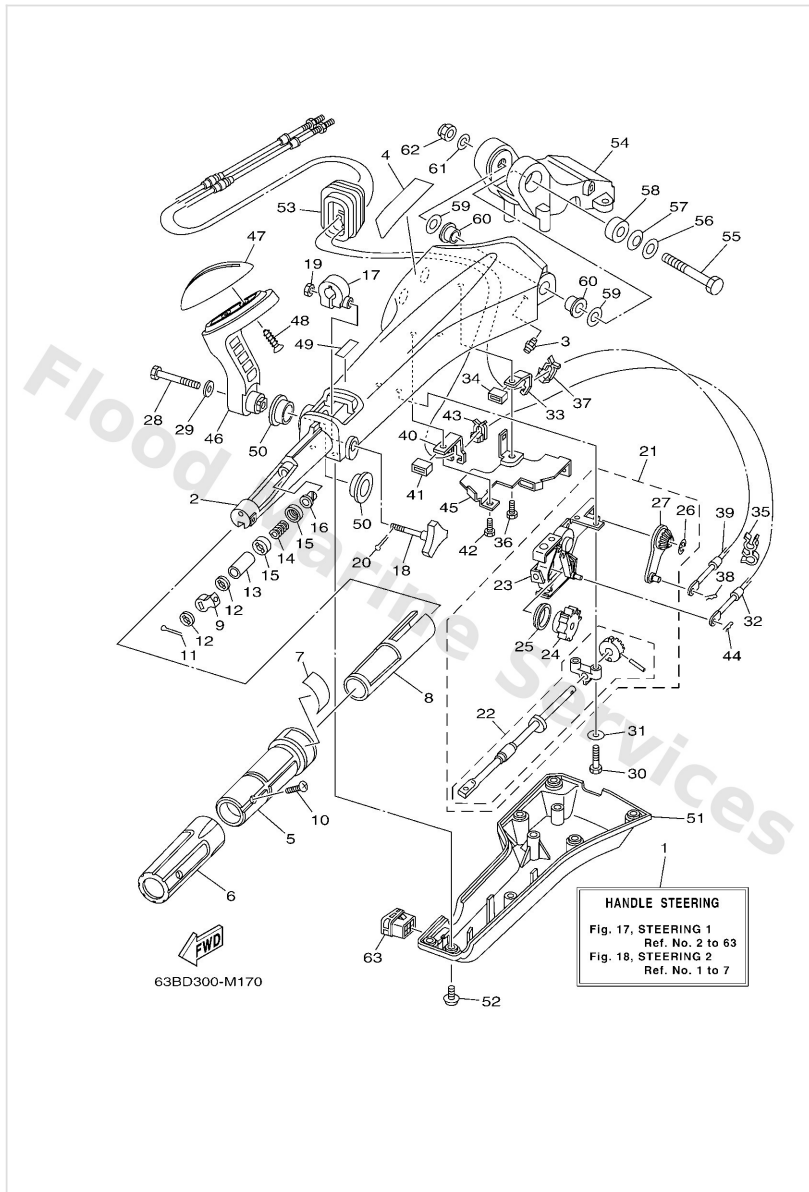
Ref	Part	
34	<a href="#">6AH8199540</a> Label, warning	<a href="#">Buy now</a>
35	<a href="#">6AH8199550</a> Label, warning	<a href="#">Buy now</a>
36	<a href="#">6AG8199600</a> Mark	<a href="#">Buy now</a>

# Steering 1



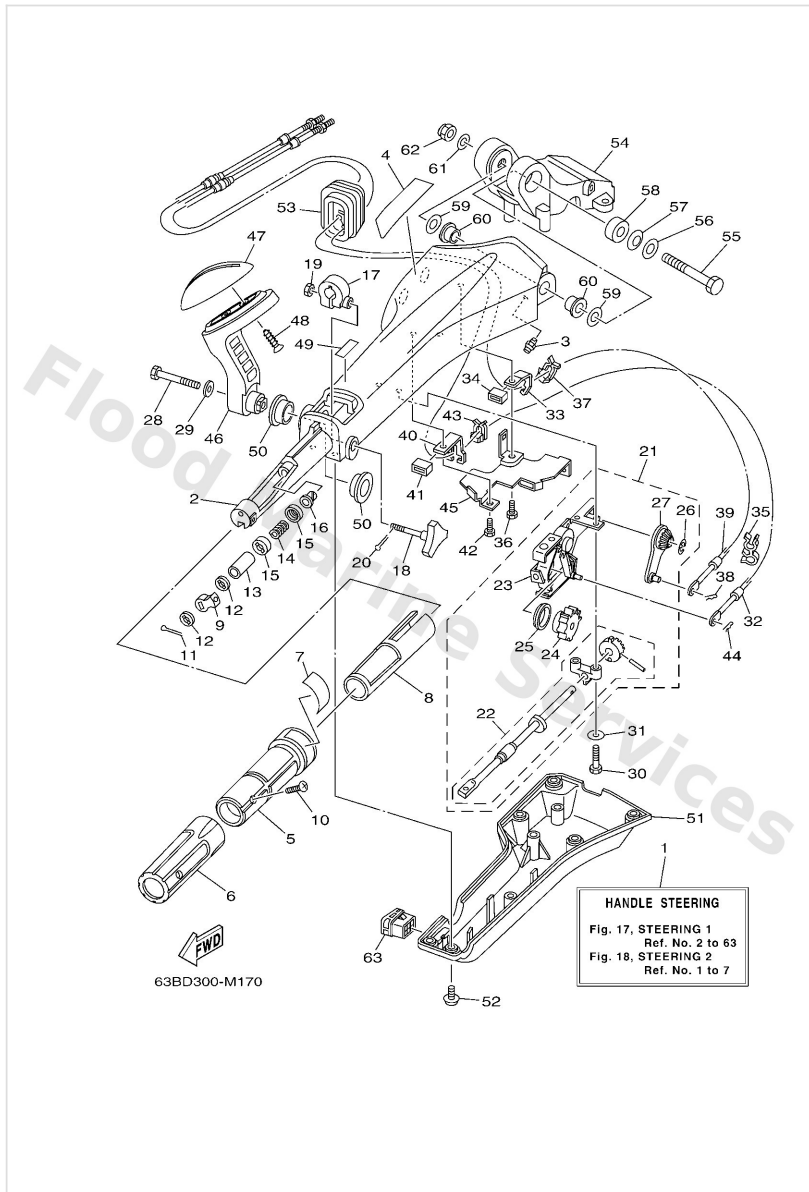
Ref	Part	
1	<a href="#">6X442101G4</a> Handle, steering	<a href="#">Buy now</a>
2	<a href="#">6X442111028D</a> Handle, steering	<a href="#">Buy now</a>
3	<a href="#">9370006M03</a> Nipple, grease(6a1)	<a href="#">Buy now</a>
4	<a href="#">6X44821510</a> Graphic	<a href="#">Buy now</a>
5	<a href="#">6X44211901</a> Grip, steering handle	<a href="#">Buy now</a>
6	<a href="#">6X44217700</a> Rubber, handle	<a href="#">Buy now</a>
7	<a href="#">6X44213700</a> Indicator, throttle	<a href="#">Buy now</a>
8	<a href="#">6X44129100</a> Bushing	<a href="#">Buy now</a>
9	<a href="#">6X44413901</a> Collar	<a href="#">Buy now</a>
10	<a href="#">9015205007</a> Screw, countersunk	<a href="#">Buy now</a>
11	<a href="#">9149020010</a> Pin, cotter	<a href="#">Buy now</a>
12	<a href="#">6X44417700</a> Washer	<a href="#">Buy now</a>
13	<a href="#">6X44212800</a> Collar, distance 1	<a href="#">Buy now</a>
14	<a href="#">9050123215</a> Spring (655)	<a href="#">Buy now</a>
15	<a href="#">6X44418800</a> Washer	<a href="#">Buy now</a>

# Steering 1



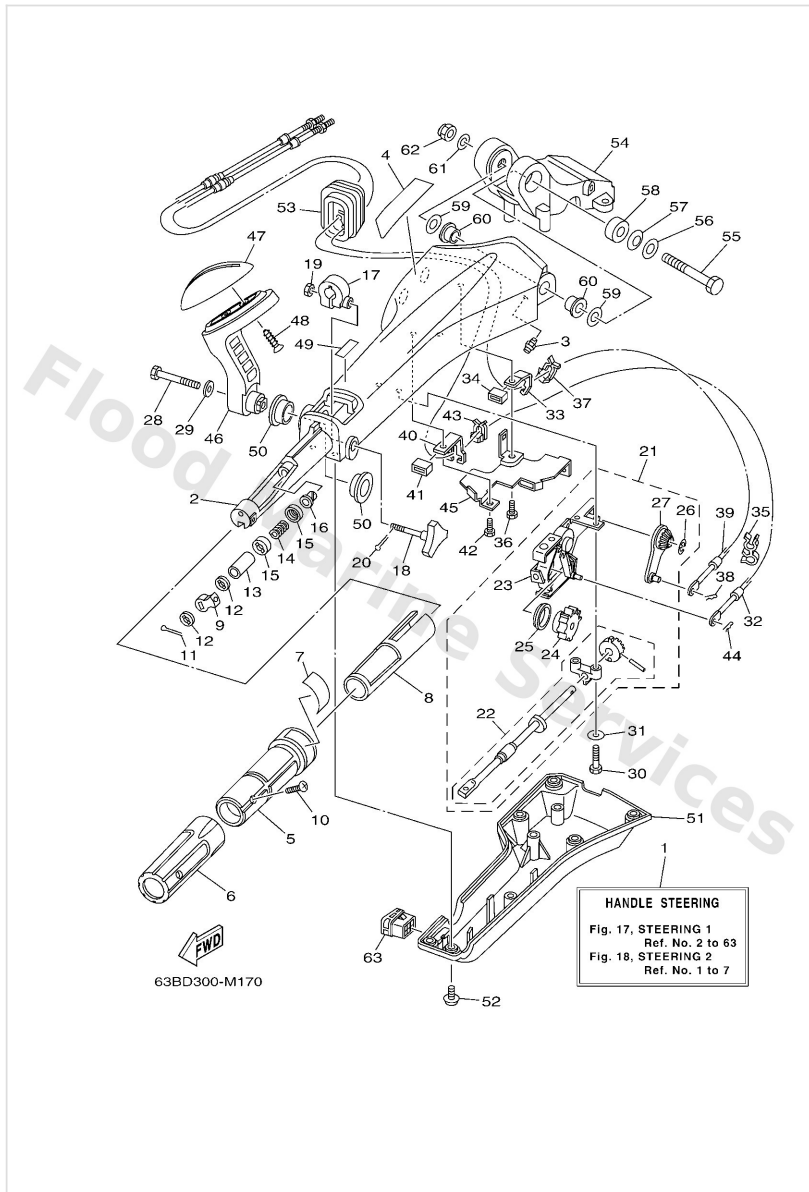
Ref	Part	
16	<a href="#">9038608032</a> Bushing (650)	<a href="#">Buy now</a>
17	<a href="#">63D4212600</a> Friction, steering handle grip	<a href="#">Buy now</a>
18	<a href="#">6X44815400</a> Knob, throttle	<a href="#">Buy now</a>
19	<a href="#">9538006600</a> Nut(661)	<a href="#">Buy now</a>
21	<a href="#">6X44410011</a> Shift link assembly	<a href="#">Buy now</a>
22	<a href="#">6X44211500</a> Shaft, steering handle	<a href="#">Buy now</a>
23	<a href="#">6X44410200</a> Shift assist assembly.	<a href="#">Buy now</a>
24	<a href="#">6X44773101</a> Gear, drive	<a href="#">Buy now</a>
25	<a href="#">6X44413200</a> Bushing	<a href="#">Buy now</a>
26	<a href="#">6X41413700</a> Clip	<a href="#">Buy now</a>
27	<a href="#">6X44826100</a> Arm, throttle	<a href="#">Buy now</a>
28	<a href="#">9709508040</a> Bolt, hexagon	<a href="#">Buy now</a>
29	<a href="#">9299508600</a> Washer, plain (663)	<a href="#">Buy now</a>
30	<a href="#">9709506030</a> Bolt(jf7)	<a href="#">Buy now</a>
31	<a href="#">9299506600</a> Washer, plain (646)	<a href="#">Buy now</a>

# Steering 1



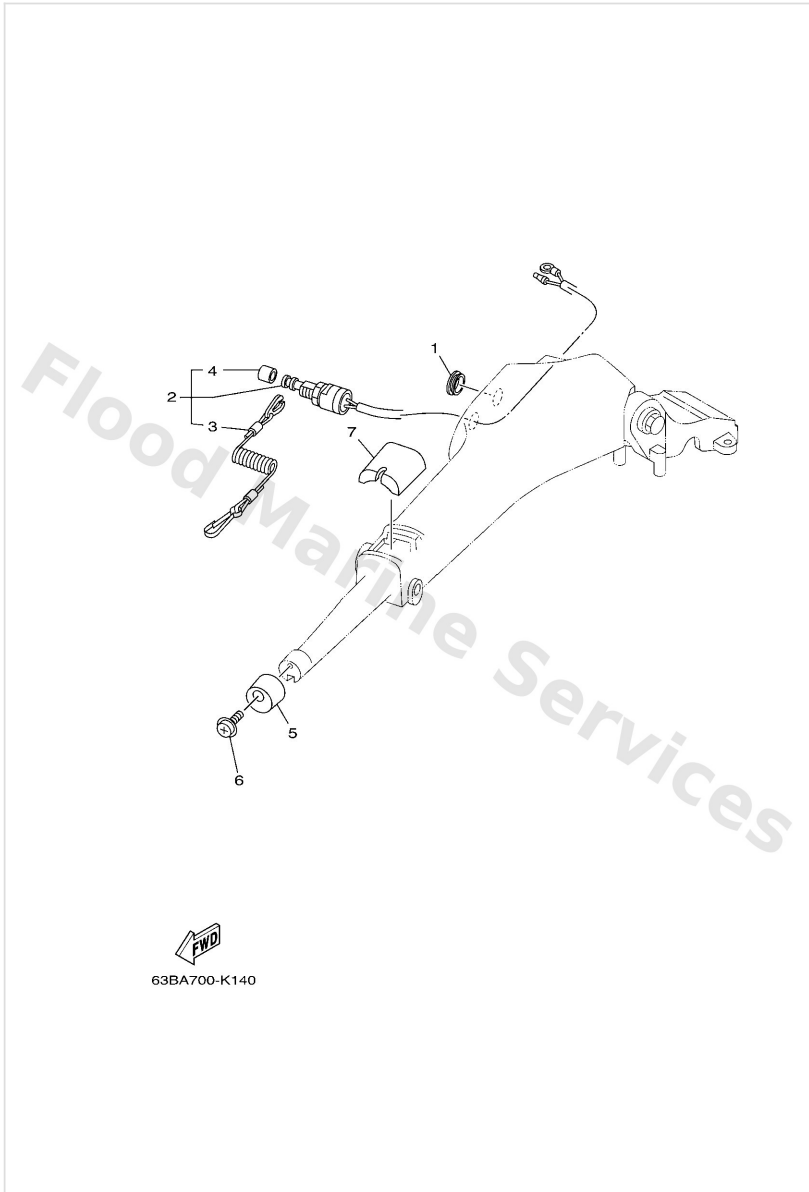
Ref	Part	
32	<a href="#">63D4832111</a> Cable	<a href="#">Buy now</a>
33	<a href="#">6X44853800</a> Clamp, cable 1	<a href="#">Buy now</a>
34	<a href="#">6X42636700</a> Protector	<a href="#">Buy now</a>
35	<a href="#">9046409M42</a> Clamp(6b0)	<a href="#">Buy now</a>
36	<a href="#">9709506014</a> Bolt(gj3)	<a href="#">Buy now</a>
37	<a href="#">63D4853800</a> Clamp, cable 1	<a href="#">Buy now</a>
38	<a href="#">9046810005</a> Pin, hair 6264123500	<a href="#">Buy now</a>
39	<a href="#">63D2630101</a> Throttle cable assembly	<a href="#">Buy now</a>
40	<a href="#">6X44853810</a> Clamp, cable 1	<a href="#">Buy now</a>
45	<a href="#">6X44215900</a> Stay	<a href="#">Buy now</a>
46	<a href="#">6X444159008D</a> Handle, gear shift	<a href="#">Buy now</a>
47	<a href="#">6X44417300</a> Lever, shift control	<a href="#">Buy now</a>
48	<a href="#">9778060920</a> Screw, tapping	<a href="#">Buy now</a>
49	<a href="#">6X34419100</a> Indicator, shift	<a href="#">Buy now</a>
50	<a href="#">9038626MA3</a> Bush	<a href="#">Buy now</a>

# Steering 1



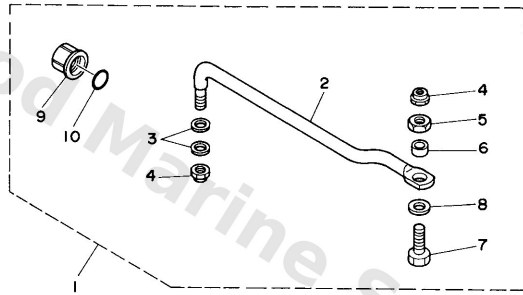
Ref	Part	
51	<a href="#">6X44213101</a> Cover, handle steering	<a href="#">Buy now</a>
52	<a href="#">9798506216</a> Screw, with washer(6h2)	<a href="#">Buy now</a>
53	<a href="#">6X44272510</a> Grommet	<a href="#">Buy now</a>
54	<a href="#">63D42121228D</a> Bracket	<a href="#">Buy now</a>
55	<a href="#">9010112014</a> Bolt	<a href="#">Buy now</a>
56	<a href="#">9299012200</a> Ybs66-12 washer,plain	<a href="#">Buy now</a>
57	<a href="#">9020612M22</a> Washer, wave(6b0)	<a href="#">Buy now</a>
58	<a href="#">9038712M02</a> Collar(6b0)	<a href="#">Buy now</a>
59	<a href="#">9020112035</a> Washer, plate	<a href="#">Buy now</a>
60	<a href="#">9038612003</a> Bush	<a href="#">Buy now</a>
61	<a href="#">9299012600</a> Washer, plate(663)	<a href="#">Buy now</a>
62	<a href="#">9018512M12</a> Nut, self-locking(6e5)	<a href="#">Buy now</a>
63	<a href="#">6X44272810</a> Cap	<a href="#">Buy now</a>

## Steering 2



Ref	Part	
1	<a href="#">6764272600</a> Grommet 3	<a href="#">Buy now</a>
2	<a href="#">6K58257503</a> Engine stop switch assembly	<a href="#">Buy now</a>
3	<a href="#">6828255600</a> Lanyard, stop switch	<a href="#">Buy now</a>
4	<a href="#">6898257Y00</a> Cap	<a href="#">Buy now</a>
5	<a href="#">6X44272800</a> Cap	<a href="#">Buy now</a>
6	<a href="#">9798006216</a> Screw, with washer(6h2)	<a href="#">Buy now</a>
7	<a href="#">6X48194201</a> Cover	<a href="#">Buy now</a>

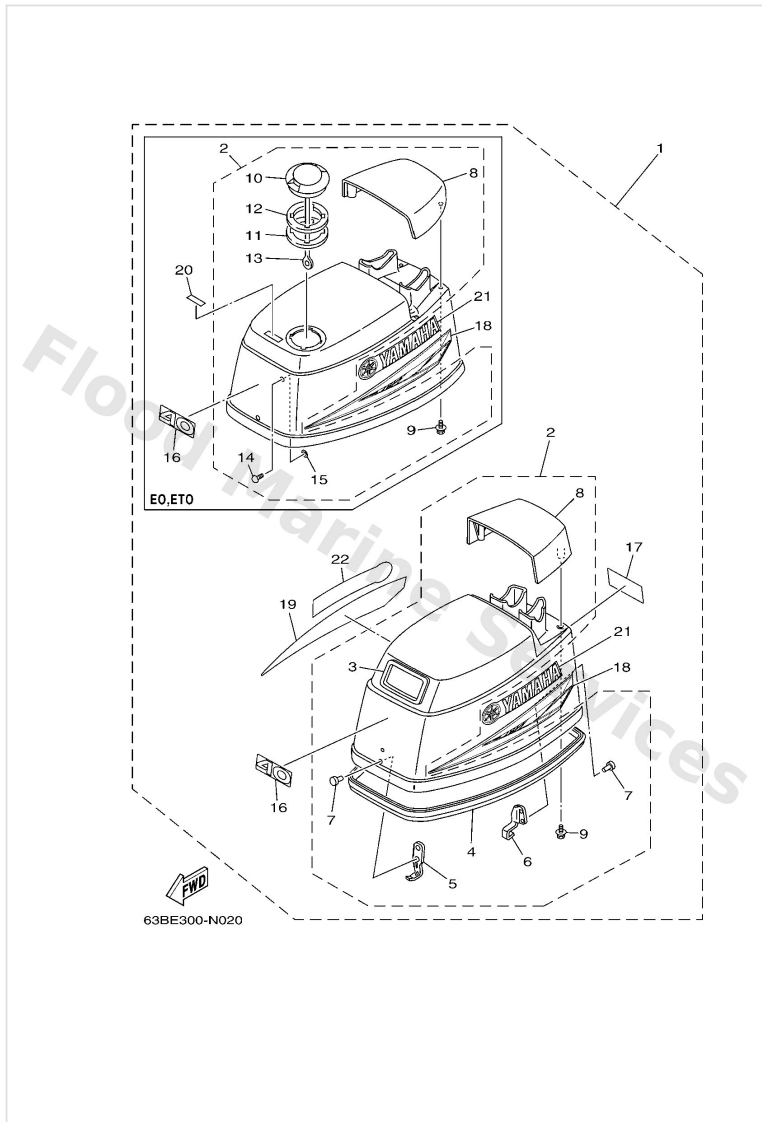
# Steering Guide



62Y0010-5200

Ref	Part	
1	<a href="#">63D6135000</a> Steering guide attachment kit AP	<a href="#">Buy now</a>
2	<a href="#">63D6135100</a> Rod, steering link	<a href="#">Buy now</a>
3	<a href="#">9020110M20</a> Washer, plate (663)	<a href="#">Buy now</a>
4	<a href="#">9018509M01</a> Nut, nylon (663)	<a href="#">Buy now</a>
5	<a href="#">9017009M03</a> Nut (689)	<a href="#">Buy now</a>
6	<a href="#">9038710M42</a> Coller (688)	<a href="#">Buy now</a>
7	<a href="#">9010109M01</a> Bolt(62x)	<a href="#">Buy now</a>
8	<a href="#">9020110M63</a> Washer, plate	<a href="#">Buy now</a>
9	<a href="#">6E54314501</a> Cap, clamp bracket	<a href="#">Buy now</a>
10	<a href="#">9321016275</a> O-ring	<a href="#">Buy now</a>

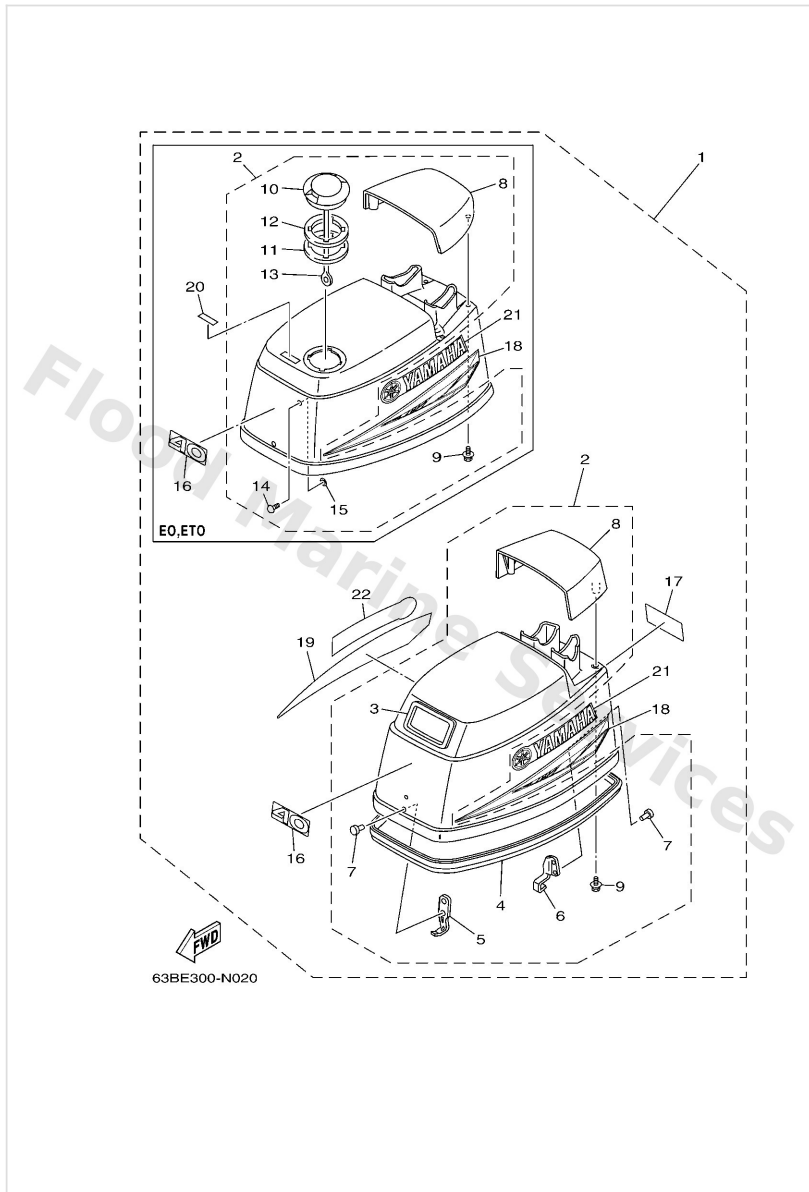
# Top Cowling



Ref	Part	
1	<a href="#">62X4261000</a> - 50HMHO,MHOD	<a href="#">Buy now</a>
1	<a href="#">62X4261070</a> - 50HETO	<a href="#">Buy now</a>
1	<a href="#">63D4261070</a> Top cowling assembly 40VMHO	<a href="#">Buy now</a>
1	<a href="#">63D4261080</a> Top cowling assembly 40VEO	<a href="#">Buy now</a>
2	<a href="#">6H44261A00</a> Top cowling w/o graphics	<a href="#">Buy now</a>
2	<a href="#">6H44261A10</a> Top cowling w/o graphics	<a href="#">Buy now</a>
3	<a href="#">6H41576100</a> Seal 1	<a href="#">Buy now</a>
4	<a href="#">6H44261500</a> Seal	<a href="#">Buy now</a>
5	<a href="#">6H44265100</a> Hook 1	<a href="#">Buy now</a>
6	<a href="#">6H44265200</a> Hook 2	<a href="#">Buy now</a>
7	<a href="#">9026604M01</a> Rivet (689)	<a href="#">Buy now</a>
8	<a href="#">6H442613014D</a> Molding, air duct	<a href="#">Buy now</a>
8	<a href="#">6H442613114D</a> Molding air duct	<a href="#">Buy now</a>
9	<a href="#">9011906M99</a> Bolt, with washer(6h4)	<a href="#">Buy now</a>
10	<a href="#">63D2177H00</a> Disk cap 2	<a href="#">Buy now</a>

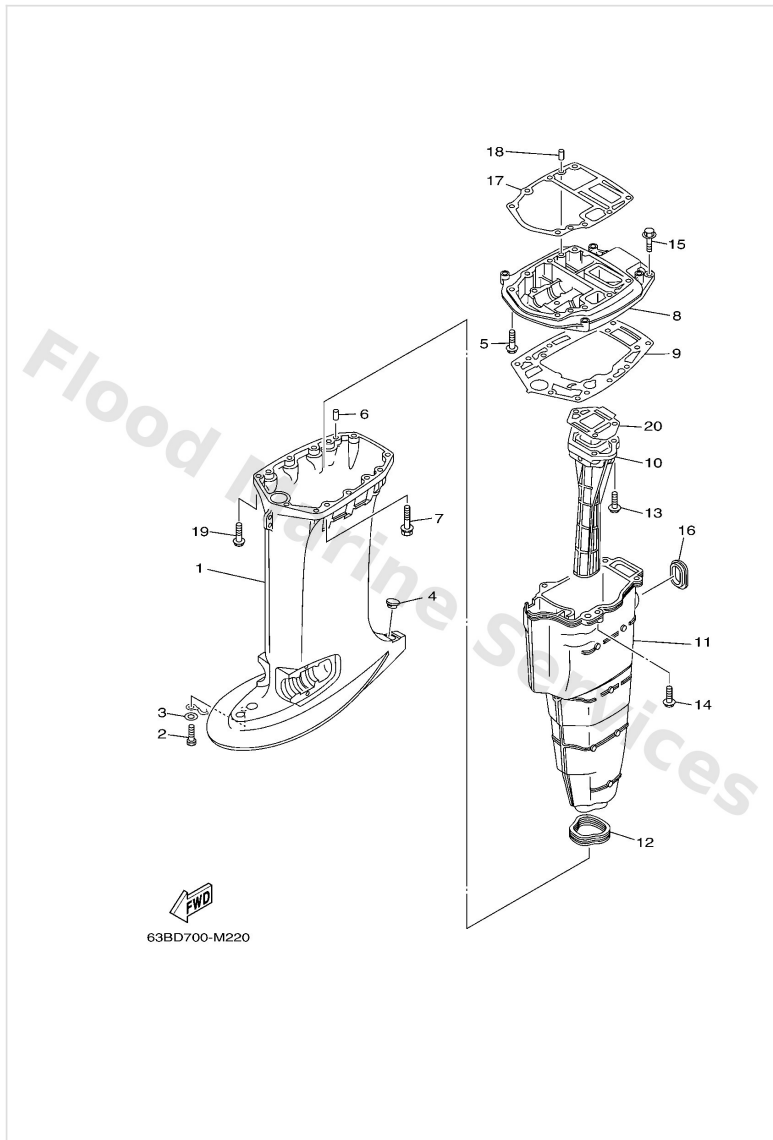


# Top Cowling



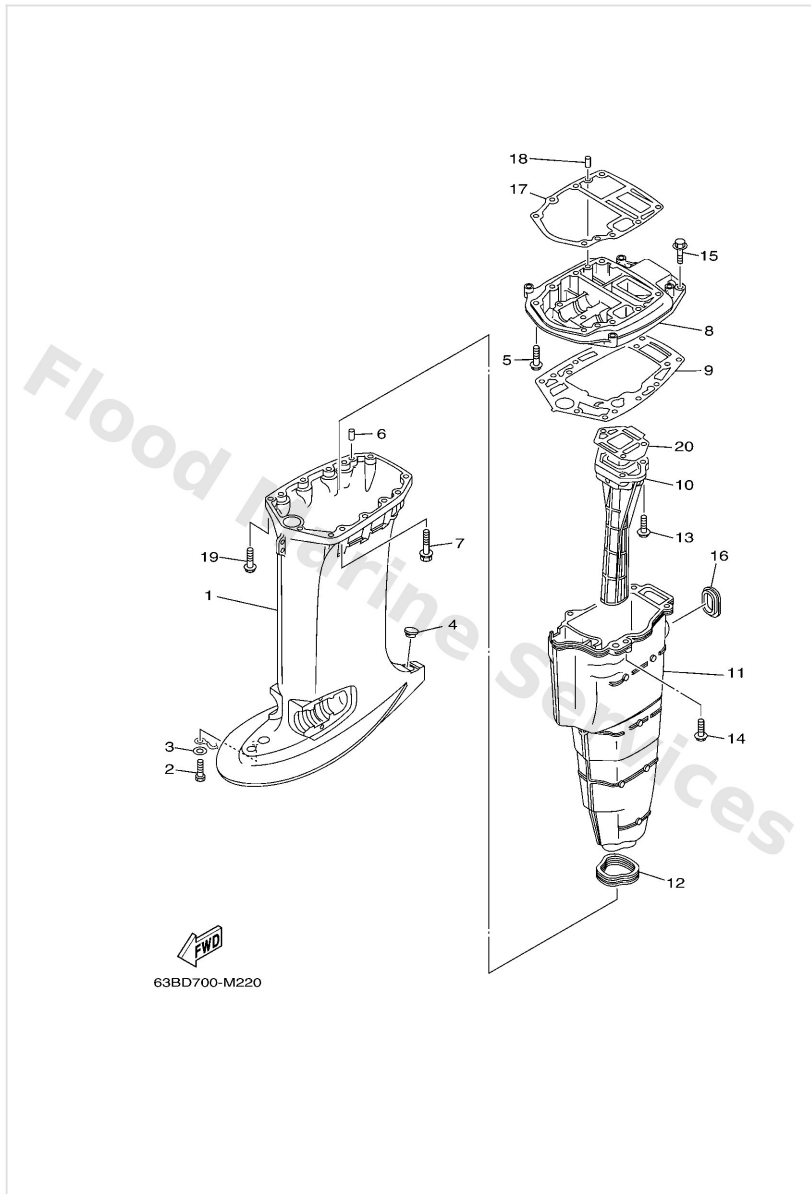
Ref	Part	
11	<a href="#">6H32173200</a> Seal 1	<a href="#">Buy now</a>
12	<a href="#">6H32173500</a> Seal 2	<a href="#">Buy now</a>
13	<a href="#">6H14269400</a> Band	<a href="#">Buy now</a>
14	<a href="#">9033805M03</a> Plug (6h1)	<a href="#">Buy now</a>
15	<a href="#">9018305M06</a> Nut, spring(6h4)	<a href="#">Buy now</a>
16	<a href="#">62X4267840</a> - 50H	<a href="#">Buy now</a>
16	<a href="#">63D4267840</a> Graphic, rear 40V	<a href="#">Buy now</a>
18	<a href="#">6884267540</a> Graphic, side 1	<a href="#">Buy now</a>
19	<a href="#">6884267640</a> Graphic, side 2	<a href="#">Buy now</a>
20	<a href="#">63D1343640</a> Mark	<a href="#">Buy now</a>
21	<a href="#">63D4268140</a> Mark, cowling	<a href="#">Buy now</a>

# Upper Casing



Ref	Part	
1	<a href="#">63D45111014D</a> Casing, upper S(16.0")	<a href="#">Buy now</a>
1	<a href="#">63D45111114D</a> Casing, upper L(21.0")	<a href="#">Buy now</a>
2	<a href="#">9709506012</a> Bolt(gh1)	<a href="#">Buy now</a>
3	<a href="#">9299506600</a> Washer, plain (646)	<a href="#">Buy now</a>
4	<a href="#">63D4515500</a> Cap	<a href="#">Buy now</a>
5	<a href="#">9757508545</a> Bolt, hexagon w/w deep recess	<a href="#">Buy now</a>
6	<a href="#">9360612019</a> Pin, dowel (614)	<a href="#">Buy now</a>
7	<a href="#">9011908M83</a> Bolt, with washer(697)	<a href="#">Buy now</a>
8	<a href="#">63D4113701CA</a> Guide, exhaust	<a href="#">Buy now</a>
9	<a href="#">63D45114A0</a> Gasket, upper casing	<a href="#">Buy now</a>
10	<a href="#">6H44113101CA</a> Manifold, ext. 1 40V	<a href="#">Buy now</a>
10	<a href="#">6H54113100CA</a> Manifold, ext 50H	<a href="#">Buy now</a>
11	<a href="#">63D1471100CA</a> Muffler 1 S(16.0")	<a href="#">Buy now</a>
11	<a href="#">63D1471111CA</a> Muffler 1 L(21.0")	<a href="#">Buy now</a>
12	<a href="#">63D4512300</a> Gasket, muffler	<a href="#">Buy now</a>

# Upper Casing



Ref	Part	
13	<a href="#">9757508530</a> Bolt, hexagon w/w deep recess	<a href="#">Buy now</a>
16	<a href="#">6H34512700</a> Seal 1	<a href="#">Buy now</a>
17	<a href="#">6H445113A0</a> Gasket, upper casing	<a href="#">Buy now</a>
20	<a href="#">6H441134A0</a> Gasket, exhaust manifold	<a href="#">Buy now</a>

# Disclaimer

This document is provided for convenience only. It is **not** an official Yamaha publication and is **not supplied, endorsed, or approved** by Yamaha Motor Co., Ltd.

Reasonable efforts are made to keep information accurate; however diagrams, part references, supersessions, descriptions, and applicability may contain errors or omissions. Specifications and part availability may change without notice.

You are responsible for confirming the correct parts for your engine (including model code, year, serial range, and any superseded part numbers) before ordering or fitting.