



# Yamaha 8CMH 2002

## Parts Manual

[www.floodmarine.co.uk](http://www.floodmarine.co.uk)

+44 2882 246 539

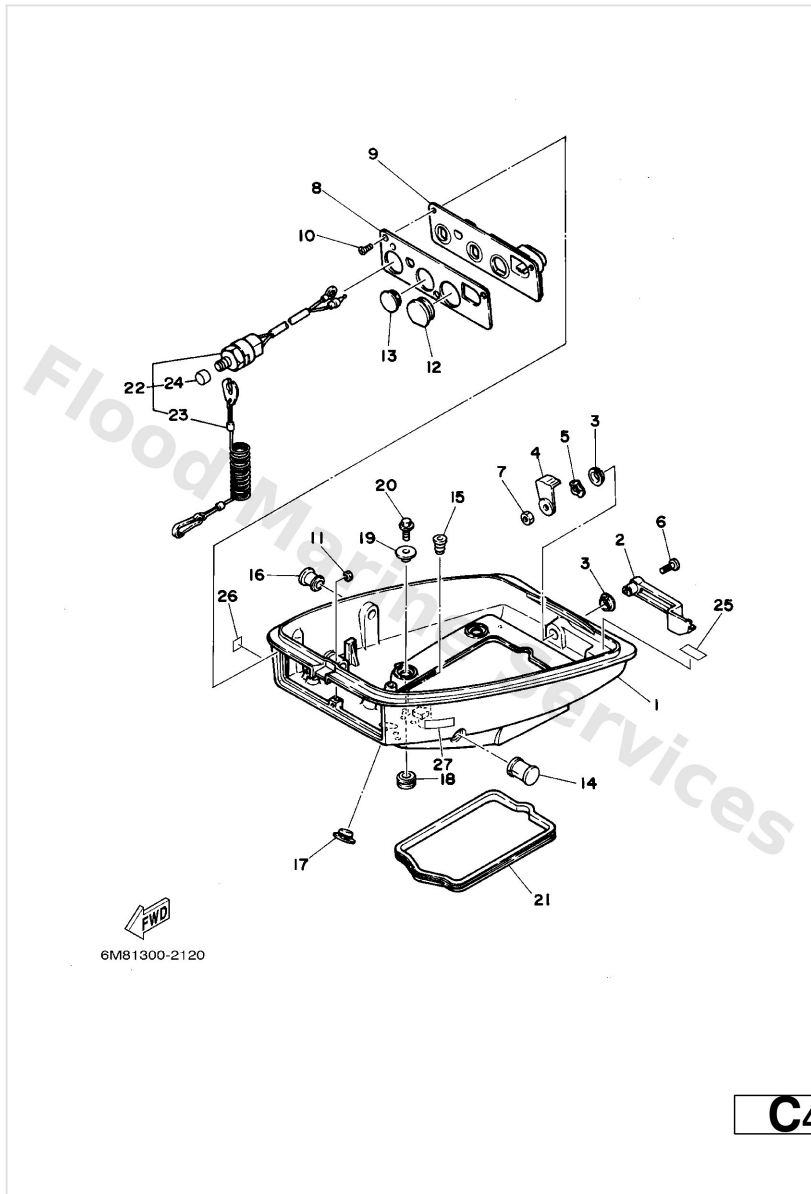
Authorised Yamaha Dealers



# Contents

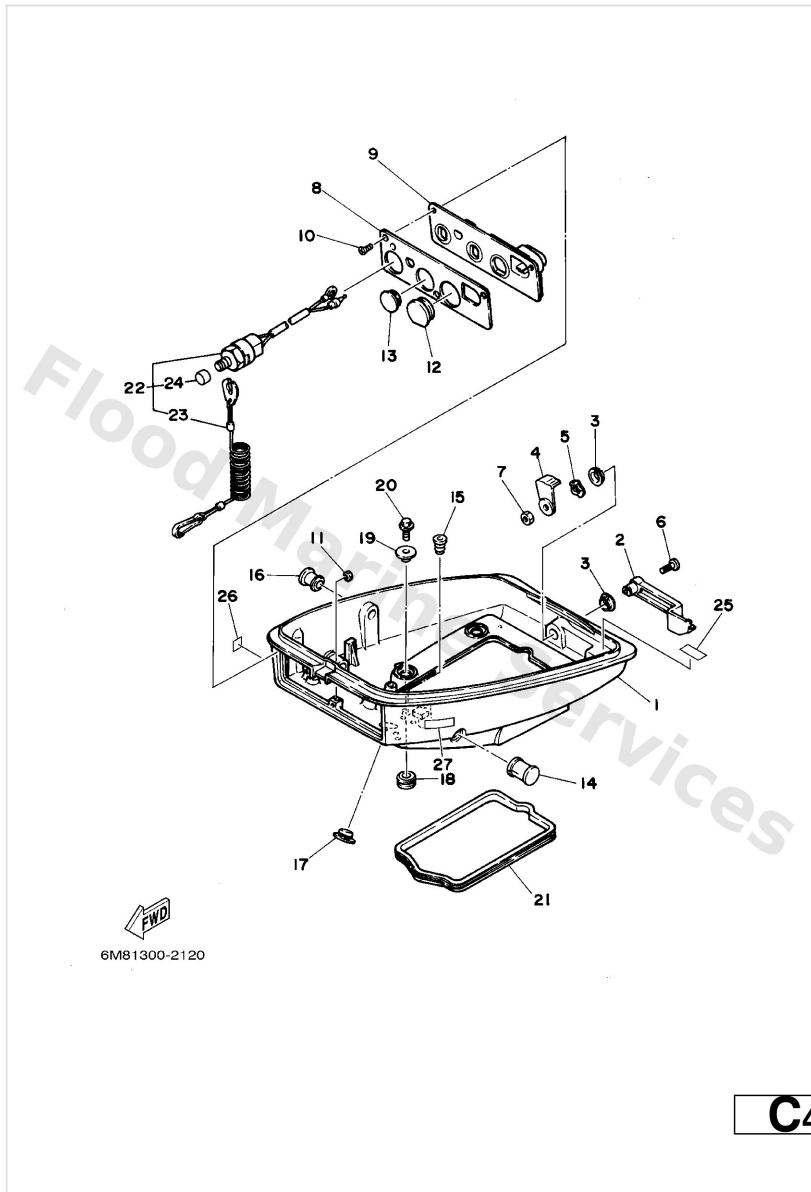
<b>BOTTOM COWLING</b> .....	3
<b>BRACKET</b> .....	5
<b>CARBURETOR</b> .....	9
<b>CONTROL</b> .....	12
<b>CRANKSHAFT. PISTON</b> .....	15
<b>CYLINDER. CRANKCASE</b> .....	17
<b>ELECTRICAL 1</b> .....	19
<b>ELECTRICAL 2</b> .....	21
<b>FUEL</b> .....	23
<b>FUEL TANK</b> .....	24
<b>GENERATOR</b> .....	25
<b>INTAKE</b> .....	27
<b>LOWER CASING. DRIVE 1</b> .....	29
<b>LOWER CASING. DRIVE 2</b> .....	33
<b>REPAIR KIT</b> .....	35
<b>STARTER</b> .....	38
<b>STARTING MOTOR</b> .....	41
<b>STEERING</b> .....	43
<b>TOP COWLING</b> .....	45
<b>UPPER CASING</b> .....	46

# Bottom Cowling



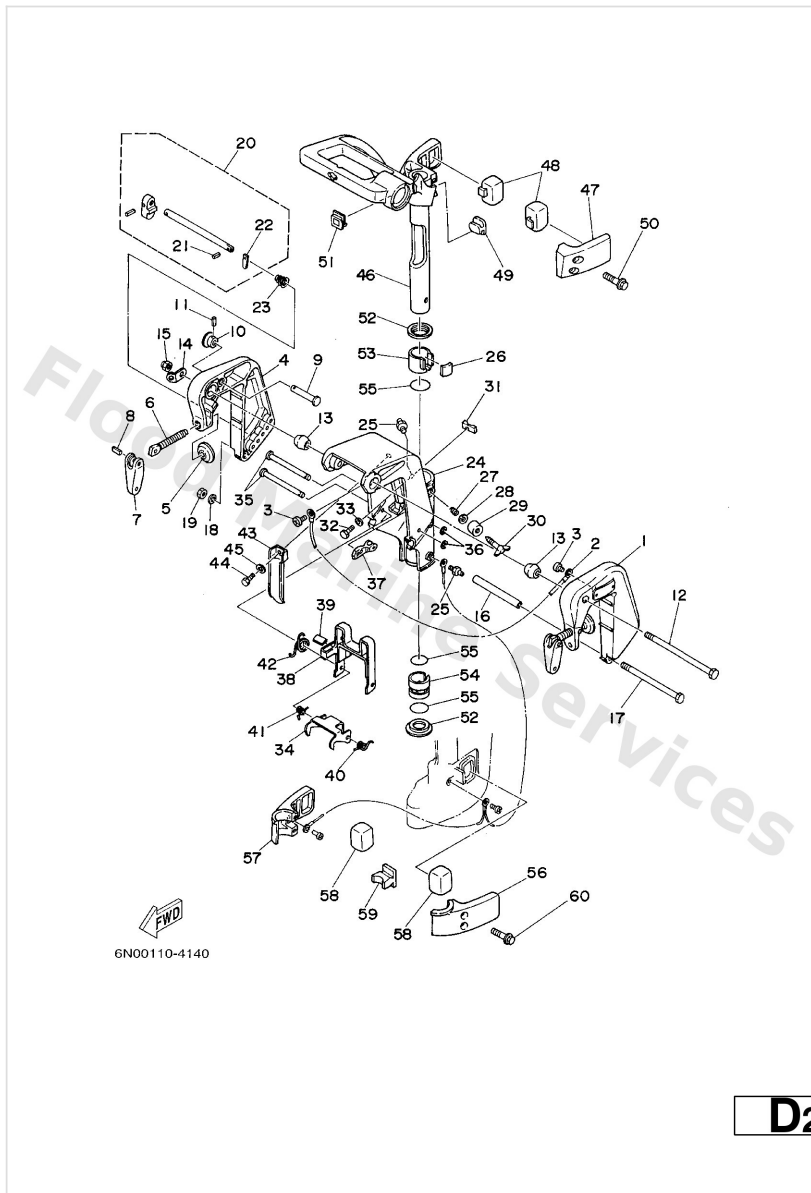
Ref	Part	
3	<a href="#">90386--12M45</a> Bushing (6g1)	<a href="#">Buy now</a>
4	<a href="#">6E0--42816--00</a> Lever, clamp	<a href="#">Buy now</a>
5	<a href="#">90206--12052</a> Washer, wave (666)	<a href="#">Buy now</a>
6	<a href="#">97885--06030</a> Screw, pan head(6e0)	<a href="#">Buy now</a>
7	<a href="#">95380--06700</a> Nut	<a href="#">Buy now</a>
8	<a href="#">6N0--G2719--80</a> Pannel front lower	<a href="#">Buy now</a>
9	<a href="#">6N0--G2767--00</a> Bracket 3	<a href="#">Buy now</a>
10	<a href="#">90149--05M02</a> Screw (6g1)	<a href="#">Buy now</a>
11	<a href="#">95380--05700</a> Nut (656)	<a href="#">Buy now</a>
12	<a href="#">6G14272400</a> Grommet	<a href="#">Buy now</a>
13	<a href="#">6G1--42725--00</a> Grommet	<a href="#">Buy now</a>
14	<a href="#">6G1--42726--00</a> Grommet 3	<a href="#">Buy now</a>
15	<a href="#">6G1--42727--00</a> Grommet	<a href="#">Buy now</a>
16	<a href="#">6G1--42748--00</a> Grommet	<a href="#">Buy now</a>
17	<a href="#">6G1--26326--00</a> Grommet	<a href="#">Buy now</a>

# Bottom Cowling



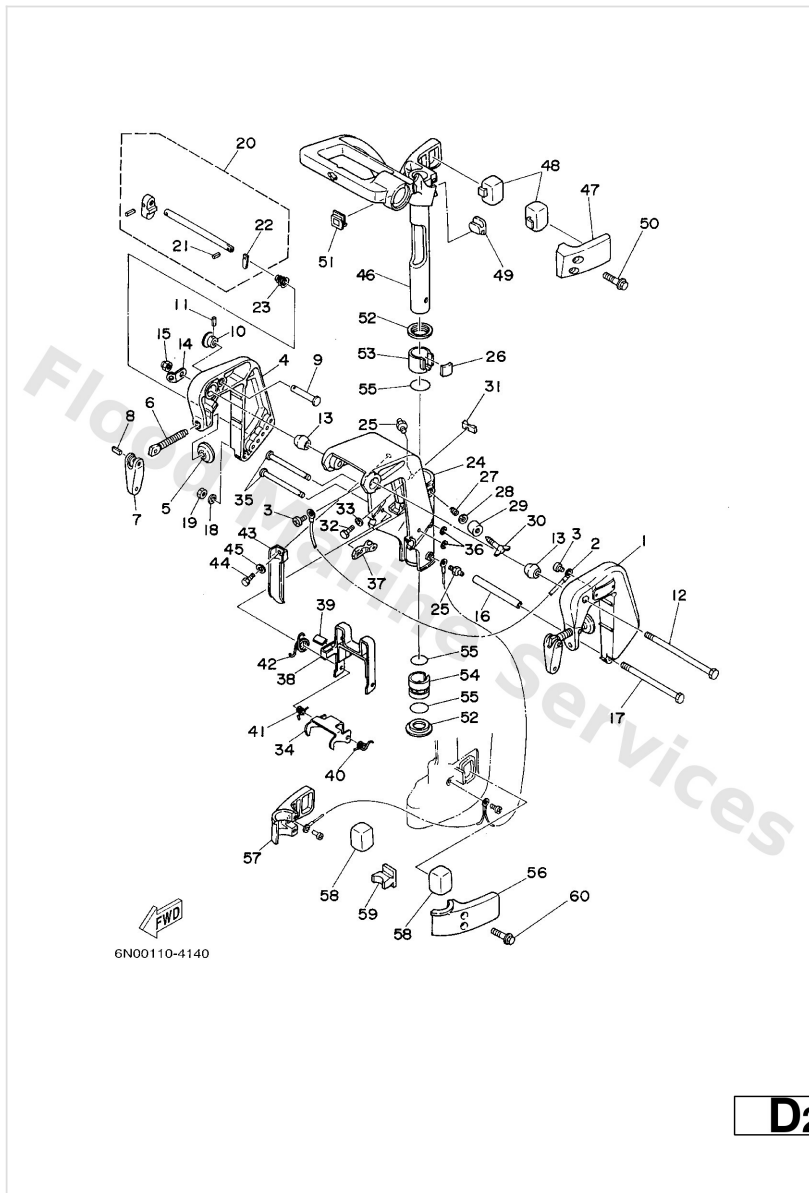
Ref	Part	
18	<a href="#">90480--15M31</a> Grommet (6g1)	<a href="#">Buy now</a>
19	<a href="#">90387--06M52</a> Collar (6g1)	<a href="#">Buy now</a>
20	<a href="#">95895--06020</a> Bolt, flange(jk3)	<a href="#">Buy now</a>
21	<a href="#">6N0--G2716--00</a> Rubber, seal 1	<a href="#">Buy now</a>
22	<a href="#">6E9--82575--02</a> Engine stop switch assembly	<a href="#">Buy now</a>
23	<a href="#">682--82556--00</a> Lanyard, stop switch	<a href="#">Buy now</a>
24	<a href="#">689--8257Y--00</a> Cap	<a href="#">Buy now</a>
25	<a href="#">6E7--42791--10</a> Mark 1 6C,8C	<a href="#">Buy now</a>
25	<a href="#">6H8--42791--10</a> Mark 1 6D	<a href="#">Buy now</a>
26	<a href="#">6N0--F8176--00</a> Caution Sticker	<a href="#">Buy now</a>
27	<a href="#">68D--H257H--00</a> Plate, Mark	<a href="#">Buy now</a>

# Bracket



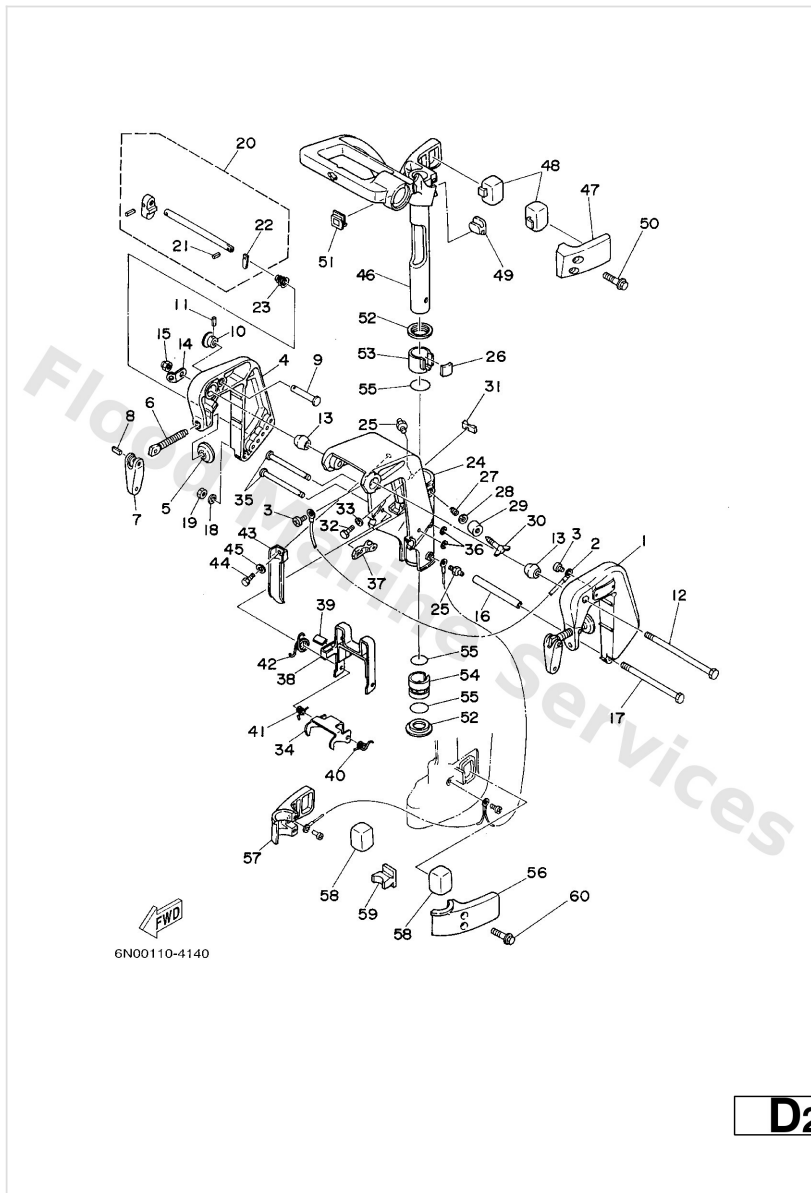
Ref	Part	
2	<a href="#">6E5--82148--00</a> Wire, lead 5	<a href="#">Buy now</a>
3	<a href="#">97885--06008</a> Screw, pan head(6a3)	<a href="#">Buy now</a>
5	<a href="#">620--43114--00</a> Pad, transom clamp	<a href="#">Buy now</a>
6	<a href="#">6N0--G3116--00</a> Screw, transom clamp.	<a href="#">Buy now</a>
7	<a href="#">6L8--G3118--01</a> Handle, transom cl	<a href="#">Buy now</a>
8	<a href="#">90243--04M01</a> Pin(6a1)	<a href="#">Buy now</a>
9	<a href="#">689--43191--00</a> Shaft, stopper	<a href="#">Buy now</a>
10	<a href="#">689--43192--01</a> Knob, stopper	<a href="#">Buy now</a>
11	<a href="#">91690--30016</a> Pin, spring	<a href="#">Buy now</a>
12	<a href="#">90101--08869</a> Bolt(6h6)	<a href="#">Buy now</a>
13	<a href="#">6N0G313600</a> Piece, friction	<a href="#">Buy now</a>
14	<a href="#">6A1--43113--01</a> Plate, clamp bracket	<a href="#">Buy now</a>
15	<a href="#">90185--08057</a> Nut, nylon (6j8)	<a href="#">Buy now</a>
16	<a href="#">90387--06M13</a> Collar(6h6)	<a href="#">Buy now</a>
17	<a href="#">97095--06135</a> Bolt(6g1)	<a href="#">Buy now</a>

# Bracket



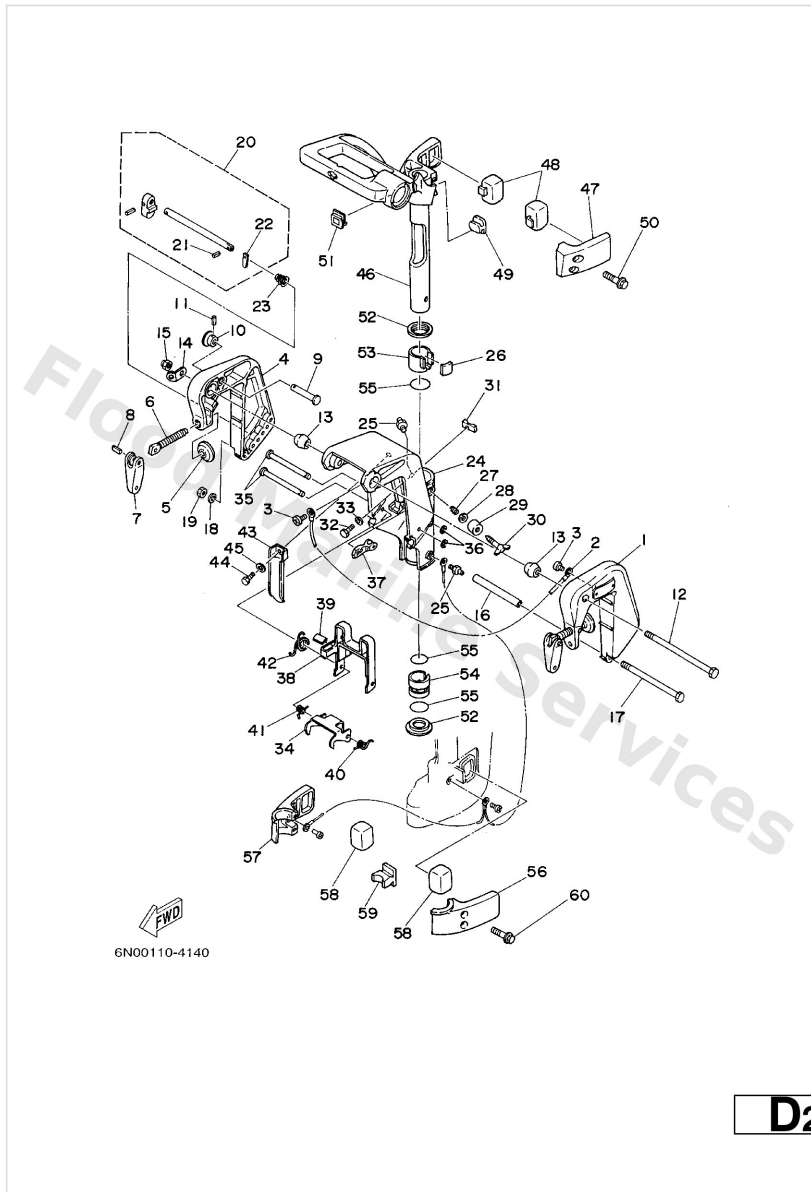
Ref	Part	
18	<a href="#">92990--06600</a> Washer, plain (646)	<a href="#">Buy now</a>
19	<a href="#">95380--06600</a> Nut(661)	<a href="#">Buy now</a>
20	<a href="#">6N0--G3160--00</a> Tilt rod assembly	<a href="#">Buy now</a>
21	<a href="#">91690--30008</a> Pin. spring(656)	<a href="#">Buy now</a>
22	<a href="#">6N0--G3165--00</a> Plate, tilt lock	<a href="#">Buy now</a>
23	<a href="#">90502--10M06</a> Spring, conical(6g1)	<a href="#">Buy now</a>
25	<a href="#">93700--06M03</a> Nipple, grease(6a1)	<a href="#">Buy now</a>
26	<a href="#">6G1--42528--00</a> Piece, friction	<a href="#">Buy now</a>
27	<a href="#">90501--18M00</a> Spring, compression (676)	<a href="#">Buy now</a>
28	<a href="#">92990--08600</a> Washer, plain (663)	<a href="#">Buy now</a>
29	<a href="#">6G1--43373--00</a> Seal, damper	<a href="#">Buy now</a>
30	<a href="#">6G1--42529--00</a> Screw, friction piece	<a href="#">Buy now</a>
31	<a href="#">6G1--44532--01</a> Stopper, upper mount	<a href="#">Buy now</a>
32	<a href="#">97095--06010</a> Bolt	<a href="#">Buy now</a>
33	<a href="#">92995--06600</a> Washer, plain (646)	<a href="#">Buy now</a>

# Bracket



Ref	Part	
34	<a href="#">6N0--G3614--00</a> Plate, tilt lock	<a href="#">Buy now</a>
35	<a href="#">6G1--43659--00</a> Shaft, reverse lock	<a href="#">Buy now</a>
36	<a href="#">99080--05600</a> Circlip(22k)	<a href="#">Buy now</a>
37	<a href="#">6G14361501</a> Plate, tilt lock	<a href="#">Buy now</a>
38	<a href="#">6G1--43681--00</a> Lever, shallow water drive	<a href="#">Buy now</a>
39	<a href="#">6G1--43318--01</a> Cover	<a href="#">Buy now</a>
40	<a href="#">90508--10M15</a> Spring, torsion (6g1)	<a href="#">Buy now</a>
41	<a href="#">90508--10M16</a> Spring, torsion (6g1)	<a href="#">Buy now</a>
42	<a href="#">90508--14M17</a> Spring, torsion (6g1)	<a href="#">Buy now</a>
43	<a href="#">6N0--G2731--00</a> Carrying handle	<a href="#">Buy now</a>
44	<a href="#">97095--08016</a> Bolt, hexagon deep recess	<a href="#">Buy now</a>
45	<a href="#">92995--08600</a> Washer, plain (663)	<a href="#">Buy now</a>
48	<a href="#">6N0--G4514--00</a> Mount damper, upper side	<a href="#">Buy now</a>
49	<a href="#">6G1--44516--00</a> Mount damper, upper front	<a href="#">Buy now</a>
50	<a href="#">95895--06035</a> Bolt, flange(4nx)	<a href="#">Buy now</a>

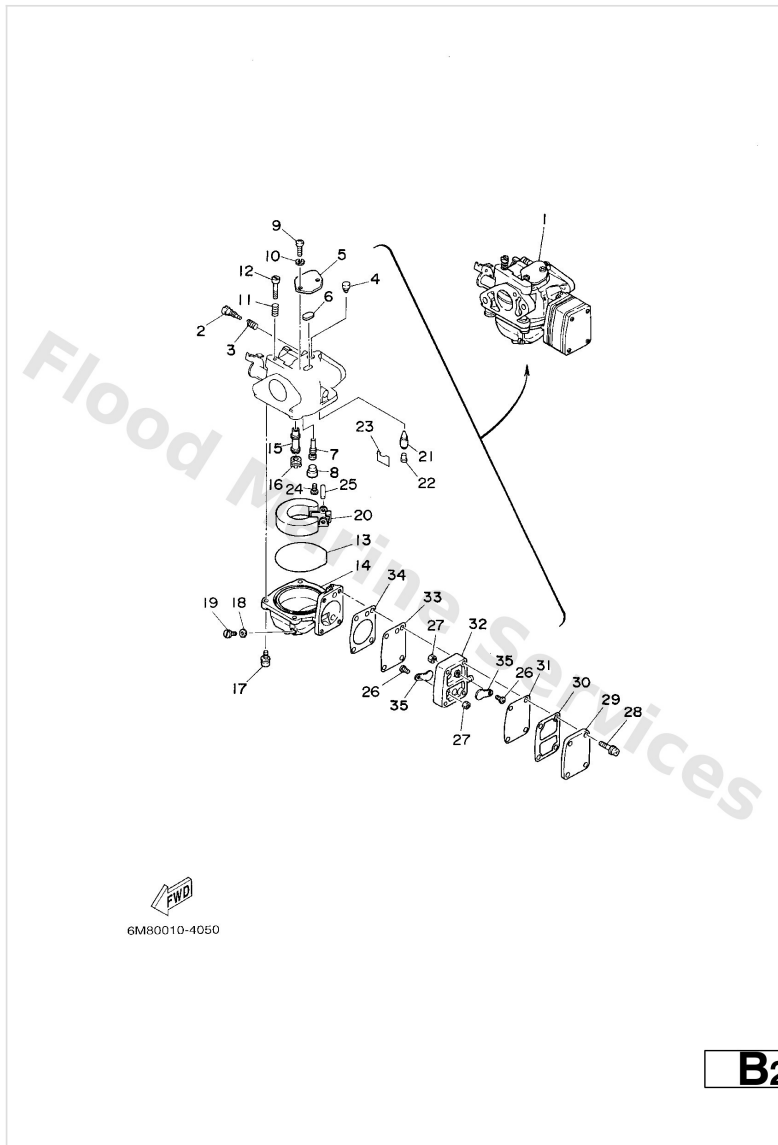
# Bracket



Ref	Part	
51	<a href="#">6G1--42551--00</a> Grommet	<a href="#">Buy now</a>
52	<a href="#">6G1--42535--00</a> Washer, thrust 1	<a href="#">Buy now</a>
53	<a href="#">6G1--42537--00</a> Bushing, pivot shaft	<a href="#">Buy now</a>
54	<a href="#">6G1--42538--01</a> Bushing, pivot shaft	<a href="#">Buy now</a>
55	<a href="#">93210--30M31</a> O-ring (6a5)	<a href="#">Buy now</a>
58	<a href="#">6N0--G4555--A0</a> Mount damper, lower side	<a href="#">Buy now</a>
59	<a href="#">6N0--G4557--A0</a> Mount damper, lower front	<a href="#">Buy now</a>

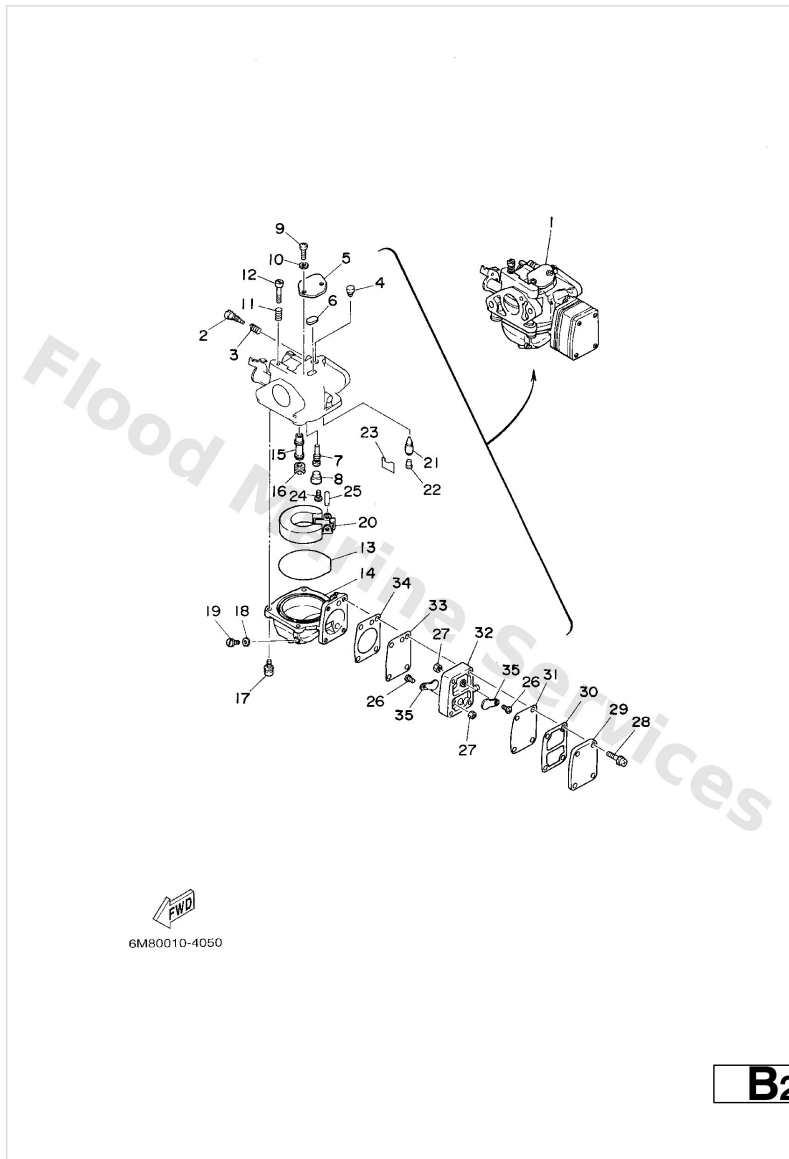


# Carburetor



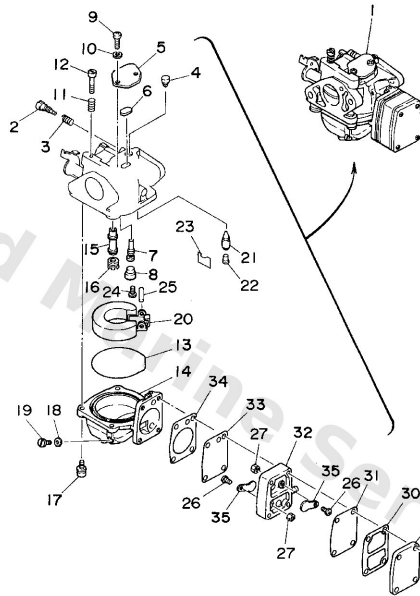
Ref	Part	
1	<a href="#">6G1--14301--01</a> Carburetor assembly 1 8C	<a href="#">Buy now</a>
1	<a href="#">6H6--14301--01</a> Carburetor assembly 1 6C	<a href="#">Buy now</a>
1	<a href="#">6H81430101</a> -	<a href="#">Buy now</a>
2	<a href="#">679--14923--00</a> Screw, pilot	<a href="#">Buy now</a>
3	<a href="#">679--14555--00</a> Spring	<a href="#">Buy now</a>
4	<a href="#">6G1--14966--00</a> Cap	<a href="#">Buy now</a>
5	<a href="#">6G1--14527--00</a> Plate	<a href="#">Buy now</a>
6	<a href="#">6G1--14126--00</a> Packing	<a href="#">Buy now</a>
7	<a href="#">6G1--14948--05</a> Jet (#45)	<a href="#">Buy now</a>
8	<a href="#">676--14966--00</a> Rubber cap	<a href="#">Buy now</a>
9	<a href="#">97880--04010</a> Screw, pan head (e56)	<a href="#">Buy now</a>
10	<a href="#">92990--04100</a> Ybs67-4 washer, spring	<a href="#">Buy now</a>
11	<a href="#">90501--10326</a> Spring coil(663)(carb)	<a href="#">Buy now</a>
12	<a href="#">63V--14523--00</a> Screw, stop	<a href="#">Buy now</a>
13	<a href="#">6G1--14984--00</a> Gasket, float chamber	<a href="#">Buy now</a>

# Carburetor



Ref	Part	
14	<a href="#">6G1--14980--01</a> Body, float chamber	<a href="#">Buy now</a>
15	<a href="#">6G1--14947--00</a> Nozzle, main 8C	<a href="#">Buy now</a>
15	<a href="#">6H6--14947--00</a> Nozzle, main 6C	<a href="#">Buy now</a>
15	<a href="#">6H81494700</a> -	<a href="#">Buy now</a>
16	<a href="#">676--14943--26</a> Jet, main (#98) 6C,8C	<a href="#">Buy now</a>
16	<a href="#">6761494327</a> Jet, main (#100) 6D	<a href="#">Buy now</a>
17	<a href="#">97980--04114</a> Screw, pan head(ga5)	<a href="#">Buy now</a>
18	<a href="#">6G1--14398--00</a> Washer	<a href="#">Buy now</a>
19	<a href="#">6G1--14992--00</a> Screw, drain	<a href="#">Buy now</a>
20	<a href="#">6G1--14985--00</a> Float comp.	<a href="#">Buy now</a>
21	<a href="#">6G1--14546--00</a> Valve, needle	<a href="#">Buy now</a>
22	<a href="#">676--14186--00</a> Pin, valve	<a href="#">Buy now</a>
23	<a href="#">663--14159--00</a> Clip	<a href="#">Buy now</a>
24	<a href="#">98580--04008</a> Screw, pan head (713)	<a href="#">Buy now</a>
25	<a href="#">688--14548--00</a> Pin, arm	<a href="#">Buy now</a>

# Carburetor

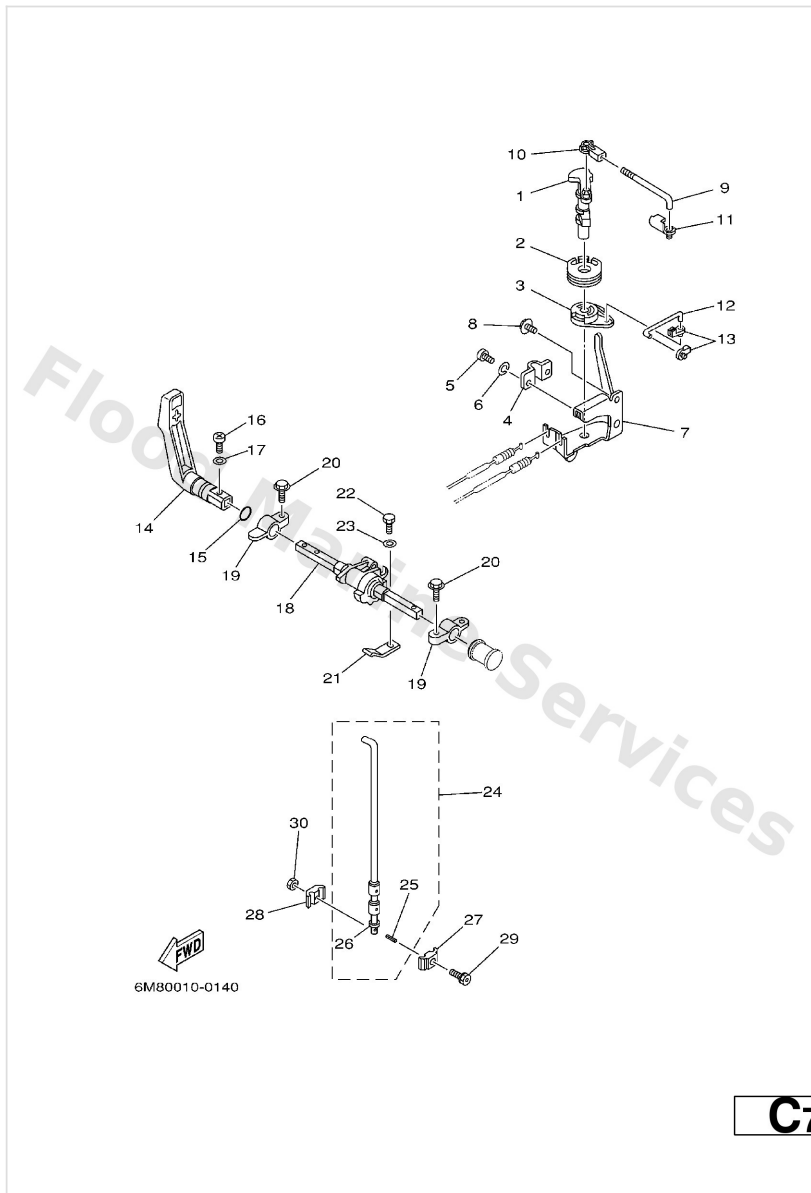


6M80010-4050

**B2**

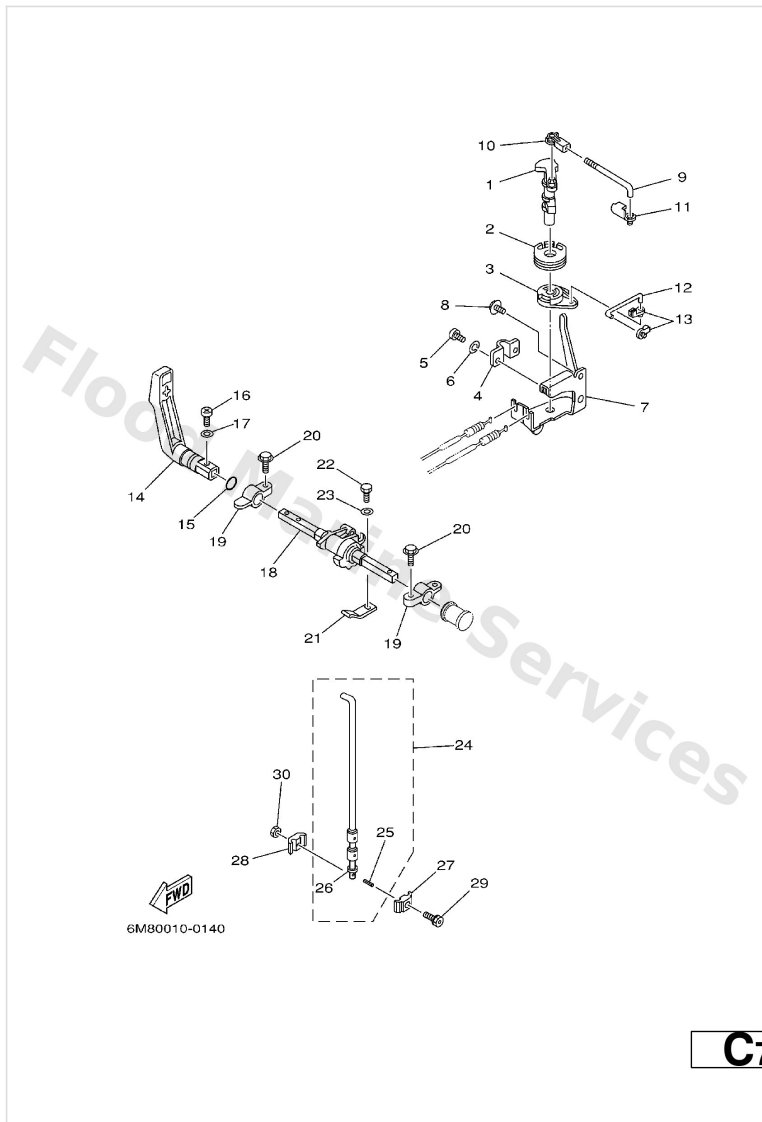
Ref	Part	
26	<a href="#">9858003006</a> Screw, pan head(78g)	<a href="#">Buy now</a>
27	<a href="#">95380--03600</a> Nut (6g8)	<a href="#">Buy now</a>
28	<a href="#">97980--04125</a> Screw, with washer	<a href="#">Buy now</a>
29	<a href="#">6G1--24452--00</a> Cover, pump	<a href="#">Buy now</a>
30	<a href="#">6G1--24432--00</a> Packing	<a href="#">Buy now</a>
31	<a href="#">6G1--24471--00</a> Diaphragm	<a href="#">Buy now</a>
32	<a href="#">6G1--24412--01</a> Body 1	<a href="#">Buy now</a>
33	<a href="#">6G1--24411--00</a> Diaphragm	<a href="#">Buy now</a>
34	<a href="#">6G1--24431--01</a> Gasket, fuel pump 1	<a href="#">Buy now</a>
35	<a href="#">6G1--24421--00</a> Valve, check	<a href="#">Buy now</a>

# Control



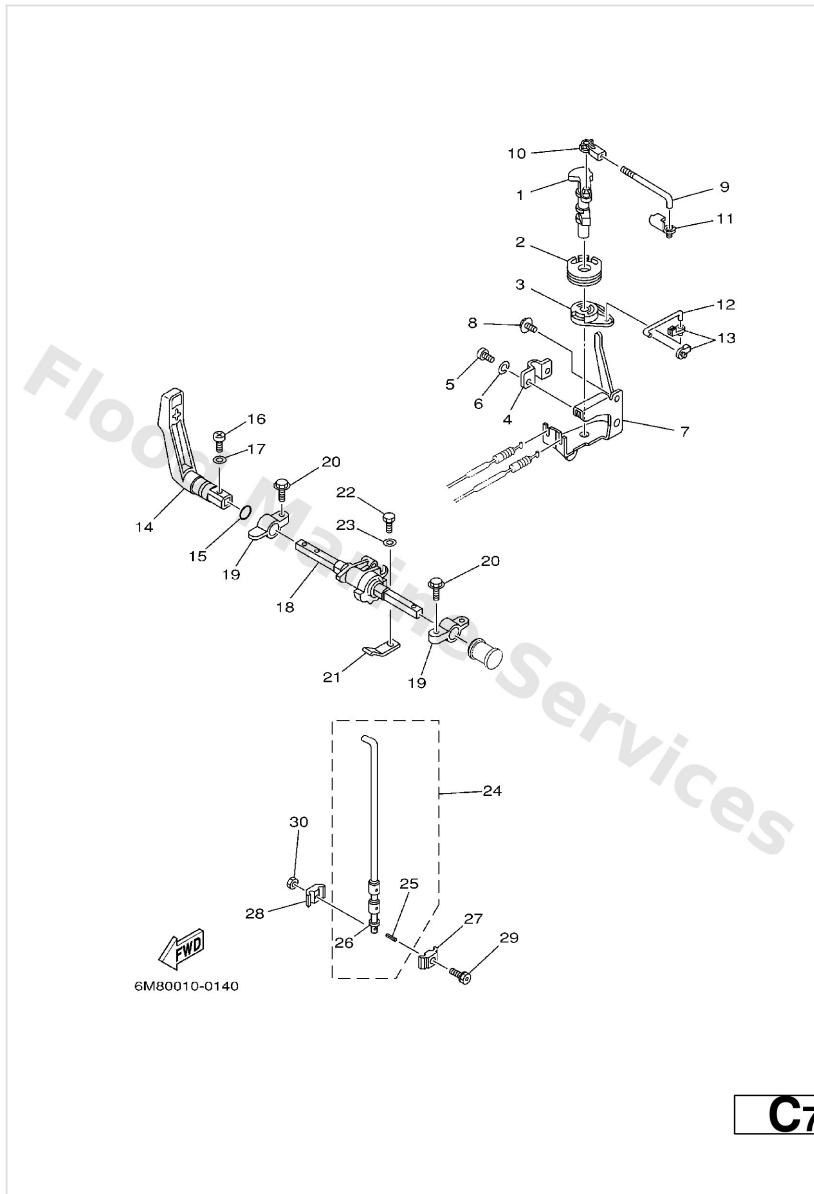
Ref	Part	
1	<a href="#">6G1--41631--00</a> Lever, magneto control	<a href="#">Buy now</a>
2	<a href="#">6G1--41638--00</a> Pulley	<a href="#">Buy now</a>
3	<a href="#">6G1--41283--01</a> Lever, free accel 1	<a href="#">Buy now</a>
4	<a href="#">6G1--41661--00</a> Bracket 1	<a href="#">Buy now</a>
5	<a href="#">97880--05010</a> Screw, pan head(62x)	<a href="#">Buy now</a>
6	<a href="#">92990--05100</a> Ybs67-5 washer, spring	<a href="#">Buy now</a>
7	<a href="#">6G11449780</a> Stay, throttle wire	<a href="#">Buy now</a>
8	<a href="#">95895--06010</a> Bolt, flange(7ht)	<a href="#">Buy now</a>
9	<a href="#">6G1--41238--00</a> Joint, link	<a href="#">Buy now</a>
10	<a href="#">662--41237--01</a> Joint, link	<a href="#">Buy now</a>
11	<a href="#">6E9--41237--00</a> Joint, link	<a href="#">Buy now</a>
12	<a href="#">6G1--41211--00</a> Link, accel	<a href="#">Buy now</a>
13	<a href="#">661--41262--02</a> Joint, choke lever	<a href="#">Buy now</a>
14	<a href="#">6N0--G4111--00</a> Handle, gear shift	<a href="#">Buy now</a>
15	<a href="#">93210--12327</a> O-ring(3ld)	<a href="#">Buy now</a>

# Control



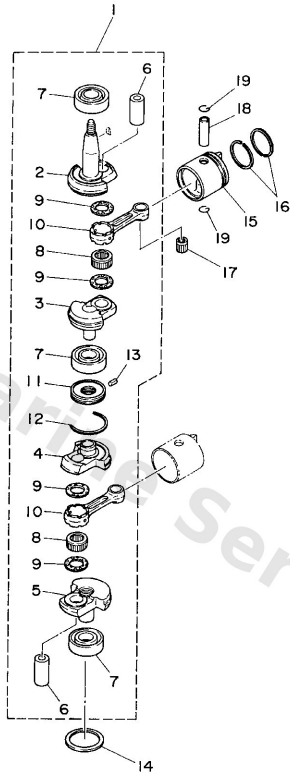
Ref	Part	
16	<a href="#">97880--05016</a> Screw, pan head(6b0)	<a href="#">Buy now</a>
17	<a href="#">92990--05600</a> Washer, plain (646)	<a href="#">Buy now</a>
18	<a href="#">6G1--44121--02--94</a> Lever, shift rod	<a href="#">Buy now</a>
19	<a href="#">6G1--41662--01--94</a> Bracket	<a href="#">Buy now</a>
20	<a href="#">90105--06M14</a> Bolt (6e0)	<a href="#">Buy now</a>
21	<a href="#">6G1--44116--01</a> Spring	<a href="#">Buy now</a>
22	<a href="#">97095--06012</a> Bolt(gh1)	<a href="#">Buy now</a>
23	<a href="#">92995--06600</a> Washer, plain (646)	<a href="#">Buy now</a>
24	<a href="#">6N0--G4110--00</a> Shift rod assembly	<a href="#">Buy now</a>
25	<a href="#">91690--20010</a> Pin, spring	<a href="#">Buy now</a>
27	<a href="#">6N0--G4145--00</a> Connector, shift rod 1 UR	<a href="#">Buy now</a>
27	<a href="#">6N0--G4145--10</a> Connector 1 UR	<a href="#">Buy now</a>
28	<a href="#">6N0--G4146--00</a> Connector 2 UR	<a href="#">Buy now</a>
28	<a href="#">6N0--G4146--10</a> Connector 2 UR	<a href="#">Buy now</a>
29	<a href="#">90109--06M17</a> Bolt (6g1)	<a href="#">Buy now</a>

# Control



Ref	Part	
30	<a href="#">95380--06600</a> Nut(661)	<a href="#">Buy now</a>

# Crankshaft. Piston

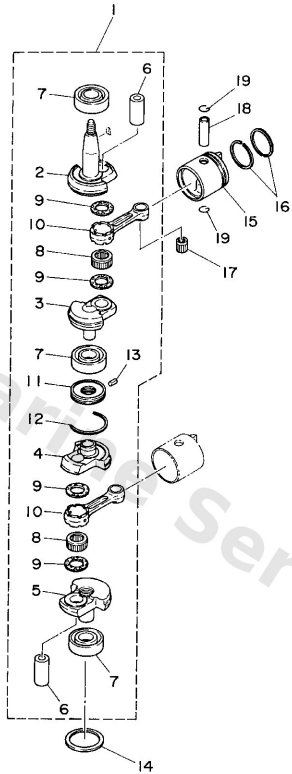


FWD  
6M80010-4030

**A7**

Ref	Part	
1	<a href="#">6N0--E1400--00</a> Crankshaft assembly	<a href="#">Buy now</a>
2	<a href="#">6N0--E1412--00</a> Crank 1	<a href="#">Buy now</a>
3	<a href="#">6N0--E1422--00</a> Crank 2	<a href="#">Buy now</a>
4	<a href="#">6N0--E1432--00</a> Crank 3	<a href="#">Buy now</a>
5	<a href="#">6N0--E1442--00</a> Crank 4	<a href="#">Buy now</a>
6	<a href="#">6G1--11681--00</a> Pin, crank	<a href="#">Buy now</a>
7	<a href="#">93306--204U0</a> Bearing(6e0)	<a href="#">Buy now</a>
8	<a href="#">93310--418V1</a> Bearing (6e0)	<a href="#">Buy now</a>
9	<a href="#">90209--18112</a> Washer 132116850000	<a href="#">Buy now</a>
10	<a href="#">6N0--E1651--00</a> Rod connecting	<a href="#">Buy now</a>
11	<a href="#">6N0--E1515--00</a> Seal, labyrinth 1	<a href="#">Buy now</a>
12	<a href="#">93440--47055</a> Cir clip (655)	<a href="#">Buy now</a>
13	<a href="#">91609--20008</a> Pin, spring	<a href="#">Buy now</a>
14	<a href="#">90201--41303</a> Washer, plate	<a href="#">Buy now</a>
15	<a href="#">6G1116310098</a> Piston (std)	<a href="#">Buy now</a>

# Crankshaft. Piston



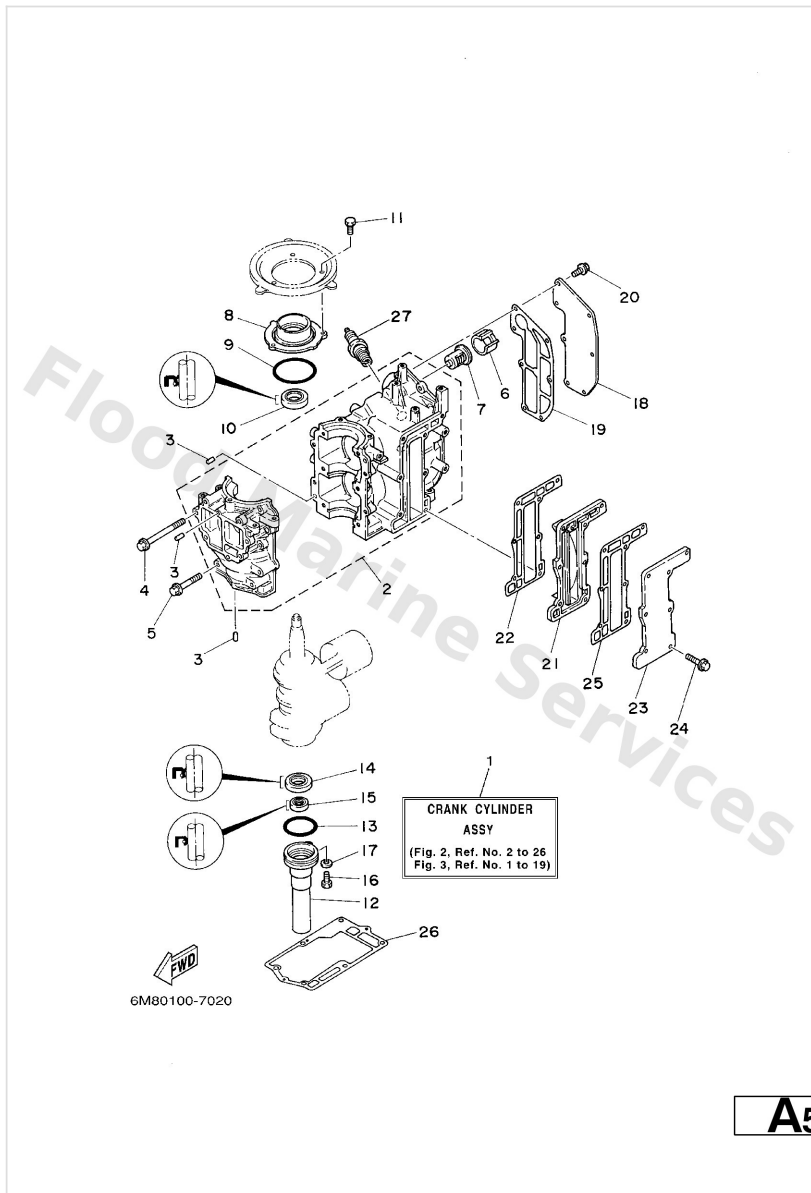
  
6M80010-4030

**A7**

Ref	Part	
16	<a href="#">6G1--11610--00</a> Piston ring set (std)	<a href="#">Buy now</a>
17	<a href="#">93310--112V0</a> Bearing (6e0)	<a href="#">Buy now</a>
18	<a href="#">6G1--11633--00</a> Pin, piston	<a href="#">Buy now</a>
19	<a href="#">93450--13022</a> Circlip 132116340000	<a href="#">Buy now</a>

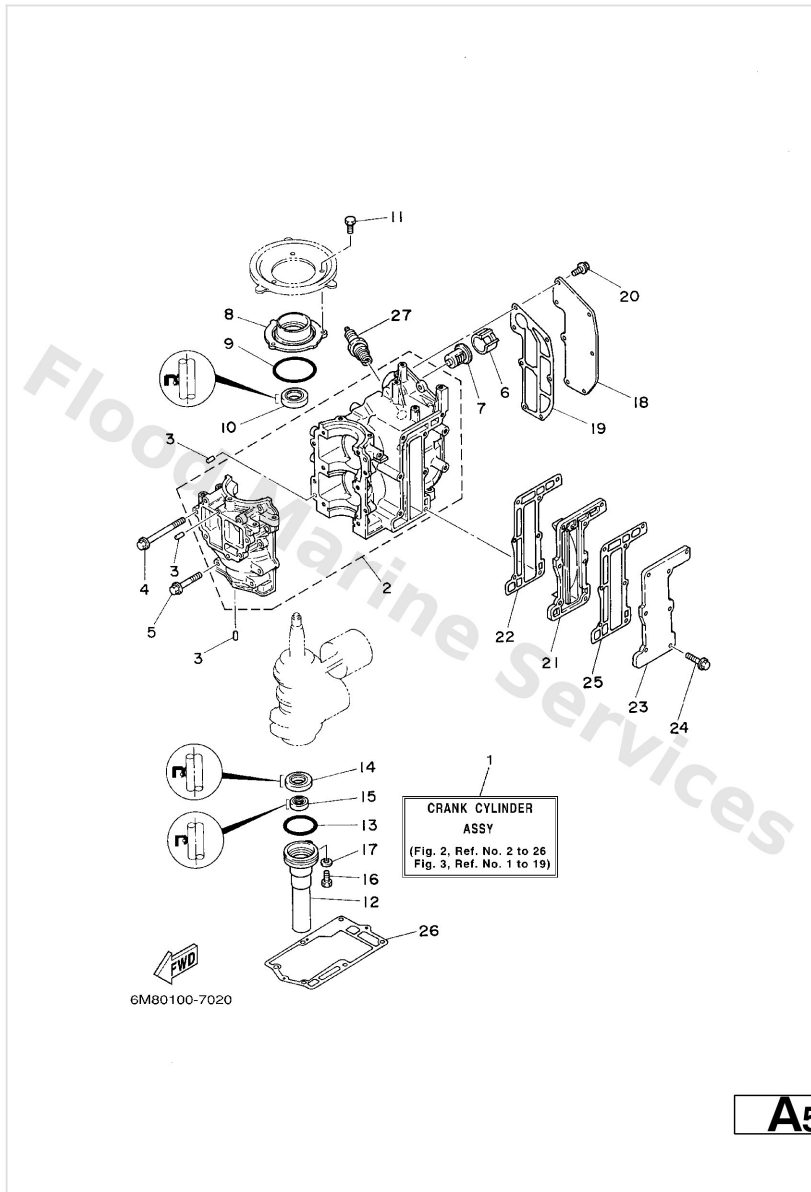


# Cylinder. Crankcase



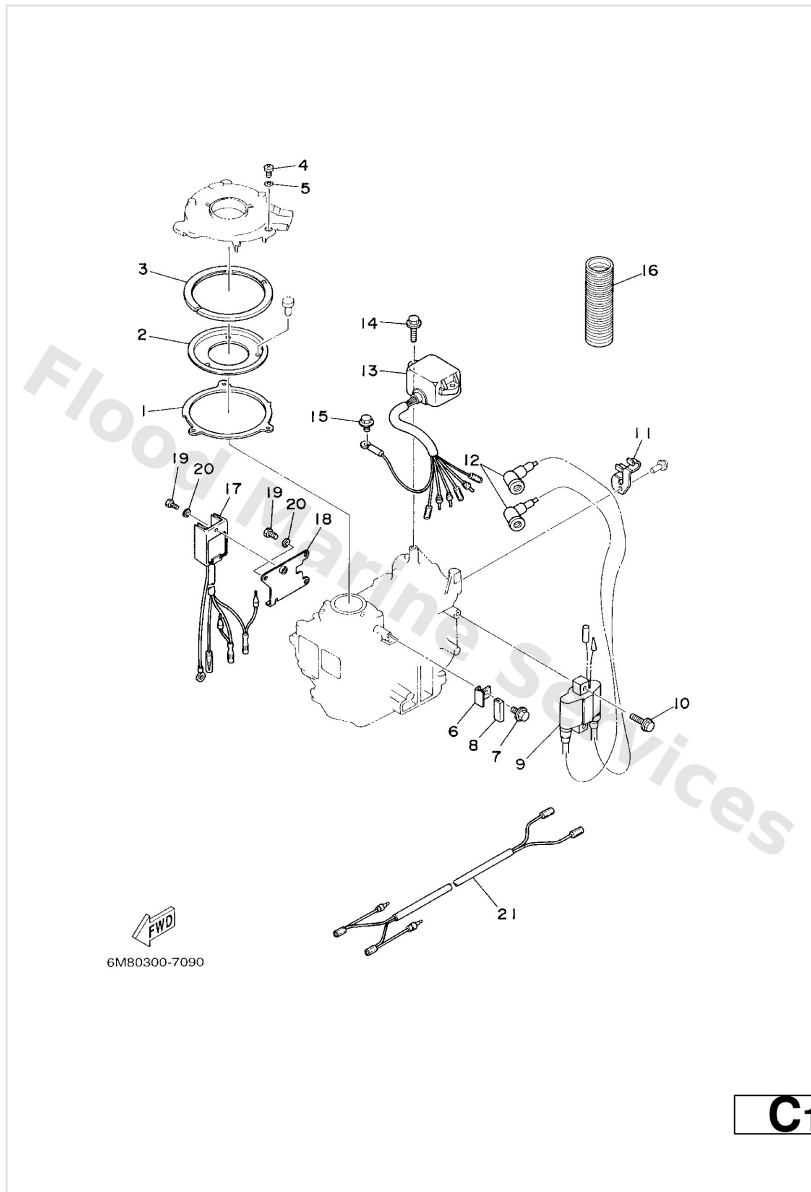
Ref	Part	
3	<a href="#">93604--08062</a> Pin,dowel (626)	<a href="#">Buy now</a>
4	<a href="#">90105--06M26</a> Bolt (6g1)	<a href="#">Buy now</a>
5	<a href="#">90105--06M25</a> Bolt (6g1)	<a href="#">Buy now</a>
6	<a href="#">90387--22M50</a> Collar (6g1)	<a href="#">Buy now</a>
7	<a href="#">6E5--12411--01</a> Thermostat	<a href="#">Buy now</a>
9	<a href="#">93210--54M54</a> O-ring (6g1)	<a href="#">Buy now</a>
10	<a href="#">93102--20M25</a> Oil seal (6e0)	<a href="#">Buy now</a>
11	<a href="#">97013--06016</a> Bolt, hexagon deep recess	<a href="#">Buy now</a>
13	<a href="#">93210--42159</a> O-ring (647)	<a href="#">Buy now</a>
14	<a href="#">93101--20M34</a> Oil seal(6j1)	<a href="#">Buy now</a>
15	<a href="#">93101--12M26</a> Oil seal(6g1)	<a href="#">Buy now</a>
16	<a href="#">97095--06016</a> Bolt, hexagon deep recess	<a href="#">Buy now</a>
17	<a href="#">92995--06600</a> Washer, plain (646)	<a href="#">Buy now</a>
19	<a href="#">6G1--11193--A1</a> Gasket, head cover 1	<a href="#">Buy now</a>
20	<a href="#">90105--06M14</a> Bolt (6e0)	<a href="#">Buy now</a>

# Cylinder. Crankcase



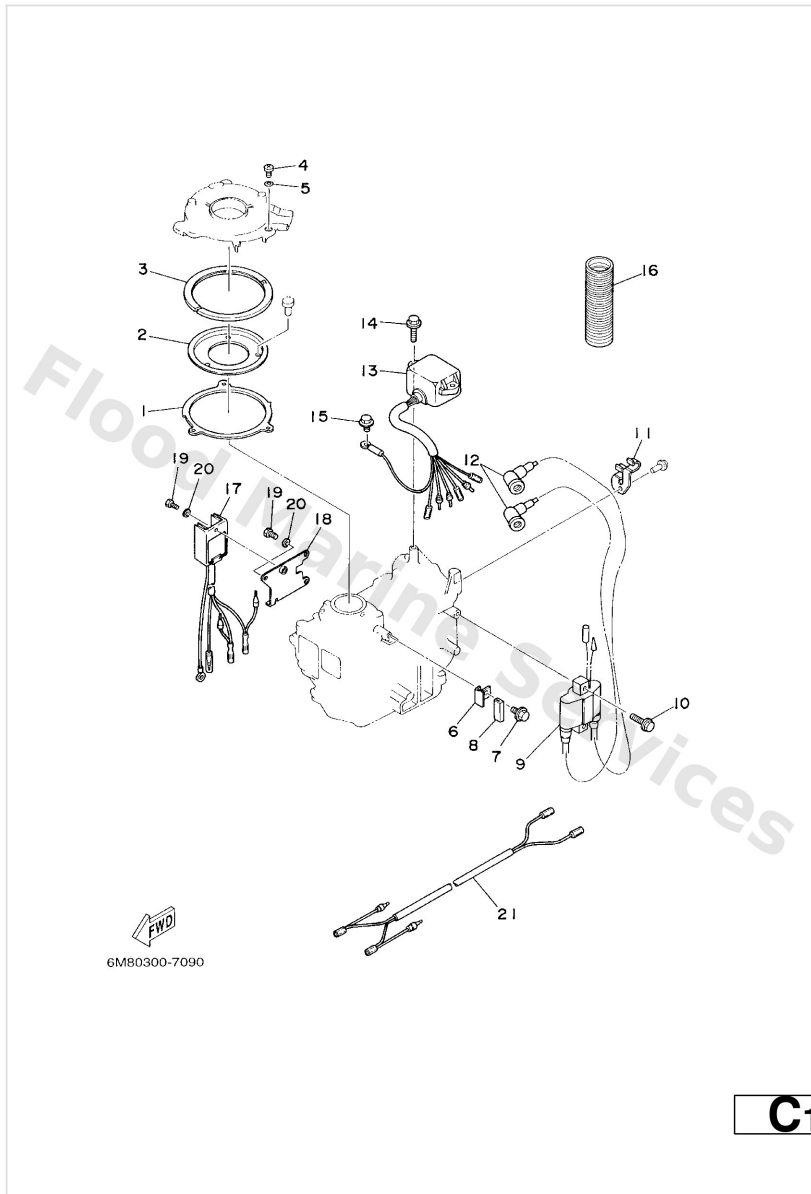
Ref	Part	
22	<a href="#">6G1--41112--A1</a> Gasket, exhaust inner cover	<a href="#">Buy now</a>
24	<a href="#">90105--06M24</a> Bolt (6g1)	<a href="#">Buy now</a>
25	<a href="#">6G1--41114--A0</a> Gasket, exhaust outer cover	<a href="#">Buy now</a>
26	<a href="#">6G1--45113--A1</a> Gasket, upper casing	<a href="#">Buy now</a>
27	<a href="#">94702--00271</a> Plug, spark (br7hs-10) 6C,8C	<a href="#">Buy now</a>
27	<a href="#">94702--00274</a> Plug, spark (br6hs-10) 6D	<a href="#">Buy now</a>

# Electrical 1



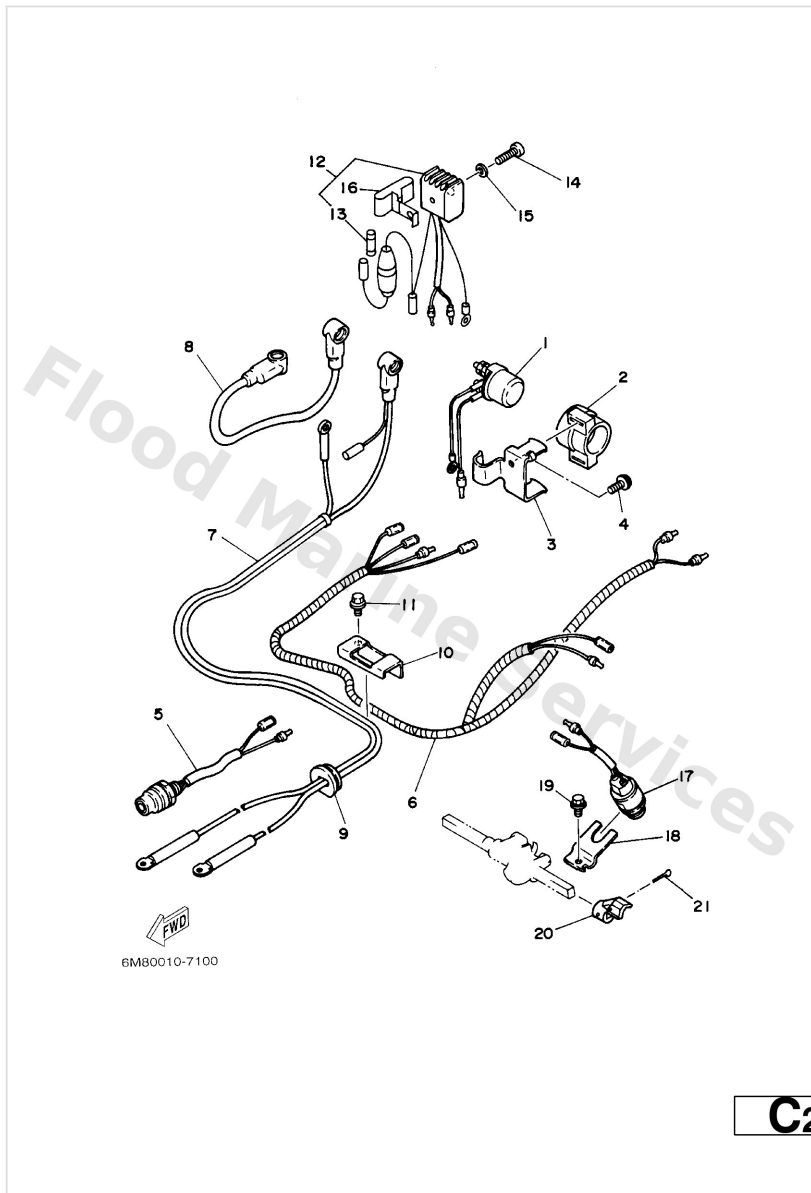
Ref	Part	
1	<a href="#">6N0--G1611--00</a> Retainer, magneto base 1	<a href="#">Buy now</a>
2	<a href="#">6G1--41612--00</a> Retainer, magneto base	<a href="#">Buy now</a>
3	<a href="#">6N0--G1613--00</a> Plate, base friction	<a href="#">Buy now</a>
4	<a href="#">97885--05010</a> Screw, pan head(62x)	<a href="#">Buy now</a>
5	<a href="#">92995--05600</a> Washer, plain (646)	<a href="#">Buy now</a>
6	<a href="#">6G14161500</a> Stopper, magneto base	<a href="#">Buy now</a>
7	<a href="#">95895--06010</a> Bolt, flange(7ht)	<a href="#">Buy now</a>
8	<a href="#">6G1--44194--00</a> Cap	<a href="#">Buy now</a>
9	<a href="#">6G18557001</a> Ignition coil assembly	<a href="#">Buy now</a>
10	<a href="#">95895--06025</a> Bolt, flange deep recess	<a href="#">Buy now</a>
11	<a href="#">9046508M17</a> Clamp (6G1)	<a href="#">Buy now</a>
12	<a href="#">6G1--82370--21</a> Plug cap assembly	<a href="#">Buy now</a>
13	<a href="#">6968554011</a> C.d.i. unit assembly	<a href="#">Buy now</a>
14	<a href="#">95895--06020</a> Bolt, flange(jk3)	<a href="#">Buy now</a>
16	<a href="#">6G1--83557--00</a> Tube	<a href="#">Buy now</a>

# Electrical 1



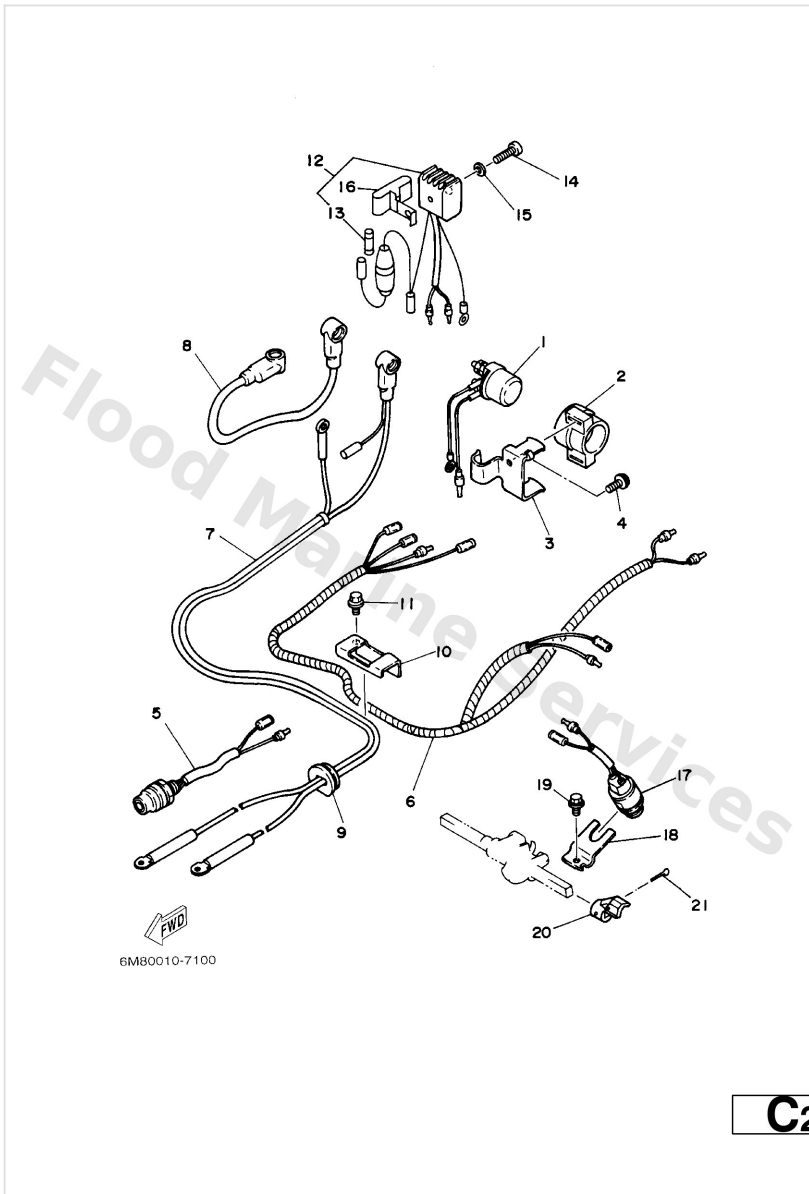
Ref	Part	
17	<a href="#">6J8--81960--00</a> Rectifier & regulator assembly	<a href="#">Buy now</a>
18	<a href="#">6N0--H1915--00</a> Plate, regulator fitting	<a href="#">Buy now</a>
19	<a href="#">97095--06012</a> Bolt(gh1)	<a href="#">Buy now</a>
20	<a href="#">92995--06600</a> Washer, plain (646)	<a href="#">Buy now</a>
21	<a href="#">6N0--H2553--10</a> Extension, wire lead	<a href="#">Buy now</a>

## Electrical 2



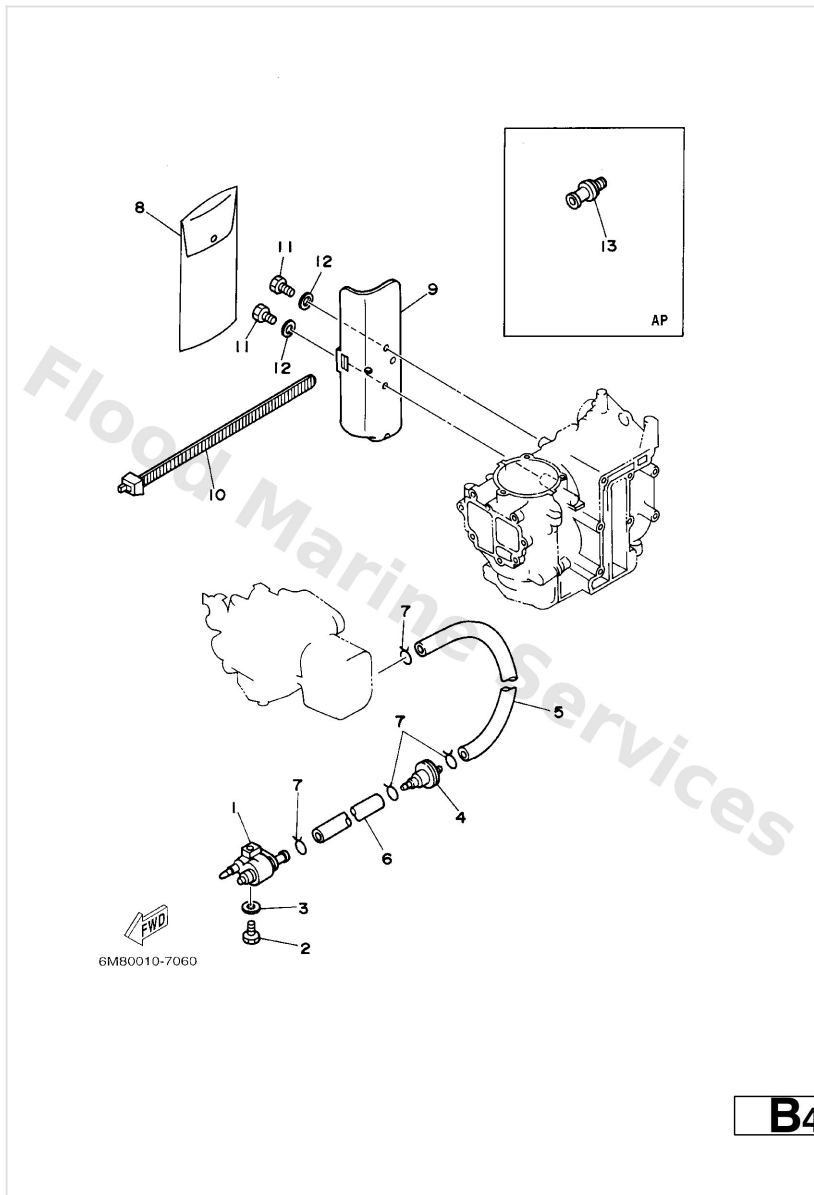
Ref	Part	
1	<a href="#">6G1--81941--10</a> Starter relay	<a href="#">Buy now</a>
2	<a href="#">6G1--81952--00</a> Holder, relay	<a href="#">Buy now</a>
3	<a href="#">6G18194500</a> Plate, Switch Fitting	<a href="#">Buy now</a>
4	<a href="#">95895--06016</a> Bolt, flange deep recess	<a href="#">Buy now</a>
5	<a href="#">689--81870--00</a> Starting switch assembly	<a href="#">Buy now</a>
6	<a href="#">6G18259000</a> Wire Harness assembly	<a href="#">Buy now</a>
7	<a href="#">6G18210501</a> Battery cable	<a href="#">Buy now</a>
8	<a href="#">6G18211700</a> Wire, lead	<a href="#">Buy now</a>
9	<a href="#">6824272440</a> Grommet 1	<a href="#">Buy now</a>
10	<a href="#">6G18236200</a> Clamp Cord	<a href="#">Buy now</a>
11	<a href="#">95895--06010</a> Bolt, flange(7ht)	<a href="#">Buy now</a>
12	<a href="#">6G1--81970--61</a> Rectifier assembly	<a href="#">Buy now</a>
13	<a href="#">6G1--82151--00</a> Fuse (10a)	<a href="#">Buy now</a>
14	<a href="#">97880--05025</a> Screw, panhead (a93)	<a href="#">Buy now</a>
15	<a href="#">92990--05600</a> Washer, plain (646)	<a href="#">Buy now</a>

## Electrical 2



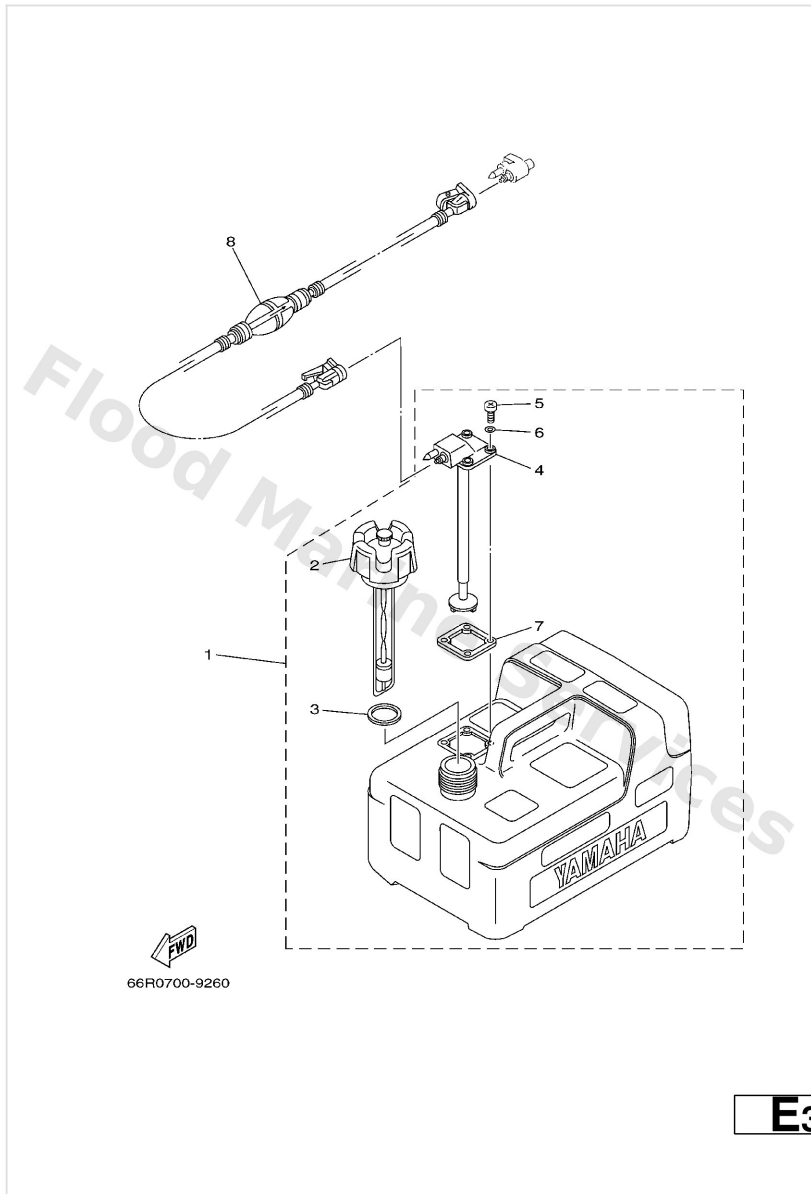
Ref	Part	
16	<a href="#">9046508M19</a> Clamp	<a href="#">Buy now</a>
17	<a href="#">6F5--82540--00</a> Neutral switch assembly	<a href="#">Buy now</a>
18	<a href="#">6G18255400</a> Stay Neutral Switch	<a href="#">Buy now</a>
20	<a href="#">6G14412500</a> Lever Shift Rod 2	<a href="#">Buy now</a>
21	<a href="#">9149025020</a> Pin, cotter	<a href="#">Buy now</a>

# Fuel



Ref	Part	
1	<a href="#">6G1--24304--02</a> Fuel pipe joint comp. 1	<a href="#">Buy now</a>
2	<a href="#">97095--06025</a> Bolt	<a href="#">Buy now</a>
3	<a href="#">92995--06600</a> Washer, plain (646)	<a href="#">Buy now</a>
4	<a href="#">646--24251--02</a> Strainer 1	<a href="#">Buy now</a>
5	<a href="#">90445--09221</a> Hose (I1500)	<a href="#">Buy now</a>
6	<a href="#">90445--09220</a> Hose (I1500)	<a href="#">Buy now</a>
7	<a href="#">90467--08004</a> Clip, pipe 6162435600	<a href="#">Buy now</a>
8	<a href="#">6N0--F8100--00</a> Tool kit	<a href="#">Buy now</a>
9	<a href="#">6N0F817000</a> Holder, Tool	<a href="#">Buy now</a>
10	<a href="#">6G1--2811G--00</a> Band	<a href="#">Buy now</a>
11	<a href="#">97095--06012</a> Bolt(gh1)	<a href="#">Buy now</a>
13	<a href="#">6L8--F8193--00</a> Plug, water check AP	<a href="#">Buy now</a>

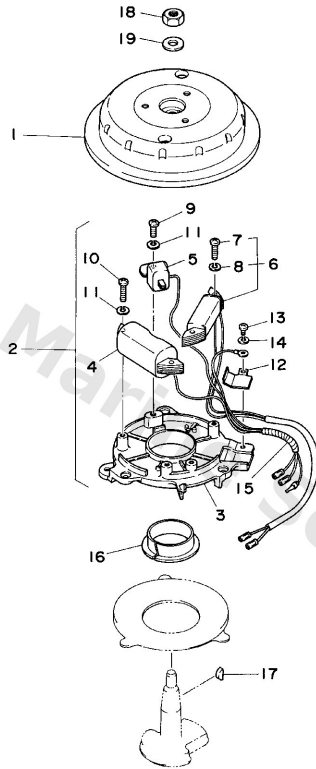
# Fuel Tank



Ref	Part	
1	<a href="#">6YLF420102</a> Fuel Tank assembly AP	<a href="#">Buy now</a>
2	<a href="#">6YLF461000</a> Cap assembly	<a href="#">Buy now</a>
3	<a href="#">6YLF464100</a> Gasket, cap 1	<a href="#">Buy now</a>
4	<a href="#">6YLF426001</a> Fuel meter assembly	<a href="#">Buy now</a>
5	<a href="#">9015705811</a> Screw, pan head	<a href="#">Buy now</a>
6	<a href="#">6YLF432900</a> Seal	<a href="#">Buy now</a>
7	<a href="#">6YLF426801</a> Gasket, fuel meter	<a href="#">Buy now</a>
8	<a href="#">6YL--24306--52</a> Fuel pipe comp. 1 AP	<a href="#">Buy now</a>



# Generator

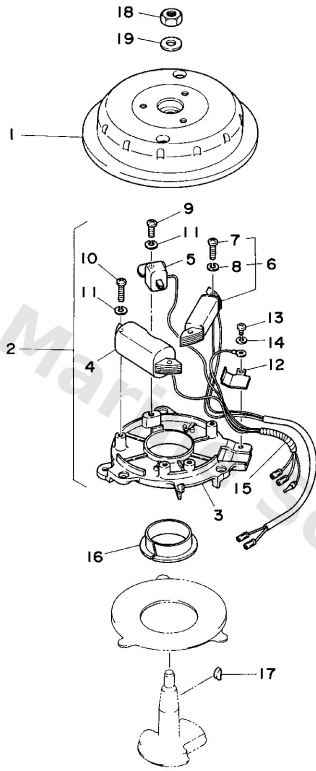


  
6M80010-4080

**B7**

Ref	Part	
1	<a href="#">6G1--85550--71</a> Rotor assembly	<a href="#">Buy now</a>
1	<a href="#">6G185550A0</a> Rotor assembly	<a href="#">Buy now</a>
2	<a href="#">6G1--85560--F0</a> Base ass'y	<a href="#">Buy now</a>
3	<a href="#">6G1--85509--70</a> Base, magneto	<a href="#">Buy now</a>
4	<a href="#">6E7--85520--70</a> Coil assembly	<a href="#">Buy now</a>
5	<a href="#">6E7--85580--70</a> Pulser coil ass'y	<a href="#">Buy now</a>
6	<a href="#">6E7--81303--A0</a> Lighting coil ass'y	<a href="#">Buy now</a>
7	<a href="#">97802--05025</a> Screw, panhead (a93)	<a href="#">Buy now</a>
8	<a href="#">92902--05100</a> Ybs67-5 washer, spring	<a href="#">Buy now</a>
9	<a href="#">97802--05016</a> Screw, pan head(6b0)	<a href="#">Buy now</a>
10	<a href="#">97802--05020</a> Screw, pan head	<a href="#">Buy now</a>
12	<a href="#">6G1--85548--70</a> Cord, clamp	<a href="#">Buy now</a>
13	<a href="#">97802--04008</a> Screw, pan head (713)	<a href="#">Buy now</a>
14	<a href="#">92902--04100</a> Ybs67-4 washer, spring	<a href="#">Buy now</a>
15	<a href="#">6G1--85515--70</a> Wire, lead	<a href="#">Buy now</a>

# Generator

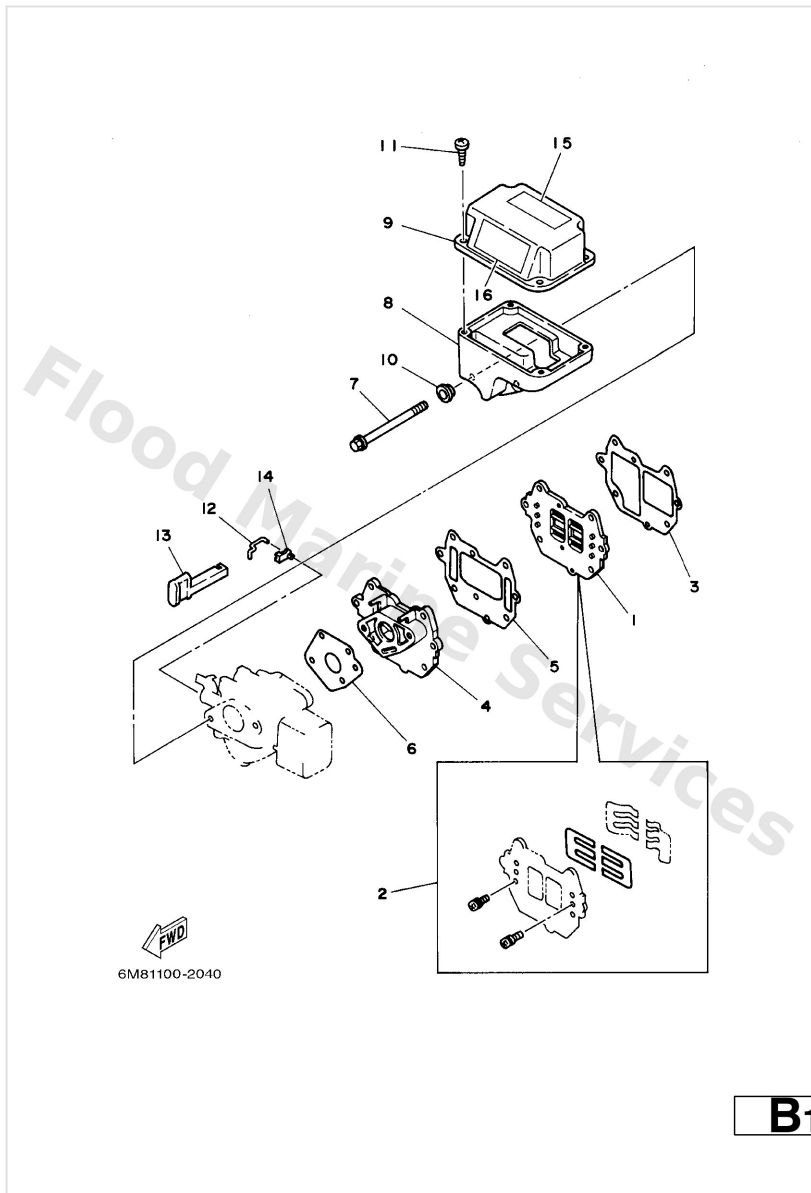


  
6M80010-4080

**B7**

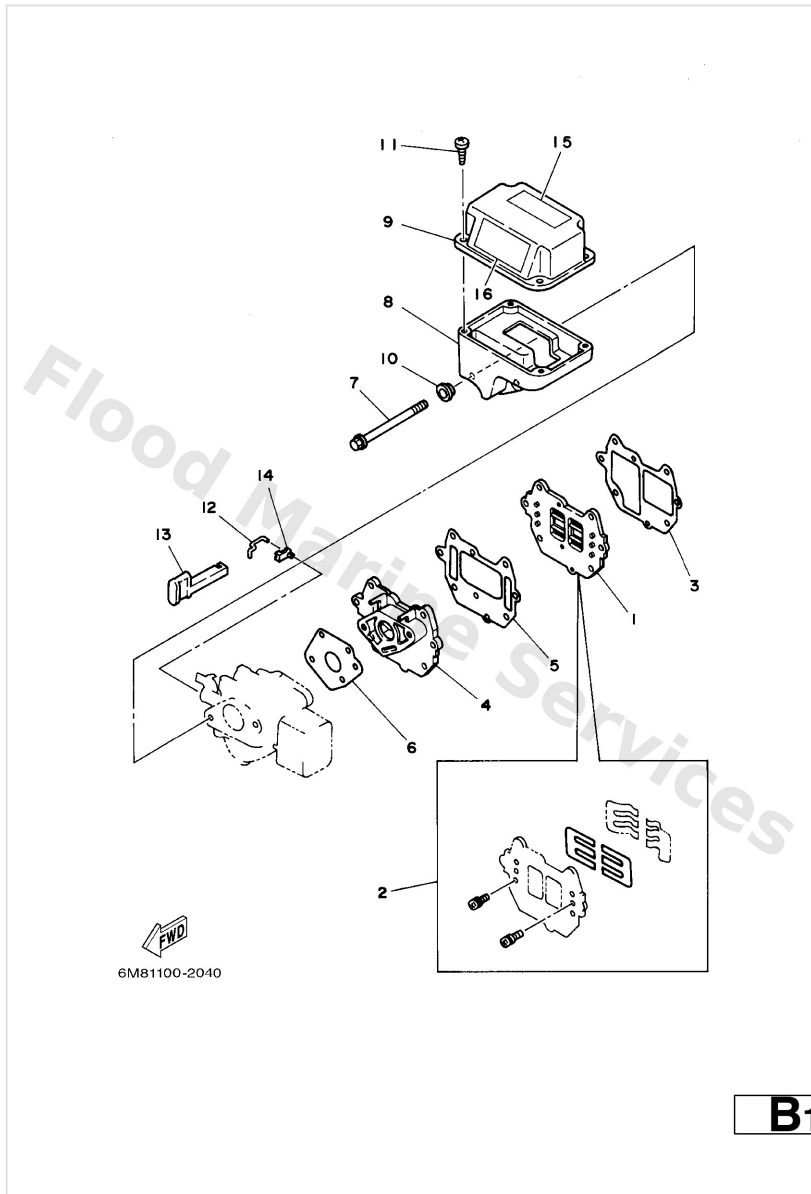
Ref	Part	
16	<a href="#">90386--44M42</a> Bushing (6g1)	<a href="#">Buy now</a>
17	<a href="#">90280--04M06</a> Key, woodruff(6a1)	<a href="#">Buy now</a>
18	<a href="#">90170--10113</a> Nut, crank shaft (650)	<a href="#">Buy now</a>
19	<a href="#">90201--10126</a> Washer, plate (26h)	<a href="#">Buy now</a>

# Intake



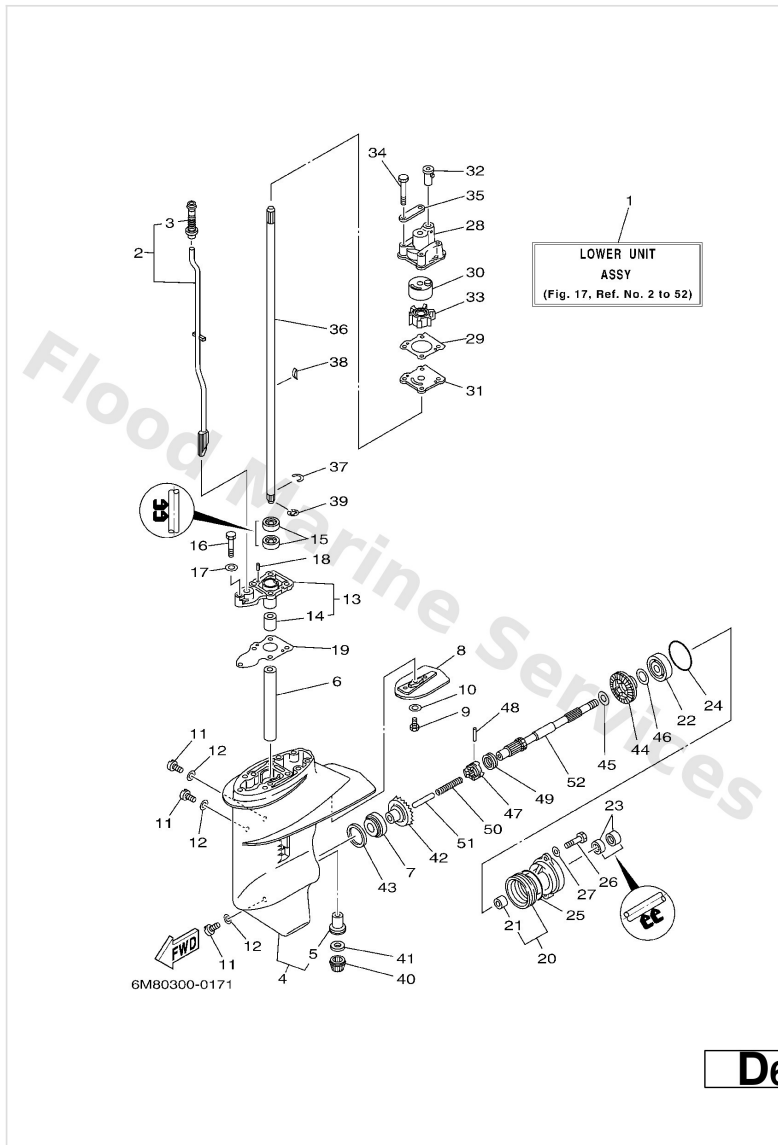
Ref	Part	
1	<a href="#">6G1--13610--01</a> Reed valve assembly	<a href="#">Buy now</a>
2	<a href="#">6G1--W0004--00</a> Reed set	<a href="#">Buy now</a>
3	<a href="#">6G1--13621--A1</a> Gasket, valve seat	<a href="#">Buy now</a>
4	<a href="#">6N0--E3641--00--94</a> Manifold, intake 1	<a href="#">Buy now</a>
5	<a href="#">6G1--13645--A1</a> Gasket, intake manifold	<a href="#">Buy now</a>
6	<a href="#">6G1--14198--A1</a> Gasket	<a href="#">Buy now</a>
7	<a href="#">95895--06085</a> Bolt, flange(6g1)	<a href="#">Buy now</a>
8	<a href="#">6M8--E4417--00</a> Cover set	<a href="#">Buy now</a>
9	<a href="#">6M8--E4418--00</a> Cover 2	<a href="#">Buy now</a>
10	<a href="#">90387--06M70</a> Collar (6h5)	<a href="#">Buy now</a>
11	<a href="#">97780--50514</a> Screw, panhead tapping (682)	<a href="#">Buy now</a>
12	<a href="#">6G1--41256--00</a> Rod, choke link	<a href="#">Buy now</a>
13	<a href="#">6G1--41271--00</a> Knob, choke 1	<a href="#">Buy now</a>
14	<a href="#">661--41262--02</a> Joint, choke lever	<a href="#">Buy now</a>
15	<a href="#">6A1--83625--41</a> Mark 5	<a href="#">Buy now</a>

# Intake



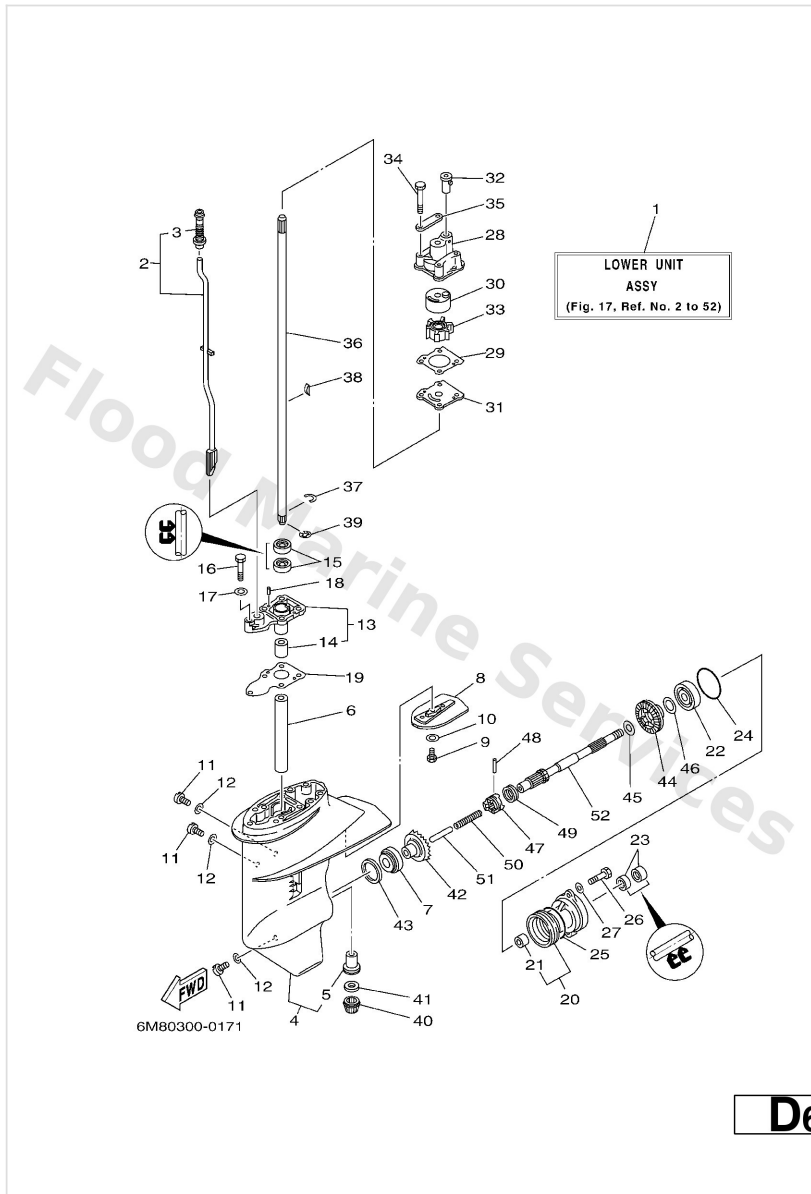
Ref	Part	
16	<a href="#">6A1-83625-51</a> Mark 5	<a href="#">Buy now</a>

# Lower Casing. Drive 1



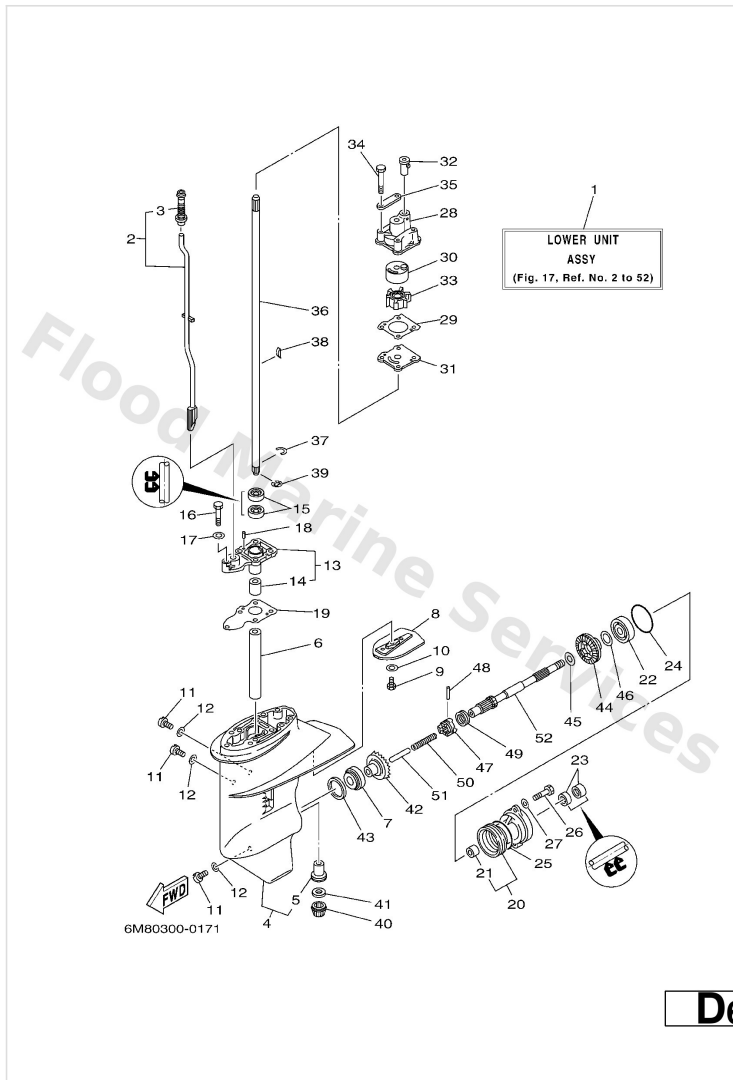
Ref	Part	
2	<a href="#">6N0--G4150--00</a> Shift cam assembly S	<a href="#">Buy now</a>
2	<a href="#">6N0--G4150--10</a> Shift cam assembly L	<a href="#">Buy now</a>
2	<a href="#">6N0G415020</a> Shift Cam assembly X	<a href="#">Buy now</a>
3	<a href="#">6G1--44147--00</a> Boot, shift rod	<a href="#">Buy now</a>
5	<a href="#">6G1--45317--09</a> Bushing, drive shaft 2	<a href="#">Buy now</a>
6	<a href="#">90387--14M49</a> Collar (6g1)	<a href="#">Buy now</a>
7	<a href="#">93332--000U4</a> Brg,tapered roller 42mm (689)	<a href="#">Buy now</a>
8	<a href="#">6N0--G5251--00</a> Anode	<a href="#">Buy now</a>
9	<a href="#">97095--06016</a> Bolt, hexagon deep recess	<a href="#">Buy now</a>
10	<a href="#">92990--06300</a> Washer, tooth	<a href="#">Buy now</a>
11	<a href="#">90340--08002</a> Plug, straight screw	<a href="#">Buy now</a>
12	<a href="#">90430--08020</a> Gasket	<a href="#">Buy now</a>
14	<a href="#">6G1--45316--09</a> Bushing, drive shaft 1	<a href="#">Buy now</a>
15	<a href="#">93101--11M23</a> Oil seal (6g1)	<a href="#">Buy now</a>
16	<a href="#">97095--06030</a> Bolt(jf7)	<a href="#">Buy now</a>

# Lower Casing. Drive 1



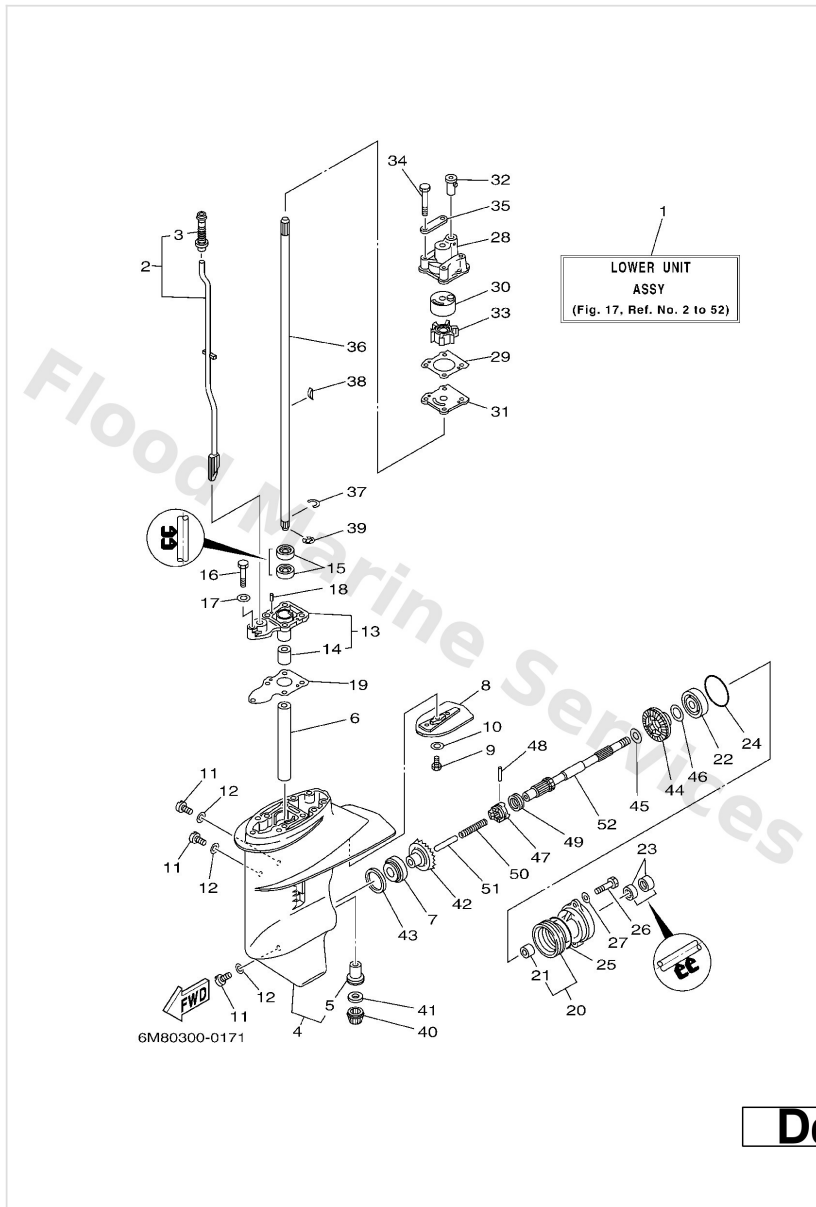
Ref	Part	
17	<a href="#">92995--06600</a> Washer, plain (646)	<a href="#">Buy now</a>
18	<a href="#">93604--08062</a> Pin,dowel (626)	<a href="#">Buy now</a>
19	<a href="#">6G1--45315--A0</a> Packing, lower casing	<a href="#">Buy now</a>
21	<a href="#">6G1--45362--09</a> Bushing, lower casing cap	<a href="#">Buy now</a>
22	<a href="#">93306--004U0</a> Bearing (7k2)	<a href="#">Buy now</a>
23	<a href="#">93101--15074</a> Oil seal (655)	<a href="#">Buy now</a>
24	<a href="#">93210--49046</a> O-ring (620)	<a href="#">Buy now</a>
25	<a href="#">93210--53M08</a> O-ring(50m)	<a href="#">Buy now</a>
28	<a href="#">6N0--G4311--00</a> Housing, water pump	<a href="#">Buy now</a>
29	<a href="#">6G1--44315--A0</a> Gasket,water pump	<a href="#">Buy now</a>
30	<a href="#">6G1--44322--00</a> Insert, cartridge	<a href="#">Buy now</a>
31	<a href="#">6G1--44323--00</a> Outer plate, cartridge	<a href="#">Buy now</a>
32	<a href="#">647--44366--00</a> Damper, water seal 2	<a href="#">Buy now</a>
33	<a href="#">6G1--44352--00</a> Impeller	<a href="#">Buy now</a>
34	<a href="#">97095--06045</a> Bolt, hexagon	<a href="#">Buy now</a>

# Lower Casing. Drive 1



Ref	Part	
35	<a href="#">6G1--44328--00</a> Plate	<a href="#">Buy now</a>
36	<a href="#">6N0--G5511--00</a> Shaft, drive S	<a href="#">Buy now</a>
36	<a href="#">6N0--G5511--10</a> Shaft, drive L	<a href="#">Buy now</a>
36	<a href="#">6N0G551120</a> Shaft, Drive X	<a href="#">Buy now</a>
37	<a href="#">9Q467--09M05</a> Clip (6g1)	<a href="#">Buy now</a>
38	<a href="#">9Q280--03024</a> Key, woodruff(662)	<a href="#">Buy now</a>
39	<a href="#">99001--06600</a> Circlip(53l)	<a href="#">Buy now</a>
40	<a href="#">6N0--G5551--00</a> Pinion	<a href="#">Buy now</a>
41	<a href="#">6G1--45533--00--19</a> Shim (t:1.9mm) UR	<a href="#">Buy now</a>
41	<a href="#">6G1--45533--00--20</a> Shim (t:2.0mm) UR	<a href="#">Buy now</a>
41	<a href="#">6G1--45533--00--21</a> Shim (t:2.1mm) UR	<a href="#">Buy now</a>
41	<a href="#">6G1--45533--00--22</a> Shim (t:2.2mm) UR	<a href="#">Buy now</a>
42	<a href="#">6N0--G5560--00</a> Gear 1 (27t)	<a href="#">Buy now</a>
43	<a href="#">664--45587--01--10</a> Shim (t:0.10mm) UR	<a href="#">Buy now</a>
43	<a href="#">664--45587--01--12</a> Shim (t:0.12mm) UR	<a href="#">Buy now</a>

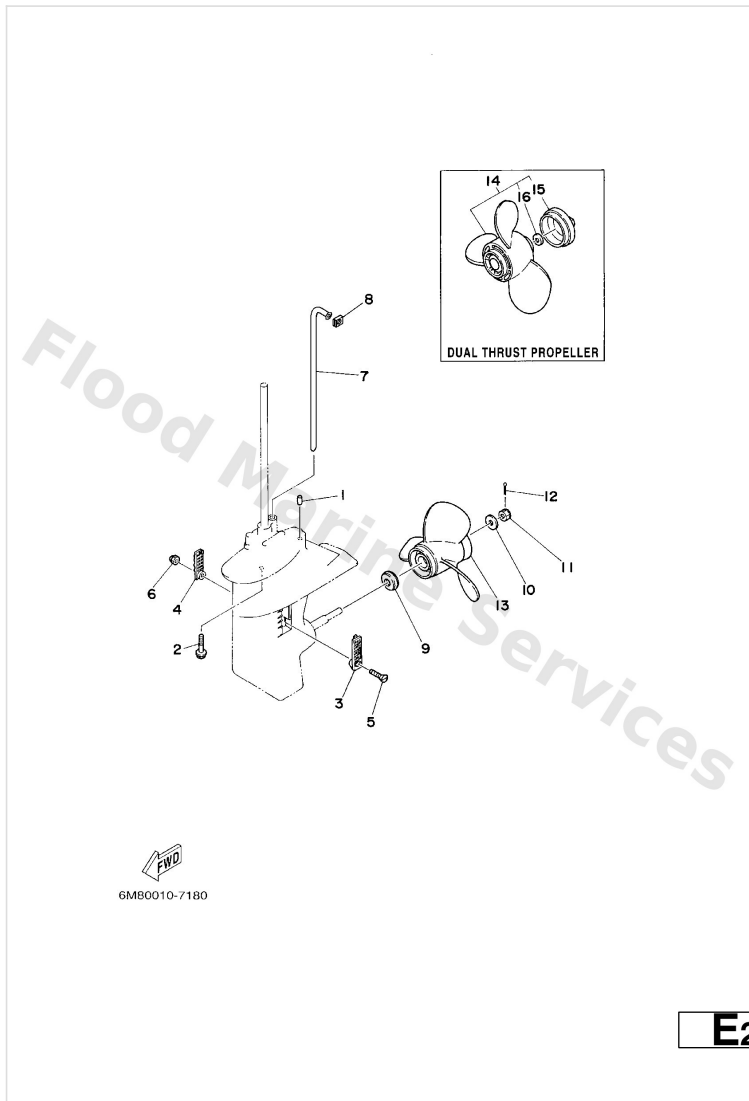
# Lower Casing. Drive 1



Ref	Part	
43	<a href="#">664--45587--01--15</a> Shim (t:0.15mm) UR	<a href="#">Buy now</a>
43	<a href="#">664--45587--01--18</a> Shim (t:0.18mm) UR	<a href="#">Buy now</a>
43	<a href="#">664--45587--01--30</a> Shim (t:0.30mm) UR	<a href="#">Buy now</a>
43	<a href="#">664--45587--01--40</a> Shim (t:0.40mm) UR	<a href="#">Buy now</a>
43	<a href="#">664--45587--01--50</a> Shim (t:0.50mm) UR	<a href="#">Buy now</a>
44	<a href="#">6N0--G5571--00</a> Gear 2	<a href="#">Buy now</a>
45	<a href="#">90201--15M89</a> Washer, plate (6g1)	<a href="#">Buy now</a>
46	<a href="#">647--45567--00</a> Shim, gear adjust UN	<a href="#">Buy now</a>
47	<a href="#">6G1--45631--00</a> Clutch, dog	<a href="#">Buy now</a>
48	<a href="#">6G1--45632--00</a> Cross, pin	<a href="#">Buy now</a>
49	<a href="#">654--45633--00</a> Ring, cross pin	<a href="#">Buy now</a>
50	<a href="#">90501--12M38</a> Spring, compression(6g1)	<a href="#">Buy now</a>
51	<a href="#">6G1--45635--00</a> Plunger, shift	<a href="#">Buy now</a>
52	<a href="#">6G1--45611--01</a> Shaft, propellar	<a href="#">Buy now</a>

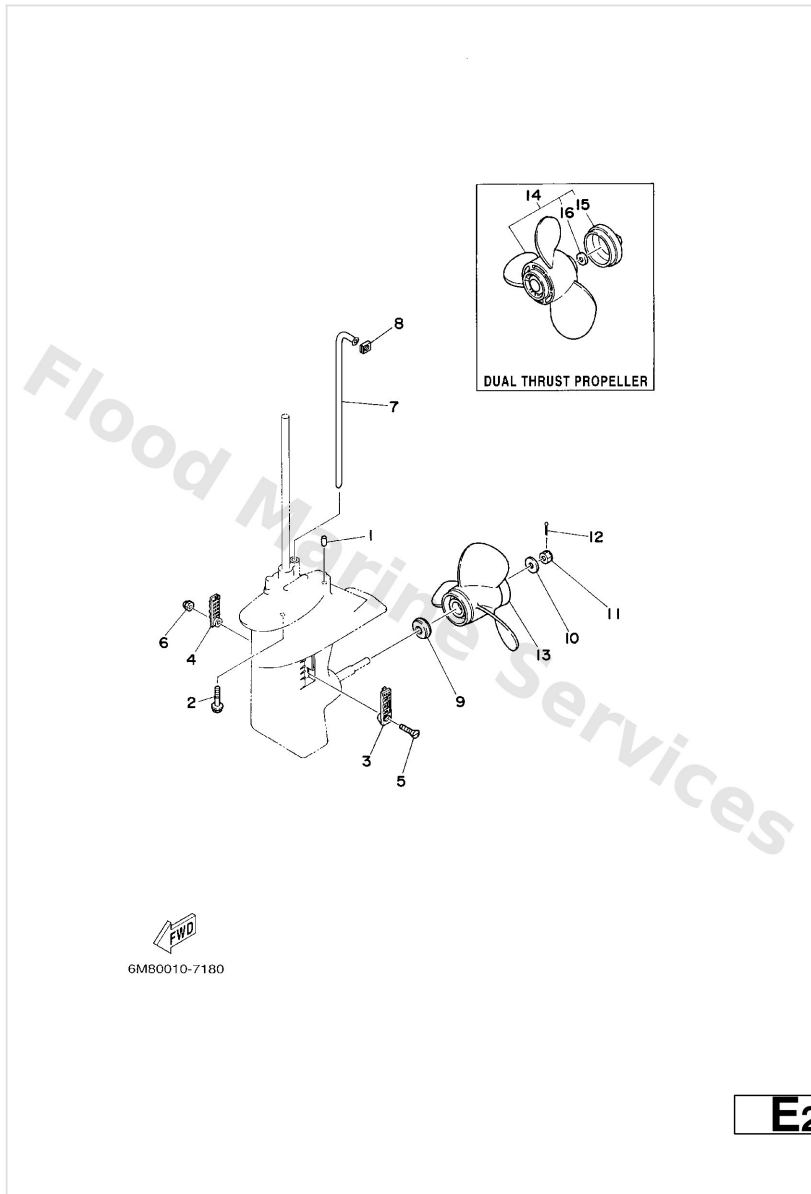


## Lower Casing. Drive 2



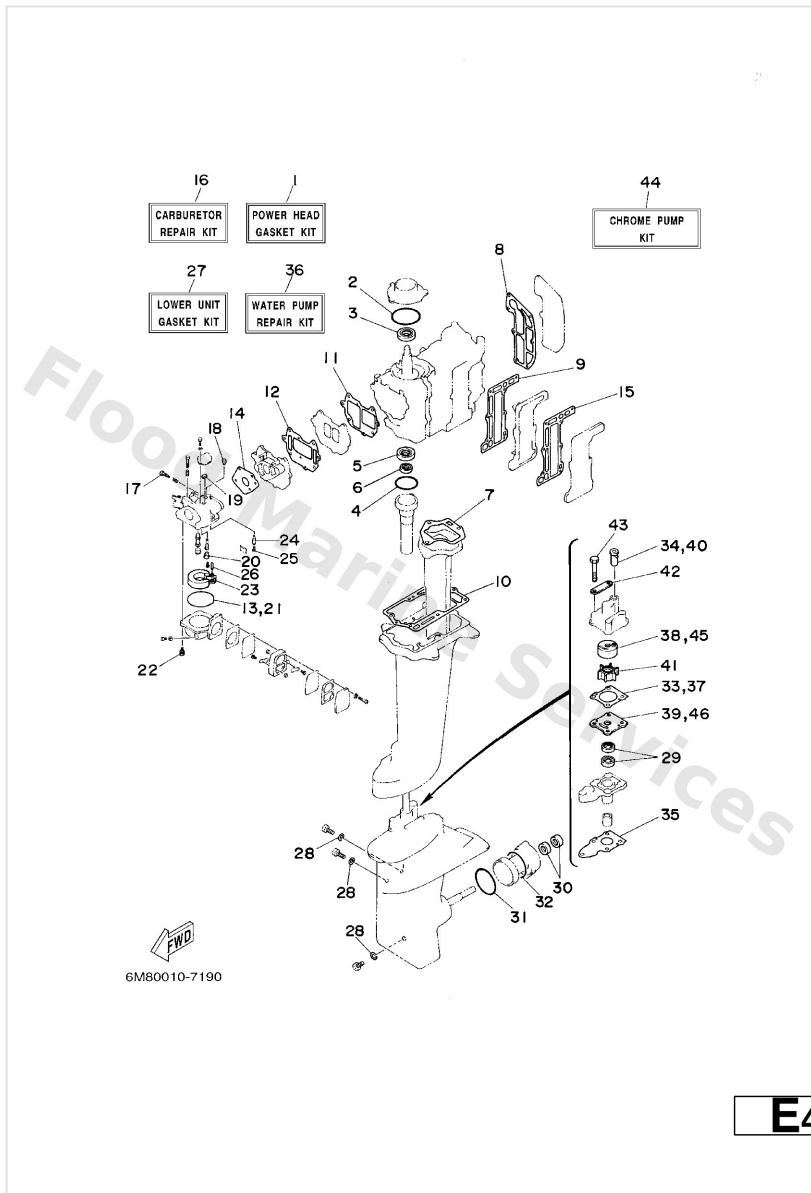
Ref	Part	
1	<a href="#">93604--08062</a> Pin,dowel (626)	<a href="#">Buy now</a>
2	<a href="#">95895--06030</a> Bolt, flange deep recess	<a href="#">Buy now</a>
3	<a href="#">6G1--45214--00</a> Cover, water inlet	<a href="#">Buy now</a>
4	<a href="#">6G1--45215--00</a> Cover, water inlet	<a href="#">Buy now</a>
5	<a href="#">90152--05M03</a> Screw, countersunk	<a href="#">Buy now</a>
6	<a href="#">90185--05002</a> Nut nylon (sus)(ex4)	<a href="#">Buy now</a>
7	<a href="#">6N0--G4361--00</a> Tube, water 1 S	<a href="#">Buy now</a>
7	<a href="#">6N0--G4361--10</a> Tube, water 1 L	<a href="#">Buy now</a>
7	<a href="#">6N0G436120</a> Tube, Water 1 X	<a href="#">Buy now</a>
8	<a href="#">6G1--44365--00</a> Damper, water seal 1	<a href="#">Buy now</a>
9	<a href="#">6N0--G5987--00</a> Spacer UR	<a href="#">Buy now</a>
9	<a href="#">6N0--G5987--10</a> Spacer UR	<a href="#">Buy now</a>
10	<a href="#">90201--10M01</a> Washer, plate(6m7)	<a href="#">Buy now</a>
11	<a href="#">90171--10M01</a> Nut castle (683)	<a href="#">Buy now</a>
12	<a href="#">91490--30020</a> Pin cotter	<a href="#">Buy now</a>

## Lower Casing. Drive 2



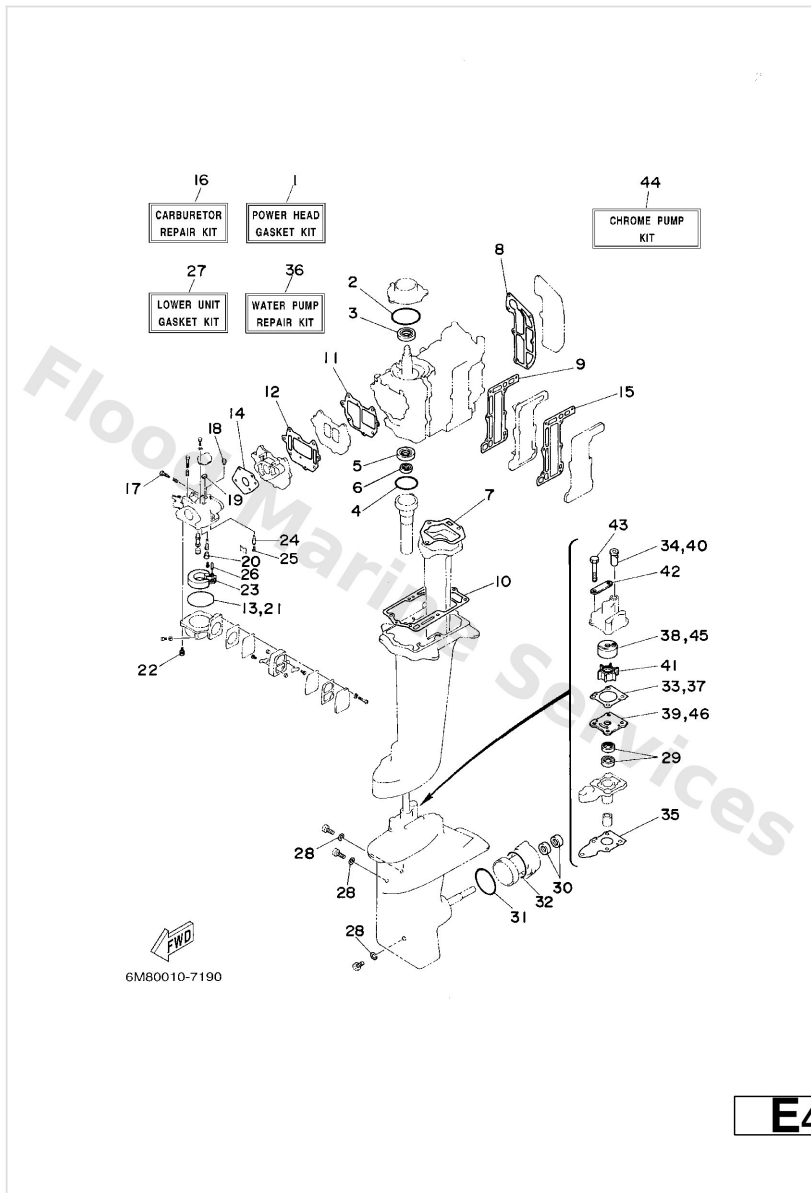
Ref	Part	
15	<a href="#">6G1--45616--01</a> Nut, propeller	<a href="#">Buy now</a>
16	<a href="#">90201--10M02</a> Washer, plate(6g9)	<a href="#">Buy now</a>

# Repair Kit



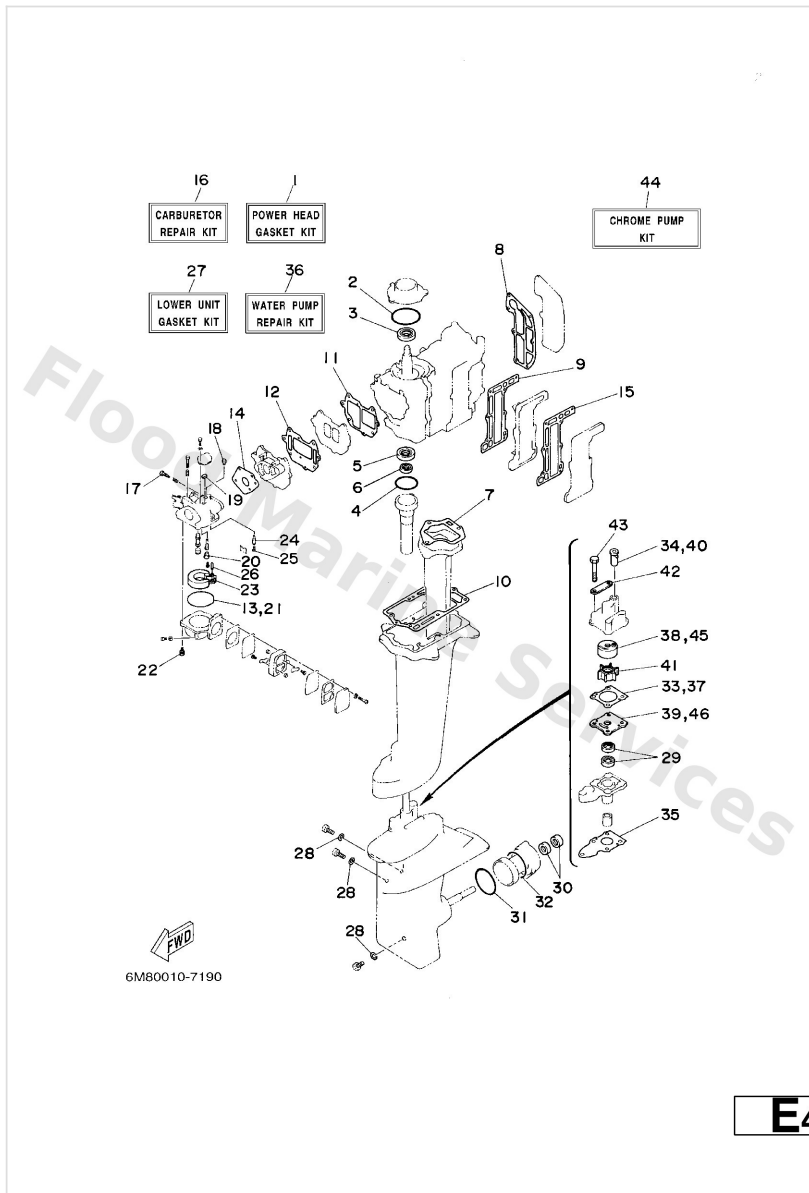
Ref	Part	
1	<a href="#">6N0--W0001--A0</a> Power head gasket kit	<a href="#">Buy now</a>
2	<a href="#">93210--54M54</a> O-ring (6g1)	<a href="#">Buy now</a>
3	<a href="#">93102--20M25</a> Oil seal (6e0)	<a href="#">Buy now</a>
4	<a href="#">93210--42159</a> O-ring (647)	<a href="#">Buy now</a>
5	<a href="#">93101--20M29</a> Oil seal(6j1)	<a href="#">Buy now</a>
6	<a href="#">93101--12M26</a> Oil seal(6g1)	<a href="#">Buy now</a>
7	<a href="#">6G1--41133--A0</a> Gasket, exhaust manifold 1	<a href="#">Buy now</a>
8	<a href="#">6G1--11193--A1</a> Gasket, head cover 1	<a href="#">Buy now</a>
9	<a href="#">6G1--41112--A1</a> Gasket, exhaust inner cover	<a href="#">Buy now</a>
10	<a href="#">6G1--45113--A1</a> Gasket, upper casing	<a href="#">Buy now</a>
11	<a href="#">6G1--13621--A1</a> Gasket, valve seat	<a href="#">Buy now</a>
12	<a href="#">6G1--13645--A1</a> Gasket, intake manifold	<a href="#">Buy now</a>
13	<a href="#">6G1--14984--00</a> Gasket, float chamber	<a href="#">Buy now</a>
14	<a href="#">6G1--14198--A1</a> Gasket	<a href="#">Buy now</a>
15	<a href="#">6G1--41114--A0</a> Gasket, exhaust outer cover	<a href="#">Buy now</a>

# Repair Kit



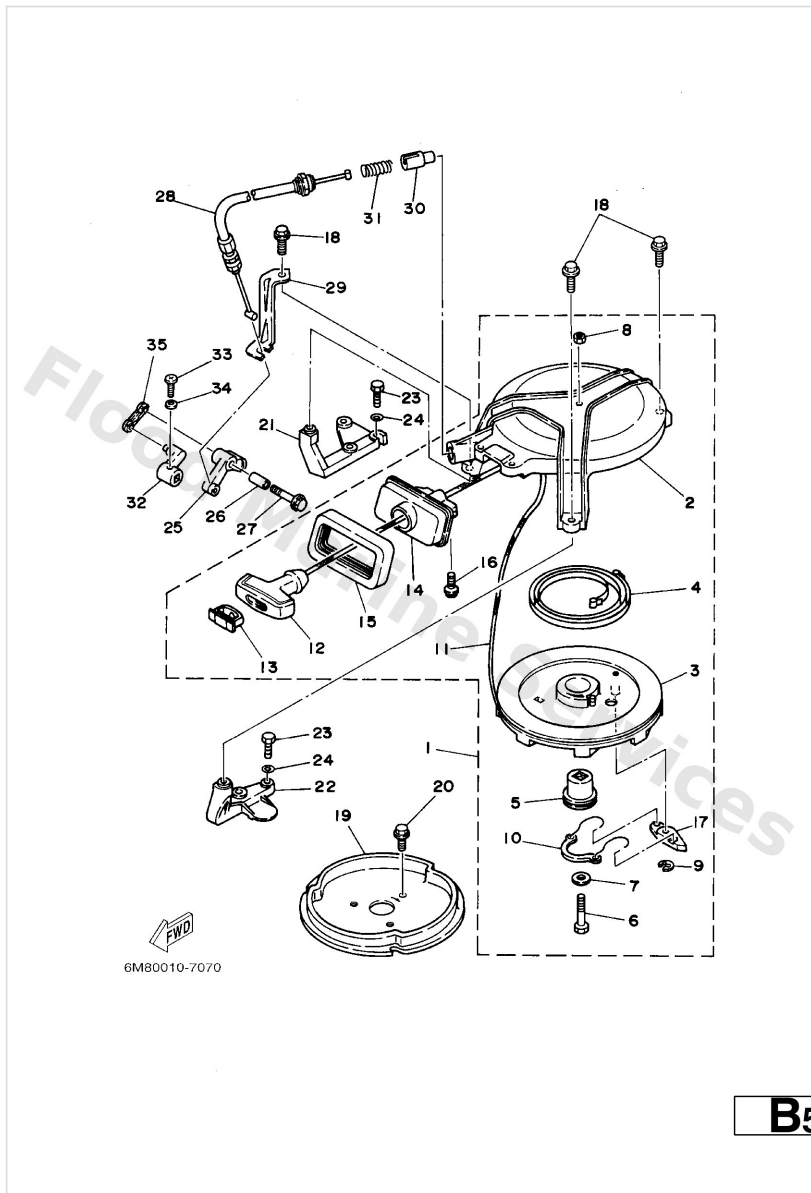
Ref	Part	
16	<a href="#">6N0--W0093--00</a> Carburetor repair kit	<a href="#">Buy now</a>
17	<a href="#">679--14923--00</a> Screw, pilot	<a href="#">Buy now</a>
18	<a href="#">6G1--14966--00</a> Cap	<a href="#">Buy now</a>
19	<a href="#">6G1--14126--00</a> Packing	<a href="#">Buy now</a>
20	<a href="#">676--14966--00</a> Rubber cap	<a href="#">Buy now</a>
22	<a href="#">97980--04114</a> Screw, pan head(ga5)	<a href="#">Buy now</a>
23	<a href="#">6G1--14985--00</a> Float comp.	<a href="#">Buy now</a>
24	<a href="#">6G1--14546--00</a> Valve, needle	<a href="#">Buy now</a>
25	<a href="#">676--14186--00</a> Pin, valve	<a href="#">Buy now</a>
26	<a href="#">688--14548--00</a> Pin, arm	<a href="#">Buy now</a>
27	<a href="#">6N0--W0001--C0</a> Lower unit gasket kit	<a href="#">Buy now</a>
28	<a href="#">90430--08020</a> Gasket	<a href="#">Buy now</a>
29	<a href="#">93101--11M23</a> Oil seal (6g1)	<a href="#">Buy now</a>
30	<a href="#">93101--15074</a> Oil seal (655)	<a href="#">Buy now</a>
31	<a href="#">93210--49046</a> O-ring (620)	<a href="#">Buy now</a>

# Repair Kit



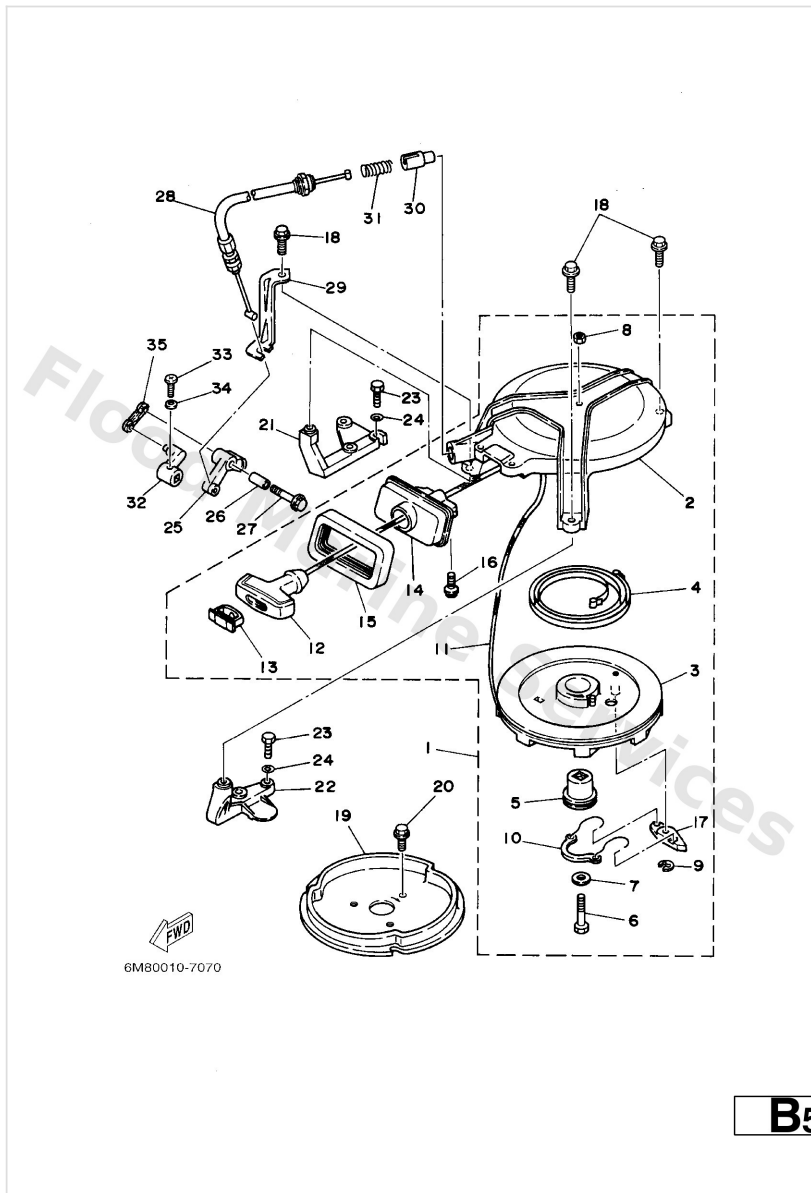
Ref	Part	
32	<a href="#">93210--53M08</a> O-ring(50m)	<a href="#">Buy now</a>
33	<a href="#">6G1--44315--A0</a> Gasket,water pump	<a href="#">Buy now</a>
34	<a href="#">647--44366--00</a> Damper, water seal 2	<a href="#">Buy now</a>
35	<a href="#">6G1--45315--A0</a> Packing, lower casing	<a href="#">Buy now</a>
36	<a href="#">6N0--W0078--A0</a> Water pump repair kit	<a href="#">Buy now</a>
38	<a href="#">6G1--44322--00</a> Insert, cartridge	<a href="#">Buy now</a>
39	<a href="#">6G1--44323--00</a> Outer plate, cartridge	<a href="#">Buy now</a>
41	<a href="#">6G1--44352--00</a> Impeller	<a href="#">Buy now</a>
42	<a href="#">6G1--44328--00</a> Plate	<a href="#">Buy now</a>
43	<a href="#">97095--06045</a> Bolt, hexagon	<a href="#">Buy now</a>
44	<a href="#">6N0--W0078--0A</a> Chrome pump kit	<a href="#">Buy now</a>
45	<a href="#">6G1--44322--40</a> Insert, cartridge	<a href="#">Buy now</a>
46	<a href="#">6G1--44323--40</a> Outer plate, cartridge	<a href="#">Buy now</a>

# Starter



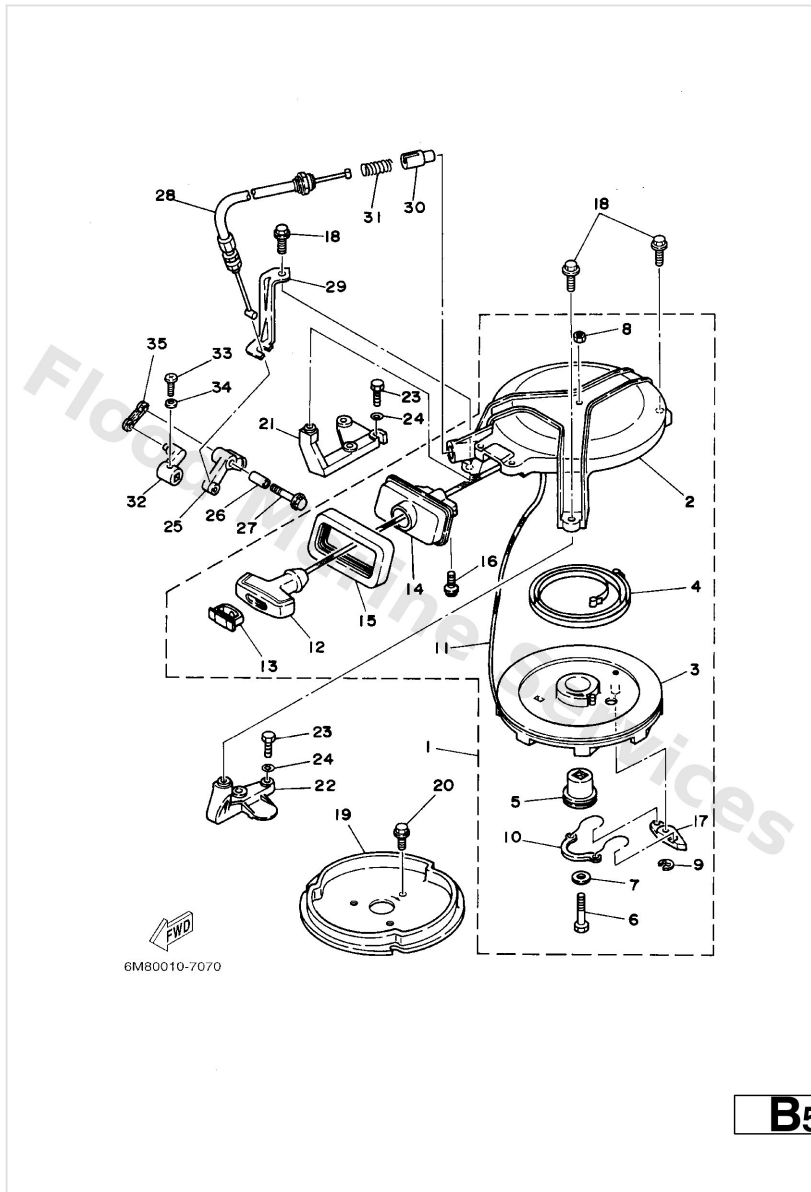
Ref	Part	
1	<a href="#">6M8--E5710--03</a> Starter assembly	<a href="#">Buy now</a>
2	<a href="#">6N0--E5711--80--94</a> Case, Starter	<a href="#">Buy now</a>
3	<a href="#">6M8--E5714--00</a> Drum, sheave	<a href="#">Buy now</a>
4	<a href="#">90510--08M03</a> Spring, spiral (6g1)	<a href="#">Buy now</a>
5	<a href="#">6G1--15717--00</a> Shaft, starter	<a href="#">Buy now</a>
6	<a href="#">97013--06035</a> Bolt(3rv)	<a href="#">Buy now</a>
7	<a href="#">90201--06M30</a> Washer, plate (6a1)	<a href="#">Buy now</a>
8	<a href="#">95303--06600</a> Nut(661)	<a href="#">Buy now</a>
9	<a href="#">93430--06M02</a> Circlip (689)	<a href="#">Buy now</a>
10	<a href="#">6G1--15705--00</a> Spring, drive pawl	<a href="#">Buy now</a>
11	* item_description	<a href="#">Buy now</a>
12	<a href="#">6G1--15755--00</a> Handle, starter	<a href="#">Buy now</a>
13	<a href="#">6G1--15779--00</a> Cover	<a href="#">Buy now</a>
14	<a href="#">6N0E575801</a> Guide, rope	<a href="#">Buy now</a>
15	<a href="#">6G1--15762--00</a> Seal 2	<a href="#">Buy now</a>

# Starter



Ref	Part	
16	<a href="#">95895--06016</a> Bolt, flange deep recess	<a href="#">Buy now</a>
17	<a href="#">677--15741--01</a> Pawl, drive	<a href="#">Buy now</a>
18	<a href="#">95895--06020</a> Bolt, flange(jk3)	<a href="#">Buy now</a>
19	<a href="#">6N0--E5723--00--94</a> Pulley, starter	<a href="#">Buy now</a>
20	<a href="#">90105--06M29</a> Bolt (6g1)	<a href="#">Buy now</a>
21	<a href="#">6N0--E5771--00--94</a> Stay 1	<a href="#">Buy now</a>
22	<a href="#">6N0--E5772--00--94</a> Stay 2	<a href="#">Buy now</a>
23	<a href="#">97075--06020</a> Bolt(7u8)	<a href="#">Buy now</a>
24	<a href="#">92995--06600</a> Washer, plain (646)	<a href="#">Buy now</a>
25	<a href="#">6G1--15746--81</a> Arm	<a href="#">Buy now</a>
26	<a href="#">6G1--15764--00</a> Collar 1	<a href="#">Buy now</a>
27	<a href="#">95895--06025</a> Bolt, flange deep recess	<a href="#">Buy now</a>
28	<a href="#">6N0E577080</a> Cable comp., starter stop	<a href="#">Buy now</a>
29	<a href="#">6G1--15774--81</a> Stay 4	<a href="#">Buy now</a>
30	<a href="#">656--15748--00</a> Plunger, starter stop	<a href="#">Buy now</a>

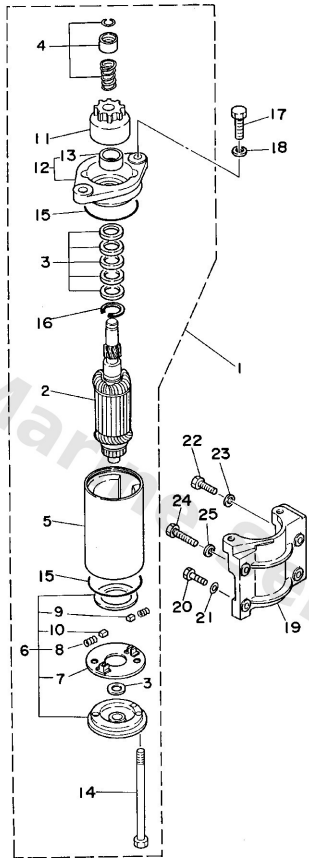
# Starter



Ref	Part	
31	<a href="#">90501--10227</a> Spring, comprhesion(656)	<a href="#">Buy now</a>
32	<a href="#">6G1--44125--80</a> Lever, shift rod 2	<a href="#">Buy now</a>
33	<a href="#">97880--05016</a> Screw, pan head(6b0)	<a href="#">Buy now</a>
34	<a href="#">92990--05600</a> Washer, plain (646)	<a href="#">Buy now</a>
35	<a href="#">6G1--15747--80</a> Link	<a href="#">Buy now</a>



# Starting Motor

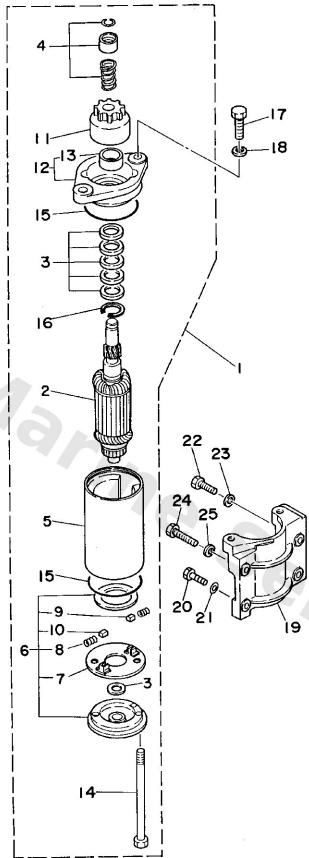


FWD  
6M80010-7110

C3

Ref	Part	
1	<a href="#">6L28180011</a> Starting motor assembly	<a href="#">Buy now</a>
2	<a href="#">6L28185011</a> Armature assembly	<a href="#">Buy now</a>
3	<a href="#">6828180910</a> Washer kit	<a href="#">Buy now</a>
4	<a href="#">6L28183310</a> Ring, stop	<a href="#">Buy now</a>
5	<a href="#">6828181011</a> Stator assembly	<a href="#">Buy now</a>
6	<a href="#">6L28182010</a> Rear bracket assembly	<a href="#">Buy now</a>
7	<a href="#">6L28184010</a> Brush holder assembly	<a href="#">Buy now</a>
8	<a href="#">6828181310</a> Spring, brush	<a href="#">Buy now</a>
9	<a href="#">6L28181110</a> Brush 1	<a href="#">Buy now</a>
10	<a href="#">6L28181210</a> Brush 2	<a href="#">Buy now</a>
11	<a href="#">6828183210</a> Pinion assembly	<a href="#">Buy now</a>
12	<a href="#">6828183010</a> Front Bracket assembly	<a href="#">Buy now</a>
13	<a href="#">6828183100</a> Metal, front	<a href="#">Buy now</a>
14	<a href="#">6828182610</a> Bolt	<a href="#">Buy now</a>
15	<a href="#">6828184710</a> O-ring	<a href="#">Buy now</a>

# Starting Motor

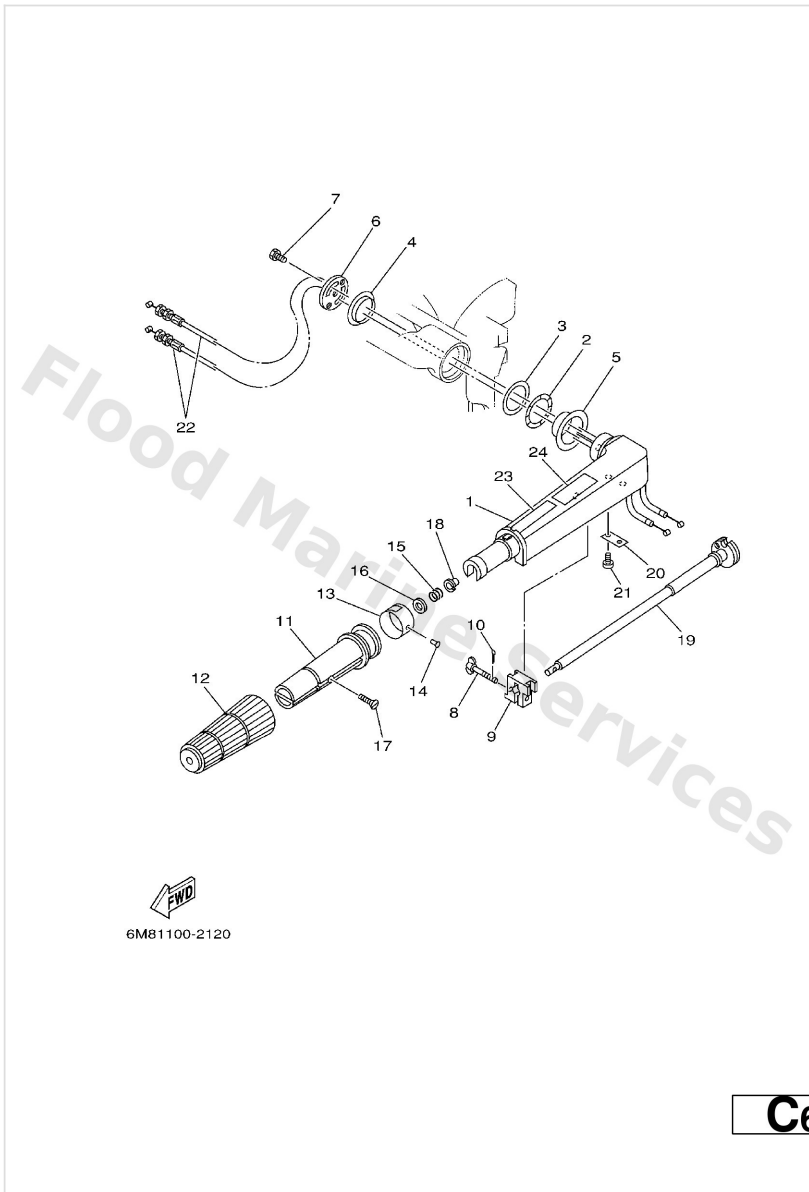


  
6M80010-7110

**C3**

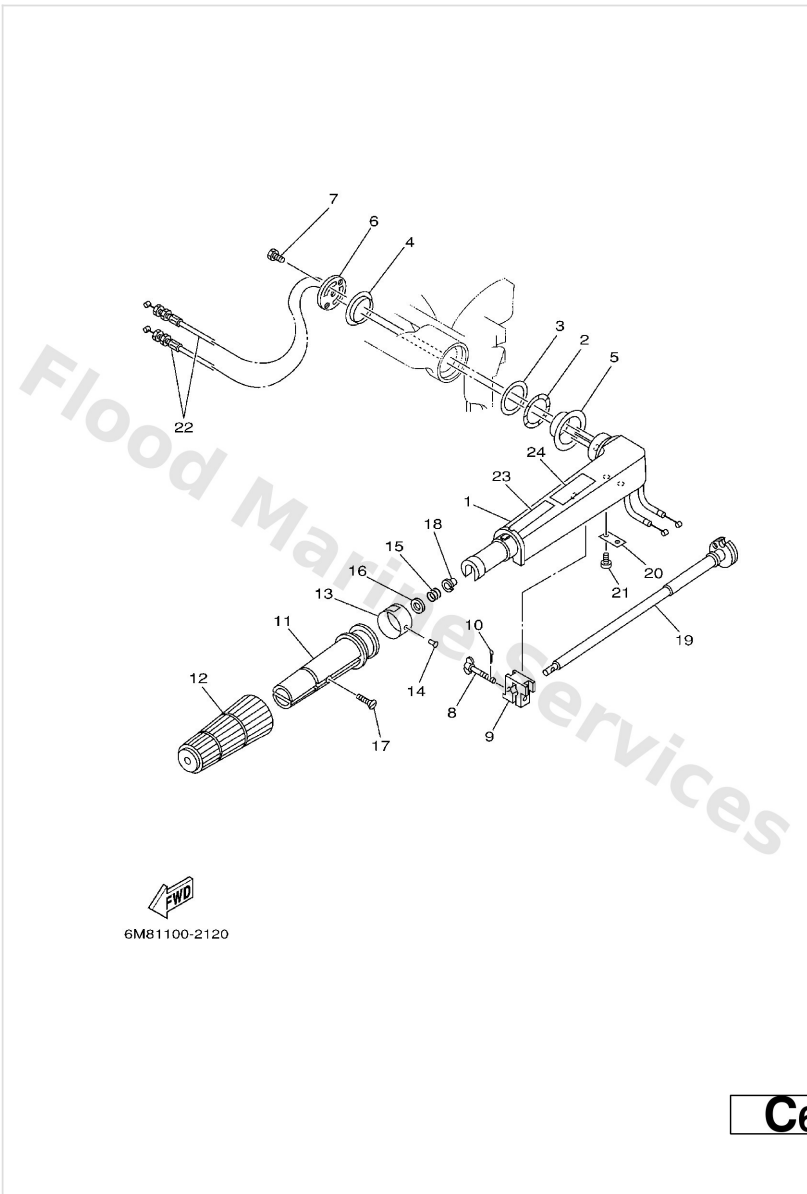
Ref	Part	
16	<a href="#">6828183410</a> Ring	<a href="#">Buy now</a>
17	<a href="#">97013--08025</a> Bolt (682)	<a href="#">Buy now</a>
18	<a href="#">92903--08600</a> Washer, plain (663)	<a href="#">Buy now</a>
19	<a href="#">682818224394</a> Bracket, Electric Motor (682-81822-42-94)	<a href="#">Buy now</a>
20	<a href="#">97075--06020</a> Bolt(7u8)	<a href="#">Buy now</a>
21	<a href="#">92995--06600</a> Washer, plain (646)	<a href="#">Buy now</a>
22	<a href="#">97075--06025</a> Bolt	<a href="#">Buy now</a>
24	<a href="#">97075--06030</a> Bolt(jf7)	<a href="#">Buy now</a>

# Steering



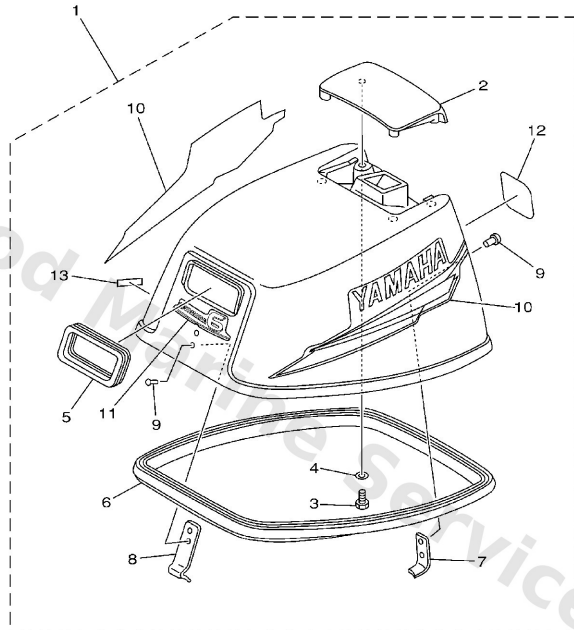
Ref	Part	
2	<a href="#">90206--36M21</a> Washer, wave(63v)	<a href="#">Buy now</a>
3	<a href="#">90202--36M55</a> Washer, plate(63v)	<a href="#">Buy now</a>
4	<a href="#">90386--33M96</a> Bush(63v)	<a href="#">Buy now</a>
5	<a href="#">90386--34M97</a> Bush(63v)	<a href="#">Buy now</a>
6	<a href="#">6G1--42131--01</a> Cover, handle steering	<a href="#">Buy now</a>
7	<a href="#">97095--06020</a> Bolt(7u8)	<a href="#">Buy now</a>
8	<a href="#">6G1--42125--01</a> Bolt, friction adjusting	<a href="#">Buy now</a>
9	<a href="#">6N0--G2126--00</a> Piece, friction	<a href="#">Buy now</a>
10	<a href="#">91490--16010</a> Pin, cotter	<a href="#">Buy now</a>
11	<a href="#">6M4G211901</a> Grip steering handle	<a href="#">Buy now</a>
12	<a href="#">6N0--G2177--00</a> Rubber, handle	<a href="#">Buy now</a>
13	<a href="#">6G1--42137--10</a> Indicator, throttle	<a href="#">Buy now</a>
14	<a href="#">90269--02M09</a> Rivet(615)	<a href="#">Buy now</a>
15	<a href="#">90501--23215</a> Spring (655)	<a href="#">Buy now</a>
16	<a href="#">92903--10600</a> Washer, plate	<a href="#">Buy now</a>

# Steering



Ref	Part	
17	<a href="#">90149--05M13</a> Screw, countersunk	<a href="#">Buy now</a>
18	<a href="#">90386--08032</a> Bushing (650)	<a href="#">Buy now</a>
19	<a href="#">6G1--42138--01</a> Lever, throttle	<a href="#">Buy now</a>
20	<a href="#">6E0--42159--02</a> Stay	<a href="#">Buy now</a>
21	<a href="#">97885--05012</a> Screw,pan head (646)	<a href="#">Buy now</a>
22	<a href="#">6N0F630100</a> Throttle cable assembly	<a href="#">Buy now</a>
23	<a href="#">6E0--83627--41</a> Label, caution 7	<a href="#">Buy now</a>
24	<a href="#">6E0--83627--51</a> Label, Caution 7	<a href="#">Buy now</a>

# Top Cowling

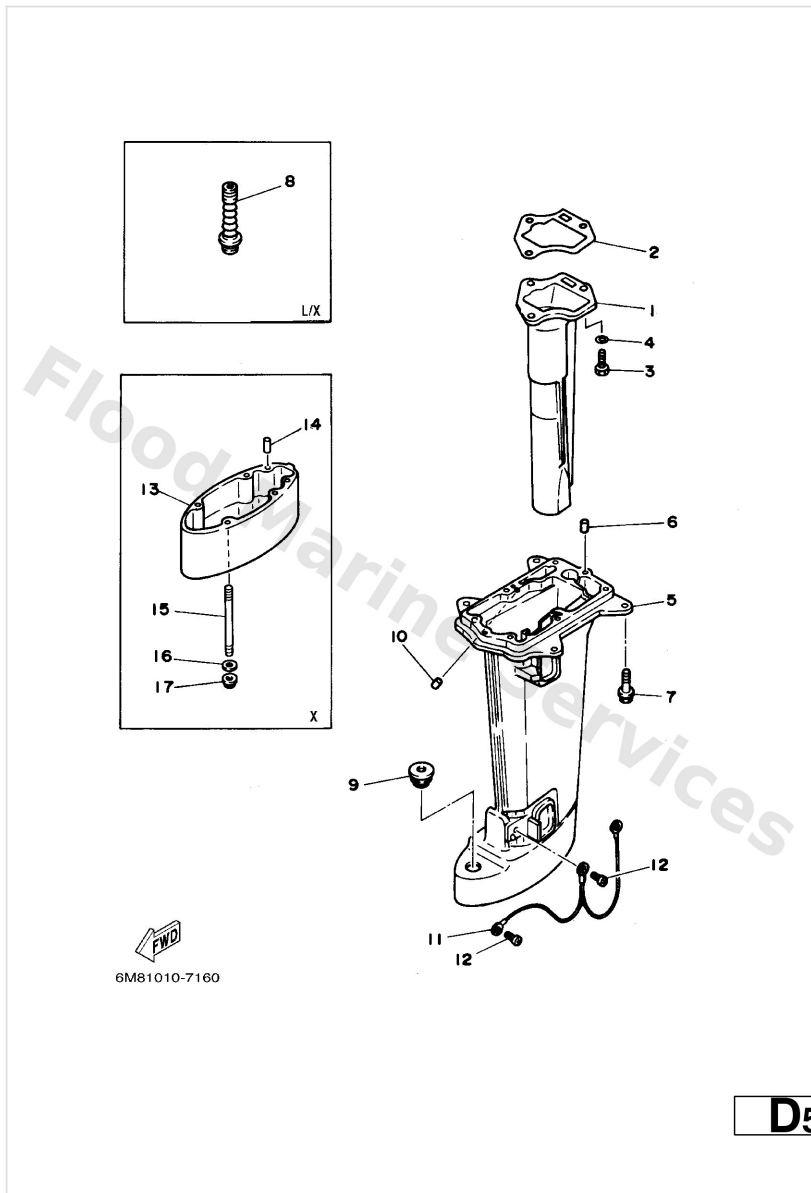


6M81200-2010

**A4**

Ref	Part	
3	<a href="#">97095--06016</a> Bolt, hexagon deep recess	<a href="#">Buy now</a>
4	<a href="#">92995--06600</a> Washer, plain (646)	<a href="#">Buy now</a>
5	<a href="#">6G1--15761--00</a> Seal 1	<a href="#">Buy now</a>
6	<a href="#">6G1--42615--00</a> Seal	<a href="#">Buy now</a>
7	<a href="#">6G1--42647--00</a> Holder, clamp band	<a href="#">Buy now</a>
8	<a href="#">6N0--G2651--00</a> Hook 1	<a href="#">Buy now</a>
9	<a href="#">90266--04M00</a> Rivet 2 (662)	<a href="#">Buy now</a>
10	<a href="#">6N0WG07010</a> Graphic set	<a href="#">Buy now</a>
11	<a href="#">6M8G267720</a> Graphic Front 6 Cv 2Temps 6C,6D	<a href="#">Buy now</a>
11	<a href="#">6N0G267720</a> Graphic front 8cv 8C	<a href="#">Buy now</a>
12	<a href="#">6M8G267811</a> Graphic, rear 6C,6D	<a href="#">Buy now</a>
12	<a href="#">6N0G267811</a> Graphic, rear 8C	<a href="#">Buy now</a>
13	<a href="#">6E0--44191--11</a> Indicator, shift	<a href="#">Buy now</a>

# Upper Casing



Ref	Part	
2	<a href="#">6G1--41133--A0</a> Gasket, exhaust manifold 1	<a href="#">Buy now</a>
3	<a href="#">97095--06020</a> Bolt(7u8)	<a href="#">Buy now</a>
4	<a href="#">92995--06600</a> Washer, plain (646)	<a href="#">Buy now</a>
14	<a href="#">93604--08062</a> Pin,dowel (626) X	<a href="#">Buy now</a>
7	<a href="#">95895--06030</a> Bolt, flange deep recess	<a href="#">Buy now</a>
8	<a href="#">655--44147--00</a> Boot, shift rod L,X	<a href="#">Buy now</a>
9	<a href="#">90480--20M29</a> Grommet (6g1) S	<a href="#">Buy now</a>
10	<a href="#">6G1--45135--00</a> Pipe 1	<a href="#">Buy now</a>
11	<a href="#">6G1--82149--00</a> Wire, lead 3	<a href="#">Buy now</a>
12	<a href="#">97885--06008</a> Screw, pan head(6a3)	<a href="#">Buy now</a>
15	<a href="#">9011606M18</a> Bolt Stud (6G1) X	<a href="#">Buy now</a>
16	<a href="#">92990--06600</a> Washer, plain (646) X	<a href="#">Buy now</a>
17	<a href="#">95780--06300</a> Nut, nylon (6g1) X	<a href="#">Buy now</a>

# Disclaimer

This document is provided for convenience only. It is **not** an official Yamaha publication and is **not supplied, endorsed, or approved** by Yamaha Motor Co., Ltd.

Reasonable efforts are made to keep information accurate; however diagrams, part references, supersessions, descriptions, and applicability may contain errors or omissions. Specifications and part availability may change without notice.

You are responsible for confirming the correct parts for your engine (including model code, year, serial range, and any superseded part numbers) before ordering or fitting.