



# Yamaha 9.9DMH 1990

## Parts Manual

[www.floodmarine.co.uk](http://www.floodmarine.co.uk)

+44 2882 246 539

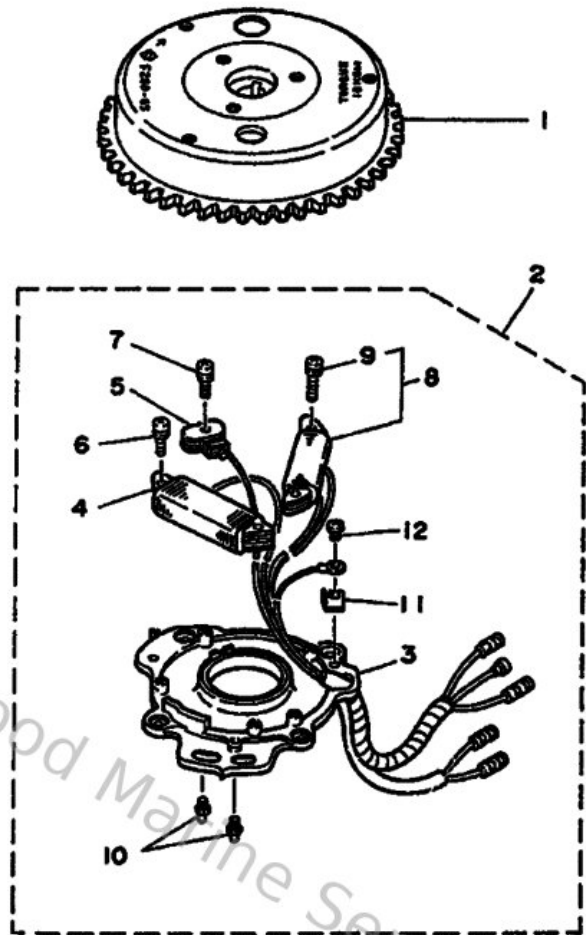
Authorised Yamaha Dealers



# Contents

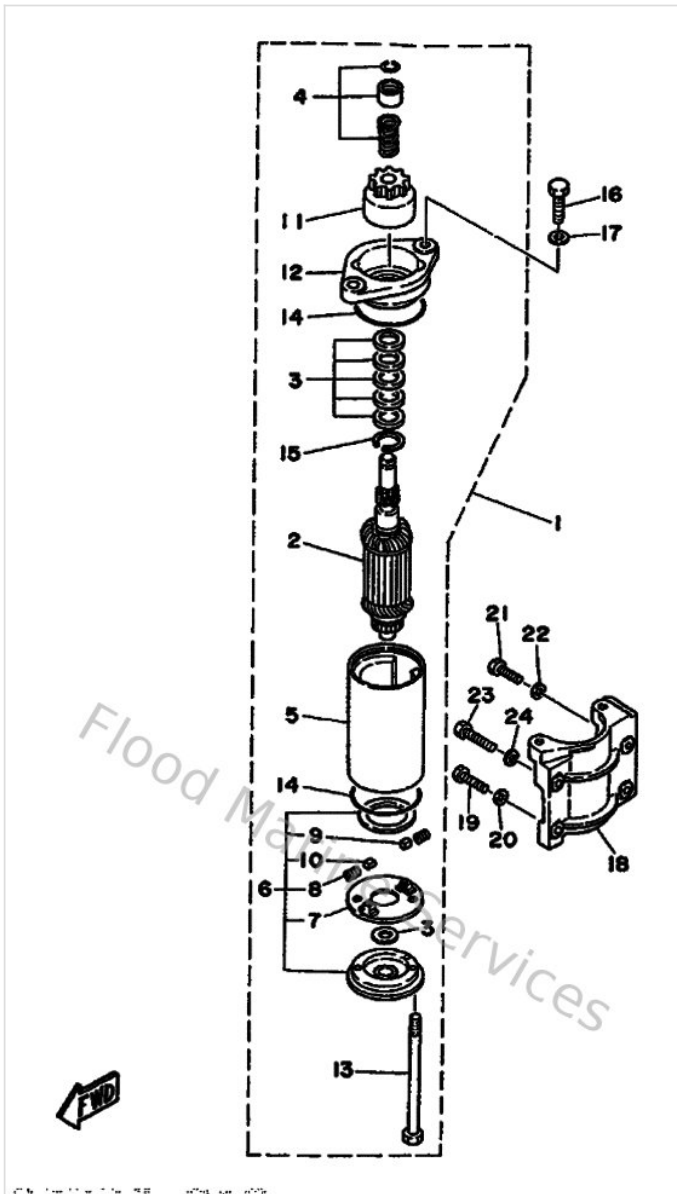
<b>Alternate 1</b> .....	3
<b>Alternate 2</b> .....	4
<b>Alternate 3</b> .....	6
<b>Bottom Cowling</b> .....	8
<b>Bracket 1</b> .....	10
<b>Control 1</b> .....	15
<b>Crankshaft &amp; Piston</b> .....	19
<b>Cylinder &amp; Crankcase</b> .....	21
<b>Electric Parts</b> .....	23
<b>Fuel</b> .....	25
<b>Generator</b> .....	27
<b>Intake</b> .....	29
<b>Lower Casing &amp; Drive 1</b> .....	32
<b>Lower Casing &amp; Drive 2</b> .....	36
<b>Optional Parts 1</b> .....	38
<b>Optional Parts 2</b> .....	39
<b>Optional Parts 3</b> .....	41
<b>Remote Control</b> .....	42
<b>Remote Control Assy 1</b> .....	45
<b>Repair Kit 1</b> .....	48
<b>Repair Kit 2</b> .....	50
<b>Starter</b> .....	52
<b>Top Cowling</b> .....	55
<b>Upper Casing</b> .....	56

# Alternate 1



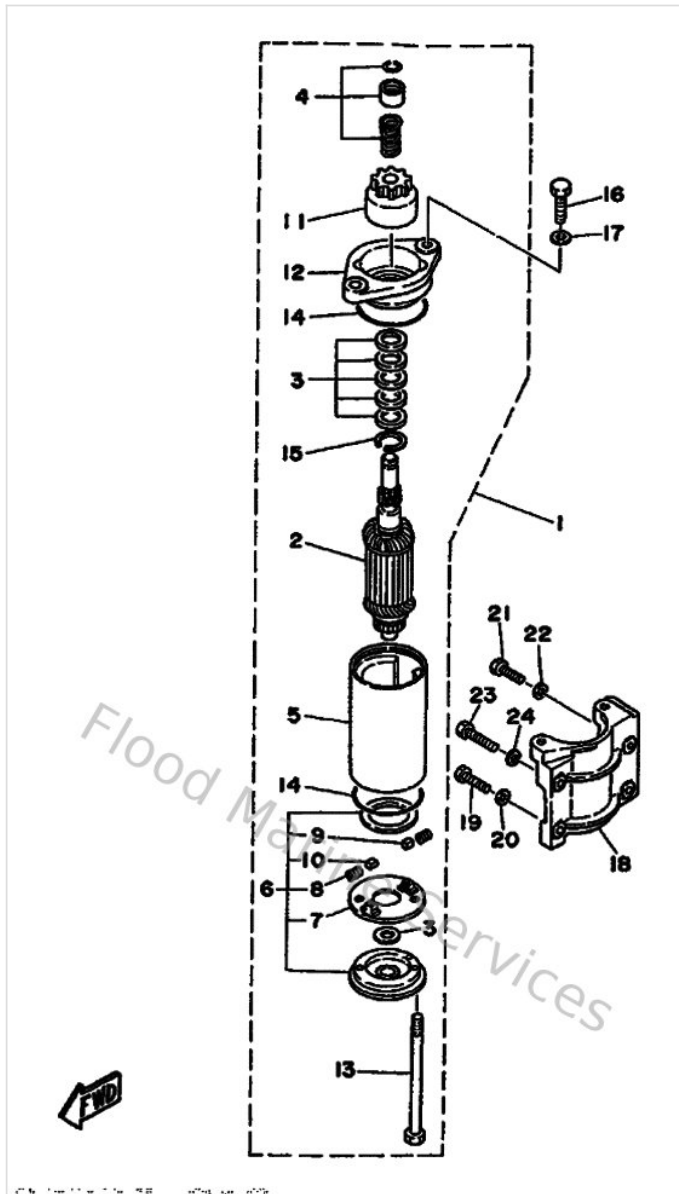
Ref	Part	
1	<a href="#">6E78550A000</a> Rotor assembly	<a href="#">Buy now</a>
3	<a href="#">6E7855097000</a> Base, Magneto	<a href="#">Buy now</a>
4	<a href="#">6E7855207000</a> Coil assembly	<a href="#">Buy now</a>
5	<a href="#">6E7855807000</a> Pulser coil ass'y	<a href="#">Buy now</a>
6	<a href="#">901590503900</a> Screw panhead (695)	<a href="#">Buy now</a>
7	<a href="#">985070501600</a> Screw, pan head(jj6)	<a href="#">Buy now</a>
8	<a href="#">6E781303A000</a> Lighting coil ass'y	<a href="#">Buy now</a>
10	<a href="#">663855180000</a> Joint, ball	<a href="#">Buy now</a>
12	<a href="#">985010400600</a> Screw, pan head	<a href="#">Buy now</a>

## Alternate 2



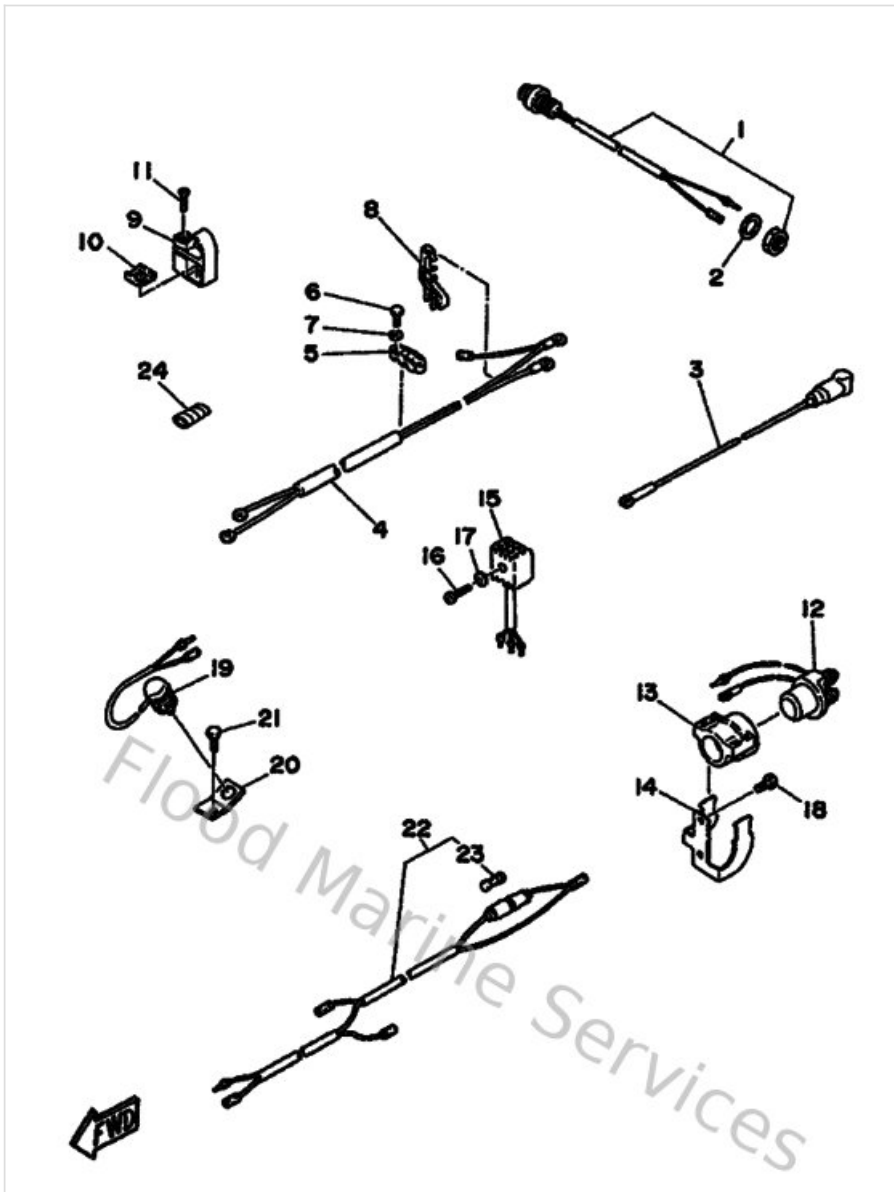
Ref	Part	
1	<a href="#">682818001100</a> Starting motor assembly	<a href="#">Buy now</a>
2	<a href="#">682818501000</a> Armature assembly	<a href="#">Buy now</a>
3	<a href="#">682818091000</a> Washer kit	<a href="#">Buy now</a>
4	<a href="#">682818331000</a> Pinion Stopper Set	<a href="#">Buy now</a>
6	<a href="#">682818201000</a> Rear Cover assembly	<a href="#">Buy now</a>
7	<a href="#">682818401000</a> Brush Holder assembly	<a href="#">Buy now</a>
8	<a href="#">682818131000</a> Spring, brush	<a href="#">Buy now</a>
9	<a href="#">682818111000</a> Brush 1	<a href="#">Buy now</a>
10	<a href="#">682818121000</a> Brush 2	<a href="#">Buy now</a>
11	<a href="#">682818321000</a> Pinion assembly	<a href="#">Buy now</a>
13	<a href="#">682818261000</a> Bolt	<a href="#">Buy now</a>
14	<a href="#">682818471000</a> O-ring	<a href="#">Buy now</a>
15	<a href="#">682818341000</a> Ring	<a href="#">Buy now</a>
16	<a href="#">970130802500</a> Bolt (682)	<a href="#">Buy now</a>
17	<a href="#">929900860000</a> Washer, plain (663)	<a href="#">Buy now</a>

## Alternate 2



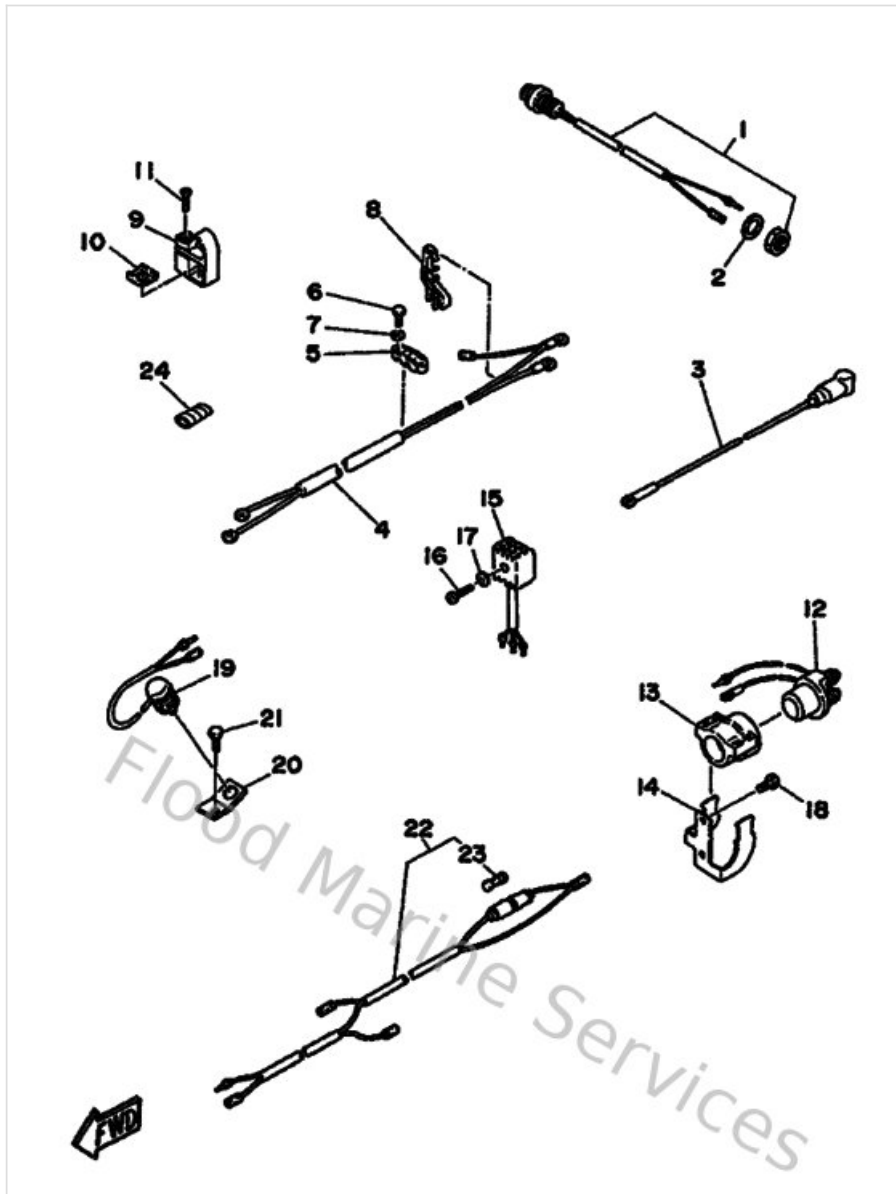
Ref	Part	
18	<a href="#">682818224394</a> Bracket, Electric Motor (682-81822-42-94)	<a href="#">Buy now</a>
19	<a href="#">973130602000</a> Bolt(7u8)	<a href="#">Buy now</a>
20	<a href="#">929900660000</a> Washer, plain (646)	<a href="#">Buy now</a>
21	<a href="#">973130602500</a> Bolt	<a href="#">Buy now</a>
23	<a href="#">973130603000</a> Bolt	<a href="#">Buy now</a>

## Alternate 3



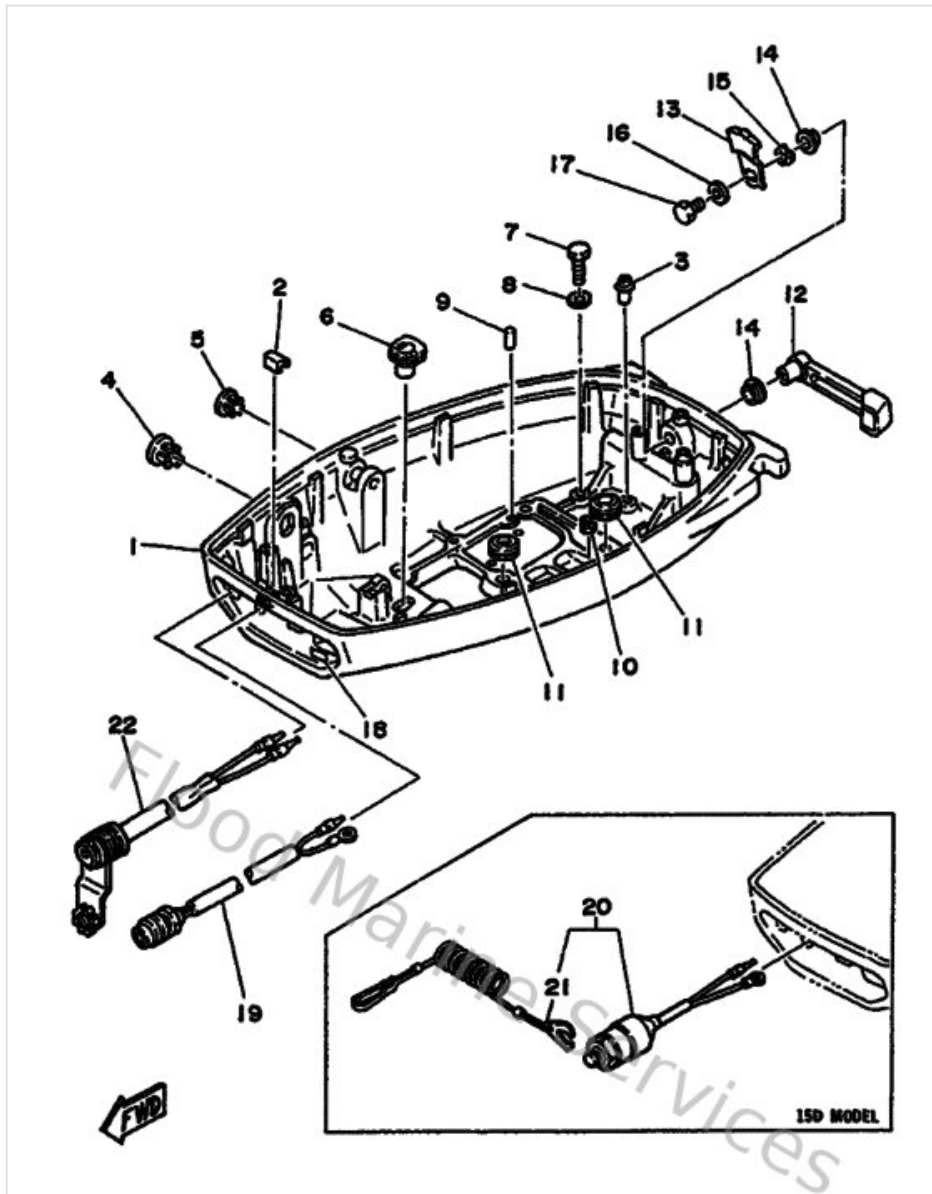
Ref	Part	
1	<a href="#">68981870000</a> Starting switch assembly	<a href="#">Buy now</a>
2	<a href="#">9020116M3600</a> Washer, plate(6e7)	<a href="#">Buy now</a>
3	<a href="#">6E7821170000</a> Wire, lead	<a href="#">Buy now</a>
4	<a href="#">6E7821051000</a> Battery cable	<a href="#">Buy now</a>
5	<a href="#">9046408M0300</a> Clamp	<a href="#">Buy now</a>
6	<a href="#">970950601600</a> Bolt, hexagon deep recess	<a href="#">Buy now</a>
7	<a href="#">929900660000</a> Washer, plain (646)	<a href="#">Buy now</a>
8	<a href="#">682825940100</a> Clamp	<a href="#">Buy now</a>
9	<a href="#">689825940000</a> Clamp	<a href="#">Buy now</a>
10	<a href="#">682425250000</a> Plate, friction 1	<a href="#">Buy now</a>
11	<a href="#">9016106M0000</a> Screw, tapping(6e7)	<a href="#">Buy now</a>
12	<a href="#">6G1819411000</a> Starter relay	<a href="#">Buy now</a>
13	<a href="#">6G1819520000</a> Holder, relay	<a href="#">Buy now</a>
14	<a href="#">6E7819450000</a> Plate, Switch Fitting	<a href="#">Buy now</a>
15	<a href="#">664819706100</a> Rectifier assembly	<a href="#">Buy now</a>

## Alternate 3



Ref	Part	
16	<a href="#">985030502500</a> Screw, panhead (a93)	<a href="#">Buy now</a>
17	<a href="#">929900560000</a> Washer, plain (646)	<a href="#">Buy now</a>
18	<a href="#">970950601400</a> Bolt(gj3)	<a href="#">Buy now</a>
19	<a href="#">689825400100</a> Neutral switch ass'y	<a href="#">Buy now</a>
23	<a href="#">682821510000</a> Fuse	<a href="#">Buy now</a>
24	<a href="#">9044610M0200</a> Tube (6e5)	<a href="#">Buy now</a>

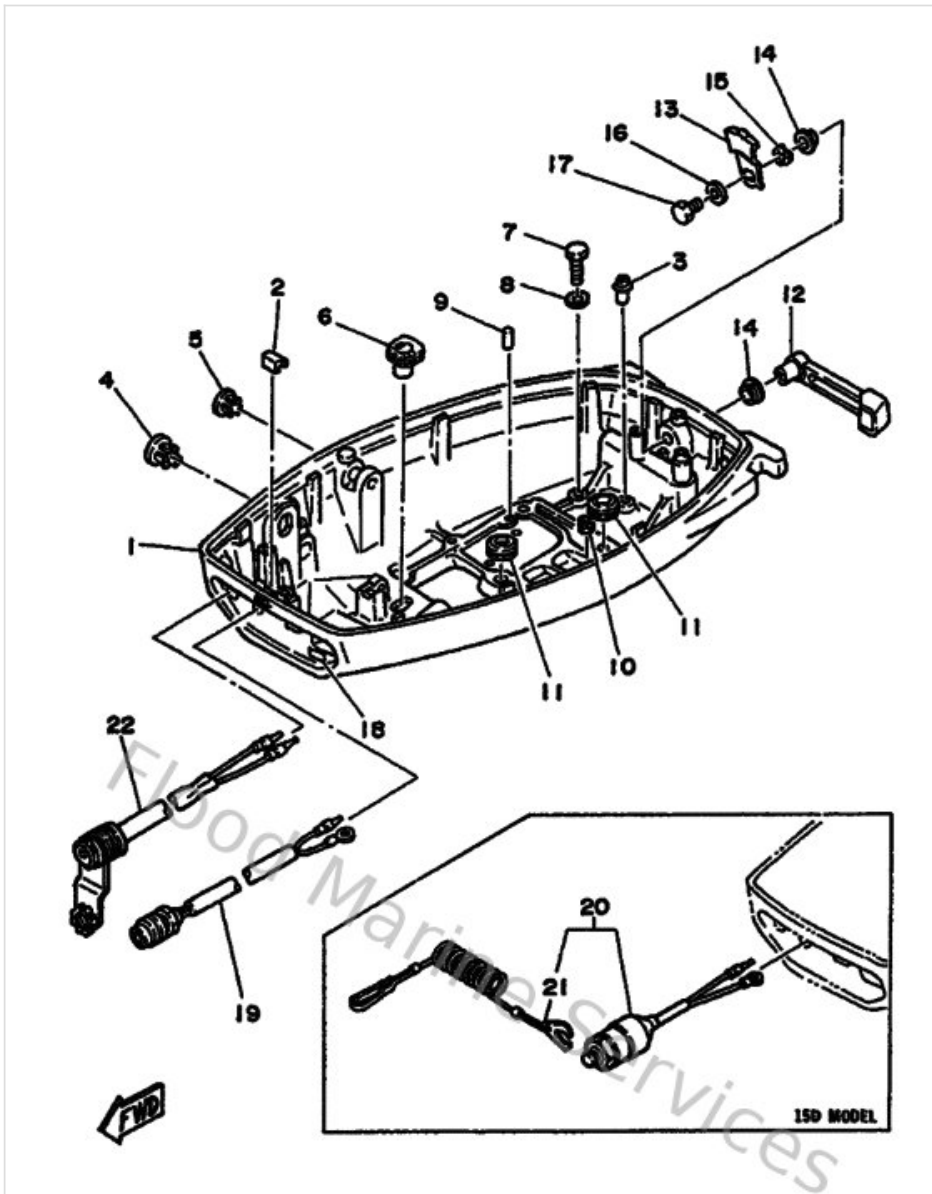
## Bottom Cowling



Ref	Part	
3	<a href="#">650243780000</a> Pipe, joint 2	<a href="#">Buy now</a>
4	<a href="#">682427250200</a> Grommet	<a href="#">Buy now</a>
5	<a href="#">682427260000</a> Grommet 3	<a href="#">Buy now</a>
6	<a href="#">682427270000</a> Grommet	<a href="#">Buy now</a>
7	<a href="#">970800602000</a> Bolt(7u8)	<a href="#">Buy now</a>
8	<a href="#">929900660000</a> Washer, plain (646)	<a href="#">Buy now</a>
9	<a href="#">936061201900</a> Pin, dowel (614)	<a href="#">Buy now</a>
10	<a href="#">682443660000</a> Water seal 2	<a href="#">Buy now</a>
11	<a href="#">682443670000</a> Rubber water seal 3	<a href="#">Buy now</a>
13	<a href="#">6E7428160000</a> Lever, clamp 2	<a href="#">Buy now</a>
14	<a href="#">903861206900</a> Bush(666)	<a href="#">Buy now</a>
15	<a href="#">902061205200</a> Washer, wave (666)	<a href="#">Buy now</a>
16	<a href="#">902010606800</a> Washer,plate (6k8)	<a href="#">Buy now</a>
17	<a href="#">973130601000</a> Bolt	<a href="#">Buy now</a>
18	<a href="#">6A1427920100</a> Mark (100:1)	<a href="#">Buy now</a>

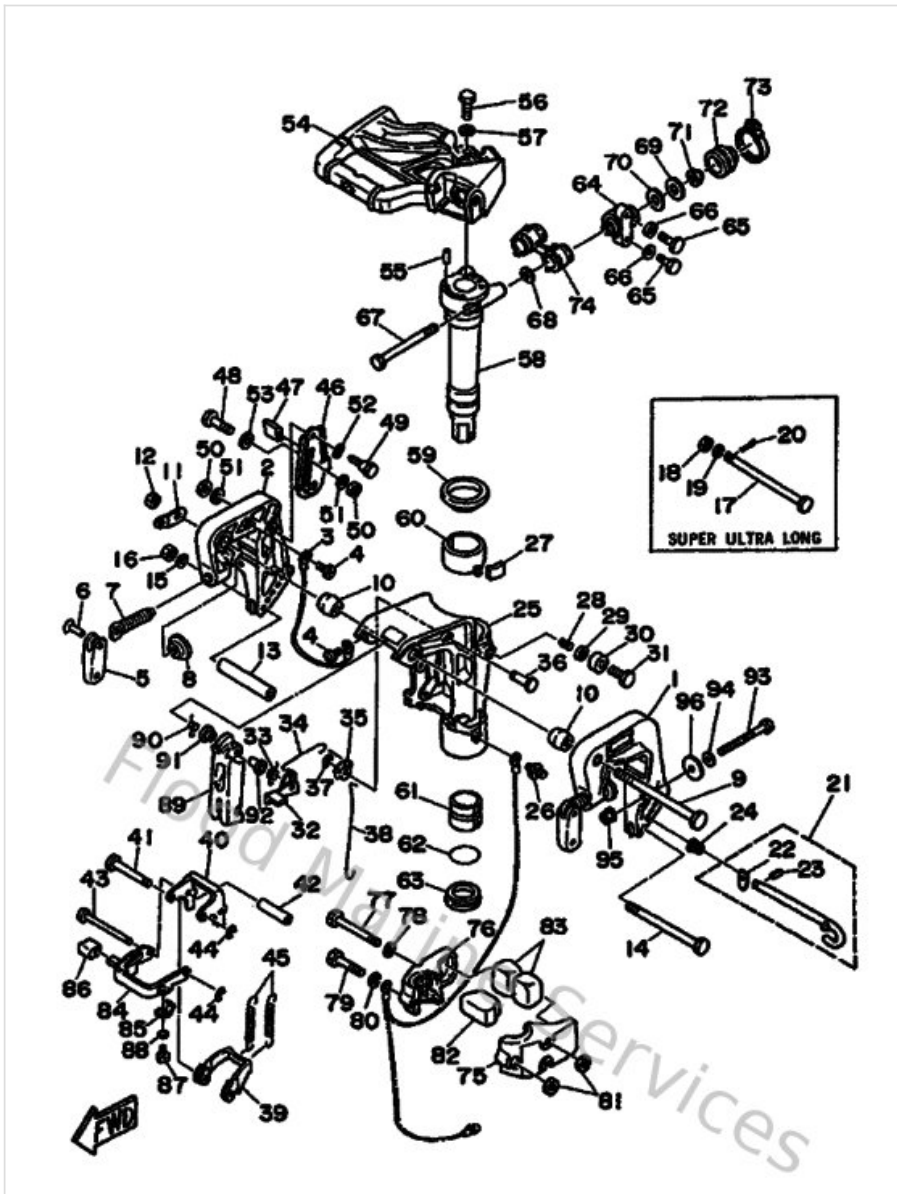


# Bottom Cowling



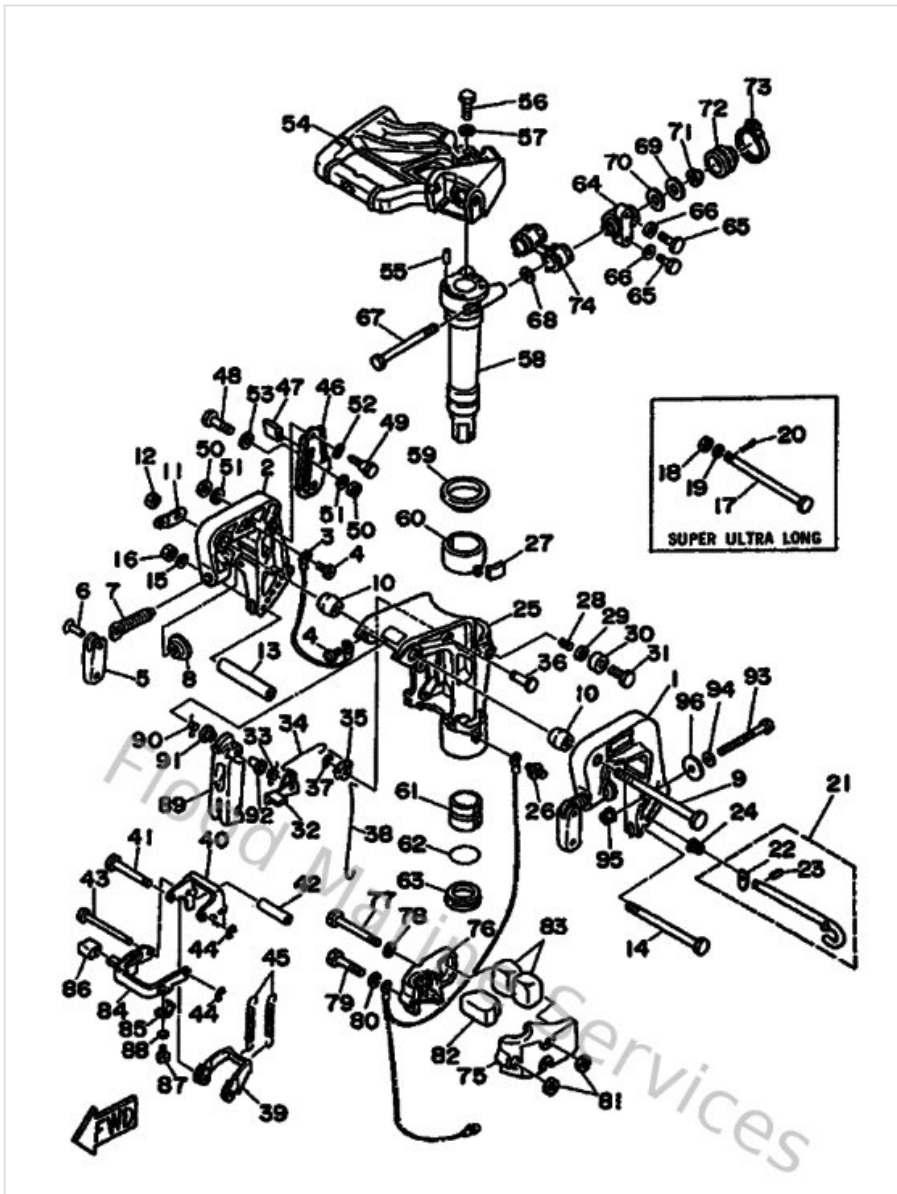
Ref	Part	
19	<a href="#">6A0825500100</a> Stop switch assembly	<a href="#">Buy now</a>
20	<a href="#">6E9825750000</a> Engine stop switch assembly	<a href="#">Buy now</a>
21	<a href="#">682825560000</a> Lanyard, stop switch	<a href="#">Buy now</a>
22	<a href="#">682843810000</a> 2p concent 1	<a href="#">Buy now</a>

# Bracket 1



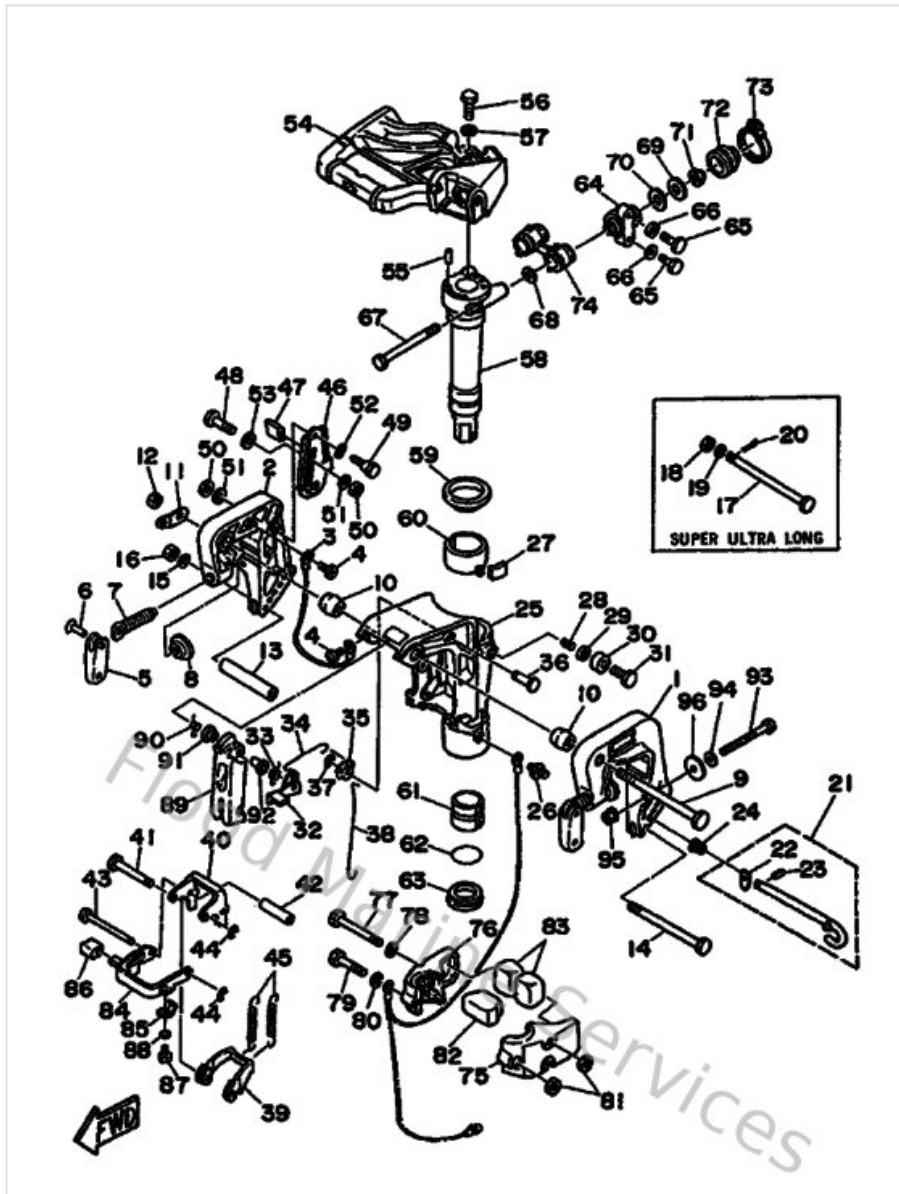
Ref	Part	
2	<a href="#">6824311203EJ</a> Bracket, Clamp	<a href="#">Buy now</a>
3	<a href="#">6E5821480000</a> Wire, lead 5	<a href="#">Buy now</a>
4	<a href="#">978950600800</a> Screw, pan head(6a3)	<a href="#">Buy now</a>
5	<a href="#">999990280800</a> Handle, transom clamp	<a href="#">Buy now</a>
6	<a href="#">9024304M0000</a> Pin(6a9)	<a href="#">Buy now</a>
7	<a href="#">901491403000</a> Screw, transom clamp	<a href="#">Buy now</a>
8	<a href="#">648431140100</a> Pad, transom clamp	<a href="#">Buy now</a>
9	<a href="#">9010110M0100</a> Bolt(6e7)	<a href="#">Buy now</a>
10	<a href="#">626431360000</a> Piece,friction	<a href="#">Buy now</a>
11	<a href="#">6E7431130100</a> Plate, clamp bracket	<a href="#">Buy now</a>
12	<a href="#">901851005100</a> Nut, self-locking	<a href="#">Buy now</a>
13	<a href="#">9038706M1300</a> Collar(6h6)	<a href="#">Buy now</a>
14	<a href="#">9010106M2900</a> Bolt, hexagon (682)	<a href="#">Buy now</a>
15	<a href="#">929900660000</a> Washer, plain (646)	<a href="#">Buy now</a>
16	<a href="#">953800670000</a> Nut	<a href="#">Buy now</a>

# Bracket 1



Ref	Part	
17	<a href="#">9020108M0100</a> Washer, plate(6l2)	<a href="#">Buy now</a>
18	<a href="#">9017108M0000</a> Nut, castle (682)	<a href="#">Buy now</a>
19	<a href="#">929900860000</a> Washer, plain (663)	<a href="#">Buy now</a>
20	<a href="#">914902001500</a> Pin, cotter (648)	<a href="#">Buy now</a>
21	<a href="#">682431600100</a> Tilt rod assembly	<a href="#">Buy now</a>
22	<a href="#">689431650000</a> Plate, tilt lock	<a href="#">Buy now</a>
23	<a href="#">916903000800</a> Pin. spring(656)	<a href="#">Buy now</a>
24	<a href="#">9050210M0700</a> Spring, conical(6k3)	<a href="#">Buy now</a>
25	<a href="#">6824331104EJ</a> Bracket Swivel	<a href="#">Buy now</a>
26	<a href="#">937000600400</a> Nipple, grease(6a1)	<a href="#">Buy now</a>
27	<a href="#">648425280000</a> Plate, friction	<a href="#">Buy now</a>
28	<a href="#">9050118M0000</a> Spring, compression (676)	<a href="#">Buy now</a>
30	<a href="#">676433730000</a> Damper, seal	<a href="#">Buy now</a>
31	<a href="#">973950802500</a> Bolt (62g)	<a href="#">Buy now</a>
32	<a href="#">682436310000</a> Lever, Tilt	<a href="#">Buy now</a>

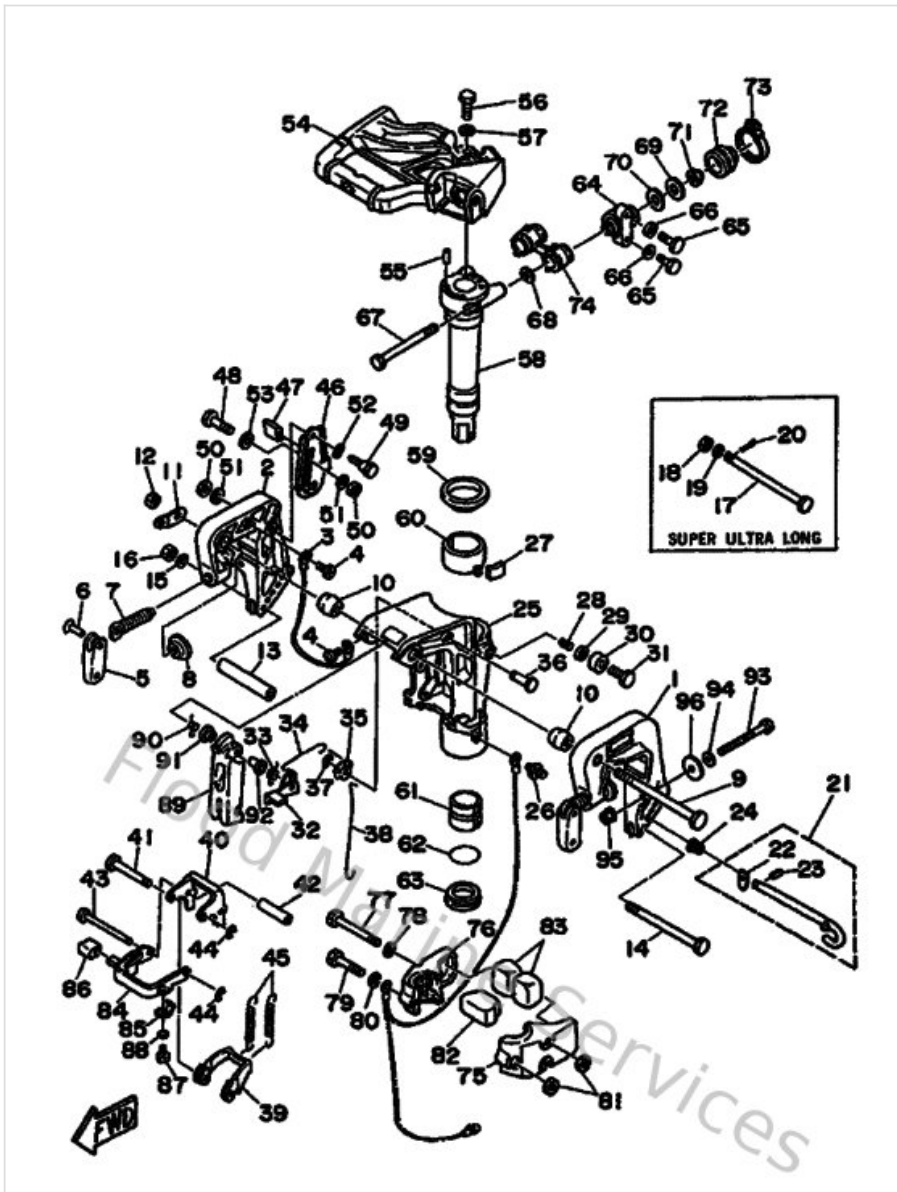
# Bracket 1



Ref	Part	
33	<a href="#">9050812M0300</a> Spring, Torsion	<a href="#">Buy now</a>
34	<a href="#">682436160000</a> Rod, tilt lock 1	<a href="#">Buy now</a>
35	<a href="#">682436410000</a> Lever, tilt	<a href="#">Buy now</a>
36	<a href="#">9024906M2300</a> Pin(6e7)	<a href="#">Buy now</a>
37	<a href="#">990800560000</a> Circlip(22k)	<a href="#">Buy now</a>
38	<a href="#">682436170000</a> Rod, tilt lock 2	<a href="#">Buy now</a>
39	<a href="#">682436140000</a> Plate, tilt lock 1	<a href="#">Buy now</a>
40	<a href="#">682436150100</a> Plate, tilt lock	<a href="#">Buy now</a>
41	<a href="#">682436110100</a> Shaft, tilt lock	<a href="#">Buy now</a>
42	<a href="#">9038706M2000</a> Collar(6m7)	<a href="#">Buy now</a>
43	<a href="#">682436590100</a> Shaft, reverse lock	<a href="#">Buy now</a>
45	<a href="#">9050626M0100</a> Spring, tension (682)	<a href="#">Buy now</a>
46	<a href="#">6E7431810000</a> Lever, tilt stop 1	<a href="#">Buy now</a>
47	<a href="#">682433180100</a> Cover	<a href="#">Buy now</a>
48	<a href="#">9010906M0300</a> Bolt (682)	<a href="#">Buy now</a>

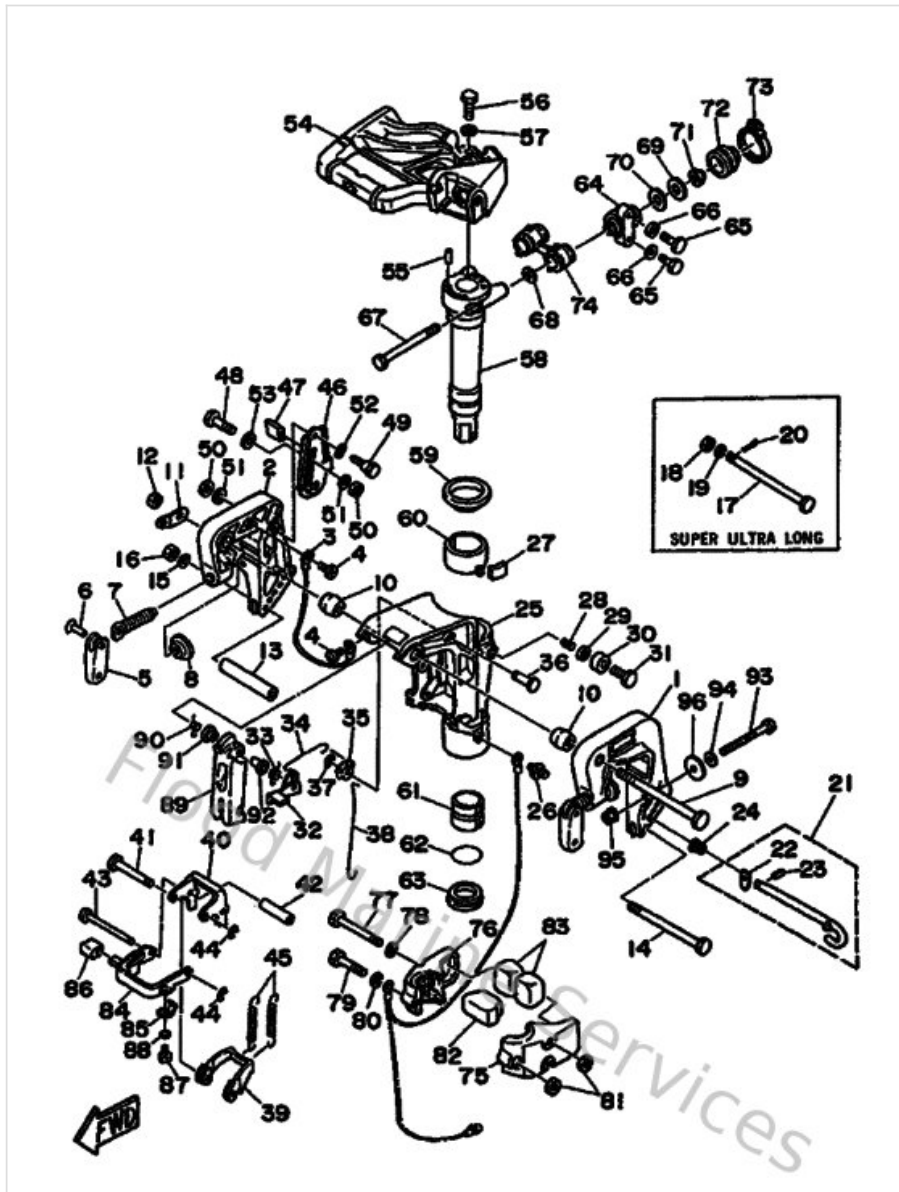


# Bracket 1



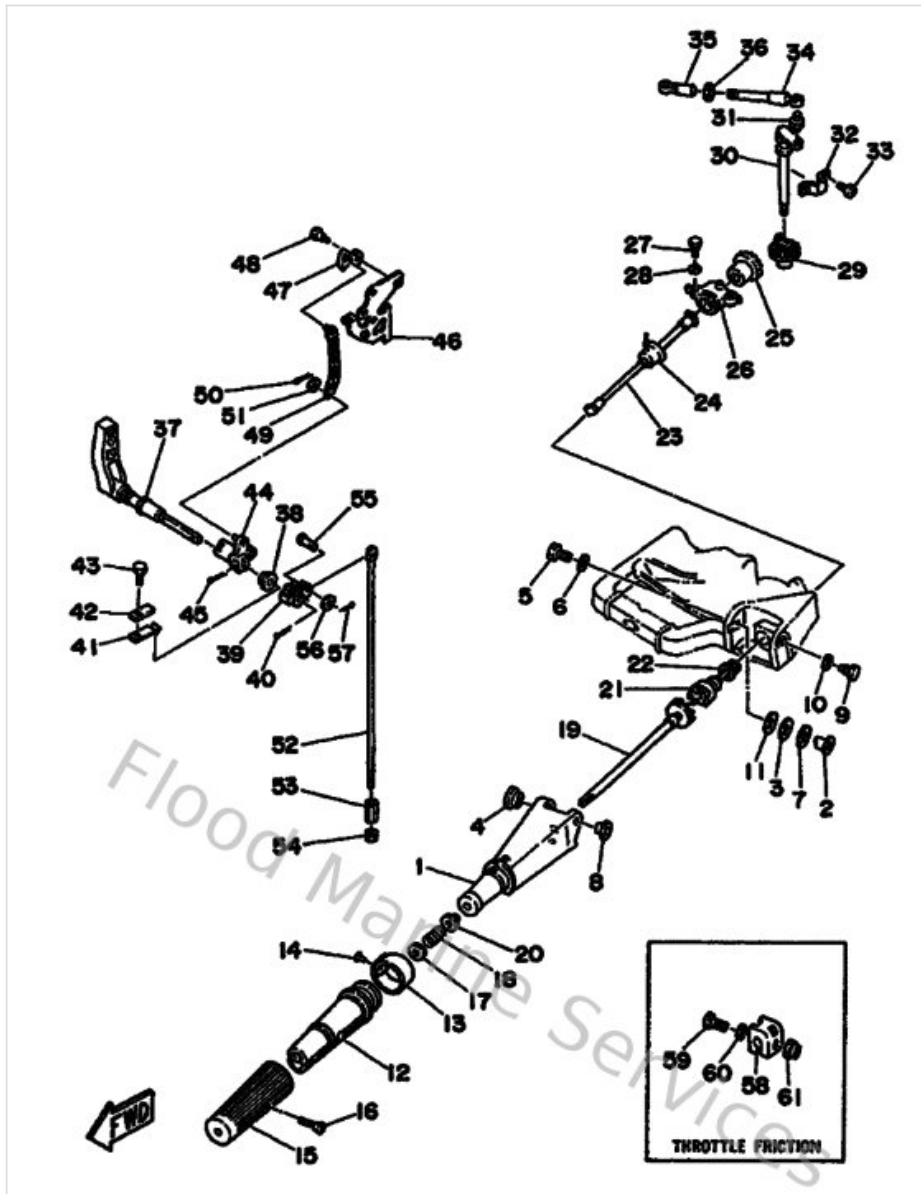
Ref	Part	
49	<a href="#">9010906M0500</a> Bolt (682)	<a href="#">Buy now</a>
50	<a href="#">956800610000</a> U-nut (6a5)	<a href="#">Buy now</a>
52	<a href="#">9020610M1500</a> Washer, wave (6e7)	<a href="#">Buy now</a>
53	<a href="#">682433390100</a> Washer	<a href="#">Buy now</a>
55	<a href="#">936061201900</a> Pin, dowel (614)	<a href="#">Buy now</a>
56	<a href="#">9010106M2700</a> Bolt	<a href="#">Buy now</a>
58	<a href="#">682425210094</a> Shaft, steering pivot	<a href="#">Buy now</a>
59	<a href="#">9020952M0100</a> Washer (682)	<a href="#">Buy now</a>
60	<a href="#">682425370000</a> Bushing, pivot shaft	<a href="#">Buy now</a>
61	<a href="#">9038640M0900</a> Bush (682)	<a href="#">Buy now</a>
62	<a href="#">9321040M1000</a> O-ring (682)	<a href="#">Buy now</a>
63	<a href="#">9038640M0800</a> Bush (682)	<a href="#">Buy now</a>
64	<a href="#">682445140094</a> Mount damper, upper side	<a href="#">Buy now</a>
67	<a href="#">9010108M3000</a> Bolt (682)	<a href="#">Buy now</a>
68	<a href="#">9020108M1200</a> Washer plate (682)	<a href="#">Buy now</a>

# Bracket 1



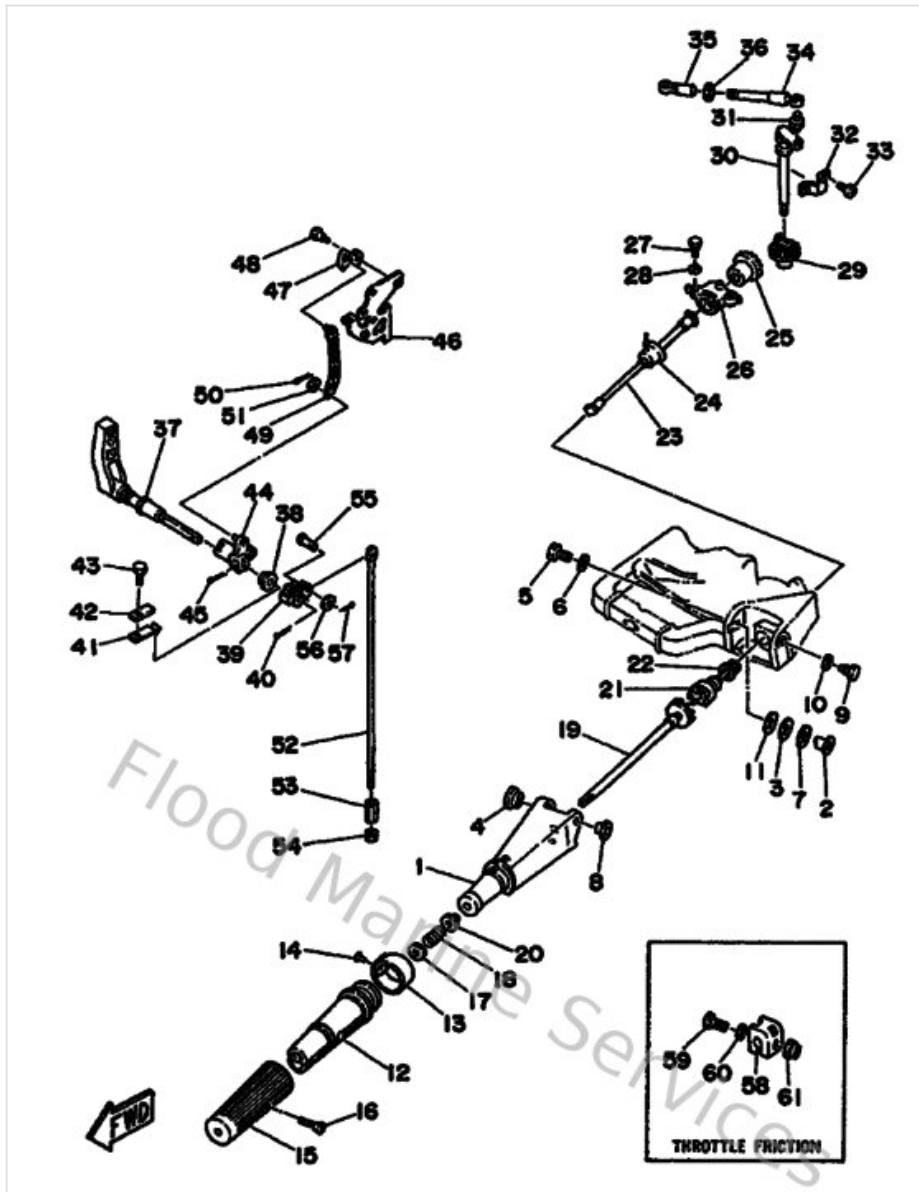
Ref	Part	
69	<a href="#">9020108M1300</a> Washer plate (682)	<a href="#">Buy now</a>
70	<a href="#">9020213M0200</a> Washer plate (682)	<a href="#">Buy now</a>
71	<a href="#">957800830000</a> Nut, nylon (6j8)	<a href="#">Buy now</a>
72	<a href="#">682445220100</a> Seal	<a href="#">Buy now</a>
73	<a href="#">9046042M0100</a> Clamp, Hose	<a href="#">Buy now</a>
74	<a href="#">682445210100</a> Seal	<a href="#">Buy now</a>
77	<a href="#">973950808500</a> Bolt, with washer	<a href="#">Buy now</a>
79	<a href="#">970950805500</a> Bolt, hexagon	<a href="#">Buy now</a>
81	<a href="#">953800870000</a> Nut(661)	<a href="#">Buy now</a>
82	<a href="#">682445570000</a> Mount damper, lower front	<a href="#">Buy now</a>
83	<a href="#">682445550000</a> Mount damper, lower side	<a href="#">Buy now</a>
85	<a href="#">682436430000</a> Spring	<a href="#">Buy now</a>
87	<a href="#">973950600800</a> Bolt (fj1)	<a href="#">Buy now</a>
91	<a href="#">903861002500</a> Bushing (658)	<a href="#">Buy now</a>
92	<a href="#">903861004500</a> Bush (663)	<a href="#">Buy now</a>

# Control 1



Ref	Part	
2	<a href="#">682421230100</a> Bolt, Handle Joint	<a href="#">Buy now</a>
3	<a href="#">9020612M0600</a> Washer, wave (682)	<a href="#">Buy now</a>
4	<a href="#">9038612M0700</a> Bush (682)	<a href="#">Buy now</a>
5	<a href="#">973950602500</a> Bolt	<a href="#">Buy now</a>
6	<a href="#">929900660000</a> Washer, plain (646)	<a href="#">Buy now</a>
7	<a href="#">902011218100</a> Washer Plate 6244218300	<a href="#">Buy now</a>
8	<a href="#">9038606M0600</a> Bush (682)	<a href="#">Buy now</a>
9	<a href="#">9010908M0100</a> Bolt (682)	<a href="#">Buy now</a>
10	<a href="#">929900860000</a> Washer, plain (663)	<a href="#">Buy now</a>
11	<a href="#">902021203100</a> Washer, plate 6484412600	<a href="#">Buy now</a>
12	<a href="#">664421190000</a> Grip, steering handle	<a href="#">Buy now</a>
13	<a href="#">6E8421370000</a> Indicator, Throttle	<a href="#">Buy now</a>
14	<a href="#">9026902M0900</a> Rivet(615)	<a href="#">Buy now</a>
15	<a href="#">6G1421770000</a> Rubber, handle	<a href="#">Buy now</a>
16	<a href="#">987800552500</a> Ybs53-525 screw,flat head	<a href="#">Buy now</a>

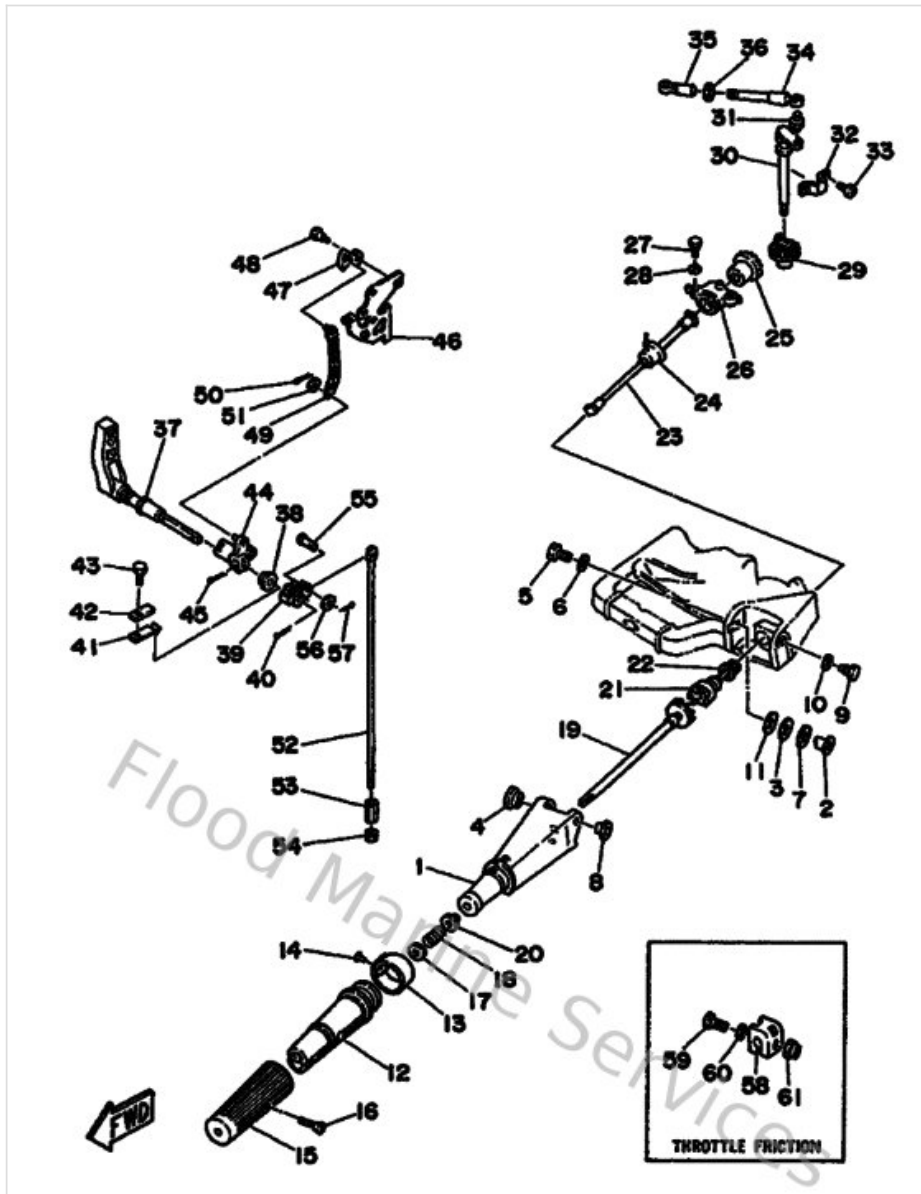
# Control 1



Ref	Part	
17	<a href="#">929901060000</a> Washer, plate	<a href="#">Buy now</a>
18	<a href="#">905012321500</a> Spring (655)	<a href="#">Buy now</a>
19	<a href="#">6E7421410094</a> Gear, knee 1	<a href="#">Buy now</a>
20	<a href="#">903860803200</a> Bushing (650)	<a href="#">Buy now</a>
21	<a href="#">682421420100</a> Gear, knee 2	<a href="#">Buy now</a>
22	<a href="#">9038620M7100</a> Bush(6M7)	<a href="#">Buy now</a>
23	<a href="#">682421160000</a> Shaft, steering handle 2	<a href="#">Buy now</a>
25	<a href="#">682421510100</a> Pinion	<a href="#">Buy now</a>
26	<a href="#">682421710100</a> Bushing	<a href="#">Buy now</a>
27	<a href="#">973130601600</a> Bolt, hexagon deep recess	<a href="#">Buy now</a>
28	<a href="#">929900620000</a> Ybs66-6 washer, plain	<a href="#">Buy now</a>
29	<a href="#">682421520100</a> Gear	<a href="#">Buy now</a>
30	<a href="#">682416310094</a> Lever, Magneto Control	<a href="#">Buy now</a>
31	<a href="#">663855180000</a> Joint, ball	<a href="#">Buy now</a>
32	<a href="#">682416610000</a> Bracket 1	<a href="#">Buy now</a>

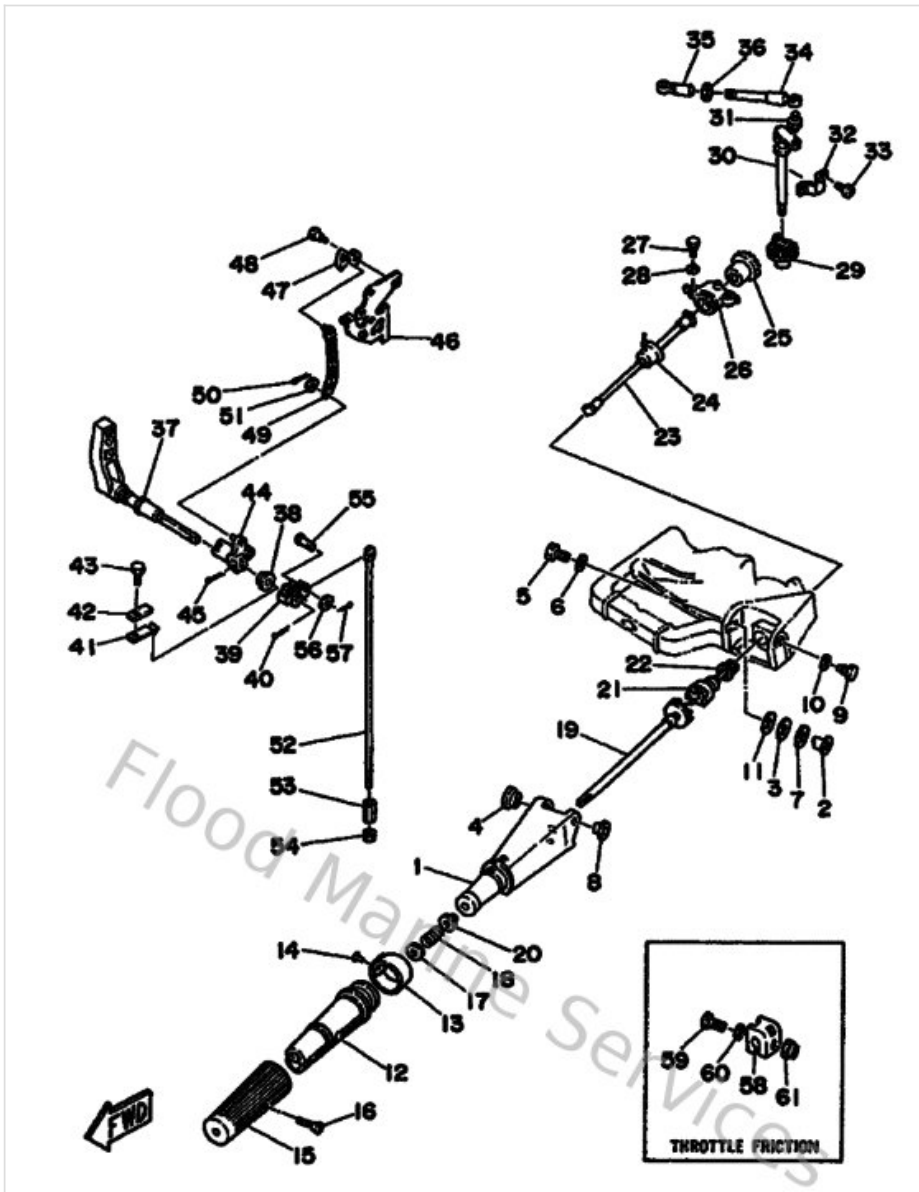


# Control 1



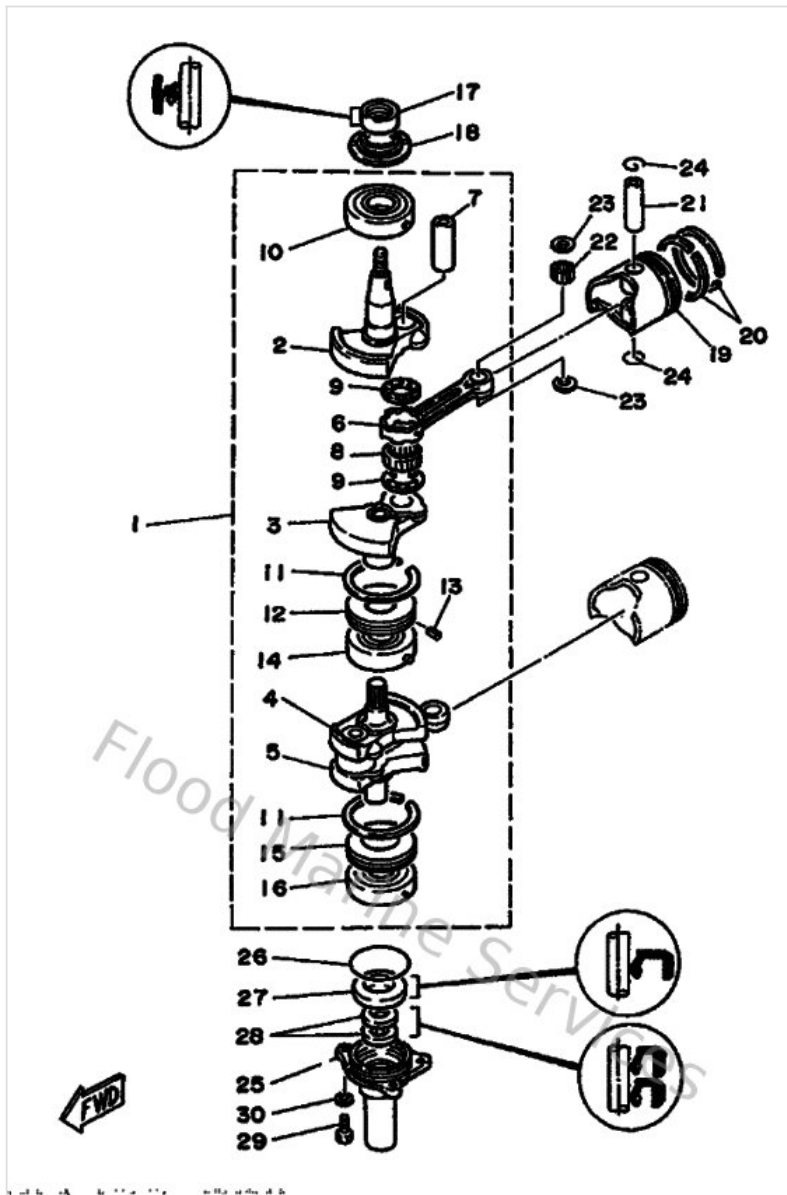
Ref	Part	
33	<a href="#">978030601000</a> Screw pan head	<a href="#">Buy now</a>
34	<a href="#">682412380100</a> Joint, link	<a href="#">Buy now</a>
35	<a href="#">682412370000</a> Joint, link 2	<a href="#">Buy now</a>
36	<a href="#">953800570000</a> Nut (656)	<a href="#">Buy now</a>
37	<a href="#">682441110194</a> Handle, gear shift	<a href="#">Buy now</a>
38	<a href="#">682441320000</a> Bushing	<a href="#">Buy now</a>
39	<a href="#">999990382000</a> Lever, Shift Rod	<a href="#">Buy now</a>
40	<a href="#">914902502000</a> Pin, cotter	<a href="#">Buy now</a>
41	<a href="#">682441160000</a> Spring	<a href="#">Buy now</a>
42	<a href="#">682441170000</a> Bracket 1	<a href="#">Buy now</a>
43	<a href="#">970130601200</a> Bolt(gh1)	<a href="#">Buy now</a>
44	<a href="#">682441250100</a> Lever, Shift Rod	<a href="#">Buy now</a>
46	<a href="#">682441180100</a> Bracket	<a href="#">Buy now</a>
48	<a href="#">9010906M0400</a> Bolt	<a href="#">Buy now</a>
50	<a href="#">914902001000</a> Pin, cotter	<a href="#">Buy now</a>

# Control 1



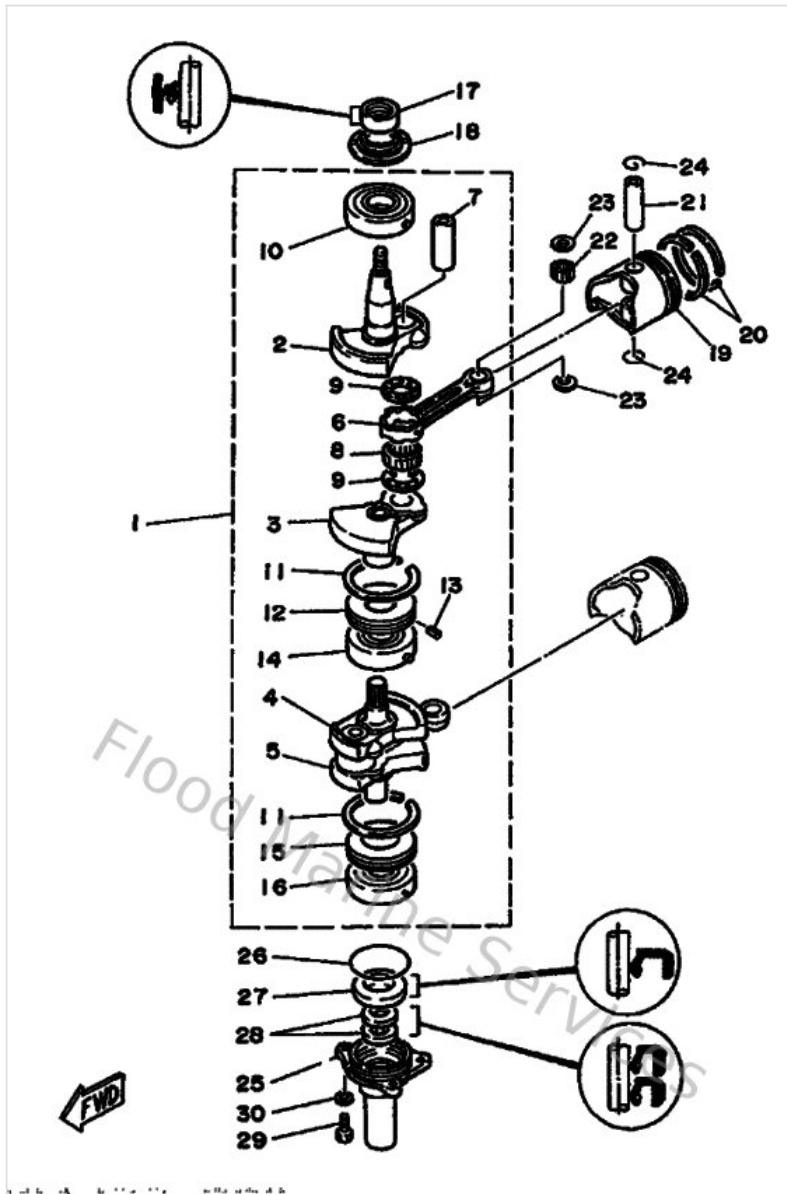
Ref	Part	
51	<a href="#">929900560000</a> Washer, plain (646)	<a href="#">Buy now</a>
52	<a href="#">682441430000</a> Rod, Shift	<a href="#">Buy now</a>
53	<a href="#">901700601500</a> Connector, shift rod	<a href="#">Buy now</a>
54	<a href="#">9538R0670000</a> Nut	<a href="#">Buy now</a>
55	<a href="#">917900502000</a> Pin, Clevis	<a href="#">Buy now</a>
57	<a href="#">914901601000</a> Pin, cotter	<a href="#">Buy now</a>
58	<a href="#">656421260100</a> Piece, friction	<a href="#">Buy now</a>
59	<a href="#">973950602000</a> Bolt(7u8)	<a href="#">Buy now</a>
61	<a href="#">901850606200</a> Nut selflocking (656)	<a href="#">Buy now</a>

# Crankshaft & Piston



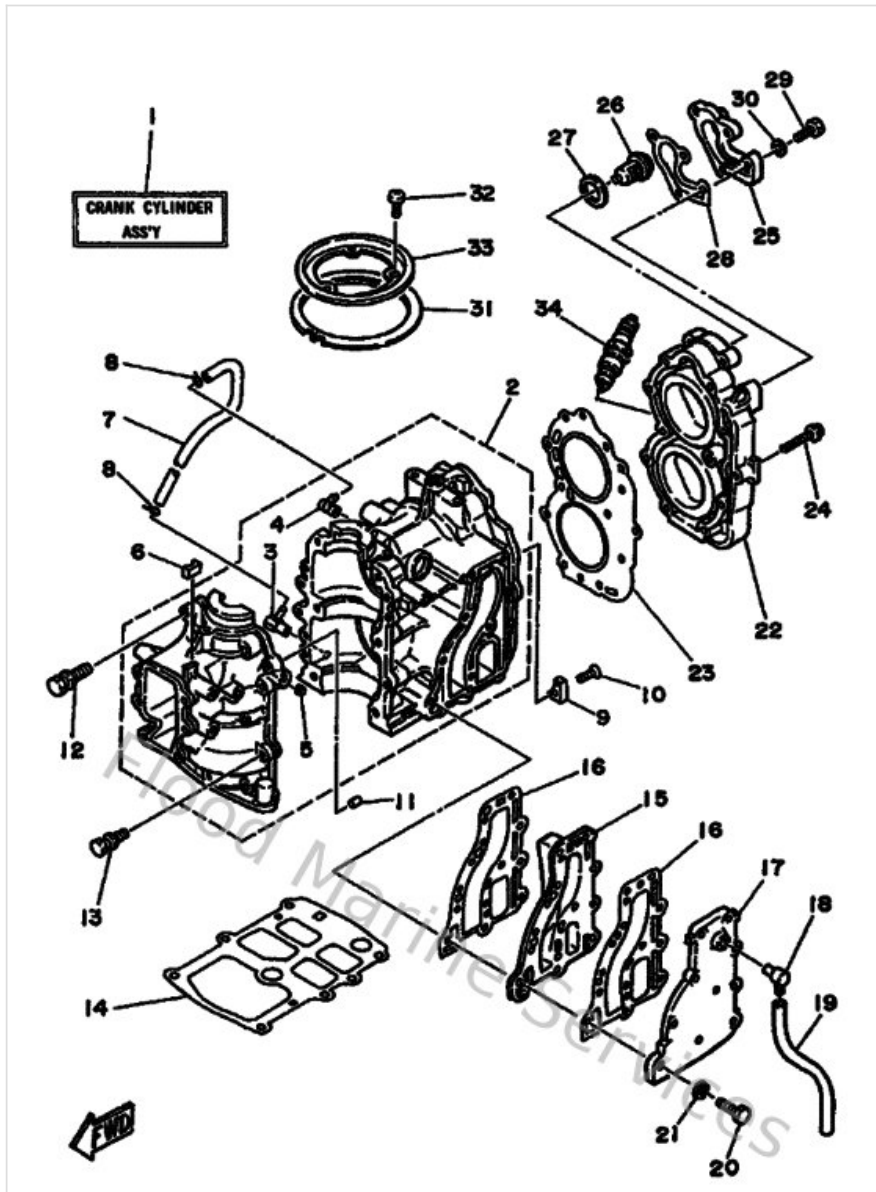
Ref	Part	
1	<a href="#">682114000200</a> Crankshaft Assembly	<a href="#">Buy now</a>
2	<a href="#">682114120100</a> Crank 1	<a href="#">Buy now</a>
3	<a href="#">6K4114320000</a> Crank 3	<a href="#">Buy now</a>
4	<a href="#">6K4114220000</a> Crank 2	<a href="#">Buy now</a>
5	<a href="#">682114420100</a> Crank 4	<a href="#">Buy now</a>
6	<a href="#">650116510400</a> Rod, connecting	<a href="#">Buy now</a>
7	<a href="#">682116810000</a> Pin crank	<a href="#">Buy now</a>
8	<a href="#">93310620V500</a> Bearing, big end (682)	<a href="#">Buy now</a>
9	<a href="#">902092015900</a> Washer, crank pin (1h9)	<a href="#">Buy now</a>
10	<a href="#">93306205U200</a> Bearing(6e8)	<a href="#">Buy now</a>
11	<a href="#">9344057M0100</a> Circlip (682)	<a href="#">Buy now</a>
12	<a href="#">682115150200</a> Seal, labyrinth 1	<a href="#">Buy now</a>
13	<a href="#">916902000800</a> Pin, spring	<a href="#">Buy now</a>
14	<a href="#">93304205U000</a> Brg,r-b 4205 57mm 238g (682)	<a href="#">Buy now</a>
15	<a href="#">682115250000</a> Seal labyrinth 2	<a href="#">Buy now</a>

# Crankshaft & Piston



Ref	Part	
16	<a href="#">93306304U000</a> Brg,r-b 6304 57mm (682)	<a href="#">Buy now</a>
17	<a href="#">9311023M0000</a> Oil seal (682)	<a href="#">Buy now</a>
18	<a href="#">682114450000</a> Spacer	<a href="#">Buy now</a>
19	<a href="#">6E7116310097</a> Piston (std)	<a href="#">Buy now</a>
20	<a href="#">682116100100</a> Piston ring set (std)	<a href="#">Buy now</a>
21	<a href="#">634116330000</a> Pin, piston	<a href="#">Buy now</a>
22	<a href="#">936021410400</a> Pin, dowel	<a href="#">Buy now</a>
23	<a href="#">902011437700</a> Washer, plate	<a href="#">Buy now</a>
24	<a href="#">934501502300</a> Circlip 131116340000	<a href="#">Buy now</a>
25	<a href="#">68215396035B</a> Housing, oil seal	<a href="#">Buy now</a>
26	<a href="#">932105367900</a> O-ring(50m)	<a href="#">Buy now</a>
27	<a href="#">9310120M3400</a> Oil seal(6j1)	<a href="#">Buy now</a>
28	<a href="#">9310113M1100</a> Oil seal (682)	<a href="#">Buy now</a>
29	<a href="#">973950601600</a> Bolt, hexagon deep recess	<a href="#">Buy now</a>
30	<a href="#">929900660000</a> Washer, plain (646)	<a href="#">Buy now</a>

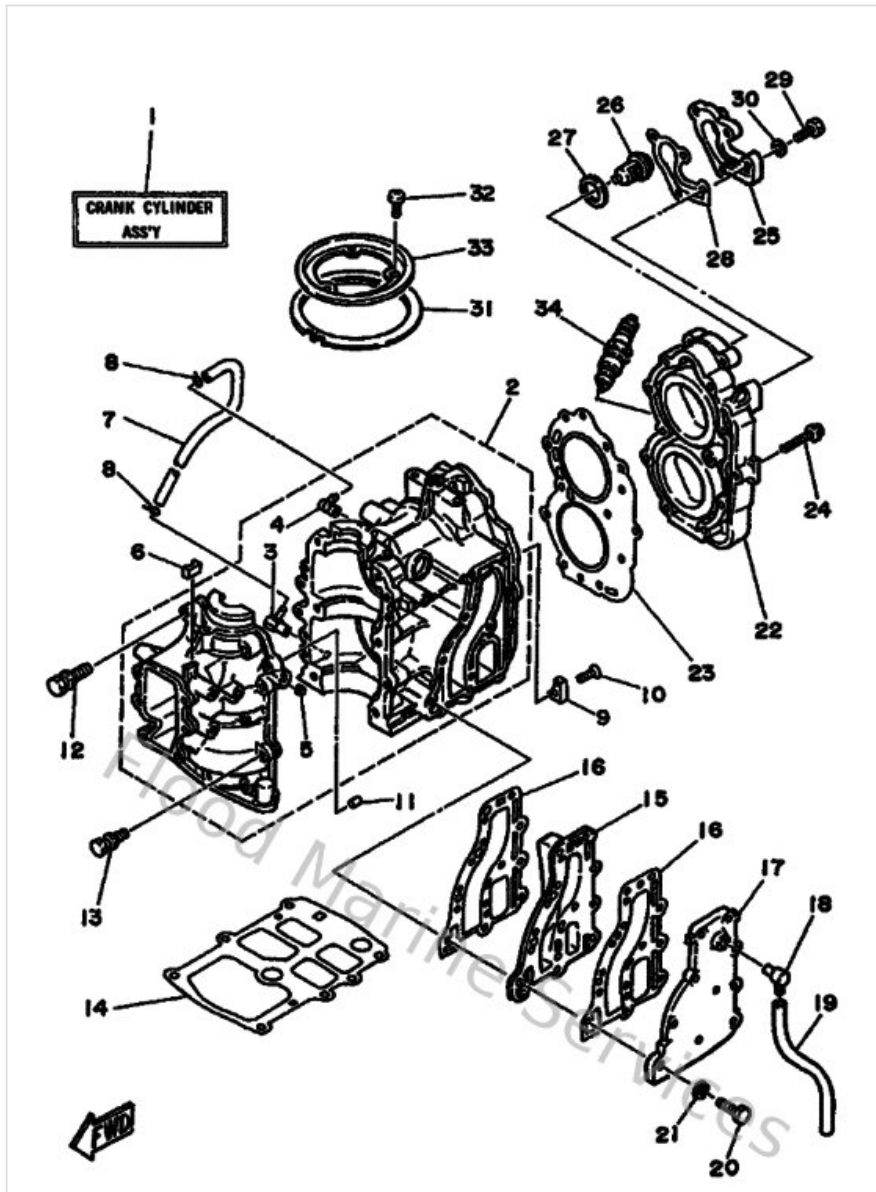
# Cylinder & Crankcase



Ref	Part	
2	<a href="#">6E7151000094</a> Crankcase Assembly	<a href="#">Buy now</a>
3	<a href="#">650113700000</a> Check valve assembly	<a href="#">Buy now</a>
4	<a href="#">650144850200</a> Pipe, joint	<a href="#">Buy now</a>
5	<a href="#">624113790000</a> Valve, check	<a href="#">Buy now</a>
6	<a href="#">682416150000</a> Stopper, Magneto Base	<a href="#">Buy now</a>
7	<a href="#">9044507M0800</a> Hose (I390)	<a href="#">Buy now</a>
8	<a href="#">904670601600</a> Clip (655)	<a href="#">Buy now</a>
9	<a href="#">682113250000</a> Anode 1	<a href="#">Buy now</a>
10	<a href="#">987800501600</a> Ybs53-516 screw, flat head	<a href="#">Buy now</a>
11	<a href="#">936061201900</a> Pin, dowel (614)	<a href="#">Buy now</a>
13	<a href="#">9011906M1300</a> Bolt, with washer (682)	<a href="#">Buy now</a>
14	<a href="#">682113510200</a> Gasket, cylinder	<a href="#">Buy now</a>
15	<a href="#">68241111009M</a> Inner caver, exhaust	<a href="#">Buy now</a>
16	<a href="#">68241112A100</a> Gasket, exhaust inner cover	<a href="#">Buy now</a>
17	<a href="#">68241113009M</a> Outer Cover, Exhaust	<a href="#">Buy now</a>

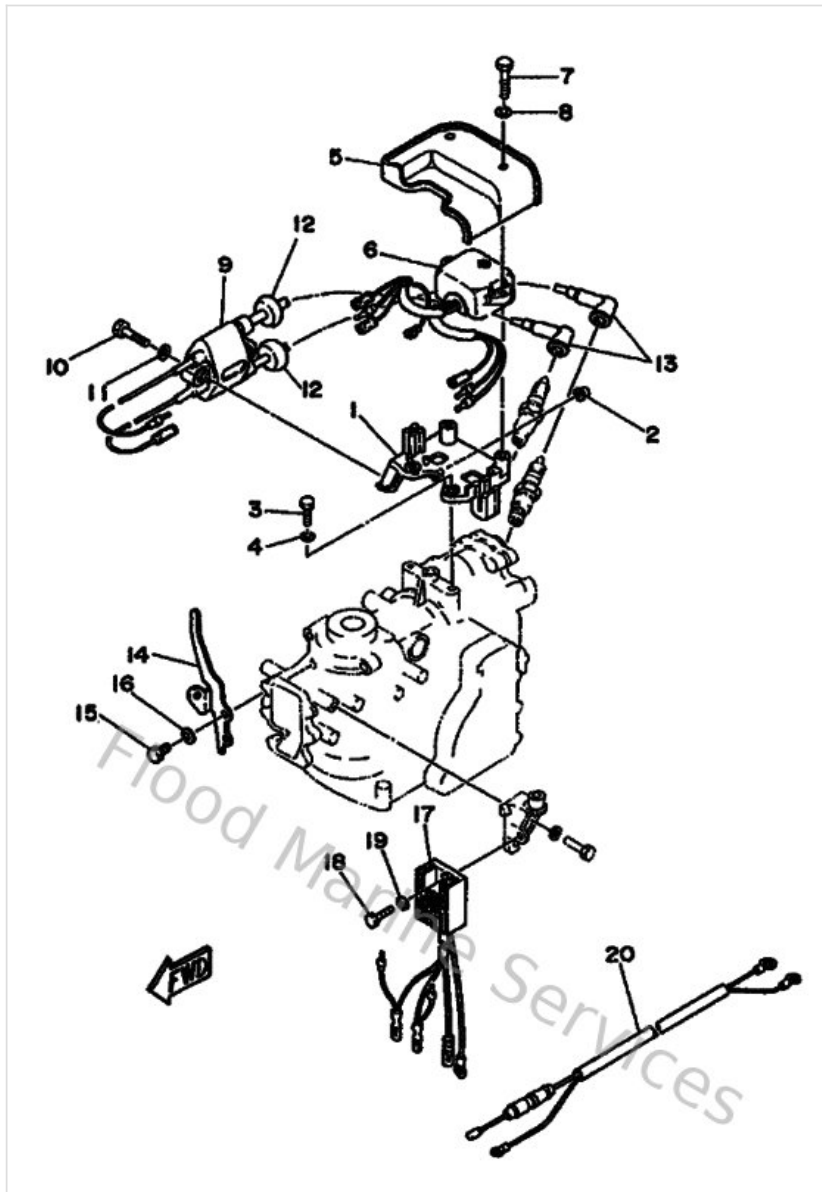


# Cylinder & Crankcase



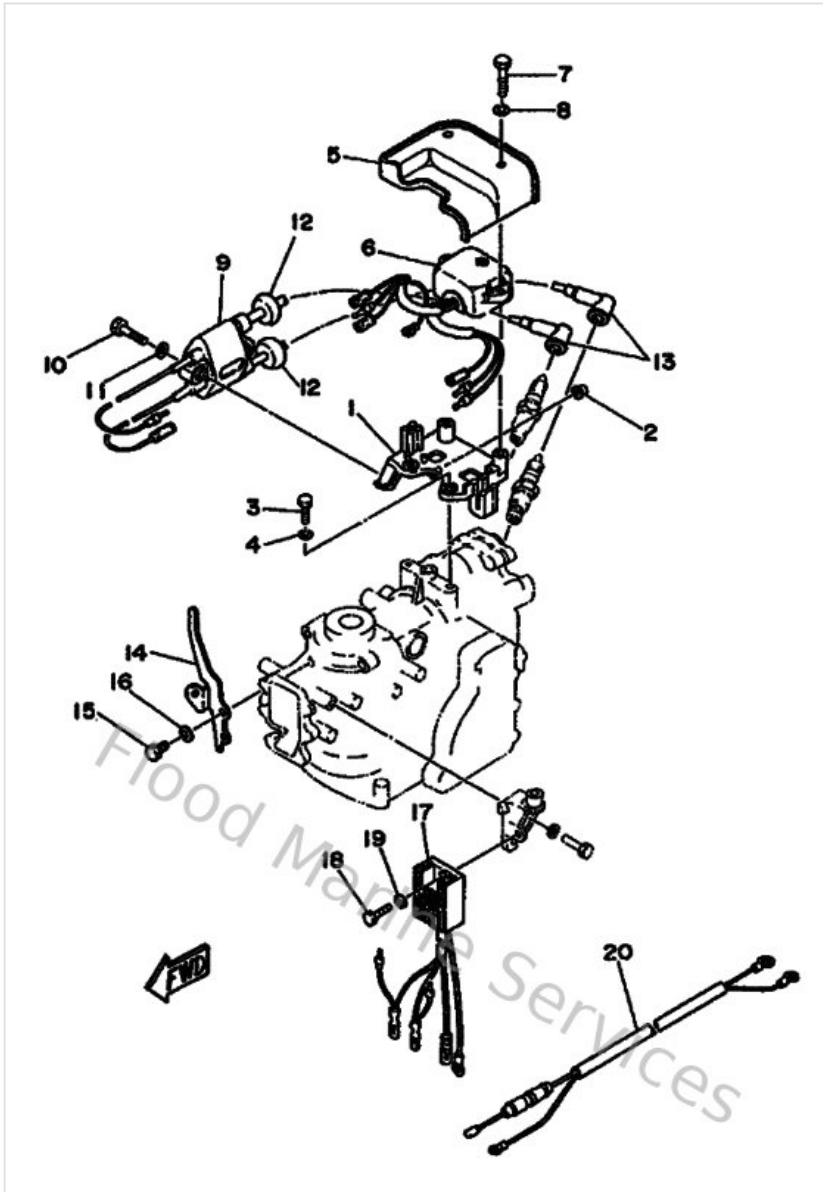
Ref	Part	
18	<a href="#">676113720000</a> Nipple, hose	<a href="#">Buy now</a>
19	<a href="#">904450901000</a> Hose (L260)	<a href="#">Buy now</a>
20	<a href="#">973130602500</a> Bolt	<a href="#">Buy now</a>
21	<a href="#">929900660000</a> Washer, plain (646)	<a href="#">Buy now</a>
22	<a href="#">6E7111110094</a> Head, cylinder 1	<a href="#">Buy now</a>
23	<a href="#">6E711181A200</a> Gasket, cylinder head 1	<a href="#">Buy now</a>
24	<a href="#">9010507M0500</a> Bolt (682)	<a href="#">Buy now</a>
25	<a href="#">68212413009M</a> Cover, thermostat	<a href="#">Buy now</a>
26	<a href="#">6F5124110300</a> Thermostat	<a href="#">Buy now</a>
27	<a href="#">902012156700</a> Washer, plate (650)	<a href="#">Buy now</a>
28	<a href="#">682124140000</a> Gasket, cover	<a href="#">Buy now</a>
29	<a href="#">970800602000</a> Bolt(7u8)	<a href="#">Buy now</a>
32	<a href="#">978030601000</a> Screw pan head	<a href="#">Buy now</a>
33	<a href="#">682416110000</a> Retainer, Magneto Base	<a href="#">Buy now</a>
34	<a href="#">947020027100</a> Plug, spark (br7hs-10)	<a href="#">Buy now</a>

# Electric Parts



Ref	Part	
1	<a href="#">6E7855420094</a> Bracket	<a href="#">Buy now</a>
2	<a href="#">6E7823170000</a> Damper	<a href="#">Buy now</a>
3	<a href="#">973130602000</a> Bolt(7u8)	<a href="#">Buy now</a>
4	<a href="#">929900660000</a> Washer, plain (646)	<a href="#">Buy now</a>
5	<a href="#">6E7819160000</a> Cover, Terminal	<a href="#">Buy now</a>
6	<a href="#">695855401200</a> C.d.i. unit assembly	<a href="#">Buy now</a>
7	<a href="#">973950603000</a> Bolt(jf7)	<a href="#">Buy now</a>
8	<a href="#">929900620000</a> Ybs66-6 washer, plain	<a href="#">Buy now</a>
9	<a href="#">6E7855701900</a> Ignition coil assembly	<a href="#">Buy now</a>
10	<a href="#">970800603000</a> Bolt(jf7)	<a href="#">Buy now</a>
12	<a href="#">904802516100</a> Grommet(656)	<a href="#">Buy now</a>
13	<a href="#">6E3823702000</a> Plug cap assembly	<a href="#">Buy now</a>
14	<a href="#">682813320200</a> Plate, Timing	<a href="#">Buy now</a>
15	<a href="#">970950601600</a> Bolt, hexagon deep recess	<a href="#">Buy now</a>
17	<a href="#">6J8819600000</a> Rectifier & regulator assembly	<a href="#">Buy now</a>

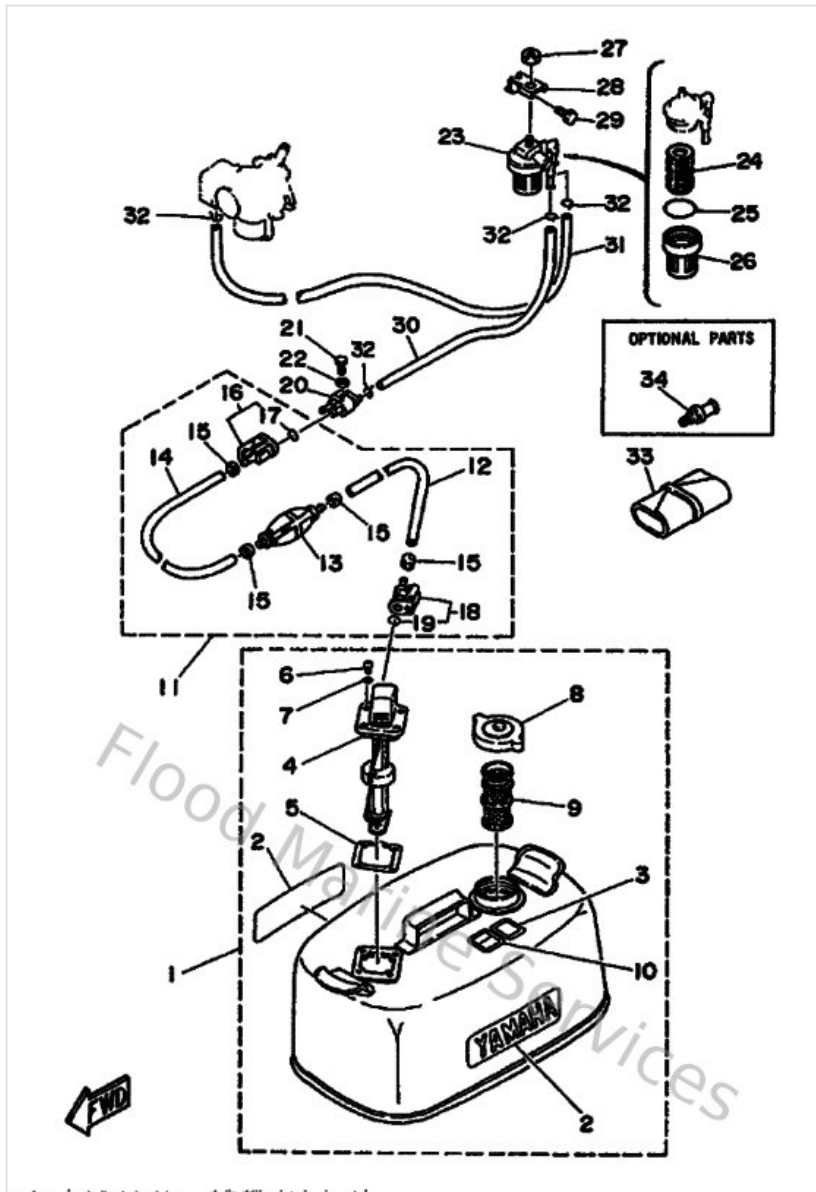
# Electric Parts



Ref	Part	
18	<a href="#">973950601600</a> Bolt, hexagon deep recess	<a href="#">Buy now</a>
20	<a href="#">6J8821051000</a> Battery cable	<a href="#">Buy now</a>

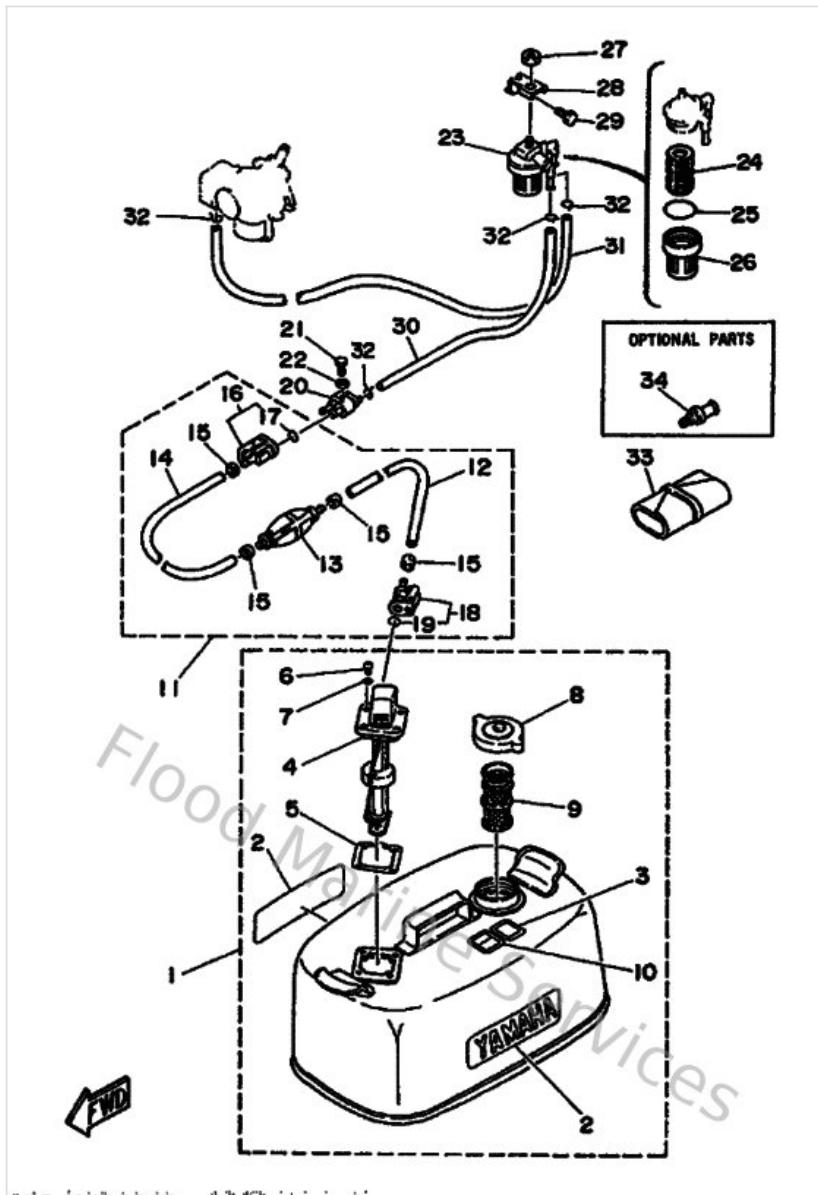


# Fuel



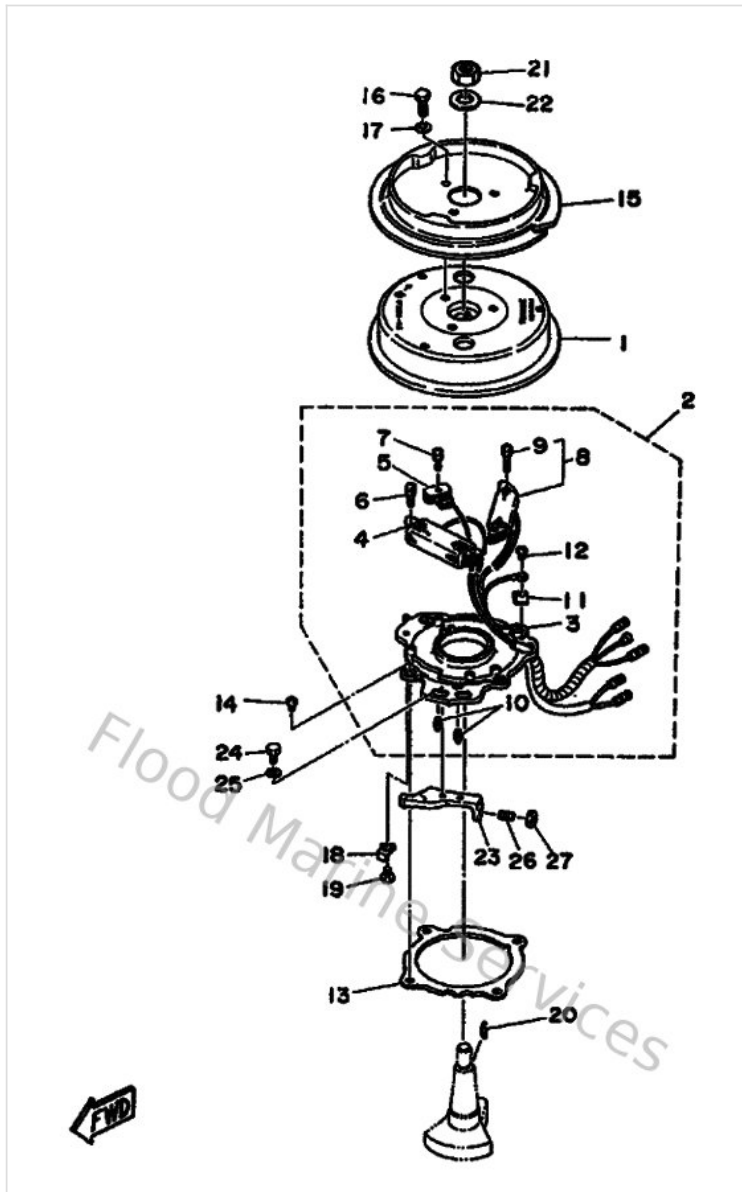
Ref	Part	
4	<a href="#">6Y1242600200</a> Fuel meter assembly	<a href="#">Buy now</a>
5	<a href="#">6Y1242680000</a> Gasket, fuel meter	<a href="#">Buy now</a>
6	<a href="#">985860501600</a> Screw, pan head	<a href="#">Buy now</a>
7	<a href="#">6Y1243290000</a> Seal	<a href="#">Buy now</a>
8	<a href="#">6Y1246100000</a> Cap assembly	<a href="#">Buy now</a>
9	<a href="#">6Y1241670000</a> Strainer	<a href="#">Buy now</a>
10	<a href="#">6Y1242558000</a> Graphic, Fuel Tank 8	<a href="#">Buy now</a>
11	<a href="#">6Y1243060500</a> Fuel pipe comp. 1	<a href="#">Buy now</a>
12	<a href="#">9044511M0600</a> Hose (I3000)	<a href="#">Buy now</a>
13	<a href="#">6YL243606300</a> Primer pump assembly	<a href="#">Buy now</a>
14	<a href="#">9044511M0500</a> Hose (I1000)	<a href="#">Buy now</a>
15	<a href="#">650243510100</a> Band 1	<a href="#">Buy now</a>
16	<a href="#">6G1243050500</a> Fuel pipe joint comp. 2	<a href="#">Buy now</a>
17	<a href="#">932100828700</a> O-ring (655)	<a href="#">Buy now</a>
18	<a href="#">6Y1243050100</a> Fuel pipe joint comp. 2	<a href="#">Buy now</a>

# Fuel



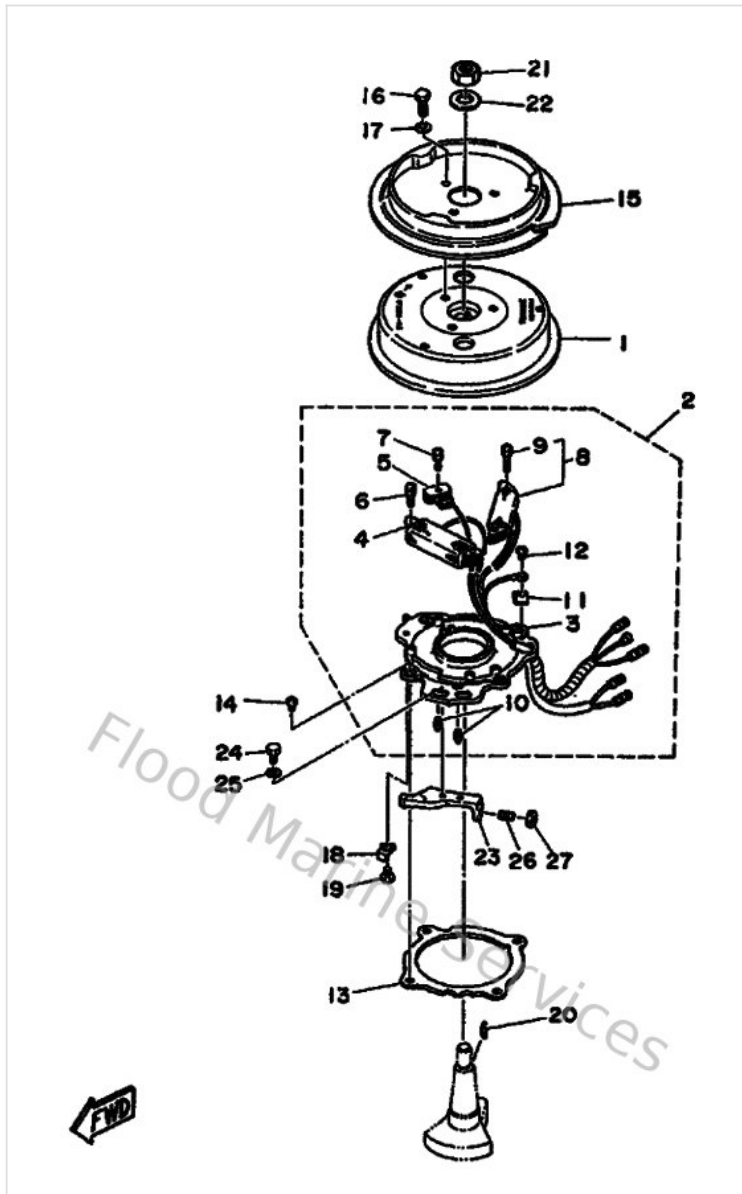
Ref	Part	
20	<a href="#">6G1243041000</a> Fuel pipe joint comp. 1	<a href="#">Buy now</a>
21	<a href="#">973950602000</a> Bolt(7u8)	<a href="#">Buy now</a>
22	<a href="#">929900660000</a> Washer, plain (646)	<a href="#">Buy now</a>
23	<a href="#">655245600100</a> Filter assembly	<a href="#">Buy now</a>
24	<a href="#">6F5245630000</a> Element, filter	<a href="#">Buy now</a>
25	<a href="#">9321037M2500</a> O-ring (655)	<a href="#">Buy now</a>
27	<a href="#">953800860000</a> Nut (661)	<a href="#">Buy now</a>
28	<a href="#">682245660100</a> Bracket, filter	<a href="#">Buy now</a>
29	<a href="#">973130601000</a> Bolt	<a href="#">Buy now</a>
30	<a href="#">9044509M5300</a> Hose (l180)	<a href="#">Buy now</a>
31	<a href="#">90445090F600</a> Hose (l1500)	<a href="#">Buy now</a>
32	<a href="#">904670800400</a> Clip, pipe 6162435600	<a href="#">Buy now</a>
33	<a href="#">656W28100100</a> Tool kit	<a href="#">Buy now</a>
34	<a href="#">6E0281930094</a> Plug, water check	<a href="#">Buy now</a>

# Generator



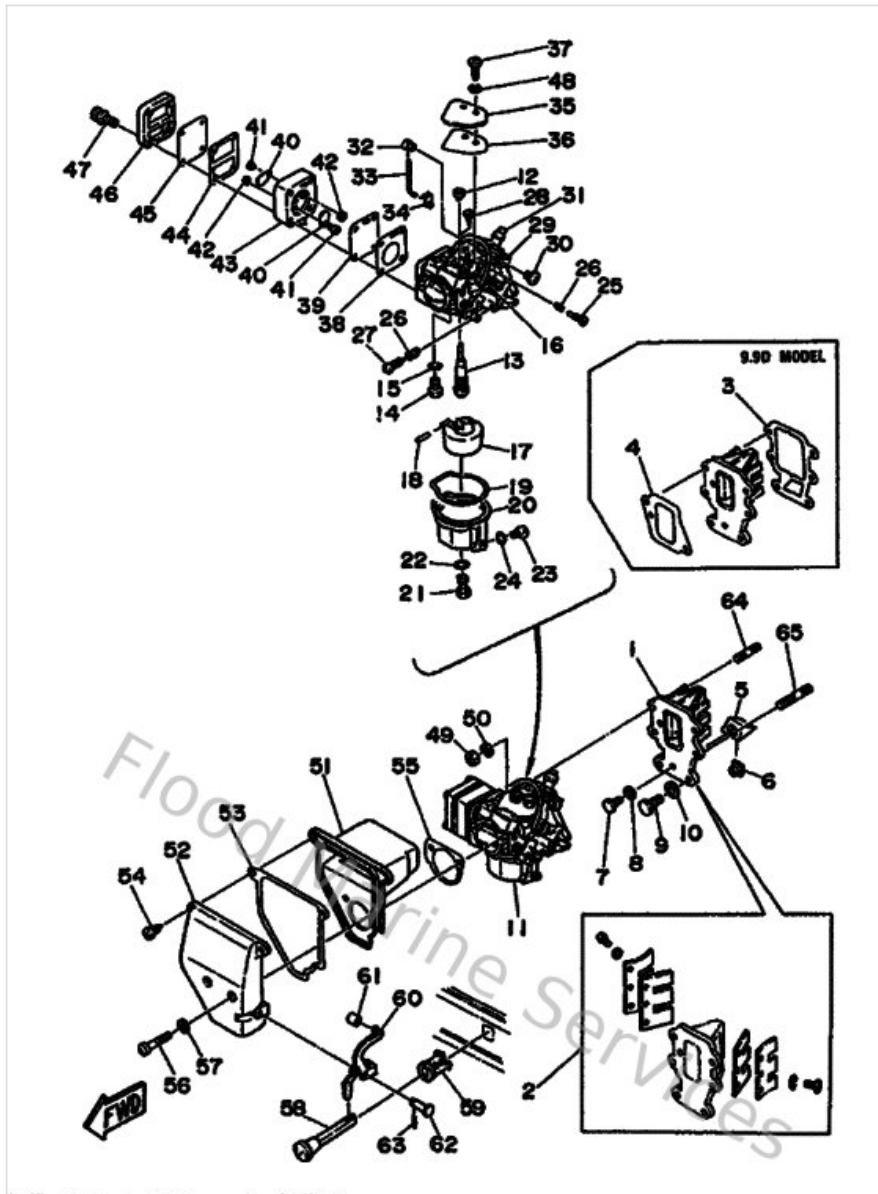
Ref	Part	
1	<a href="#">6E7855507000</a> Rotor ass'y	<a href="#">Buy now</a>
3	<a href="#">6E7855097000</a> Base, Magneto	<a href="#">Buy now</a>
4	<a href="#">6E7855207000</a> Coil assembly	<a href="#">Buy now</a>
5	<a href="#">6E7855807000</a> Pulser coil ass'y	<a href="#">Buy now</a>
6	<a href="#">901590503900</a> Screw panhead (695)	<a href="#">Buy now</a>
7	<a href="#">985070501600</a> Screw, pan head(jj6)	<a href="#">Buy now</a>
8	<a href="#">6E781303A000</a> Lighting coil ass'y	<a href="#">Buy now</a>
10	<a href="#">663855180000</a> Joint, ball	<a href="#">Buy now</a>
12	<a href="#">985010400600</a> Screw, pan head	<a href="#">Buy now</a>
13	<a href="#">682416130200</a> Plate, Base Friction	<a href="#">Buy now</a>
14	<a href="#">985800500800</a> Screw, pan head (7g3)	<a href="#">Buy now</a>
15	<a href="#">6E7157230094</a> Pully, starter	<a href="#">Buy now</a>
16	<a href="#">970800601200</a> Bolt(gh1)	<a href="#">Buy now</a>
17	<a href="#">929900660000</a> Washer, plain (646)	<a href="#">Buy now</a>
19	<a href="#">973900501000</a> Bolt (682)	<a href="#">Buy now</a>

# Generator



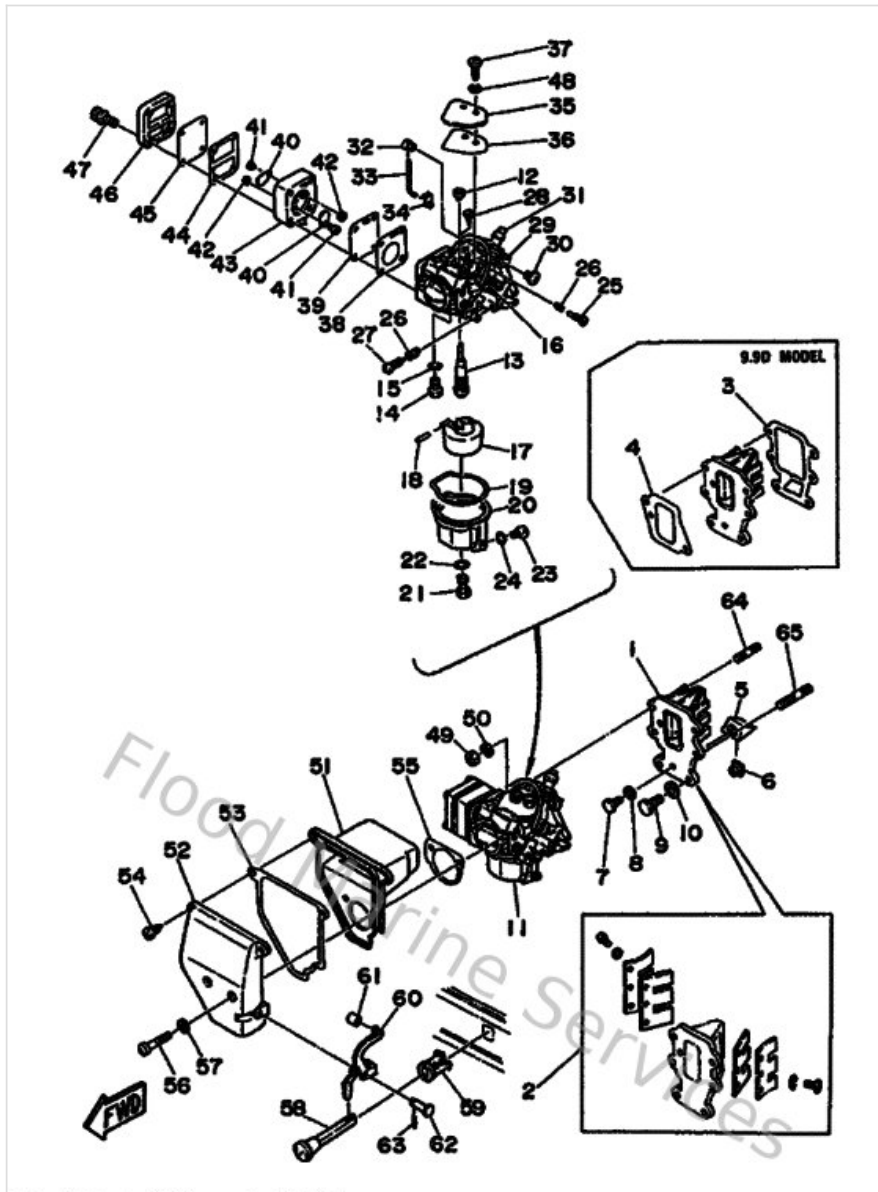
Ref	Part	
20	<a href="#">902800501300</a> Key, woodruff	<a href="#">Buy now</a>
21	<a href="#">901701206600</a> Nut, hexagon 6481155500	<a href="#">Buy now</a>
22	<a href="#">90201126A700</a> Washer, plate (4n0)	<a href="#">Buy now</a>
23	<a href="#">6E8412130094</a> Cam, Accel	<a href="#">Buy now</a>
24	<a href="#">973950501000</a> Bolt (682)	<a href="#">Buy now</a>
25	<a href="#">929900560000</a> Washer, plain (646)	<a href="#">Buy now</a>
26	<a href="#">9011305M0000</a> Bolt, Set	<a href="#">Buy now</a>
27	<a href="#">953800570000</a> Nut (656)	<a href="#">Buy now</a>

# Intake



Ref	Part	
1	<a href="#">6E7136107100</a> Reed Valve Assembly	<a href="#">Buy now</a>
2	<a href="#">6E7W00047000</a> Reed Set	<a href="#">Buy now</a>
3	<a href="#">682136210000</a> Gasket, valve seat	<a href="#">Buy now</a>
4	<a href="#">67714198A100</a> Gasket	<a href="#">Buy now</a>
5	<a href="#">6E7136250000</a> Spacer, Reed Valve	<a href="#">Buy now</a>
6	<a href="#">6E7135880100</a> Nut	<a href="#">Buy now</a>
7	<a href="#">970130601200</a> Bolt(gh1)	<a href="#">Buy now</a>
8	<a href="#">929900660000</a> Washer, plain (646)	<a href="#">Buy now</a>
9	<a href="#">973130601600</a> Bolt, hexagon deep recess	<a href="#">Buy now</a>
11	<a href="#">6E8143010500</a> Carbretor assembly	<a href="#">Buy now</a>
12	<a href="#">6E7143422600</a> Jet, Pilot #52 (#52)	<a href="#">Buy now</a>
13	<a href="#">6E8143410000</a> Nozzle Main	<a href="#">Buy now</a>
14	<a href="#">6E8143901200</a> Needle valve assembly	<a href="#">Buy now</a>
15	<a href="#">367141950000</a> Washer, valve seat	<a href="#">Buy now</a>
16	<a href="#">367143960000</a> Pipe, over flow	<a href="#">Buy now</a>

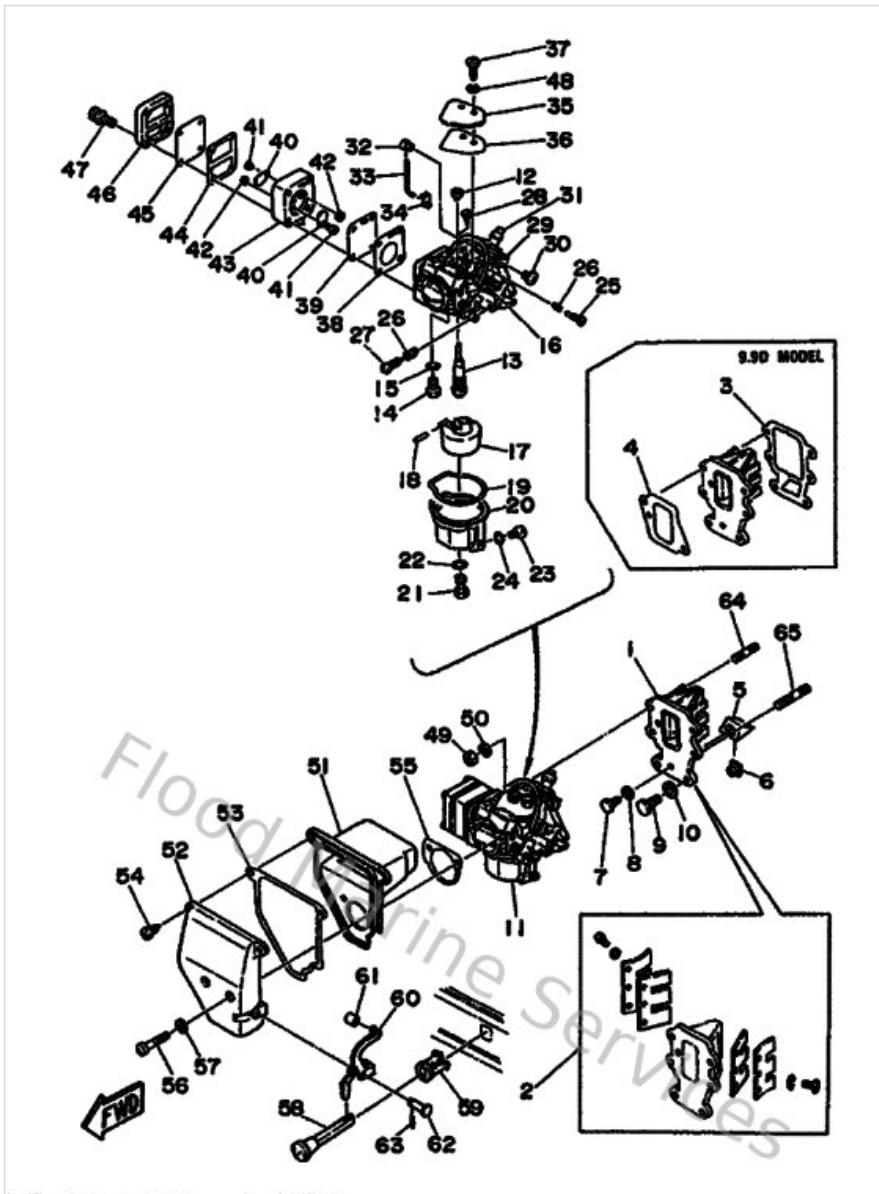
# Intake



Ref	Part	
17	<a href="#">6E7143850000</a> Float	<a href="#">Buy now</a>
18	<a href="#">647143861000</a> Pin, float	<a href="#">Buy now</a>
19	<a href="#">677143840100</a> Gasket, float chamber	<a href="#">Buy now</a>
20	<a href="#">6E7143810000</a> Body, float chamber	<a href="#">Buy now</a>
21	<a href="#">677143435200</a> Jet Main (#104)	<a href="#">Buy now</a>
22	<a href="#">1J2143980000</a> Packing	<a href="#">Buy now</a>
24	<a href="#">655143980000</a> Gasket	<a href="#">Buy now</a>
25	<a href="#">647143230000</a> Screw, air adjusting	<a href="#">Buy now</a>
26	<a href="#">646142120100</a> Spring, pilot adjusting	<a href="#">Buy now</a>
27	<a href="#">985030401400</a> Screw, pan head(ga5)	<a href="#">Buy now</a>
28	<a href="#">647143260000</a> Screw, guide	<a href="#">Buy now</a>
29	<a href="#">682412100000</a> Axle arm assembly (carb.)	<a href="#">Buy now</a>
30	<a href="#">677143270000</a> Screw	<a href="#">Buy now</a>
31	<a href="#">682412910000</a> Bushing	<a href="#">Buy now</a>
64	<a href="#">901160613000</a> Bolt, stud	<a href="#">Buy now</a>

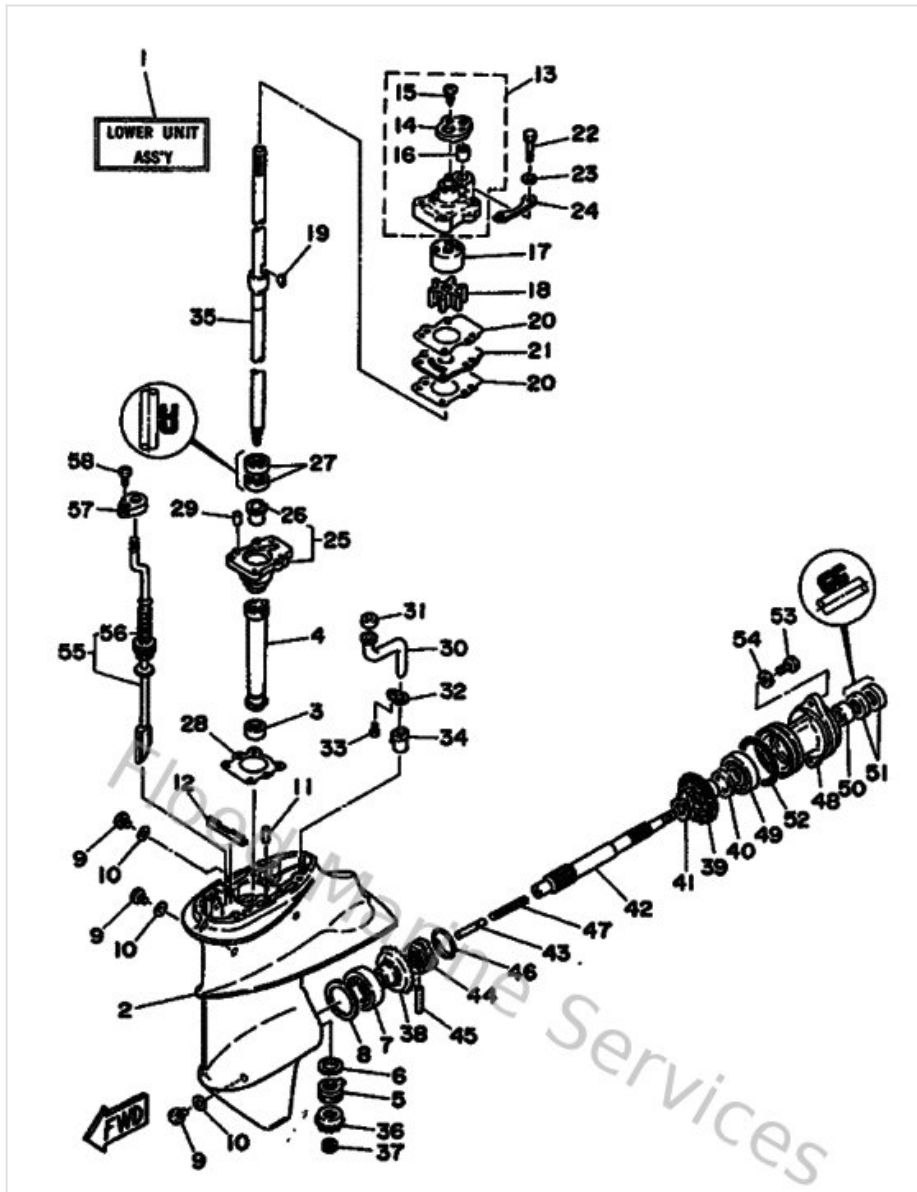


# Intake



Ref	Part	
65	<a href="#">9011606M0400</a> Bolt, stud (682)	<a href="#">Buy now</a>

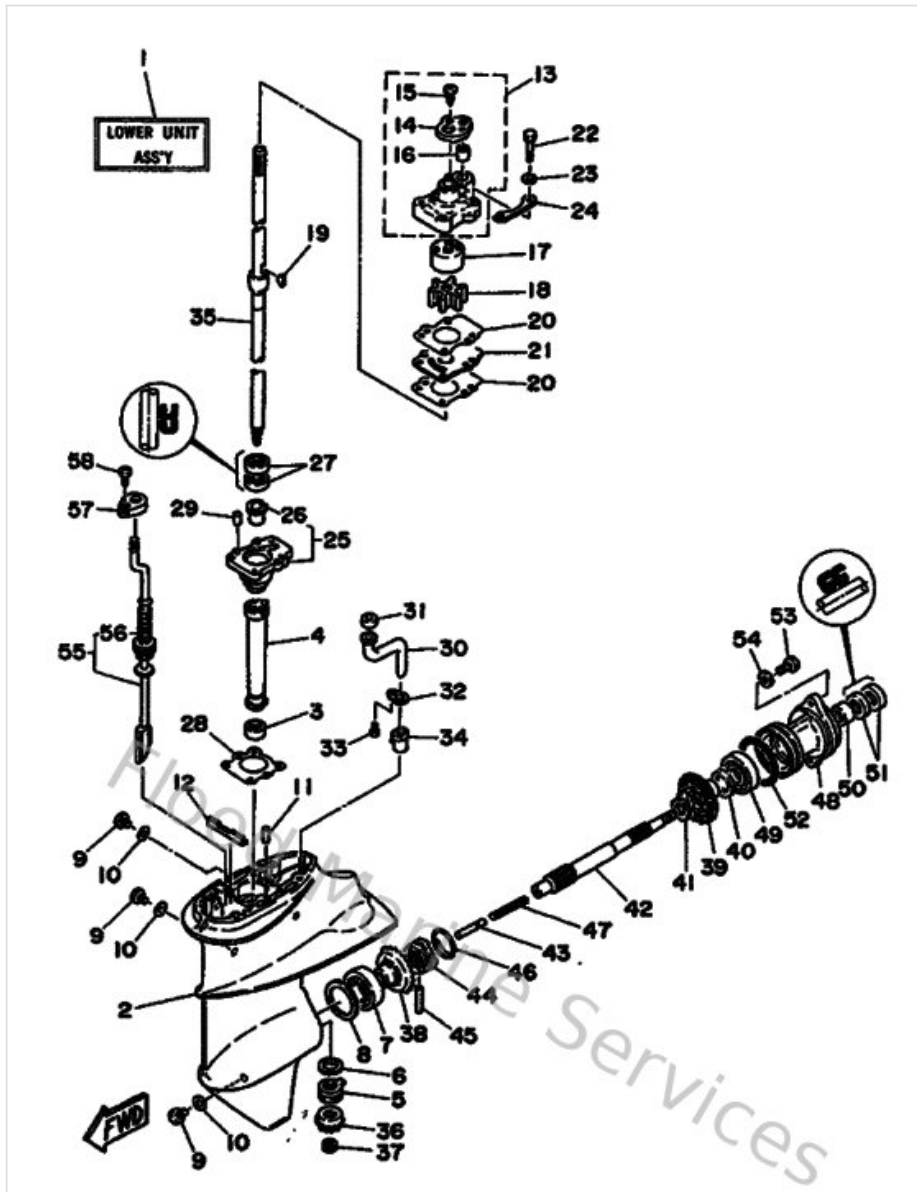
# Lower Casing & Drive 1



Ref	Part	
3	<a href="#">93315314V800</a> Bearing, needle (6e7)	<a href="#">Buy now</a>
4	<a href="#">6E7455360000</a> Sleeve, drive shaft	<a href="#">Buy now</a>
5	<a href="#">93341214U100</a> Bearing, thrust (6e7)	<a href="#">Buy now</a>
6	<a href="#">6E7455870150</a> Shim 3	<a href="#">Buy now</a>
7	<a href="#">933320000500</a> Brg,cyl-cal roller 0.19g nt	<a href="#">Buy now</a>
8	<a href="#">664455670130</a> Shim (t:0.30mm)	<a href="#">Buy now</a>
9	<a href="#">903400800200</a> Plug, straight screw	<a href="#">Buy now</a>
10	<a href="#">904300802000</a> Gasket	<a href="#">Buy now</a>
11	<a href="#">936040806200</a> Pin,dowel (626)	<a href="#">Buy now</a>
12	<a href="#">682453760100</a> Guide, seal damper	<a href="#">Buy now</a>
13	<a href="#">682443000100</a> Housing water pump assembly	<a href="#">Buy now</a>
14	<a href="#">682443120000</a> Cover, water pump housing	<a href="#">Buy now</a>
15	<a href="#">977804011200</a> Screw, pan head tapping	<a href="#">Buy now</a>
16	<a href="#">682443650000</a> Damper, water seal 1	<a href="#">Buy now</a>
17	<a href="#">682443220000</a> Insert, cartridge	<a href="#">Buy now</a>

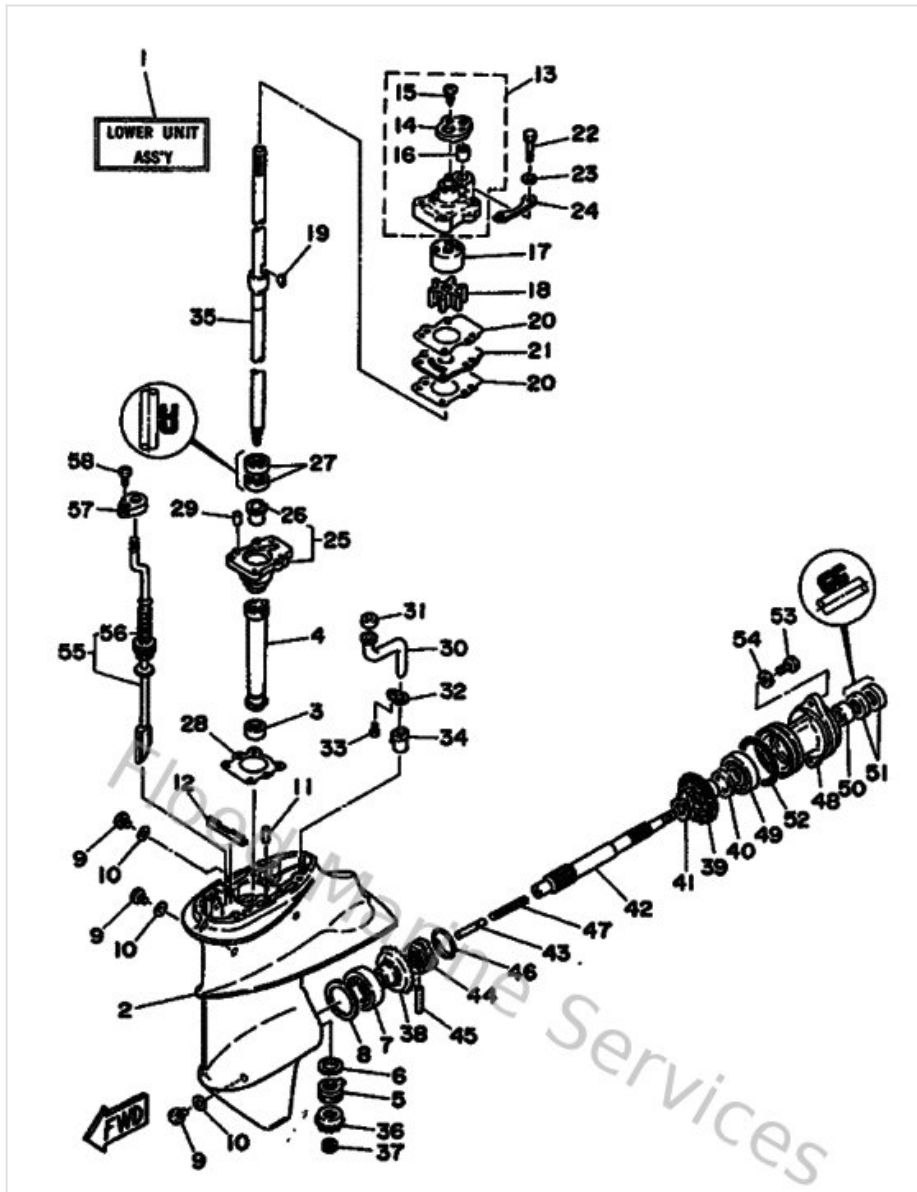


# Lower Casing & Drive 1



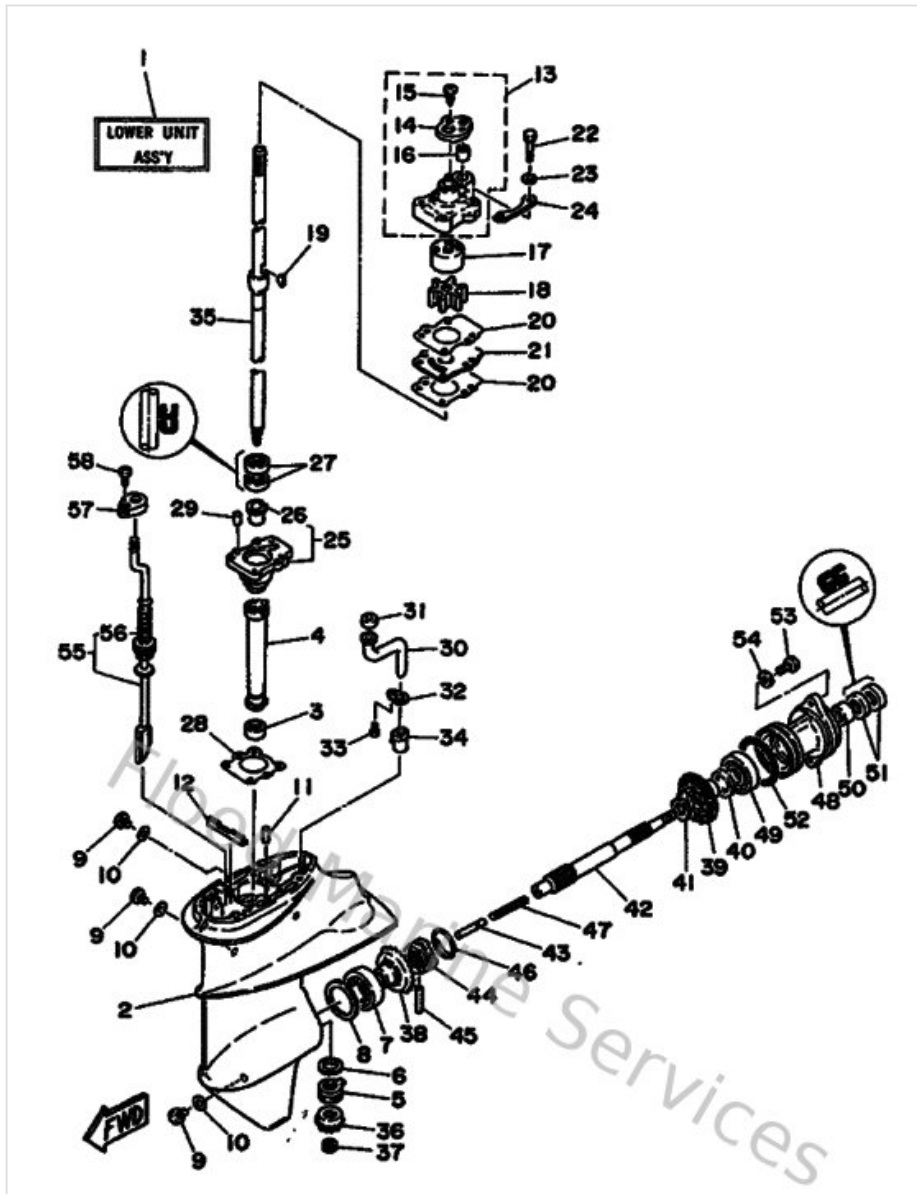
Ref	Part	
18	<a href="#">682443520100</a> Impeller	<a href="#">Buy now</a>
19	<a href="#">902800302400</a> Key, woodruff(662)	<a href="#">Buy now</a>
20	<a href="#">68244315A000</a> Gasket,water pump 1	<a href="#">Buy now</a>
21	<a href="#">682443230000</a> Outer plate, cartridge	<a href="#">Buy now</a>
22	<a href="#">973950604000</a> Bolt (682)	<a href="#">Buy now</a>
23	<a href="#">929900660000</a> Washer, plain (646)	<a href="#">Buy now</a>
24	<a href="#">682443280000</a> Plate	<a href="#">Buy now</a>
25	<a href="#">6E745331005B</a> Housing, bearing	<a href="#">Buy now</a>
26	<a href="#">626453160000</a> Bushing, drive shaft 1	<a href="#">Buy now</a>
27	<a href="#">931022048400</a> Oil seal	<a href="#">Buy now</a>
28	<a href="#">683453150000</a> Packing,lower casing	<a href="#">Buy now</a>
29	<a href="#">936061201900</a> Pin, dowel (614)	<a href="#">Buy now</a>
30	<a href="#">683443620100</a> Tube, water 2	<a href="#">Buy now</a>
31	<a href="#">683443650100</a> Damper, water seal 1	<a href="#">Buy now</a>
32	<a href="#">683443730000</a> Set plate, water tube	<a href="#">Buy now</a>

# Lower Casing & Drive 1



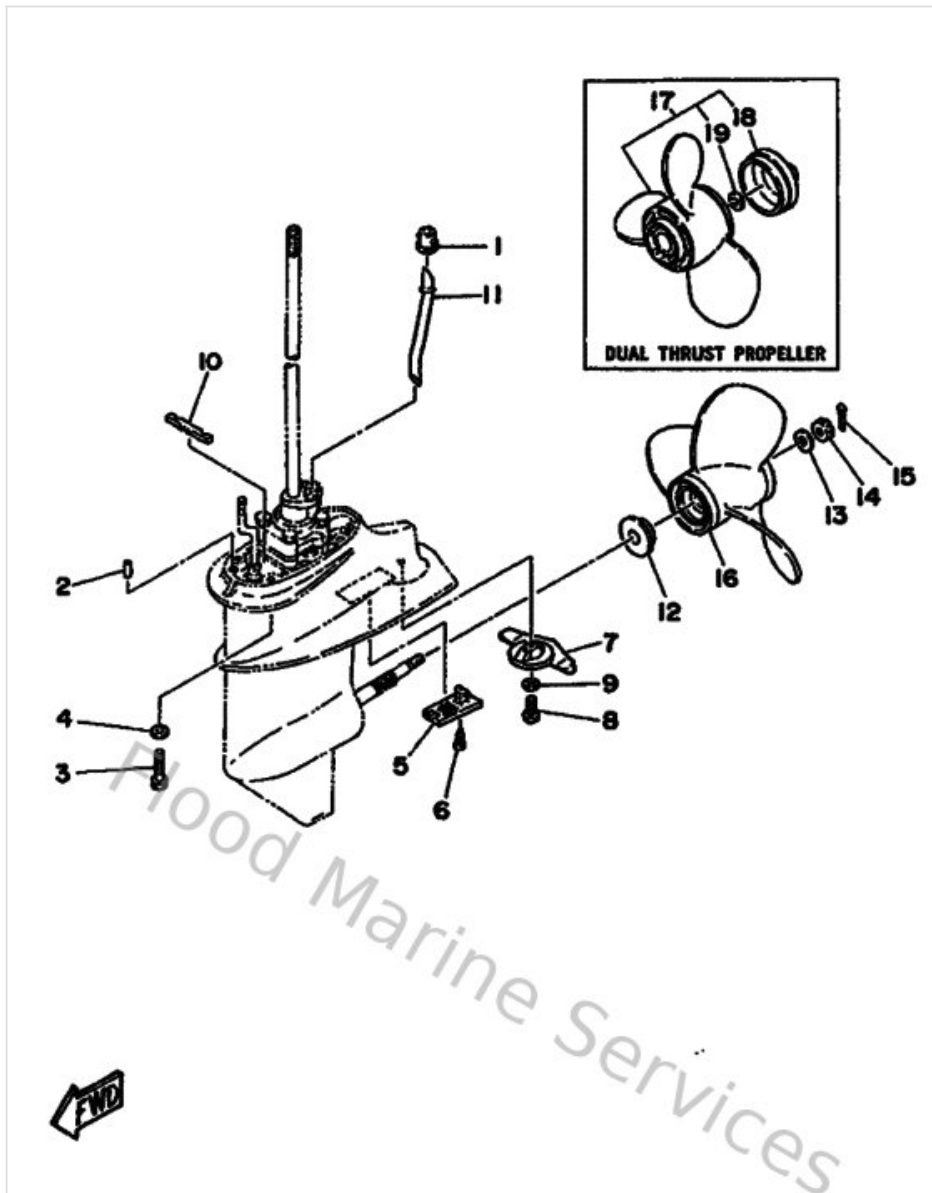
Ref	Part	
33	<a href="#">973950601000</a> Bolt	<a href="#">Buy now</a>
34	<a href="#">6E7443660000</a> Damper, water seal 2	<a href="#">Buy now</a>
35	<a href="#">6E7455011100</a> Drive shaft comp.	<a href="#">Buy now</a>
36	<a href="#">6E7455510000</a> Pinion	<a href="#">Buy now</a>
37	<a href="#">9017908M0600</a> Nut (6e7)	<a href="#">Buy now</a>
38	<a href="#">6E7455600000</a> Gear	<a href="#">Buy now</a>
39	<a href="#">6E7455710000</a> Gear 2	<a href="#">Buy now</a>
40	<a href="#">626455770001</a> Shim (t:0.10mm)	<a href="#">Buy now</a>
41	<a href="#">902011768200</a> Washer, plate (2k7)	<a href="#">Buy now</a>
42	<a href="#">683456110000</a> Shaft propeller	<a href="#">Buy now</a>
43	<a href="#">650456350000</a> Plunger, shift	<a href="#">Buy now</a>
44	<a href="#">682456310000</a> Clutch, dog	<a href="#">Buy now</a>
45	<a href="#">902500501000</a> Pin straight 648456320000	<a href="#">Buy now</a>
46	<a href="#">648456330000</a> Ring, cross pin	<a href="#">Buy now</a>
47	<a href="#">9050114M0900</a> Spring, compression	<a href="#">Buy now</a>

# Lower Casing & Drive 1



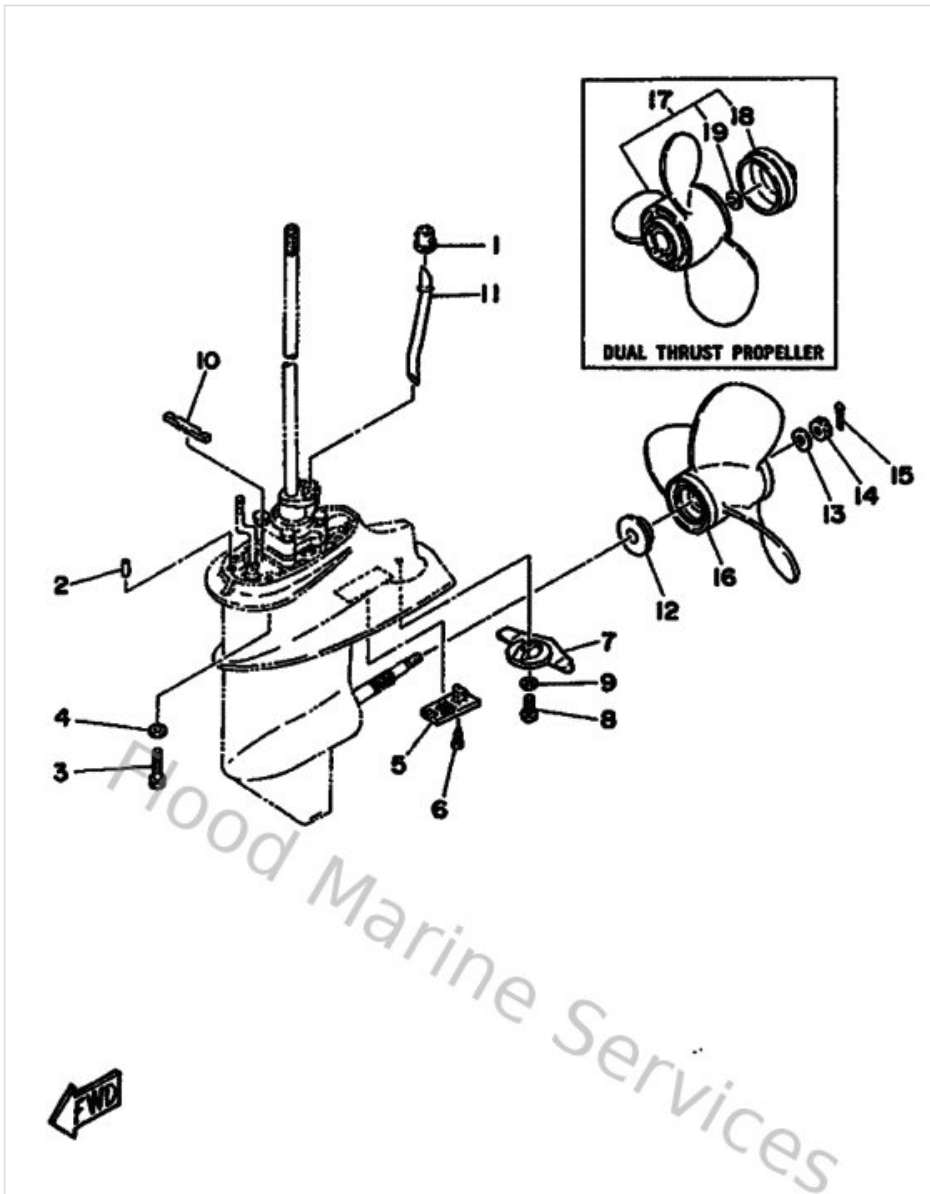
Ref	Part	
48	<a href="#">6834536100EJ</a> Cap, lower casing set (683)	<a href="#">Buy now</a>
49	<a href="#">933060050100</a> Bearing(1ff)	<a href="#">Buy now</a>
50	<a href="#">93315317U200</a> Brg,cyl-cal roller 14g (683)	<a href="#">Buy now</a>
51	<a href="#">931011705400</a> Oil seal (17x30x6-650)	<a href="#">Buy now</a>
52	<a href="#">9321057M0900</a> O-ring (683)	<a href="#">Buy now</a>
53	<a href="#">973950602000</a> Bolt(7u8)	<a href="#">Buy now</a>
55	<a href="#">682441501000</a> Shift Cam Assembly	<a href="#">Buy now</a>
56	<a href="#">682441470000</a> Boot, shift rod	<a href="#">Buy now</a>
57	<a href="#">682441760000</a> Bracket	<a href="#">Buy now</a>
58	<a href="#">977805051000</a> Screw, tapping(6u1)	<a href="#">Buy now</a>

## Lower Casing & Drive 2



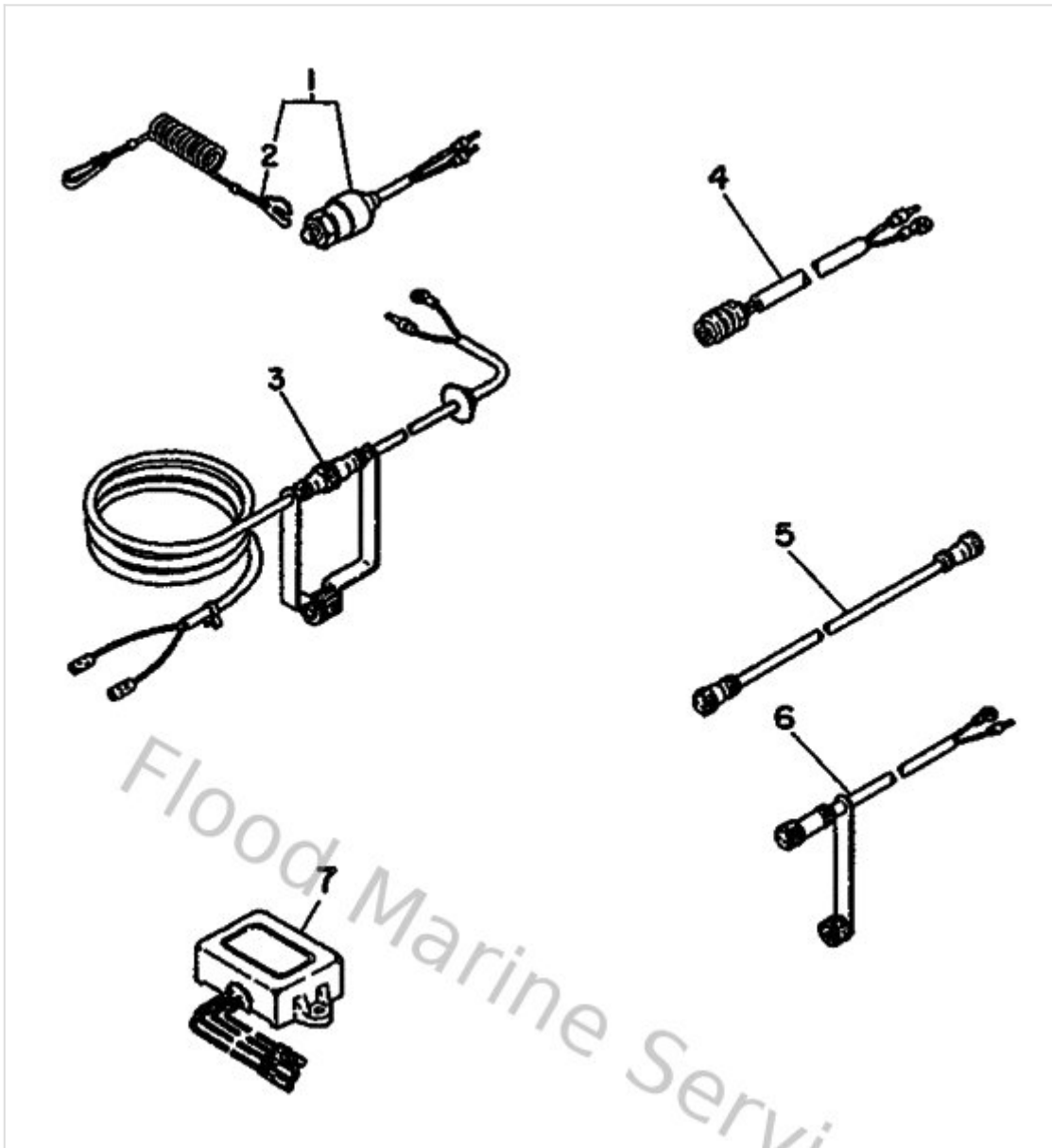
Ref	Part	
1	<a href="#">626443650100</a> Damper, water seal 1	<a href="#">Buy now</a>
2	<a href="#">936061201900</a> Pin, dowel (614)	<a href="#">Buy now</a>
3	<a href="#">970900803500</a> Bolt(70w)	<a href="#">Buy now</a>
4	<a href="#">929900860000</a> Washer, plain (663)	<a href="#">Buy now</a>
5	<a href="#">6E7452140000</a> Cover, water inlet	<a href="#">Buy now</a>
6	<a href="#">985800501200</a> Screw,pan head (646)	<a href="#">Buy now</a>
7	<a href="#">6E8452510200</a> Anode	<a href="#">Buy now</a>
8	<a href="#">973950602000</a> Bolt(7u8)	<a href="#">Buy now</a>
9	<a href="#">929900660000</a> Washer, plain (646)	<a href="#">Buy now</a>
10	<a href="#">682453750100</a> Damper, seal	<a href="#">Buy now</a>
11	<a href="#">682443610000</a> Tube, water	<a href="#">Buy now</a>
12	<a href="#">6E7459870100</a> Spacer	<a href="#">Buy now</a>
13	<a href="#">9020110M0100</a> Washer, plate(6m7)	<a href="#">Buy now</a>
14	<a href="#">9017110M0100</a> Nut castle (683)	<a href="#">Buy now</a>
15	<a href="#">914903002000</a> Pin cotter	<a href="#">Buy now</a>

## Lower Casing & Drive 2



Ref	Part	
16	<a href="#">683459410000</a> Propeller (3x9-1/4"x12"-j)	<a href="#">Buy now</a>
17	<a href="#">683W45920200</a> Propeller (3x9-3/4"x6-1/2"-j)	<a href="#">Buy now</a>
19	<a href="#">9020110M0200</a> Washer, plate(6g9)	<a href="#">Buy now</a>

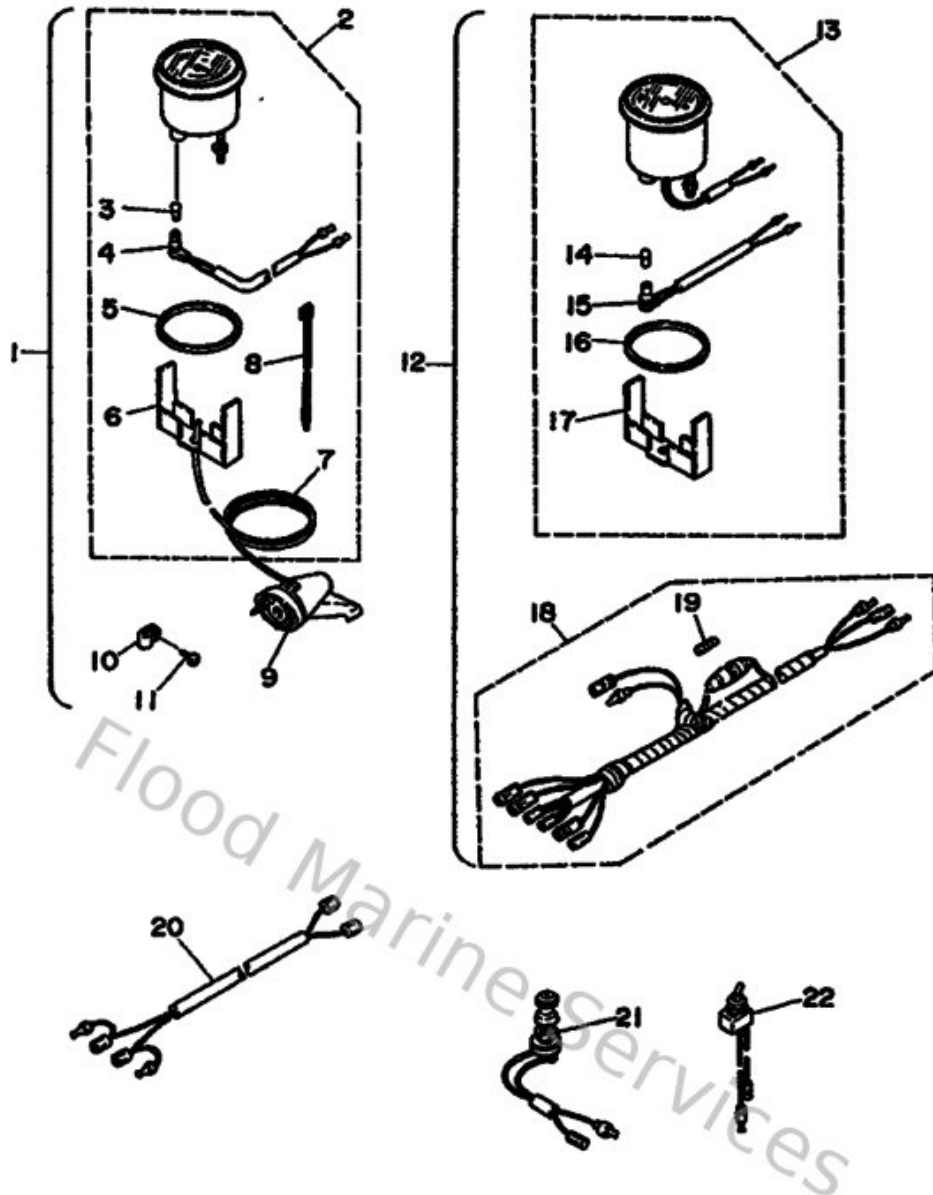
## Optional Parts 1



Ref	Part	
1	<a href="#">689825751200</a> Engine stop switch assembly	<a href="#">Buy now</a>
2	<a href="#">682825560000</a> Lanyard, stop switch	<a href="#">Buy now</a>
3	<a href="#">689825532000</a> Extension, wire lead	<a href="#">Buy now</a>
4	<a href="#">6A0825500100</a> Stop switch assembly	<a href="#">Buy now</a>
5	<a href="#">689825531000</a> Extension, wire lead	<a href="#">Buy now</a>
6	<a href="#">689843400000</a> Socket cord ass'y 1	<a href="#">Buy now</a>
7	<a href="#">663819101000</a> Voltage Regulator assembly	<a href="#">Buy now</a>

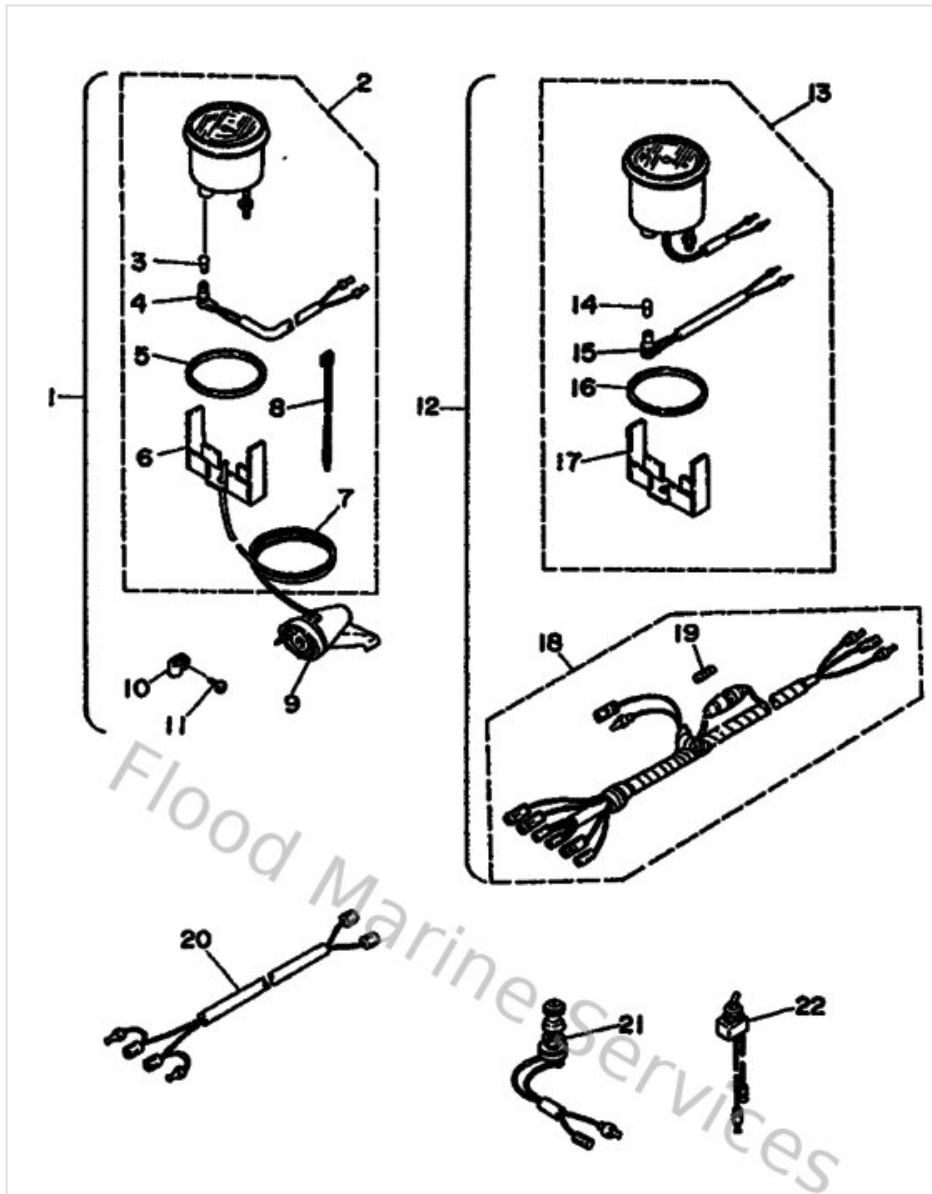


## Optional Parts 2



Ref	Part	
1	<a href="#">6Y5W00814000</a> Speedometer Kit	<a href="#">Buy now</a>
2	<a href="#">6Y5835103000</a> Speedometer assembly (km/h,knots,m)	<a href="#">Buy now</a>
3	<a href="#">688835160000</a> Bulb, pilot (t6.5, 12v-1.7w)	<a href="#">Buy now</a>
4	<a href="#">6Y5835361000</a> Socket, meter	<a href="#">Buy now</a>
5	<a href="#">6Y5835230000</a> Damper	<a href="#">Buy now</a>
6	<a href="#">6Y5835140000</a> Plate, fitting	<a href="#">Buy now</a>
7	<a href="#">6Y5835571000</a> Tube (8m)	<a href="#">Buy now</a>
8	<a href="#">9046511M1000</a> Clamp	<a href="#">Buy now</a>
9	<a href="#">688835560100</a> Sender (with hose l:6m/d:4mm)	<a href="#">Buy now</a>
10	<a href="#">906013140200</a> 021-58119-01 clip,nylon 14	<a href="#">Buy now</a>
11	<a href="#">977804011600</a> Screw,panh.tapping	<a href="#">Buy now</a>
12	<a href="#">6Y5W00801200</a> Tachometer kit	<a href="#">Buy now</a>
13	<a href="#">6Y5835401200</a> Tachometer assembly	<a href="#">Buy now</a>
18	<a href="#">6Y5835530000</a> Wire, lead (l=2.5m)	<a href="#">Buy now</a>
19	<a href="#">1E6821510000</a> Fuse (10a)	<a href="#">Buy now</a>

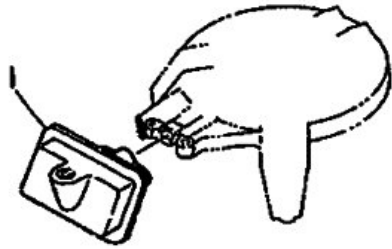
## Optional Parts 2



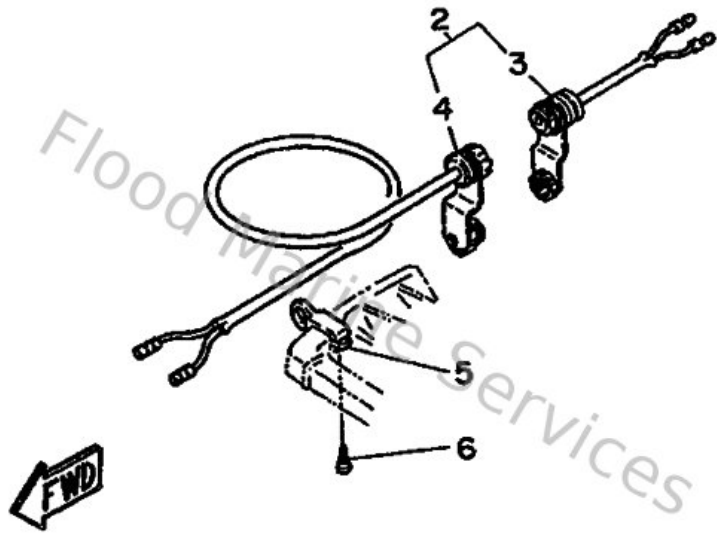
Ref	Part	
20	<a href="#">6Y5835531000</a> Wire, lead	<a href="#">Buy now</a>
21	<a href="#">688825200000</a> Lamp switch assembly	<a href="#">Buy now</a>
22	<a href="#">688825260000</a> Switch, lamp	<a href="#">Buy now</a>



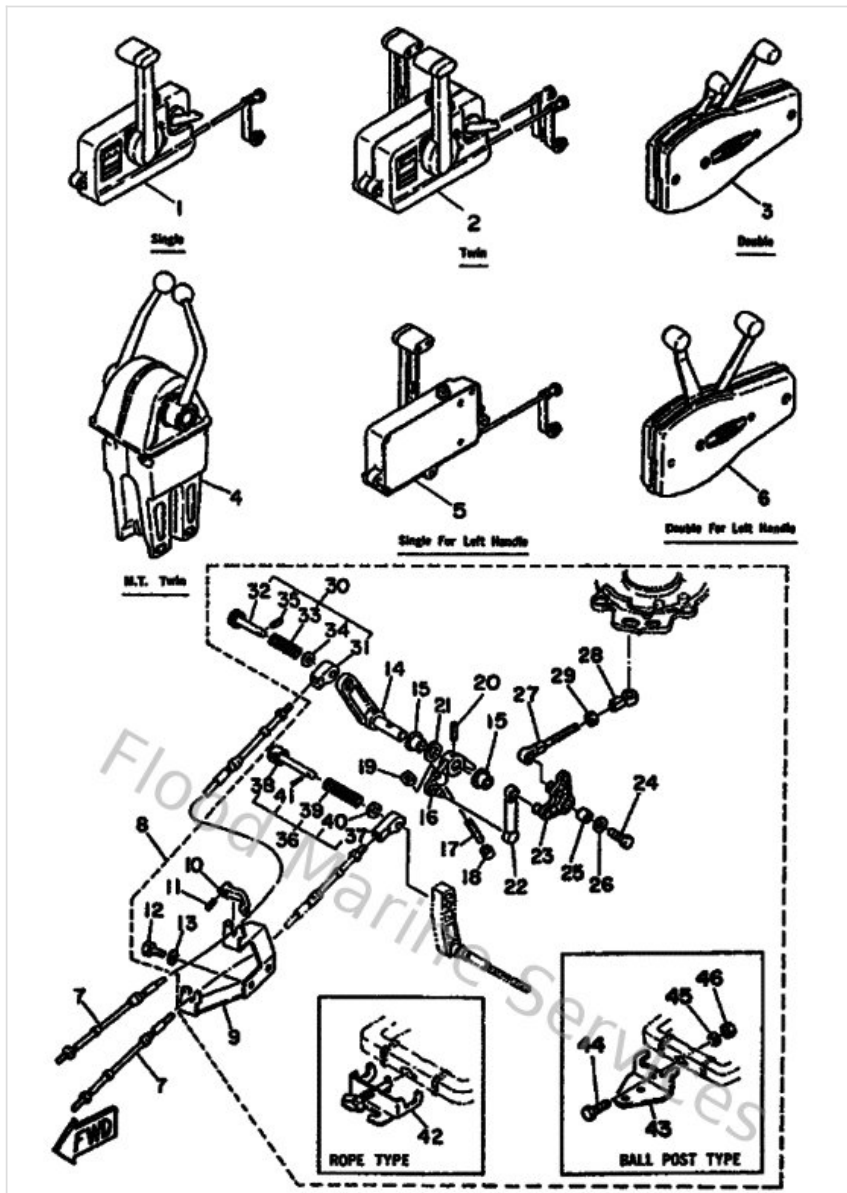
## Optional Parts 3



Ref	Part	
2	<a href="#">68284380000</a> 2p concent assembly	<a href="#">Buy now</a>
3	<a href="#">682843810000</a> 2p concent 1	<a href="#">Buy now</a>
4	<a href="#">682843820000</a> 2p concent 2	<a href="#">Buy now</a>
5	<a href="#">682843870000</a> Holder	<a href="#">Buy now</a>
6	<a href="#">977805051200</a> Screw, tapping(61a)	<a href="#">Buy now</a>

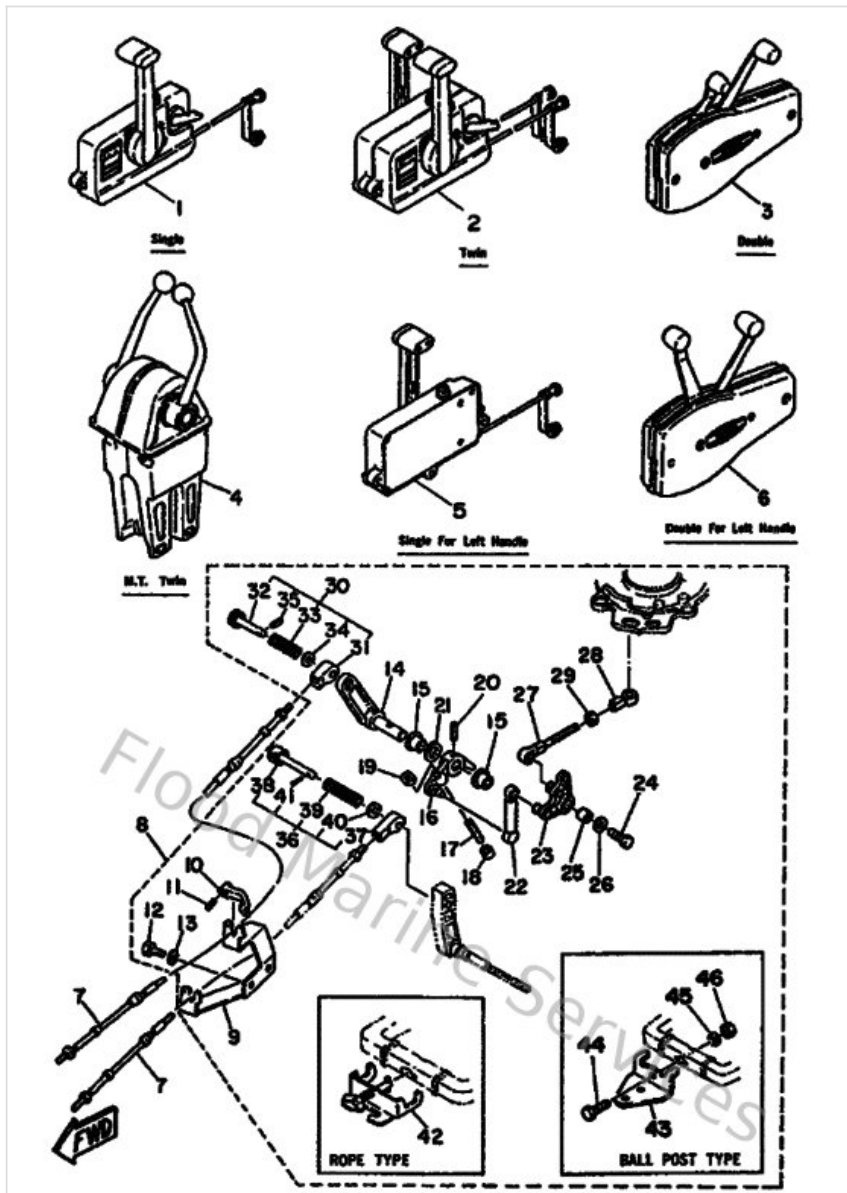


# Remote Control



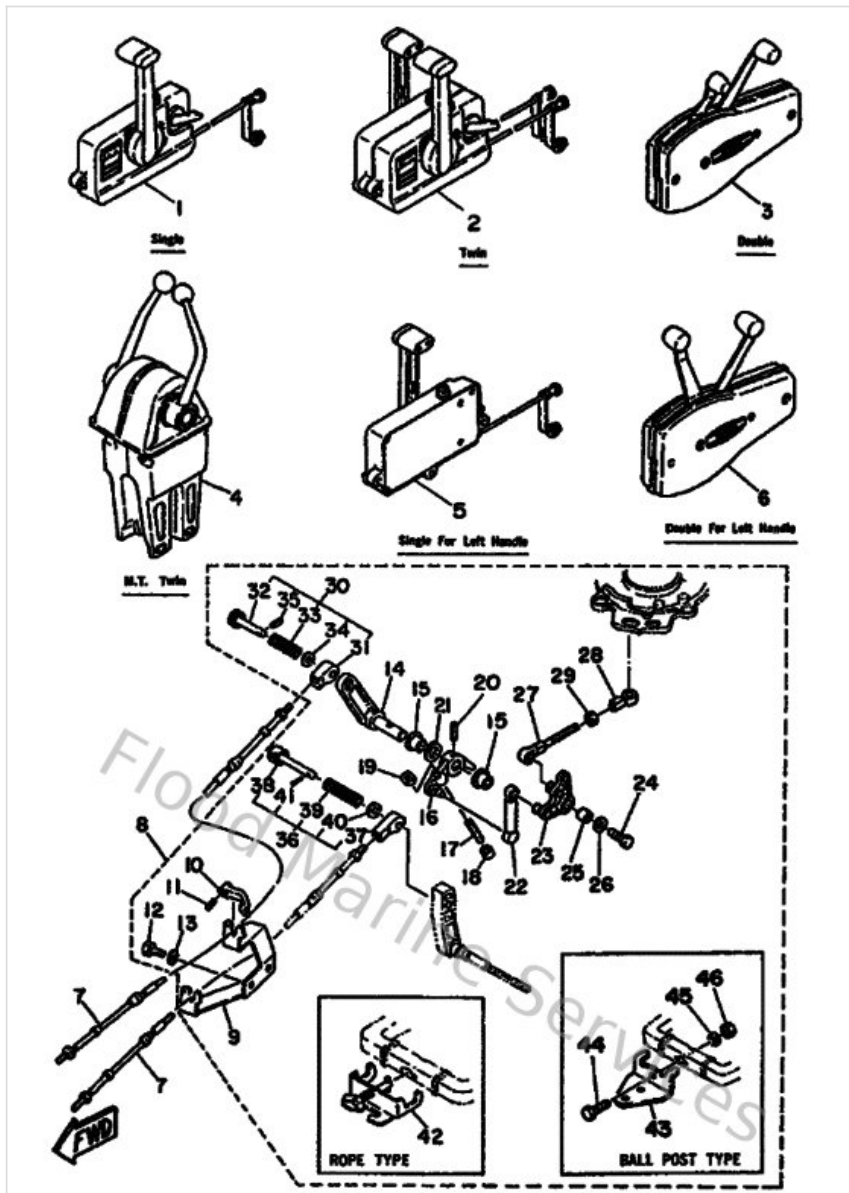
Ref	Part	
1	<a href="#">701481011000</a> Remote control assembly	<a href="#">Buy now</a>
2	<a href="#">701481102200</a> Remote Control assembly	<a href="#">Buy now</a>
5	<a href="#">701481021000</a> Remote control assembly	<a href="#">Buy now</a>
7	<a href="#">MARCABLE09SC</a> Remote Control Cable 9' :ob	<a href="#">Buy now</a>
9	<a href="#">682485315100</a> Bracket, Remote Control	<a href="#">Buy now</a>
10	<a href="#">682485385000</a> Clamp, cable	<a href="#">Buy now</a>
11	<a href="#">916903001200</a> Pin, spring	<a href="#">Buy now</a>
12	<a href="#">973950601600</a> Bolt, hexagon deep recess	<a href="#">Buy now</a>
13	<a href="#">929900660000</a> Washer, plain (646)	<a href="#">Buy now</a>
14	<a href="#">682416315094</a> Lever Magneto Control 1	<a href="#">Buy now</a>
15	<a href="#">903861000900</a> Bushing 6484418600	<a href="#">Buy now</a>
16	<a href="#">682416325094</a> Lever, Magneto Control 2	<a href="#">Buy now</a>
17	<a href="#">9011306M0100</a> Bolt	<a href="#">Buy now</a>
18	<a href="#">663441940000</a> Cap	<a href="#">Buy now</a>
19	<a href="#">9538R0670000</a> Nut	<a href="#">Buy now</a>

# Remote Control



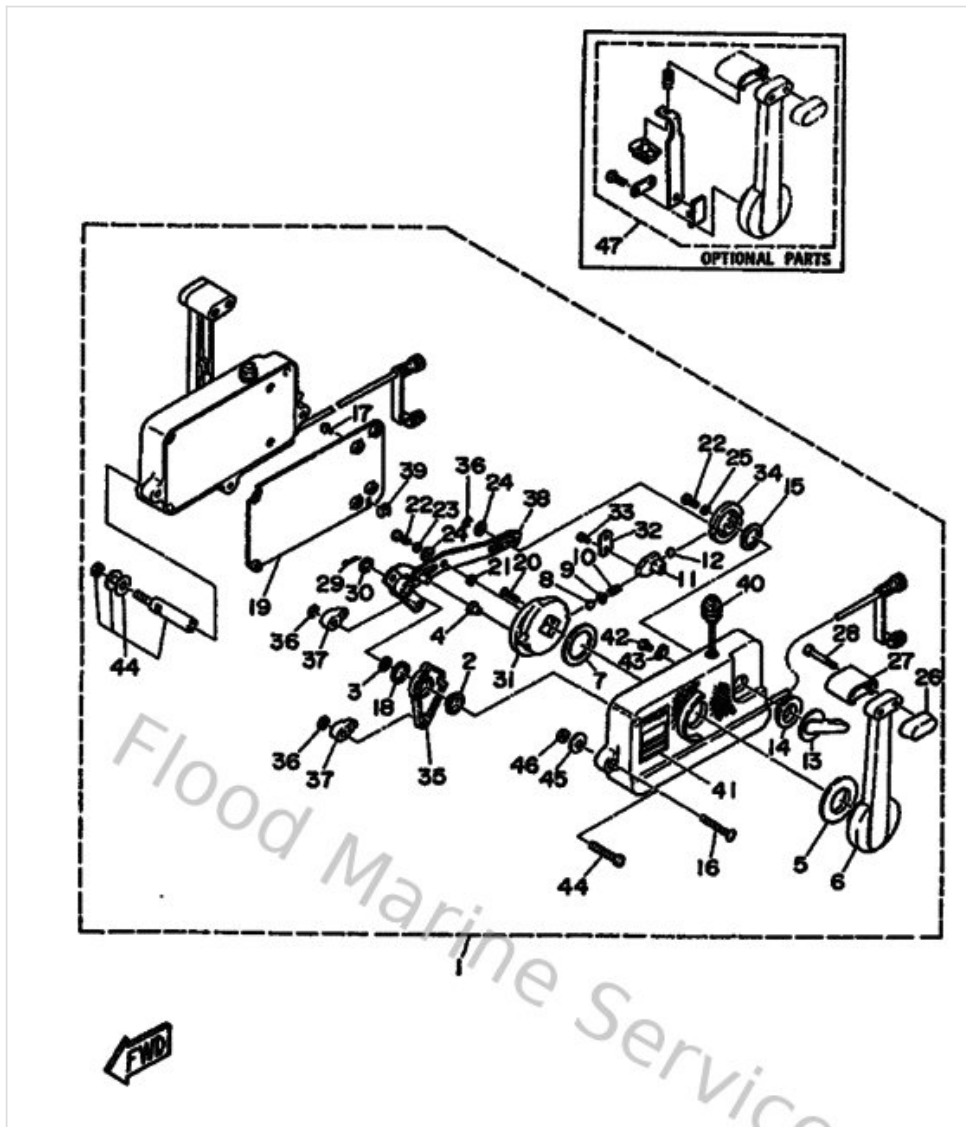
Ref	Part	
20	<a href="#">916904001800</a> Pin spring(664)	<a href="#">Buy now</a>
21	<a href="#">902021002400</a> Washer plate 648441880000	<a href="#">Buy now</a>
22	<a href="#">682412385100</a> Joint, Link 1	<a href="#">Buy now</a>
23	<a href="#">682416330094</a> Lever, Magneto Control 3	<a href="#">Buy now</a>
24	<a href="#">973130602000</a> Bolt(7u8)	<a href="#">Buy now</a>
25	<a href="#">9038706M0200</a> Collar (664)	<a href="#">Buy now</a>
27	<a href="#">682412375000</a> Joint, link 2	<a href="#">Buy now</a>
28	<a href="#">682412370000</a> Joint, link 2	<a href="#">Buy now</a>
29	<a href="#">953800570000</a> Nut (656)	<a href="#">Buy now</a>
30	<a href="#">682483405000</a> Cable end assembly	<a href="#">Buy now</a>
31	<a href="#">682483445000</a> Cable End, Remote Control 1	<a href="#">Buy now</a>
32	<a href="#">617483619100</a> Hook, cable	<a href="#">Buy now</a>
33	<a href="#">905011026400</a> Spring 6174833290	<a href="#">Buy now</a>
34	<a href="#">929900860000</a> Washer, plain (663)	<a href="#">Buy now</a>
36	<a href="#">682483305000</a> Cable end assembly	<a href="#">Buy now</a>

# Remote Control



Ref	Part	
38	<a href="#">617483319100</a> Hook, cable	<a href="#">Buy now</a>
39	<a href="#">905011007100</a> Spring 6044833200	<a href="#">Buy now</a>
42	<a href="#">700485101200</a> Hook steering assembly	<a href="#">Buy now</a>
43	<a href="#">676485111000</a> Hook, steering	<a href="#">Buy now</a>
44	<a href="#">973951004000</a> Bolt, hexagon deep recess	<a href="#">Buy now</a>
45	<a href="#">929901060000</a> Washer, plate	<a href="#">Buy now</a>
46	<a href="#">901851005100</a> Nut, self-locking	<a href="#">Buy now</a>

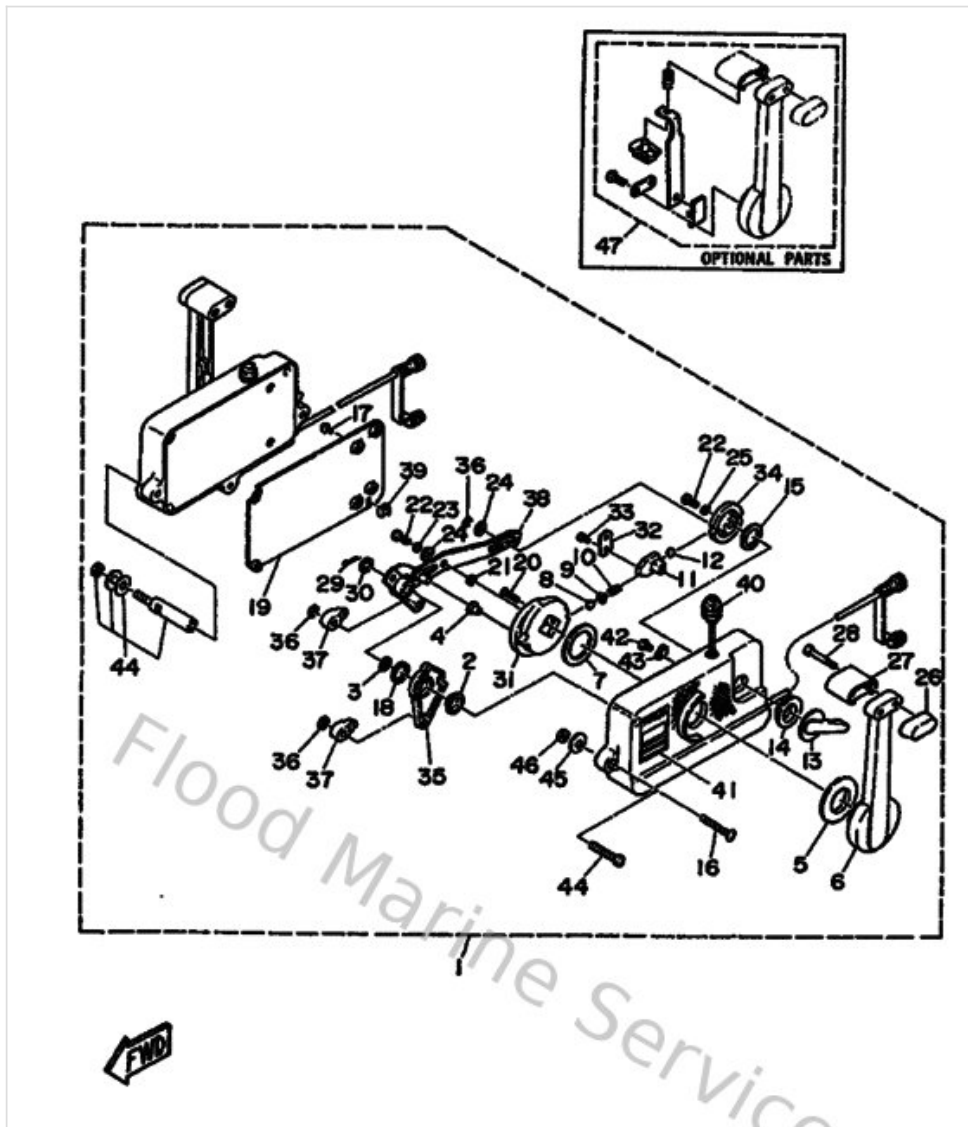
# Remote Control Assy 1



Ref	Part	
1	<a href="#">701481011000</a> Remote control assembly	<a href="#">Buy now</a>
2	<a href="#">701482350000</a> Bushing 2	<a href="#">Buy now</a>
3	<a href="#">701481971000</a> Washer, wave 2	<a href="#">Buy now</a>
4	<a href="#">701482520000</a> Roller, cam	<a href="#">Buy now</a>
5	<a href="#">701482340000</a> Bushing 1	<a href="#">Buy now</a>
6	<a href="#">701482210000</a> Lever, control	<a href="#">Buy now</a>
7	<a href="#">701481961100</a> Washer, wave 1	<a href="#">Buy now</a>
8	<a href="#">701482360000</a> Roller, detent	<a href="#">Buy now</a>
9	<a href="#">702482370000</a> Adaptor	<a href="#">Buy now</a>
10	<a href="#">702482380000</a> Spring, Detent	<a href="#">Buy now</a>
11	<a href="#">701482490000</a> Spring, adapter	<a href="#">Buy now</a>
12	<a href="#">701482480000</a> Roller, free accel	<a href="#">Buy now</a>
13	<a href="#">701481521100</a> Knob, free accel	<a href="#">Buy now</a>
14	<a href="#">701482430000</a> Bushing	<a href="#">Buy now</a>
15	<a href="#">701481981000</a> Washer, wave 3	<a href="#">Buy now</a>



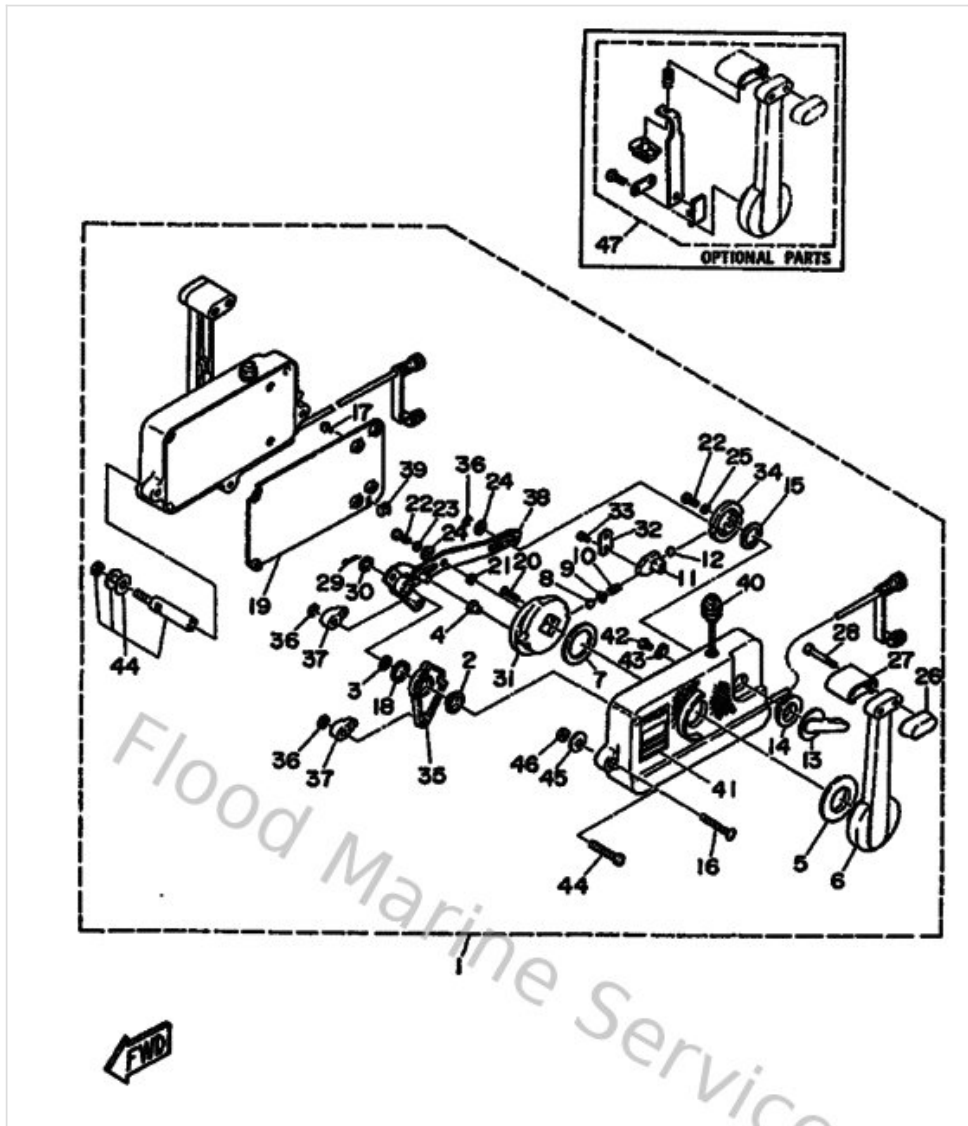
# Remote Control Assy 1



Ref	Part	
16	<a href="#">701482810000</a> Screw	<a href="#">Buy now</a>
17	<a href="#">978850501000</a> Screw, pan head(62x)	<a href="#">Buy now</a>
18	<a href="#">701482680000</a> Spacer 3	<a href="#">Buy now</a>
19	<a href="#">701482130000</a> Back, plate	<a href="#">Buy now</a>
20	<a href="#">927800602500</a> Screw flat head	<a href="#">Buy now</a>
21	<a href="#">701482550000</a> Coller 1	<a href="#">Buy now</a>
22	<a href="#">970800601800</a> Bolt (fj0)	<a href="#">Buy now</a>
24	<a href="#">701482460000</a> Spacer	<a href="#">Buy now</a>
25	<a href="#">929900630000</a> Washer, tooth	<a href="#">Buy now</a>
26	<a href="#">701482290000</a> Grip, control lever 2	<a href="#">Buy now</a>
27	<a href="#">701482220000</a> Grip, control lever	<a href="#">Buy now</a>
28	<a href="#">701482820000</a> Screw, pan head	<a href="#">Buy now</a>
29	<a href="#">701482390000</a> Set Pin, Plate	<a href="#">Buy now</a>
30	<a href="#">701482660000</a> Spacer 2	<a href="#">Buy now</a>
31	<a href="#">701482320000</a> Gear 1	<a href="#">Buy now</a>

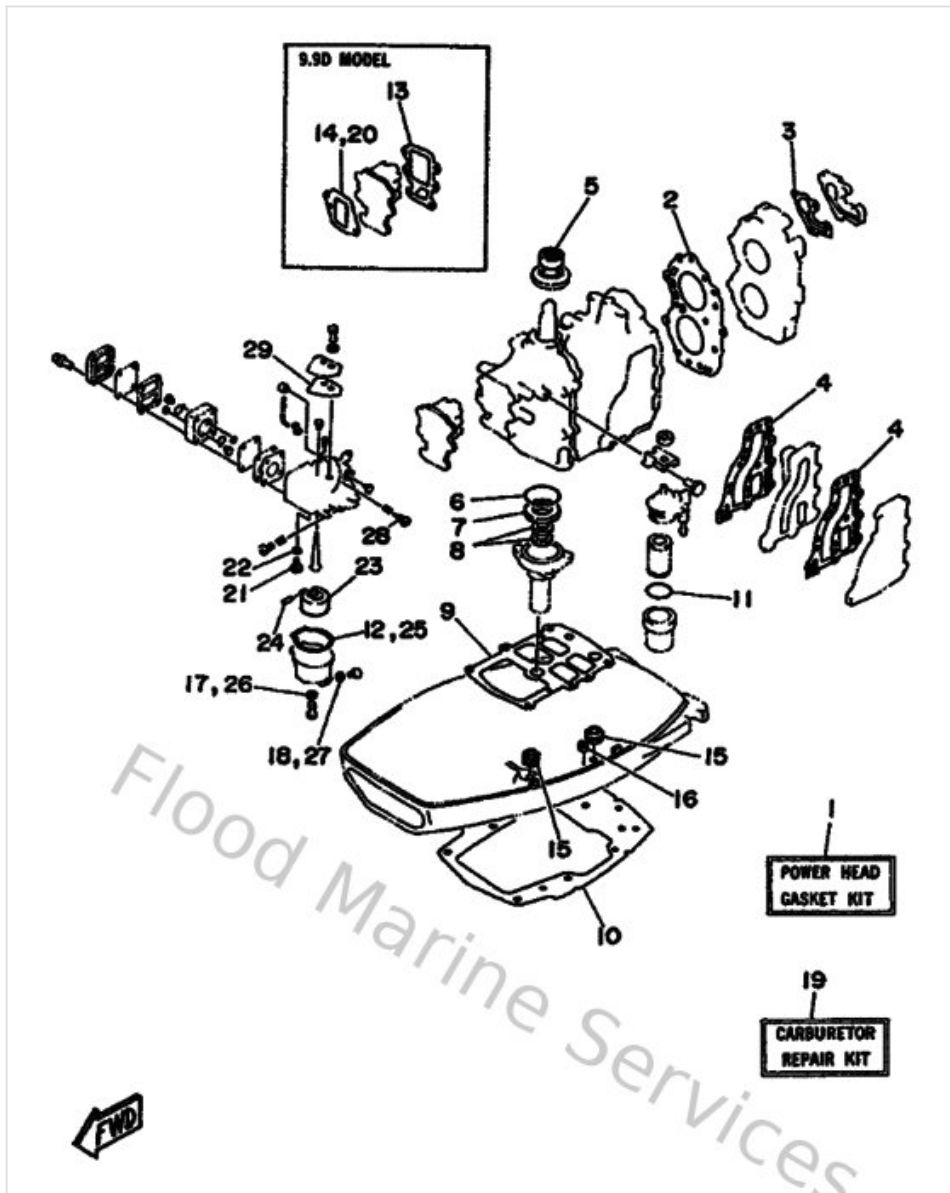


# Remote Control Assy 1



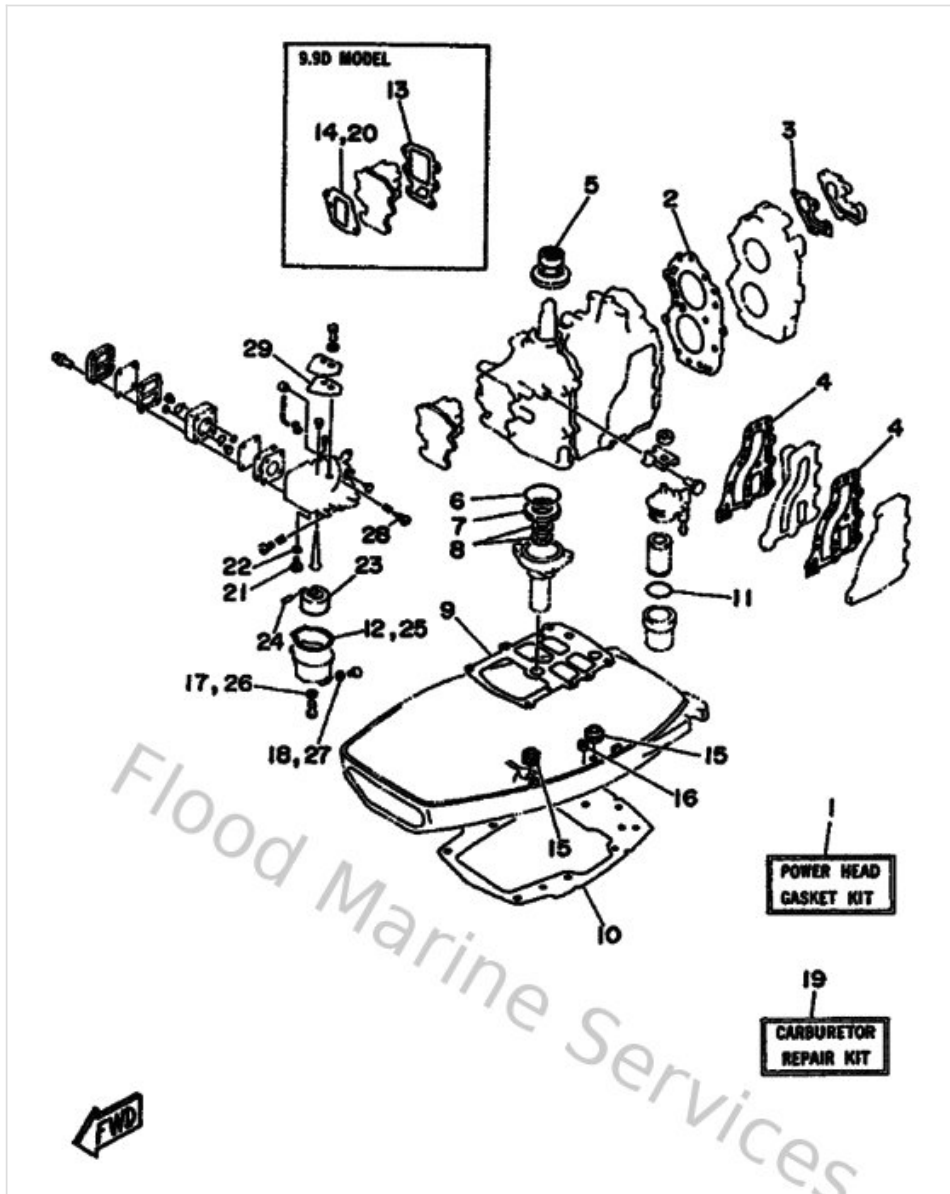
Ref	Part	
32	<a href="#">701481891100</a> Retainer	<a href="#">Buy now</a>
33	<a href="#">985800501000</a> Screw, pan head(62x)	<a href="#">Buy now</a>
34	<a href="#">701481531200</a> Shaft, free accel	<a href="#">Buy now</a>
35	<a href="#">701482711000</a> Arm, shift	<a href="#">Buy now</a>
36	<a href="#">934300602400</a> Circlip (701)	<a href="#">Buy now</a>
37	<a href="#">703483450100</a> Cable end, remote control 2	<a href="#">Buy now</a>
38	<a href="#">701482610000</a> Arm, throttle	<a href="#">Buy now</a>
39	<a href="#">701483580000</a> Anchor, cable	<a href="#">Buy now</a>
40	<a href="#">701825505000</a> Engine Stop Switch assembly	<a href="#">Buy now</a>
42	<a href="#">701482830000</a> Screw 3	<a href="#">Buy now</a>
43	<a href="#">701825940000</a> Clamp	<a href="#">Buy now</a>
44	<a href="#">701482910000</a> Attachment	<a href="#">Buy now</a>
45	<a href="#">701482870000</a> Washer 1	<a href="#">Buy now</a>
46	<a href="#">953800660000</a> Nut(661)	<a href="#">Buy now</a>
47	<a href="#">701482800000</a> Neutral lock kit	<a href="#">Buy now</a>

# Repair Kit 1



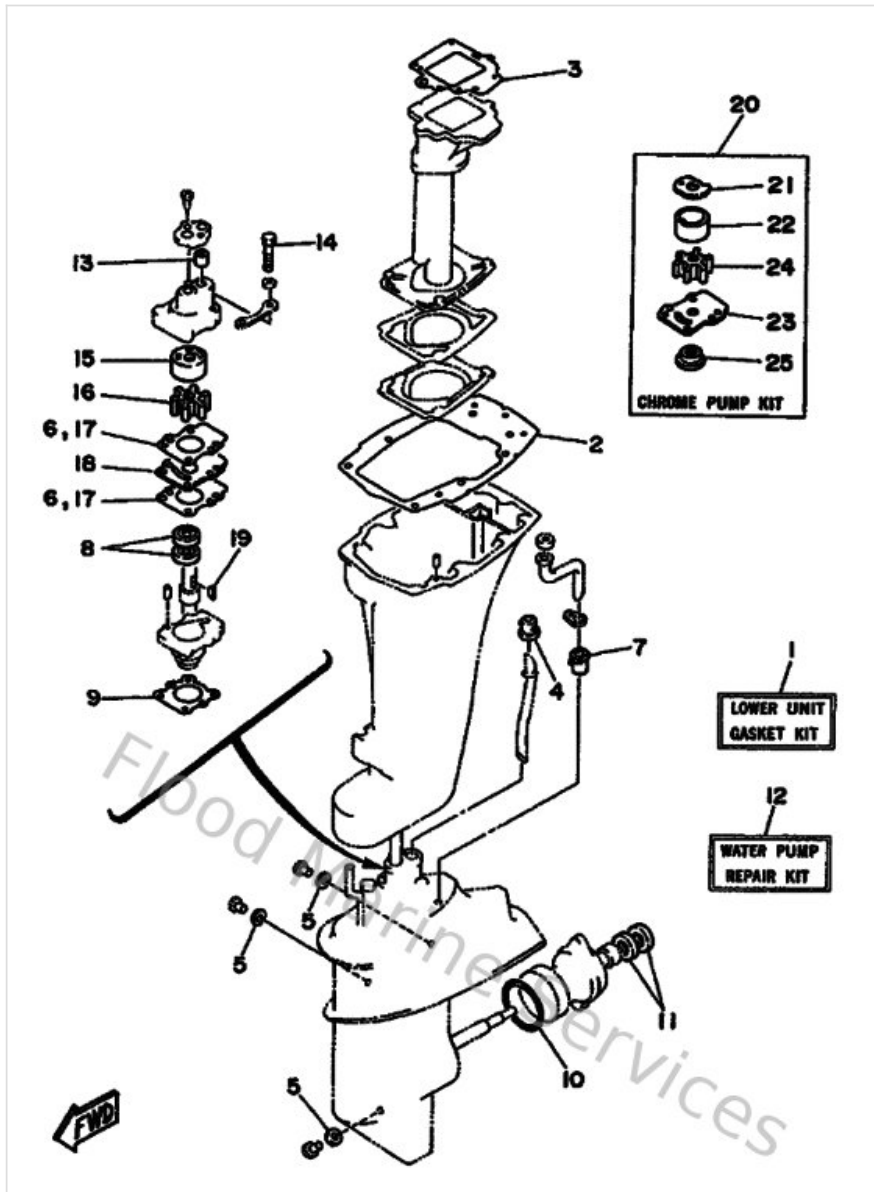
Ref	Part	
1	<a href="#">6E7W00010000</a> Gasket Kit	<a href="#">Buy now</a>
2	<a href="#">6E711181A200</a> Gasket, cylinder head 1	<a href="#">Buy now</a>
3	<a href="#">682124140000</a> Gasket, cover	<a href="#">Buy now</a>
4	<a href="#">682411120000</a> Gasket, exhaust inner cover	<a href="#">Buy now</a>
5	<a href="#">9311023M0000</a> Oil seal (682)	<a href="#">Buy now</a>
6	<a href="#">932105367900</a> O-ring(50m)	<a href="#">Buy now</a>
7	<a href="#">9310120M3400</a> Oil seal(6j1)	<a href="#">Buy now</a>
8	<a href="#">9310113M1100</a> Oil seal (682)	<a href="#">Buy now</a>
9	<a href="#">682113510200</a> Gasket, cylinder	<a href="#">Buy now</a>
10	<a href="#">68245113A300</a> Gasket, upper casing	<a href="#">Buy now</a>
11	<a href="#">9321037M2500</a> O-ring (655)	<a href="#">Buy now</a>
12	<a href="#">677143840100</a> Gasket, float chamber	<a href="#">Buy now</a>
13	<a href="#">68213621A000</a> Gasket, valve seat	<a href="#">Buy now</a>
14	<a href="#">677141980000</a> Gasket	<a href="#">Buy now</a>
15	<a href="#">682443670000</a> Rubber water seal 3	<a href="#">Buy now</a>

# Repair Kit 1



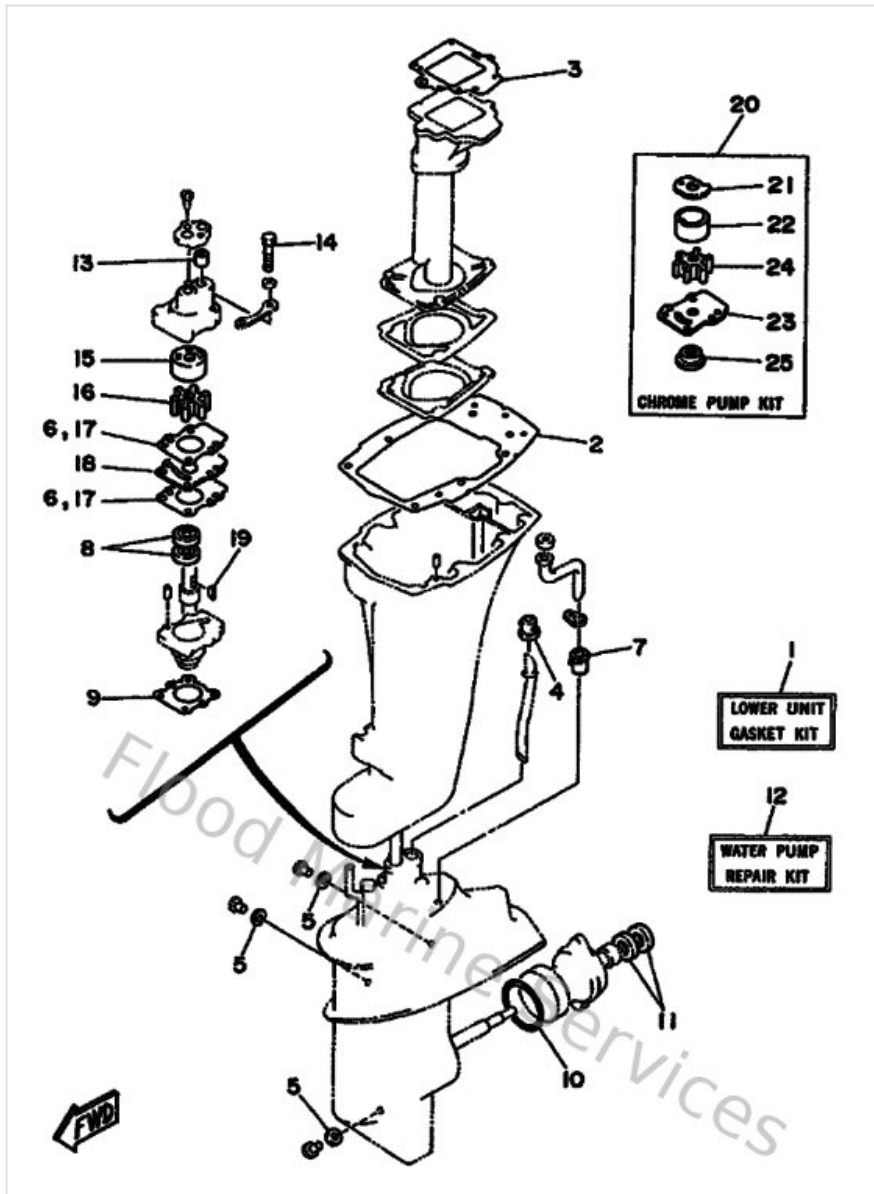
Ref	Part	
16	<a href="#">682443660000</a> Water seal 2	<a href="#">Buy now</a>
17	<a href="#">1J2143980000</a> Packing	<a href="#">Buy now</a>
18	<a href="#">655143980000</a> Gasket	<a href="#">Buy now</a>
19	<a href="#">6E7W00930100</a> Carburetor repair set	<a href="#">Buy now</a>
20	<a href="#">67714198A100</a> Gasket	<a href="#">Buy now</a>
21	<a href="#">6E8143901200</a> Needle valve assembly	<a href="#">Buy now</a>
22	<a href="#">367141950000</a> Washer, valve seat	<a href="#">Buy now</a>
23	<a href="#">6E7143850000</a> Float	<a href="#">Buy now</a>
24	<a href="#">647143861000</a> Pin, float	<a href="#">Buy now</a>
28	<a href="#">647143230000</a> Screw, air adjusting	<a href="#">Buy now</a>
29	<a href="#">6E7142270000</a> Packing	<a href="#">Buy now</a>

## Repair Kit 2



Ref	Part	
1	<a href="#">683W00012100</a> Lwr Unit Gskt Kit	<a href="#">Buy now</a>
2	<a href="#">682451130200</a> Gasket, upper casing	<a href="#">Buy now</a>
3	<a href="#">68241133A000</a> Gasket,exhaust manifold 1	<a href="#">Buy now</a>
4	<a href="#">626443650100</a> Damper, water seal 1	<a href="#">Buy now</a>
5	<a href="#">904300802000</a> Gasket	<a href="#">Buy now</a>
6	<a href="#">68244315A000</a> Gasket,water pump 1	<a href="#">Buy now</a>
7	<a href="#">6E7443660000</a> Damper, water seal 2	<a href="#">Buy now</a>
8	<a href="#">931012004800</a> Oil seal (20x30x6-648)	<a href="#">Buy now</a>
9	<a href="#">683453150000</a> Packing,lower casing	<a href="#">Buy now</a>
10	<a href="#">9321057M0900</a> O-ring (683)	<a href="#">Buy now</a>
11	<a href="#">931011705400</a> Oil seal (17x30x6-650)	<a href="#">Buy now</a>
12	<a href="#">682W0078A100</a> Water pump repair kit	<a href="#">Buy now</a>
13	<a href="#">682443650000</a> Damper, water seal 1	<a href="#">Buy now</a>
14	<a href="#">973950604000</a> Bolt (682)	<a href="#">Buy now</a>
15	<a href="#">682443220000</a> Insert, cartridge	<a href="#">Buy now</a>

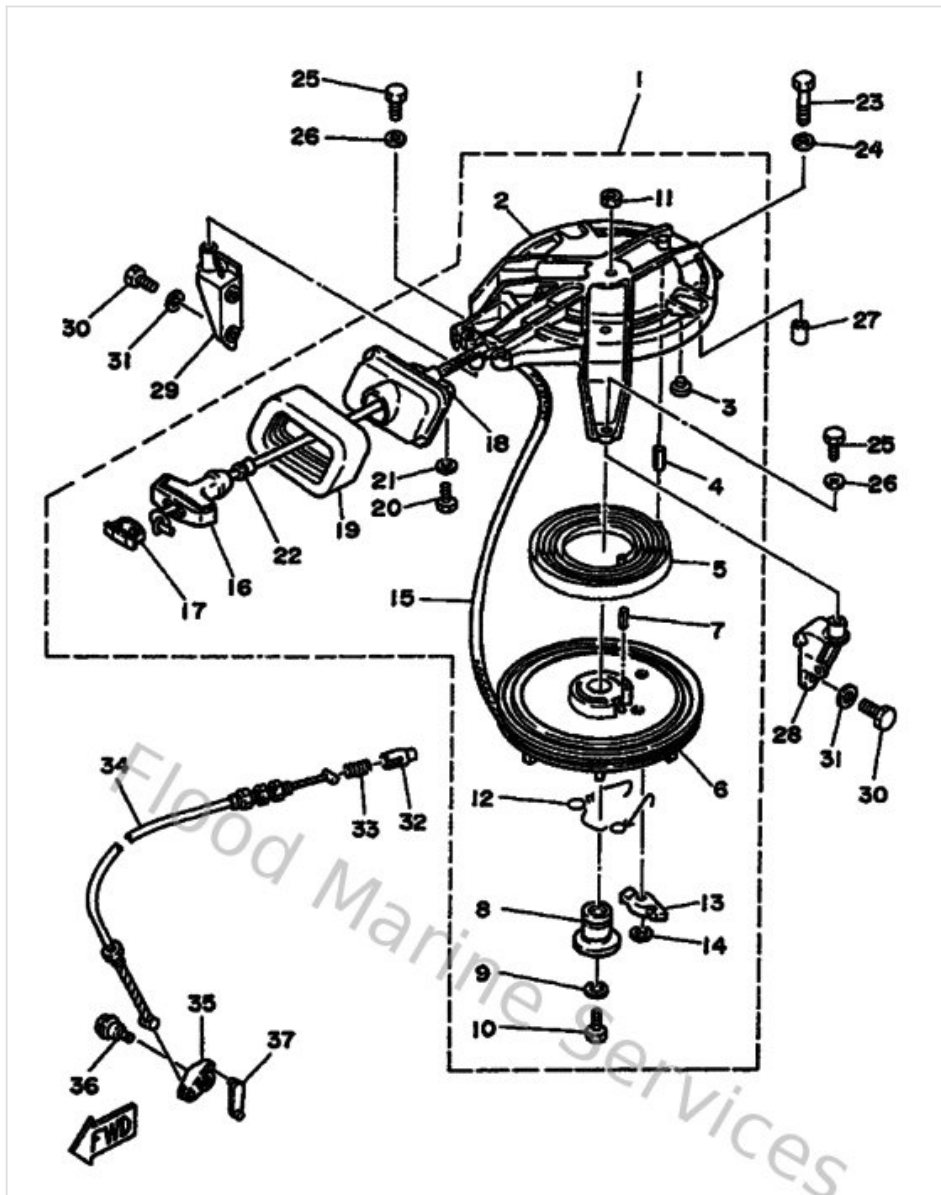
## Repair Kit 2



Ref	Part	
16	<a href="#">682443520100</a> Impeller	<a href="#">Buy now</a>
18	<a href="#">682443230000</a> Outer plate, cartridge	<a href="#">Buy now</a>
19	<a href="#">902800302400</a> Key, woodruff(662)	<a href="#">Buy now</a>
21	<a href="#">682443214000</a> Inner Plate Cartridge(Chrome)	<a href="#">Buy now</a>
22	<a href="#">682443224000</a> Insert, cartridge(chrome)	<a href="#">Buy now</a>
23	<a href="#">682443234000</a> Outer plate, cartridge(chrome)	<a href="#">Buy now</a>
25	<a href="#">682453440000</a> Cover, oil seal	<a href="#">Buy now</a>



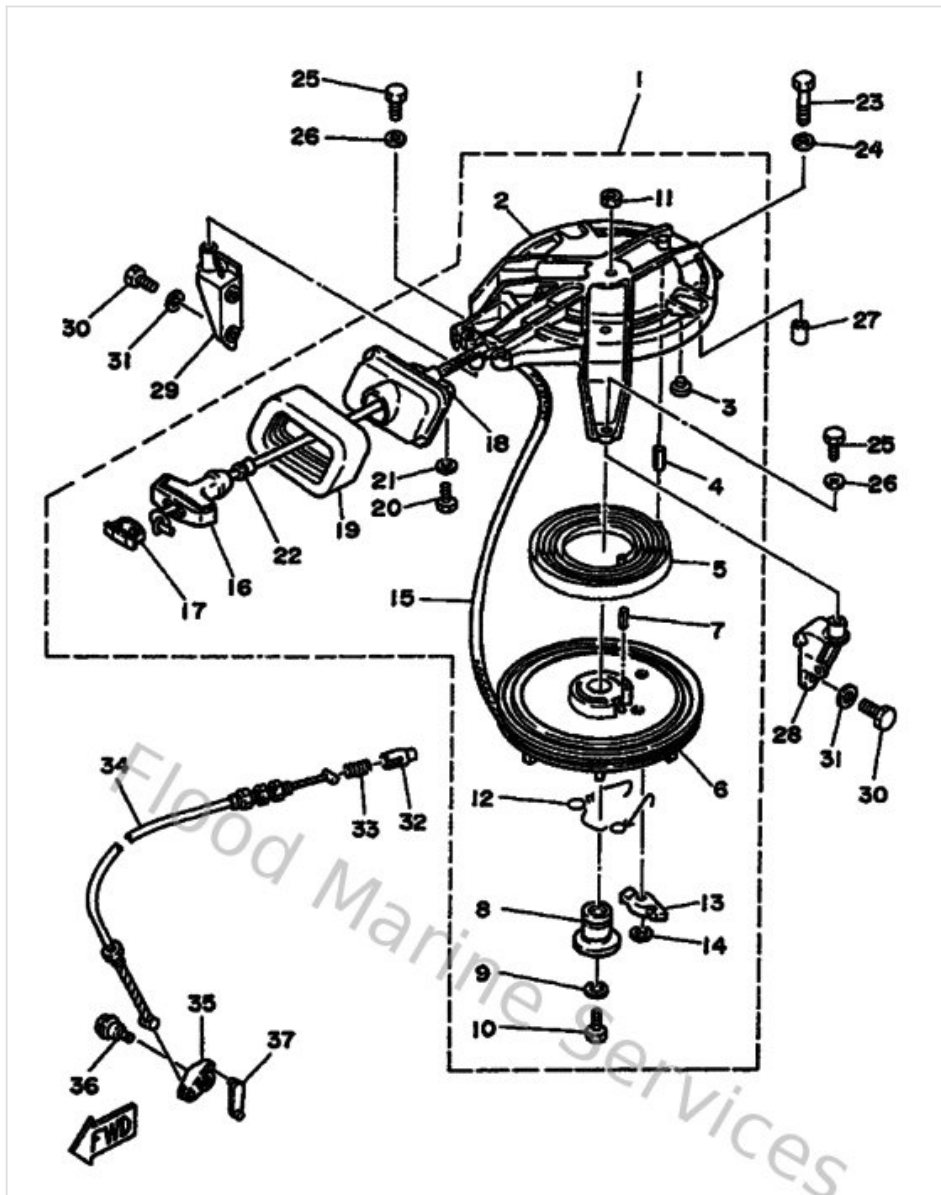
# Starter



Ref	Part	
1	<a href="#">6E7157100494</a> Starter Assembly	<a href="#">Buy now</a>
2	<a href="#">682157117194</a> Case, Starter	<a href="#">Buy now</a>
3	<a href="#">648157730000</a> Stay 3	<a href="#">Buy now</a>
4	<a href="#">916904001600</a> Pin, spring (648)	<a href="#">Buy now</a>
5	<a href="#">9051008M0400</a> Spring, spiral (677)	<a href="#">Buy now</a>
6	<a href="#">677157140094</a> Drum, sheave	<a href="#">Buy now</a>
7	<a href="#">916904002000</a> Pin, spring	<a href="#">Buy now</a>
8	<a href="#">677157170100</a> Shaft	<a href="#">Buy now</a>
9	<a href="#">90201065F300</a> Washer, plate	<a href="#">Buy now</a>
10	<a href="#">973130603000</a> Bolt	<a href="#">Buy now</a>
11	<a href="#">953030660000</a> Nut(661)	<a href="#">Buy now</a>
12	<a href="#">677157050200</a> Spring, pawl drive	<a href="#">Buy now</a>
13	<a href="#">677157410100</a> Pawl, drive	<a href="#">Buy now</a>
14	<a href="#">9343006M0200</a> Circlip (689)	<a href="#">Buy now</a>
16	<a href="#">689157550100</a> Handle, starter	<a href="#">Buy now</a>

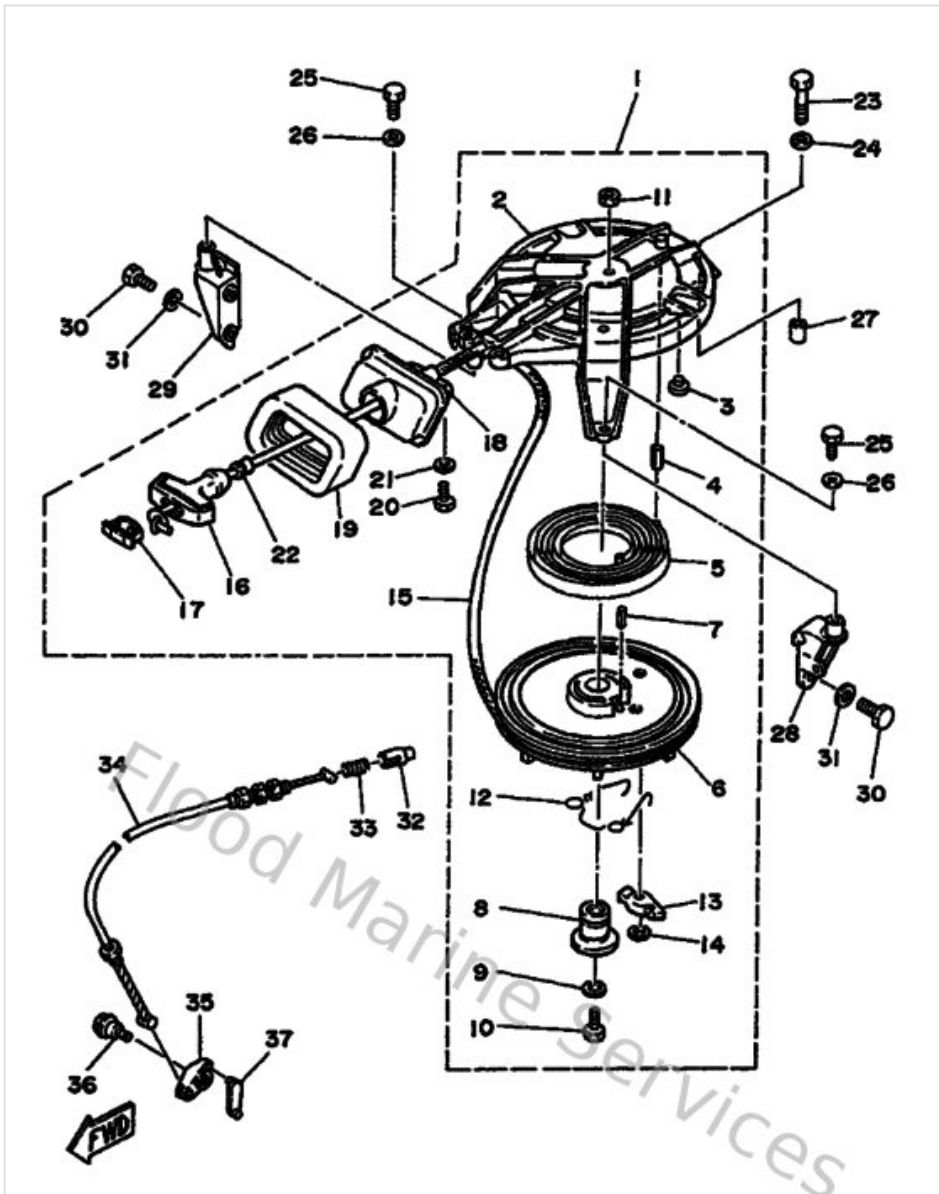


# Starter



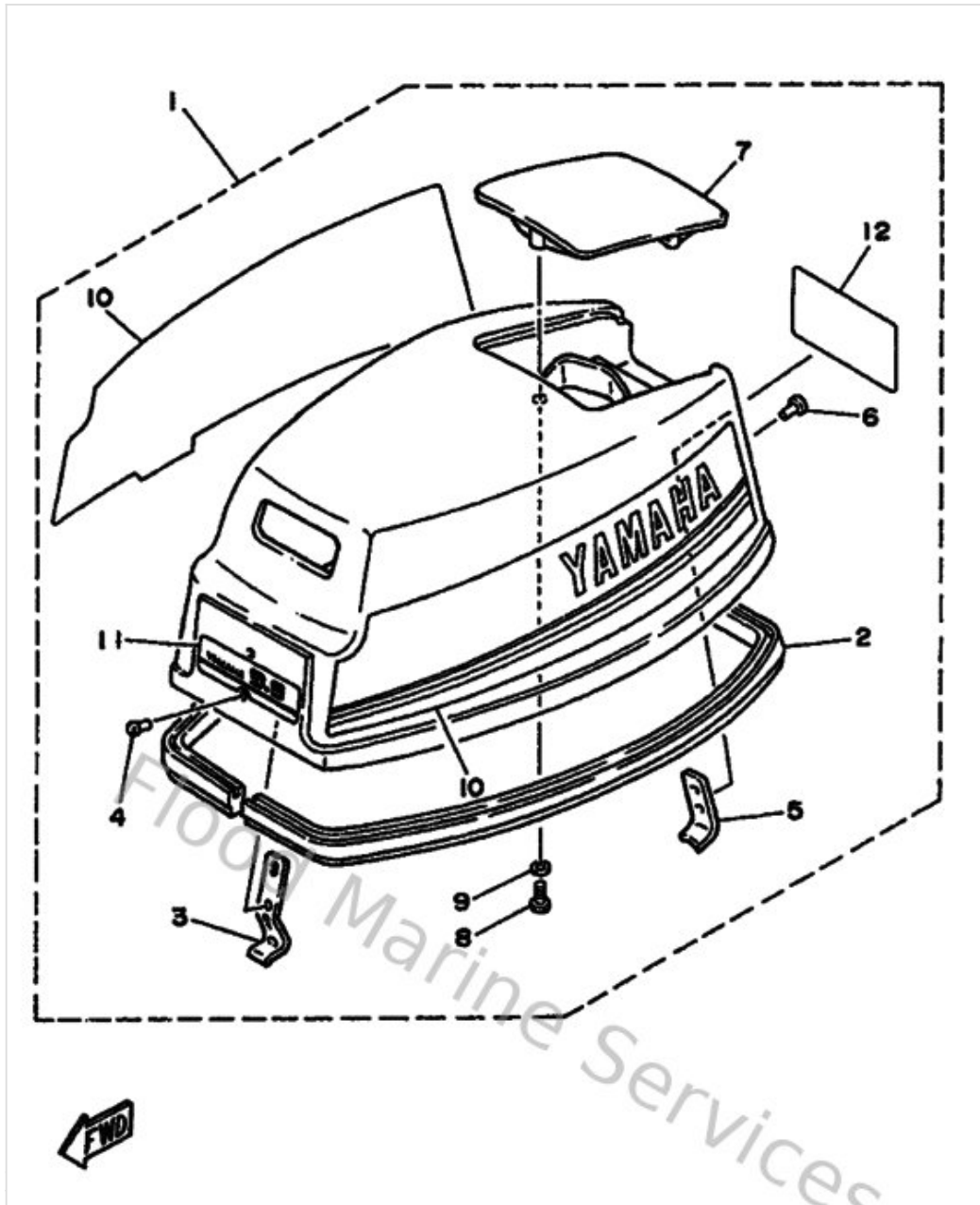
Ref	Part	
17	<a href="#">6F5157790200</a> Cover	<a href="#">Buy now</a>
18	<a href="#">6E7157580094</a> Guide, Rope	<a href="#">Buy now</a>
19	<a href="#">6E7157610000</a> Seal, Rubber 1	<a href="#">Buy now</a>
20	<a href="#">970950601600</a> Bolt, hexagon deep recess	<a href="#">Buy now</a>
21	<a href="#">929900660000</a> Washer, plain (646)	<a href="#">Buy now</a>
22	<a href="#">689157890000</a> Damper	<a href="#">Buy now</a>
23	<a href="#">973950603500</a> Bolt(j52)	<a href="#">Buy now</a>
25	<a href="#">970800602000</a> Bolt(7u8)	<a href="#">Buy now</a>
27	<a href="#">995301001400</a> Pin, dowel	<a href="#">Buy now</a>
28	<a href="#">6E7157710194</a> Stay 1	<a href="#">Buy now</a>
29	<a href="#">6E7157718094</a> Stay 1	<a href="#">Buy now</a>
30	<a href="#">973130601800</a> Bolt, hexagon	<a href="#">Buy now</a>
32	<a href="#">656157480000</a> Plunger, starter stop	<a href="#">Buy now</a>
33	<a href="#">905011022700</a> Spring, comprression(656)	<a href="#">Buy now</a>
34	<a href="#">682157700000</a> Cable Comp., Starter Stop	<a href="#">Buy now</a>

# Starter



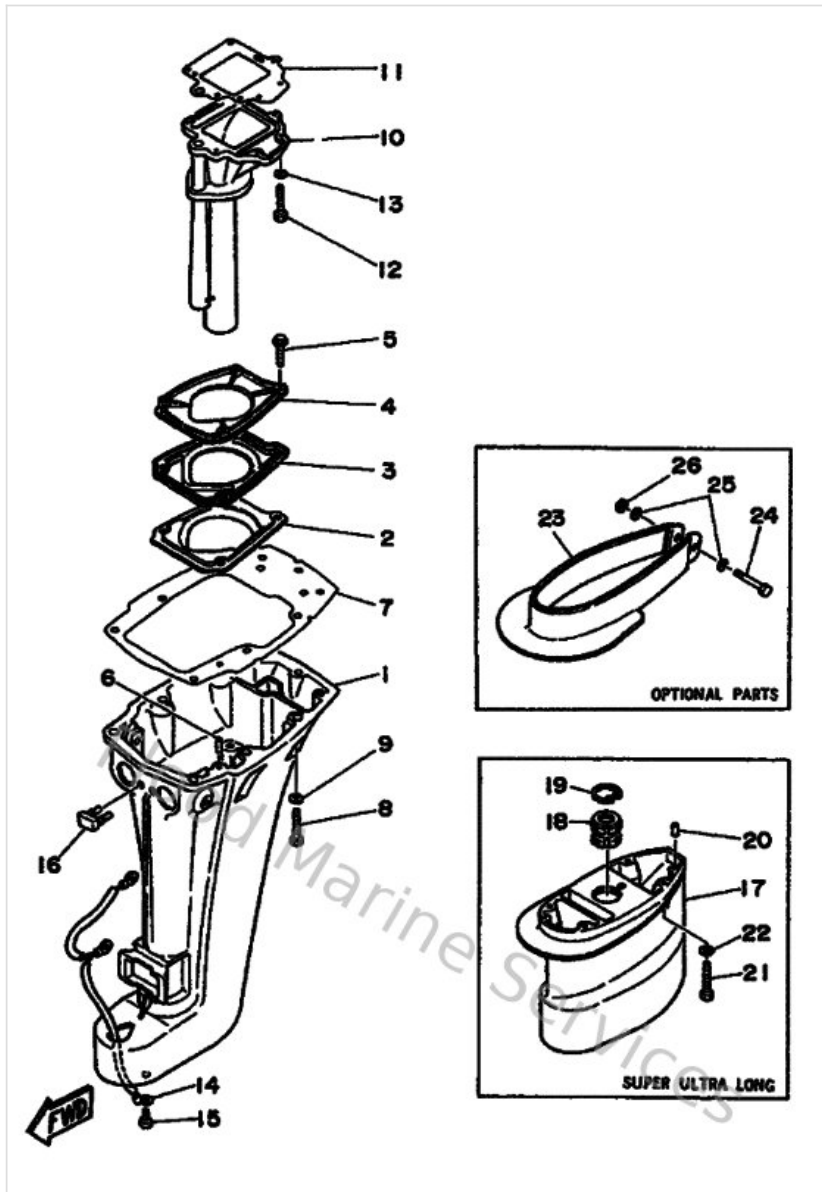
Ref	Part	
35	<a href="#">682157460000</a> Arm	<a href="#">Buy now</a>
36	<a href="#">9010906M0400</a> Bolt	<a href="#">Buy now</a>
37	<a href="#">682157470000</a> Link	<a href="#">Buy now</a>

## Top Cowling



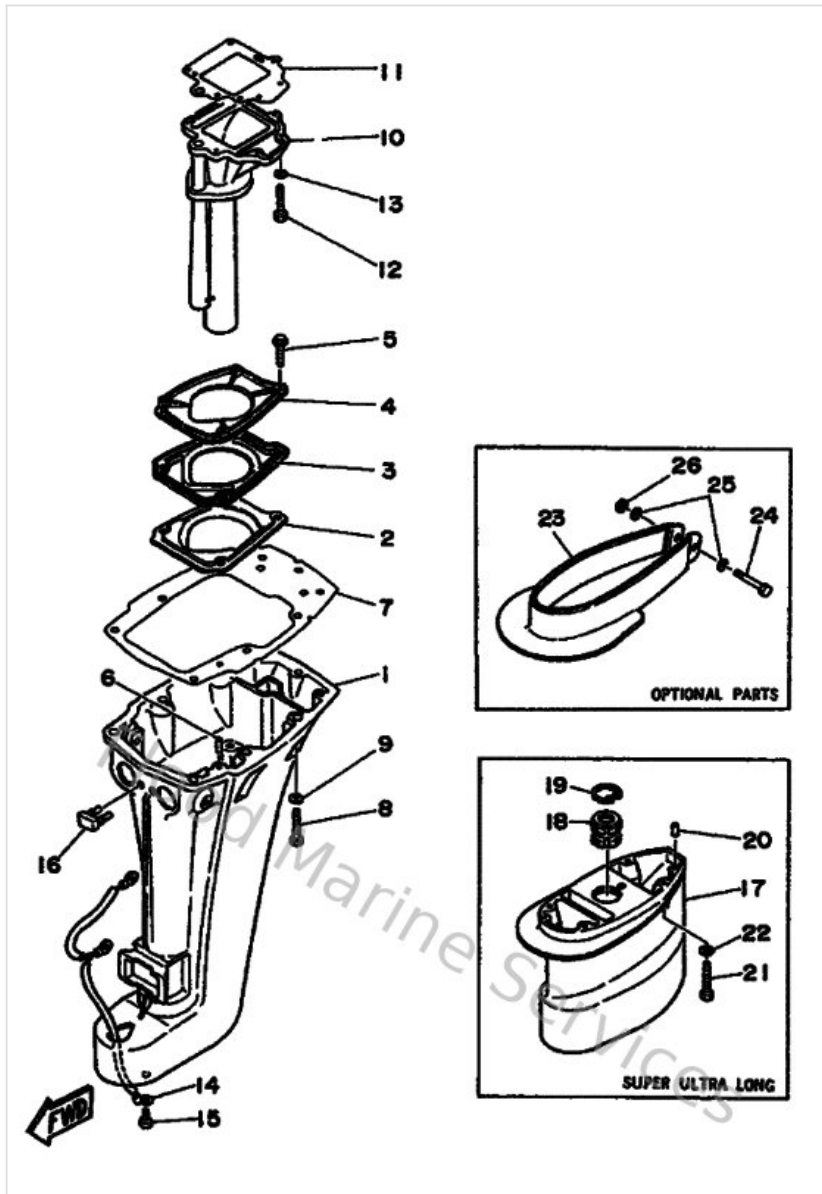
Ref	Part	
2	<a href="#">682426150000</a> Seal	<a href="#">Buy now</a>
4	<a href="#">9026604M0000</a> Rivet 2 (662)	<a href="#">Buy now</a>
5	<a href="#">6E7426520000</a> Hook	<a href="#">Buy now</a>
6	<a href="#">9026604M0400</a> Rivet(6e7)	<a href="#">Buy now</a>
8	<a href="#">973950601600</a> Bolt, hexagon deep recess	<a href="#">Buy now</a>
9	<a href="#">929900660000</a> Washer, plain (646)	<a href="#">Buy now</a>
10	<a href="#">6E7W00702300</a> Graphic Set	<a href="#">Buy now</a>
11	<a href="#">6E7426771000</a> Graphic Front	<a href="#">Buy now</a>
12	<a href="#">6E7426781100</a> Graphic, Rear	<a href="#">Buy now</a>

# Upper Casing



Ref	Part	
2	<a href="#">68245126005B</a> Plate, Seal Damper	<a href="#">Buy now</a>
3	<a href="#">682451270000</a> Seal	<a href="#">Buy now</a>
4	<a href="#">68241116005B</a> Protector	<a href="#">Buy now</a>
5	<a href="#">9010506M0100</a> Bolt (6f5)	<a href="#">Buy now</a>
6	<a href="#">936061201900</a> Pin, dowel (614)	<a href="#">Buy now</a>
7	<a href="#">68245113A300</a> Gasket, upper casing	<a href="#">Buy now</a>
8	<a href="#">973950804000</a> Bolt, hexagon	<a href="#">Buy now</a>
9	<a href="#">929900860000</a> Washer, plain (663)	<a href="#">Buy now</a>
10	<a href="#">68241131015B</a> Manifold, exhaust	<a href="#">Buy now</a>
11	<a href="#">682411330000</a> Gasket,exhaust manifold 1	<a href="#">Buy now</a>
12	<a href="#">970800602000</a> Bolt(7u8)	<a href="#">Buy now</a>
13	<a href="#">929900660000</a> Washer, plain (646)	<a href="#">Buy now</a>
14	<a href="#">6E7821270000</a> Wire, lead 2	<a href="#">Buy now</a>
15	<a href="#">9015706M0600</a> Screw, pan head(6m7)	<a href="#">Buy now</a>
16	<a href="#">682445320000</a> Stopper, upper mount	<a href="#">Buy now</a>

# Upper Casing



Ref	Part	
18	<a href="#">682453180000</a> Bushing, drive shaft	<a href="#">Buy now</a>
19	<a href="#">934203004200</a> Circlip (650)	<a href="#">Buy now</a>
21	<a href="#">970950803500</a> Bolt(70w)	<a href="#">Buy now</a>
24	<a href="#">973950604000</a> Bolt (682)	<a href="#">Buy now</a>
26	<a href="#">953800670000</a> Nut	<a href="#">Buy now</a>

# Disclaimer

This document is provided for convenience only. It is **not** an official Yamaha publication and is **not supplied, endorsed, or approved** by Yamaha Motor Co., Ltd.

Reasonable efforts are made to keep information accurate; however diagrams, part references, supersessions, descriptions, and applicability may contain errors or omissions. Specifications and part availability may change without notice.

You are responsible for confirming the correct parts for your engine (including model code, year, serial range, and any superseded part numbers) before ordering or fitting.