



# Yamaha F20AE 2004

## Parts Manual

[www.floodmarine.co.uk](http://www.floodmarine.co.uk)

+44 2882 246 539

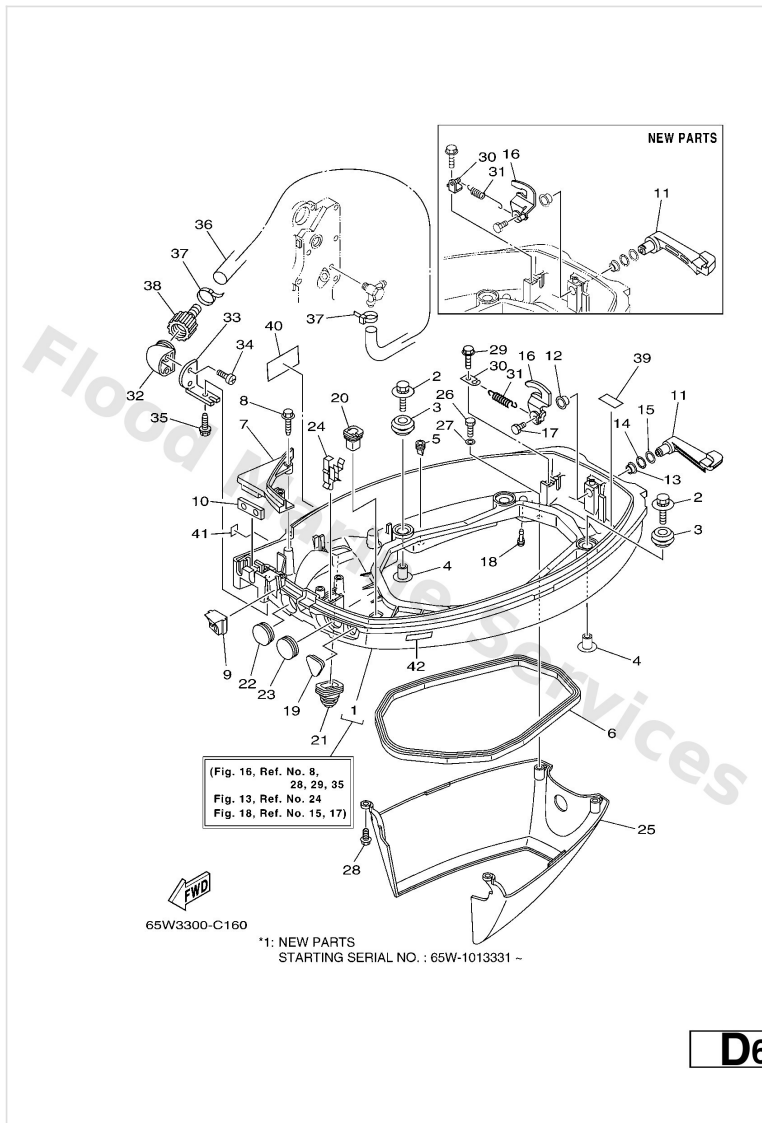
Authorised Yamaha Dealers



# Contents

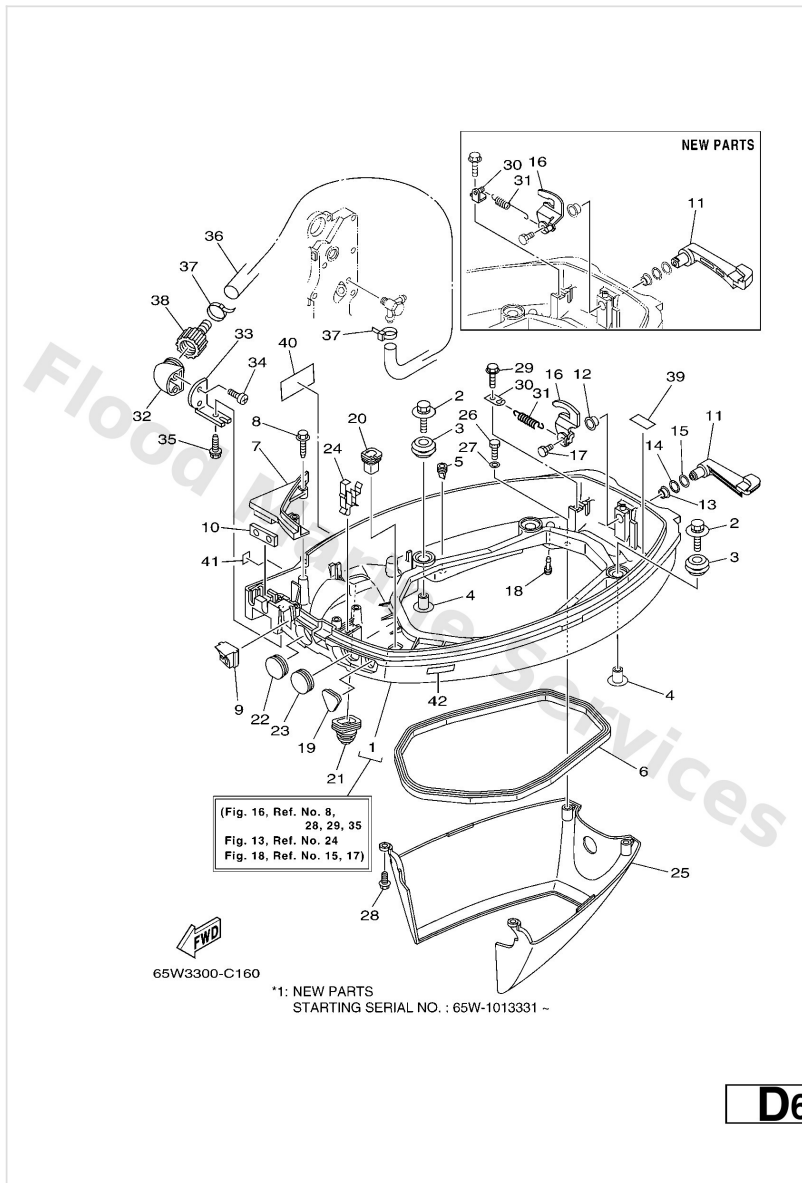
<b>BOTTOM COWLING</b> .....	3
<b>BRACKET 1</b> .....	7
<b>BRACKET 2</b> .....	11
<b>BRACKET 3</b> .....	14
<b>CARBURETOR</b> .....	16
<b>CONTROL</b> .....	19
<b>CRANKSHAFT &amp; PISTON</b> .....	22
<b>CYLINDER &amp; CRANKCASE 1</b> .....	24
<b>CYLINDER &amp; CRANKCASE 2</b> .....	27
<b>ELECTRICAL 1</b> .....	29
<b>ELECTRICAL 2</b> .....	31
<b>ELECTRICAL 3</b> .....	34
<b>FUEL</b> .....	35
<b>FUEL TANK</b> .....	39
<b>GENERATOR</b> .....	40
<b>INTAKE</b> .....	43
<b>LOWER CASING &amp; DRIVE 1</b> .....	45
<b>LOWER CASING &amp; DRIVE 2</b> .....	50
<b>OIL PAN</b> .....	52
<b>OIL PUMP</b> .....	54
<b>POWER TRIM &amp; TILT ASSY</b> .....	56
<b>REMO CON ATTACHMENT</b> .....	61
<b>REMOTE CONTROL ASSY</b> .....	63
<b>REMOTE CONTROL BOX</b> .....	68
<b>REPAIR KIT 1</b> .....	69
<b>REPAIR KIT 2</b> .....	71
<b>REPAIR KIT 3</b> .....	72
<b>STARTER</b> .....	74
<b>STARTING MOTOR</b> .....	78
<b>STEERING</b> .....	79
<b>STEERING GUIDE</b> .....	82
<b>TOP COWLING</b> .....	83
<b>UPPER CASING</b> .....	85
<b>VALVE</b> .....	87

# Bottom Cowling



Ref	Part	
1	<a href="#">65W42710054D</a> Bottom Cowling assembly WITH TAPPING BOLT	<a href="#">Buy now</a>
1	<a href="#">65W42710064D</a> Bottom Cowling assembly WITH TAPPING BOLT *1	<a href="#">Buy now</a>
1	<a href="#">65W42710154D</a> Bottom Cowling assembly WITH TAPPING BOLT	<a href="#">Buy now</a>
1	<a href="#">65W42710164D</a> Bottom Cowling assembly WITH TAPPING BOLT *1	<a href="#">Buy now</a>
2	<a href="#">9011906M08</a> Bolt, with washer	<a href="#">Buy now</a>
3	<a href="#">9048009M12</a> Grommet (6a0)	<a href="#">Buy now</a>
4	<a href="#">9038706060</a> Collar (688)	<a href="#">Buy now</a>
5	<a href="#">65W4271700</a> Rubber, seal 2	<a href="#">Buy now</a>
6	<a href="#">62Y4271600</a> Rubber seal 1	<a href="#">Buy now</a>
7	<a href="#">65W42738014D</a> Plate, fitting	<a href="#">Buy now</a>
8	<a href="#">9010906M82</a> Bolt	<a href="#">Buy now</a>
9	<a href="#">65W4272500</a> Grommet	<a href="#">Buy now</a>
9	<a href="#">65W4272521</a> Grommet	<a href="#">Buy now</a>
10	<a href="#">62Y4272700</a> Grommet	<a href="#">Buy now</a>
10	<a href="#">65W4272700</a> Grommet	<a href="#">Buy now</a>

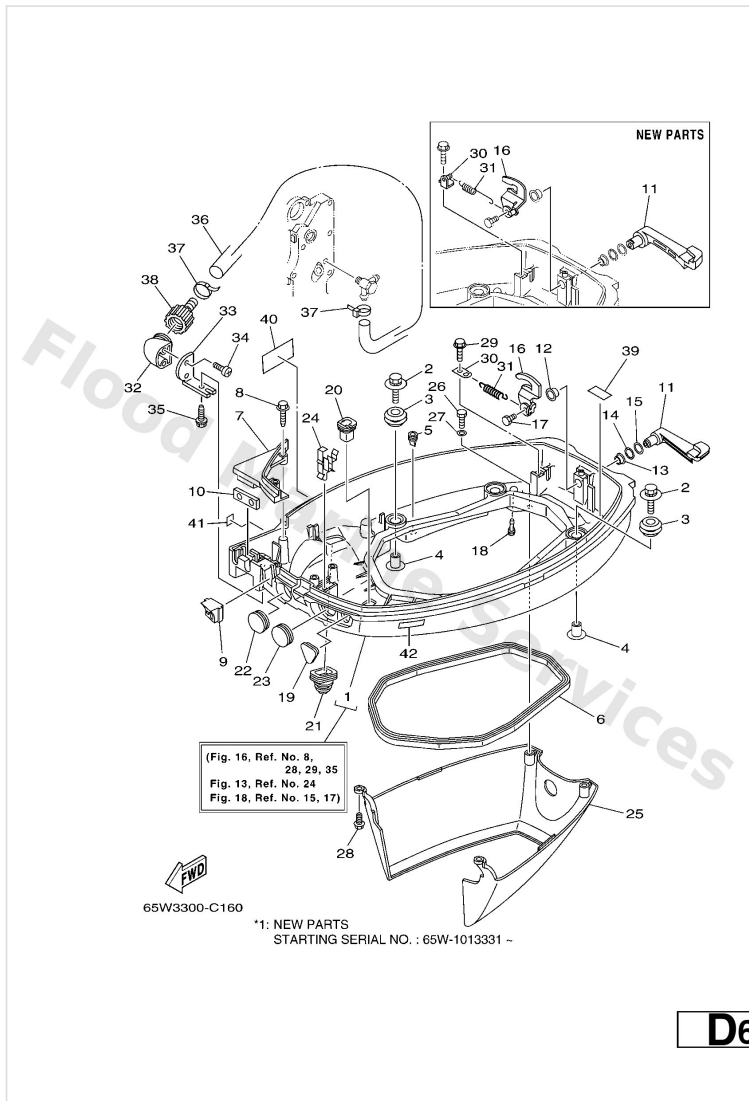
# Bottom Cowling



Ref	Part	
11	<a href="#">65W42815014D</a> Lever, clamp 1	<a href="#">Buy now</a>
11	<a href="#">6D542815004D</a> Lever, clamp 1 NEW PARTS *1	<a href="#">Buy now</a>
12	<a href="#">9038612M37</a> Bushing (6f5)	<a href="#">Buy now</a>
13	<a href="#">9038612MA2</a> Bush	<a href="#">Buy now</a>
14	<a href="#">9020612052</a> Washer, wave (666)	<a href="#">Buy now</a>
15	<a href="#">9020112M07</a> Washer, plate	<a href="#">Buy now</a>
16	<a href="#">65W4281603</a> Lever, Clamp	<a href="#">Buy now</a>
16	<a href="#">6D54281600</a> Lever Clamp NEW PARTS *1	<a href="#">Buy now</a>
17	<a href="#">9709506012</a> Bolt(gh1)	<a href="#">Buy now</a>
18	<a href="#">6H34439101</a> Nipple, hose	<a href="#">Buy now</a>
19	<a href="#">65W2632600</a> Grommet	<a href="#">Buy now</a>
19	<a href="#">65W2632610</a> Grommet	<a href="#">Buy now</a>
20	<a href="#">6824272700</a> Grommet	<a href="#">Buy now</a>
21	<a href="#">65W4272410</a> Grommet FLUSHING KIT	<a href="#">Buy now</a>
21	<a href="#">6H14272621</a> Grommet FLUSHING KIT	<a href="#">Buy now</a>

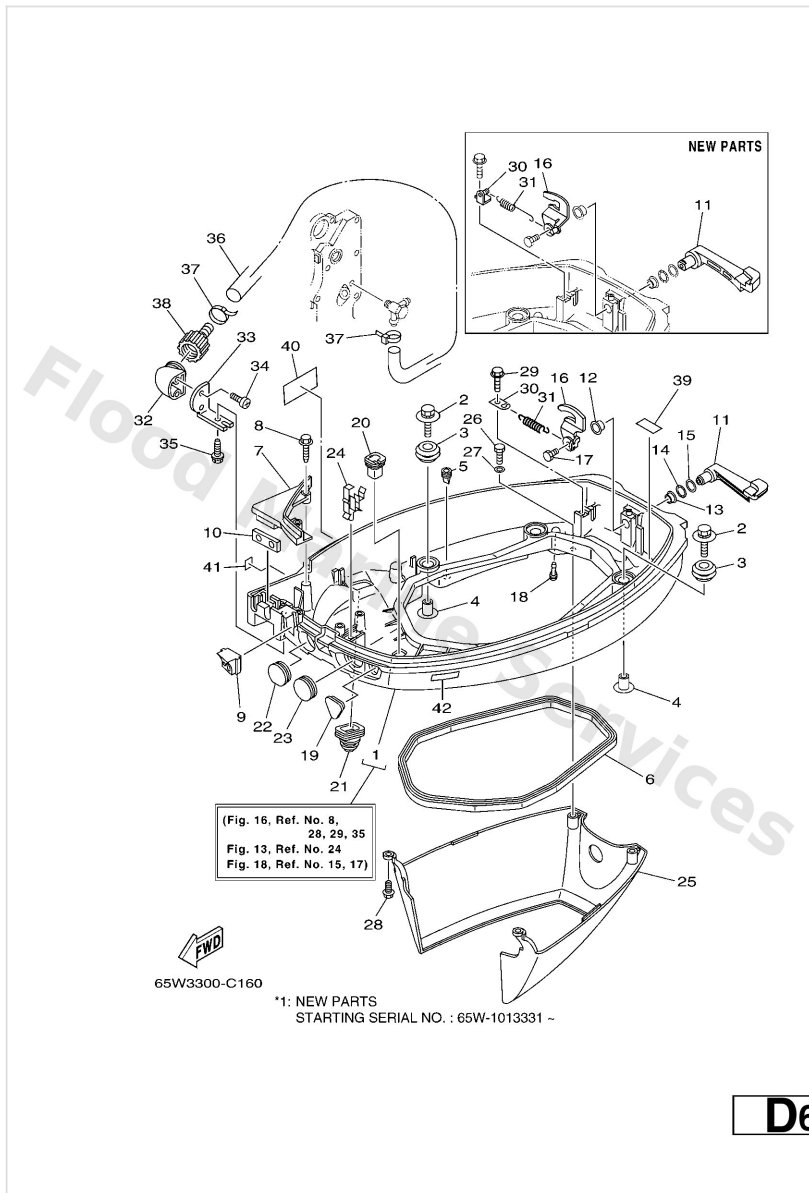


# Bottom Cowling



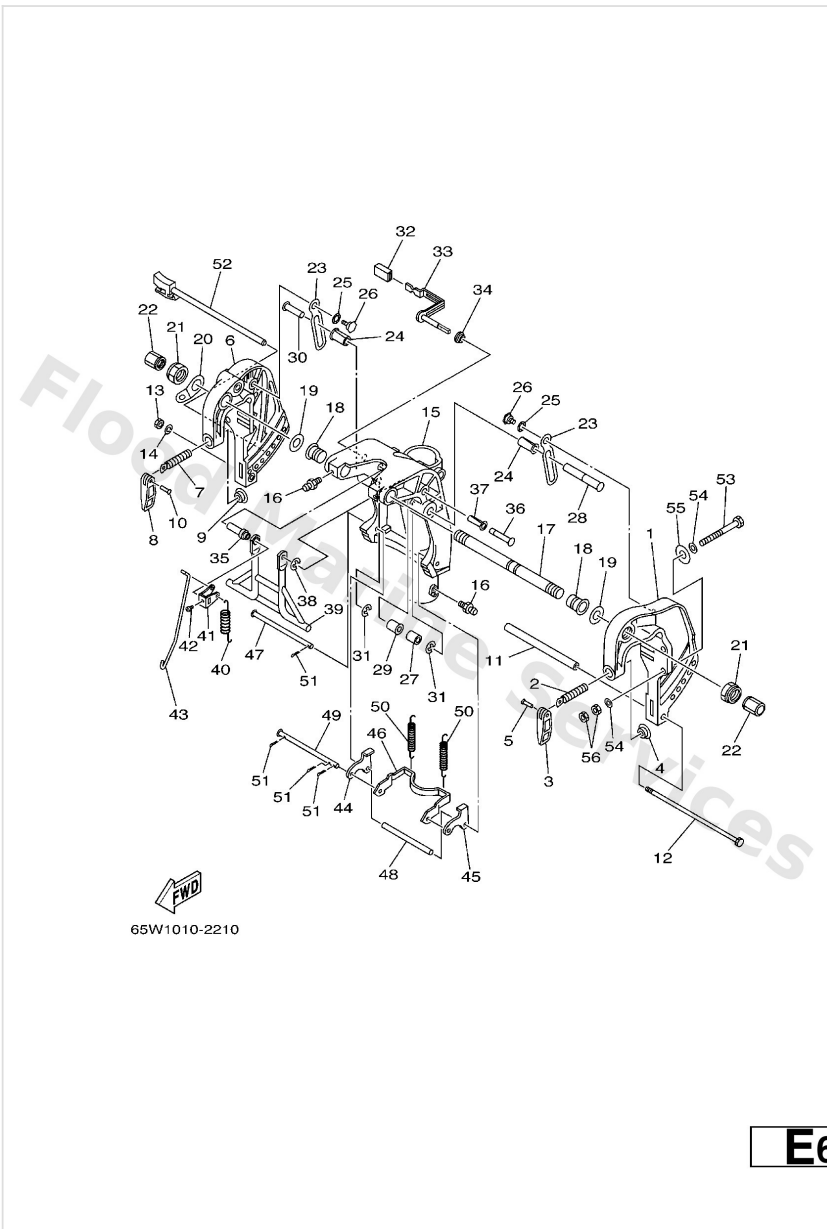
Ref	Part	
22	<a href="#">6G14272500</a> Grommet	<a href="#">Buy now</a>
23	<a href="#">65W4272600</a> Grommet	<a href="#">Buy now</a>
23	<a href="#">65W4272610</a> Grommet	<a href="#">Buy now</a>
24	<a href="#">9046525M57</a> Clamp(63v)	<a href="#">Buy now</a>
25	<a href="#">65W4274101</a> Apron	<a href="#">Buy now</a>
26	<a href="#">9709506014</a> Bolt(gj3)	<a href="#">Buy now</a>
27	<a href="#">9299506600</a> Washer, plain (646)	<a href="#">Buy now</a>
28	<a href="#">9010906M81</a> Bolt	<a href="#">Buy now</a>
35	<a href="#">9010906M86</a> Bolt FLUSHING KIT	<a href="#">Buy now</a>
30	<a href="#">66T4314400</a> Hook, spring	<a href="#">Buy now</a>
30	<a href="#">6D54314400</a> Hook, spring NEW PARTS *1	<a href="#">Buy now</a>
31	<a href="#">9050616M34</a> Spring, tension(64d)	<a href="#">Buy now</a>
31	<a href="#">9050618010</a> Spring Tension NEW PARTS *1	<a href="#">Buy now</a>
32	<a href="#">68T1257200</a> Adapter FLUSHING KIT	<a href="#">Buy now</a>
33	<a href="#">69W1253500</a> Plate FLUSHING KIT	<a href="#">Buy now</a>

# Bottom Cowling



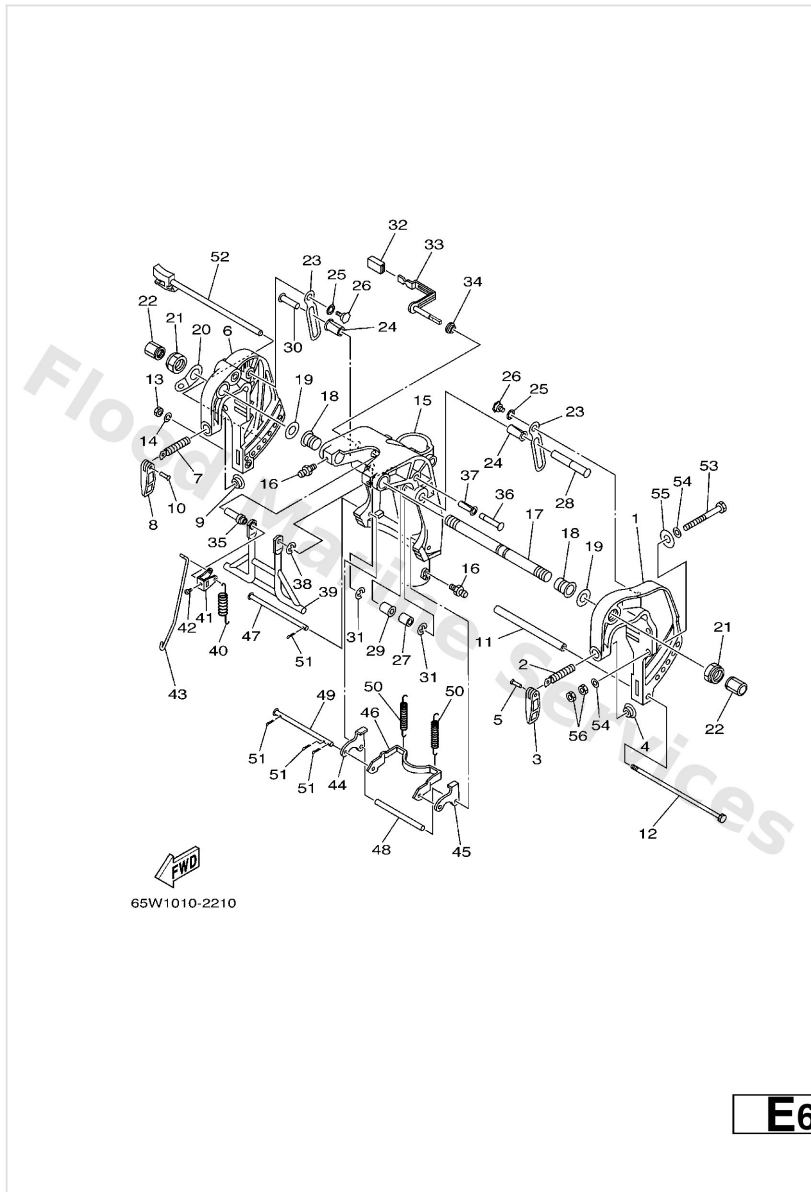
Ref	Part	
34	<a href="#">9016706002</a> Screw, tapping FLUSHING KIT	<a href="#">Buy now</a>
36	<a href="#">9044511M82</a> Hose FLUSHING KIT	<a href="#">Buy now</a>
37	<a href="#">9046511M10</a> Clamp FLUSHING KIT	<a href="#">Buy now</a>
38	<a href="#">6R31258000</a> Joint assembly FLUSHING KIT	<a href="#">Buy now</a>
39	<a href="#">62Y8237700</a> Label	<a href="#">Buy now</a>
40	<a href="#">6G81344451</a> Mark	<a href="#">Buy now</a>
41	<a href="#">6A12817600</a> Label Caution	<a href="#">Buy now</a>
42	<a href="#">6E38257H00</a> Plate Mark	<a href="#">Buy now</a>

# Bracket 1



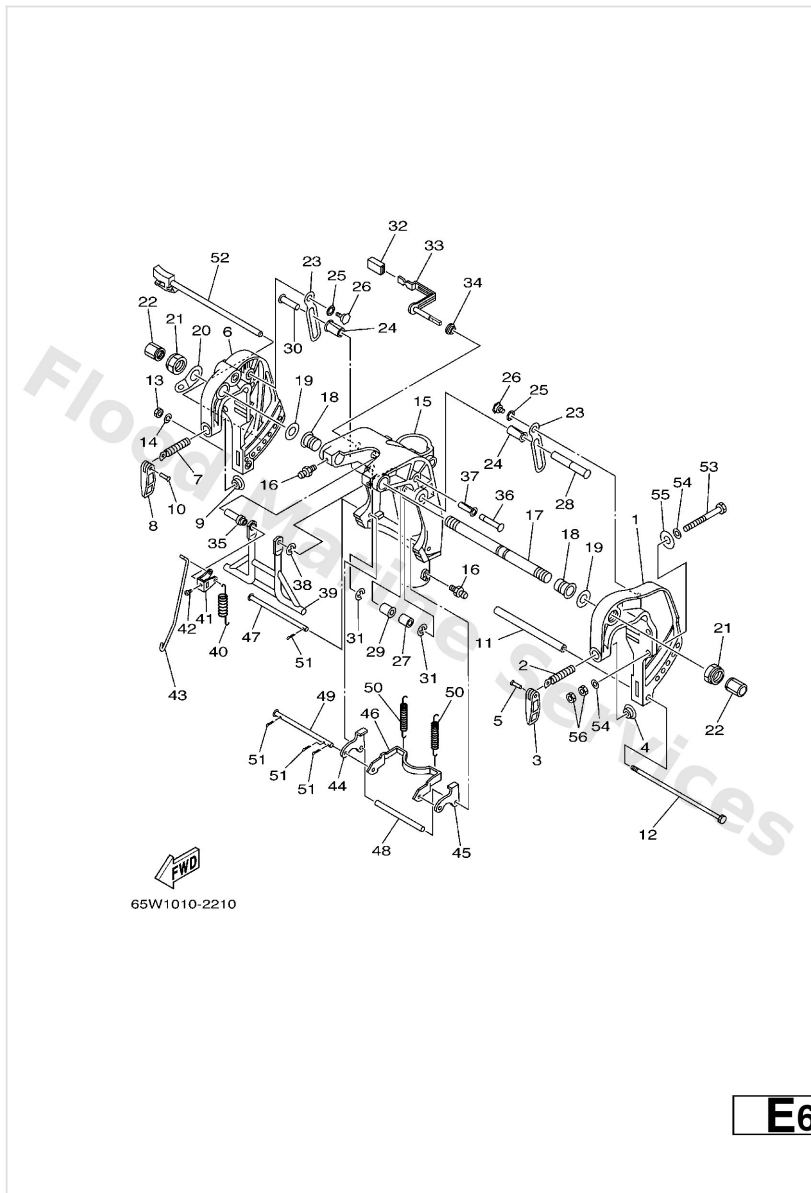
Ref	Part	
1	<a href="#">65W43111024D</a> Bracket, Clamp 1	<a href="#">Buy now</a>
2	<a href="#">9014914M12</a> Screw(6h4)	<a href="#">Buy now</a>
3	<a href="#">66343118014D</a> Handle, transom clamp	<a href="#">Buy now</a>
4	<a href="#">6484311401</a> Pad, transom clamp	<a href="#">Buy now</a>
5	<a href="#">9024304007</a> Pin (663)	<a href="#">Buy now</a>
6	<a href="#">65W43112024D</a> -	<a href="#">Buy now</a>
11	<a href="#">9038708M29</a> Collar	<a href="#">Buy now</a>
12	<a href="#">9010108M76</a> Bolt	<a href="#">Buy now</a>
13	<a href="#">9538008600</a> Nut (661)	<a href="#">Buy now</a>
14	<a href="#">9299008100</a> Ybs67-8 washer, spring	<a href="#">Buy now</a>
15	<a href="#">65W43311004D</a> Bracket, swivel S	<a href="#">Buy now</a>
15	<a href="#">65W43311104D</a> Bracket, swivel 1 L	<a href="#">Buy now</a>
16	<a href="#">9370006M03</a> Nipple, grease(6a1)	<a href="#">Buy now</a>
17	<a href="#">63D4313101</a> Bolt, clamp bracket	<a href="#">Buy now</a>
18	<a href="#">9038622M15</a> Bushing (688)	<a href="#">Buy now</a>

# Bracket 1



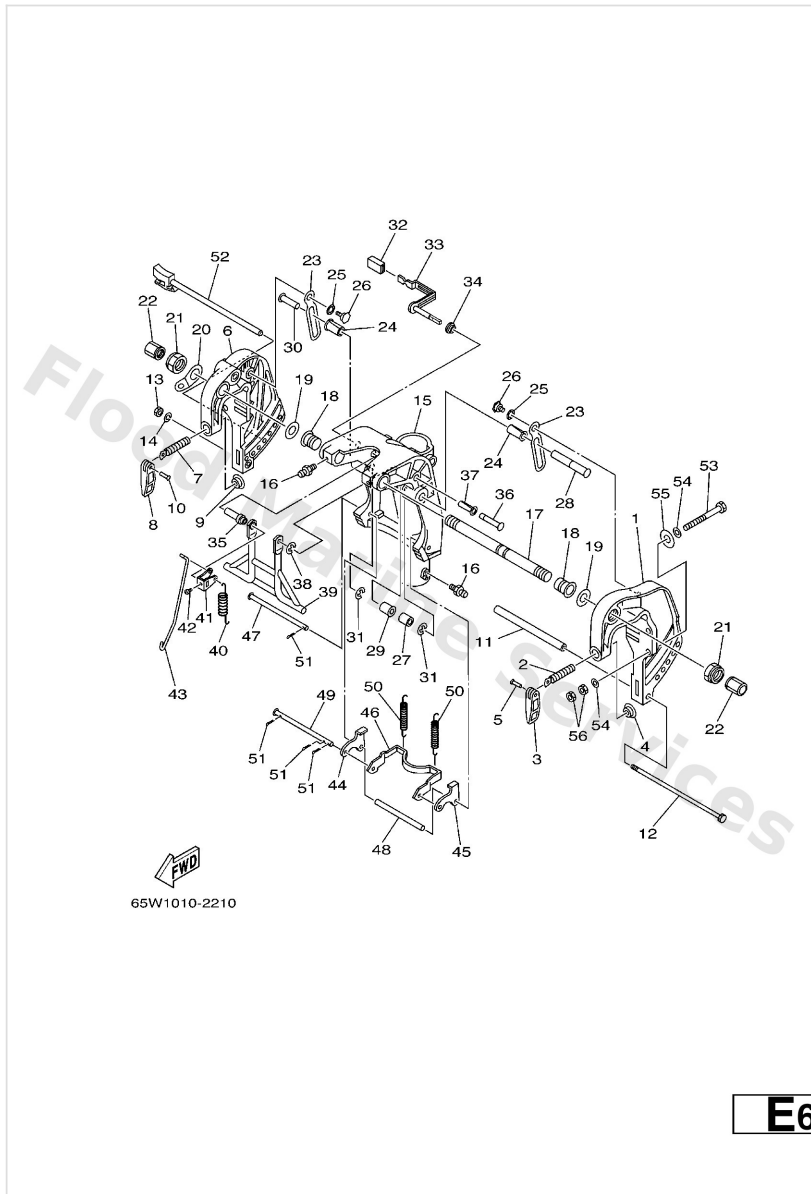
Ref	Part	
19	<a href="#">9020122M03</a> Washer, plate(64j)	<a href="#">Buy now</a>
20	<a href="#">6J84311301</a> Plate, clamp bracket	<a href="#">Buy now</a>
21	<a href="#">9018522M11</a> Nut, self-locking	<a href="#">Buy now</a>
22	<a href="#">6G54314501</a> Cap, clamp bracket	<a href="#">Buy now</a>
23	<a href="#">65W4362701</a> Stopper	<a href="#">Buy now</a>
24	<a href="#">9038612M98</a> Bush	<a href="#">Buy now</a>
25	<a href="#">9020614M23</a> Washer, Wave	<a href="#">Buy now</a>
26	<a href="#">9010908M87</a> Bolt	<a href="#">Buy now</a>
27	<a href="#">9038712M04</a> Collar	<a href="#">Buy now</a>
28	<a href="#">9024912M39</a> Pin	<a href="#">Buy now</a>
29	<a href="#">9038612MA0</a> Bush, solid	<a href="#">Buy now</a>
30	<a href="#">9024912M34</a> Pin	<a href="#">Buy now</a>
31	<a href="#">9343010M00</a> Circlip	<a href="#">Buy now</a>
32	<a href="#">6824331801</a> Cover	<a href="#">Buy now</a>
33	<a href="#">65W4363011</a> Tilt lever assembly	<a href="#">Buy now</a>

# Bracket 1



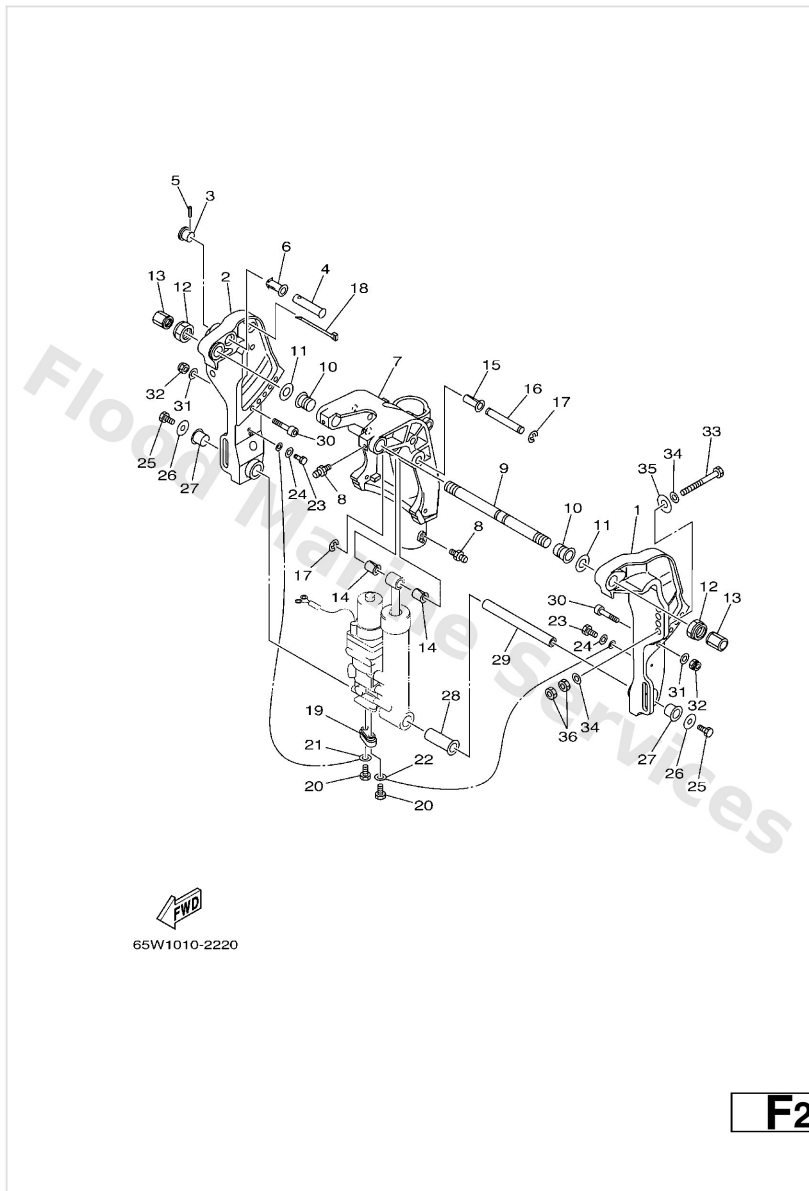
Ref	Part	
34	<a href="#">9038607MA2</a> Bush	<a href="#">Buy now</a>
35	<a href="#">9038707M05</a> Collar	<a href="#">Buy now</a>
36	<a href="#">9024910M31</a> Pin	<a href="#">Buy now</a>
37	<a href="#">9038610M99</a> Bush	<a href="#">Buy now</a>
38	<a href="#">9908008600</a> Circlip	<a href="#">Buy now</a>
39	<a href="#">66T4335002</a> Receiver assembly	<a href="#">Buy now</a>
40	<a href="#">9050620M37</a> Spring, tension	<a href="#">Buy now</a>
41	<a href="#">66T4363111</a> Lever, tilt	<a href="#">Buy now</a>
42	<a href="#">9015705014</a> Screw, pan head	<a href="#">Buy now</a>
43	<a href="#">65W4361600</a> Rod, tilt lock	<a href="#">Buy now</a>
44	<a href="#">65W4361401</a> Plate, tilt lock	<a href="#">Buy now</a>
45	<a href="#">65W4361501</a> Plate, tilt lock	<a href="#">Buy now</a>
46	<a href="#">65W4361300</a> Arm, tilt lock	<a href="#">Buy now</a>
47	<a href="#">9024907M32</a> Pin	<a href="#">Buy now</a>
48	<a href="#">9038707M29</a> Collar	<a href="#">Buy now</a>

# Bracket 1



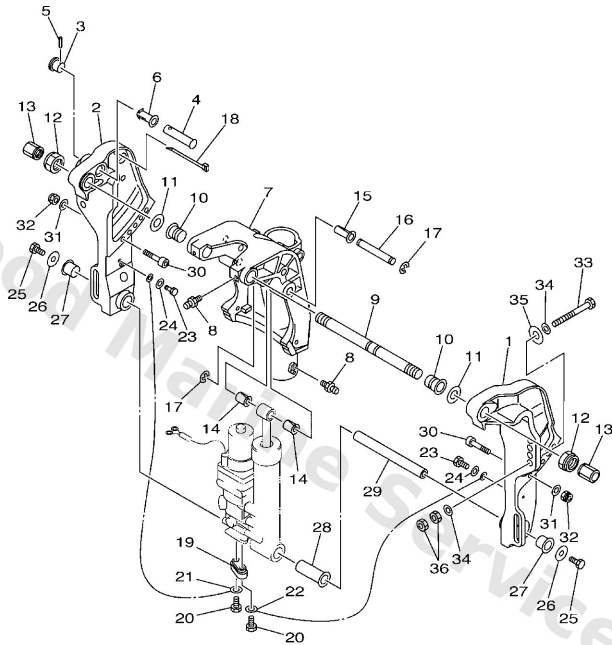
Ref	Part	
49	<a href="#">9024907M33</a> Pin	<a href="#">Buy now</a>
50	<a href="#">9050630M00</a> Spring, tension (676)	<a href="#">Buy now</a>
51	<a href="#">9149020012</a> Pin, cotter (648)	<a href="#">Buy now</a>
52	<a href="#">65W4316000</a> Tilt rod assembly	<a href="#">Buy now</a>
53	<a href="#">9010110M58</a> Bolt	<a href="#">Buy now</a>
54	<a href="#">9299510600</a> Washer, plate	<a href="#">Buy now</a>
55	<a href="#">9020112426</a> Washer, plate(663)	<a href="#">Buy now</a>
56	<a href="#">9538010600</a> Nut(624)	<a href="#">Buy now</a>

# Bracket 2



Ref	Part	
1	<a href="#">65W43111104D</a> Bracket, clamp 1	<a href="#">Buy now</a>
2	<a href="#">65W43112104D</a> Bracket, clamp 2	<a href="#">Buy now</a>
3	<a href="#">65W4319200</a> Knob, stopper	<a href="#">Buy now</a>
4	<a href="#">65W4319100</a> Shaft, stopper	<a href="#">Buy now</a>
5	<a href="#">9169030018</a> 926-51502-00 pin, spring (700)	<a href="#">Buy now</a>
6	<a href="#">9038614MA1</a> Bush	<a href="#">Buy now</a>
7	<a href="#">65W43311104D</a> Bracket, swivel 1 L	<a href="#">Buy now</a>
8	<a href="#">9370006M03</a> Nipple, grease(6a1)	<a href="#">Buy now</a>
9	<a href="#">63D4313101</a> Bolt, clamp bracket	<a href="#">Buy now</a>
10	<a href="#">9038622M15</a> Bushing (688)	<a href="#">Buy now</a>
11	<a href="#">9020122M03</a> Washer, plate(64j)	<a href="#">Buy now</a>
12	<a href="#">9018522M11</a> Nut, self-locking	<a href="#">Buy now</a>
13	<a href="#">6G54314501</a> Cap, clamp bracket	<a href="#">Buy now</a>
14	<a href="#">9038612MA0</a> Bush, solid	<a href="#">Buy now</a>
15	<a href="#">9038612M98</a> Bush	<a href="#">Buy now</a>

## Bracket 2



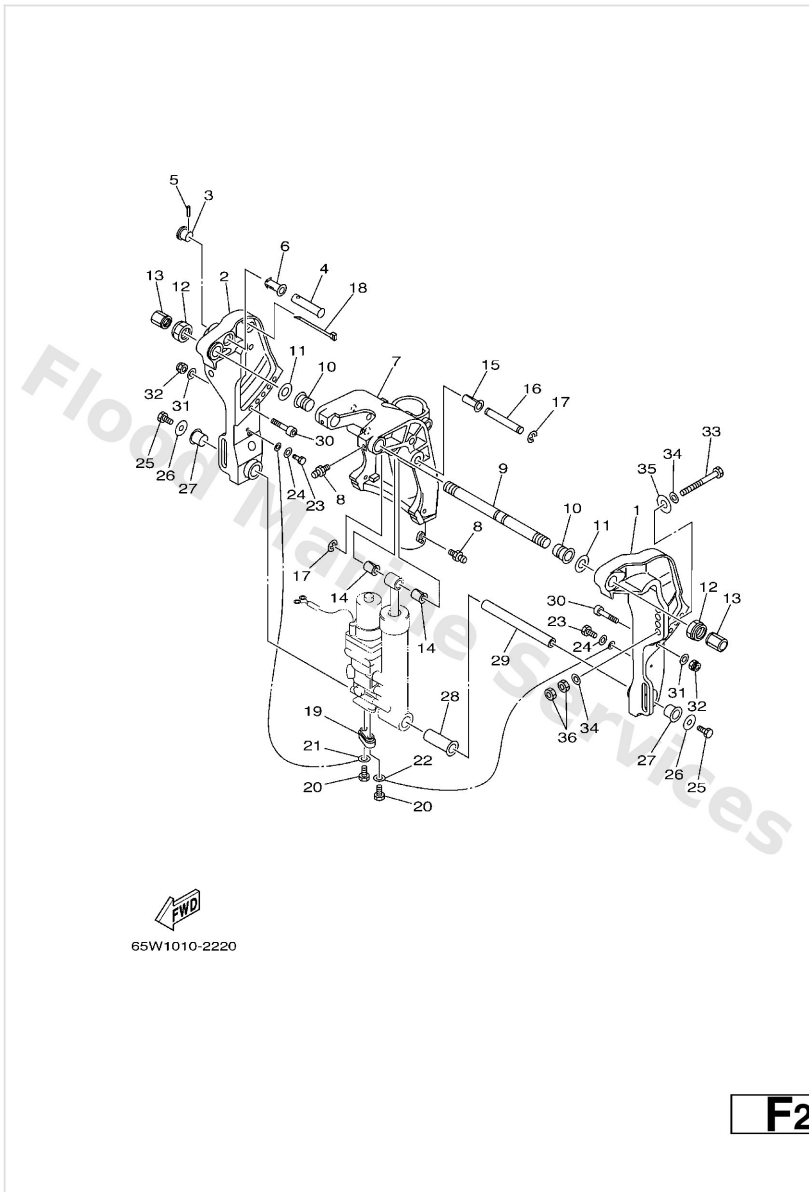
65W1010-2220

**F2**

Ref	Part	
16	<a href="#">9024912M38</a> Pin	<a href="#">Buy now</a>
17	<a href="#">9343010M00</a> Circlip	<a href="#">Buy now</a>
18	<a href="#">9046513M11</a> Clamp (6e5)	<a href="#">Buy now</a>
19	<a href="#">65W4525100</a> Anode	<a href="#">Buy now</a>
20	<a href="#">9010106020</a> Bolt	<a href="#">Buy now</a>
21	<a href="#">6H18214800</a> Wire, lead	<a href="#">Buy now</a>
22	<a href="#">6U08212700</a> Wire, lead 5	<a href="#">Buy now</a>
23	<a href="#">9709506014</a> Bolt(gj3)	<a href="#">Buy now</a>
24	<a href="#">9299506600</a> Washer, plain (646)	<a href="#">Buy now</a>
25	<a href="#">9708008016</a> Bolt	<a href="#">Buy now</a>
26	<a href="#">9020108M00</a> Washer, plate(6e0)	<a href="#">Buy now</a>
27	<a href="#">9038618M44</a> Bushing (6g5)	<a href="#">Buy now</a>
28	<a href="#">9038618MA0</a> Bush	<a href="#">Buy now</a>
29	<a href="#">9024918M35</a> Pin, lower shock mount	<a href="#">Buy now</a>
30	<a href="#">9011010M02</a> Bolt, hexagon socket head	<a href="#">Buy now</a>

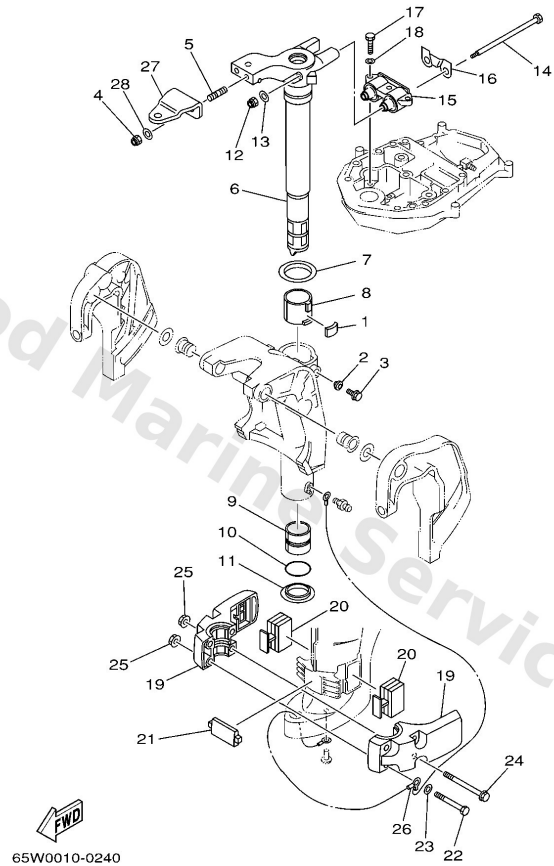


# Bracket 2



Ref	Part	
31	<a href="#">9299510600</a> Washer, plate	<a href="#">Buy now</a>
32	<a href="#">9018510M13</a> Nut, self-locking	<a href="#">Buy now</a>
33	<a href="#">9010112M65</a> Bolt	<a href="#">Buy now</a>
34	<a href="#">9299512200</a> Ybs66-12 washer,plain	<a href="#">Buy now</a>
35	<a href="#">9020112426</a> Washer, plate(663)	<a href="#">Buy now</a>
36	<a href="#">9538012600</a> Nut (707)	<a href="#">Buy now</a>

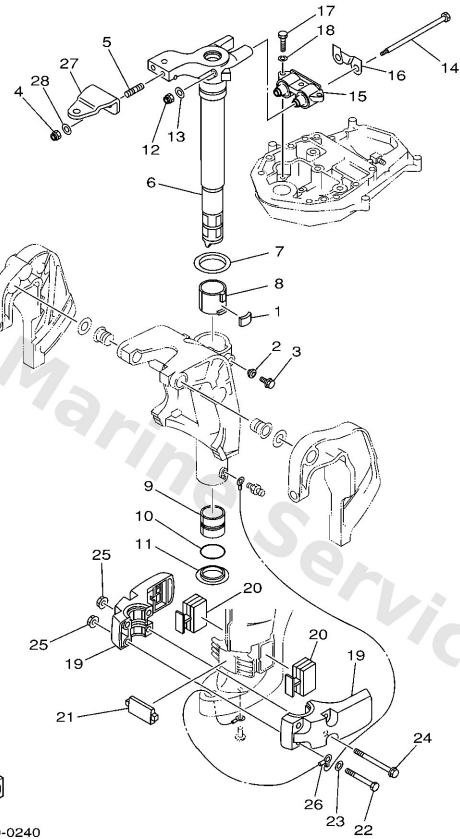
# Bracket 3



**F4**

Ref	Part	
1	<a href="#">6484252800</a> Plate, friction	<a href="#">Buy now</a>
2	<a href="#">65W4337300</a> Seal, damper	<a href="#">Buy now</a>
3	<a href="#">9010508M76</a> Bolt, washer based	<a href="#">Buy now</a>
4	<a href="#">9018510051</a> Nut, self-locking	<a href="#">Buy now</a>
5	<a href="#">9011610M28</a> Bolt, stud	<a href="#">Buy now</a>
6	<a href="#">65W42511004D</a> Bracket, steering S	<a href="#">Buy now</a>
6	<a href="#">65W42511104D</a> Bracket, steering L	<a href="#">Buy now</a>
7	<a href="#">9020952M00</a> Washer (676)	<a href="#">Buy now</a>
8	<a href="#">9038652M02</a> Bushing (676)	<a href="#">Buy now</a>
9	<a href="#">9038644M03</a> Bushing (676)	<a href="#">Buy now</a>
10	<a href="#">9321043MJ0</a> O-ring	<a href="#">Buy now</a>
11	<a href="#">9038644M99</a> Bush	<a href="#">Buy now</a>
12	<a href="#">9018508045</a> Nut, self-locking	<a href="#">Buy now</a>
13	<a href="#">9299508200</a> Ybs66-8 washer, plain	<a href="#">Buy now</a>
14	<a href="#">9010108M86</a> Bolt (6h4)	<a href="#">Buy now</a>

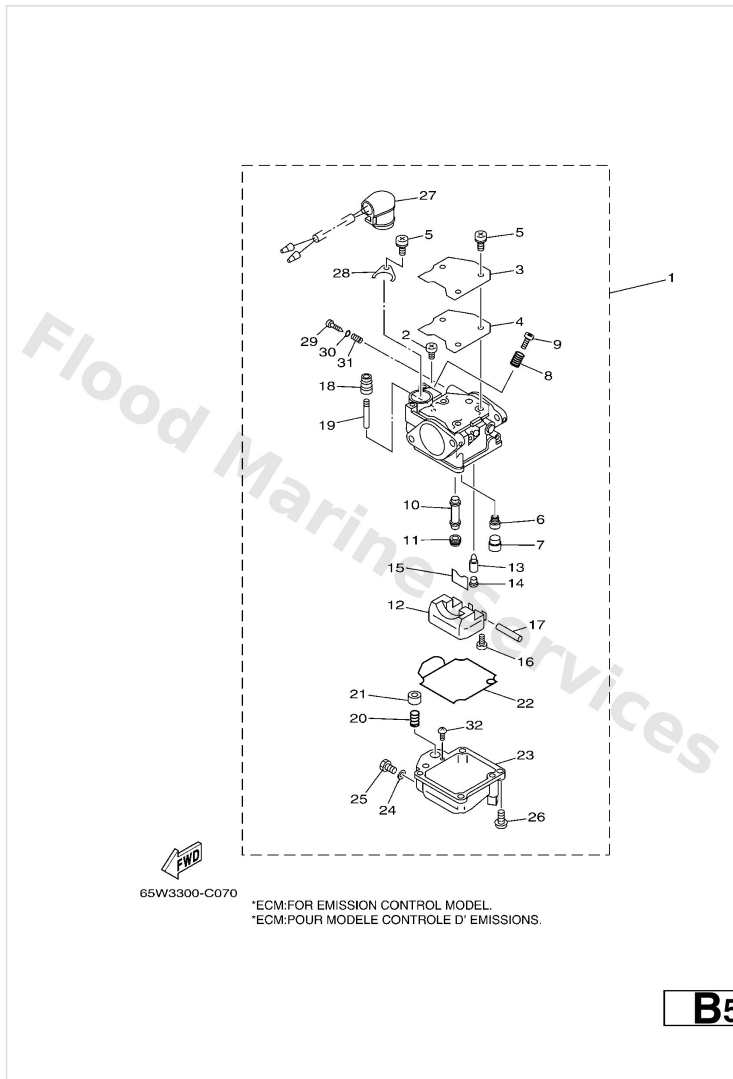
# Bracket 3



**F4**

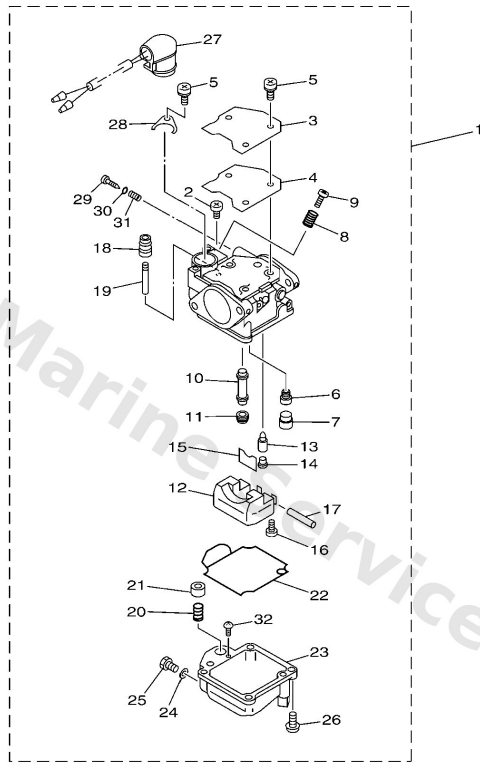
Ref	Part	
15	<a href="#">67C44514204D</a> Mount damper, upper side	<a href="#">Buy now</a>
16	<a href="#">66T4452630</a> Plate	<a href="#">Buy now</a>
17	<a href="#">9707508030</a> Bolt, hexagon (fj1)	<a href="#">Buy now</a>
18	<a href="#">9299508100</a> Ybs67-8 washer, spring	<a href="#">Buy now</a>
19	<a href="#">65W44551114D</a> Housing, lower mount rubber 1	<a href="#">Buy now</a>
20	<a href="#">65W4455500</a> Mount damper, lower side	<a href="#">Buy now</a>
21	<a href="#">65W4457501</a> Damper, lower mount rubber	<a href="#">Buy now</a>
22	<a href="#">9707510080</a> Bolt, hexagon w/w deep recess	<a href="#">Buy now</a>
23	<a href="#">9299510600</a> Washer, plate	<a href="#">Buy now</a>
24	<a href="#">9011910M14</a> Bolt, with washer	<a href="#">Buy now</a>
25	<a href="#">9017910M33</a> Nut	<a href="#">Buy now</a>
26	<a href="#">65W8212710</a> Wire, lead 2	<a href="#">Buy now</a>
27	<a href="#">65W4851100</a> Hook, steering	<a href="#">Buy now</a>
28	<a href="#">9020110120</a> Washer, plate	<a href="#">Buy now</a>

# Carburetor



Ref	Part	
1	<a href="#">65W1490101</a> Carburetor assembly 1 FOR STD	<a href="#">Buy now</a>
1	<a href="#">65W1490111</a> Carburetor assembly 1 FOR STD	<a href="#">Buy now</a>
1	<a href="#">65W1490131</a> Carburetor assembly 1 *ECM-F25A ONLY	<a href="#">Buy now</a>
2	<a href="#">9858004006</a> Screw, pan head (7h3)	<a href="#">Buy now</a>
3	<a href="#">65W1457200</a> Plate	<a href="#">Buy now</a>
4	<a href="#">65W1412600</a> Gasket FOR STD	<a href="#">Buy now</a>
4	<a href="#">65W1412610</a> Gasket *ECM-F25A ONLY	<a href="#">Buy now</a>
5	<a href="#">9780304010</a> Screw, pan head (e56)	<a href="#">Buy now</a>
6	<a href="#">65W1494807</a> Jet (#50) *ECM-F25A ONLY	<a href="#">Buy now</a>
6	<a href="#">6761494807</a> Jet (#50) FOR STD	<a href="#">Buy now</a>
7	<a href="#">6791496600</a> Rubber cap	<a href="#">Buy now</a>
8	<a href="#">9050110326</a> Spring coil(663)(carb)	<a href="#">Buy now</a>
9	<a href="#">63V1452300</a> Screw, stop	<a href="#">Buy now</a>
10	<a href="#">65W1494700</a> Jet Needle FOR STD	<a href="#">Buy now</a>
10	<a href="#">65W1494720</a> Jet, Needle *ECM-F25A ONLY	<a href="#">Buy now</a>

# Carburetor



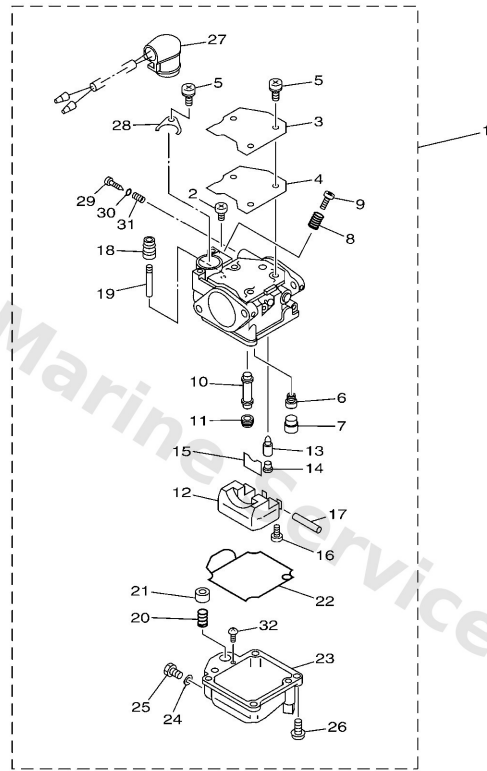
 65W3300-C070

\*ECM:FOR EMISSION CONTROL MODEL.  
\*ECM:POUR MODELE CONTROLE D' EMISSIONS.

**B5**

Ref	Part	
11	<a href="#">65W1494328</a> Jet, Main (#105) <b>*ECM-F25A ONLY</b>	<a href="#">Buy now</a>
11	<a href="#">65W1494329</a> Jet, main (#112) <b>FOR STD</b>	<a href="#">Buy now</a>
12	<a href="#">63V1498500</a> Float	<a href="#">Buy now</a>
13	<a href="#">6G11454601</a> Valve, needle	<a href="#">Buy now</a>
14	<a href="#">6761418600</a> Pin, valve	<a href="#">Buy now</a>
15	<a href="#">6631415900</a> Clip	<a href="#">Buy now</a>
16	<a href="#">9858004008</a> Screw, pan head (713)	<a href="#">Buy now</a>
17	<a href="#">6H41454800</a> Pin, float arm	<a href="#">Buy now</a>
18	<a href="#">65W1437300</a> Cover, plunger cap	<a href="#">Buy now</a>
19	<a href="#">65W1437900</a> Rod, starter	<a href="#">Buy now</a>
20	<a href="#">65W1433500</a> Spring, plunger	<a href="#">Buy now</a>
21	<a href="#">65W1437100</a> Plunger, starter	<a href="#">Buy now</a>
22	<a href="#">65W1438400</a> Gasket, float chamber	<a href="#">Buy now</a>
23	<a href="#">65W1498000</a> Body, float chamber <b>FOR STD</b>	<a href="#">Buy now</a>
23	<a href="#">65W1498020</a> Body, float chamber <b>FOR STD</b>	<a href="#">Buy now</a>

# Carburetor



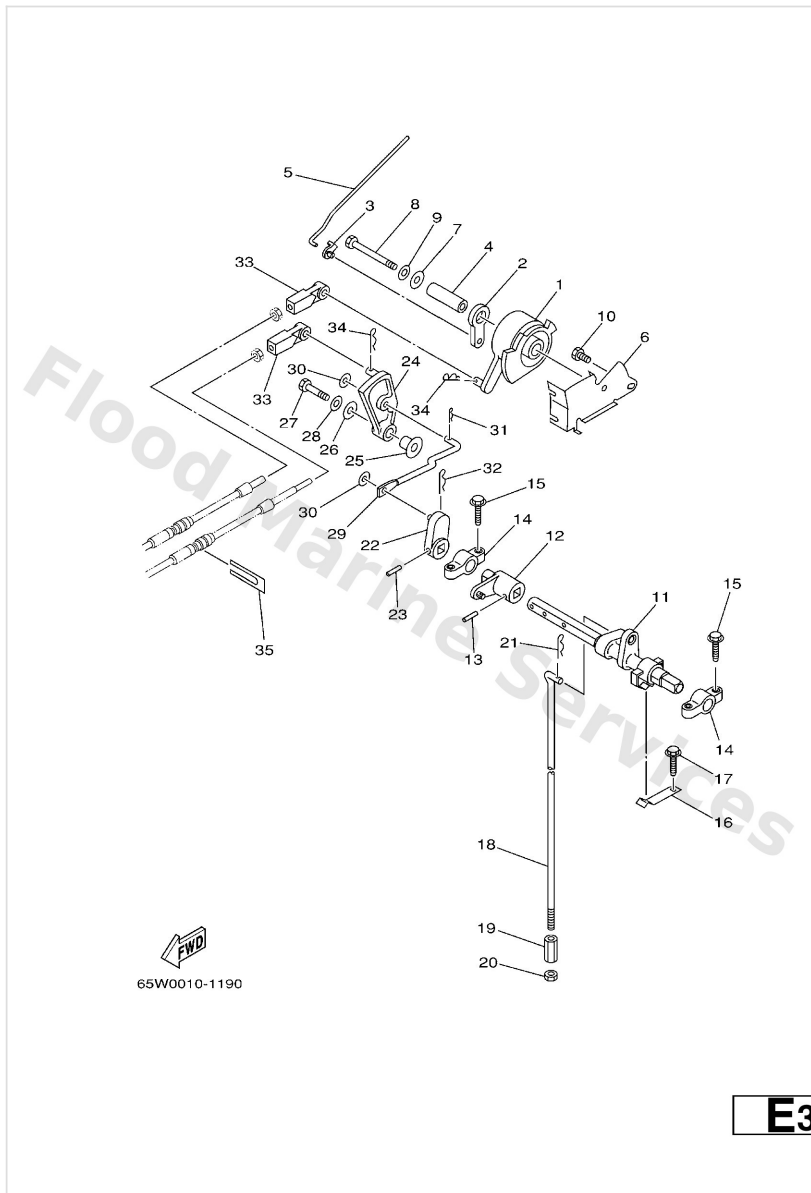
65W3300-C070

\*ECM:FOR EMISSION CONTROL MODEL.  
\*ECM:POUR MODELE CONTROLE D' EMISSIONS.

**B5**

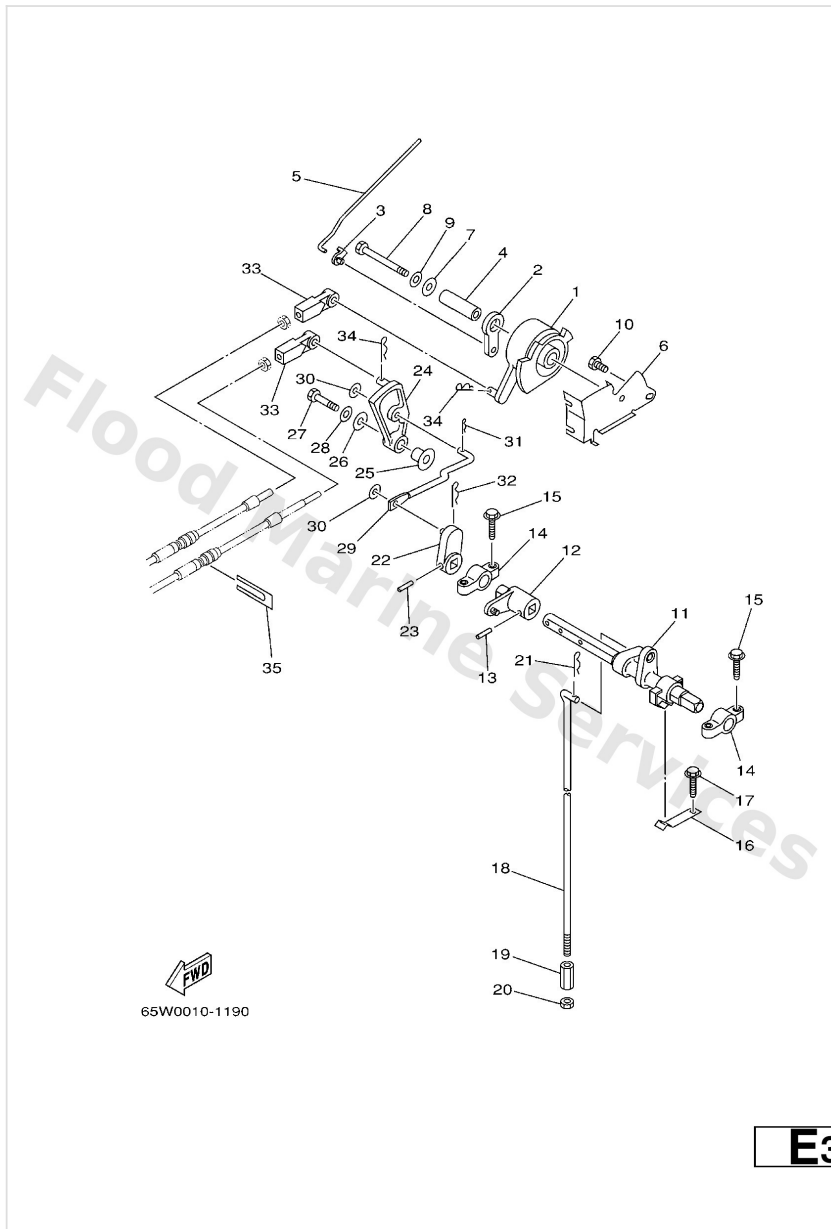
Ref	Part	
24	<a href="#">65W1439800</a> Washer	<a href="#">Buy now</a>
25	<a href="#">65W1499200</a> Screw, drain	<a href="#">Buy now</a>
26	<a href="#">9798004114</a> Screw, pan head(ga5)	<a href="#">Buy now</a>
27	<a href="#">65W1438000</a> Prime starter assembly FOR STD	<a href="#">Buy now</a>
27	<a href="#">65W1438020</a> Prime starter assembly FOR STD	<a href="#">Buy now</a>
28	<a href="#">65W1434600</a> Plate	<a href="#">Buy now</a>
29	<a href="#">65W1492310</a> Screw, pilot *ECM-F25A ONLY	<a href="#">Buy now</a>
29	<a href="#">67C1492300</a> Screw, pilot FOR STD	<a href="#">Buy now</a>
30	<a href="#">67C1439700</a> O-ring	<a href="#">Buy now</a>
31	<a href="#">67C1455500</a> Spring	<a href="#">Buy now</a>
32	<a href="#">67C1456700</a> Screw	<a href="#">Buy now</a>

# Control



Ref	Part	
1	<a href="#">65W4163800</a> Pulley	<a href="#">Buy now</a>
2	<a href="#">65W4128300</a> Lever, free accel.	<a href="#">Buy now</a>
3	<a href="#">6614126202</a> Joint, choke lever	<a href="#">Buy now</a>
4	<a href="#">9038706064</a> Collar	<a href="#">Buy now</a>
5	<a href="#">65W4121100</a> Link Accel.	<a href="#">Buy now</a>
6	<a href="#">65W1449701</a> Stay, Throttle Wire	<a href="#">Buy now</a>
7	<a href="#">9020106M31</a> Washer (6a0)	<a href="#">Buy now</a>
8	<a href="#">9709506055</a> Bolt, hexagon w/w deep recess	<a href="#">Buy now</a>
9	<a href="#">9299506600</a> Washer, plain (646)	<a href="#">Buy now</a>
10	<a href="#">9709506010</a> Bolt	<a href="#">Buy now</a>
11	<a href="#">65W4412100</a> Lever, shift rod	<a href="#">Buy now</a>
12	<a href="#">65W4412200</a> Bushing, Shift Rod Lever	<a href="#">Buy now</a>
13	<a href="#">9025403M05</a> Pin, spring	<a href="#">Buy now</a>
14	<a href="#">6F54166200</a> Bracket 2	<a href="#">Buy now</a>
15	<a href="#">9010906M81</a> Bolt	<a href="#">Buy now</a>

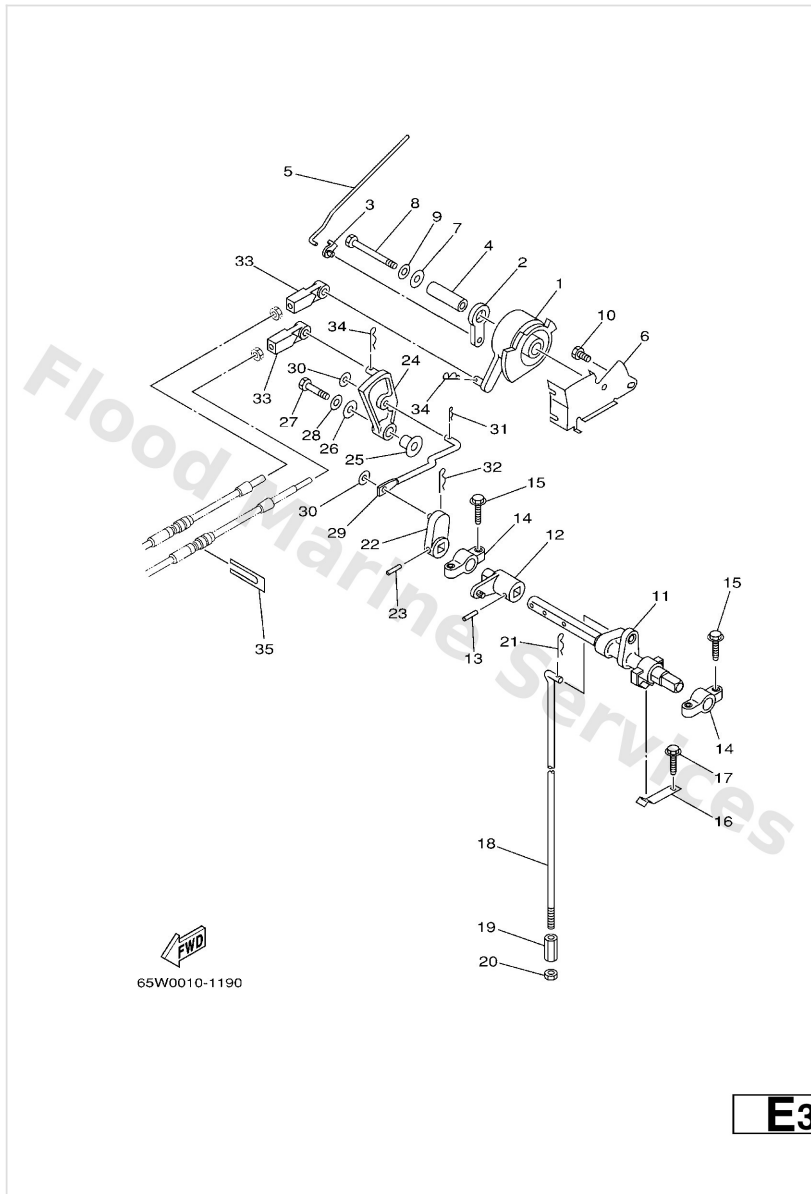
# Control



Ref	Part	
16	<a href="#">65W4411600</a> Spring	<a href="#">Buy now</a>
17	<a href="#">9010906M86</a> Bolt	<a href="#">Buy now</a>
18	<a href="#">65W4414300</a> Rod, shift S	<a href="#">Buy now</a>
18	<a href="#">65W4414310</a> Rod, shift L	<a href="#">Buy now</a>
19	<a href="#">9017006015</a> Connector, shift rod	<a href="#">Buy now</a>
20	<a href="#">9538006700</a> Nut	<a href="#">Buy now</a>
21	<a href="#">9046818008</a> Clip 620436610000	<a href="#">Buy now</a>
22	<a href="#">65W4414200</a> Joint	<a href="#">Buy now</a>
24	<a href="#">65W4412500</a> Lever, shift rod	<a href="#">Buy now</a>
25	<a href="#">9038706M29</a> Coller (6a0)	<a href="#">Buy now</a>
27	<a href="#">9709506025</a> Bolt	<a href="#">Buy now</a>
29	<a href="#">65W4419200</a> Joint, rod 1	<a href="#">Buy now</a>
30	<a href="#">9020105M06</a> Washer, plate(61u)	<a href="#">Buy now</a>
31	<a href="#">9046810005</a> Pin, hair 6264123500	<a href="#">Buy now</a>
33	<a href="#">6634834400</a> Cable end, remote control	<a href="#">Buy now</a>

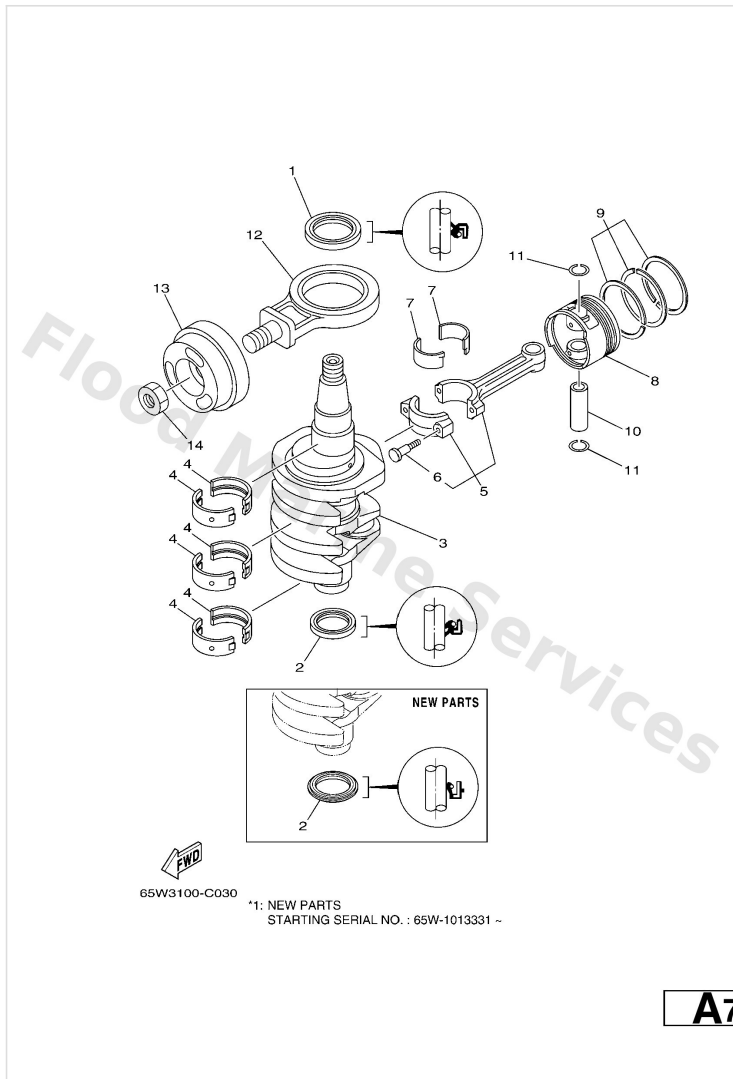


# Control



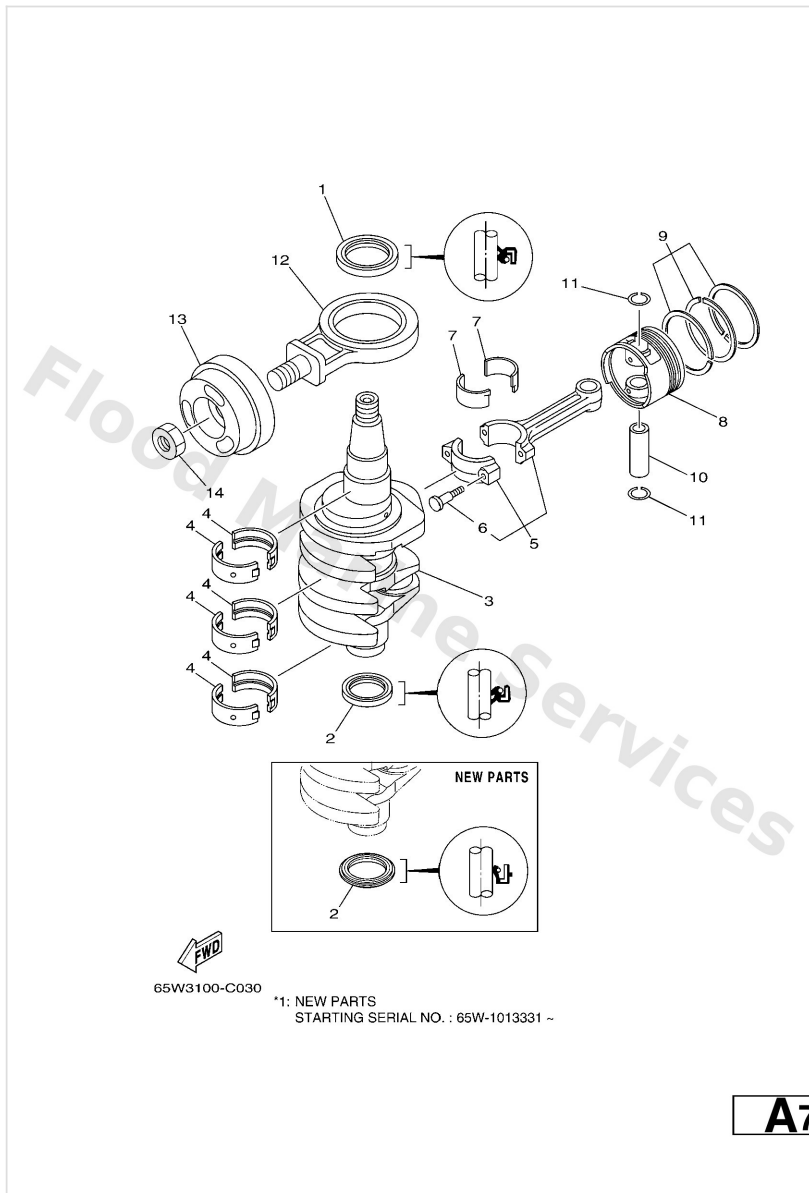
Ref	Part	
35	<a href="#">6H34853800</a> Clamp, cable	<a href="#">Buy now</a>

# Crankshaft & Piston



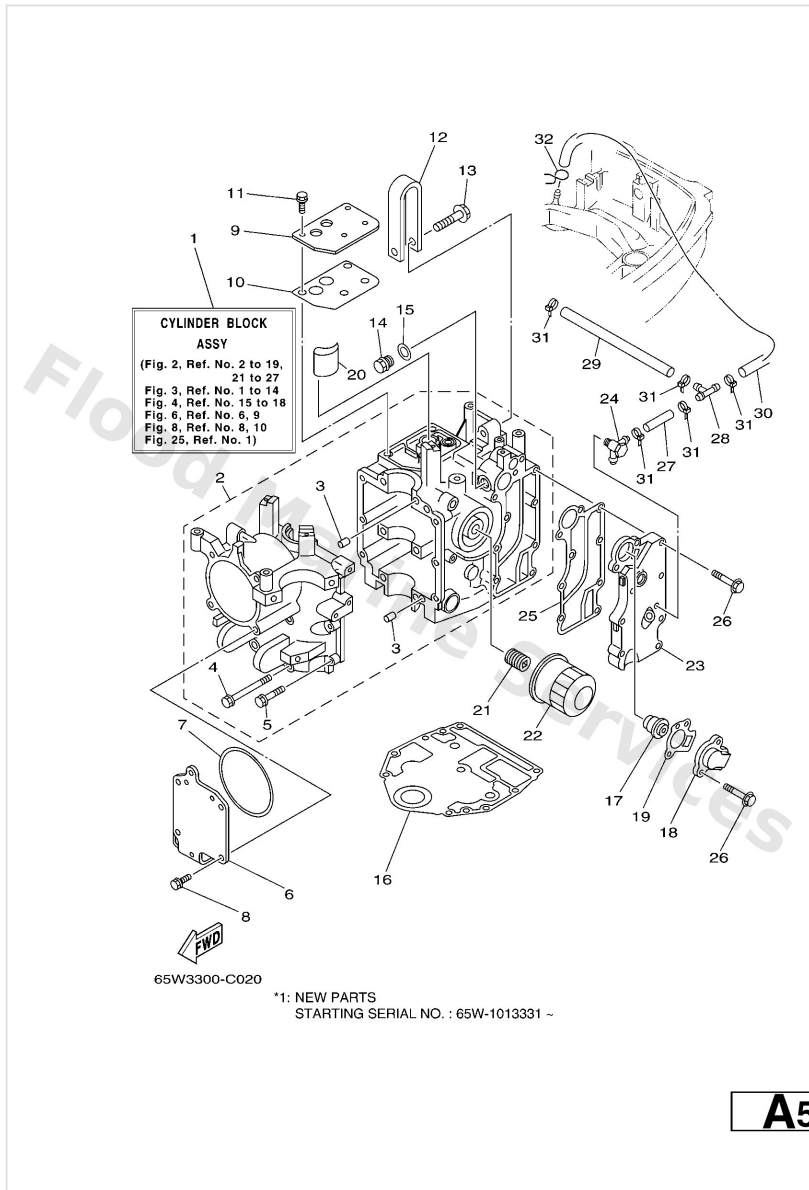
Ref	Part	
1	<a href="#">9310243004</a> Oil seal NEW PARTS *1	<a href="#">Buy now</a>
1	<a href="#">9310243M42</a> Oil seal(62y)	<a href="#">Buy now</a>
2	<a href="#">9310135002</a> Oil seal NEW PARTS *1	<a href="#">Buy now</a>
2	<a href="#">9310235M47</a> Oil seal(62y)	<a href="#">Buy now</a>
3	<a href="#">65W1141101</a> Crankshaft	<a href="#">Buy now</a>
4	<a href="#">62Y1141600</a> Plane bearing, crankshaft 1 UR BROWN	<a href="#">Buy now</a>
4	<a href="#">62Y1141610</a> Plane bearing, crankshaft 1 UR BLACK	<a href="#">Buy now</a>
4	<a href="#">62Y1141620</a> Plane bearing, crankshaft 1 UR BLUE	<a href="#">Buy now</a>
5	<a href="#">67C1165000</a> Connecting rod assembly	<a href="#">Buy now</a>
6	<a href="#">62Y1165400</a> Bolt, connecting rod	<a href="#">Buy now</a>
7	<a href="#">62Y1165600</a> Plane bearing, connecting rod UR BROWN	<a href="#">Buy now</a>
7	<a href="#">62Y1165610</a> Plane bearing, connecting rod UR BLACK	<a href="#">Buy now</a>
7	<a href="#">62Y1165620</a> Plane bearing, connecting rod UR BLUE	<a href="#">Buy now</a>
8	<a href="#">65W116310096</a> Piston (std)	<a href="#">Buy now</a>
8	<a href="#">65W1163500</a> Piston (0.25mm o/s) AP	<a href="#">Buy now</a>

# Crankshaft & Piston



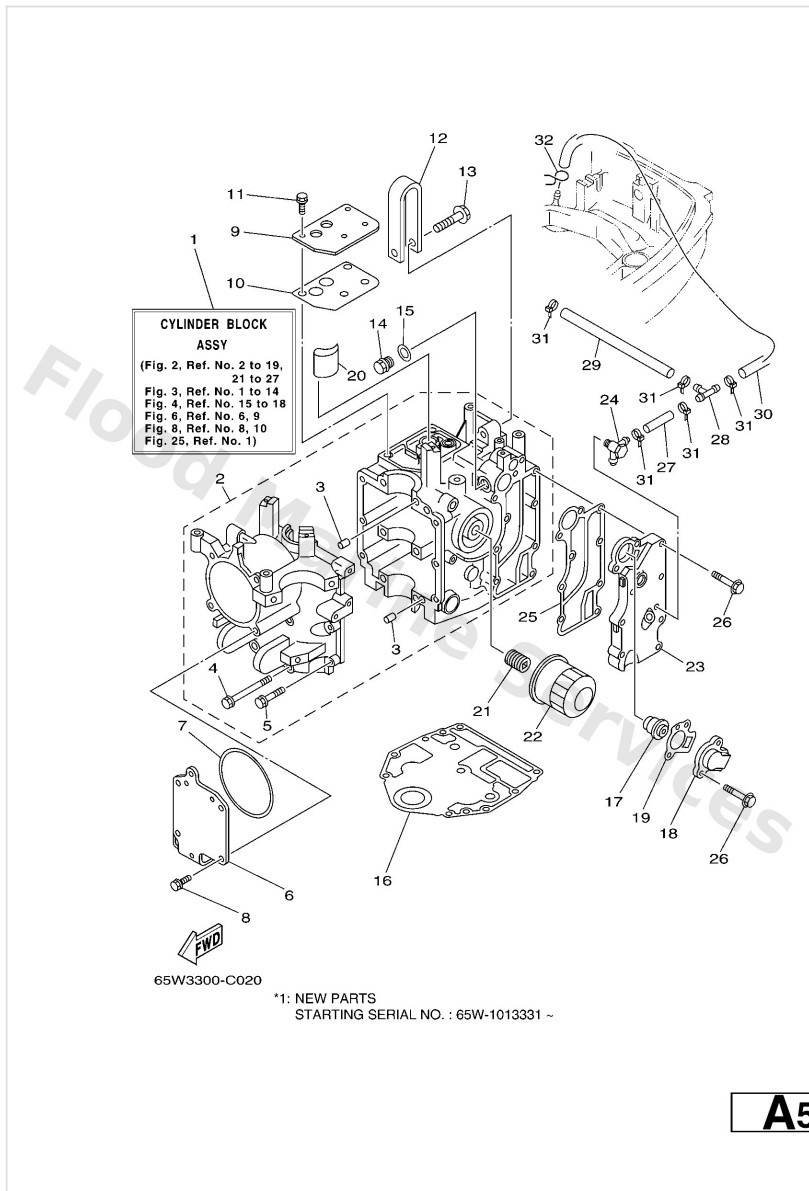
Ref	Part	
8	<a href="#">65W1163600</a> Piston (0.50mm o/s) AP	<a href="#">Buy now</a>
9	<a href="#">67C1160300</a> Piston ring set (std)	<a href="#">Buy now</a>
9	<a href="#">67C1160400</a> Piston ring set (0.25mm o/s) AP	<a href="#">Buy now</a>
9	<a href="#">67C1160500</a> Piston ring set (0.50mm o/s) AP	<a href="#">Buy now</a>
9	<a href="#">68U1160300</a> Piston ring set (std) NEW PARTS *1	<a href="#">Buy now</a>
9	<a href="#">68U1160400</a> Piston ring set (0.25mm o/s) AP-NEW PARTS *1	<a href="#">Buy now</a>
9	<a href="#">68U1160500</a> Piston ring set (0.50mm o/s) AP-NEW PARTS *1	<a href="#">Buy now</a>
10	<a href="#">62Y1163300</a> Pin, piston	<a href="#">Buy now</a>
11	<a href="#">9345017129</a> Circlip(1ar)	<a href="#">Buy now</a>
12	<a href="#">65W1166500</a> Con-rod assembly, balance	<a href="#">Buy now</a>
13	<a href="#">65W1164211</a> Piston, Balance	<a href="#">Buy now</a>
14	<a href="#">9017020137</a> Nut, hexagon(663)	<a href="#">Buy now</a>

# Cylinder & Crankcase 1



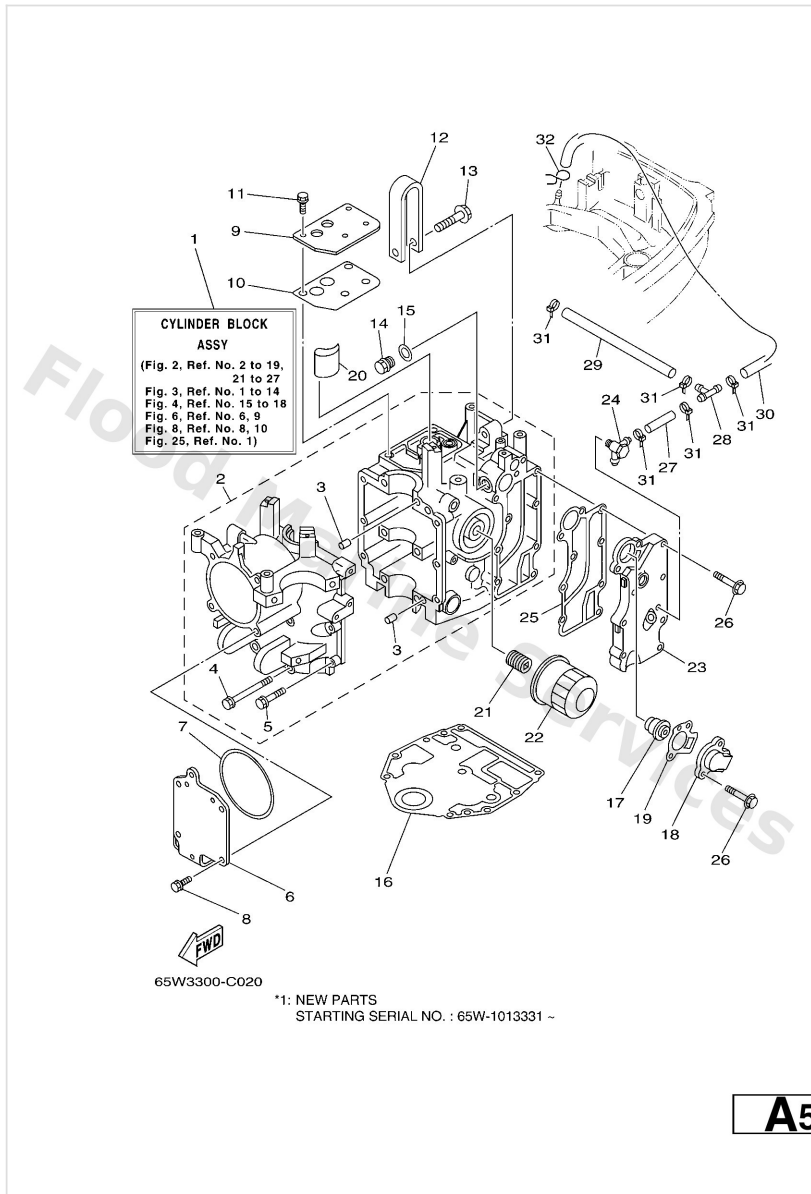
Ref	Part	
1	<a href="#">65WW009B111S</a> Cylinder Block assembly	<a href="#">Buy now</a>
1	<a href="#">65WW009B121S</a> Cylinder Block assembly <b>NEW PARTS *1</b>	<a href="#">Buy now</a>
2	<a href="#">65W15100111S</a> Crankcase assembly	<a href="#">Buy now</a>
3	<a href="#">9953008012</a> Pin, dowel(6g8)	<a href="#">Buy now</a>
4	<a href="#">9011908M01</a> Bolt, with washer(62y)	<a href="#">Buy now</a>
5	<a href="#">9011906MA5</a> Bolt, with washer	<a href="#">Buy now</a>
6	<a href="#">65W1512101</a> Crankcase 2	<a href="#">Buy now</a>
7	<a href="#">65W1566300</a> Seal	<a href="#">Buy now</a>
8	<a href="#">65W1222800</a> Bolt	<a href="#">Buy now</a>
9	<a href="#">65W1116801</a> Cover Breather	<a href="#">Buy now</a>
10	<a href="#">65W1116901</a> Gasket, breather cover	<a href="#">Buy now</a>
12	<a href="#">65W1111900</a> Hanger Engine	<a href="#">Buy now</a>
13	<a href="#">9010508M87</a> Bolt, washer based	<a href="#">Buy now</a>
14	<a href="#">9034014M06</a> Plug, straight screw(62y)	<a href="#">Buy now</a>
15	<a href="#">9043014115</a> Gasket (663)	<a href="#">Buy now</a>

# Cylinder & Crankcase 1



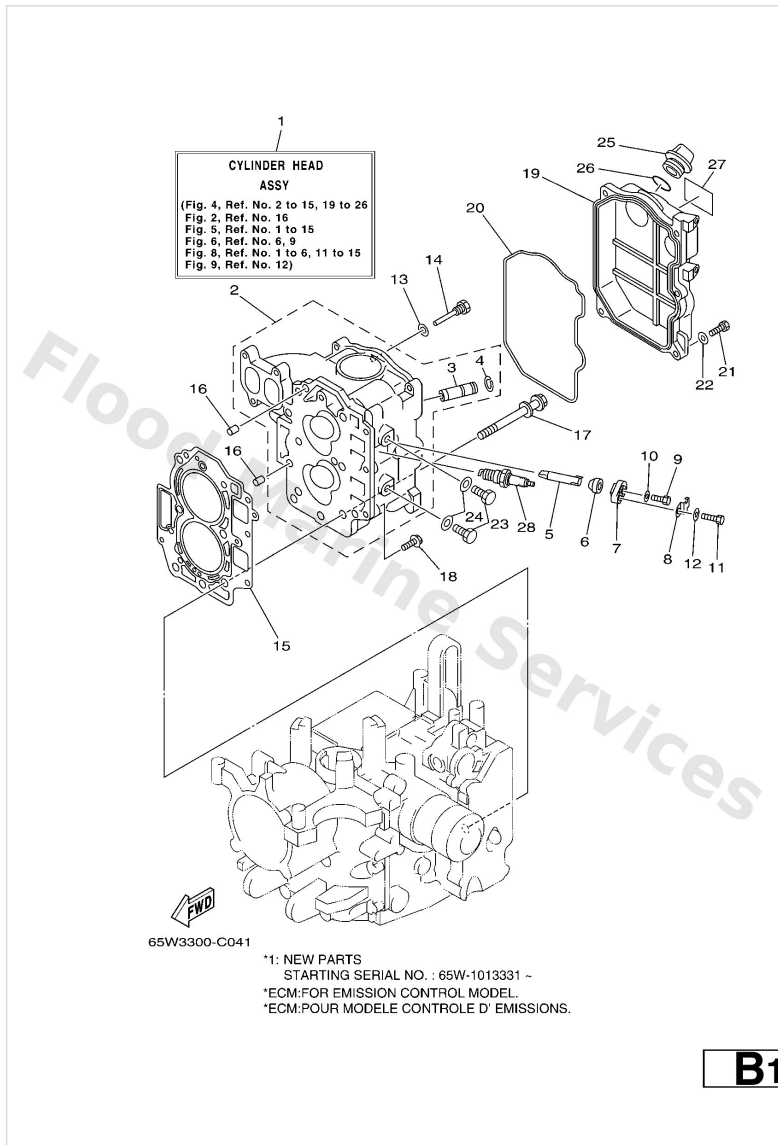
Ref	Part	
16	<a href="#">65W1135110</a> Gasket, cylinder	<a href="#">Buy now</a>
17	<a href="#">6G81241102</a> Thermostat	<a href="#">Buy now</a>
18	<a href="#">6H312413001S</a> Cover, thermostat	<a href="#">Buy now</a>
19	<a href="#">62Y1241400</a> Gasket, cover	<a href="#">Buy now</a>
20	<a href="#">65W1328600</a> Cleaner	<a href="#">Buy now</a>
21	<a href="#">9040120M00</a> Bolt, union(62y)	<a href="#">Buy now</a>
22	<a href="#">5GH1344000</a> Element assembly, oil cleaner	<a href="#">Buy now</a>
23	<a href="#">65W41113101S</a> Outer cover, exhaust	<a href="#">Buy now</a>
24	<a href="#">62Y1137201</a> Nipple, hose <b>FLUSHING KIT</b>	<a href="#">Buy now</a>
25	<a href="#">65W4111400</a> Gasket, exhaust outer cover	<a href="#">Buy now</a>
27	<a href="#">9044509068</a> Hose (I420)	<a href="#">Buy now</a>
28	<a href="#">6882437800</a> Pipe, joint	<a href="#">Buy now</a>
29	<a href="#">9044509095</a> Hose (L260)	<a href="#">Buy now</a>
30	<a href="#">9044509104</a> Hose (I1500)	<a href="#">Buy now</a>
31	<a href="#">9046511M10</a> Clamp	<a href="#">Buy now</a>

# Cylinder & Crankcase 1



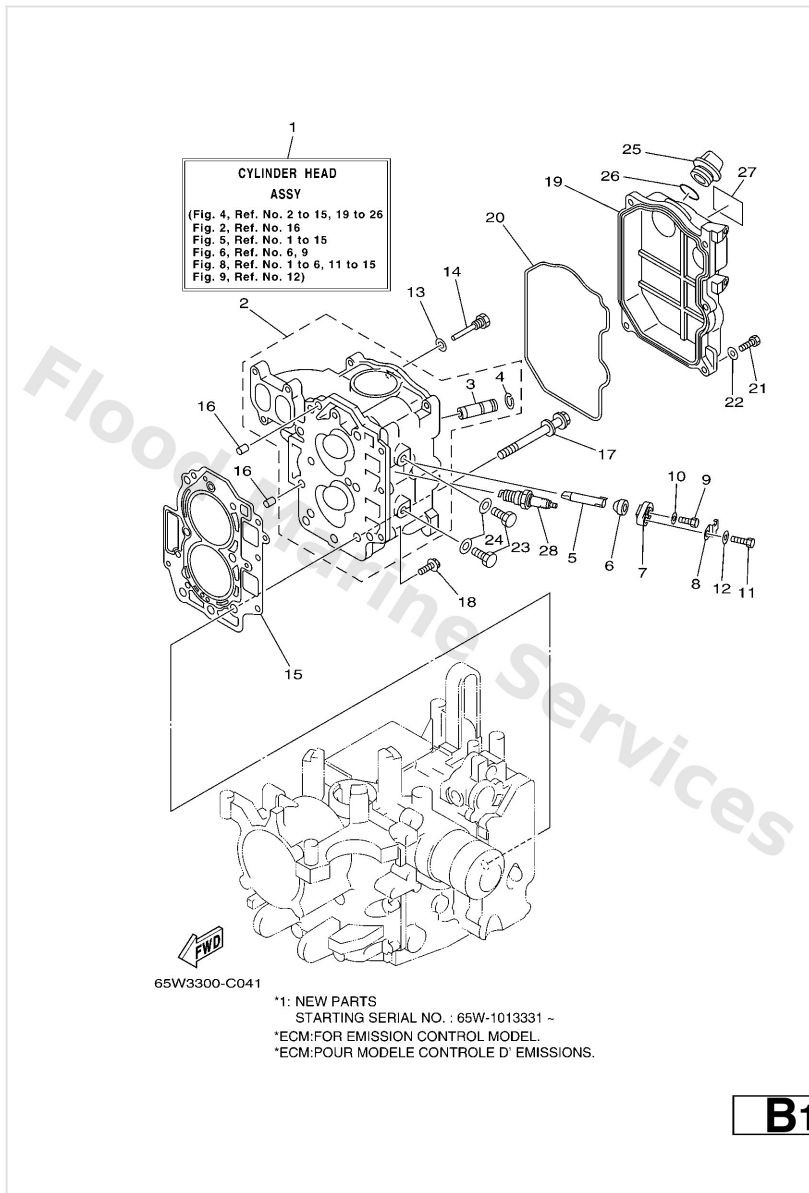
Ref	Part	
32	<a href="#">9046708004</a> Clip, pipe 6162435600	<a href="#">Buy now</a>

# Cylinder & Crankcase 2



Ref	Part	
1	<a href="#">65WW009A141S</a> Cylinder Head Complete	<a href="#">Buy now</a>
1	<a href="#">65WW009A151S</a> Cylinder Head Complete <b>NEW PARTS *1</b>	<a href="#">Buy now</a>
2	<a href="#">65W11111201S</a> Head Cylinder 1 <b>FOR STD</b>	<a href="#">Buy now</a>
2	<a href="#">65W11111301S</a> - <b>*ECM-F25A ONLY</b>	<a href="#">Buy now</a>
3	<a href="#">62Y1113330</a> Guide, valve 1	<a href="#">Buy now</a>
4	<a href="#">9345009M01</a> Circlip (6g8)	<a href="#">Buy now</a>
5	<a href="#">62Y1132500</a> Anode	<a href="#">Buy now</a>
6	<a href="#">66M1132800</a> Grommet, anode	<a href="#">Buy now</a>
7	<a href="#">66M113270094</a> Cover, anode	<a href="#">Buy now</a>
8	<a href="#">66M1253500</a> Plate	<a href="#">Buy now</a>
9	<a href="#">9709505012</a> Bolt, hexagon	<a href="#">Buy now</a>
10	<a href="#">9299505600</a> Washer, plain (646)	<a href="#">Buy now</a>
11	<a href="#">9709506020</a> Bolt(7u8)	<a href="#">Buy now</a>
12	<a href="#">9299506600</a> Washer, plain (646)	<a href="#">Buy now</a>
13	<a href="#">9043006014</a> Gasket 256113960000	<a href="#">Buy now</a>

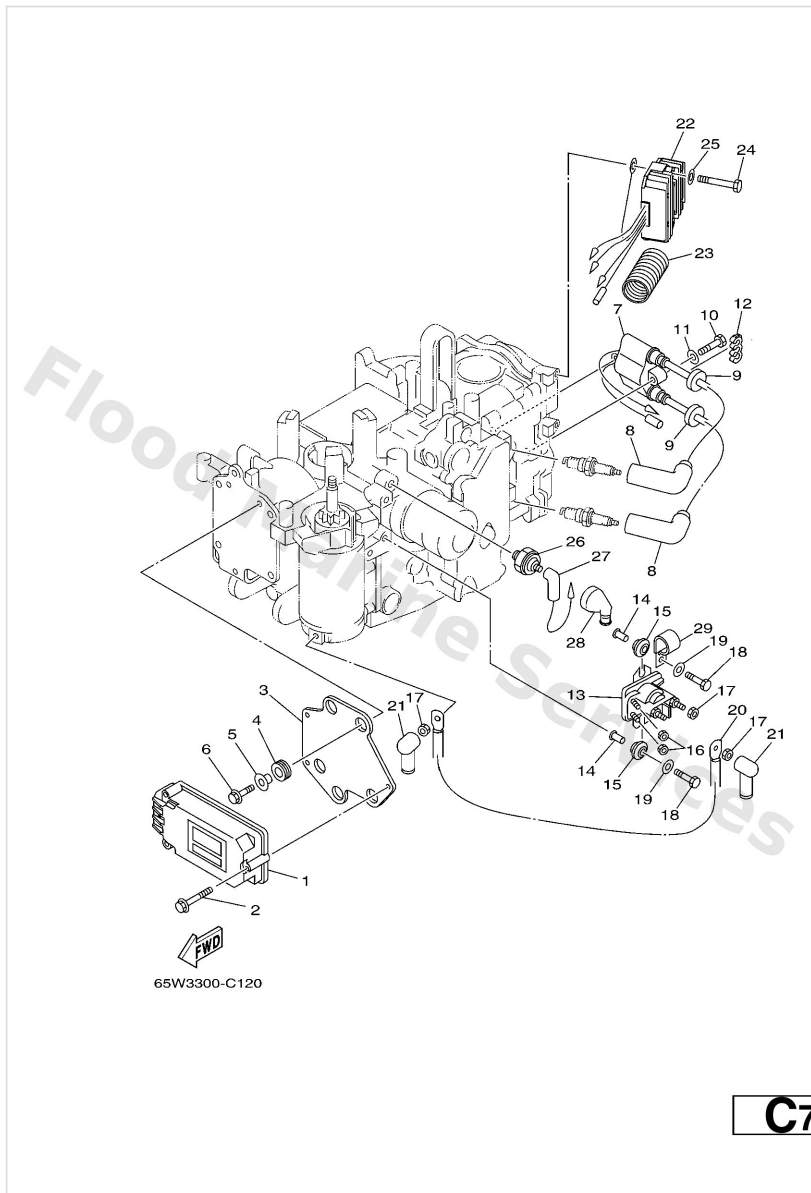
# Cylinder & Crankcase 2



Ref	Part	
14	<a href="#">9010906M65</a> Bolt(62y)	<a href="#">Buy now</a>
15	<a href="#">65W1118120</a> Gasket, cylinder head 1	<a href="#">Buy now</a>
15	<a href="#">65W1118130</a> Gasket, cylinder head 1 NEW PARTS *1	<a href="#">Buy now</a>
16	<a href="#">9953008012</a> Pin, dowel(6g8)	<a href="#">Buy now</a>
17	<a href="#">9011909M00</a> Bolt, with washer(62y)	<a href="#">Buy now</a>
18	<a href="#">9011906MA3</a> Bolt, with washer	<a href="#">Buy now</a>
19	<a href="#">65W11191001S</a> Cover Cylinder Head 1	<a href="#">Buy now</a>
20	<a href="#">65W1135600</a> Seal, cylinder 2	<a href="#">Buy now</a>
23	<a href="#">9709508014</a> Bolt, hexagon deep recess *ECM-F25A ONLY	<a href="#">Buy now</a>
24	<a href="#">9043008143</a> Gasket (256-11198-00) *ECM-F25A ONLY	<a href="#">Buy now</a>
25	<a href="#">6G81536300</a> Plug, oil	<a href="#">Buy now</a>
26	<a href="#">9321024M79</a> O-ring	<a href="#">Buy now</a>
27	<a href="#">62Y1213860</a> Mark Caution	<a href="#">Buy now</a>
28	<a href="#">9470100375</a> Plug, spark (dpr6ea-9)(62y)	<a href="#">Buy now</a>

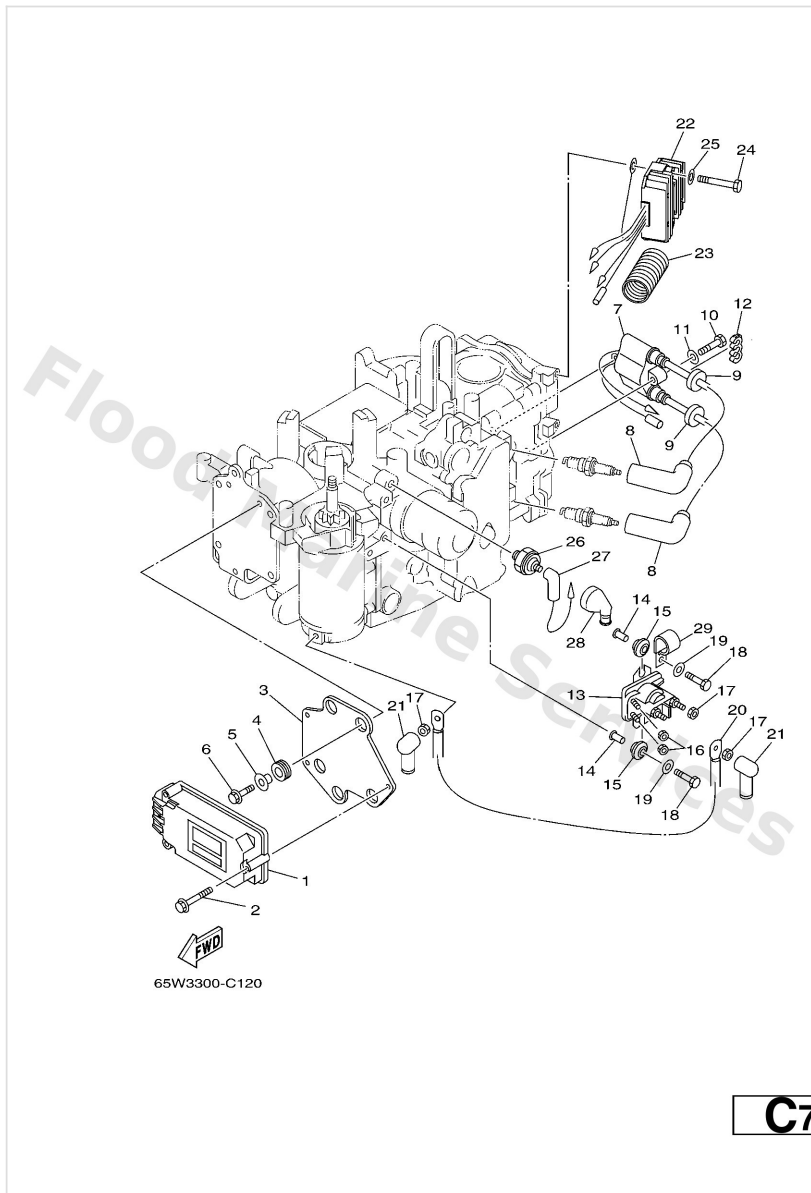


# Electrical 1



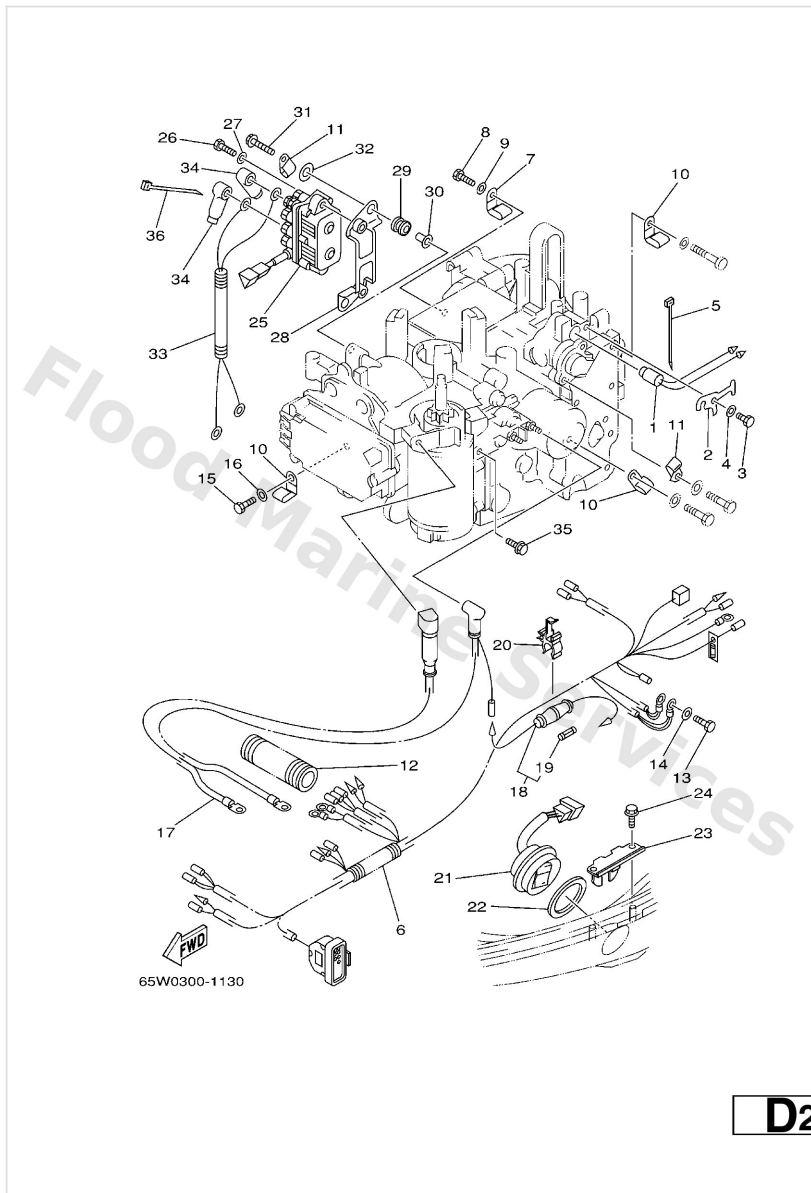
Ref	Part	
1	<a href="#">65W8554020</a> C.d.i. unit assembly	<a href="#">Buy now</a>
2	<a href="#">65W8252V00</a> Screw, special	<a href="#">Buy now</a>
3	<a href="#">65W8554200</a> Bracket	<a href="#">Buy now</a>
4	<a href="#">65W8554700</a> Damper	<a href="#">Buy now</a>
5	<a href="#">65W8612920</a> Collar	<a href="#">Buy now</a>
6	<a href="#">65W8252V10</a> Screw, special	<a href="#">Buy now</a>
7	<a href="#">65W8557001</a> Ignition coil assembly	<a href="#">Buy now</a>
8	<a href="#">6G88237030</a> Plug cap assembly	<a href="#">Buy now</a>
9	<a href="#">9048025161</a> Grommet(656)	<a href="#">Buy now</a>
10	<a href="#">9709506030</a> Bolt(jf7)	<a href="#">Buy now</a>
11	<a href="#">9299506600</a> Washer, plain (646)	<a href="#">Buy now</a>
12	<a href="#">9046407M05</a> Clamp (6g5)	<a href="#">Buy now</a>
13	<a href="#">65W8194100</a> Starter relay assembly	<a href="#">Buy now</a>
14	<a href="#">65W8191C00</a> Collar	<a href="#">Buy now</a>
15	<a href="#">65W8192200</a> Grommet	<a href="#">Buy now</a>

# Electrical 1



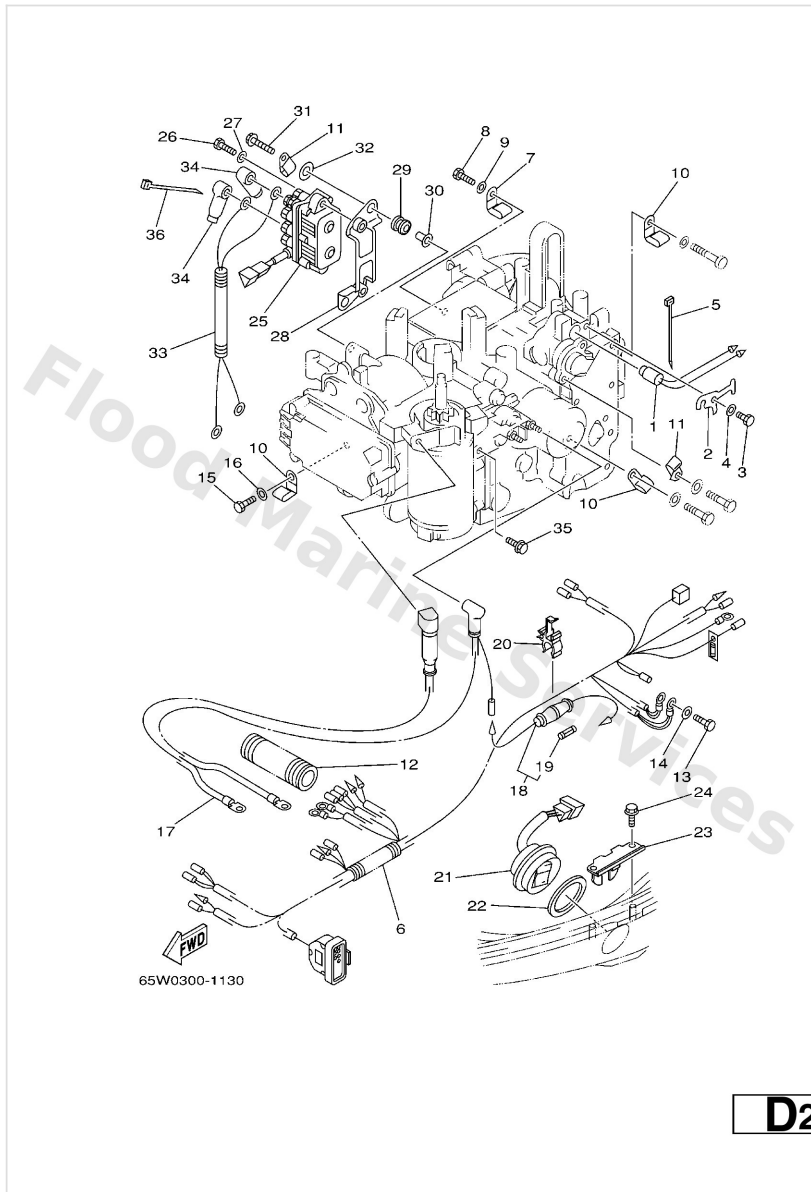
Ref	Part	
16	<a href="#">65W8182A00</a> Nut	<a href="#">Buy now</a>
17	<a href="#">65W8182B00</a> Nut, special	<a href="#">Buy now</a>
18	<a href="#">9709506016</a> Bolt, hexagon deep recess	<a href="#">Buy now</a>
18	<a href="#">9709506025</a> Bolt	<a href="#">Buy now</a>
20	<a href="#">65W8211700</a> Wire, lead	<a href="#">Buy now</a>
21	<a href="#">6G58211910</a> Cover, lead wire	<a href="#">Buy now</a>
22	<a href="#">65W8196010</a> Rectifier & regulator assembly	<a href="#">Buy now</a>
23	<a href="#">6K38355700</a> Tube	<a href="#">Buy now</a>
24	<a href="#">9709506040</a> Bolt (682)	<a href="#">Buy now</a>
26	<a href="#">65W8250400</a> Oil pressure switch assembly	<a href="#">Buy now</a>
27	<a href="#">65W8212700</a> Wire, lead 2	<a href="#">Buy now</a>
28	<a href="#">65W8253200</a> Cap	<a href="#">Buy now</a>
29	<a href="#">65W8339X00</a> Clamp, cord	<a href="#">Buy now</a>

## Electrical 2



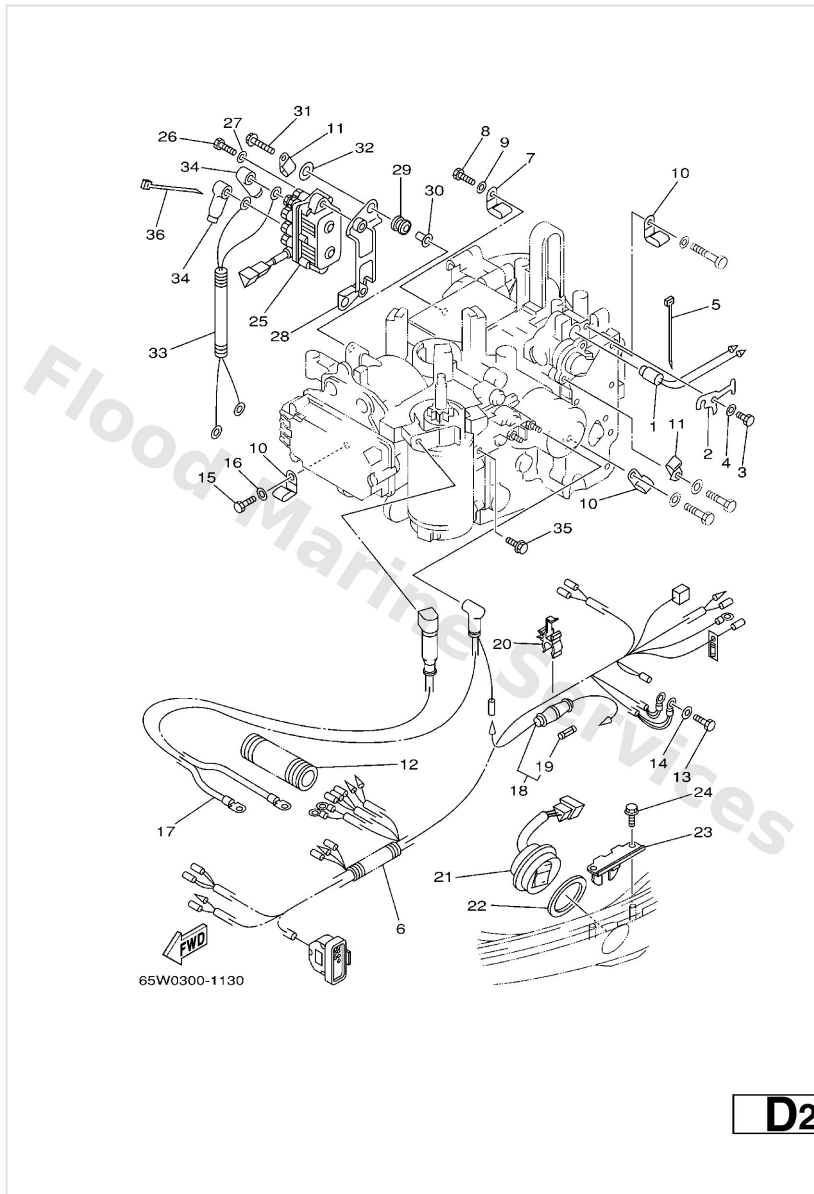
Ref	Part	
1	<a href="#">65W8579000</a> Thermosensor assembly	<a href="#">Buy now</a>
2	<a href="#">65W8575700</a> Retainer	<a href="#">Buy now</a>
3	<a href="#">9709506012</a> Bolt(gh1)	<a href="#">Buy now</a>
4	<a href="#">9299506600</a> Washer, plain (646)	<a href="#">Buy now</a>
5	<a href="#">9046511M10</a> Clamp	<a href="#">Buy now</a>
6	<a href="#">65W8259010</a> Wire Harness assembly (7P)	<a href="#">Buy now</a>
6	<a href="#">65W8259030</a> Wire Harness assembly (10P)	<a href="#">Buy now</a>
6	<a href="#">65W8259040</a> Wire Harness assembly	<a href="#">Buy now</a>
7	<a href="#">9046508M08</a> Clamp (6e5)	<a href="#">Buy now</a>
8	<a href="#">9709506016</a> Bolt, hexagon deep recess	<a href="#">Buy now</a>
11	<a href="#">9046506M88</a> Clamp	<a href="#">Buy now</a>
12	<a href="#">6N78355700</a> Tube	<a href="#">Buy now</a>
15	<a href="#">9709505016</a> Bolt(6a1)	<a href="#">Buy now</a>
16	<a href="#">9299505600</a> Washer, plain (646)	<a href="#">Buy now</a>
17	<a href="#">65W8210500</a> Battery cable	<a href="#">Buy now</a>

## Electrical 2



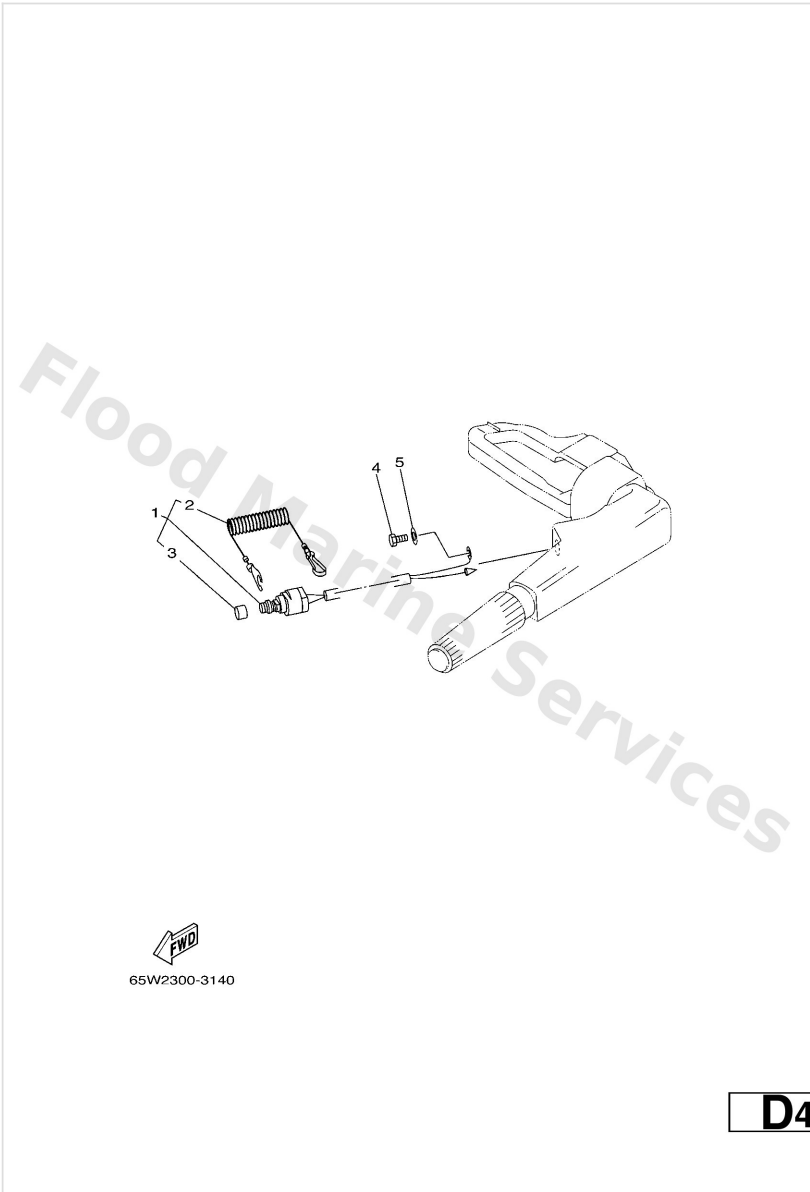
Ref	Part	
18	<a href="#">6G88215000</a> Fuse holder assembly	<a href="#">Buy now</a>
19	<a href="#">6638215100</a> Fuse	<a href="#">Buy now</a>
20	<a href="#">6G58215200</a> Holder, fuse	<a href="#">Buy now</a>
21	<a href="#">6H18256310</a> Trim & tilt switch assembly	<a href="#">Buy now</a>
22	<a href="#">6E58258700</a> Gasket	<a href="#">Buy now</a>
23	<a href="#">62Y8361400</a> Bracket	<a href="#">Buy now</a>
24	<a href="#">9010906M86</a> Bolt	<a href="#">Buy now</a>
25	<a href="#">61A8195000</a> Relay assembly	<a href="#">Buy now</a>
26	<a href="#">9707506020</a> Bolt(7u8)	<a href="#">Buy now</a>
28	<a href="#">65W8194800</a> Bracket	<a href="#">Buy now</a>
29	<a href="#">6A08231700</a> Damper, ignition coil	<a href="#">Buy now</a>
30	<a href="#">6244254200</a> Collar	<a href="#">Buy now</a>
31	<a href="#">9589506030</a> Bolt, flange deep recess	<a href="#">Buy now</a>
32	<a href="#">9020112M16</a> Washer, plate (679)	<a href="#">Buy now</a>
33	<a href="#">65W8194900</a> Wire Lead	<a href="#">Buy now</a>

# Electrical 2

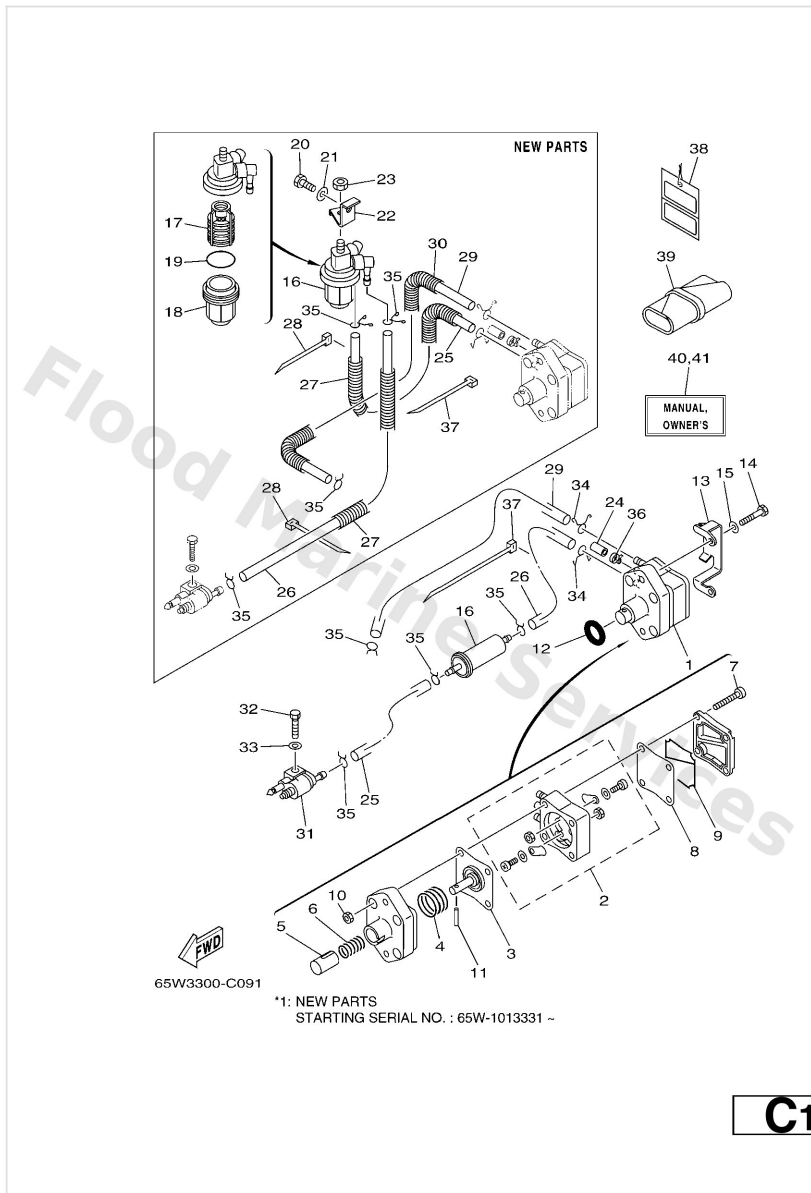


Ref	Part	
34	<a href="#">6828211901</a> Cover, lead wire	<a href="#">Buy now</a>
35	<a href="#">9757506516</a> Bolt, hexagon w/w deep recess	<a href="#">Buy now</a>

# Electrical 3

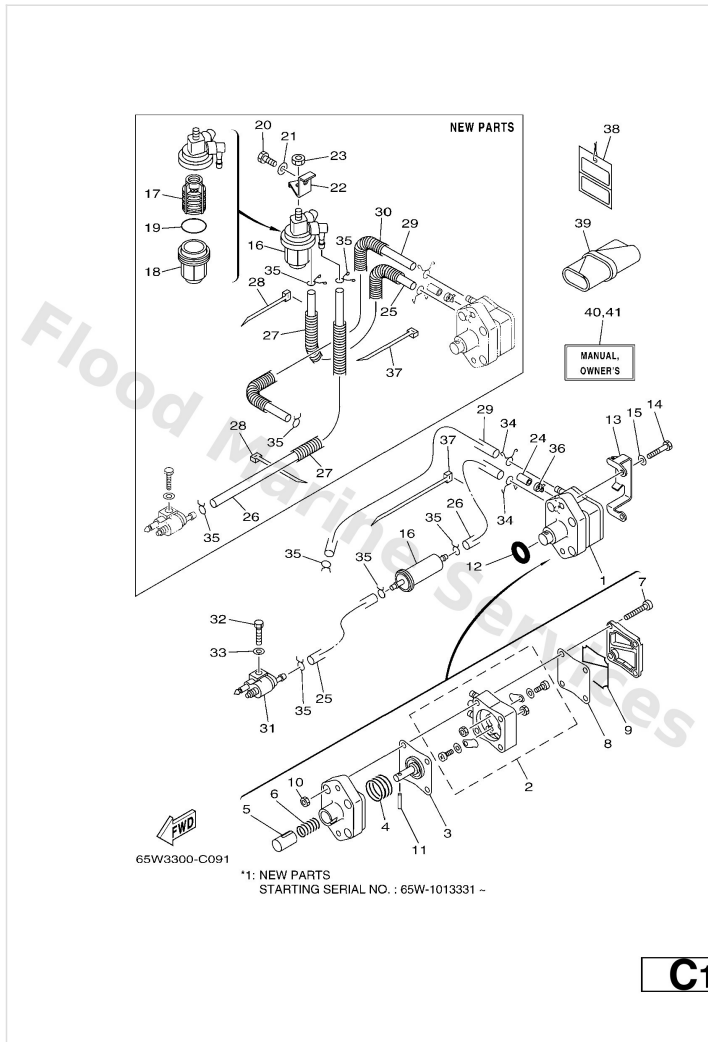


Ref	Part	
1	<a href="#">65W8257501</a> Engine stop switch assembly	<a href="#">Buy now</a>
2	<a href="#">6828255600</a> Lanyard, stop switch	<a href="#">Buy now</a>
3	<a href="#">6898257Y00</a> Cap	<a href="#">Buy now</a>
4	<a href="#">9709506012</a> Bolt(gh1)	<a href="#">Buy now</a>
5	<a href="#">9299506600</a> Washer, plain (646)	<a href="#">Buy now</a>



Ref	Part	
1	<a href="#">62Y2441003</a> Fuel pump assembly	<a href="#">Buy now</a>
2	<a href="#">62Y2441500</a> Body 4	<a href="#">Buy now</a>
3	<a href="#">62Y2441102</a> Diaphragm	<a href="#">Buy now</a>
4	<a href="#">62Y2442300</a> Spring, diaphragm	<a href="#">Buy now</a>
5	<a href="#">62Y1313101</a> Plunger	<a href="#">Buy now</a>
6	<a href="#">62Y2445400</a> Spring	<a href="#">Buy now</a>
7	<a href="#">62Y2444401</a> Screw	<a href="#">Buy now</a>
8	<a href="#">62Y2447100</a> Diaphragm	<a href="#">Buy now</a>
9	<a href="#">62Y2445200</a> Packing	<a href="#">Buy now</a>
10	<a href="#">9538005600</a> Nut, hexagon (663)	<a href="#">Buy now</a>
11	<a href="#">62Y2437401</a> Pin	<a href="#">Buy now</a>
12	<a href="#">9321024M79</a> O-ring	<a href="#">Buy now</a>
13	<a href="#">65W2447410</a> Cover	<a href="#">Buy now</a>
14	<a href="#">9709506030</a> Bolt(jf7)	<a href="#">Buy now</a>
15	<a href="#">9299506600</a> Washer, plain (646)	<a href="#">Buy now</a>

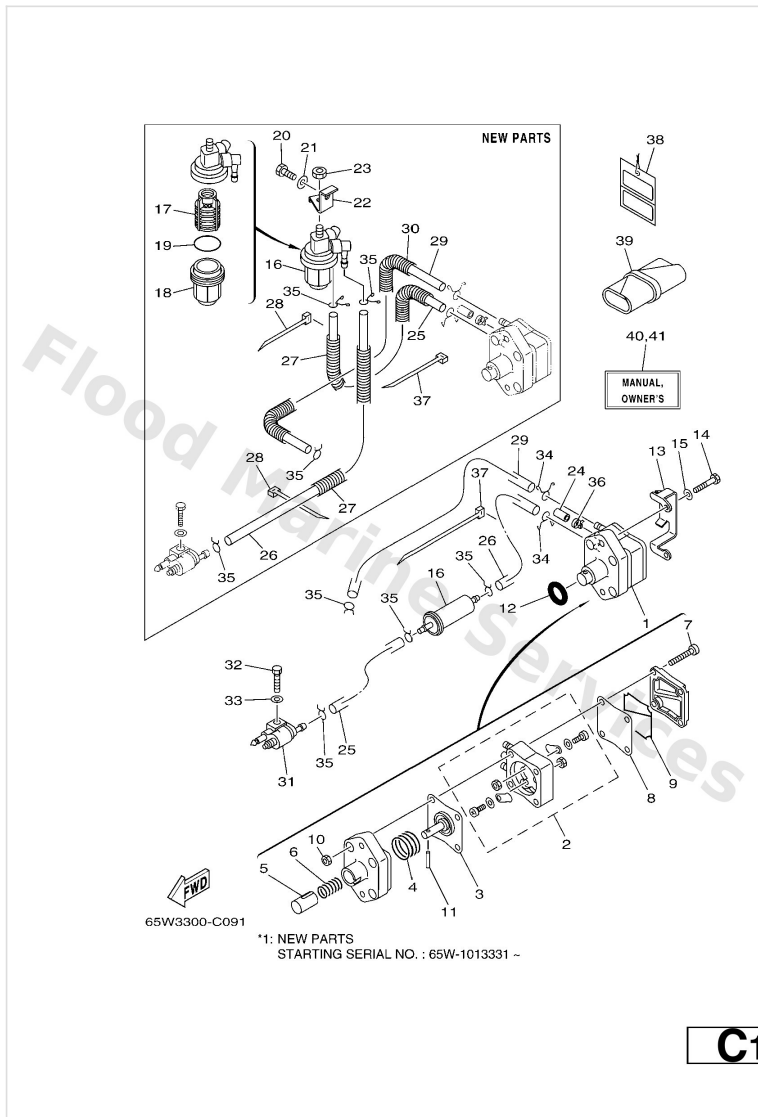
# Fuel



Ref	Part	
16	<a href="#">61N2456000</a> Filter assembly NEW PARTS *1	<a href="#">Buy now</a>
16	<a href="#">65W2425100</a> Strainer 1	<a href="#">Buy now</a>
17	<a href="#">61N2456300</a> Element, filter FOR 61N-24560-00	<a href="#">Buy now</a>
18	<a href="#">61N2452100</a> Cup, filter FOR 61N-24560-00	<a href="#">Buy now</a>
19	<a href="#">9321032738</a> O-ring(1wg) FOR 61N-24560-00	<a href="#">Buy now</a>
20	<a href="#">9709508014</a> Bolt, hexagon deep recess NEW PARTS *1	<a href="#">Buy now</a>
21	<a href="#">9299508600</a> Washer, plain (663) NEW PARTS *1	<a href="#">Buy now</a>
22	<a href="#">6D52456600</a> Bracket, filter NEW PARTS *1	<a href="#">Buy now</a>
23	<a href="#">9538008600</a> Nut (661) NEW PARTS *1	<a href="#">Buy now</a>
24	<a href="#">65W2448100</a> Plug	<a href="#">Buy now</a>
25	<a href="#">9044510M33</a> Hose (I1040)	<a href="#">Buy now</a>
25	<a href="#">9044510MG6</a> Hose (I200) NEW PARTS *1	<a href="#">Buy now</a>
26	<a href="#">9044510M03</a> Hose (I400)	<a href="#">Buy now</a>
26	<a href="#">9044510M34</a> Hose (L550) NEW PARTS *1	<a href="#">Buy now</a>
27	<a href="#">9044614M12</a> Hose(6tc) NEW PARTS *1	<a href="#">Buy now</a>

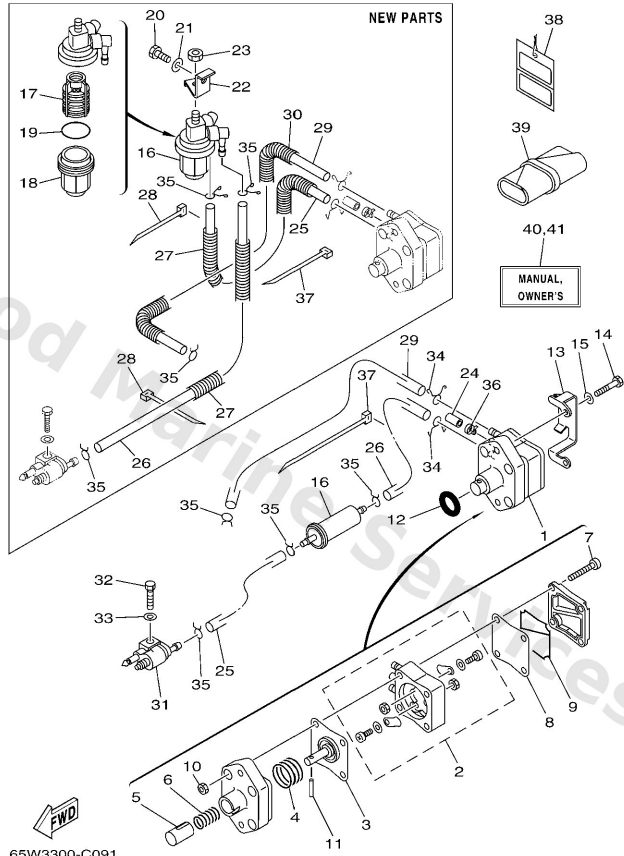


# Fuel



Ref	Part	
28	<a href="#">9046511M10</a> Clamp NEW PARTS *1	<a href="#">Buy now</a>
29	<a href="#">9044510M43</a> Hose (I400)	<a href="#">Buy now</a>
29	<a href="#">9044510MG7</a> Hose (I350) NEW PARTS *1	<a href="#">Buy now</a>
30	<a href="#">9044614M51</a> Hose(6tc) NEW PARTS *1	<a href="#">Buy now</a>
31	<a href="#">6G12430402</a> Fuel pipe joint comp. 1	<a href="#">Buy now</a>
32	<a href="#">9709506025</a> Bolt	<a href="#">Buy now</a>
34	<a href="#">9046710M04</a> Clip, pipe 1 (6e9)	<a href="#">Buy now</a>
35	<a href="#">9046709M03</a> Clip(6k8)	<a href="#">Buy now</a>
35	<a href="#">9046709M17</a> Clip(6k8) NEW PARTS *1	<a href="#">Buy now</a>
37	<a href="#">9046513M18</a> Clamp	<a href="#">Buy now</a>
38	<a href="#">61H2819R31</a> Tag Warning	<a href="#">Buy now</a>
39	<a href="#">62Y2810000</a> Tool kit	<a href="#">Buy now</a>
40	<a href="#">65W2819978A0</a> Om f20ae/et '04 UR (E,F,S)	<a href="#">Buy now</a>
40	<a href="#">65W2819978B0</a> Om f20ae/et '04 UR (D,NL,I)	<a href="#">Buy now</a>
41	<a href="#">65W2819988A0</a> Om f20ae/et '04 UR (DK,P,GR)	<a href="#">Buy now</a>

# Fuel

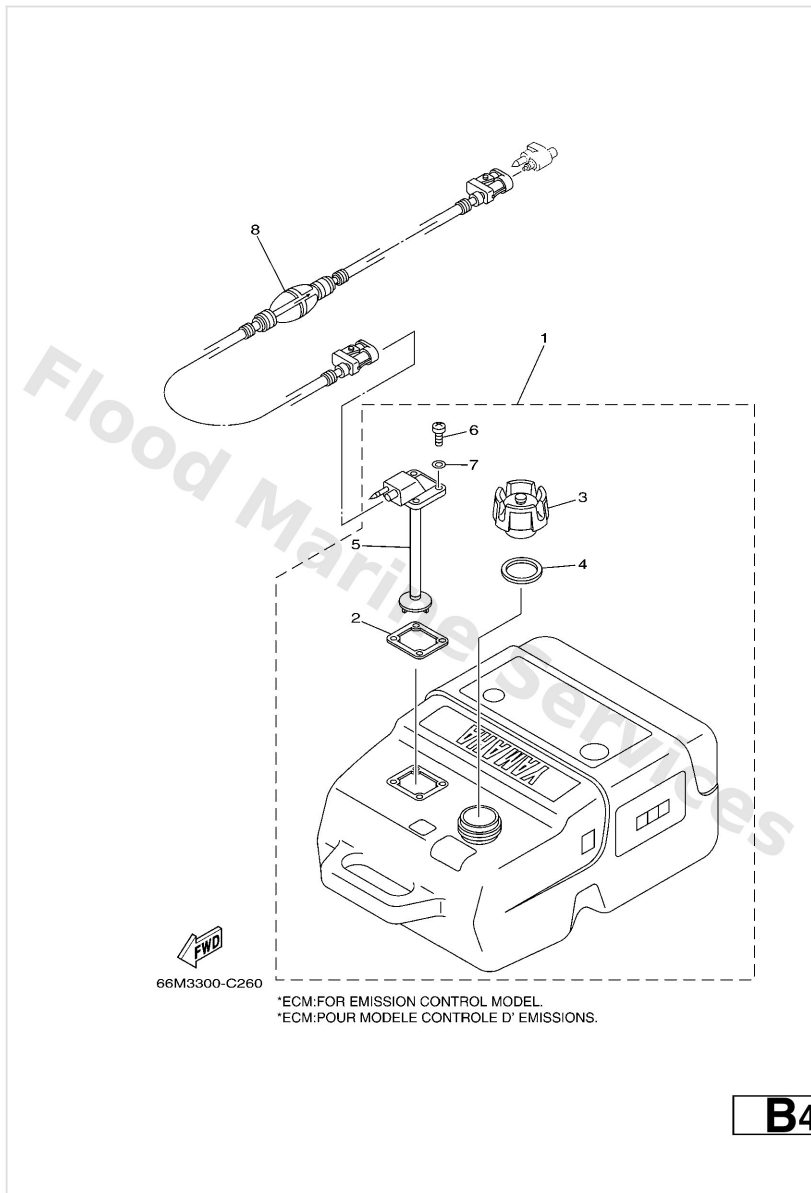


\*1: NEW PARTS  
STARTING SERIAL NO. : 65W-1013331 ~

**C1**

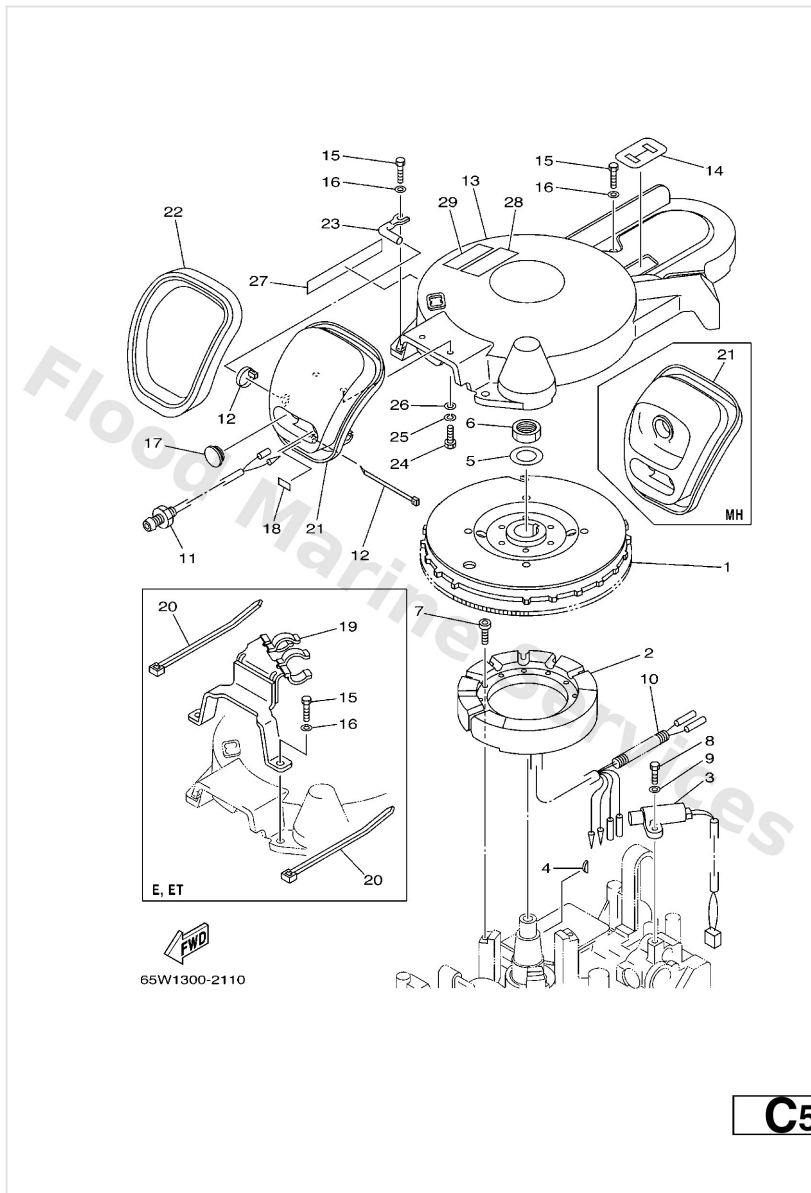
Ref	Part	
41	<a href="#">65W2819988B0</a> Om f20ae/et '04 UR (N,S,SS)	<a href="#">Buy now</a>

# Fuel Tank



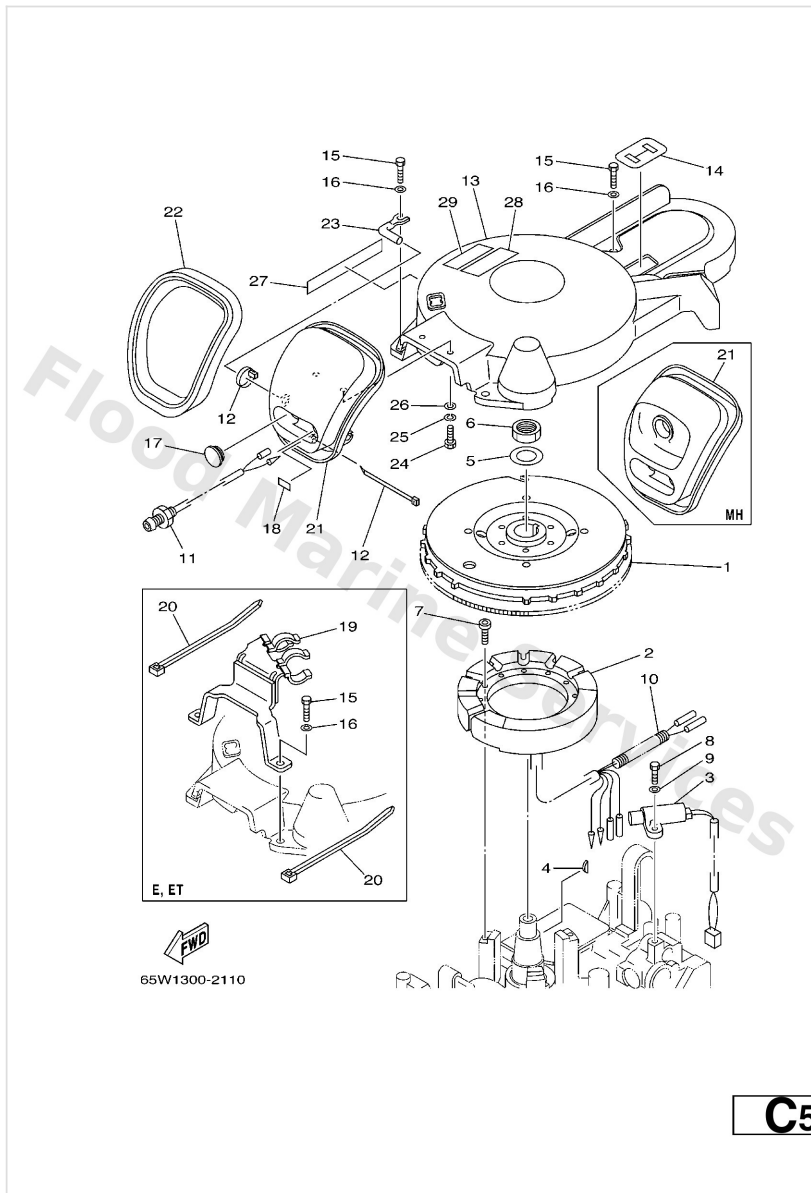
Ref	Part	
1	<a href="#">6YK2420101</a> Fuel Tank assembly (25L) AP	<a href="#">Buy now</a>
1	<a href="#">6YK2420110</a> Fuel Tank assembly (25L) AP *ECM-F25A ONLY	<a href="#">Buy now</a>
2	<a href="#">6YL2426801</a> Gasket, fuel meter	<a href="#">Buy now</a>
3	<a href="#">6YK2461001</a> Cap assembly	<a href="#">Buy now</a>
3	<a href="#">6YK2461010</a> Cap assembly *ECM-F25A ONLY	<a href="#">Buy now</a>
4	<a href="#">6YL2464100</a> Gasket, cap 1	<a href="#">Buy now</a>
5	<a href="#">6YK2426001</a> Fuel meter assembly	<a href="#">Buy now</a>
6	<a href="#">9015705M16</a> Screw, pan head	<a href="#">Buy now</a>
7	<a href="#">6YL2432900</a> Seal	<a href="#">Buy now</a>
8	<a href="#">6YL2430653</a> Fuel pipe comp. 1 AP	<a href="#">Buy now</a>

# Generator



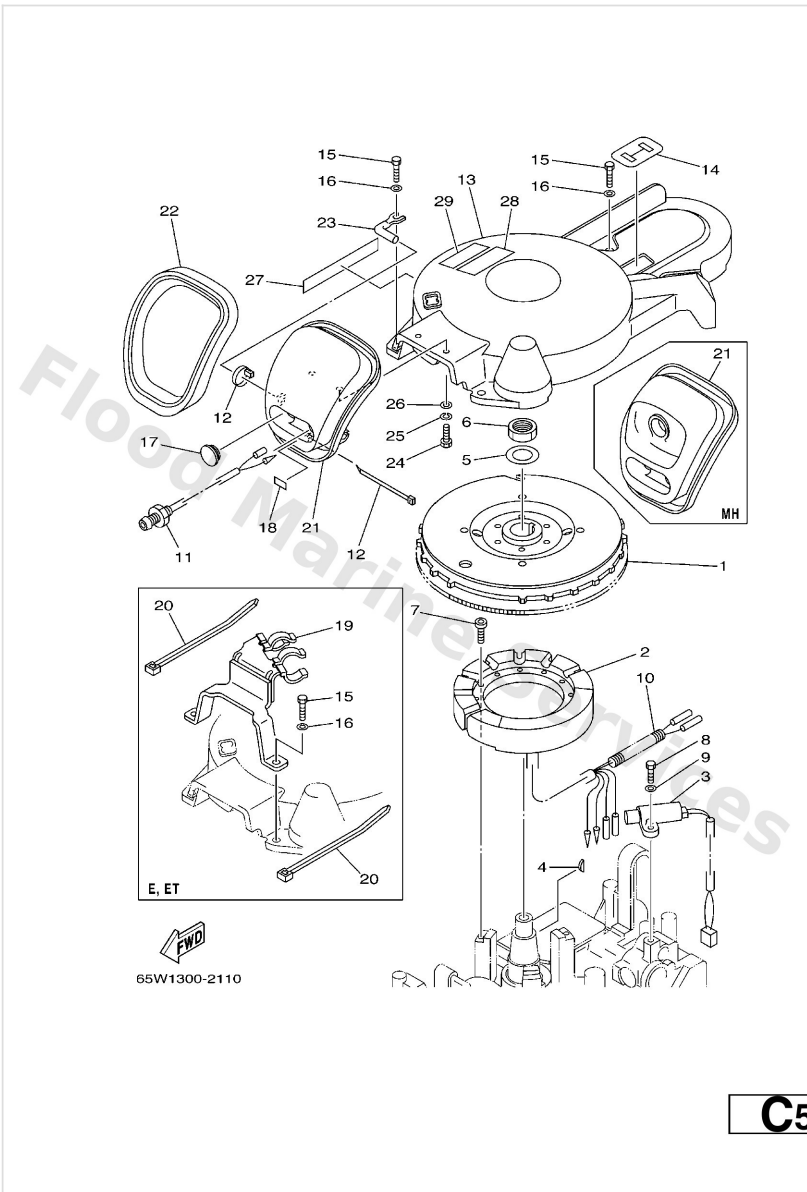
Ref	Part	
1	<a href="#">65W8555001</a> Rotor assembly	<a href="#">Buy now</a>
1	<a href="#">65W8555011</a> Rotor assembly	<a href="#">Buy now</a>
2	<a href="#">65W8551000</a> Stator assembly	<a href="#">Buy now</a>
2	<a href="#">65W8551010</a> Stator assembly	<a href="#">Buy now</a>
3	<a href="#">65W8558000</a> Coil, pulser	<a href="#">Buy now</a>
4	<a href="#">65W1154500</a> Key, woodruff	<a href="#">Buy now</a>
5	<a href="#">9020121M18</a> Washer, plate (663)	<a href="#">Buy now</a>
6	<a href="#">9017020137</a> Nut, hexagon(663)	<a href="#">Buy now</a>
7	<a href="#">9138005025</a> Bolt, hex. socket head	<a href="#">Buy now</a>
7	<a href="#">9138005030</a> Bolt,socket	<a href="#">Buy now</a>
8	<a href="#">9709505016</a> Bolt(6a1)	<a href="#">Buy now</a>
9	<a href="#">9299505600</a> Washer, plain (646)	<a href="#">Buy now</a>
10	<a href="#">9044610M82</a> Hose	<a href="#">Buy now</a>
11	<a href="#">65W8541001</a> Emergency signal light assembly	<a href="#">Buy now</a>
12	<a href="#">9046511M10</a> Clamp	<a href="#">Buy now</a>

# Generator



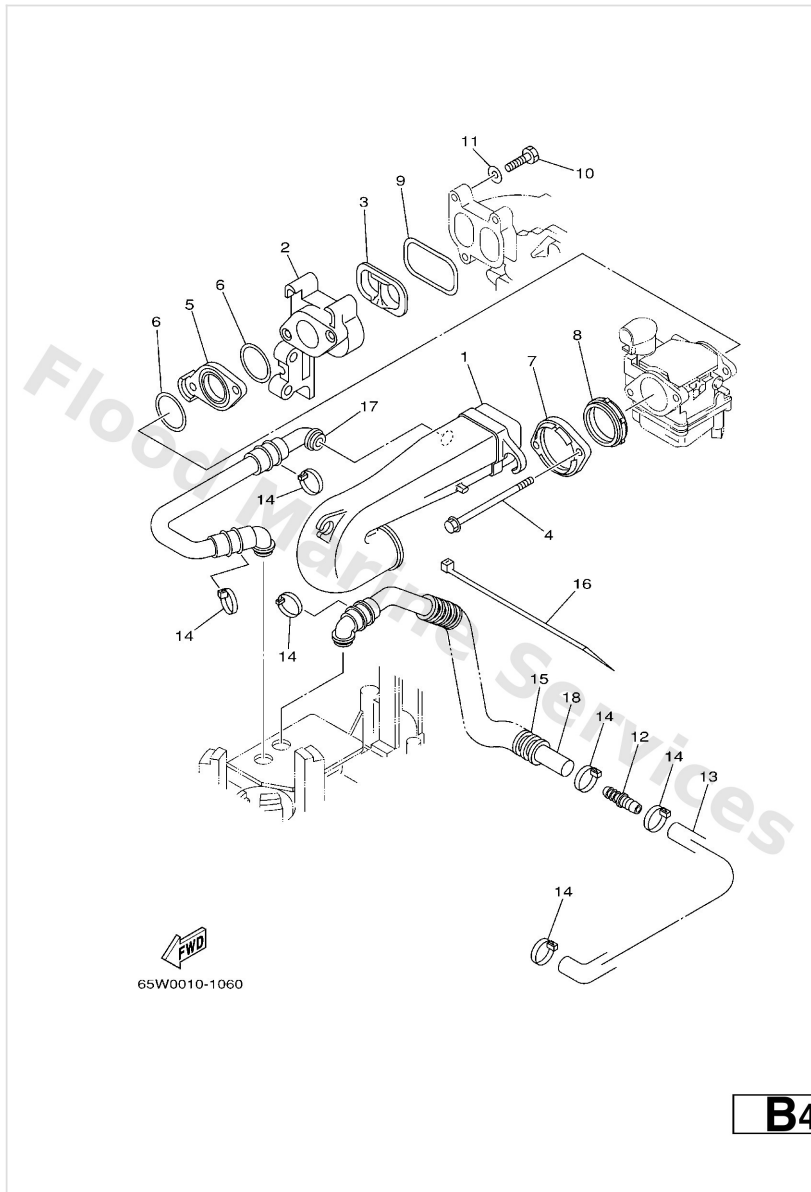
Ref	Part	
13	<a href="#">65W8133700</a> Cover Flywheel	<a href="#">Buy now</a>
14	<a href="#">65W8163900</a> Cover	<a href="#">Buy now</a>
15	<a href="#">9709506025</a> Bolt	<a href="#">Buy now</a>
16	<a href="#">9299506600</a> Washer, plain (646)	<a href="#">Buy now</a>
17	<a href="#">6G14272500</a> Grommet	<a href="#">Buy now</a>
18	<a href="#">65W8434200</a> Seat, emblem	<a href="#">Buy now</a>
19	<a href="#">65W8259410</a> Clamp	<a href="#">Buy now</a>
20	<a href="#">9046513M18</a> Clamp	<a href="#">Buy now</a>
21	<a href="#">65W1575800</a> Guide, Rope	<a href="#">Buy now</a>
21	<a href="#">65W1575810</a> Guide Rope	<a href="#">Buy now</a>
22	<a href="#">65W1576200</a> Seal, rubber 2	<a href="#">Buy now</a>
23	<a href="#">65W1577100</a> Stay 1	<a href="#">Buy now</a>
24	<a href="#">9709506020</a> Bolt(7u8)	<a href="#">Buy now</a>
25	<a href="#">9299506100</a> Washer(6a1)	<a href="#">Buy now</a>
27	<a href="#">65W1343761</a> Mark, Caution	<a href="#">Buy now</a>

# Generator



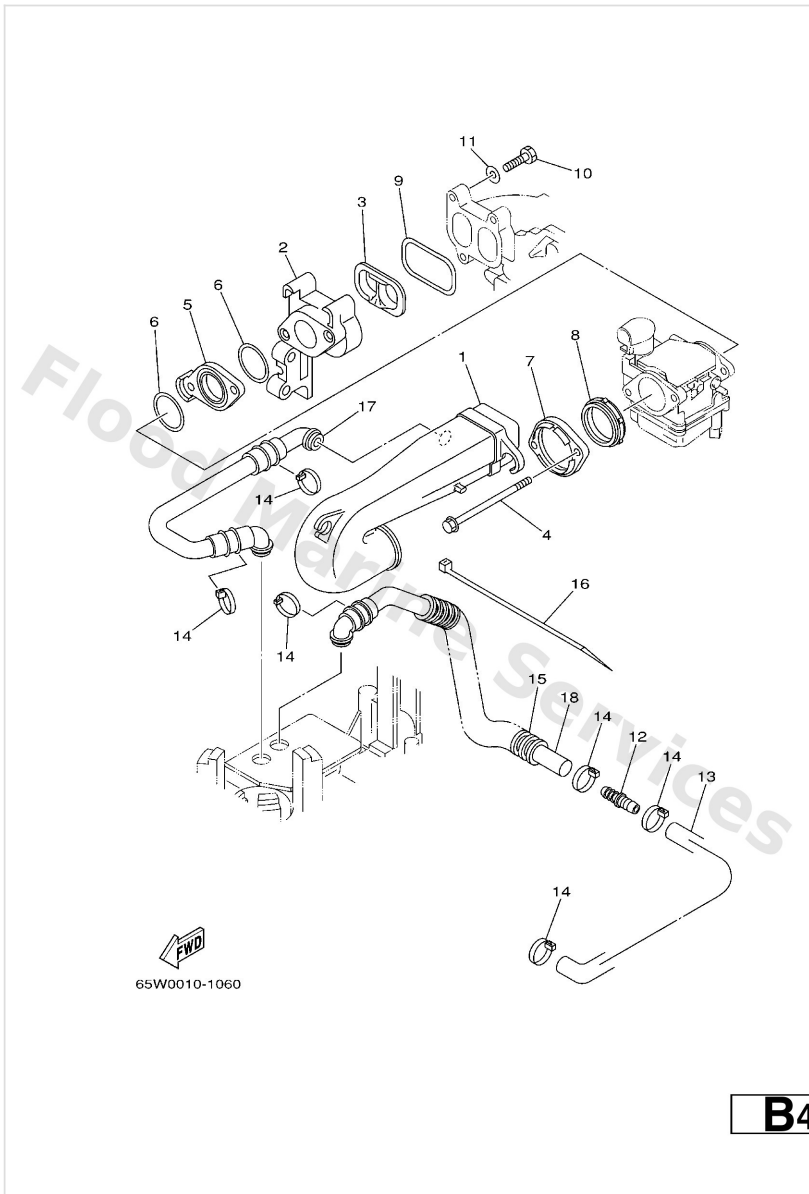
Ref	Part	
28	<a href="#">6A18362541</a> Mark 5	<a href="#">Buy now</a>
29	<a href="#">6A18362551</a> Mark 5	<a href="#">Buy now</a>

# Intake



Ref	Part	
1	<a href="#">65W1444000</a> Silencer assembly, intake	<a href="#">Buy now</a>
2	<a href="#">65W1364000</a> Manifold	<a href="#">Buy now</a>
3	<a href="#">65W1332300</a> Insert	<a href="#">Buy now</a>
4	<a href="#">65W1449600</a> Bolt	<a href="#">Buy now</a>
5	<a href="#">65W1427100</a> Insulator	<a href="#">Buy now</a>
6	<a href="#">65W1419800</a> Gasket	<a href="#">Buy now</a>
7	<a href="#">65W1426200</a> Flange	<a href="#">Buy now</a>
8	<a href="#">65W1445710</a> Seal	<a href="#">Buy now</a>
9	<a href="#">65W1364500</a> Gasket, manifold 1	<a href="#">Buy now</a>
10	<a href="#">9709506025</a> Bolt	<a href="#">Buy now</a>
11	<a href="#">9299506600</a> Washer, plain (646)	<a href="#">Buy now</a>
12	<a href="#">65W2437700</a> Pipe, joint 3	<a href="#">Buy now</a>
13	<a href="#">65W1539710</a> Pipe	<a href="#">Buy now</a>
14	<a href="#">9046513M36</a> Clamp(6h4)	<a href="#">Buy now</a>
15	<a href="#">9044624M54</a> Hose	<a href="#">Buy now</a>

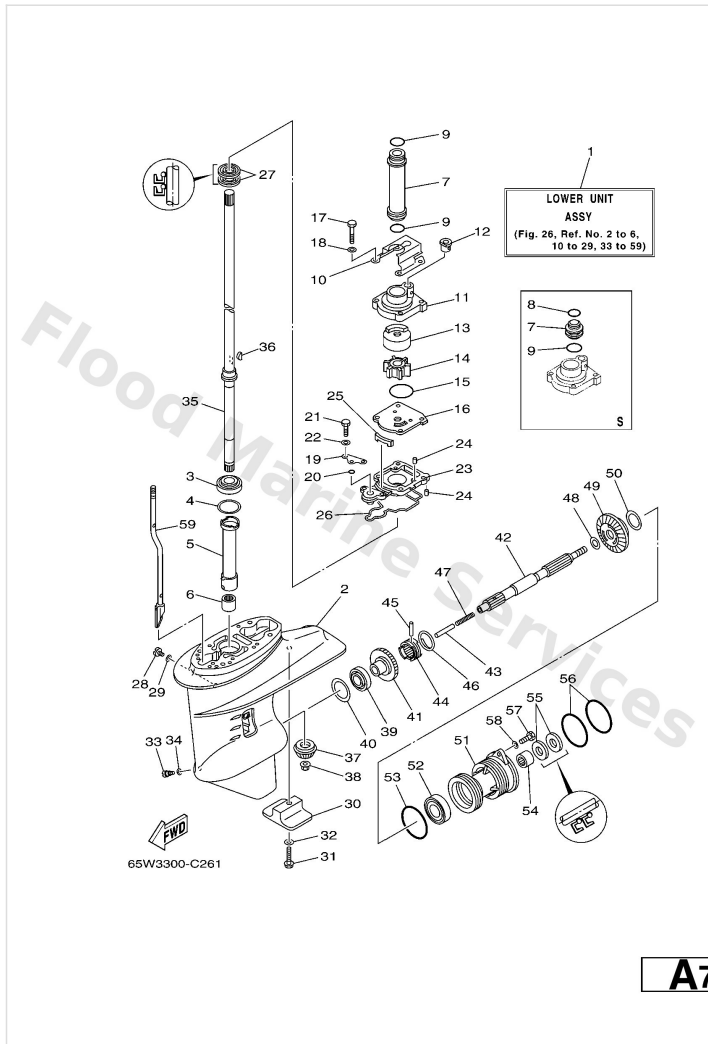
# Intake



Ref	Part	
16	<a href="#">9046511M52</a> Clamp(6e7)	<a href="#">Buy now</a>
17	<a href="#">65W1537000</a> Breather assembly	<a href="#">Buy now</a>
18	<a href="#">65W1537010</a> Breather assembly	<a href="#">Buy now</a>

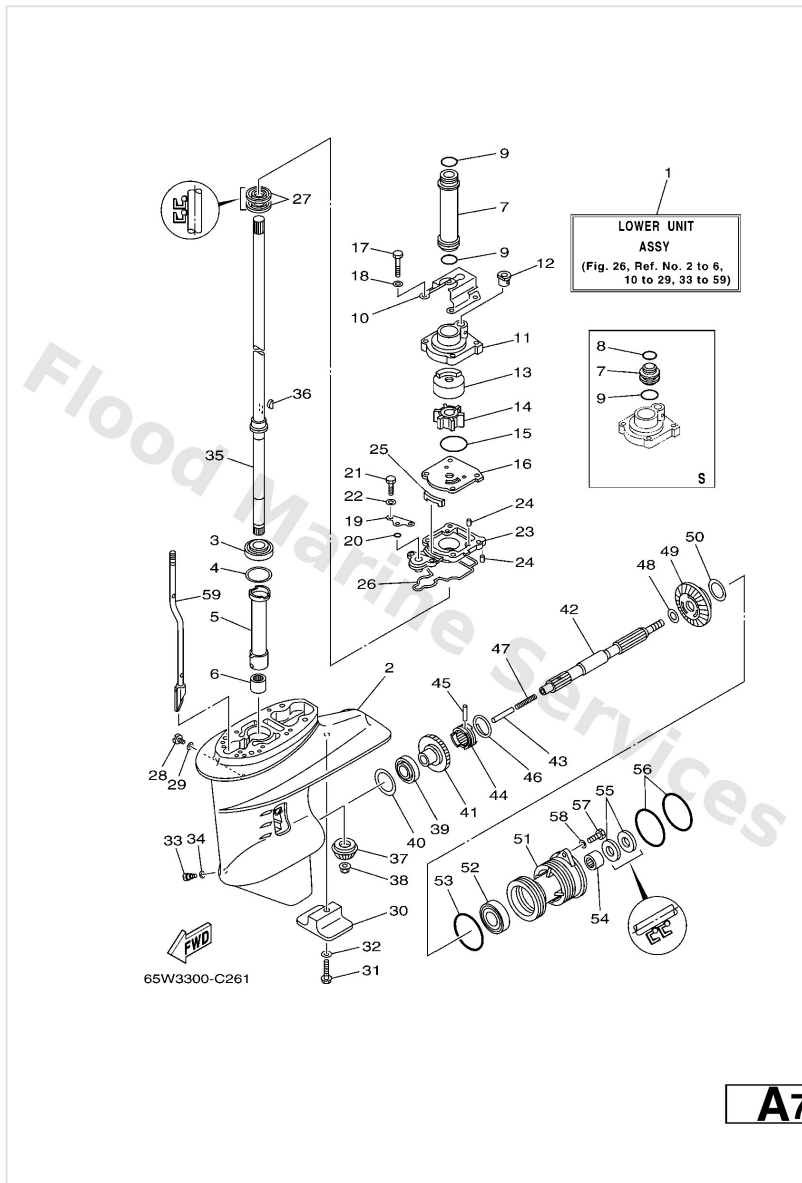


# Lower Casing & Drive 1



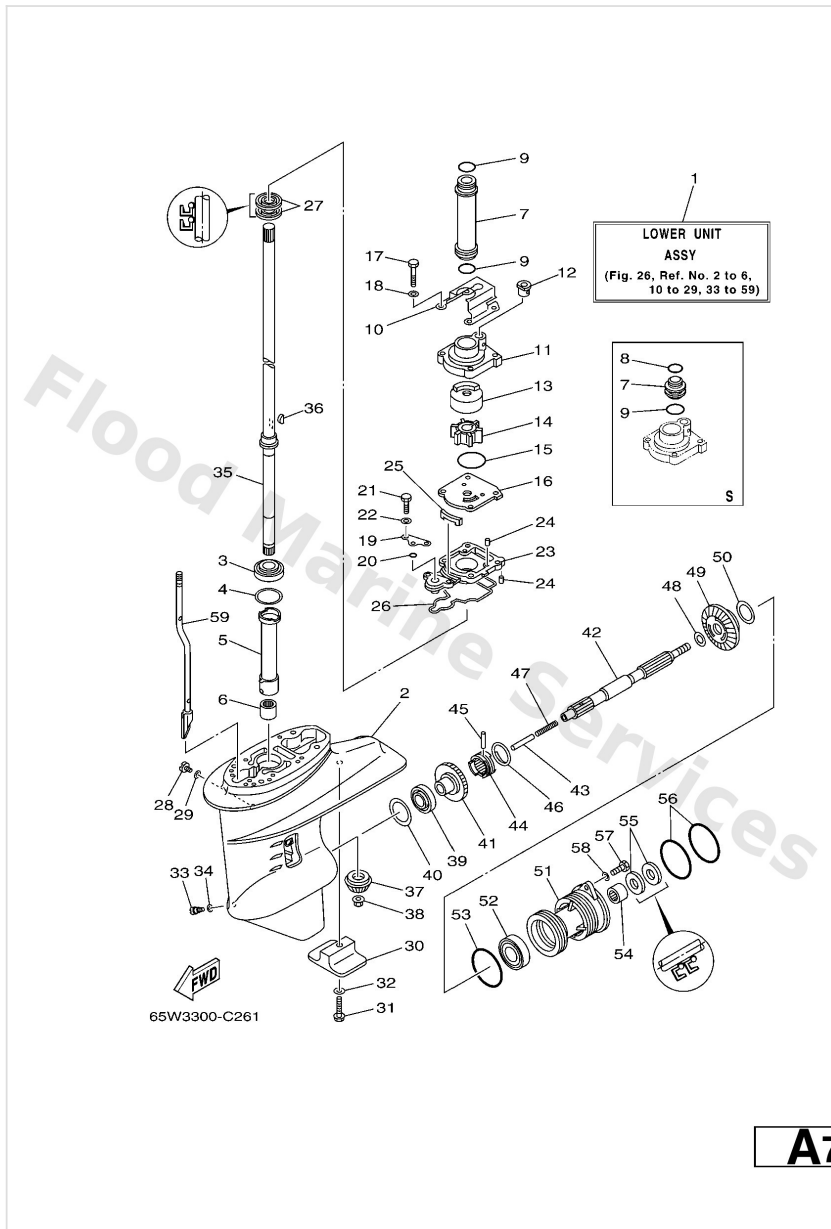
Ref	Part	
1	<a href="#">65W45300014D</a> Lower unit assembly S	<a href="#">Buy now</a>
1	<a href="#">65W45300114D</a> Lower unit assembly L	<a href="#">Buy now</a>
2	<a href="#">61N45311024D</a> Casing, lower	<a href="#">Buy now</a>
3	<a href="#">93332000W5</a> Bearing(61n)	<a href="#">Buy now</a>
4	<a href="#">61N455870007</a> Shim (t:0.70mm) UR	<a href="#">Buy now</a>
4	<a href="#">61N455870010</a> Shim (t:1.0mm) UR	<a href="#">Buy now</a>
4	<a href="#">61N455870011</a> Shim (t:1.1mm) UR	<a href="#">Buy now</a>
4	<a href="#">61N455870012</a> Shim (t:1.2mm) UR	<a href="#">Buy now</a>
4	<a href="#">61N455870013</a> Shim (t:1.3mm) UR	<a href="#">Buy now</a>
4	<a href="#">61N455870014</a> Shim (t:1.4mm) UR	<a href="#">Buy now</a>
4	<a href="#">61N455870015</a> Shim (t:1.5mm) UR	<a href="#">Buy now</a>
4	<a href="#">61N455870016</a> Shim (t:1.6mm) UR	<a href="#">Buy now</a>
5	<a href="#">61N4553600</a> Sleeve, drive shaft	<a href="#">Buy now</a>
6	<a href="#">93315220V7</a> Bearing, cylindrical(6j8)	<a href="#">Buy now</a>
7	<a href="#">61N4436200</a> Tube, water S	<a href="#">Buy now</a>

# Lower Casing & Drive 1



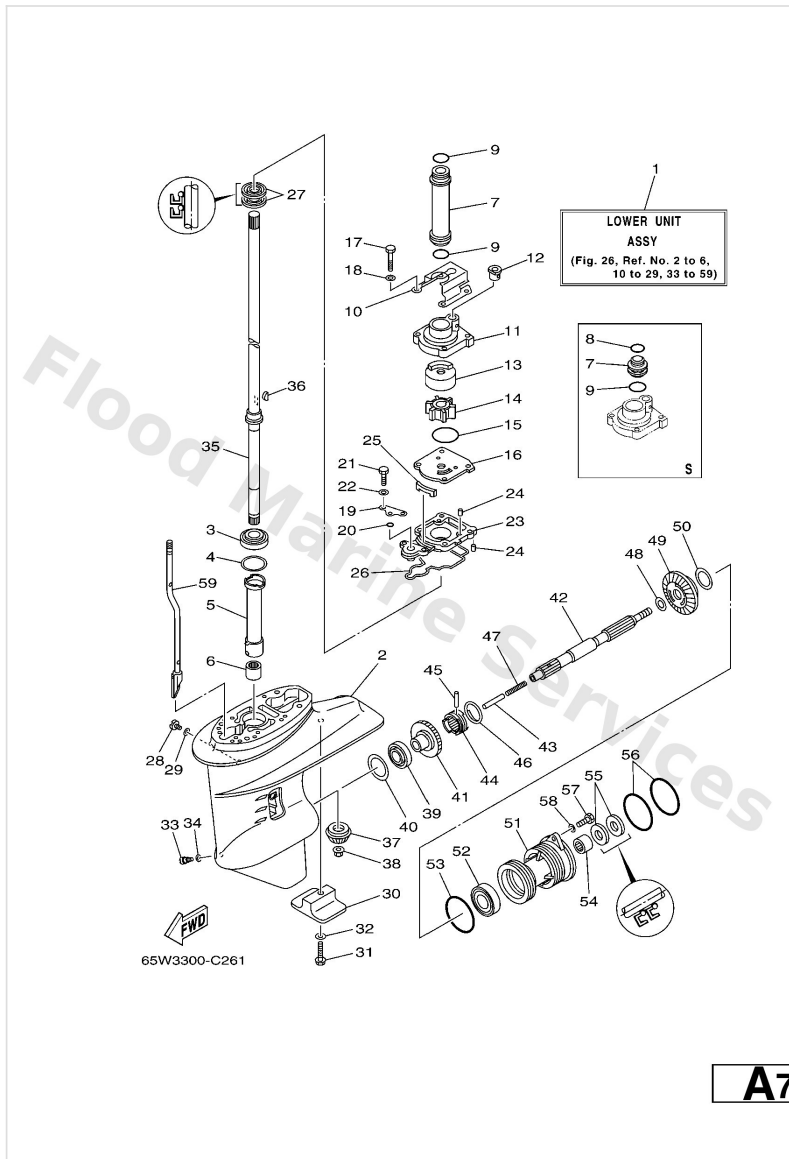
Ref	Part	
7	<a href="#">61N4436210</a> Tube, water L	<a href="#">Buy now</a>
8	<a href="#">9321022164</a> O-ring S	<a href="#">Buy now</a>
9	<a href="#">9321026130</a> O-ring S	<a href="#">Buy now</a>
10	<a href="#">65W4432811</a> Plate L	<a href="#">Buy now</a>
11	<a href="#">61N4431101</a> Housing, water pump	<a href="#">Buy now</a>
12	<a href="#">6L24436700</a> Damper, water seal 3	<a href="#">Buy now</a>
13	<a href="#">61N4432201</a> Insert, cartridge	<a href="#">Buy now</a>
14	<a href="#">6H44435202</a> Impeller	<a href="#">Buy now</a>
15	<a href="#">9321045161</a> O-ring	<a href="#">Buy now</a>
16	<a href="#">61N4432300</a> Outer plate, cartridge	<a href="#">Buy now</a>
17	<a href="#">9709506040</a> Bolt (682)	<a href="#">Buy now</a>
18	<a href="#">9299506600</a> Washer, plain (646)	<a href="#">Buy now</a>
19	<a href="#">65W4417600</a> Bracket	<a href="#">Buy now</a>
20	<a href="#">9321006ME6</a> O-ring	<a href="#">Buy now</a>
21	<a href="#">9709506025</a> Bolt	<a href="#">Buy now</a>

# Lower Casing & Drive 1



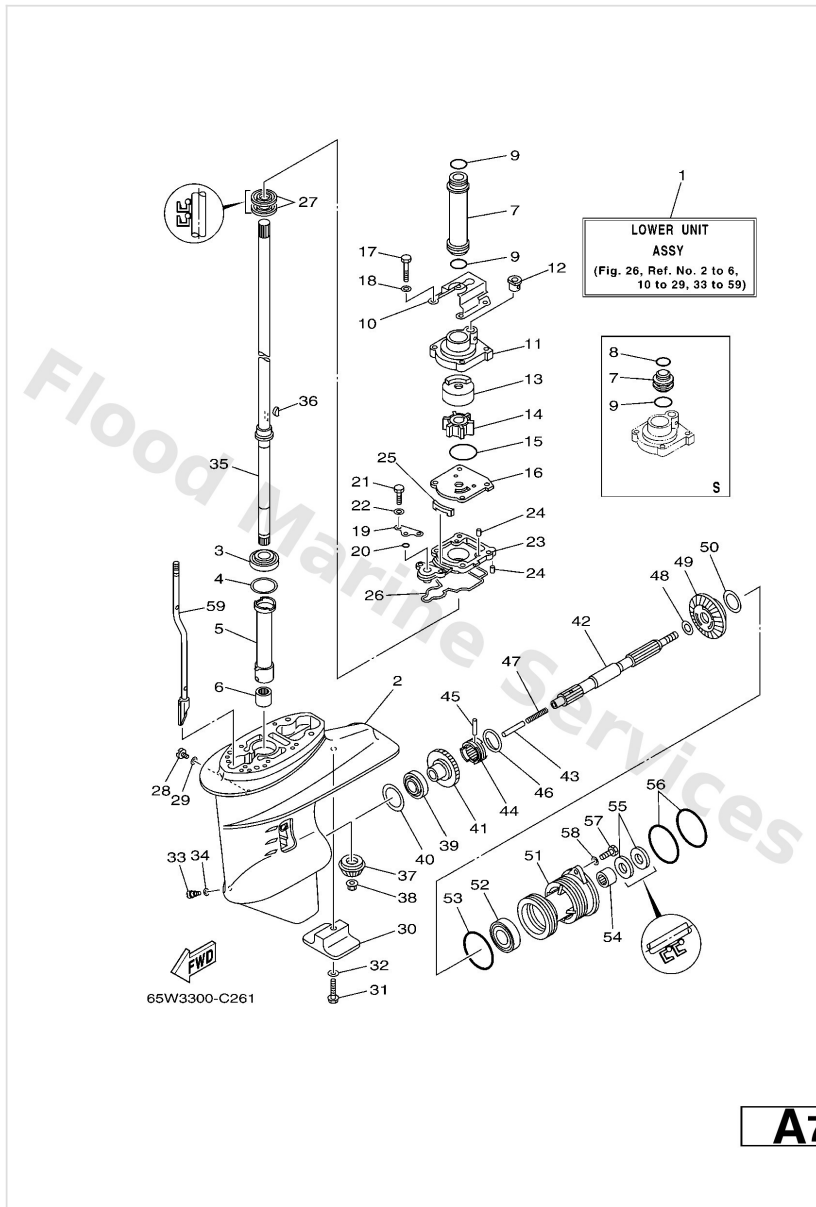
Ref	Part	
23	<a href="#">65W45331005B</a> Housing, bearing	<a href="#">Buy now</a>
24	<a href="#">9360410M03</a> Pin, dowel (688)	<a href="#">Buy now</a>
25	<a href="#">61N4512700</a> Seal	<a href="#">Buy now</a>
26	<a href="#">61N4531500</a> Packing, lower casing	<a href="#">Buy now</a>
27	<a href="#">9310122067</a> Oil seal (22x36x6-663)	<a href="#">Buy now</a>
28	<a href="#">9034008002</a> Plug, straight screw	<a href="#">Buy now</a>
29	<a href="#">9043008020</a> Gasket	<a href="#">Buy now</a>
30	<a href="#">61N4525101</a> Anode	<a href="#">Buy now</a>
31	<a href="#">9589506035</a> Bolt, flange(4nx)	<a href="#">Buy now</a>
32	<a href="#">9299006300</a> Washer, tooth	<a href="#">Buy now</a>
33	<a href="#">6884534110</a> Plug, drain	<a href="#">Buy now</a>
35	<a href="#">61N4551000</a> Drive shaft assembly S	<a href="#">Buy now</a>
35	<a href="#">61N4551010</a> Drive shaft assembly L	<a href="#">Buy now</a>
36	<a href="#">9028003024</a> Key, woodruff(662)	<a href="#">Buy now</a>
37	<a href="#">61N4555100</a> Pinion	<a href="#">Buy now</a>

# Lower Casing & Drive 1



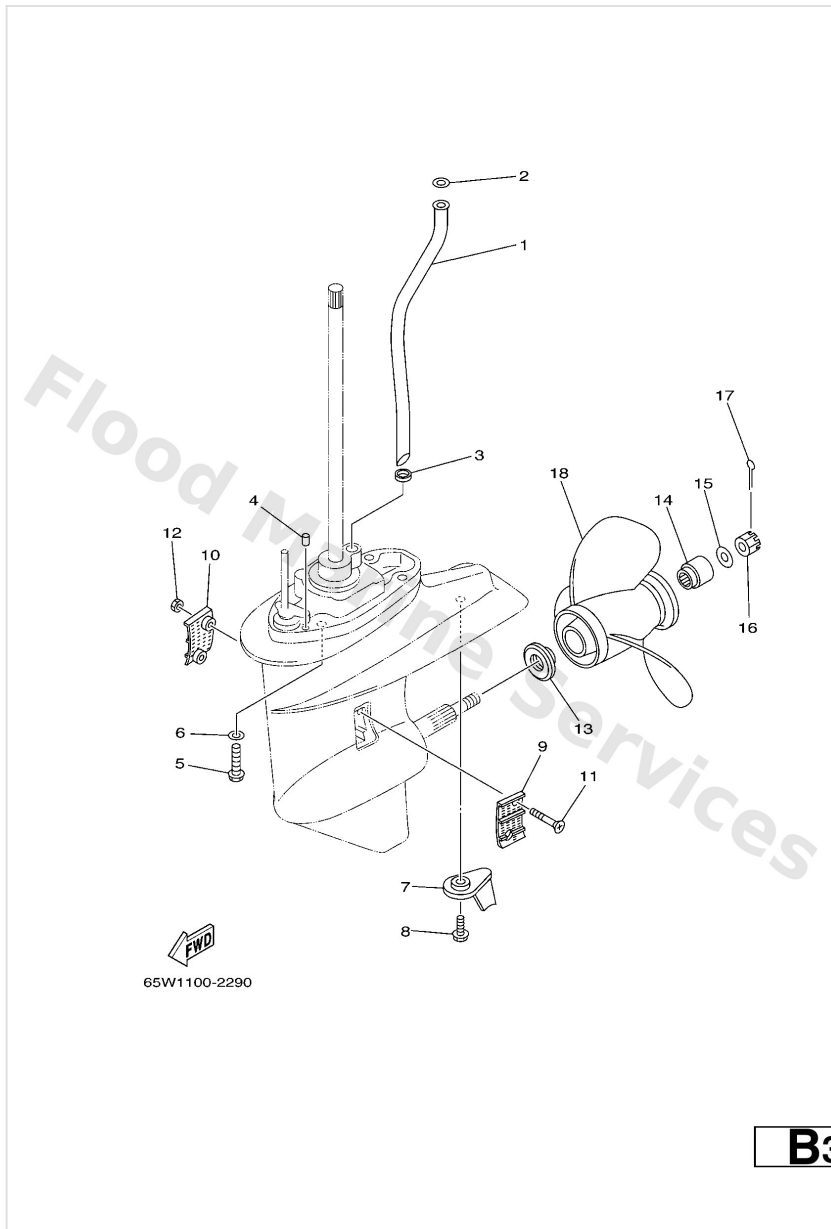
Ref	Part	
38	<a href="#">9017910M14</a> Nut(6j8)	<a href="#">Buy now</a>
39	<a href="#">9333200005</a> Brg,cyl-cal roller 0.19g nt	<a href="#">Buy now</a>
40	<a href="#">6L2455670010</a> Shim (t:1.0mm) UR	<a href="#">Buy now</a>
40	<a href="#">6L2455670011</a> Shim (t:1.1mm) UR	<a href="#">Buy now</a>
40	<a href="#">6L2455670012</a> Shim (t:1.2mm) UR	<a href="#">Buy now</a>
40	<a href="#">6L2455670013</a> Shim (t:1.3mm) UR	<a href="#">Buy now</a>
40	<a href="#">6L2455670014</a> Shim (t:1.4mm) UR	<a href="#">Buy now</a>
41	<a href="#">61N4556010</a> Gear	<a href="#">Buy now</a>
42	<a href="#">65W4561100</a> Shaft, propeller	<a href="#">Buy now</a>
43	<a href="#">6484563500</a> Plunger,shift	<a href="#">Buy now</a>
44	<a href="#">6644563102</a> Clutch, dog	<a href="#">Buy now</a>
45	<a href="#">9025005010</a> Pin straight 648456320000	<a href="#">Buy now</a>
46	<a href="#">6484563300</a> Ring, cross pin	<a href="#">Buy now</a>
47	<a href="#">9050110065</a> Spring compression648456360000	<a href="#">Buy now</a>
48	<a href="#">9020120417</a> Washer, plate(663)	<a href="#">Buy now</a>

# Lower Casing & Drive 1



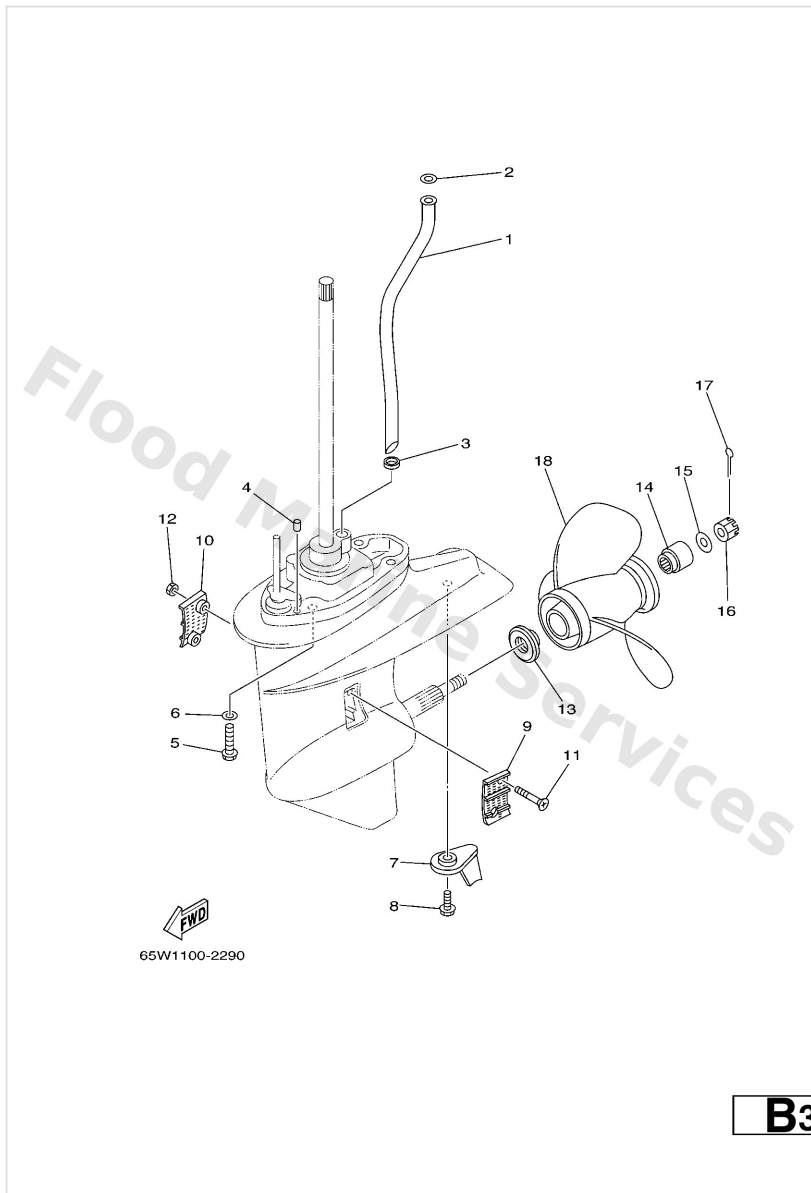
Ref	Part	
49	<a href="#">61N4557100</a> Gear	<a href="#">Buy now</a>
50	<a href="#">6L2455770010</a> Shim (t:1.0mm) UR	<a href="#">Buy now</a>
50	<a href="#">6L2455770011</a> Shim (t:1.1mm) UR	<a href="#">Buy now</a>
50	<a href="#">6L2455770012</a> Shim (t:1.2mm) UR	<a href="#">Buy now</a>
50	<a href="#">6L2455770013</a> Shim (t:1.3mm) UR	<a href="#">Buy now</a>
51	<a href="#">61N45361014D</a> Cap, lower casing	<a href="#">Buy now</a>
52	<a href="#">9330600612</a> Bearing(2hr)	<a href="#">Buy now</a>
53	<a href="#">9321064ME7</a> O-ring	<a href="#">Buy now</a>
54	<a href="#">9331522004</a> Brg,cyl-cal roller 21g nt	<a href="#">Buy now</a>
55	<a href="#">9310120M07</a> Oil seal	<a href="#">Buy now</a>
56	<a href="#">9321065M50</a> O-ring	<a href="#">Buy now</a>
57	<a href="#">9707506020</a> Bolt(7u8)	<a href="#">Buy now</a>
59	<a href="#">65W4415001</a> Shift cam assembly S	<a href="#">Buy now</a>
59	<a href="#">65W4415011</a> Shift cam assembly L	<a href="#">Buy now</a>

## Lower Casing & Drive 2



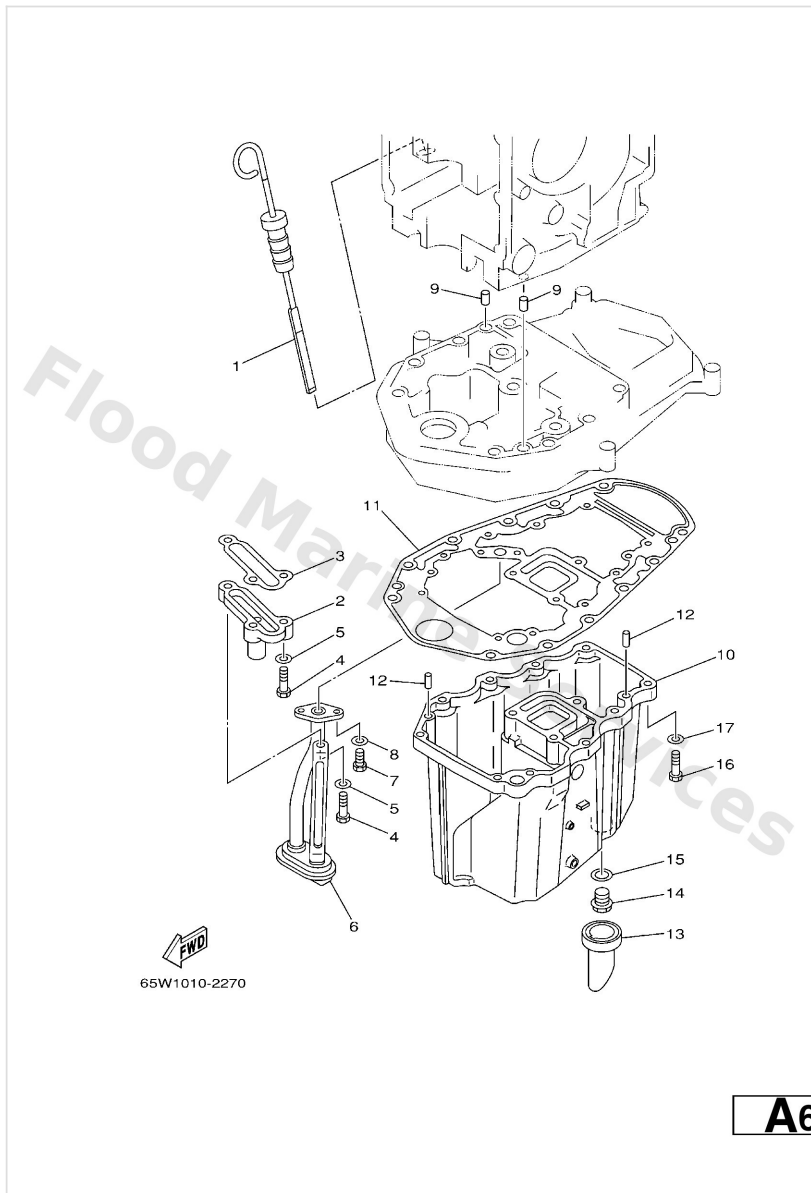
Ref	Part	
1	<a href="#">65W4436101</a> Tube, water S	<a href="#">Buy now</a>
1	<a href="#">65W4436111</a> Tube, water L	<a href="#">Buy now</a>
2	<a href="#">9020212060</a> Washer, plate(663)	<a href="#">Buy now</a>
3	<a href="#">9043010002</a> Gasket	<a href="#">Buy now</a>
4	<a href="#">9360611M24</a> Pin, dowel	<a href="#">Buy now</a>
5	<a href="#">9010510M12</a> Bolt (689)	<a href="#">Buy now</a>
6	<a href="#">9299510600</a> Washer, plate	<a href="#">Buy now</a>
7	<a href="#">61N4537100</a> Tab-trim	<a href="#">Buy now</a>
8	<a href="#">9011906M48</a> Bolt, with washer(61n)	<a href="#">Buy now</a>
9	<a href="#">6L24521400</a> Cover, water inlet	<a href="#">Buy now</a>
10	<a href="#">6L24521500</a> Cover, water inlet	<a href="#">Buy now</a>
11	<a href="#">9015105M05</a> Screw, countersunk	<a href="#">Buy now</a>
12	<a href="#">9018505002</a> Nut nylon (sus)(ex4)	<a href="#">Buy now</a>
13	<a href="#">6L24598701</a> Spacer	<a href="#">Buy now</a>
14	<a href="#">6894599700</a> Spacer	<a href="#">Buy now</a>

## Lower Casing & Drive 2



Ref	Part	
15	<a href="#">9299014200</a> Washer, plain	<a href="#">Buy now</a>
16	<a href="#">9017114013</a> Nut(664)	<a href="#">Buy now</a>
17	<a href="#">9149030022</a> Pin, cotter	<a href="#">Buy now</a>
18	<a href="#">6644594101EL</a> Propeller (3x9-7/8"x9"-f) UR	<a href="#">Buy now</a>
18	<a href="#">6644594301EL</a> Propeller (3x9-7/8 x8 -f) UR	<a href="#">Buy now</a>
18	<a href="#">6644594500EL</a> Propeller (3x9-7/8 x10-1/2 -f) UR	<a href="#">Buy now</a>
18	<a href="#">6644594701EL</a> Propeller (3x9-7/8 x11-1/4 -f) UR	<a href="#">Buy now</a>
18	<a href="#">6644594902EL</a> Propeller (3x9-7/8 x13 -f) UR	<a href="#">Buy now</a>
18	<a href="#">6644595200EL</a> Propeller (3x9-7/8 x14 -f) UR	<a href="#">Buy now</a>
18	<a href="#">6644595400EL</a> Propeller (3x9-7/8 x12 -f) UR	<a href="#">Buy now</a>
18	<a href="#">664459700098</a> Propeller (3x9-1/8 x13 -f) UR	<a href="#">Buy now</a>
18	<a href="#">664459720098</a> Propeller (3x9-1/8 x12 -f) UR	<a href="#">Buy now</a>

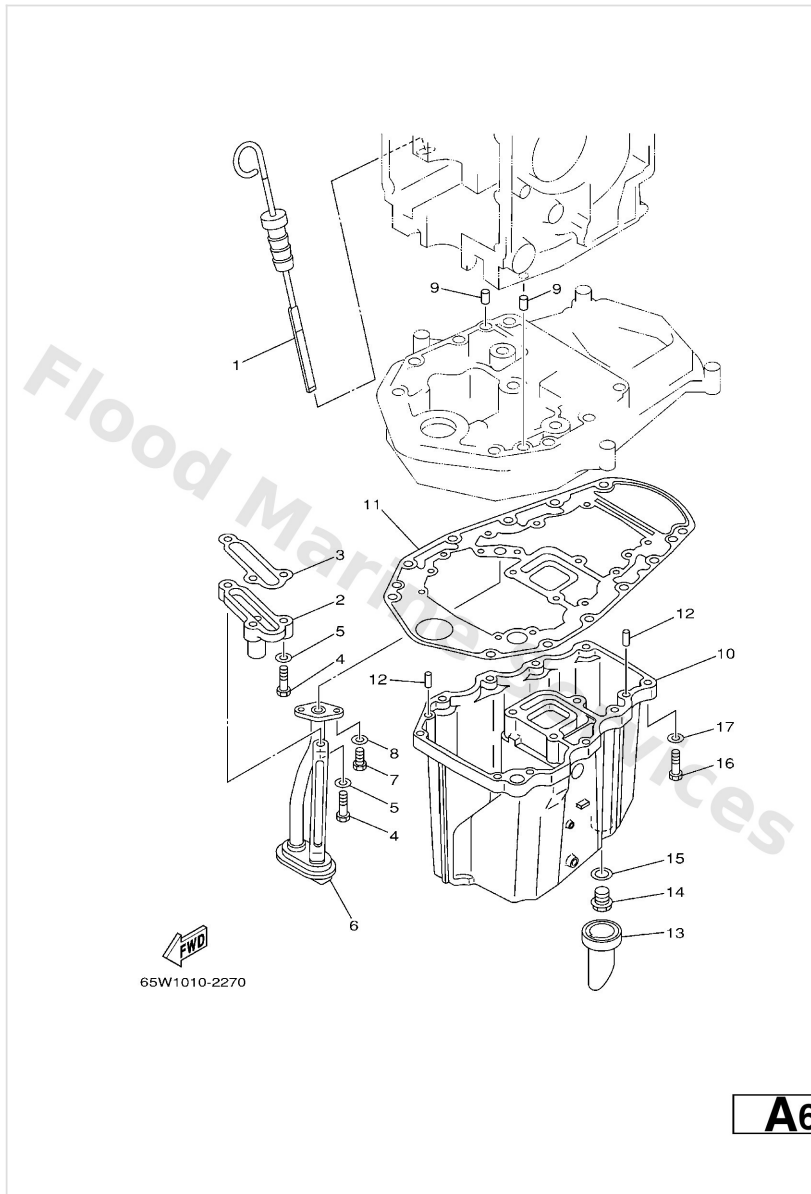
# Oil Pan



Ref	Part	
1	<a href="#">65W1536201</a> Plug, oil level	<a href="#">Buy now</a>
2	<a href="#">62Y1157500</a> Relief valve ass'y	<a href="#">Buy now</a>
3	<a href="#">62Y1347500</a> Gasket	<a href="#">Buy now</a>
4	<a href="#">9701306025</a> Bolt(62y)	<a href="#">Buy now</a>
5	<a href="#">9290306600</a> Washer, plain (646)	<a href="#">Buy now</a>
6	<a href="#">65W1341100</a> Strainer, oil	<a href="#">Buy now</a>
7	<a href="#">9701306016</a> Bolt, hexagon deep recess	<a href="#">Buy now</a>
9	<a href="#">9360812M05</a> Pin, dowel b (6e5)	<a href="#">Buy now</a>
10	<a href="#">65W15311025B</a> Oil pan	<a href="#">Buy now</a>
11	<a href="#">69W1531200</a> Gasket, oil pan	<a href="#">Buy now</a>
12	<a href="#">9360612019</a> Pin, dowel (614)	<a href="#">Buy now</a>
13	<a href="#">65W1531600</a> Damper 1	<a href="#">Buy now</a>
14	<a href="#">9034014M06</a> Plug, straight screw(62y)	<a href="#">Buy now</a>
15	<a href="#">9043014M09</a> Gasket	<a href="#">Buy now</a>
16	<a href="#">9707506025</a> Bolt	<a href="#">Buy now</a>

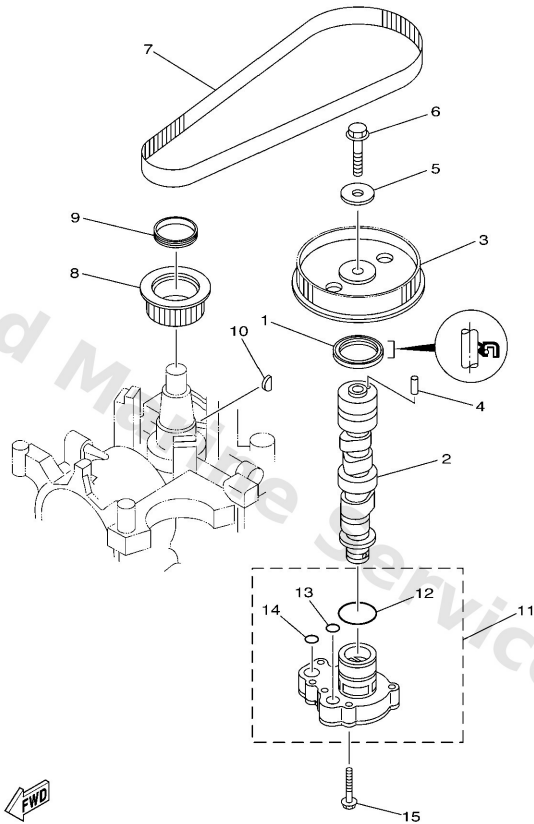


# Oil Pan



Ref	Part	
17	<a href="#">9299506600</a> Washer, plain (646)	<a href="#">Buy now</a>

# Oil Pump

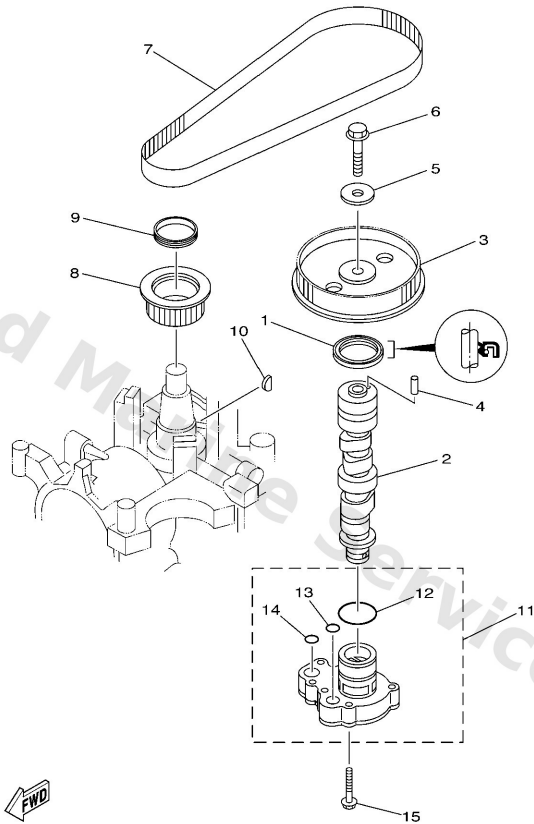


  
65W1010-2080

**B7**

Ref	Part	
1	<a href="#">9310237M40</a> Oil seal(62y)	<a href="#">Buy now</a>
2	<a href="#">65W1217020</a> Camshaft assembly 1	<a href="#">Buy now</a>
2	<a href="#">65W1217101</a> Camshaft 1	<a href="#">Buy now</a>
3	<a href="#">65W1153701</a> Gear, driven	<a href="#">Buy now</a>
4	<a href="#">9360514143</a> Pin (2h7)	<a href="#">Buy now</a>
5	<a href="#">9020110M06</a> Washer, plate(62y)	<a href="#">Buy now</a>
6	<a href="#">9589510040</a> Bolt, flange deep recess	<a href="#">Buy now</a>
7	<a href="#">65W4624100</a> Belt	<a href="#">Buy now</a>
8	<a href="#">65W1153610</a> Gear, drive	<a href="#">Buy now</a>
9	<a href="#">65W1147600</a> Spring	<a href="#">Buy now</a>
10	<a href="#">9028004M06</a> Key, woodruff(6a1)	<a href="#">Buy now</a>
11	<a href="#">65W1330000</a> Oil pump assembly	<a href="#">Buy now</a>
12	<a href="#">9321033MH2</a> O-ring(62y)	<a href="#">Buy now</a>
13	<a href="#">9321012MG9</a> O-ring(62y)	<a href="#">Buy now</a>
14	<a href="#">9321014515</a> O-ring (11h)	<a href="#">Buy now</a>

# Oil Pump

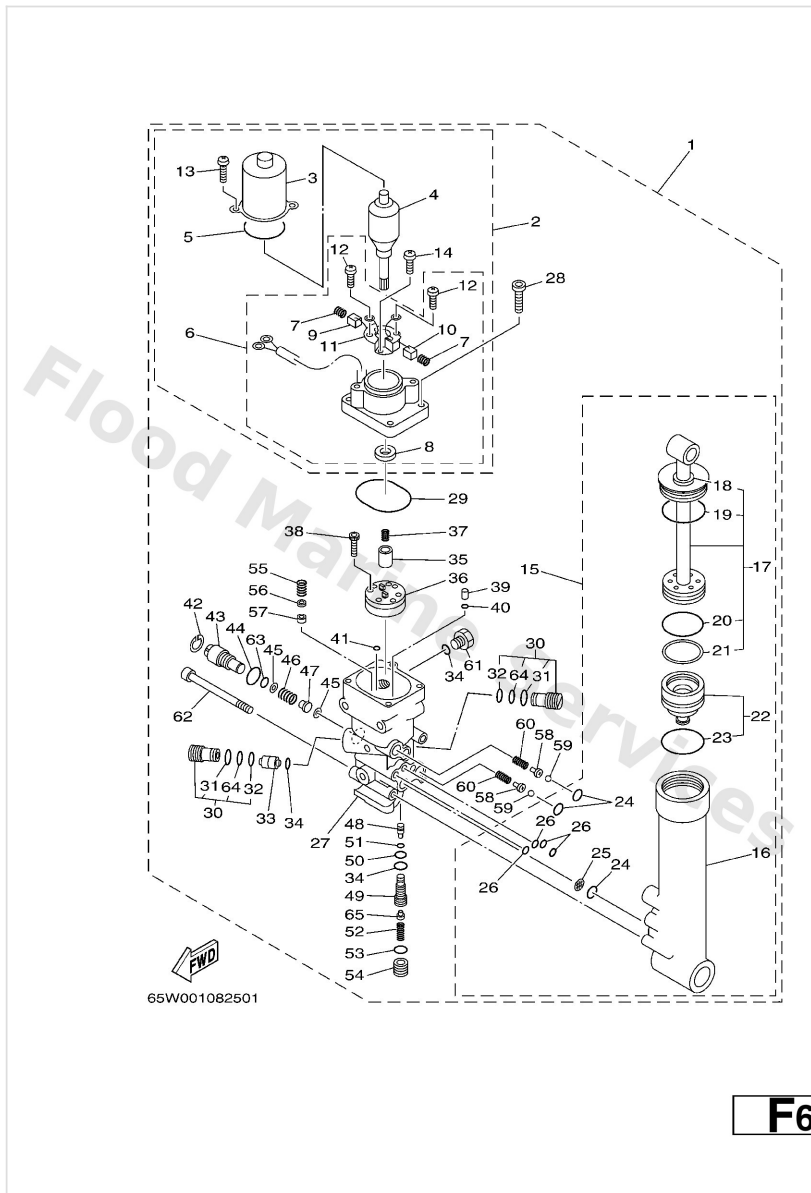


  
65W1010-2080

**B7**

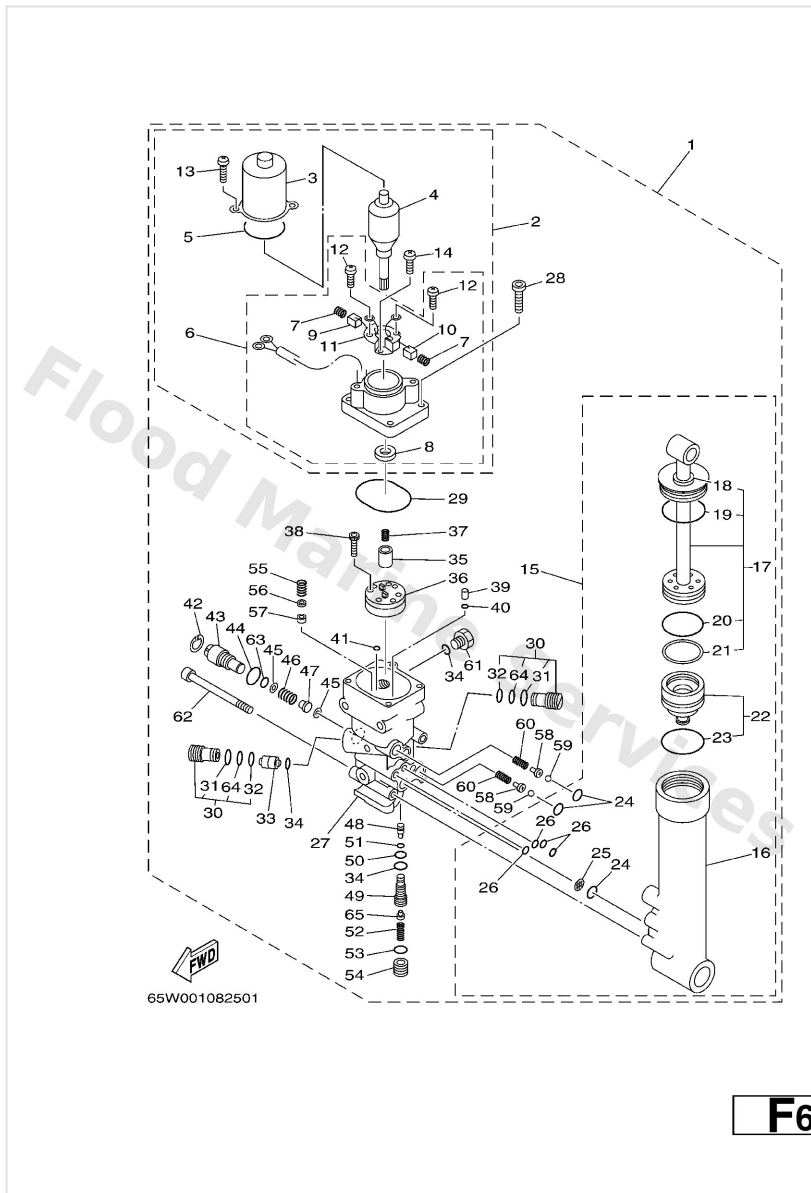
Ref	Part	
15	<a href="#">9011906MA5</a> Bolt, with washer	<a href="#">Buy now</a>

# Power Trim & Tilt Assy



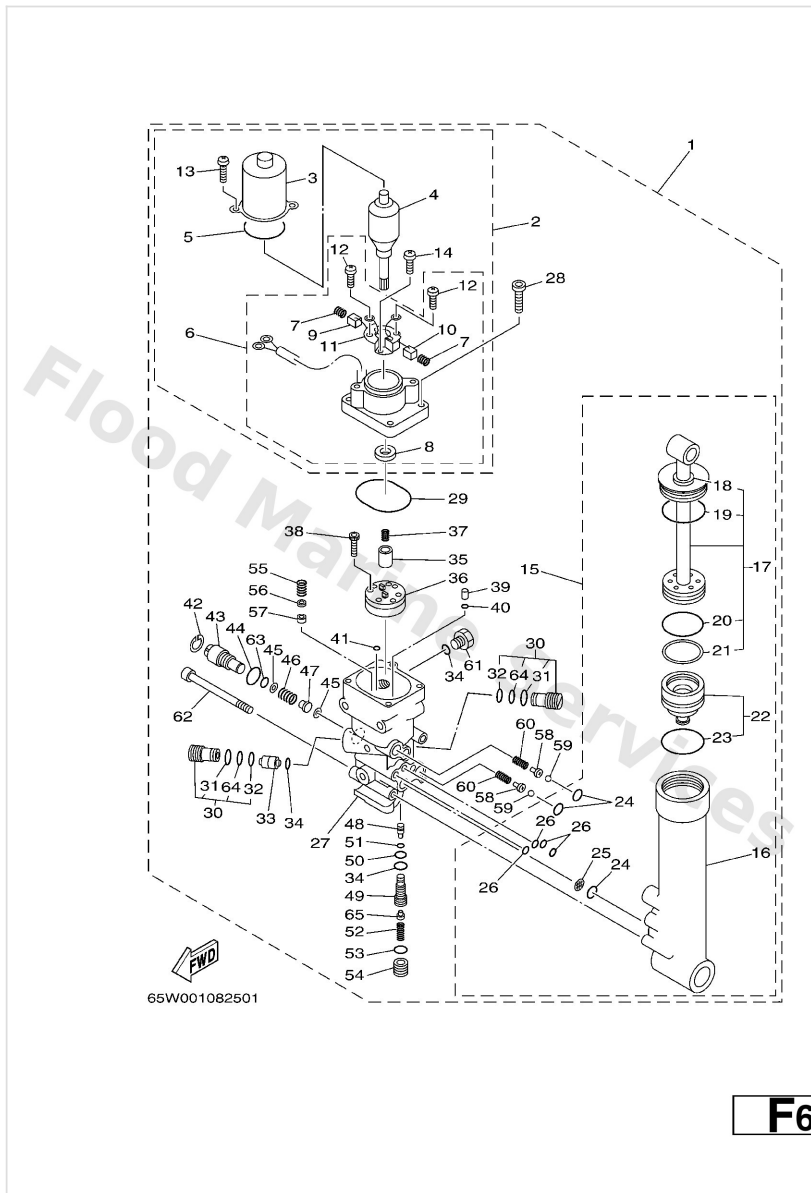
Ref	Part	
1	<a href="#">65W43800024D</a> Power trim & tilt assembly	<a href="#">Buy now</a>
2	<a href="#">65W4388000</a> Motor assembly (hitachi)	<a href="#">Buy now</a>
3	<a href="#">65W4380400</a> Stator assembly	<a href="#">Buy now</a>
4	<a href="#">65W4380500</a> Armature assembly	<a href="#">Buy now</a>
5	<a href="#">65W4386900</a> O-ring	<a href="#">Buy now</a>
6	<a href="#">65W4388100</a> Frame, End	<a href="#">Buy now</a>
7	<a href="#">65W4386K00</a> Spring, brush	<a href="#">Buy now</a>
8	<a href="#">65W4388200</a> Oil seal	<a href="#">Buy now</a>
9	<a href="#">65W4389200</a> Brush 2	<a href="#">Buy now</a>
10	<a href="#">65W4389100</a> Brush 1	<a href="#">Buy now</a>
11	<a href="#">65W4380F00</a> Plate, brush holder	<a href="#">Buy now</a>
12	<a href="#">65W4387900</a> Screw, with washer	<a href="#">Buy now</a>
13	<a href="#">65W4388700</a> Bolt, screw	<a href="#">Buy now</a>
14	<a href="#">65W4388E00</a> Bolt	<a href="#">Buy now</a>
15	<a href="#">65W4384000</a> Power tilt assembly	<a href="#">Buy now</a>

# Power Trim & Tilt Assy



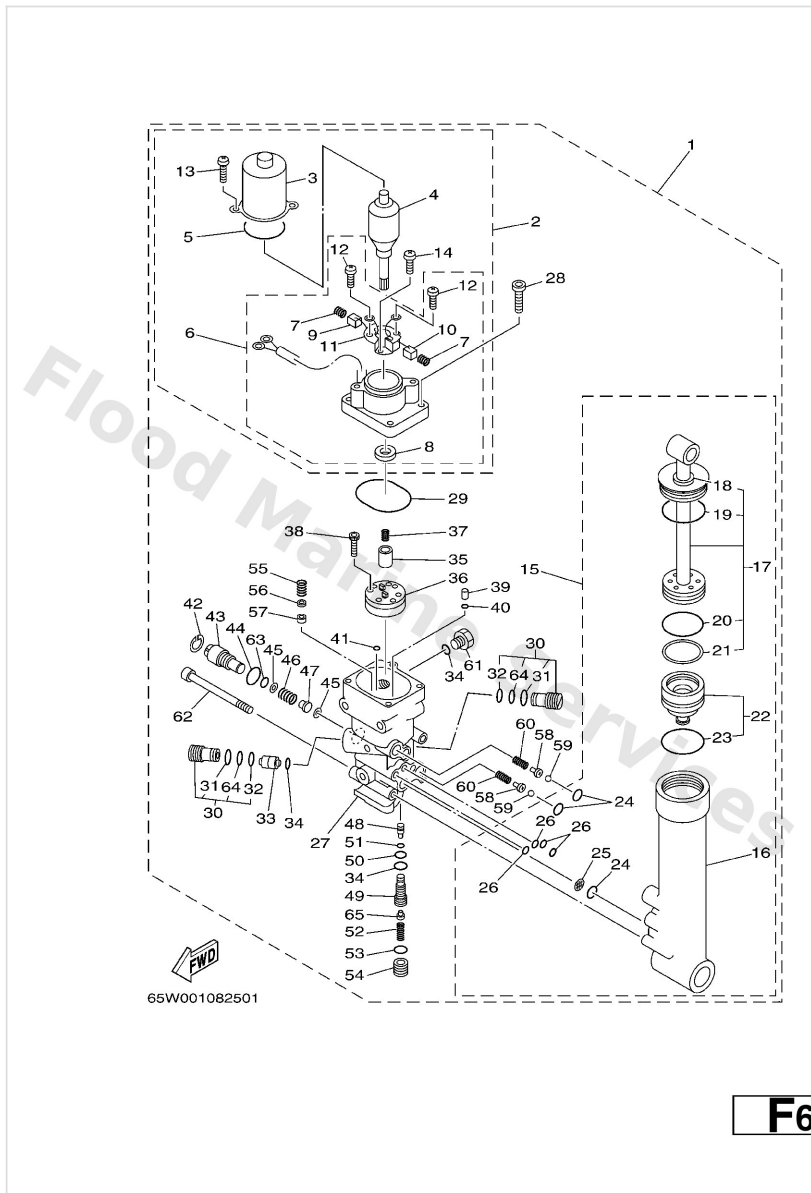
Ref	Part	
16	<a href="#">65W4380K00</a> Cylinder, tilt sub assembly	<a href="#">Buy now</a>
17	<a href="#">65W4381000</a> Tilt piston sub assembly	<a href="#">Buy now</a>
18	<a href="#">65W4381200</a> Seal, dust	<a href="#">Buy now</a>
19	<a href="#">65W4386500</a> O-ring	<a href="#">Buy now</a>
20	<a href="#">6H14386110</a> O-ring	<a href="#">Buy now</a>
21	<a href="#">65W4387100</a> Ring, back up	<a href="#">Buy now</a>
22	<a href="#">65W4381B00</a> Free piston sub assembly	<a href="#">Buy now</a>
24	<a href="#">9321011368</a> O-ring (2h7)	<a href="#">Buy now</a>
25	<a href="#">6H14381600</a> Filter 1	<a href="#">Buy now</a>
26	<a href="#">93210064A5</a> O-ring(61a)	<a href="#">Buy now</a>
27	<a href="#">65W4380L00</a> Housing, trim & tilt sub assembly	<a href="#">Buy now</a>
28	<a href="#">65W4388800</a> Bolt, hexagon socket head(1jk)	<a href="#">Buy now</a>
29	<a href="#">9321050768</a> O-ring	<a href="#">Buy now</a>
30	<a href="#">6T44380203</a> Valve sub assembly	<a href="#">Buy now</a>
31	<a href="#">6H14386600</a> O-ring	<a href="#">Buy now</a>

# Power Trim & Tilt Assy



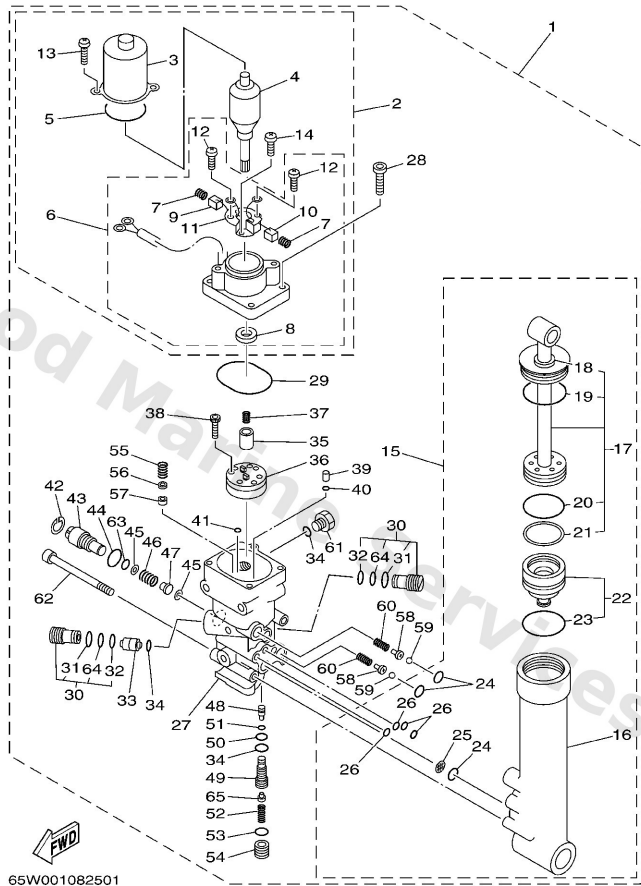
Ref	Part	
32	<a href="#">6H14386700</a> O-ring	<a href="#">Buy now</a>
33	<a href="#">62X4384100</a> Piston, shuttle	<a href="#">Buy now</a>
34	<a href="#">9321009165</a> O-ring	<a href="#">Buy now</a>
35	<a href="#">65W4383100</a> Connector, shaft	<a href="#">Buy now</a>
36	<a href="#">65W4383000</a> Gear pump assembly	<a href="#">Buy now</a>
37	<a href="#">6T44385300</a> Spring, main valve	<a href="#">Buy now</a>
38	<a href="#">9131804025</a> Bolt(62x)	<a href="#">Buy now</a>
39	<a href="#">65W4381700</a> Filter 2	<a href="#">Buy now</a>
40	<a href="#">65W4386100</a> O-ring	<a href="#">Buy now</a>
41	<a href="#">65W4386200</a> O-ring	<a href="#">Buy now</a>
42	<a href="#">6H14387500</a> Ring, snap	<a href="#">Buy now</a>
43	<a href="#">6H14384500</a> Screw, manual release	<a href="#">Buy now</a>
44	<a href="#">9321018397</a> O-ring (6g5)	<a href="#">Buy now</a>
45	<a href="#">6H14384700</a> Seat, manual valve	<a href="#">Buy now</a>
46	<a href="#">65W4385400</a> Spring, manual release	<a href="#">Buy now</a>

# Power Trim & Tilt Assy



Ref	Part	
47	<a href="#">65W4382A00</a> Adaptor 1	<a href="#">Buy now</a>
48	<a href="#">65W4384400</a> Pin, valve support	<a href="#">Buy now</a>
49	<a href="#">65W4385100</a> Seat, relief valve	<a href="#">Buy now</a>
50	<a href="#">9321008006</a> O-ring	<a href="#">Buy now</a>
51	<a href="#">9321003478</a> O-ring(31m)	<a href="#">Buy now</a>
52	<a href="#">65W4385500</a> Spring, up relief	<a href="#">Buy now</a>
53	<a href="#">9321011073</a> O-ring (p95)	<a href="#">Buy now</a>
54	<a href="#">65W4384300</a> Screw, valve lock	<a href="#">Buy now</a>
55	<a href="#">6H14385610</a> Spring, down relief	<a href="#">Buy now</a>
56	<a href="#">6H14384410</a> Pin, valve support	<a href="#">Buy now</a>
57	<a href="#">6H14384F10</a> Seal, main valve	<a href="#">Buy now</a>
58	<a href="#">65W4386A00</a> Pin, absorber valve	<a href="#">Buy now</a>
59	<a href="#">9350108001</a> Ball	<a href="#">Buy now</a>
60	<a href="#">65W4385300</a> Spring, absorber valve	<a href="#">Buy now</a>
61	<a href="#">6H14382900</a> Plug, reservoir	<a href="#">Buy now</a>

# Power Trim & Tilt Assy



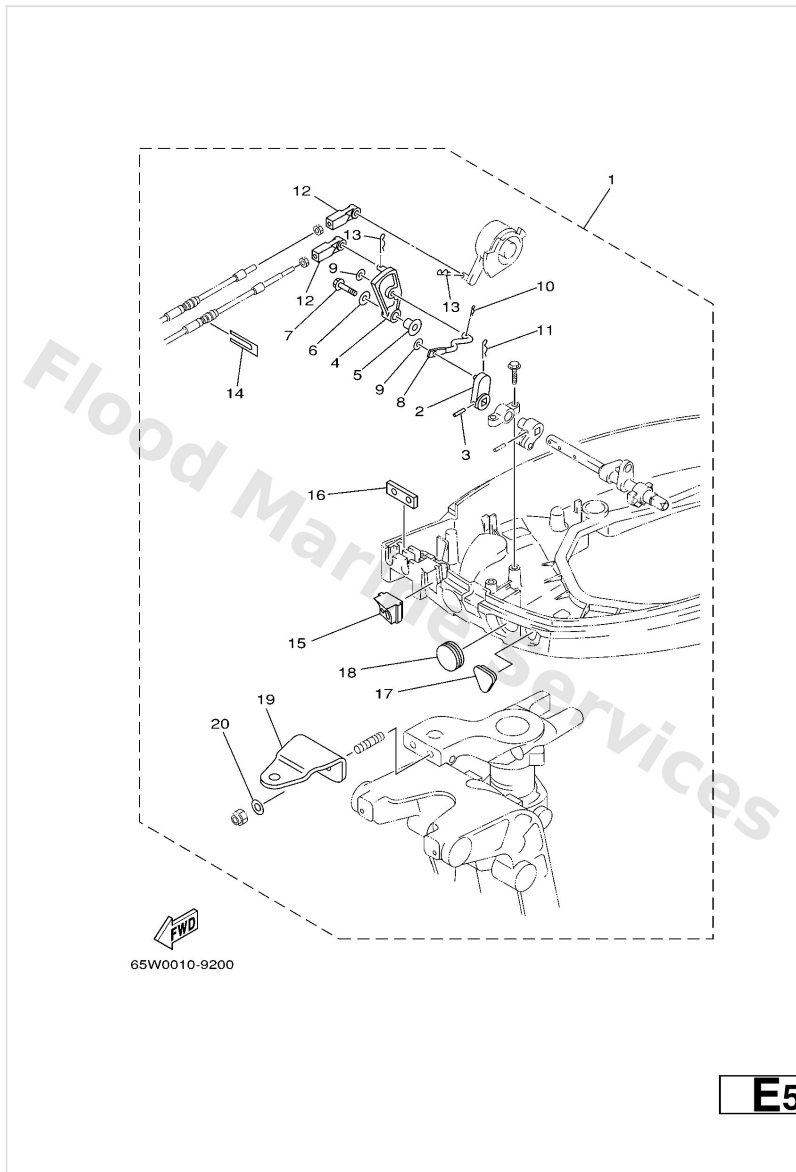
65W001082501

**F6**

Ref	Part	
62	<a href="#">62X4387800</a> Bolt, socket	<a href="#">Buy now</a>
63	<a href="#">9321010M74</a> O-ring	<a href="#">Buy now</a>
65	<a href="#">6T44380800</a> Seat valve comp. 1	<a href="#">Buy now</a>

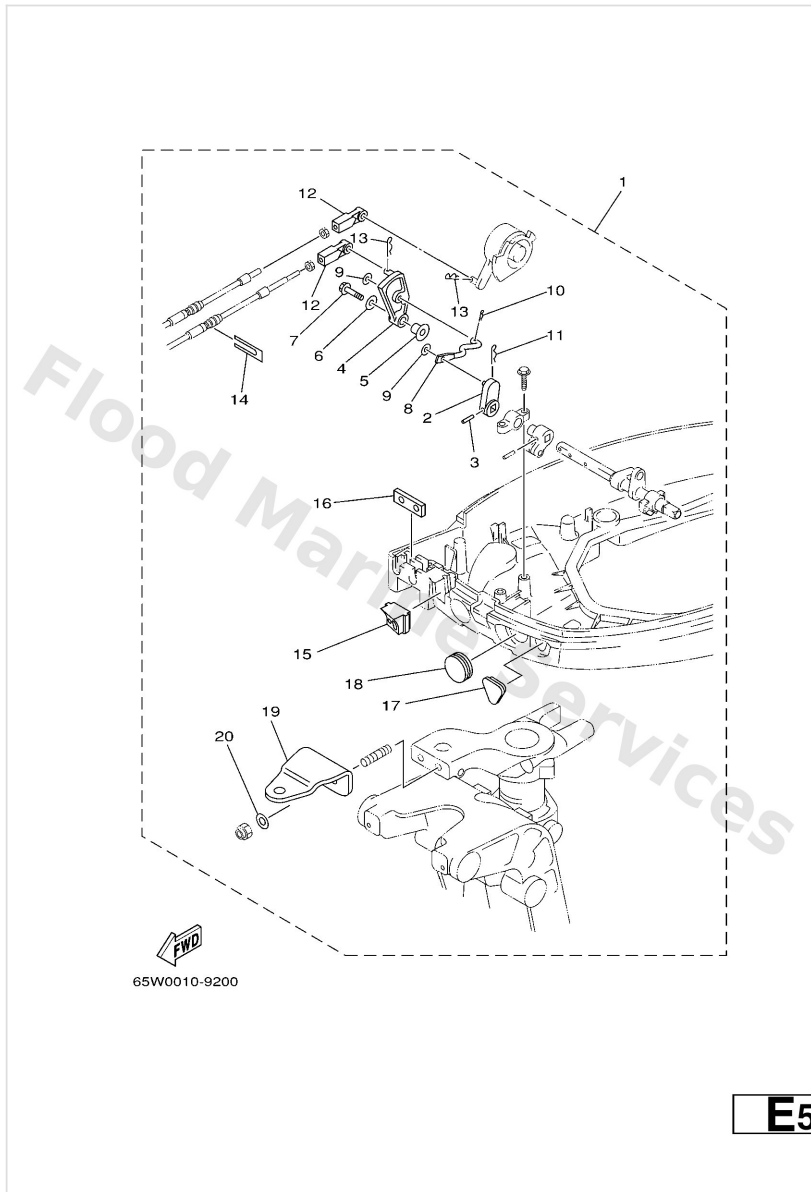


# Remo Con Attachment



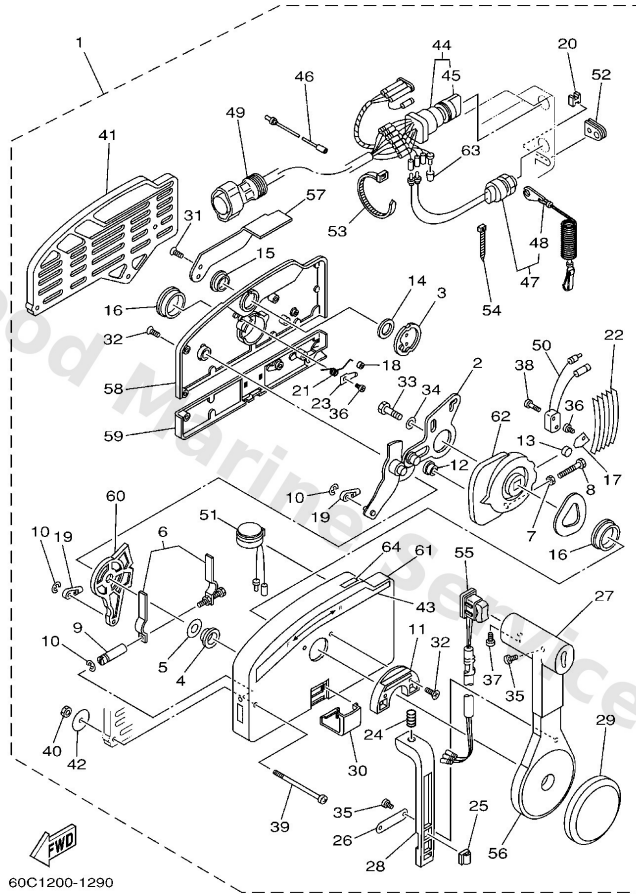
Ref	Part	
1	<a href="#">65W4850100</a> Remote cont. attachment assembly. AP	<a href="#">Buy now</a>
2	<a href="#">65W4414200</a> Joint	<a href="#">Buy now</a>
3	<a href="#">9025403M05</a> Pin, spring	<a href="#">Buy now</a>
4	<a href="#">65W4412500</a> Lever, shift rod	<a href="#">Buy now</a>
5	<a href="#">9038706M29</a> Coller (6a0)	<a href="#">Buy now</a>
6	<a href="#">9020106M31</a> Washer (6a0)	<a href="#">Buy now</a>
7	<a href="#">9759506525</a> Bolt, hexagon w/w deep recess	<a href="#">Buy now</a>
8	<a href="#">65W4419200</a> Joint, rod 1	<a href="#">Buy now</a>
9	<a href="#">9020105M06</a> Washer, plate(61u)	<a href="#">Buy now</a>
10	<a href="#">9046810005</a> Pin, hair 6264123500	<a href="#">Buy now</a>
11	<a href="#">9046818008</a> Clip 620436610000	<a href="#">Buy now</a>
12	<a href="#">6634834400</a> Cable end, remote control	<a href="#">Buy now</a>
14	<a href="#">6H34853800</a> Clamp, cable	<a href="#">Buy now</a>
15	<a href="#">65W4272521</a> Grommet	<a href="#">Buy now</a>
16	<a href="#">62Y4272700</a> Grommet	<a href="#">Buy now</a>

# Remo Con Attachment



Ref	Part	
17	<a href="#">65W2632610</a> Grommet	<a href="#">Buy now</a>
18	<a href="#">65W4272610</a> Grommet	<a href="#">Buy now</a>
19	<a href="#">65W4851100</a> Hook, steering	<a href="#">Buy now</a>
20	<a href="#">9020110120</a> Washer, plate	<a href="#">Buy now</a>

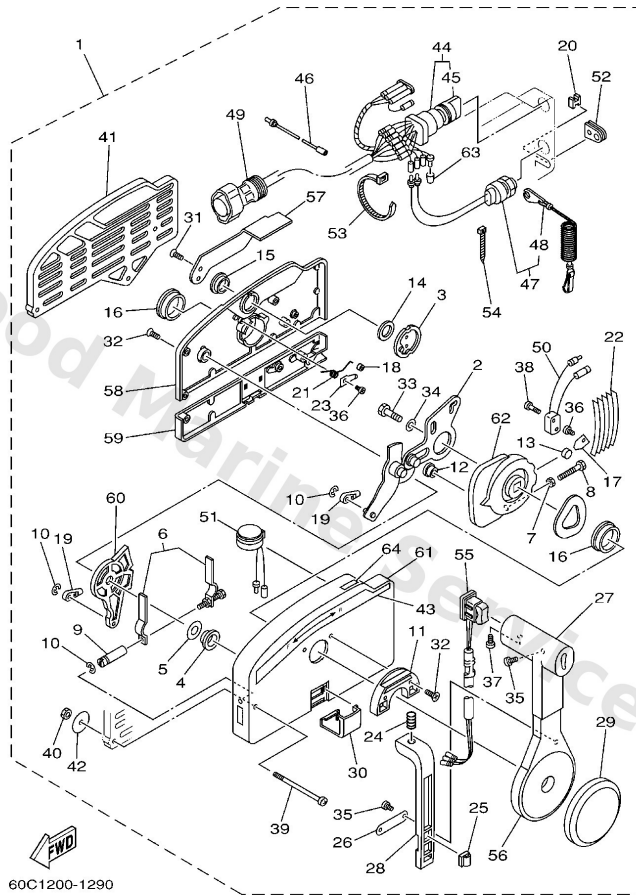
# Remote Control Assy



**B7**

Ref	Part	
1	<a href="#">70348203A2</a> Remote control assembly (7p) AP	<a href="#">Buy now</a>
1	<a href="#">70348205A4</a> Remote control assembly (10p, ptt) AP WITH PT/T SW.	<a href="#">Buy now</a>
2	<a href="#">7034826101</a> Arm, throttle	<a href="#">Buy now</a>
3	<a href="#">7034815300</a> Shaft, free accel.	<a href="#">Buy now</a>
4	<a href="#">7034823500</a> Bushing	<a href="#">Buy now</a>
5	<a href="#">7034826800</a> Spacer 3	<a href="#">Buy now</a>
6	<a href="#">7034826400</a> Throttle, friction	<a href="#">Buy now</a>
7	<a href="#">9538005600</a> Nut, hexagon (663)	<a href="#">Buy now</a>
8	<a href="#">9738005025</a> Bolt	<a href="#">Buy now</a>
9	<a href="#">7034826500</a> Shaft Friction	<a href="#">Buy now</a>
10	<a href="#">9343006024</a> Circlip (701)	<a href="#">Buy now</a>
11	<a href="#">7034824500</a> Plate, lock	<a href="#">Buy now</a>
12	<a href="#">7034825200</a> Roller, cam	<a href="#">Buy now</a>
13	<a href="#">7014824800</a> Roller, free accel	<a href="#">Buy now</a>
14	<a href="#">7034819800</a> Washer, wave 3	<a href="#">Buy now</a>

# Remote Control Assy

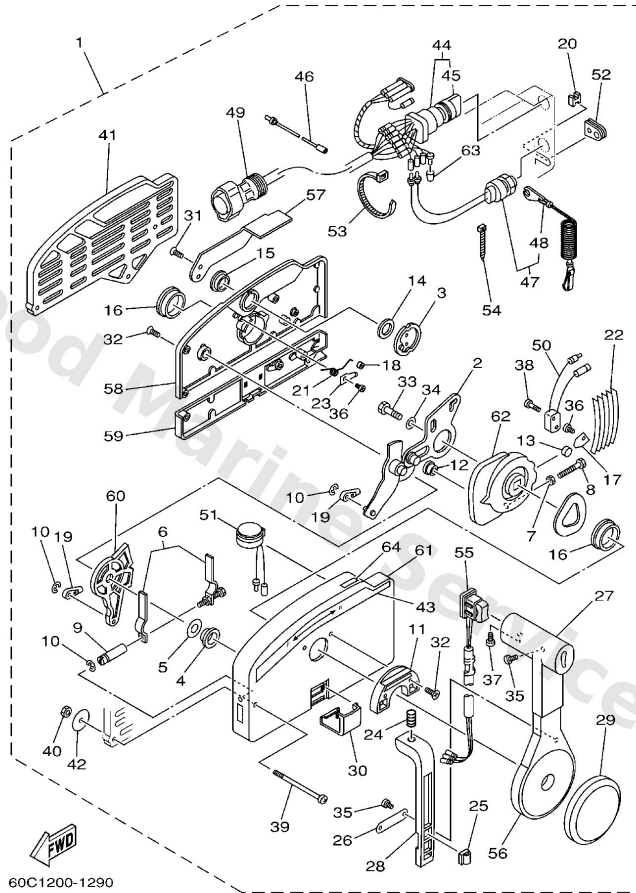


60C1200-1290

**B7**

Ref	Part	
15	<a href="#">7034824300</a> Bushing 3	<a href="#">Buy now</a>
16	<a href="#">7034823600</a> Bushing	<a href="#">Buy now</a>
17	<a href="#">7034818900</a> Retainer	<a href="#">Buy now</a>
18	<a href="#">7034823400</a> Roller, detent	<a href="#">Buy now</a>
19	<a href="#">7034834501</a> Cable end, remote control 2	<a href="#">Buy now</a>
20	<a href="#">7034835800</a> Anchor, cable	<a href="#">Buy now</a>
21	<a href="#">7034824400</a> Spring, free accel.	<a href="#">Buy now</a>
22	<a href="#">7034823800</a> Spring, detent	<a href="#">Buy now</a>
23	<a href="#">7034824600</a> Spacer 1	<a href="#">Buy now</a>
24	<a href="#">7034822700</a> Spring, neutral lock	<a href="#">Buy now</a>
25	<a href="#">7038259400</a> Clamp WITH PT/T SW.	<a href="#">Buy now</a>
26	<a href="#">7034822600</a> Plate, stopper	<a href="#">Buy now</a>
27	<a href="#">7034822200</a> Grip, control lever SINGLE	<a href="#">Buy now</a>
28	<a href="#">7034822300</a> Lock, neutral	<a href="#">Buy now</a>
29	<a href="#">7034822500</a> Cover	<a href="#">Buy now</a>

# Remote Control Assy

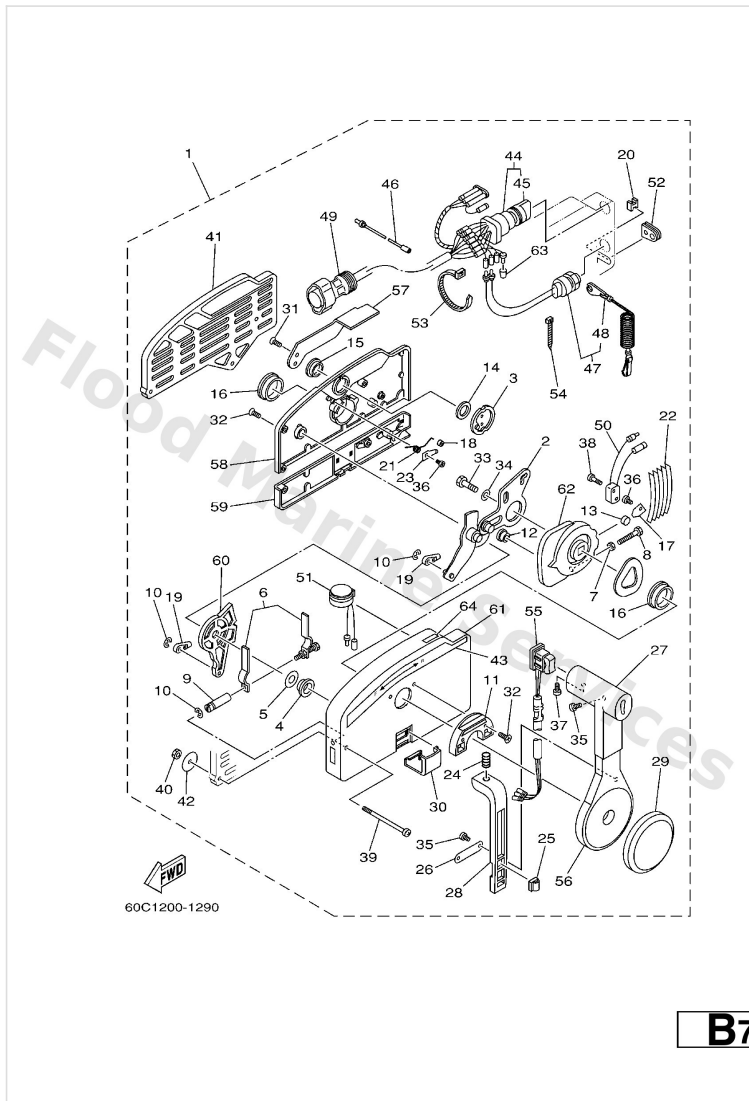


60C1200-1290

**B7**

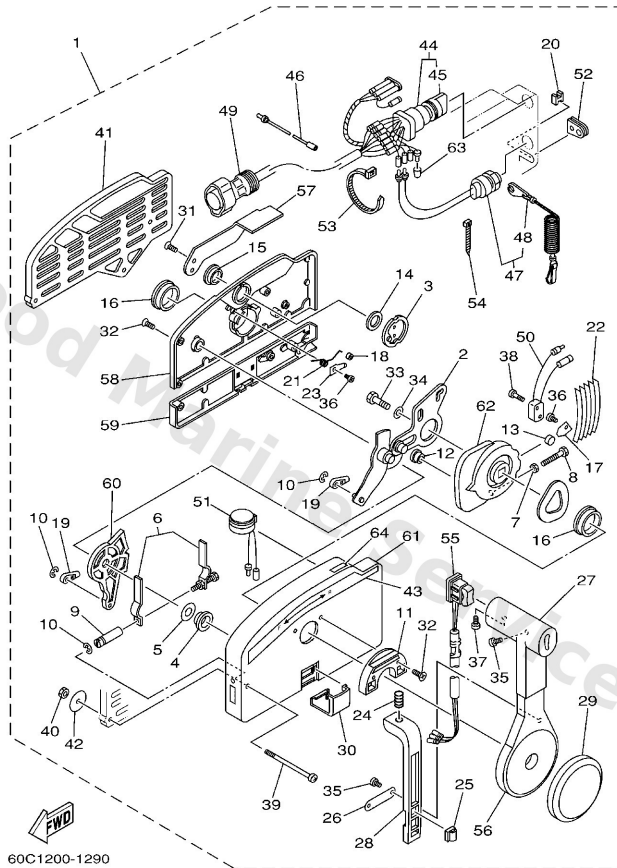
Ref	Part	
30	<a href="#">7034821900</a> Cover, lead	<a href="#">Buy now</a>
31	<a href="#">7034828100</a> Screw, flat head	<a href="#">Buy now</a>
32	<a href="#">7034828200</a> Screw	<a href="#">Buy now</a>
33	<a href="#">9738008030</a> Bolt, hexagon (fj1)	<a href="#">Buy now</a>
34	<a href="#">9299008600</a> Washer, plain (663)	<a href="#">Buy now</a>
35	<a href="#">9858004010</a> Screw, pan head (e56)	<a href="#">Buy now</a>
36	<a href="#">9858004006</a> Screw, pan head (7h3)	<a href="#">Buy now</a>
37	<a href="#">9858005010</a> Screw, pan head(62x)	<a href="#">Buy now</a>
38	<a href="#">9858003015</a> Screw, pan head (n151)	<a href="#">Buy now</a>
39	<a href="#">7034829110</a> Screw	<a href="#">Buy now</a>
40	<a href="#">9538006600</a> Nut(661)	<a href="#">Buy now</a>
41	<a href="#">7034829310</a> Spacer, remote control <b>SINGLE</b>	<a href="#">Buy now</a>
42	<a href="#">7014828700</a> Washer 1	<a href="#">Buy now</a>
43	<a href="#">7034821500</a> Graphic	<a href="#">Buy now</a>
44	<a href="#">7038251003</a> Main switch assembly <b>FOR 703-48203-A2</b>	<a href="#">Buy now</a>

# Remote Control Assy



Ref	Part	
44	<a href="#">7038251012</a> Main switch assembly PRIME START	<a href="#">Buy now</a>
45	<a href="#">6768257700</a> Cap, key	<a href="#">Buy now</a>
46	<a href="#">7038253100</a> Wire, lead	<a href="#">Buy now</a>
47	<a href="#">6888257501</a> Engine stop switch assembly	<a href="#">Buy now</a>
48	<a href="#">6828256600</a> Lanyard, stop switch	<a href="#">Buy now</a>
49	<a href="#">6888258621</a> Extension, wire harness L)5M (7P)	<a href="#">Buy now</a>
49	<a href="#">6888258A20</a> 10p main harness mec 2m (6ft) L)5M (10P)	<a href="#">Buy now</a>
50	<a href="#">7038254000</a> Neutral switch assembly	<a href="#">Buy now</a>
51	<a href="#">70383383A0</a> Buzzer	<a href="#">Buy now</a>
52	<a href="#">7034828400</a> Grommet	<a href="#">Buy now</a>
53	<a href="#">7038259100</a> Band	<a href="#">Buy now</a>
54	<a href="#">7038259200</a> Band	<a href="#">Buy now</a>
55	<a href="#">7034822400</a> Cover, control lever WITHOUT PT/T SW.	<a href="#">Buy now</a>
55	<a href="#">7038256302</a> Trim & tilt switch assembly WITH PT/T SW.	<a href="#">Buy now</a>
56	<a href="#">7034822100</a> Grip	<a href="#">Buy now</a>

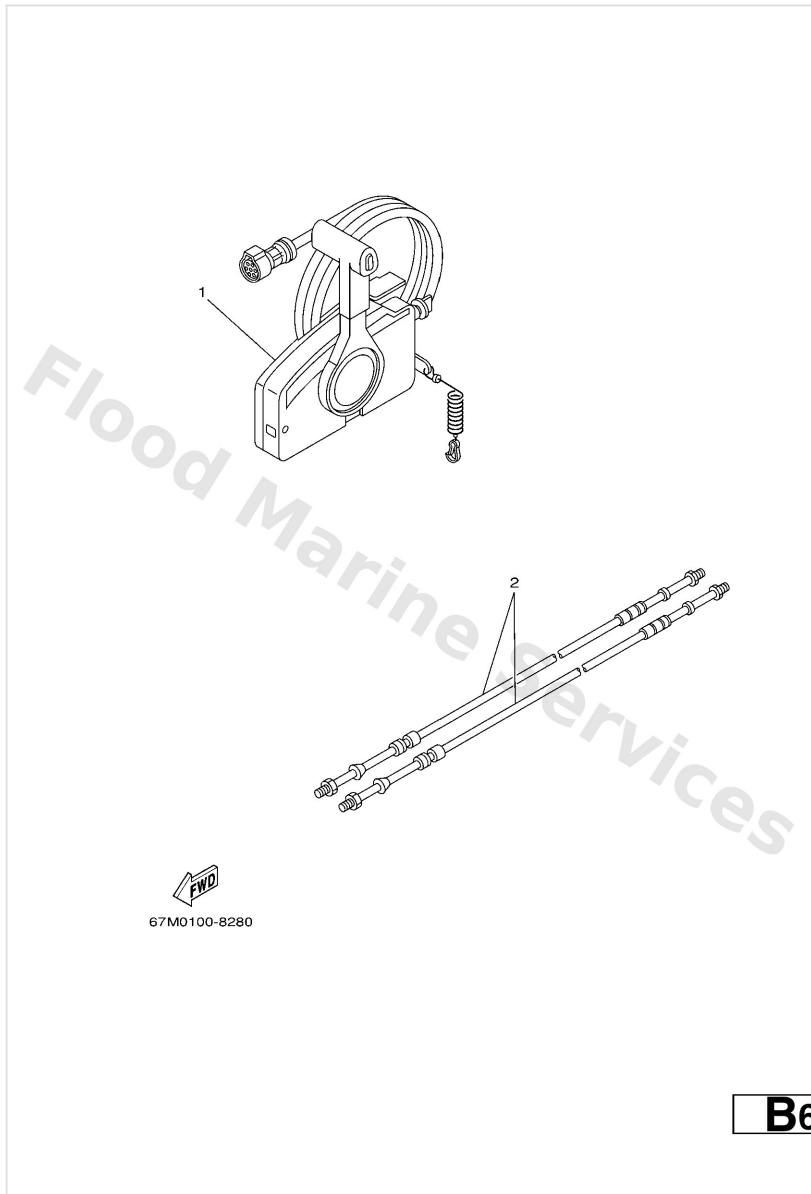
# Remote Control Assy



**B7**

Ref	Part	
57	<a href="#">7034815200</a> Knob, free accel	<a href="#">Buy now</a>
58	<a href="#">7034821200</a> Rear housing	<a href="#">Buy now</a>
59	<a href="#">7034821300</a> Back, panel	<a href="#">Buy now</a>
60	<a href="#">7034827100</a> Arm, shift	<a href="#">Buy now</a>
61	<a href="#">7034821101</a> Housing,1	<a href="#">Buy now</a>
62	<a href="#">7034823200</a> Drive gear	<a href="#">Buy now</a>
63	<a href="#">7038254200</a> Cap	<a href="#">Buy now</a>
64	<a href="#">7034821800</a> Graphic	<a href="#">Buy now</a>

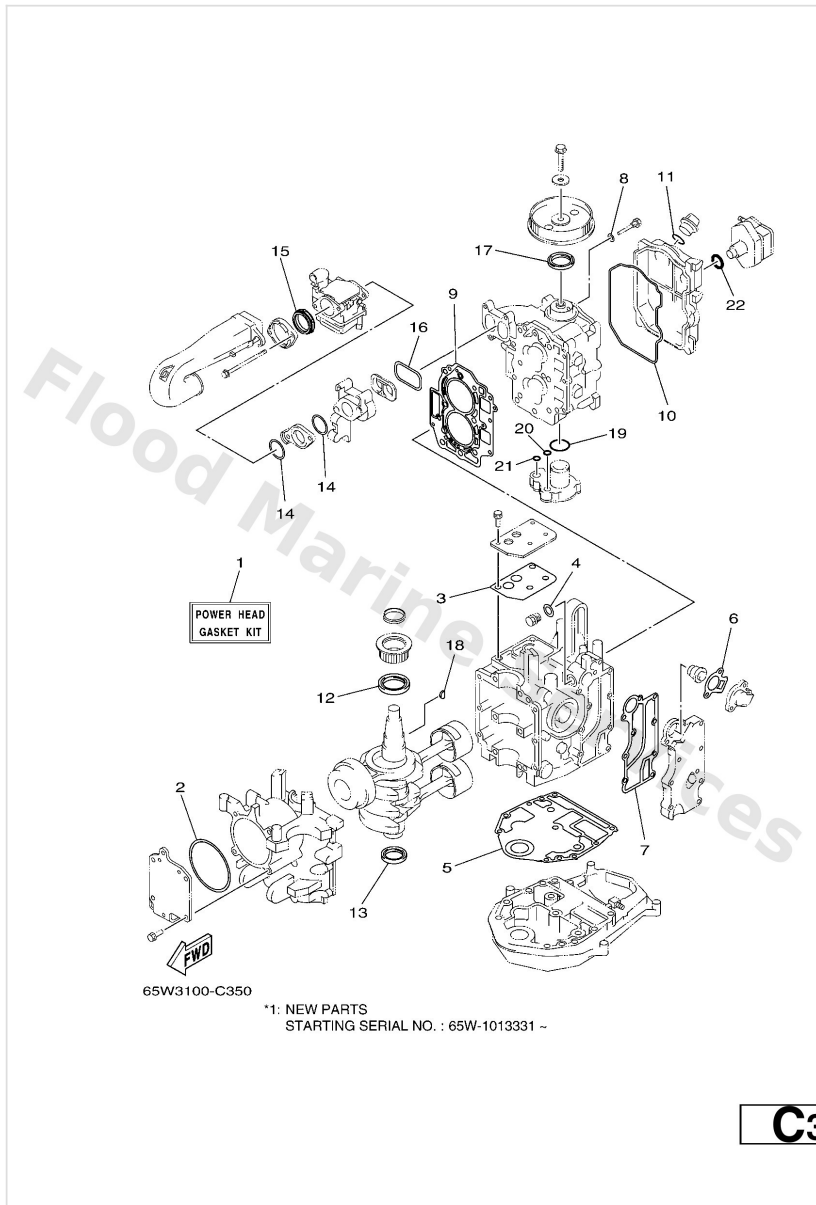
# Remote Control Box



Ref	Part	
1	<a href="#">70348203A2</a> Remote control assembly (7p) AP	<a href="#">Buy now</a>
1	<a href="#">70348205A4</a> Remote control assembly (10p, ptt) AP WITH PT/T SW.	<a href="#">Buy now</a>
2	<a href="#">7014831090</a> Cable, Remote Control L=11F UR	<a href="#">Buy now</a>
2	<a href="#">7014832000</a> Cable, Remote Control L=12F UR	<a href="#">Buy now</a>
2	<a href="#">7014832020</a> Cable, Remote Control L=13F UR	<a href="#">Buy now</a>
2	<a href="#">7014832050</a> Cable, Remote Control L=15F UR	<a href="#">Buy now</a>

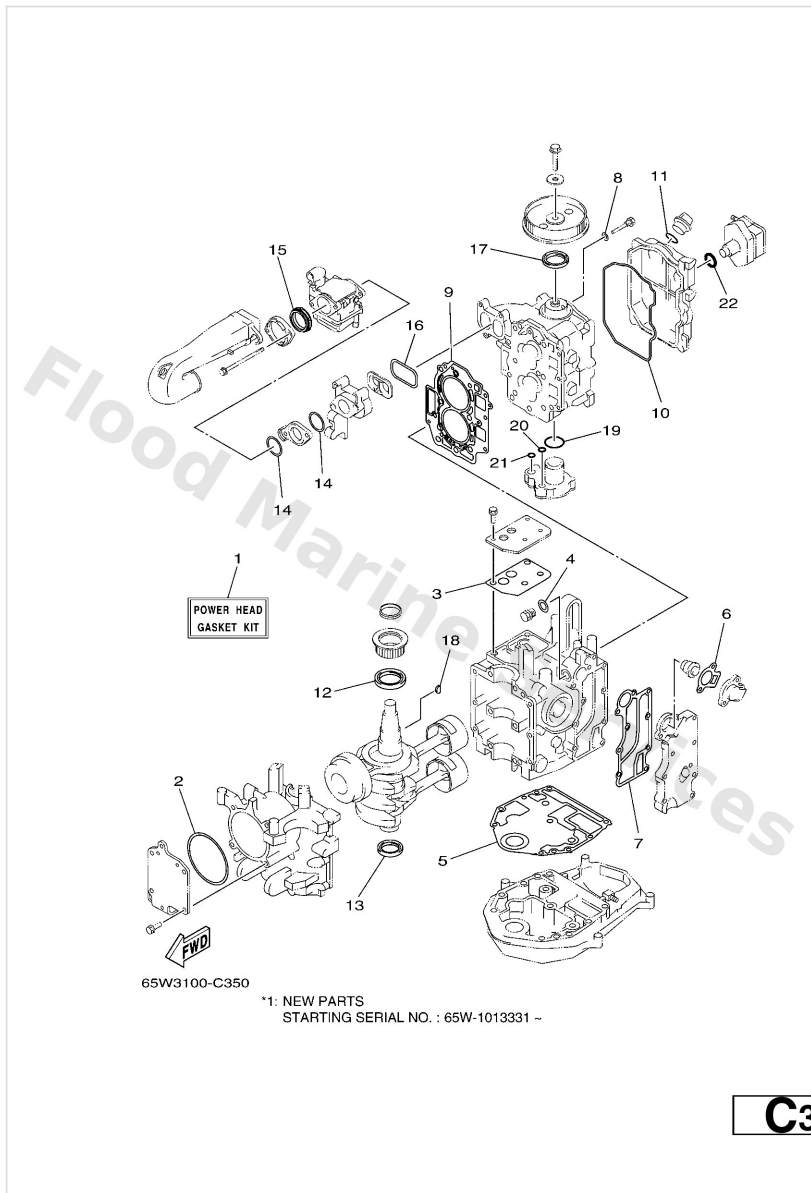


# Repair Kit 1



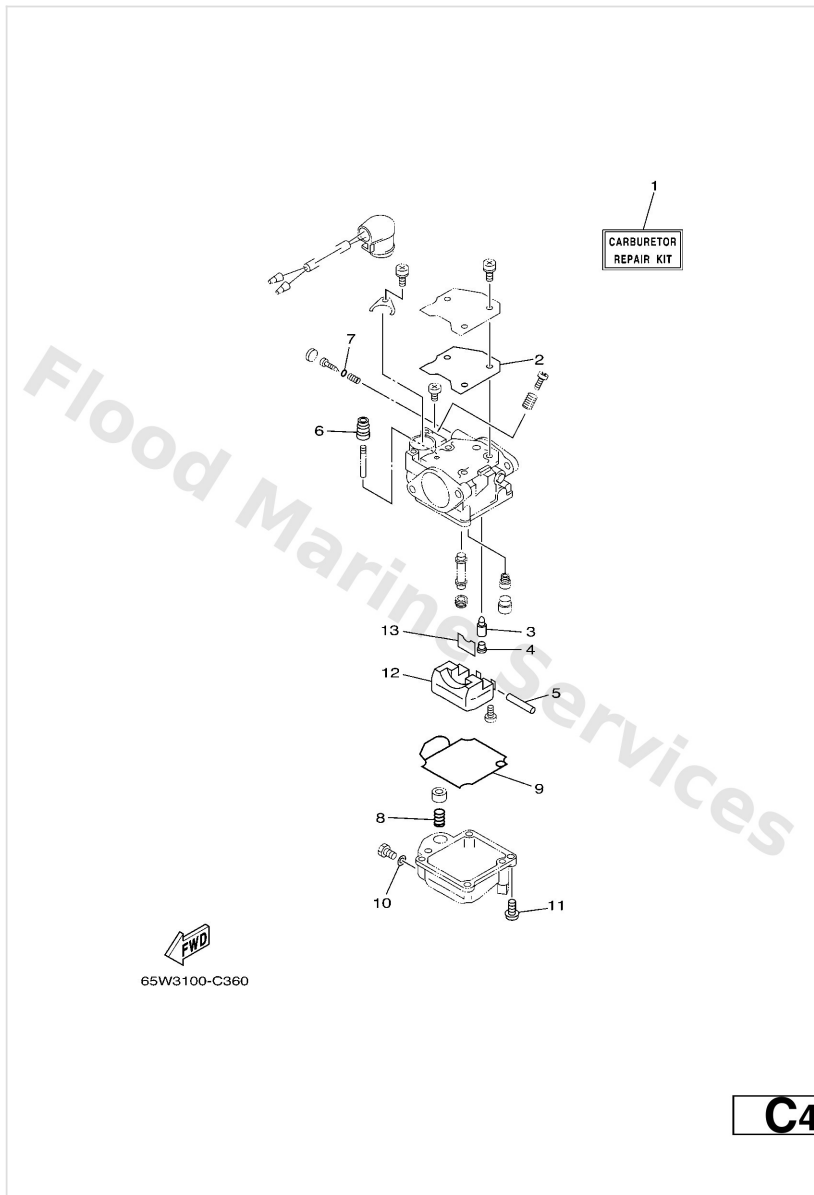
Ref	Part	
1	<a href="#">65WW000102</a> Power head gasket kit	<a href="#">Buy now</a>
1	<a href="#">6D5W000100</a> Power head gasket kit NEW PARTS *1	<a href="#">Buy now</a>
2	<a href="#">65W1566300</a> Seal	<a href="#">Buy now</a>
3	<a href="#">65W1116901</a> Gasket, breather cover	<a href="#">Buy now</a>
4	<a href="#">9043014115</a> Gasket (663)	<a href="#">Buy now</a>
5	<a href="#">65W1135110</a> Gasket, cylinder	<a href="#">Buy now</a>
6	<a href="#">62Y1241400</a> Gasket, cover	<a href="#">Buy now</a>
7	<a href="#">65W4111400</a> Gasket, exhaust outer cover	<a href="#">Buy now</a>
8	<a href="#">9043006014</a> Gasket 256113960000	<a href="#">Buy now</a>
9	<a href="#">65W1118120</a> Gasket, cylinder head 1	<a href="#">Buy now</a>
9	<a href="#">65W1118130</a> Gasket, cylinder head 1 NEW PARTS *1	<a href="#">Buy now</a>
10	<a href="#">65W1135600</a> Seal, cylinder 2	<a href="#">Buy now</a>
11	<a href="#">9321024M79</a> O-ring	<a href="#">Buy now</a>
12	<a href="#">9310243004</a> Oil seal NEW PARTS *1	<a href="#">Buy now</a>
12	<a href="#">9310243M42</a> Oil seal(62y)	<a href="#">Buy now</a>

# Repair Kit 1



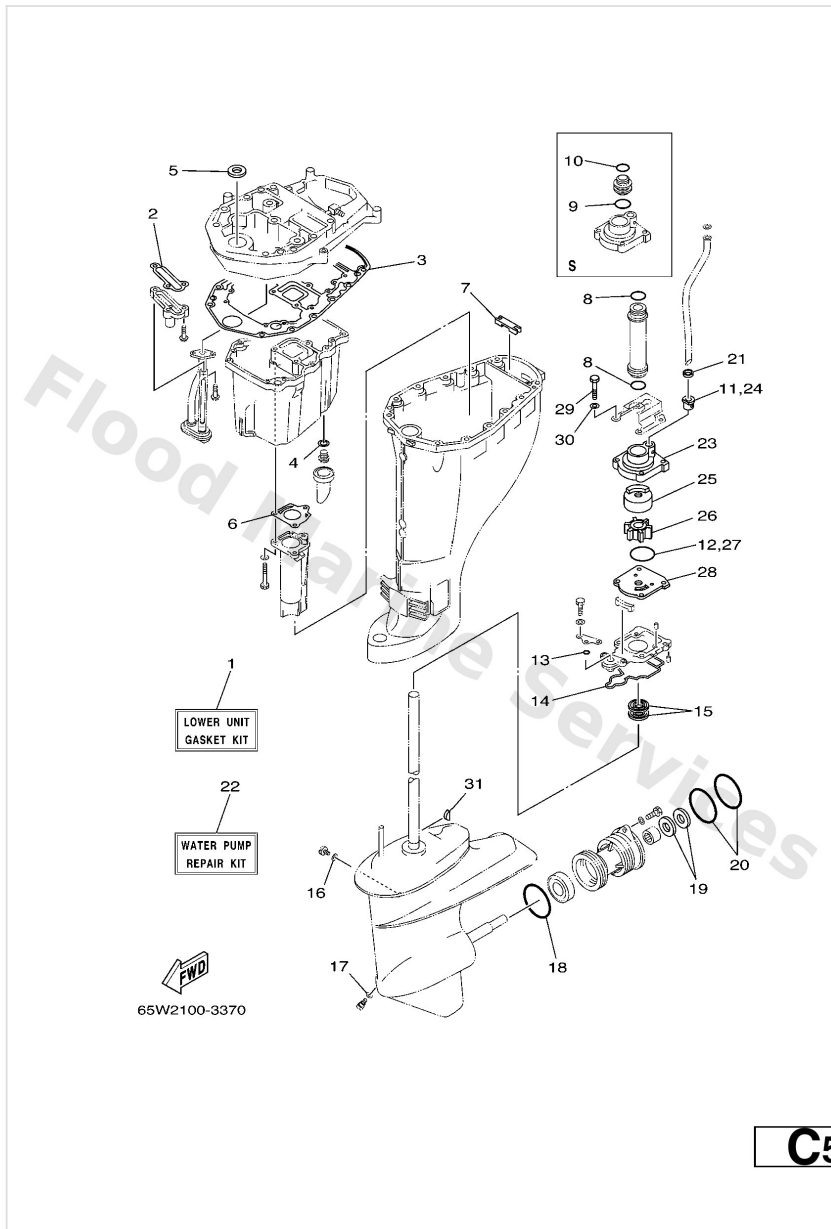
Ref	Part	
13	<a href="#">9310135002</a> Oil seal <b>NEW PARTS *1</b>	<a href="#">Buy now</a>
13	<a href="#">9310235M47</a> Oil seal(62y)	<a href="#">Buy now</a>
14	<a href="#">65W1419800</a> Gasket	<a href="#">Buy now</a>
15	<a href="#">65W1445710</a> Seal	<a href="#">Buy now</a>
16	<a href="#">65W1364500</a> Gasket, manifold 1	<a href="#">Buy now</a>
17	<a href="#">9310237M40</a> Oil seal(62y)	<a href="#">Buy now</a>
18	<a href="#">9028004M06</a> Key, woodruff(6a1)	<a href="#">Buy now</a>
19	<a href="#">9321033MH2</a> O-ring(62y)	<a href="#">Buy now</a>
20	<a href="#">9321012MG9</a> O-ring(62y)	<a href="#">Buy now</a>
21	<a href="#">9321014515</a> O-ring (11h)	<a href="#">Buy now</a>

# Repair Kit 2



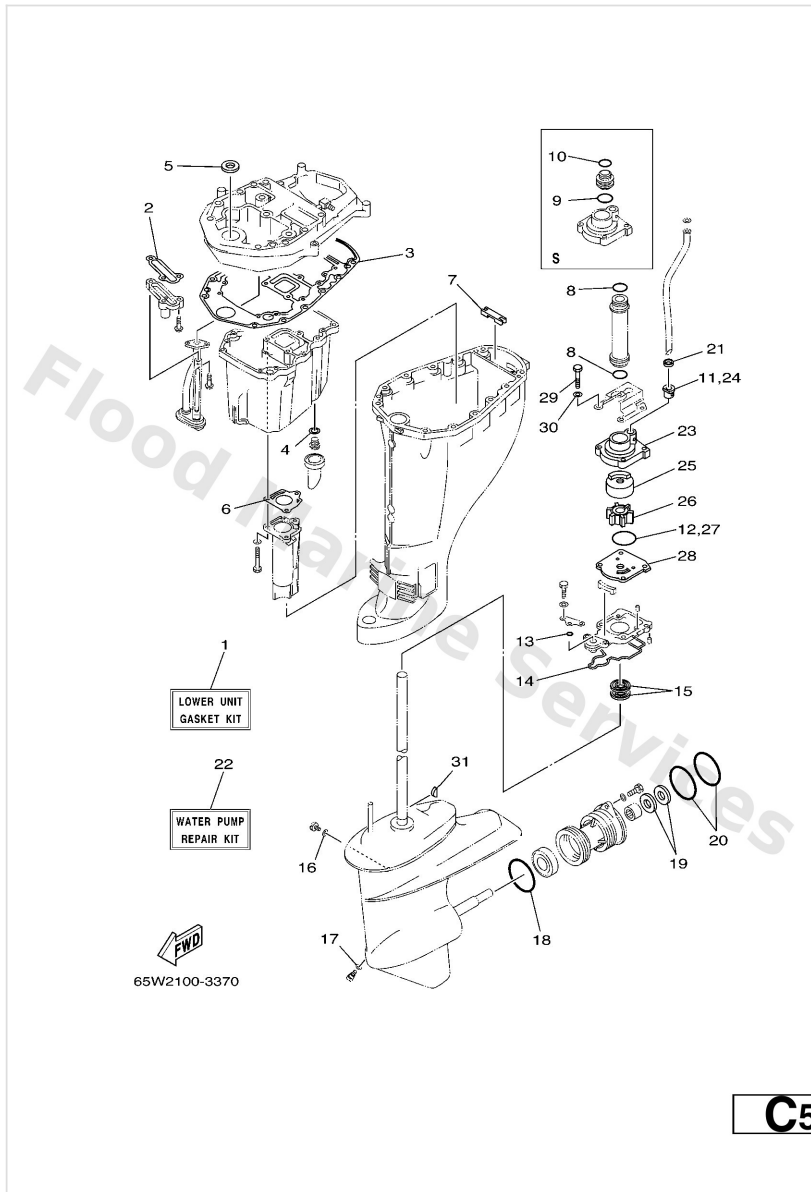
Ref	Part	
1	<a href="#">65WW009301</a> Carburetor repair kit	<a href="#">Buy now</a>
2	<a href="#">65W1412600</a> Gasket	<a href="#">Buy now</a>
3	<a href="#">6G11454601</a> Valve, needle	<a href="#">Buy now</a>
4	<a href="#">6761418600</a> Pin, valve	<a href="#">Buy now</a>
5	<a href="#">6H41454800</a> Pin, float arm	<a href="#">Buy now</a>
6	<a href="#">65W1437300</a> Cover, plunger cap	<a href="#">Buy now</a>
7	<a href="#">67C1439700</a> O-ring	<a href="#">Buy now</a>
8	<a href="#">65W1433500</a> Spring, plunger	<a href="#">Buy now</a>
9	<a href="#">65W1438400</a> Gasket, float chamber	<a href="#">Buy now</a>
10	<a href="#">65W1439800</a> Washer	<a href="#">Buy now</a>
11	<a href="#">9798004114</a> Screw, pan head(ga5)	<a href="#">Buy now</a>
12	<a href="#">63V1498500</a> Float	<a href="#">Buy now</a>
13	<a href="#">6631415900</a> Clip	<a href="#">Buy now</a>

# Repair Kit 3



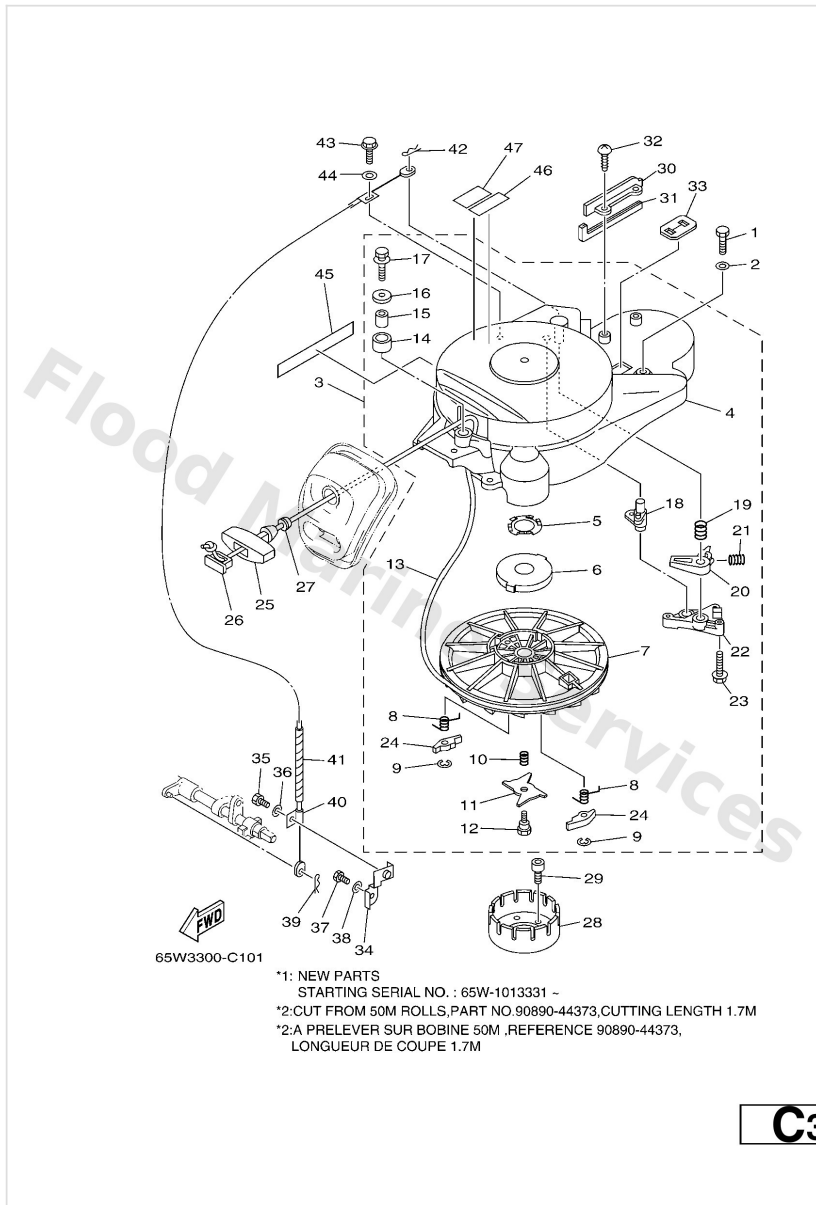
Ref	Part	
1	<a href="#">65WW000123</a> Lower unit gasket kit	<a href="#">Buy now</a>
2	<a href="#">62Y1347500</a> Gasket	<a href="#">Buy now</a>
3	<a href="#">69W1531200</a> Gasket, oil pan	<a href="#">Buy now</a>
4	<a href="#">9043014M09</a> Gasket	<a href="#">Buy now</a>
5	<a href="#">9311016004</a> Oil seal	<a href="#">Buy now</a>
6	<a href="#">67C4113300</a> Gasket, exhaust manifold 1	<a href="#">Buy now</a>
7	<a href="#">65W4512800</a> Seal 2	<a href="#">Buy now</a>
8	<a href="#">9321026130</a> O-ring L	<a href="#">Buy now</a>
10	<a href="#">9321022164</a> O-ring S	<a href="#">Buy now</a>
11	<a href="#">6L24436700</a> Damper, water seal 3	<a href="#">Buy now</a>
12	<a href="#">9321045161</a> O-ring	<a href="#">Buy now</a>
13	<a href="#">9321006ME6</a> O-ring	<a href="#">Buy now</a>
14	<a href="#">61N4531500</a> Packing, lower casing	<a href="#">Buy now</a>
15	<a href="#">9310122067</a> Oil seal (22x36x6-663)	<a href="#">Buy now</a>
16	<a href="#">9043008020</a> Gasket	<a href="#">Buy now</a>

# Repair Kit 3



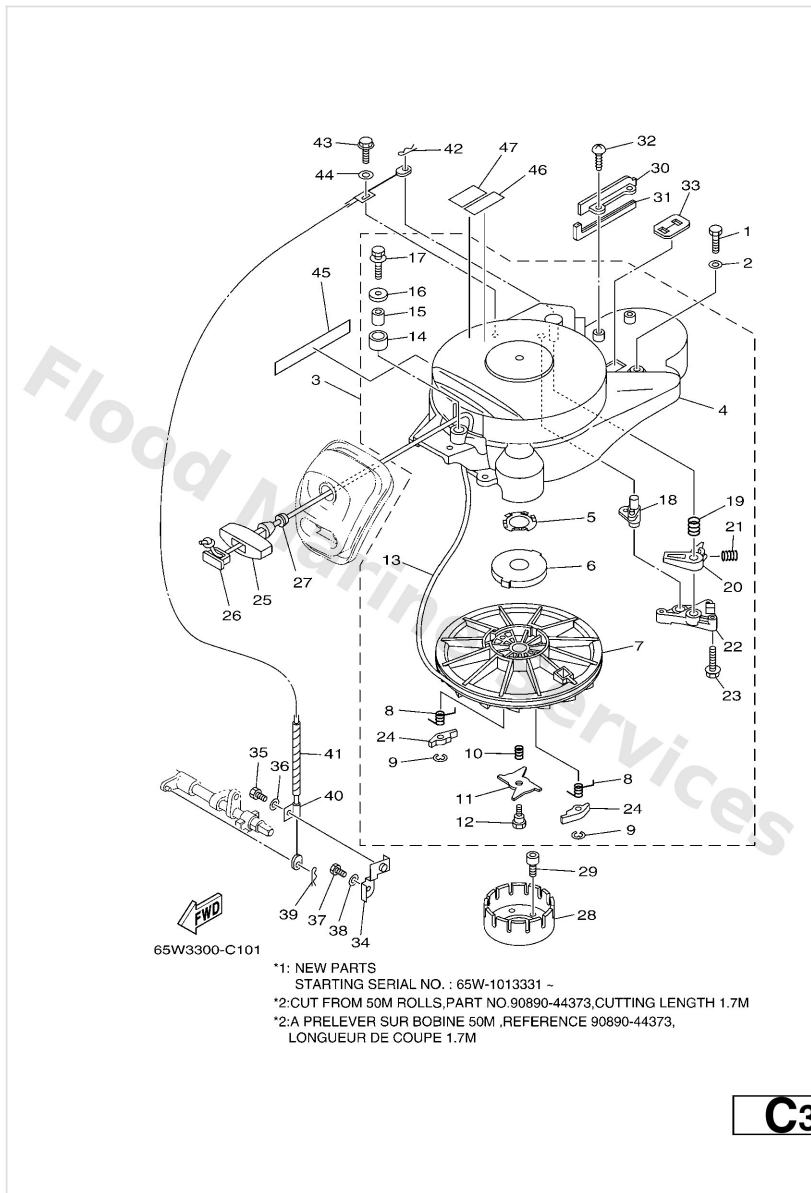
Ref	Part	
18	<a href="#">9321064ME7</a> O-ring	<a href="#">Buy now</a>
19	<a href="#">9310120M07</a> Oil seal	<a href="#">Buy now</a>
20	<a href="#">9321065M50</a> O-ring	<a href="#">Buy now</a>
21	<a href="#">9043010002</a> Gasket	<a href="#">Buy now</a>
22	<a href="#">61NW007811</a> Water pump repair kit	<a href="#">Buy now</a>
23	<a href="#">61N4431101</a> Housing, water pump	<a href="#">Buy now</a>
25	<a href="#">61N4432201</a> Insert, cartridge	<a href="#">Buy now</a>
26	<a href="#">6H44435202</a> Impeller	<a href="#">Buy now</a>
28	<a href="#">61N4432300</a> Outer plate, cartridge	<a href="#">Buy now</a>
29	<a href="#">9709506040</a> Bolt (682)	<a href="#">Buy now</a>
30	<a href="#">9299506600</a> Washer, plain (646)	<a href="#">Buy now</a>
31	<a href="#">9028003024</a> Key, woodruff(662)	<a href="#">Buy now</a>

# Starter



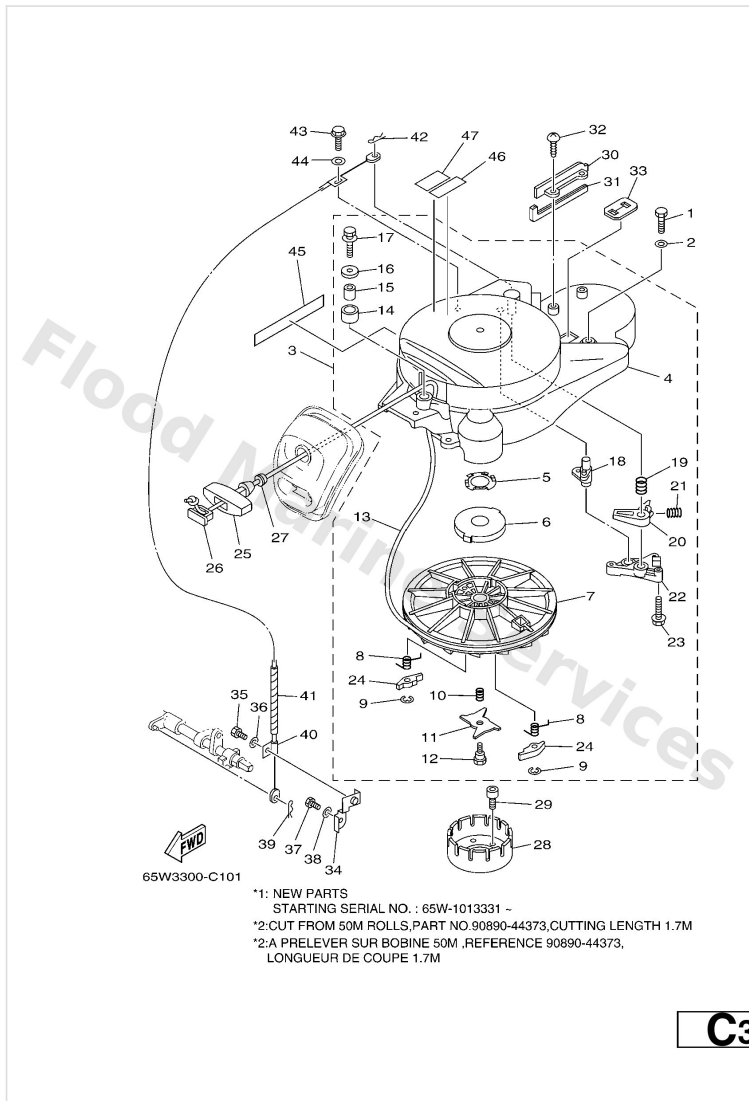
Ref	Part	
1	<a href="#">9709506025</a> Bolt	<a href="#">Buy now</a>
2	<a href="#">9299506600</a> Washer, plain (646)	<a href="#">Buy now</a>
3	<a href="#">65WW157101</a> Starter assembly	<a href="#">Buy now</a>
3	<a href="#">65WW157120</a> Starter assembly NEW PARTS *1	<a href="#">Buy now</a>
4	<a href="#">65W1571101</a> Case, Starter	<a href="#">Buy now</a>
4	<a href="#">65W1571120</a> Case, starter FOR 65W-W1571-20	<a href="#">Buy now</a>
5	<a href="#">65W1573200</a> Washer, wave 1	<a href="#">Buy now</a>
6	<a href="#">65W1571300</a> Spring, starter	<a href="#">Buy now</a>
7	<a href="#">65W1571401</a> Drum, sheave	<a href="#">Buy now</a>
8	<a href="#">65W1573400</a> Spring Return	<a href="#">Buy now</a>
9	<a href="#">65W1574400</a> Circlip	<a href="#">Buy now</a>
10	<a href="#">65W1571500</a> Spring, friction	<a href="#">Buy now</a>
11	<a href="#">65W1571600</a> Plate, drive	<a href="#">Buy now</a>
12	<a href="#">65W1579300</a> Screw	<a href="#">Buy now</a>
13	* item_description *2	<a href="#">Buy now</a>

# Starter



Ref	Part	
14	<a href="#">65W1575200</a> Roller Wire	<a href="#">Buy now</a>
15	<a href="#">65W1575300</a> Bush	<a href="#">Buy now</a>
16	<a href="#">65W1579100</a> Washer Lock	<a href="#">Buy now</a>
17	<a href="#">65W1548100</a> Bolt 1	<a href="#">Buy now</a>
18	<a href="#">65W1573501</a> Guide, cam	<a href="#">Buy now</a>
19	<a href="#">65W1576701</a> Spring	<a href="#">Buy now</a>
20	<a href="#">65W1579400</a> Stopper	<a href="#">Buy now</a>
21	<a href="#">65W1578400</a> Spring, return	<a href="#">Buy now</a>
22	<a href="#">65W1541400</a> Cover 1	<a href="#">Buy now</a>
23	<a href="#">65W1576800</a> Bolt	<a href="#">Buy now</a>
24	<a href="#">65W1574110</a> Pawl, drive	<a href="#">Buy now</a>
25	<a href="#">6891575501</a> Handle, starter	<a href="#">Buy now</a>
26	<a href="#">6F51577902</a> Cover	<a href="#">Buy now</a>
27	<a href="#">6A01578900</a> Damper	<a href="#">Buy now</a>
28	<a href="#">65W1572310</a> Pulley, starter	<a href="#">Buy now</a>

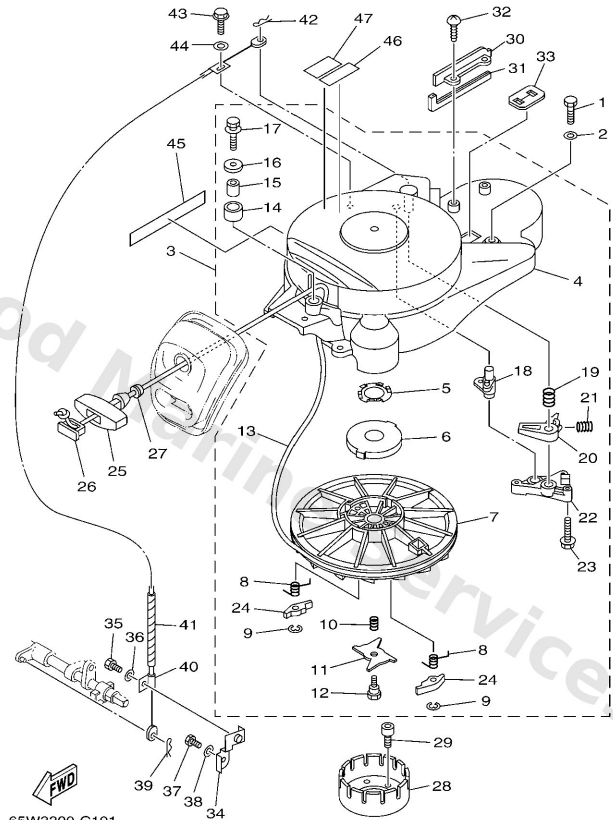
# Starter



Ref	Part	
29	<a href="#">9011008M03</a> Bolt, Hexagon Socket Head	<a href="#">Buy now</a>
30	<a href="#">65W1564500</a> Shim Kick Shaft OLD PARTS	<a href="#">Buy now</a>
31	<a href="#">65W1576100</a> Seal Rubber 1 OLD PARTS	<a href="#">Buy now</a>
32	<a href="#">9778060520</a> Screw, tapping(6k8) OLD PARTS	<a href="#">Buy now</a>
33	<a href="#">65W8163910</a> Cover	<a href="#">Buy now</a>
34	<a href="#">65W1577400</a> Stay 4	<a href="#">Buy now</a>
35	<a href="#">9709506012</a> Bolt(gh1)	<a href="#">Buy now</a>
39	<a href="#">9046818008</a> Clip 620436610000	<a href="#">Buy now</a>
40	<a href="#">65W1577000</a> Cable Comp., Starter Stop	<a href="#">Buy now</a>
40	<a href="#">65W1577020</a> Cable comp., starter stop NEW PARTS *1	<a href="#">Buy now</a>
41	<a href="#">9044606M90</a> Hose	<a href="#">Buy now</a>
42	<a href="#">9046810005</a> Pin, hair 6264123500	<a href="#">Buy now</a>
43	<a href="#">65W1548200</a> Bolt 2	<a href="#">Buy now</a>
43	<a href="#">65W1548220</a> Bolt 2 NEW PARTS *1	<a href="#">Buy now</a>
44	<a href="#">65W1572600</a> Washer, flat	<a href="#">Buy now</a>



# Starter



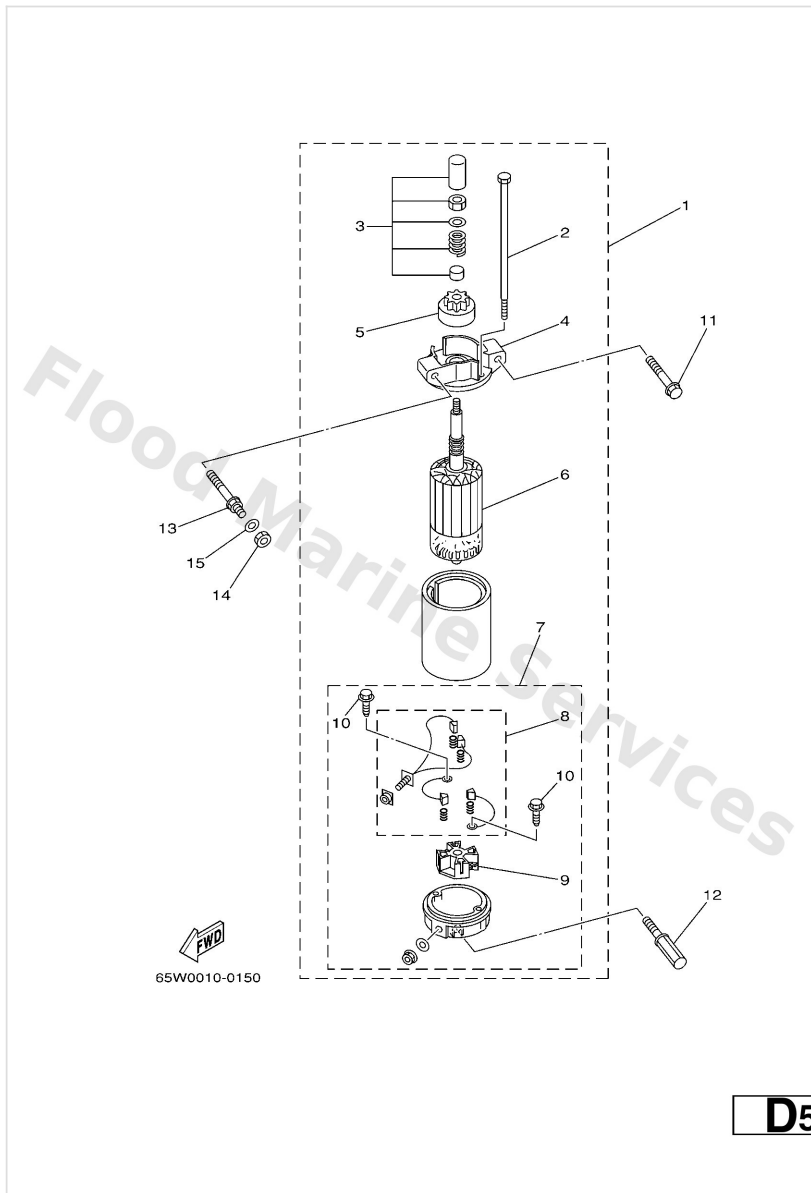
65W3300-C101

- \*1: NEW PARTS  
STARTING SERIAL NO. : 65W-1013331 ~
- \*2: CUT FROM 50M ROLLS. PART NO.90890-44373, CUTTING LENGTH 1.7M
- \*2:A PRELEVER SUR BOBINE 50M ,REFERENCE 90890-44373,  
LONGUEUR DE COUPE 1.7M

**C3**

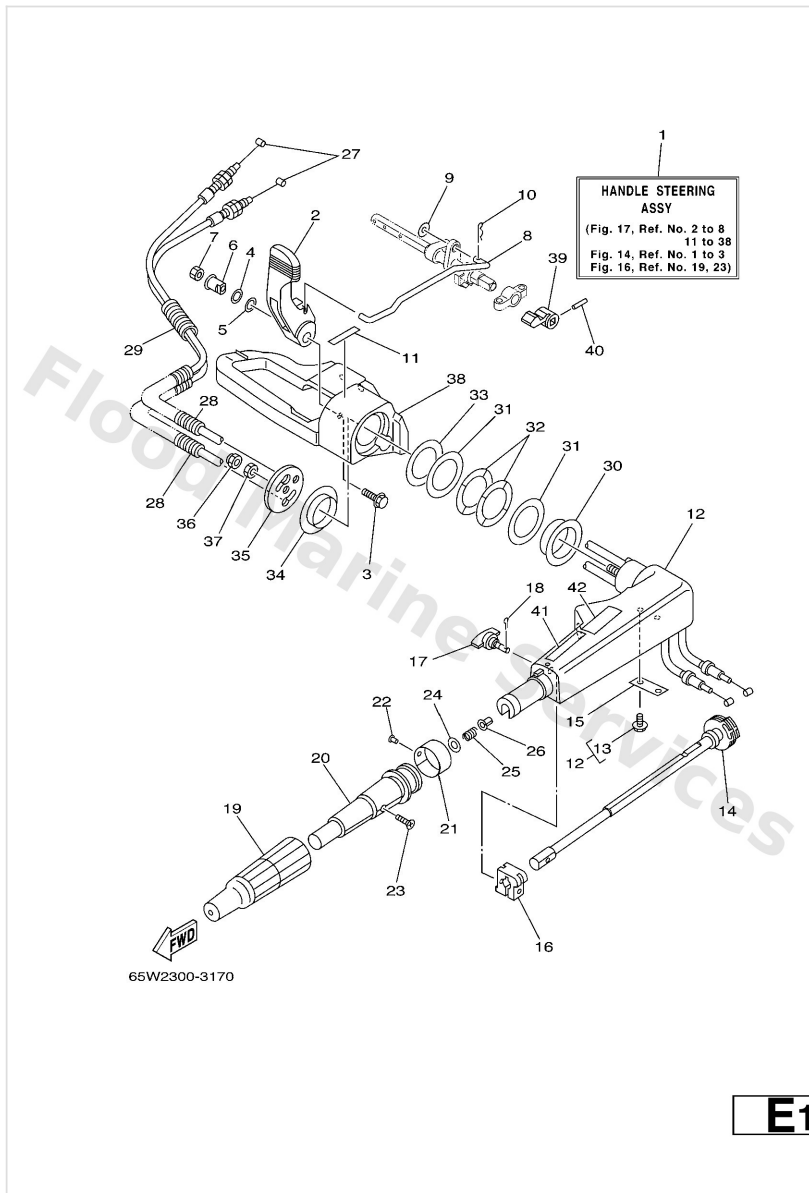
Ref	Part	
45	<a href="#">65W1343761</a> Mark, Caution	<a href="#">Buy now</a>
46	<a href="#">6A18362541</a> Mark 5	<a href="#">Buy now</a>
47	<a href="#">6A18362551</a> Mark 5	<a href="#">Buy now</a>

# Starting Motor



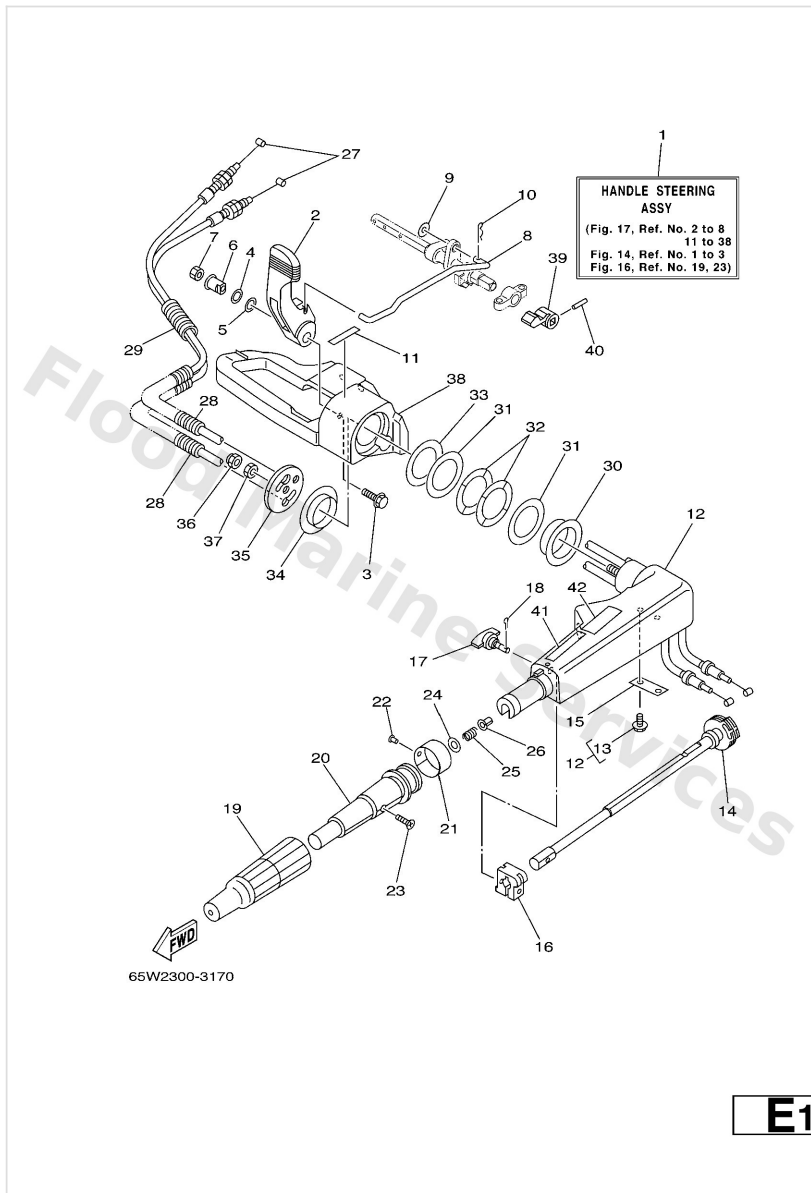
Ref	Part	
1	<a href="#">65W8180001</a> Starting motor assembly	<a href="#">Buy now</a>
2	<a href="#">65W8182600</a> Bolt	<a href="#">Buy now</a>
3	<a href="#">65W8185701</a> Retainer	<a href="#">Buy now</a>
4	<a href="#">65W8183000</a> Front Bracket assembly	<a href="#">Buy now</a>
5	<a href="#">65W8180700</a> Gear assembly, starting motor	<a href="#">Buy now</a>
6	<a href="#">65W8185001</a> Armature assembly	<a href="#">Buy now</a>
7	<a href="#">65W8182000</a> Rear bracket assembly	<a href="#">Buy now</a>
8	<a href="#">65W8180100</a> Brush set	<a href="#">Buy now</a>
9	<a href="#">65W8184000</a> Brush holder assembly	<a href="#">Buy now</a>
10	<a href="#">65W8182500</a> Screw	<a href="#">Buy now</a>
11	<a href="#">9011908M39</a> Bolt, with washer	<a href="#">Buy now</a>
12	<a href="#">9010908M77</a> Bolt	<a href="#">Buy now</a>
13	<a href="#">9010908M78</a> Bolt	<a href="#">Buy now</a>
14	<a href="#">9538008700</a> Nut(661)	<a href="#">Buy now</a>
15	<a href="#">9299008600</a> Washer, plain (663)	<a href="#">Buy now</a>

# Steering



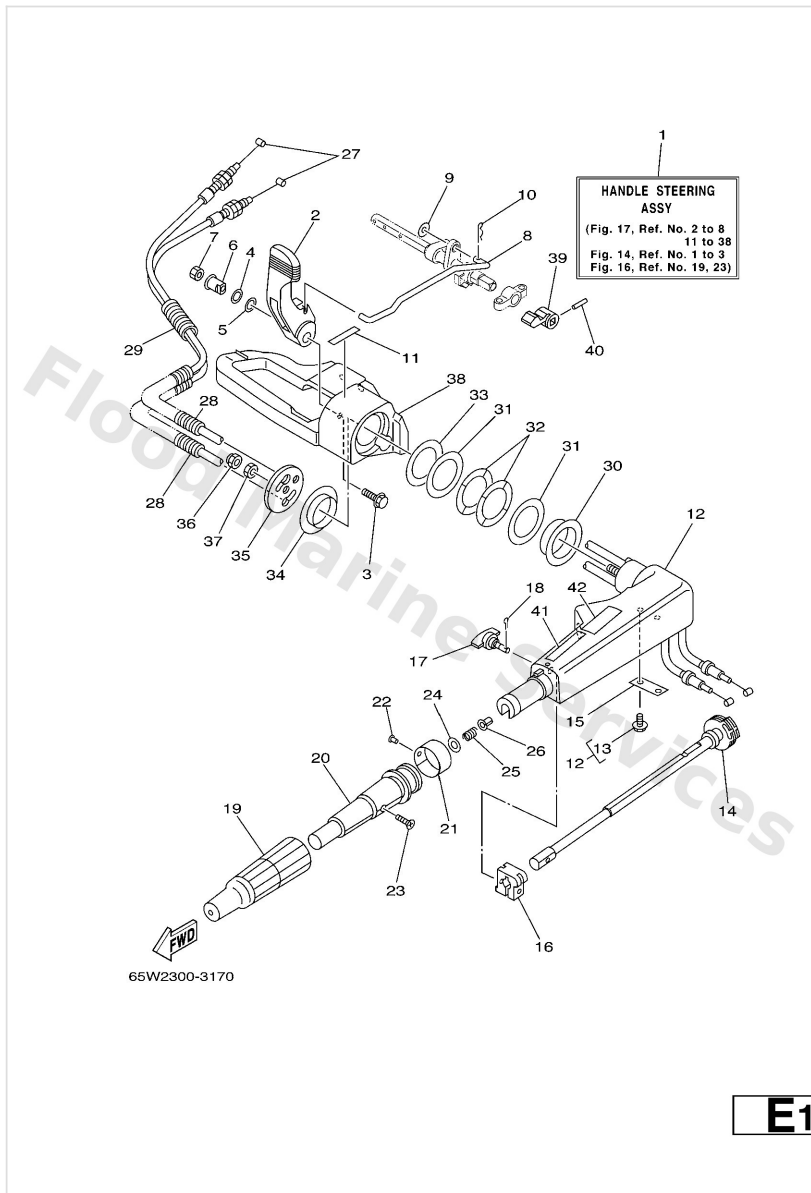
Ref	Part	
1	<a href="#">65WW0084014D</a> Handle steering assembly	<a href="#">Buy now</a>
2	<a href="#">65W4411100</a> Handle, gear shift	<a href="#">Buy now</a>
3	<a href="#">9011906M85</a> Bolt, with washer	<a href="#">Buy now</a>
4	<a href="#">9020612M00</a> Washer, wave (676)	<a href="#">Buy now</a>
5	<a href="#">9020112M07</a> Washer, plate	<a href="#">Buy now</a>
6	<a href="#">65W4212300</a> Bolt, handle joint	<a href="#">Buy now</a>
7	<a href="#">9538006600</a> Nut(661)	<a href="#">Buy now</a>
8	<a href="#">65W4412400</a> Link, shift rod	<a href="#">Buy now</a>
9	<a href="#">9299006200</a> Ybs66-6 washer, plain	<a href="#">Buy now</a>
10	<a href="#">9046818008</a> Clip 620436610000	<a href="#">Buy now</a>
11	<a href="#">6E04419111</a> Indicator, shift	<a href="#">Buy now</a>
12	<a href="#">65W42101014D</a> Handle, steering	<a href="#">Buy now</a>
13	<a href="#">9010906M86</a> Bolt	<a href="#">Buy now</a>
14	<a href="#">65W4213800</a> Lever, throttle	<a href="#">Buy now</a>
15	<a href="#">65W4215900</a> Stay	<a href="#">Buy now</a>

# Steering



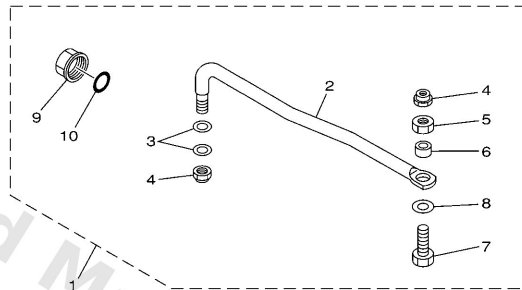
Ref	Part	
16	<a href="#">6G14212600</a> Piece, friction	<a href="#">Buy now</a>
17	<a href="#">65W4212500</a> Bolt, friction adjusting	<a href="#">Buy now</a>
18	<a href="#">9149016010</a> Pin, cotter	<a href="#">Buy now</a>
19	<a href="#">66M4217700</a> Rubber, handle	<a href="#">Buy now</a>
20	<a href="#">66M4211900</a> Grip, steering handle	<a href="#">Buy now</a>
21	<a href="#">6J04213700</a> Indicator, throttle	<a href="#">Buy now</a>
22	<a href="#">9026902M09</a> Rivet(6I5)	<a href="#">Buy now</a>
23	<a href="#">9014905M13</a> Screw, countersunk	<a href="#">Buy now</a>
24	<a href="#">9290310600</a> Washer, plate	<a href="#">Buy now</a>
25	<a href="#">9050123215</a> Spring (655)	<a href="#">Buy now</a>
26	<a href="#">9038608032</a> Bushing (650)	<a href="#">Buy now</a>
27	<a href="#">65W2631100</a> Cable, throttle 1	<a href="#">Buy now</a>
28	<a href="#">9044610M86</a> Hose	<a href="#">Buy now</a>
29	<a href="#">9044614M88</a> Hose	<a href="#">Buy now</a>
30	<a href="#">9038640MA0</a> Bushing	<a href="#">Buy now</a>

# Steering



Ref	Part	
31	<a href="#">9020143M00</a> Washer, plate	<a href="#">Buy now</a>
32	<a href="#">9020643M22</a> Washer, wave	<a href="#">Buy now</a>
33	<a href="#">9020243M57</a> Washer, plate	<a href="#">Buy now</a>
34	<a href="#">9038640M99</a> Bush	<a href="#">Buy now</a>
35	<a href="#">65W4213101</a> Cover, handle steering	<a href="#">Buy now</a>
36	<a href="#">9578010300</a> Nut, nylon (6e5)	<a href="#">Buy now</a>
37	<a href="#">9538010700</a> Nut (682)	<a href="#">Buy now</a>
38	<a href="#">65W42121014D</a> Bracket	<a href="#">Buy now</a>
39	<a href="#">65W4417300</a> Lever, shift control	<a href="#">Buy now</a>
40	<a href="#">9025403M05</a> Pin, spring	<a href="#">Buy now</a>
41	<a href="#">6E08362741</a> Label, caution 7	<a href="#">Buy now</a>
42	<a href="#">6E08362751</a> -	<a href="#">Buy now</a>

# Steering Guide

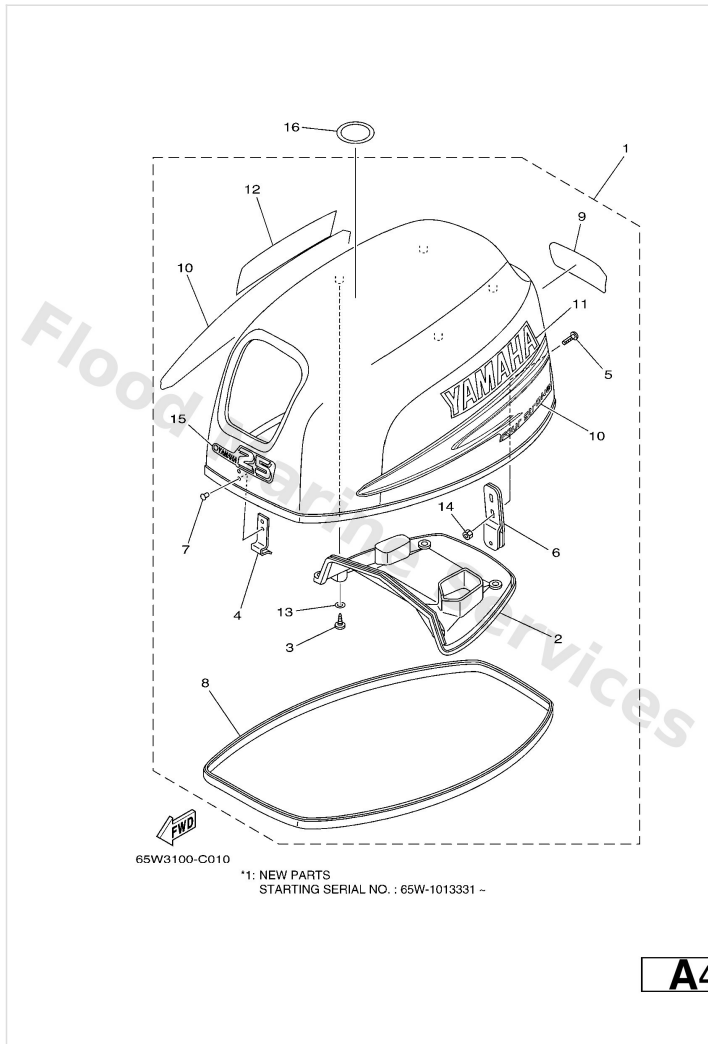


65W0010-8210

**B5**

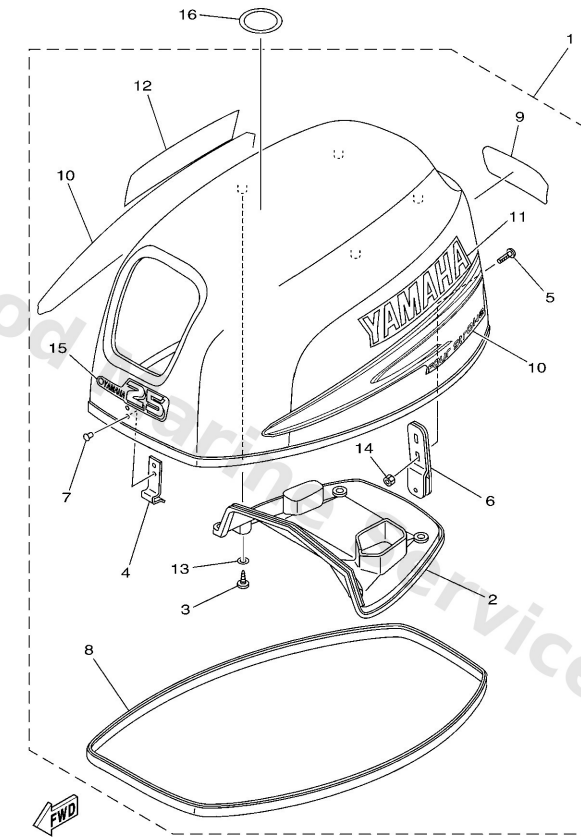
Ref	Part	
1	<a href="#">65W6135000</a> Steering guide attachment kit AP	<a href="#">Buy now</a>
2	<a href="#">65W6135100</a> Rod, steering link	<a href="#">Buy now</a>
3	<a href="#">9020110M20</a> Washer, plate (663)	<a href="#">Buy now</a>
4	<a href="#">9018509M01</a> Nut, nylon (663)	<a href="#">Buy now</a>
5	<a href="#">9017009M03</a> Nut (689)	<a href="#">Buy now</a>
6	<a href="#">9038710M42</a> Coller (688)	<a href="#">Buy now</a>
7	<a href="#">9010109M01</a> Bolt(62x)	<a href="#">Buy now</a>
8	<a href="#">9020110M63</a> Washer, plate	<a href="#">Buy now</a>
9	<a href="#">6E54314501</a> Cap, clamp bracket	<a href="#">Buy now</a>
10	<a href="#">9321016275</a> O-ring	<a href="#">Buy now</a>

# Top Cowling



Ref	Part	
1	<a href="#">65W42610114D</a> Top Cowling assembly F25A	<a href="#">Buy now</a>
1	<a href="#">65W42610204D</a> Top Cowling assembly F25A-NEW PARTS *1	<a href="#">Buy now</a>
1	<a href="#">65W42610414D</a> Top Cowling assembly F20A	<a href="#">Buy now</a>
1	<a href="#">65W42610424D</a> Top Cowling assembly F20A-NEW PARTS *1	<a href="#">Buy now</a>
2	<a href="#">65W4261300</a> Molding Air Duct	<a href="#">Buy now</a>
3	<a href="#">9778060520</a> Screw, tapping(6k8)	<a href="#">Buy now</a>
4	<a href="#">65W4265101</a> Hook	<a href="#">Buy now</a>
5	<a href="#">9010906MA4</a> Bolt	<a href="#">Buy now</a>
6	<a href="#">65W4265200</a> Hook	<a href="#">Buy now</a>
6	<a href="#">65W4265201</a> Hook NEW PARTS *1	<a href="#">Buy now</a>
7	<a href="#">9026606M02</a> Rivet (697)	<a href="#">Buy now</a>
8	<a href="#">65W4261501</a> Seal	<a href="#">Buy now</a>
8	<a href="#">6D54261500</a> Seal NEW PARTS *1	<a href="#">Buy now</a>
9	<a href="#">65W4267820</a> Graphic, front F25A	<a href="#">Buy now</a>
9	<a href="#">65W4267840</a> Graphic, front F20A	<a href="#">Buy now</a>

# Top Cowling



65W3100-C010

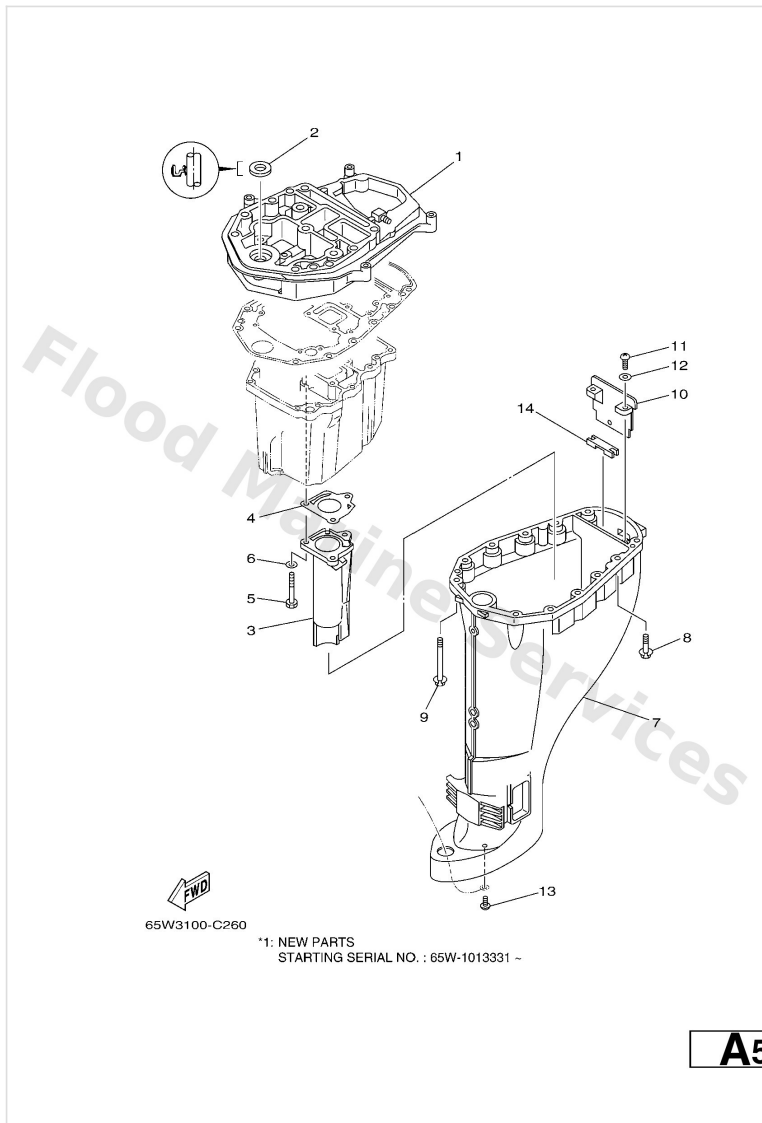
\*1: NEW PARTS  
STARTING SERIAL NO. : 65W-1013331 ~

**A4**

Ref	Part	
10	<a href="#">65WW007020</a> Graphic set	<a href="#">Buy now</a>
11	<a href="#">65W4268120</a> Mark, cowling	<a href="#">Buy now</a>
12	<a href="#">65W4268220</a> Mark, cowling	<a href="#">Buy now</a>
13	<a href="#">9020205M38</a> Washer, plate(6I2)	<a href="#">Buy now</a>
14	<a href="#">9568006100</a> U-nut (6a5)	<a href="#">Buy now</a>
15	<a href="#">65W4267700</a> Graphic, front F25A	<a href="#">Buy now</a>
15	<a href="#">65W4267710</a> Graphic, front F20A	<a href="#">Buy now</a>
16	<a href="#">67F1343402</a> Label, Caution	<a href="#">Buy now</a>

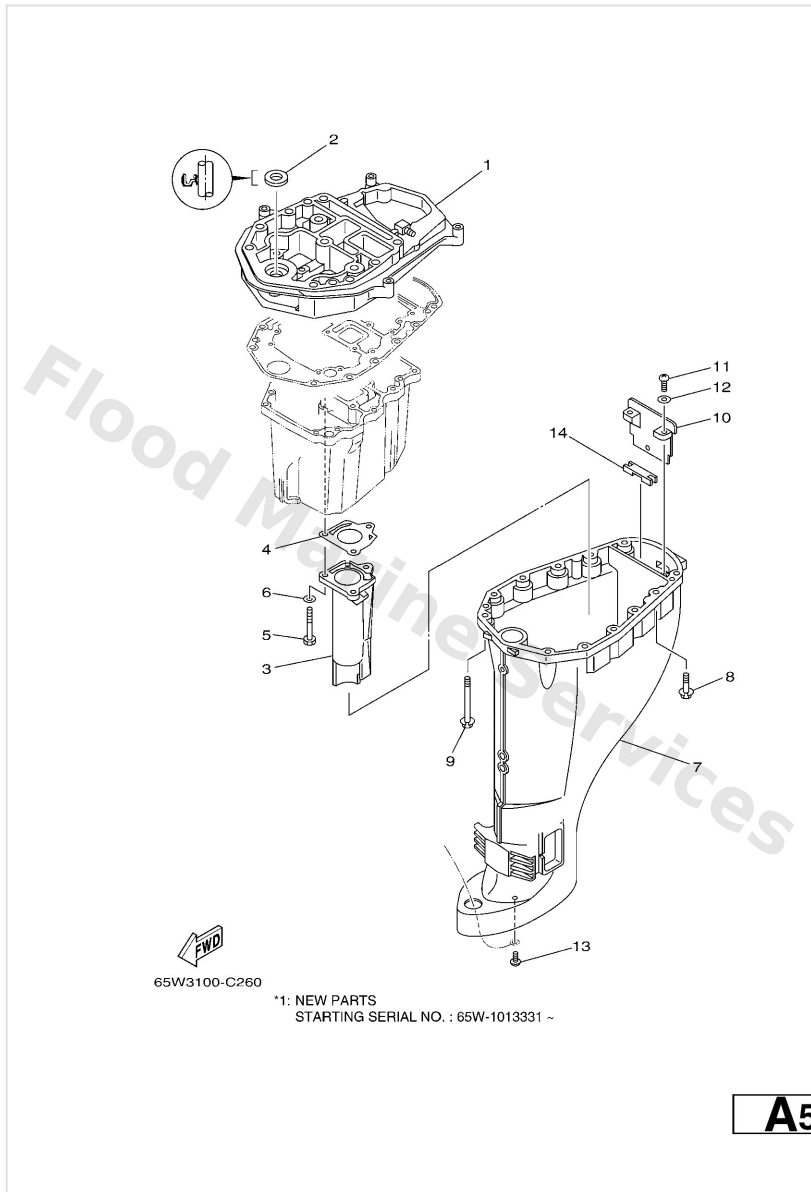


# Upper Casing



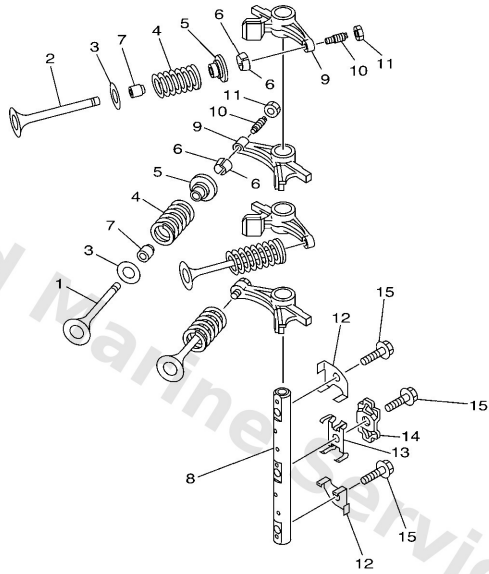
Ref	Part	
1	<a href="#">65W411370494</a> Guide, Exhaust	<a href="#">Buy now</a>
2	<a href="#">9311016004</a> Oil seal	<a href="#">Buy now</a>
3	<a href="#">68U41131005B</a> Manifold, ext. 1	<a href="#">Buy now</a>
4	<a href="#">67C4113300</a> Gasket, exhaust manifold 1	<a href="#">Buy now</a>
5	<a href="#">9707506050</a> Bolt(jf7)	<a href="#">Buy now</a>
6	<a href="#">9299506600</a> Washer, plain (646)	<a href="#">Buy now</a>
7	<a href="#">65W45111004D</a> Casing, upper S	<a href="#">Buy now</a>
7	<a href="#">65W45111104D</a> Casing, upper L	<a href="#">Buy now</a>
7	<a href="#">6D545111004D</a> Casing, Upper NEW PARTS *1- S	<a href="#">Buy now</a>
7	<a href="#">6D545111104D</a> Casing, upper NEW PARTS *1- L	<a href="#">Buy now</a>
8	<a href="#">9011908M79</a> Bolt, hexagon (fj1)	<a href="#">Buy now</a>
9	<a href="#">9011908M82</a> Bolt, with washer(697)	<a href="#">Buy now</a>
10	<a href="#">65W4515100</a> Cover, upper casing	<a href="#">Buy now</a>
11	<a href="#">9788005016</a> Screw, pan head(6b0)	<a href="#">Buy now</a>
12	<a href="#">9299005600</a> Washer, plain (646)	<a href="#">Buy now</a>

# Upper Casing



Ref	Part	
13	<a href="#">9015706M06</a> Screw, pan head(6m7)	<a href="#">Buy now</a>
14	<a href="#">65W4512800</a> Seal 2	<a href="#">Buy now</a>

# Valve



  
65W1010-2050

**B3**

Ref	Part	
1	<a href="#">67C1211100</a> Valve, intake	<a href="#">Buy now</a>
2	<a href="#">62Y1212100</a> Valve, exhaust	<a href="#">Buy now</a>
3	<a href="#">62Y1211600</a> Seat, valve spring	<a href="#">Buy now</a>
4	<a href="#">51Y1211400</a> Spring, valve outer	<a href="#">Buy now</a>
5	<a href="#">30X1211700</a> Retainer, valve spring	<a href="#">Buy now</a>
6	<a href="#">30X1211800</a> Cotter, valve	<a href="#">Buy now</a>
7	<a href="#">51Y1211900</a> Seal, valve stem	<a href="#">Buy now</a>
8	<a href="#">65W1214600</a> Shaft Rocker	<a href="#">Buy now</a>
9	<a href="#">65W1215100</a> Arm, valve rocker	<a href="#">Buy now</a>
10	<a href="#">62Y1215900</a> Screw Valve Adjusting	<a href="#">Buy now</a>
11	<a href="#">62Y1215800</a> Nut, lock	<a href="#">Buy now</a>
12	<a href="#">62Y1223800</a> Plate Bolt Stopper	<a href="#">Buy now</a>
13	<a href="#">62Y1221600</a> Spring	<a href="#">Buy now</a>
14	<a href="#">62Y1223100</a> Guide, stopper 1	<a href="#">Buy now</a>
15	<a href="#">9010908M63</a> Bolt(62y)	<a href="#">Buy now</a>

# Disclaimer

This document is provided for convenience only. It is **not** an official Yamaha publication and is **not supplied, endorsed, or approved** by Yamaha Motor Co., Ltd.

Reasonable efforts are made to keep information accurate; however diagrams, part references, supersessions, descriptions, and applicability may contain errors or omissions. Specifications and part availability may change without notice.

You are responsible for confirming the correct parts for your engine (including model code, year, serial range, and any superseded part numbers) before ordering or fitting.