



FLOOD MARINE SERVICES

# Yamaha F25DMH 2013

Parts Manual

[www.floodmarine.co.uk](http://www.floodmarine.co.uk)

+44 2882 246 539

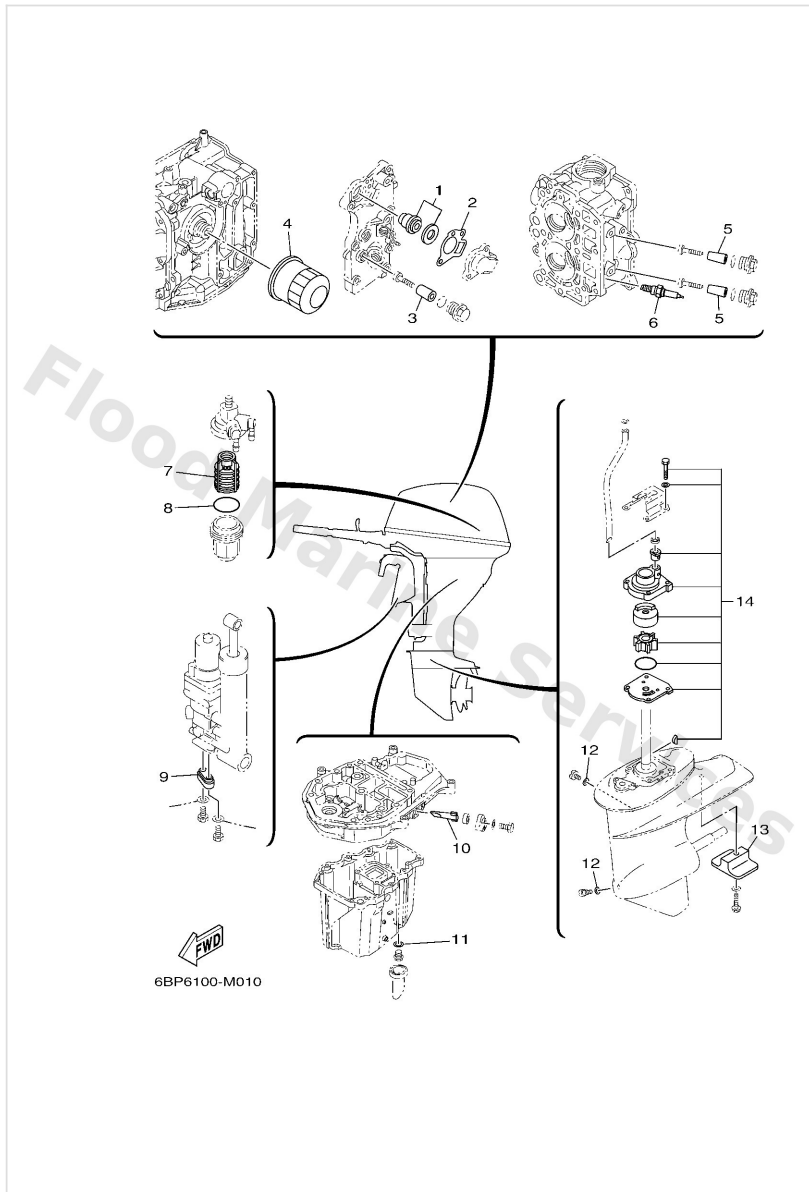
Authorised Yamaha Dealers



# Contents

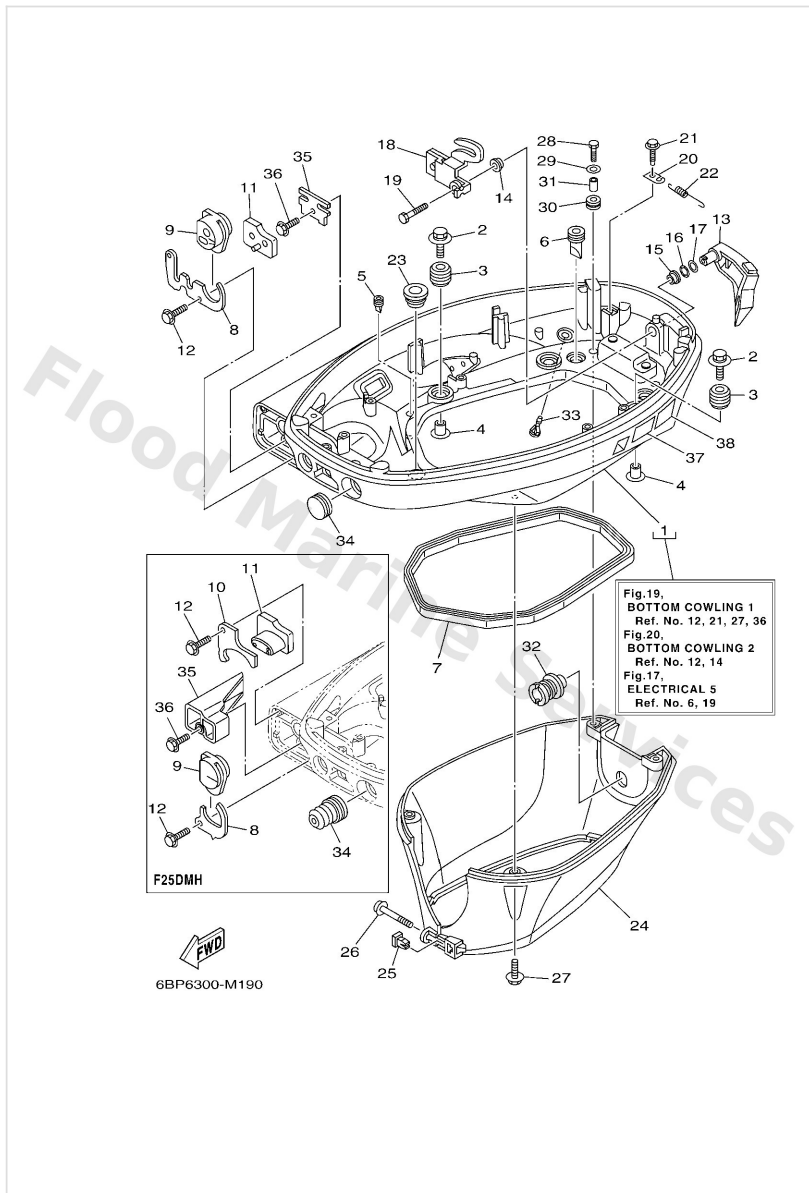
<b>SCHEDULED SERVICE PARTS</b> .....	3
<b>BOTTOM COWLING 1</b> .....	4
<b>BOTTOM COWLING 2</b> .....	7
<b>BRACKET 1</b> .....	8
<b>BRACKET 2</b> .....	11
<b>BRACKET 3</b> .....	15
<b>CARBURETOR</b> .....	19
<b>CONTROL 1</b> .....	22
<b>CONTROL 2</b> .....	25
<b>CRANKSHAFT &amp; PISTON</b> .....	27
<b>CYLINDER &amp; CRANKCASE 1</b> .....	29
<b>CYLINDER &amp; CRANKCASE 2</b> .....	32
<b>ELECTRICAL 1</b> .....	34
<b>ELECTRICAL 2</b> .....	35
<b>ELECTRICAL 3</b> .....	37
<b>ELECTRICAL 4</b> .....	39
<b>ELECTRICAL 5</b> .....	40
<b>FUEL</b> .....	42
<b>FUEL TANK 1</b> .....	46
<b>FUEL TANK 2</b> .....	47
<b>GENERATOR</b> .....	48
<b>INTAKE</b> .....	50
<b>LOWER CASING &amp; DRIVE 1</b> .....	52
<b>LOWER CASING &amp; DRIVE 2</b> .....	57
<b>OIL PAN</b> .....	59
<b>OIL PUMP</b> .....	61
<b>POWER TRIM &amp; TILT ASSY</b> .....	63
<b>REMO CON ATTACHMENT</b> .....	68
<b>REMOTE CONTROL ASSY</b> .....	70
<b>REMOTE CONTROL BOX</b> .....	75
<b>REPAIR KIT 1</b> .....	76
<b>REPAIR KIT 2</b> .....	78
<b>REPAIR KIT 3</b> .....	79
<b>STARTER</b> .....	81
<b>STARTING MOTOR</b> .....	84
<b>STEERING</b> .....	86
<b>STEERING FRICTION</b> .....	89
<b>STEERING GUIDE</b> .....	90
<b>TOP COWLING</b> .....	91
<b>UPPER CASING</b> .....	93
<b>VALVE</b> .....	95

## Scheduled Service Parts



Ref	Part	
1	<a href="#">6G81241103</a> Thermostat	<a href="#">Buy now</a>
2	<a href="#">62Y1241400</a> Gasket, cover	<a href="#">Buy now</a>
3	<a href="#">6G81132500</a> Anode	<a href="#">Buy now</a>
4	<a href="#">5GH1344050</a> Element assembly, oil cleaner	<a href="#">Buy now</a>
5	<a href="#">6BL1132500</a> Anode	<a href="#">Buy now</a>
6	<a href="#">9470200418</a> Plug, spark (dpr6eb-9)	<a href="#">Buy now</a>
7	<a href="#">61N2456310</a> Element, filter	<a href="#">Buy now</a>
8	<a href="#">9321032738</a> O-ring(1wg)	<a href="#">Buy now</a>
9	<a href="#">65W4525100</a> Anode	<a href="#">Buy now</a>
10	<a href="#">62Y1132500</a> Anode	<a href="#">Buy now</a>
11	<a href="#">9043014M09</a> Gasket	<a href="#">Buy now</a>
12	<a href="#">9043008020</a> Gasket	<a href="#">Buy now</a>
13	<a href="#">61N4525101</a> Anode	<a href="#">Buy now</a>
14	<a href="#">61NW007811</a> Water pump repair kit	<a href="#">Buy now</a>

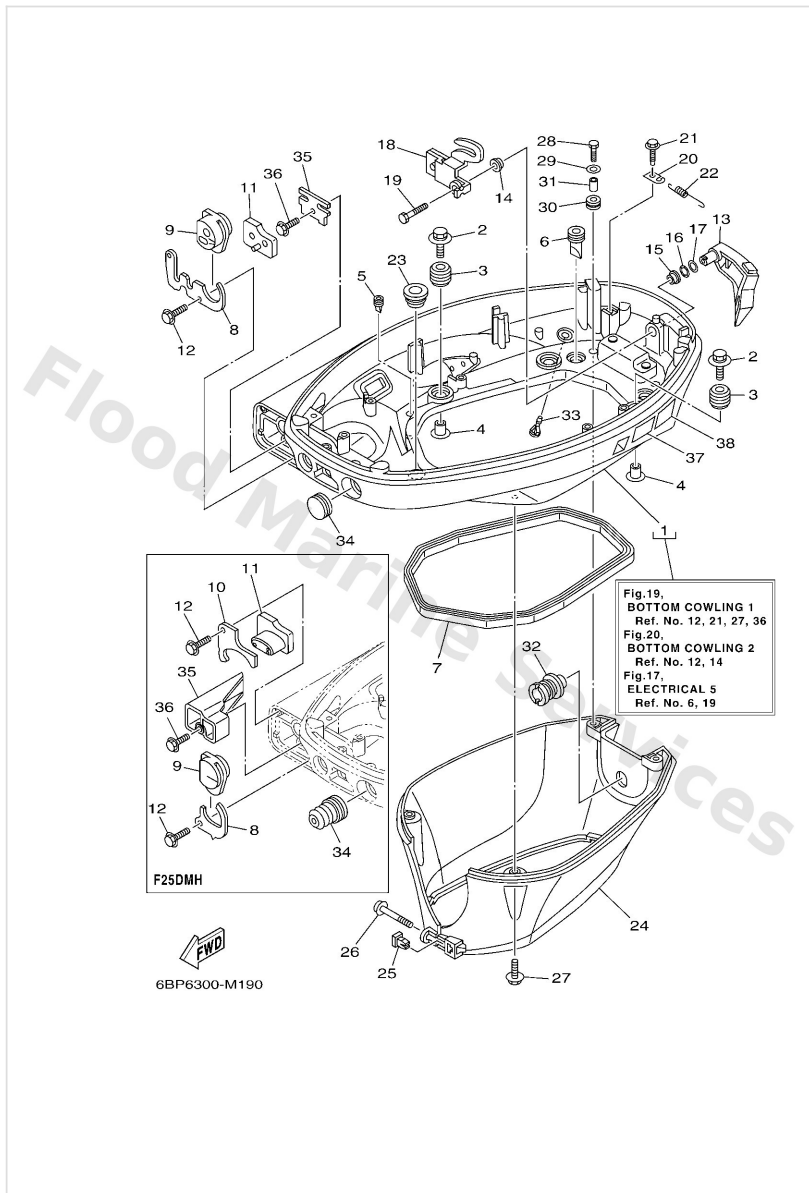
# Bottom Cowling 1



Ref	Part	
1	<a href="#">6BP42710004D</a> Bottom cowling assembly	<a href="#">Buy now</a>
2	<a href="#">9011906M61</a> Bolt, with washer	<a href="#">Buy now</a>
3	<a href="#">6BG4274800</a> Grommet	<a href="#">Buy now</a>
4	<a href="#">9038706M69</a> Collar (688)	<a href="#">Buy now</a>
5	<a href="#">65W4271700</a> Rubber, seal 2	<a href="#">Buy now</a>
6	<a href="#">61A4271700</a> Rubber, seal 2	<a href="#">Buy now</a>
7	<a href="#">62Y4271600</a> Rubber seal 1	<a href="#">Buy now</a>
8	<a href="#">6BL4276100</a> Stopper	<a href="#">Buy now</a>
8	<a href="#">6BL4276110</a> Stopper	<a href="#">Buy now</a>
9	<a href="#">6BL4272501</a> Grommet	<a href="#">Buy now</a>
9	<a href="#">6BL4272510</a> Grommet	<a href="#">Buy now</a>
10	<a href="#">6BL4276210</a> Stopper	<a href="#">Buy now</a>
11	<a href="#">6BL4272700</a> Grommet	<a href="#">Buy now</a>
11	<a href="#">6BL4272710</a> Grommet	<a href="#">Buy now</a>
12	<a href="#">9010906M86</a> Bolt	<a href="#">Buy now</a>

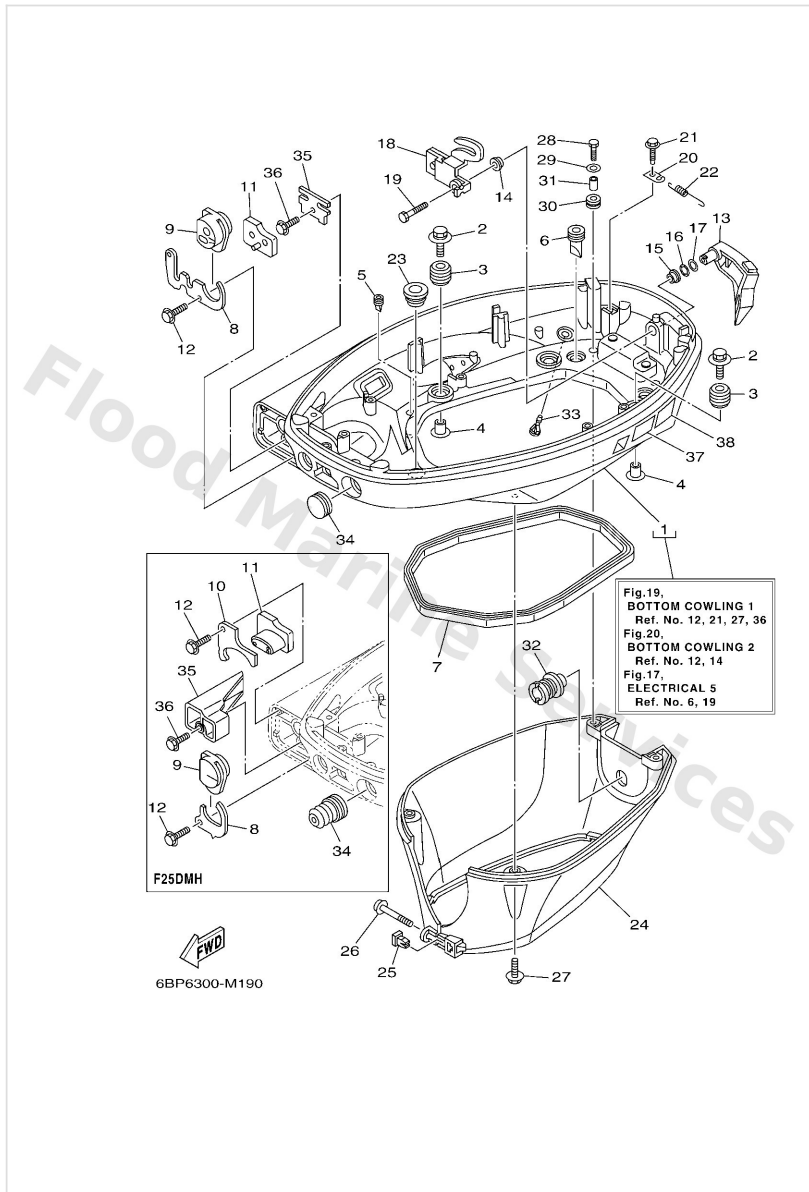


# Bottom Cowling 1



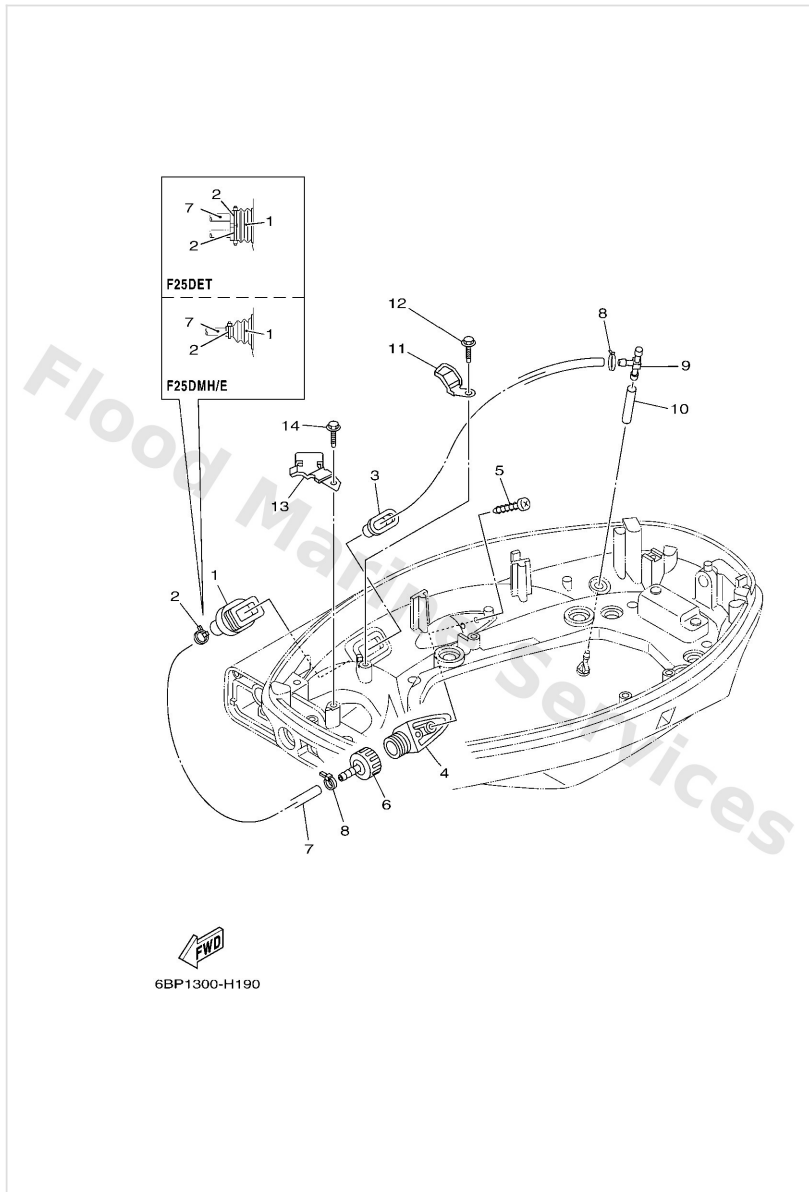
Ref	Part	
13	<a href="#">6BL42815004D</a> Lever, clamp	<a href="#">Buy now</a>
14	<a href="#">9038612M37</a> Bushing (6f5)	<a href="#">Buy now</a>
15	<a href="#">9038612MA2</a> Bush	<a href="#">Buy now</a>
16	<a href="#">9020612052</a> Washer, wave (666)	<a href="#">Buy now</a>
17	<a href="#">9020112M07</a> Washer, plate	<a href="#">Buy now</a>
18	<a href="#">6BG4281600</a> Lever, clamp	<a href="#">Buy now</a>
19	<a href="#">9709506012</a> Bolt(gh1)	<a href="#">Buy now</a>
20	<a href="#">66T4314400</a> Hook, spring	<a href="#">Buy now</a>
22	<a href="#">9050618023</a> Spring, tension	<a href="#">Buy now</a>
23	<a href="#">68U4272700</a> Grommet	<a href="#">Buy now</a>
24	<a href="#">6BP4274100</a> Apron	<a href="#">Buy now</a>
25	<a href="#">60V4275600</a> Stay, clamp	<a href="#">Buy now</a>
26	<a href="#">9798004245</a> Screw, with washer	<a href="#">Buy now</a>
28	<a href="#">9709506014</a> Bolt(gj3)	<a href="#">Buy now</a>
29	<a href="#">9299506600</a> Washer, plain (646)	<a href="#">Buy now</a>

# Bottom Cowling 1



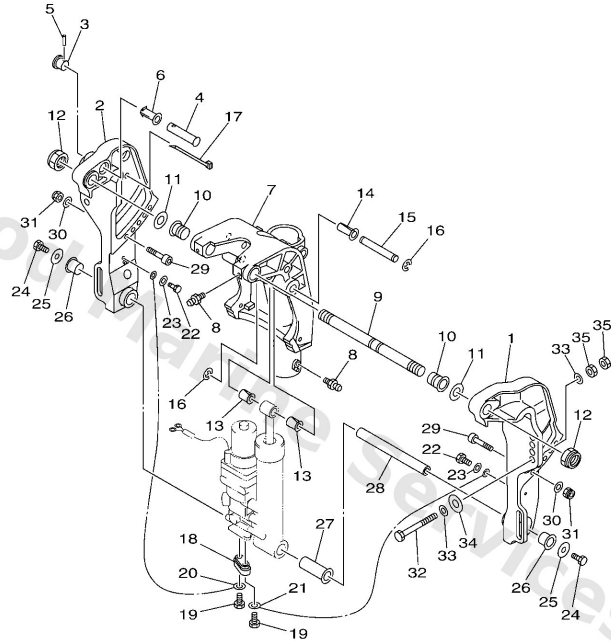
Ref	Part	
30	<a href="#">9048013M24</a> Grommet (6e9)	<a href="#">Buy now</a>
31	<a href="#">9038706M43</a> Coller (6e9)	<a href="#">Buy now</a>
32	<a href="#">6BP4276900</a> Seal, rubber L(21.6")	<a href="#">Buy now</a>
33	<a href="#">6BL4439100</a> Nipple, hose	<a href="#">Buy now</a>
34	<a href="#">65W4272600</a> Grommet	<a href="#">Buy now</a>
34	<a href="#">65W4272610</a> Grommet	<a href="#">Buy now</a>
35	<a href="#">6BL4273500</a> Protector	<a href="#">Buy now</a>
35	<a href="#">6BL4853800</a> Clamp, cable 1	<a href="#">Buy now</a>
37	<a href="#">6AH4279440</a> Label, warning (ge)	<a href="#">Buy now</a>
38	<a href="#">6AH4279450</a> Label, warning (ge)	<a href="#">Buy now</a>

## Bottom Cowling 2



Ref	Part	
1	<a href="#">6BG4272400</a> Grommet	<a href="#">Buy now</a>
1	<a href="#">6H14272621</a> Grommet	<a href="#">Buy now</a>
2	<a href="#">9046511M10</a> Clamp	<a href="#">Buy now</a>
3	<a href="#">6BG4238400</a> Seal, cap	<a href="#">Buy now</a>
4	<a href="#">6AW1257200</a> Adapter	<a href="#">Buy now</a>
5	<a href="#">9778060520</a> Screw, tapping(6k8)	<a href="#">Buy now</a>
6	<a href="#">6R31258000</a> Joint assembly	<a href="#">Buy now</a>
7	<a href="#">9044511153</a> Hose (I800)	<a href="#">Buy now</a>
9	<a href="#">6C52437800</a> Pipe, joint 4	<a href="#">Buy now</a>
10	<a href="#">9044509057</a> Hose (I180)	<a href="#">Buy now</a>
11	<a href="#">6BL2439600</a> Plate	<a href="#">Buy now</a>
12	<a href="#">9010906M86</a> Bolt	<a href="#">Buy now</a>
13	<a href="#">6BL2436400</a> Stay	<a href="#">Buy now</a>

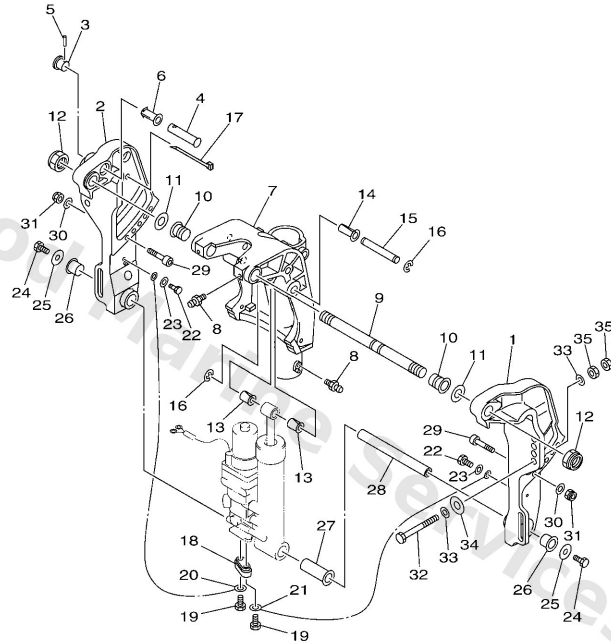
# Bracket 1



  
6BP3110-K260

Ref	Part	
1	<a href="#">65W43111104D</a> Bracket, clamp 1	<a href="#">Buy now</a>
2	<a href="#">65W43112104D</a> Bracket, clamp 2	<a href="#">Buy now</a>
3	<a href="#">65W4319200</a> Knob, stopper	<a href="#">Buy now</a>
4	<a href="#">65W4319100</a> Shaft, stopper	<a href="#">Buy now</a>
5	<a href="#">9169030018</a> 926-51502-00 pin, spring (700)	<a href="#">Buy now</a>
6	<a href="#">9038614MA1</a> Bush	<a href="#">Buy now</a>
7	<a href="#">65W43311104D</a> Bracket, swivel 1 L(21.6")	<a href="#">Buy now</a>
8	<a href="#">9370006M03</a> Nipple, grease(6a1)	<a href="#">Buy now</a>
9	<a href="#">63D4313101</a> Bolt, clamp bracket	<a href="#">Buy now</a>
10	<a href="#">9038622M15</a> Bushing (688)	<a href="#">Buy now</a>
11	<a href="#">9020122M03</a> Washer, plate(64j)	<a href="#">Buy now</a>
12	<a href="#">9018522043</a> Nut, self-locking	<a href="#">Buy now</a>
13	<a href="#">9038612MA0</a> Bush, solid	<a href="#">Buy now</a>
14	<a href="#">9038612M98</a> Bush	<a href="#">Buy now</a>
15	<a href="#">9024912M38</a> Pin	<a href="#">Buy now</a>

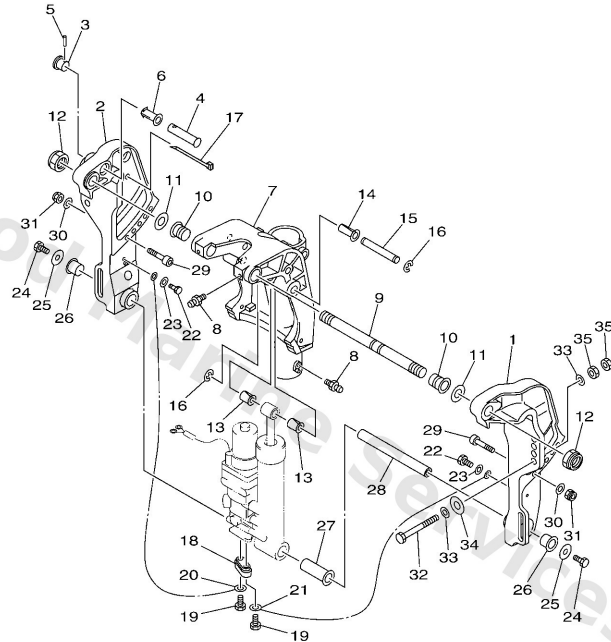
# Bracket 1



  
6BP3110-K260

Ref	Part	
16	<a href="#">9908010600</a> Circlip	<a href="#">Buy now</a>
17	<a href="#">9046513M11</a> Clamp (6e5)	<a href="#">Buy now</a>
18	<a href="#">65W4525100</a> Anode	<a href="#">Buy now</a>
19	<a href="#">9010106020</a> Bolt	<a href="#">Buy now</a>
20	<a href="#">6H18214800</a> Wire, lead	<a href="#">Buy now</a>
21	<a href="#">6U08212700</a> Wire, lead 5	<a href="#">Buy now</a>
22	<a href="#">9709506014</a> Bolt(gj3)	<a href="#">Buy now</a>
23	<a href="#">9299506600</a> Washer, plain (646)	<a href="#">Buy now</a>
24	<a href="#">9708008016</a> Bolt	<a href="#">Buy now</a>
25	<a href="#">9020108M00</a> Washer, plate(6e0)	<a href="#">Buy now</a>
26	<a href="#">9038618M44</a> Bushing (6g5)	<a href="#">Buy now</a>
27	<a href="#">9038618MA0</a> Bush	<a href="#">Buy now</a>
28	<a href="#">9024918M35</a> Pin, lower shock mount	<a href="#">Buy now</a>
29	<a href="#">9011010M02</a> Bolt, hexagon socket head	<a href="#">Buy now</a>
30	<a href="#">9299510600</a> Washer, plate	<a href="#">Buy now</a>

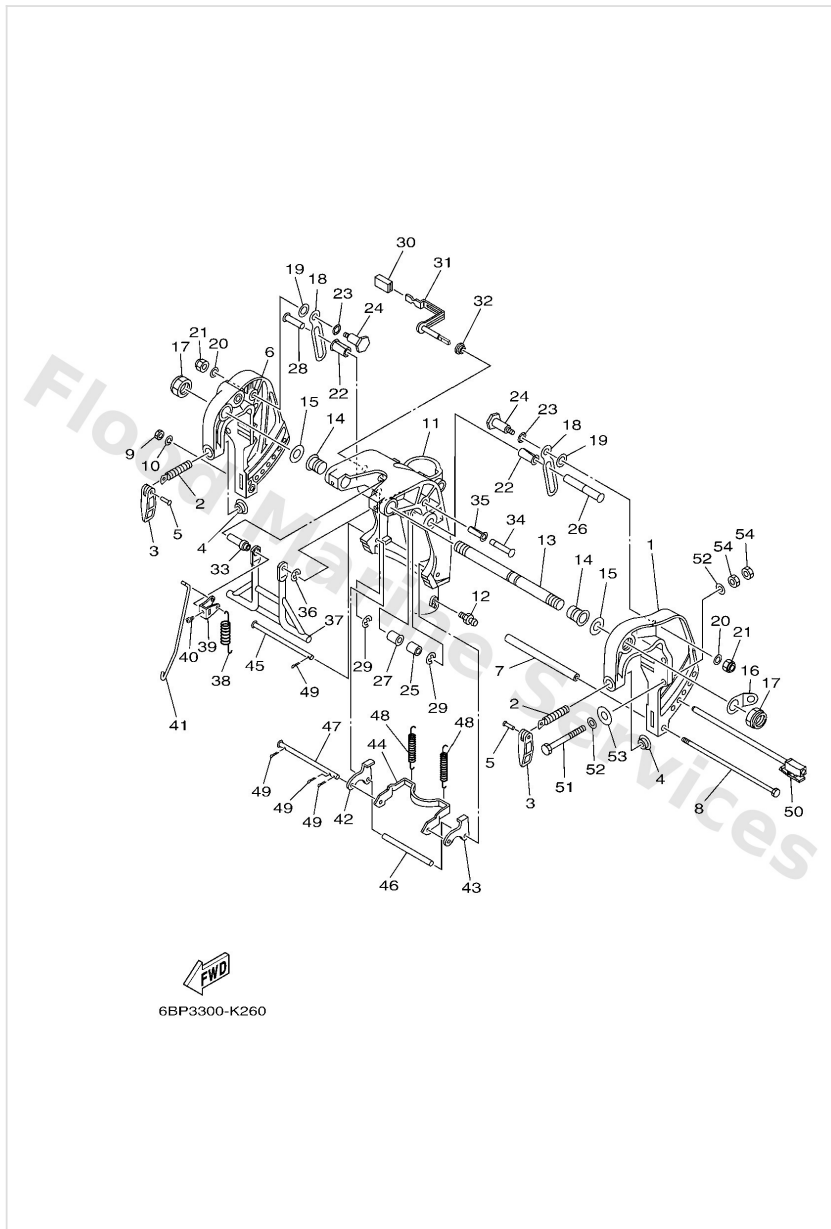
# Bracket 1



  
6BP3110-K260

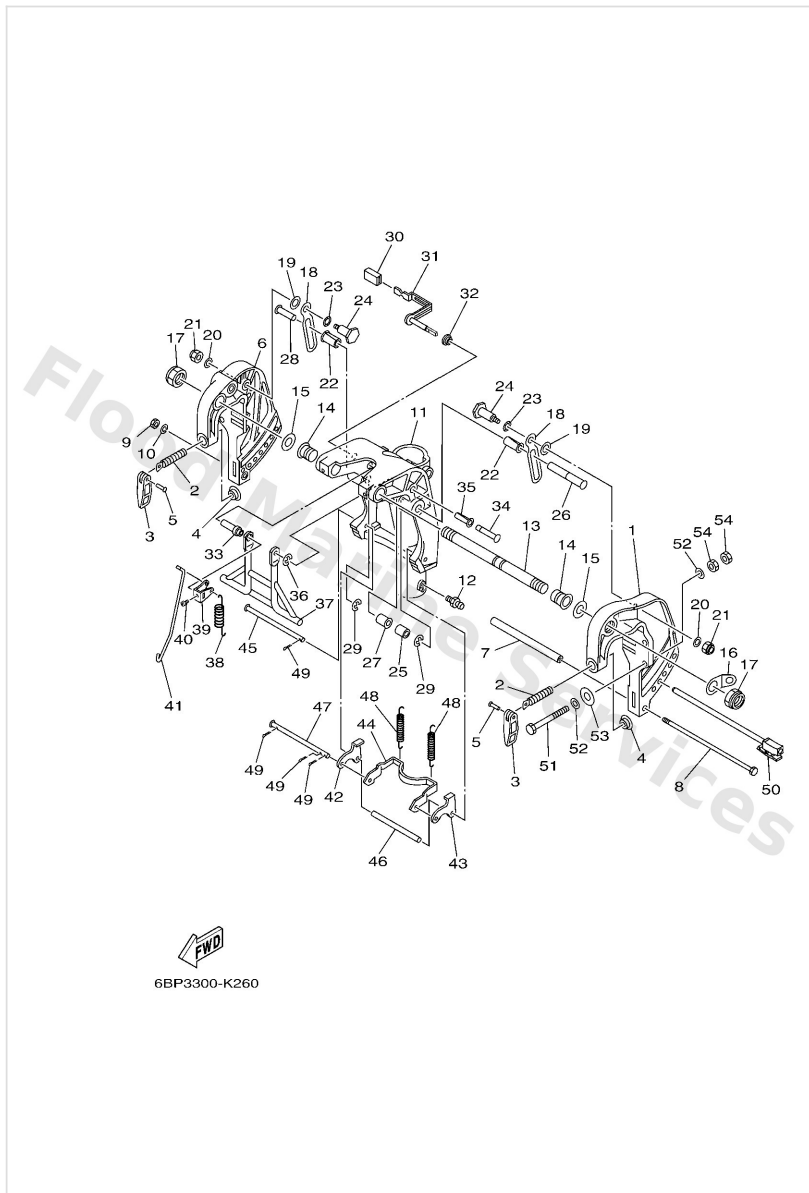
Ref	Part	
31	<a href="#">9018510M13</a> Nut, self-locking	<a href="#">Buy now</a>
32	<a href="#">9010112M65</a> Bolt	<a href="#">Buy now</a>
33	<a href="#">9020112062</a> Washer, plate	<a href="#">Buy now</a>
34	<a href="#">9020112426</a> Washer, plate(663)	<a href="#">Buy now</a>
35	<a href="#">9538012600</a> Nut (707)	<a href="#">Buy now</a>

# Bracket 2



Ref	Part	
1	<a href="#">66T43111014D</a> Bracket, clamp 1	<a href="#">Buy now</a>
2	<a href="#">9014914M12</a> Screw(6h4)	<a href="#">Buy now</a>
3	<a href="#">66343118014D</a> Handle, transom clamp	<a href="#">Buy now</a>
4	<a href="#">6484311401</a> Pad, transom clamp	<a href="#">Buy now</a>
5	<a href="#">9024304007</a> Pin (663)	<a href="#">Buy now</a>
6	<a href="#">66T43112014D</a> Bracket, clamp 2	<a href="#">Buy now</a>
7	<a href="#">9038708M29</a> Collar	<a href="#">Buy now</a>
8	<a href="#">9010108M76</a> Bolt	<a href="#">Buy now</a>
9	<a href="#">9538008600</a> Nut (661)	<a href="#">Buy now</a>
10	<a href="#">9299008100</a> Ybs67-8 washer, spring	<a href="#">Buy now</a>
11	<a href="#">65W43311004D</a> Bracket, swivel S(16.6")	<a href="#">Buy now</a>
11	<a href="#">65W43311104D</a> Bracket, swivel 1 L(21.6")	<a href="#">Buy now</a>
12	<a href="#">9370006M03</a> Nipple, grease(6a1)	<a href="#">Buy now</a>
13	<a href="#">63D4313101</a> Bolt, clamp bracket	<a href="#">Buy now</a>
14	<a href="#">9038622M15</a> Bushing (688)	<a href="#">Buy now</a>

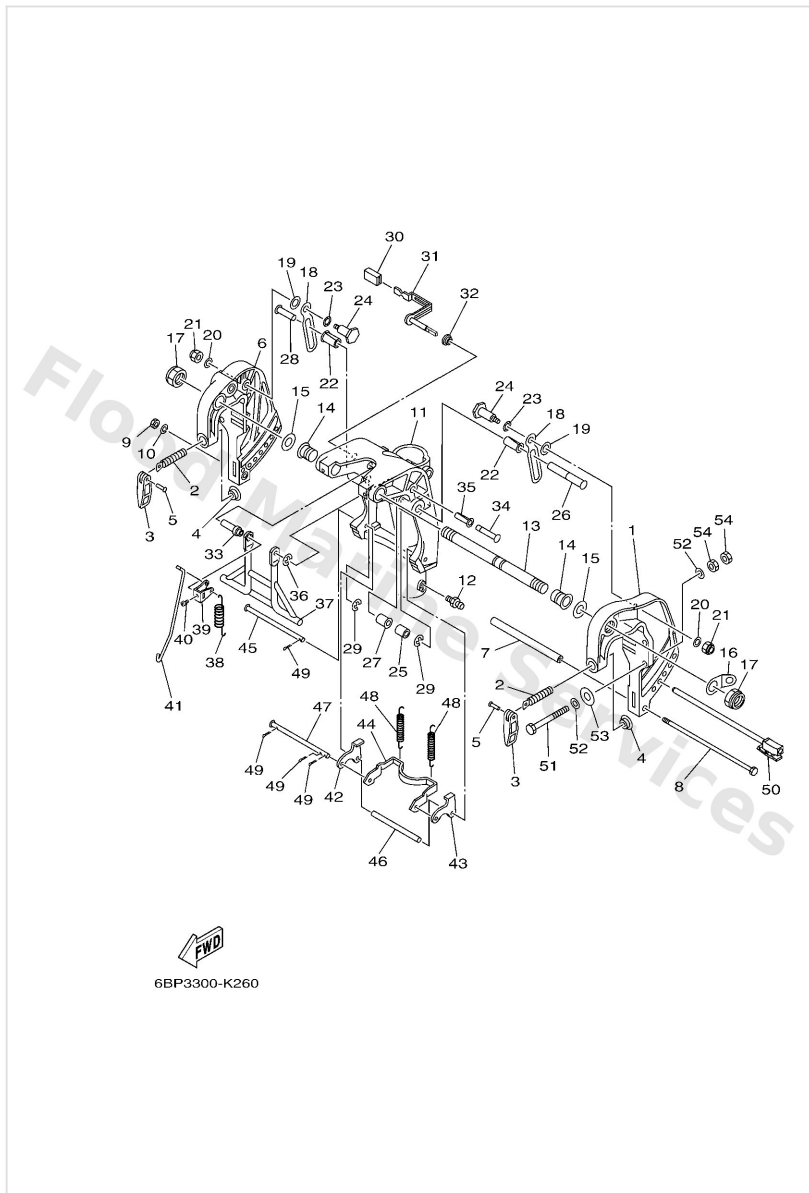
## Bracket 2



Ref	Part	
15	<a href="#">9020122M03</a> Washer, plate(64j)	<a href="#">Buy now</a>
16	<a href="#">6J84311301</a> Plate, clamp bracket	<a href="#">Buy now</a>
17	<a href="#">9018522043</a> Nut, self-locking	<a href="#">Buy now</a>
18	<a href="#">66T4362700</a> Stopper	<a href="#">Buy now</a>
19	<a href="#">9020212031</a> Washer, plate 6484412600	<a href="#">Buy now</a>
20	<a href="#">9020108M07</a> Washer, plate	<a href="#">Buy now</a>
21	<a href="#">9018508057</a> Nut, nylon (6j8)	<a href="#">Buy now</a>
22	<a href="#">9038612M98</a> Bush	<a href="#">Buy now</a>
23	<a href="#">9020612M00</a> Washer, wave (676)	<a href="#">Buy now</a>
24	<a href="#">9010908M90</a> Bolt	<a href="#">Buy now</a>
25	<a href="#">9038712M04</a> Collar	<a href="#">Buy now</a>
26	<a href="#">9024912M39</a> Pin	<a href="#">Buy now</a>
27	<a href="#">9038612MA0</a> Bush, solid	<a href="#">Buy now</a>
28	<a href="#">9024912M34</a> Pin	<a href="#">Buy now</a>
29	<a href="#">9908010600</a> Circlip	<a href="#">Buy now</a>

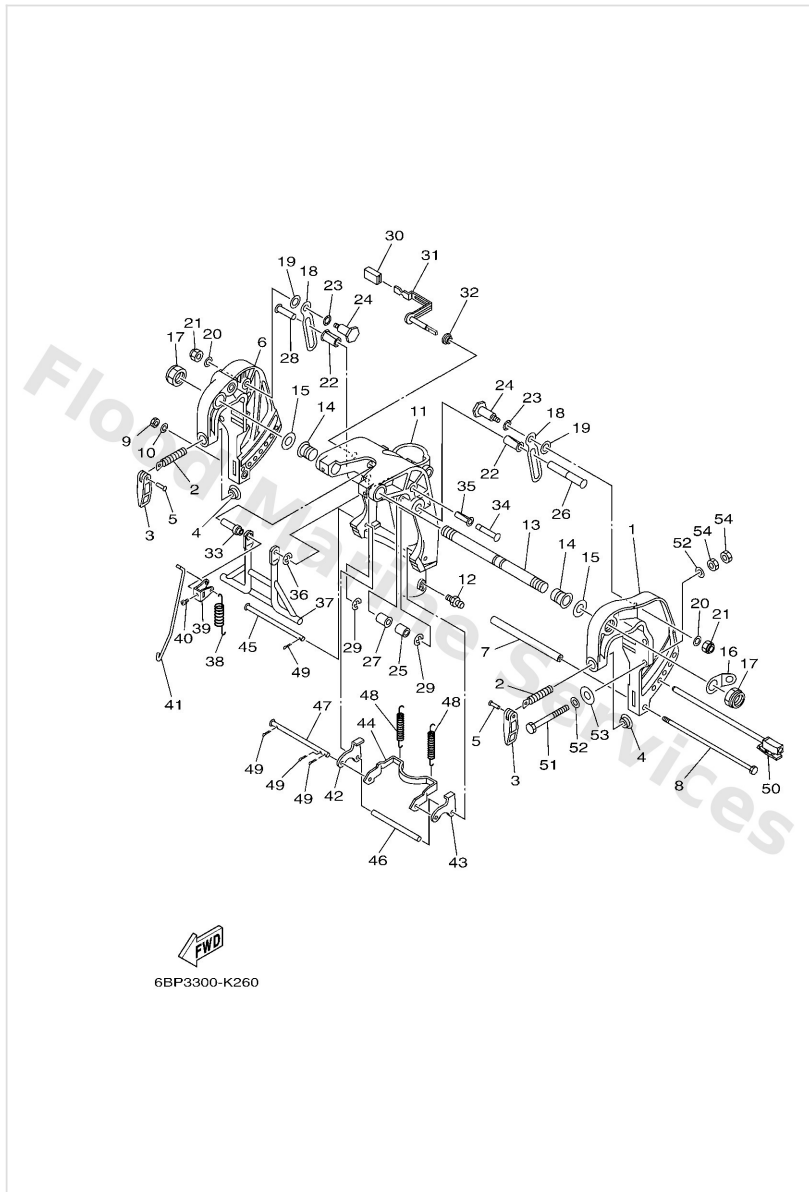


## Bracket 2



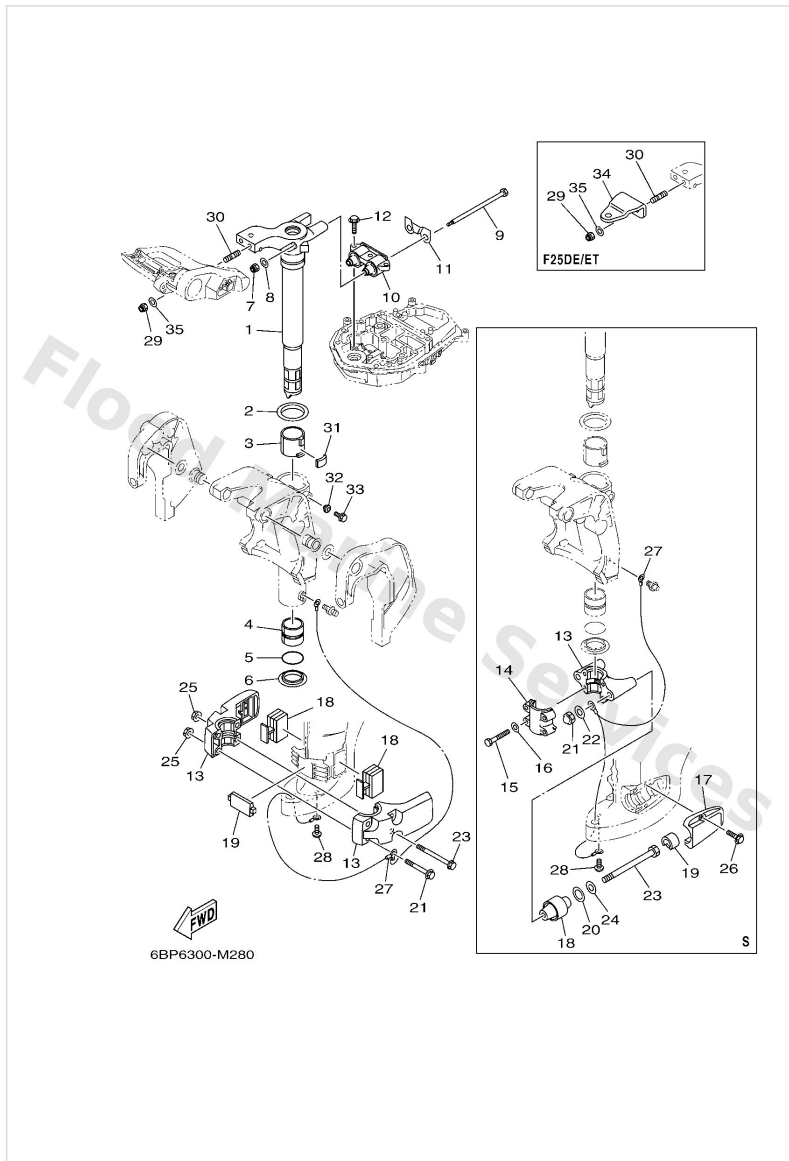
Ref	Part	
30	<a href="#">6824331801</a> Cover	<a href="#">Buy now</a>
31	<a href="#">65W4363011</a> Tilt lever assembly	<a href="#">Buy now</a>
32	<a href="#">9038607MA2</a> Bush	<a href="#">Buy now</a>
33	<a href="#">9038707M05</a> Collar	<a href="#">Buy now</a>
34	<a href="#">9024910M31</a> Pin	<a href="#">Buy now</a>
35	<a href="#">9038610M99</a> Bush	<a href="#">Buy now</a>
36	<a href="#">9908008600</a> Circlip	<a href="#">Buy now</a>
37	<a href="#">66T4335002</a> Receiver assembly	<a href="#">Buy now</a>
38	<a href="#">9050620M37</a> Spring, tension	<a href="#">Buy now</a>
39	<a href="#">66T4363111</a> Lever, tilt	<a href="#">Buy now</a>
40	<a href="#">9015705014</a> Screw, pan head	<a href="#">Buy now</a>
41	<a href="#">65W4361600</a> Rod, tilt lock	<a href="#">Buy now</a>
42	<a href="#">65W4361401</a> Plate, tilt lock	<a href="#">Buy now</a>
43	<a href="#">65W4361501</a> Plate, tilt lock	<a href="#">Buy now</a>
44	<a href="#">65W4361300</a> Arm, tilt lock	<a href="#">Buy now</a>

## Bracket 2



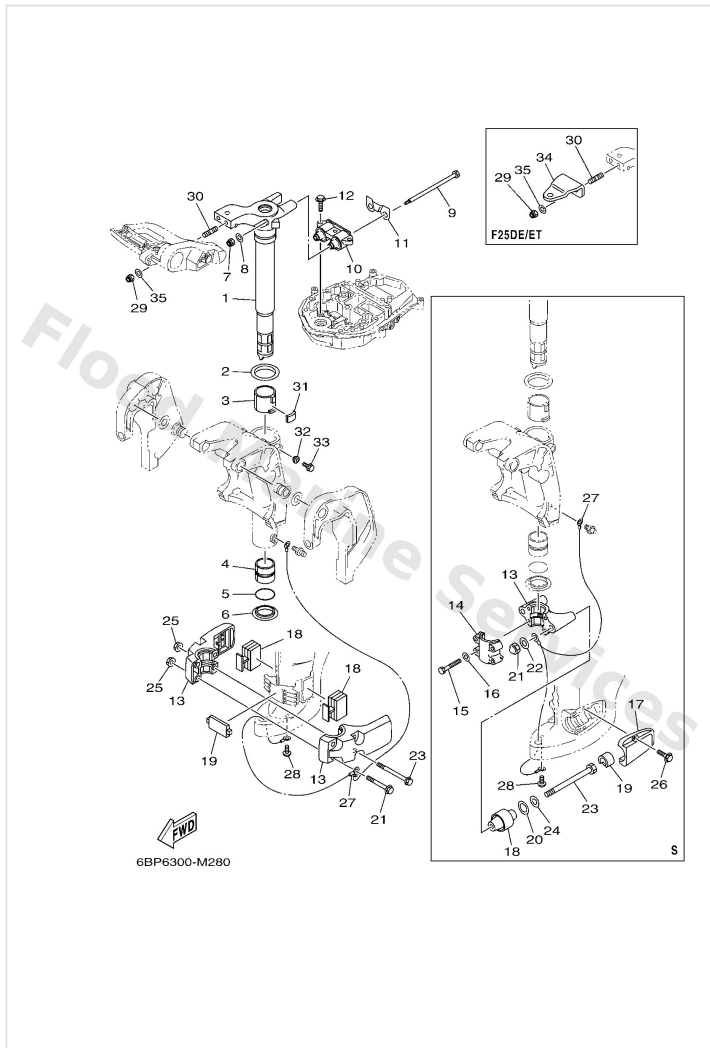
Ref	Part	
45	<a href="#">9024907M32</a> Pin	<a href="#">Buy now</a>
46	<a href="#">9038707M29</a> Collar	<a href="#">Buy now</a>
47	<a href="#">9024907M33</a> Pin	<a href="#">Buy now</a>
48	<a href="#">9050630M00</a> Spring, tension (676)	<a href="#">Buy now</a>
49	<a href="#">9149020012</a> Pin, cotter (648)	<a href="#">Buy now</a>
50	<a href="#">65W4316000</a> Tilt rod assembly	<a href="#">Buy now</a>
51	<a href="#">9010110M58</a> Bolt	<a href="#">Buy now</a>
52	<a href="#">9299510600</a> Washer, plate	<a href="#">Buy now</a>
53	<a href="#">9020112426</a> Washer, plate(663)	<a href="#">Buy now</a>
54	<a href="#">9538010600</a> Nut(624)	<a href="#">Buy now</a>

# Bracket 3



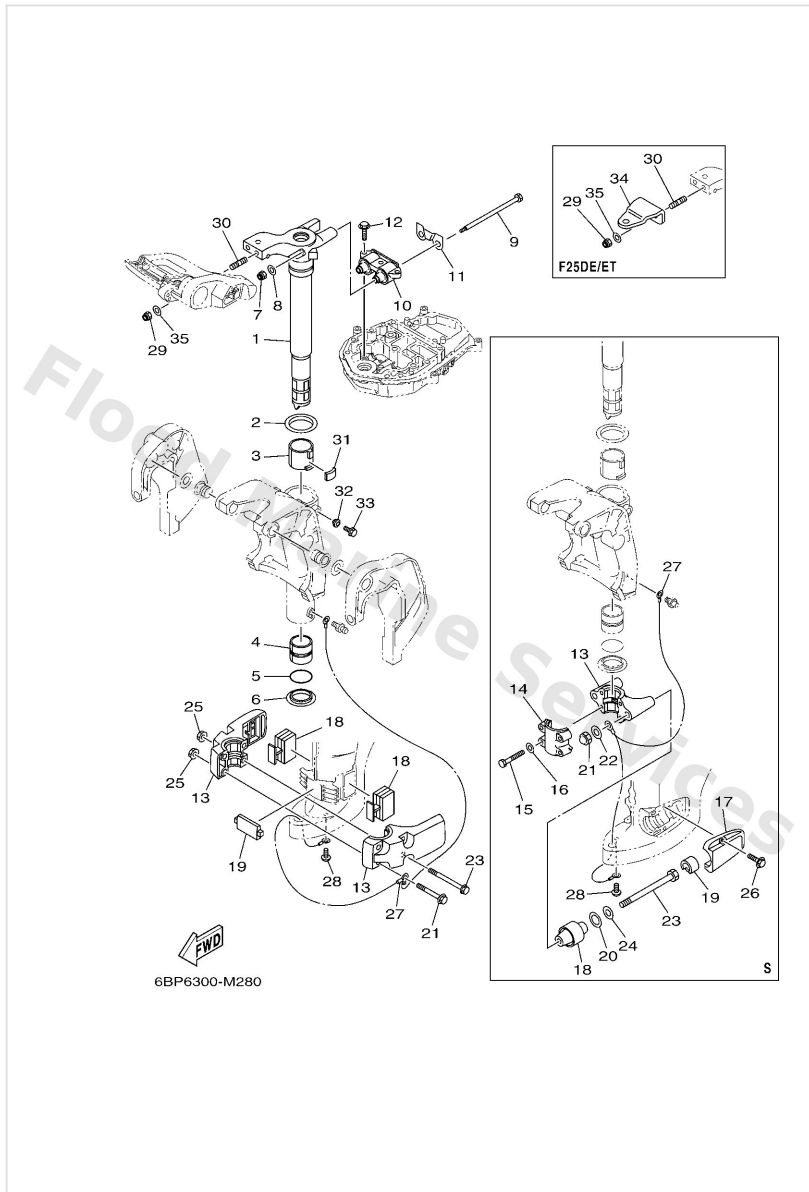
Ref	Part	
1	<a href="#">65W42511014D</a> Bracket, steering S(16.6")	<a href="#">Buy now</a>
1	<a href="#">65W42511114D</a> Bracket, steering L(21.6")	<a href="#">Buy now</a>
2	<a href="#">9020952M00</a> Washer (676)	<a href="#">Buy now</a>
3	<a href="#">9038652M02</a> Bushing (676)	<a href="#">Buy now</a>
4	<a href="#">9038644M03</a> Bushing (676)	<a href="#">Buy now</a>
5	<a href="#">9321043MJ0</a> O-ring	<a href="#">Buy now</a>
6	<a href="#">9038644M99</a> Bush	<a href="#">Buy now</a>
7	<a href="#">9018508045</a> Nut, self-locking	<a href="#">Buy now</a>
8	<a href="#">9299508200</a> Ybs66-8 washer, plain	<a href="#">Buy now</a>
9	<a href="#">9010108M86</a> Bolt (6h4)	<a href="#">Buy now</a>
10	<a href="#">67C445142094</a> Mount damper, upper side	<a href="#">Buy now</a>
11	<a href="#">66T4452630</a> Plate	<a href="#">Buy now</a>
26	<a href="#">9757508530</a> Bolt, hexagon w/w deep recess S(16.6")	<a href="#">Buy now</a>
13	<a href="#">65W44551114D</a> Housing, lower mount rubber 1 L(21.6")	<a href="#">Buy now</a>
13	<a href="#">6BP44551004D</a> Housing, lower mount rubber 1 S(16.6")	<a href="#">Buy now</a>

## Bracket 3



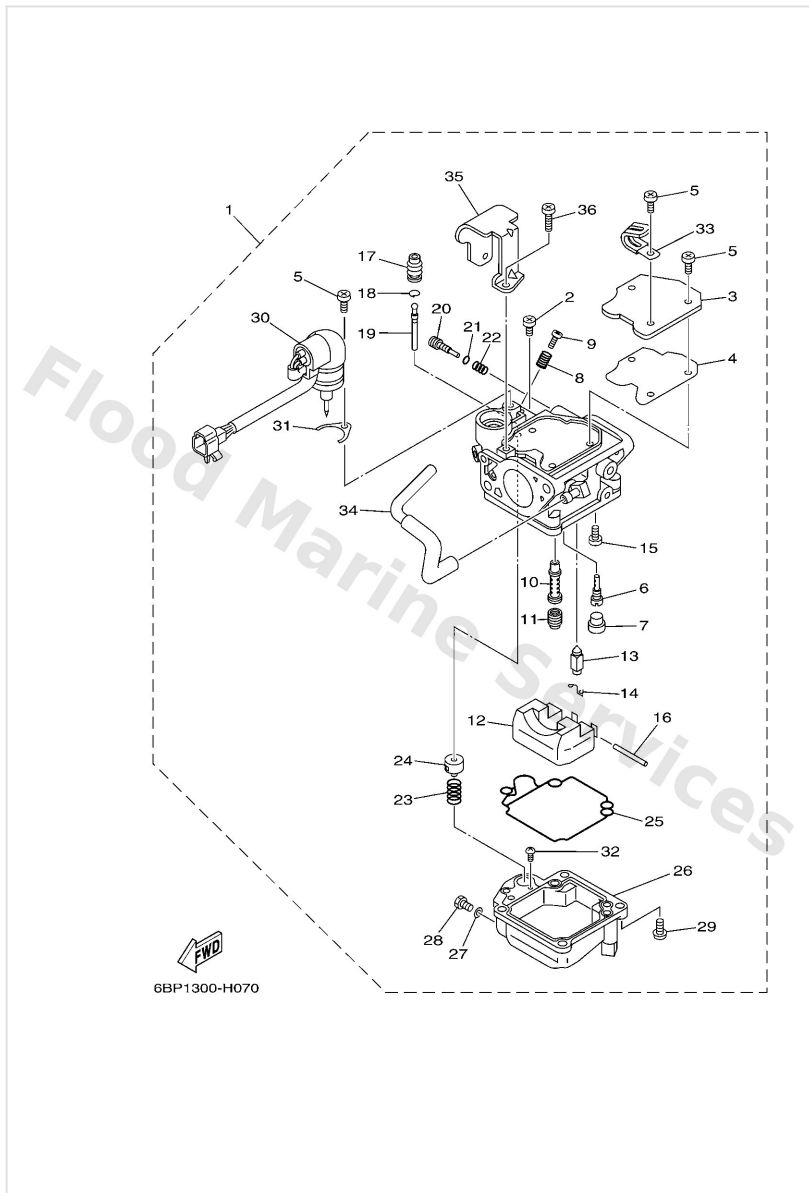
Ref	Part	
14	<a href="#">6BP44552004D</a> Housing, lower mount rubber 2 S(16.6")	<a href="#">Buy now</a>
15	<a href="#">9709508045</a> Bolt, hexagon S(16.6")	<a href="#">Buy now</a>
16	<a href="#">9299508600</a> Washer, plain (663) S(16.6")	<a href="#">Buy now</a>
17	<a href="#">63D44552014D</a> Housing, lower mount rubber S(16.6")	<a href="#">Buy now</a>
18	<a href="#">65W4455500</a> Mount damper, lower side L(21.6")	<a href="#">Buy now</a>
18	<a href="#">6BP4455500</a> Mount damper, lower side S(16.6")	<a href="#">Buy now</a>
19	<a href="#">64J4457500</a> Damper, lower mount rubber S(16.6")	<a href="#">Buy now</a>
19	<a href="#">65W4457501</a> Damper, lower mount rubber L(21.6")	<a href="#">Buy now</a>
20	<a href="#">9020225M04</a> Washer, plate (663) S(16.6")	<a href="#">Buy now</a>
21	<a href="#">9538012800</a> Nut crown(663) S(16.6")	<a href="#">Buy now</a>
21	<a href="#">9757510580</a> Bolt, hexagon w/w deep recess L(21.6")	<a href="#">Buy now</a>
22	<a href="#">9020112M16</a> Washer, plate (679) S(16.6")	<a href="#">Buy now</a>
23	<a href="#">9010912MA3</a> Bolt S(16.6")	<a href="#">Buy now</a>
23	<a href="#">9011910M14</a> Bolt, with washer L(21.6")	<a href="#">Buy now</a>
24	<a href="#">9020113M19</a> Washer, plate (663) S(16.6")	<a href="#">Buy now</a>

# Bracket 3



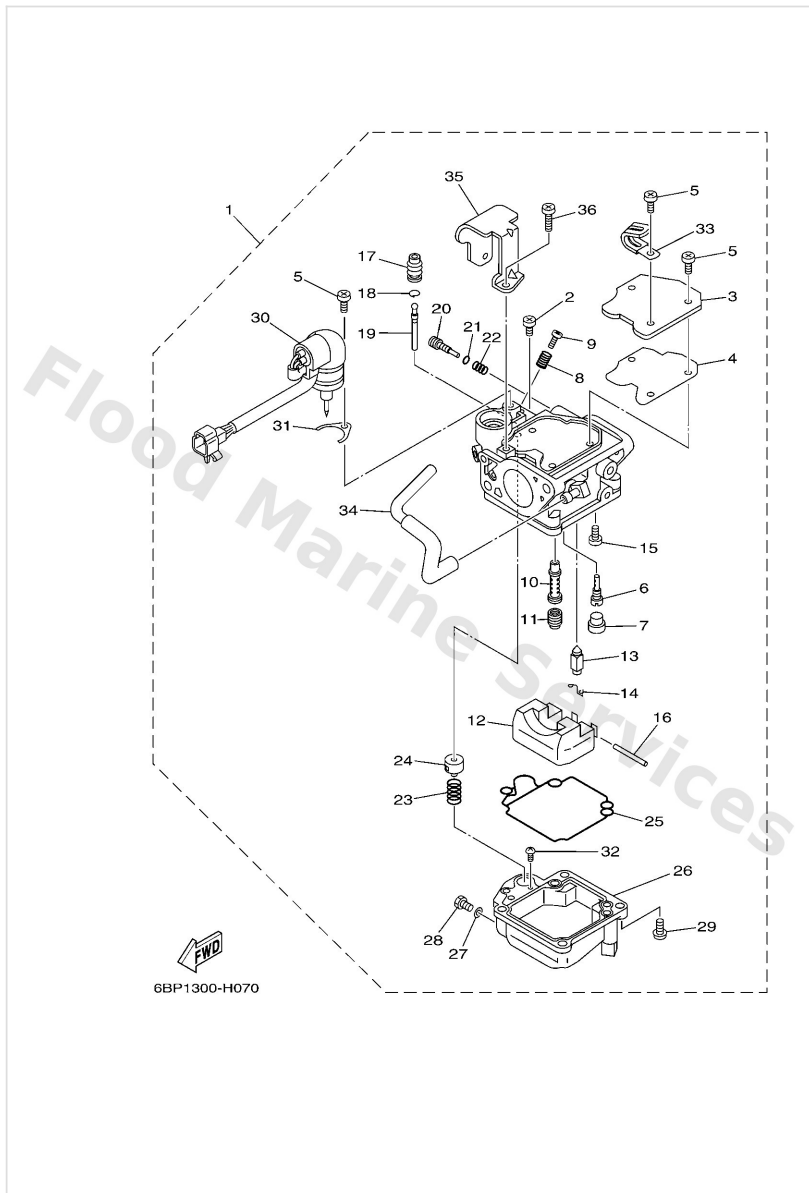
Ref	Part	
25	<a href="#">9017910M33</a> Nut L(21.6")	<a href="#">Buy now</a>
27	<a href="#">63D8212700</a> Wire, lead 2 S(16.6")	<a href="#">Buy now</a>
27	<a href="#">65W8212710</a> Wire, lead 2 L(21.6")	<a href="#">Buy now</a>
28	<a href="#">9788506008</a> Screw, pan head(6a3)	<a href="#">Buy now</a>
29	<a href="#">9018510051</a> Nut, self-locking	<a href="#">Buy now</a>
30	<a href="#">9011610M70</a> Bolt, stud	<a href="#">Buy now</a>
31	<a href="#">6484252800</a> Plate, friction	<a href="#">Buy now</a>
32	<a href="#">65W4337300</a> Seal, damper	<a href="#">Buy now</a>
33	<a href="#">9010508M76</a> Bolt, washer based	<a href="#">Buy now</a>
34	<a href="#">65W4851101</a> Hook, steering	<a href="#">Buy now</a>
35	<a href="#">9020110049</a> Washer, plate	<a href="#">Buy now</a>
35	<a href="#">9299510600</a> Washer, plate	<a href="#">Buy now</a>

# Carburetor



Ref	Part	
1	<a href="#">6BL1430110</a> Carburetor assembly 1	<a href="#">Buy now</a>
2	<a href="#">9858004006</a> Screw, pan head (7h3)	<a href="#">Buy now</a>
3	<a href="#">65W1457200</a> Plate	<a href="#">Buy now</a>
4	<a href="#">65W1412610</a> Gasket	<a href="#">Buy now</a>
5	<a href="#">9780304010</a> Screw, pan head (e56)	<a href="#">Buy now</a>
6	<a href="#">6761494805</a> Jet (#45)	<a href="#">Buy now</a>
7	<a href="#">6791496600</a> Rubber cap	<a href="#">Buy now</a>
8	<a href="#">9050110326</a> Spring coil(663)(carb)	<a href="#">Buy now</a>
9	<a href="#">63V1452300</a> Screw, stop	<a href="#">Buy now</a>
10	<a href="#">65W1494790</a> Jet, needle	<a href="#">Buy now</a>
11	<a href="#">6BL1494328</a> Jet, main (#105)	<a href="#">Buy now</a>
12	<a href="#">63V1498500</a> Float	<a href="#">Buy now</a>
13	<a href="#">6AH1454600</a> Valve, needle	<a href="#">Buy now</a>
14	<a href="#">6631415900</a> Clip	<a href="#">Buy now</a>
15	<a href="#">9858004008</a> Screw, pan head (713)	<a href="#">Buy now</a>

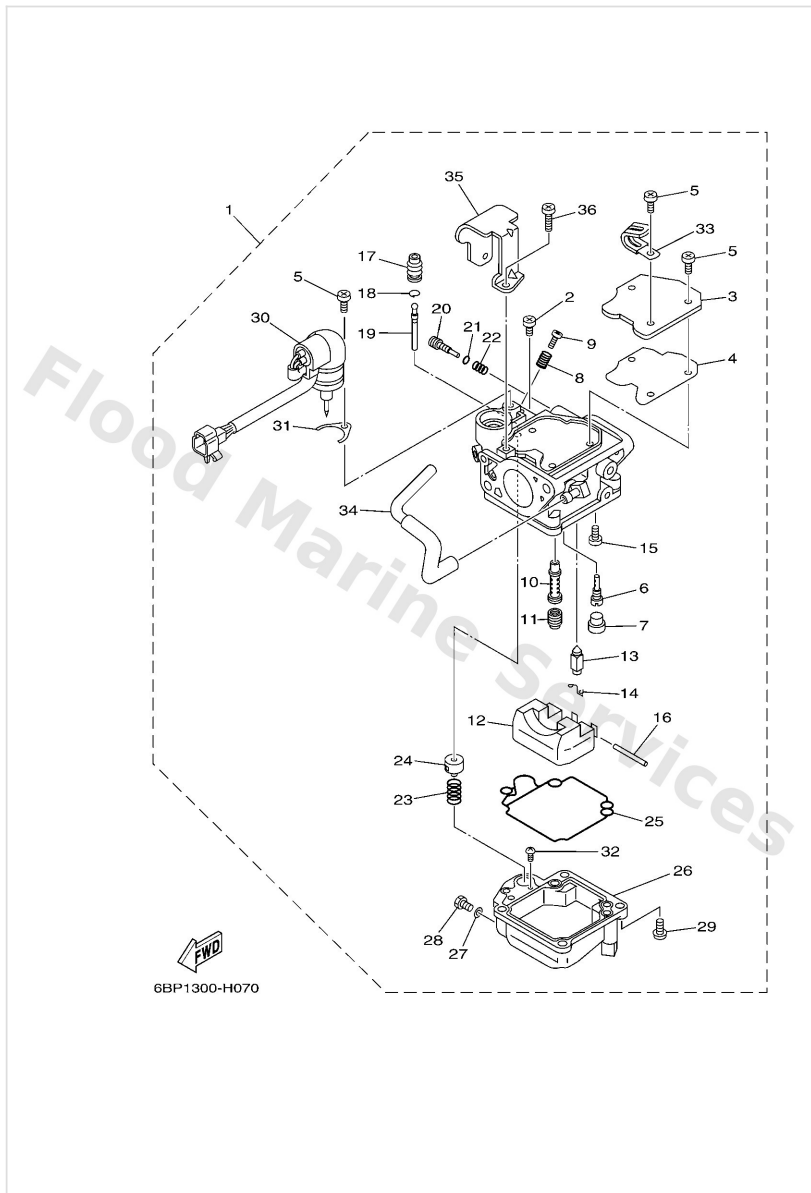
# Carburetor



Ref	Part	
16	<a href="#">6H41454800</a> Pin, float arm	<a href="#">Buy now</a>
17	<a href="#">65W1437302</a> Cover, plunger cap	<a href="#">Buy now</a>
18	<a href="#">65W1439G00</a> Clip 1	<a href="#">Buy now</a>
19	<a href="#">65W1437900</a> Rod, starter	<a href="#">Buy now</a>
20	<a href="#">67C1492320</a> Screw, pilot	<a href="#">Buy now</a>
21	<a href="#">67C1439700</a> O-ring	<a href="#">Buy now</a>
22	<a href="#">67C1455500</a> Spring	<a href="#">Buy now</a>
23	<a href="#">65W1433500</a> Spring, plunger	<a href="#">Buy now</a>
24	<a href="#">65W1437100</a> Plunger, starter	<a href="#">Buy now</a>
25	<a href="#">65W1438400</a> Gasket, float chamber	<a href="#">Buy now</a>
26	<a href="#">65W1498020</a> Body, float chamber	<a href="#">Buy now</a>
27	<a href="#">65W1439800</a> Washer	<a href="#">Buy now</a>
28	<a href="#">65W1499200</a> Screw, drain	<a href="#">Buy now</a>
29	<a href="#">9798004114</a> Screw, pan head(ga5)	<a href="#">Buy now</a>
30	<a href="#">6BL1438000</a> Prime starter assembly	<a href="#">Buy now</a>

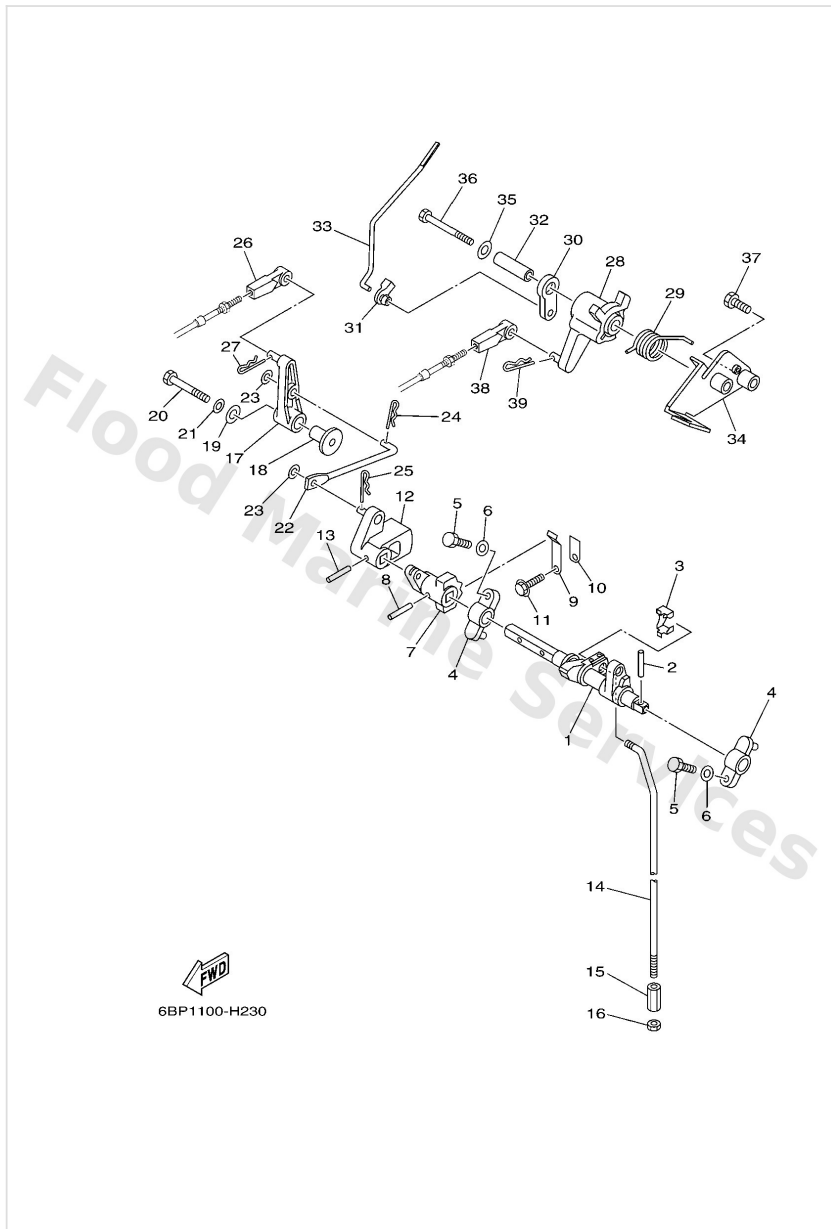


# Carburetor



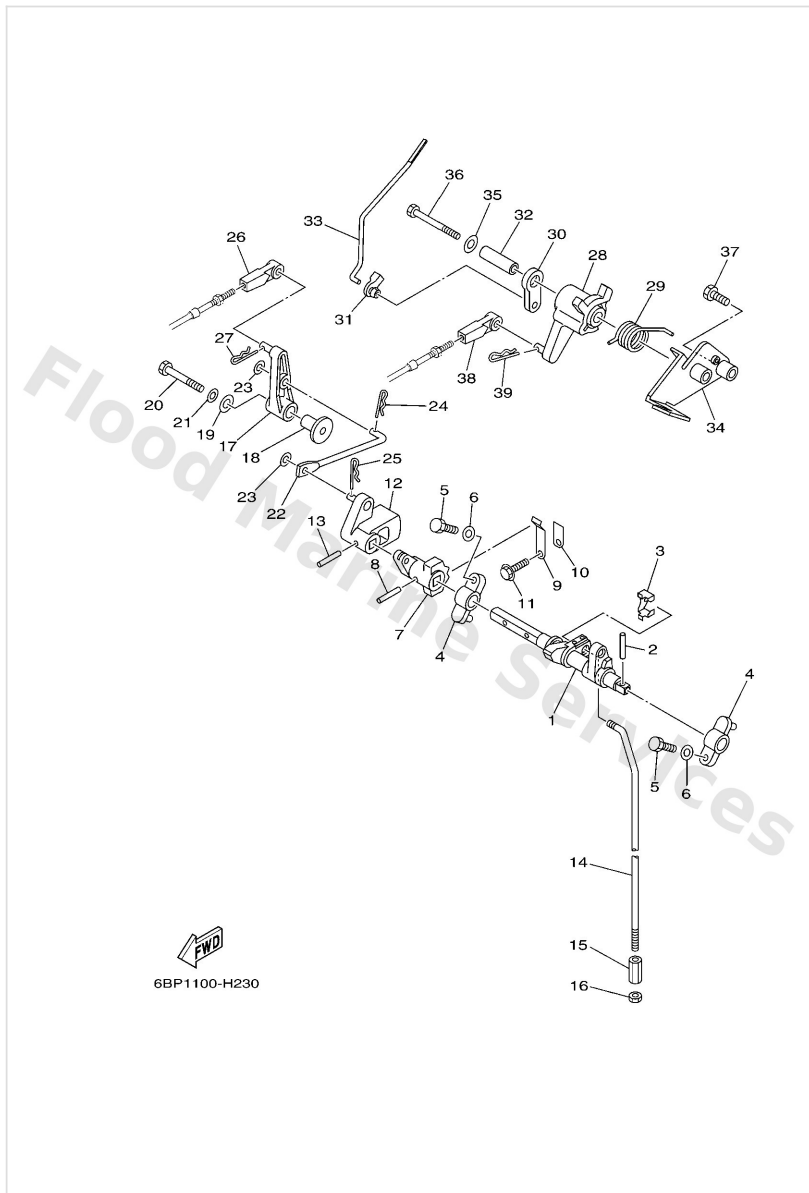
Ref	Part	
31	<a href="#">65W1434600</a> Plate	<a href="#">Buy now</a>
32	<a href="#">67C1456700</a> Screw	<a href="#">Buy now</a>
33	<a href="#">67F1425500</a> Plate	<a href="#">Buy now</a>
34	<a href="#">65W1480700</a> Hose comp.	<a href="#">Buy now</a>
35	<a href="#">6BL1434600</a> Plate	<a href="#">Buy now</a>
36	<a href="#">9798004108</a> Screw, with washer(6m6)	<a href="#">Buy now</a>

# Control 1



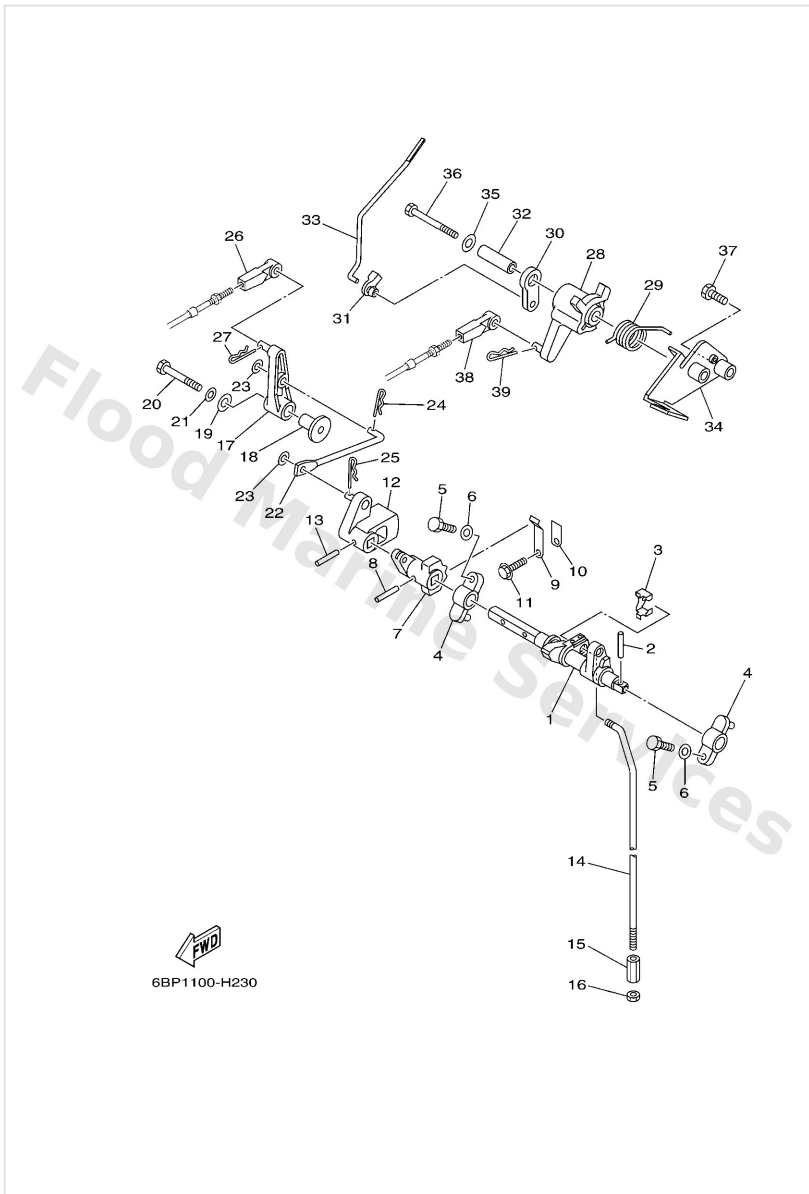
Ref	Part	
1	<a href="#">6BL4412100</a> Lever, shift rod	<a href="#">Buy now</a>
2	<a href="#">9025403M05</a> Pin, spring	<a href="#">Buy now</a>
3	<a href="#">6AH2636400</a> End, cable 2	<a href="#">Buy now</a>
4	<a href="#">6G1416620194</a> Bracket	<a href="#">Buy now</a>
5	<a href="#">9709506020</a> Bolt(7u8)	<a href="#">Buy now</a>
6	<a href="#">9299506600</a> Washer, plain (646)	<a href="#">Buy now</a>
7	<a href="#">6BL4417300</a> Lever, shift control	<a href="#">Buy now</a>
9	<a href="#">65W4411600</a> Spring	<a href="#">Buy now</a>
10	<a href="#">66R4411400</a> Stopper	<a href="#">Buy now</a>
11	<a href="#">9589506014</a> Bolt, flange deep recess	<a href="#">Buy now</a>
12	<a href="#">6BL4414200</a> Joint	<a href="#">Buy now</a>
14	<a href="#">6BP4414300</a> Rod, shift S(16.6")	<a href="#">Buy now</a>
14	<a href="#">6BP4414310</a> Rod, shift L(21.6")	<a href="#">Buy now</a>
15	<a href="#">9017006015</a> Connector, shift rod	<a href="#">Buy now</a>
16	<a href="#">9538006700</a> Nut	<a href="#">Buy now</a>

# Control 1



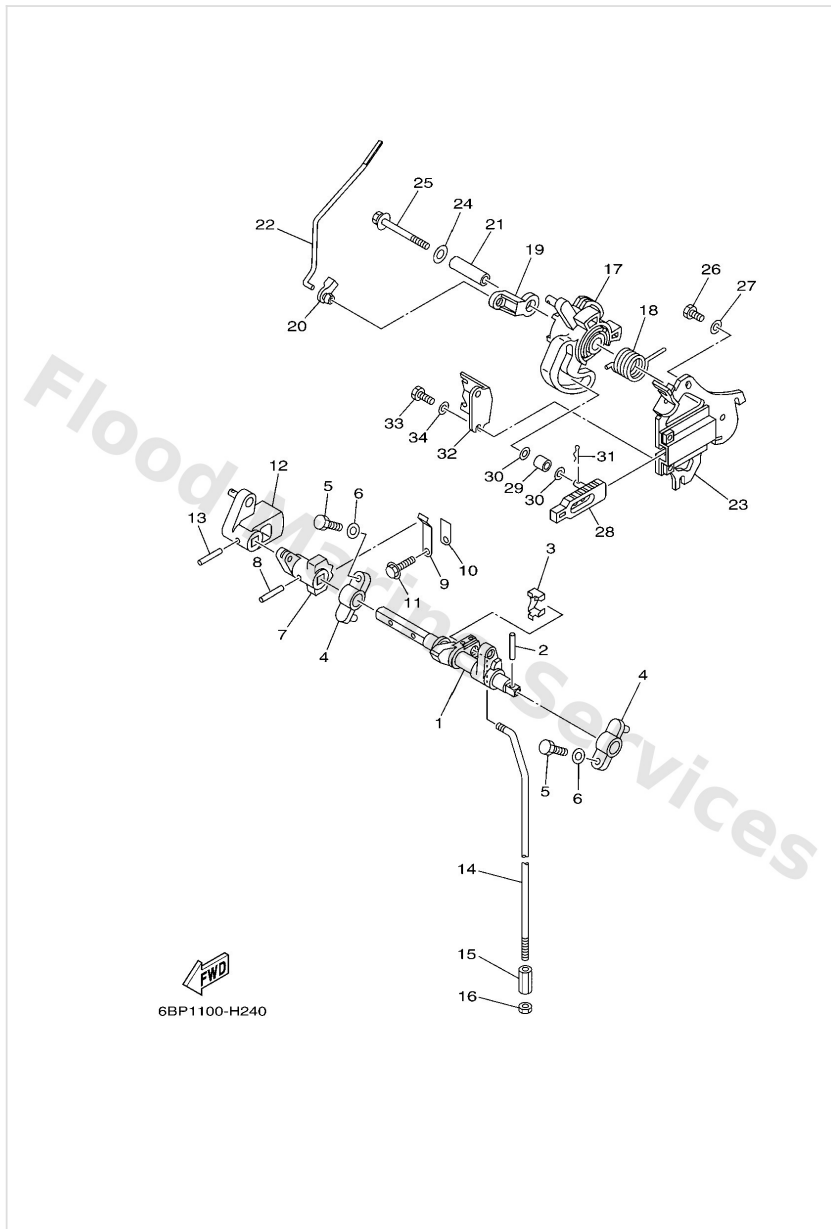
Ref	Part	
17	<a href="#">6BL4412500</a> Lever, shift rod	<a href="#">Buy now</a>
18	<a href="#">9038706M86</a> Collar	<a href="#">Buy now</a>
19	<a href="#">9020106M31</a> Washer (6a0)	<a href="#">Buy now</a>
20	<a href="#">9709506035</a> Bolt(j52)	<a href="#">Buy now</a>
22	<a href="#">6BL4419200</a> Link, shift rod	<a href="#">Buy now</a>
23	<a href="#">9020105M06</a> Washer, plate(61u)	<a href="#">Buy now</a>
24	<a href="#">9046810005</a> Pin, hair 6264123500	<a href="#">Buy now</a>
25	<a href="#">9046818001</a> Clip	<a href="#">Buy now</a>
26	<a href="#">6634834400</a> Cable end, remote control	<a href="#">Buy now</a>
27	<a href="#">9046818008</a> Clip 620436610000	<a href="#">Buy now</a>
28	<a href="#">6BL4163800</a> Pulley	<a href="#">Buy now</a>
29	<a href="#">9050820040</a> Spring, torsion	<a href="#">Buy now</a>
30	<a href="#">65W4128300</a> Lever, free accel.	<a href="#">Buy now</a>
31	<a href="#">6J84126200</a> Joint, choke lever	<a href="#">Buy now</a>
32	<a href="#">9038706139</a> Collar	<a href="#">Buy now</a>

# Control 1



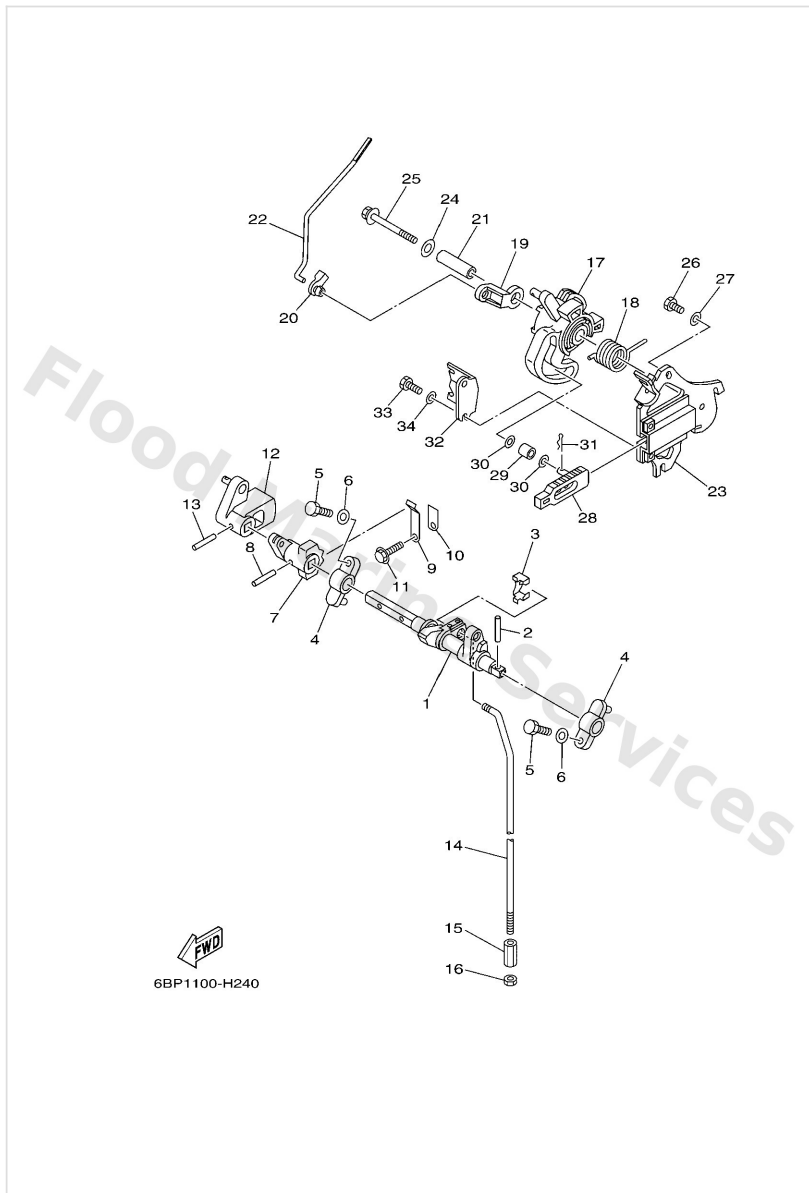
Ref	Part	
33	<a href="#">6BL4121100</a> Link, accel.	<a href="#">Buy now</a>
34	<a href="#">6BL1457110</a> Bracket, throttle	<a href="#">Buy now</a>
36	<a href="#">9709506065</a> Bolt(jn5)	<a href="#">Buy now</a>
37	<a href="#">9709506025</a> Bolt	<a href="#">Buy now</a>

## Control 2



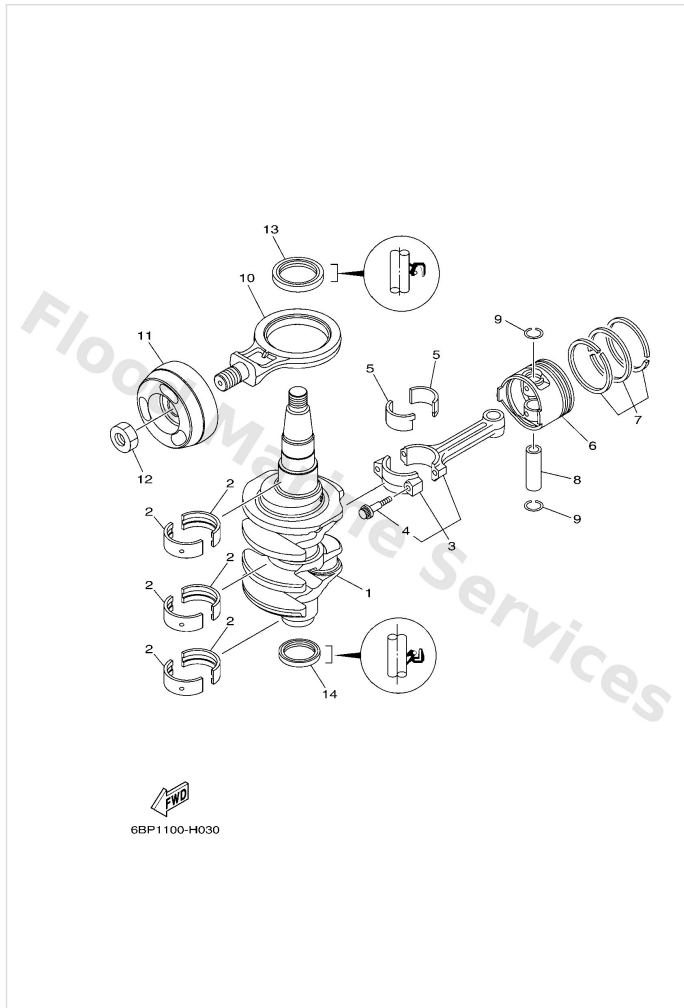
Ref	Part	
1	<a href="#">6BL4412100</a> Lever, shift rod	<a href="#">Buy now</a>
2	<a href="#">9025403M05</a> Pin, spring	<a href="#">Buy now</a>
3	<a href="#">6AH2636400</a> End, cable 2	<a href="#">Buy now</a>
4	<a href="#">6G1416620194</a> Bracket	<a href="#">Buy now</a>
5	<a href="#">9709506020</a> Bolt(7u8)	<a href="#">Buy now</a>
6	<a href="#">9299506600</a> Washer, plain (646)	<a href="#">Buy now</a>
7	<a href="#">6BL4417300</a> Lever, shift control	<a href="#">Buy now</a>
9	<a href="#">65W4411600</a> Spring	<a href="#">Buy now</a>
10	<a href="#">66R4411400</a> Stopper	<a href="#">Buy now</a>
11	<a href="#">9589506014</a> Bolt, flange deep recess	<a href="#">Buy now</a>
12	<a href="#">6BL4414200</a> Joint	<a href="#">Buy now</a>
14	<a href="#">6BP4414300</a> Rod, shift S(16.6")	<a href="#">Buy now</a>
14	<a href="#">6BP4414310</a> Rod, shift L(21.6")	<a href="#">Buy now</a>
15	<a href="#">9017006015</a> Connector, shift rod	<a href="#">Buy now</a>
16	<a href="#">9538006700</a> Nut	<a href="#">Buy now</a>

## Control 2



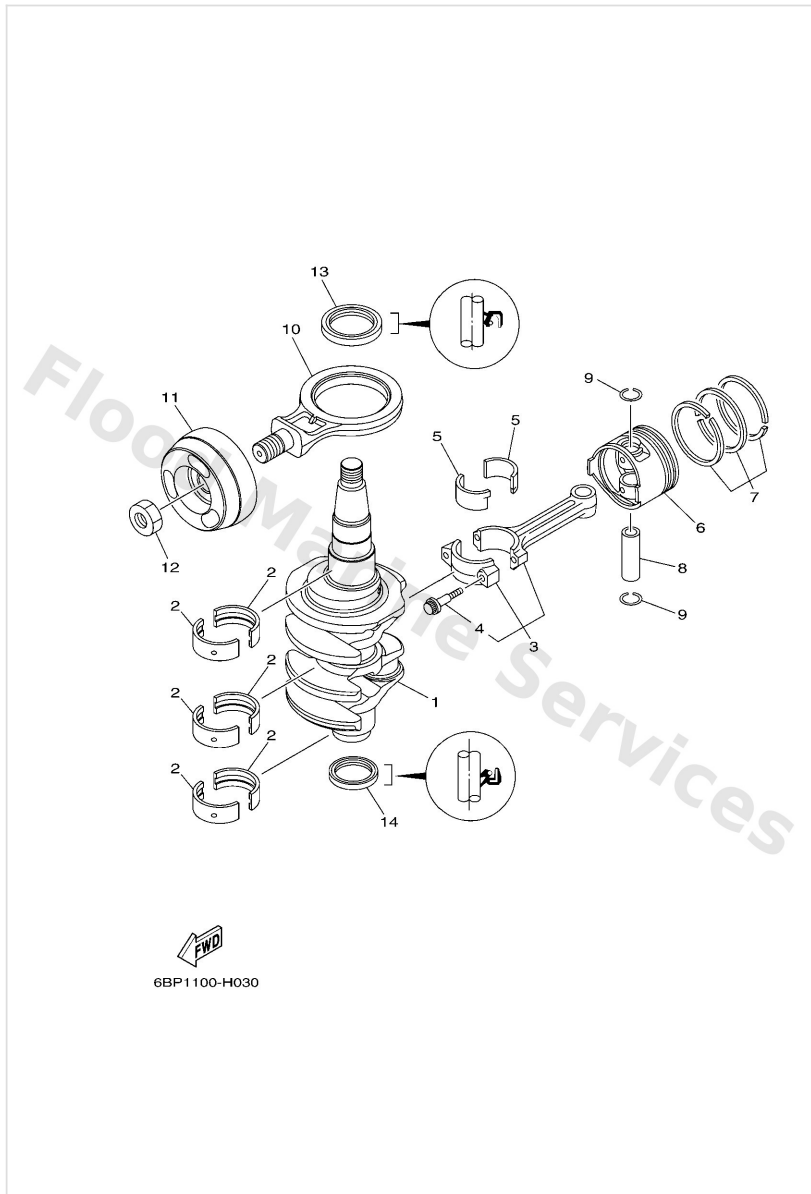
Ref	Part	
17	<a href="#">6AH4163800</a> Pulley	<a href="#">Buy now</a>
18	<a href="#">9050820M44</a> Spring, torsion	<a href="#">Buy now</a>
19	<a href="#">6BL4128300</a> Lever, free accel.	<a href="#">Buy now</a>
20	<a href="#">6J84126200</a> Joint, choke lever	<a href="#">Buy now</a>
21	<a href="#">9038706139</a> Collar	<a href="#">Buy now</a>
22	<a href="#">6BP4121100</a> Link, accel.	<a href="#">Buy now</a>
23	<a href="#">6BL1457100</a> Bracket, throttle	<a href="#">Buy now</a>
24	<a href="#">9020106M31</a> Washer (6a0)	<a href="#">Buy now</a>
25	<a href="#">9759506555</a> Bolt, hexagon w/w deep recess	<a href="#">Buy now</a>
26	<a href="#">9709506014</a> Bolt(gj3)	<a href="#">Buy now</a>
28	<a href="#">6AH4416700</a> Plunger, shift cam	<a href="#">Buy now</a>
29	<a href="#">62Y4217100</a> Bushing	<a href="#">Buy now</a>
30	<a href="#">9020105M04</a> Washer, plate	<a href="#">Buy now</a>
31	<a href="#">9046810005</a> Pin, hair 6264123500	<a href="#">Buy now</a>
32	<a href="#">6AH1449700</a> Stay, throttle wire	<a href="#">Buy now</a>

# Crankshaft & Piston



Ref	Part	
1	<a href="#">6BL1141100</a> Crankshaft	<a href="#">Buy now</a>
2	<a href="#">6BG1141610</a> Plane bearing, crankshaft 1 UR RED	<a href="#">Buy now</a>
2	<a href="#">6BG1141620</a> Plane bearing, crankshaft 1 UR PINK	<a href="#">Buy now</a>
2	<a href="#">6BG1141630</a> Plane bearing, crankshaft 1 UR GREEN	<a href="#">Buy now</a>
3	<a href="#">6C51165000</a> Connecting rod assembly	<a href="#">Buy now</a>
4	<a href="#">6C51165400</a> Bolt, connecting rod	<a href="#">Buy now</a>
5	<a href="#">6CJ1165610</a> Plane bearing, connecting rod UR RED	<a href="#">Buy now</a>
5	<a href="#">6CJ1165620</a> Plane bearing, connecting rod UR PINK	<a href="#">Buy now</a>
5	<a href="#">6CJ1165630</a> Plane bearing, connecting rod UR GREEN	<a href="#">Buy now</a>
6	<a href="#">69W116310197</a> Piston (std)	<a href="#">Buy now</a>
6	<a href="#">69W1163501</a> Piston (0.25mm o/s) AP	<a href="#">Buy now</a>
6	<a href="#">69W1163601</a> Piston (0.50mm o/s) AP	<a href="#">Buy now</a>
7	<a href="#">67C1160300</a> Piston ring set (std)	<a href="#">Buy now</a>
7	<a href="#">67C1160400</a> Piston ring set (0.25mm o/s) AP	<a href="#">Buy now</a>
7	<a href="#">67C1160500</a> Piston ring set (0.50mm o/s) AP	<a href="#">Buy now</a>

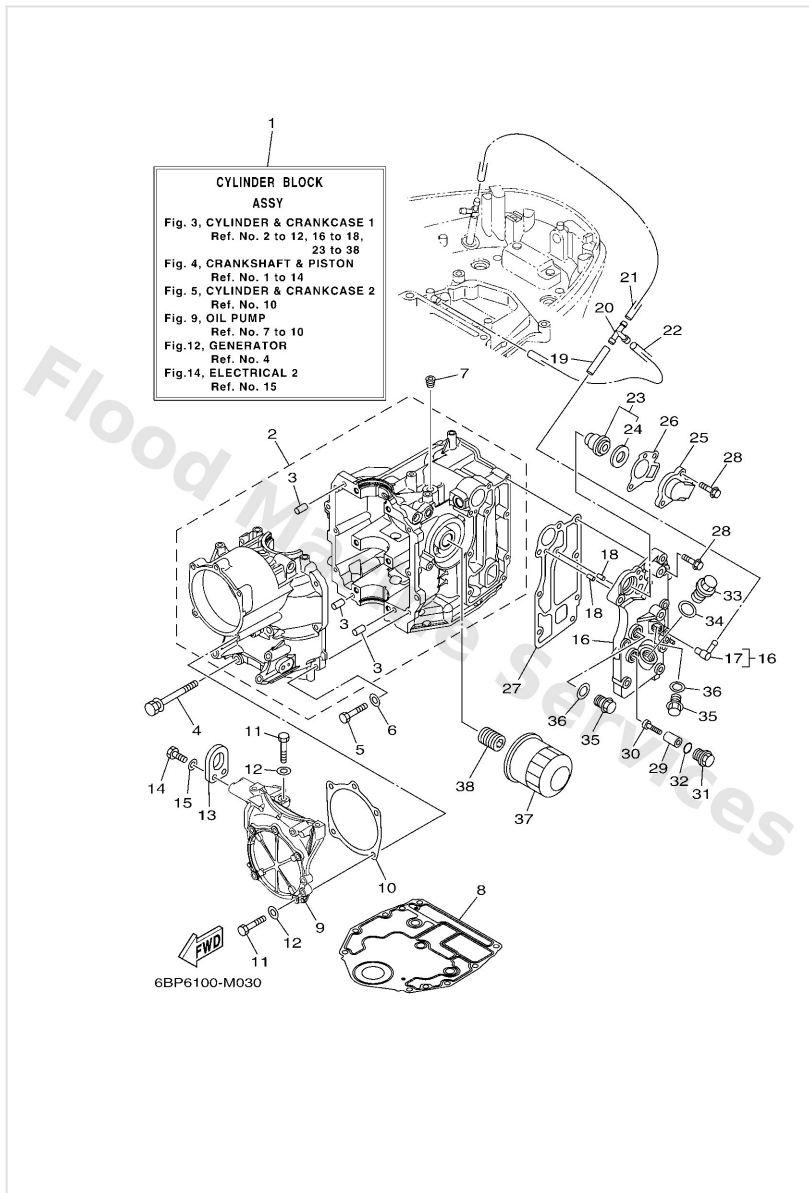
# Crankshaft & Piston



Ref	Part	
8	<a href="#">62Y1163300</a> Pin, piston	<a href="#">Buy now</a>
9	<a href="#">9345017129</a> Circlip(1ar)	<a href="#">Buy now</a>
10	<a href="#">6BL1166500</a> Connecting rod assembly 3	<a href="#">Buy now</a>
11	<a href="#">6BL1164200</a> Piston 2 (std)	<a href="#">Buy now</a>
12	<a href="#">9017020137</a> Nut, hexagon(663)	<a href="#">Buy now</a>
13	<a href="#">9310243M42</a> Oil seal(62y)	<a href="#">Buy now</a>
14	<a href="#">9310135002</a> Oil seal	<a href="#">Buy now</a>

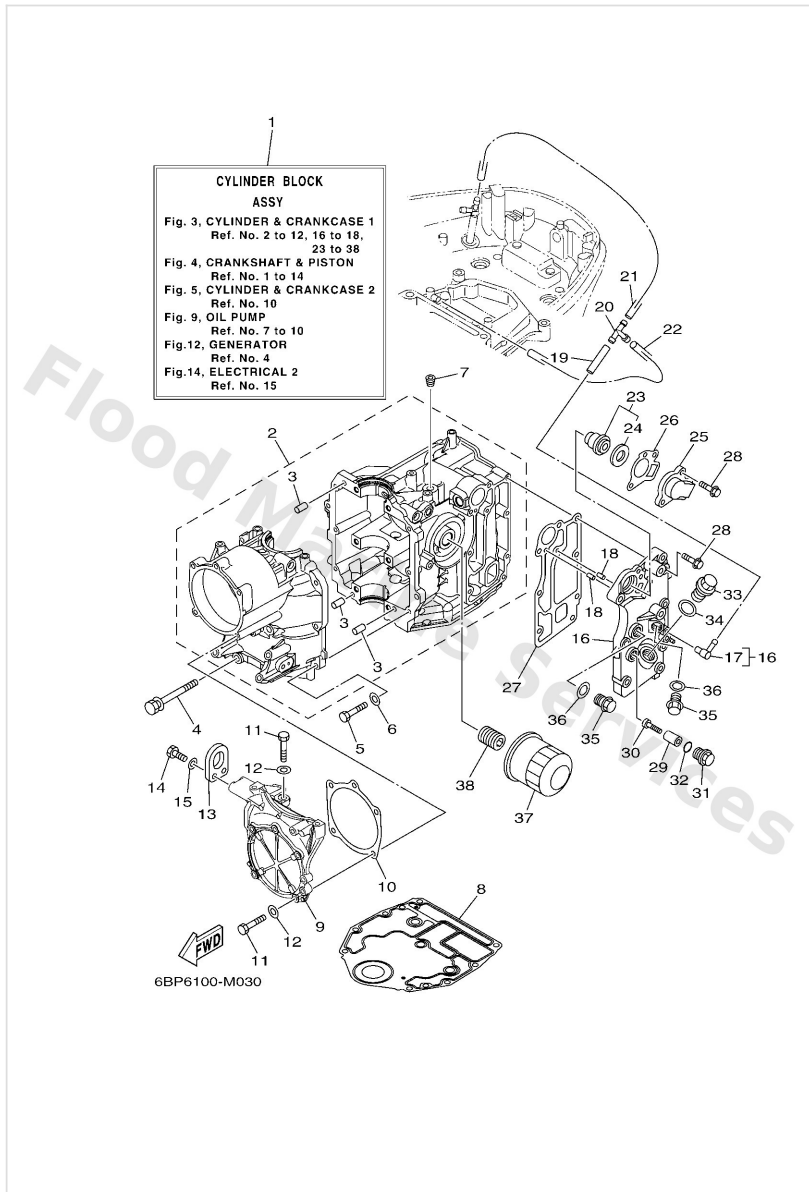


# Cylinder & Crankcase 1



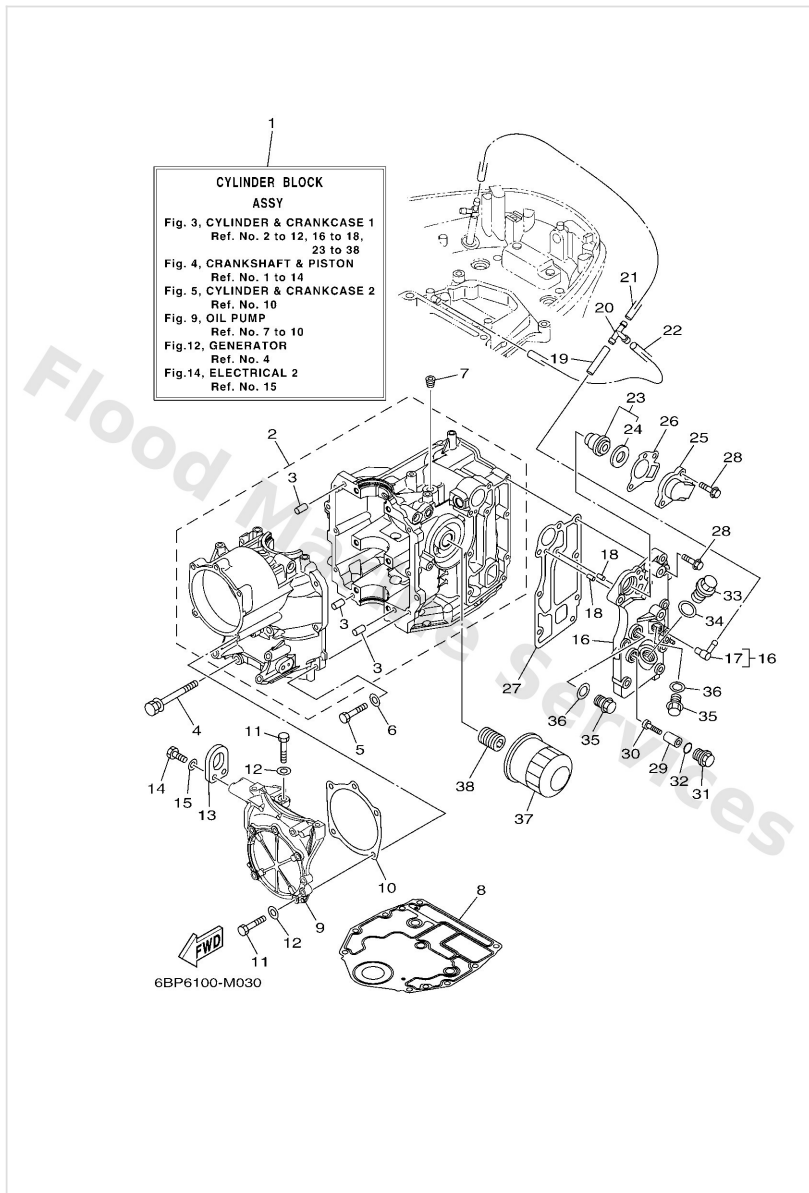
Ref	Part	
1	<a href="#">6BLW009B011S</a> Cylinder block assembly	<a href="#">Buy now</a>
2	<a href="#">6BL1510002</a> Crankcase assembly	<a href="#">Buy now</a>
3	<a href="#">9360612019</a> Pin, dowel (614)	<a href="#">Buy now</a>
4	<a href="#">9011908M01</a> Bolt, with washer(62y)	<a href="#">Buy now</a>
5	<a href="#">9701306025</a> Bolt(62y)	<a href="#">Buy now</a>
6	<a href="#">9290306600</a> Washer, plain (646)	<a href="#">Buy now</a>
7	<a href="#">9034451003</a> Plug, taper screw	<a href="#">Buy now</a>
8	<a href="#">6BG1135100</a> Gasket, cylinder	<a href="#">Buy now</a>
9	<a href="#">6BL15121001S</a> Crankcase 2	<a href="#">Buy now</a>
10	<a href="#">6BL1566300</a> Seal	<a href="#">Buy now</a>
13	<a href="#">62Y1111900</a> Hanger, engine	<a href="#">Buy now</a>
14	<a href="#">9709506020</a> Bolt(7u8)	<a href="#">Buy now</a>
15	<a href="#">9299506600</a> Washer, plain (646)	<a href="#">Buy now</a>
16	<a href="#">6BL41113001S</a> Outer cover, exhaust & pipe	<a href="#">Buy now</a>
17	<a href="#">6761137200</a> Nipple, hose	<a href="#">Buy now</a>

# Cylinder & Crankcase 1



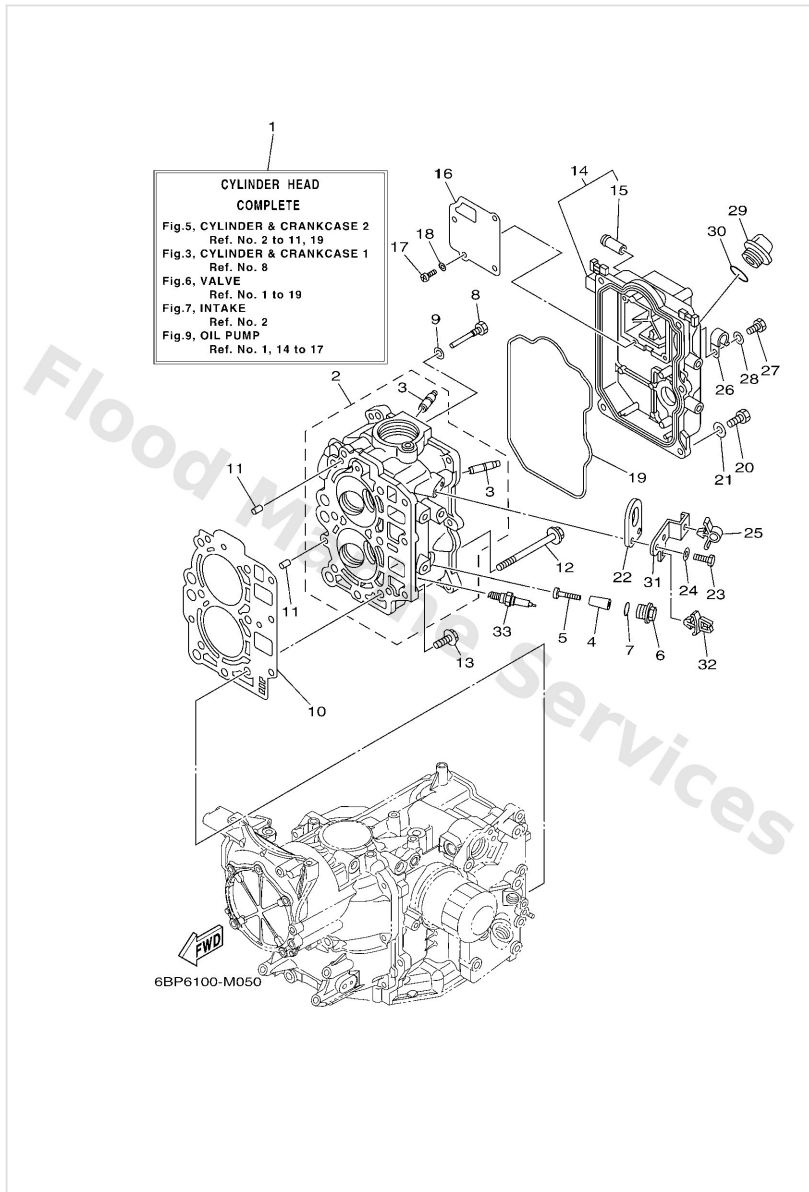
Ref	Part	
18	<a href="#">9360410M03</a> Pin, dowel (688)	<a href="#">Buy now</a>
19	<a href="#">9044509057</a> Hose (I180)	<a href="#">Buy now</a>
20	<a href="#">6882437800</a> Pipe, joint	<a href="#">Buy now</a>
21	<a href="#">9044509251</a> Hose (I420)	<a href="#">Buy now</a>
22	<a href="#">9044509104</a> Hose (I1500)	<a href="#">Buy now</a>
23	<a href="#">6G81241103</a> Thermostat	<a href="#">Buy now</a>
24	<a href="#">6881241200</a> Seal, thermostat	<a href="#">Buy now</a>
25	<a href="#">6C512413009S</a> Cover, thermostat	<a href="#">Buy now</a>
26	<a href="#">62Y1241400</a> Gasket, cover	<a href="#">Buy now</a>
27	<a href="#">6BL4111400</a> Gasket, exhaust outer cover	<a href="#">Buy now</a>
28	<a href="#">9011906MA5</a> Bolt, with washer	<a href="#">Buy now</a>
29	<a href="#">6G81132500</a> Anode	<a href="#">Buy now</a>
30	<a href="#">9788005025</a> Screw, panhead (a93)	<a href="#">Buy now</a>
31	<a href="#">6G81119701</a> Plug, blind	<a href="#">Buy now</a>
32	<a href="#">9321013M63</a> O-ring (6g8)	<a href="#">Buy now</a>

# Cylinder & Crankcase 1



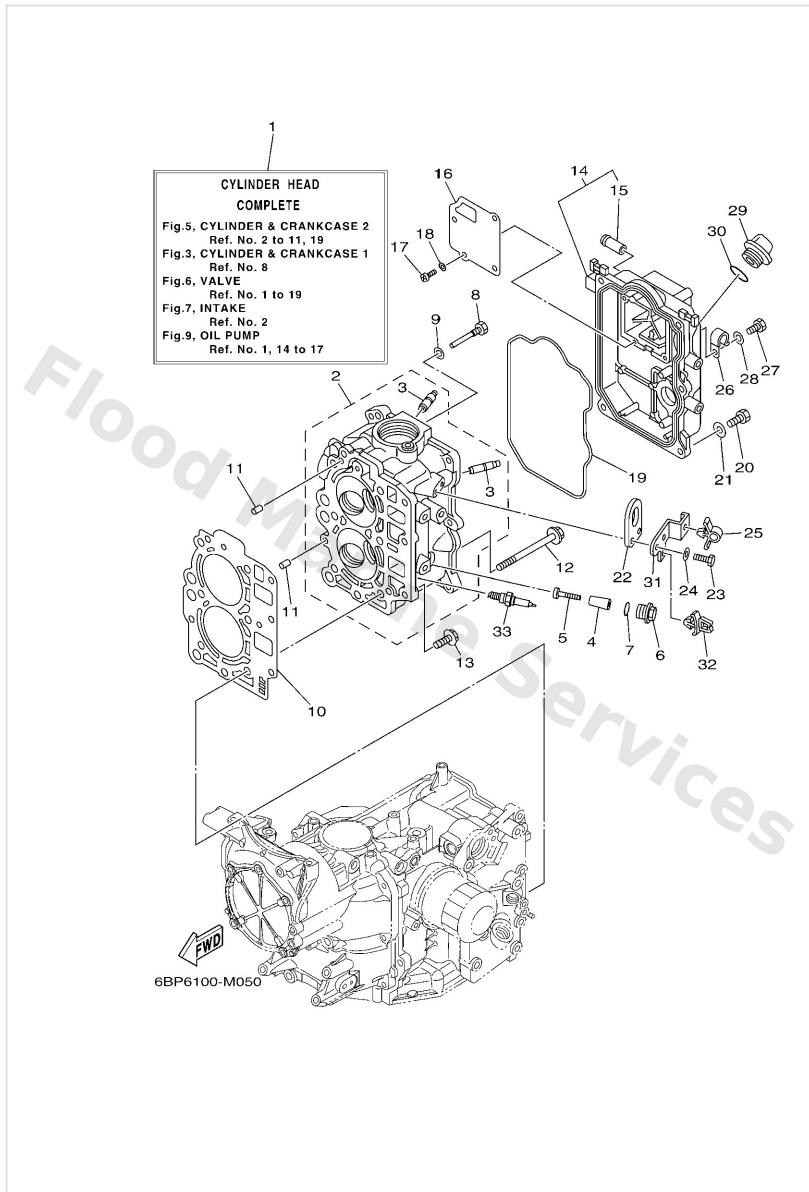
Ref	Part	
33	<a href="#">9034018M09</a> Plug, straight screw	<a href="#">Buy now</a>
34	<a href="#">9043018130</a> Gasket (1j7)	<a href="#">Buy now</a>
35	<a href="#">9034014M06</a> Plug, straight screw(62y)	<a href="#">Buy now</a>
36	<a href="#">9043014115</a> Gasket (663)	<a href="#">Buy now</a>
37	<a href="#">5GH1344050</a> Element assembly, oil cleaner	<a href="#">Buy now</a>
38	<a href="#">6C51285800</a> Bolt, union	<a href="#">Buy now</a>

# Cylinder & Crankcase 2



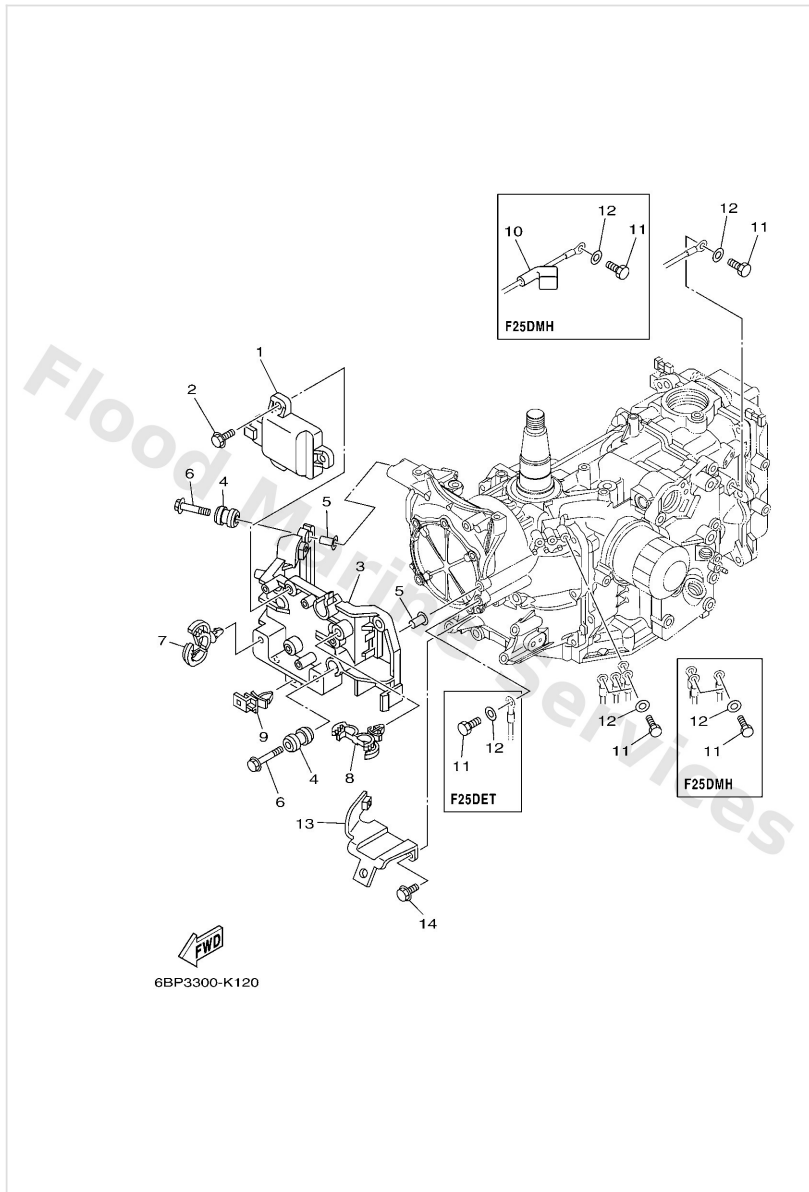
Ref	Part	
1	<a href="#">6BLW009A011S</a> Cylinder head complete	<a href="#">Buy now</a>
2	<a href="#">6BL1111101S</a> Head, cylinder 1	<a href="#">Buy now</a>
3	<a href="#">62Y1113330</a> Guide, valve 1	<a href="#">Buy now</a>
4	<a href="#">6BL1132500</a> Anode	<a href="#">Buy now</a>
5	<a href="#">9898005035</a> Screw, bind	<a href="#">Buy now</a>
6	<a href="#">6G81119701</a> Plug, blind	<a href="#">Buy now</a>
7	<a href="#">9321013M63</a> O-ring (6g8)	<a href="#">Buy now</a>
8	<a href="#">9010906M65</a> Bolt(62y)	<a href="#">Buy now</a>
9	<a href="#">9043006014</a> Gasket 256113960000	<a href="#">Buy now</a>
10	<a href="#">6BL1118100</a> Gasket, cylinder head 1	<a href="#">Buy now</a>
11	<a href="#">9360612019</a> Pin, dowel (614)	<a href="#">Buy now</a>
12	<a href="#">9010509009</a> Bolt, flange	<a href="#">Buy now</a>
13	<a href="#">9011906MA3</a> Bolt, with washer	<a href="#">Buy now</a>
14	<a href="#">6BL11191001S</a> Cover, cylinder head 1	<a href="#">Buy now</a>
15	<a href="#">62Y1448500</a> Pipe, joint	<a href="#">Buy now</a>

# Cylinder & Crankcase 2



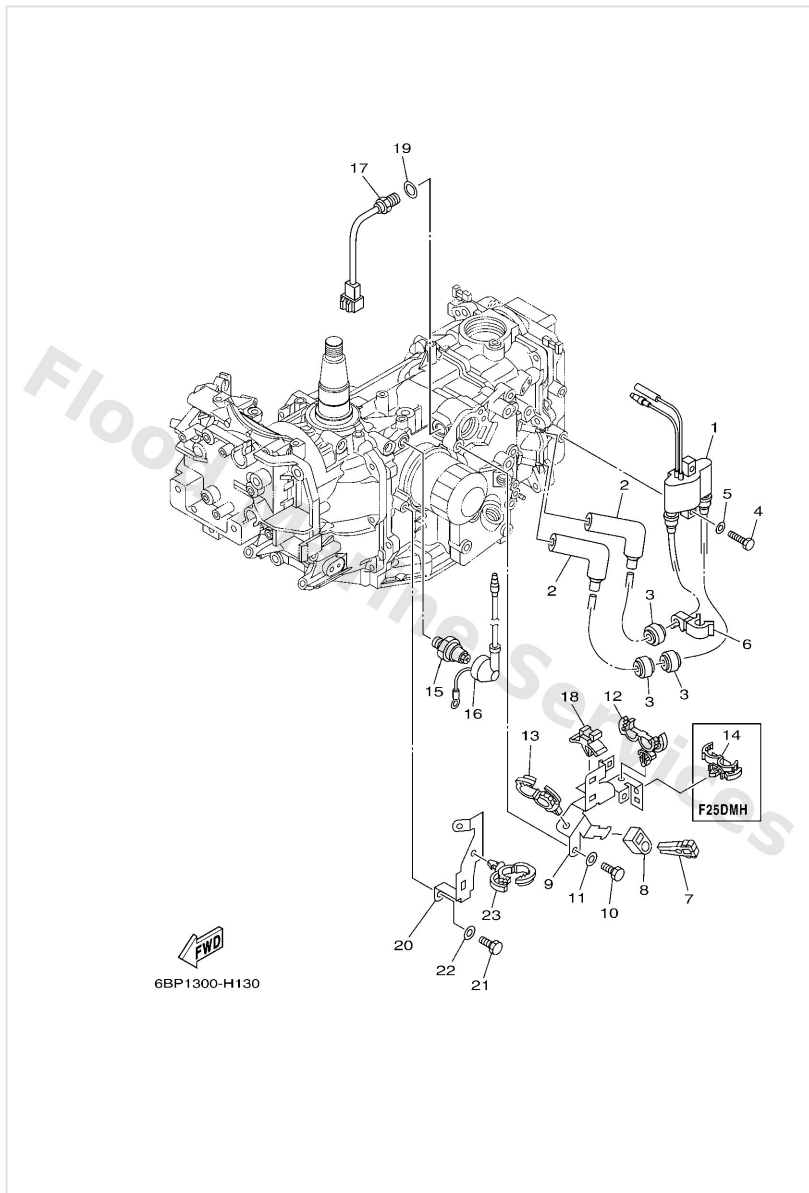
Ref	Part	
16	<a href="#">6BG1116800</a> Cover, breather	<a href="#">Buy now</a>
17	<a href="#">9850704010</a> Screw, pan head(6g8)	<a href="#">Buy now</a>
18	<a href="#">9290704600</a> Washer(jf2)	<a href="#">Buy now</a>
19	<a href="#">6BL1135600</a> Seal, cylinder 2	<a href="#">Buy now</a>
20	<a href="#">9709506020</a> Bolt(7u8)	<a href="#">Buy now</a>
21	<a href="#">9299506600</a> Washer, plain (646)	<a href="#">Buy now</a>
22	<a href="#">62Y1111900</a> Hanger, engine	<a href="#">Buy now</a>
25	<a href="#">9046409023</a> Clamp	<a href="#">Buy now</a>
26	<a href="#">9046508M83</a> Clamp	<a href="#">Buy now</a>
27	<a href="#">9709506012</a> Bolt(gh1)	<a href="#">Buy now</a>
29	<a href="#">6G81536300</a> Plug, oil	<a href="#">Buy now</a>
30	<a href="#">9321024M79</a> O-ring	<a href="#">Buy now</a>
31	<a href="#">6BL8239800</a> Plate 3	<a href="#">Buy now</a>
32	<a href="#">9046406001</a> Clamp	<a href="#">Buy now</a>
33	<a href="#">9470200418</a> Plug, spark (dpr6eb-9)	<a href="#">Buy now</a>

# Electrical 1



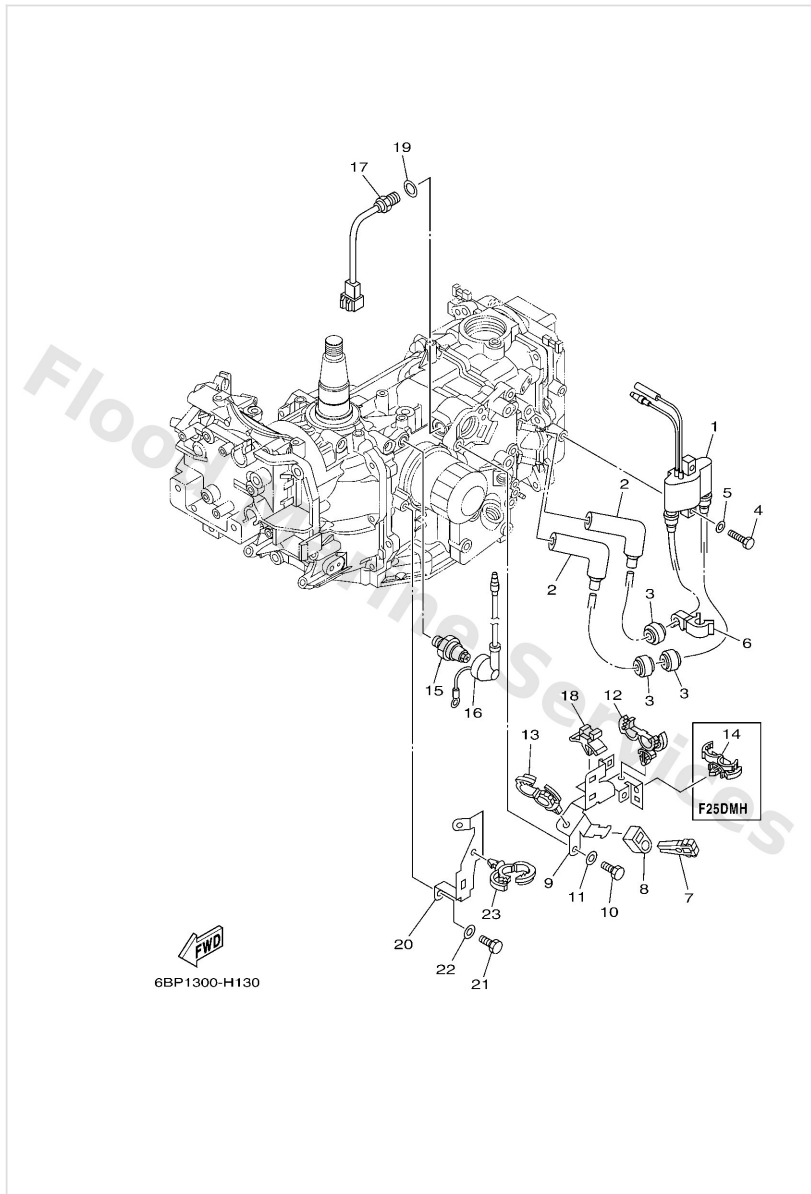
Ref	Part	
1	<a href="#">6BL8554000</a> C.d.i. unit assembly	<a href="#">Buy now</a>
2	<a href="#">9757506520</a> Bolt, hexagon w/w deep recess	<a href="#">Buy now</a>
3	<a href="#">6BL8194800</a> Bracket	<a href="#">Buy now</a>
4	<a href="#">6A08231700</a> Damper, ignition coil	<a href="#">Buy now</a>
5	<a href="#">9038706119</a> Collar	<a href="#">Buy now</a>
6	<a href="#">9589506030</a> Bolt, flange deep recess	<a href="#">Buy now</a>
7	<a href="#">9046412183</a> Clamp(jn2)	<a href="#">Buy now</a>
7	<a href="#">9046413249</a> Clamp	<a href="#">Buy now</a>
8	<a href="#">9046418246</a> Clamp(4tr)	<a href="#">Buy now</a>
9	<a href="#">9046412002</a> Clamp	<a href="#">Buy now</a>
10	<a href="#">6BL8211900</a> Cover, lead wire	<a href="#">Buy now</a>
11	<a href="#">9709506016</a> Bolt, hexagon deep recess	<a href="#">Buy now</a>
12	<a href="#">9299506600</a> Washer, plain (646)	<a href="#">Buy now</a>
13	<a href="#">6BL8255400</a> Stay, neutral switch	<a href="#">Buy now</a>
14	<a href="#">9589506014</a> Bolt, flange deep recess	<a href="#">Buy now</a>

## Electrical 2



Ref	Part	
1	<a href="#">6F58557013</a> Ignition coil assembly	<a href="#">Buy now</a>
2	<a href="#">6AH8237000</a> Plug cap assembly	<a href="#">Buy now</a>
3	<a href="#">9048025003</a> Grommet	<a href="#">Buy now</a>
4	<a href="#">9709506025</a> Bolt	<a href="#">Buy now</a>
5	<a href="#">9299506600</a> Washer, plain (646)	<a href="#">Buy now</a>
6	<a href="#">9046409018</a> Clamp	<a href="#">Buy now</a>
7	<a href="#">67F2812A00</a> Puller, fuse	<a href="#">Buy now</a>
8	<a href="#">67C8215500</a> Band	<a href="#">Buy now</a>
9	<a href="#">6BL8339X00</a> Clamp, cord	<a href="#">Buy now</a>
10	<a href="#">9709506016</a> Bolt, hexagon deep recess	<a href="#">Buy now</a>
12	<a href="#">9046418246</a> Clamp(4tr)	<a href="#">Buy now</a>
13	<a href="#">9046420181</a> Clamp(4ap)	<a href="#">Buy now</a>
15	<a href="#">64J8250400</a> Oil pressure switch assembly	<a href="#">Buy now</a>
16	<a href="#">68V8131500</a> Lead wire assembly	<a href="#">Buy now</a>
17	<a href="#">6CJ8579000</a> Thermosensor assembly	<a href="#">Buy now</a>

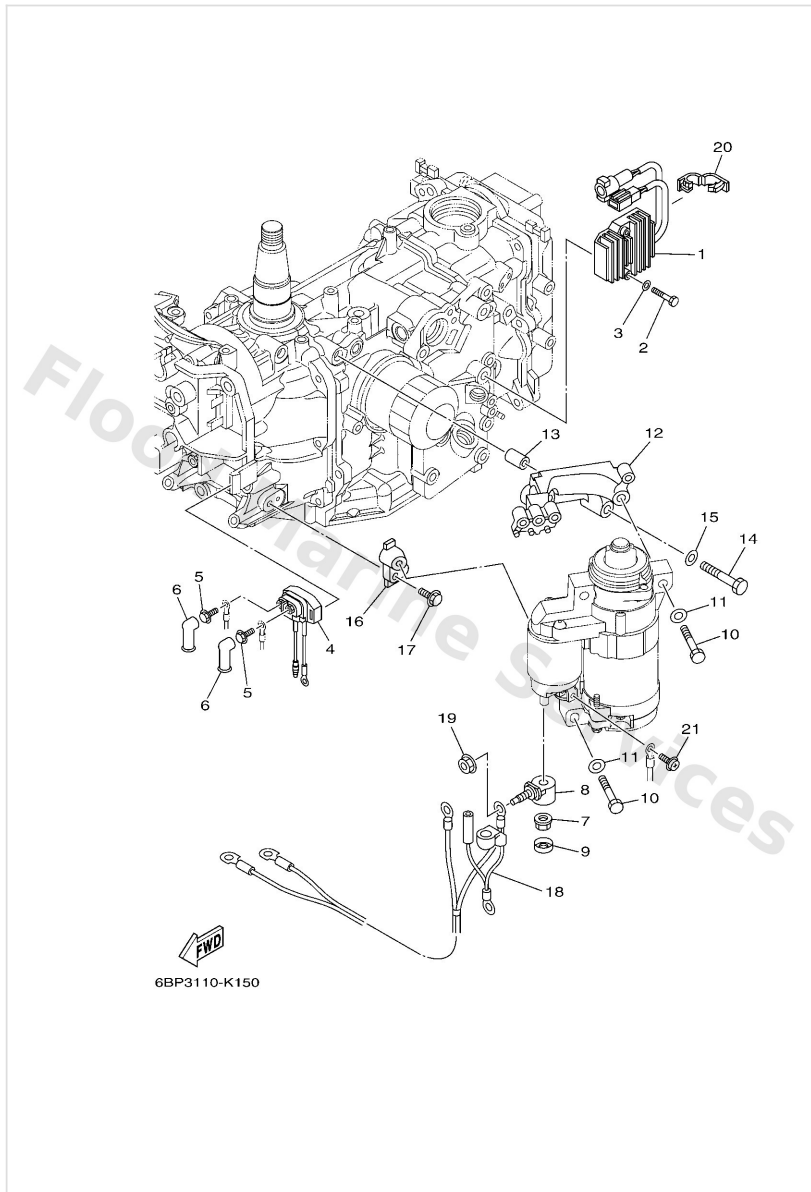
# Electrical 2



Ref	Part	
18	<a href="#">9046409M47</a> Clamp(65j)	<a href="#">Buy now</a>
19	<a href="#">9043014115</a> Gasket (663)	<a href="#">Buy now</a>
20	<a href="#">6BL8238900</a> Plate 2	<a href="#">Buy now</a>

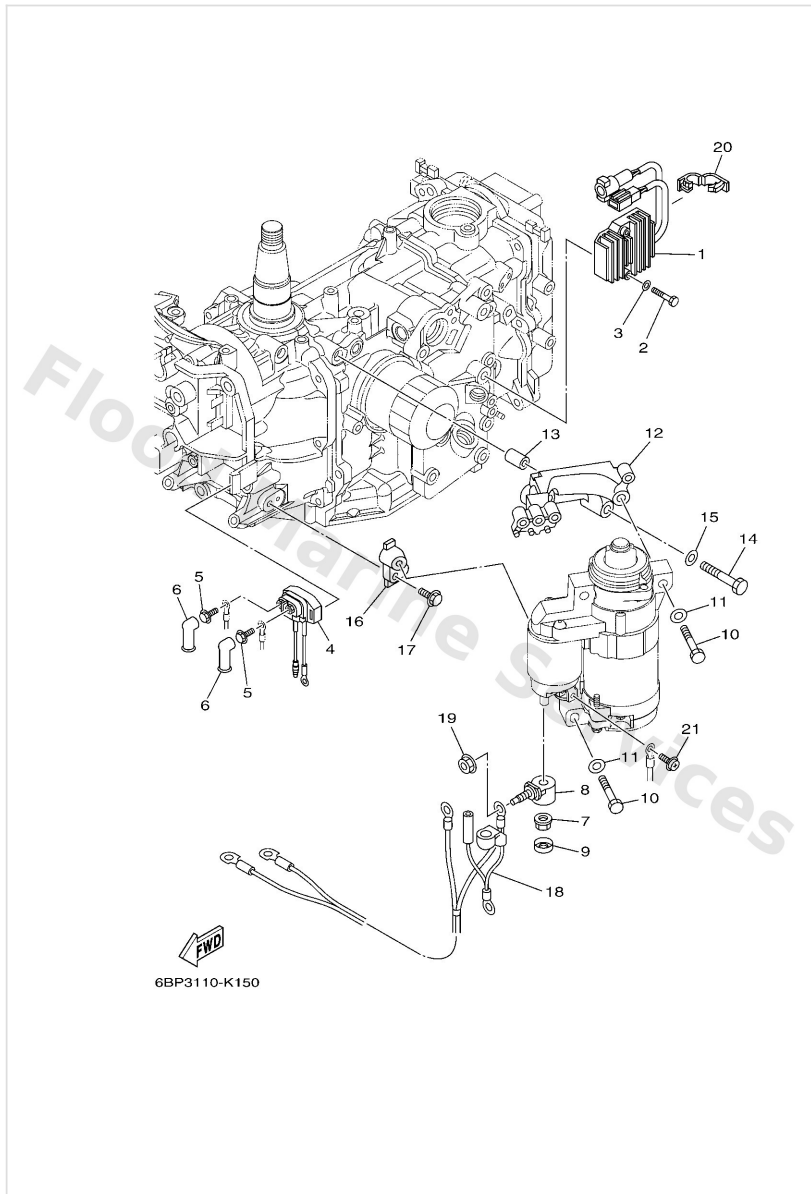


# Electrical 3



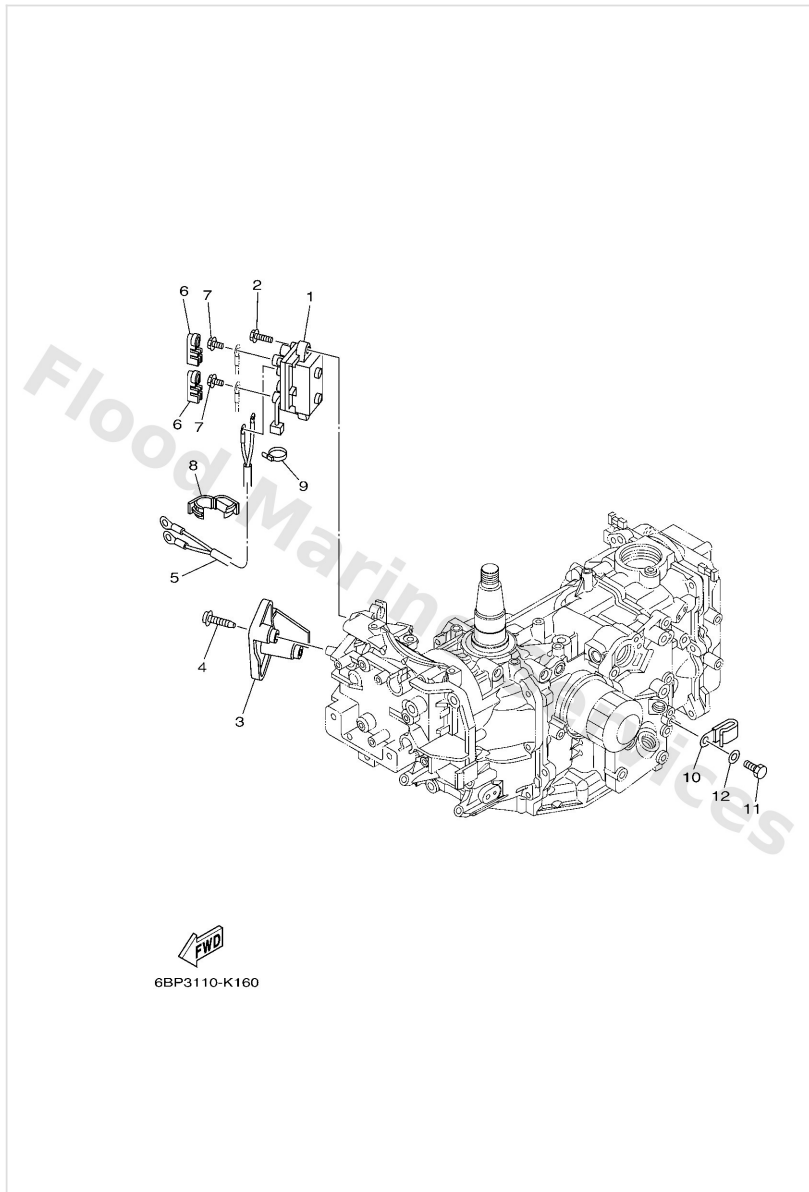
Ref	Part	
1	<a href="#">6BL8196000</a> Rectifier & regulator assembly	<a href="#">Buy now</a>
2	<a href="#">9709506040</a> Bolt (682)	<a href="#">Buy now</a>
3	<a href="#">9299506600</a> Washer, plain (646)	<a href="#">Buy now</a>
4	<a href="#">68T8194000</a> Starter relay assembly	<a href="#">Buy now</a>
5	<a href="#">9759506610</a> Bolt, hexagon w/w deep recess	<a href="#">Buy now</a>
6	<a href="#">6G58211910</a> Cover, lead wire	<a href="#">Buy now</a>
7	<a href="#">6BL8182A00</a> Nut	<a href="#">Buy now</a>
8	<a href="#">6BL8192500</a> Terminal	<a href="#">Buy now</a>
9	<a href="#">6BL8183X00</a> Cap, terminal	<a href="#">Buy now</a>
10	<a href="#">9701308045</a> Bolt	<a href="#">Buy now</a>
11	<a href="#">9290308600</a> Washer, plain (663)	<a href="#">Buy now</a>
12	<a href="#">6BL8182200</a> Bracket, starting motor	<a href="#">Buy now</a>
13	<a href="#">9959010114</a> Pin, dowel	<a href="#">Buy now</a>
16	<a href="#">6BL8182300</a> Stay, starting motor	<a href="#">Buy now</a>
17	<a href="#">9757506520</a> Bolt, hexagon w/w deep recess	<a href="#">Buy now</a>

# Electrical 3



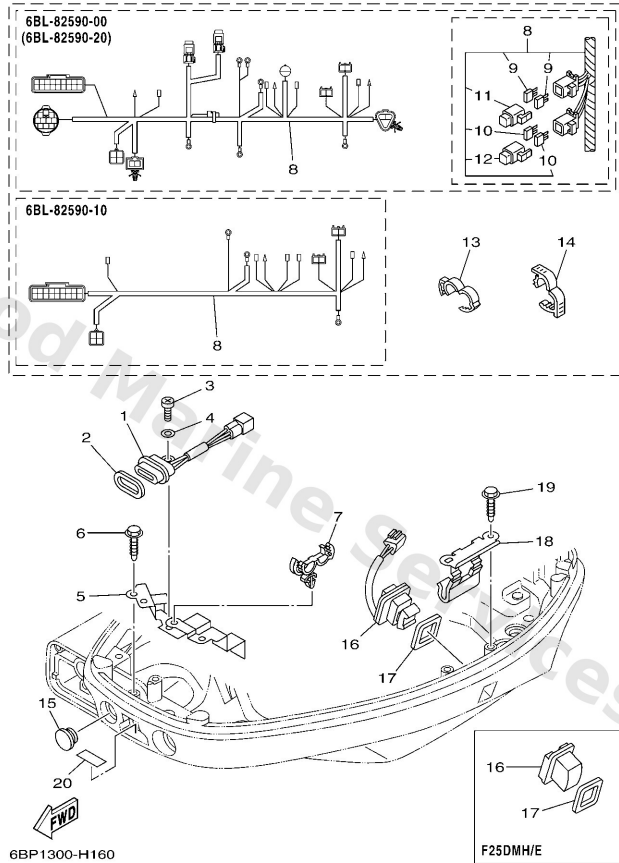
Ref	Part	
18	<a href="#">6BL8210500</a> Battery cable	<a href="#">Buy now</a>
19	<a href="#">9017908003</a> Nut	<a href="#">Buy now</a>
20	<a href="#">9046418004</a> Clamp	<a href="#">Buy now</a>
21	<a href="#">9015905M12</a> Screw, with washer(6t4)	<a href="#">Buy now</a>

# Electrical 4



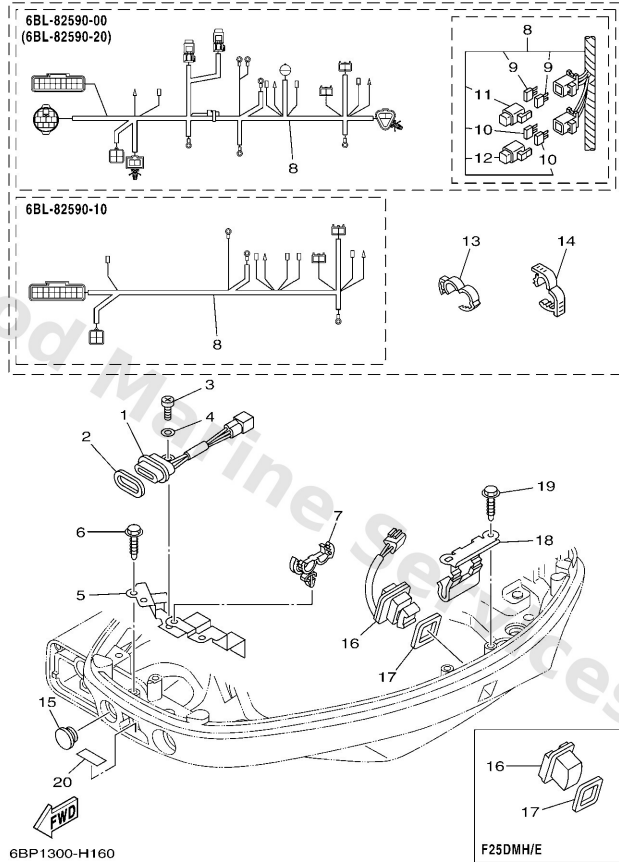
Ref	Part	
1	<a href="#">63P8195000</a> Relay assembly	<a href="#">Buy now</a>
2	<a href="#">9757506520</a> Bolt, hexagon w/w deep recess	<a href="#">Buy now</a>
3	<a href="#">6BL8194200</a> Cover	<a href="#">Buy now</a>
4	<a href="#">9016705009</a> Screw, tapping	<a href="#">Buy now</a>
5	<a href="#">6BL8194900</a> Wire, lead	<a href="#">Buy now</a>
6	<a href="#">6P28183X00</a> Cap, terminal	<a href="#">Buy now</a>
7	<a href="#">9759506610</a> Bolt, hexagon w/w deep recess	<a href="#">Buy now</a>
8	<a href="#">9046418004</a> Clamp	<a href="#">Buy now</a>
9	<a href="#">9046511M10</a> Clamp	<a href="#">Buy now</a>
10	<a href="#">9046506M90</a> Clamp	<a href="#">Buy now</a>
11	<a href="#">9709506016</a> Bolt, hexagon deep recess	<a href="#">Buy now</a>
12	<a href="#">9299506600</a> Washer, plain (646)	<a href="#">Buy now</a>

# Electrical 5



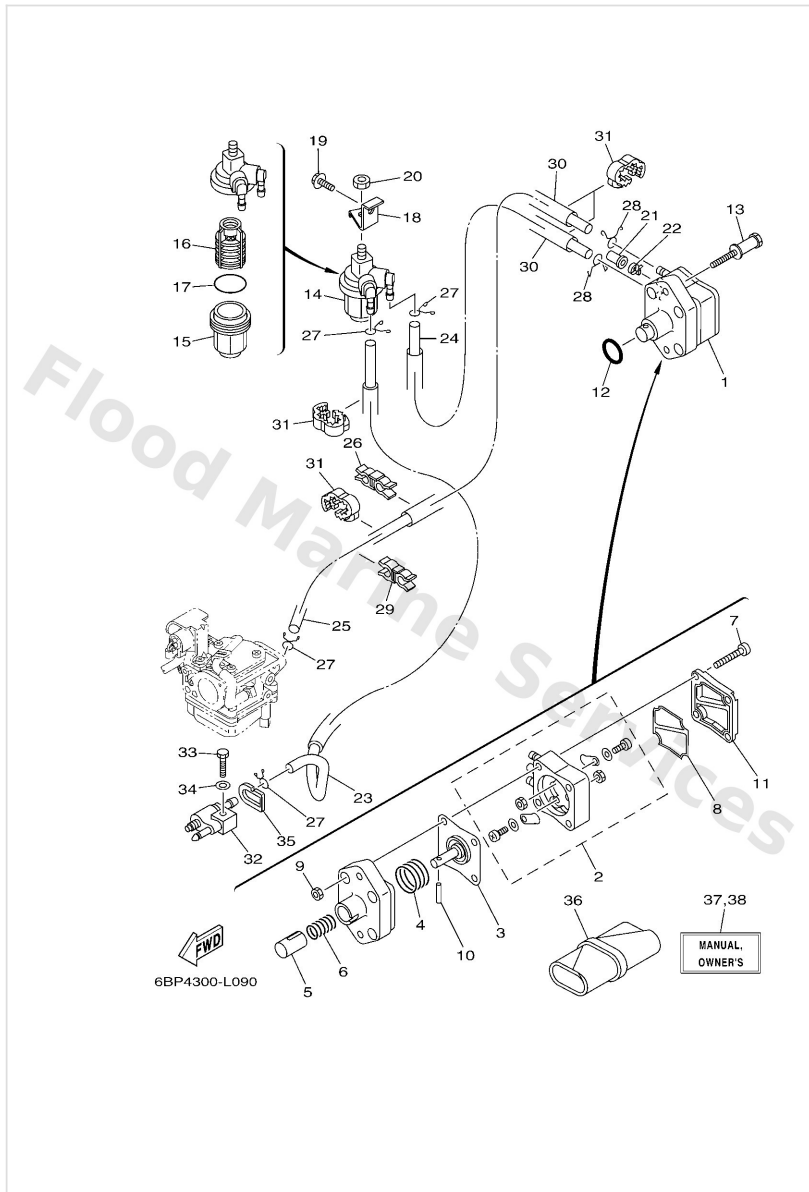
Ref	Part	
1	<a href="#">62Y8430100</a> Pilot light assembly 1	<a href="#">Buy now</a>
2	<a href="#">6H48358900</a> Gasket	<a href="#">Buy now</a>
3	<a href="#">9788506012</a> Screw, pan head(62j)	<a href="#">Buy now</a>
4	<a href="#">9299506600</a> Washer, plain (646)	<a href="#">Buy now</a>
5	<a href="#">6BL8238800</a> Plate	<a href="#">Buy now</a>
6	<a href="#">9010906M86</a> Bolt	<a href="#">Buy now</a>
7	<a href="#">9046418246</a> Clamp(4tr)	<a href="#">Buy now</a>
8	<a href="#">6BL8259000</a> Wire harness assembly	<a href="#">Buy now</a>
8	<a href="#">6BL8259010</a> Wire harness assembly	<a href="#">Buy now</a>
8	<a href="#">6BL8259020</a> Wire harness assembly	<a href="#">Buy now</a>
9	<a href="#">67F8215100</a> Fuse	<a href="#">Buy now</a>
10	<a href="#">67F8215110</a> Fuse	<a href="#">Buy now</a>
11	<a href="#">67F8215B10</a> Cap (yellow)	<a href="#">Buy now</a>
12	<a href="#">67F8215B20</a> Cap (green)	<a href="#">Buy now</a>
13	<a href="#">9046416001</a> Clamp	<a href="#">Buy now</a>

# Electrical 5



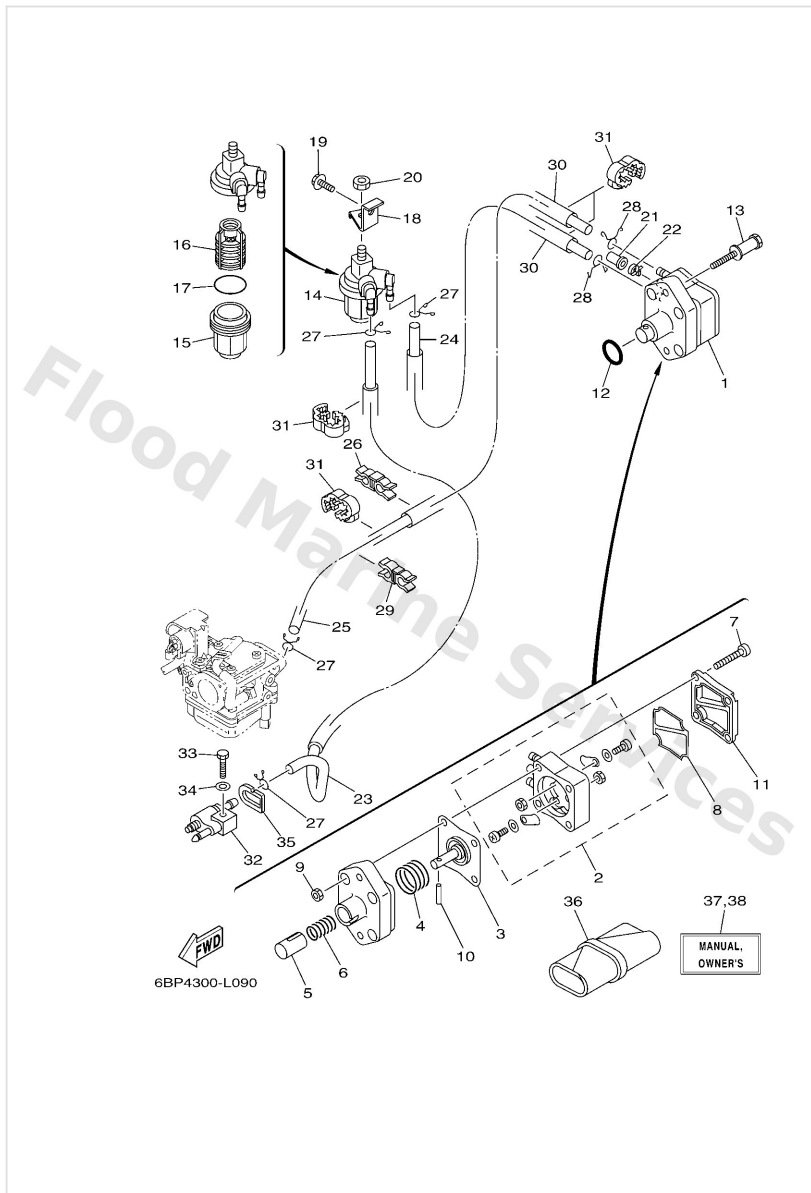
Ref	Part	
13	<a href="#">9046418004</a> Clamp	<a href="#">Buy now</a>
14	<a href="#">9046409010</a> Clamp	<a href="#">Buy now</a>
15	<a href="#">6G14272500</a> Grommet	<a href="#">Buy now</a>
16	<a href="#">69J4272301</a> Cover, bottom	<a href="#">Buy now</a>
16	<a href="#">69J8256300</a> Trim & tilt switch assembly	<a href="#">Buy now</a>
17	<a href="#">69J8258700</a> Gasket	<a href="#">Buy now</a>
18	<a href="#">63P8361401</a> Bracket	<a href="#">Buy now</a>
20	<a href="#">67C8541500</a> Mark, signal lamp	<a href="#">Buy now</a>

# Fuel



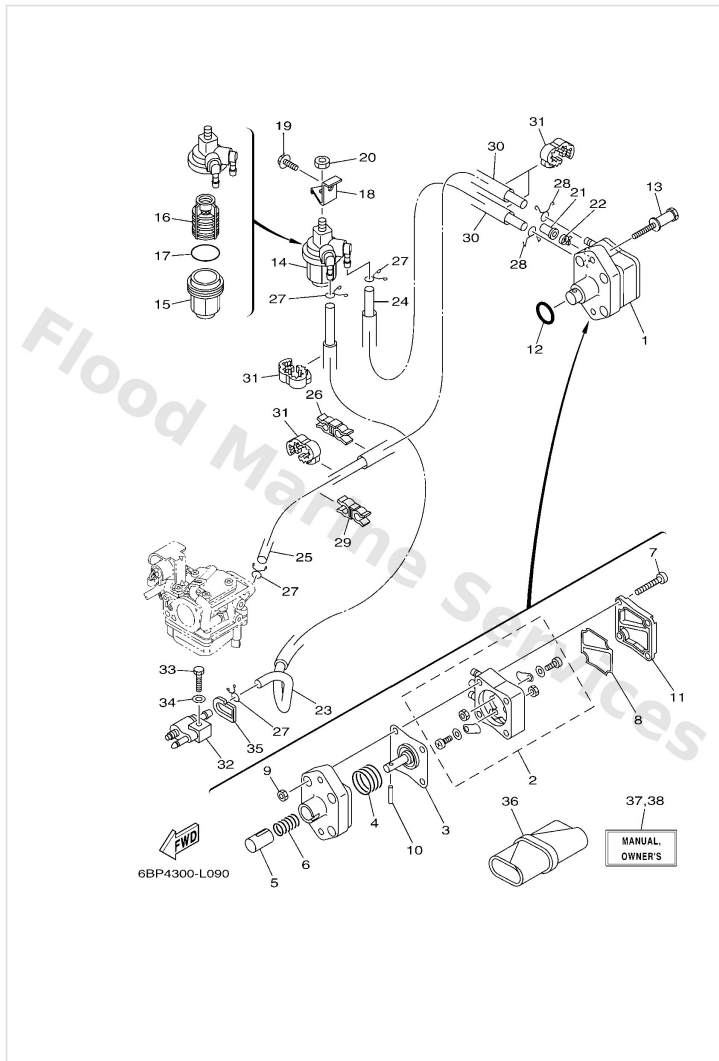
Ref	Part	
1	<a href="#">62Y2441004</a> Fuel pump assembly	<a href="#">Buy now</a>
2	<a href="#">62Y2441501</a> Body 4	<a href="#">Buy now</a>
3	<a href="#">62Y2441102</a> Diaphragm	<a href="#">Buy now</a>
4	<a href="#">62Y2442300</a> Spring, diaphragm	<a href="#">Buy now</a>
5	<a href="#">62Y1313101</a> Plunger	<a href="#">Buy now</a>
6	<a href="#">62Y2445400</a> Spring	<a href="#">Buy now</a>
7	<a href="#">62Y2444401</a> Screw	<a href="#">Buy now</a>
8	<a href="#">6C52447100</a> Diaphragm	<a href="#">Buy now</a>
9	<a href="#">9538005600</a> Nut, hexagon (663)	<a href="#">Buy now</a>
10	<a href="#">62Y2437401</a> Pin	<a href="#">Buy now</a>
11	<a href="#">6C52441400</a> Body 3	<a href="#">Buy now</a>
12	<a href="#">9321024M79</a> O-ring	<a href="#">Buy now</a>
13	<a href="#">9010906266</a> Bolt	<a href="#">Buy now</a>
14	<a href="#">61N2456010</a> Filter assembly	<a href="#">Buy now</a>
15	<a href="#">61N2452100</a> Cup, filter	<a href="#">Buy now</a>

# Fuel



Ref	Part	
16	<a href="#">61N2456310</a> Element, filter	<a href="#">Buy now</a>
17	<a href="#">9321032738</a> O-ring(1wg)	<a href="#">Buy now</a>
18	<a href="#">6D52456600</a> Bracket, filter	<a href="#">Buy now</a>
19	<a href="#">9589508016</a> Bolt, flange deep recess	<a href="#">Buy now</a>
20	<a href="#">9538008600</a> Nut (661)	<a href="#">Buy now</a>
21	<a href="#">6BL2448100</a> Plug	<a href="#">Buy now</a>
22	<a href="#">9046511M10</a> Clamp	<a href="#">Buy now</a>
23	<a href="#">6BL2431100</a> Pipe, fuel 1	<a href="#">Buy now</a>
24	<a href="#">9044510M20</a> Hose (l400)	<a href="#">Buy now</a>
25	<a href="#">9044510MG7</a> Hose (l350)	<a href="#">Buy now</a>
26	<a href="#">9046410M59</a> Clamp	<a href="#">Buy now</a>
27	<a href="#">9046709M17</a> Clip(6k8)	<a href="#">Buy now</a>
28	<a href="#">9046710M04</a> Clip, pipe 1 (6e9)	<a href="#">Buy now</a>
29	<a href="#">9046411009</a> Clamp	<a href="#">Buy now</a>
30	<a href="#">9044615003</a> Hose	<a href="#">Buy now</a>

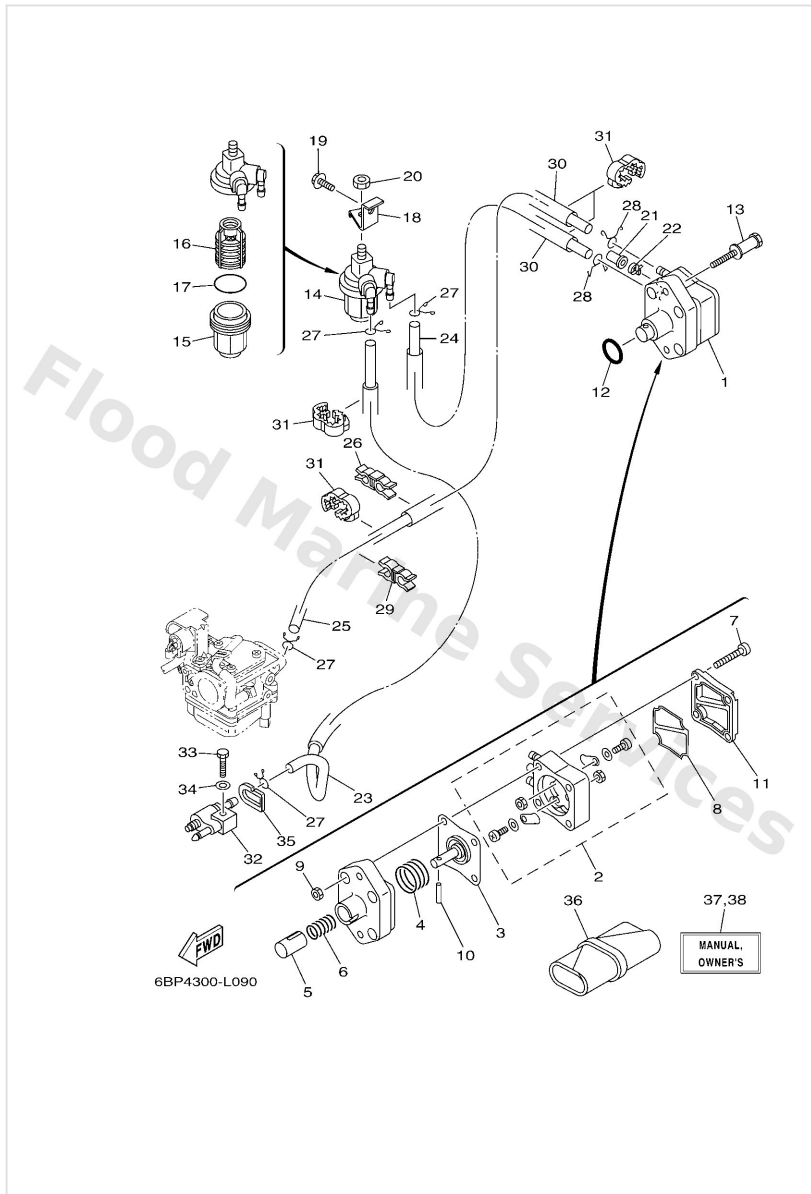
# Fuel



Ref	Part	
31	<a href="#">9046413227</a> Clamp	<a href="#">Buy now</a>
32	<a href="#">6G12430402</a> Fuel pipe joint comp. 1	<a href="#">Buy now</a>
33	<a href="#">9709506025</a> Bolt	<a href="#">Buy now</a>
34	<a href="#">9299506600</a> Washer, plain (646)	<a href="#">Buy now</a>
35	<a href="#">61N2432900</a> Seal	<a href="#">Buy now</a>
36	<a href="#">62Y2810000</a> Tool kit AP	<a href="#">Buy now</a>
37	<a href="#">6BP2819975D0</a> Manual,owner's UR (NL)	<a href="#">Buy now</a>
37	<a href="#">6BP2819975E0</a> Manual,owner's UR (E)	<a href="#">Buy now</a>
37	<a href="#">6BP2819975F0</a> Manual,owner's UR (F)	<a href="#">Buy now</a>
37	<a href="#">6BP2819975G0</a> Manual,owner's UR (D)	<a href="#">Buy now</a>
37	<a href="#">6BP2819975H0</a> Manual,owner's UR (I)	<a href="#">Buy now</a>
37	<a href="#">6BP2819975S0</a> Manual,owner's UR (ES)	<a href="#">Buy now</a>
38	<a href="#">6BP2819985K0</a> Manual,owner's UR (DK)	<a href="#">Buy now</a>
38	<a href="#">6BP2819985L0</a> Manual,owner's UR (SF)	<a href="#">Buy now</a>
38	<a href="#">6BP2819985M0</a> Manual,owner's UR (S)	<a href="#">Buy now</a>

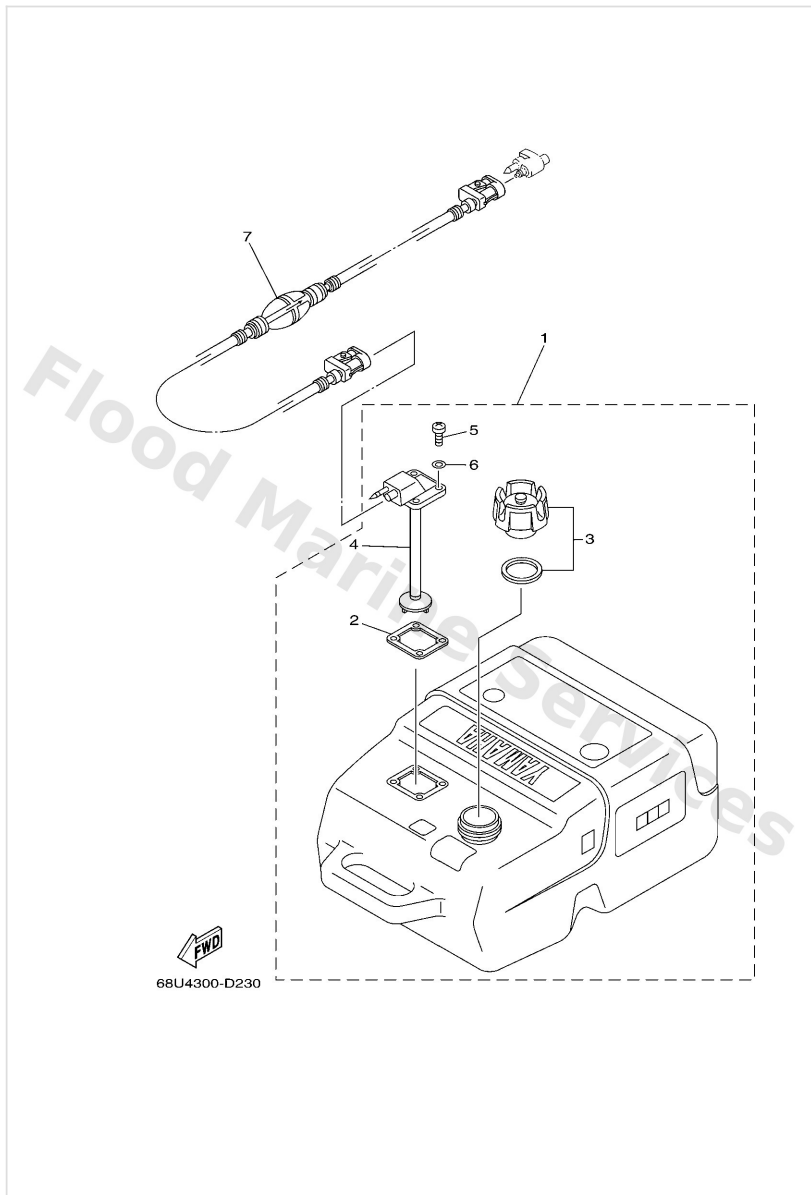


# Fuel



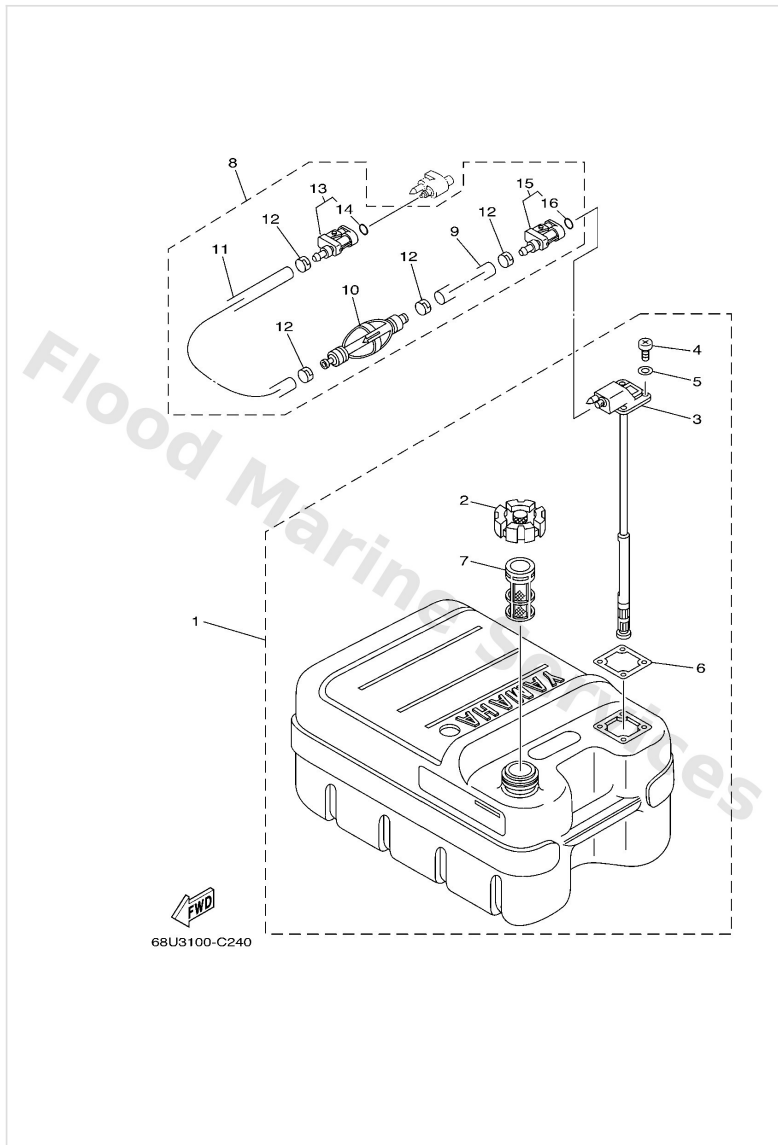
Ref	Part	
38	<a href="#">6BP2819985N0</a> Manual,owner's UR (N)	<a href="#">Buy now</a>
38	<a href="#">6BP2819985P0</a> Manual,owner's UR (P)	<a href="#">Buy now</a>
38	<a href="#">6BP2819985R0</a> Manual,owner's UR (GR)	<a href="#">Buy now</a>

# Fuel Tank 1



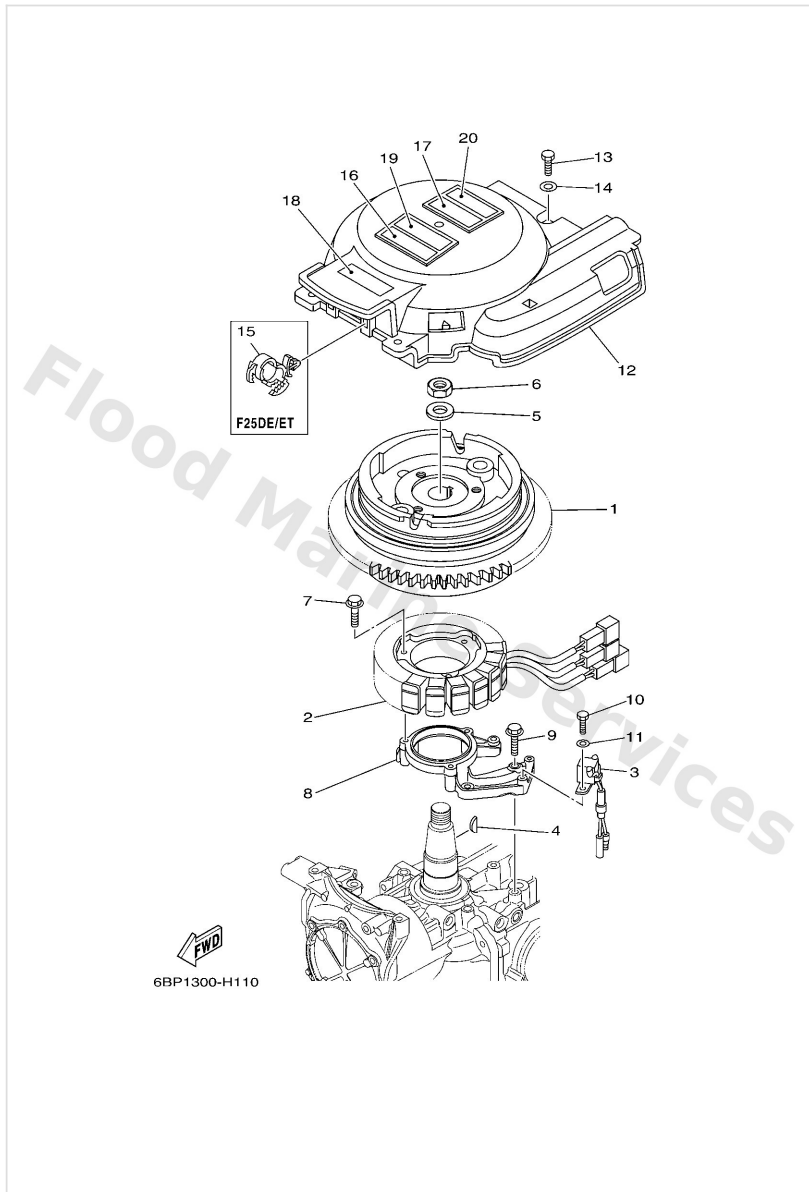
Ref	Part	
1	<a href="#">6YK2420103</a> Fuel Tank assembly (25L) AP EXCEPT FOR RUS	<a href="#">Buy now</a>
2	<a href="#">6YL2426801</a> Gasket, fuel meter	<a href="#">Buy now</a>
3	<a href="#">6YK2461001</a> Cap assembly	<a href="#">Buy now</a>
4	<a href="#">6YK2426001</a> Fuel meter assembly	<a href="#">Buy now</a>
5	<a href="#">9015705M16</a> Screw, pan head	<a href="#">Buy now</a>
6	<a href="#">6YL2432900</a> Seal	<a href="#">Buy now</a>
7	<a href="#">6YL2430654</a> Fuel pipe comp. 1 AP EXCEPT FOR RUS	<a href="#">Buy now</a>

# Fuel Tank 2



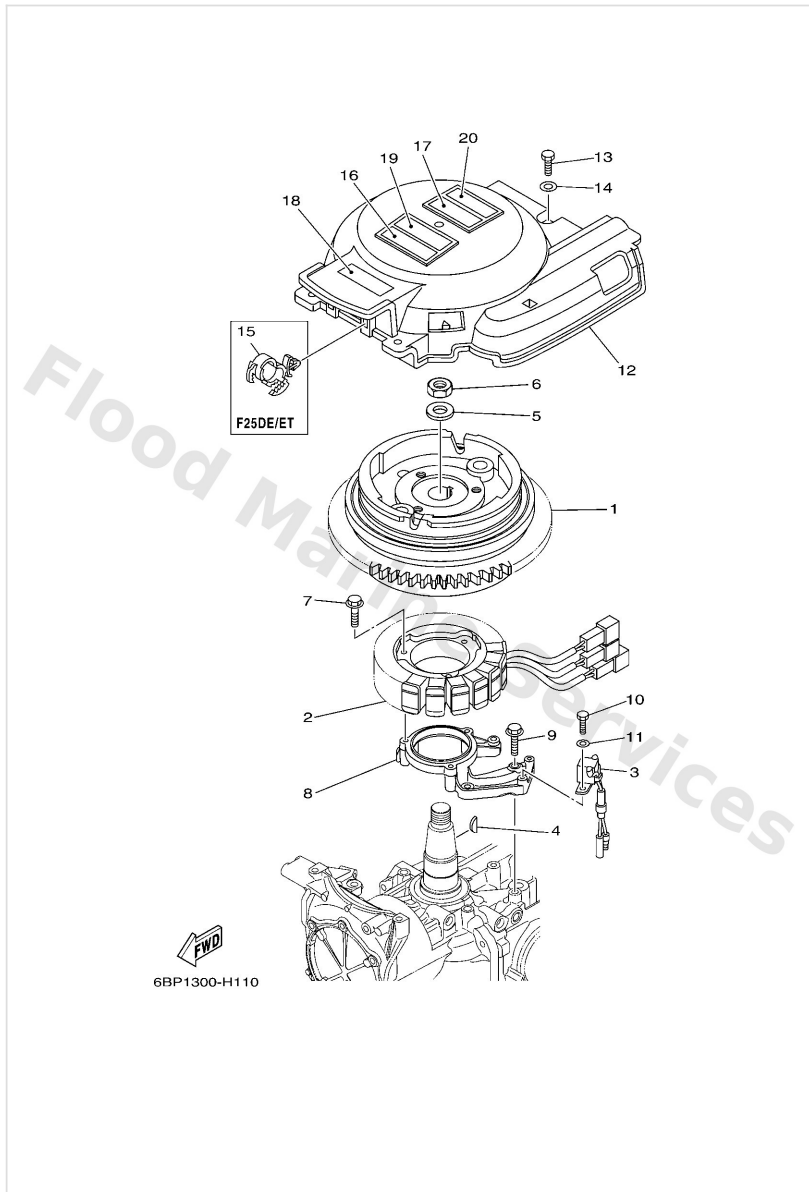
Ref	Part	
1	<a href="#">6YJ2420110</a> Fuel Tank assembly (24L) AP FOR RUS	<a href="#">Buy now</a>
2	<a href="#">6YJ2461001</a> Cap assembly	<a href="#">Buy now</a>
3	<a href="#">6Y12426012</a> Fuel meter assembly WITH INDICATOR	<a href="#">Buy now</a>
4	<a href="#">9015705M19</a> Screw, pan head	<a href="#">Buy now</a>
5	<a href="#">6Y12432900</a> Seal	<a href="#">Buy now</a>
6	<a href="#">6Y12426800</a> Gasket, fuel meter	<a href="#">Buy now</a>
7	<a href="#">6YJ2416700</a> Strainer	<a href="#">Buy now</a>
8	<a href="#">61J2430604</a> Fuel pipe comp. 1 AP FOR RUS	<a href="#">Buy now</a>
9	<a href="#">9044511M06</a> Hose (I3000)	<a href="#">Buy now</a>
10	<a href="#">61J2436000</a> Primer pump assembly	<a href="#">Buy now</a>
11	<a href="#">9044511M05</a> Hose (I1000)	<a href="#">Buy now</a>
12	<a href="#">6502435151</a> Band 1	<a href="#">Buy now</a>
13	<a href="#">6G12430505</a> Fuel pipe joint comp. 2	<a href="#">Buy now</a>
14	<a href="#">9321008287</a> O-ring (655)	<a href="#">Buy now</a>
15	<a href="#">6Y12430506</a> Fuel pipe joint comp. 2	<a href="#">Buy now</a>

# Generator



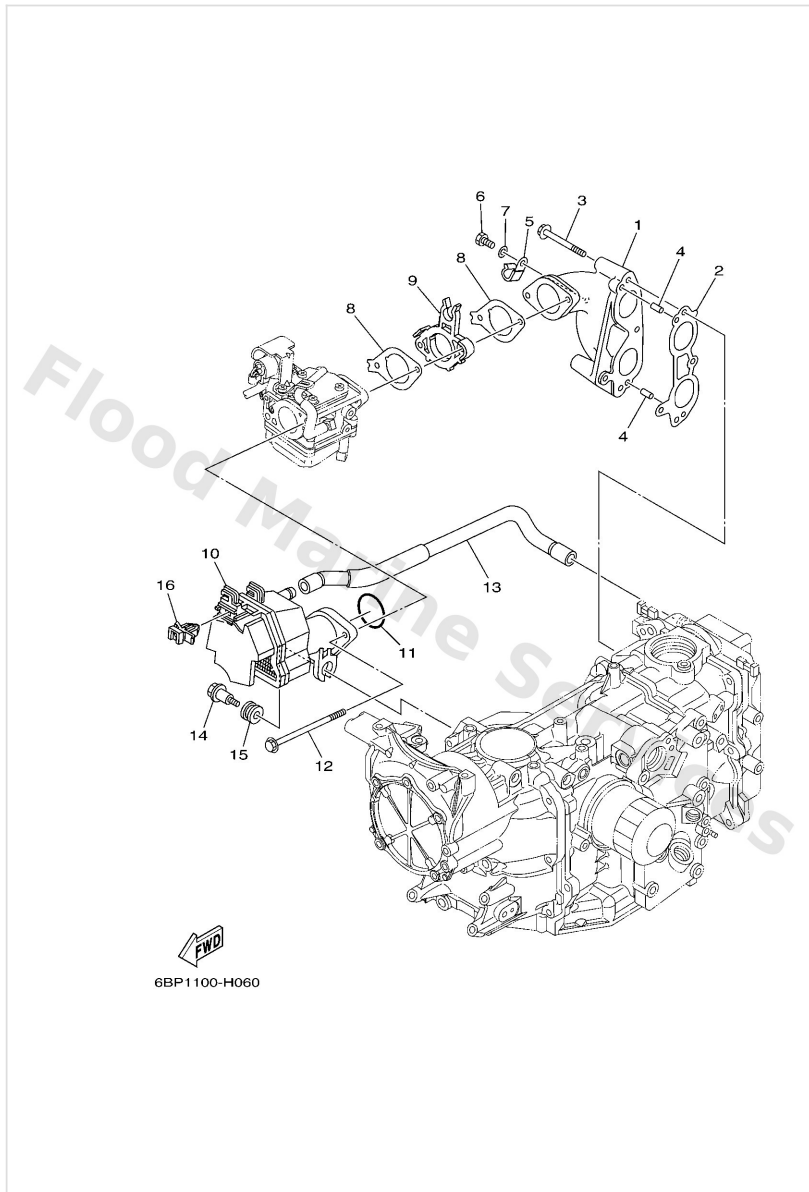
Ref	Part	
1	<a href="#">6BL8555000</a> Rotor assembly	<a href="#">Buy now</a>
1	<a href="#">6BL8555010</a> Rotor assembly	<a href="#">Buy now</a>
2	<a href="#">6BL8551000</a> Stator assembly	<a href="#">Buy now</a>
2	<a href="#">6BL8551010</a> Stator assembly	<a href="#">Buy now</a>
3	<a href="#">6AH8558000</a> Coil, pulser	<a href="#">Buy now</a>
4	<a href="#">6H41154500</a> Key, woodruff	<a href="#">Buy now</a>
5	<a href="#">9020121M18</a> Washer, plate (663)	<a href="#">Buy now</a>
6	<a href="#">9017020137</a> Nut, hexagon(663)	<a href="#">Buy now</a>
7	<a href="#">9502306030</a> Bolt, flange(4as)	<a href="#">Buy now</a>
8	<a href="#">6BG855610094</a> Base, magneto	<a href="#">Buy now</a>
9	<a href="#">9502306025</a> Bolt, flange(4kg)	<a href="#">Buy now</a>
10	<a href="#">9709505016</a> Bolt(6a1)	<a href="#">Buy now</a>
11	<a href="#">9299505600</a> Washer, plain (646)	<a href="#">Buy now</a>
12	<a href="#">6BL8133700</a> Cover, flywheel	<a href="#">Buy now</a>
13	<a href="#">9709506020</a> Bolt(7u8)	<a href="#">Buy now</a>

# Generator



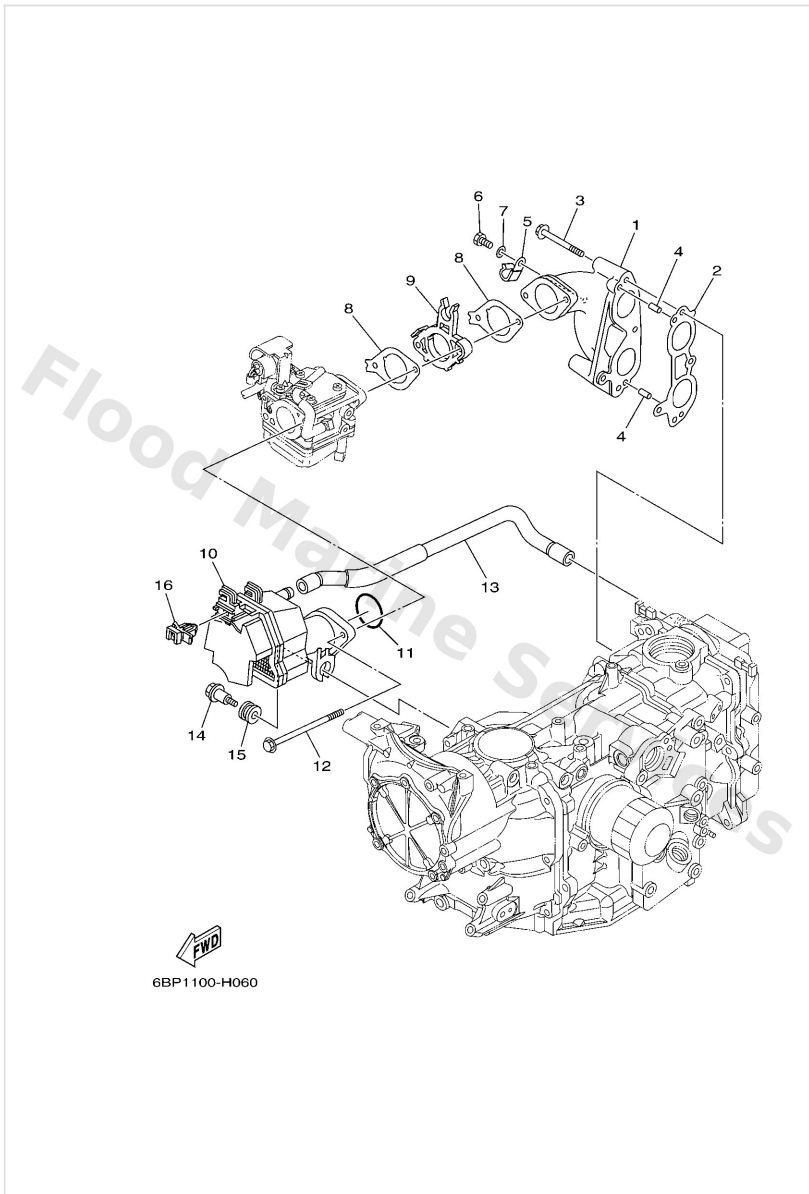
Ref	Part	
14	<a href="#">9299506600</a> Washer, plain (646)	<a href="#">Buy now</a>
15	<a href="#">9046412183</a> Clamp(jn2)	<a href="#">Buy now</a>
16	<a href="#">6AH8199440</a> Label, safety	<a href="#">Buy now</a>
17	<a href="#">6AH8199540</a> Label, warning	<a href="#">Buy now</a>
18	<a href="#">6AG8199600</a> Mark	<a href="#">Buy now</a>
19	<a href="#">6AH8199450</a> Label, safety	<a href="#">Buy now</a>
20	<a href="#">6AH8199550</a> Label, warning	<a href="#">Buy now</a>

# Intake



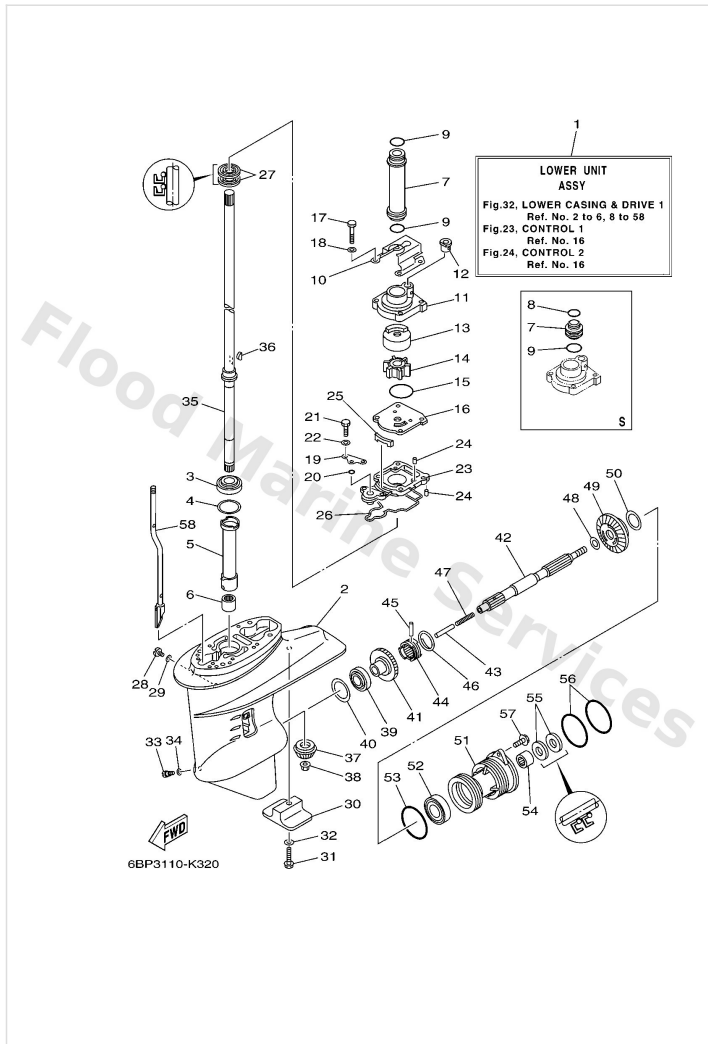
Ref	Part	
1	<a href="#">6BL136410094</a> Manifold 1	<a href="#">Buy now</a>
2	<a href="#">6BL1364500</a> Gasket, manifold 1	<a href="#">Buy now</a>
3	<a href="#">9759506555</a> Bolt, hexagon w/w deep recess	<a href="#">Buy now</a>
4	<a href="#">9169050014</a> Pin, spring (647)	<a href="#">Buy now</a>
5	<a href="#">9046508M83</a> Clamp	<a href="#">Buy now</a>
6	<a href="#">9709506016</a> Bolt, hexagon deep recess	<a href="#">Buy now</a>
7	<a href="#">9299506600</a> Washer, plain (646)	<a href="#">Buy now</a>
8	<a href="#">6BL1364600</a> Gasket, manifold 2	<a href="#">Buy now</a>
9	<a href="#">6BL1427100</a> Insulator	<a href="#">Buy now</a>
10	<a href="#">6BL1444000</a> Silencer assembly, intake	<a href="#">Buy now</a>
11	<a href="#">9321039ME4</a> O-ring(6h2)	<a href="#">Buy now</a>
12	<a href="#">9589506100</a> Bolt, flange deep recess	<a href="#">Buy now</a>
13	<a href="#">6BL1537300</a> Pipe, breather	<a href="#">Buy now</a>
14	<a href="#">9010906MA1</a> Bolt	<a href="#">Buy now</a>
15	<a href="#">9048016616</a> Grommet	<a href="#">Buy now</a>

# Intake



Ref	Part	
16	<a href="#">9046409M47</a> Clamp(65j)	<a href="#">Buy now</a>

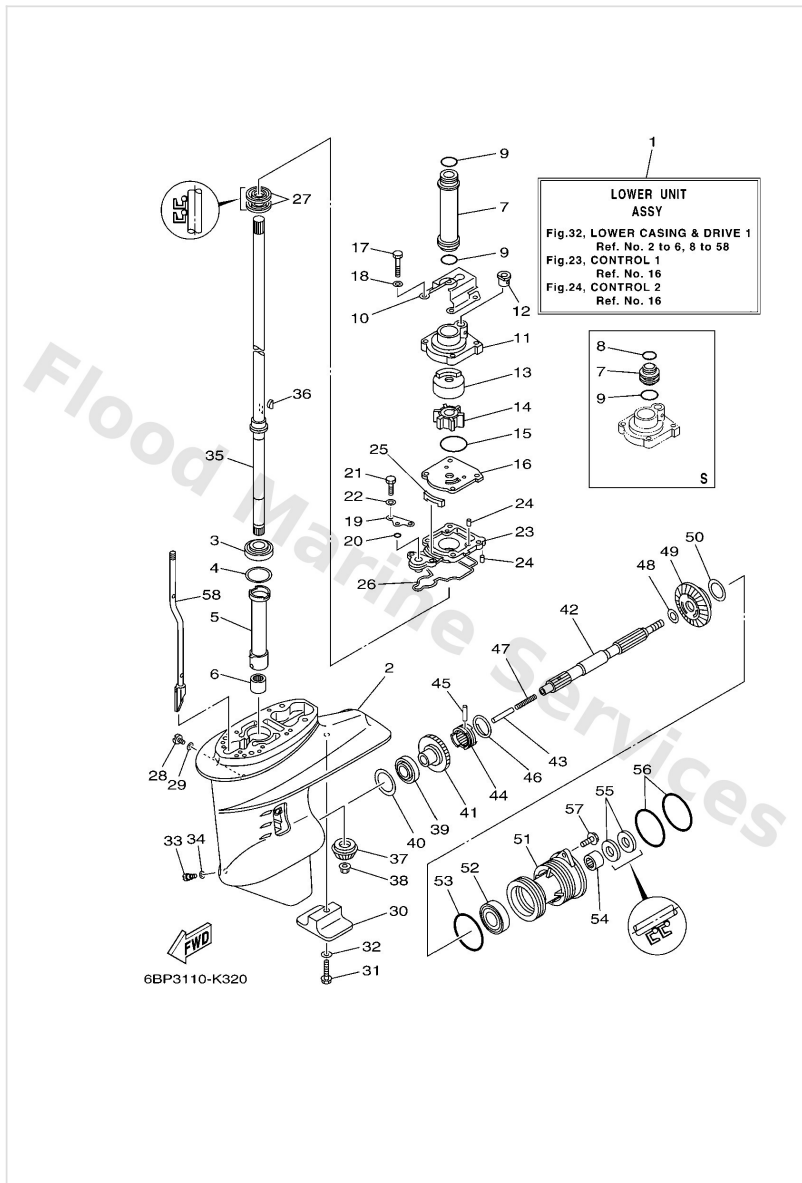
# Lower Casing & Drive 1



Ref	Part	
1	<a href="#">65W45300014D</a> Lower unit assembly S(16.6")	<a href="#">Buy now</a>
1	<a href="#">65W45300114D</a> Lower unit assembly L(21.6")	<a href="#">Buy now</a>
2	<a href="#">61N45311024D</a> Casing, lower	<a href="#">Buy now</a>
3	<a href="#">93332000W5</a> Bearing(61n)	<a href="#">Buy now</a>
4	<a href="#">61N4558700</a> Shim (t:0.70mm) UR	<a href="#">Buy now</a>
4	<a href="#">61N4558710</a> Shim (t:1.0mm) UR	<a href="#">Buy now</a>
4	<a href="#">61N4558720</a> Shim (t:1.1mm) UR	<a href="#">Buy now</a>
4	<a href="#">61N4558730</a> Shim (t:1.2mm) UR	<a href="#">Buy now</a>
4	<a href="#">61N4558740</a> Shim (t:1.3mm) UR	<a href="#">Buy now</a>
4	<a href="#">61N4558750</a> Shim (t:1.4mm) UR	<a href="#">Buy now</a>
4	<a href="#">61N4558760</a> Shim (t:1.5mm) UR	<a href="#">Buy now</a>
4	<a href="#">61N4558770</a> Shim (t:1.6mm) UR	<a href="#">Buy now</a>
5	<a href="#">61N4553600</a> Sleeve, drive shaft	<a href="#">Buy now</a>
6	<a href="#">93315220V7</a> Bearing, cylindrical(6j8)	<a href="#">Buy now</a>
7	<a href="#">61N4436200</a> Tube, water S(16.6")	<a href="#">Buy now</a>

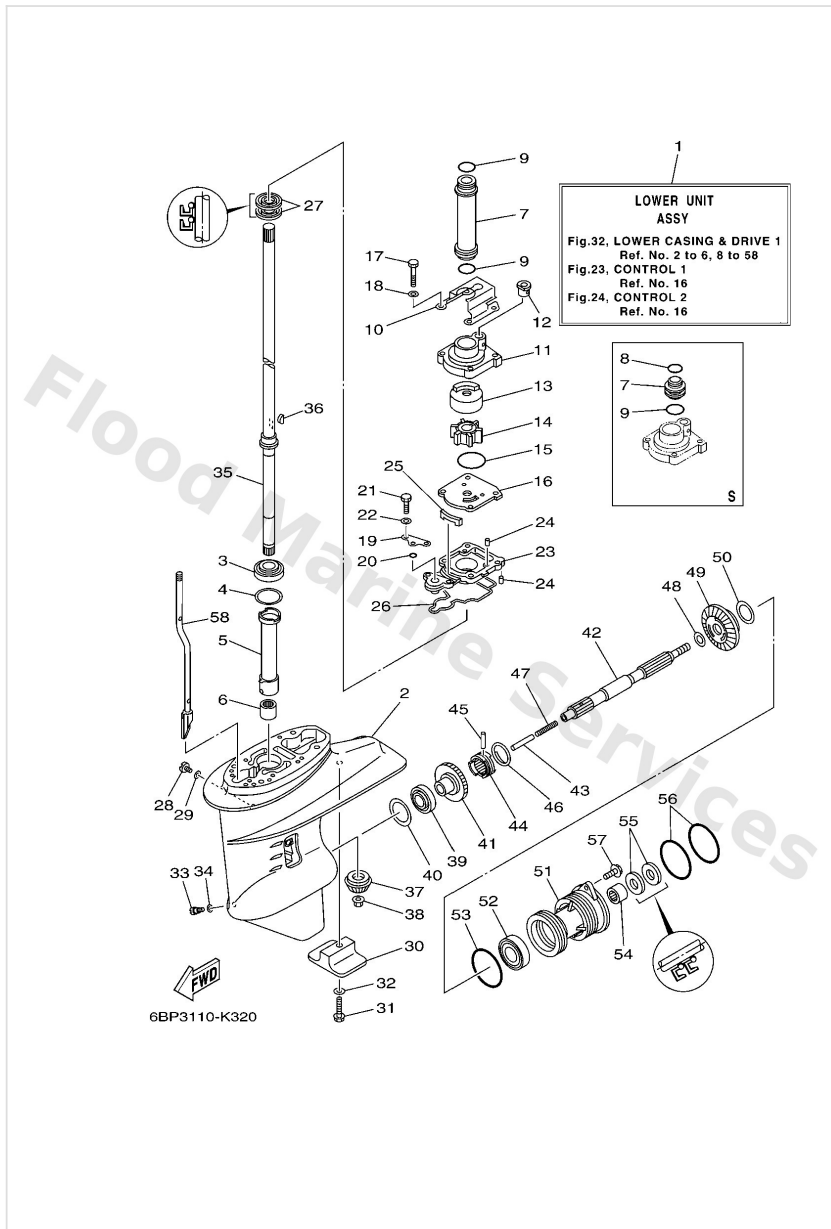


# Lower Casing & Drive 1



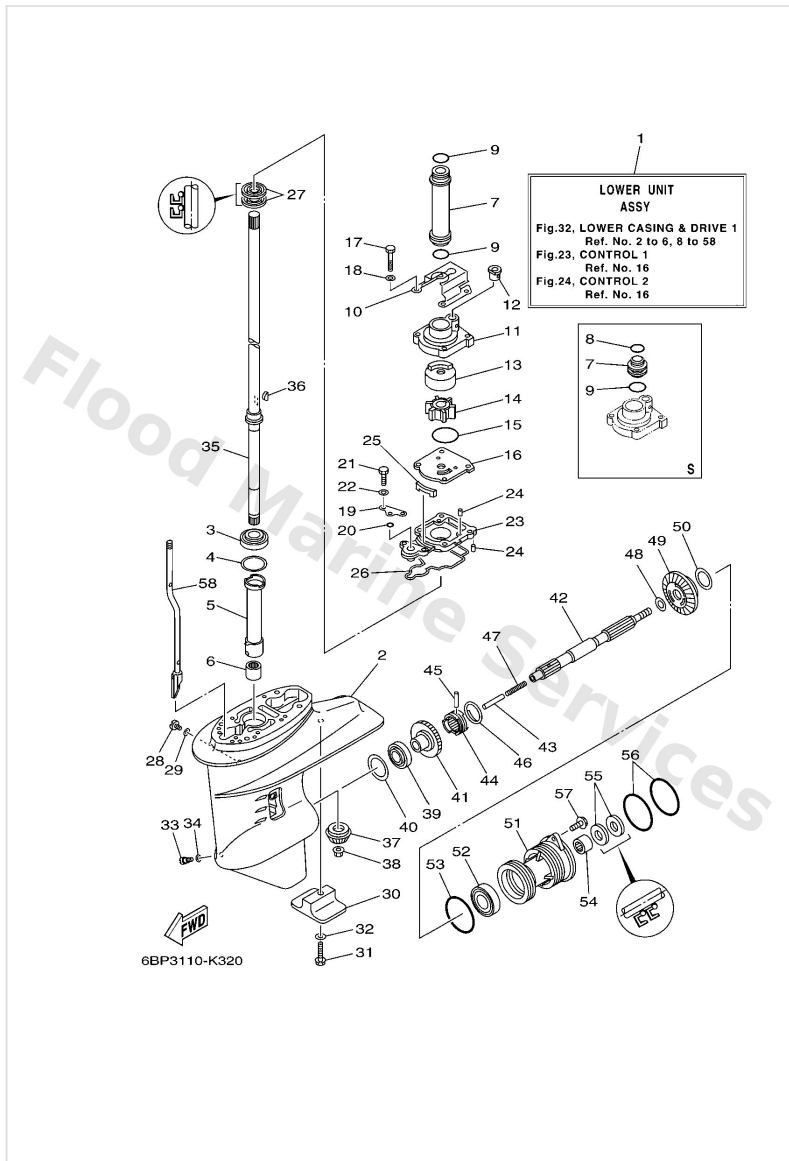
Ref	Part	
7	<a href="#">61N4436210</a> Tube, water L(21.6")	<a href="#">Buy now</a>
8	<a href="#">9321022164</a> O-ring S(16.6")	<a href="#">Buy now</a>
9	<a href="#">9321026130</a> O-ring S(16.6")	<a href="#">Buy now</a>
10	<a href="#">65W4432811</a> Plate L(21.6")	<a href="#">Buy now</a>
11	<a href="#">61N4431101</a> Housing, water pump	<a href="#">Buy now</a>
12	<a href="#">6L24436700</a> Damper, water seal 3	<a href="#">Buy now</a>
13	<a href="#">61N4432201</a> Insert, cartridge	<a href="#">Buy now</a>
14	<a href="#">6H44435202</a> Impeller	<a href="#">Buy now</a>
15	<a href="#">9321045161</a> O-ring	<a href="#">Buy now</a>
16	<a href="#">61N4432300</a> Outer plate, cartridge	<a href="#">Buy now</a>
17	<a href="#">9709506040</a> Bolt (682)	<a href="#">Buy now</a>
18	<a href="#">9299506600</a> Washer, plain (646)	<a href="#">Buy now</a>
19	<a href="#">65W4417600</a> Bracket	<a href="#">Buy now</a>
20	<a href="#">9321006ME6</a> O-ring	<a href="#">Buy now</a>
21	<a href="#">9709506025</a> Bolt	<a href="#">Buy now</a>

# Lower Casing & Drive 1



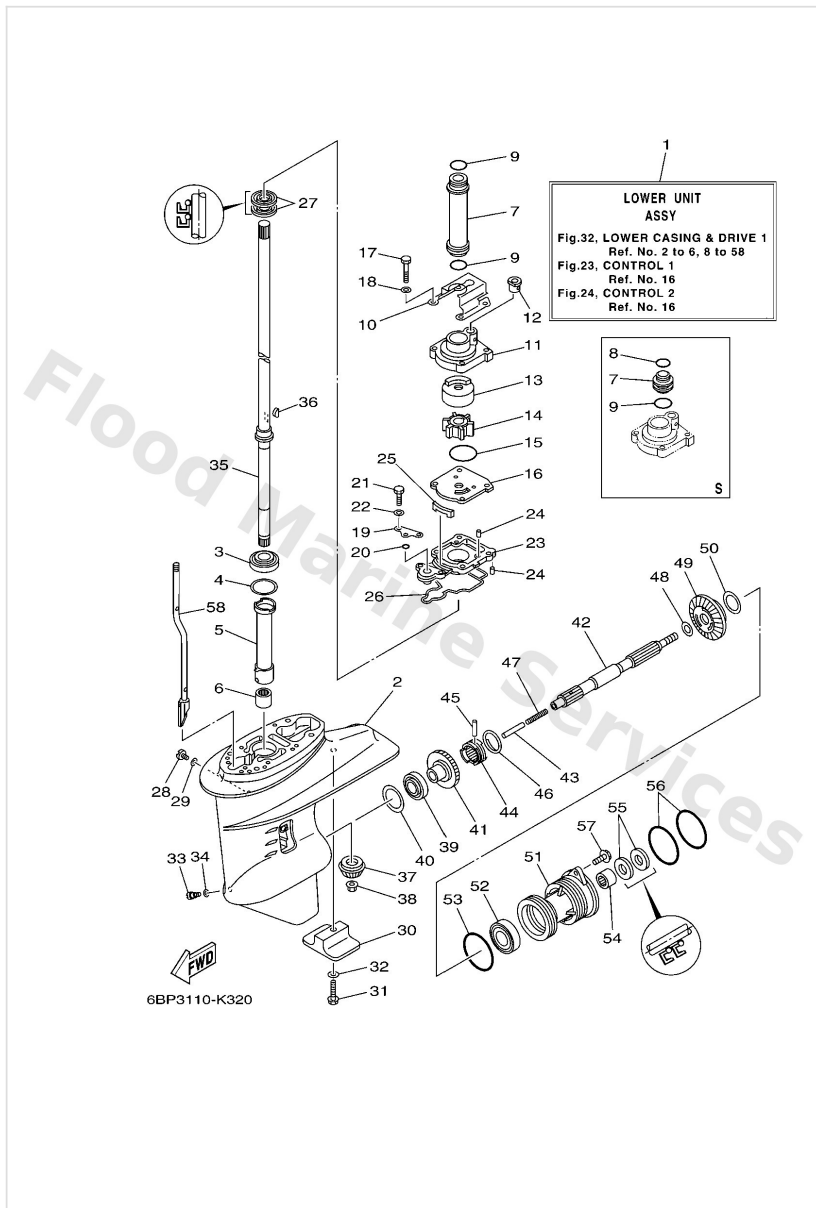
Ref	Part	
23	<a href="#">65W4533100CA</a> Housing, bearing	<a href="#">Buy now</a>
24	<a href="#">9360410M03</a> Pin, dowel (688)	<a href="#">Buy now</a>
25	<a href="#">61N4512700</a> Seal	<a href="#">Buy now</a>
26	<a href="#">61N4531500</a> Packing, lower casing	<a href="#">Buy now</a>
27	<a href="#">9310122067</a> Oil seal (22x36x6-663)	<a href="#">Buy now</a>
28	<a href="#">9034008002</a> Plug, straight screw	<a href="#">Buy now</a>
29	<a href="#">9043008020</a> Gasket	<a href="#">Buy now</a>
30	<a href="#">61N4525101</a> Anode	<a href="#">Buy now</a>
31	<a href="#">9589506035</a> Bolt, flange(4nx)	<a href="#">Buy now</a>
32	<a href="#">9299006300</a> Washer, tooth	<a href="#">Buy now</a>
33	<a href="#">6884534110</a> Plug, drain	<a href="#">Buy now</a>
35	<a href="#">61N4551000</a> Drive shaft assembly S(16.6")	<a href="#">Buy now</a>
35	<a href="#">61N4551010</a> Drive shaft assembly L(21.6")	<a href="#">Buy now</a>
36	<a href="#">9028003024</a> Key, woodruff(662)	<a href="#">Buy now</a>
37	<a href="#">61N4555100</a> Pinion	<a href="#">Buy now</a>

# Lower Casing & Drive 1



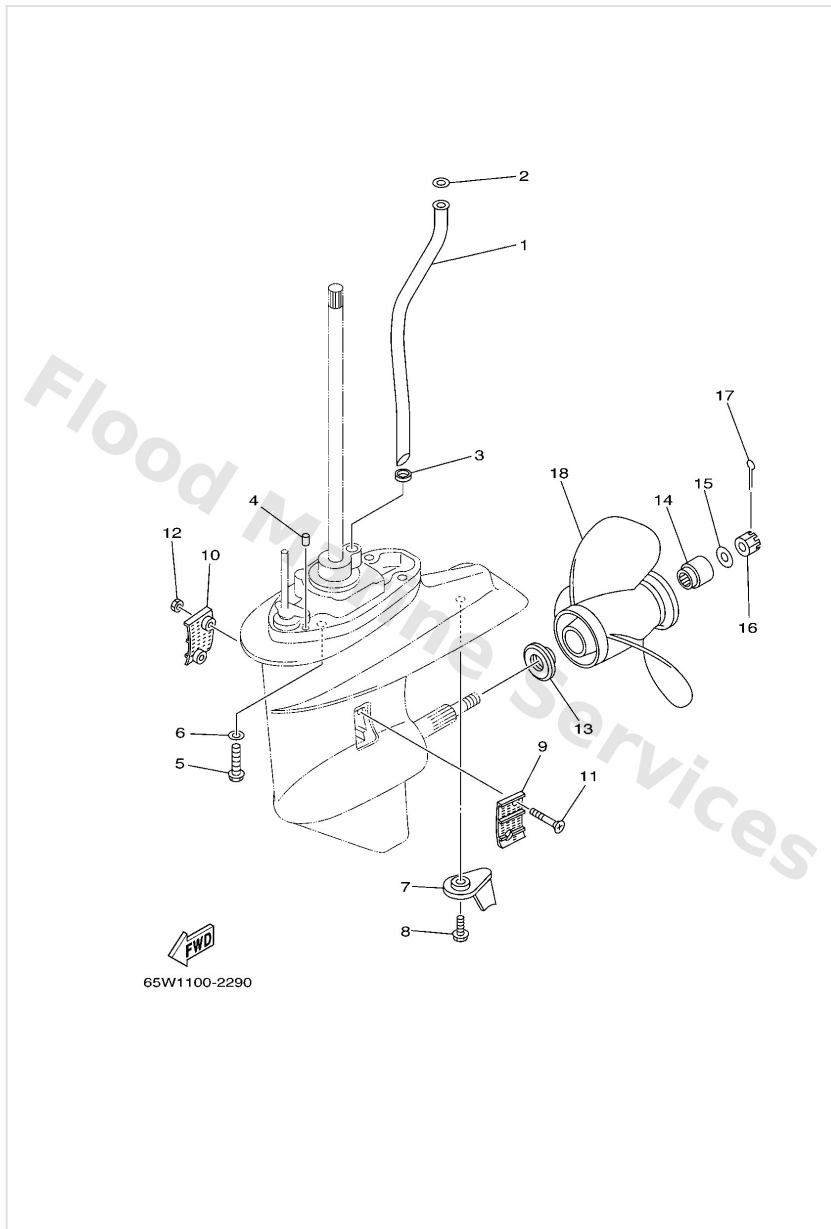
Ref	Part	
38	<a href="#">9017910M14</a> Nut(6j8)	<a href="#">Buy now</a>
39	<a href="#">9333200005</a> Brg,cyl-cal roller 0.19g nt	<a href="#">Buy now</a>
40	<a href="#">6L24556700</a> Shim (t:1.0mm) UR	<a href="#">Buy now</a>
40	<a href="#">6L24556710</a> Shim (t:1.1mm) UR	<a href="#">Buy now</a>
40	<a href="#">6L24556720</a> Shim (t:1.2mm) UR	<a href="#">Buy now</a>
40	<a href="#">6L24556730</a> Shim (t:1.3mm) UR	<a href="#">Buy now</a>
40	<a href="#">6L24556740</a> Shim (t:1.4mm) UR	<a href="#">Buy now</a>
41	<a href="#">61N4556010</a> Gear	<a href="#">Buy now</a>
42	<a href="#">65W4561100</a> Shaft, propeller	<a href="#">Buy now</a>
43	<a href="#">6484563500</a> Plunger,shift	<a href="#">Buy now</a>
44	<a href="#">6644563103</a> Clutch, dog	<a href="#">Buy now</a>
45	<a href="#">9025005010</a> Pin straight 648456320000	<a href="#">Buy now</a>
46	<a href="#">6484563300</a> Ring, cross pin	<a href="#">Buy now</a>
47	<a href="#">9050110065</a> Spring compression648456360000	<a href="#">Buy now</a>
48	<a href="#">9020120417</a> Washer, plate(663)	<a href="#">Buy now</a>

# Lower Casing & Drive 1



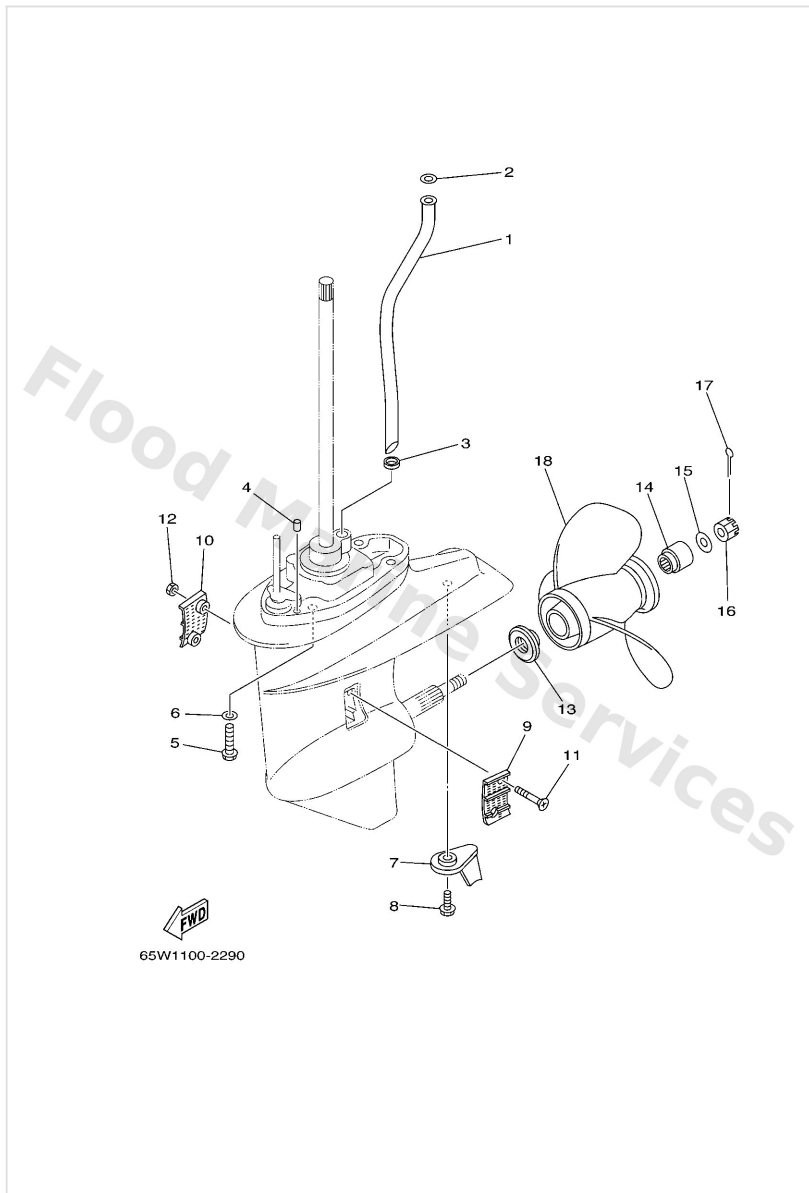
Ref	Part	
49	<a href="#">61N4557100</a> Gear	<a href="#">Buy now</a>
50	<a href="#">6L24557700</a> Shim (t:1.0mm) UR	<a href="#">Buy now</a>
50	<a href="#">6L24557710</a> Shim (t:1.1mm) UR	<a href="#">Buy now</a>
50	<a href="#">6L24557720</a> Shim (t:1.2mm) UR	<a href="#">Buy now</a>
50	<a href="#">6L24557730</a> Shim (t:1.3mm) UR	<a href="#">Buy now</a>
51	<a href="#">61N45361014D</a> Cap, lower casing	<a href="#">Buy now</a>
52	<a href="#">9330600612</a> Bearing(2hr)	<a href="#">Buy now</a>
53	<a href="#">9321064ME7</a> O-ring	<a href="#">Buy now</a>
54	<a href="#">9331522004</a> Brg,cyl-cal roller 21g nt	<a href="#">Buy now</a>
55	<a href="#">9310120M07</a> Oil seal	<a href="#">Buy now</a>
56	<a href="#">9321065M50</a> O-ring	<a href="#">Buy now</a>
57	<a href="#">9757506520</a> Bolt, hexagon w/w deep recess	<a href="#">Buy now</a>
58	<a href="#">65W4415001</a> Shift cam assembly S(16.6")	<a href="#">Buy now</a>
58	<a href="#">65W4415011</a> Shift cam assembly L(21.6")	<a href="#">Buy now</a>

## Lower Casing & Drive 2



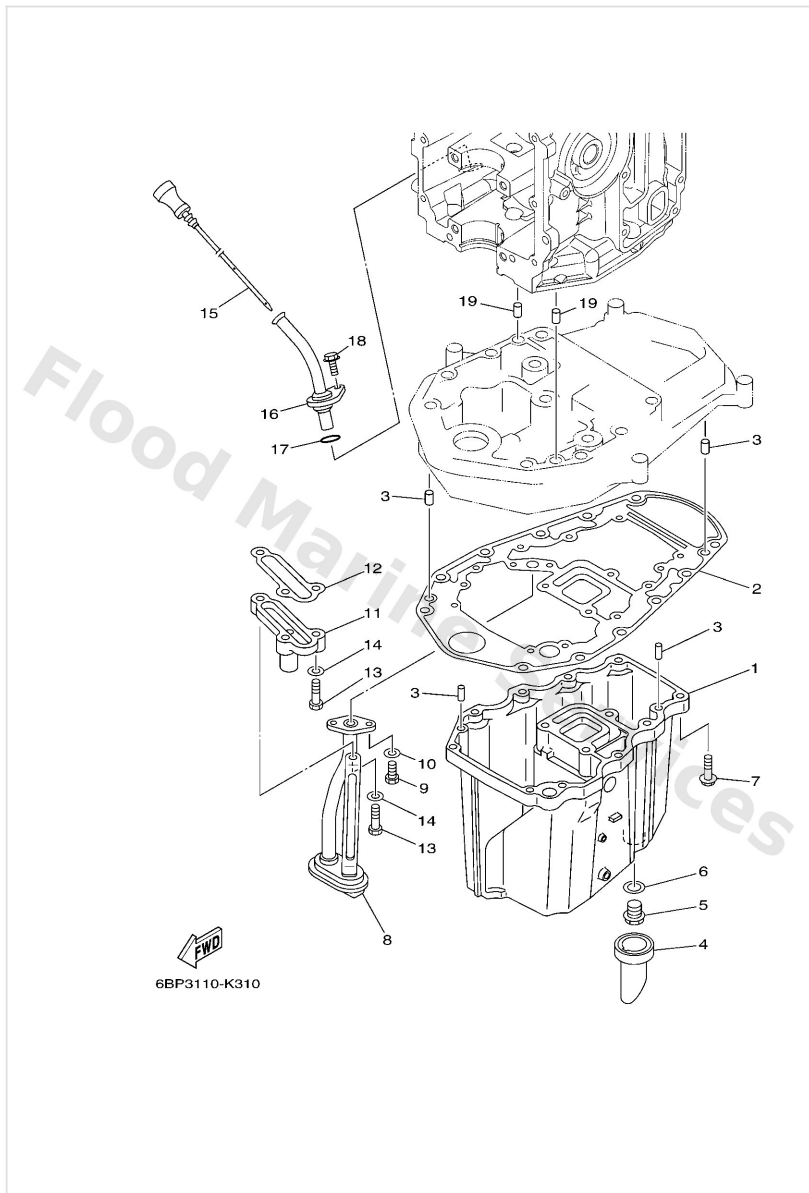
Ref	Part	
1	<a href="#">65W4436102</a> Tube, water S(16.6")	<a href="#">Buy now</a>
1	<a href="#">65W4436112</a> Tube, water L(21.6")	<a href="#">Buy now</a>
2	<a href="#">9020212060</a> Washer, plate(663)	<a href="#">Buy now</a>
3	<a href="#">9043010002</a> Gasket	<a href="#">Buy now</a>
4	<a href="#">9360611M24</a> Pin, dowel	<a href="#">Buy now</a>
5	<a href="#">9010510M12</a> Bolt (689)	<a href="#">Buy now</a>
6	<a href="#">9299510600</a> Washer, plate	<a href="#">Buy now</a>
7	<a href="#">61N4537100</a> Tab-trim	<a href="#">Buy now</a>
8	<a href="#">9011906M48</a> Bolt, with washer(61n)	<a href="#">Buy now</a>
9	<a href="#">6L24521400</a> Cover, water inlet	<a href="#">Buy now</a>
10	<a href="#">6L24521500</a> Cover, water inlet	<a href="#">Buy now</a>
11	<a href="#">9015105M05</a> Screw, countersunk	<a href="#">Buy now</a>
12	<a href="#">9018505002</a> Nut nylon (sus)(ex4)	<a href="#">Buy now</a>
13	<a href="#">6L24598701</a> Spacer	<a href="#">Buy now</a>
14	<a href="#">6894599700</a> Spacer	<a href="#">Buy now</a>

## Lower Casing & Drive 2



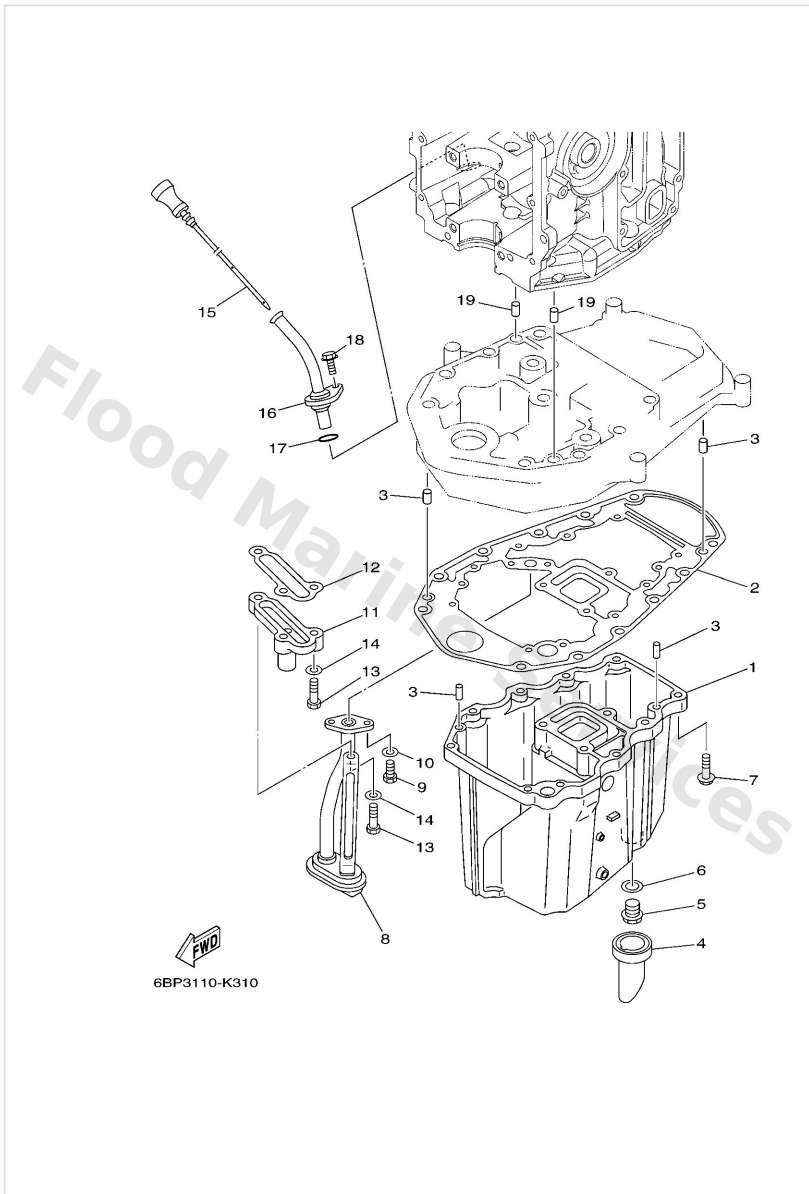
Ref	Part	
15	<a href="#">9299014200</a> Washer, plain	<a href="#">Buy now</a>
16	<a href="#">9017114013</a> Nut(664)	<a href="#">Buy now</a>
17	<a href="#">9149030022</a> Pin, cotter	<a href="#">Buy now</a>
18	<a href="#">6644594101</a> Propeller (3x9-7/8"x9"-f) UR	<a href="#">Buy now</a>
18	<a href="#">6644594301</a> Propeller (3x9-7/8 x8 -f) UR	<a href="#">Buy now</a>
18	<a href="#">6644594500</a> Propeller (3x9-7/8 x10-1/2 -f) UR	<a href="#">Buy now</a>
18	<a href="#">6644594701</a> Propeller (3x9-7/8 x11-1/4 -f) UR	<a href="#">Buy now</a>
18	<a href="#">6644594902</a> Propeller (3x9-7/8 x13 -f) UR	<a href="#">Buy now</a>
18	<a href="#">6644595200</a> Propeller (3x9-7/8 x14 -f) UR	<a href="#">Buy now</a>
18	<a href="#">6644595401</a> Propeller (3x9-7/8 x12 -f) UR	<a href="#">Buy now</a>
18	<a href="#">6644597000</a> Propeller (3x9-1/8 x13 -f) UR	<a href="#">Buy now</a>
18	<a href="#">6644597200</a> Propeller (3x9-1/8 x12 -f) UR	<a href="#">Buy now</a>

# Oil Pan



Ref	Part	
1	<a href="#">65W1531103CA</a> Oil pan	<a href="#">Buy now</a>
2	<a href="#">69W1531200</a> Gasket, oil pan	<a href="#">Buy now</a>
3	<a href="#">9360612019</a> Pin, dowel (614)	<a href="#">Buy now</a>
4	<a href="#">65W1531600</a> Damper 1	<a href="#">Buy now</a>
5	<a href="#">9034014M06</a> Plug, straight screw(62y)	<a href="#">Buy now</a>
6	<a href="#">9043014M09</a> Gasket	<a href="#">Buy now</a>
7	<a href="#">9757506525</a> Bolt, hexagon w/w deep recess	<a href="#">Buy now</a>
8	<a href="#">65W1341100</a> Strainer, oil	<a href="#">Buy now</a>
9	<a href="#">9701306016</a> Bolt, hexagon deep recess	<a href="#">Buy now</a>
10	<a href="#">9290306600</a> Washer, plain (646)	<a href="#">Buy now</a>
11	<a href="#">6BG115760094</a> Body, relief	<a href="#">Buy now</a>
12	<a href="#">62Y1347500</a> Gasket	<a href="#">Buy now</a>
13	<a href="#">9701306025</a> Bolt(62y)	<a href="#">Buy now</a>
15	<a href="#">6BL1536200</a> Plug, oil level	<a href="#">Buy now</a>
16	<a href="#">6BL1537700</a> Guide, inlet	<a href="#">Buy now</a>

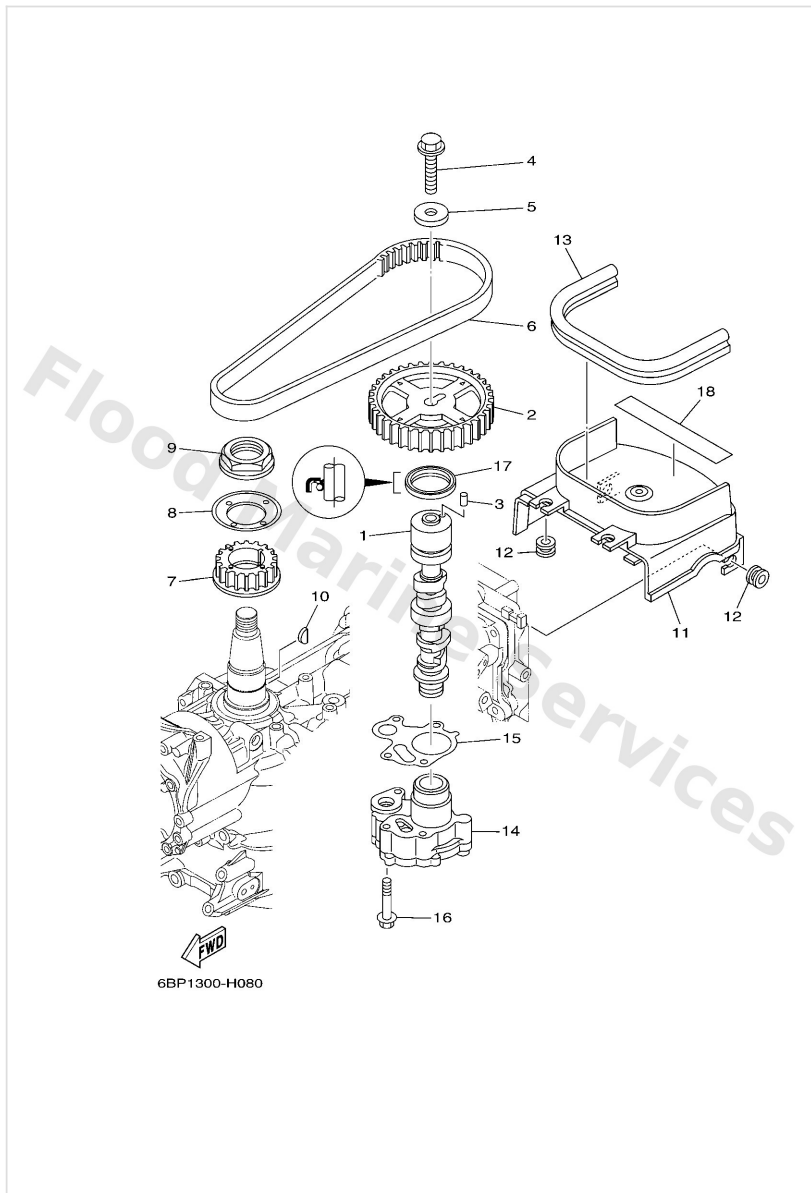
# Oil Pan



Ref	Part	
17	<a href="#">9321019MJ3</a> O-ring	<a href="#">Buy now</a>
18	<a href="#">9589506016</a> Bolt, flange deep recess	<a href="#">Buy now</a>
19	<a href="#">9360812M05</a> Pin, dowel b (6e5)	<a href="#">Buy now</a>

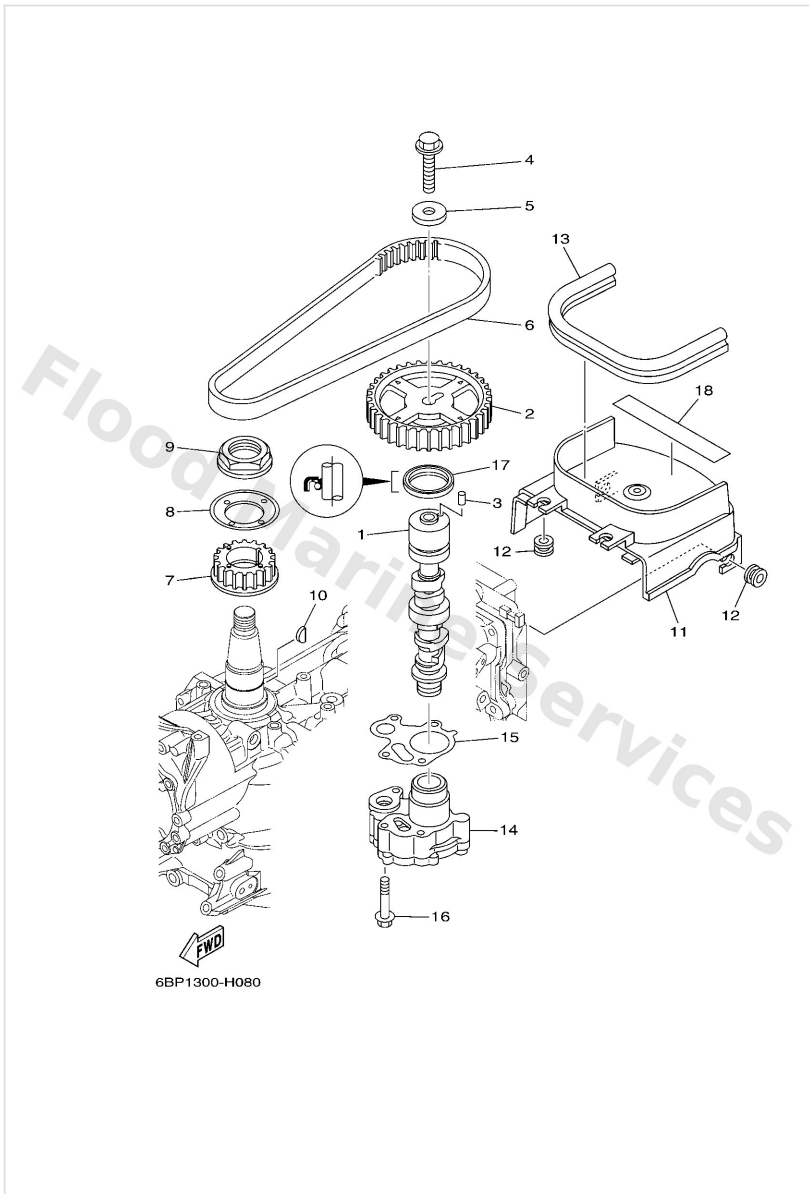


# Oil Pump



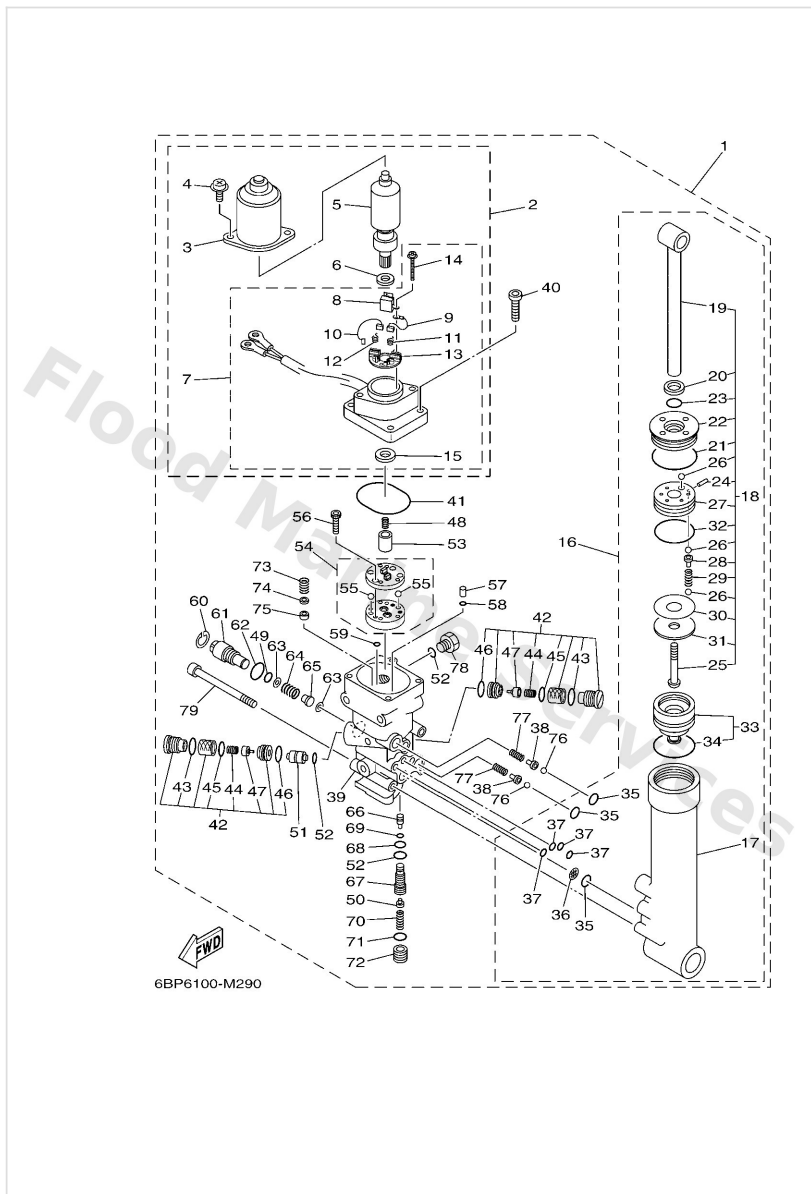
Ref	Part	
1	<a href="#">6BL1217000</a> Camshaft assembly 1	<a href="#">Buy now</a>
1	<a href="#">6BL1217100</a> Camshaft 1	<a href="#">Buy now</a>
2	<a href="#">6C51153700</a> Gear, driven	<a href="#">Buy now</a>
3	<a href="#">9360517002</a> Pin, dowel	<a href="#">Buy now</a>
4	<a href="#">9581710035</a> Bolt, washer based (2h9)	<a href="#">Buy now</a>
5	<a href="#">9020110144</a> Washer plate 810176580000	<a href="#">Buy now</a>
6	<a href="#">6C54624100</a> Belt	<a href="#">Buy now</a>
7	<a href="#">6C51153600</a> Gear, drive	<a href="#">Buy now</a>
8	<a href="#">62Y1155700</a> Washer 1	<a href="#">Buy now</a>
9	<a href="#">9017935001</a> Nut	<a href="#">Buy now</a>
10	<a href="#">9028003M01</a> Key woodruff 146115450000	<a href="#">Buy now</a>
11	<a href="#">6BL4629700</a> Cover, dust	<a href="#">Buy now</a>
12	<a href="#">9048012314</a> Grommet(3aa)	<a href="#">Buy now</a>
13	<a href="#">6BL4261700</a> Damper, form	<a href="#">Buy now</a>
14	<a href="#">6BL1330000</a> Oil pump assembly	<a href="#">Buy now</a>

# Oil Pump



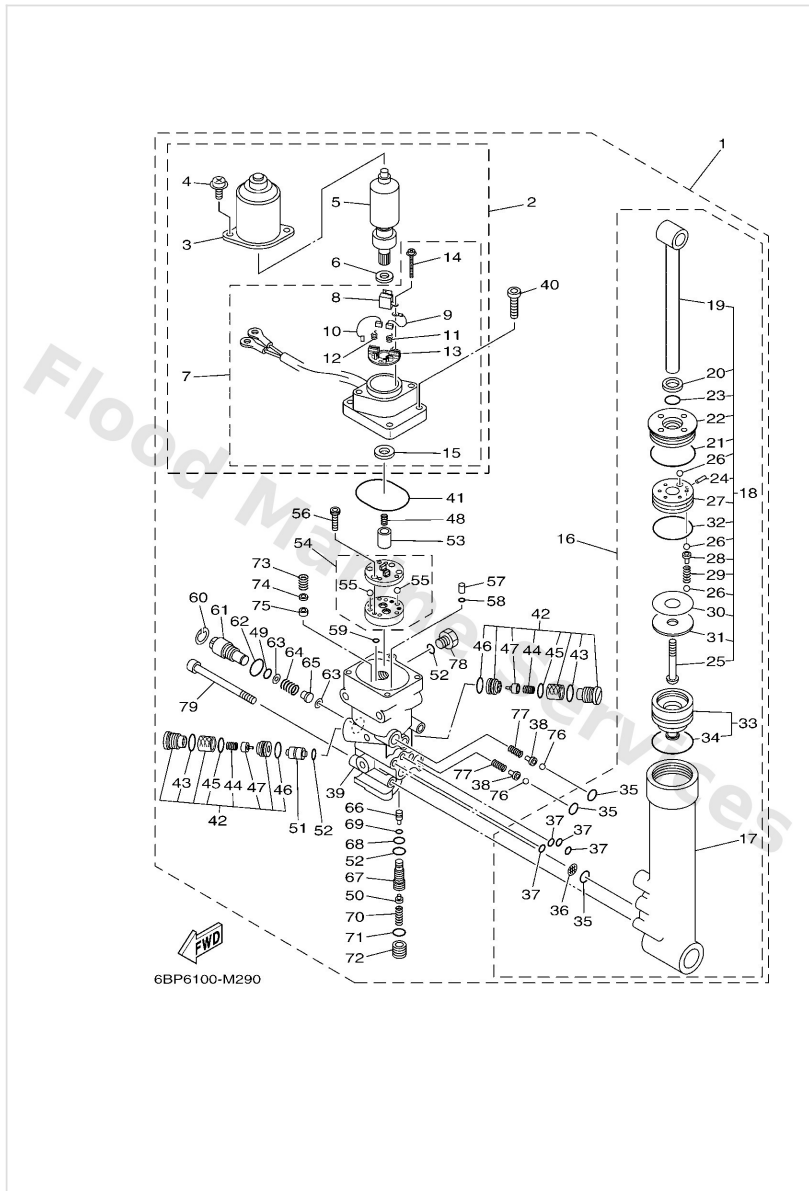
Ref	Part	
15	<a href="#">6C51332900</a> Gasket, pump cover	<a href="#">Buy now</a>
16	<a href="#">9011906025</a> Bolt, with washer	<a href="#">Buy now</a>
17	<a href="#">9310237M40</a> Oil seal(62y)	<a href="#">Buy now</a>
18	<a href="#">6BP1343760</a> Mark, caution	<a href="#">Buy now</a>

# Power Trim & Tilt Assy



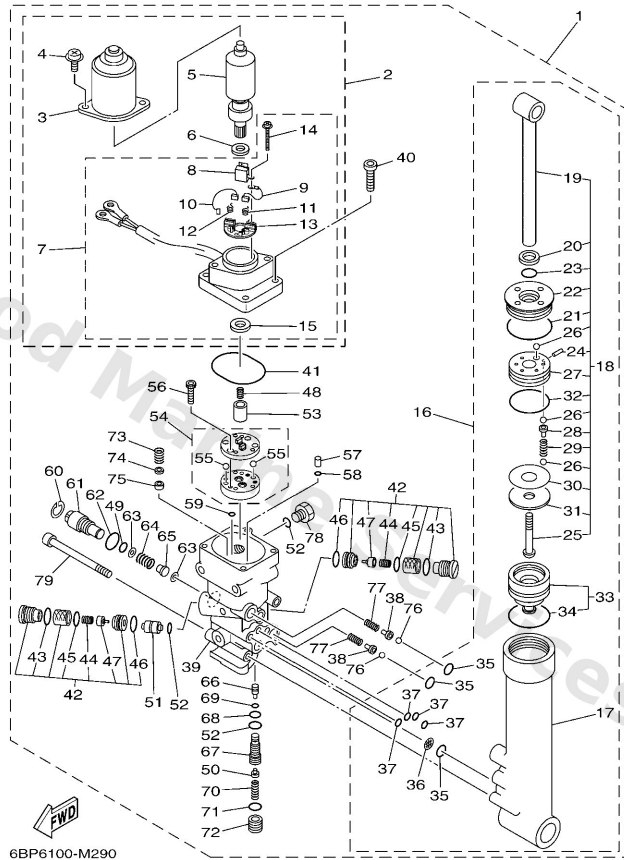
Ref	Part	
1	<a href="#">65W43800204D</a> Power trim & tilt assembly	<a href="#">Buy now</a>
2	<a href="#">65W4388001</a> Motor assembly (hitachi)	<a href="#">Buy now</a>
3	<a href="#">65W4380401</a> Stator assembly	<a href="#">Buy now</a>
4	<a href="#">65W4388701</a> Bolt	<a href="#">Buy now</a>
5	<a href="#">65W4380501</a> Armature assembly	<a href="#">Buy now</a>
6	<a href="#">65W4387G00</a> Washer	<a href="#">Buy now</a>
7	<a href="#">65W4388101</a> Frame, end	<a href="#">Buy now</a>
8	<a href="#">65W8218100</a> Circuit breaker comp.	<a href="#">Buy now</a>
9	<a href="#">65W4389201</a> Brush 2	<a href="#">Buy now</a>
10	<a href="#">65W4389101</a> Brush 1	<a href="#">Buy now</a>
11	<a href="#">65W4386K01</a> Spring, brush	<a href="#">Buy now</a>
12	<a href="#">65W4386L00</a> Spring, brush 2	<a href="#">Buy now</a>
13	<a href="#">65W4380F01</a> Plate, brush holder	<a href="#">Buy now</a>
14	<a href="#">65W4387901</a> Screw, with washer	<a href="#">Buy now</a>
15	<a href="#">65W4388201</a> Oil seal	<a href="#">Buy now</a>

# Power Trim & Tilt Assy



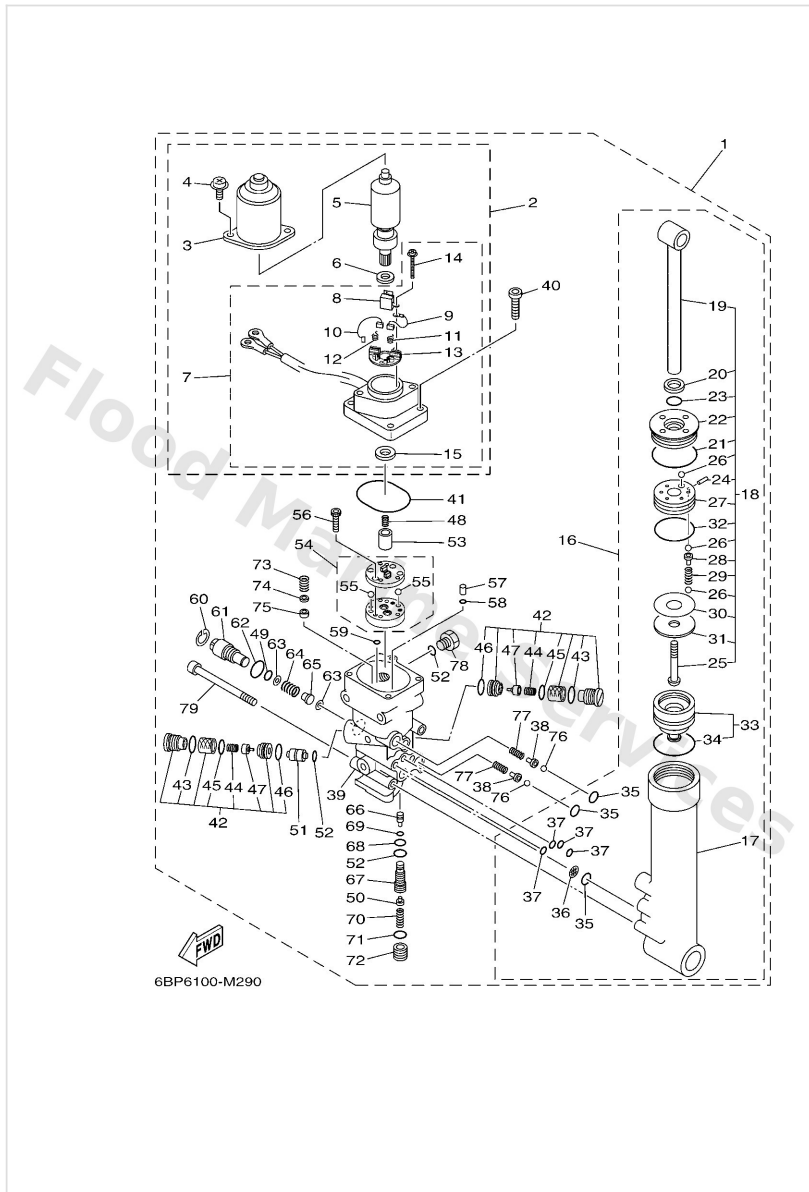
Ref	Part	
16	<a href="#">65W4384001</a> Power tilt assembly	<a href="#">Buy now</a>
17	<a href="#">65W4380K00</a> Cylinder, tilt sub assembly	<a href="#">Buy now</a>
18	<a href="#">65W4381001</a> Tilt piston sub assembly	<a href="#">Buy now</a>
19	<a href="#">65W4380101</a> Rod	<a href="#">Buy now</a>
20	<a href="#">65W4381200</a> Seal, dust	<a href="#">Buy now</a>
21	<a href="#">65W4386500</a> O-ring	<a href="#">Buy now</a>
22	<a href="#">65W4381101</a> Screw, cylinder end	<a href="#">Buy now</a>
23	<a href="#">67C4386700</a> O-ring	<a href="#">Buy now</a>
24	<a href="#">9160916012</a> 91609-16012	<a href="#">Buy now</a>
25	<a href="#">67C4388600</a> Bolt	<a href="#">Buy now</a>
26	<a href="#">9350532038</a> Ball(7fk)	<a href="#">Buy now</a>
27	<a href="#">65W4385A01</a> Piston, tilt	<a href="#">Buy now</a>
28	<a href="#">65W4386A00</a> Pin, absorber valve	<a href="#">Buy now</a>
29	<a href="#">65W4385700</a> Spring, absorber valve	<a href="#">Buy now</a>
30	<a href="#">15A2244200</a> Shim UN	<a href="#">Buy now</a>

# Power Trim & Tilt Assy



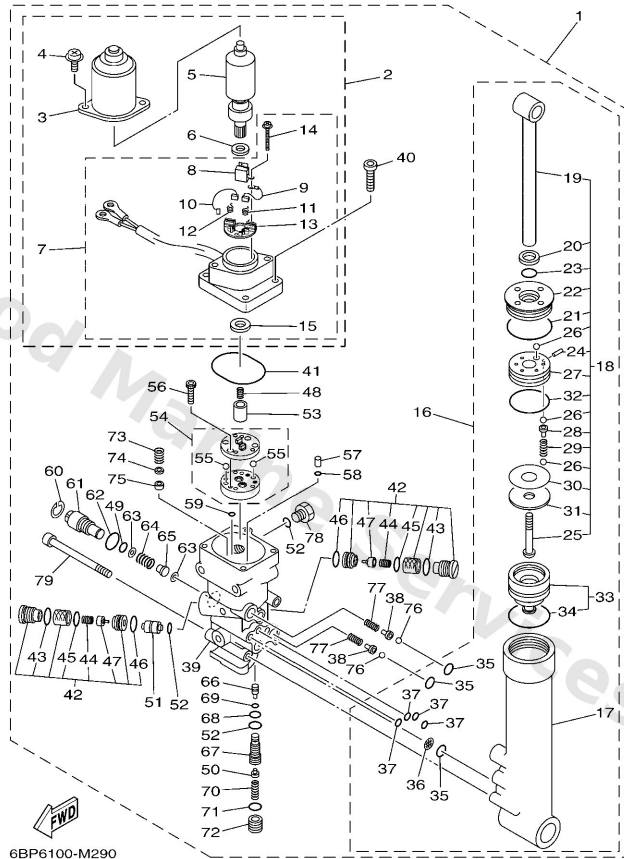
Ref	Part	
31	<a href="#">9020110038</a> Washer, plate	<a href="#">Buy now</a>
32	<a href="#">6H14386200</a> O-ring	<a href="#">Buy now</a>
33	<a href="#">65W4381B00</a> Free piston sub assembly	<a href="#">Buy now</a>
34	<a href="#">6H14386110</a> O-ring	<a href="#">Buy now</a>
35	<a href="#">9321011368</a> O-ring (2h7)	<a href="#">Buy now</a>
36	<a href="#">69J4381C00</a> Filter 3	<a href="#">Buy now</a>
37	<a href="#">93210064A5</a> O-ring(61a)	<a href="#">Buy now</a>
39	<a href="#">65W4380L01</a> Housing, trim & tilt sub assembly	<a href="#">Buy now</a>
40	<a href="#">9138006020</a> Bolt, hexagon socket head(1jk)	<a href="#">Buy now</a>
41	<a href="#">9321050768</a> O-ring	<a href="#">Buy now</a>
42	<a href="#">6T44380203</a> Valve sub assembly	<a href="#">Buy now</a>
43	<a href="#">6H14386601</a> O-ring	<a href="#">Buy now</a>
44	<a href="#">6T44385300</a> Spring, main valve	<a href="#">Buy now</a>
45	<a href="#">9321010M74</a> O-ring	<a href="#">Buy now</a>
46	<a href="#">9321012N52</a> O-ring	<a href="#">Buy now</a>

# Power Trim & Tilt Assy



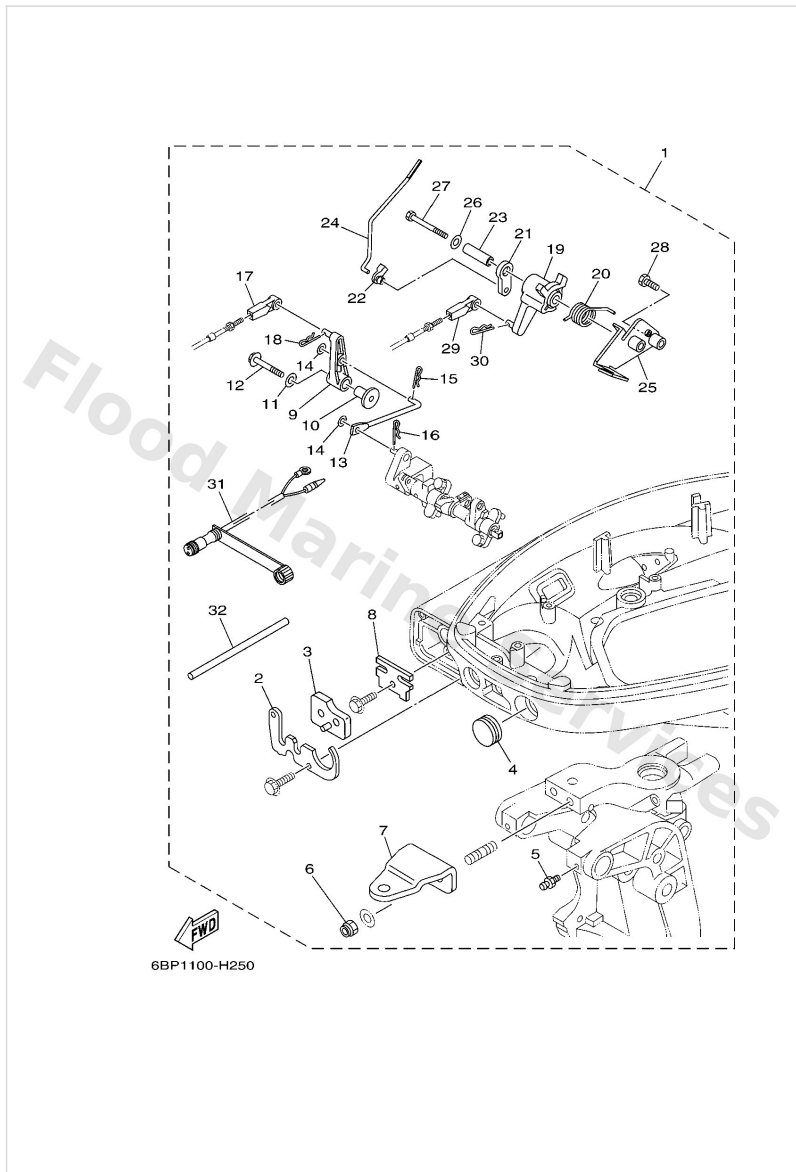
Ref	Part	
47	<a href="#">6T44380800</a> Seat valve comp. 1	<a href="#">Buy now</a>
51	<a href="#">62X4384100</a> Piston, shuttle	<a href="#">Buy now</a>
52	<a href="#">9321009165</a> O-ring	<a href="#">Buy now</a>
53	<a href="#">65W4383100</a> Connector, shaft	<a href="#">Buy now</a>
54	<a href="#">65W4383000</a> Gear pump assembly	<a href="#">Buy now</a>
56	<a href="#">9131804025</a> Bolt(62x)	<a href="#">Buy now</a>
57	<a href="#">65W4381700</a> Filter 2	<a href="#">Buy now</a>
58	<a href="#">9321004N50</a> O-ring	<a href="#">Buy now</a>
59	<a href="#">9321004N51</a> O-ring	<a href="#">Buy now</a>
60	<a href="#">6H14387500</a> Ring, snap	<a href="#">Buy now</a>
61	<a href="#">6H14384500</a> Screw, manual release	<a href="#">Buy now</a>
62	<a href="#">6D84386300</a> O-ring	<a href="#">Buy now</a>
63	<a href="#">6H14384700</a> Seat, manual valve	<a href="#">Buy now</a>
64	<a href="#">65W4385400</a> Spring, manual release	<a href="#">Buy now</a>
65	<a href="#">65W4382A00</a> Adaptor 1	<a href="#">Buy now</a>

# Power Trim & Tilt Assy



Ref	Part	
66	<a href="#">65W4384400</a> Pin, valve support	<a href="#">Buy now</a>
67	<a href="#">65W4385100</a> Seat, relief valve	<a href="#">Buy now</a>
68	<a href="#">9321008006</a> O-ring	<a href="#">Buy now</a>
69	<a href="#">9321003478</a> O-ring(31m)	<a href="#">Buy now</a>
70	<a href="#">65W4385500</a> Spring, up relief	<a href="#">Buy now</a>
71	<a href="#">9321011073</a> O-ring (p95)	<a href="#">Buy now</a>
72	<a href="#">65W4384300</a> Screw, valve lock	<a href="#">Buy now</a>
73	<a href="#">6H14385610</a> Spring, down relief	<a href="#">Buy now</a>
74	<a href="#">6H14384410</a> Pin, valve support	<a href="#">Buy now</a>
75	<a href="#">6H14384F10</a> Seal, main valve	<a href="#">Buy now</a>
76	<a href="#">9350108001</a> Ball	<a href="#">Buy now</a>
77	<a href="#">65W4385300</a> Spring, absorber valve	<a href="#">Buy now</a>
78	<a href="#">6H14382900</a> Plug, reservoir	<a href="#">Buy now</a>
79	<a href="#">62X4387801</a> Bolt, socket	<a href="#">Buy now</a>

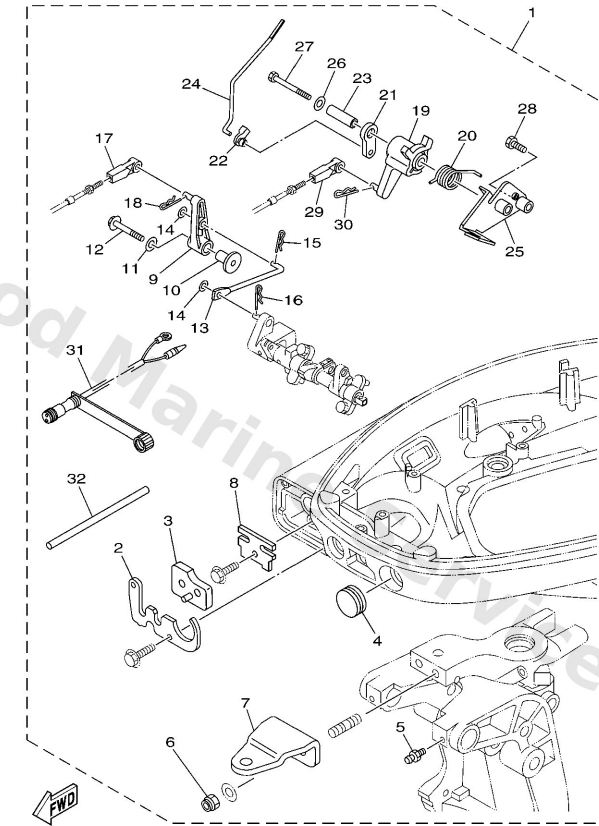
# Remo Con Attachment



Ref	Part	
1	<a href="#">6BL4850100</a> Remote cont. attachment assembly. AP	<a href="#">Buy now</a>
2	<a href="#">6BL4276100</a> Stopper	<a href="#">Buy now</a>
3	<a href="#">6BL4272700</a> Grommet	<a href="#">Buy now</a>
4	<a href="#">65W4272610</a> Grommet	<a href="#">Buy now</a>
5	<a href="#">9370006M03</a> Nipple, grease(6a1)	<a href="#">Buy now</a>
6	<a href="#">9018510051</a> Nut, self-locking	<a href="#">Buy now</a>
7	<a href="#">65W4851101</a> Hook, steering	<a href="#">Buy now</a>
8	<a href="#">6BL4853800</a> Clamp, cable 1	<a href="#">Buy now</a>
9	<a href="#">6BL4412500</a> Lever, shift rod	<a href="#">Buy now</a>
10	<a href="#">9038706M86</a> Collar	<a href="#">Buy now</a>
11	<a href="#">9020106M31</a> Washer (6a0)	<a href="#">Buy now</a>
12	<a href="#">9759506535</a> Bolt(j52)	<a href="#">Buy now</a>
13	<a href="#">6BL4419200</a> Link, shift rod	<a href="#">Buy now</a>
14	<a href="#">9020105M06</a> Washer, plate(61u)	<a href="#">Buy now</a>
15	<a href="#">9046810005</a> Pin, hair 6264123500	<a href="#">Buy now</a>



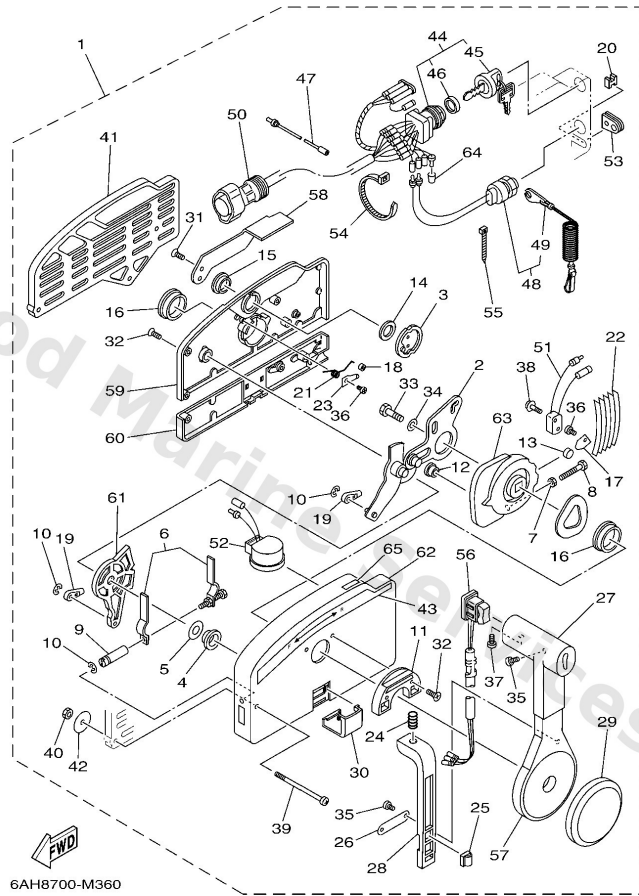
# Remo Con Attachment



6BP1100-H250

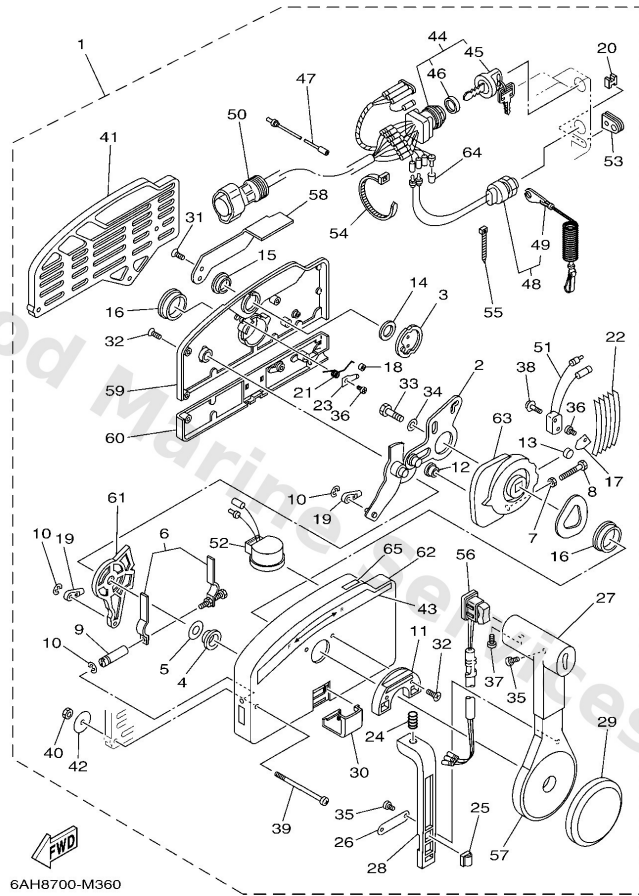
Ref	Part	
16	<a href="#">9046818001</a> Clip	<a href="#">Buy now</a>
17	<a href="#">6634834400</a> Cable end, remote control	<a href="#">Buy now</a>
18	<a href="#">9046818008</a> Clip 620436610000	<a href="#">Buy now</a>
19	<a href="#">6BL4163800</a> Pulley	<a href="#">Buy now</a>
20	<a href="#">9050820040</a> Spring, torsion	<a href="#">Buy now</a>
21	<a href="#">65W4128300</a> Lever, free accel.	<a href="#">Buy now</a>
22	<a href="#">6J84126200</a> Joint, choke lever	<a href="#">Buy now</a>
23	<a href="#">9038706139</a> Collar	<a href="#">Buy now</a>
24	<a href="#">6BL4121100</a> Link, accel.	<a href="#">Buy now</a>
25	<a href="#">6BL1457110</a> Bracket, throttle	<a href="#">Buy now</a>
27	<a href="#">9709506065</a> Bolt(jn5)	<a href="#">Buy now</a>
28	<a href="#">9709506025</a> Bolt	<a href="#">Buy now</a>
31	<a href="#">6D58434000</a> Socket cord assembly 1	<a href="#">Buy now</a>
32	<a href="#">9044609M42</a> Hose(6n6)	<a href="#">Buy now</a>

# Remote Control Assy



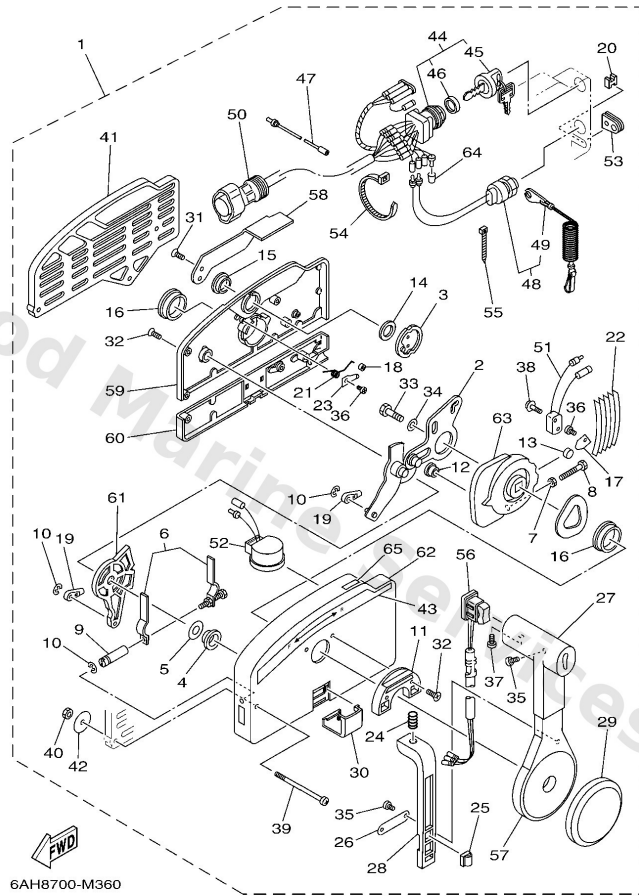
Ref	Part	
1	<a href="#">70348201A5</a> Remote control assembly (10p) AP WITHOUT PT/T SW.	<a href="#">Buy now</a>
1	<a href="#">70348205A7</a> Remote control assembly (10p, ptt) AP WITH PT/T SW.	<a href="#">Buy now</a>
2	<a href="#">7034826101</a> Arm, throttle	<a href="#">Buy now</a>
3	<a href="#">7034815300</a> Shaft, free accel.	<a href="#">Buy now</a>
4	<a href="#">7034823500</a> Bushing	<a href="#">Buy now</a>
5	<a href="#">7034826800</a> Spacer 3	<a href="#">Buy now</a>
6	<a href="#">7034826400</a> Throttle, friction	<a href="#">Buy now</a>
7	<a href="#">9538005600</a> Nut, hexagon (663)	<a href="#">Buy now</a>
8	<a href="#">9738005025</a> Bolt	<a href="#">Buy now</a>
9	<a href="#">7034826500</a> Shaft Friction	<a href="#">Buy now</a>
10	<a href="#">9343006024</a> Circlip (701)	<a href="#">Buy now</a>
11	<a href="#">7034824500</a> Plate, lock	<a href="#">Buy now</a>
12	<a href="#">7034825200</a> Roller, cam	<a href="#">Buy now</a>
13	<a href="#">7014824800</a> Roller, free accel	<a href="#">Buy now</a>
14	<a href="#">7034819800</a> Washer, wave 3	<a href="#">Buy now</a>

# Remote Control Assy



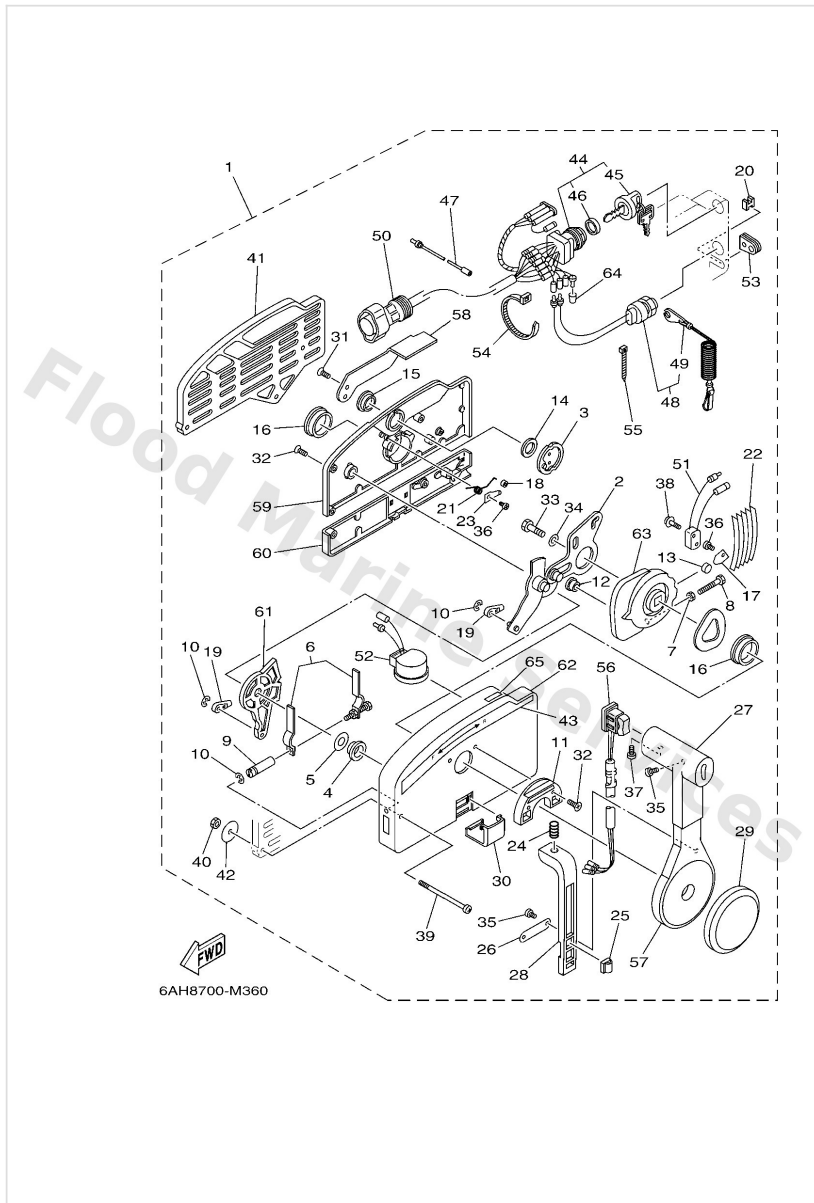
Ref	Part	
15	<a href="#">7034824300</a> Bushing 3	<a href="#">Buy now</a>
16	<a href="#">7034823600</a> Bushing	<a href="#">Buy now</a>
17	<a href="#">7034818900</a> Retainer	<a href="#">Buy now</a>
18	<a href="#">7034823400</a> Roller, detent	<a href="#">Buy now</a>
19	<a href="#">7034834501</a> Cable end, remote control 2	<a href="#">Buy now</a>
20	<a href="#">7034835800</a> Anchor, cable	<a href="#">Buy now</a>
21	<a href="#">7034824400</a> Spring, free accel.	<a href="#">Buy now</a>
22	<a href="#">7034823800</a> Spring, detent	<a href="#">Buy now</a>
23	<a href="#">7034824600</a> Spacer 1	<a href="#">Buy now</a>
24	<a href="#">7034822700</a> Spring, neutral lock	<a href="#">Buy now</a>
25	<a href="#">7038259400</a> Clamp WITH PT/T SW.	<a href="#">Buy now</a>
26	<a href="#">7034822600</a> Plate, stopper	<a href="#">Buy now</a>
27	<a href="#">7034822200</a> Grip, control lever SINGLE	<a href="#">Buy now</a>
28	<a href="#">7034822300</a> Lock, neutral	<a href="#">Buy now</a>
29	<a href="#">7034822500</a> Cover	<a href="#">Buy now</a>

# Remote Control Assy



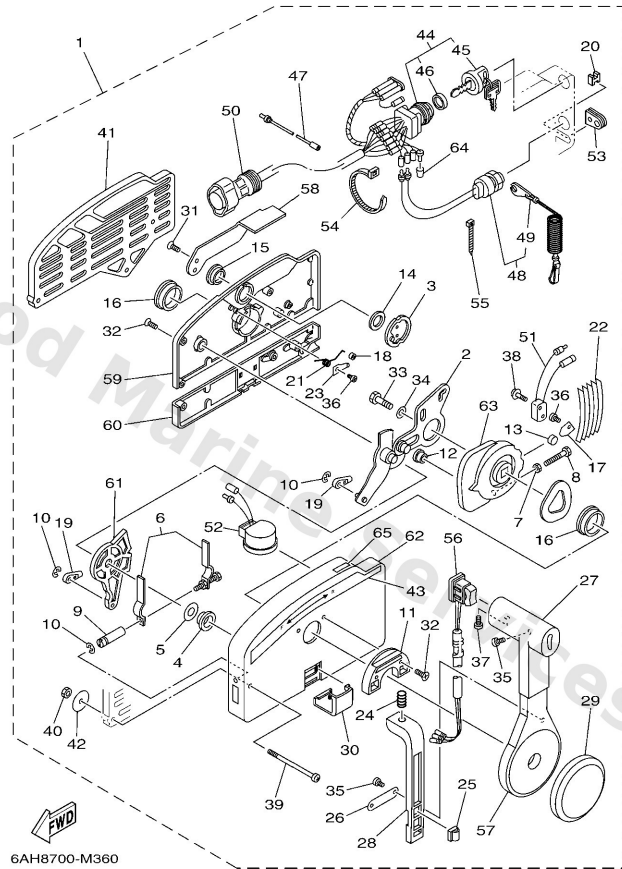
Ref	Part	
30	<a href="#">7034821900</a> Cover, lead	<a href="#">Buy now</a>
31	<a href="#">7034828100</a> Screw, flat head	<a href="#">Buy now</a>
32	<a href="#">7034828200</a> Screw	<a href="#">Buy now</a>
33	<a href="#">9738008030</a> Bolt, hexagon (fj1)	<a href="#">Buy now</a>
34	<a href="#">9299008600</a> Washer, plain (663)	<a href="#">Buy now</a>
35	<a href="#">9858004010</a> Screw, pan head (e56)	<a href="#">Buy now</a>
36	<a href="#">9858004006</a> Screw, pan head (7h3)	<a href="#">Buy now</a>
37	<a href="#">9858005010</a> Screw, pan head(62x)	<a href="#">Buy now</a>
38	<a href="#">7034812900</a> Screw 3	<a href="#">Buy now</a>
39	<a href="#">7034829110</a> Screw	<a href="#">Buy now</a>
40	<a href="#">9538006600</a> Nut(661)	<a href="#">Buy now</a>
41	<a href="#">7034829310</a> Spacer, remote control <b>SINGLE</b>	<a href="#">Buy now</a>
42	<a href="#">7014828700</a> Washer 1	<a href="#">Buy now</a>
43	<a href="#">7034821500</a> Graphic	<a href="#">Buy now</a>
44	<a href="#">7038251013</a> Main switch assembly <b>PRIME START</b>	<a href="#">Buy now</a>

# Remote Control Assy



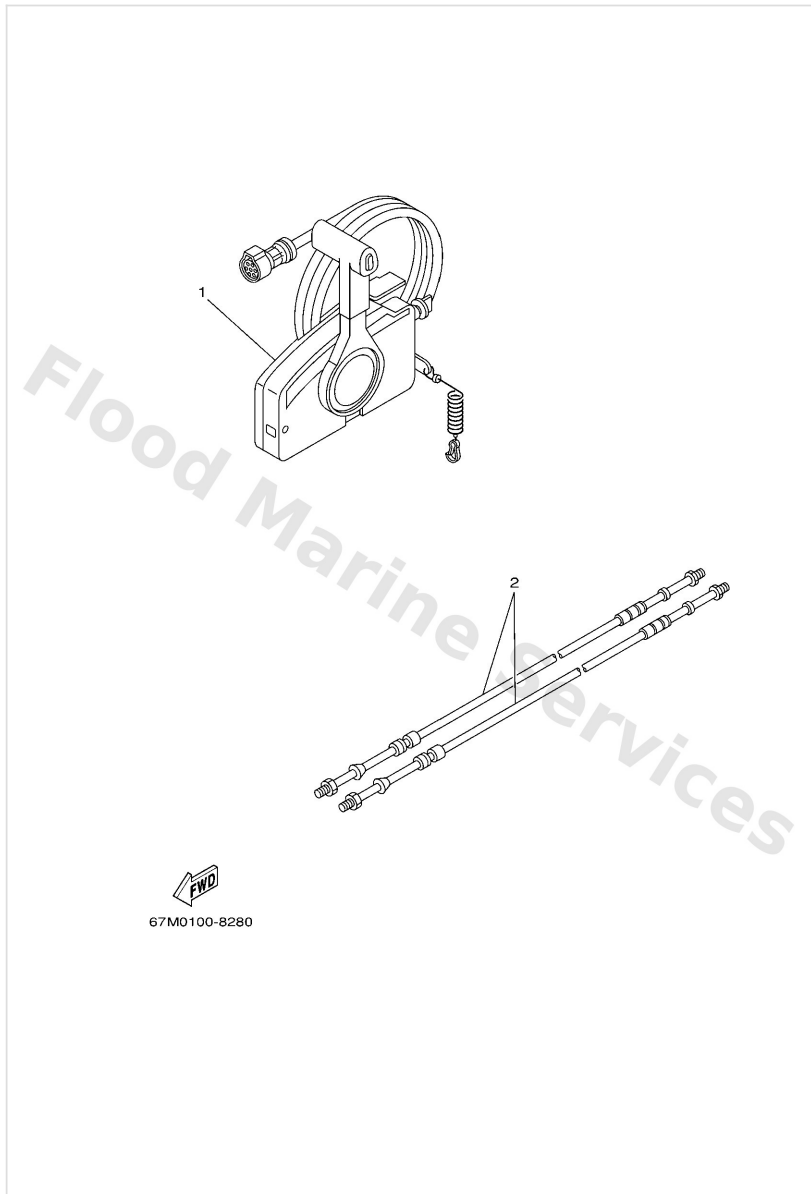
Ref	Part	
45	<a href="#">6768257701</a> Cap, key	<a href="#">Buy now</a>
46	<a href="#">7038253200</a> Cap	<a href="#">Buy now</a>
47	<a href="#">7038253100</a> Wire, lead	<a href="#">Buy now</a>
48	<a href="#">6888257501</a> Engine stop switch assembly	<a href="#">Buy now</a>
49	<a href="#">6828255600</a> Lanyard, stop switch	<a href="#">Buy now</a>
50	<a href="#">6888258A20</a> 10p main harness mec 2m (6ft) (10P)	<a href="#">Buy now</a>
51	<a href="#">7038254000</a> Neutral switch assembly	<a href="#">Buy now</a>
52	<a href="#">70383383B0</a> Buzzer	<a href="#">Buy now</a>
53	<a href="#">7034828400</a> Grommet	<a href="#">Buy now</a>
54	<a href="#">7038259100</a> Band	<a href="#">Buy now</a>
55	<a href="#">7038259200</a> Band	<a href="#">Buy now</a>
56	<a href="#">7034822400</a> Cover, control lever WITHOUT PT/T SW.	<a href="#">Buy now</a>
56	<a href="#">7038256302</a> Trim & tilt switch assembly WITH PT/T SW.	<a href="#">Buy now</a>
57	<a href="#">7034822100</a> Grip	<a href="#">Buy now</a>
58	<a href="#">7034815200</a> Knob, free accel	<a href="#">Buy now</a>

# Remote Control Assy



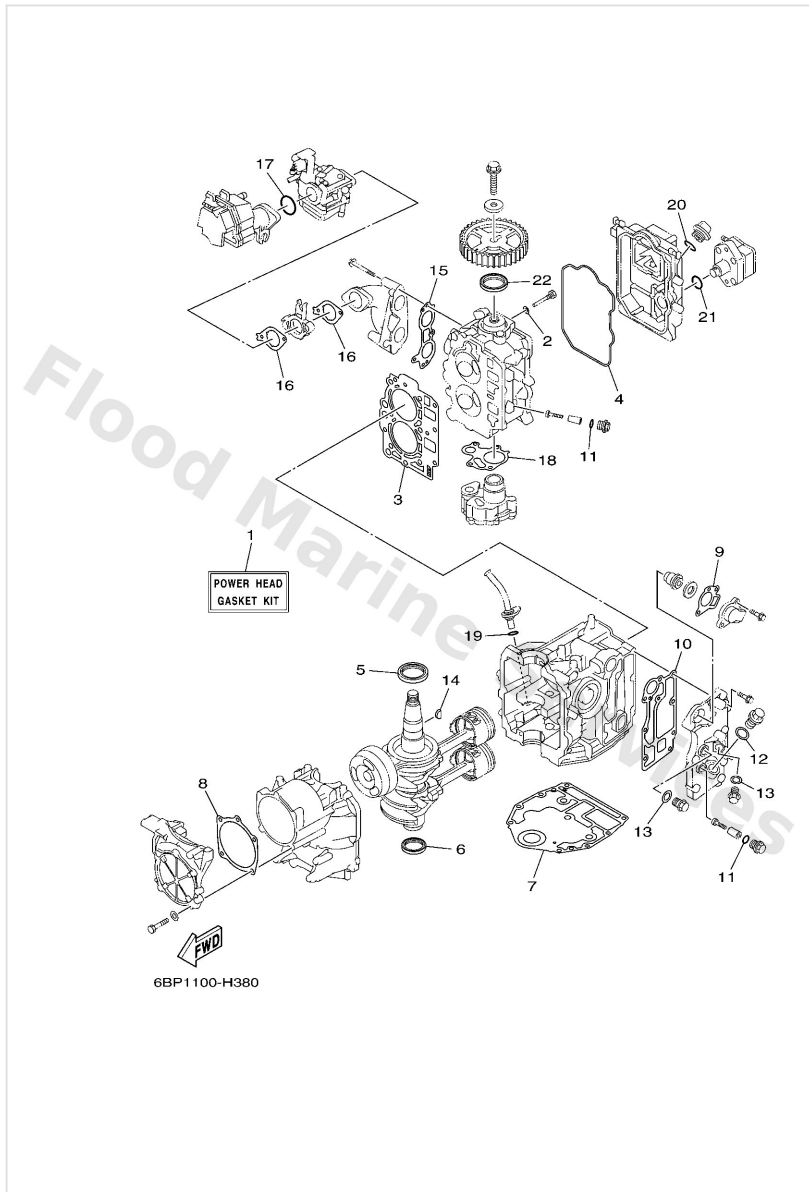
Ref	Part	
59	<a href="#">7034821200</a> Rear housing	<a href="#">Buy now</a>
60	<a href="#">7034821300</a> Back, panel	<a href="#">Buy now</a>
61	<a href="#">7034827100</a> Arm, shift	<a href="#">Buy now</a>
62	<a href="#">7034821102</a> Housing,1	<a href="#">Buy now</a>
63	<a href="#">7034823200</a> Drive gear	<a href="#">Buy now</a>
64	<a href="#">7038254200</a> Cap FOR 703-48205-A7	<a href="#">Buy now</a>
65	<a href="#">7034821800</a> Graphic	<a href="#">Buy now</a>

# Remote Control Box



Ref	Part	
1	<a href="#">70348201A5</a> Remote control assembly (10p) AP WITHOUT PT/T SW.	<a href="#">Buy now</a>
1	<a href="#">70348205A7</a> Remote control assembly (10p, ptt) AP WITH PT/T SW.	<a href="#">Buy now</a>
2	<a href="#">7014831090</a> Cable, Remote Control L=11F UR	<a href="#">Buy now</a>
2	<a href="#">7014832000</a> Cable, Remote Control L=12F UR	<a href="#">Buy now</a>
2	<a href="#">7014832020</a> Cable, Remote Control L=13F UR	<a href="#">Buy now</a>
2	<a href="#">7014832050</a> Cable, Remote Control L=15F UR	<a href="#">Buy now</a>

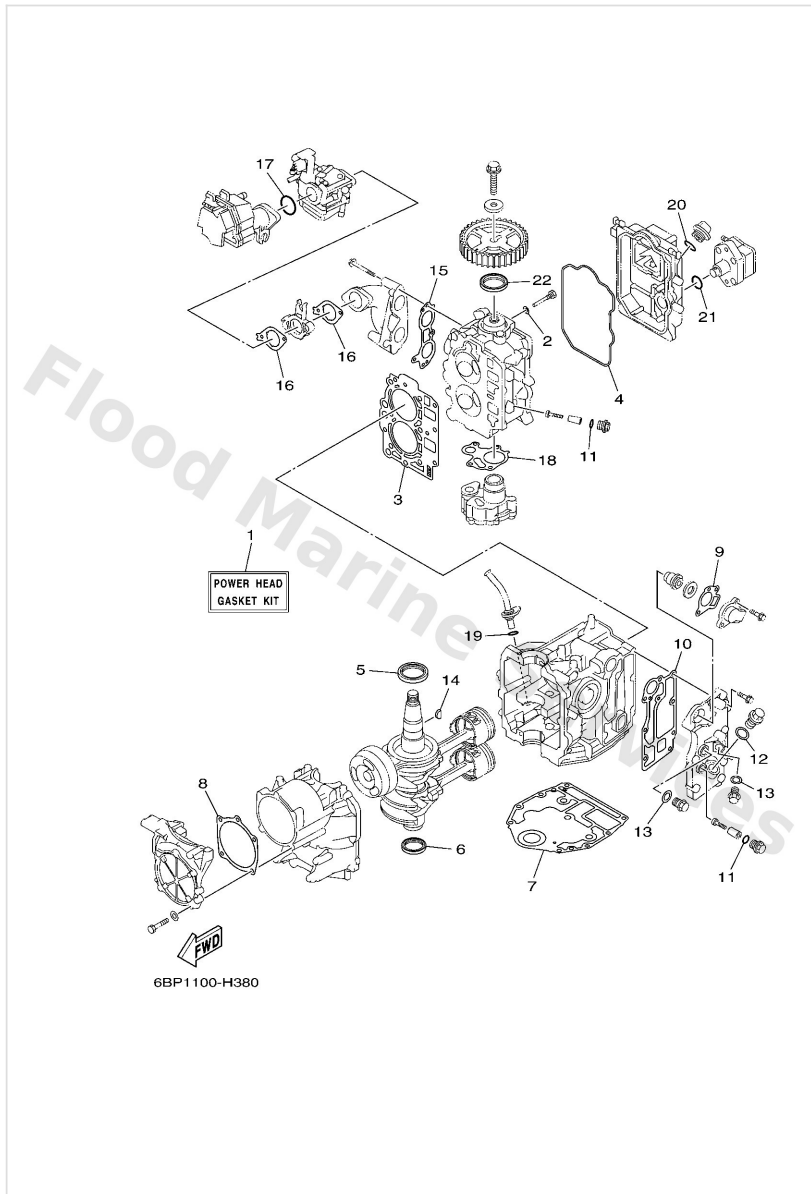
# Repair Kit 1



Ref	Part	
1	<a href="#">6BLW000100</a> Power head gasket kit	<a href="#">Buy now</a>
2	<a href="#">9043006014</a> Gasket 256113960000	<a href="#">Buy now</a>
3	<a href="#">6BL1118100</a> Gasket, cylinder head 1	<a href="#">Buy now</a>
4	<a href="#">6BL1135600</a> Seal, cylinder 2	<a href="#">Buy now</a>
5	<a href="#">9310243M42</a> Oil seal(62y)	<a href="#">Buy now</a>
6	<a href="#">9310135002</a> Oil seal	<a href="#">Buy now</a>
7	<a href="#">6BG1135100</a> Gasket, cylinder	<a href="#">Buy now</a>
8	<a href="#">6BL1566300</a> Seal	<a href="#">Buy now</a>
9	<a href="#">62Y1241400</a> Gasket, cover	<a href="#">Buy now</a>
10	<a href="#">6BL4111400</a> Gasket, exhaust outer cover	<a href="#">Buy now</a>
11	<a href="#">9321013M63</a> O-ring (6g8)	<a href="#">Buy now</a>
12	<a href="#">9043018130</a> Gasket (1j7)	<a href="#">Buy now</a>
13	<a href="#">9043014115</a> Gasket (663)	<a href="#">Buy now</a>
14	<a href="#">9028003M01</a> Key woodruff 146115450000	<a href="#">Buy now</a>
15	<a href="#">6BL1364500</a> Gasket, manifold 1	<a href="#">Buy now</a>

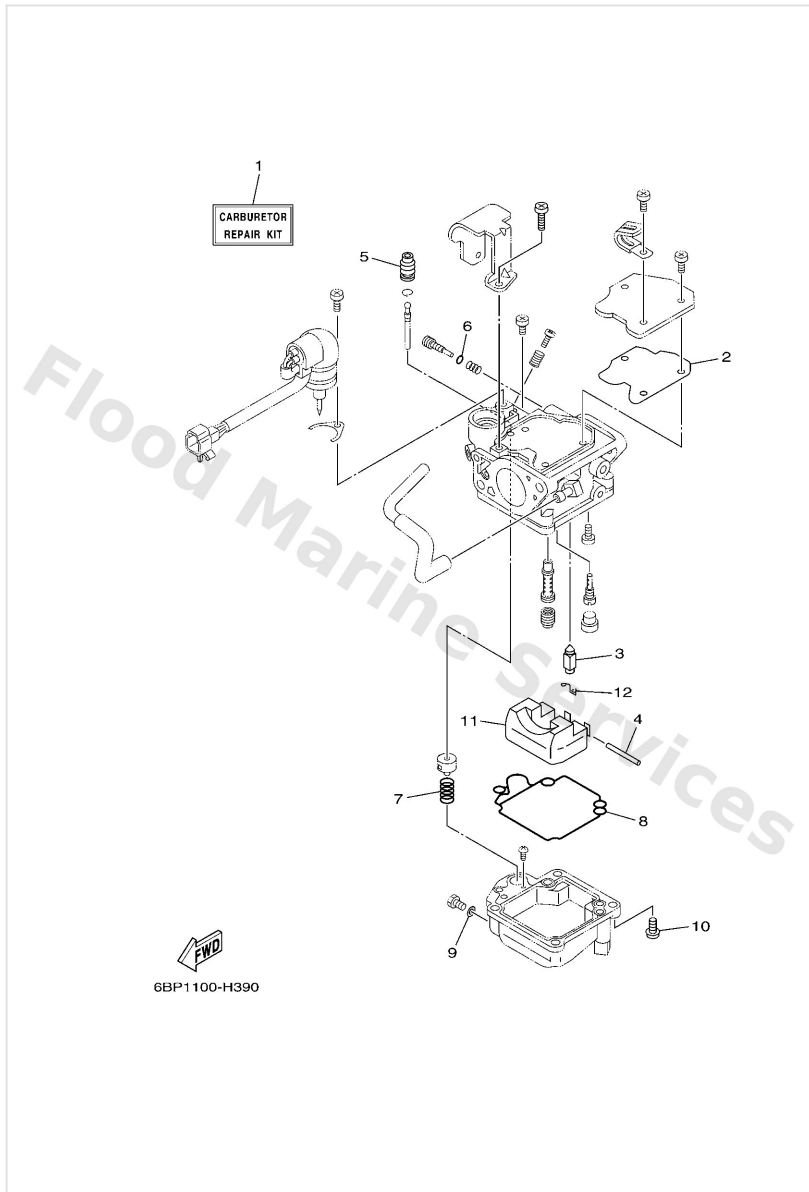


# Repair Kit 1



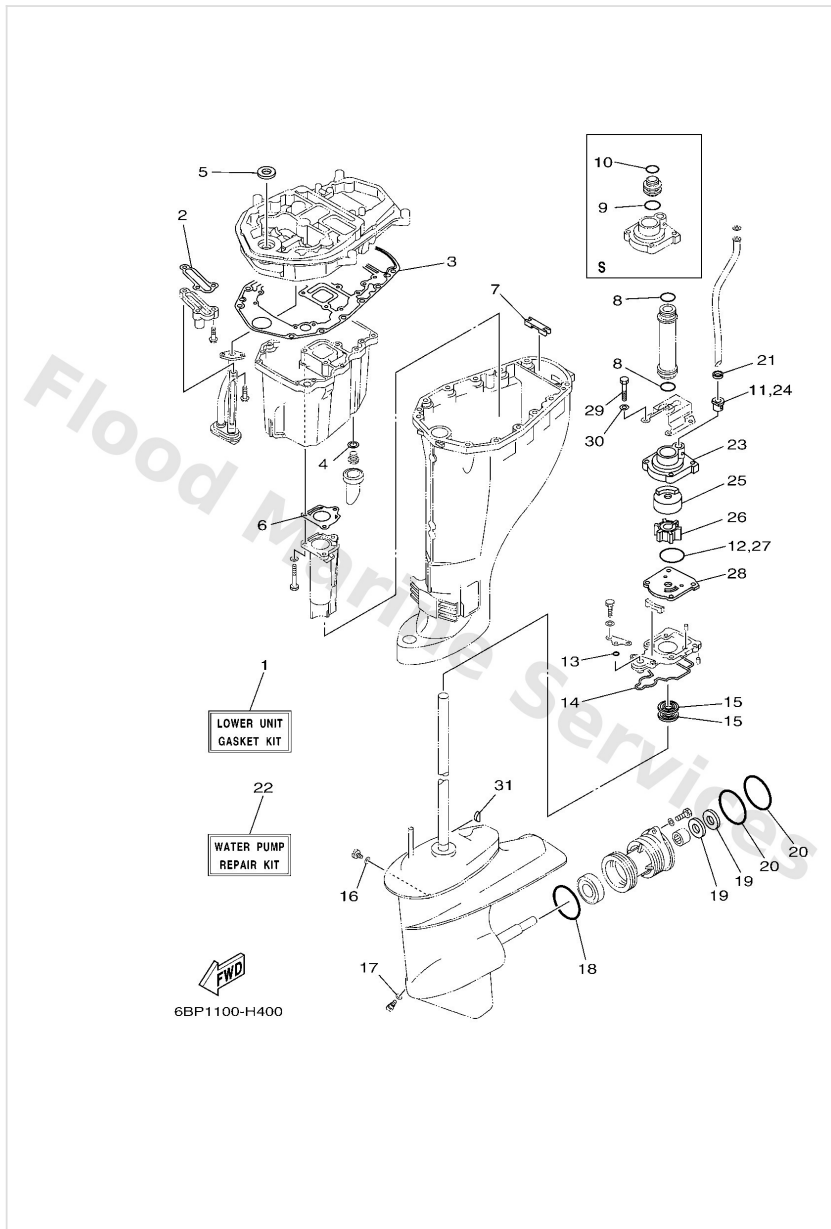
Ref	Part	
16	<a href="#">6BL1364600</a> Gasket, manifold 2	<a href="#">Buy now</a>
17	<a href="#">9321039ME4</a> O-ring(6h2)	<a href="#">Buy now</a>
18	<a href="#">6C51332900</a> Gasket, pump cover	<a href="#">Buy now</a>
19	<a href="#">9321019MJ3</a> O-ring	<a href="#">Buy now</a>
20	<a href="#">9321024M79</a> O-ring	<a href="#">Buy now</a>
22	<a href="#">9310237M40</a> Oil seal(62y)	<a href="#">Buy now</a>

## Repair Kit 2



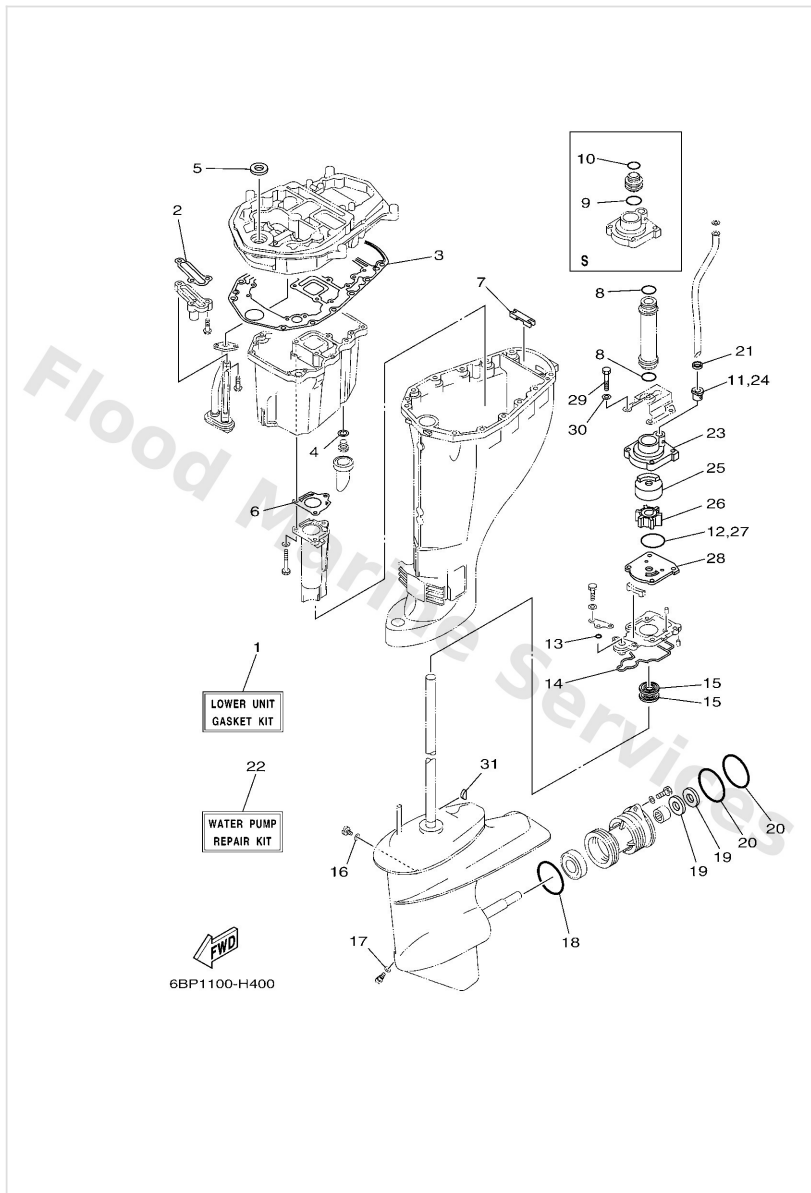
Ref	Part	
1	<a href="#">6BLW009300</a> Carburetor repair kit	<a href="#">Buy now</a>
2	<a href="#">65W1412610</a> Gasket	<a href="#">Buy now</a>
3	<a href="#">6AH1454600</a> Valve, needle	<a href="#">Buy now</a>
4	<a href="#">6H41454800</a> Pin, float arm	<a href="#">Buy now</a>
5	<a href="#">65W1437302</a> Cover, plunger cap	<a href="#">Buy now</a>
6	<a href="#">67C1439700</a> O-ring	<a href="#">Buy now</a>
7	<a href="#">65W1433500</a> Spring, plunger	<a href="#">Buy now</a>
8	<a href="#">65W1438400</a> Gasket, float chamber	<a href="#">Buy now</a>
9	<a href="#">65W1439800</a> Washer	<a href="#">Buy now</a>
10	<a href="#">9798004114</a> Screw, pan head(ga5)	<a href="#">Buy now</a>
11	<a href="#">63V1498500</a> Float	<a href="#">Buy now</a>
12	<a href="#">6631415900</a> Clip	<a href="#">Buy now</a>

# Repair Kit 3



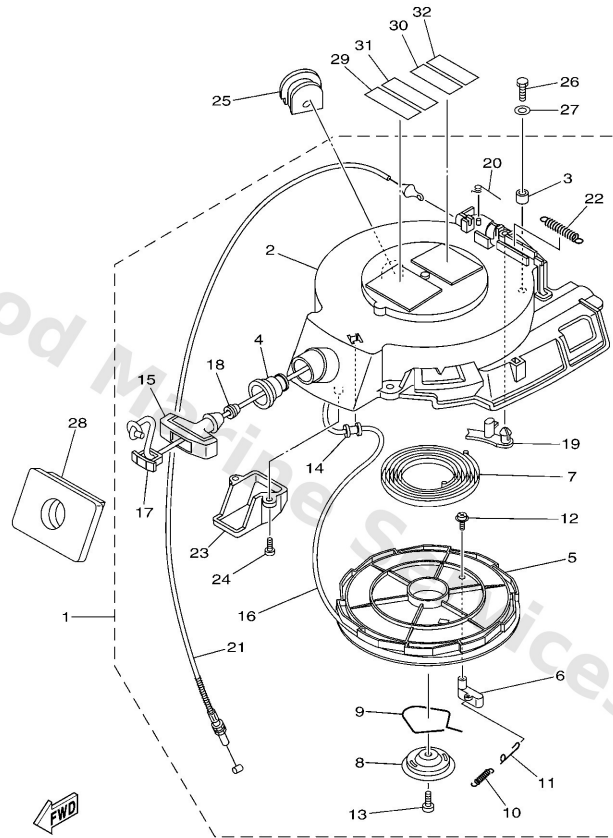
Ref	Part	
1	<a href="#">65WW000123</a> Lower unit gasket kit	<a href="#">Buy now</a>
2	<a href="#">62Y1347500</a> Gasket	<a href="#">Buy now</a>
3	<a href="#">69W1531200</a> Gasket, oil pan	<a href="#">Buy now</a>
4	<a href="#">9043014M09</a> Gasket	<a href="#">Buy now</a>
5	<a href="#">9311016004</a> Oil seal	<a href="#">Buy now</a>
6	<a href="#">67C4113300</a> Gasket, exhaust manifold 1	<a href="#">Buy now</a>
7	<a href="#">65W4512800</a> Seal 2	<a href="#">Buy now</a>
8	<a href="#">9321026130</a> O-ring L(21.6")	<a href="#">Buy now</a>
10	<a href="#">9321022164</a> O-ring S(16.6")	<a href="#">Buy now</a>
11	<a href="#">6L24436700</a> Damper, water seal 3	<a href="#">Buy now</a>
12	<a href="#">9321045161</a> O-ring	<a href="#">Buy now</a>
13	<a href="#">9321006ME6</a> O-ring	<a href="#">Buy now</a>
14	<a href="#">61N4531500</a> Packing, lower casing	<a href="#">Buy now</a>
15	<a href="#">9310122067</a> Oil seal (22x36x6-663)	<a href="#">Buy now</a>
16	<a href="#">9043008020</a> Gasket	<a href="#">Buy now</a>

# Repair Kit 3



Ref	Part	
18	<a href="#">9321064ME7</a> O-ring	<a href="#">Buy now</a>
19	<a href="#">9310120M07</a> Oil seal	<a href="#">Buy now</a>
20	<a href="#">9321065M50</a> O-ring	<a href="#">Buy now</a>
21	<a href="#">9043010002</a> Gasket	<a href="#">Buy now</a>
22	<a href="#">61NW007811</a> Water pump repair kit	<a href="#">Buy now</a>
23	<a href="#">61N4431101</a> Housing, water pump	<a href="#">Buy now</a>
25	<a href="#">61N4432201</a> Insert, cartridge	<a href="#">Buy now</a>
26	<a href="#">6H44435202</a> Impeller	<a href="#">Buy now</a>
28	<a href="#">61N4432300</a> Outer plate, cartridge	<a href="#">Buy now</a>
29	<a href="#">9709506040</a> Bolt (682)	<a href="#">Buy now</a>
30	<a href="#">9299506600</a> Washer, plain (646)	<a href="#">Buy now</a>
31	<a href="#">9028003024</a> Key, woodruff(662)	<a href="#">Buy now</a>

# Starter



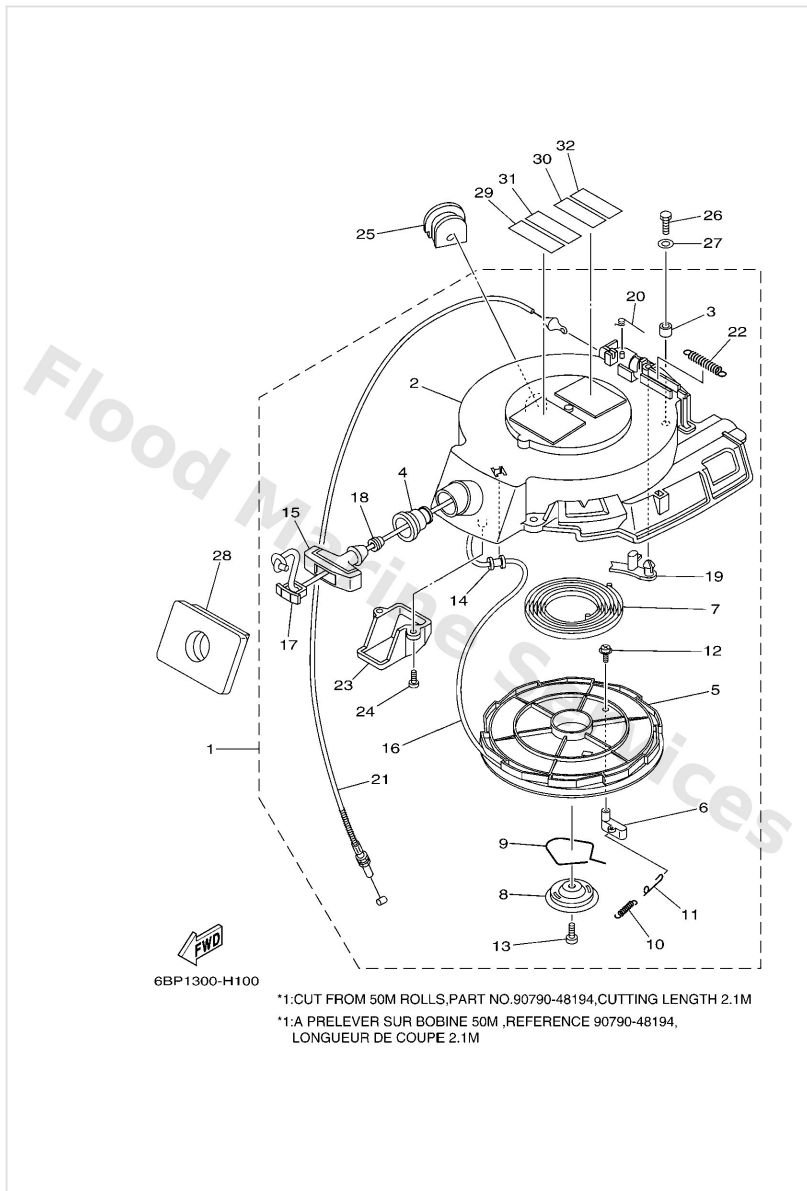
6BP1300-H100

\*1: CUT FROM 50M ROLLS, PART NO. 90790-48194, CUTTING LENGTH 2.1M

\*1:A PRELEVER SUR BOBINE 50M , REFERENCE 90790-48194, LONGUEUR DE COUPE 2.1M

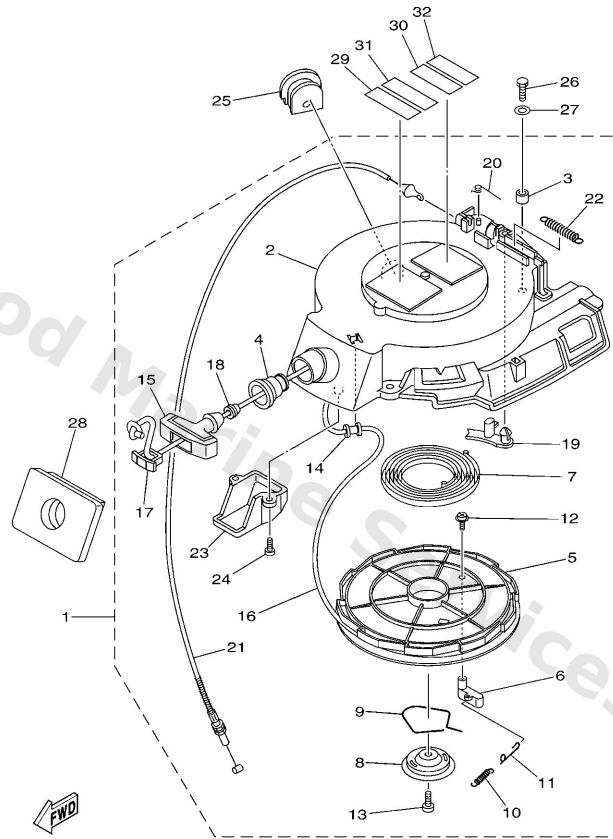
Ref	Part	
1	<a href="#">6BL1571000</a> Starter assembly	<a href="#">Buy now</a>
2	<a href="#">6BL1571100</a> Case, starter	<a href="#">Buy now</a>
3	<a href="#">67D1576400</a> Collar 1	<a href="#">Buy now</a>
4	<a href="#">6AH1579500</a> Guide, rope	<a href="#">Buy now</a>
5	<a href="#">6BL1571400</a> Drum, sheave	<a href="#">Buy now</a>
6	<a href="#">6AH1574110</a> Pawl, drive	<a href="#">Buy now</a>
7	<a href="#">66T1571300</a> Spring, starter	<a href="#">Buy now</a>
8	<a href="#">66T1571600</a> Plate, drive	<a href="#">Buy now</a>
9	<a href="#">66T1570500</a> Spring, drive pawl	<a href="#">Buy now</a>
10	<a href="#">66T1576700</a> Spring	<a href="#">Buy now</a>
11	<a href="#">66T1578400</a> Spring, return	<a href="#">Buy now</a>
12	<a href="#">6BL1579300</a> Screw	<a href="#">Buy now</a>
13	<a href="#">68T1579300</a> Screw	<a href="#">Buy now</a>
14	<a href="#">6BL1576400</a> Collar 1	<a href="#">Buy now</a>
15	<a href="#">6891575501</a> Handle, starter	<a href="#">Buy now</a>

# Starter



Ref	Part	
16	<a href="#">*</a> item_description <a href="#">*1</a>	<a href="#">Buy now</a>
17	<a href="#">6F51577902</a> Cover	<a href="#">Buy now</a>
18	<a href="#">6A01578900</a> Damper	<a href="#">Buy now</a>
19	<a href="#">68T1579400</a> Stopper	<a href="#">Buy now</a>
20	<a href="#">66T1573400</a> Spring, return	<a href="#">Buy now</a>
21	<a href="#">6BL1577000</a> Cable comp., starter stop	<a href="#">Buy now</a>
22	<a href="#">66T1573100</a> Retainer, spring	<a href="#">Buy now</a>
23	<a href="#">6BL1578200</a> Cover, sheave	<a href="#">Buy now</a>
24	<a href="#">6AH1579300</a> Screw	<a href="#">Buy now</a>
25	<a href="#">6BL1535700</a> Grommet	<a href="#">Buy now</a>
26	<a href="#">9709506020</a> Bolt(7u8)	<a href="#">Buy now</a>
27	<a href="#">9299506600</a> Washer, plain (646)	<a href="#">Buy now</a>
28	<a href="#">6BL1576200</a> Seal, rubber 2	<a href="#">Buy now</a>
29	<a href="#">6AH8199440</a> Label, safety	<a href="#">Buy now</a>
30	<a href="#">6AH8199540</a> Label, warning	<a href="#">Buy now</a>

# Starter



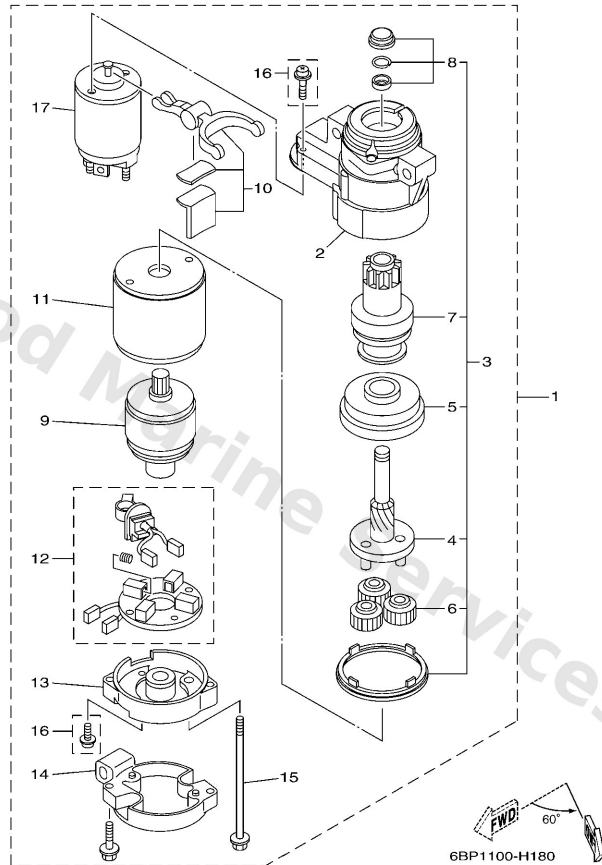
6BP1300-H100

\*1: CUT FROM 50M ROLLS, PART NO. 90790-48194, CUTTING LENGTH 2.1M

\*1: A PRELEVER SUR BOBINE 50M , REFERENCE 90790-48194, LONGUEUR DE COUPE 2.1M

Ref	Part	
31	<a href="#">6AH8199450</a> Label, safety	<a href="#">Buy now</a>
32	<a href="#">6AH8199550</a> Label, warning	<a href="#">Buy now</a>

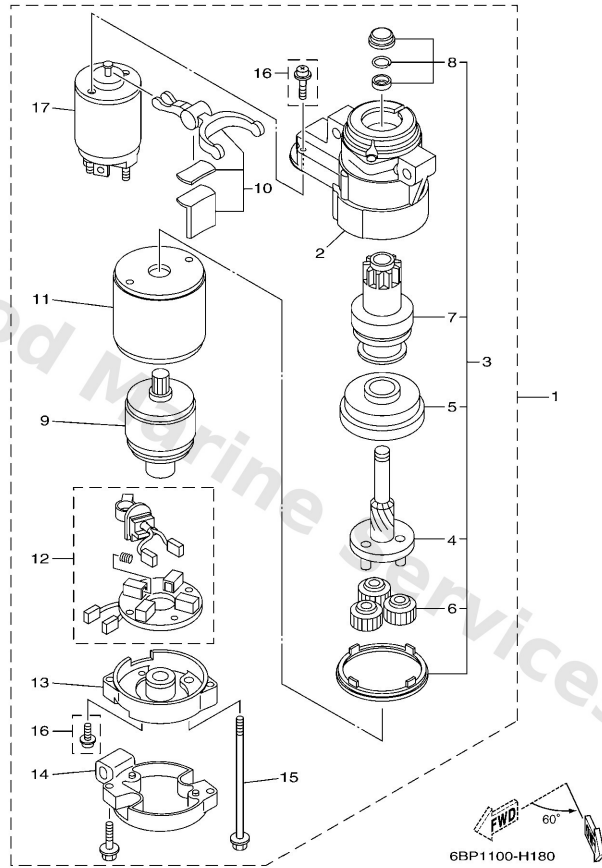
# Starting Motor



Ref	Part	
1	<a href="#">6BG8180000</a> Starting motor assembly	<a href="#">Buy now</a>
2	<a href="#">6BG8183000</a> Front bracket assembly	<a href="#">Buy now</a>
3	<a href="#">6BG8180700</a> Gear assembly, starting motor	<a href="#">Buy now</a>
4	<a href="#">6BG8183600</a> Spring, lever	<a href="#">Buy now</a>
5	<a href="#">6BG8189100</a> Gear, ring	<a href="#">Buy now</a>
6	<a href="#">6AW8183T00</a> Gear, idler	<a href="#">Buy now</a>
7	<a href="#">6BG8183200</a> Clutch, over run	<a href="#">Buy now</a>
8	<a href="#">6BG8185700</a> Pinion stopper set	<a href="#">Buy now</a>
9	<a href="#">6BG8185000</a> Armature assembly	<a href="#">Buy now</a>
10	<a href="#">6BG8183900</a> Lever assembly	<a href="#">Buy now</a>
11	<a href="#">6BG8181000</a> Stator assembly	<a href="#">Buy now</a>
12	<a href="#">6BG8184000</a> Brush holder assembly	<a href="#">Buy now</a>
13	<a href="#">6BG8182000</a> Rear bracket assembly	<a href="#">Buy now</a>
14	<a href="#">6BG8182J00</a> Bracket complete	<a href="#">Buy now</a>
15	<a href="#">6BG8182600</a> Bolt	<a href="#">Buy now</a>

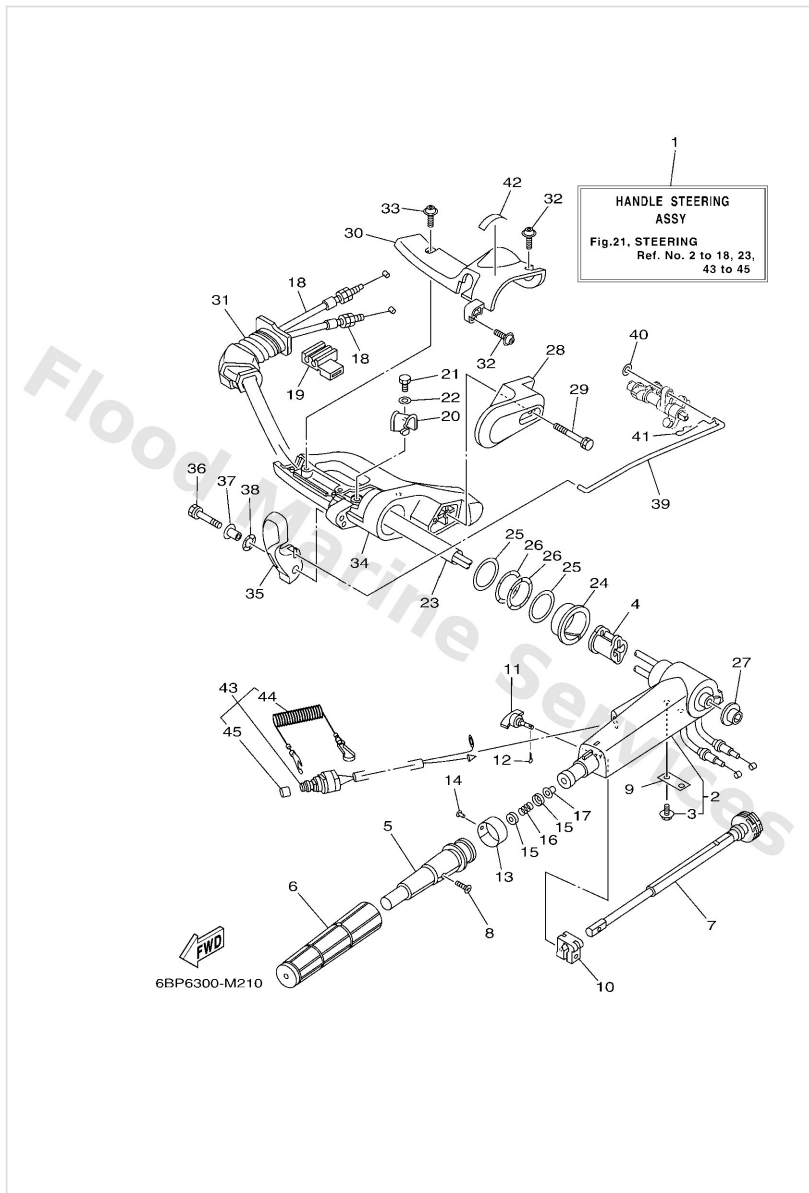


# Starting Motor



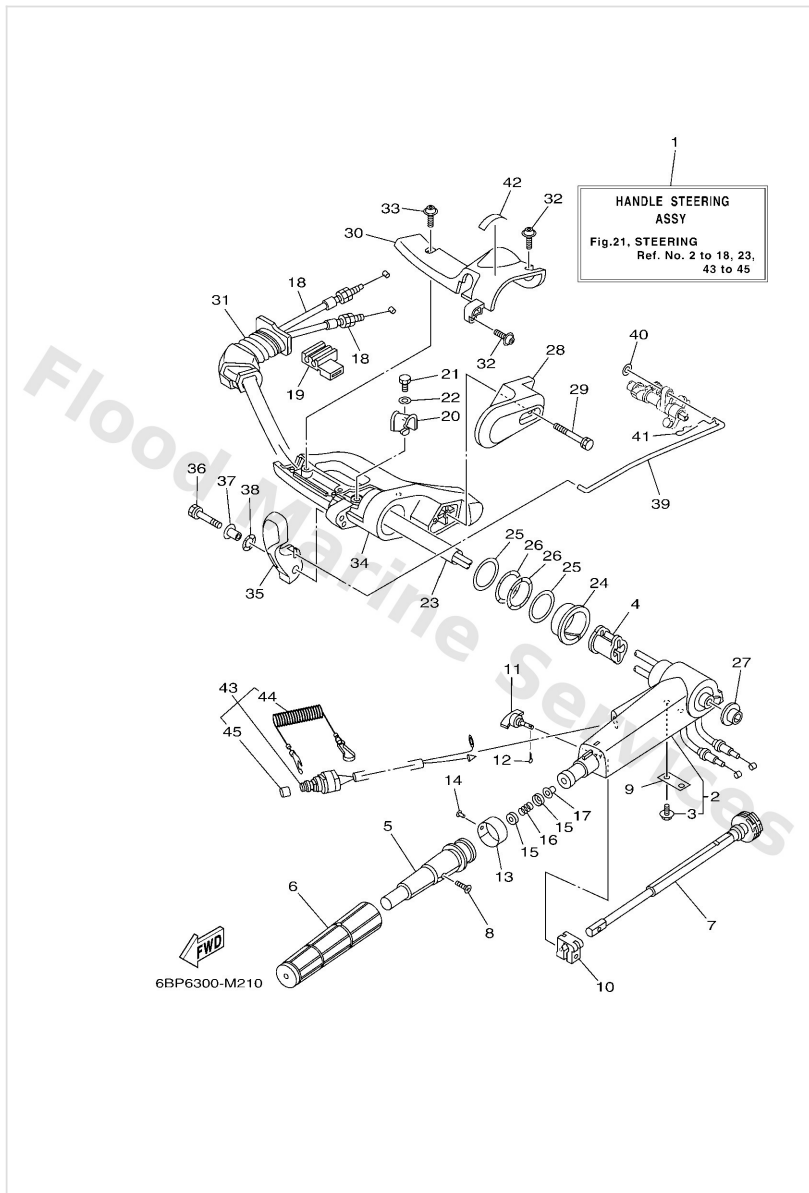
Ref	Part	
16	<a href="#">6BG8184600</a> Screw	<a href="#">Buy now</a>
17	<a href="#">6BG8194100</a> Starter relay assembly	<a href="#">Buy now</a>

# Steering



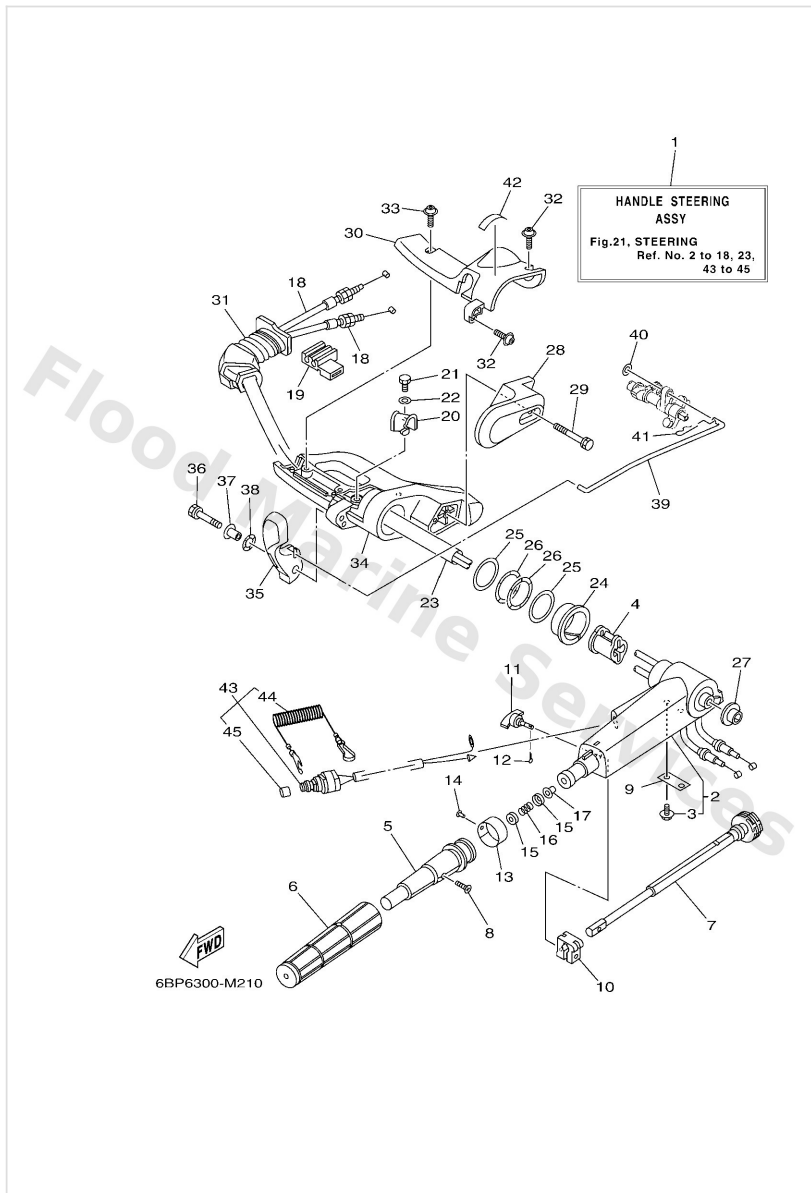
Ref	Part	
1	<a href="#">6BPW0084004D</a> Handle steering assembly	<a href="#">Buy now</a>
2	<a href="#">6AH42101014D</a> Handle, steering	<a href="#">Buy now</a>
3	<a href="#">9010906M86</a> Bolt	<a href="#">Buy now</a>
4	<a href="#">6AH2628800</a> Grommet, cable	<a href="#">Buy now</a>
5	<a href="#">66M4211901</a> Grip, steering handle	<a href="#">Buy now</a>
6	<a href="#">67D4217700</a> Rubber, handle	<a href="#">Buy now</a>
7	<a href="#">65W4213800</a> Lever, throttle	<a href="#">Buy now</a>
8	<a href="#">9015205011</a> Screw, countersunk	<a href="#">Buy now</a>
9	<a href="#">65W4215900</a> Stay	<a href="#">Buy now</a>
10	<a href="#">6G14212600</a> Piece, friction	<a href="#">Buy now</a>
11	<a href="#">65W4212500</a> Bolt, friction adjusting	<a href="#">Buy now</a>
12	<a href="#">9149016010</a> Pin, cotter	<a href="#">Buy now</a>
13	<a href="#">6J04213700</a> Indicator, throttle	<a href="#">Buy now</a>
14	<a href="#">9026902M09</a> Rivet(615)	<a href="#">Buy now</a>
15	<a href="#">6X44418800</a> Washer	<a href="#">Buy now</a>

# Steering



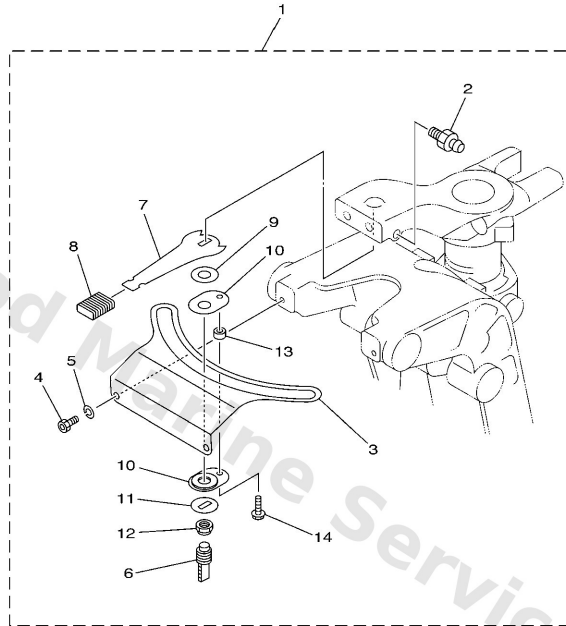
Ref	Part	
16	<a href="#">9050123215</a> Spring (655)	<a href="#">Buy now</a>
17	<a href="#">9038608004</a> Bush	<a href="#">Buy now</a>
18	<a href="#">6BP2631100</a> Cable, throttle 1	<a href="#">Buy now</a>
19	<a href="#">6BP2631600</a> Boot, throttle cable	<a href="#">Buy now</a>
20	<a href="#">6AH4455400</a> Plate	<a href="#">Buy now</a>
21	<a href="#">9709506014</a> Bolt(gj3)	<a href="#">Buy now</a>
22	<a href="#">9299506600</a> Washer, plain (646)	<a href="#">Buy now</a>
23	<a href="#">6AH2634E00</a> Protector 1	<a href="#">Buy now</a>
24	<a href="#">9038645001</a> Bush	<a href="#">Buy now</a>
25	<a href="#">9020139008</a> Washer, plate	<a href="#">Buy now</a>
26	<a href="#">9020639001</a> Washer, wave	<a href="#">Buy now</a>
27	<a href="#">9038120001</a> Bush, solid	<a href="#">Buy now</a>
28	<a href="#">6AH42131004D</a> Cover, handle steering	<a href="#">Buy now</a>
29	<a href="#">9759506555</a> Bolt, hexagon w/w deep recess	<a href="#">Buy now</a>
30	<a href="#">6BL4253200</a> Cover	<a href="#">Buy now</a>

# Steering



Ref	Part	
31	<a href="#">6BL4213100</a> Cover, handle steering	<a href="#">Buy now</a>
32	<a href="#">9011106072</a> Bolt, hex. socket button	<a href="#">Buy now</a>
34	<a href="#">6BL42121004D</a> Bracket	<a href="#">Buy now</a>
35	<a href="#">6AH4411100</a> Handle, gear shift	<a href="#">Buy now</a>
36	<a href="#">9011906M05</a> Bolt, with washer(6I2)	<a href="#">Buy now</a>
37	<a href="#">9038706M86</a> Collar	<a href="#">Buy now</a>
38	<a href="#">9020615M18</a> Washer, wave(6I2)	<a href="#">Buy now</a>
39	<a href="#">6BL4412400</a> Link, shift rod	<a href="#">Buy now</a>
40	<a href="#">9299006200</a> Ybs66-6 washer, plain	<a href="#">Buy now</a>
41	<a href="#">9046818008</a> Clip 620436610000	<a href="#">Buy now</a>
42	<a href="#">6G84419100</a> Indicator, shift	<a href="#">Buy now</a>
43	<a href="#">6BL8257500</a> Engine stop switch assembly	<a href="#">Buy now</a>
44	<a href="#">6828255600</a> Lanyard, stop switch	<a href="#">Buy now</a>
45	<a href="#">6898257Y00</a> Cap	<a href="#">Buy now</a>

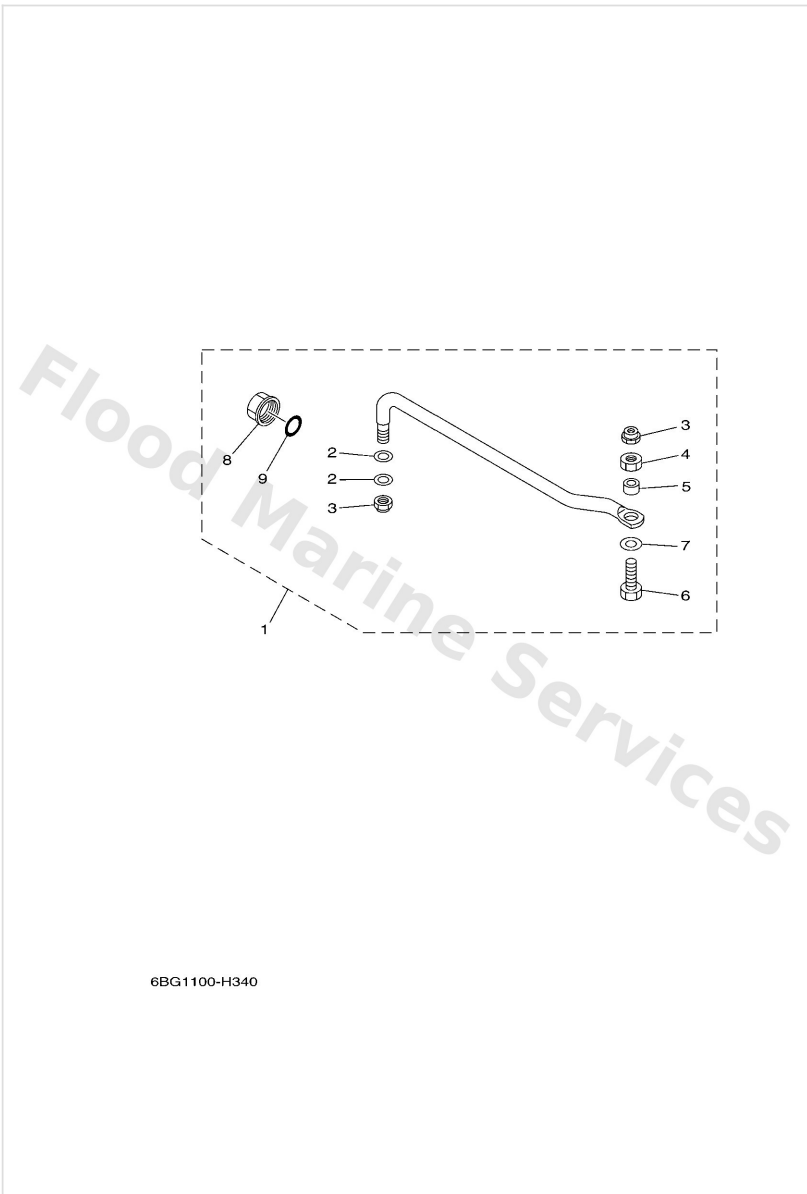
# Steering Friction



65W1010-2180

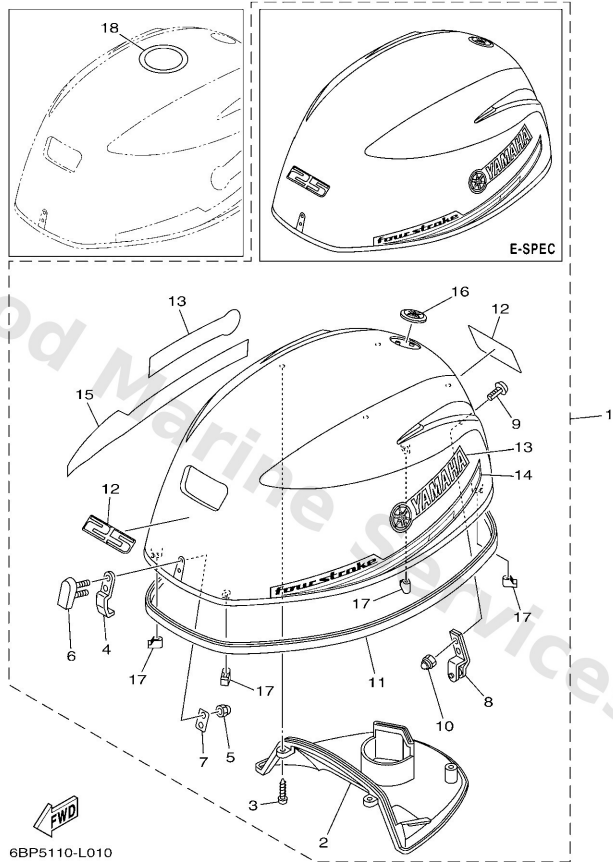
Ref	Part	
1	<a href="#">65W4250800</a> Steering friction assembly	<a href="#">Buy now</a>
2	<a href="#">9370006M03</a> Nipple, grease(6a1)	<a href="#">Buy now</a>
3	<a href="#">65W4252700</a> Plate, friction	<a href="#">Buy now</a>
4	<a href="#">9010906M88</a> Bolt(61a)	<a href="#">Buy now</a>
5	<a href="#">9299006100</a> Washer(6a1)	<a href="#">Buy now</a>
6	<a href="#">65W4256200</a> Shaft, steering lock	<a href="#">Buy now</a>
7	<a href="#">65W4256100</a> Knob, steering lock	<a href="#">Buy now</a>
8	<a href="#">6894363300</a> Cover, tilt lever	<a href="#">Buy now</a>
9	<a href="#">9020210M56</a> Washer, plate	<a href="#">Buy now</a>
10	<a href="#">65W4252800</a> Plate, friction	<a href="#">Buy now</a>
11	<a href="#">9020910M26</a> Washer	<a href="#">Buy now</a>
12	<a href="#">9018510M14</a> Nut, self-locking	<a href="#">Buy now</a>
13	<a href="#">9038705054</a> Collar	<a href="#">Buy now</a>
14	<a href="#">9010905M89</a> Bolt, with washer	<a href="#">Buy now</a>

# Steering Guide



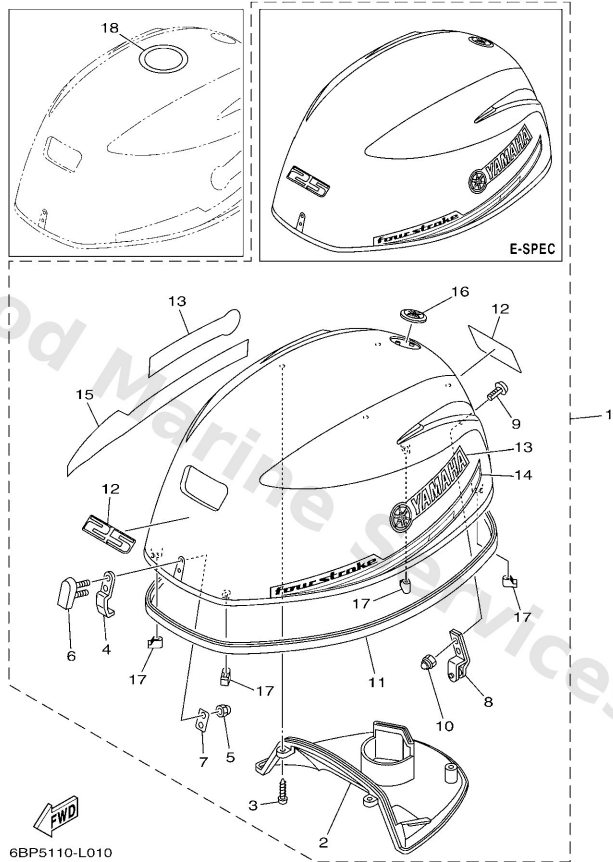
Ref	Part	
1	<a href="#">6BG6135000</a> Steering guide attachment kit AP	<a href="#">Buy now</a>
2	<a href="#">9020110M20</a> Washer, plate (663)	<a href="#">Buy now</a>
3	<a href="#">9018509M01</a> Nut, nylon (663)	<a href="#">Buy now</a>
4	<a href="#">9017009M03</a> Nut (689)	<a href="#">Buy now</a>
5	<a href="#">9038710M42</a> Coller (688)	<a href="#">Buy now</a>
6	<a href="#">9010109M01</a> Bolt(62x)	<a href="#">Buy now</a>
7	<a href="#">9020110M63</a> Washer, plate	<a href="#">Buy now</a>
8	<a href="#">6E54314501</a> Cap, clamp bracket	<a href="#">Buy now</a>
9	<a href="#">9321016275</a> O-ring	<a href="#">Buy now</a>

# Top Cowling



Ref	Part	
1	<a href="#">6BP4261041</a> Top cowling assembly (6bp-41)	<a href="#">Buy now</a>
1	<a href="#">6BP4261051</a> Top cowling assembly	<a href="#">Buy now</a>
2	<a href="#">6BL4261300</a> Molding, air duct	<a href="#">Buy now</a>
3	<a href="#">9016705017</a> Screw, tapping	<a href="#">Buy now</a>
4	<a href="#">6BL4265100</a> Hook	<a href="#">Buy now</a>
5	<a href="#">9538005800</a> Nut(j44)	<a href="#">Buy now</a>
6	<a href="#">6BG4285100</a> Cover, clamp	<a href="#">Buy now</a>
7	<a href="#">6BG4264900</a> Holder, clamp band	<a href="#">Buy now</a>
8	<a href="#">6BL4265200</a> Hook	<a href="#">Buy now</a>
9	<a href="#">9010906047</a> Bolt	<a href="#">Buy now</a>
10	<a href="#">9018506M05</a> Nut, self-locking(6e9)	<a href="#">Buy now</a>
11	<a href="#">6CJ4261500</a> Seal	<a href="#">Buy now</a>
12	<a href="#">6BP4267710</a> Graphic, front	<a href="#">Buy now</a>
13	<a href="#">6BP4268100</a> Mark, cowling	<a href="#">Buy now</a>
14	<a href="#">6BP4267510</a> Graphic, side 1	<a href="#">Buy now</a>

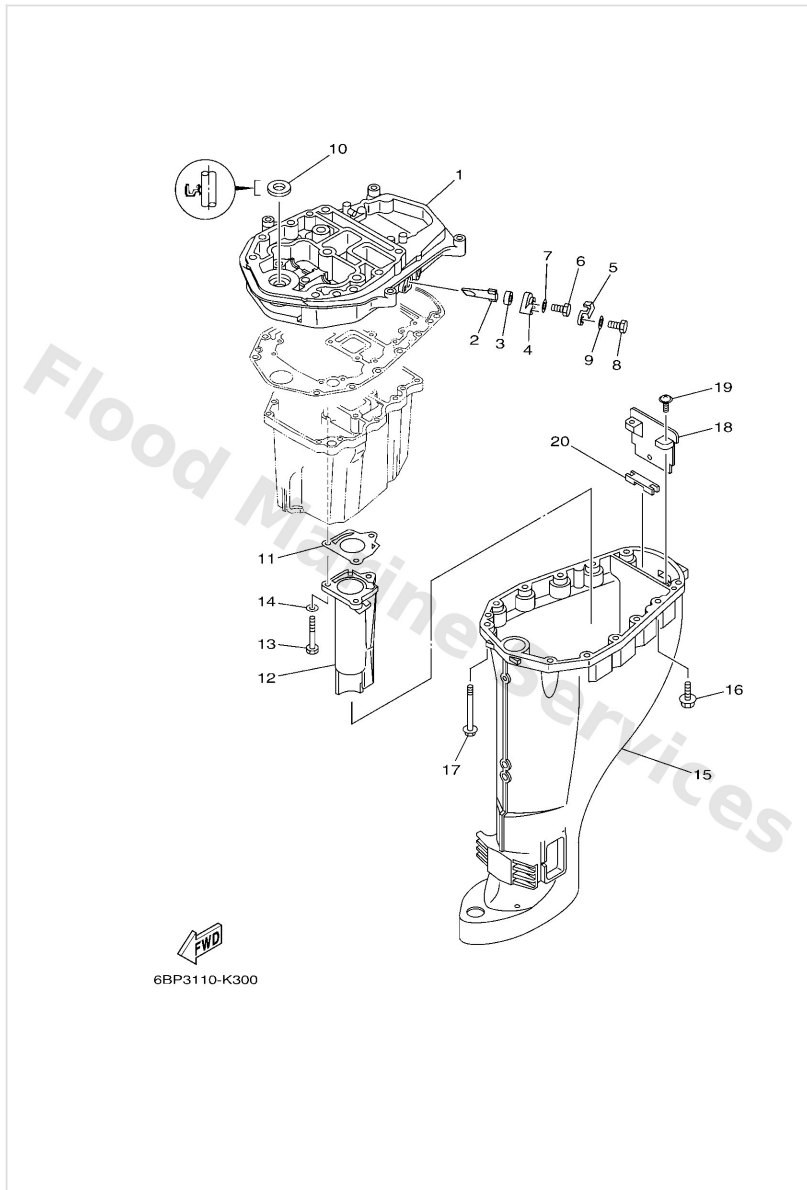
# Top Cowling



Ref	Part	
15	<a href="#">6BP4267610</a> Graphic, side 2	<a href="#">Buy now</a>
16	<a href="#">6AH4269710</a> Tuning fork mark	<a href="#">Buy now</a>
17	<a href="#">6BG4266200</a> Damper	<a href="#">Buy now</a>
18	<a href="#">67F1343420</a> Label, Caution	<a href="#">Buy now</a>

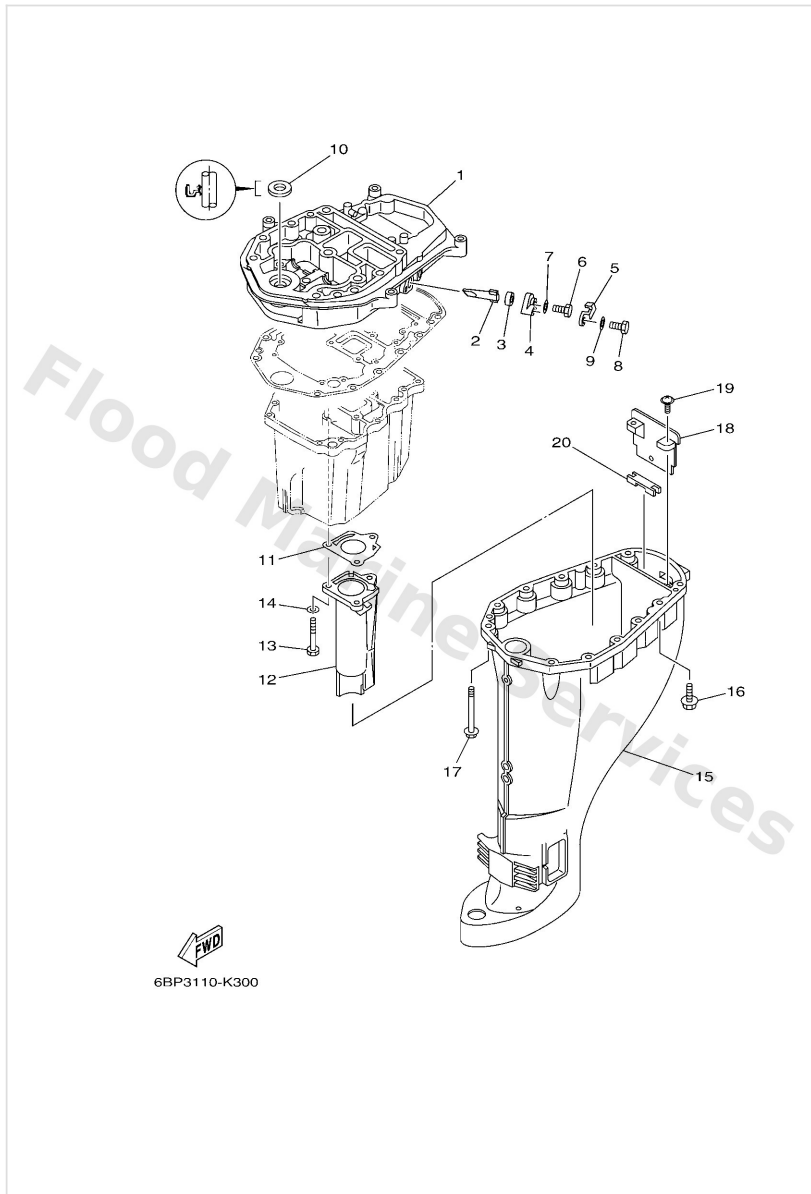


# Upper Casing



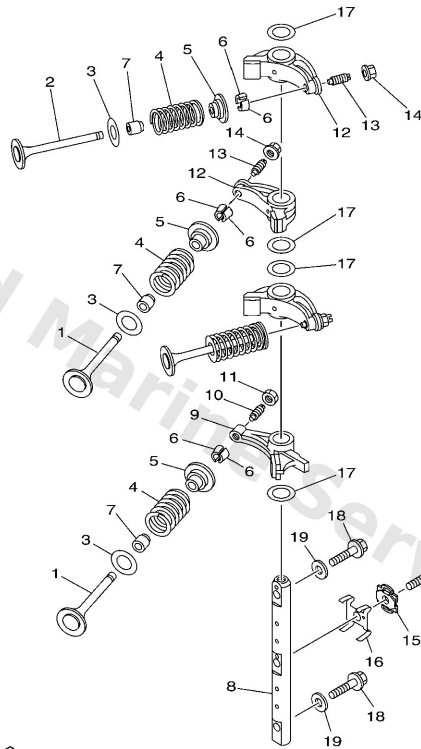
Ref	Part	
1	<a href="#">67C4113713CA</a> Guide, exhaust (67c-13)	<a href="#">Buy now</a>
2	<a href="#">62Y1132500</a> Anode	<a href="#">Buy now</a>
3	<a href="#">66M1132800</a> Grommet, anode	<a href="#">Buy now</a>
4	<a href="#">66M113270094</a> Cover, anode	<a href="#">Buy now</a>
5	<a href="#">66M1253500</a> Plate	<a href="#">Buy now</a>
6	<a href="#">9709505012</a> Bolt, hexagon	<a href="#">Buy now</a>
7	<a href="#">9299505600</a> Washer, plain (646)	<a href="#">Buy now</a>
8	<a href="#">9701306020</a> Bolt(62y)	<a href="#">Buy now</a>
9	<a href="#">9290306600</a> Washer, plain (646)	<a href="#">Buy now</a>
10	<a href="#">9311016004</a> Oil seal	<a href="#">Buy now</a>
11	<a href="#">67C4113300</a> Gasket, exhaust manifold 1	<a href="#">Buy now</a>
12	<a href="#">68U4113100CA</a> Manifold, ext. 1	<a href="#">Buy now</a>
13	<a href="#">9707506050</a> Bolt(jf7)	<a href="#">Buy now</a>
14	<a href="#">9299506600</a> Washer, plain (646)	<a href="#">Buy now</a>
15	<a href="#">6BP45111004D</a> Casing, upper S(16.6")	<a href="#">Buy now</a>

# Upper Casing



Ref	Part	
15	<a href="#">6D545111104D</a> Casing, upper L(21.6")	<a href="#">Buy now</a>
16	<a href="#">9757508530</a> Bolt, hexagon w/w deep recess	<a href="#">Buy now</a>
17	<a href="#">9011908132</a> Bolt, with washer	<a href="#">Buy now</a>
18	<a href="#">65W4515100</a> Cover, upper casing	<a href="#">Buy now</a>
19	<a href="#">9798005216</a> Screw, pan w/ plain	<a href="#">Buy now</a>
20	<a href="#">65W4512800</a> Seal 2	<a href="#">Buy now</a>

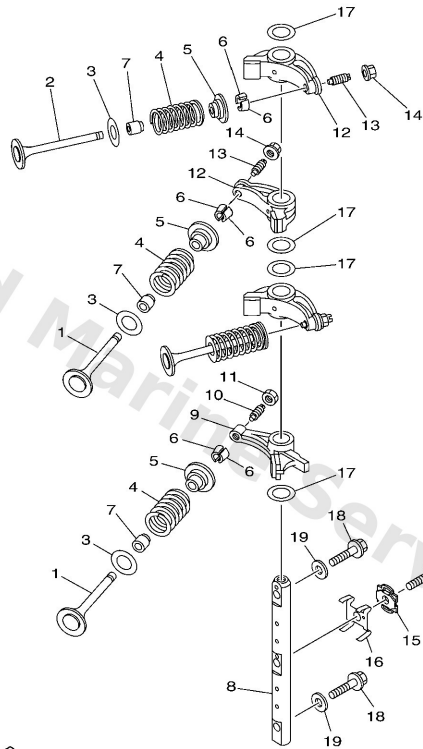
# Valve



  
6BP1100-H050

Ref	Part	
1	<a href="#">69W1211100</a> Valve, intake	<a href="#">Buy now</a>
2	<a href="#">69W1212110</a> Valve, exhaust	<a href="#">Buy now</a>
3	<a href="#">62Y1211600</a> Seat, valve spring	<a href="#">Buy now</a>
4	<a href="#">51Y1211400</a> Spring, valve outer	<a href="#">Buy now</a>
5	<a href="#">30X1211700</a> Retainer, valve spring	<a href="#">Buy now</a>
6	<a href="#">30X1211800</a> Cotter, valve	<a href="#">Buy now</a>
7	<a href="#">51Y1211900</a> Seal, valve stem	<a href="#">Buy now</a>
8	<a href="#">6BL1214600</a> Shaft, rocker	<a href="#">Buy now</a>
9	<a href="#">62Y1215100</a> Arm, valve rocker	<a href="#">Buy now</a>
10	<a href="#">64J1215900</a> Screw, valve adjusting	<a href="#">Buy now</a>
11	<a href="#">62Y1215800</a> Nut, lock	<a href="#">Buy now</a>
12	<a href="#">6C51215100</a> Arm, valve rocker	<a href="#">Buy now</a>
13	<a href="#">6C51215900</a> Screw, valve adjusting	<a href="#">Buy now</a>
14	<a href="#">6C51215800</a> Nut, lock	<a href="#">Buy now</a>
15	<a href="#">6BL1223100</a> Guide, stopper 1	<a href="#">Buy now</a>

# Valve



  
6BP1100-H050

Ref	Part	
16	<a href="#">6BL1223300</a> Plate, guide stopper 1	<a href="#">Buy now</a>
17	<a href="#">9020116014</a> Washer, plate	<a href="#">Buy now</a>
18	<a href="#">9010508060</a> Bolt, flange	<a href="#">Buy now</a>
19	<a href="#">9299008200</a> Ybs66-8 washer, plain	<a href="#">Buy now</a>

# Disclaimer

This document is provided for convenience only. It is **not** an official Yamaha publication and is **not supplied, endorsed, or approved** by Yamaha Motor Co., Ltd.

Reasonable efforts are made to keep information accurate; however diagrams, part references, supersessions, descriptions, and applicability may contain errors or omissions. Specifications and part availability may change without notice.

You are responsible for confirming the correct parts for your engine (including model code, year, serial range, and any superseded part numbers) before ordering or fitting.