



# Yamaha F50TRA 2002

## Parts Manual

[www.floodmarine.co.uk](http://www.floodmarine.co.uk)

+44 2882 246 539

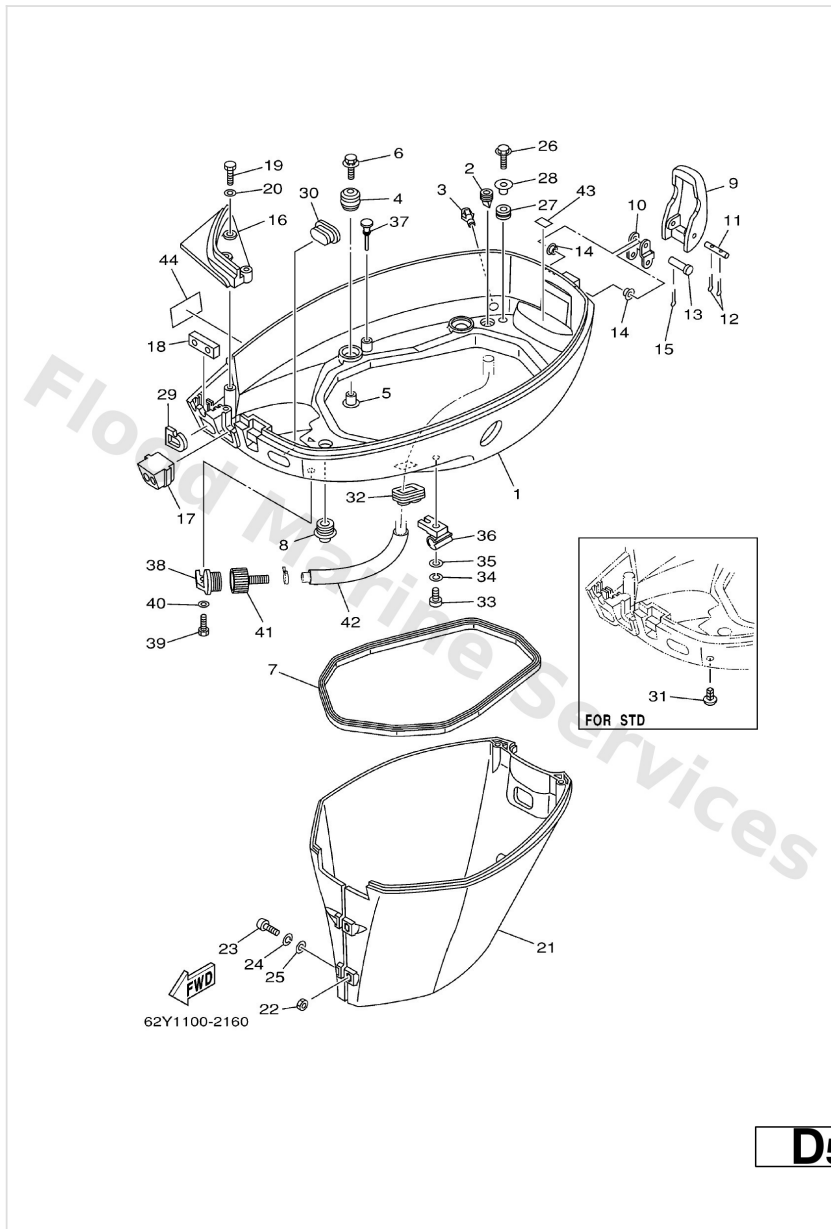
Authorised Yamaha Dealers



# Contents

<b>BOTTOM COWLING</b>	3
<b>BRACKET 1</b>	6
<b>BRACKET 2</b>	9
<b>CARBURETOR</b>	12
<b>CONTROL</b>	15
<b>CRANKSHAFT. PISTON</b>	18
<b>CYLINDER. CRANKCASE 1</b>	20
<b>CYLINDER. CRANKCASE 2</b>	23
<b>ELECTRICAL 1</b>	26
<b>ELECTRICAL 2</b>	28
<b>ELECTRICAL 3</b>	31
<b>FUEL 1</b>	33
<b>FUEL 2</b>	36
<b>FUEL TANK</b>	37
<b>GENERATOR</b>	38
<b>INTAKE</b>	40
<b>LOWER CASING. DRIVE 1</b>	43
<b>LOWER CASING. DRIVE 2</b>	49
<b>LOWER CASING. DRIVE 3</b>	52
<b>LOWER CASING. DRIVE 4</b>	58
<b>METER</b>	61
<b>OIL PAN</b>	63
<b>OIL PUMP</b>	65
<b>OPTIONAL PARTS</b>	67
<b>POWER TRIM &amp; TILT ASSY 1</b>	68
<b>POWER TRIM &amp; TILT ASSY 2</b>	72
<b>POWER TRIM &amp; TILT ASSY 3</b>	77
<b>REMOTE CONTROL ASSY 1</b>	79
<b>REMOTE CONTROL ASSY 2</b>	84
<b>REMOTE CONTROL BOX</b>	89
<b>REPAIR KIT 1</b>	90
<b>REPAIR KIT 2</b>	92
<b>REPAIR KIT 3</b>	93
<b>REPAIR KIT 4</b>	96
<b>STARTING MOTOR</b>	99
<b>STEERING</b>	101
<b>STEERING FRICTION</b>	105
<b>STEERING GUIDE</b>	107
<b>SWITCH. PANEL</b>	108
<b>TOP COWLING</b>	110
<b>UPPER CASING</b>	112
<b>VALVE</b>	115

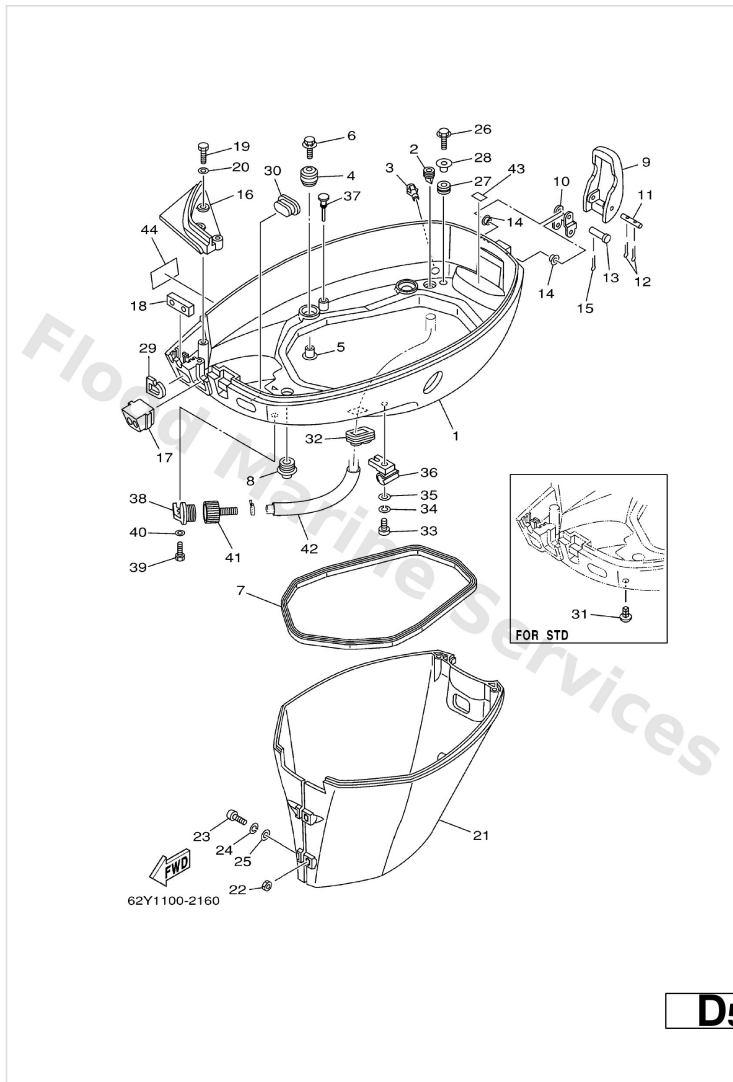
# Bottom Cowling



**D5**

Ref	Part	
1	<a href="#">62Y42711144D</a> Cowling, bottom 1	<a href="#">Buy now</a>
2	<a href="#">65W4271700</a> Rubber, seal 2	<a href="#">Buy now</a>
3	<a href="#">6H34439101</a> Nipple, hose	<a href="#">Buy now</a>
4	<a href="#">9048009M12</a> Grommet (6a0)	<a href="#">Buy now</a>
5	<a href="#">9038706M69</a> Collar (688)	<a href="#">Buy now</a>
6	<a href="#">9011906M08</a> Bolt, with washer	<a href="#">Buy now</a>
7	<a href="#">62Y4271600</a> Rubber seal 1	<a href="#">Buy now</a>
8	<a href="#">6E54272400</a> Grommet	<a href="#">Buy now</a>
10	<a href="#">62Y4281500</a> Lever, clamp	<a href="#">Buy now</a>
11	<a href="#">9024905M30</a> Pin(62y)	<a href="#">Buy now</a>
12	<a href="#">9149016010</a> Pin, cotter	<a href="#">Buy now</a>
13	<a href="#">9024005M19</a> Pin, clevis(62y)	<a href="#">Buy now</a>
14	<a href="#">9038605002</a> Bush 626412910000	<a href="#">Buy now</a>
17	<a href="#">62Y4272500</a> Grommet <b>FOR OCEANIA</b>	<a href="#">Buy now</a>
17	<a href="#">62Y4272520</a> Grommet <b>FOR OCEANIA</b>	<a href="#">Buy now</a>

# Bottom Cowling

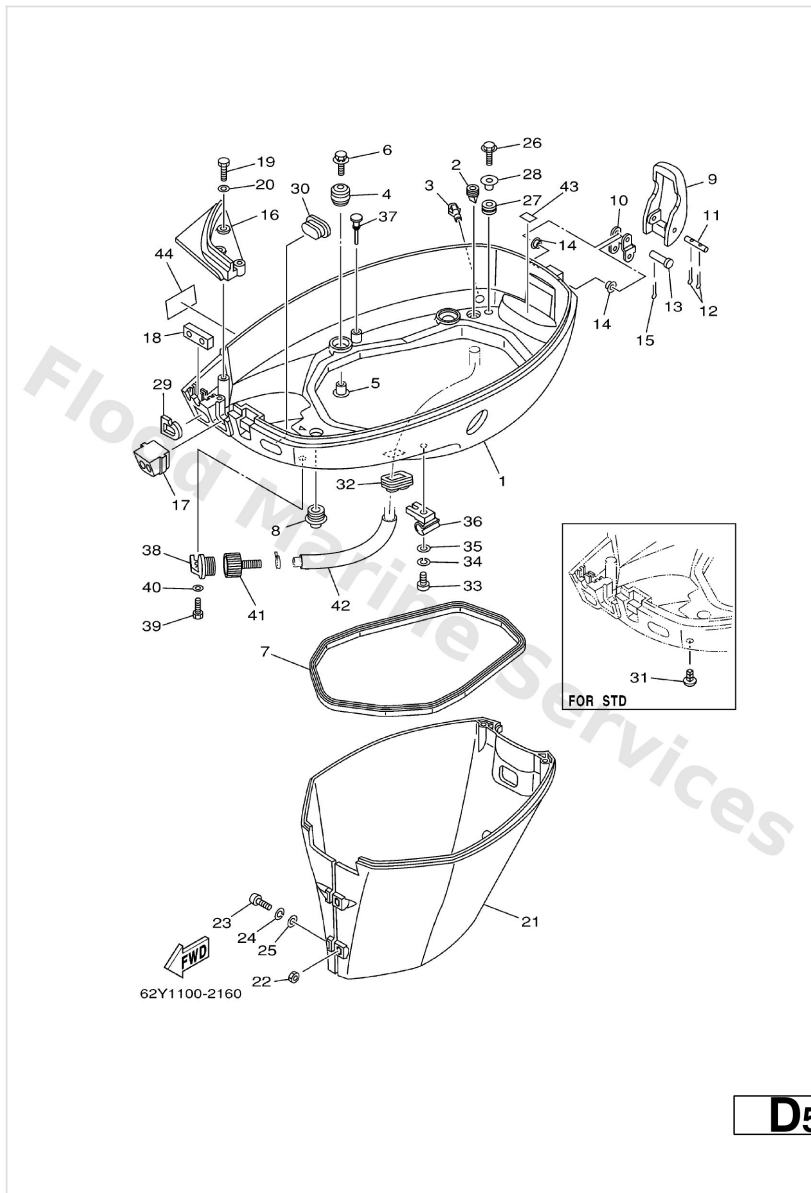


**D5**

Ref	Part	
17	<a href="#">62Y4272530</a> Grommet "CET"-FOR OCEANIA	<a href="#">Buy now</a>
17	<a href="#">62Y4272540</a> Grommet FOR CANADA	<a href="#">Buy now</a>
18	<a href="#">62Y4272700</a> Grommet	<a href="#">Buy now</a>
39	<a href="#">9709506020</a> Bolt(7u8) FLUSHING KIT	<a href="#">Buy now</a>
40	<a href="#">9299506600</a> Washer, plain (646) FLUSHING KIT	<a href="#">Buy now</a>
22	<a href="#">9538006600</a> Nut(661)	<a href="#">Buy now</a>
23	<a href="#">9788006025</a> Screw, pan head(6b0)	<a href="#">Buy now</a>
24	<a href="#">9299006100</a> Washer(6a1)	<a href="#">Buy now</a>
25	<a href="#">9299006600</a> Washer, plain (646)	<a href="#">Buy now</a>
26	<a href="#">9589506016</a> Bolt, flange deep recess	<a href="#">Buy now</a>
27	<a href="#">9048013M24</a> Grommet (6e9)	<a href="#">Buy now</a>
28	<a href="#">9038706M40</a> Collar	<a href="#">Buy now</a>
29	<a href="#">61N2432900</a> Seal	<a href="#">Buy now</a>
30	<a href="#">6H34272700</a> Grommet "EHT"-FOR CANADA	<a href="#">Buy now</a>
31	<a href="#">9033805M03</a> Plug (6h1) FOR STD	<a href="#">Buy now</a>



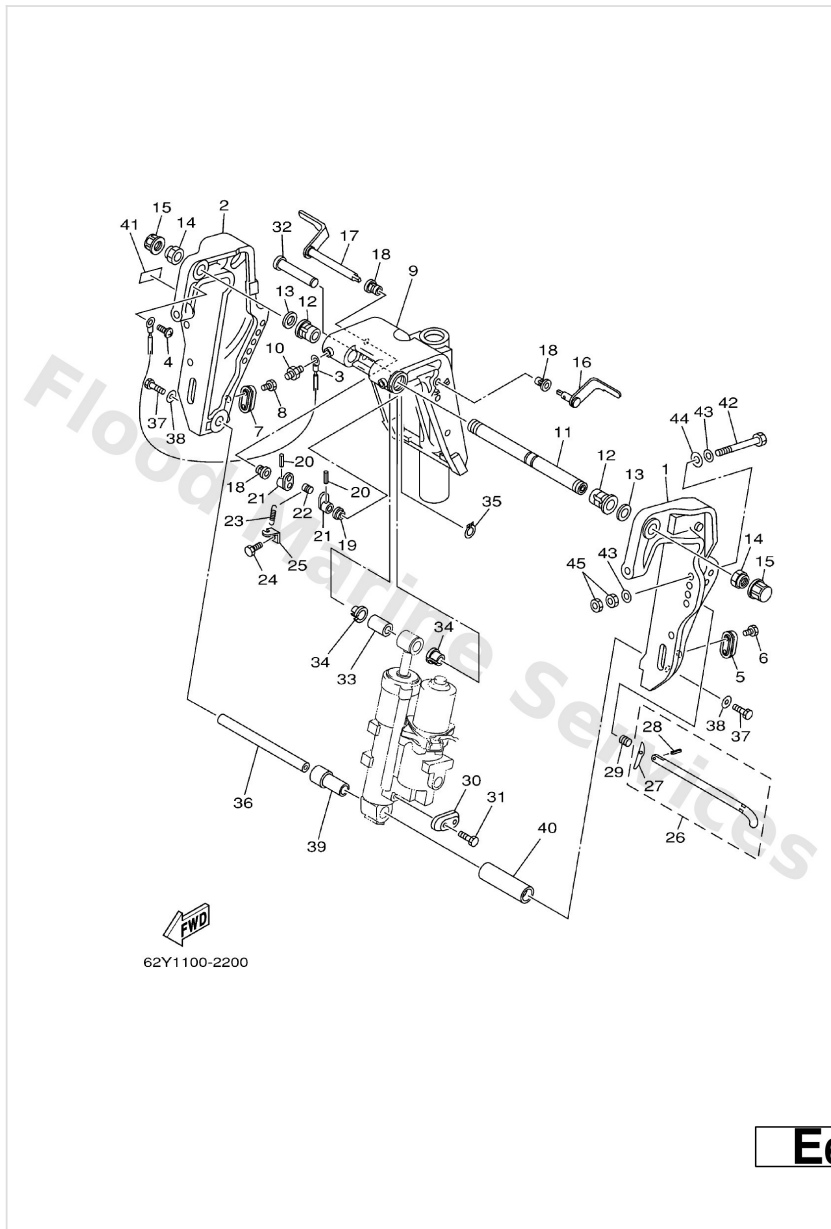
# Bottom Cowling



Ref	Part	
32	<a href="#">6884272610</a> Grommet FOR STD	<a href="#">Buy now</a>
32	<a href="#">6H14272620</a> Grommet FOR FLUSHING KIT	<a href="#">Buy now</a>
36	<a href="#">9046409M43</a> Clamp(62y)	<a href="#">Buy now</a>
37	<a href="#">62Y4274800</a> Grommet	<a href="#">Buy now</a>
38	<a href="#">6H11257200</a> Adapter FLUSHING KIT	<a href="#">Buy now</a>
41	<a href="#">6R31258000</a> Joint assembly FLUSHING KIT	<a href="#">Buy now</a>
42	<a href="#">9044514M41</a> Hose (L150) FLUSHING KIT	<a href="#">Buy now</a>
43	<a href="#">62Y8237700</a> Label	<a href="#">Buy now</a>
44	<a href="#">62Y1344440</a> Mark FOR USA,OCEANIA	<a href="#">Buy now</a>
44	<a href="#">62Y1344450</a> Mark FOR CANADA	<a href="#">Buy now</a>

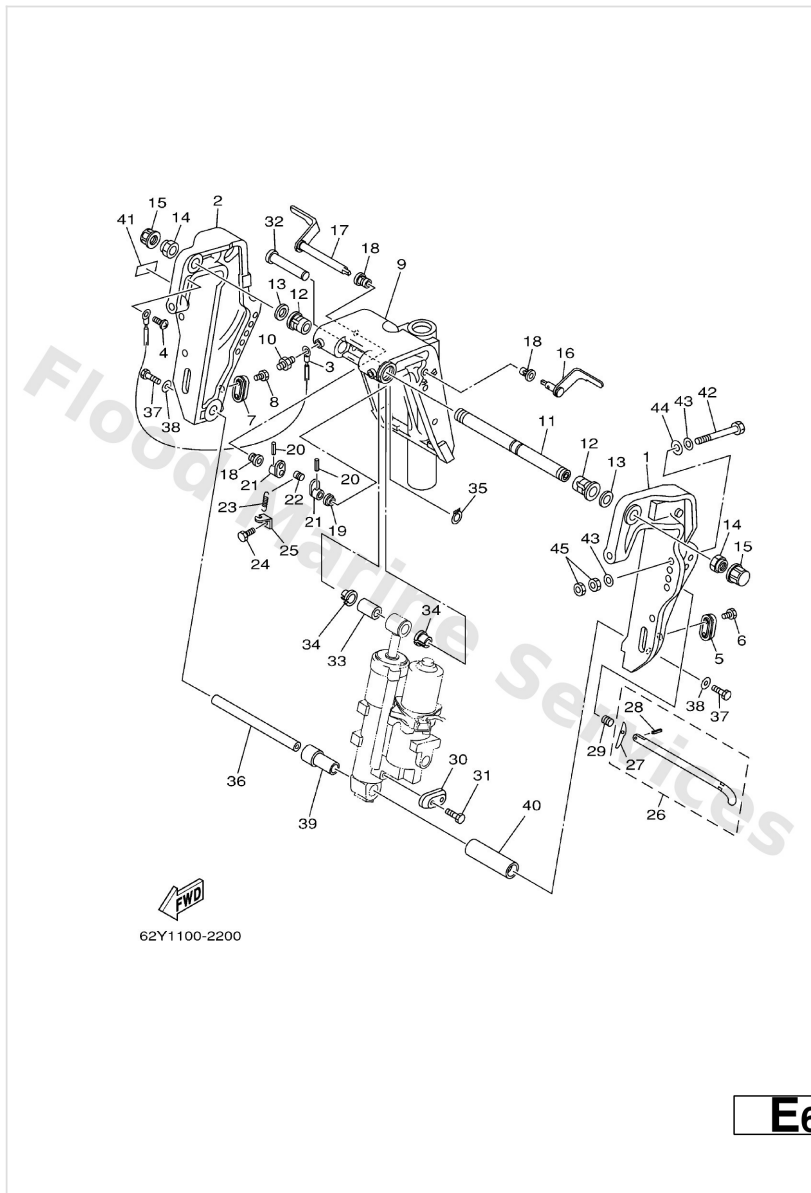
D5

# Bracket 1



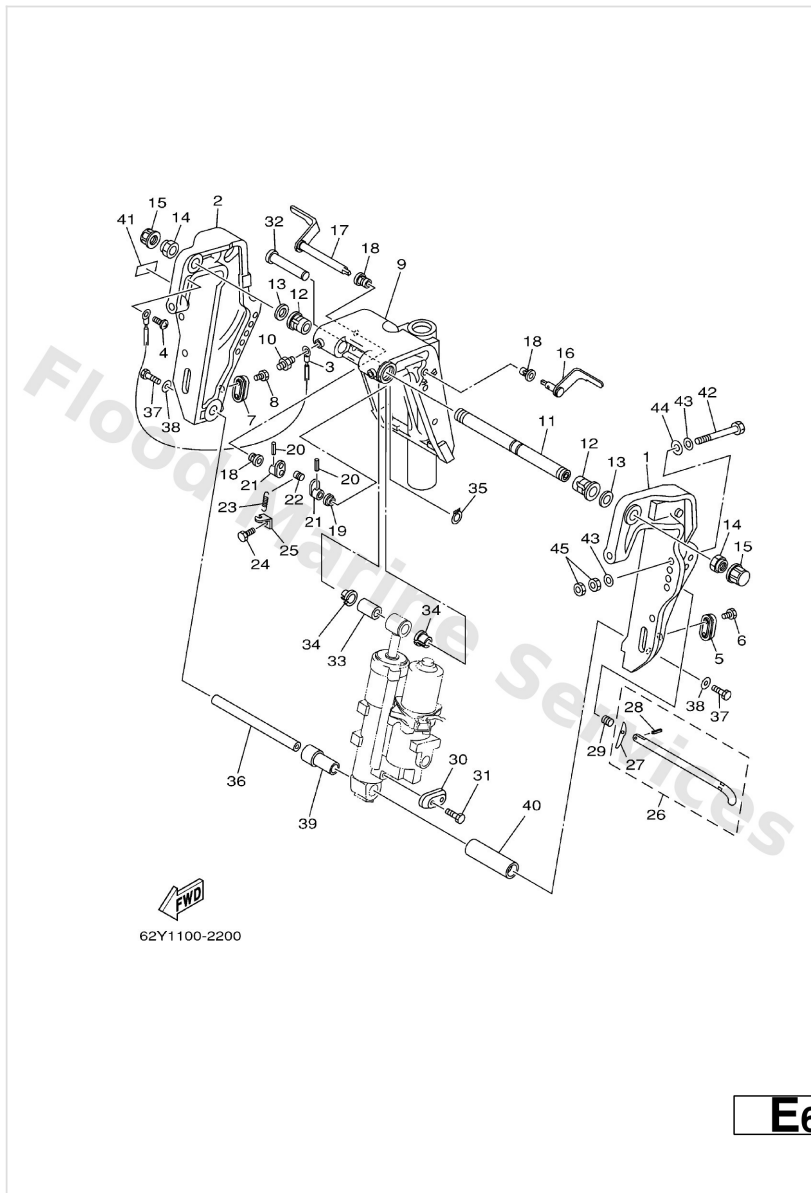
Ref	Part	
1	<a href="#">62Y43111004D</a> Bracket, clamp L	<a href="#">Buy now</a>
2	<a href="#">62Y43112004D</a> Bracket, clamp L	<a href="#">Buy now</a>
3	<a href="#">63D8214800</a> Wire, lead 5	<a href="#">Buy now</a>
4	<a href="#">9788506008</a> Screw, pan head(6a3)	<a href="#">Buy now</a>
5	<a href="#">65W4525100</a> Anode	<a href="#">Buy now</a>
6	<a href="#">9010106020</a> Bolt	<a href="#">Buy now</a>
10	<a href="#">9370006M03</a> Nipple, grease(6a1)	<a href="#">Buy now</a>
11	<a href="#">63D4313101</a> Bolt, clamp bracket	<a href="#">Buy now</a>
12	<a href="#">9038622M15</a> Bushing (688)	<a href="#">Buy now</a>
13	<a href="#">9020122M03</a> Washer, plate(64j)	<a href="#">Buy now</a>
14	<a href="#">9018522M11</a> Nut, self-locking	<a href="#">Buy now</a>
15	<a href="#">6G54314501</a> Cap, clamp bracket	<a href="#">Buy now</a>
16	<a href="#">6H54318103</a> Lever, tilt stop 1	<a href="#">Buy now</a>
17	<a href="#">6H54318503</a> Lever, tilt stop 2	<a href="#">Buy now</a>
18	<a href="#">9038610M16</a> Bushing (688)	<a href="#">Buy now</a>

# Bracket 1



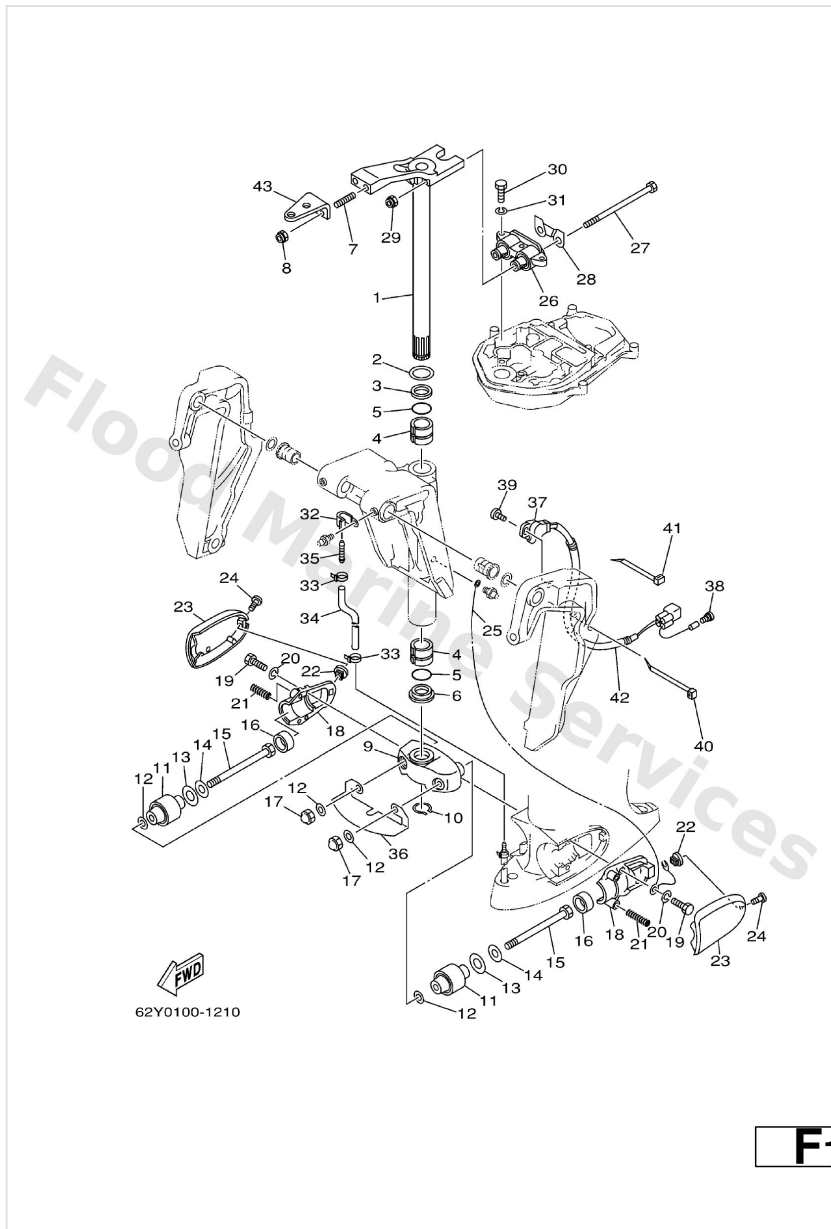
Ref	Part	
19	<a href="#">9038610025</a> Bushing (658)	<a href="#">Buy now</a>
20	<a href="#">9169030020</a> Pin, spring (6h4)	<a href="#">Buy now</a>
21	<a href="#">6G54314800</a> Collar, distance	<a href="#">Buy now</a>
22	<a href="#">9024906M19</a> Pin(6e5)	<a href="#">Buy now</a>
23	<a href="#">9050614M24</a> Spring, tension(6e5)	<a href="#">Buy now</a>
24	<a href="#">9709506010</a> Bolt	<a href="#">Buy now</a>
25	<a href="#">6G54314400</a> Hook, spring	<a href="#">Buy now</a>
26	<a href="#">6884316001</a> Tilt rod ass'y	<a href="#">Buy now</a>
27	<a href="#">6884316500</a> Stopper, tilt rod	<a href="#">Buy now</a>
28	<a href="#">9169030012</a> Pin, spring	<a href="#">Buy now</a>
29	<a href="#">9050216M02</a> Spring, conical (688)	<a href="#">Buy now</a>
32	<a href="#">6E54312602</a> Pin, upper shock mount	<a href="#">Buy now</a>
33	<a href="#">9038618M92</a> Bush(62x)	<a href="#">Buy now</a>
34	<a href="#">9038618M35</a> Bush (688)	<a href="#">Buy now</a>
35	<a href="#">9341018M02</a> Circlip (6f2)	<a href="#">Buy now</a>

# Bracket 1



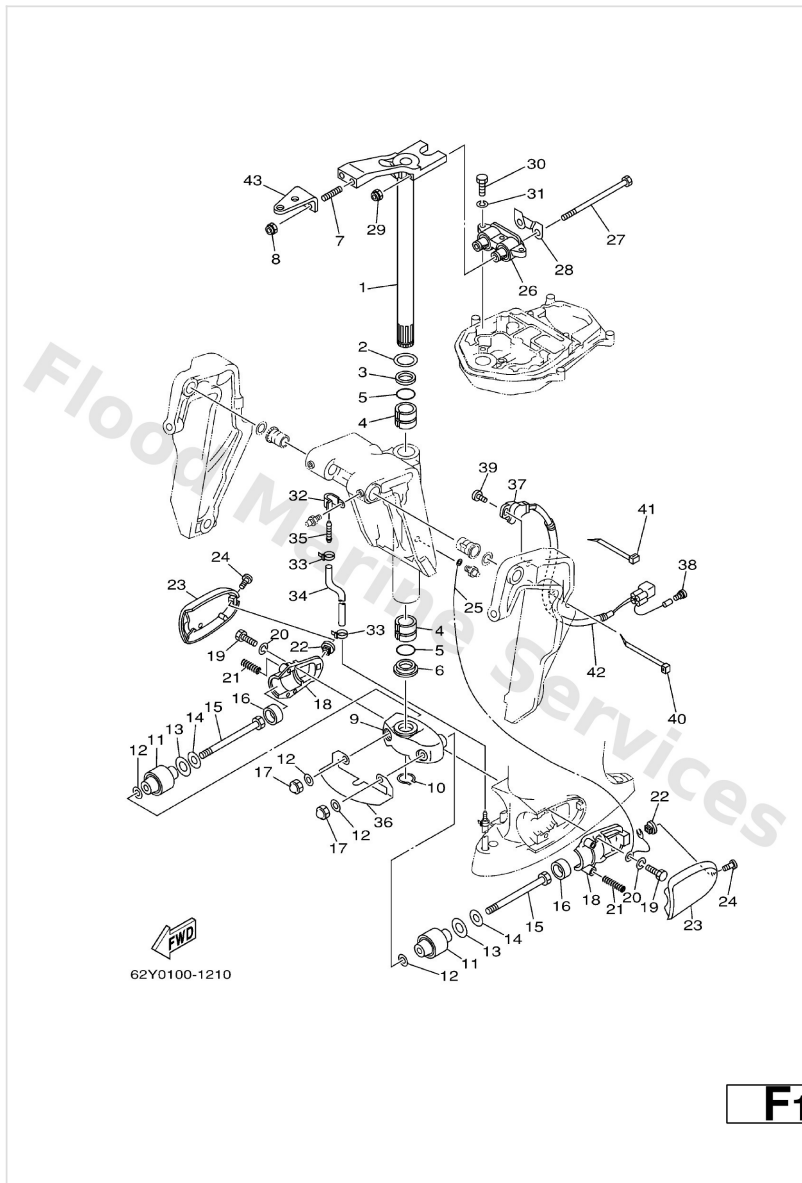
Ref	Part	
36	<a href="#">62Y4381800</a> Pin, lower shock mount	<a href="#">Buy now</a>
37	<a href="#">9708008016</a> Bolt	<a href="#">Buy now</a>
38	<a href="#">9020108M04</a> Washer, plate(6r8)	<a href="#">Buy now</a>
39	<a href="#">9038718002</a> Collar	<a href="#">Buy now</a>
40	<a href="#">9038718003</a> Collar	<a href="#">Buy now</a>
41	<a href="#">63V8237750</a> Label (Spark, Ignition) FOR CANADA	<a href="#">Buy now</a>
42	<a href="#">9010112M65</a> Bolt	<a href="#">Buy now</a>
43	<a href="#">9299512200</a> Ybs66-12 washer,plain	<a href="#">Buy now</a>
44	<a href="#">9020112426</a> Washer, plate(663)	<a href="#">Buy now</a>
45	<a href="#">9538012600</a> Nut (707)	<a href="#">Buy now</a>

## Bracket 2



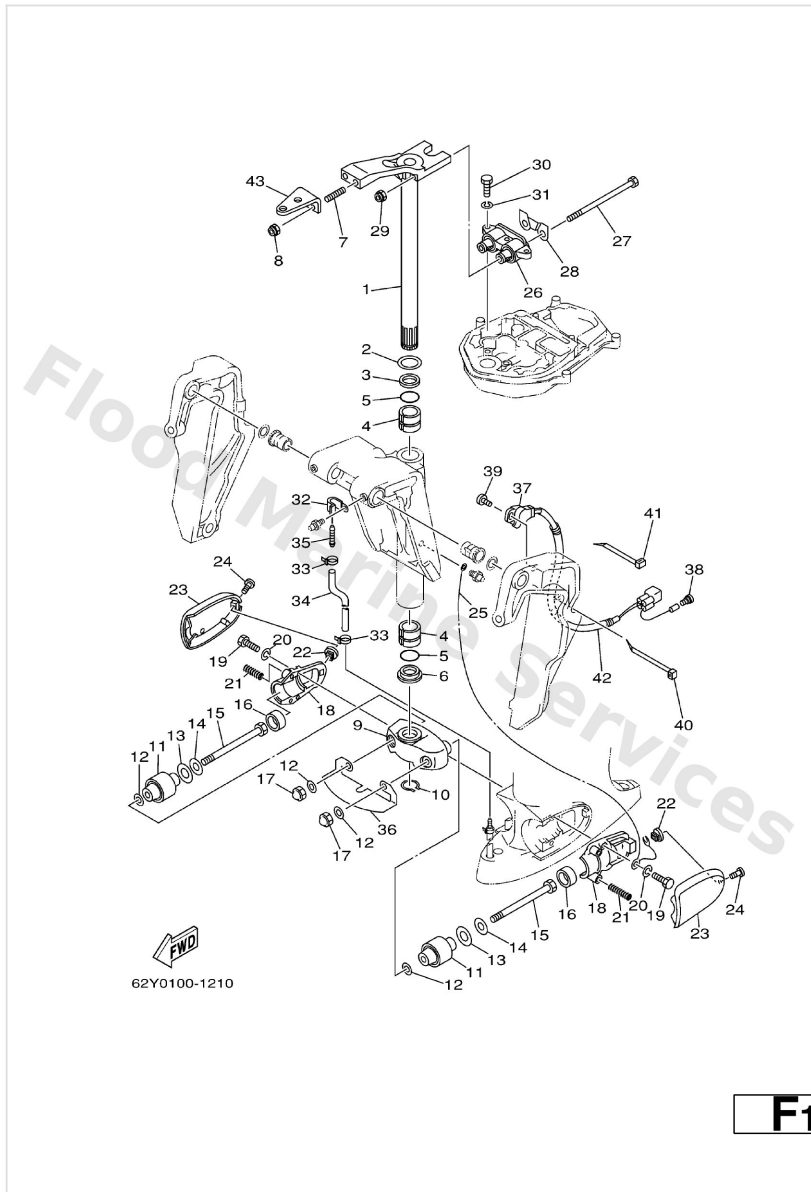
Ref	Part	
2	<a href="#">9020130M00</a> Washer, plate(6h1)	<a href="#">Buy now</a>
3	<a href="#">9038630M78</a> Bush(6h0)	<a href="#">Buy now</a>
4	<a href="#">9038630M77</a> Bush(6h0)	<a href="#">Buy now</a>
5	<a href="#">9321029M94</a> O-ring(6h1)	<a href="#">Buy now</a>
6	<a href="#">9038630M60</a> Bush(6j8)	<a href="#">Buy now</a>
7	<a href="#">9011610175</a> Bolt, stud	<a href="#">Buy now</a>
8	<a href="#">9018510051</a> Nut, self-locking	<a href="#">Buy now</a>
9	<a href="#">66344551024D</a> Housing, lower mount rubber	<a href="#">Buy now</a>
10	<a href="#">9341028M06</a> Circlip (688)	<a href="#">Buy now</a>
11	<a href="#">62Y445550094</a> Mount damper, lower side	<a href="#">Buy now</a>
12	<a href="#">9020112M16</a> Washer, plate (679) <b>FOR PLATE SPLASH</b>	<a href="#">Buy now</a>
13	<a href="#">9020221100</a> Washer plate (663)	<a href="#">Buy now</a>
14	<a href="#">9020113M19</a> Washer, plate (663)	<a href="#">Buy now</a>
15	<a href="#">9010912261</a> Bolt(663)	<a href="#">Buy now</a>
16	<a href="#">6634457500</a> Damper, lower mount rubber <b>L</b>	<a href="#">Buy now</a>

# Bracket 2



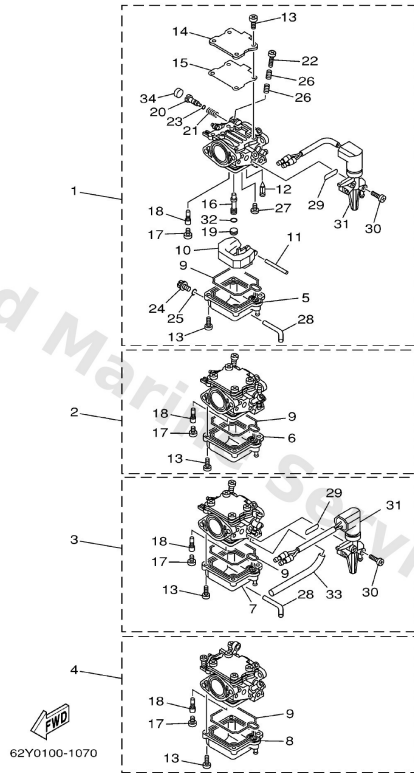
Ref	Part	
16	<a href="#">69W4457500</a> Damper, lower mount rubber X	<a href="#">Buy now</a>
17	<a href="#">9538012800</a> Nut crown(663)	<a href="#">Buy now</a>
18	<a href="#">663445520194</a> Housing, lower mount rubber	<a href="#">Buy now</a>
19	<a href="#">9707508025</a> Bolt, hexagon deep recess	<a href="#">Buy now</a>
20	<a href="#">9299508100</a> Ybs67-8 washer, spring	<a href="#">Buy now</a>
21	<a href="#">9050114M08</a> Spring, compression(64j)	<a href="#">Buy now</a>
22	<a href="#">9017906066</a> Nut(663)	<a href="#">Buy now</a>
24	<a href="#">9788506016</a> Screw, pan head(6b0)	<a href="#">Buy now</a>
25	<a href="#">6978212701</a> Wire, lead 2	<a href="#">Buy now</a>
?	<a href="#">64J44514004D</a> Mount damper, upper side FT50C-X	<a href="#">Buy now</a>
27	<a href="#">9010108M15</a> Bolt	<a href="#">Buy now</a>
28	<a href="#">66T4452630</a> Plate L	<a href="#">Buy now</a>
28	<a href="#">69W4452600</a> Plate X	<a href="#">Buy now</a>
29	<a href="#">9018508045</a> Nut, self-locking	<a href="#">Buy now</a>
30	<a href="#">9707508030</a> Bolt, hexagon (fj1)	<a href="#">Buy now</a>

# Bracket 2



Ref	Part	
32	<a href="#">9046506M86</a> Clamp	<a href="#">Buy now</a>
33	<a href="#">9046511M10</a> Clamp	<a href="#">Buy now</a>
34	<a href="#">9044507MF1</a> Hose (I570)	<a href="#">Buy now</a>
35	<a href="#">6E58355800</a> End, nipple	<a href="#">Buy now</a>
36	<a href="#">64J45158004D</a> Plate, splash FOR USA,CANADA	<a href="#">Buy now</a>
37	<a href="#">63D8367201</a> Trim sender	<a href="#">Buy now</a>
38	<a href="#">7038211900</a> Cover, lead wire	<a href="#">Buy now</a>
40	<a href="#">9046513M18</a> Clamp	<a href="#">Buy now</a>
42	<a href="#">9044617M91</a> Hose	<a href="#">Buy now</a>

# Carburetor

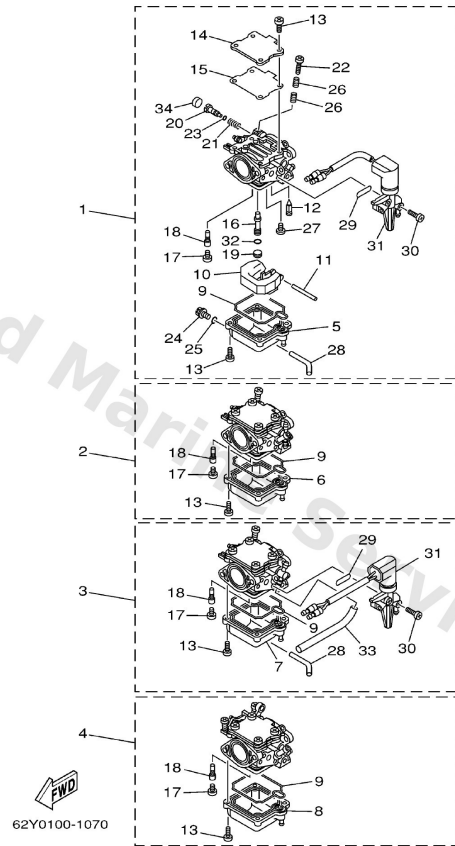


Be

Ref	Part	
1	<a href="#">62Y1490130</a> Carburetor assembly 1 FOR OCEANIA	<a href="#">Buy now</a>
1	<a href="#">62Y1490140</a> Carburetor assembly 1 FOR USA,CANADA	<a href="#">Buy now</a>
2	<a href="#">62Y1490230</a> Carburetor assembly 2 FOR OCEANIA	<a href="#">Buy now</a>
2	<a href="#">62Y1490240</a> Carburetor assembly 2 FOR USA,CANADA	<a href="#">Buy now</a>
3	<a href="#">62Y1490330</a> Carburetor assembly 3 FOR OCEANIA	<a href="#">Buy now</a>
3	<a href="#">62Y1490340</a> Carburetor assembly 3 FOR USA,CANADA	<a href="#">Buy now</a>
4	<a href="#">62Y1490431</a> Carburetor assembly 4 FOR OCEANIA	<a href="#">Buy now</a>
4	<a href="#">62Y1490441</a> Carburetor assembly 4 FOR USA,CANADA	<a href="#">Buy now</a>
5	<a href="#">62Y1438130</a> Body, float chamber #1	<a href="#">Buy now</a>
6	<a href="#">62Y1438140</a> Body, float chamber #2	<a href="#">Buy now</a>
7	<a href="#">62Y1438150</a> Body, float chamber #3	<a href="#">Buy now</a>
8	<a href="#">62Y1438161</a> Body, float chamber #4	<a href="#">Buy now</a>
9	<a href="#">62Y1438430</a> Gasket, float chamber	<a href="#">Buy now</a>
10	<a href="#">6L21438500</a> Float	<a href="#">Buy now</a>
11	<a href="#">6E51438601</a> Pin, float	<a href="#">Buy now</a>



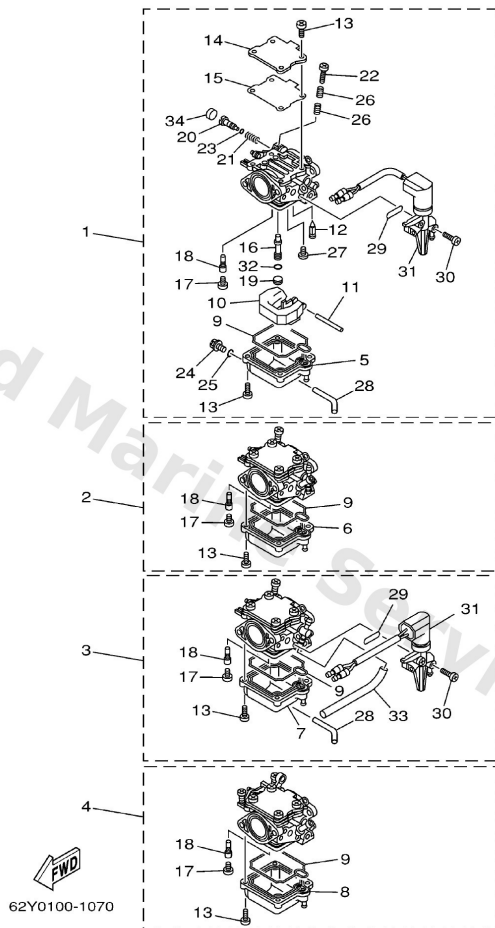
# Carburetor



Be

Ref	Part	
12	<a href="#">62Y1439200</a> Valve, needle	<a href="#">Buy now</a>
13	<a href="#">62Y1432100</a> Screw, throttle	<a href="#">Buy now</a>
14	<a href="#">62Y1415730</a> Cover, mixing	<a href="#">Buy now</a>
15	<a href="#">62Y1439930</a> Valve, bimetal	<a href="#">Buy now</a>
16	<a href="#">62Y1434130</a> Nozzle, main	<a href="#">Buy now</a>
17	<a href="#">62Y1434357</a> Jet, main (#114) #4	<a href="#">Buy now</a>
17	<a href="#">62Y1434358</a> Jet, main (#116) #3	<a href="#">Buy now</a>
17	<a href="#">62Y1434362</a> Jet, main (#124) #1	<a href="#">Buy now</a>
17	<a href="#">62Y1434363</a> Jet, main (#126) #2	<a href="#">Buy now</a>
18	<a href="#">64J1434220</a> Jet, pilot (#39)	<a href="#">Buy now</a>
19	<a href="#">62Y1435530</a> Plug	<a href="#">Buy now</a>
20	<a href="#">62Y1432330</a> Screw, air adjusting	<a href="#">Buy now</a>
21	<a href="#">62Y1433400</a> Spring, air adjusting	<a href="#">Buy now</a>
22	<a href="#">62Y1432110</a> Screw, throttle	<a href="#">Buy now</a>
23	<a href="#">2T41439700</a> O-ring	<a href="#">Buy now</a>

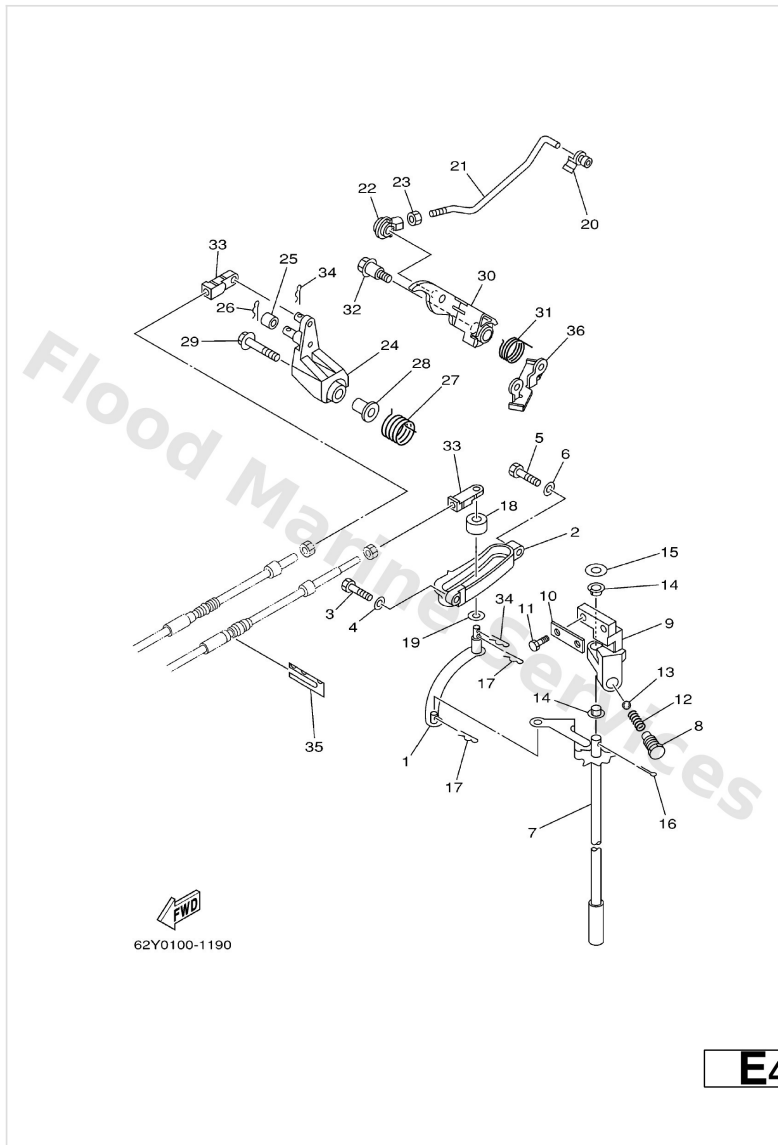
# Carburetor



**B6**

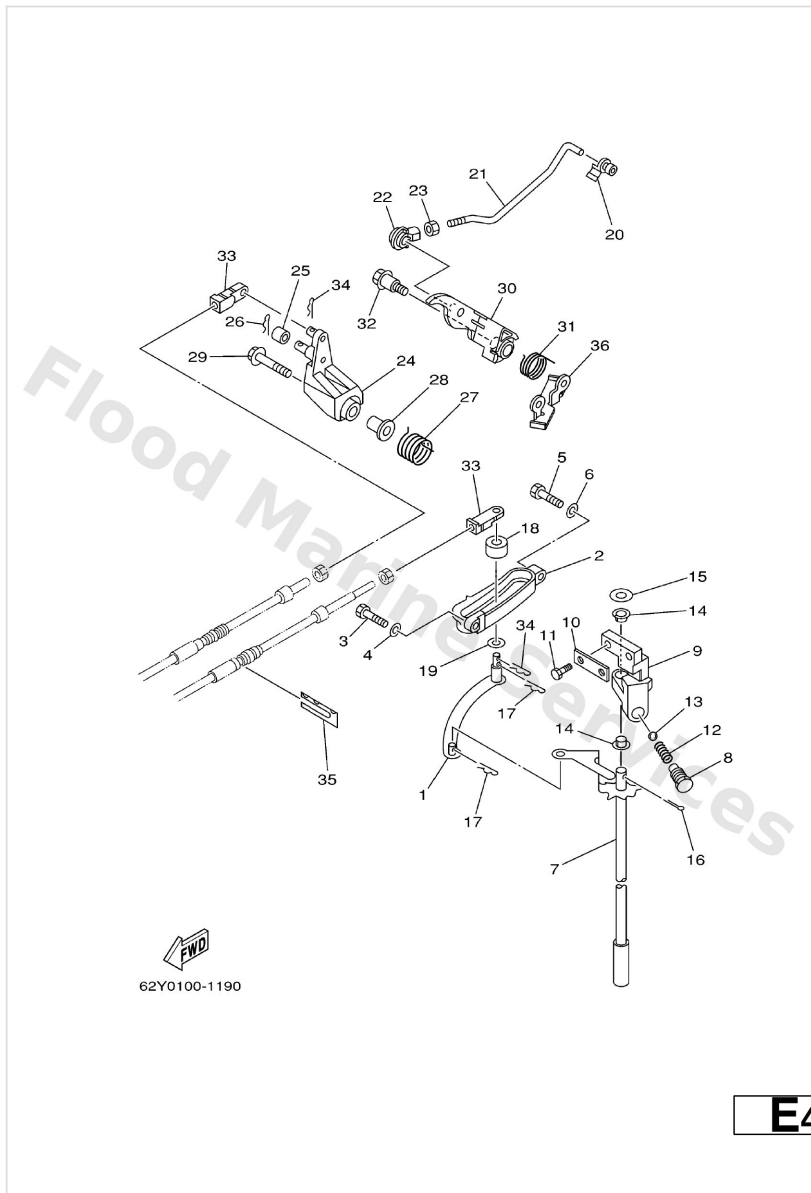
Ref	Part	
24	<a href="#">62Y1438330</a> Screw, drain	<a href="#">Buy now</a>
25	<a href="#">6521439700</a> Ring, o	<a href="#">Buy now</a>
26	<a href="#">62Y1421200</a> Spring, pilot adjusting	<a href="#">Buy now</a>
27	<a href="#">9898004006</a> Screw, bind(6l2)	<a href="#">Buy now</a>
28	<a href="#">62Y2431130</a> Pipe, fuel 1 #1,3	<a href="#">Buy now</a>
29	<a href="#">62Y1439830</a> Gasket #1,3	<a href="#">Buy now</a>
30	<a href="#">62Y1456730</a> Screw #1	<a href="#">Buy now</a>
30	<a href="#">62Y1456740</a> Screw #3	<a href="#">Buy now</a>
31	<a href="#">62Y1438010</a> Prime starter assembly #1	<a href="#">Buy now</a>
31	<a href="#">62Y1438020</a> Prime starter assembly #3	<a href="#">Buy now</a>
32	<a href="#">62Y1422700</a> O-ring	<a href="#">Buy now</a>
33	<a href="#">62Y2431390</a> Pipe 3 #3	<a href="#">Buy now</a>
34	<a href="#">62Y1432A01</a> Plug FOR USA,CANADA	<a href="#">Buy now</a>

# Control



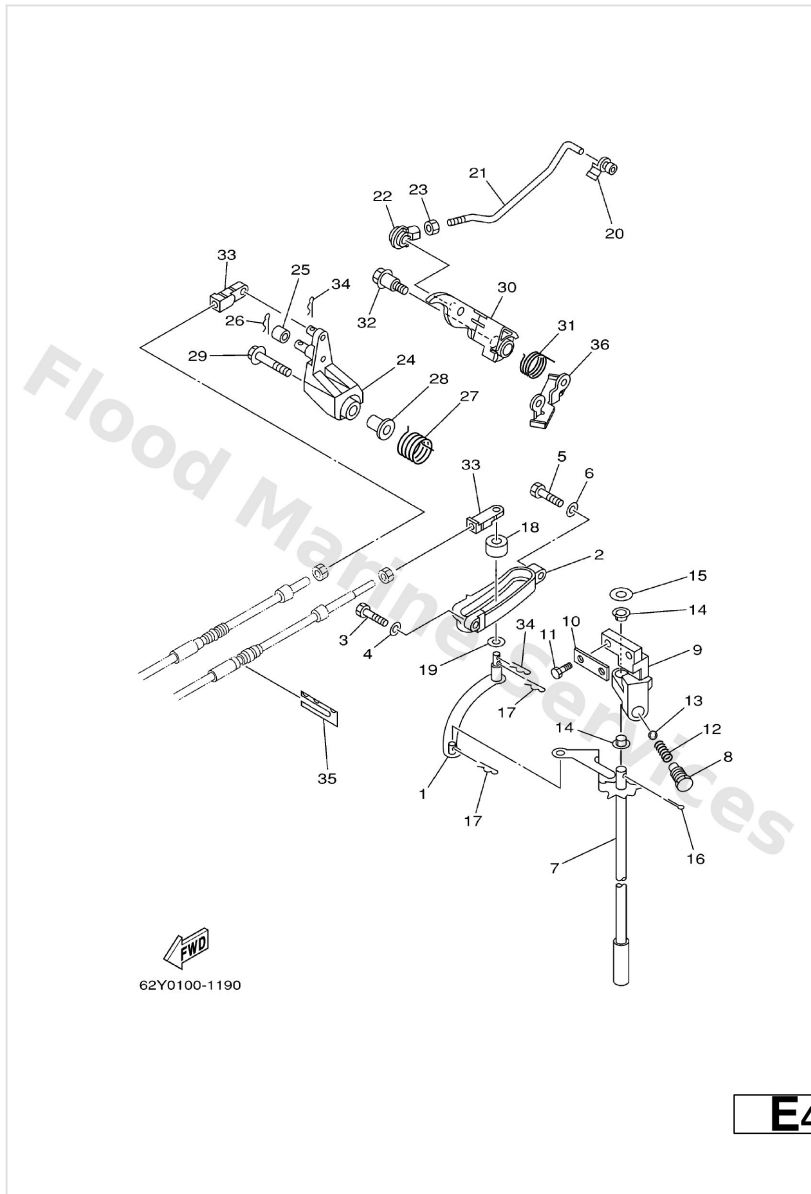
Ref	Part	
1	<a href="#">62Y4412101</a> Lever, shift rod	<a href="#">Buy now</a>
2	<a href="#">62Y44117014D</a> Bracket	<a href="#">Buy now</a>
3	<a href="#">9709506020</a> Bolt(7u8)	<a href="#">Buy now</a>
4	<a href="#">9299506600</a> Washer, plain (646)	<a href="#">Buy now</a>
5	<a href="#">9709506025</a> Bolt	<a href="#">Buy now</a>
7	<a href="#">62Y4412001</a> Handle gear shift assembly L	<a href="#">Buy now</a>
7	<a href="#">62Y4412021</a> Handle Gear Shift assembly X	<a href="#">Buy now</a>
8	<a href="#">62Y4271501</a> Bushing	<a href="#">Buy now</a>
9	<a href="#">62Y4411800</a> Bracket	<a href="#">Buy now</a>
10	<a href="#">62Y4411200</a> Stay, handle gear shift WITHOUT	<a href="#">Buy now</a>
12	<a href="#">9050112082</a> Spring 6484411600	<a href="#">Buy now</a>
13	<a href="#">9350104M02</a> Ball (697)	<a href="#">Buy now</a>
14	<a href="#">9038690M90</a> Bush(61a)	<a href="#">Buy now</a>
15	<a href="#">9020110M20</a> Washer, plate (663)	<a href="#">Buy now</a>
16	<a href="#">9149020015</a> Pin, cotter (648)	<a href="#">Buy now</a>

# Control



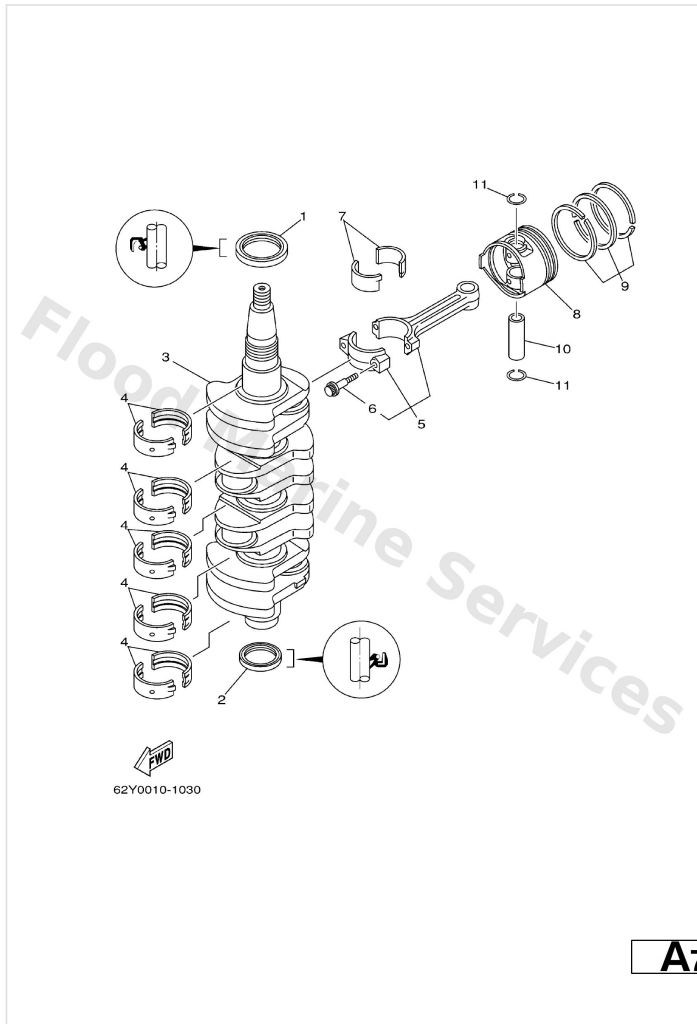
Ref	Part	
17	<a href="#">9046818008</a> Clip 620436610000	<a href="#">Buy now</a>
18	<a href="#">6884412200</a> Bushing, shift rod lever	<a href="#">Buy now</a>
19	<a href="#">9020207M07</a> Washer, plate (688)	<a href="#">Buy now</a>
20	<a href="#">6F54123700</a> Joint, link	<a href="#">Buy now</a>
21	<a href="#">62Y4124100</a> Rod, link	<a href="#">Buy now</a>
22	<a href="#">6624123701</a> Joint, link	<a href="#">Buy now</a>
23	<a href="#">9538005700</a> Nut (656)	<a href="#">Buy now</a>
24	<a href="#">62Y4215400</a> Lever, throttle control	<a href="#">Buy now</a>
25	<a href="#">62Y4217100</a> Bushing	<a href="#">Buy now</a>
26	<a href="#">9149016010</a> Pin, cotter	<a href="#">Buy now</a>
27	<a href="#">62Y4413500</a> Spring	<a href="#">Buy now</a>
28	<a href="#">9038706M45</a> Collar(62y)	<a href="#">Buy now</a>
29	<a href="#">9589506035</a> Bolt, flange(4nx)	<a href="#">Buy now</a>
30	<a href="#">62Y4233520</a> Lever, accel. control	<a href="#">Buy now</a>
31	<a href="#">62Y4411601</a> Spring	<a href="#">Buy now</a>

# Control



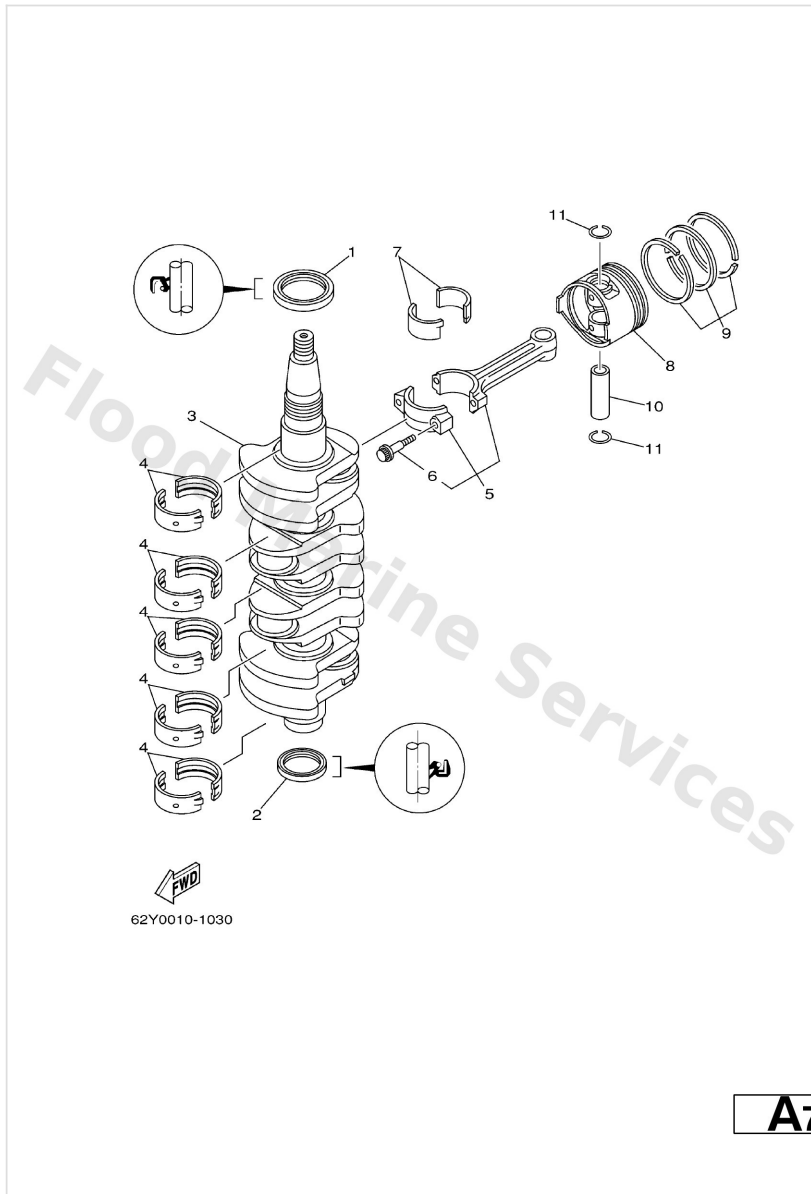
Ref	Part	
32	<a href="#">9010906M30</a> Bolt(62y)	<a href="#">Buy now</a>
33	<a href="#">6G82636300</a> End, wire 1	<a href="#">Buy now</a>
35	<a href="#">62Y4853800</a> Clamp, cable 1	<a href="#">Buy now</a>
36	<a href="#">62Y4215901</a> Stay	<a href="#">Buy now</a>

# Crankshaft. Piston



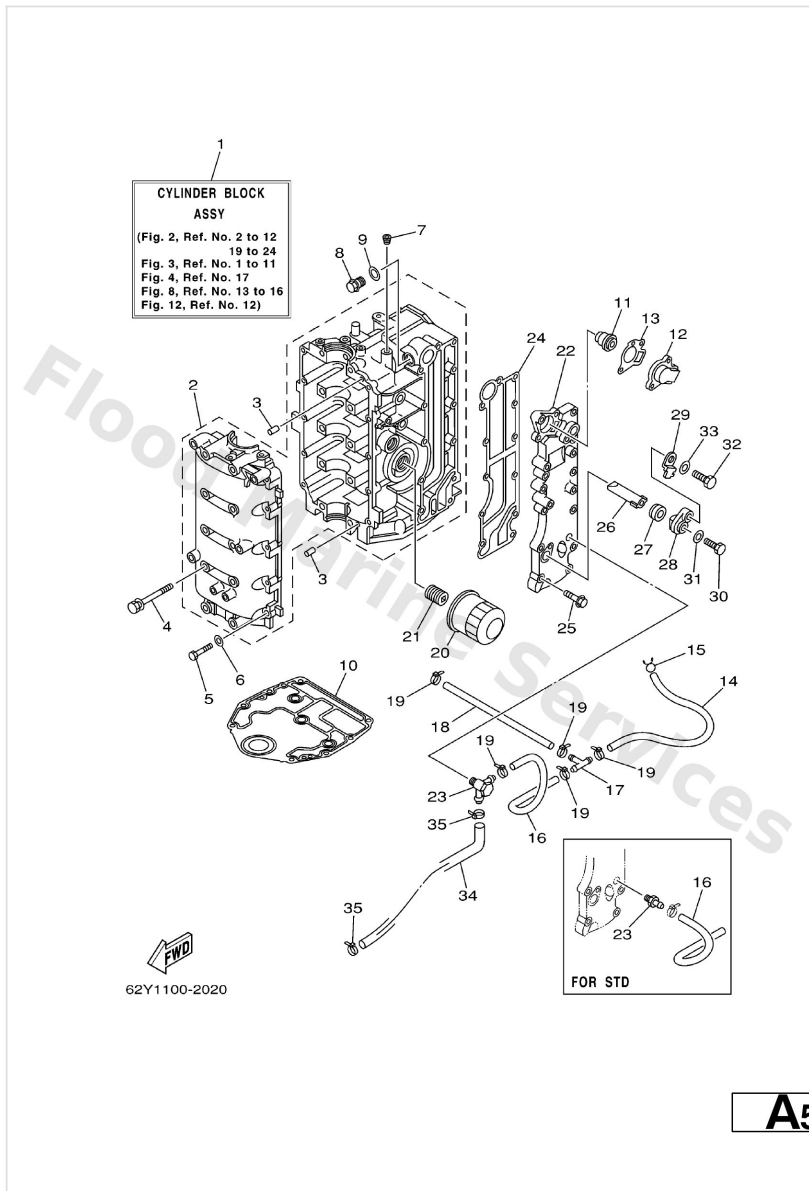
Ref	Part	
1	<a href="#">9310243M42</a> Oil seal(62y)	<a href="#">Buy now</a>
2	<a href="#">9310135002</a> Oil seal	<a href="#">Buy now</a>
3	<a href="#">62Y1141120</a> Crankshaft & nut set	<a href="#">Buy now</a>
4	<a href="#">62Y1141630</a> Plane bearing, crankshaft 1 UR YELLOW	<a href="#">Buy now</a>
4	<a href="#">62Y1141640</a> Plane bearing, crankshaft 1 UR RED	<a href="#">Buy now</a>
4	<a href="#">62Y1141650</a> Plane bearing, crankshaft 1 UR PINK	<a href="#">Buy now</a>
4	<a href="#">62Y1141660</a> Plane bearing, crankshaft 1 UR GREEN	<a href="#">Buy now</a>
5	<a href="#">62Y1165010</a> Connecting rod assembly	<a href="#">Buy now</a>
6	<a href="#">62Y1165400</a> Bolt, connecting rod	<a href="#">Buy now</a>
7	<a href="#">62Y1165630</a> Plane bearing, connecting rod UR YELLOW	<a href="#">Buy now</a>
7	<a href="#">62Y1165640</a> Plane bearing, connecting rod UR RED	<a href="#">Buy now</a>
7	<a href="#">62Y1165650</a> Plane bearing, connecting rod UR PINK	<a href="#">Buy now</a>
7	<a href="#">62Y1165660</a> Plane bearing, connecting rod UR GREEN	<a href="#">Buy now</a>
8	<a href="#">62Y116311096</a> Piston (std)	<a href="#">Buy now</a>
8	<a href="#">62Y1163510</a> Piston (0.25mm o/s) AP	<a href="#">Buy now</a>

# Crankshaft. Piston



Ref	Part	
8	<a href="#">62Y1163610</a> Piston (0.50mm o/s) AP	<a href="#">Buy now</a>
9	<a href="#">64J1160300</a> Piston ring set (std)	<a href="#">Buy now</a>
9	<a href="#">64J1160400</a> Piston ring set (0.25mm o/s) AP	<a href="#">Buy now</a>
9	<a href="#">64J1160500</a> Piston ring set (0.50mm o/s) AP	<a href="#">Buy now</a>
10	<a href="#">62Y1163300</a> Pin, piston	<a href="#">Buy now</a>
11	<a href="#">9345017129</a> Circlip(1ar)	<a href="#">Buy now</a>

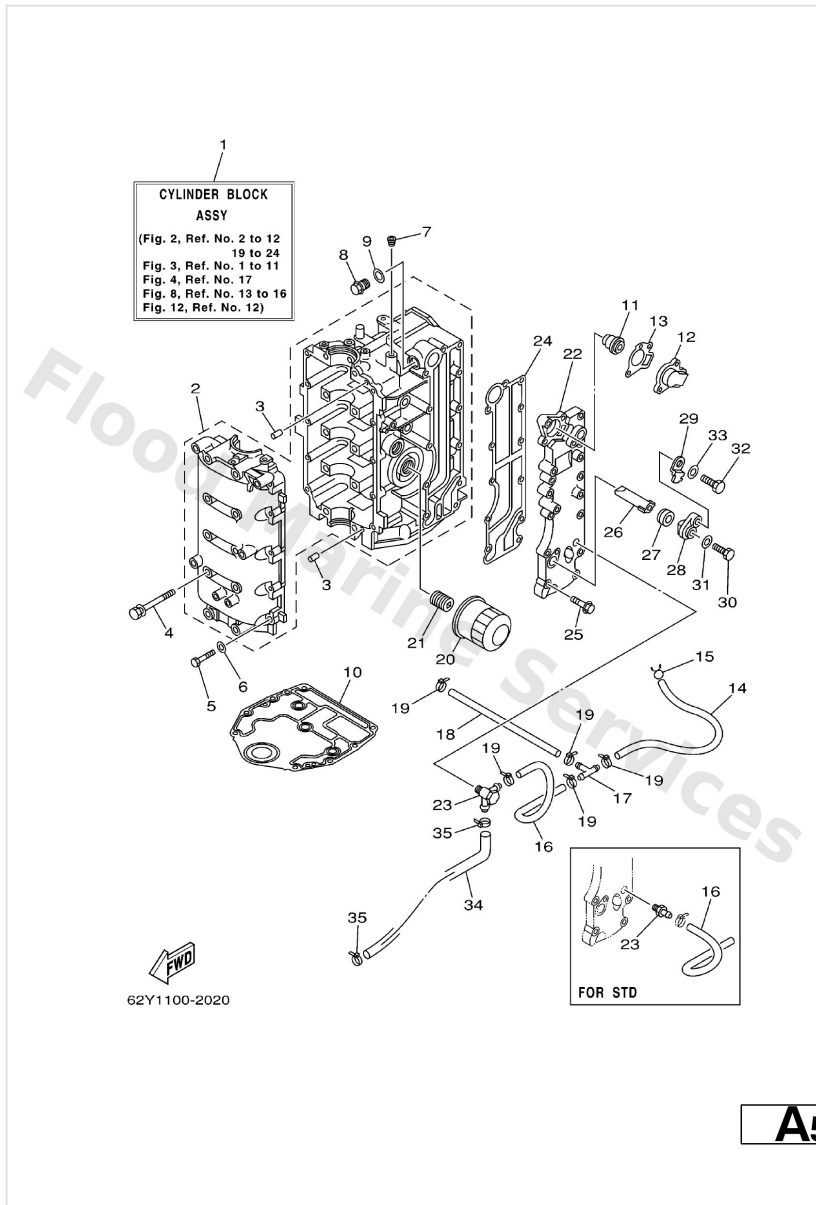
# Cylinder. Crankcase 1



Ref	Part	
?	<a href="#">64J15100001S</a> Crankcase assembly FT50C	<a href="#">Buy now</a>
3	<a href="#">9360612019</a> Pin, dowel (614)	<a href="#">Buy now</a>
4	<a href="#">9011908M01</a> Bolt, with washer(62y)	<a href="#">Buy now</a>
5	<a href="#">9701306035</a> Bolt(3rv)	<a href="#">Buy now</a>
6	<a href="#">9290306600</a> Washer, plain (646)	<a href="#">Buy now</a>
7	<a href="#">9034451003</a> Plug, taper screw	<a href="#">Buy now</a>
8	<a href="#">9034014M06</a> Plug, straight screw(62y)	<a href="#">Buy now</a>
9	<a href="#">9043014115</a> Gasket (663)	<a href="#">Buy now</a>
10	<a href="#">69W1135100</a> Gasket, cylinder	<a href="#">Buy now</a>
11	<a href="#">6G81241102</a> Thermostat	<a href="#">Buy now</a>
13	<a href="#">62Y1241400</a> Gasket, cover	<a href="#">Buy now</a>
14	<a href="#">9044509105</a> Hose (I420)	<a href="#">Buy now</a>
15	<a href="#">9046708M18</a> Clip	<a href="#">Buy now</a>
16	<a href="#">9044509068</a> Hose (I420)	<a href="#">Buy now</a>
17	<a href="#">6882437800</a> Pipe, joint	<a href="#">Buy now</a>

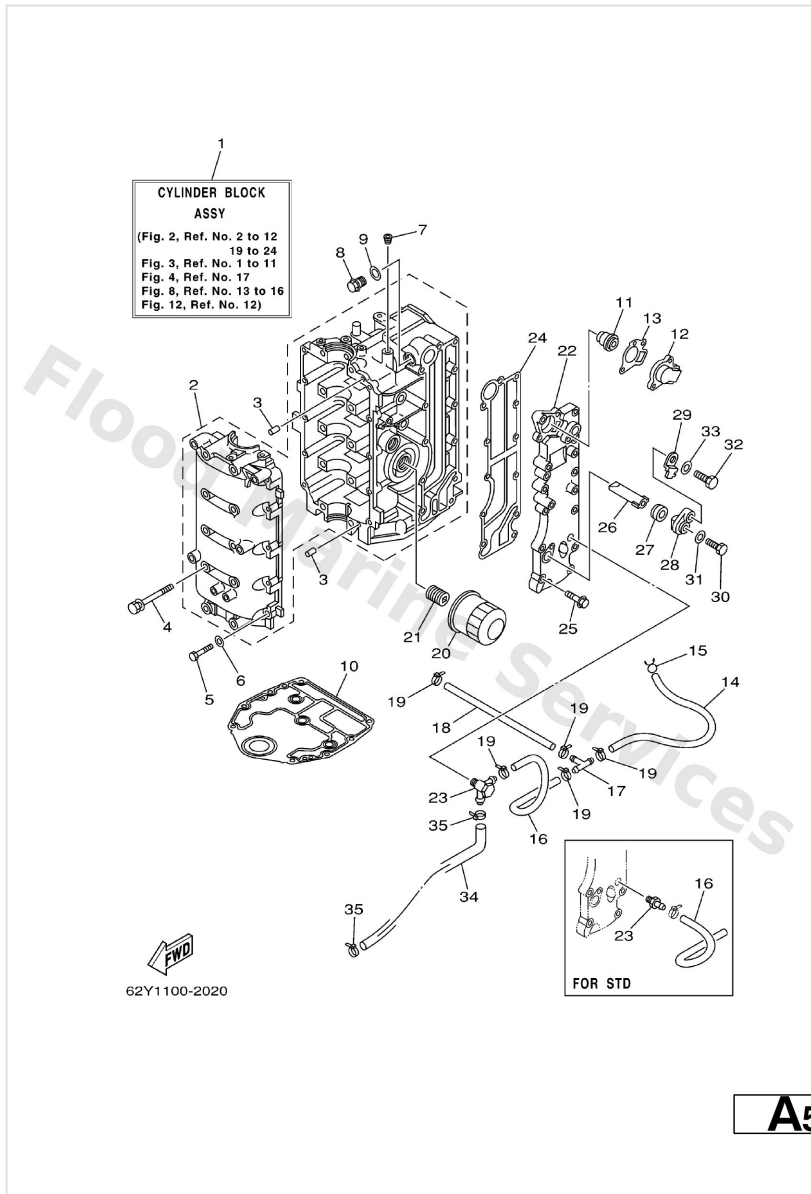


# Cylinder. Crankcase 1



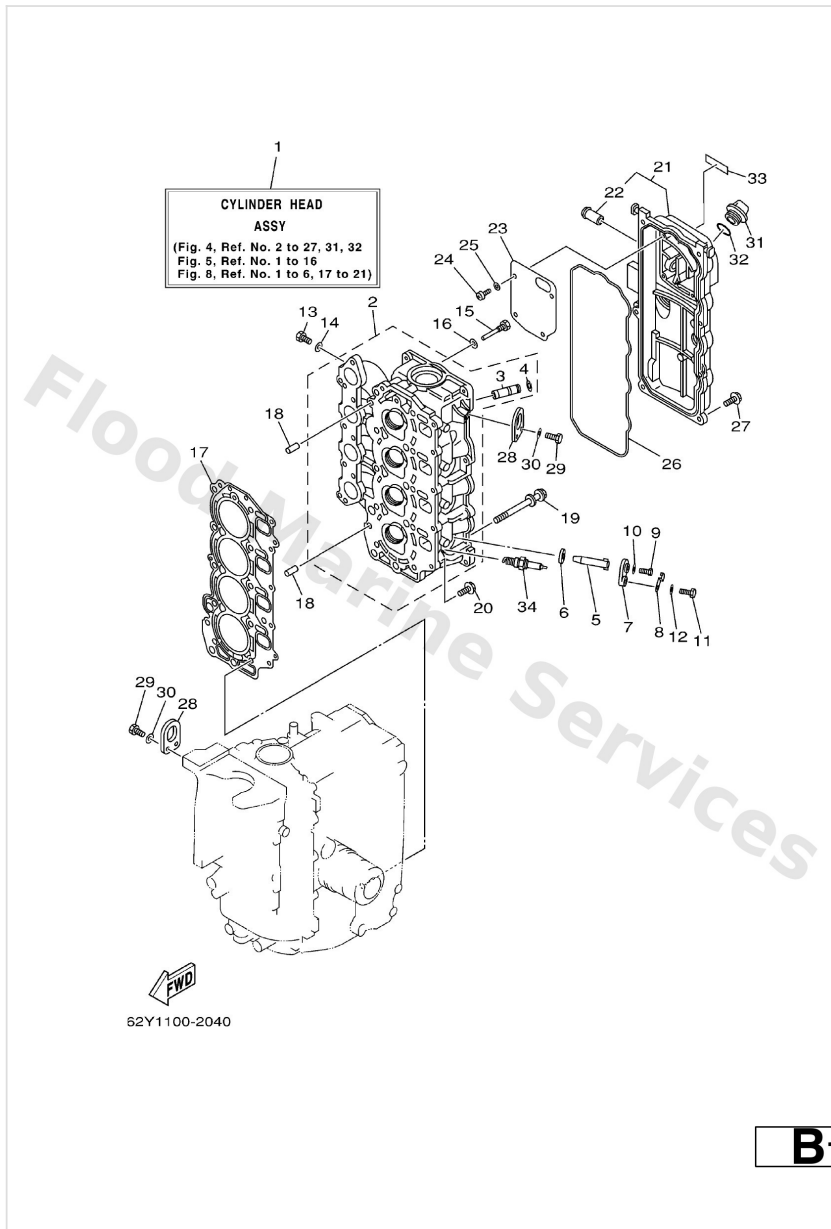
Ref	Part	
18	<a href="#">9044509095</a> Hose (L260)	<a href="#">Buy now</a>
35	<a href="#">9046511M10</a> Clamp FOR FLUSHING KIT	<a href="#">Buy now</a>
20	<a href="#">5GH1344000</a> Element assembly, oil cleaner	<a href="#">Buy now</a>
21	<a href="#">9040120M00</a> Bolt, union(62y)	<a href="#">Buy now</a>
22	<a href="#">62Y41113201S</a> Outer Cover Exhaust	<a href="#">Buy now</a>
23	<a href="#">62Y1137201</a> Nipple, hose FOR FLUSHING KIT	<a href="#">Buy now</a>
23	<a href="#">62Y1248110</a> Pipe 1 FOR STD	<a href="#">Buy now</a>
24	<a href="#">62Y4111400</a> Gasket, exhaust outer cover	<a href="#">Buy now</a>
25	<a href="#">9011906MA5</a> Bolt, with washer	<a href="#">Buy now</a>
26	<a href="#">62Y1132500</a> Anode	<a href="#">Buy now</a>
27	<a href="#">66M1132800</a> Grommet, anode	<a href="#">Buy now</a>
28	<a href="#">66M113270094</a> Cover, anode	<a href="#">Buy now</a>
29	<a href="#">66M1253500</a> Plate	<a href="#">Buy now</a>
30	<a href="#">9709505012</a> Bolt, hexagon	<a href="#">Buy now</a>
31	<a href="#">9299505600</a> Washer, plain (646)	<a href="#">Buy now</a>

# Cylinder. Crankcase 1



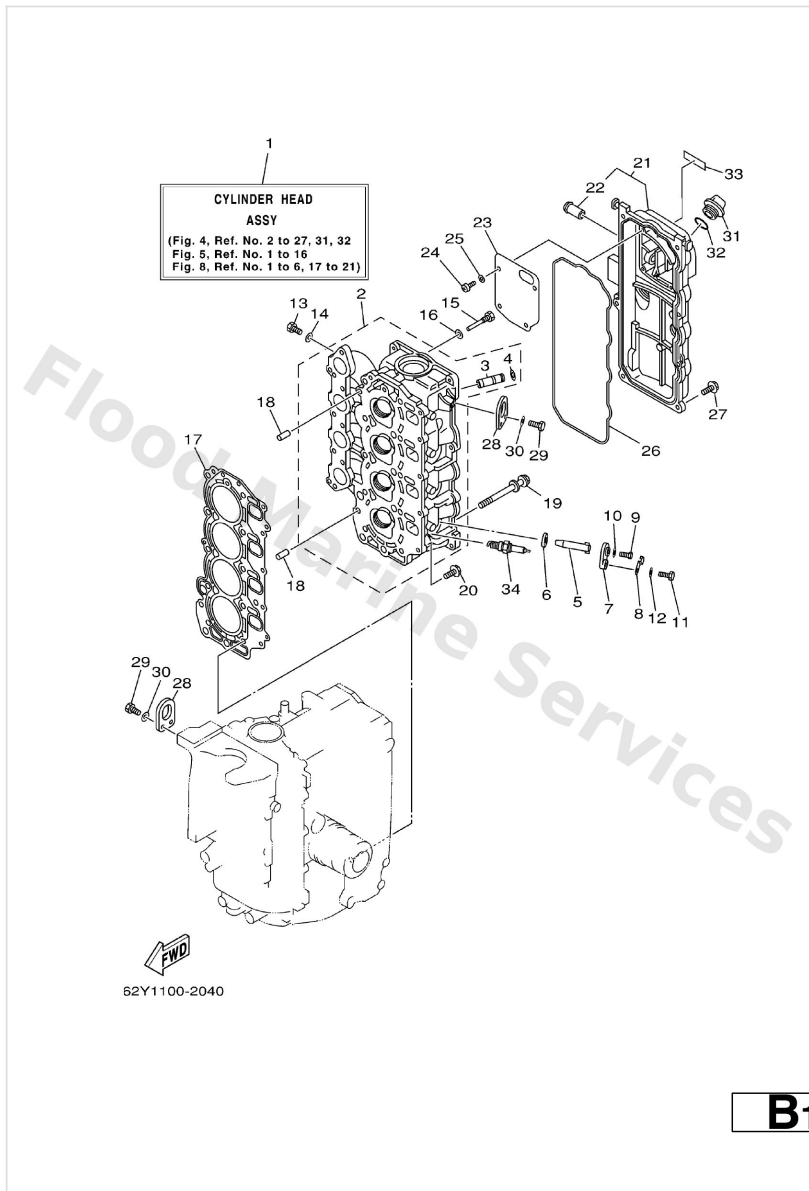
Ref	Part	
32	<a href="#">9701306020</a> Bolt(62y)	<a href="#">Buy now</a>
34	<a href="#">62Y2431210</a> Pipe 2 FOR FLUSHING KIT	<a href="#">Buy now</a>

# Cylinder. Crankcase 2



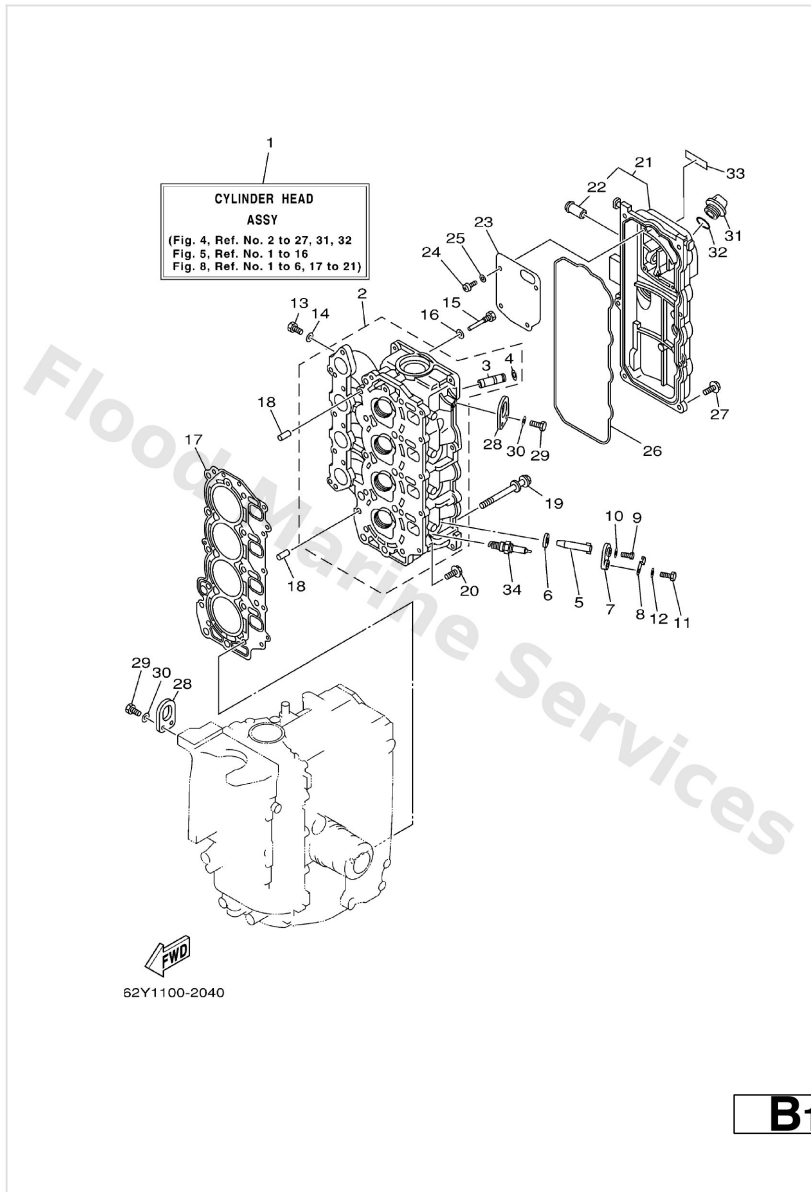
Ref	Part	
2	<a href="#">62Y1111201S</a> - F50,T50,F50A	<a href="#">Buy now</a>
2	<a href="#">64J11111001S</a> Head, cylinder 1 FT50C	<a href="#">Buy now</a>
3	<a href="#">62Y1113330</a> Guide, valve 1	<a href="#">Buy now</a>
4	<a href="#">9345009M01</a> Circlip (6g8)	<a href="#">Buy now</a>
5	<a href="#">62Y1132500</a> Anode	<a href="#">Buy now</a>
6	<a href="#">66M1132800</a> Grommet, anode	<a href="#">Buy now</a>
7	<a href="#">66M113270094</a> Cover, anode	<a href="#">Buy now</a>
8	<a href="#">66M1253500</a> Plate	<a href="#">Buy now</a>
9	<a href="#">9709505012</a> Bolt, hexagon	<a href="#">Buy now</a>
10	<a href="#">9299505600</a> Washer, plain (646)	<a href="#">Buy now</a>
11	<a href="#">9709506020</a> Bolt(7u8)	<a href="#">Buy now</a>
12	<a href="#">9299506600</a> Washer, plain (646)	<a href="#">Buy now</a>
13	<a href="#">9709506010</a> Bolt	<a href="#">Buy now</a>
14	<a href="#">9043006014</a> Gasket 256113960000	<a href="#">Buy now</a>
15	<a href="#">9010906M65</a> Bolt(62y)	<a href="#">Buy now</a>

# Cylinder. Crankcase 2



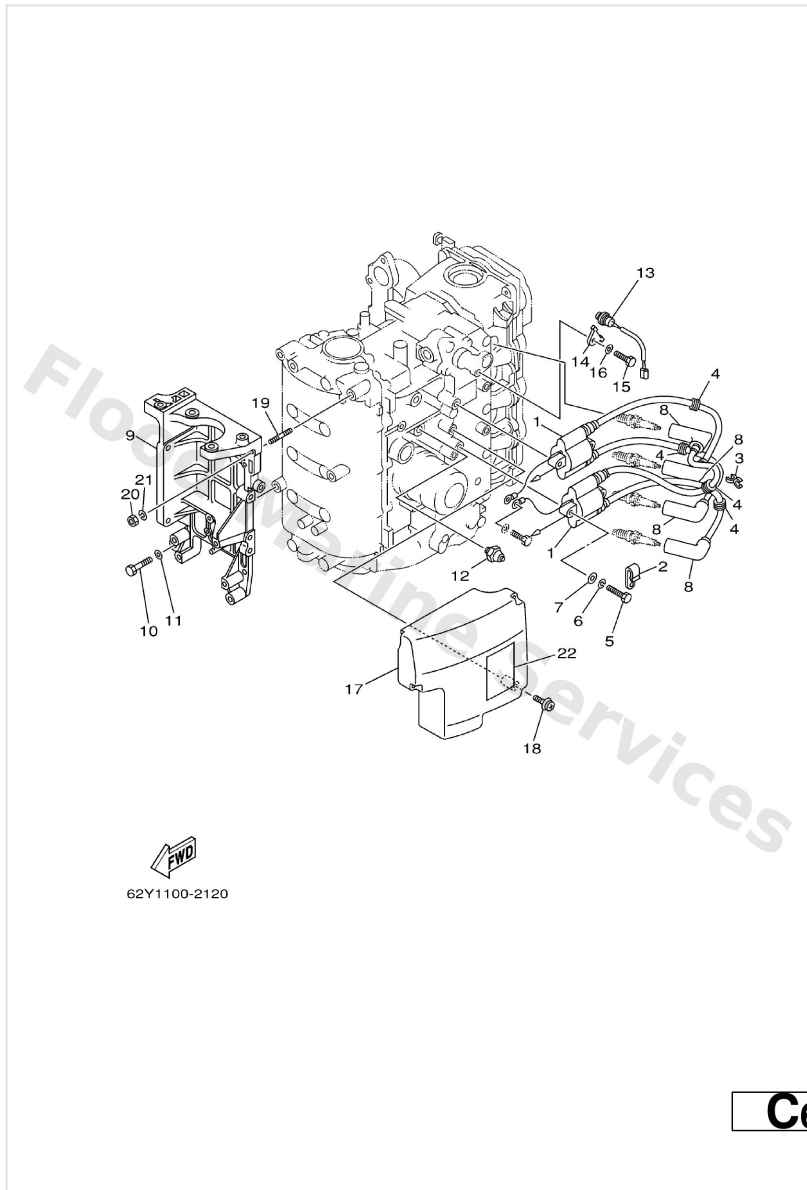
Ref	Part	
17	<a href="#">62Y1118100</a> Gasket, cylinder head 1	<a href="#">Buy now</a>
18	<a href="#">9953008012</a> Pin, dowel(6g8)	<a href="#">Buy now</a>
19	<a href="#">9011909M00</a> Bolt, with washer(62y)	<a href="#">Buy now</a>
20	<a href="#">9011906MA3</a> Bolt, with washer	<a href="#">Buy now</a>
21	<a href="#">62Y11191011S</a> Cover, cylinder head 1	<a href="#">Buy now</a>
22	<a href="#">62Y1448500</a> Pipe, joint	<a href="#">Buy now</a>
23	<a href="#">62Y1116800</a> Cover, breather	<a href="#">Buy now</a>
24	<a href="#">9850704010</a> Screw, pan head(6g8)	<a href="#">Buy now</a>
25	<a href="#">9290704600</a> Washer(jf2)	<a href="#">Buy now</a>
26	<a href="#">62Y1135600</a> Seal, cylinder 2	<a href="#">Buy now</a>
27	<a href="#">9011906MA2</a> Bolt, with washer	<a href="#">Buy now</a>
28	<a href="#">62Y1111900</a> Hanger, engine	<a href="#">Buy now</a>
31	<a href="#">6G81536300</a> Plug, oil	<a href="#">Buy now</a>
32	<a href="#">9321024M79</a> O-ring	<a href="#">Buy now</a>
33	<a href="#">62Y1213840</a> Mark, Caution FOR USA,OCEANIA	<a href="#">Buy now</a>

# Cylinder. Crankcase 2



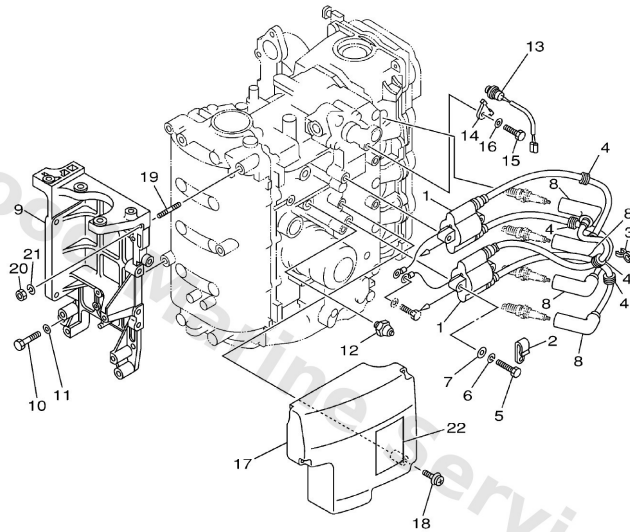
Ref	Part	
33	<a href="#">62Y1213850</a> Mark, Caution FOR CANADA	<a href="#">Buy now</a>
34	<a href="#">9470100375</a> Plug, spark (dpr6ea-9)(62y)	<a href="#">Buy now</a>

# Electrical 1



Ref	Part	
1	<a href="#">62Y8557000</a> Ignition coil assembly	<a href="#">Buy now</a>
2	<a href="#">9046506M90</a> Clamp	<a href="#">Buy now</a>
3	<a href="#">9046407M41</a> Clamp(62y)	<a href="#">Buy now</a>
4	<a href="#">9048025161</a> Grommet(656)	<a href="#">Buy now</a>
5	<a href="#">9709506030</a> Bolt(jf7)	<a href="#">Buy now</a>
6	<a href="#">9299506100</a> Washer(6a1)	<a href="#">Buy now</a>
7	<a href="#">9299506600</a> Washer, plain (646)	<a href="#">Buy now</a>
8	<a href="#">6G88237030</a> Plug cap assembly	<a href="#">Buy now</a>
9	<a href="#">62Y818220194</a> Bracket, starting motor	<a href="#">Buy now</a>
10	<a href="#">9709508035</a> Bolt(70w)	<a href="#">Buy now</a>
11	<a href="#">9299508600</a> Washer, plain (663)	<a href="#">Buy now</a>
12	<a href="#">64J8250400</a> Oil pressure switch assembly "EHT"-FOR CANADA	<a href="#">Buy now</a>
13	<a href="#">62Y8256001</a> Thermo switch assembly	<a href="#">Buy now</a>
14	<a href="#">6E98258800</a> Plate	<a href="#">Buy now</a>
15	<a href="#">9709506012</a> Bolt(gh1)	<a href="#">Buy now</a>

# Electrical 1

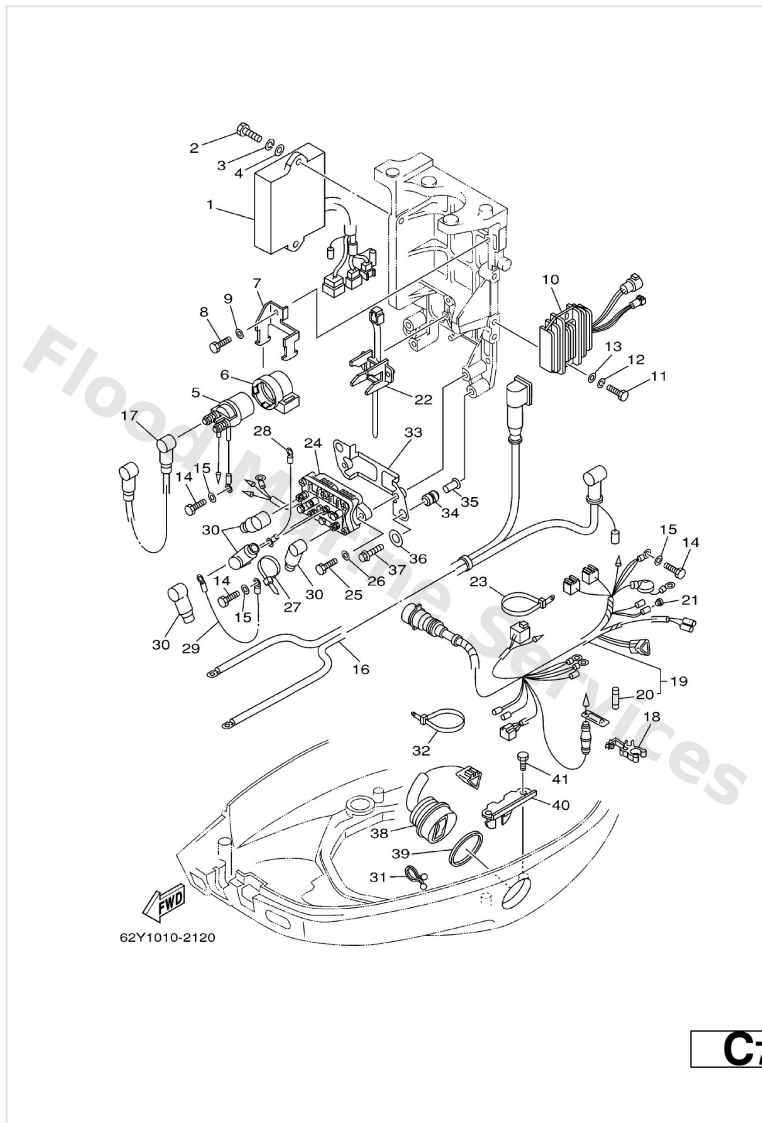


62Y1100-2120

C6

Ref	Part	
17	<a href="#">62Y8559900</a> Cover	<a href="#">Buy now</a>
18	<a href="#">9015906M08</a> Screw, with washer(6k7)	<a href="#">Buy now</a>
19	<a href="#">9011608M14</a> Bolt, stud (6e5)	<a href="#">Buy now</a>
20	<a href="#">9538008600</a> Nut (661)	<a href="#">Buy now</a>
21	<a href="#">9299008100</a> Ybs67-8 washer, spring	<a href="#">Buy now</a>
22	<a href="#">62Y8362600</a> Mark. 6	<a href="#">Buy now</a>

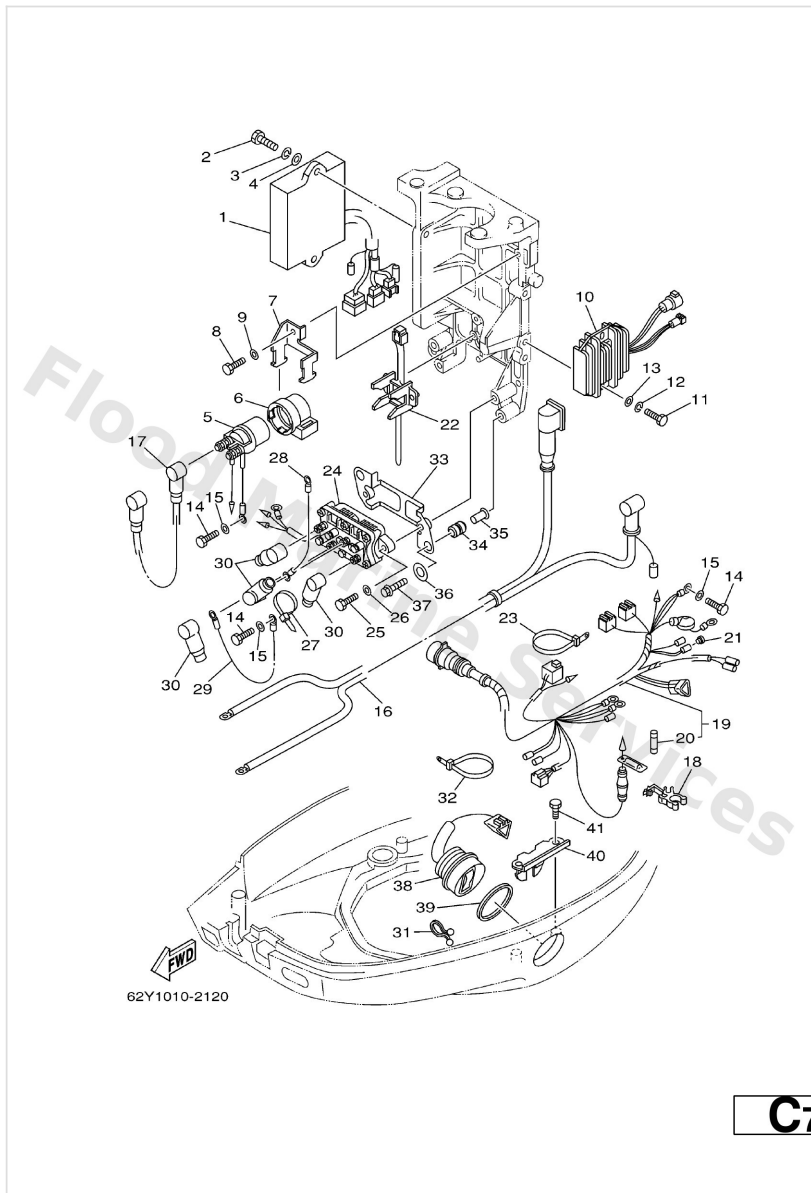
## Electrical 2



Ref	Part	
1	<a href="#">64J8554001</a> C.d.i. unit assembly F50,T50,F50A	<a href="#">Buy now</a>
1	<a href="#">64J8554011</a> C.d.i. unit assembly FT50C	<a href="#">Buy now</a>
2	<a href="#">9709506020</a> Bolt(7u8)	<a href="#">Buy now</a>
3	<a href="#">9299506100</a> Washer(6a1)	<a href="#">Buy now</a>
4	<a href="#">9299506600</a> Washer, plain (646)	<a href="#">Buy now</a>
5	<a href="#">6G18194110</a> Starter relay	<a href="#">Buy now</a>
6	<a href="#">6G18195200</a> Holder, relay	<a href="#">Buy now</a>
7	<a href="#">6L28194500</a> Plate, switch fitting	<a href="#">Buy now</a>
8	<a href="#">9709506014</a> Bolt(gj3)	<a href="#">Buy now</a>
10	<a href="#">64J8196000</a> Rectifier & regulator assembly	<a href="#">Buy now</a>
11	<a href="#">9709506025</a> Bolt	<a href="#">Buy now</a>
14	<a href="#">9709506012</a> Bolt(gh1)	<a href="#">Buy now</a>
16	<a href="#">62Y8210500</a> Battery cable FOR CANADA,	<a href="#">Buy now</a>
16	<a href="#">62Y82105U0</a> Wire Harness FOR USA	<a href="#">Buy now</a>
17	<a href="#">6E58211701</a> Wire, lead	<a href="#">Buy now</a>

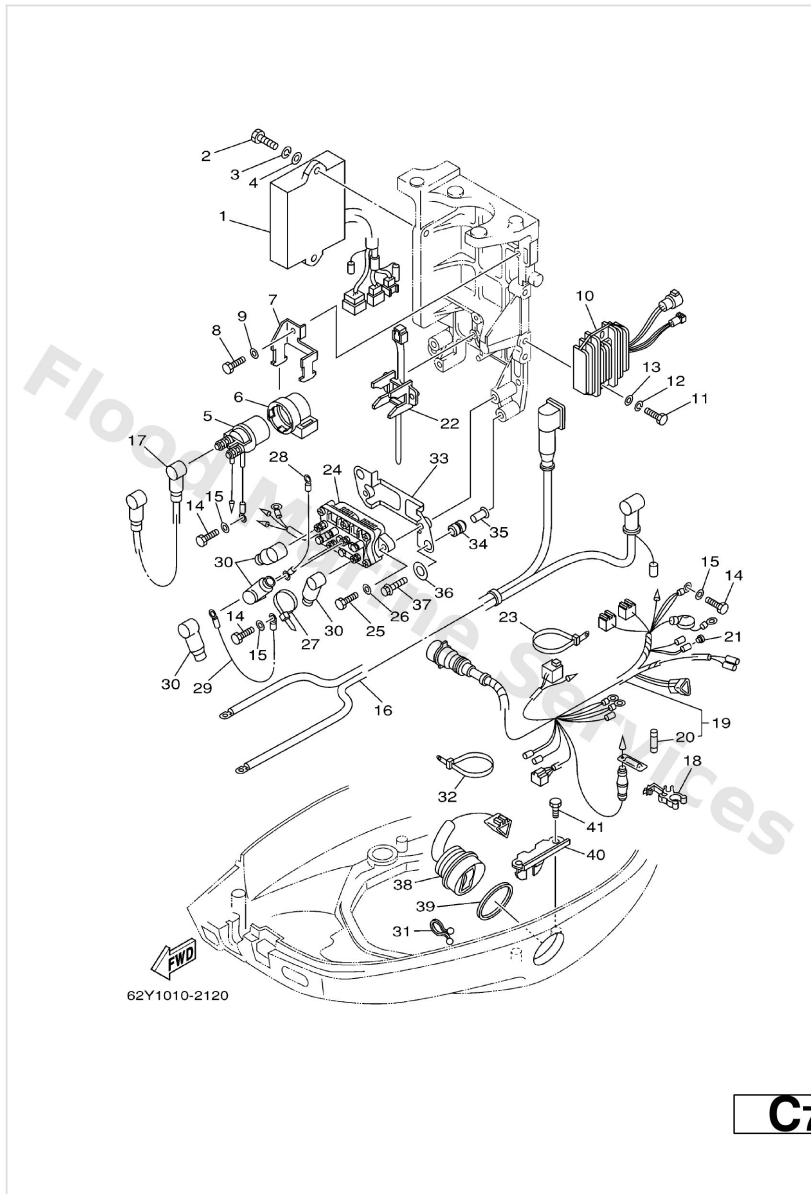


## Electrical 2



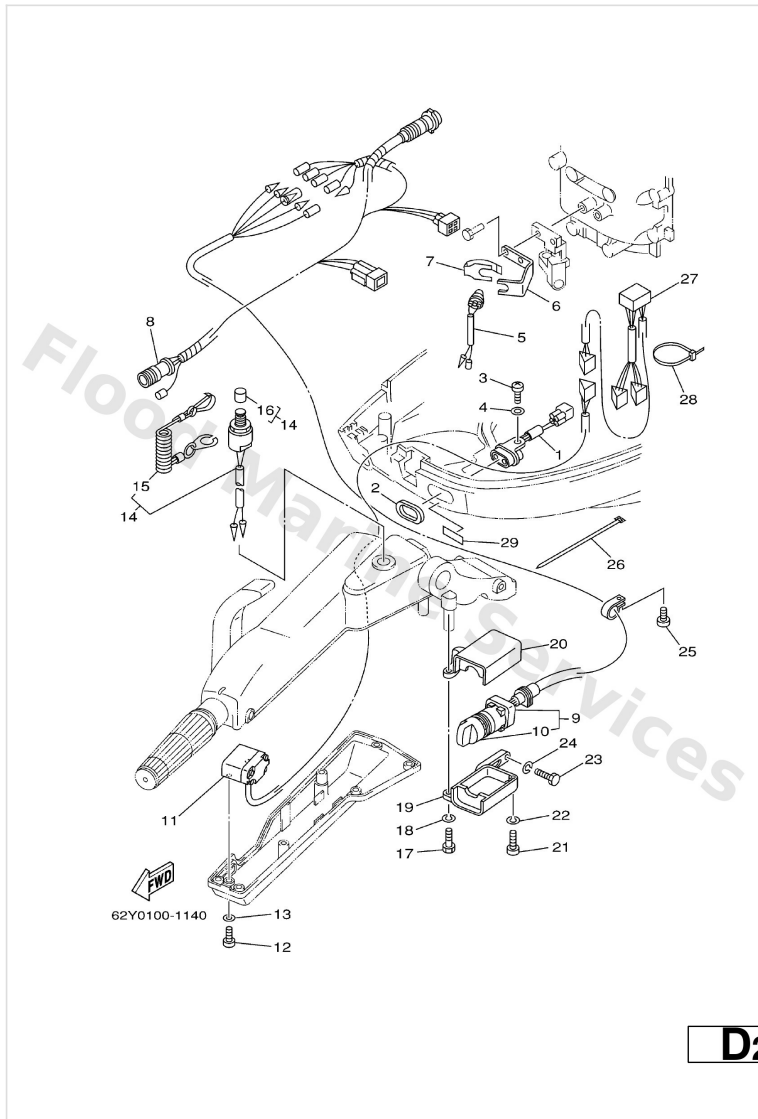
Ref	Part	
18	<a href="#">6G58215200</a> Holder, fuse	<a href="#">Buy now</a>
19	<a href="#">64J8259030</a> Wire Harness assembly	<a href="#">Buy now</a>
20	<a href="#">6638215100</a> Fuse	<a href="#">Buy now</a>
21	<a href="#">7038211900</a> Cover, lead wire	<a href="#">Buy now</a>
22	<a href="#">6888259400</a> Clamp	<a href="#">Buy now</a>
23	<a href="#">9046513M24</a> Band, switch cord	<a href="#">Buy now</a>
24	<a href="#">6H18195000</a> Relay aasy	<a href="#">Buy now</a>
27	<a href="#">9046513M11</a> Clamp (6e5)	<a href="#">Buy now</a>
28	<a href="#">6H28194901</a> Wire, lead	<a href="#">Buy now</a>
29	<a href="#">61A8194900</a> Wire, lead	<a href="#">Buy now</a>
30	<a href="#">6828211901</a> Cover, lead wire	<a href="#">Buy now</a>
31	<a href="#">9046415M11</a> Clamp (3y2)	<a href="#">Buy now</a>
33	<a href="#">62Y8194800</a> Bracket	<a href="#">Buy now</a>
34	<a href="#">6A08231700</a> Damper, ignition coil	<a href="#">Buy now</a>
35	<a href="#">6244254200</a> Collar	<a href="#">Buy now</a>

## Electrical 2



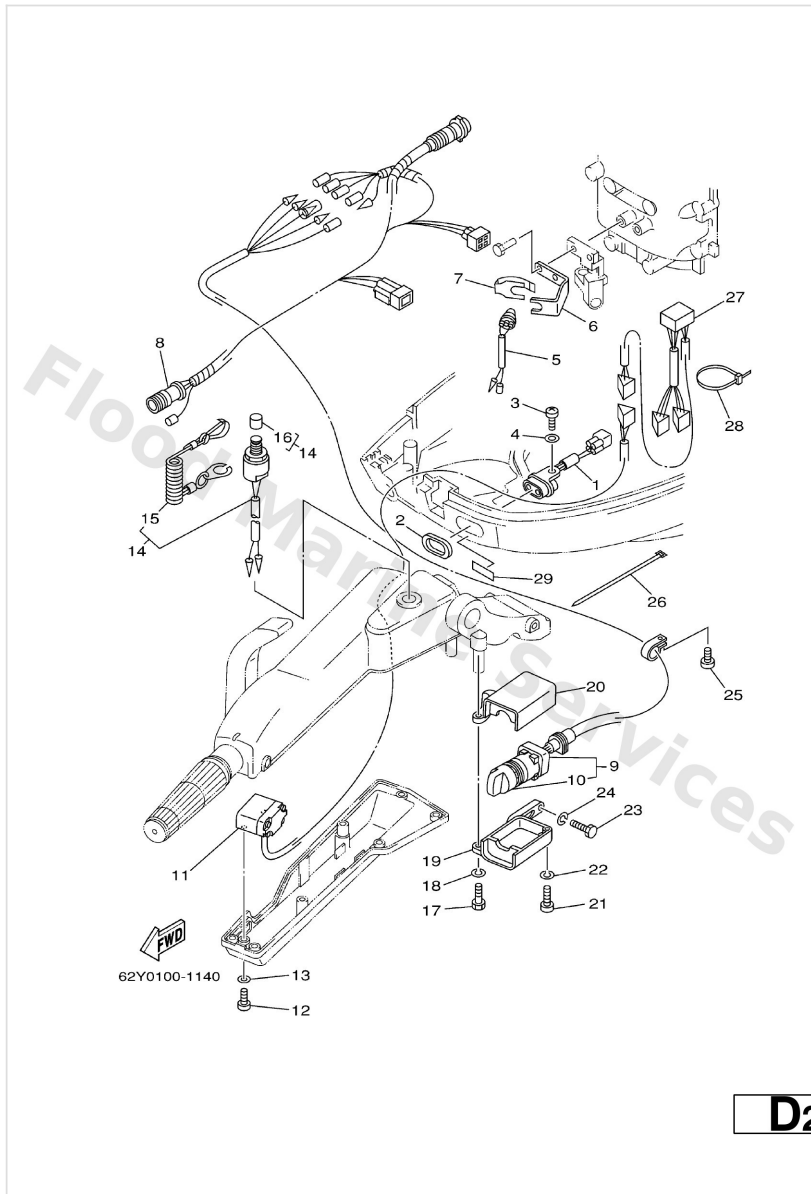
Ref	Part	
36	<a href="#">9020112M16</a> Washer, plate (679)	<a href="#">Buy now</a>
37	<a href="#">9589506025</a> Bolt, flange deep recess	<a href="#">Buy now</a>
38	<a href="#">63D8256310</a> Trim & tilt switch assembly	<a href="#">Buy now</a>
39	<a href="#">6E58258700</a> Gasket	<a href="#">Buy now</a>
40	<a href="#">62Y8361400</a> Bracket	<a href="#">Buy now</a>

# Electrical 3



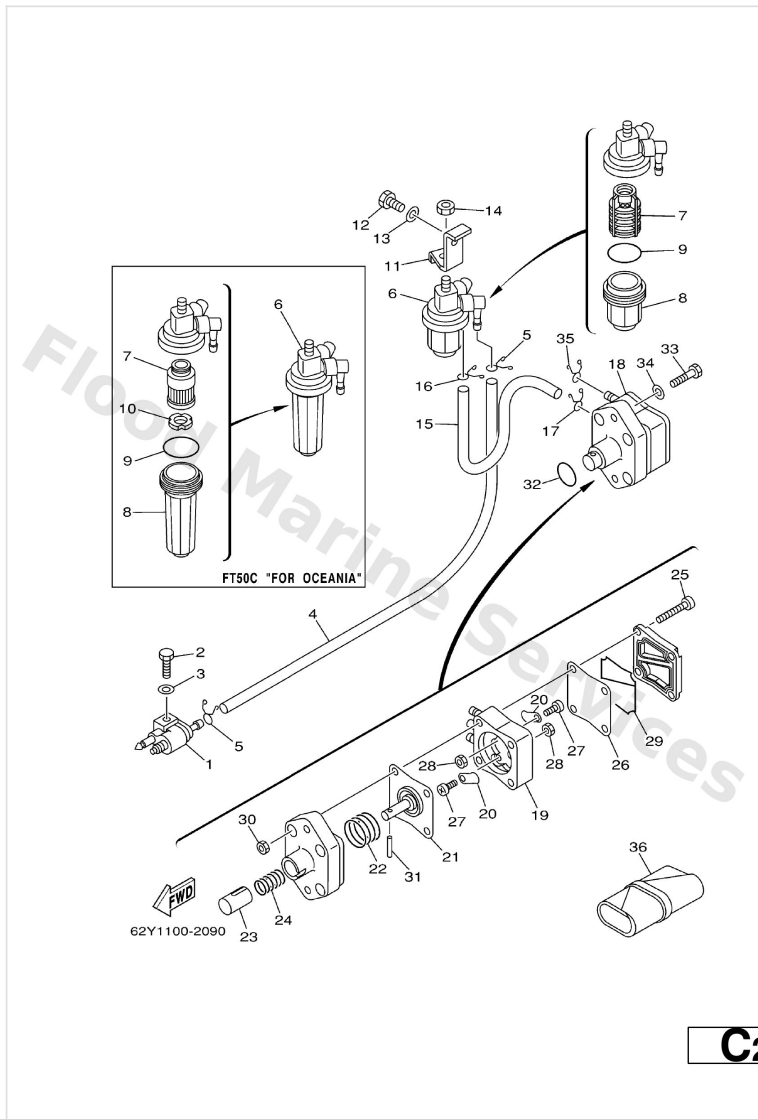
Ref	Part	
1	<a href="#">62Y8430100</a> Pilot light assembly 1 FOR OCEANIA	<a href="#">Buy now</a>
2	<a href="#">6H48358900</a> Gasket FOR OCEANIA	<a href="#">Buy now</a>
3	<a href="#">9788006014</a> Screw, pan head(6h2) FOR OCEANIA	<a href="#">Buy now</a>
4	<a href="#">9299006600</a> Washer, plain (646) FOR OCEANIA	<a href="#">Buy now</a>
5	<a href="#">6F58254000</a> Neutral switch assembly	<a href="#">Buy now</a>
6	<a href="#">62Y8255400</a> Stay, neutral switch	<a href="#">Buy now</a>
7	<a href="#">62Y8255510</a> Damper, Main Switch 1	<a href="#">Buy now</a>
8	<a href="#">6H28258601</a> Extension, Wire Harness FOR CANADA	<a href="#">Buy now</a>
9	<a href="#">6H38251012</a> Main Switch assembly FOR OCEANIA	<a href="#">Buy now</a>
9	<a href="#">6H58251001</a> Main Switch assembly FOR CANADA	<a href="#">Buy now</a>
10	<a href="#">6768257700</a> Cap, key	<a href="#">Buy now</a>
11	<a href="#">67G8256300</a> Trim & tilt switch assembly	<a href="#">Buy now</a>
12	<a href="#">9788506016</a> Screw, pan head(6b0)	<a href="#">Buy now</a>
13	<a href="#">9299506600</a> Washer, plain (646)	<a href="#">Buy now</a>
14	<a href="#">63D8257500</a> Engine stop switch assembly	<a href="#">Buy now</a>

# Electrical 3



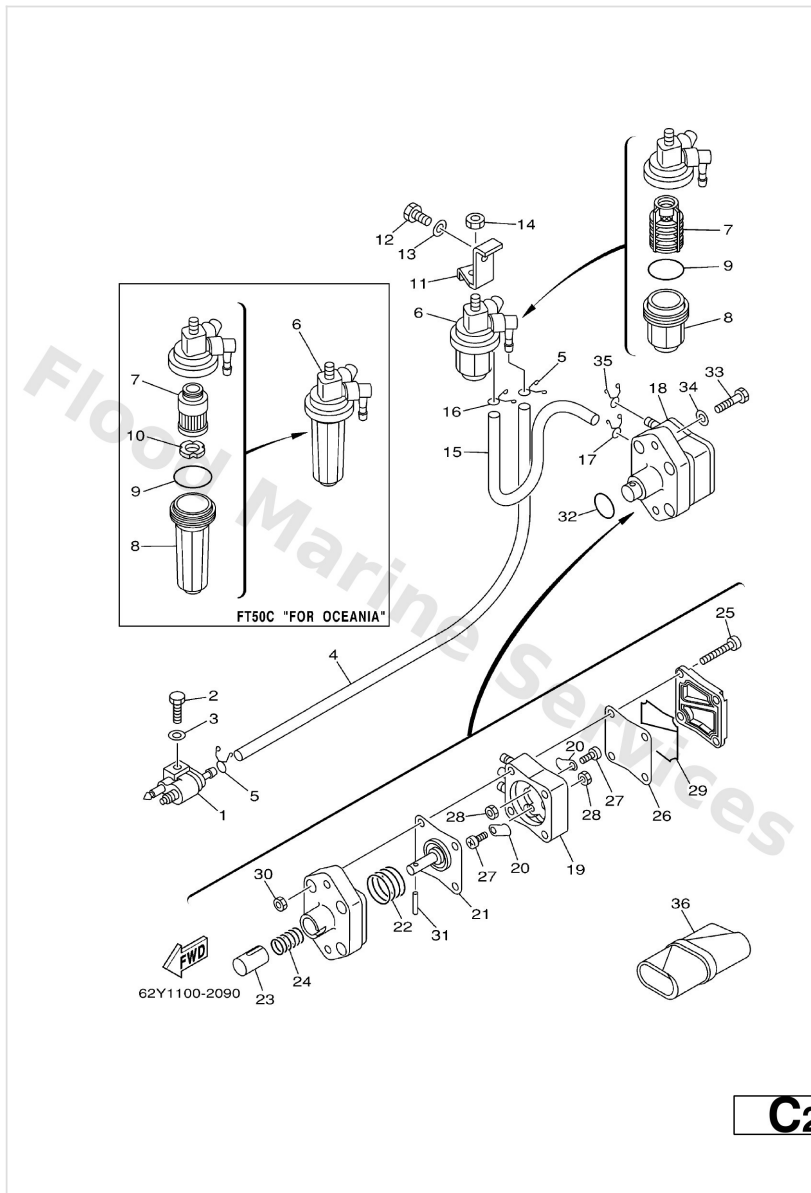
Ref	Part	
15	<a href="#">6828255600</a> Lanyard, stop switch	<a href="#">Buy now</a>
16	<a href="#">6898257Y00</a> Cap	<a href="#">Buy now</a>
17	<a href="#">9709506025</a> Bolt	<a href="#">Buy now</a>
18	<a href="#">9299506100</a> Washer(6a1)	<a href="#">Buy now</a>
21	<a href="#">9788506025</a> Screw, pan head(6b0)	<a href="#">Buy now</a>
23	<a href="#">9709506020</a> Bolt(7u8)	<a href="#">Buy now</a>
25	<a href="#">9788506012</a> Screw, pan head(62j)	<a href="#">Buy now</a>
26	<a href="#">9046513M36</a> Clamp(6h4)	<a href="#">Buy now</a>
27	<a href="#">63D8372800</a> Connector assembly	<a href="#">Buy now</a>
28	<a href="#">9046513M24</a> Band, switch cord	<a href="#">Buy now</a>
29	<a href="#">6H48541510</a> Mark, signal lamp <b>FOR OCEANIA</b>	<a href="#">Buy now</a>

# Fuel 1



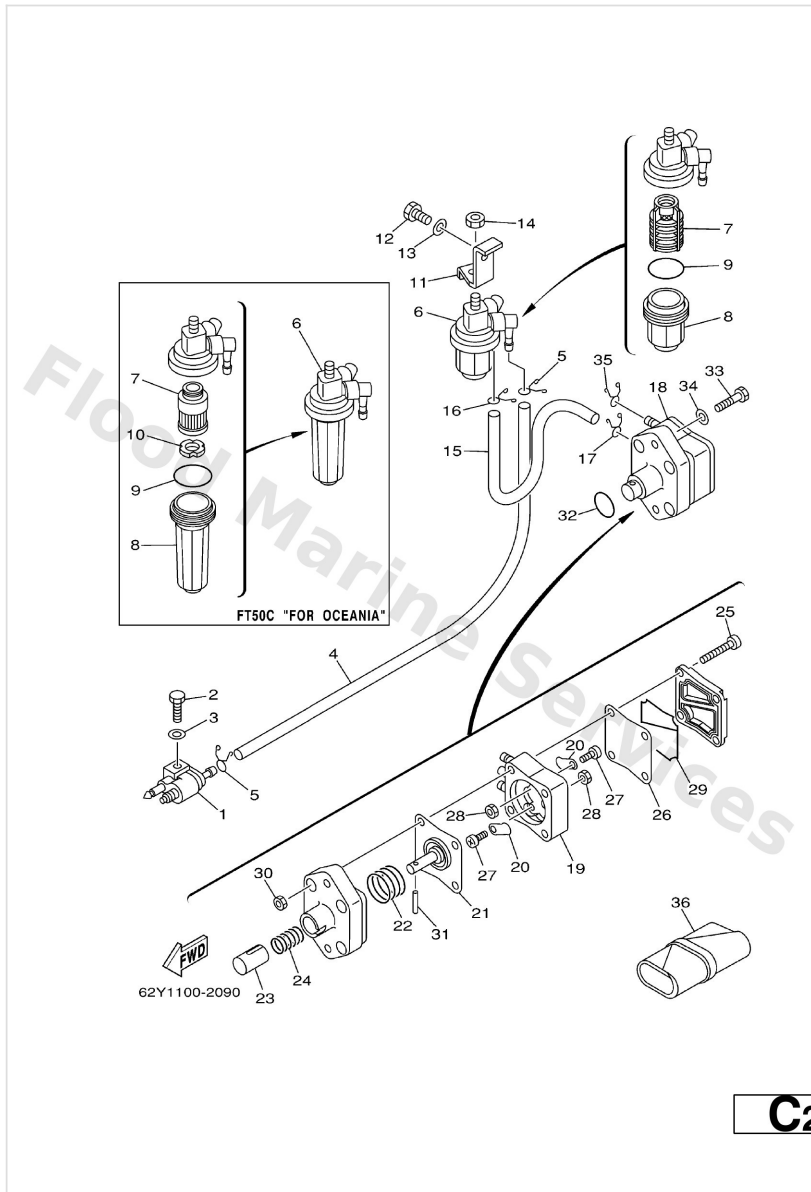
Ref	Part	
1	<a href="#">6G12430402</a> Fuel pipe joint comp. 1	<a href="#">Buy now</a>
2	<a href="#">9709506025</a> Bolt	<a href="#">Buy now</a>
3	<a href="#">9299506600</a> Washer, plain (646)	<a href="#">Buy now</a>
4	<a href="#">9044510020</a> Hose (I590)	<a href="#">Buy now</a>
5	<a href="#">9046709M17</a> Clip(6k8)	<a href="#">Buy now</a>
6	<a href="#">61N2456000</a> Filter assembly F50,T50,F50A	<a href="#">Buy now</a>
6	<a href="#">64J2456000</a> Filter assembly FT50C	<a href="#">Buy now</a>
7	<a href="#">61N2456300</a> Element, filter FOR 61N-24560-00	<a href="#">Buy now</a>
7	<a href="#">68V2456300</a> Element, filter FOR 64J-24560-00	<a href="#">Buy now</a>
8	<a href="#">61N2452100</a> Cup, filter FOR 61N-24560-00	<a href="#">Buy now</a>
8	<a href="#">68V2452100</a> Cup, filter FOR 64J-24560-00	<a href="#">Buy now</a>
9	<a href="#">9321032738</a> O-ring(1wg)	<a href="#">Buy now</a>
10	<a href="#">68V2446900</a> Float, water level FOR 64J-24560-00	<a href="#">Buy now</a>
11	<a href="#">62Y2456600</a> Bracket, filter	<a href="#">Buy now</a>
12	<a href="#">9709508014</a> Bolt, hexagon deep recess	<a href="#">Buy now</a>

# Fuel 1



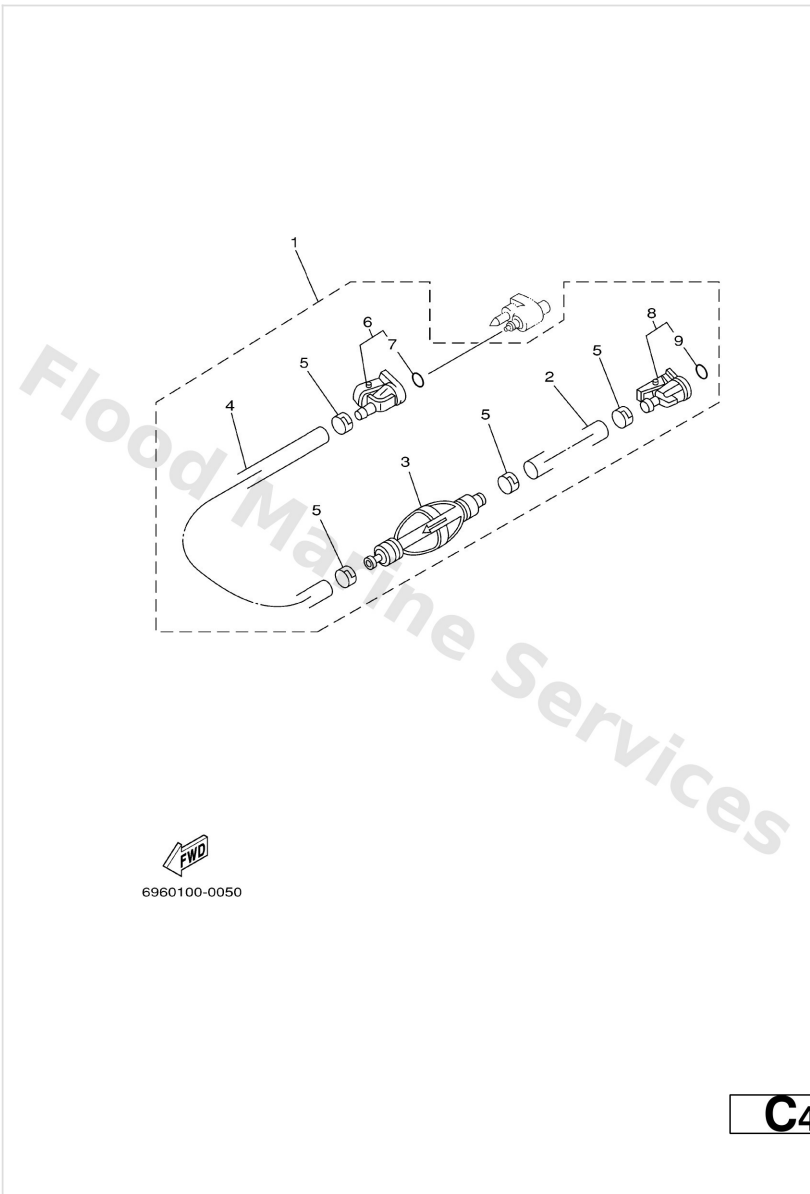
Ref	Part	
13	<a href="#">9299508600</a> Washer, plain (663)	<a href="#">Buy now</a>
14	<a href="#">9538008600</a> Nut (661)	<a href="#">Buy now</a>
15	<a href="#">9044510M48</a> Hose (I400)	<a href="#">Buy now</a>
17	<a href="#">9046710M04</a> Clip, pipe 1 (6e9)	<a href="#">Buy now</a>
18	<a href="#">62Y2441002</a> Fuel pump assembly	<a href="#">Buy now</a>
19	<a href="#">62Y2441300</a> Body 4	<a href="#">Buy now</a>
20	<a href="#">62Y2442101</a> Valve, check	<a href="#">Buy now</a>
21	<a href="#">62Y2441102</a> Diaphragm	<a href="#">Buy now</a>
22	<a href="#">62Y2442300</a> Spring, diaphragm	<a href="#">Buy now</a>
23	<a href="#">62Y1313101</a> Plunger	<a href="#">Buy now</a>
24	<a href="#">62Y2445400</a> Spring	<a href="#">Buy now</a>
25	<a href="#">62Y2444400</a> Screw	<a href="#">Buy now</a>
26	<a href="#">62Y2447100</a> Diaphragm	<a href="#">Buy now</a>
27	<a href="#">6A01432500</a> Screw, pan head	<a href="#">Buy now</a>
28	<a href="#">9538003600</a> Nut (6g8)	<a href="#">Buy now</a>

# Fuel 1



Ref	Part	
29	<a href="#">62Y2445200</a> Packing	<a href="#">Buy now</a>
30	<a href="#">9538005600</a> Nut, hexagon (663)	<a href="#">Buy now</a>
31	<a href="#">62Y2437401</a> Pin	<a href="#">Buy now</a>
32	<a href="#">9321024M79</a> O-ring	<a href="#">Buy now</a>
33	<a href="#">9709506030</a> Bolt(jf7)	<a href="#">Buy now</a>
36	<a href="#">62Y2810000</a> Tool kit FOR CANADA	<a href="#">Buy now</a>

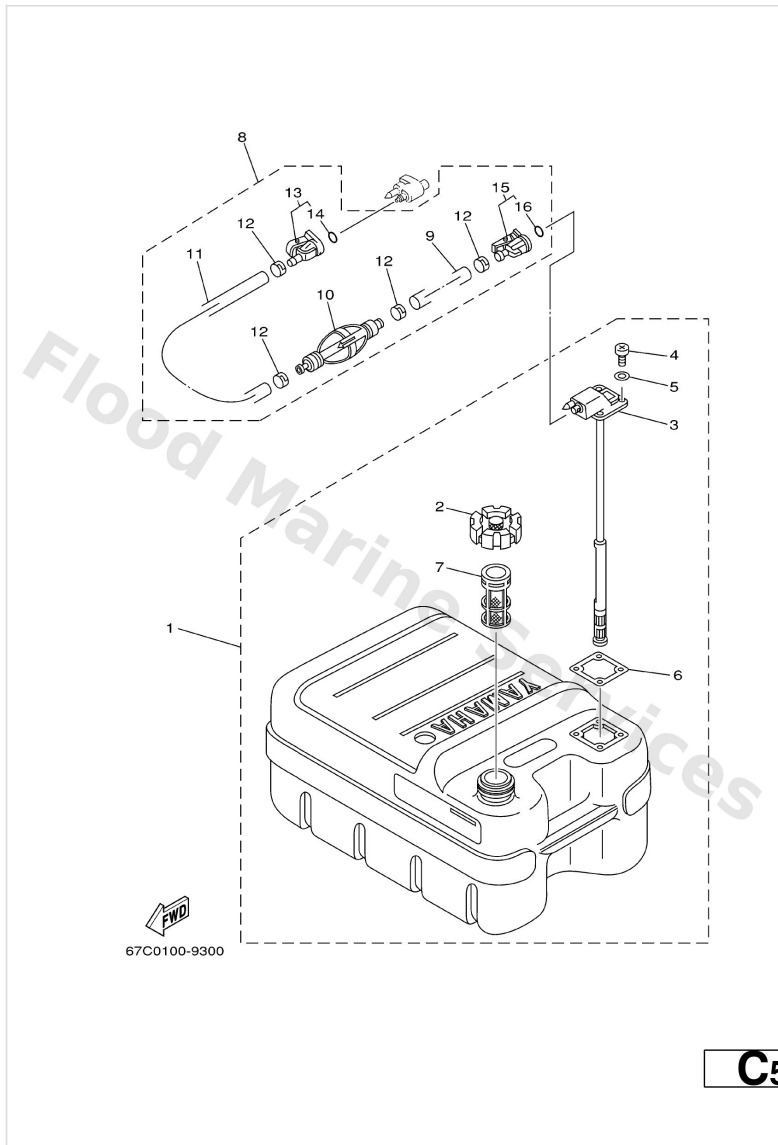
# Fuel 2



Ref	Part	
1	<a href="#">6Y12430653</a> Fuel pipe comp. 1 AP FOR USA,CANADA	<a href="#">Buy now</a>
2	<a href="#">9044511M06</a> Hose (I3000)	<a href="#">Buy now</a>
3	<a href="#">6Y12436052</a> Primer pump assembly	<a href="#">Buy now</a>
4	<a href="#">9044511M05</a> Hose (I1000)	<a href="#">Buy now</a>
5	<a href="#">6502435151</a> Band 1	<a href="#">Buy now</a>
6	<a href="#">6G12430503</a> Fuel pipe joint comp. 2	<a href="#">Buy now</a>
7	<a href="#">9321008287</a> O-ring (655)	<a href="#">Buy now</a>
8	<a href="#">6Y12430504</a> Fuel pipe joint comp. 2	<a href="#">Buy now</a>

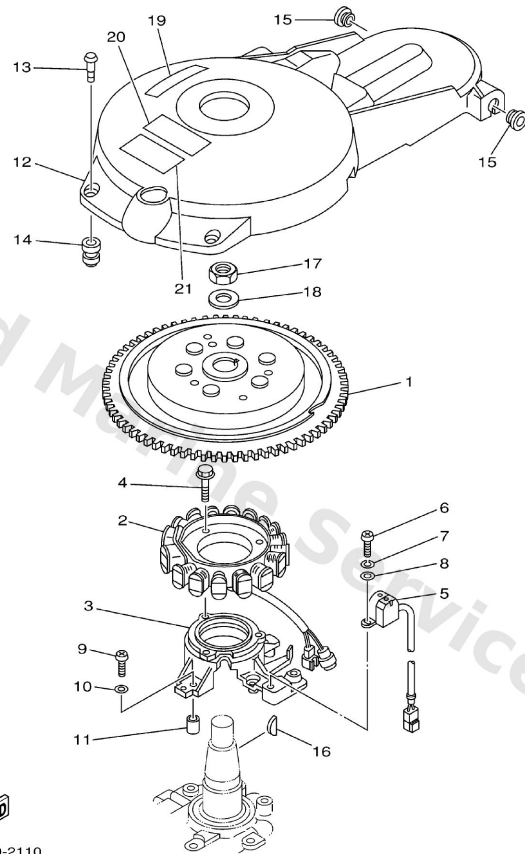


# Fuel Tank



Ref	Part	
1	<a href="#">6YJ2420110</a> Fuel Tank assembly (24L) AP FOR OCEANIA	<a href="#">Buy now</a>
2	<a href="#">6YJ2461001</a> Cap assembly	<a href="#">Buy now</a>
3	<a href="#">6Y12426012</a> Fuel meter assembly WITH INDICATOR	<a href="#">Buy now</a>
4	<a href="#">9858605016</a> Screw, pan head	<a href="#">Buy now</a>
5	<a href="#">6Y12432900</a> Seal	<a href="#">Buy now</a>
6	<a href="#">6Y12426800</a> Gasket, fuel meter	<a href="#">Buy now</a>
7	<a href="#">6YJ2416700</a> Strainer	<a href="#">Buy now</a>
8	<a href="#">61J2430602</a> Fuel pipe comp. 1 AP FOR OCEANIA	<a href="#">Buy now</a>
9	<a href="#">9044511M06</a> Hose (I3000)	<a href="#">Buy now</a>
10	<a href="#">61J2436000</a> Primer pump assembly	<a href="#">Buy now</a>
11	<a href="#">9044511M05</a> Hose (I1000)	<a href="#">Buy now</a>
12	<a href="#">6502435151</a> Band 1	<a href="#">Buy now</a>
13	<a href="#">6G12430503</a> Fuel pipe joint comp. 2	<a href="#">Buy now</a>
14	<a href="#">9321008287</a> O-ring (655)	<a href="#">Buy now</a>
15	<a href="#">6Y12430504</a> Fuel pipe joint comp. 2	<a href="#">Buy now</a>

# Generator

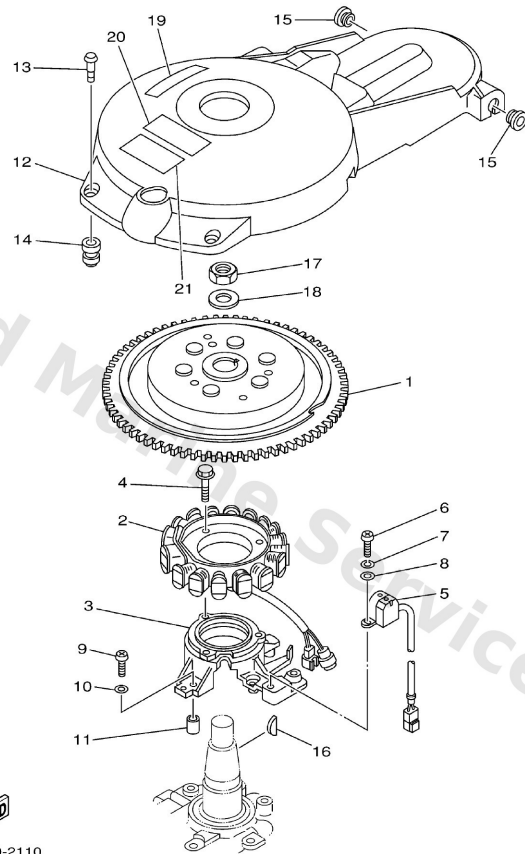


FWD  
62Y1100-2110

C5

Ref	Part	
1	<a href="#">64J8555000</a> Rotor assembly	<a href="#">Buy now</a>
2	<a href="#">64J8551000</a> Stator assembly	<a href="#">Buy now</a>
3	<a href="#">62Y855610094</a> Base, magneto	<a href="#">Buy now</a>
4	<a href="#">9502306025</a> Bolt, flange(4kg)	<a href="#">Buy now</a>
5	<a href="#">62Y8558000</a> Coil, pulser	<a href="#">Buy now</a>
6	<a href="#">9788005012</a> Screw,pan head (646)	<a href="#">Buy now</a>
7	<a href="#">9299005100</a> Ybs67-5 washer, spring	<a href="#">Buy now</a>
8	<a href="#">9299005600</a> Washer, plain (646)	<a href="#">Buy now</a>
9	<a href="#">9788006025</a> Screw, pan head(6b0)	<a href="#">Buy now</a>
10	<a href="#">9299006600</a> Washer, plain (646)	<a href="#">Buy now</a>
11	<a href="#">9953008012</a> Pin, dowel(6g8)	<a href="#">Buy now</a>
12	<a href="#">62Y8133711</a> Cover, flywheel	<a href="#">Buy now</a>
13	<a href="#">6K78133801</a> Stay	<a href="#">Buy now</a>
14	<a href="#">6638231701</a> Damper, ignition coil	<a href="#">Buy now</a>
15	<a href="#">9048012072</a> Grommet(53y)	<a href="#">Buy now</a>

# Generator

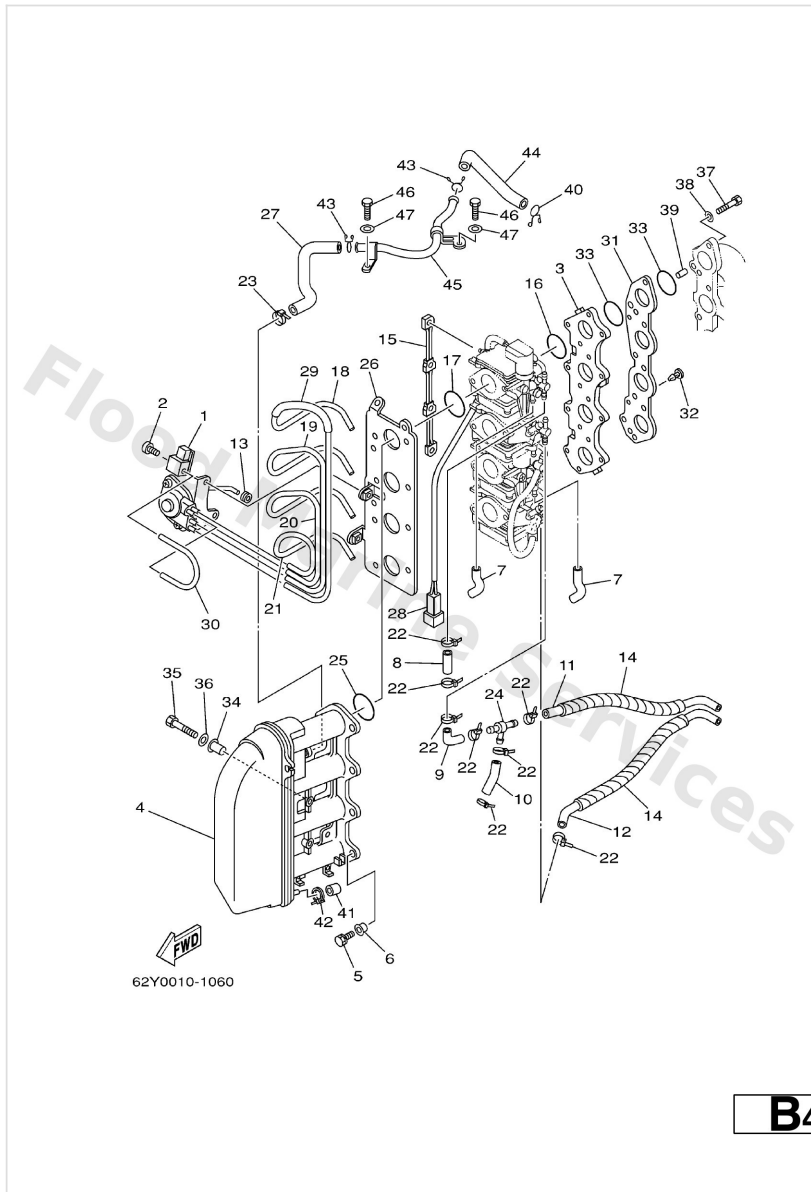


  
62Y1100-2110

**C5**

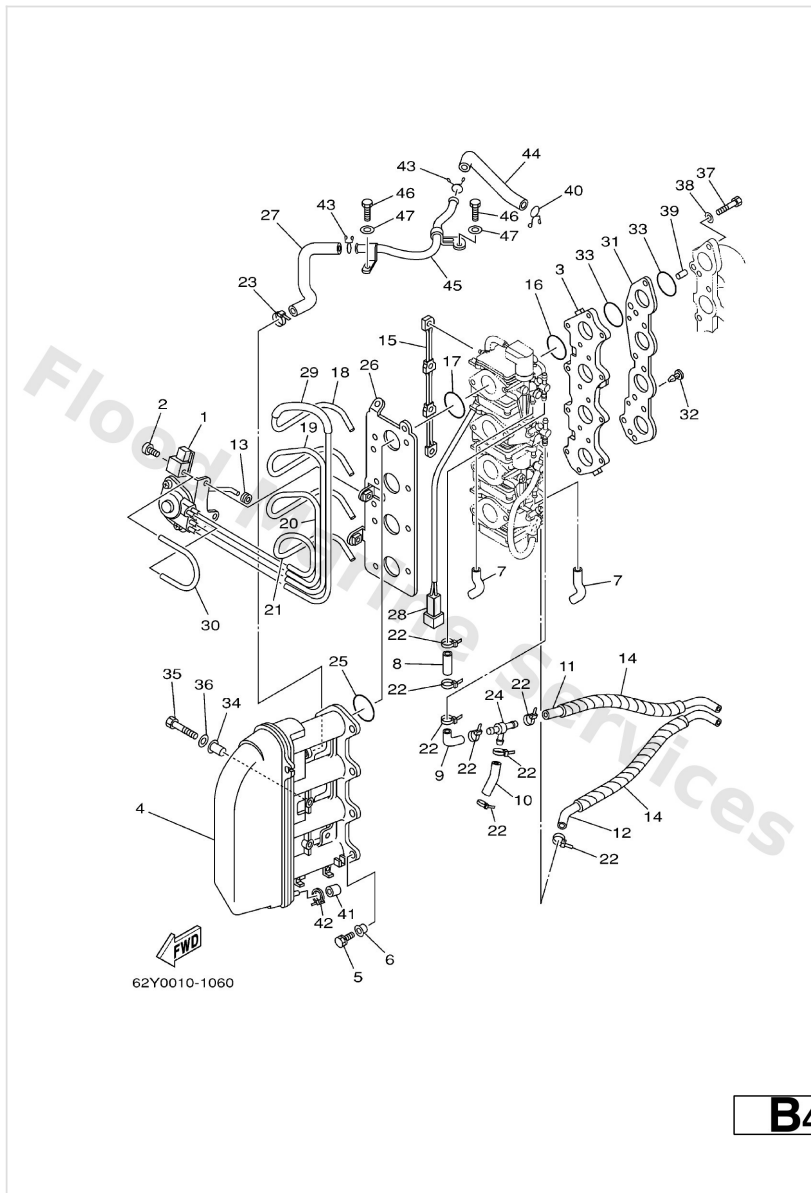
Ref	Part	
16	<a href="#">6H41154500</a> Key, woodruff	<a href="#">Buy now</a>
17	<a href="#">9017020137</a> Nut, hexagon(663)	<a href="#">Buy now</a>
18	<a href="#">9020121M18</a> Washer, plate (663)	<a href="#">Buy now</a>
19	<a href="#">62Y1343740</a> Mark, Caution FOR USA,OCEANIA	<a href="#">Buy now</a>
19	<a href="#">62Y1343750</a> Mark, Caution FOR CANADA	<a href="#">Buy now</a>
20	<a href="#">6A18362541</a> Mark 5	<a href="#">Buy now</a>
21	<a href="#">6A18362551</a> Mark 5 FOR CANADA	<a href="#">Buy now</a>

# Intake



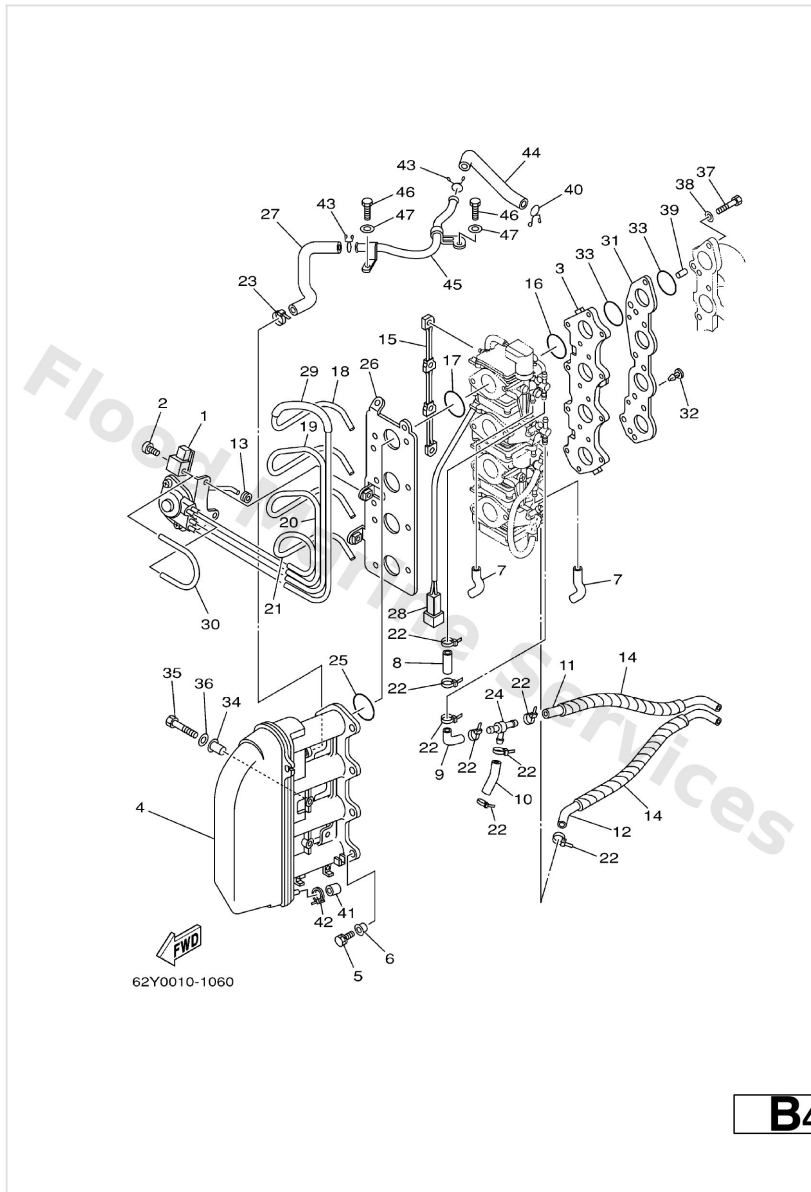
Ref	Part	
1	<a href="#">62Y1436930</a> Diaphragm assembly 2	<a href="#">Buy now</a>
2	<a href="#">6501432701</a> Screw	<a href="#">Buy now</a>
3	<a href="#">62Y1358630</a> Joint, carburetor 1	<a href="#">Buy now</a>
4	<a href="#">62Y1444000</a> Silencer assembly, intake	<a href="#">Buy now</a>
5	<a href="#">9759506590</a> Bolt(62y)	<a href="#">Buy now</a>
6	<a href="#">9038706M70</a> Collar (6h5)	<a href="#">Buy now</a>
7	<a href="#">62Y2431200</a> Pipe, fuel 1	<a href="#">Buy now</a>
8	<a href="#">62Y2431330</a> Pipe 3	<a href="#">Buy now</a>
9	<a href="#">62Y2431340</a> Pipe 3	<a href="#">Buy now</a>
10	<a href="#">62Y2431350</a> Pipe 3	<a href="#">Buy now</a>
11	<a href="#">62Y2431361</a> Pipe 3	<a href="#">Buy now</a>
12	<a href="#">62Y2431370</a> Pipe 3	<a href="#">Buy now</a>
13	<a href="#">62Y4126230</a> Joint, choke lever	<a href="#">Buy now</a>
14	<a href="#">62Y2431380</a> Pipe 3	<a href="#">Buy now</a>
15	<a href="#">64J1458500</a> Rod, choke	<a href="#">Buy now</a>

# Intake



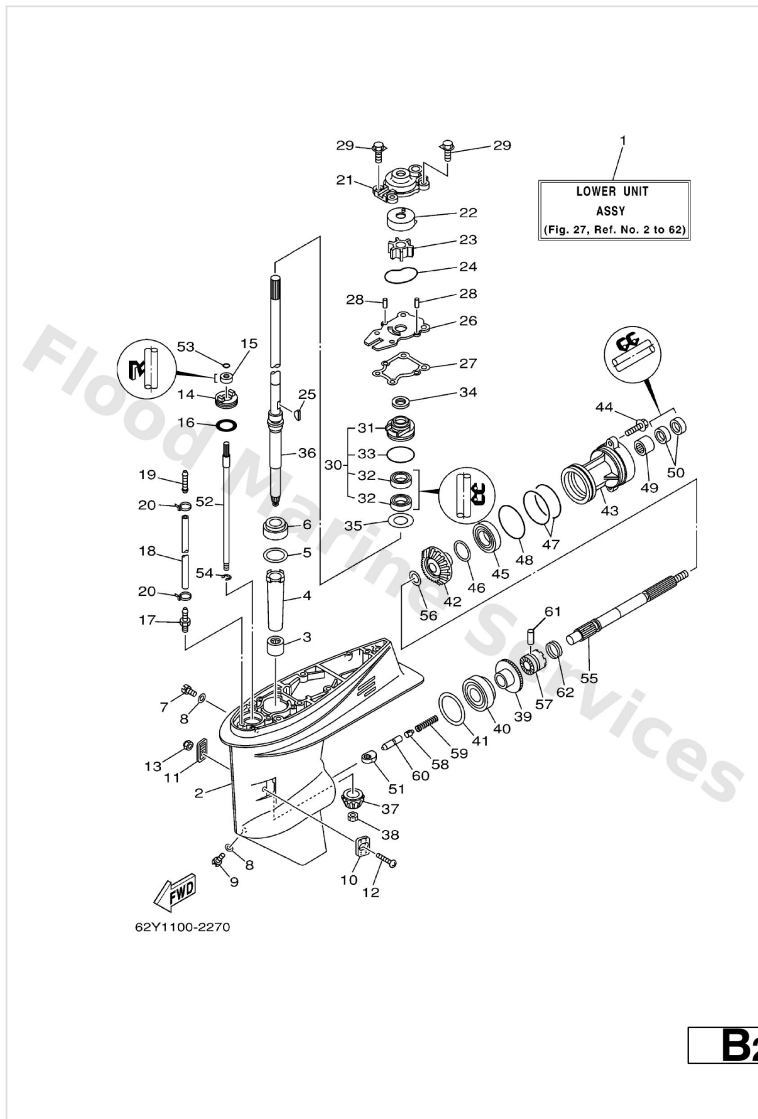
Ref	Part	
16	<a href="#">9321030MH4</a> O-ring(62y)	<a href="#">Buy now</a>
17	<a href="#">9321035M86</a> O-ring(6I2)	<a href="#">Buy now</a>
18	<a href="#">64J1434901</a> Pipe	<a href="#">Buy now</a>
19	<a href="#">64J1434911</a> Pipe	<a href="#">Buy now</a>
20	<a href="#">64J1434921</a> Pipe	<a href="#">Buy now</a>
21	<a href="#">64J1434931</a> Pipe	<a href="#">Buy now</a>
22	<a href="#">9046511M10</a> Clamp	<a href="#">Buy now</a>
23	<a href="#">9046513M36</a> Clamp(6h4)	<a href="#">Buy now</a>
24	<a href="#">62Y2437800</a> Pipe, joint 4	<a href="#">Buy now</a>
25	<a href="#">9321038MH3</a> O-ring(62y)	<a href="#">Buy now</a>
26	<a href="#">62Y1429130</a> Bracket 1	<a href="#">Buy now</a>
27	<a href="#">62Y1532B00</a> Pipe, breather	<a href="#">Buy now</a>
28	<a href="#">62Y8250900</a> Wire, sub lead	<a href="#">Buy now</a>
29	<a href="#">64J1434940</a> Pipe	<a href="#">Buy now</a>
30	<a href="#">64J1434950</a> Pipe	<a href="#">Buy now</a>

# Intake



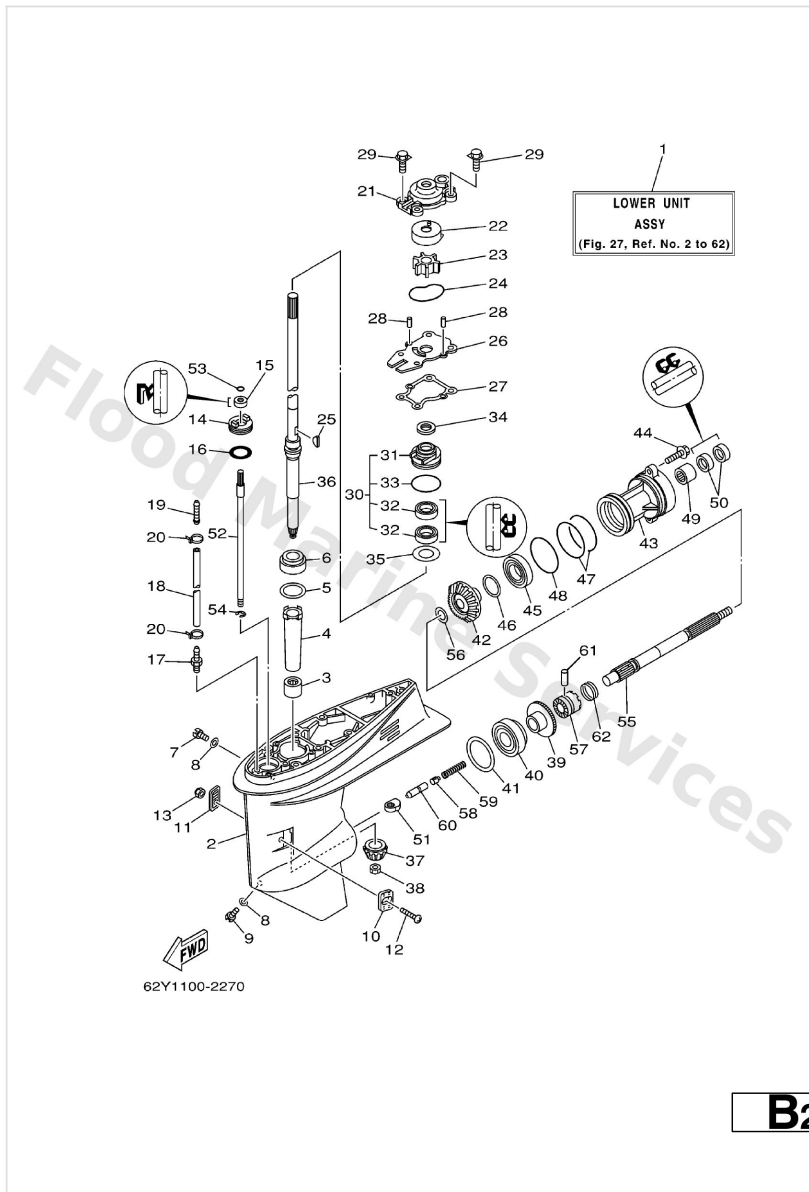
Ref	Part	
31	<a href="#">62Y1427100</a> Insulator	<a href="#">Buy now</a>
32	<a href="#">9033804M17</a> Plug(62y)	<a href="#">Buy now</a>
34	<a href="#">9038706M15</a> Collar(6g8)	<a href="#">Buy now</a>
35	<a href="#">9709506030</a> Bolt(jf7)	<a href="#">Buy now</a>
36	<a href="#">9299506600</a> Washer, plain (646)	<a href="#">Buy now</a>
37	<a href="#">9709506025</a> Bolt	<a href="#">Buy now</a>
39	<a href="#">9360816M16</a> Pin, dowel(6t4)	<a href="#">Buy now</a>
40	<a href="#">9046715M14</a> Clip(62y)	<a href="#">Buy now</a>
41	<a href="#">62Y1344800</a> Cap	<a href="#">Buy now</a>
44	<a href="#">62Y1531A00</a> Hose, breather 1	<a href="#">Buy now</a>
45	<a href="#">62Y1537310</a> Pipe, breather	<a href="#">Buy now</a>
46	<a href="#">9709506016</a> Bolt, hexagon deep recess	<a href="#">Buy now</a>

# Lower Casing. Drive 1



Ref	Part	
3	<a href="#">9331532224</a> Brg,cyl-cal roller 42.2g nk	<a href="#">Buy now</a>
4	<a href="#">6H44553600</a> Sleeve, drive shaft	<a href="#">Buy now</a>
5	<a href="#">663455870110</a> Shim (t:0.10mm) UR	<a href="#">Buy now</a>
5	<a href="#">663455870112</a> Shim (t:0.12mm) UR	<a href="#">Buy now</a>
5	<a href="#">663455870115</a> Shim (t:0.15mm) UR	<a href="#">Buy now</a>
5	<a href="#">663455870118</a> Shim (t:0.18mm) UR	<a href="#">Buy now</a>
5	<a href="#">663455870130</a> Shim (t:0.30mm) UR	<a href="#">Buy now</a>
5	<a href="#">663455870140</a> Shim (t:0.40mm) UR	<a href="#">Buy now</a>
5	<a href="#">663455870150</a> Shim (t:0.50mm) UR	<a href="#">Buy now</a>
6	<a href="#">9333200001</a> Brg, tapered roller (409)	<a href="#">Buy now</a>
7	<a href="#">9034008M04</a> Plug, straight screw	<a href="#">Buy now</a>
8	<a href="#">9043008020</a> Gasket	<a href="#">Buy now</a>
9	<a href="#">6884534100</a> Plug, drain	<a href="#">Buy now</a>
10	<a href="#">63D4521400</a> Cover, water inlet	<a href="#">Buy now</a>
11	<a href="#">63D4521500</a> Cover, water inlet	<a href="#">Buy now</a>

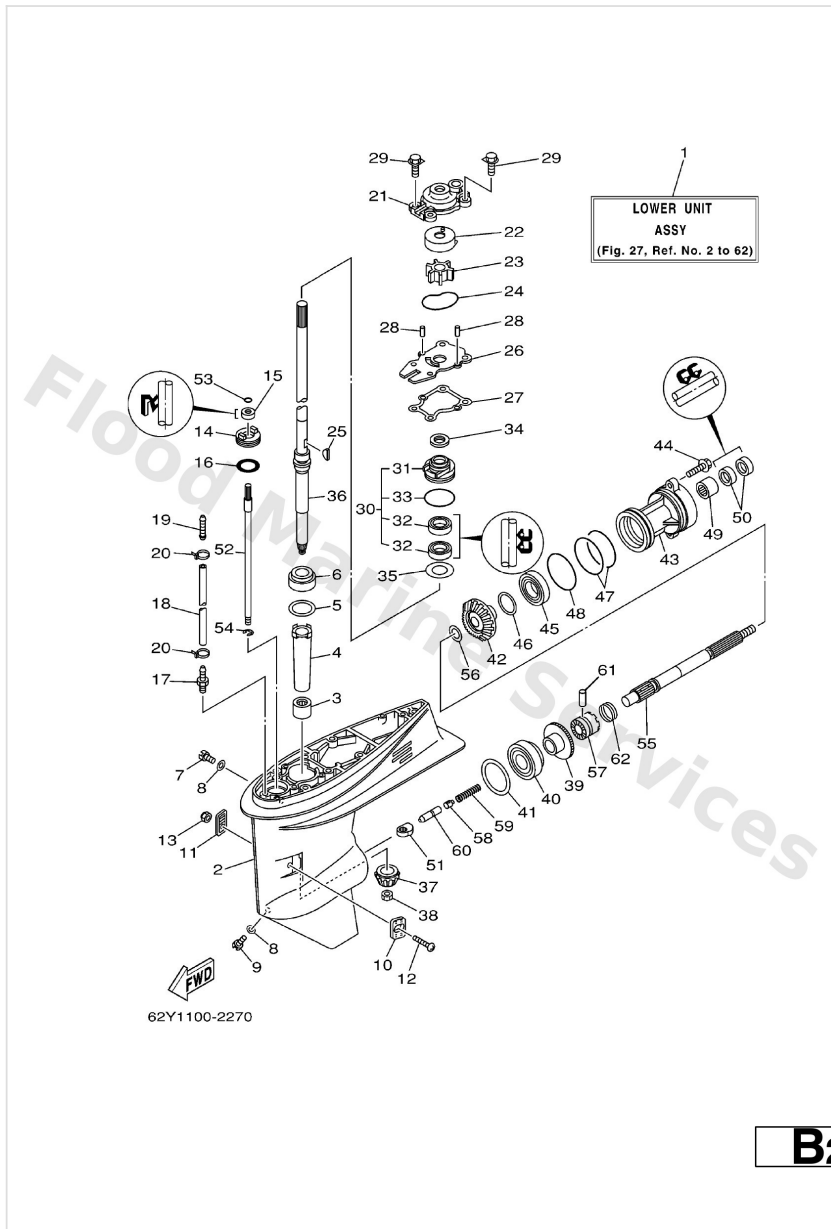
# Lower Casing. Drive 1



Ref	Part	
12	<a href="#">9014205M06</a> Screw, countersunk	<a href="#">Buy now</a>
13	<a href="#">9538005600</a> Nut, hexagon (663)	<a href="#">Buy now</a>
14	<a href="#">63D4532100</a> Plate	<a href="#">Buy now</a>
15	<a href="#">9310609014</a> Oil seal	<a href="#">Buy now</a>
16	<a href="#">9321033MG4</a> O-ring	<a href="#">Buy now</a>
17	<a href="#">6E54537800</a> Nipple, hose	<a href="#">Buy now</a>
18	<a href="#">9044507M31</a> Hose (I200) L	<a href="#">Buy now</a>
19	<a href="#">6E58355810</a> End, nipple	<a href="#">Buy now</a>
20	<a href="#">9046511M10</a> Clamp	<a href="#">Buy now</a>
21	<a href="#">63D4431100</a> Housing, water pump	<a href="#">Buy now</a>
22	<a href="#">63D4432200</a> Insert, cartridge	<a href="#">Buy now</a>
23	<a href="#">6H34435200</a> Impellar	<a href="#">Buy now</a>
24	<a href="#">9321059MG7</a> O-ring	<a href="#">Buy now</a>
25	<a href="#">9028003024</a> Key, woodruff(662)	<a href="#">Buy now</a>
26	<a href="#">63D4432300</a> Outer plate, cartridge	<a href="#">Buy now</a>

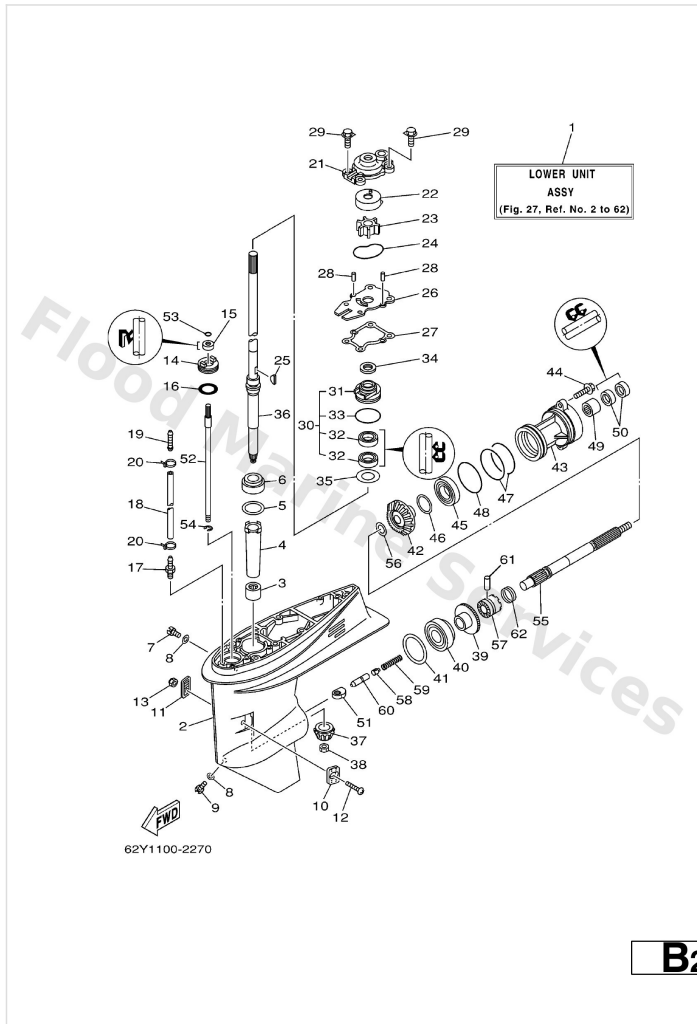


# Lower Casing. Drive 1



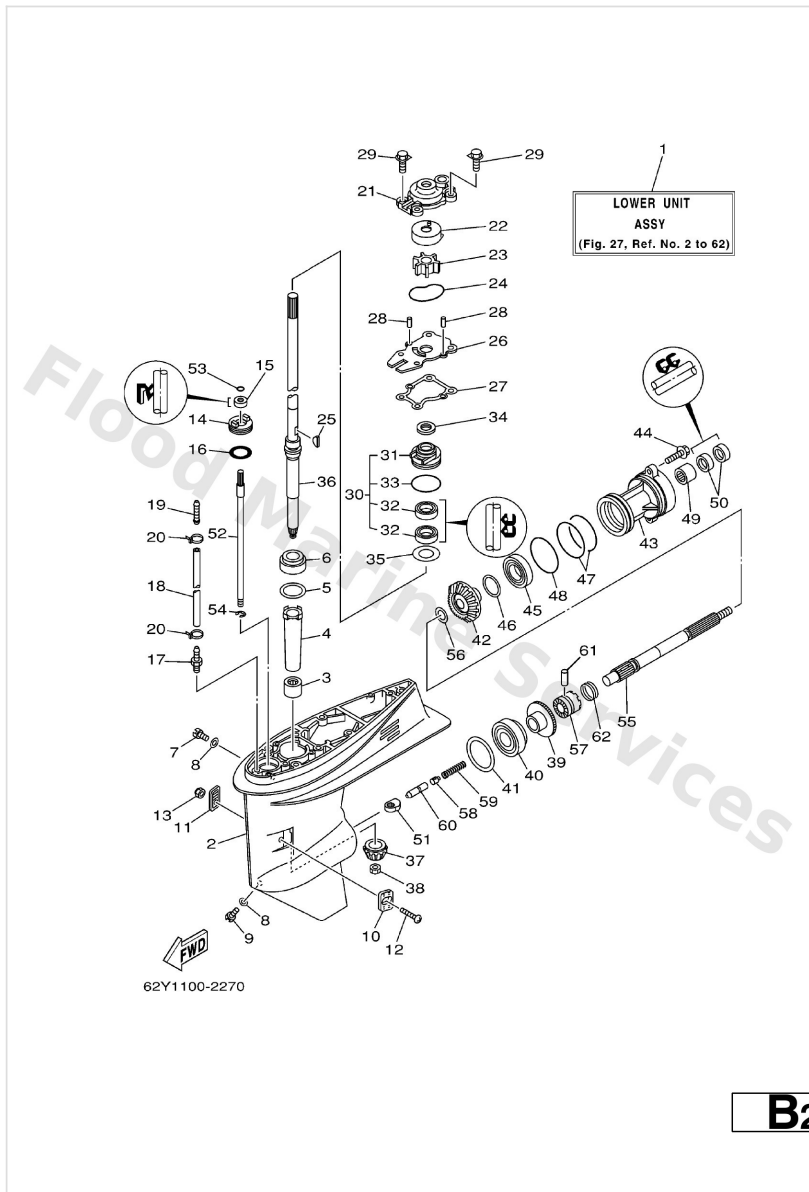
Ref	Part	
27	<a href="#">63D4431600</a> Gasket, water pump	<a href="#">Buy now</a>
28	<a href="#">9360408062</a> Pin,dowel (626)	<a href="#">Buy now</a>
29	<a href="#">9011908M15</a> Bolt, with washer(62w)	<a href="#">Buy now</a>
30	<a href="#">63DW443400</a> Water pump housing assembly	<a href="#">Buy now</a>
31	<a href="#">63D4434100</a> Housing, water pump set	<a href="#">Buy now</a>
32	<a href="#">9310125M57</a> Oil seal	<a href="#">Buy now</a>
33	<a href="#">9321048MG8</a> O-ring	<a href="#">Buy now</a>
34	<a href="#">63D4534400</a> Cover, oil seal	<a href="#">Buy now</a>
35	<a href="#">9020127M00</a> Washer, plate(62x)	<a href="#">Buy now</a>
36	<a href="#">62Y4550130</a> Drive shaft comp. (l,d:18mm) L	<a href="#">Buy now</a>
37	<a href="#">6H44555101</a> Pinion	<a href="#">Buy now</a>
38	<a href="#">9017012138</a> Nut hexagon(663)	<a href="#">Buy now</a>
39	<a href="#">6H44556001</a> Gear	<a href="#">Buy now</a>
40	<a href="#">9333200003</a> Brg,cyl-cal roller 318g ky	<a href="#">Buy now</a>
41	<a href="#">663455670110</a> Shim (t:0.10mm) UR	<a href="#">Buy now</a>

# Lower Casing. Drive 1



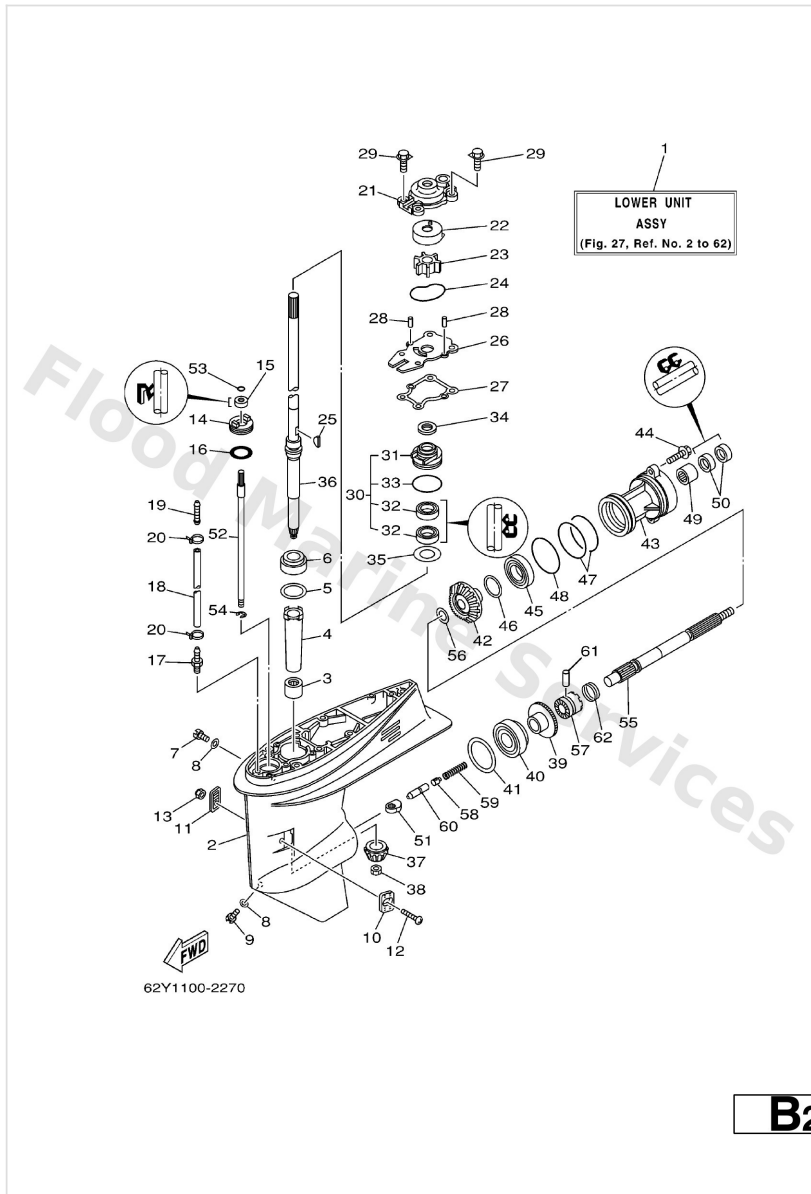
Ref	Part	
41	<a href="#">663455670112</a> Shim (t:0.12mm) UR	<a href="#">Buy now</a>
41	<a href="#">663455670115</a> Shim (t:0.15mm) UR	<a href="#">Buy now</a>
41	<a href="#">663455670118</a> Shim (t:0.18mm) UR	<a href="#">Buy now</a>
41	<a href="#">663455670130</a> Shim (t:0.30mm) UR	<a href="#">Buy now</a>
41	<a href="#">663455670140</a> Shim (t:0.40mm) UR	<a href="#">Buy now</a>
41	<a href="#">663455670150</a> Shim (t:0.50mm) UR	<a href="#">Buy now</a>
42	<a href="#">62Y4557100</a> Gear	<a href="#">Buy now</a>
44	<a href="#">9010508M61</a> Bolt, washer based(62x)	<a href="#">Buy now</a>
45	<a href="#">93306001U1</a> Bearing(62x)	<a href="#">Buy now</a>
46	<a href="#">63D455770010</a> Shim (t:0.10mm) UR	<a href="#">Buy now</a>
46	<a href="#">63D455770012</a> Shim (t:0.12mm) UR	<a href="#">Buy now</a>
46	<a href="#">63D455770015</a> Shim (t:0.15mm) UR	<a href="#">Buy now</a>
46	<a href="#">63D455770018</a> Shim (t:0.18mm) UR	<a href="#">Buy now</a>
46	<a href="#">63D455770030</a> Shim (t:0.30mm) UR	<a href="#">Buy now</a>
46	<a href="#">63D455770040</a> Shim (t:0.40mm) UR	<a href="#">Buy now</a>

# Lower Casing. Drive 1



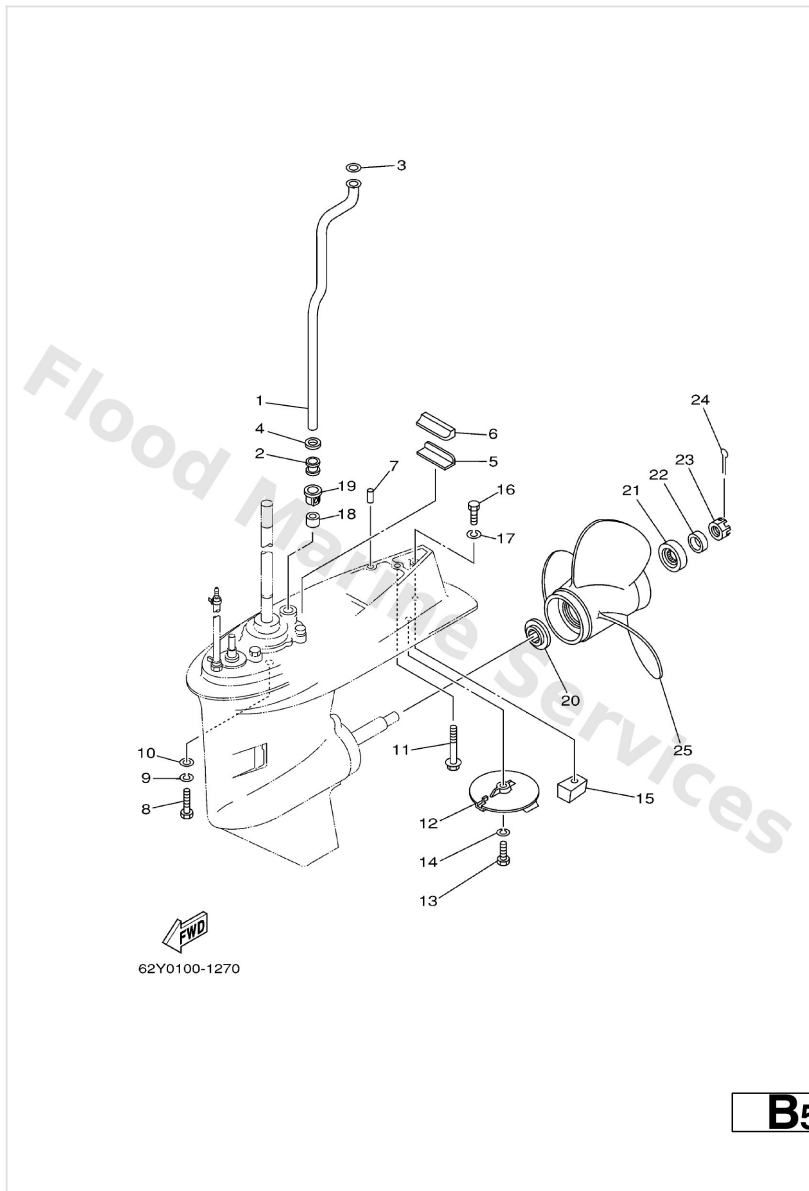
Ref	Part	
46	<a href="#">63D455770050</a> Shim (t:0.50mm) UR	<a href="#">Buy now</a>
47	<a href="#">9321074MG5</a> O-ring (xea)	<a href="#">Buy now</a>
48	<a href="#">9321069MG6</a> O-ring	<a href="#">Buy now</a>
49	<a href="#">9331722204</a> Brg,cyl-cal roller 25.5g nt	<a href="#">Buy now</a>
50	<a href="#">9310122M00</a> Oil seal (22x36x6-663)	<a href="#">Buy now</a>
51	<a href="#">62Y4415100</a> Cam, shift	<a href="#">Buy now</a>
52	<a href="#">63D4414400</a> Rod, shift	<a href="#">Buy now</a>
53	<a href="#">9321007003</a> O-ring (11m)	<a href="#">Buy now</a>
54	<a href="#">9343008006</a> Circlip(2r6)	<a href="#">Buy now</a>
55	<a href="#">63D4561100</a> Shaft, propeller	<a href="#">Buy now</a>
56	<a href="#">9020122429</a> Washer, plate(663)	<a href="#">Buy now</a>
57	<a href="#">62Y4563100</a> Clutch, dog	<a href="#">Buy now</a>
58	<a href="#">6634563400</a> Slide, shift	<a href="#">Buy now</a>
59	<a href="#">9050118001</a> Spring, compression	<a href="#">Buy now</a>
60	<a href="#">63D4563500</a> Plunger, shift	<a href="#">Buy now</a>

# Lower Casing. Drive 1



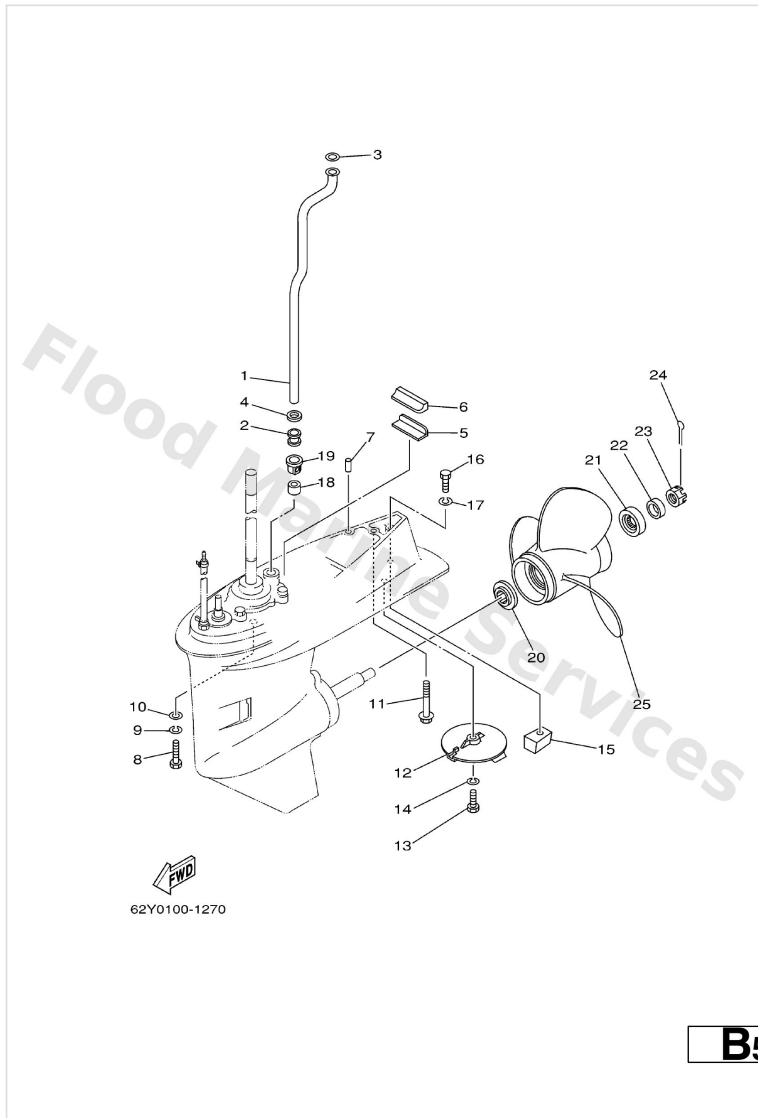
Ref	Part	
61	<a href="#">9025006023</a> Pin, strait (663)	<a href="#">Buy now</a>
62	<a href="#">67C4563300</a> Ring, cross pin	<a href="#">Buy now</a>

## Lower Casing. Drive 2



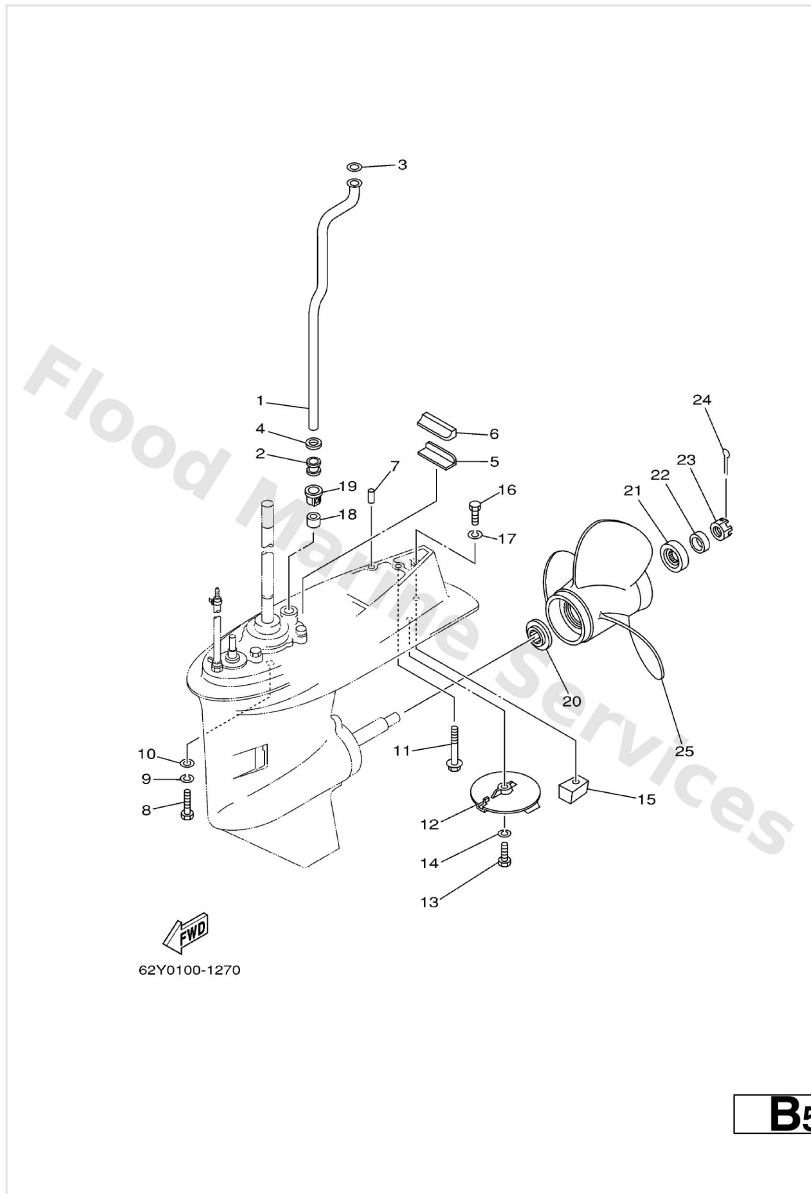
Ref	Part	
1	<a href="#">62Y4436100</a> Tube, water L	<a href="#">Buy now</a>
2	<a href="#">6634436700</a> Damper, water seal 3	<a href="#">Buy now</a>
3	<a href="#">9020212060</a> Washer, plate(663)	<a href="#">Buy now</a>
4	<a href="#">9043012072</a> Gasket	<a href="#">Buy now</a>
5	<a href="#">663453760094</a> Guide, seal damper	<a href="#">Buy now</a>
6	<a href="#">63D4537500</a> Damper, seal	<a href="#">Buy now</a>
7	<a href="#">9360612019</a> Pin, dowel (614)	<a href="#">Buy now</a>
8	<a href="#">9707510040</a> Bolt, hexagon deep recess	<a href="#">Buy now</a>
9	<a href="#">9299510100</a> Ybs67-10 washer, spring	<a href="#">Buy now</a>
10	<a href="#">9299510600</a> Washer, plate	<a href="#">Buy now</a>
11	<a href="#">9011908M84</a> Bolt, with washer	<a href="#">Buy now</a>
12	<a href="#">67C4537100</a> Tab-trim	<a href="#">Buy now</a>
13	<a href="#">9709508025</a> Bolt (62g)	<a href="#">Buy now</a>
14	<a href="#">9299508100</a> Ybs67-8 washer, spring	<a href="#">Buy now</a>
15	<a href="#">67C4525100</a> Anode	<a href="#">Buy now</a>

# Lower Casing. Drive 2



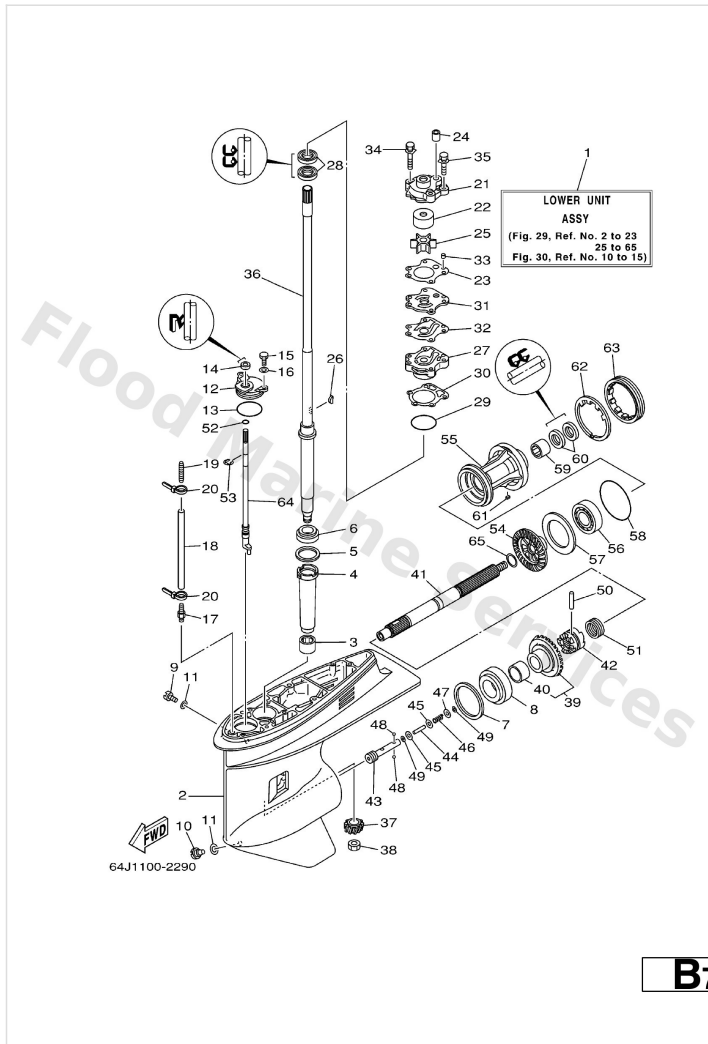
Ref	Part	
16	<a href="#">9709508035</a> Bolt(70w)	<a href="#">Buy now</a>
18	<a href="#">6634436600</a> Damper, water seal 2	<a href="#">Buy now</a>
19	<a href="#">63D4431200</a> Cover, water pump housing	<a href="#">Buy now</a>
20	<a href="#">6634598702</a> Spacer	<a href="#">Buy now</a>
21	<a href="#">66T4599700</a> Spacer 2	<a href="#">Buy now</a>
22	<a href="#">9038922M01</a> Bush	<a href="#">Buy now</a>
23	<a href="#">9017116011</a> Nut, castle (663)	<a href="#">Buy now</a>
24	<a href="#">9149030025</a> Pin cotter	<a href="#">Buy now</a>
25	<a href="#">6634594101EL</a> Propeller (3x10-3/4"x17"-g) UR	<a href="#">Buy now</a>
25	<a href="#">6634594502EL</a> Propeller (3x11-1/8"x13"-g) UR	<a href="#">Buy now</a>
25	<a href="#">6634594702EL</a> Prop assembly (3x11-5/8"x11"-g) UR	<a href="#">Buy now</a>
25	<a href="#">663459300098</a> Propeller (3x10-1/4"x14"-g) UR	<a href="#">Buy now</a>
25	<a href="#">6634594901EL</a> Propeller (3x10-3/4"x16"-g) UR	<a href="#">Buy now</a>
25	<a href="#">6634595202EL</a> Propeller (3x11-3/8"x12"-g) UR	<a href="#">Buy now</a>
25	<a href="#">6634595601EL</a> Propeller (3x12-1/4"x9"-g) UR	<a href="#">Buy now</a>

## Lower Casing. Drive 2



Ref	Part	
25	<a href="#">6634595801EL</a> Propeller (3x11-1/4"x14"-g) UR	<a href="#">Buy now</a>
25	<a href="#">663459706098</a> Propeller (3x11-3/4"x12"-g) UR	<a href="#">Buy now</a>
25	<a href="#">663459726098</a> Propeller (3x12"x11"-g) UR	<a href="#">Buy now</a>
25	<a href="#">663459740298</a> Propeller (3x10-5/8"x13"-g) UR	<a href="#">Buy now</a>
25	<a href="#">663459746098</a> Propeller (3x11-1/2"x13"-g) UR	<a href="#">Buy now</a>
25	<a href="#">663459760098</a> Propeller (3x10-1/4"x15"-g) UR	<a href="#">Buy now</a>
25	<a href="#">663459780098</a> Propeller (3x10-1/4"x16"-g) UR	<a href="#">Buy now</a>
25	<a href="#">697459700098</a> Propeller (ss 3x11-1/4"x14"-g) UR	<a href="#">Buy now</a>

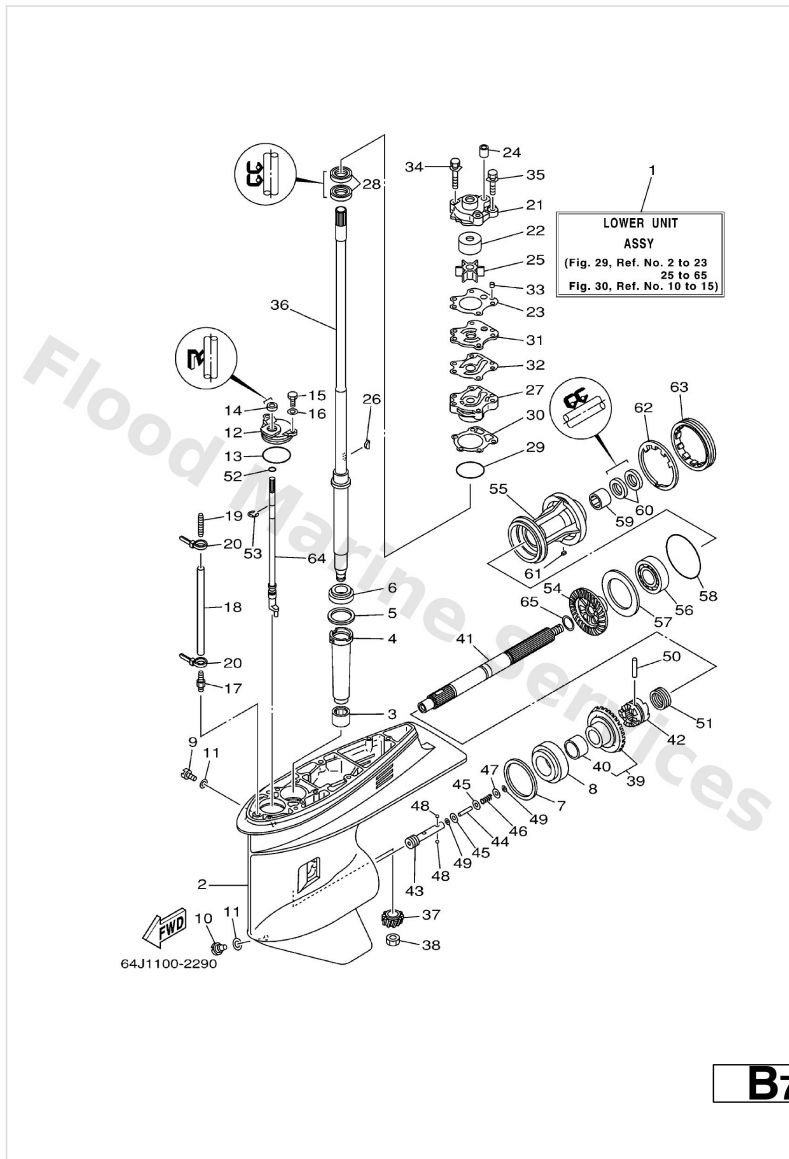
# Lower Casing. Drive 3



Ref	Part	
1	<a href="#">64J45300304D</a> Lower unit assembly L	<a href="#">Buy now</a>
1	<a href="#">64J45300404D</a> Lower Unit assembly X	<a href="#">Buy now</a>
2	<a href="#">67F45301004D</a> Casing, lower	<a href="#">Buy now</a>
3	<a href="#">93315325W4</a> Bearing	<a href="#">Buy now</a>
4	<a href="#">6884553601</a> Sleeve, drive shaft	<a href="#">Buy now</a>
5	<a href="#">688455870110</a> Shim (t:0.10mm) UR	<a href="#">Buy now</a>
5	<a href="#">688455870112</a> Shim (t:0.12mm) UR	<a href="#">Buy now</a>
5	<a href="#">688455870115</a> Shim (t:0.15mm) UR	<a href="#">Buy now</a>
5	<a href="#">688455870118</a> Shim (t:0.18mm) UR	<a href="#">Buy now</a>
5	<a href="#">688455870130</a> Shim (t:0.30mm) UR	<a href="#">Buy now</a>
5	<a href="#">688455870140</a> Shim (t:0.40mm) UR	<a href="#">Buy now</a>
5	<a href="#">688455870150</a> Shim (t:0.50mm) UR	<a href="#">Buy now</a>
6	<a href="#">93332000U3</a> Brg,tapered roller 50mm (688)	<a href="#">Buy now</a>
7	<a href="#">688455670110</a> Shim (t:0.10mm) UR	<a href="#">Buy now</a>
7	<a href="#">688455670112</a> Shim (t:0.12mm) UR	<a href="#">Buy now</a>

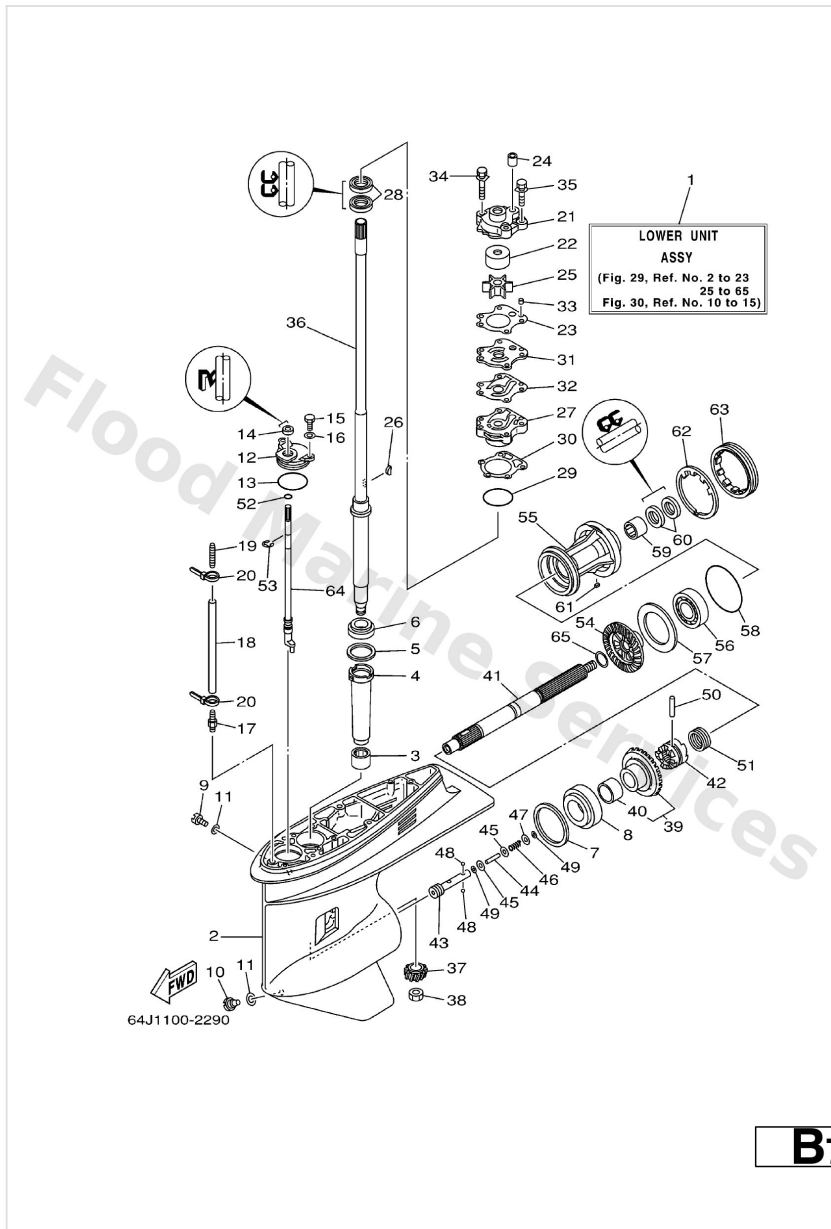


# Lower Casing. Drive 3



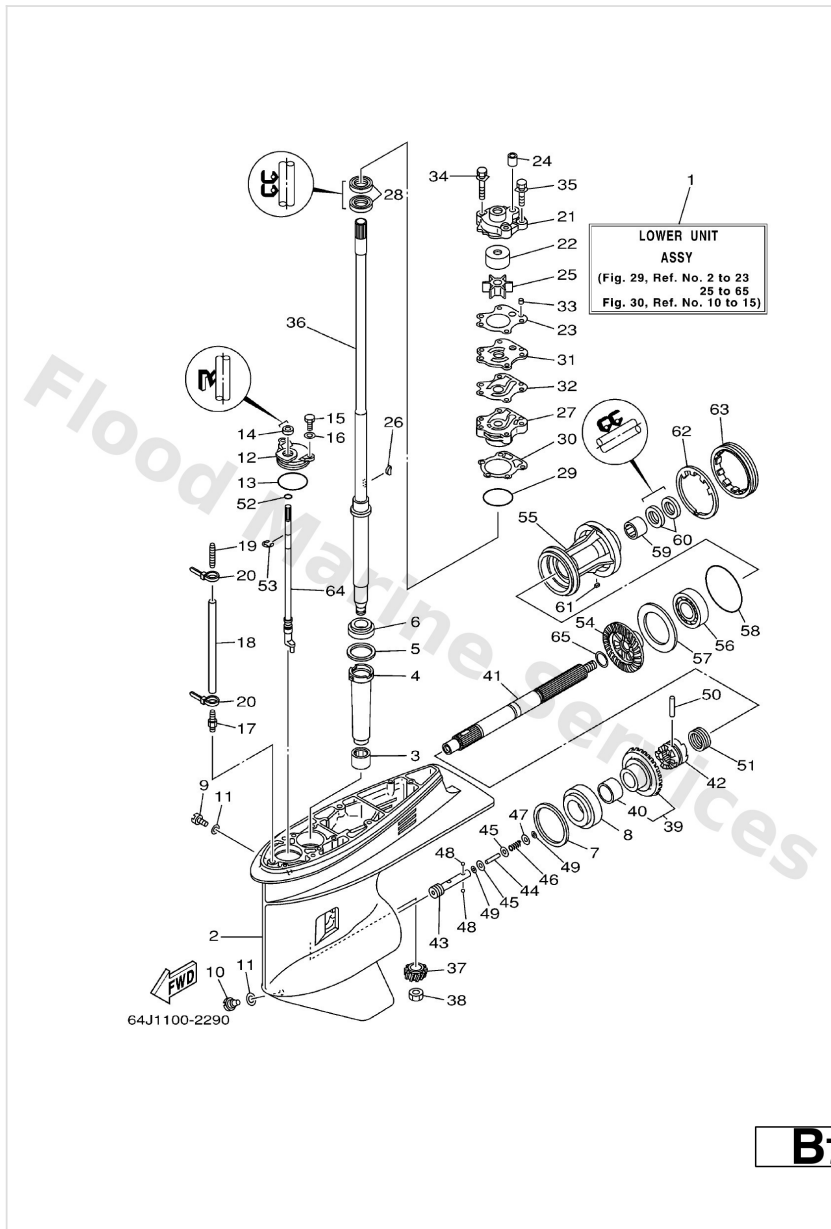
Ref	Part	
7	<a href="#">688455670115</a> Shim (t:0.15mm) UR	<a href="#">Buy now</a>
7	<a href="#">688455670118</a> Shim (t:0.18mm) UR	<a href="#">Buy now</a>
7	<a href="#">688455670130</a> Shim (t:0.30mm) UR	<a href="#">Buy now</a>
7	<a href="#">688455670140</a> Shim (t:0.40mm) UR	<a href="#">Buy now</a>
7	<a href="#">688455670150</a> Shim (t:0.50mm) UR	<a href="#">Buy now</a>
8	<a href="#">93332000UD</a> Bearing	<a href="#">Buy now</a>
9	<a href="#">9034008M04</a> Plug, straight screw	<a href="#">Buy now</a>
10	<a href="#">6884534100</a> Plug, drain	<a href="#">Buy now</a>
11	<a href="#">9043008020</a> Gasket	<a href="#">Buy now</a>
12	<a href="#">6884532100</a> Plate	<a href="#">Buy now</a>
13	<a href="#">9321049046</a> O-ring (620)	<a href="#">Buy now</a>
14	<a href="#">9310609014</a> Oil seal	<a href="#">Buy now</a>
15	<a href="#">9709506016</a> Bolt, hexagon deep recess	<a href="#">Buy now</a>
16	<a href="#">9299506600</a> Washer, plain (646)	<a href="#">Buy now</a>
17	<a href="#">6E54537800</a> Nipple, hose	<a href="#">Buy now</a>

# Lower Casing. Drive 3



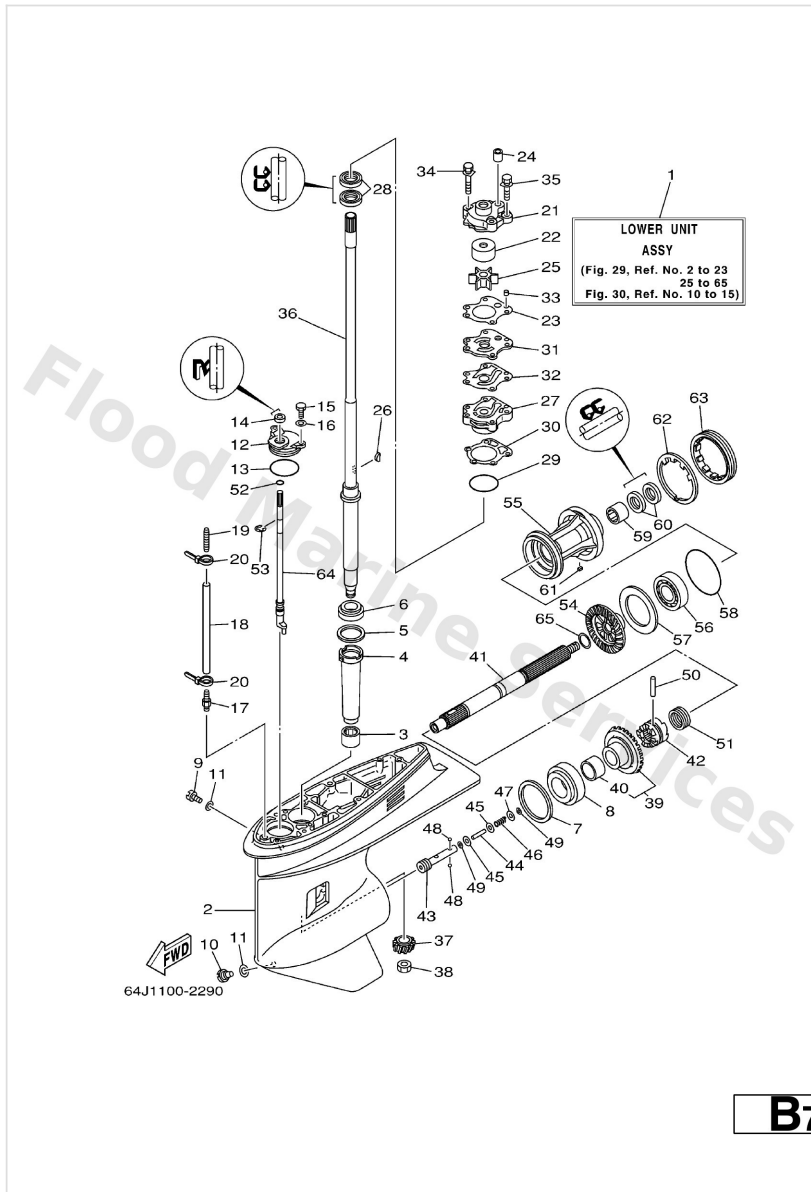
Ref	Part	
18	<a href="#">9044507M31</a> Hose (I200) L	<a href="#">Buy now</a>
18	<a href="#">9044507M38</a> Hose (I570) X	<a href="#">Buy now</a>
19	<a href="#">6E58355810</a> End, nipple	<a href="#">Buy now</a>
20	<a href="#">9046511M10</a> Clamp	<a href="#">Buy now</a>
21	<a href="#">6H34431100</a> Housing, water pump 1	<a href="#">Buy now</a>
22	<a href="#">6634432200</a> Insert, cartridge	<a href="#">Buy now</a>
23	<a href="#">6H344315A0</a> Gasket, water pump 1	<a href="#">Buy now</a>
24	<a href="#">6634436600</a> Damper, water seal 2	<a href="#">Buy now</a>
25	<a href="#">6H34435200</a> Impellar	<a href="#">Buy now</a>
26	<a href="#">9028003M03</a> Key, woodruff (697)	<a href="#">Buy now</a>
27	<a href="#">6H3443410094</a> Housing, water pump set	<a href="#">Buy now</a>
28	<a href="#">9310123070</a> Oil seal (663)	<a href="#">Buy now</a>
29	<a href="#">9321046044</a> O-ring	<a href="#">Buy now</a>
30	<a href="#">68844316A0</a> Gasket, water pump 2	<a href="#">Buy now</a>
31	<a href="#">6H34432300</a> Outer plate, cartridge	<a href="#">Buy now</a>

# Lower Casing. Drive 3



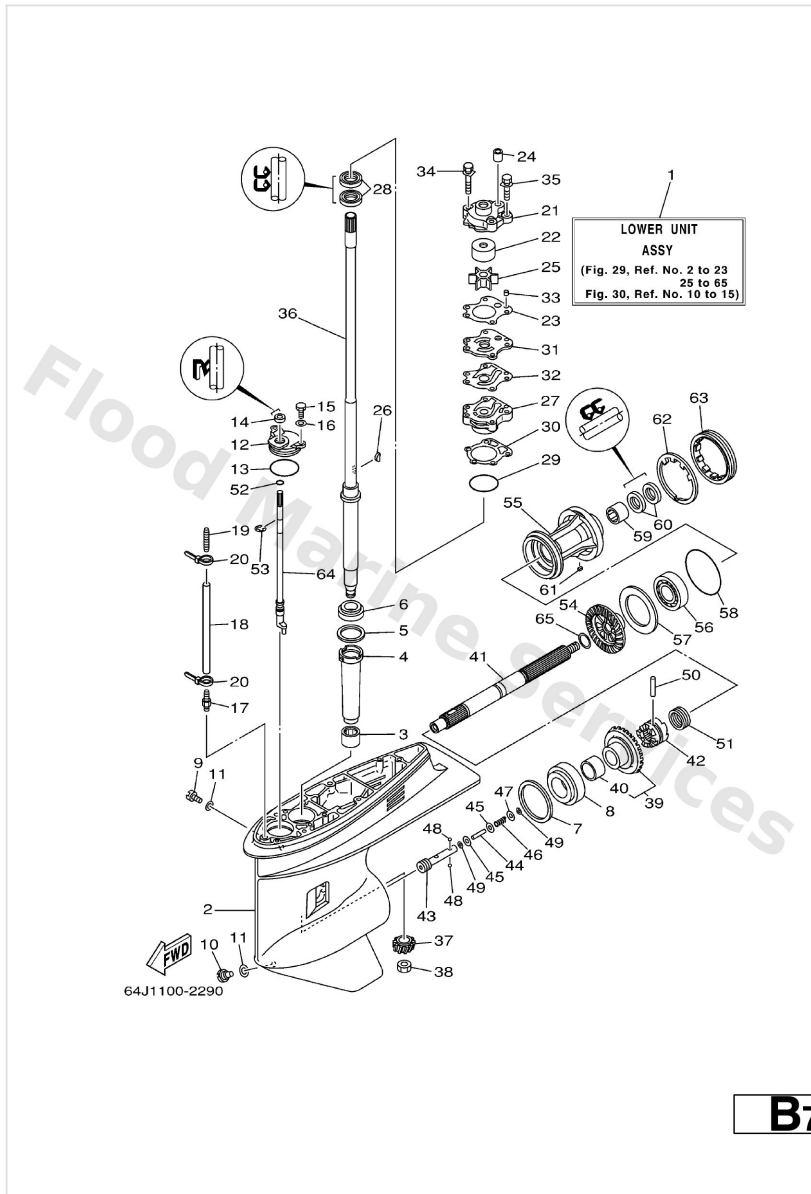
Ref	Part	
32	<a href="#">6H344324A0</a> Gasket,cartridge Out,plate	<a href="#">Buy now</a>
33	<a href="#">9360410M03</a> Pin, dowel (688)	<a href="#">Buy now</a>
34	<a href="#">9011908M33</a> Bolt, with washer(6b0)	<a href="#">Buy now</a>
35	<a href="#">9011908M14</a> Bolt, with washer	<a href="#">Buy now</a>
36	<a href="#">64J4550130</a> Drive shaft comp. (l, d: 18mm) L	<a href="#">Buy now</a>
36	<a href="#">64J4550140</a> Drive shaft comp. (x, d: 18mm) X	<a href="#">Buy now</a>
37	<a href="#">64J4555100</a> Pinion	<a href="#">Buy now</a>
38	<a href="#">9017016M01</a> Nut, hexagon (688)	<a href="#">Buy now</a>
39	<a href="#">64J4556000</a> Gear	<a href="#">Buy now</a>
40	<a href="#">93317322V0</a> Bearing	<a href="#">Buy now</a>
41	<a href="#">67F4561100</a> Shaft, propeller	<a href="#">Buy now</a>
42	<a href="#">67F4563100</a> Clutch, dog	<a href="#">Buy now</a>
43	<a href="#">67F4563400</a> Slide, shift	<a href="#">Buy now</a>
44	<a href="#">6H14566800</a> Shaft, free 1	<a href="#">Buy now</a>
45	<a href="#">6H14563500</a> Plunger, shift	<a href="#">Buy now</a>

# Lower Casing. Drive 3



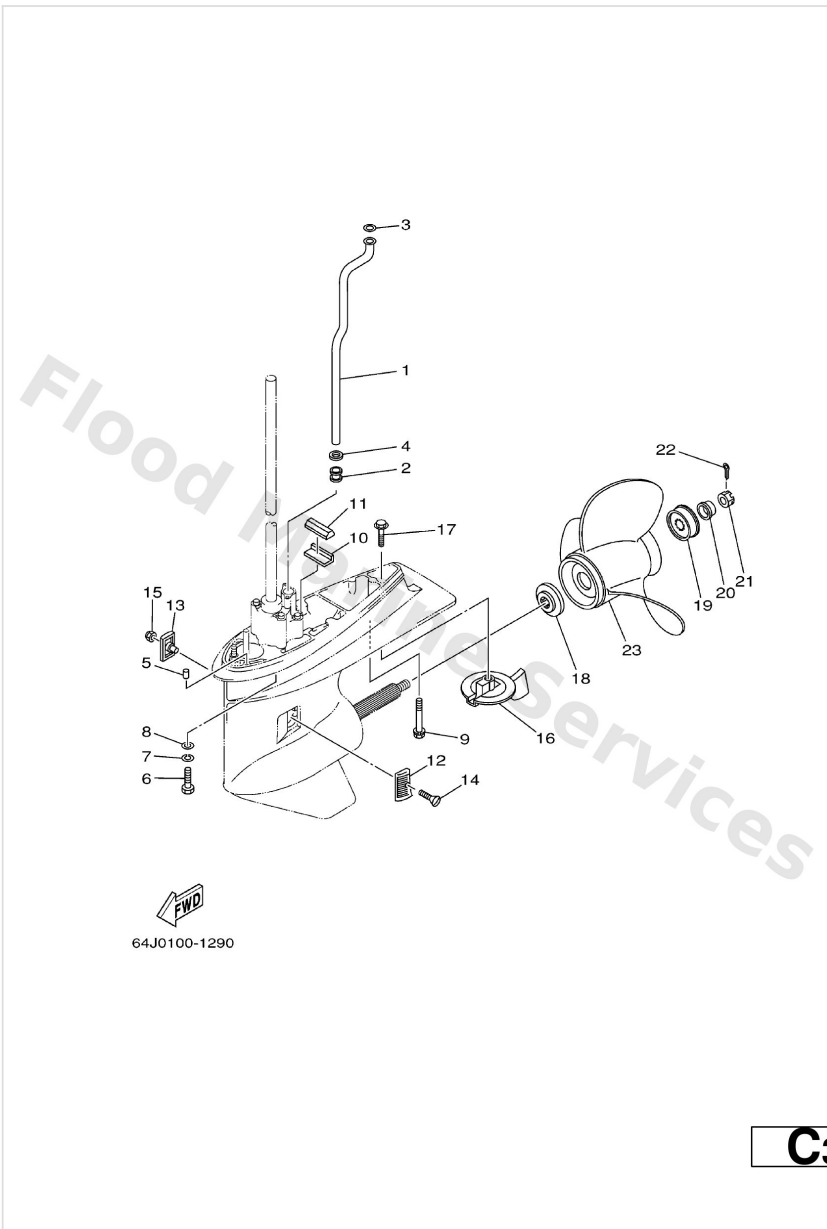
Ref	Part	
46	<a href="#">9050112M48</a> Spring (6h1)	<a href="#">Buy now</a>
47	<a href="#">9020103313</a> Washer, plate 8077743700	<a href="#">Buy now</a>
48	<a href="#">9350316003</a> Ball	<a href="#">Buy now</a>
49	<a href="#">9018302M03</a> Nut, spring (6h1)	<a href="#">Buy now</a>
50	<a href="#">9025007M02</a> Pin, straight (688)	<a href="#">Buy now</a>
51	<a href="#">6884563300</a> Ping, cross pin	<a href="#">Buy now</a>
52	<a href="#">9321007003</a> O-ring (11m)	<a href="#">Buy now</a>
53	<a href="#">9343008006</a> Circlip(2r6)	<a href="#">Buy now</a>
54	<a href="#">67F4557100</a> Gear	<a href="#">Buy now</a>
55	<a href="#">67F453310094</a> Housing, bearing	<a href="#">Buy now</a>
56	<a href="#">93306207U0</a> Brg,r-b 6207 72mm 280g (688)	<a href="#">Buy now</a>
57	<a href="#">67F4557600</a> Washer, thrust 2	<a href="#">Buy now</a>
58	<a href="#">9321086M39</a> O-ring (6e5)	<a href="#">Buy now</a>
59	<a href="#">93317325U0</a> Brg,needle	<a href="#">Buy now</a>
60	<a href="#">9310125M03</a> Oil seal	<a href="#">Buy now</a>

# Lower Casing. Drive 3



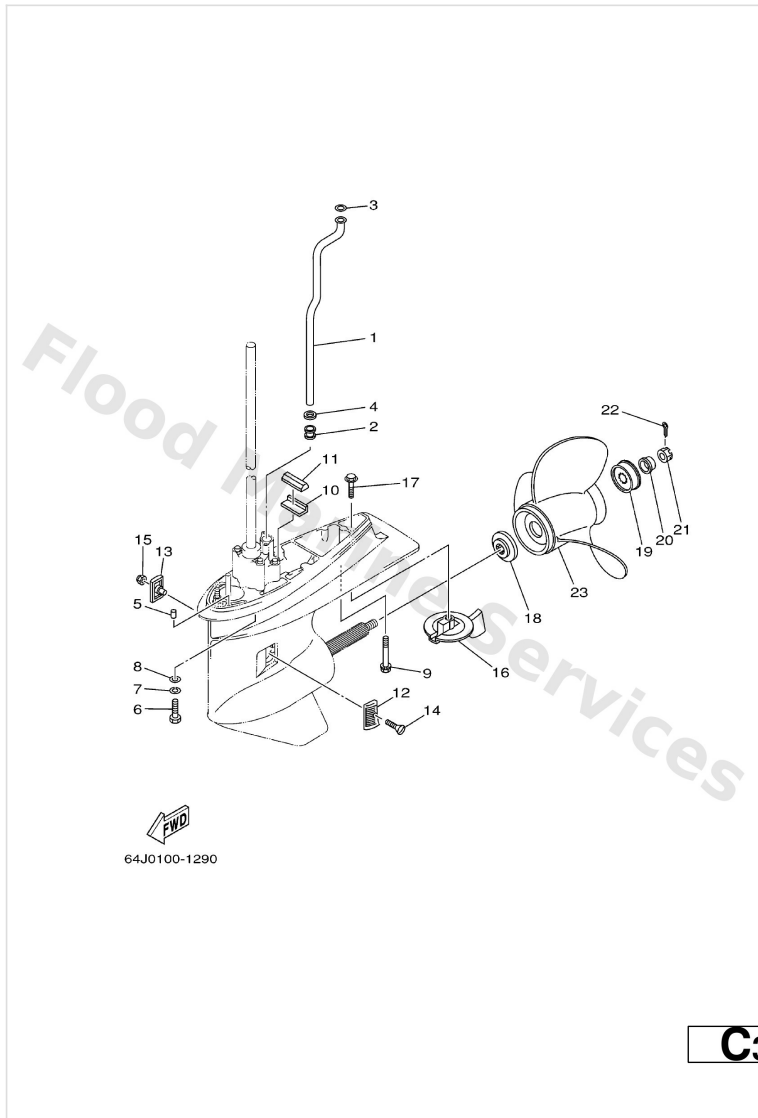
Ref	Part	
61	<a href="#">9028204010</a> Key, strait(663)	<a href="#">Buy now</a>
62	<a href="#">6884538302</a> Washer, claw	<a href="#">Buy now</a>
63	<a href="#">6884538402</a> Nut	<a href="#">Buy now</a>
64	<a href="#">64J4415000</a> Shift cam assembly	<a href="#">Buy now</a>
65	<a href="#">9020125M05</a> Washer, plate	<a href="#">Buy now</a>

# Lower Casing. Drive 4



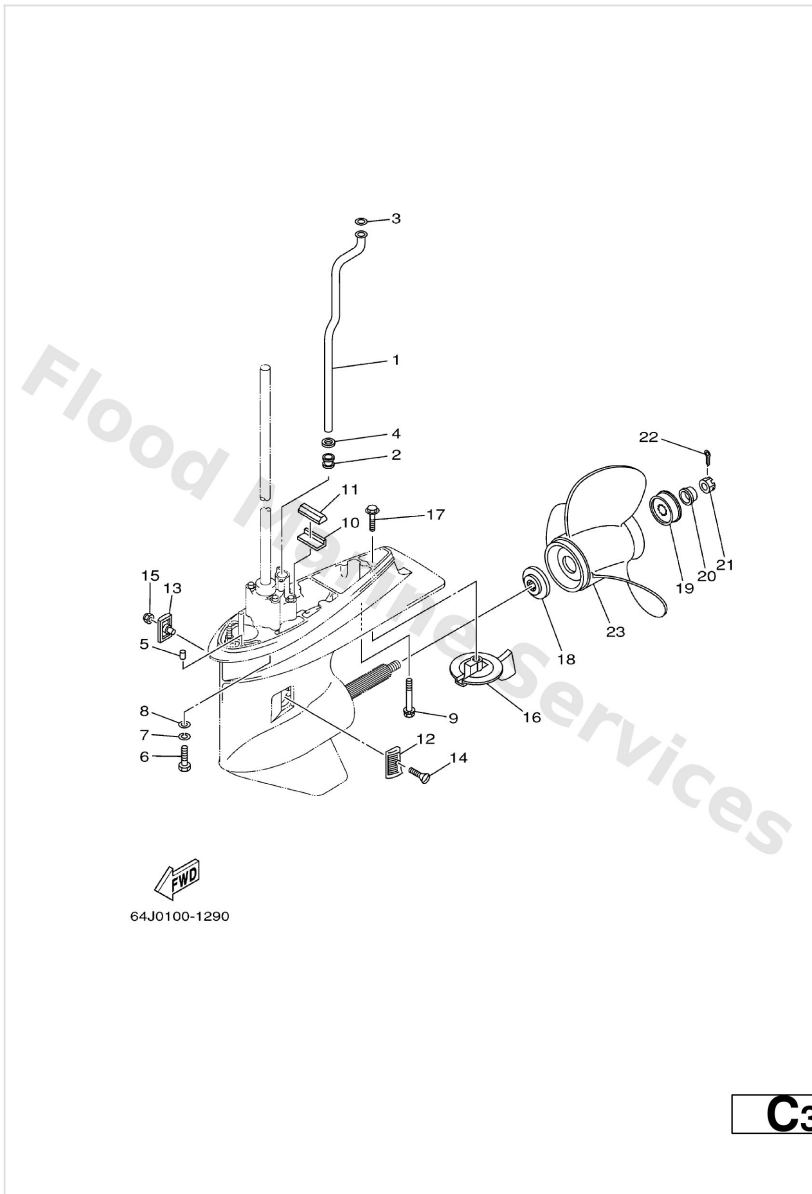
Ref	Part	
1	<a href="#">62Y4436100</a> Tube, water L	<a href="#">Buy now</a>
1	<a href="#">62Y4436120</a> Tube, water X	<a href="#">Buy now</a>
2	<a href="#">6634436700</a> Damper, water seal 3	<a href="#">Buy now</a>
3	<a href="#">9020212060</a> Washer, plate(663)	<a href="#">Buy now</a>
4	<a href="#">9043012072</a> Gasket	<a href="#">Buy now</a>
5	<a href="#">9360612019</a> Pin, dowel (614)	<a href="#">Buy now</a>
6	<a href="#">9707510040</a> Bolt, hexagon deep recess	<a href="#">Buy now</a>
7	<a href="#">9299510100</a> Ybs67-10 washer, spring	<a href="#">Buy now</a>
8	<a href="#">9299510600</a> Washer, plate	<a href="#">Buy now</a>
9	<a href="#">9011908M84</a> Bolt, with washer	<a href="#">Buy now</a>
10	<a href="#">663453760094</a> Guide, seal damper	<a href="#">Buy now</a>
11	<a href="#">6884537500</a> Damper, seal 2	<a href="#">Buy now</a>
12	<a href="#">6H14521400</a> Cover, water inlet	<a href="#">Buy now</a>
13	<a href="#">6H14521500</a> Cover, water inlet	<a href="#">Buy now</a>
14	<a href="#">9015105M00</a> Screw, countersunk(692)	<a href="#">Buy now</a>

# Lower Casing. Drive 4



Ref	Part	
15	<a href="#">9018505002</a> Nut nylon (sus)(ex4)	<a href="#">Buy now</a>
16	<a href="#">67F4537100</a> Tab-trim	<a href="#">Buy now</a>
17	<a href="#">9010510M67</a> Bolt, hexagon (663)	<a href="#">Buy now</a>
18	<a href="#">6884598701</a> Spacer	<a href="#">Buy now</a>
19	<a href="#">67F4599700</a> Spacer 2	<a href="#">Buy now</a>
20	<a href="#">9038925M00</a> Bush	<a href="#">Buy now</a>
21	<a href="#">9017116011</a> Nut, castle (663)	<a href="#">Buy now</a>
22	<a href="#">9149040025</a> Pin, cotter (663)	<a href="#">Buy now</a>
23	<a href="#">6E54594100EL</a> Propeller (3x13x19-k) UR	<a href="#">Buy now</a>
23	<a href="#">6E54594300EL</a> Propeller (3x12-5/8"x21"-k) UR	<a href="#">Buy now</a>
23	<a href="#">6E54594501EL</a> Propeller (3x13-1/4x17-k) UR	<a href="#">Buy now</a>
23	<a href="#">6E54594700EL</a> Propeller (3x13-1/2x15-k) UR	<a href="#">Buy now</a>
23	<a href="#">6E54594900EL</a> Propeller (3x13-5/8"x13"-k) UR	<a href="#">Buy now</a>
23	<a href="#">6E54595200EL</a> Propeller (3x13"x23"-k) UR	<a href="#">Buy now</a>
23	<a href="#">6E54595400EL</a> Propeller (3x14"x11"-k) UR	<a href="#">Buy now</a>

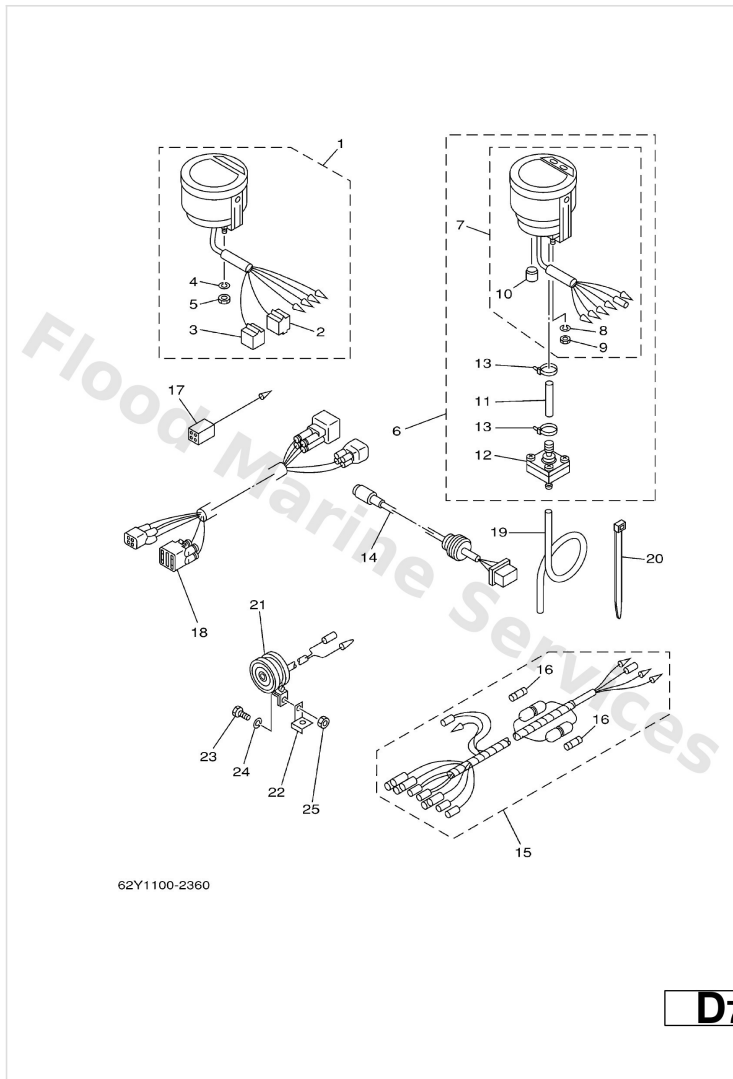
# Lower Casing. Drive 4



Ref	Part	
23	<a href="#">6E54595600EL</a> Propeller (3x13"x25"-k) UR	<a href="#">Buy now</a>

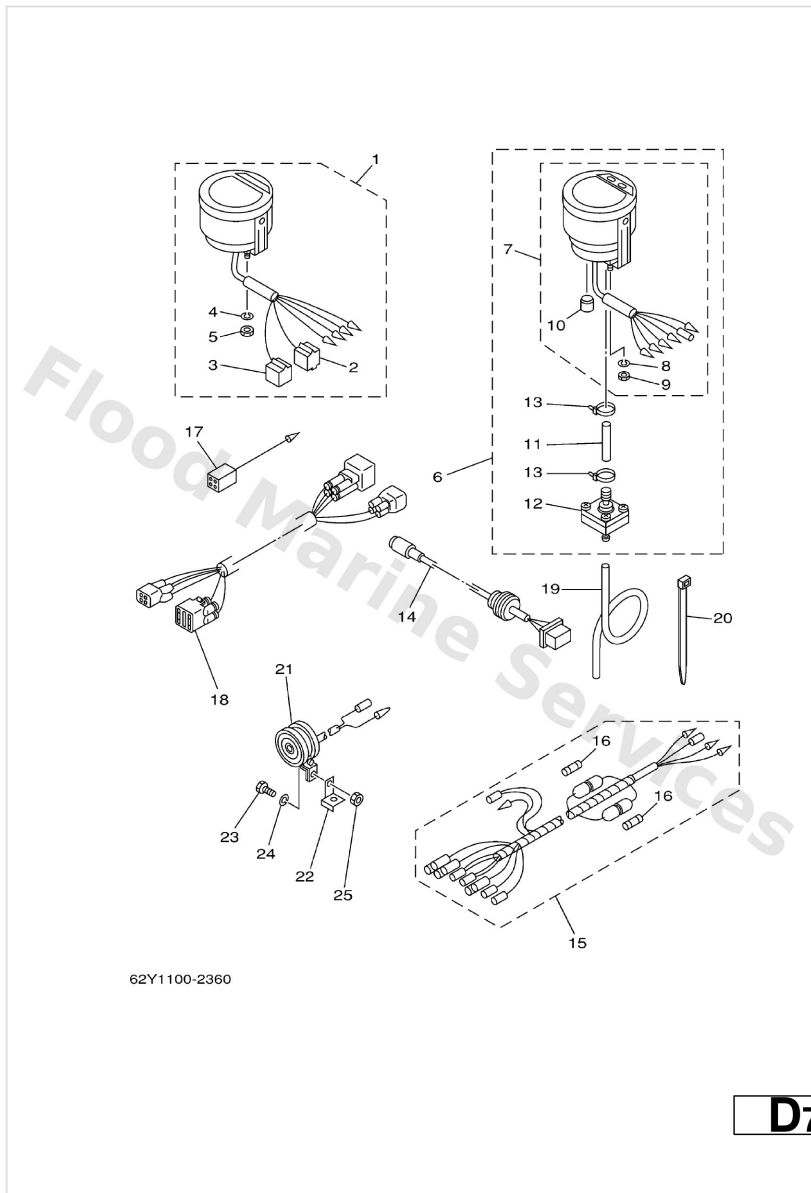


# Meter



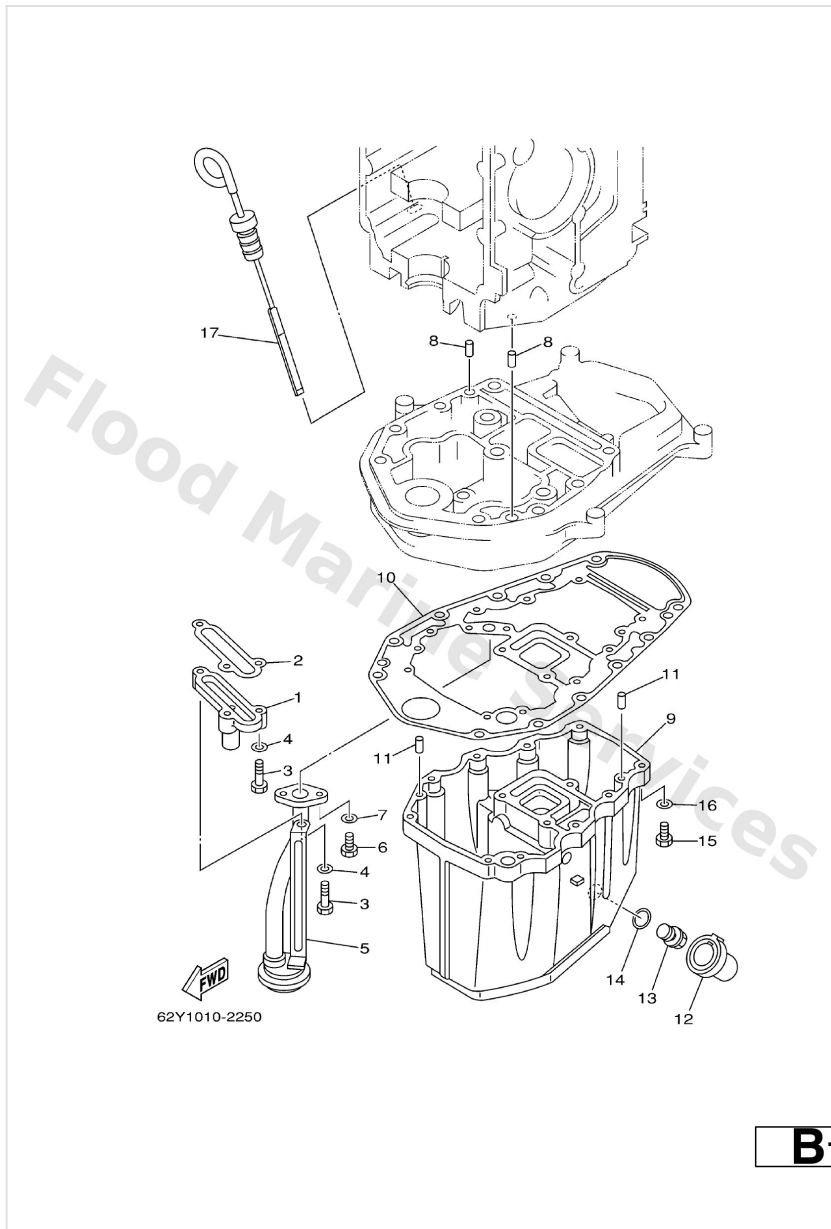
Ref	Part	
1	<a href="#">6Y58350T00</a> Digital tachometer assembly AP	<a href="#">Buy now</a>
2	<a href="#">9E45004433</a> Housing, connector (m-4-w) M-4-W	<a href="#">Buy now</a>
3	<a href="#">9E45004533</a> Housing, f-4-w(5pcs) F-4-W	<a href="#">Buy now</a>
4	<a href="#">9299004100</a> Ybs67-4 washer, spring	<a href="#">Buy now</a>
5	<a href="#">9538004600</a> Nut,hex	<a href="#">Buy now</a>
6	<a href="#">6Y58350055</a> Meter assembly AP FOR OCEANIA	<a href="#">Buy now</a>
7	<a href="#">6Y58357055</a> Speedometer assembly	<a href="#">Buy now</a>
10	<a href="#">6Y583533T2</a> Grommet	<a href="#">Buy now</a>
11	<a href="#">6Y58355731</a> Tube	<a href="#">Buy now</a>
12	<a href="#">6Y58372800</a> Connector assembly	<a href="#">Buy now</a>
20	<a href="#">9046511M10</a> Clamp AP FOR OCEANIA	<a href="#">Buy now</a>
14	<a href="#">6Y587122S0</a> Cord assembly 1 AP FOR OCEANIA	<a href="#">Buy now</a>
15	<a href="#">6H58355311</a> Wire, Lead AP FOR CANADA	<a href="#">Buy now</a>
15	<a href="#">6Y58355300</a> Wire, lead (l=2.5m) AP FOR CANADA	<a href="#">Buy now</a>
15	<a href="#">6Y583553M0</a> Wire, lead (l=2.5m) AP FOR OCEANIA	<a href="#">Buy now</a>

# Meter



Ref	Part	
16	<a href="#">1E68215100</a> Fuse (10a) FOR 6Y5-83553-MO	<a href="#">Buy now</a>
17	<a href="#">6Y58211700</a> Wire, lead AP FOR OCEANIA	<a href="#">Buy now</a>
18	<a href="#">68F8255370</a> Extension, wire lead (7m) AP FOR CANADA	<a href="#">Buy now</a>
18	<a href="#">68F8255380</a> Extension, wire lead (8m) AP FOR OCEANIA	<a href="#">Buy now</a>
19	<a href="#">6Y58355710</a> Tube (8m) AP FOR OCEANIA	<a href="#">Buy now</a>
21	<a href="#">6888338311</a> Buzzer AP FOR CANADA	<a href="#">Buy now</a>
22	<a href="#">6H58338600</a> Buzzer Stay AP FOR CANADA	<a href="#">Buy now</a>
23	<a href="#">9701305010</a> Bolt, hexagon AP FOR CANADA	<a href="#">Buy now</a>
24	<a href="#">9299005100</a> Ybs67-5 washer, spring AP FOR CANADA	<a href="#">Buy now</a>
25	<a href="#">9530305600</a> Nut, hexagon (663) AP FOR CANADA	<a href="#">Buy now</a>

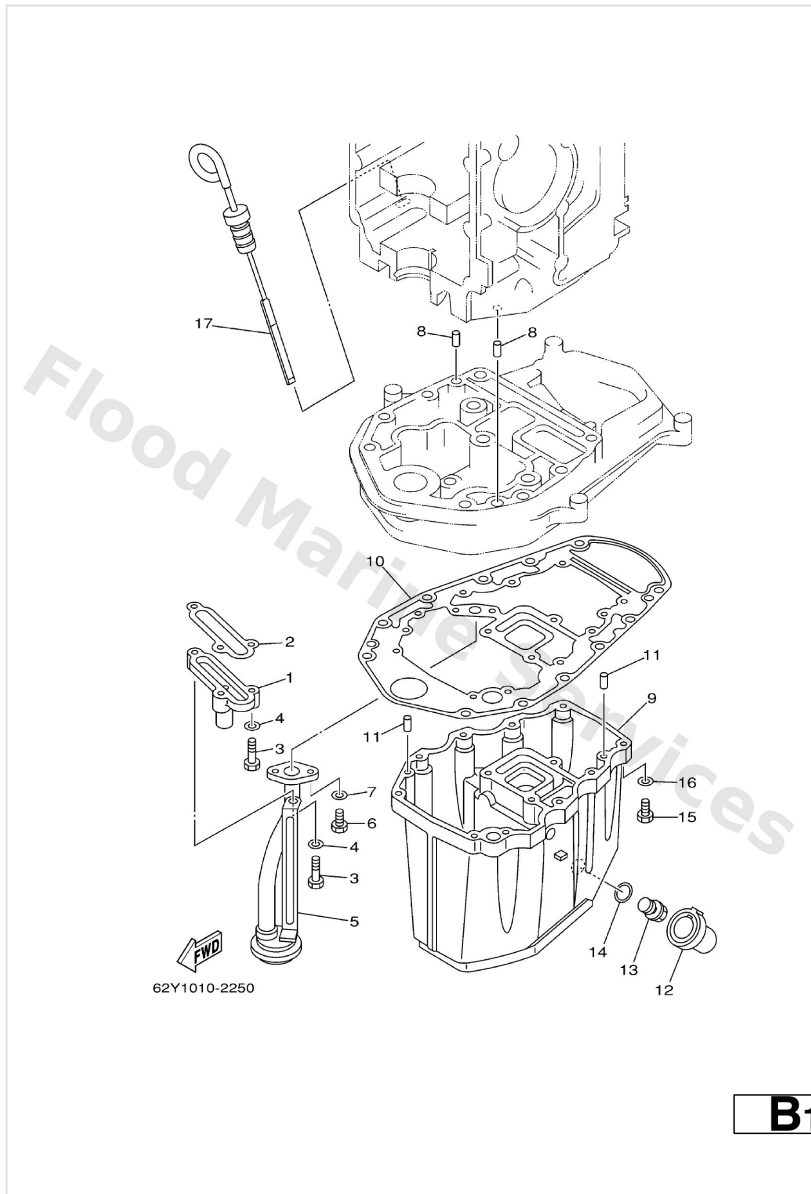
# Oil Pan



**B1**

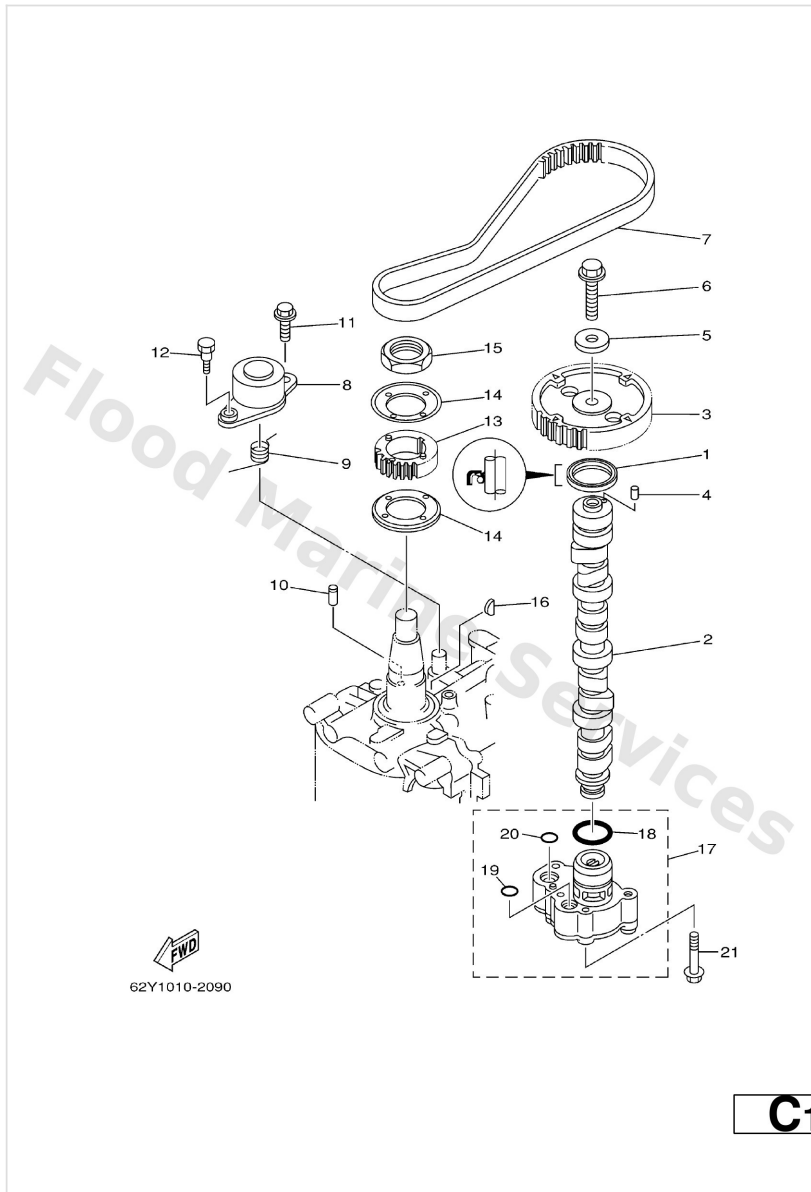
Ref	Part	
1	<a href="#">62Y1157500</a> Relief valve ass'y	<a href="#">Buy now</a>
2	<a href="#">62Y1347500</a> Gasket	<a href="#">Buy now</a>
3	<a href="#">9701306025</a> Bolt(62y)	<a href="#">Buy now</a>
4	<a href="#">9290306600</a> Washer, plain (646)	<a href="#">Buy now</a>
5	<a href="#">62Y1341100</a> Strainer, oil	<a href="#">Buy now</a>
6	<a href="#">9701306016</a> Bolt, hexagon deep recess	<a href="#">Buy now</a>
8	<a href="#">9360812M05</a> Pin, dowel b (6e5)	<a href="#">Buy now</a>
9	<a href="#">62Y15311025B</a> Oil pan F50,T50,F50A	<a href="#">Buy now</a>
9	<a href="#">64J15311015B</a> Oil pan FT50C	<a href="#">Buy now</a>
10	<a href="#">69W1531200</a> Gasket, oil pan	<a href="#">Buy now</a>
11	<a href="#">9360612019</a> Pin, dowel (614)	<a href="#">Buy now</a>
12	<a href="#">62Y1531600</a> Damper 1	<a href="#">Buy now</a>
13	<a href="#">9034014M06</a> Plug, straight screw(62y)	<a href="#">Buy now</a>
14	<a href="#">9043014M09</a> Gasket	<a href="#">Buy now</a>
15	<a href="#">9707506025</a> Bolt	<a href="#">Buy now</a>

# Oil Pan



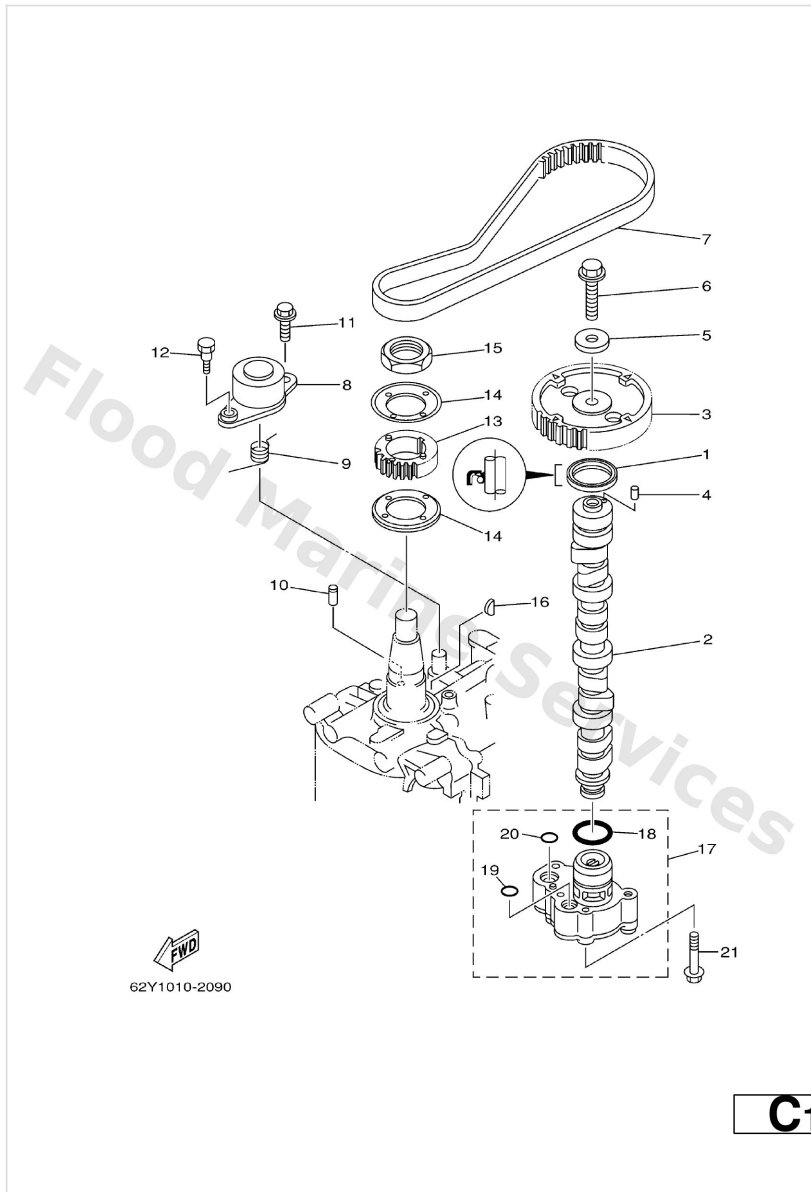
Ref	Part	
16	<a href="#">9299506600</a> Washer, plain (646)	<a href="#">Buy now</a>
17	<a href="#">62Y1536200</a> Plug, oil level	<a href="#">Buy now</a>

# Oil Pump



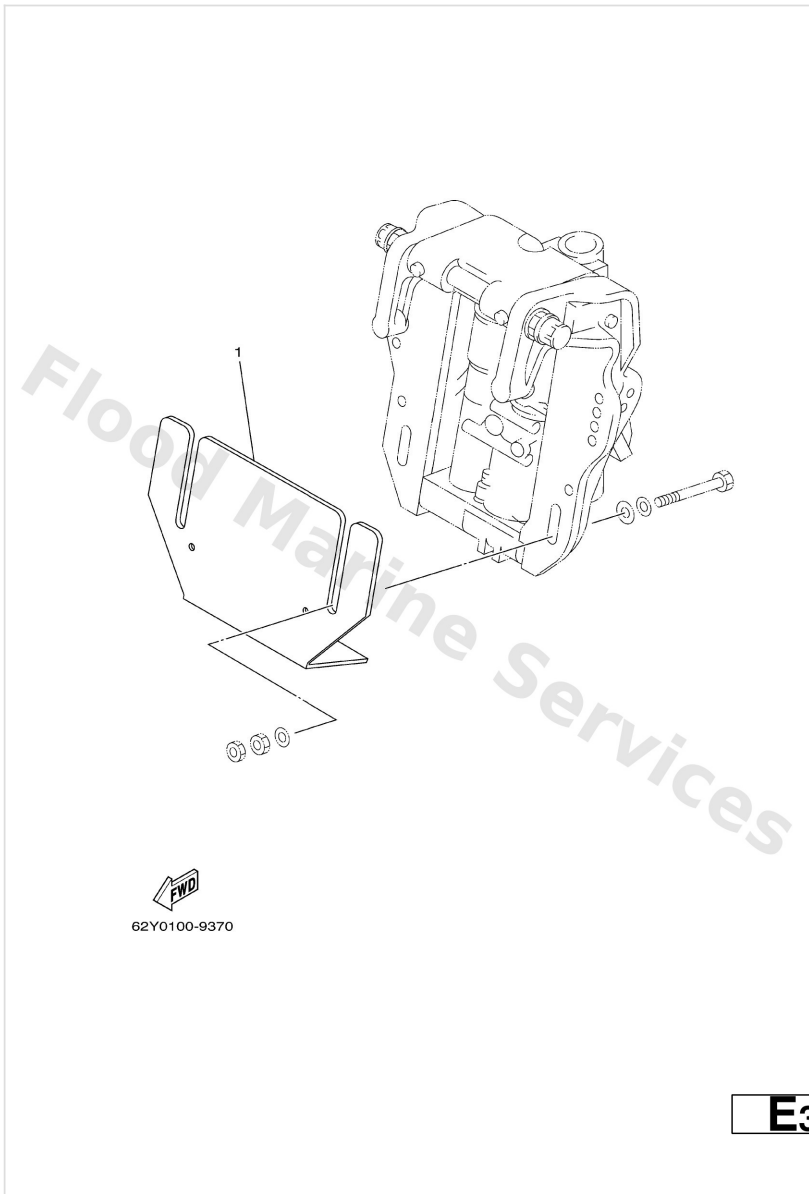
Ref	Part	
1	<a href="#">9310237M40</a> Oil seal(62y)	<a href="#">Buy now</a>
2	<a href="#">62Y1217100</a> Camshaft 1	<a href="#">Buy now</a>
3	<a href="#">62Y1153710</a> Gear, driven	<a href="#">Buy now</a>
4	<a href="#">9360514143</a> Pin (2h7)	<a href="#">Buy now</a>
5	<a href="#">9020110M06</a> Washer, plate(62y)	<a href="#">Buy now</a>
6	<a href="#">9589510040</a> Bolt, flange deep recess	<a href="#">Buy now</a>
7	<a href="#">62Y4624100</a> Belt	<a href="#">Buy now</a>
8	<a href="#">62Y1159010</a> Tensioner assembly	<a href="#">Buy now</a>
9	<a href="#">9050820018</a> Spring, torsion	<a href="#">Buy now</a>
10	<a href="#">9024907M29</a> Pin(62y)	<a href="#">Buy now</a>
11	<a href="#">9589508020</a> Bolt, flange deep recess	<a href="#">Buy now</a>
12	<a href="#">9010906M64</a> Bolt(62y)	<a href="#">Buy now</a>
13	<a href="#">62Y1153610</a> Gear, drive	<a href="#">Buy now</a>
14	<a href="#">62Y1155700</a> Washer 1	<a href="#">Buy now</a>
15	<a href="#">9017035M32</a> Nut	<a href="#">Buy now</a>

# Oil Pump



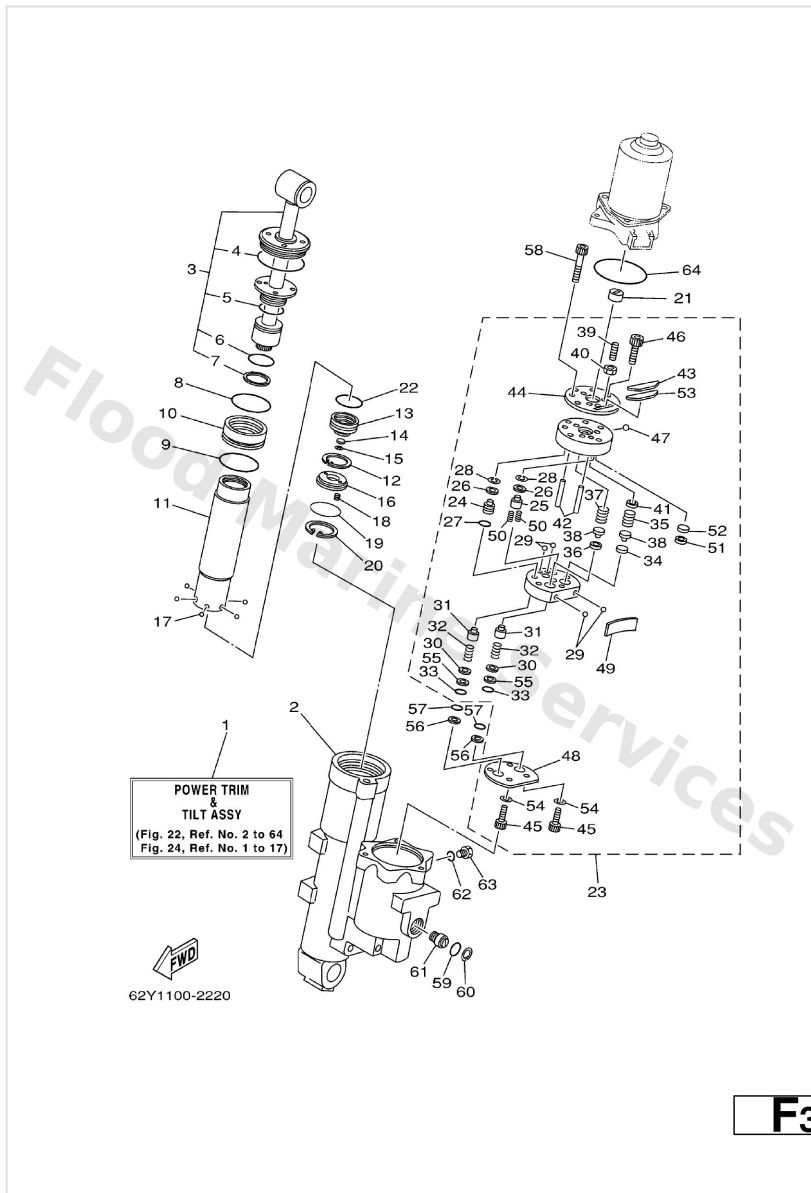
Ref	Part	
16	<a href="#">9028004M06</a> Key, woodruff(6a1)	<a href="#">Buy now</a>
17	<a href="#">62Y1330000</a> Oil Pump assembly	<a href="#">Buy now</a>
18	<a href="#">9321033MH2</a> O-ring(62y)	<a href="#">Buy now</a>
19	<a href="#">9321012MG9</a> O-ring(62y)	<a href="#">Buy now</a>
20	<a href="#">9321014515</a> O-ring (11h)	<a href="#">Buy now</a>
21	<a href="#">9011906MA6</a> Bolt, with washer	<a href="#">Buy now</a>

## Optional Parts



Ref	Part	
1	<a href="#">64J45168004D</a> Plate, splash 2 AP	<a href="#">Buy now</a>

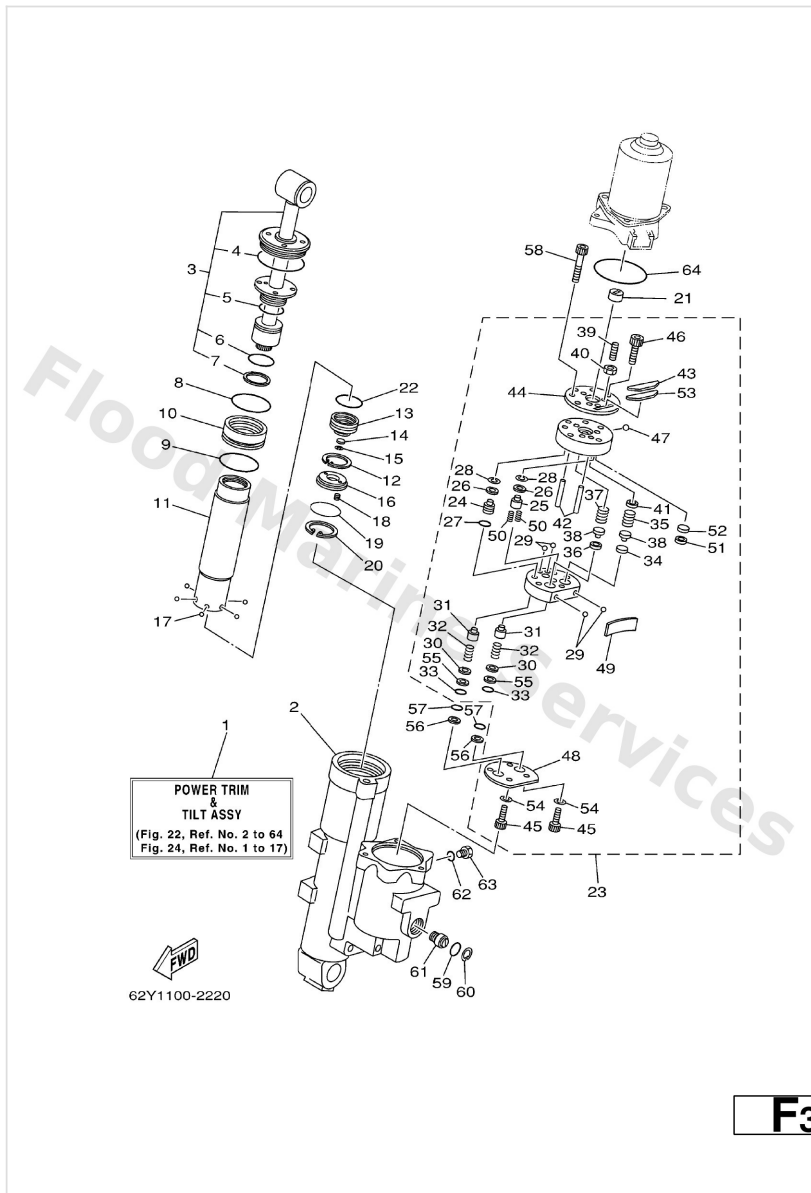
# Power Trim & Tilt Assy 1



Ref	Part	
2	<a href="#">CS34380K00</a> Cylinder Tilt Sub assembly	<a href="#">Buy now</a>
3	<a href="#">62X4381001</a> Tilt piston sub assembly	<a href="#">Buy now</a>
4	<a href="#">62X4386100</a> O-ring	<a href="#">Buy now</a>
5	<a href="#">62X4386200</a> O-ring	<a href="#">Buy now</a>
6	<a href="#">9321029375</a> O-ring (j10)	<a href="#">Buy now</a>
7	<a href="#">62X4387100</a> Ring, back up	<a href="#">Buy now</a>
8	<a href="#">9321044383</a> O-ring (705)	<a href="#">Buy now</a>
9	<a href="#">9321048214</a> O-ring	<a href="#">Buy now</a>
10	<a href="#">62X4388A00</a> Piston, trim	<a href="#">Buy now</a>
11	<a href="#">CS32247100</a> Cylinder, shock absorber	<a href="#">Buy now</a>
12	<a href="#">67F4387500</a> Ring, snap	<a href="#">Buy now</a>
13	<a href="#">CS34381400</a> Piston, Free	<a href="#">Buy now</a>
14	<a href="#">6H14384G11</a> Seal, relief valve	<a href="#">Buy now</a>
15	<a href="#">61A4387500</a> Ring, snap	<a href="#">Buy now</a>
16	<a href="#">62X4389900</a> Plate stopper	<a href="#">Buy now</a>

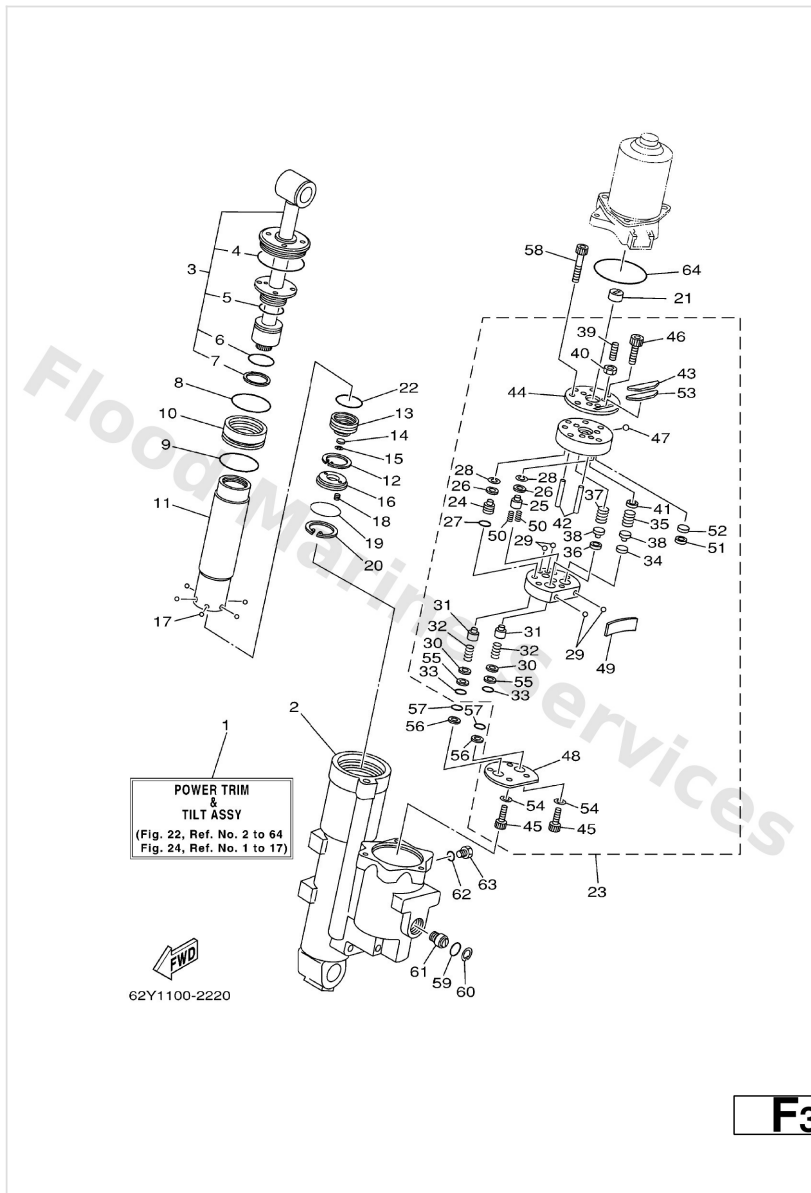


# Power Trim & Tilt Assy 1



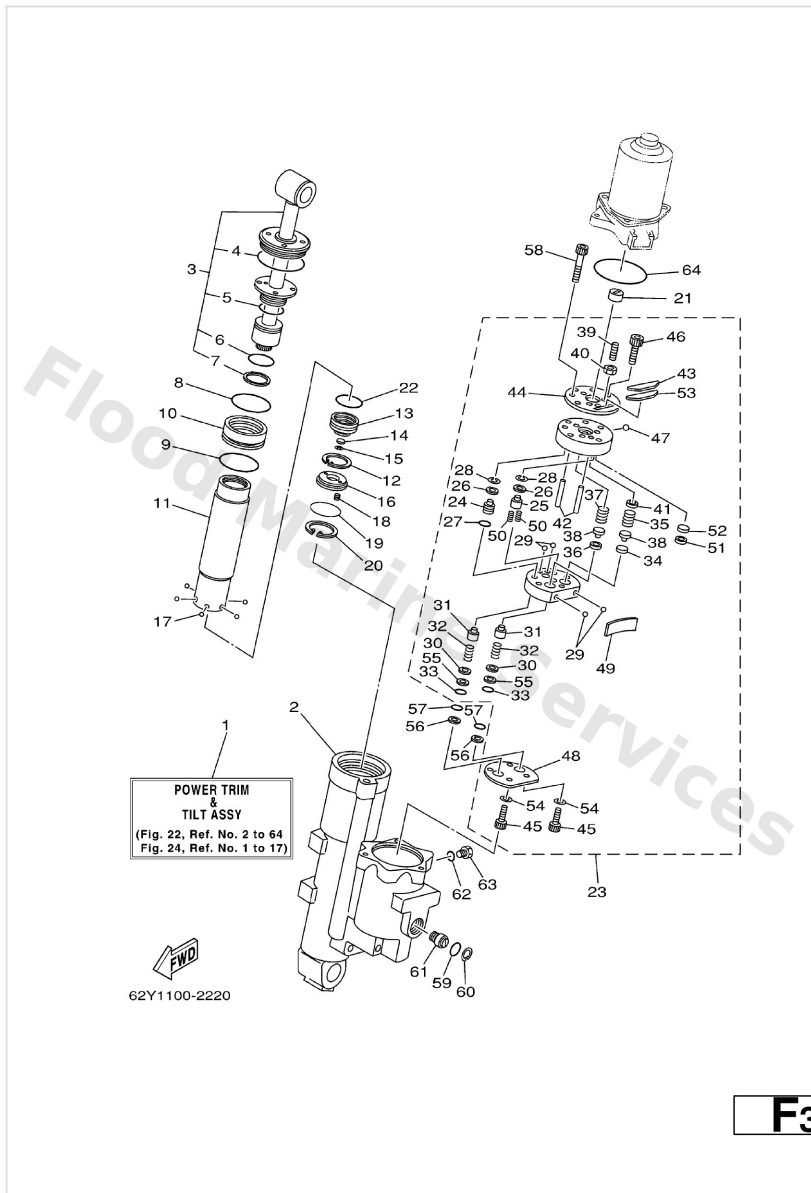
Ref	Part	
17	<a href="#">9350316003</a> Ball	<a href="#">Buy now</a>
18	<a href="#">62X4384H00</a> Spring	<a href="#">Buy now</a>
19	<a href="#">1UF2243400</a> Plate, valve 1	<a href="#">Buy now</a>
20	<a href="#">62X4387500</a> Ring, snap	<a href="#">Buy now</a>
21	<a href="#">6H14383110</a> Connector, shaft	<a href="#">Buy now</a>
23	<a href="#">CS34383000</a> Gear pump assembly	<a href="#">Buy now</a>
24	<a href="#">69A4384100</a> Piston, shuttle	<a href="#">Buy now</a>
25	<a href="#">69A4384M00</a> Piston, shuttle 2	<a href="#">Buy now</a>
26	<a href="#">69A4384F00</a> Seal, main valve	<a href="#">Buy now</a>
27	<a href="#">6H14388300</a> O-ring	<a href="#">Buy now</a>
28	<a href="#">9900103600</a> Circlip(6I5)	<a href="#">Buy now</a>
29	<a href="#">9350532038</a> Ball(7fk)	<a href="#">Buy now</a>
30	<a href="#">CS34388F00</a> Spacer	<a href="#">Buy now</a>
31	<a href="#">6T44380800</a> Seat valve comp. 1	<a href="#">Buy now</a>
32	<a href="#">CS34385300</a> Spring, Main Valve	<a href="#">Buy now</a>

# Power Trim & Tilt Assy 1



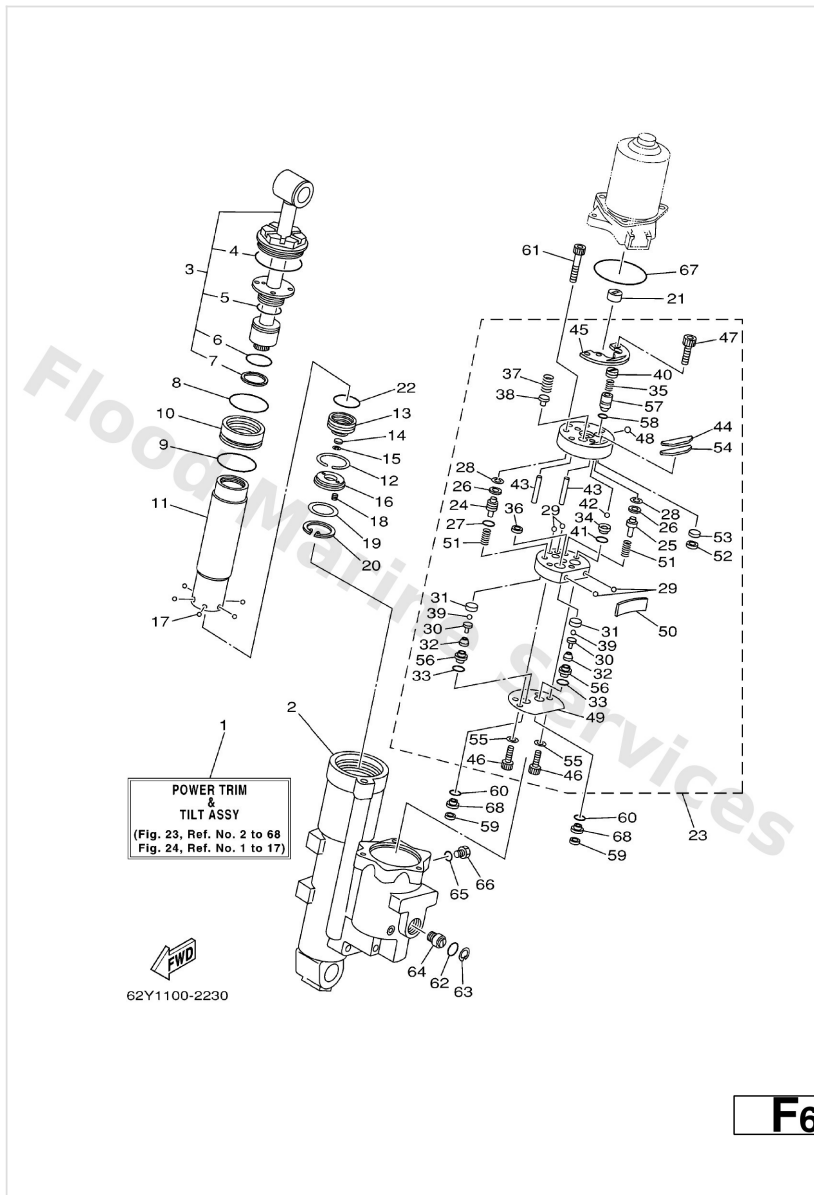
Ref	Part	
33	<a href="#">9321006001</a> O-ring (26h)	<a href="#">Buy now</a>
35	<a href="#">CS34385500</a> Spring, up relief	<a href="#">Buy now</a>
36	<a href="#">6H14384F10</a> Seal, main valve	<a href="#">Buy now</a>
37	<a href="#">6H14385610</a> Spring, down relief	<a href="#">Buy now</a>
38	<a href="#">6H14384410</a> Pin, valve support	<a href="#">Buy now</a>
39	<a href="#">92A0803110</a> Screw set	<a href="#">Buy now</a>
40	<a href="#">9530703600</a> Nut(7rc)	<a href="#">Buy now</a>
41	<a href="#">CS34382A00</a> Adaptor 1	<a href="#">Buy now</a>
42	<a href="#">9360426256</a> Pin, dowel	<a href="#">Buy now</a>
43	<a href="#">CS34381600</a> Filter 1	<a href="#">Buy now</a>
44	<a href="#">CS34382L00</a> Cap, relief valve	<a href="#">Buy now</a>
45	<a href="#">9131805020</a> Bolt, socket	<a href="#">Buy now</a>
46	<a href="#">9131805008</a> Bolt,socket	<a href="#">Buy now</a>
47	<a href="#">9350108001</a> Ball	<a href="#">Buy now</a>
48	<a href="#">CS34384G00</a> Seal, Relief Valve	<a href="#">Buy now</a>

# Power Trim & Tilt Assy 1



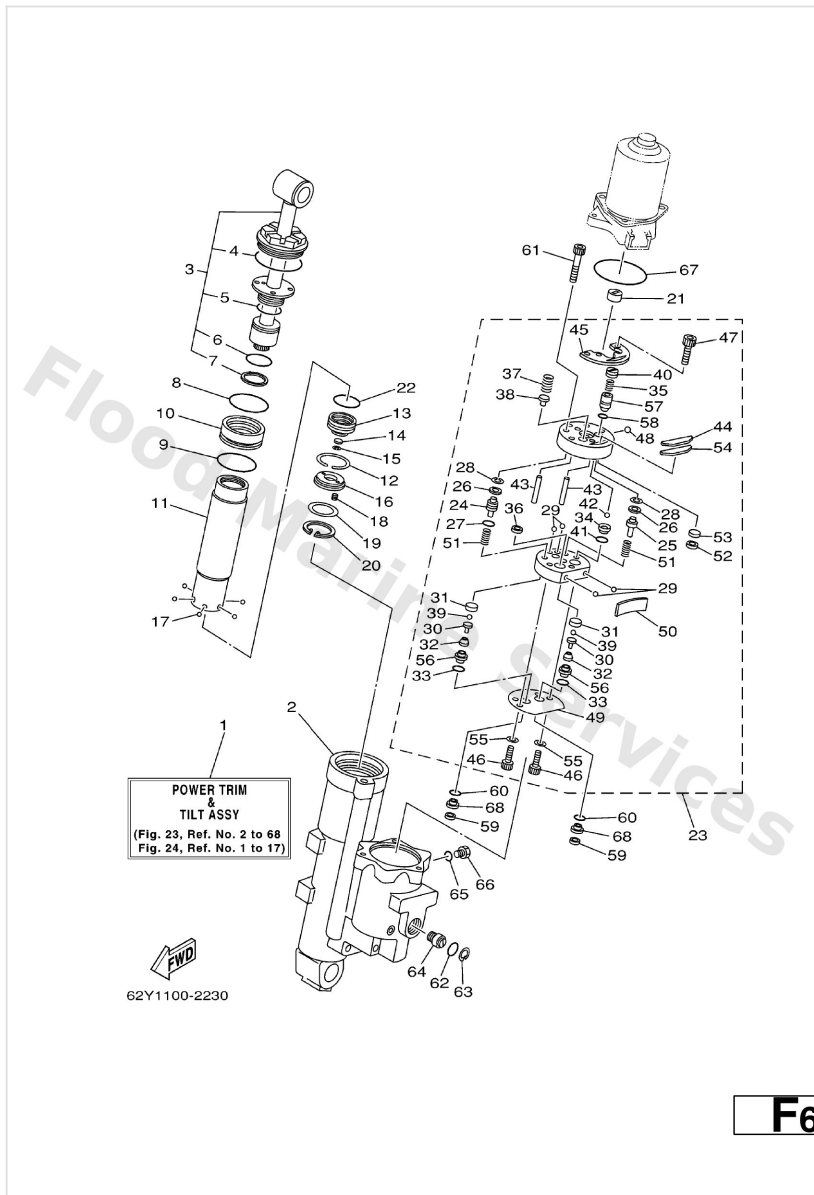
Ref	Part	
49	<a href="#">CS34385400</a> Spring, manual release	<a href="#">Buy now</a>
50	<a href="#">62Y4389400</a> Spring, shuttle return	<a href="#">Buy now</a>
51	<a href="#">CS34387J00</a> Washer, special 2	<a href="#">Buy now</a>
52	<a href="#">CK52243400</a> Plate, valve 1	<a href="#">Buy now</a>
53	<a href="#">CS34387I00</a> Ring, back up	<a href="#">Buy now</a>
54	<a href="#">CS34387G00</a> Washer	<a href="#">Buy now</a>
55	<a href="#">9020105M04</a> Washer, plate	<a href="#">Buy now</a>
56	<a href="#">6H14381600</a> Filter 1	<a href="#">Buy now</a>
58	<a href="#">9131806040</a> Bolt,socket	<a href="#">Buy now</a>
59	<a href="#">9321018397</a> O-ring (6g5)	<a href="#">Buy now</a>
60	<a href="#">6H14387500</a> Ring, snap	<a href="#">Buy now</a>
61	<a href="#">CS34384500</a> Screw, manual release	<a href="#">Buy now</a>
62	<a href="#">9321009165</a> O-ring	<a href="#">Buy now</a>
63	<a href="#">6H14382900</a> Plug, reservoir	<a href="#">Buy now</a>
64	<a href="#">62X4386500</a> O-ring	<a href="#">Buy now</a>

# Power Trim & Tilt Assy 2



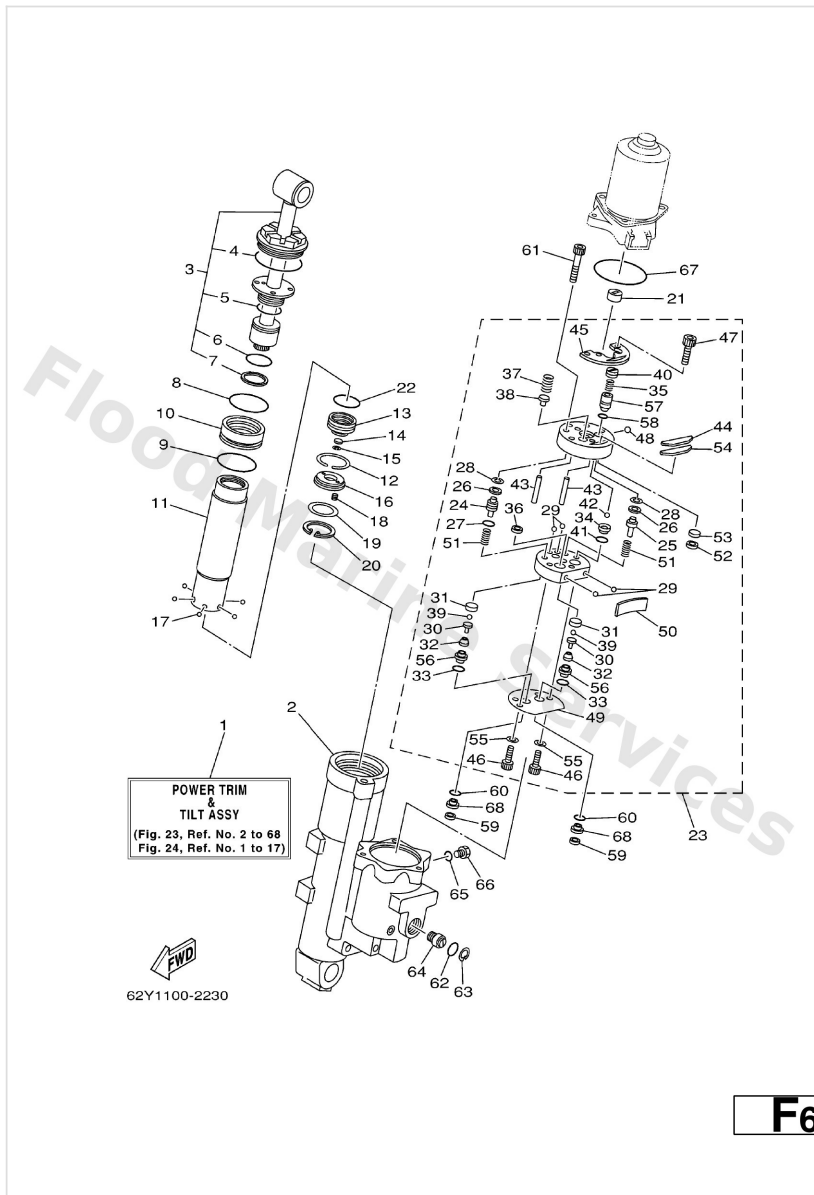
Ref	Part	
2	<a href="#">69W4380K00</a> Cylinder, tilt sub assembly	<a href="#">Buy now</a>
3	<a href="#">69W4381000</a> Tilt Piston Sub assembly	<a href="#">Buy now</a>
4	<a href="#">62X4386100</a> O-ring	<a href="#">Buy now</a>
5	<a href="#">62X4386200</a> O-ring	<a href="#">Buy now</a>
6	<a href="#">9321029375</a> O-ring (j10)	<a href="#">Buy now</a>
7	<a href="#">62X4387100</a> Ring, back up	<a href="#">Buy now</a>
8	<a href="#">9321044383</a> O-ring (705)	<a href="#">Buy now</a>
9	<a href="#">9321048214</a> O-ring	<a href="#">Buy now</a>
10	<a href="#">62X4388A00</a> Piston, trim	<a href="#">Buy now</a>
11	<a href="#">CS32247100</a> Cylinder, shock absorber	<a href="#">Buy now</a>
12	<a href="#">67F4387500</a> Ring, snap	<a href="#">Buy now</a>
13	<a href="#">CS34381400</a> Piston, Free	<a href="#">Buy now</a>
14	<a href="#">6H14384G11</a> Seal, relief valve	<a href="#">Buy now</a>
15	<a href="#">61A4387500</a> Ring, snap	<a href="#">Buy now</a>
16	<a href="#">62X4389900</a> Plate stopper	<a href="#">Buy now</a>

# Power Trim & Tilt Assy 2



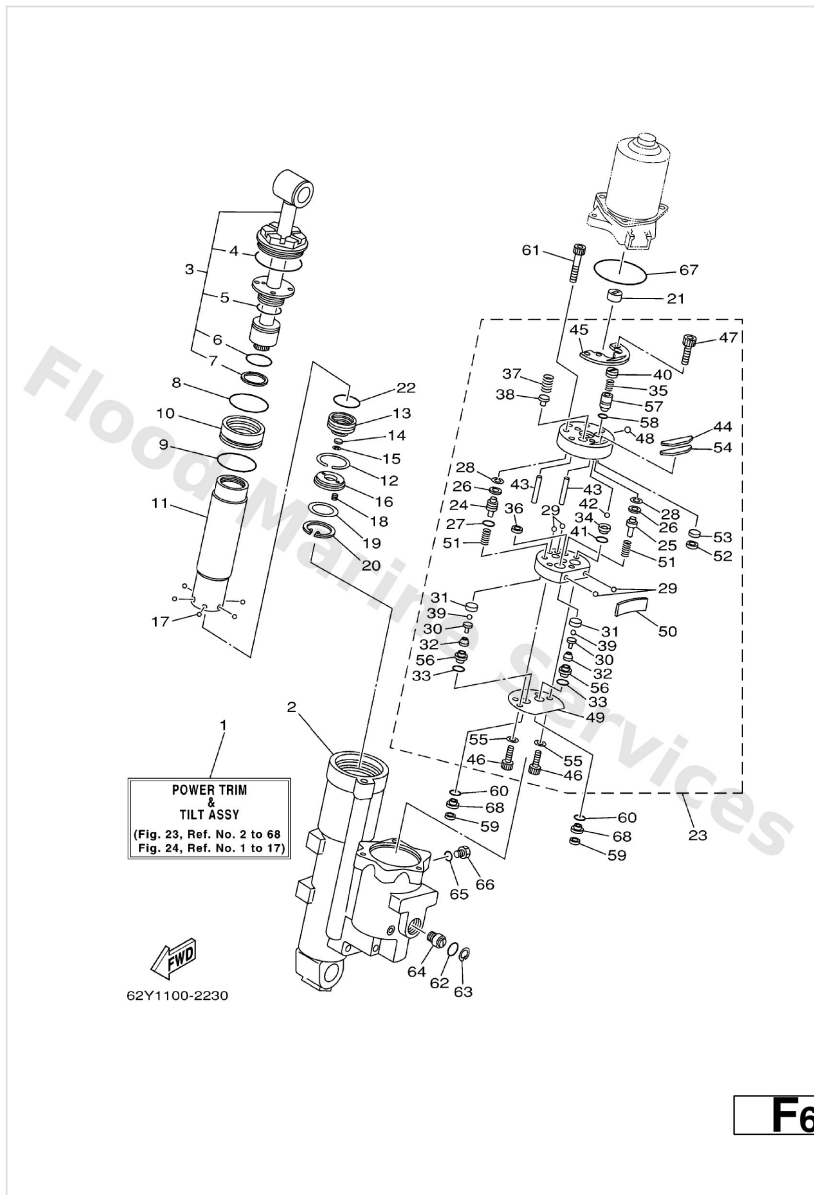
Ref	Part	
17	<a href="#">9350316003</a> Ball	<a href="#">Buy now</a>
18	<a href="#">62X4384H00</a> Spring	<a href="#">Buy now</a>
19	<a href="#">1UF2243400</a> Plate, valve 1	<a href="#">Buy now</a>
20	<a href="#">62X4387500</a> Ring, snap	<a href="#">Buy now</a>
21	<a href="#">6H14383110</a> Connector, shaft	<a href="#">Buy now</a>
23	<a href="#">69W4383000</a> Gear pump assembly	<a href="#">Buy now</a>
24	<a href="#">69J4384100</a> Piston, shuttle	<a href="#">Buy now</a>
25	<a href="#">69J4384M00</a> Piston, shuttle 2	<a href="#">Buy now</a>
26	<a href="#">69A4384F00</a> Seal, main valve	<a href="#">Buy now</a>
27	<a href="#">6H14388300</a> O-ring	<a href="#">Buy now</a>
28	<a href="#">9900103600</a> Circlip(6I5)	<a href="#">Buy now</a>
29	<a href="#">9350532038</a> Ball(7fk)	<a href="#">Buy now</a>
30	<a href="#">65W4386A00</a> Pin, absorber valve	<a href="#">Buy now</a>
31	<a href="#">69J4382G20</a> Washer, Wave	<a href="#">Buy now</a>
32	<a href="#">69J4385300</a> Spring, main valve	<a href="#">Buy now</a>

# Power Trim & Tilt Assy 2



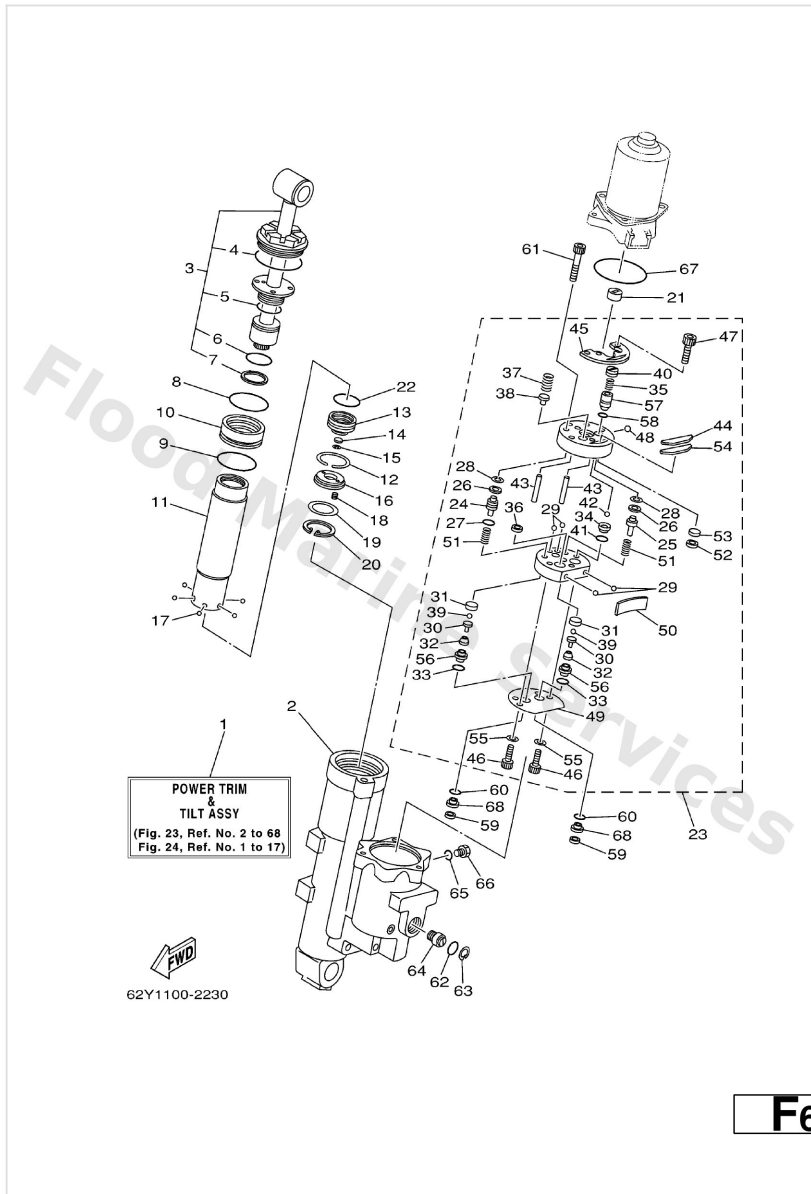
Ref	Part	
33	<a href="#">69J4389J00</a> O-ring	<a href="#">Buy now</a>
34	<a href="#">69J4385120</a> Seat, Relief Valve	<a href="#">Buy now</a>
35	<a href="#">69J4385500</a> Spring, up relief	<a href="#">Buy now</a>
36	<a href="#">6H14384F10</a> Seal, main valve	<a href="#">Buy now</a>
37	<a href="#">69W4385600</a> Spring, down relief	<a href="#">Buy now</a>
38	<a href="#">6H14384410</a> Pin, valve support	<a href="#">Buy now</a>
40	<a href="#">69J4384320</a> Screw, Valve Lock	<a href="#">Buy now</a>
41	<a href="#">9321008391</a> O-ring	<a href="#">Buy now</a>
42	<a href="#">9350108001</a> Ball	<a href="#">Buy now</a>
43	<a href="#">9360426256</a> Pin, dowel	<a href="#">Buy now</a>
44	<a href="#">CS34381600</a> Filter 1	<a href="#">Buy now</a>
45	<a href="#">69W4382L00</a> Cap, relief valve	<a href="#">Buy now</a>
46	<a href="#">9131805020</a> Bolt, socket	<a href="#">Buy now</a>
47	<a href="#">9131805008</a> Bolt,socket	<a href="#">Buy now</a>
49	<a href="#">69W4384G00</a> Seal, relief valve	<a href="#">Buy now</a>

# Power Trim & Tilt Assy 2



Ref	Part	
50	<a href="#">69W4385400</a> Spring, manual release	<a href="#">Buy now</a>
51	<a href="#">69J4389400</a> Spring, shuttle return	<a href="#">Buy now</a>
52	<a href="#">CS34387J00</a> Washer, special 2	<a href="#">Buy now</a>
53	<a href="#">CK52243400</a> Plate, valve 1	<a href="#">Buy now</a>
54	<a href="#">CS34387I00</a> Ring, back up	<a href="#">Buy now</a>
55	<a href="#">CS34387G00</a> Washer	<a href="#">Buy now</a>
56	<a href="#">69J4389300</a> Washer	<a href="#">Buy now</a>
57	<a href="#">69J4384420</a> Pin, Valve Support	<a href="#">Buy now</a>
58	<a href="#">93210064A5</a> O-ring(61a)	<a href="#">Buy now</a>
59	<a href="#">6H14381600</a> Filter 1	<a href="#">Buy now</a>
61	<a href="#">9131806040</a> Bolt,socket	<a href="#">Buy now</a>
62	<a href="#">9321018397</a> O-ring (6g5)	<a href="#">Buy now</a>
63	<a href="#">6H14387500</a> Ring, snap	<a href="#">Buy now</a>
64	<a href="#">CS34384500</a> Screw, manual release	<a href="#">Buy now</a>
65	<a href="#">9321009165</a> O-ring	<a href="#">Buy now</a>

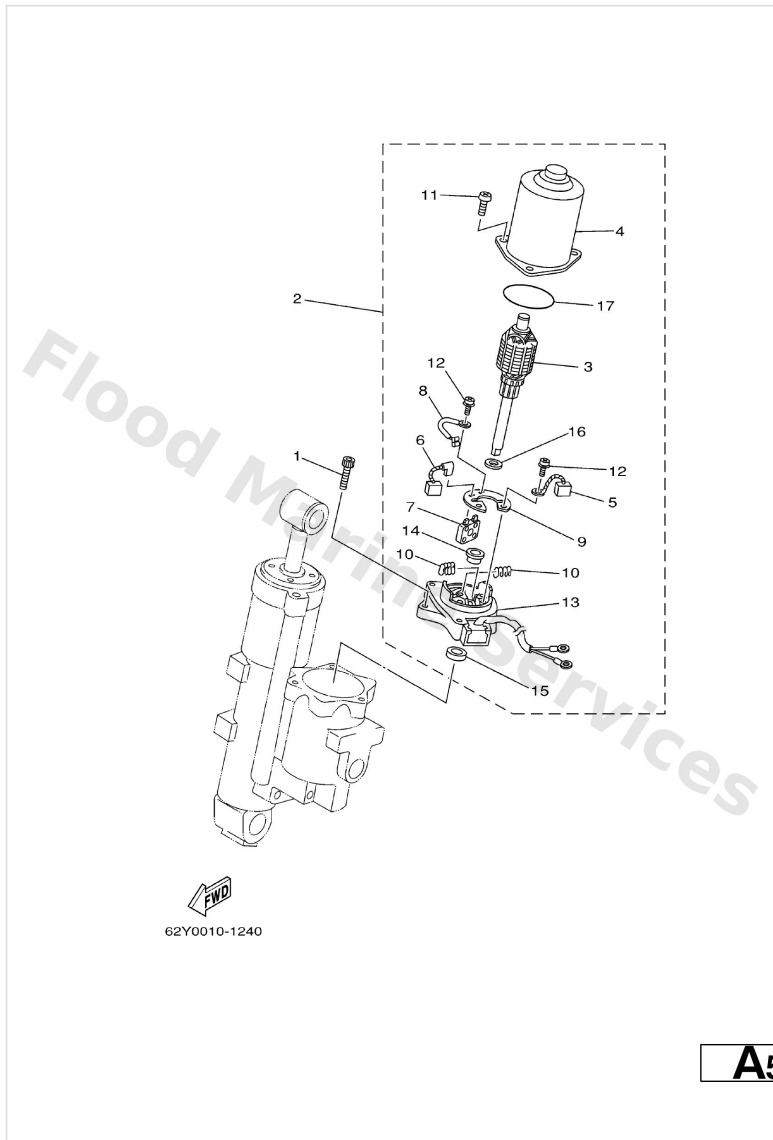
# Power Trim & Tilt Assy 2



Ref	Part	
66	<a href="#">6H14382900</a> Plug, reservoir	<a href="#">Buy now</a>
67	<a href="#">62X4386500</a> O-ring	<a href="#">Buy now</a>
68	<a href="#">69J4389900</a> Plate stopper	<a href="#">Buy now</a>

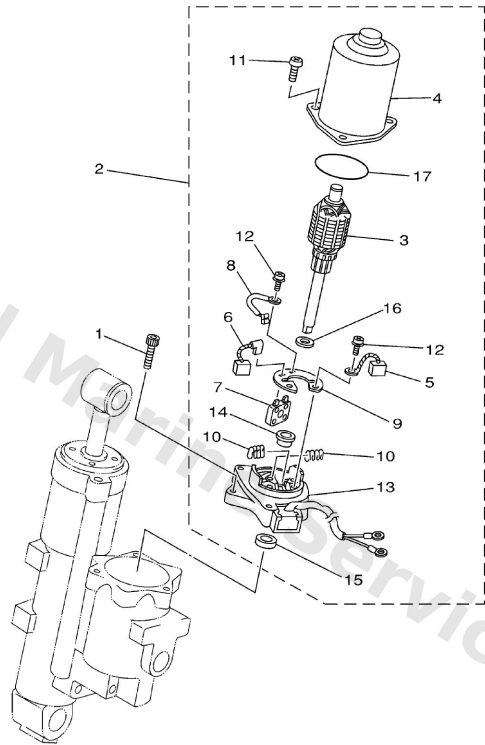


# Power Trim & Tilt Assy 3



Ref	Part	
1	<a href="#">62X4388800</a> Bolt,socket	<a href="#">Buy now</a>
2	<a href="#">69W4388000</a> Motor assembly X	<a href="#">Buy now</a>
2	<a href="#">CS34388000</a> Motor assembly L	<a href="#">Buy now</a>
3	<a href="#">69W4380500</a> Armature assembly FOR 69W-43880-00	<a href="#">Buy now</a>
3	<a href="#">CS34380500</a> Armature assembly FOR CS3-43880-00	<a href="#">Buy now</a>
4	<a href="#">62X4380401</a> Stator assembly	<a href="#">Buy now</a>
5	<a href="#">CS34389200</a> Brush 2	<a href="#">Buy now</a>
6	<a href="#">CS34389100</a> Brush 1	<a href="#">Buy now</a>
7	<a href="#">69W8218100</a> Circuit breaker comp. FOR 69W-43880-00	<a href="#">Buy now</a>
7	<a href="#">CS38218100</a> Circuit Breaker Comp FOR CS3-43880-00	<a href="#">Buy now</a>
8	<a href="#">62X4380700</a> Wire sub assembly	<a href="#">Buy now</a>
9	<a href="#">62X4380F00</a> Plate, brush holder	<a href="#">Buy now</a>
10	<a href="#">62X4386K00</a> Spring, brush	<a href="#">Buy now</a>
11	<a href="#">9788005020</a> Screw, pan head (e22)	<a href="#">Buy now</a>
12	<a href="#">9760204216</a> Screw, pan head with washer	<a href="#">Buy now</a>

# Power Trim & Tilt Assy 3

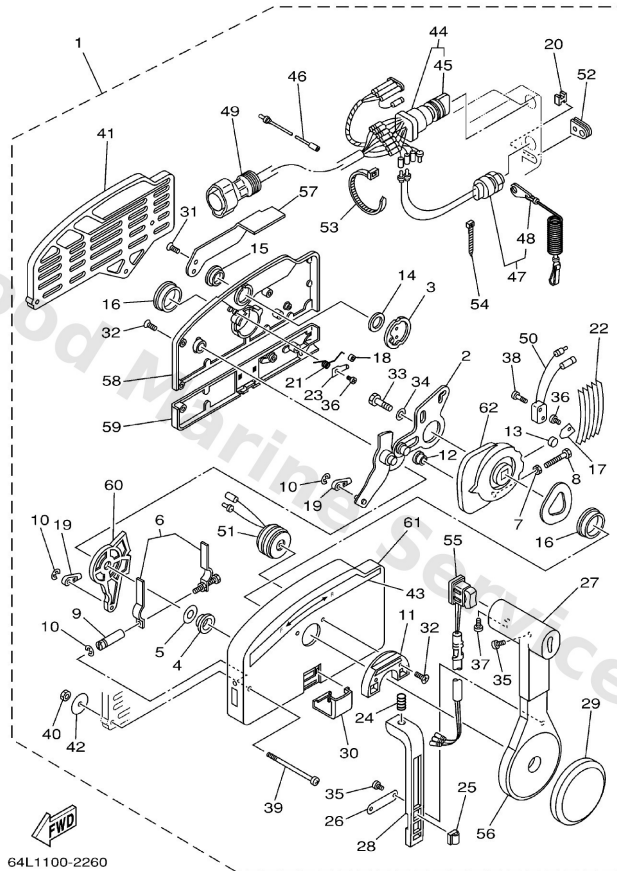


62Y0010-1240

A5

Ref	Part	
13	<a href="#">62X4388100</a> Frame, end FOR CS3-43880-00	<a href="#">Buy now</a>
13	<a href="#">69W4388100</a> Frame, end FOR 69W-43880-00	<a href="#">Buy now</a>
14	<a href="#">62X4380H00</a> Metal	<a href="#">Buy now</a>
15	<a href="#">9310208414</a> Oil seal(61a)	<a href="#">Buy now</a>
16	<a href="#">90201083J8</a> Washer, plate(62x)	<a href="#">Buy now</a>
17	<a href="#">9321052449</a> O-ring(50m)	<a href="#">Buy now</a>

# Remote Control Assy 1

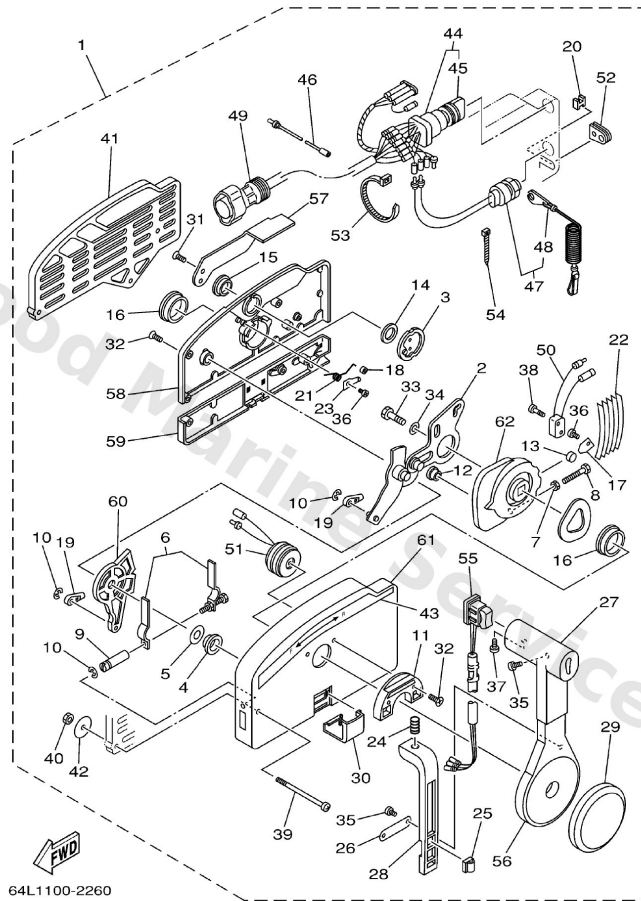


64L1100-2260

**D1**

Ref	Part	
1	<a href="#">7034820517</a> Remote control assembly (10p, ptt) AP WITH PT/T SW.	<a href="#">Buy now</a>
2	<a href="#">7034826101</a> Arm, throttle	<a href="#">Buy now</a>
3	<a href="#">7034815300</a> Shaft, free accel.	<a href="#">Buy now</a>
4	<a href="#">7034823500</a> Bushing	<a href="#">Buy now</a>
5	<a href="#">7034826800</a> Spacer 3	<a href="#">Buy now</a>
6	<a href="#">7034826400</a> Throttle, friction	<a href="#">Buy now</a>
7	<a href="#">9538005600</a> Nut, hexagon (663)	<a href="#">Buy now</a>
8	<a href="#">9738005025</a> Bolt	<a href="#">Buy now</a>
9	<a href="#">7034826500</a> Shaft Friction	<a href="#">Buy now</a>
10	<a href="#">9343006024</a> Circlip (701)	<a href="#">Buy now</a>
11	<a href="#">7034824500</a> Plate, lock	<a href="#">Buy now</a>
12	<a href="#">7034825200</a> Roller, cam	<a href="#">Buy now</a>
13	<a href="#">7014824800</a> Roller, free accel	<a href="#">Buy now</a>
14	<a href="#">7034819800</a> Washer, wave 3	<a href="#">Buy now</a>
15	<a href="#">7034824300</a> Bushing 3	<a href="#">Buy now</a>

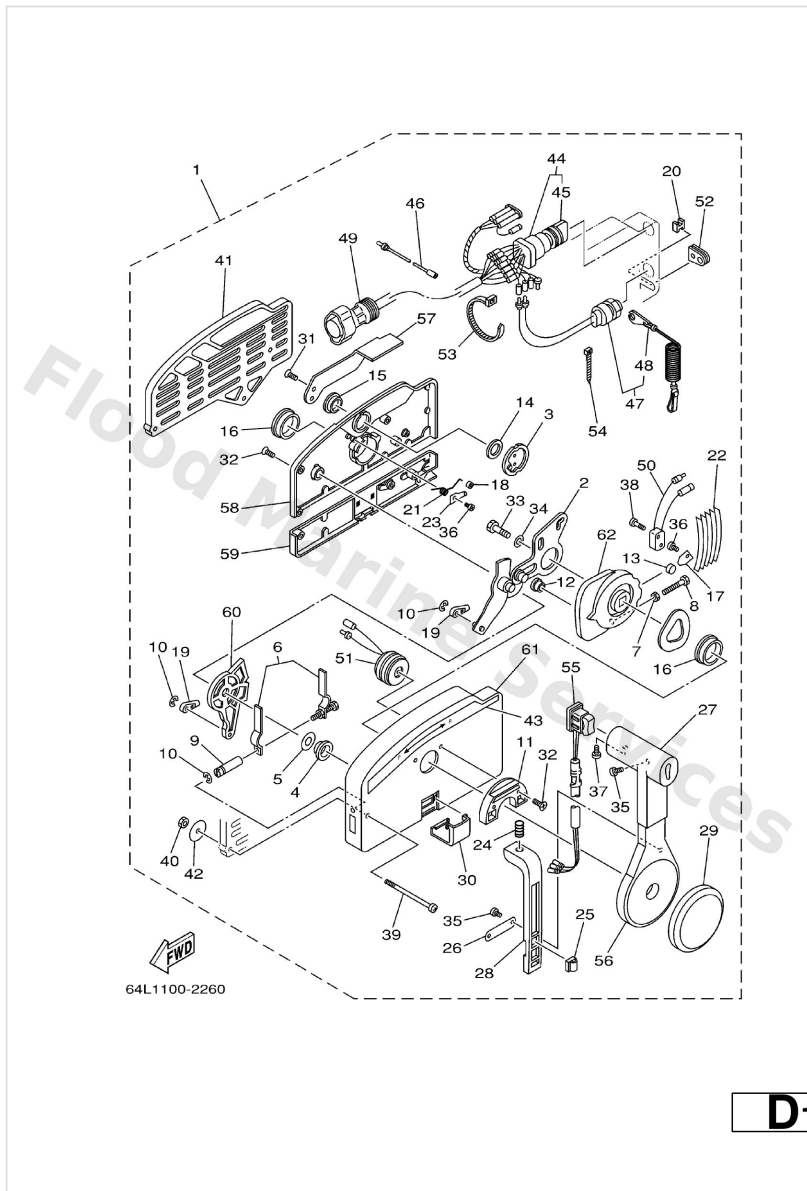
# Remote Control Assy 1



**D1**

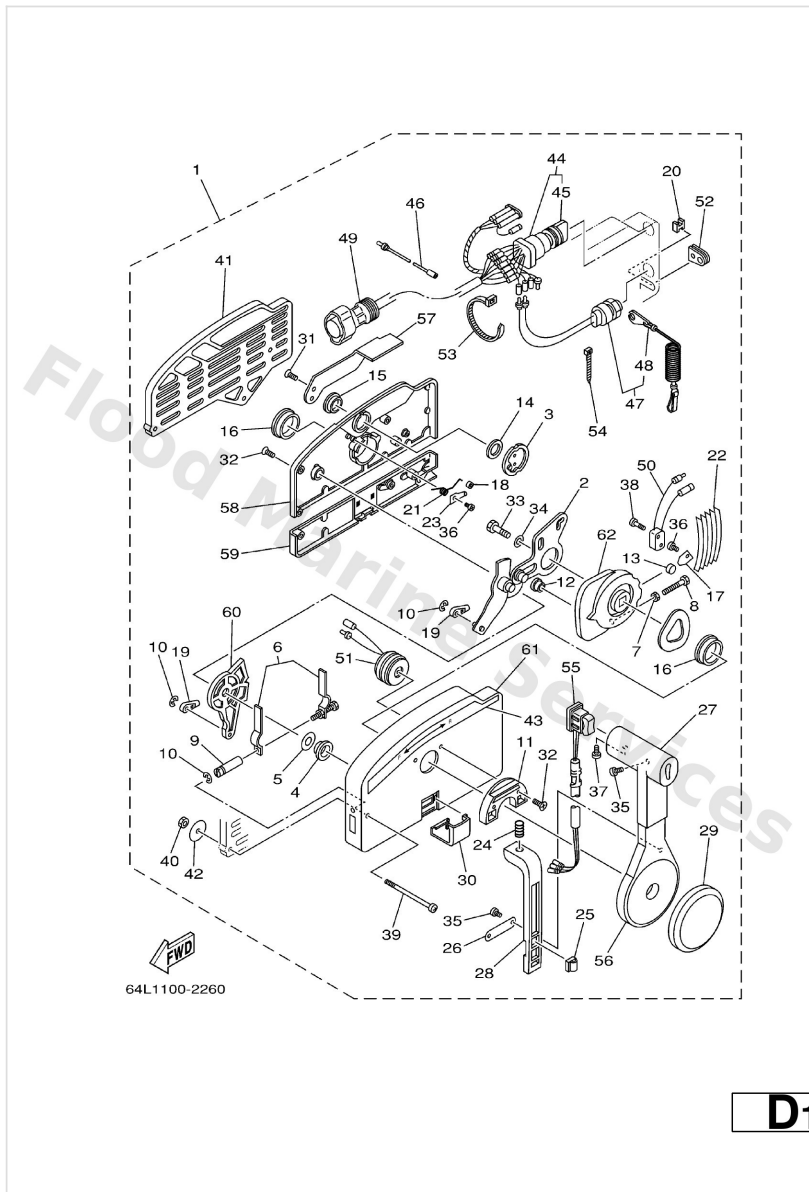
Ref	Part	
16	<a href="#">7034823600</a> Bushing	<a href="#">Buy now</a>
17	<a href="#">7034818900</a> Retainer	<a href="#">Buy now</a>
18	<a href="#">7034823400</a> Roller, detent	<a href="#">Buy now</a>
19	<a href="#">7034834501</a> Cable end, remote control 2	<a href="#">Buy now</a>
20	<a href="#">7034835800</a> Anchor, cable	<a href="#">Buy now</a>
21	<a href="#">7034824400</a> Spring, free accel.	<a href="#">Buy now</a>
22	<a href="#">7034823800</a> Spring, detent	<a href="#">Buy now</a>
23	<a href="#">7034824600</a> Spacer 1	<a href="#">Buy now</a>
24	<a href="#">7034822700</a> Spring, neutral lock	<a href="#">Buy now</a>
25	<a href="#">7038259400</a> Clamp WITH PT/T SW.	<a href="#">Buy now</a>
26	<a href="#">7034822600</a> Plate, stopper	<a href="#">Buy now</a>
27	<a href="#">7034822200</a> Grip, control lever SINGLE	<a href="#">Buy now</a>
28	<a href="#">7034822300</a> Lock, neutral	<a href="#">Buy now</a>
29	<a href="#">7034822500</a> Cover	<a href="#">Buy now</a>
30	<a href="#">7034821900</a> Cover, lead	<a href="#">Buy now</a>

# Remote Control Assy 1



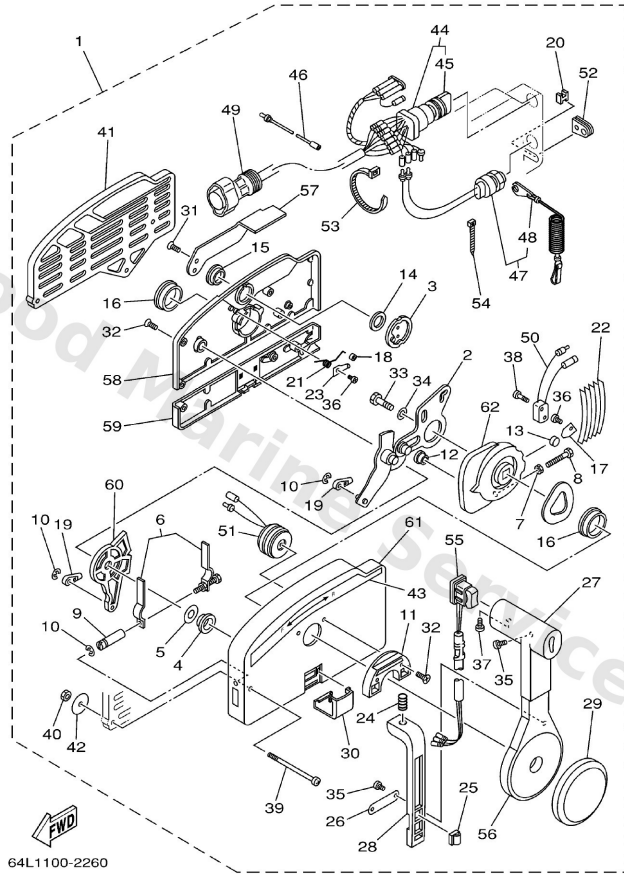
Ref	Part	
31	<a href="#">7034828100</a> Screw, flat head	<a href="#">Buy now</a>
32	<a href="#">7034828200</a> Screw	<a href="#">Buy now</a>
33	<a href="#">9738008030</a> Bolt, hexagon (fj1)	<a href="#">Buy now</a>
34	<a href="#">9299008600</a> Washer, plain (663)	<a href="#">Buy now</a>
35	<a href="#">9858004010</a> Screw, pan head (e56)	<a href="#">Buy now</a>
36	<a href="#">9858004006</a> Screw, pan head (7h3)	<a href="#">Buy now</a>
37	<a href="#">9858005010</a> Screw, pan head(62x)	<a href="#">Buy now</a>
38	<a href="#">9858003015</a> Screw, pan head (n151)	<a href="#">Buy now</a>
39	<a href="#">7034829110</a> Screw	<a href="#">Buy now</a>
40	<a href="#">9538006600</a> Nut(661)	<a href="#">Buy now</a>
41	<a href="#">7034829310</a> Spacer, remote control <b>SINGLE</b>	<a href="#">Buy now</a>
42	<a href="#">7014828700</a> Washer 1	<a href="#">Buy now</a>
43	<a href="#">7034821500</a> Graphic	<a href="#">Buy now</a>
44	<a href="#">7038251043</a> Main switch assembly	<a href="#">Buy now</a>
45	<a href="#">7038257700</a> Cap, key	<a href="#">Buy now</a>

# Remote Control Assy 1



Ref	Part	
46	<a href="#">7038253100</a> Wire, lead	<a href="#">Buy now</a>
47	<a href="#">6888257501</a> Engine stop switch assembly	<a href="#">Buy now</a>
48	<a href="#">6828255600</a> Lanyard, stop switch	<a href="#">Buy now</a>
49	<a href="#">6888258A20</a> 10p main harness mec 2m (6ft) L)5M (10P)	<a href="#">Buy now</a>
50	<a href="#">7038254000</a> Neutral switch assembly	<a href="#">Buy now</a>
51	<a href="#">7038338302</a> Buzzer	<a href="#">Buy now</a>
52	<a href="#">7034828400</a> Grommet	<a href="#">Buy now</a>
53	<a href="#">7038259100</a> Band	<a href="#">Buy now</a>
54	<a href="#">7038259200</a> Band	<a href="#">Buy now</a>
55	<a href="#">7038256302</a> Trim & tilt switch assembly	<a href="#">Buy now</a>
56	<a href="#">7034822100</a> Grip	<a href="#">Buy now</a>
57	<a href="#">7034815200</a> Knob, free accel	<a href="#">Buy now</a>
58	<a href="#">7034821200</a> Rear housing	<a href="#">Buy now</a>
59	<a href="#">7034821300</a> Back, panel	<a href="#">Buy now</a>
60	<a href="#">7034827100</a> Arm, shift	<a href="#">Buy now</a>

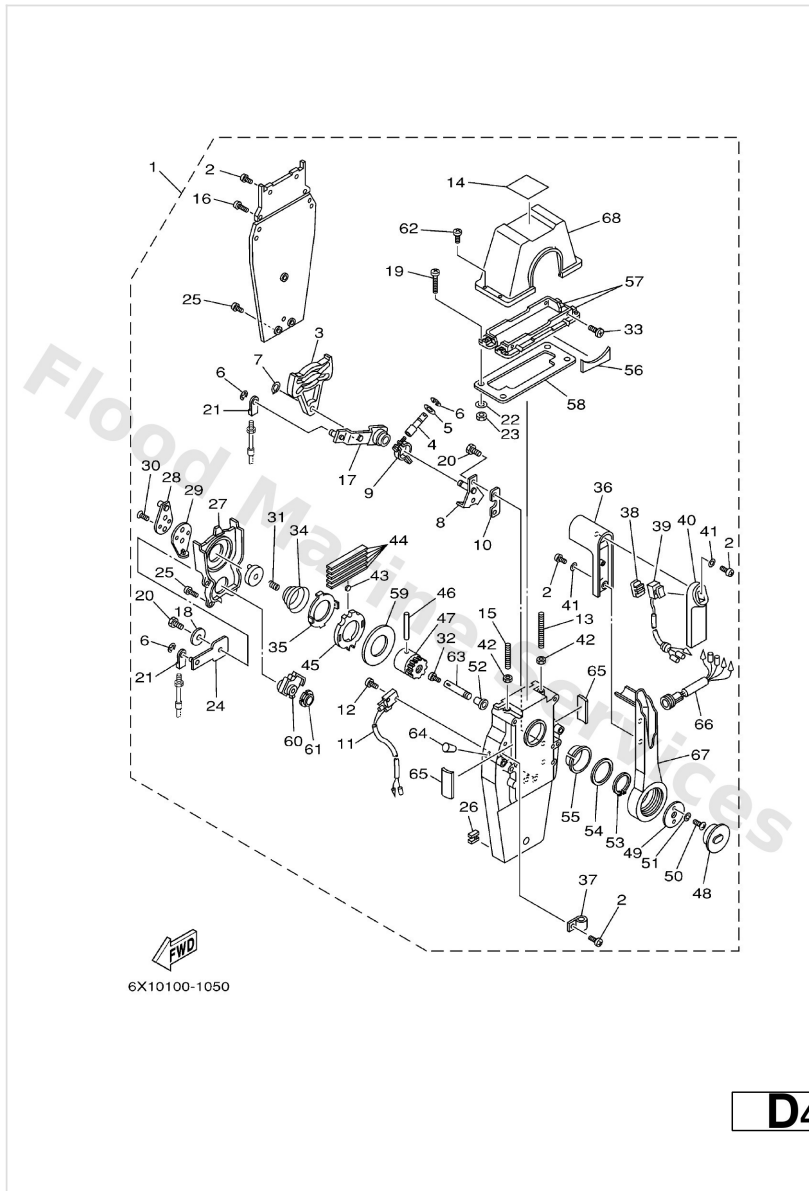
# Remote Control Assy 1



**D1**

Ref	Part	
61	<a href="#">7034821101</a> Housing,1	<a href="#">Buy now</a>
62	<a href="#">7034823200</a> Drive gear	<a href="#">Buy now</a>

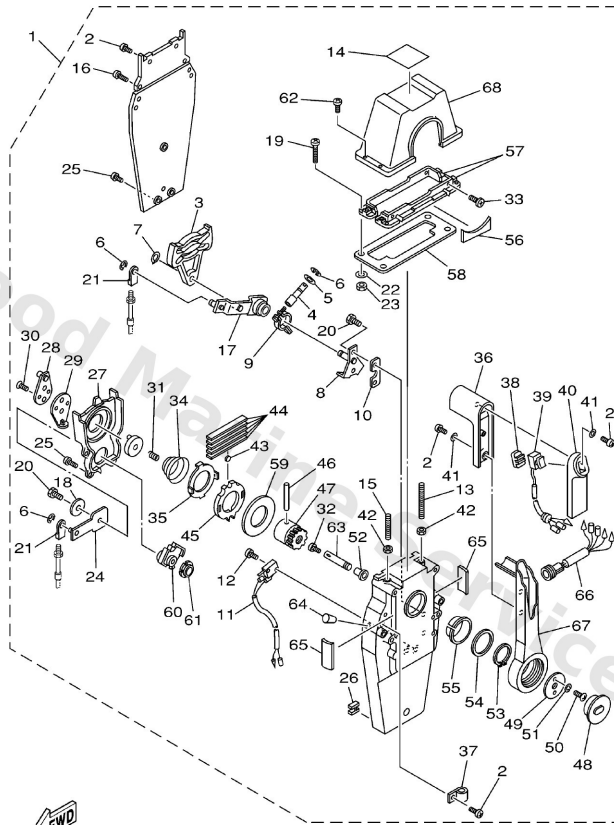
# Remote Control Assy 2



Ref	Part	
1	<a href="#">7044820514</a> 704 single top mount (mec rc) AP WITH PT/T SW.	<a href="#">Buy now</a>
2	<a href="#">9789005016</a> Screw, pan head(6b0)	<a href="#">Buy now</a>
3	<a href="#">EL84825100</a> Plate, cam	<a href="#">Buy now</a>
4	<a href="#">7044826500</a> Shaft, friction	<a href="#">Buy now</a>
5	<a href="#">7014824600</a> Spacer	<a href="#">Buy now</a>
6	<a href="#">9343006024</a> Circlip (701)	<a href="#">Buy now</a>
7	<a href="#">EL84825900</a> Circlip 1	<a href="#">Buy now</a>
8	<a href="#">7044826200</a> Shaft, throttle	<a href="#">Buy now</a>
9	<a href="#">7044826400</a> Friction, throttle	<a href="#">Buy now</a>
10	<a href="#">7044826600</a> Spacer 2	<a href="#">Buy now</a>
11	<a href="#">7048254000</a> Neutral switch assembly	<a href="#">Buy now</a>
12	<a href="#">6A54812910</a> Screw, pan head (n151)	<a href="#">Buy now</a>
13	<a href="#">EL84828100</a> Screw 1	<a href="#">Buy now</a>
14	<a href="#">7044821500</a> Graphic 1	<a href="#">Buy now</a>
15	<a href="#">7044828100</a> Screw1	<a href="#">Buy now</a>



## Remote Control Assy 2

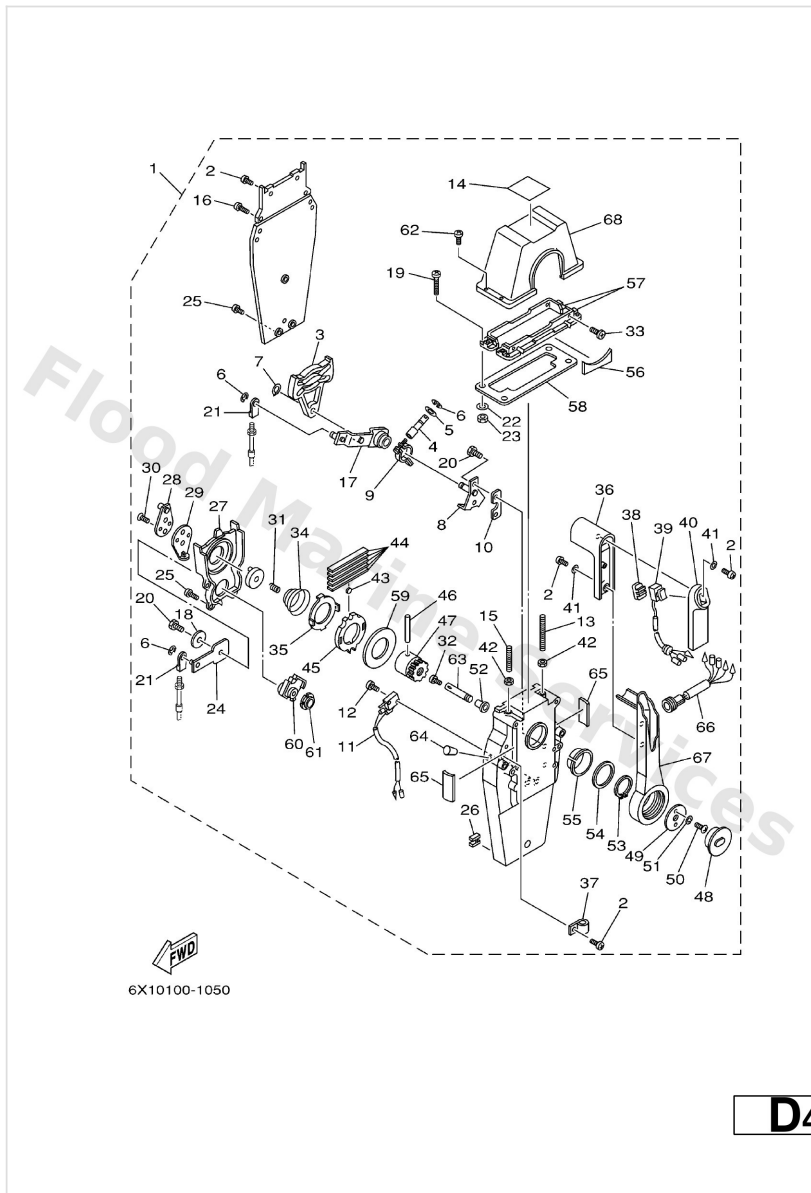


6X10100-1050

**D4**

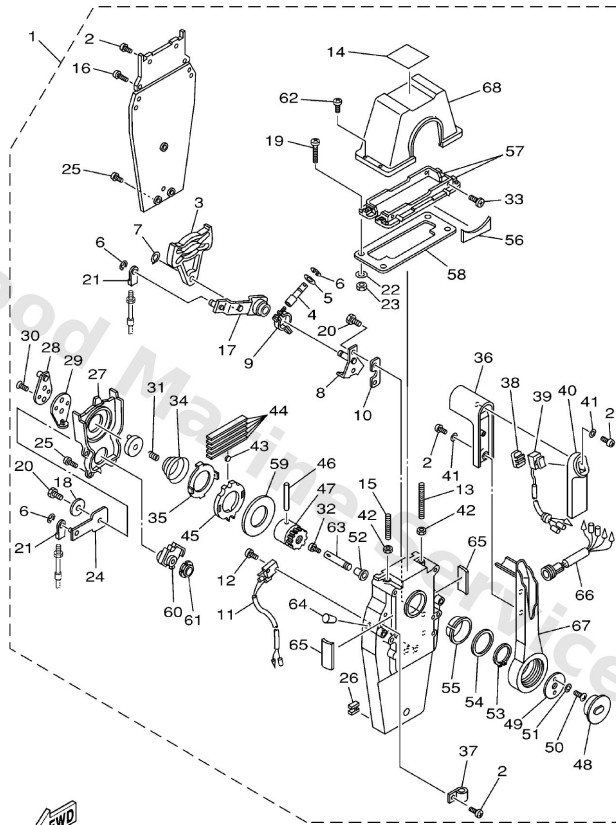
Ref	Part	
16	<a href="#">9789005025</a> Screw, panhead (a93)	<a href="#">Buy now</a>
17	<a href="#">7044826100</a> Arm, throttle	<a href="#">Buy now</a>
18	<a href="#">EL84819100</a> Washer 1	<a href="#">Buy now</a>
19	<a href="#">7044828300</a> Screw,panhead (eg9)	<a href="#">Buy now</a>
20	<a href="#">9738006018</a> Bolt (fj0)	<a href="#">Buy now</a>
21	<a href="#">7034834501</a> Cable end, remote control 2	<a href="#">Buy now</a>
22	<a href="#">7044828700</a> Washer 1	<a href="#">Buy now</a>
23	<a href="#">9538005600</a> Nut, hexagon (663)	<a href="#">Buy now</a>
24	<a href="#">EL84827100</a> Arm, shift	<a href="#">Buy now</a>
25	<a href="#">EL84812700</a> Screw 1	<a href="#">Buy now</a>
26	<a href="#">7034835800</a> Anchor, cable	<a href="#">Buy now</a>
27	<a href="#">EL84823100</a> Housing, gear	<a href="#">Buy now</a>
28	<a href="#">EL84824100</a> Arm, drive	<a href="#">Buy now</a>
29	<a href="#">EL84825400</a> Stopper Throttle Adjusting	<a href="#">Buy now</a>
30	<a href="#">9278006020</a> Screw flat head	<a href="#">Buy now</a>

## Remote Control Assy 2



Ref	Part	
31	<a href="#">EL84815800</a> Spring 1	<a href="#">Buy now</a>
32	<a href="#">9858004006</a> Screw, pan head (7h3)	<a href="#">Buy now</a>
33	<a href="#">9878005018</a> Screw (704)	<a href="#">Buy now</a>
34	<a href="#">EL84824400</a> Spring, free accel.	<a href="#">Buy now</a>
35	<a href="#">EL84824500</a> Plate, lock	<a href="#">Buy now</a>
36	<a href="#">7044822200</a> Grip, control lever	<a href="#">Buy now</a>
37	<a href="#">7048259400</a> Clamp	<a href="#">Buy now</a>
38	<a href="#">7044822800</a> Holder, switch	<a href="#">Buy now</a>
39	<a href="#">7048256301</a> Trim & tilt switch assembly	<a href="#">Buy now</a>
40	<a href="#">7044822900</a> Grip, control lever 2	<a href="#">Buy now</a>
41	<a href="#">9299005300</a> Washer, tooth	<a href="#">Buy now</a>
42	<a href="#">9538006600</a> Nut(661)	<a href="#">Buy now</a>
43	<a href="#">7014824800</a> Roller, free accel	<a href="#">Buy now</a>
44	<a href="#">7034823800</a> Spring, detent	<a href="#">Buy now</a>
45	<a href="#">EL84823200</a> Gear 1	<a href="#">Buy now</a>

# Remote Control Assy 2

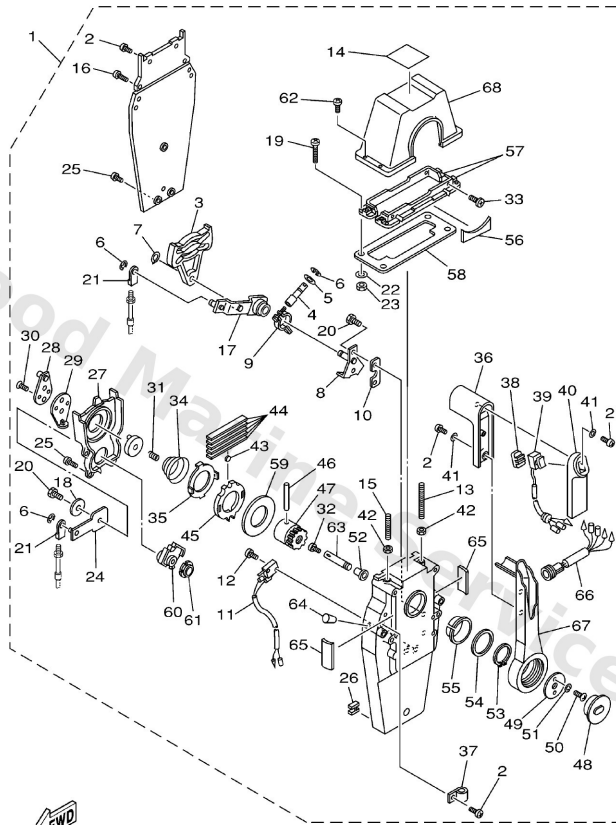


6X10100-1050

**D4**

Ref	Part	
46	<a href="#">EL84816400</a> Pin 2	<a href="#">Buy now</a>
47	<a href="#">7044824200</a> Shaft, drive	<a href="#">Buy now</a>
48	<a href="#">7044822500</a> Cover	<a href="#">Buy now</a>
49	<a href="#">7044819200</a> Washer 2	<a href="#">Buy now</a>
50	<a href="#">9789006018</a> Screw, pan head(6e5)	<a href="#">Buy now</a>
51	<a href="#">9299006300</a> Washer, tooth	<a href="#">Buy now</a>
52	<a href="#">7024826300</a> Bushing 4	<a href="#">Buy now</a>
53	<a href="#">EL84827900</a> Circlip 2	<a href="#">Buy now</a>
54	<a href="#">7044819300</a> Washer 3	<a href="#">Buy now</a>
55	<a href="#">EL84823400</a> Bushing 1	<a href="#">Buy now</a>
56	<a href="#">7044821900</a> Cover, lead	<a href="#">Buy now</a>
57	<a href="#">7044814400</a> Plate, stopper 2	<a href="#">Buy now</a>
58	<a href="#">7044817600</a> Grommet	<a href="#">Buy now</a>
59	<a href="#">7034819200</a> Washer 2	<a href="#">Buy now</a>
60	<a href="#">EL84823300</a> Gear 2	<a href="#">Buy now</a>

# Remote Control Assy 2

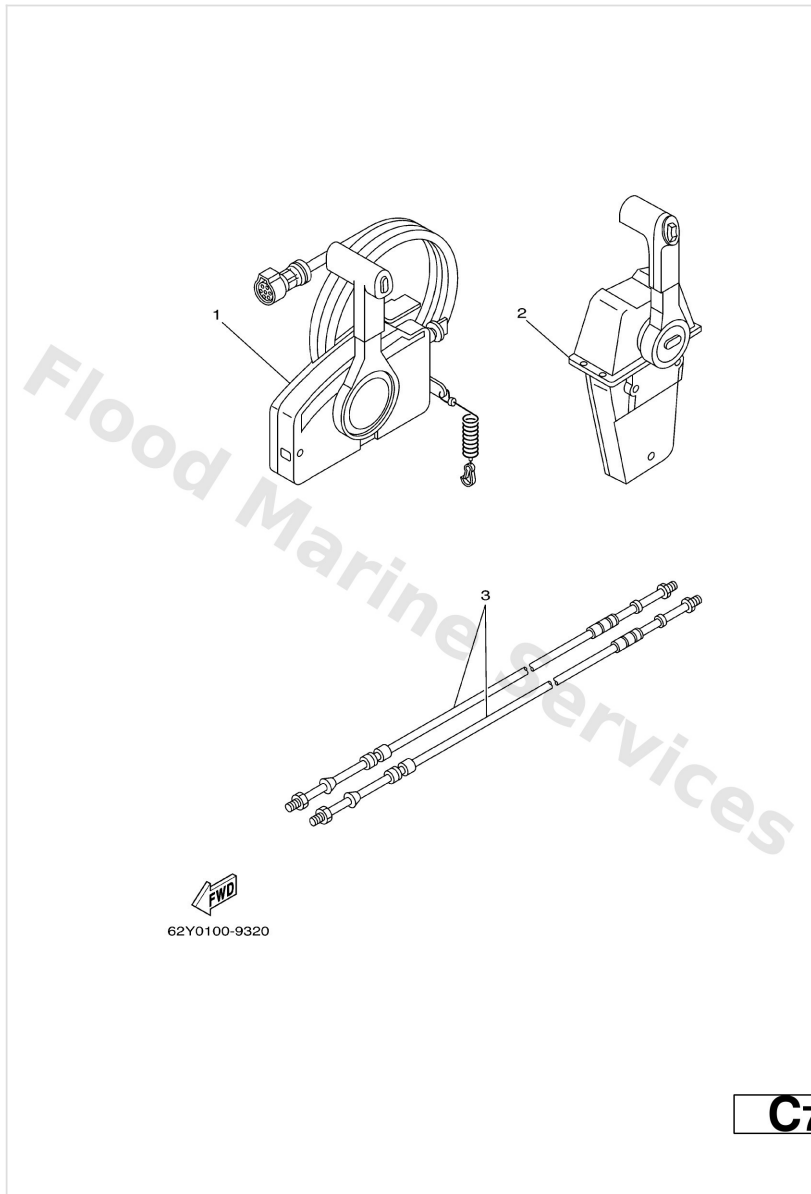


6X10100-1050

D4

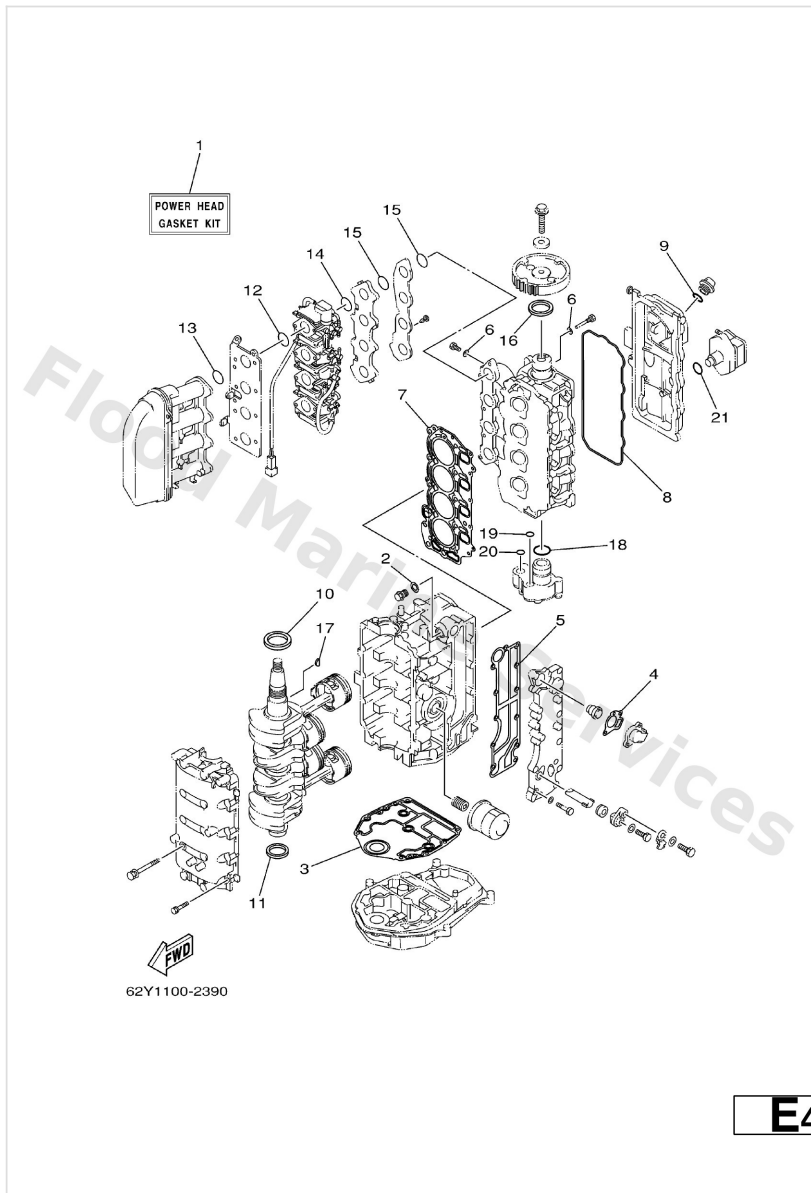
Ref	Part	
61	<a href="#">7024823500</a> Bushing	<a href="#">Buy now</a>
62	<a href="#">7044828200</a> Screw 2	<a href="#">Buy now</a>
63	<a href="#">EL84815310</a> Shaft, free accel.	<a href="#">Buy now</a>
64	<a href="#">7044816600</a> Plug	<a href="#">Buy now</a>
65	<a href="#">7044828400</a> Grommet	<a href="#">Buy now</a>
66	<a href="#">7048254110</a> Extension, wire lead	<a href="#">Buy now</a>
67	<a href="#">7044822100</a> Lever control	<a href="#">Buy now</a>
68	<a href="#">7044811900</a> Cover	<a href="#">Buy now</a>

# Remote Control Box



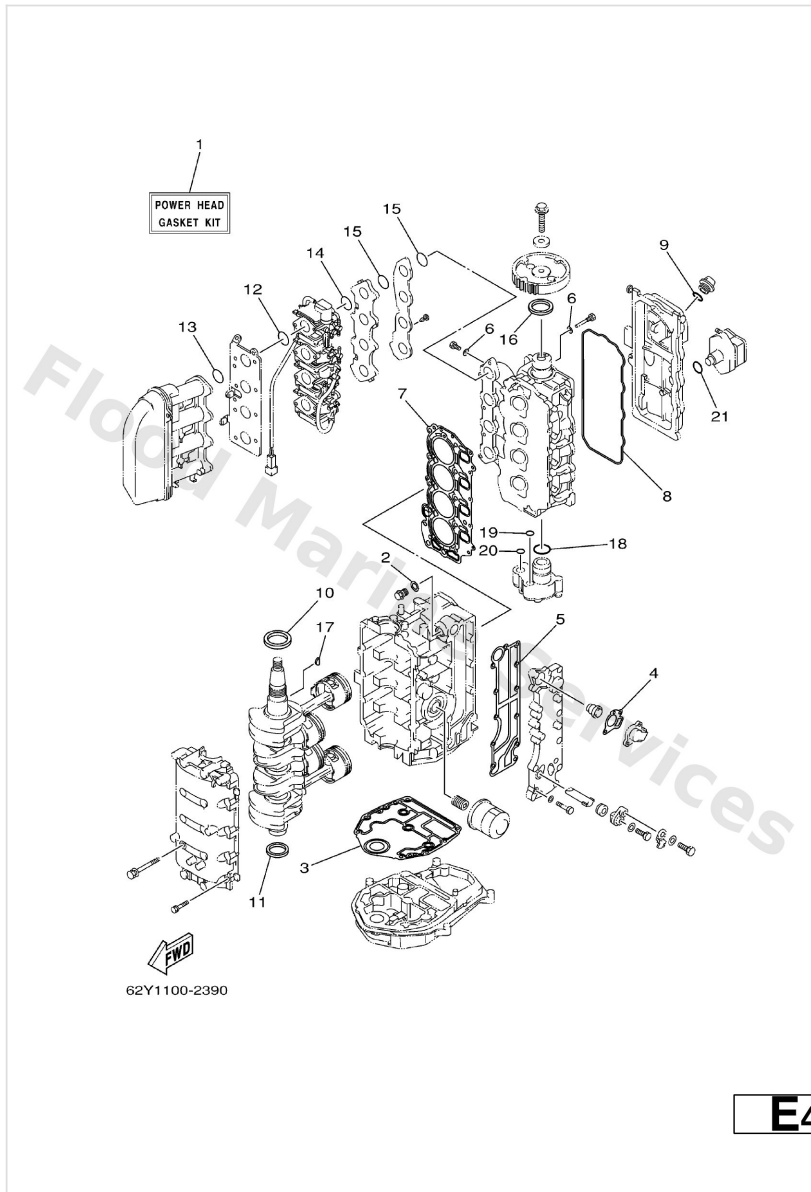
Ref	Part	
1	<a href="#">7034820517</a> Remote control assembly (10p, ptt) AP WITH PT/T SW.	<a href="#">Buy now</a>
2	<a href="#">7044820514</a> 704 single top mount (mec rc) AP WITH PT/T SW.	<a href="#">Buy now</a>
3	<a href="#">7014831090</a> Cable, Remote Control L=11F UR	<a href="#">Buy now</a>
3	<a href="#">7014832000</a> Cable, Remote Control L=12F UR	<a href="#">Buy now</a>
3	<a href="#">7014832020</a> Cable, Remote Control L=13F UR	<a href="#">Buy now</a>
3	<a href="#">7014832050</a> Cable, Remote Control L=15F UR	<a href="#">Buy now</a>

# Repair Kit 1



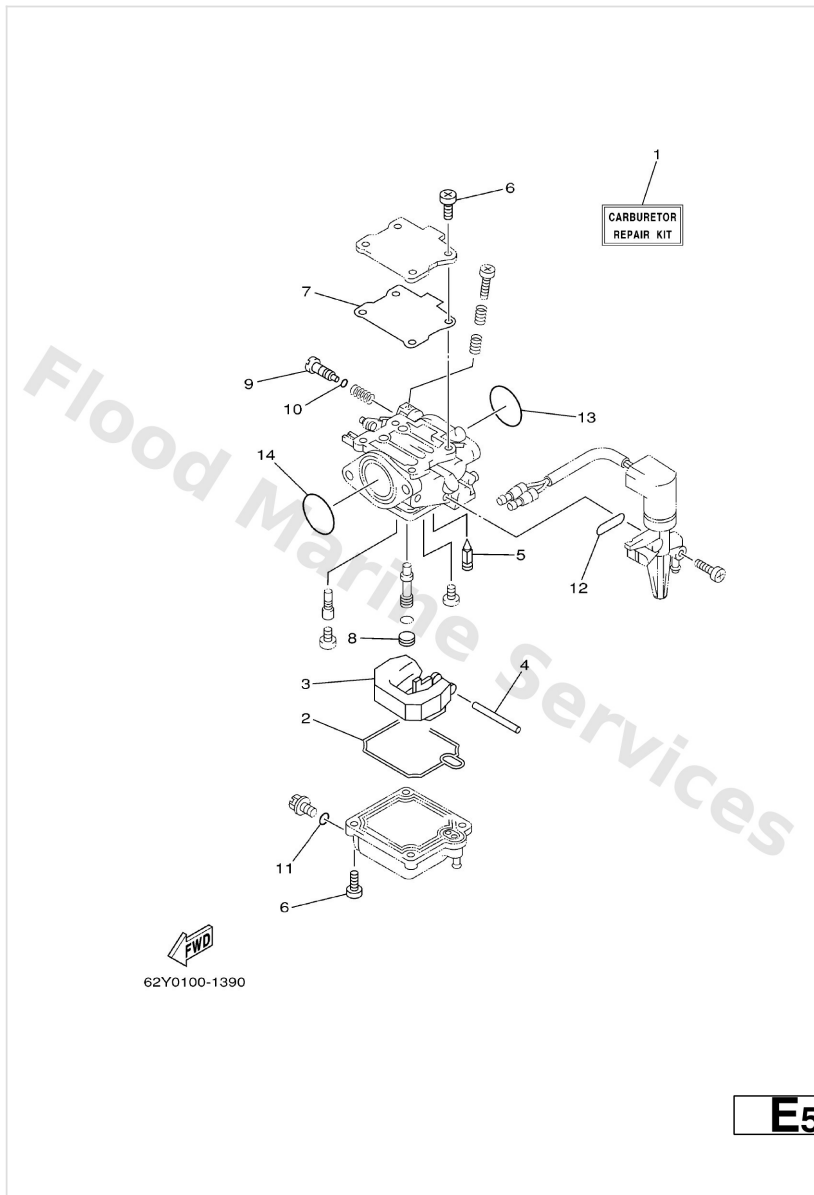
Ref	Part	
1	<a href="#">62YW000111</a> -	<a href="#">Buy now</a>
2	<a href="#">9043014115</a> Gasket (663)	<a href="#">Buy now</a>
3	<a href="#">69W1135100</a> Gasket, cylinder	<a href="#">Buy now</a>
4	<a href="#">62Y1241400</a> Gasket, cover	<a href="#">Buy now</a>
5	<a href="#">62Y4111400</a> Gasket, exhaust outer cover	<a href="#">Buy now</a>
6	<a href="#">9043006014</a> Gasket 256113960000	<a href="#">Buy now</a>
7	<a href="#">62Y1118100</a> Gasket, cylinder head 1	<a href="#">Buy now</a>
8	<a href="#">62Y1135600</a> Seal, cylinder 2	<a href="#">Buy now</a>
9	<a href="#">9321024M79</a> O-ring	<a href="#">Buy now</a>
10	<a href="#">9310243M42</a> Oil seal(62y)	<a href="#">Buy now</a>
11	<a href="#">9310135002</a> Oil seal	<a href="#">Buy now</a>
12	<a href="#">9321035M86</a> O-ring(612)	<a href="#">Buy now</a>
13	<a href="#">9321038MH3</a> O-ring(62y)	<a href="#">Buy now</a>
14	<a href="#">9321030MH4</a> O-ring(62y)	<a href="#">Buy now</a>
16	<a href="#">9310237M40</a> Oil seal(62y)	<a href="#">Buy now</a>

# Repair Kit 1



Ref	Part	
17	<a href="#">9028004M06</a> Key, woodruff(6a1)	<a href="#">Buy now</a>
18	<a href="#">9321033MH2</a> O-ring(62y)	<a href="#">Buy now</a>
19	<a href="#">9321012MG9</a> O-ring(62y)	<a href="#">Buy now</a>
20	<a href="#">9321014515</a> O-ring (11h)	<a href="#">Buy now</a>

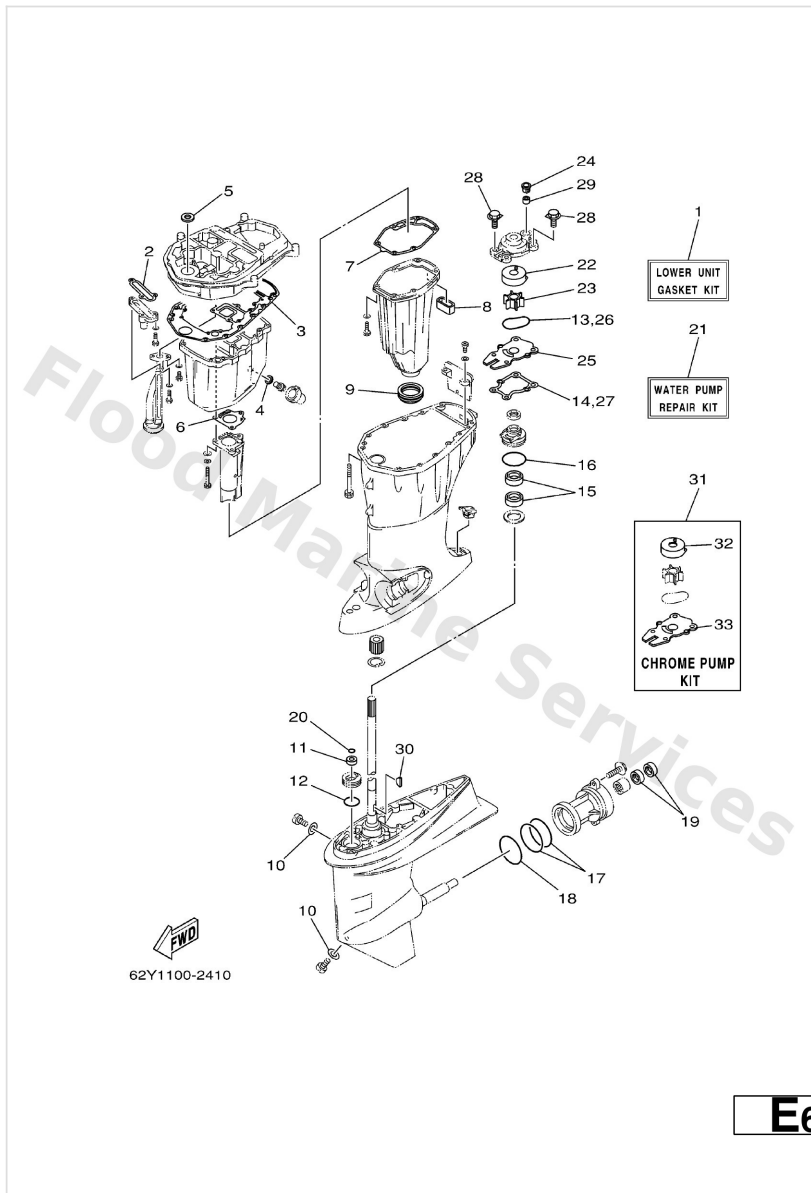
# Repair Kit 2



Ref	Part	
1	<a href="#">62YW009310</a> Carburetor repair kit	<a href="#">Buy now</a>
2	<a href="#">62Y1438430</a> Gasket, float chamber	<a href="#">Buy now</a>
3	<a href="#">6L21438500</a> Float	<a href="#">Buy now</a>
4	<a href="#">6E51438601</a> Pin, float	<a href="#">Buy now</a>
5	<a href="#">62Y1439200</a> Valve, needle	<a href="#">Buy now</a>
6	<a href="#">62Y1432100</a> Screw, throttle	<a href="#">Buy now</a>
7	<a href="#">62Y1439930</a> Valve, bimetal	<a href="#">Buy now</a>
8	<a href="#">62Y1435530</a> Plug	<a href="#">Buy now</a>
9	<a href="#">62Y1432330</a> Screw, air adjusting	<a href="#">Buy now</a>
10	<a href="#">2T41439700</a> O-ring	<a href="#">Buy now</a>
11	<a href="#">6521439700</a> Ring, o	<a href="#">Buy now</a>
12	<a href="#">62Y1439830</a> Gasket	<a href="#">Buy now</a>
13	<a href="#">9321030MH4</a> O-ring(62y)	<a href="#">Buy now</a>
14	<a href="#">9321035M86</a> O-ring(612)	<a href="#">Buy now</a>

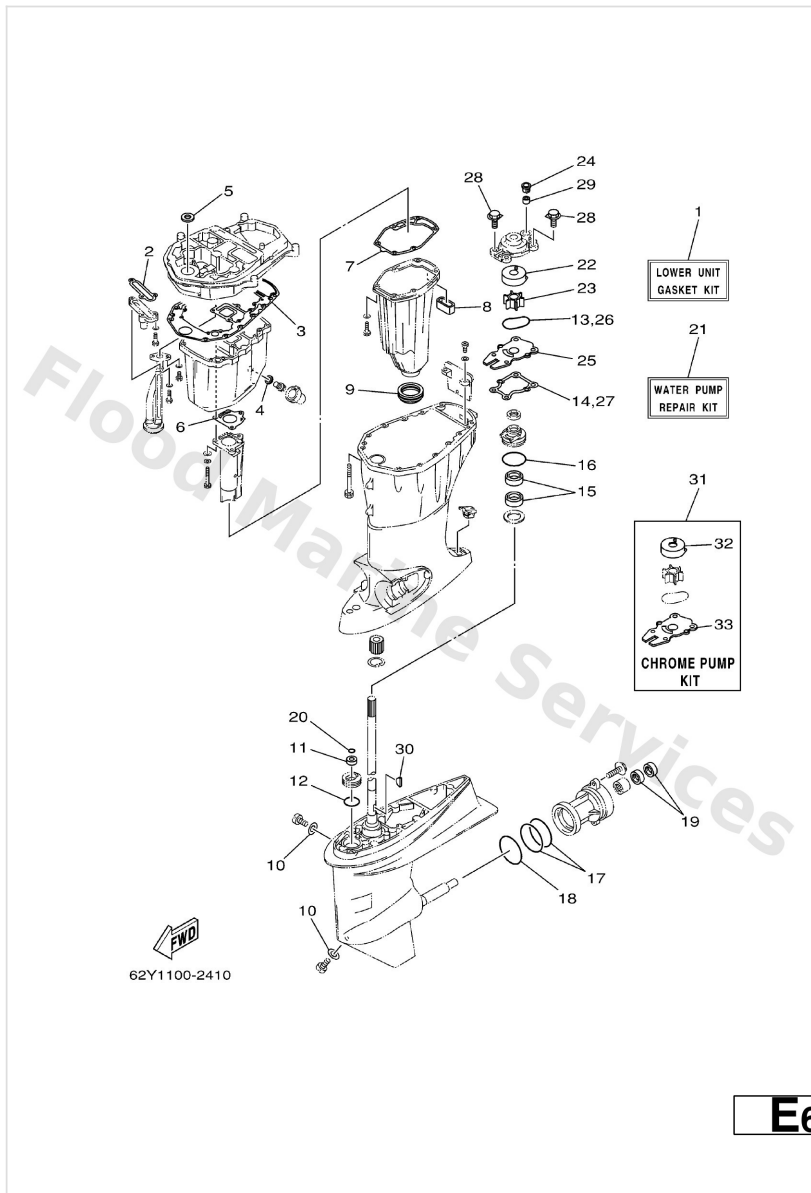


# Repair Kit 3



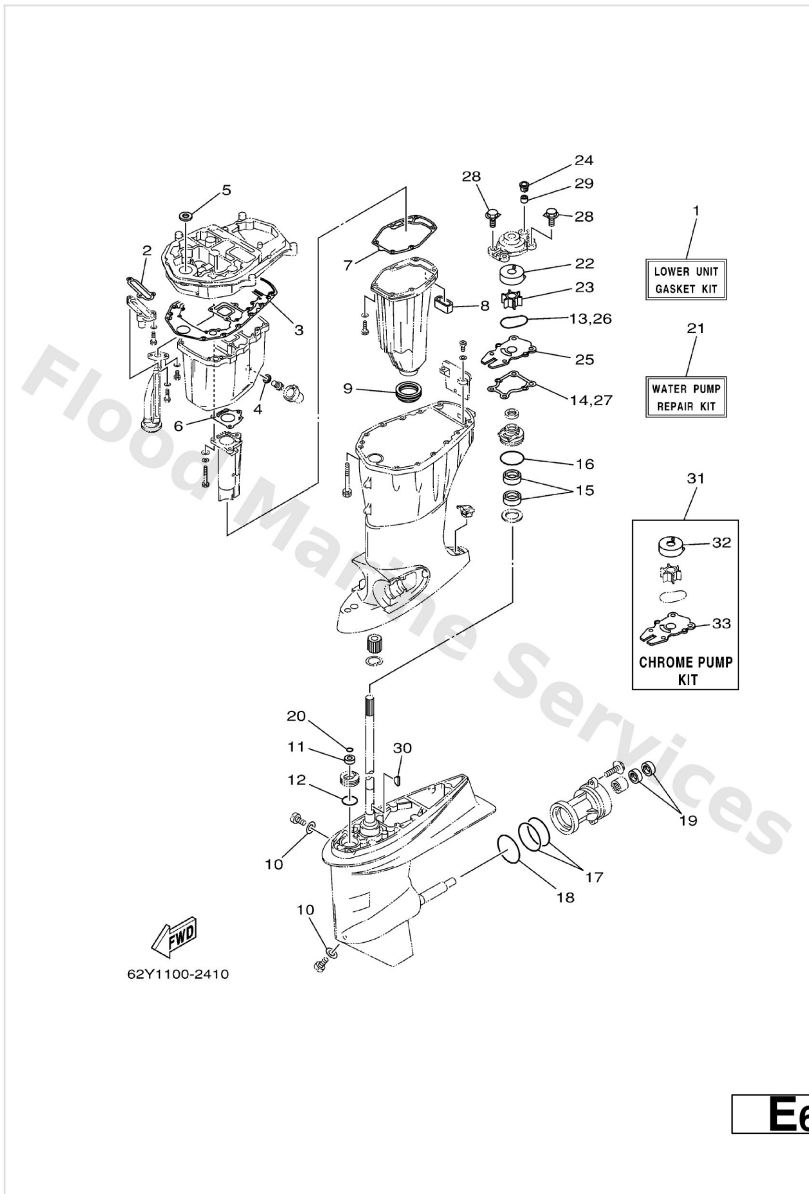
Ref	Part	
1	<a href="#">62YW000122</a> Lower unit gasket kit	<a href="#">Buy now</a>
2	<a href="#">62Y1347500</a> Gasket	<a href="#">Buy now</a>
3	<a href="#">69W1531200</a> Gasket, oil pan	<a href="#">Buy now</a>
4	<a href="#">9043014M09</a> Gasket	<a href="#">Buy now</a>
5	<a href="#">9310318011</a> Oil seal	<a href="#">Buy now</a>
6	<a href="#">67C4113300</a> Gasket, exhaust manifold 1	<a href="#">Buy now</a>
7	<a href="#">62Y4113401</a> Gasket, exhaust manifold	<a href="#">Buy now</a>
8	<a href="#">62Y4512700</a> Seal	<a href="#">Buy now</a>
9	<a href="#">6634512300</a> Gasket, muffler	<a href="#">Buy now</a>
10	<a href="#">9043008020</a> Gasket	<a href="#">Buy now</a>
11	<a href="#">9310609014</a> Oil seal	<a href="#">Buy now</a>
12	<a href="#">9321033MG4</a> O-ring	<a href="#">Buy now</a>
13	<a href="#">9321059MG7</a> O-ring	<a href="#">Buy now</a>
14	<a href="#">63D4431600</a> Gasket, water pump	<a href="#">Buy now</a>
15	<a href="#">9310125M57</a> Oil seal	<a href="#">Buy now</a>

# Repair Kit 3



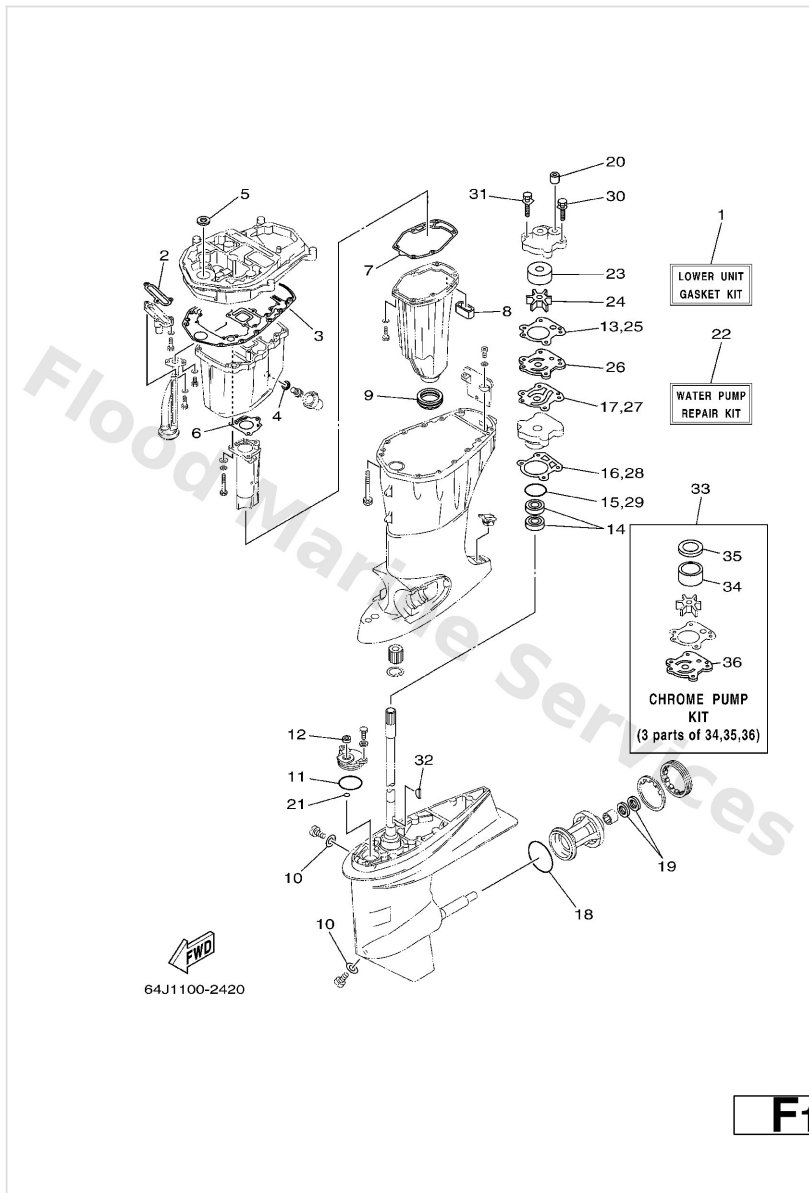
Ref	Part	
16	<a href="#">9321048MG8</a> O-ring	<a href="#">Buy now</a>
17	<a href="#">9321074MG5</a> O-ring (sea)	<a href="#">Buy now</a>
18	<a href="#">9321069MG6</a> O-ring	<a href="#">Buy now</a>
19	<a href="#">9310122M00</a> Oil seal (22x36x6-663)	<a href="#">Buy now</a>
20	<a href="#">9321007003</a> O-ring (11m)	<a href="#">Buy now</a>
21	<a href="#">63DW007801</a> Water pump repair kit	<a href="#">Buy now</a>
22	<a href="#">63D4432200</a> Insert, cartridge	<a href="#">Buy now</a>
23	<a href="#">6H34435200</a> Impellar	<a href="#">Buy now</a>
24	<a href="#">63D4431200</a> Cover, water pump housing	<a href="#">Buy now</a>
25	<a href="#">63D4432300</a> Outer plate, cartridge	<a href="#">Buy now</a>
28	<a href="#">9011908M15</a> Bolt, with washer(62w)	<a href="#">Buy now</a>
29	<a href="#">6634436600</a> Damper, water seal 2	<a href="#">Buy now</a>
30	<a href="#">9028003024</a> Key, woodruff(662)	<a href="#">Buy now</a>
31	<a href="#">63DW00780A</a> Chrome pump kit	<a href="#">Buy now</a>
32	<a href="#">63D4432240</a> Insert, cartridge	<a href="#">Buy now</a>

# Repair Kit 3



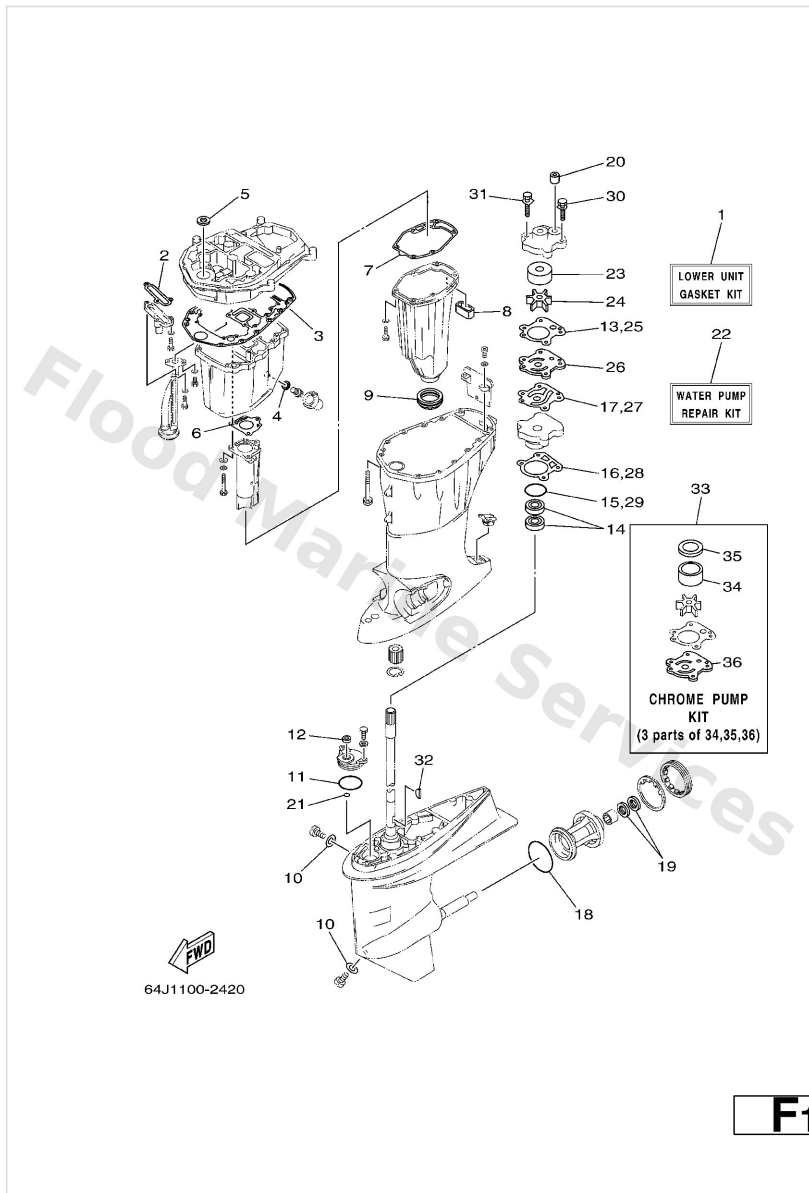
Ref	Part	
33	<a href="#">63D4432340</a> Outer plate, cartridge	<a href="#">Buy now</a>

# Repair Kit 4



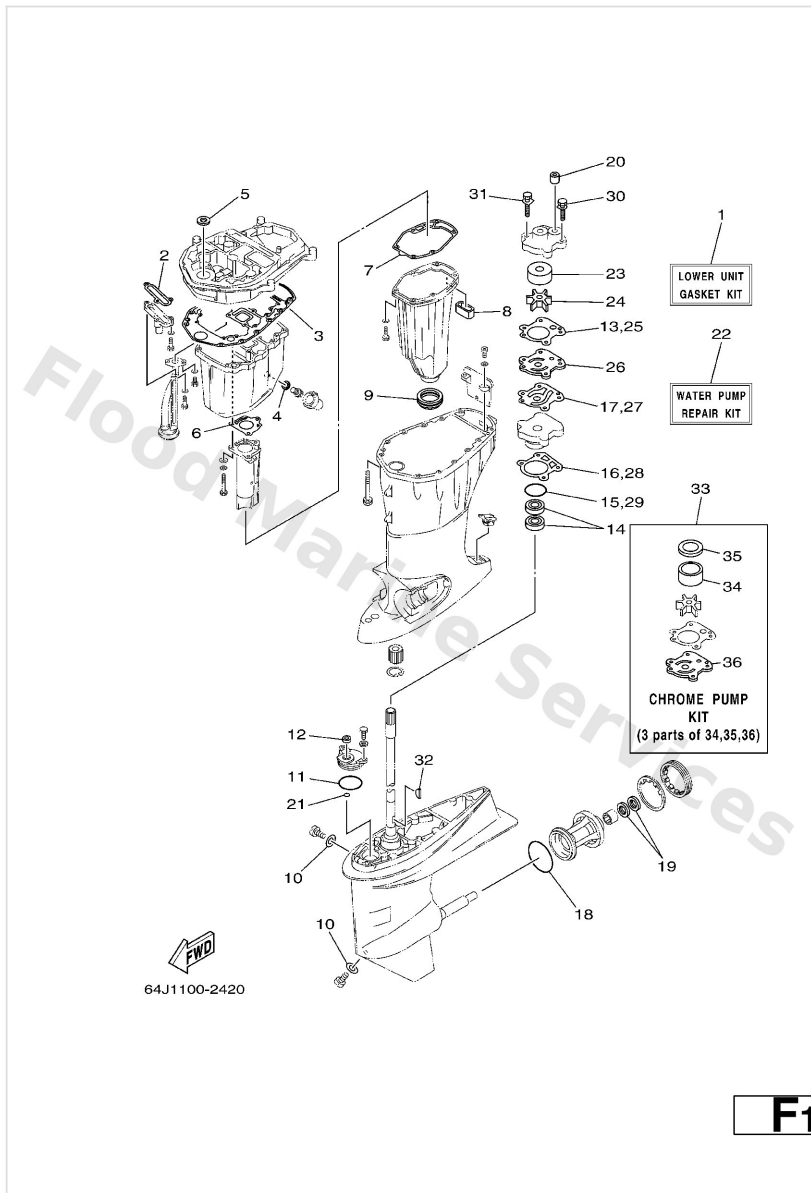
Ref	Part	
1	<a href="#">64JW000122</a> -	<a href="#">Buy now</a>
1	<a href="#">64JW00012B</a> Lower unit gasket kit	<a href="#">Buy now</a>
2	<a href="#">62Y1347500</a> Gasket	<a href="#">Buy now</a>
3	<a href="#">69W1531200</a> Gasket, oil pan	<a href="#">Buy now</a>
4	<a href="#">9043014M09</a> Gasket	<a href="#">Buy now</a>
5	<a href="#">9310318011</a> Oil seal	<a href="#">Buy now</a>
6	<a href="#">64J4113310</a> Gasket, exhaust manifold 1	<a href="#">Buy now</a>
6	<a href="#">67C4113300</a> Gasket, exhaust manifold 1	<a href="#">Buy now</a>
7	<a href="#">62Y4113401</a> Gasket, exhaust manifold	<a href="#">Buy now</a>
8	<a href="#">62Y4512700</a> Seal	<a href="#">Buy now</a>
9	<a href="#">6634512300</a> Gasket, muffler	<a href="#">Buy now</a>
10	<a href="#">9043008020</a> Gasket	<a href="#">Buy now</a>
11	<a href="#">9321049046</a> O-ring (620)	<a href="#">Buy now</a>
12	<a href="#">9310609014</a> Oil seal	<a href="#">Buy now</a>
13	<a href="#">6H344315A0</a> Gasket,water pump 1	<a href="#">Buy now</a>

# Repair Kit 4



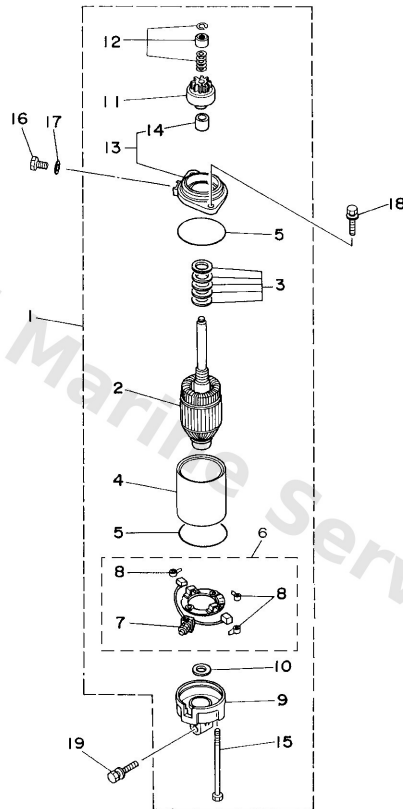
Ref	Part	
14	<a href="#">9310123070</a> Oil seal (663)	<a href="#">Buy now</a>
15	<a href="#">9321046044</a> O-ring	<a href="#">Buy now</a>
16	<a href="#">68844316A0</a> Gasket,water pump 2	<a href="#">Buy now</a>
17	<a href="#">6H344324A0</a> Gasket,cartridge Out,plate	<a href="#">Buy now</a>
18	<a href="#">9321086M39</a> O-ring (6e5)	<a href="#">Buy now</a>
19	<a href="#">9310125M03</a> Oil seal	<a href="#">Buy now</a>
20	<a href="#">6634436600</a> Damper, water seal 2	<a href="#">Buy now</a>
21	<a href="#">9321007003</a> O-ring (11m)	<a href="#">Buy now</a>
22	<a href="#">6H3W007802</a> Water pump repair kit	<a href="#">Buy now</a>
23	<a href="#">6634432200</a> Insert, cartridge	<a href="#">Buy now</a>
24	<a href="#">6H34435200</a> Impellar	<a href="#">Buy now</a>
26	<a href="#">6H34432300</a> Outer plate, cartridge	<a href="#">Buy now</a>
30	<a href="#">9011908M14</a> Bolt, with washer	<a href="#">Buy now</a>
31	<a href="#">9011908M33</a> Bolt, with washer(6b0)	<a href="#">Buy now</a>
32	<a href="#">9028003M03</a> Key, woodruff (697)	<a href="#">Buy now</a>

# Repair Kit 4



Ref	Part	
33	<a href="#">6H3W00780A</a> Chrome pump kit	<a href="#">Buy now</a>
34	<a href="#">6704432201</a> Insert, cartridge	<a href="#">Buy now</a>
35	<a href="#">6704432100</a> Inner plate, cartridge	<a href="#">Buy now</a>
36	<a href="#">6H34432340</a> Outer plate, cartridge	<a href="#">Buy now</a>

# Starting Motor

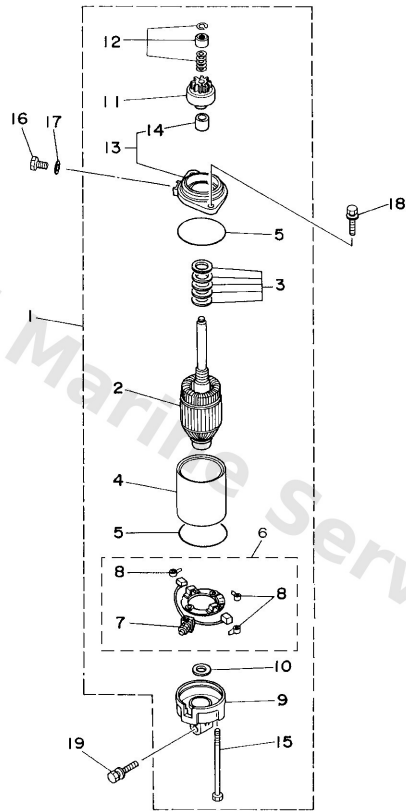


FWD  
62Y001051501

**D4**

Ref	Part	
1	<a href="#">6E58180012</a> Starting motor assembly	<a href="#">Buy now</a>
2	<a href="#">6E58185011</a> Armature assembly	<a href="#">Buy now</a>
3	<a href="#">6E58180910</a> Washer Kit	<a href="#">Buy now</a>
4	<a href="#">6E58181010</a> Stator assembly	<a href="#">Buy now</a>
5	<a href="#">6E58184710</a> O-ring	<a href="#">Buy now</a>
6	<a href="#">6E58184010</a> Brush holder ass'y	<a href="#">Buy now</a>
7	<a href="#">6E58180110</a> Brush ass'y	<a href="#">Buy now</a>
8	<a href="#">6E58181310</a> Spring Brush	<a href="#">Buy now</a>
9	<a href="#">6E58182011</a> Rear Bracket assembly	<a href="#">Buy now</a>
10	<a href="#">6E58182400</a> Washer 2	<a href="#">Buy now</a>
11	<a href="#">6E58180711</a> Pinion assembly	<a href="#">Buy now</a>
12	<a href="#">61H8185700</a> Retainer	<a href="#">Buy now</a>
13	<a href="#">6E58183010</a> Front Bracket assembly	<a href="#">Buy now</a>
14	<a href="#">6888183100</a> Metal, front	<a href="#">Buy now</a>
15	<a href="#">6E58182610</a> Bolt	<a href="#">Buy now</a>

# Starting Motor



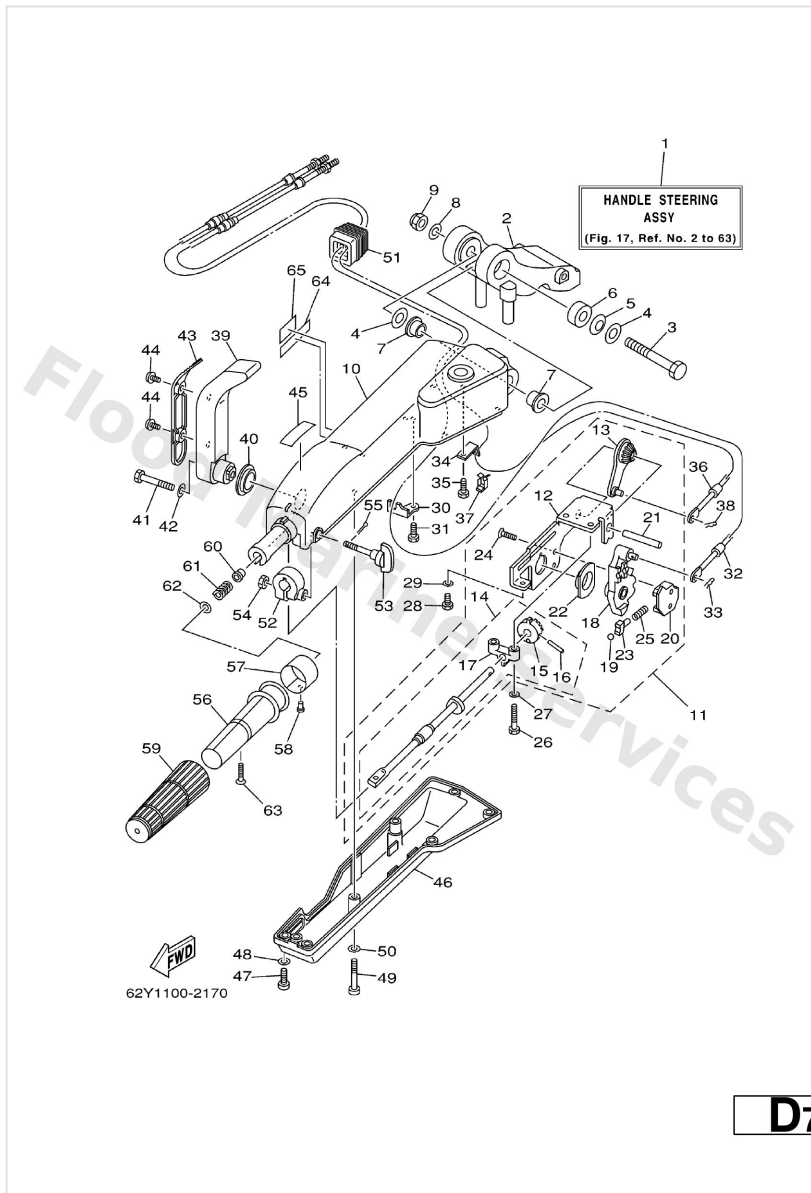
62Y001051501

**D4**

Ref	Part	
16	<a href="#">9709508016</a> Bolt, hexagon deep recess	<a href="#">Buy now</a>
17	<a href="#">9299508600</a> Washer, plain (663)	<a href="#">Buy now</a>
18	<a href="#">9011908M76</a> Bolt, with washer(6e5)	<a href="#">Buy now</a>
19	<a href="#">9011908M77</a> Bolt, with washer(6e5)	<a href="#">Buy now</a>

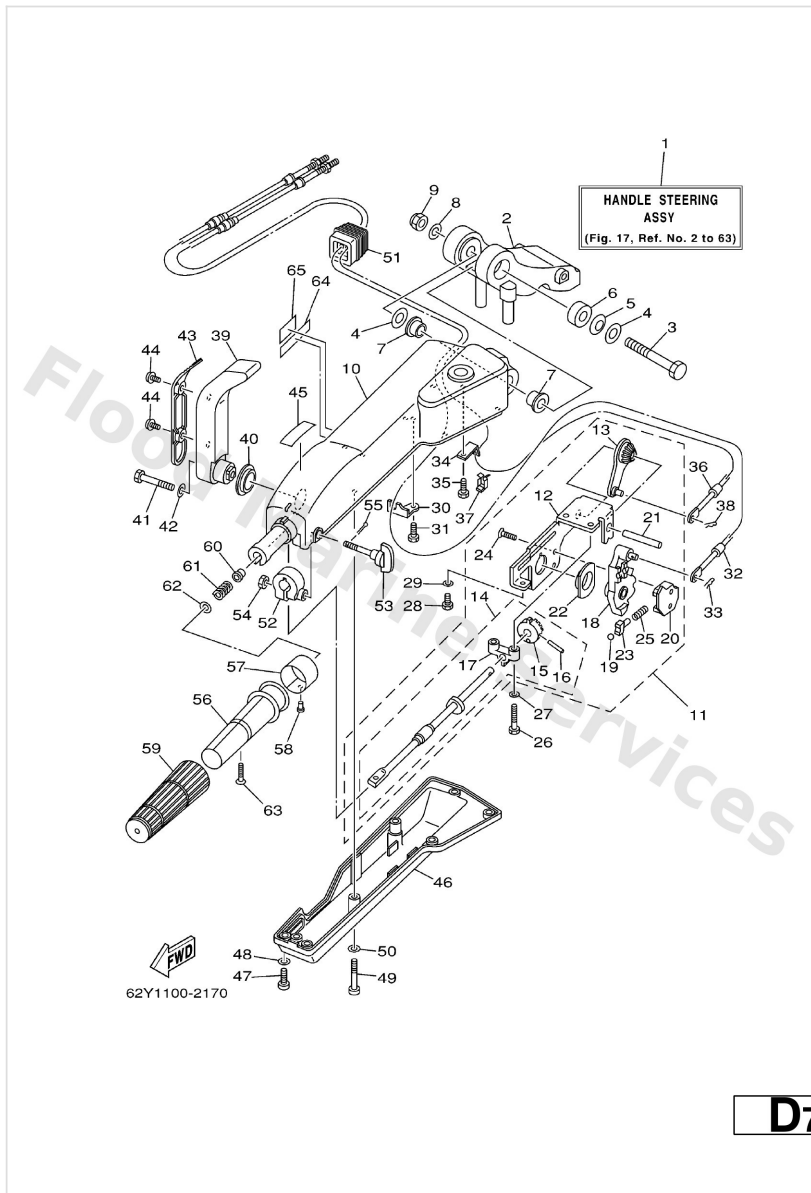


# Steering



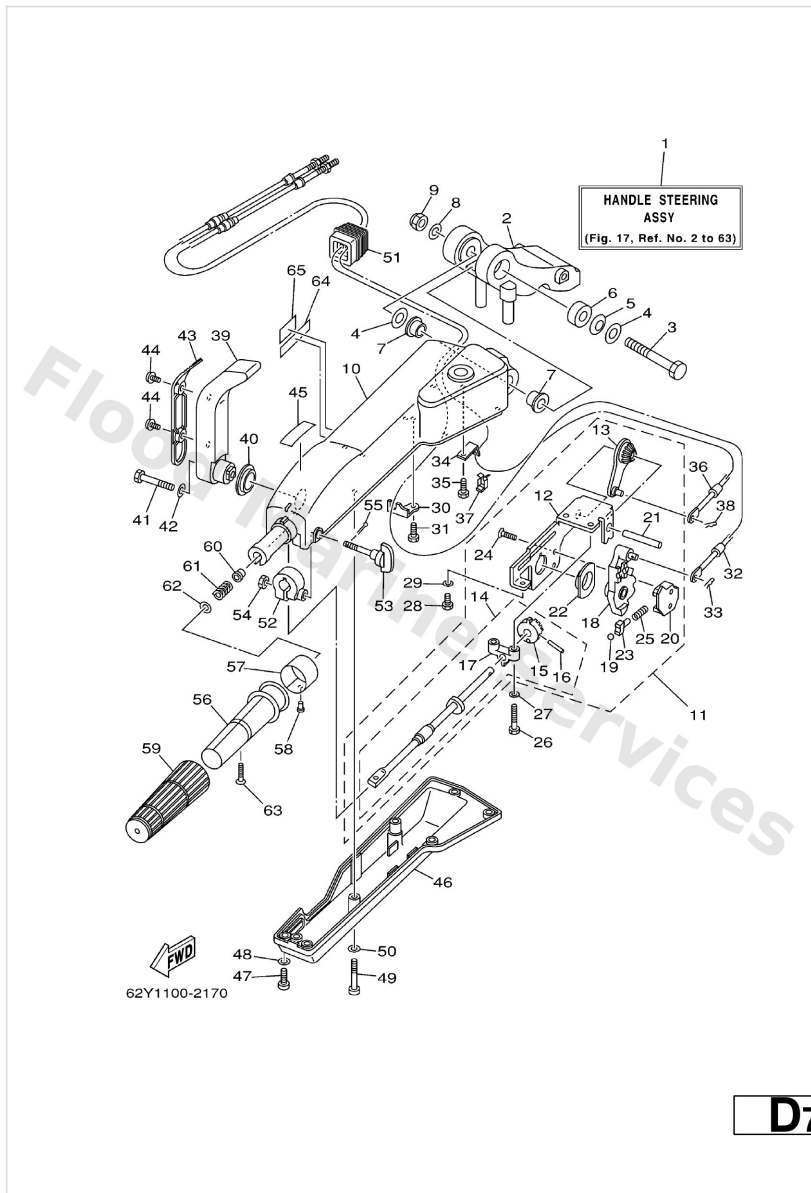
Ref	Part	
3	<a href="#">9010112M09</a> Bolt	<a href="#">Buy now</a>
4	<a href="#">9299012200</a> Ybs66-12 washer,plain	<a href="#">Buy now</a>
5	<a href="#">9020612M22</a> Washer, wave(6b0)	<a href="#">Buy now</a>
6	<a href="#">9038712M02</a> Collar(6b0)	<a href="#">Buy now</a>
7	<a href="#">9038612M93</a> Bush(6b0)	<a href="#">Buy now</a>
8	<a href="#">9299012600</a> Washer, plate(663)	<a href="#">Buy now</a>
9	<a href="#">9018512M12</a> Nut, self-locking(6e5)	<a href="#">Buy now</a>
11	<a href="#">67C4410000</a> Shift Link assembly	<a href="#">Buy now</a>
12	<a href="#">67C4410400</a> Plate Comp.	<a href="#">Buy now</a>
13	<a href="#">67G4826100</a> Arm, Throttle	<a href="#">Buy now</a>
14	<a href="#">67C4211500</a> Shaft, Steering Handle	<a href="#">Buy now</a>
15	<a href="#">650421520094</a> Gear	<a href="#">Buy now</a>
16	<a href="#">9169030025</a> Pin, spring	<a href="#">Buy now</a>
17	<a href="#">67G4215900</a> Stay	<a href="#">Buy now</a>
18	<a href="#">67C4411300</a> Cam plate, handle	<a href="#">Buy now</a>

# Steering



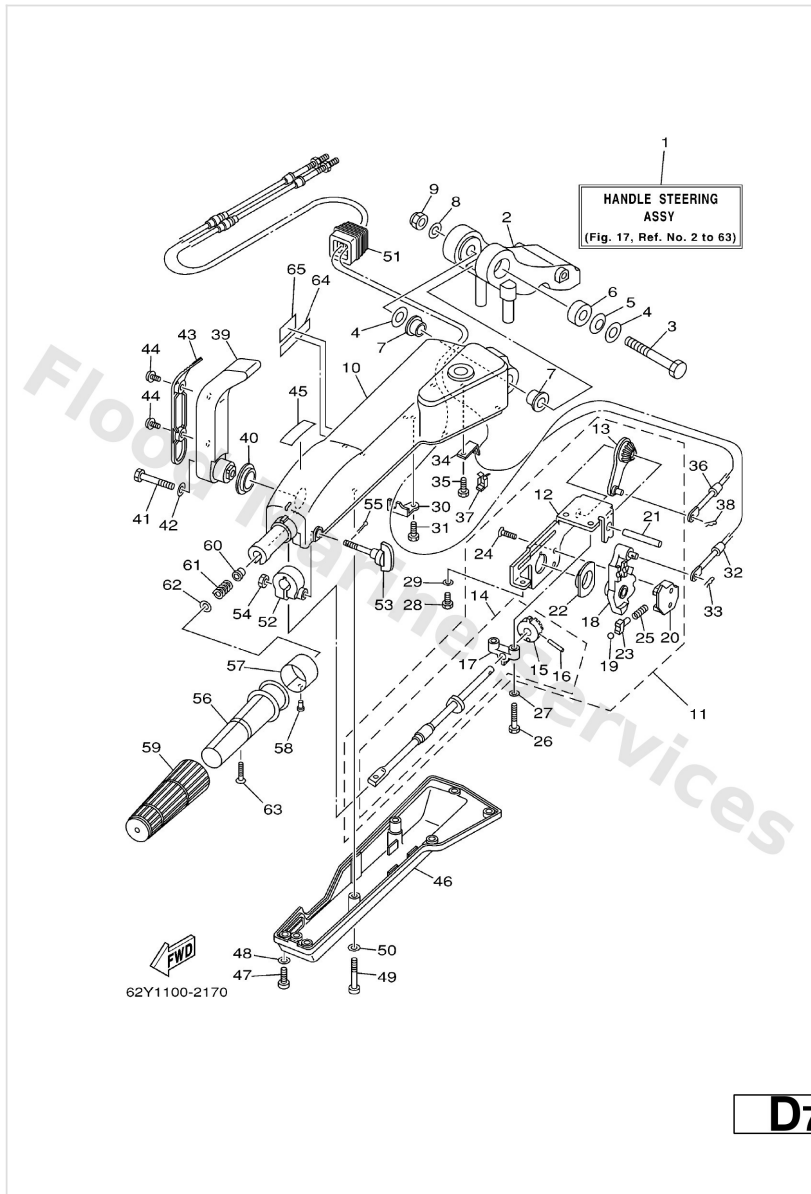
Ref	Part	
19	<a href="#">63D4823600</a> Roller, detent	<a href="#">Buy now</a>
20	<a href="#">67C4811900</a> Cover	<a href="#">Buy now</a>
21	<a href="#">67G4215300</a> Shaft, Throttle Control	<a href="#">Buy now</a>
22	<a href="#">67G4413200</a> Bushing	<a href="#">Buy now</a>
23	<a href="#">63D4823700</a> Adaptor	<a href="#">Buy now</a>
24	<a href="#">9878505014</a> Screw 3	<a href="#">Buy now</a>
25	<a href="#">63D4823800</a> Spring, detent	<a href="#">Buy now</a>
26	<a href="#">9709506030</a> Bolt(jf7)	<a href="#">Buy now</a>
27	<a href="#">9299506600</a> Washer, plain (646)	<a href="#">Buy now</a>
28	<a href="#">9709506014</a> Bolt(gj3)	<a href="#">Buy now</a>
30	<a href="#">67G4853100</a> Bracket Remote Control 1	<a href="#">Buy now</a>
32	<a href="#">67C4832100</a> Cable	<a href="#">Buy now</a>
33	<a href="#">9046810005</a> Pin, hair 6264123500	<a href="#">Buy now</a>
34	<a href="#">66R4853800</a> Clamp, cable 1	<a href="#">Buy now</a>
36	<a href="#">67C2630100</a> Throttle Cable assembly	<a href="#">Buy now</a>

# Steering



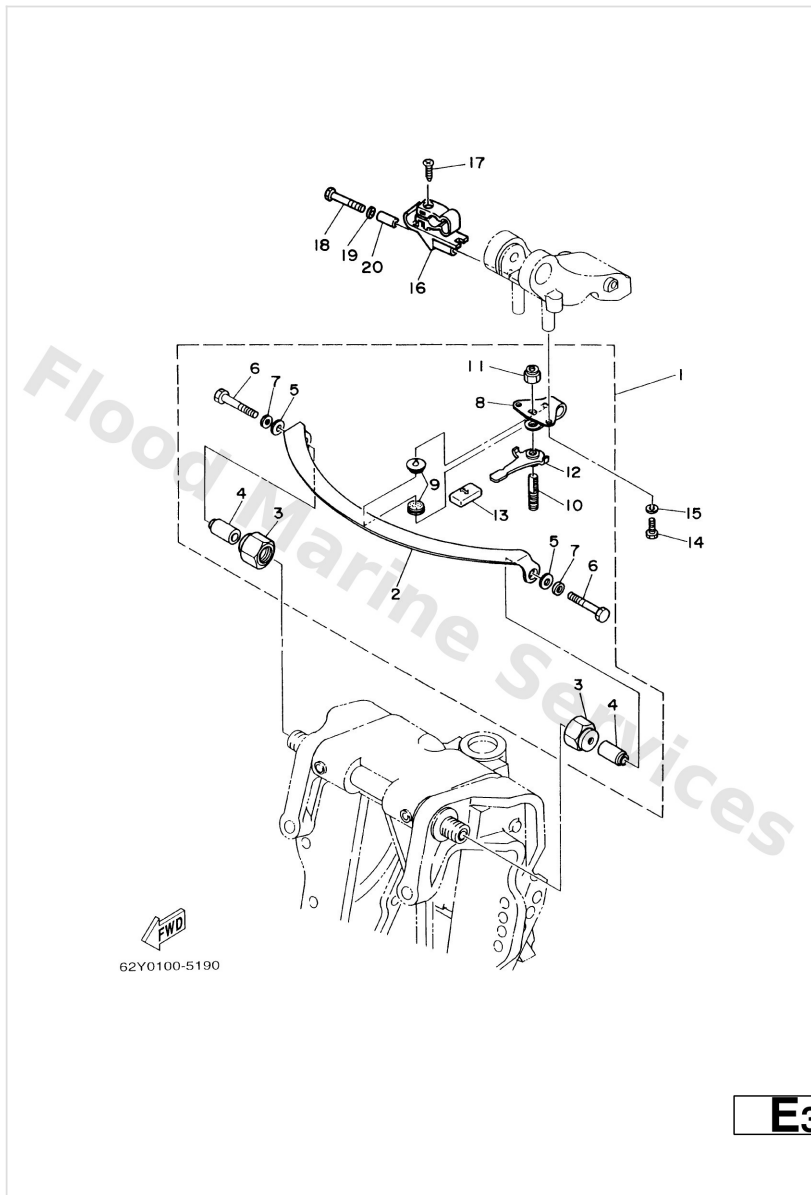
Ref	Part	
37	<a href="#">63D4853800</a> Clamp, cable 1	<a href="#">Buy now</a>
40	<a href="#">9038626MA3</a> Bush	<a href="#">Buy now</a>
41	<a href="#">9709508040</a> Bolt, hexagon	<a href="#">Buy now</a>
42	<a href="#">9299508600</a> Washer, plain (663)	<a href="#">Buy now</a>
43	<a href="#">67G4417300</a> Lever, Shift Control	<a href="#">Buy now</a>
44	<a href="#">9015906M18</a> Screw, with washer(6b0)	<a href="#">Buy now</a>
45	<a href="#">6G84419100</a> Indicator, shift	<a href="#">Buy now</a>
46	<a href="#">67G4213100</a> Cover Handle Steering	<a href="#">Buy now</a>
47	<a href="#">9788506016</a> Screw, pan head(6b0)	<a href="#">Buy now</a>
49	<a href="#">9788506040</a> Screw pan head	<a href="#">Buy now</a>
51	<a href="#">63D4272500</a> Grommet	<a href="#">Buy now</a>
52	<a href="#">63D4212600</a> Friction, steering handle grip	<a href="#">Buy now</a>
53	<a href="#">63D4815400</a> Knob, Throttle	<a href="#">Buy now</a>
54	<a href="#">9538006600</a> Nut(661)	<a href="#">Buy now</a>
55	<a href="#">9149020010</a> Pin, cotter	<a href="#">Buy now</a>

# Steering



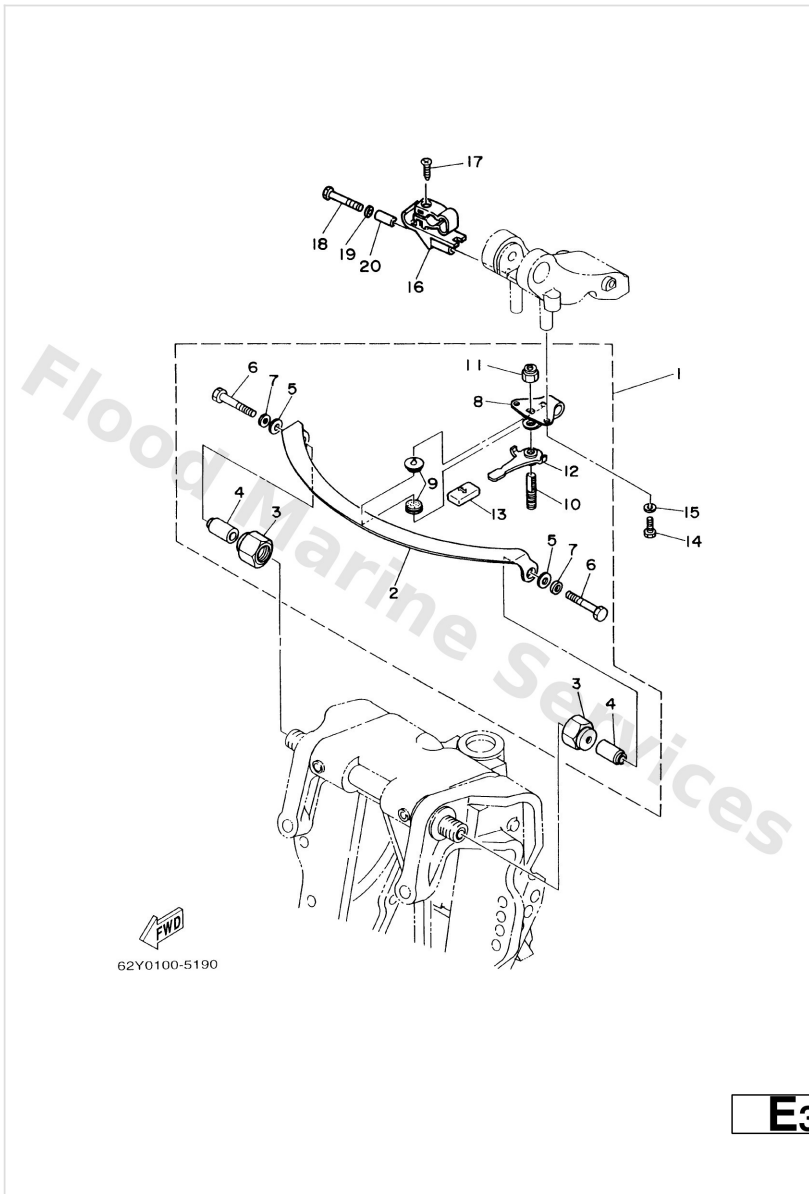
Ref	Part	
56	<a href="#">6644211900</a> Grip, steering handle	<a href="#">Buy now</a>
57	<a href="#">6J04213700</a> Indicator, throttle	<a href="#">Buy now</a>
58	<a href="#">9026902M09</a> Rivet(6I5)	<a href="#">Buy now</a>
59	<a href="#">6G14217700</a> Rubber, handle	<a href="#">Buy now</a>
60	<a href="#">9038608032</a> Bushing (650)	<a href="#">Buy now</a>
61	<a href="#">9050123215</a> Spring (655)	<a href="#">Buy now</a>
62	<a href="#">9290310600</a> Washer, plate	<a href="#">Buy now</a>
63	<a href="#">9014905M13</a> Screw, countersunk	<a href="#">Buy now</a>
64	<a href="#">6E08362741</a> Label, caution 7	<a href="#">Buy now</a>
65	<a href="#">6E08362751</a> - FOR CANADA	<a href="#">Buy now</a>

# Steering Friction



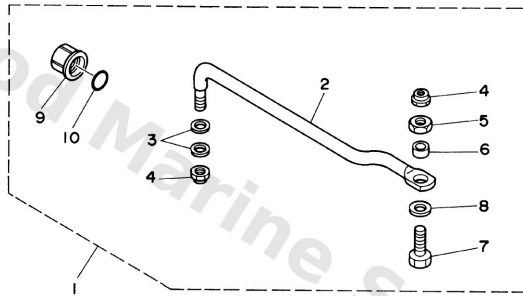
Ref	Part	
1	<a href="#">63D4250800</a> Steering friction assembly	<a href="#">Buy now</a>
2	<a href="#">63D4252700</a> Plate, friction	<a href="#">Buy now</a>
3	<a href="#">63D4254600</a> Nut	<a href="#">Buy now</a>
4	<a href="#">63D4254100</a> Pipe 1	<a href="#">Buy now</a>
5	<a href="#">9020108M01</a> Washer, plate(6I2)	<a href="#">Buy now</a>
6	<a href="#">9709508050</a> Bolt (62k)	<a href="#">Buy now</a>
7	<a href="#">9299508600</a> Washer, plain (663)	<a href="#">Buy now</a>
8	<a href="#">63D4252600</a> Plate, friction	<a href="#">Buy now</a>
9	<a href="#">63D4252800</a> Plate, friction	<a href="#">Buy now</a>
10	<a href="#">63D4256200</a> Steering bracket assembly	<a href="#">Buy now</a>
11	<a href="#">9018510M01</a> Nut, self-locking(62x)	<a href="#">Buy now</a>
12	<a href="#">63D4256100</a> Knob, steering lock	<a href="#">Buy now</a>
13	<a href="#">6824331801</a> Cover	<a href="#">Buy now</a>
14	<a href="#">9709506016</a> Bolt, hexagon deep recess	<a href="#">Buy now</a>
15	<a href="#">9299506100</a> Washer(6a1)	<a href="#">Buy now</a>

# Steering Friction



Ref	Part	
16	<a href="#">62Y8236100</a> Clamp, cord	<a href="#">Buy now</a>
17	<a href="#">9016106M03</a> Screw, tapping(6e7)	<a href="#">Buy now</a>
18	<a href="#">9709506035</a> Bolt(j52)	<a href="#">Buy now</a>
19	<a href="#">9299506600</a> Washer, plain (646)	<a href="#">Buy now</a>
20	<a href="#">9038706M26</a> Collar(61n)	<a href="#">Buy now</a>

# Steering Guide

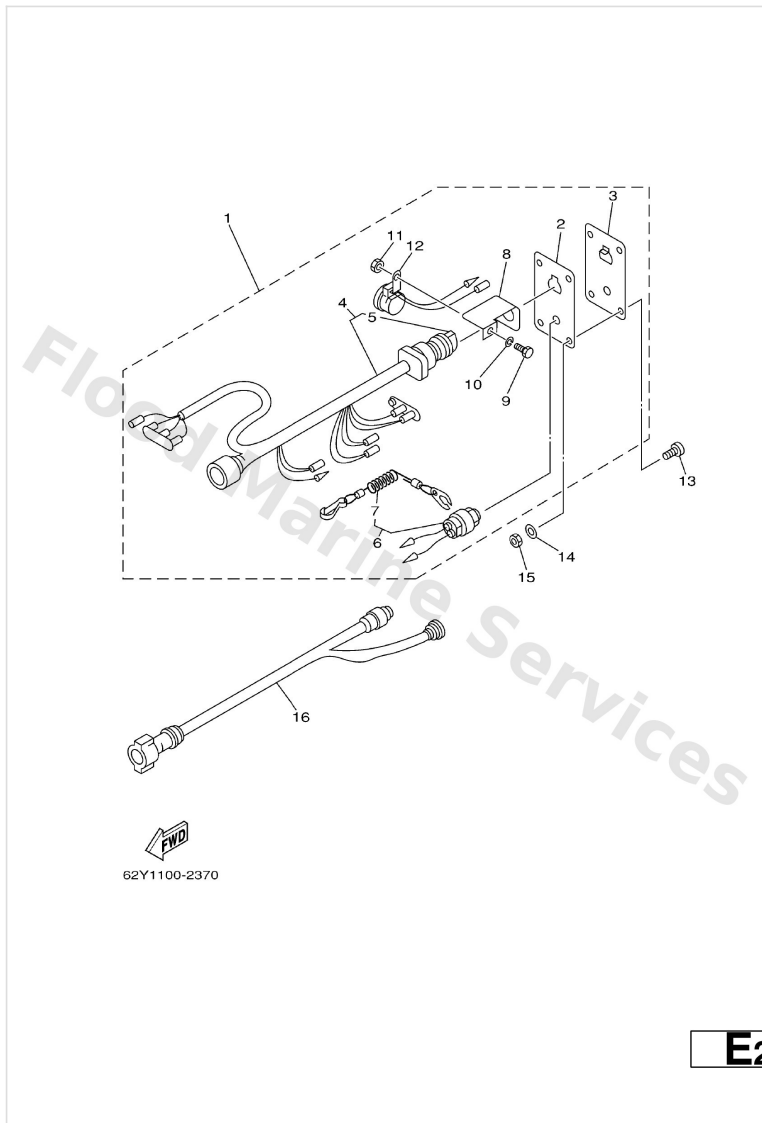


62Y0010-5200

C6

Ref	Part	
1	<a href="#">63D6135000</a> Steering guide attachment kit AP	<a href="#">Buy now</a>
2	<a href="#">63D6135100</a> Rod, steering link	<a href="#">Buy now</a>
3	<a href="#">9020110M20</a> Washer, plate (663)	<a href="#">Buy now</a>
4	<a href="#">9018509M01</a> Nut, nylon (663)	<a href="#">Buy now</a>
5	<a href="#">9017009M03</a> Nut (689)	<a href="#">Buy now</a>
6	<a href="#">9038710M42</a> Coller (688)	<a href="#">Buy now</a>
7	<a href="#">9010109M01</a> Bolt(62x)	<a href="#">Buy now</a>
8	<a href="#">9020110M63</a> Washer, plate	<a href="#">Buy now</a>
9	<a href="#">6E54314501</a> Cap, clamp bracket	<a href="#">Buy now</a>
10	<a href="#">9321016275</a> O-ring	<a href="#">Buy now</a>

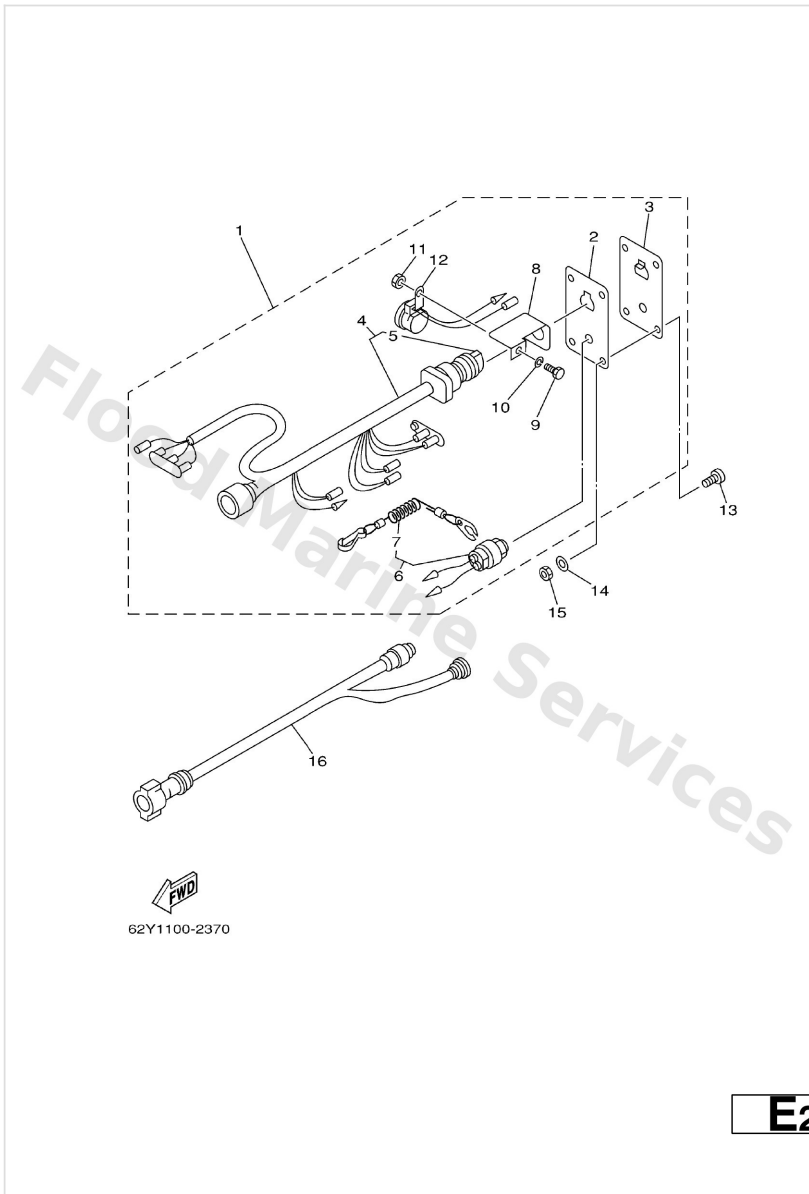
# Switch. Panel



Ref	Part	
1	<a href="#">6R58257004</a> Panel switch assembly AP	<a href="#">Buy now</a>
2	<a href="#">6R58258801</a> Plate	<a href="#">Buy now</a>
3	<a href="#">6R58257101</a> Panel, switch	<a href="#">Buy now</a>
4	<a href="#">6R58251002</a> Main switch assembly	<a href="#">Buy now</a>
5	<a href="#">6768257700</a> Cap, key	<a href="#">Buy now</a>
6	<a href="#">6888257501</a> Engine stop switch assembly	<a href="#">Buy now</a>
7	<a href="#">6828255600</a> Lanyard, stop switch	<a href="#">Buy now</a>
8	<a href="#">64D8258100</a> Stay, cord clamp	<a href="#">Buy now</a>
9	<a href="#">9730305012</a> Bolt, hexagon	<a href="#">Buy now</a>
10	<a href="#">9290305100</a> Ybs67-5 washer, spring	<a href="#">Buy now</a>
11	<a href="#">9530305700</a> Nut (656)	<a href="#">Buy now</a>
12	<a href="#">6R58338300</a> Buzzer	<a href="#">Buy now</a>
13	<a href="#">9014905M05</a> Screw(6k0) AP	<a href="#">Buy now</a>
14	<a href="#">9299005200</a> Ybs66-5 washer, plain AP	<a href="#">Buy now</a>
15	<a href="#">9538005600</a> Nut, hexagon (663) AP	<a href="#">Buy now</a>

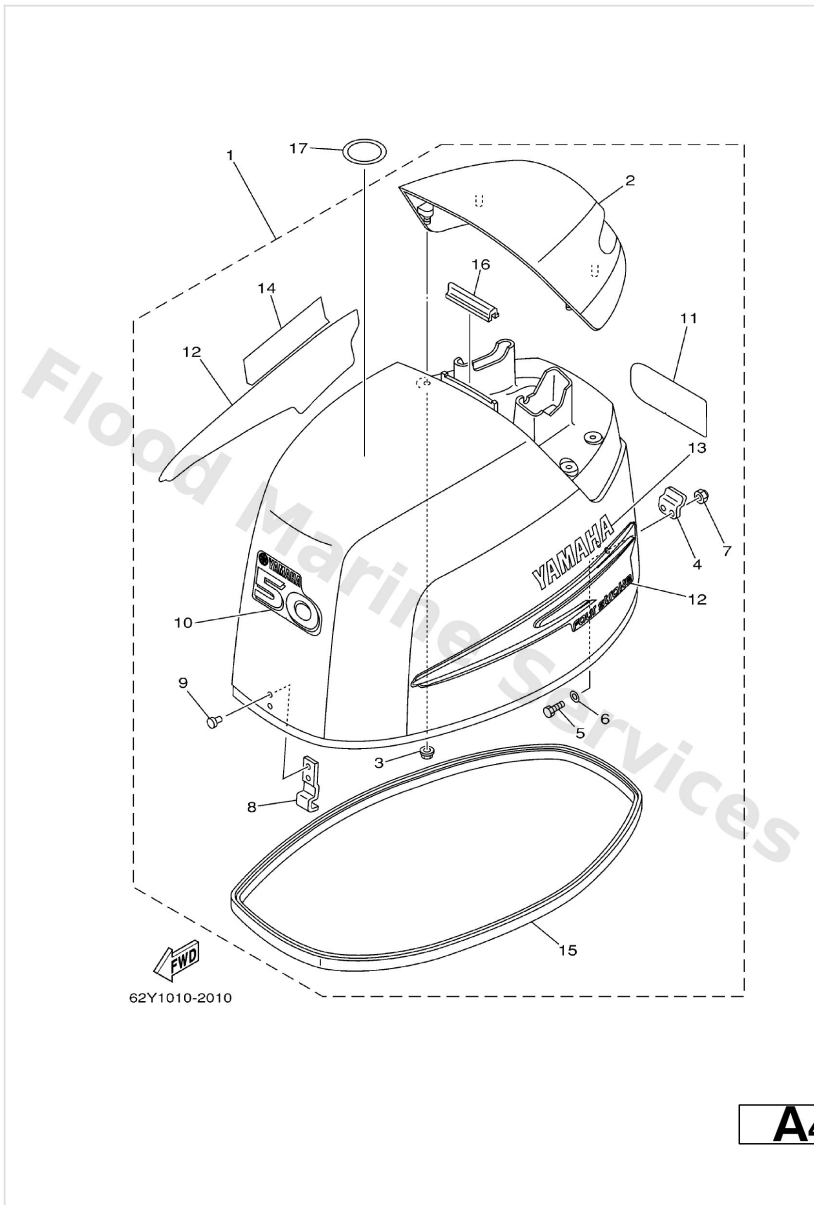


# Switch. Panel



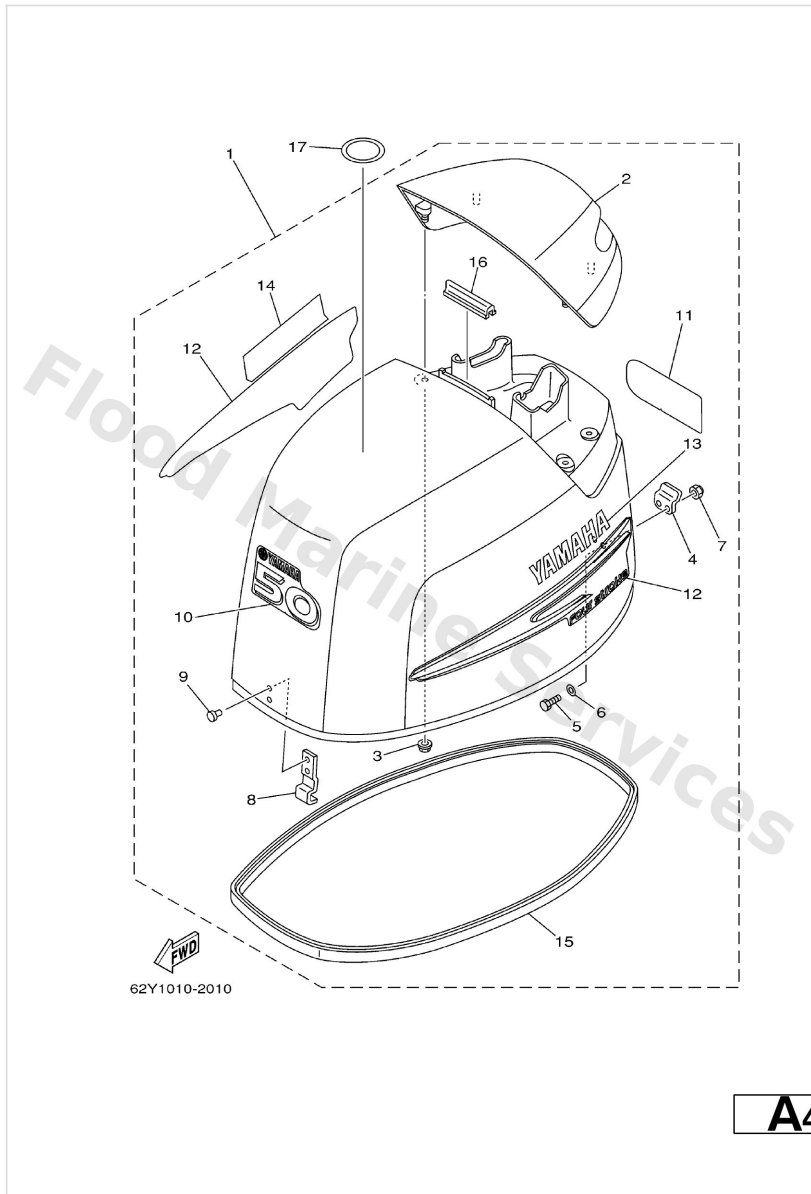
Ref	Part	
16	<a href="#">6888258A50</a> 10p main harness mec 5m (16ft) AP	<a href="#">Buy now</a>

# Top Cowling



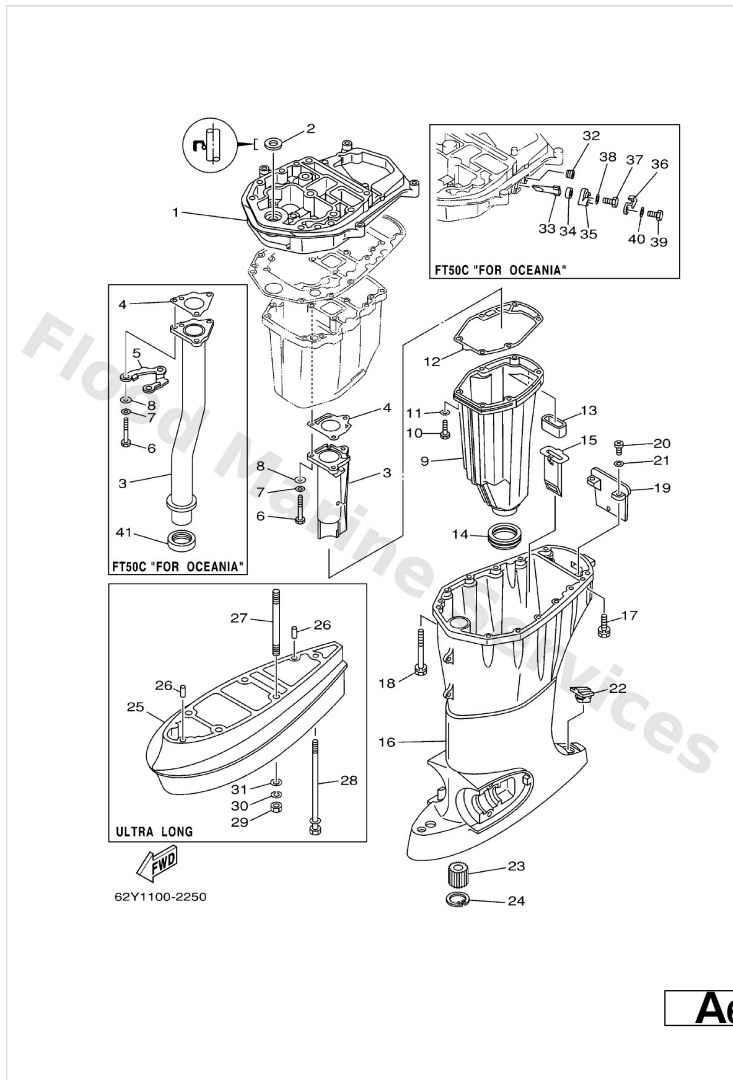
Ref	Part	
?	<a href="#">64J42610104D</a> - T50,FT50C	<a href="#">Buy now</a>
3	<a href="#">9017906M24</a> Nut(6j8)	<a href="#">Buy now</a>
4	<a href="#">62Y4265200</a> Hook	<a href="#">Buy now</a>
5	<a href="#">9709505016</a> Bolt(6a1)	<a href="#">Buy now</a>
6	<a href="#">9299505600</a> Washer, plain (646)	<a href="#">Buy now</a>
7	<a href="#">9578005300</a> Nut, nylon (6k8)	<a href="#">Buy now</a>
8	<a href="#">62Y4265100</a> Hook	<a href="#">Buy now</a>
9	<a href="#">9026606M02</a> Rivet (697)	<a href="#">Buy now</a>
10	<a href="#">62Y4267730</a> Graphic, front	<a href="#">Buy now</a>
11	<a href="#">62Y4267830</a> Graphic, front F50,F50A	<a href="#">Buy now</a>
11	<a href="#">64J4267810</a> Graphic, front T50,FT50C	<a href="#">Buy now</a>
12	<a href="#">62YW007010</a> Graphic set	<a href="#">Buy now</a>
13	<a href="#">62Y4268110</a> Mark, cowling	<a href="#">Buy now</a>
14	<a href="#">62Y4268210</a> Mark, cowling	<a href="#">Buy now</a>
15	<a href="#">62Y4261510</a> Seal	<a href="#">Buy now</a>

# Top Cowling



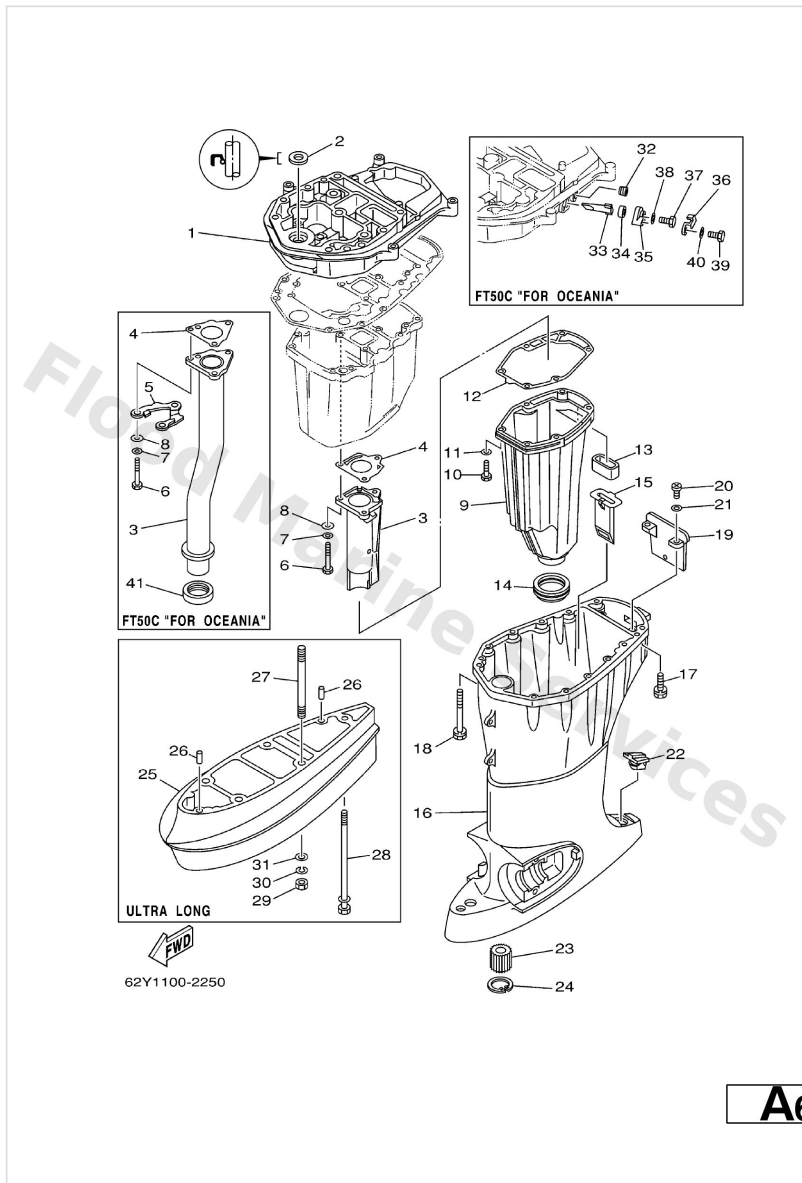
Ref	Part	
16	<a href="#">61N4262800</a> Seal	<a href="#">Buy now</a>
17	<a href="#">67F1343402</a> Label, Caution	<a href="#">Buy now</a>

# Upper Casing



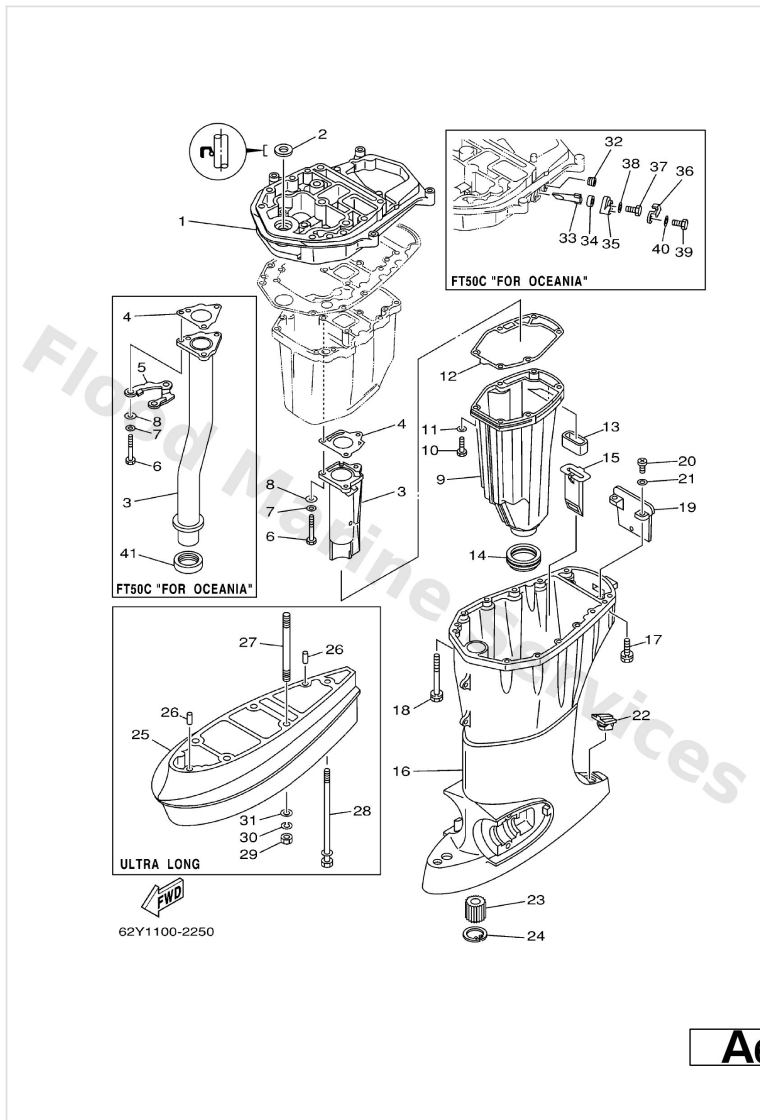
Ref	Part	
1	<a href="#">62Y411371094</a> Guide, Exhaust F50,T50,F50A	<a href="#">Buy now</a>
1	<a href="#">64J411370094</a> Guide, exhaust FT50C	<a href="#">Buy now</a>
2	<a href="#">9310318011</a> Oil seal	<a href="#">Buy now</a>
3	<a href="#">64J411311094</a> Manifold, ext. 1 FT50C	<a href="#">Buy now</a>
3	<a href="#">67C41131005B</a> Manifold, ext. 1 F50,T50,F50A	<a href="#">Buy now</a>
4	<a href="#">64J4113310</a> Gasket, exhaust manifold 1 FT50C	<a href="#">Buy now</a>
4	<a href="#">67C4113300</a> Gasket, exhaust manifold 1 F50,T50,F50A	<a href="#">Buy now</a>
5	<a href="#">64J4111600</a> Protector FT50C	<a href="#">Buy now</a>
6	<a href="#">9707506050</a> Bolt(jf7)	<a href="#">Buy now</a>
7	<a href="#">9299506600</a> Washer, plain (646)	<a href="#">Buy now</a>
8	<a href="#">9020106015</a> Washer, plate	<a href="#">Buy now</a>
9	<a href="#">62Y14711005B</a> Muffler 1 F50,T50,F50A	<a href="#">Buy now</a>
9	<a href="#">64J14711005B</a> Muffler 1 FT50C	<a href="#">Buy now</a>
10	<a href="#">9707506025</a> Bolt	<a href="#">Buy now</a>
12	<a href="#">62Y4113401</a> Gasket, exhaust manifold	<a href="#">Buy now</a>

# Upper Casing



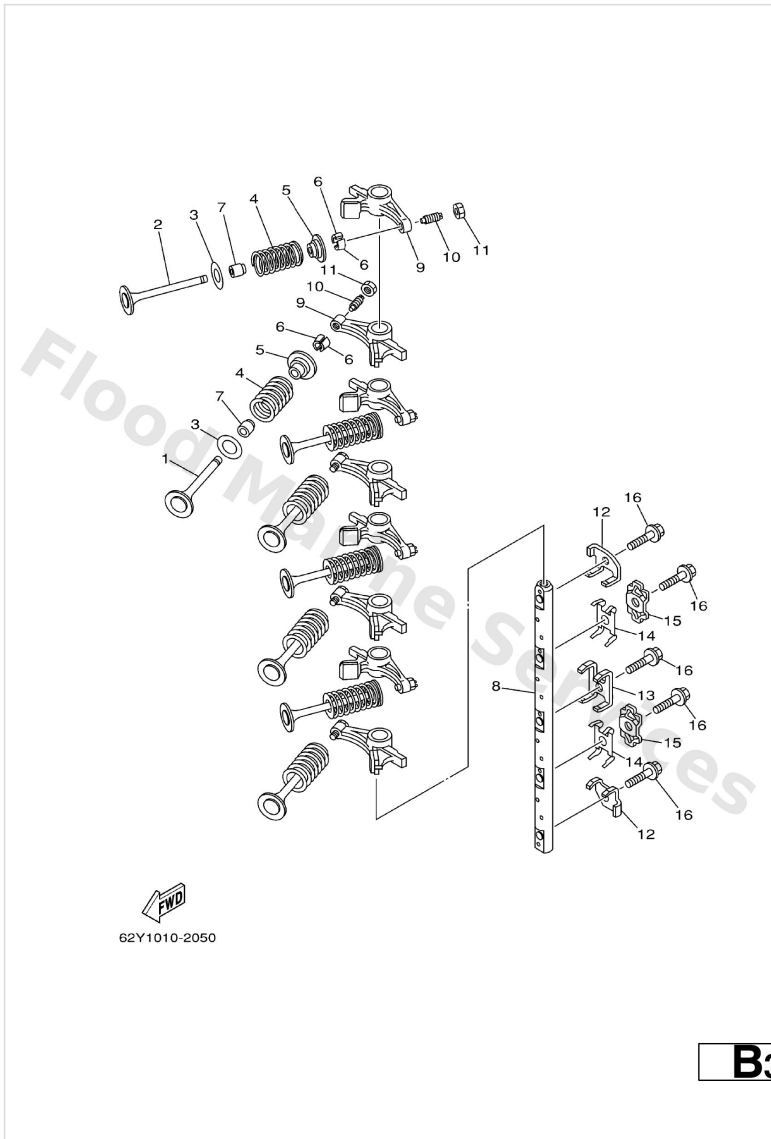
Ref	Part	
13	<a href="#">62Y4512700</a> Seal	<a href="#">Buy now</a>
14	<a href="#">6634512300</a> Gasket, muffler	<a href="#">Buy now</a>
15	<a href="#">64J7712300</a> Guide 1 FT50C	<a href="#">Buy now</a>
16	<a href="#">62Y45111214D</a> Casing, upper	<a href="#">Buy now</a>
17	<a href="#">9011908M79</a> Bolt, hexagon (fj1)	<a href="#">Buy now</a>
18	<a href="#">9011908M82</a> Bolt, with washer(697)	<a href="#">Buy now</a>
19	<a href="#">62Y4515100</a> Cover, upper casing	<a href="#">Buy now</a>
20	<a href="#">9788005016</a> Screw, pan head(6b0)	<a href="#">Buy now</a>
21	<a href="#">9299005600</a> Washer, plain (646)	<a href="#">Buy now</a>
22	<a href="#">6H34515500</a> Cap	<a href="#">Buy now</a>
23	<a href="#">62Y4531800</a> Bushing Drive Shaft	<a href="#">Buy now</a>
24	<a href="#">9342036M01</a> Circlip (6a0)	<a href="#">Buy now</a>
26	<a href="#">9360612019</a> Pin, dowel (614) FT50C-X	<a href="#">Buy now</a>
27	<a href="#">9011610M53</a> Bolt, stud FT50C-X	<a href="#">Buy now</a>
28	<a href="#">9011908M00</a> Bolt, with washer(62x) FT50C-X	<a href="#">Buy now</a>

# Upper Casing



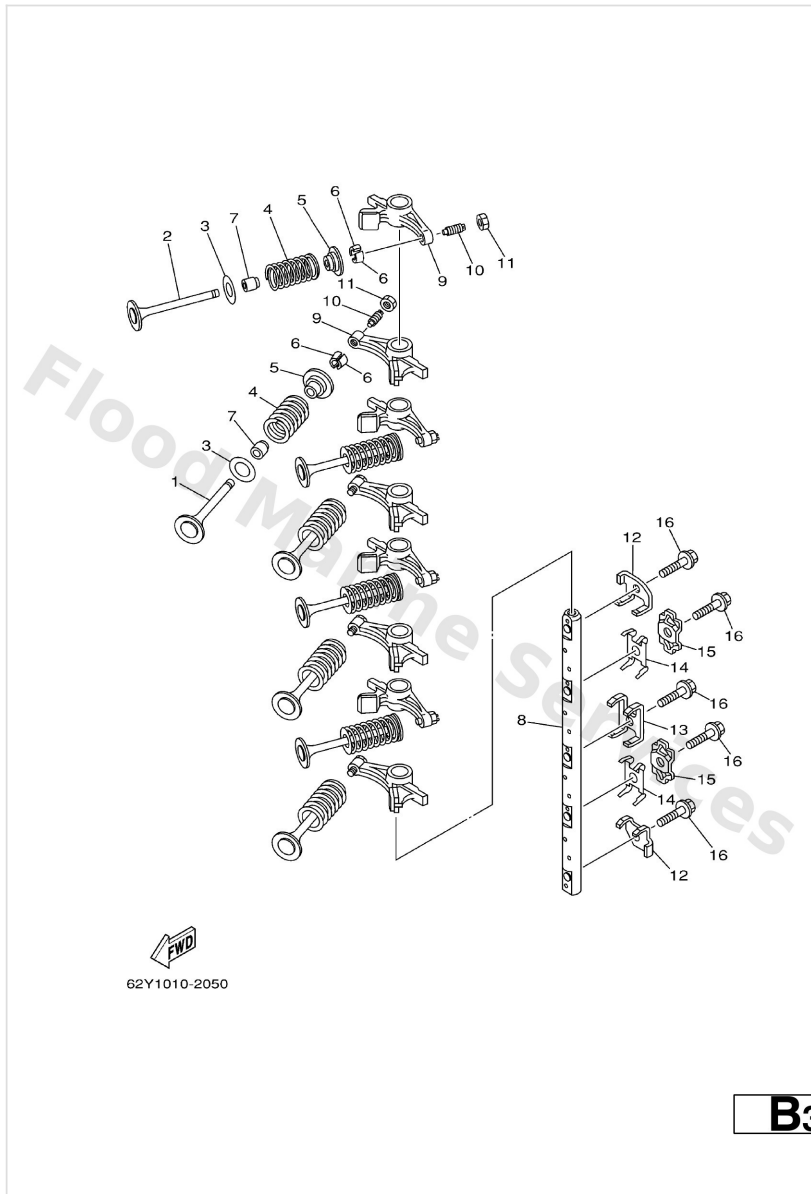
Ref	Part	
29	<a href="#">9538010600</a> Nut(624) FT50C-X	<a href="#">Buy now</a>
30	<a href="#">9299010100</a> Ybs67-10 washer, spring FT50C-X	<a href="#">Buy now</a>
31	<a href="#">9299010600</a> Washer, plate FT50C-X	<a href="#">Buy now</a>
32	<a href="#">68T1111200</a> - FT50C	<a href="#">Buy now</a>
33	<a href="#">62Y1132500</a> Anode FT50C	<a href="#">Buy now</a>
34	<a href="#">66M1132800</a> Grommet, anode FT50C	<a href="#">Buy now</a>
35	<a href="#">66M113270094</a> Cover, anode FT50C	<a href="#">Buy now</a>
36	<a href="#">66M1253500</a> Plate FT50C	<a href="#">Buy now</a>
37	<a href="#">9709505012</a> Bolt, hexagon FT50C	<a href="#">Buy now</a>
38	<a href="#">9299505600</a> Washer, plain (646) FT50C	<a href="#">Buy now</a>
39	<a href="#">9701306020</a> Bolt(62y) FT50C	<a href="#">Buy now</a>
40	<a href="#">9290306600</a> Washer, plain (646) FT50C	<a href="#">Buy now</a>
41	<a href="#">64J4613210</a> Gasket 1 FT50C	<a href="#">Buy now</a>

# Valve



Ref	Part	
1	<a href="#">62Y1211100</a> Valve, intake F50,T50,F50A	<a href="#">Buy now</a>
1	<a href="#">64J1211100</a> Valve, intake FT50C	<a href="#">Buy now</a>
2	<a href="#">62Y1212100</a> Valve, exhaust F50,T50,F50A	<a href="#">Buy now</a>
2	<a href="#">64J1212100</a> Valve, exhaust FT50C	<a href="#">Buy now</a>
3	<a href="#">62Y1211600</a> Seat, valve spring	<a href="#">Buy now</a>
4	<a href="#">51Y1211400</a> Spring, valve outer	<a href="#">Buy now</a>
5	<a href="#">30X1211700</a> Retainer, valve spring	<a href="#">Buy now</a>
6	<a href="#">30X1211800</a> Cotter, valve	<a href="#">Buy now</a>
7	<a href="#">51Y1211900</a> Seal, valve stem	<a href="#">Buy now</a>
8	<a href="#">62Y1214600</a> Shaft, rocker	<a href="#">Buy now</a>
9	<a href="#">62Y1215100</a> Arm, valve rocker	<a href="#">Buy now</a>
10	<a href="#">64J1215900</a> Screw, valve adjusting	<a href="#">Buy now</a>
11	<a href="#">62Y1215800</a> Nut, lock	<a href="#">Buy now</a>
12	<a href="#">62Y1223800</a> Plate Bolt Stopper F50,T50,F50A	<a href="#">Buy now</a>
12	<a href="#">64J1223800</a> Plate, bolt stopper FT50C	<a href="#">Buy now</a>

# Valve



Ref	Part	
13	<a href="#">62Y1227900</a> Plate F50,T50,F50A	<a href="#">Buy now</a>
13	<a href="#">64J1227900</a> Plate FT50C	<a href="#">Buy now</a>
14	<a href="#">62Y1221600</a> Spring	<a href="#">Buy now</a>
15	<a href="#">62Y1223100</a> Guide, stopper 1	<a href="#">Buy now</a>
16	<a href="#">9010908M63</a> Bolt(62y)	<a href="#">Buy now</a>



# Disclaimer

This document is provided for convenience only. It is **not** an official Yamaha publication and is **not supplied, endorsed, or approved** by Yamaha Motor Co., Ltd.

Reasonable efforts are made to keep information accurate; however diagrams, part references, supersessions, descriptions, and applicability may contain errors or omissions. Specifications and part availability may change without notice.

You are responsible for confirming the correct parts for your engine (including model code, year, serial range, and any superseded part numbers) before ordering or fitting.