



# Yamaha F6AMH 2006

## Parts Manual

[www.floodmarine.co.uk](http://www.floodmarine.co.uk)

+44 2882 246 539

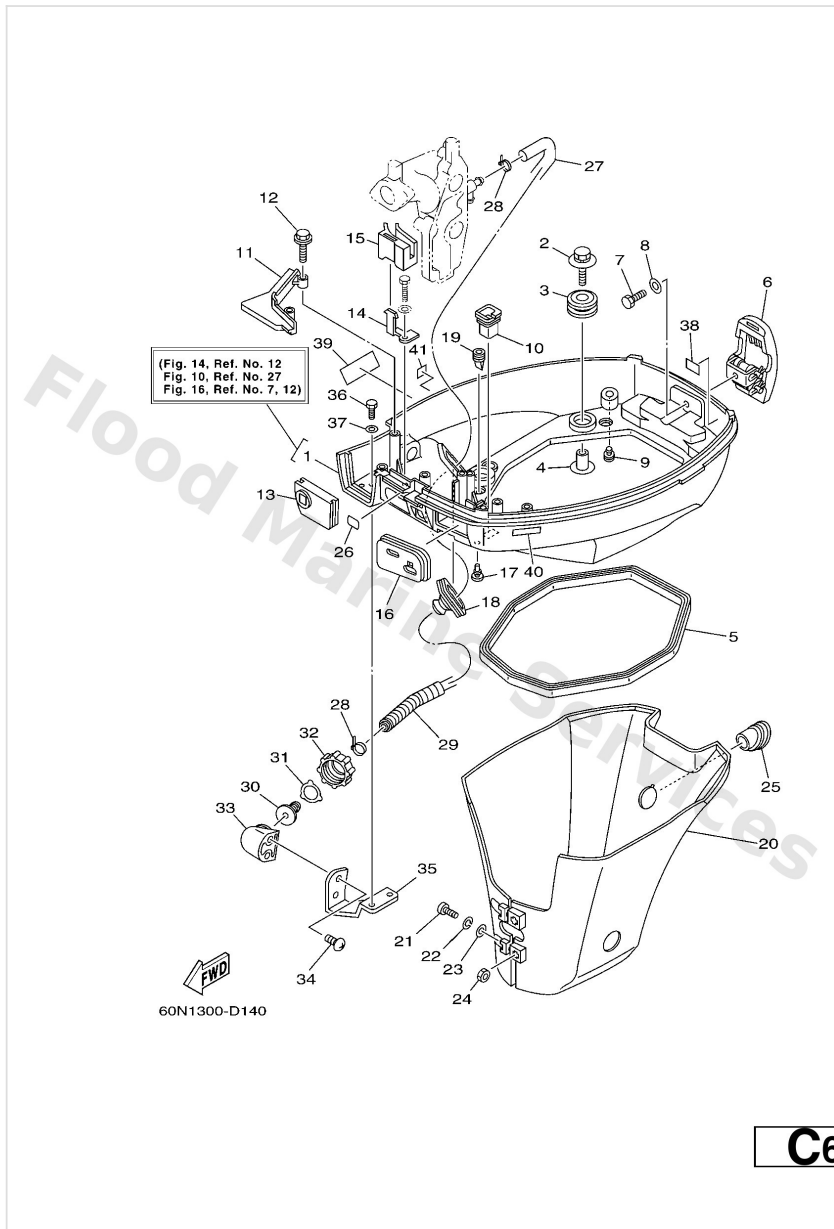
Authorised Yamaha Dealers



# Contents

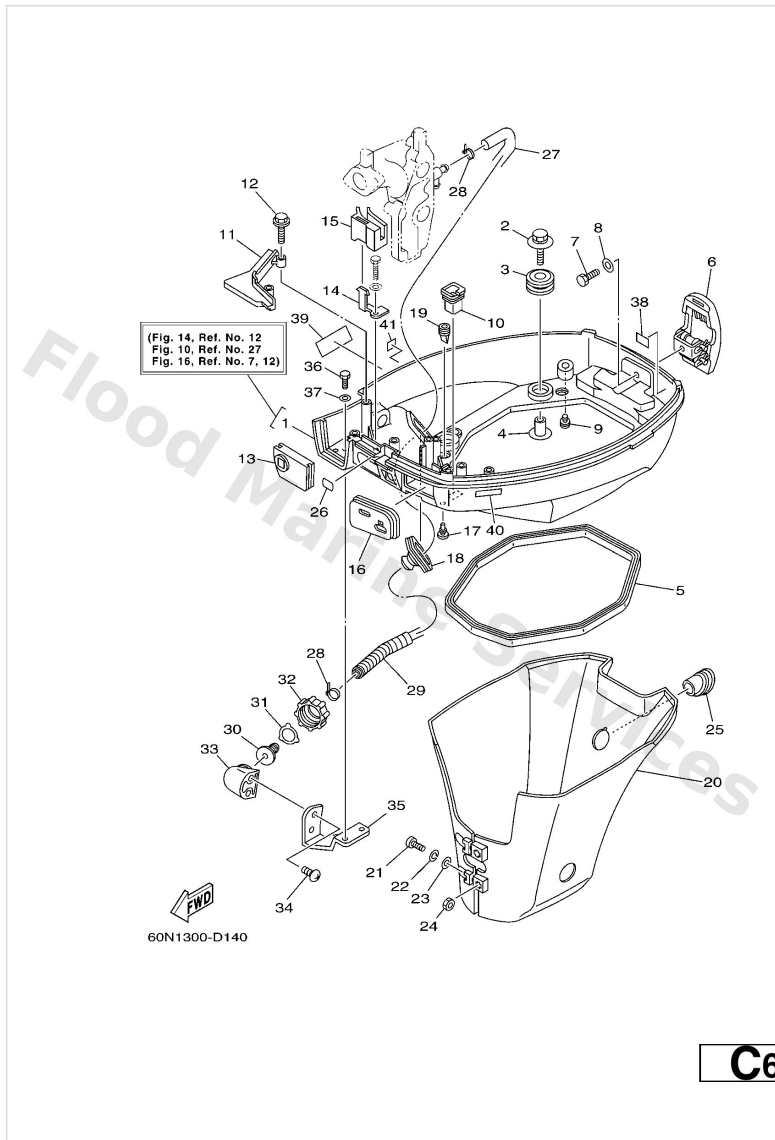
<b>BOTTOM COWLING</b>	3
<b>BRACKET 1</b>	6
<b>BRACKET 2</b>	9
<b>CARBURETOR</b>	11
<b>CONTROL</b>	14
<b>CRANKSHAFT &amp; PISTON</b>	17
<b>CYLINDER &amp; CRANKCASE 1</b>	19
<b>CYLINDER &amp; CRANKCASE 2</b>	21
<b>ELECTRICAL 1</b>	23
<b>ELECTRICAL 2</b>	25
<b>FUEL</b>	26
<b>FUEL TANK</b>	29
<b>GENERATOR</b>	30
<b>INTAKE</b>	31
<b>LOWER CASING &amp; DRIVE 1</b>	33
<b>LOWER CASING &amp; DRIVE 2</b>	38
<b>OIL PAN</b>	40
<b>OIL PUMP</b>	42
<b>OPTIONAL PARTS 1</b>	44
<b>OPTIONAL PARTS 2</b>	47
<b>REMO CON ATTACHMENT</b>	48
<b>REPAIR KIT 1</b>	50
<b>REPAIR KIT 2</b>	52
<b>REPAIR KIT 3</b>	53
<b>STARTER</b>	55
<b>STEERING</b>	58
<b>STEERING GUIDE</b>	61
<b>TOP COWLING</b>	62
<b>UPPER CASING</b>	64
<b>VALVE</b>	65

# Bottom Cowling



Ref	Part	
1	<a href="#">60RG2710004D</a> Bottom cowling assembly WITH TAPPING BOLT	<a href="#">Buy now</a>
2	<a href="#">68F8511900</a> Bolt	<a href="#">Buy now</a>
3	<a href="#">9048021M82</a> Grommet	<a href="#">Buy now</a>
4	<a href="#">9038706053</a> Collar	<a href="#">Buy now</a>
5	<a href="#">68T4271610</a> Rubber, seal 1	<a href="#">Buy now</a>
6	<a href="#">68T4280100</a> Cowling clamp comp.	<a href="#">Buy now</a>
7	<a href="#">9709506012</a> Bolt(gh1)	<a href="#">Buy now</a>
37	<a href="#">9299506600</a> Washer, plain (646) FLUSHING KIT	<a href="#">Buy now</a>
9	<a href="#">6H34439101</a> Nipple, hose	<a href="#">Buy now</a>
10	<a href="#">6824272700</a> Grommet	<a href="#">Buy now</a>
11	<a href="#">68T42738004D</a> Plate, fitting	<a href="#">Buy now</a>
12	<a href="#">9010906M81</a> Bolt	<a href="#">Buy now</a>
13	<a href="#">68T4272500</a> Grommet	<a href="#">Buy now</a>
14	<a href="#">68T2639300</a> Holder	<a href="#">Buy now</a>
15	<a href="#">68T2636700</a> Protector	<a href="#">Buy now</a>

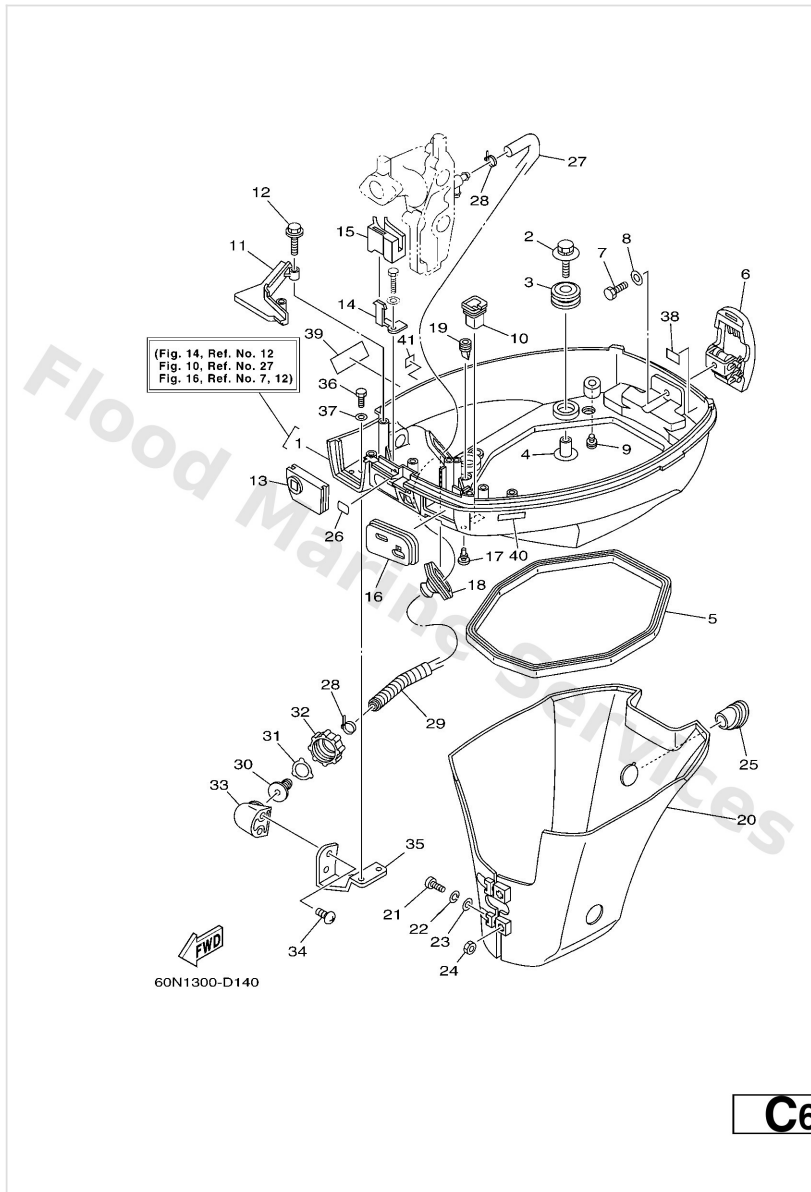
# Bottom Cowling



Ref	Part	
16	<a href="#">60RG272400</a> Grommet	<a href="#">Buy now</a>
17	<a href="#">9048006M19</a> Grommet (6e3)	<a href="#">Buy now</a>
18	<a href="#">6884272610</a> Grommet FLUSHING KIT	<a href="#">Buy now</a>
19	<a href="#">60SG271700</a> Rubber, seal 2	<a href="#">Buy now</a>
20	<a href="#">60RG274100</a> Apron	<a href="#">Buy now</a>
21	<a href="#">9788506030</a> Screw, pan head(6e0)	<a href="#">Buy now</a>
22	<a href="#">9299506100</a> Washer(6a1)	<a href="#">Buy now</a>
24	<a href="#">9538006600</a> Nut(661)	<a href="#">Buy now</a>
25	<a href="#">68T4271700</a> Rubber, seal 2	<a href="#">Buy now</a>
26	<a href="#">60RH434200</a> Seat, emblem	<a href="#">Buy now</a>
27	<a href="#">60SE248100</a> Pipe 1 FLUSHING KIT	<a href="#">Buy now</a>
28	<a href="#">9046511M10</a> Clamp FLUSHING KIT	<a href="#">Buy now</a>
29	<a href="#">9044713M00</a> Hose, with spring FLUSHING KIT	<a href="#">Buy now</a>
30	<a href="#">6R31258200</a> Joint, hose 2 FLUSHING KIT	<a href="#">Buy now</a>
31	<a href="#">6R31258300</a> Gasket, hose joint FLUSHING KIT	<a href="#">Buy now</a>

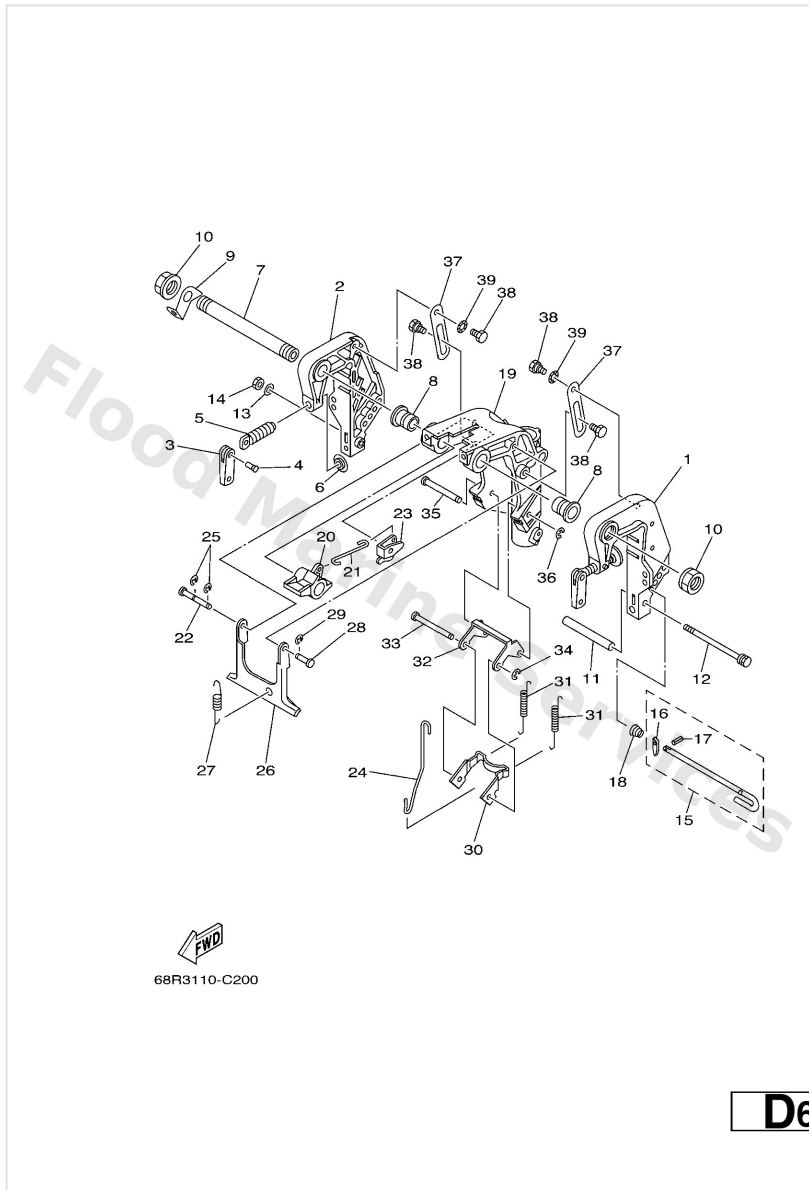


# Bottom Cowling



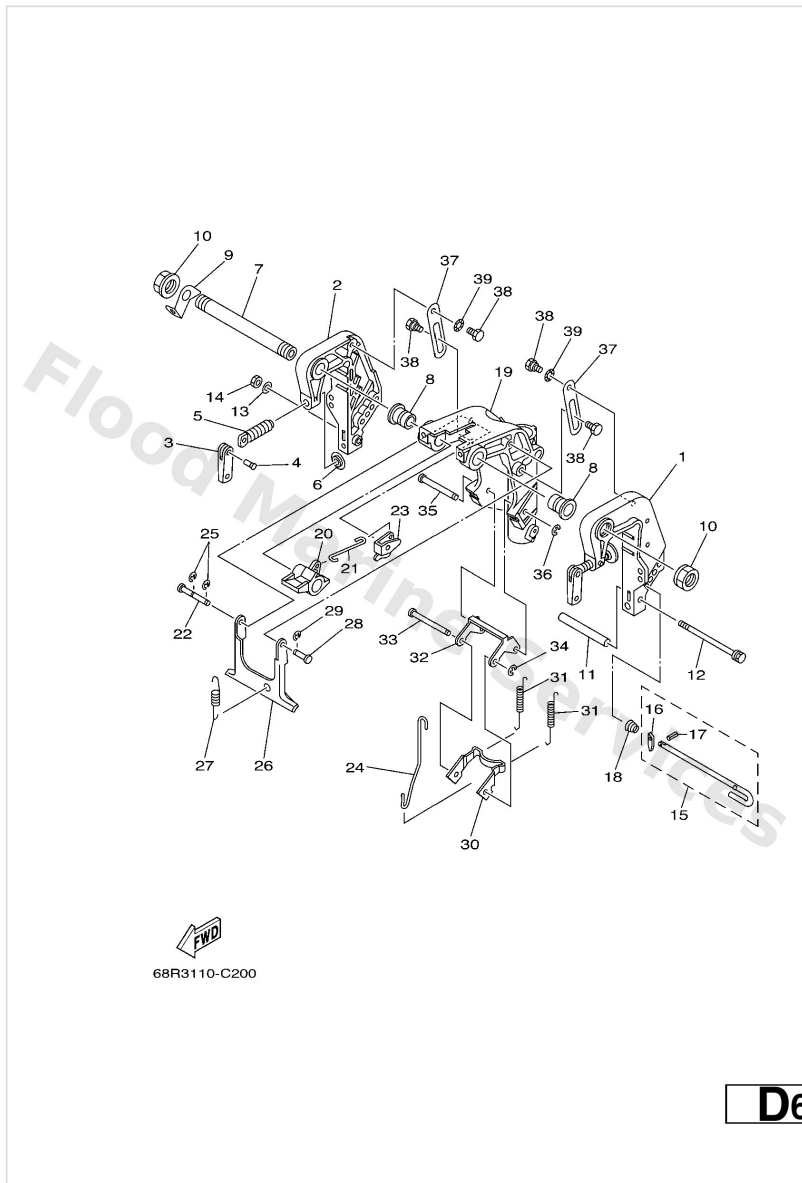
Ref	Part	
32	<a href="#">6R31258100</a> Joint, hose 1 FLUSHING KIT	<a href="#">Buy now</a>
33	<a href="#">68T1257200</a> Adapter FLUSHING KIT	<a href="#">Buy now</a>
34	<a href="#">9016706002</a> Screw, tapping FLUSHING KIT	<a href="#">Buy now</a>
35	<a href="#">68T1253500</a> Plate FLUSHING KIT	<a href="#">Buy now</a>
36	<a href="#">9709506010</a> Bolt FLUSHING KIT	<a href="#">Buy now</a>
38	<a href="#">6H84279110</a> Mark 1	<a href="#">Buy now</a>
39	<a href="#">60RE344450</a> Mark	<a href="#">Buy now</a>
40	<a href="#">68DH257H00</a> -	<a href="#">Buy now</a>
41	<a href="#">6N0F817600</a> Caution Sticker	<a href="#">Buy now</a>

# Bracket 1



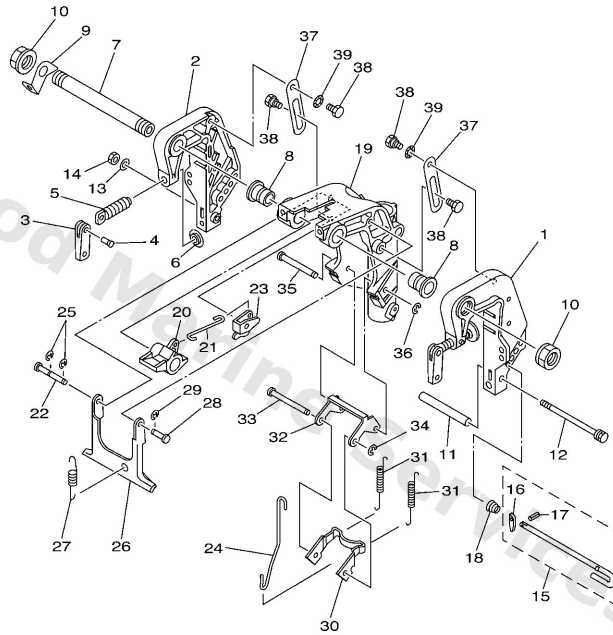
Ref	Part	
1	<a href="#">60RG3111004D</a> Bracket clamp 1	<a href="#">Buy now</a>
2	<a href="#">60RG3112004D</a> Bracket clamp 2	<a href="#">Buy now</a>
3	<a href="#">6L8G311801</a> Handle, transom cl	<a href="#">Buy now</a>
4	<a href="#">9024304M01</a> Pin(6a1)	<a href="#">Buy now</a>
5	<a href="#">6E74311600</a> Screw, transom clamp	<a href="#">Buy now</a>
6	<a href="#">6484311401</a> Pad, transom clamp	<a href="#">Buy now</a>
7	<a href="#">63V4313110</a> Bolt, clamp bracket FOR RIDE GUIDE	<a href="#">Buy now</a>
8	<a href="#">9038622MA4</a> Bush	<a href="#">Buy now</a>
9	<a href="#">66R4311300</a> Plate, clamp bracket	<a href="#">Buy now</a>
10	<a href="#">9018522043</a> Nut, self-locking	<a href="#">Buy now</a>
11	<a href="#">9038706M13</a> Collar(6h6)	<a href="#">Buy now</a>
12	<a href="#">9010106M18</a> Bolt(6I5)	<a href="#">Buy now</a>
13	<a href="#">9299006600</a> Washer, plain (646)	<a href="#">Buy now</a>
14	<a href="#">9538006700</a> Nut	<a href="#">Buy now</a>
15	<a href="#">6L24316001</a> Tilt rod assembly	<a href="#">Buy now</a>

# Bracket 1



Ref	Part	
16	<a href="#">6894316500</a> Plate, tilt lock	<a href="#">Buy now</a>
17	<a href="#">9169030008</a> Pin. spring(656)	<a href="#">Buy now</a>
18	<a href="#">9050210M07</a> Spring, conical(6k3)	<a href="#">Buy now</a>
19	<a href="#">60RG3311004D</a> Bracket, Swivel 1 S (17.1")	<a href="#">Buy now</a>
19	<a href="#">60RG3311104D</a> Bracket swivel1 L (22.1")	<a href="#">Buy now</a>
20	<a href="#">60RG363100</a> Lever Tilt	<a href="#">Buy now</a>
21	<a href="#">60RG361600</a> Rod Tilt Lock	<a href="#">Buy now</a>
22	<a href="#">68T4364600</a> Shaft, lever	<a href="#">Buy now</a>
23	<a href="#">68T4364100</a> Lever, tilt	<a href="#">Buy now</a>
24	<a href="#">68T4361700</a> Rod, tilt lock	<a href="#">Buy now</a>
25	<a href="#">9908005600</a> Circlip(22k)	<a href="#">Buy now</a>
26	<a href="#">68T4335000</a> Receiver assembly	<a href="#">Buy now</a>
27	<a href="#">9050618M41</a> Spring, tension S (17.1")	<a href="#">Buy now</a>
27	<a href="#">9050620005</a> Spring, tension L (22.1")	<a href="#">Buy now</a>
28	<a href="#">63V4319100</a> Shaft, stopper	<a href="#">Buy now</a>

# Bracket 1

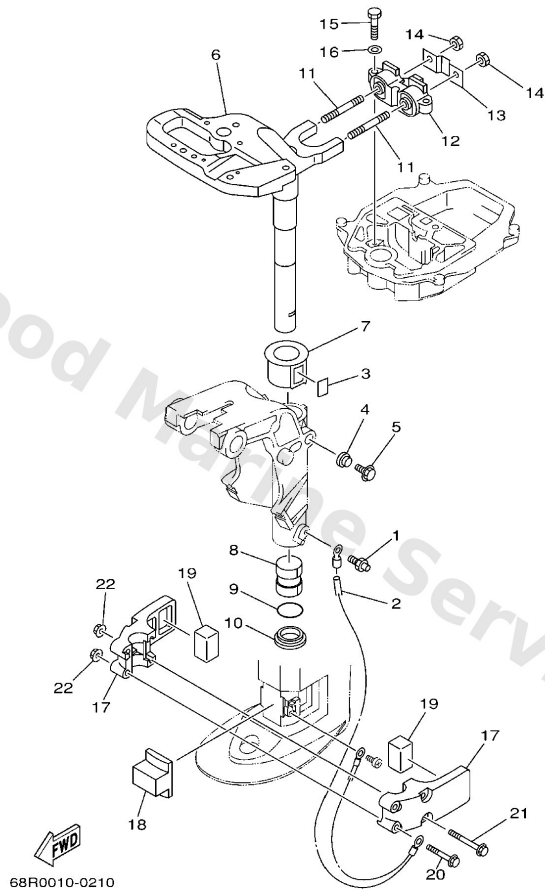


  
68R3110-C200

**D6**

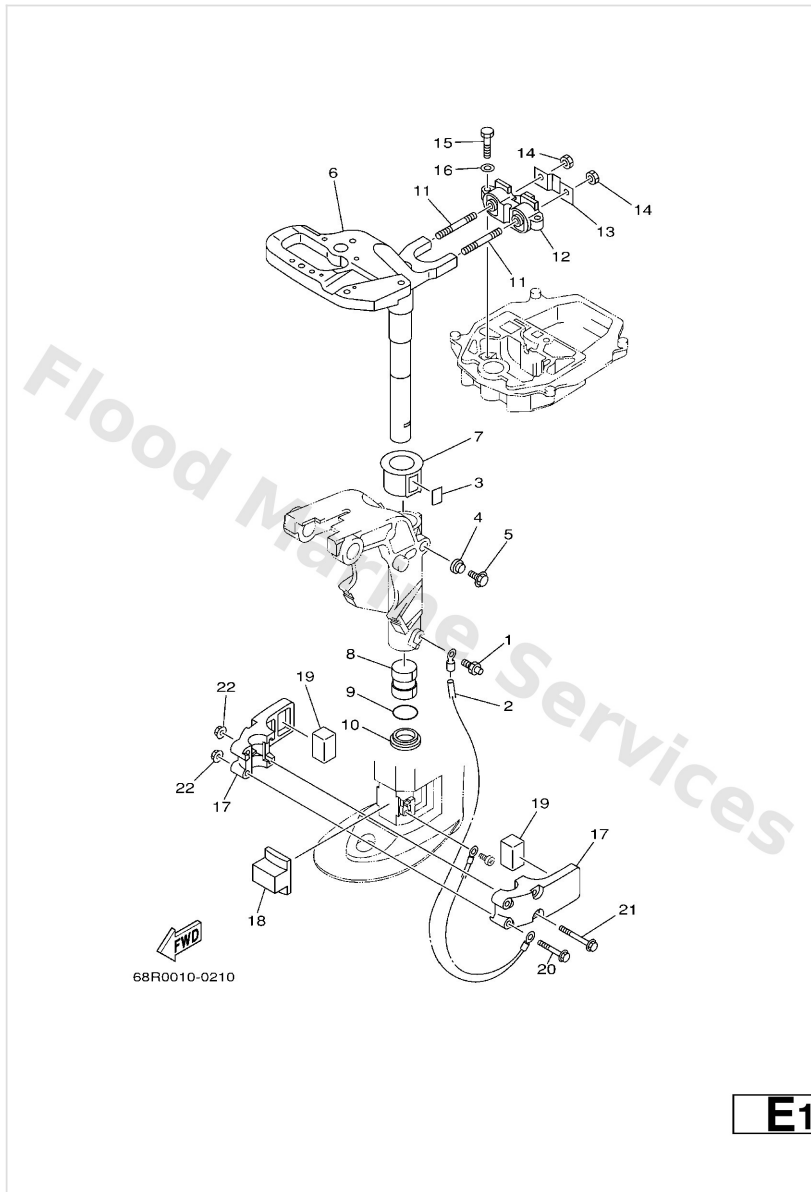
Ref	Part	
30	<a href="#">68T4361400</a> Plate, tilt lock	<a href="#">Buy now</a>
31	<a href="#">9050620806</a> Spring Tension S (17.1")	<a href="#">Buy now</a>
31	<a href="#">9050623803</a> - L (22.1")	<a href="#">Buy now</a>
32	<a href="#">68T4361500</a> Plate, tilt lock	<a href="#">Buy now</a>
33	<a href="#">68T4361100</a> Shaft, tilt lock	<a href="#">Buy now</a>
34	<a href="#">9343004M03</a> Circlip (eu0)	<a href="#">Buy now</a>
35	<a href="#">68T4365900</a> Shaft, reverse lock	<a href="#">Buy now</a>
37	<a href="#">68T4362700</a> Stopper	<a href="#">Buy now</a>
38	<a href="#">9010906M84</a> Bolt	<a href="#">Buy now</a>
39	<a href="#">9020610M24</a> Washer, wave	<a href="#">Buy now</a>

# Bracket 2



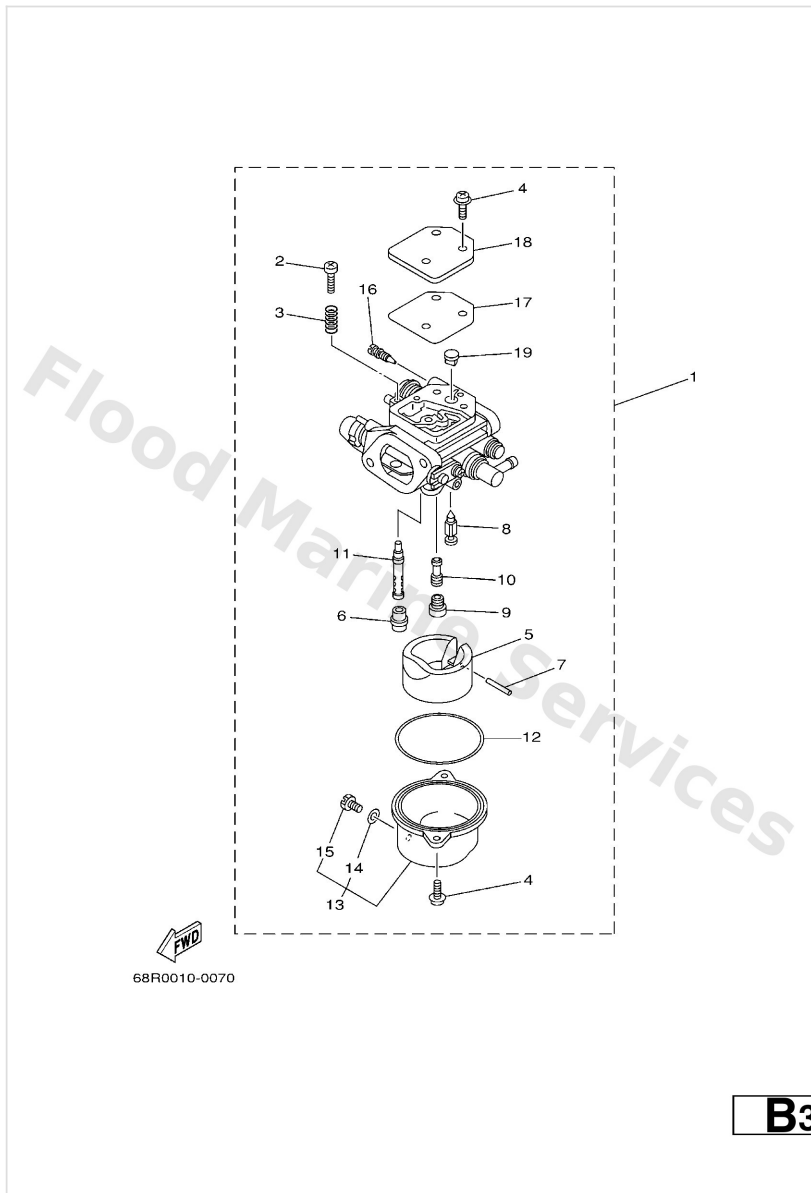
Ref	Part	
1	<a href="#">9370006M03</a> Nipple, grease(6a1)	<a href="#">Buy now</a>
2	<a href="#">68T8212700</a> Wire, lead 2	<a href="#">Buy now</a>
3	<a href="#">63V4252800</a> Plate, friction	<a href="#">Buy now</a>
4	<a href="#">6894337301</a> Seal, damper	<a href="#">Buy now</a>
5	<a href="#">9010506M07</a> Bolt (689)	<a href="#">Buy now</a>
6	<a href="#">60RG2511004D</a> Bracket, Steering S (17.1")	<a href="#">Buy now</a>
6	<a href="#">60RG2511104D</a> Bracket, steering L (22.1")	<a href="#">Buy now</a>
7	<a href="#">63V4253700</a> Bushing, pivot shaft	<a href="#">Buy now</a>
8	<a href="#">9038630048</a> Bush	<a href="#">Buy now</a>
9	<a href="#">9321029M94</a> O-ring(6h1)	<a href="#">Buy now</a>
10	<a href="#">9038630M60</a> Bush(6j8)	<a href="#">Buy now</a>
11	<a href="#">9011608M54</a> Bolt, stud(63v)	<a href="#">Buy now</a>
12	<a href="#">68T445170094</a> Mount rubber	<a href="#">Buy now</a>
13	<a href="#">68T4452600</a> Plate	<a href="#">Buy now</a>
14	<a href="#">9538008600</a> Nut (661)	<a href="#">Buy now</a>

# Bracket 2



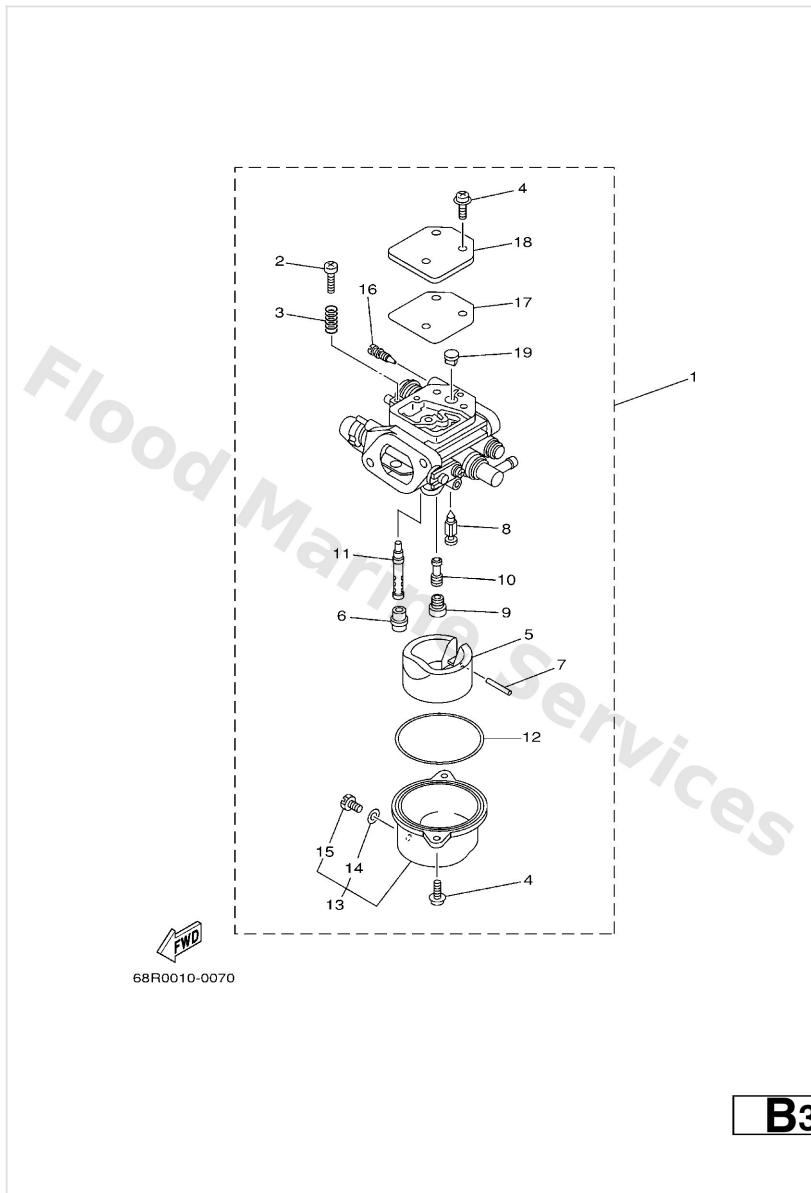
Ref	Part	
15	<a href="#">9707506025</a> Bolt	<a href="#">Buy now</a>
16	<a href="#">9299506600</a> Washer, plain (646)	<a href="#">Buy now</a>
17	<a href="#">68T44551004D</a> Housing, lower mount rubber 1	<a href="#">Buy now</a>
18	<a href="#">60RG455700</a> Mount Damper Lower Front	<a href="#">Buy now</a>
19	<a href="#">60RG455500</a> Mount damper, lower side	<a href="#">Buy now</a>
20	<a href="#">9011906012</a> Bolt, with washer	<a href="#">Buy now</a>
21	<a href="#">9011906013</a> Bolt, with washer	<a href="#">Buy now</a>
22	<a href="#">9017906M28</a> Nut(63v)	<a href="#">Buy now</a>

# Carburetor



Ref	Part	
?	<a href="#">68T1430120</a> Carburetor & accel link 68t20	<a href="#">Buy now</a>
?	<a href="#">69F14301C0</a> Carburetor assembly 1	<a href="#">Buy now</a>
2	<a href="#">6E51432100</a> Screw, throttle	<a href="#">Buy now</a>
3	<a href="#">6J81433400</a> Spring, throttle	<a href="#">Buy now</a>
4	<a href="#">9798004112</a> Screw, pan head (686)	<a href="#">Buy now</a>
5	<a href="#">68T1438500</a> Float	<a href="#">Buy now</a>
6	<a href="#">67D1496600</a> Rubber cap	<a href="#">Buy now</a>
7	<a href="#">67D1438600</a> Pin, float	<a href="#">Buy now</a>
8	<a href="#">68R1492E2H</a> Jet, Main (#55)	<a href="#">Buy now</a>
8	<a href="#">68R1492F18</a> Jet, air slow	<a href="#">Buy now</a>
8	<a href="#">68T1454600</a> Valve, needle	<a href="#">Buy now</a>
8	<a href="#">68T1492E37</a> Jet, main (#74)	<a href="#">Buy now</a>
8	<a href="#">68T1492F1K</a> Jet, air slow (#39)	<a href="#">Buy now</a>
11	<a href="#">68T1492A00</a> Nozzle, main	<a href="#">Buy now</a>
12	<a href="#">67D1498400</a> Gasket, float chamber	<a href="#">Buy now</a>

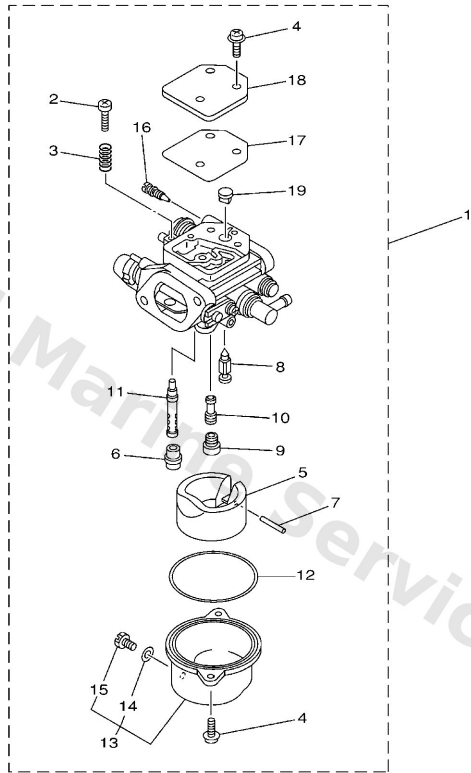
# Carburetor



Ref	Part	
13	<a href="#">68T1498100</a> Body, float chamber	<a href="#">Buy now</a>
14	<a href="#">6J81495900</a> Gasket, drin screw	<a href="#">Buy now</a>
15	<a href="#">66T1499100</a> Plug, drain	<a href="#">Buy now</a>
16	<a href="#">68T1432320</a> Screw Air Adjusting	<a href="#">Buy now</a>
17	<a href="#">67D1453600</a> Gasket	<a href="#">Buy now</a>
18	<a href="#">67D1452700</a> Plate	<a href="#">Buy now</a>
19	<a href="#">68T1412600</a> Plug	<a href="#">Buy now</a>
1	<a href="#">60N1430130</a> Carburetor assembly 1	<a href="#">Buy now</a>
5	<a href="#">6AU1438500</a> Float	<a href="#">Buy now</a>
9	<a href="#">6AU1492E43</a> Jet, main (#86)	<a href="#">Buy now</a>
10	<a href="#">6AU1492F20</a> Jet, air slow (#40)	<a href="#">Buy now</a>
11	<a href="#">6AU1492A00</a> Nozzle, main	<a href="#">Buy now</a>
12	<a href="#">6AU1498400</a> Gasket, float chamber	<a href="#">Buy now</a>
13	<a href="#">6AU1498200</a> Body, float chamber	<a href="#">Buy now</a>
14	<a href="#">6AU1431B00</a> Ball	<a href="#">Buy now</a>



# Carburetor

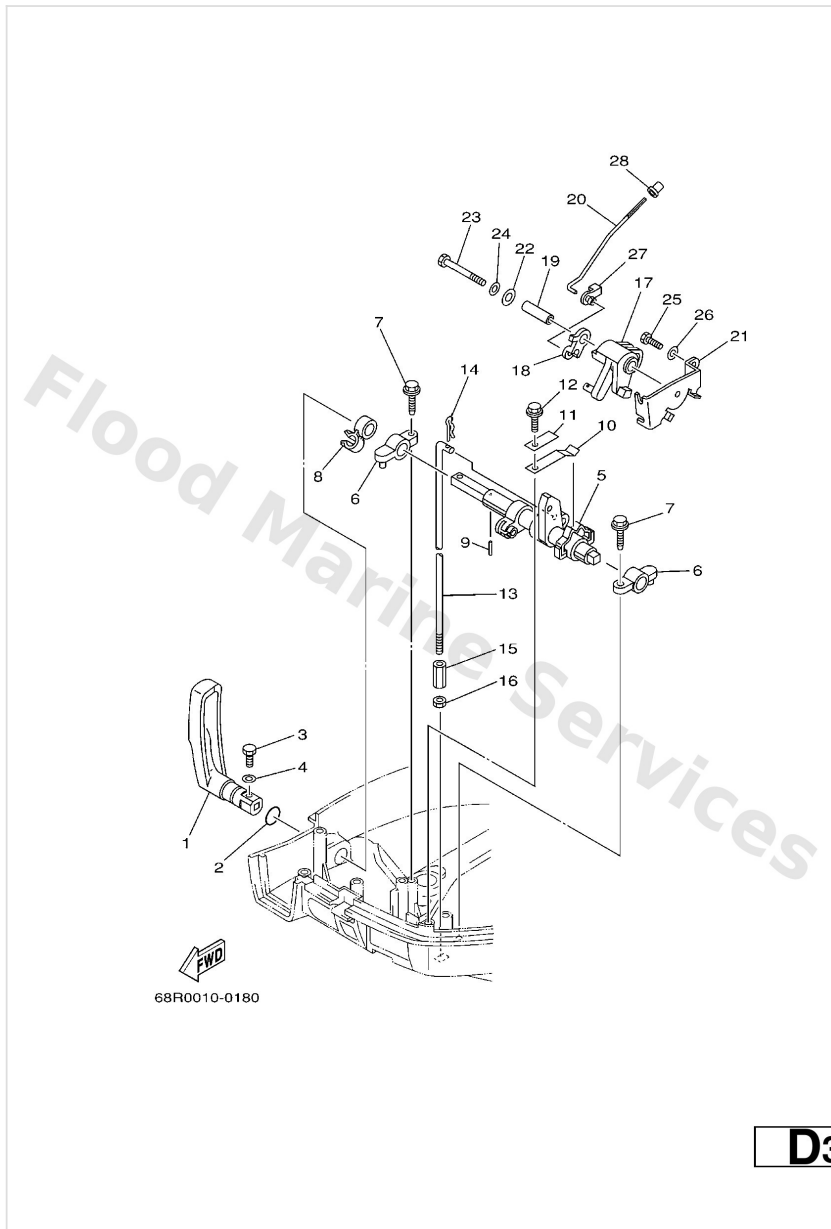


FWD  
68R0010-0070

**B3**

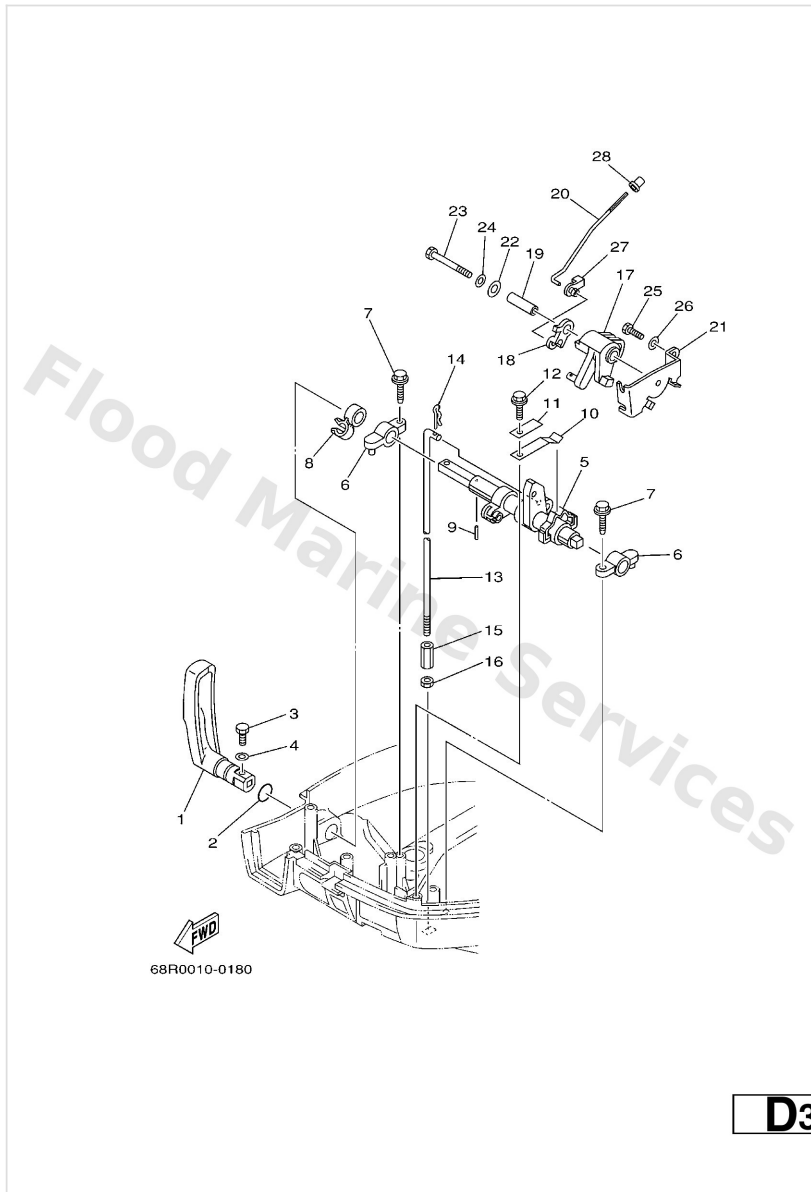
Ref	Part	
15	<a href="#">6AU1433500</a> Spring Plunger	<a href="#">Buy now</a>
16	<a href="#">6AU1437100</a> Plunger, starter	<a href="#">Buy now</a>
17	<a href="#">6AU1431A00</a> Guide	<a href="#">Buy now</a>
18	<a href="#">6AU1491800</a> Ring	<a href="#">Buy now</a>
25	<a href="#">6AU1437900</a> Rod, starter	<a href="#">Buy now</a>
26	<a href="#">6AU1437300</a> Cover, plunger cap	<a href="#">Buy now</a>

# Control



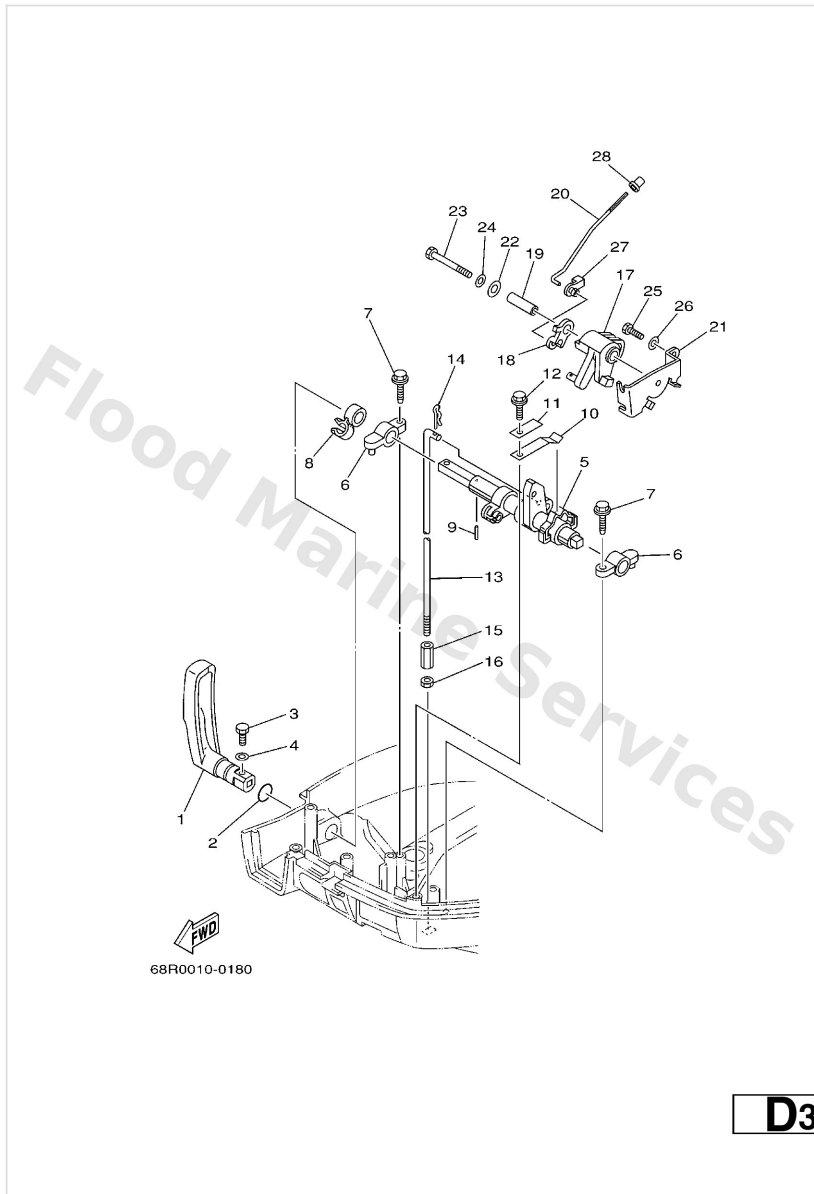
Ref	Part	
1	<a href="#">60RG411100</a> Handle, gear shift	<a href="#">Buy now</a>
2	<a href="#">9321012327</a> O-ring(3ld)	<a href="#">Buy now</a>
3	<a href="#">9709505016</a> Bolt(6a1)	<a href="#">Buy now</a>
4	<a href="#">9299505600</a> Washer, plain (646)	<a href="#">Buy now</a>
5	<a href="#">68T4412101</a> Lever, shift rod	<a href="#">Buy now</a>
6	<a href="#">6G1416620194</a> Bracket	<a href="#">Buy now</a>
7	<a href="#">9010906M81</a> Bolt	<a href="#">Buy now</a>
8	<a href="#">9046410M60</a> Clamp	<a href="#">Buy now</a>
9	<a href="#">9169030014</a> Pin, spring (647)	<a href="#">Buy now</a>
10	<a href="#">65W4411600</a> Spring	<a href="#">Buy now</a>
11	<a href="#">66R4411400</a> Stopper	<a href="#">Buy now</a>
12	<a href="#">9010906M86</a> Bolt	<a href="#">Buy now</a>
13	<a href="#">60RG414300</a> Rod, shift 1 S (17.1")	<a href="#">Buy now</a>
13	<a href="#">60RG414310</a> Rod, shift 1 L (22.1")	<a href="#">Buy now</a>
14	<a href="#">9046818001</a> Clip	<a href="#">Buy now</a>

# Control



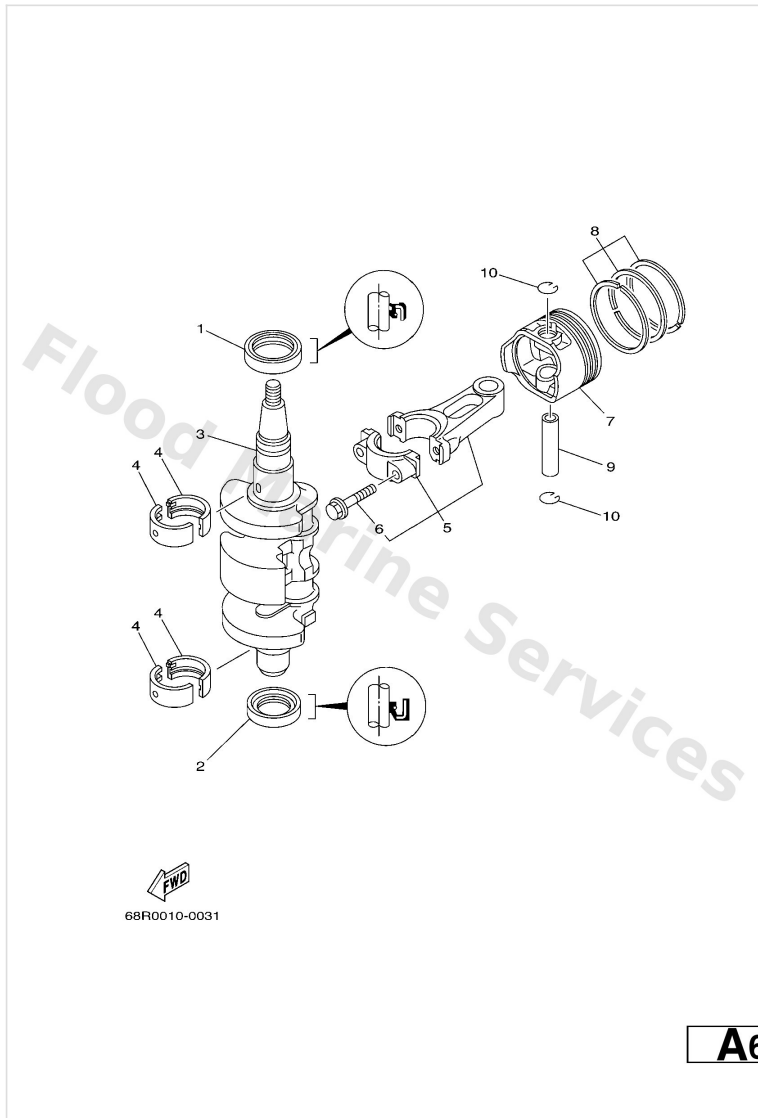
Ref	Part	
15	<a href="#">9017006015</a> Connector, shift rod	<a href="#">Buy now</a>
16	<a href="#">9538006700</a> Nut	<a href="#">Buy now</a>
17	<a href="#">68T4163800</a> Pulley	<a href="#">Buy now</a>
18	<a href="#">68R4128300</a> Lever Free Accel.	<a href="#">Buy now</a>
18	<a href="#">68T4128300</a> Lever, free accel.	<a href="#">Buy now</a>
19	<a href="#">9038706M59</a> Collar (6h3)	<a href="#">Buy now</a>
20	<a href="#">68T4121100</a> Link, accel.	<a href="#">Buy now</a>
20	<a href="#">69F4121100</a> Link, Accel.	<a href="#">Buy now</a>
20	<a href="#">6AU4121100</a> Link, accel.	<a href="#">Buy now</a>
21	<a href="#">68T1449700</a> Stay, throttle wire	<a href="#">Buy now</a>
22	<a href="#">9020106M62</a> Washer, plate (6e5)	<a href="#">Buy now</a>
23	<a href="#">9709506045</a> Bolt, hexagon	<a href="#">Buy now</a>
24	<a href="#">9299506600</a> Washer, plain (646)	<a href="#">Buy now</a>
25	<a href="#">9709506012</a> Bolt(gh1)	<a href="#">Buy now</a>
27	<a href="#">6614126202</a> Joint, choke lever	<a href="#">Buy now</a>

# Control



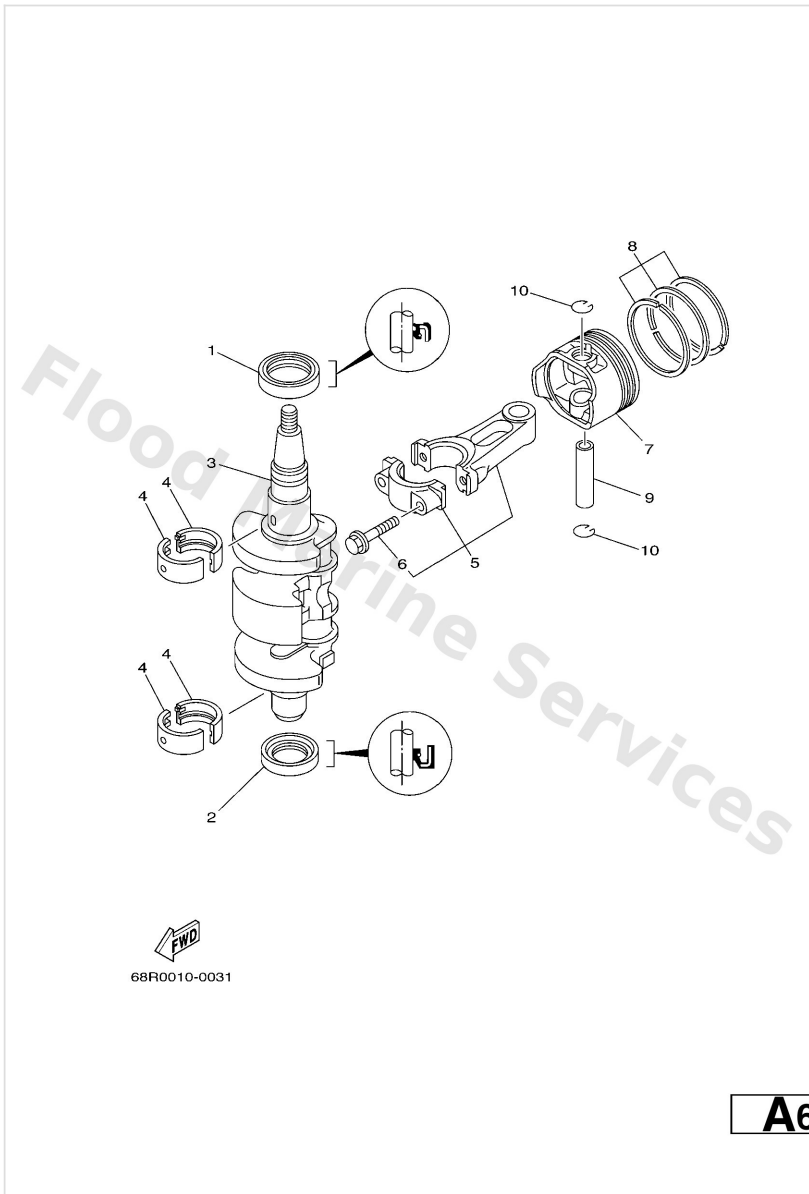
Ref	Part	
28	<a href="#">6471439560</a> Cap,over flow pipe	<a href="#">Buy now</a>

# Crankshaft & Piston



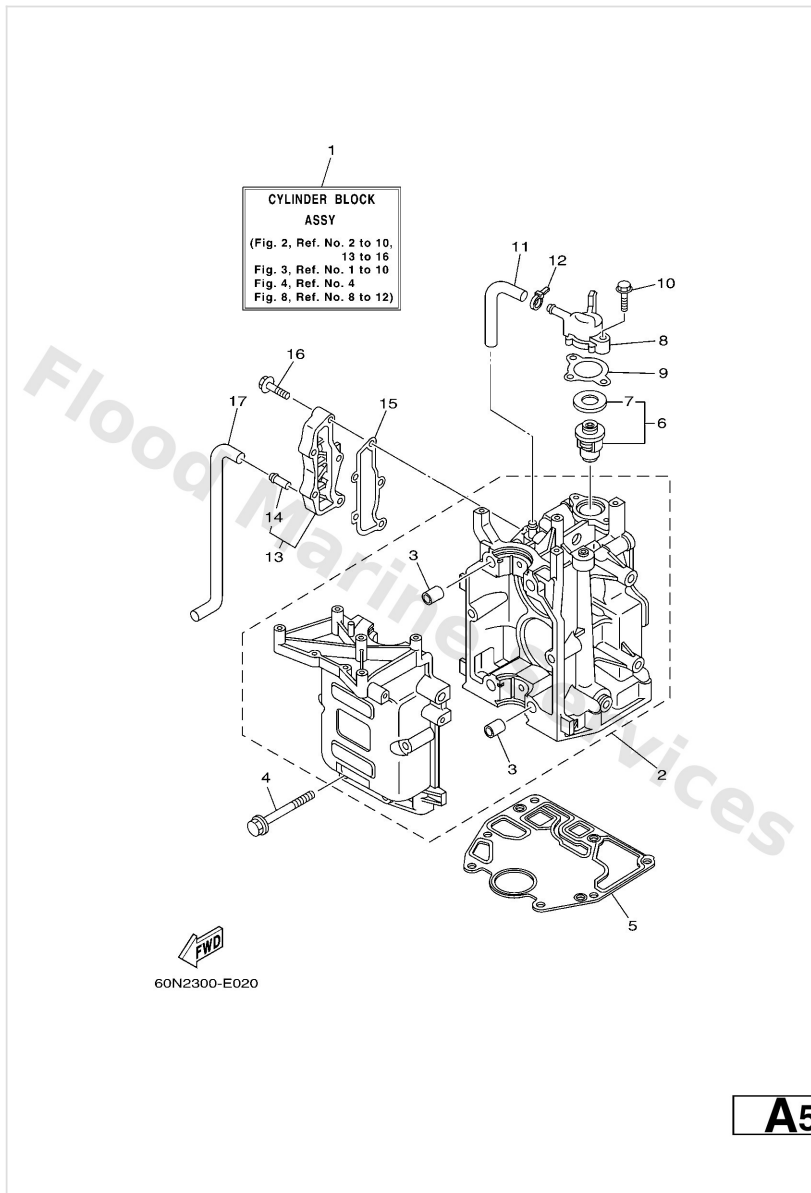
Ref	Part	
1	<a href="#">9310230M22</a> Oil seal (6g8)	<a href="#">Buy now</a>
2	<a href="#">9310125M69</a> Oil seal	<a href="#">Buy now</a>
3	<a href="#">60RE141100</a> -	<a href="#">Buy now</a>
4	<a href="#">68T1141600</a> Plane bearing, crankshaft 1 UR BROWN	<a href="#">Buy now</a>
4	<a href="#">68T1141610</a> Plane bearing, crankshaft 1 UR BLACK	<a href="#">Buy now</a>
4	<a href="#">68T1141620</a> Plane bearing, crankshaft 1 UR BLUE	<a href="#">Buy now</a>
5	<a href="#">68T1165000</a> Connecting rod kit	<a href="#">Buy now</a>
6	<a href="#">67D1165400</a> Bolt, connecting rod	<a href="#">Buy now</a>
7	<a href="#">60RE16310096</a> Piston (std)	<a href="#">Buy now</a>
7	<a href="#">60RE163500</a> Piston (0.25mm o/s) AP	<a href="#">Buy now</a>
7	<a href="#">60RE163600</a> Piston (0.50mm o/s) AP	<a href="#">Buy now</a>
8	<a href="#">60RE160300</a> Piston ring set (std)	<a href="#">Buy now</a>
8	<a href="#">60RE160400</a> Ring piston AP	<a href="#">Buy now</a>
8	<a href="#">60RE160500</a> Piston ring set (0.50mm o/s) AP	<a href="#">Buy now</a>
9	<a href="#">60RE163300</a> Pin, piston	<a href="#">Buy now</a>

# Crankshaft & Piston



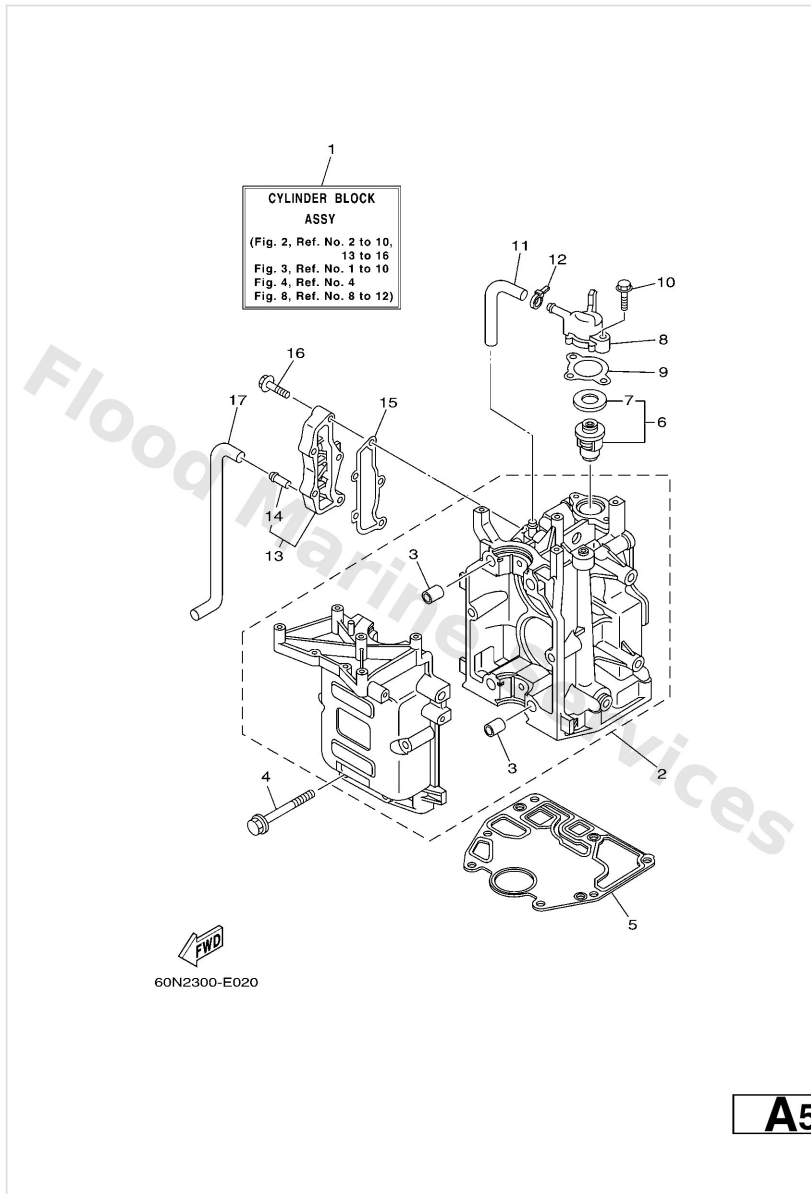
Ref	Part	
10	<a href="#">9345015023</a> Circlip 131116340000	<a href="#">Buy now</a>

# Cylinder & Crankcase 1



Ref	Part	
1	<a href="#">60RWE09B001S</a> Cylinder block ass'y	<a href="#">Buy now</a>
2	<a href="#">60RE5100001S</a> Crank case assembly	<a href="#">Buy now</a>
3	<a href="#">9181212001</a> Pin, dowel	<a href="#">Buy now</a>
4	<a href="#">9011908M29</a> Bolt, with washer	<a href="#">Buy now</a>
5	<a href="#">68T1135100</a> Gasket, cylinder	<a href="#">Buy now</a>
6	<a href="#">66M1241101</a> Thermostat	<a href="#">Buy now</a>
7	<a href="#">6881241200</a> Seal, thermostat	<a href="#">Buy now</a>
8	<a href="#">68T12413001S</a> Cover, thermostat	<a href="#">Buy now</a>
9	<a href="#">60RE2414A0</a> Gasket, cover	<a href="#">Buy now</a>
10	<a href="#">9011906MA2</a> Bolt, with washer	<a href="#">Buy now</a>
11	<a href="#">60RE248100</a> Pipe 1	<a href="#">Buy now</a>
12	<a href="#">9046511M10</a> Clamp	<a href="#">Buy now</a>
13	<a href="#">60RG1113001S</a> Outer cover, exhaust	<a href="#">Buy now</a>
14	<a href="#">6E92437800</a> Pipe, joint 4	<a href="#">Buy now</a>
15	<a href="#">68T41114A0</a> Gasket, exhaust outer cover	<a href="#">Buy now</a>

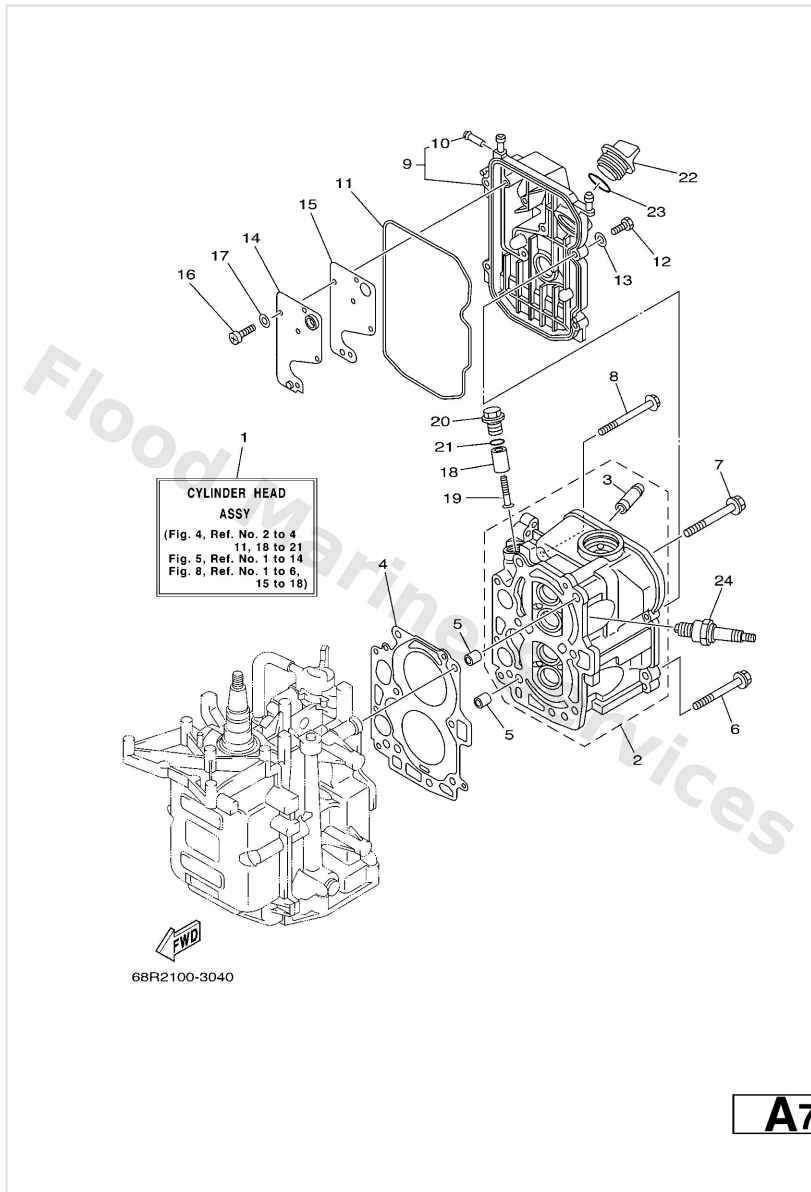
# Cylinder & Crankcase 1



Ref	Part	
16	<a href="#">9011906MA3</a> Bolt, with washer	<a href="#">Buy now</a>
17	<a href="#">60RE248200</a> Pipe 2	<a href="#">Buy now</a>

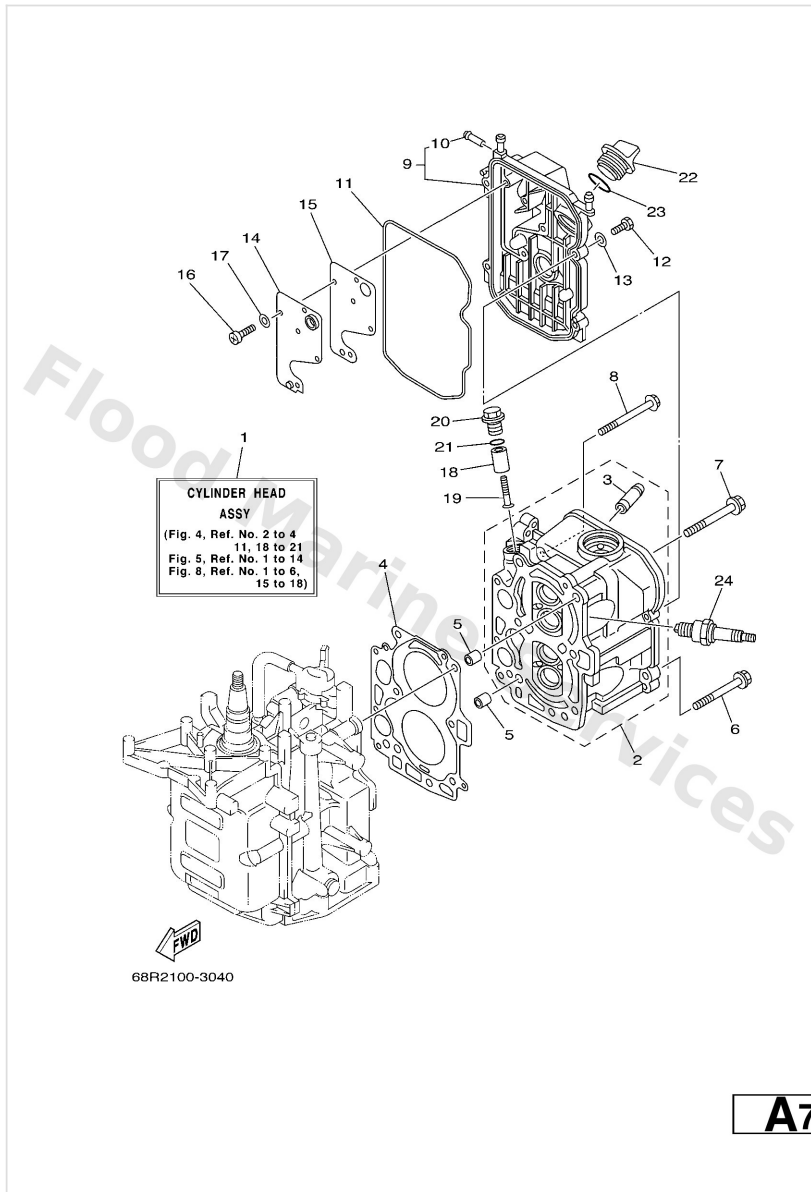


# Cylinder & Crankcase 2



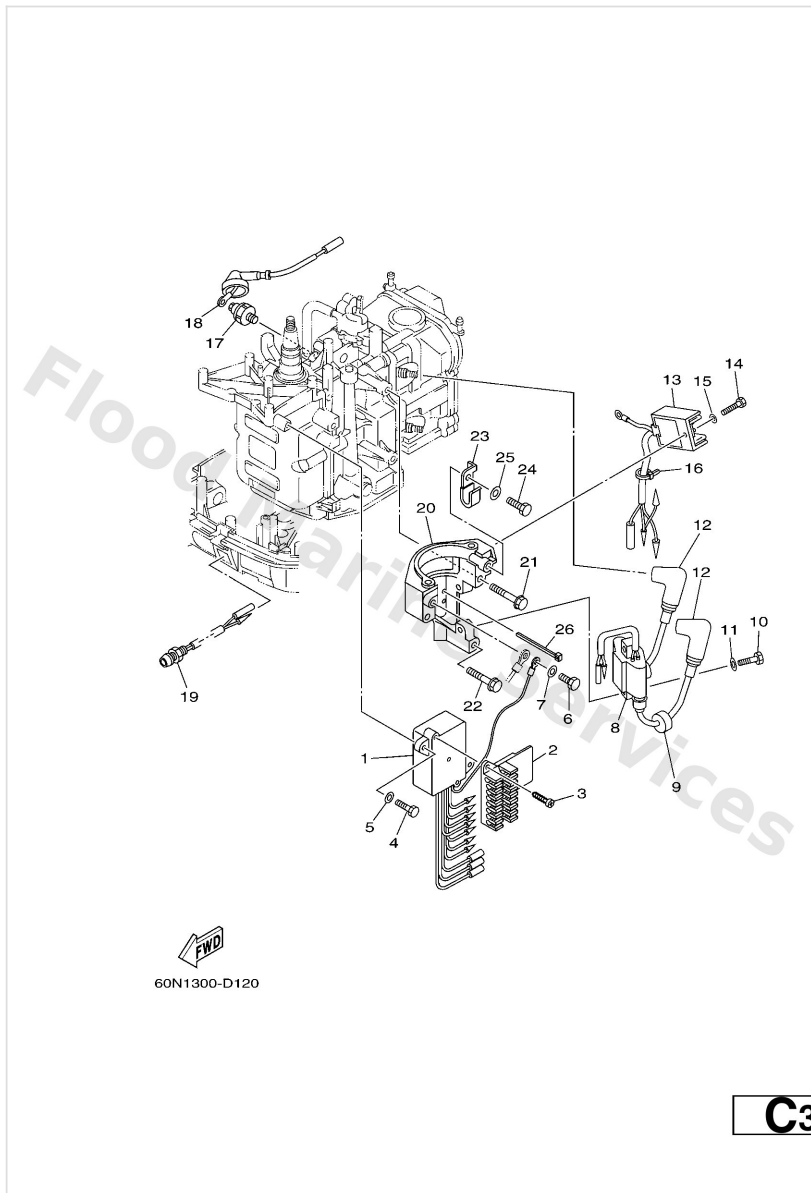
Ref	Part	
1	<a href="#">60RWE09A001S</a> Cylinder head assembly	<a href="#">Buy now</a>
2	<a href="#">60RE1111001S</a> Head, cylinder 1	<a href="#">Buy now</a>
3	<a href="#">67D1113310</a> Guide, valve 1	<a href="#">Buy now</a>
4	<a href="#">68T1118100</a> Gasket, cylinder head 1	<a href="#">Buy now</a>
5	<a href="#">9951010114</a> Pin, dowel(3vd)	<a href="#">Buy now</a>
6	<a href="#">9010508M36</a> Bolt (6g8)	<a href="#">Buy now</a>
7	<a href="#">9010508M78</a> Bolt, washer based	<a href="#">Buy now</a>
8	<a href="#">9011906049</a> Bolt, with washer	<a href="#">Buy now</a>
9	<a href="#">60RE1191001S</a> Cover, cylinder head 1	<a href="#">Buy now</a>
10	<a href="#">6502437800</a> Pipe, joint 2	<a href="#">Buy now</a>
11	<a href="#">68T1135600</a> Seal, cylinder 2	<a href="#">Buy now</a>
12	<a href="#">9709506020</a> Bolt(7u8)	<a href="#">Buy now</a>
13	<a href="#">9299506600</a> Washer, plain (646)	<a href="#">Buy now</a>
14	<a href="#">68T1116800</a> Cover, breather	<a href="#">Buy now</a>
15	<a href="#">68T11169A0</a> Gasket, breather cover	<a href="#">Buy now</a>

# Cylinder & Crankcase 2



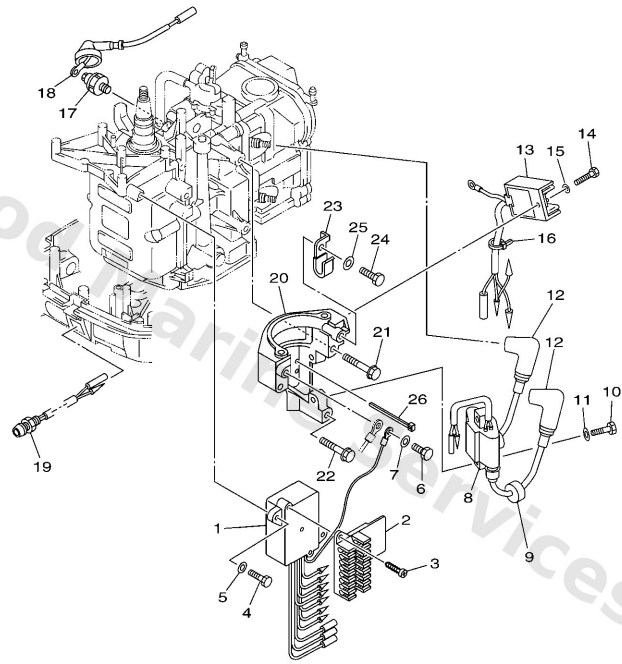
Ref	Part	
16	<a href="#">9850704010</a> Screw, pan head(6g8)	<a href="#">Buy now</a>
17	<a href="#">9290704600</a> Washer(jf2)	<a href="#">Buy now</a>
18	<a href="#">6G81132500</a> Anode	<a href="#">Buy now</a>
19	<a href="#">9788005025</a> Screw, panhead (a93)	<a href="#">Buy now</a>
20	<a href="#">6G81119701</a> Plug, blind	<a href="#">Buy now</a>
21	<a href="#">9321013M63</a> O-ring (6g8)	<a href="#">Buy now</a>
22	<a href="#">69ME536300</a> Plug, oil	<a href="#">Buy now</a>
23	<a href="#">9321024M79</a> O-ring	<a href="#">Buy now</a>
24	<a href="#">9470200274</a> Plug, spark (br6hs-10)	<a href="#">Buy now</a>

# Electrical 1



Ref	Part	
1	<a href="#">68R8554000</a> C.d.i. Unit assembly	<a href="#">Buy now</a>
1	<a href="#">68T8554000</a> C.d.i. unit assembly	<a href="#">Buy now</a>
1	<a href="#">69F8554000</a> -	<a href="#">Buy now</a>
2	<a href="#">68T8252200</a> Clamp, coupler	<a href="#">Buy now</a>
3	<a href="#">9778040512</a> Screw, pan head tapping	<a href="#">Buy now</a>
4	<a href="#">9709506020</a> Bolt(7u8)	<a href="#">Buy now</a>
5	<a href="#">9299506600</a> Washer, plain (646)	<a href="#">Buy now</a>
6	<a href="#">9709506012</a> Bolt(gh1)	<a href="#">Buy now</a>
8	<a href="#">6808557001</a> Ignition coil assembly	<a href="#">Buy now</a>
9	<a href="#">9048025161</a> Grommet(656)	<a href="#">Buy now</a>
10	<a href="#">9709506025</a> Bolt	<a href="#">Buy now</a>
12	<a href="#">6E38237021</a> Plug cap assembly	<a href="#">Buy now</a>
13	<a href="#">68T8196000</a> Rectifier & regulator assembly	<a href="#">Buy now</a>
16	<a href="#">9046511M10</a> Clamp	<a href="#">Buy now</a>
17	<a href="#">67F8250400</a> Oil pressure switch assembly	<a href="#">Buy now</a>

# Electrical 1

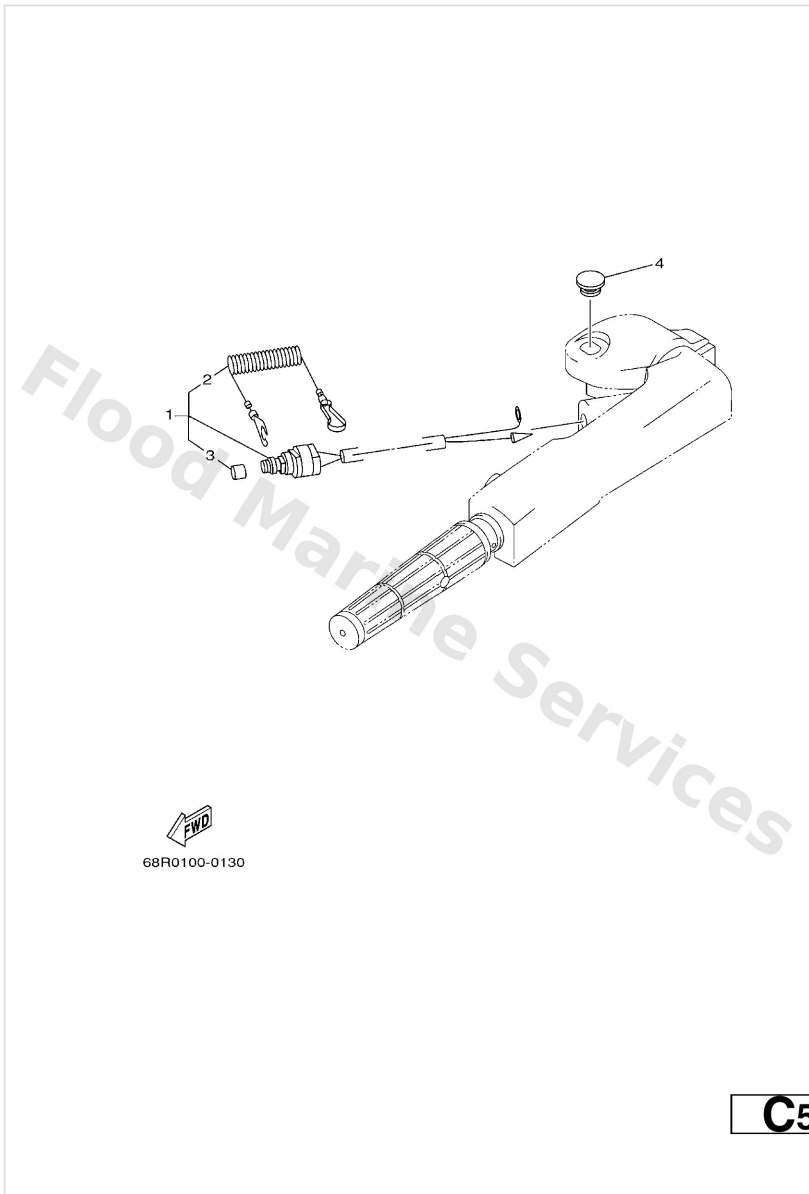


  
60N1300-D120

**C3**

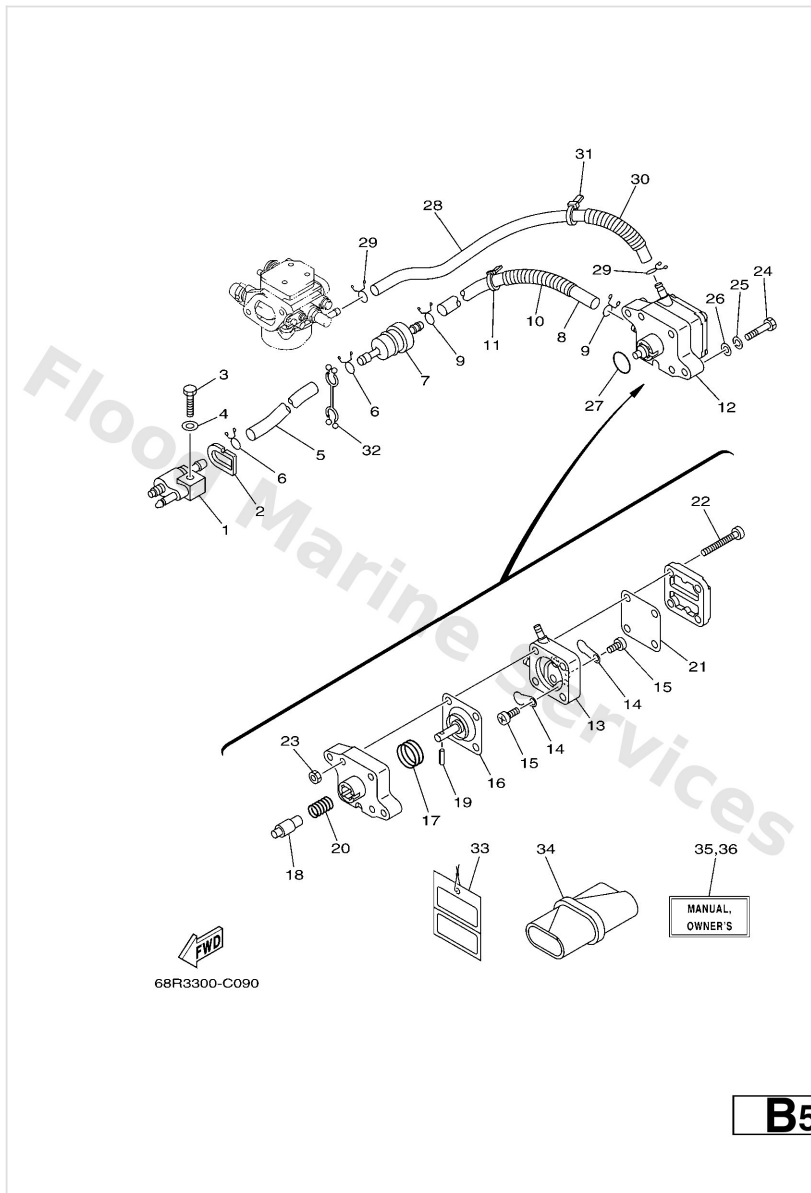
Ref	Part	
18	<a href="#">68T8212710</a> Wire, lead 2	<a href="#">Buy now</a>
19	<a href="#">68T8541000</a> Emergency signal light assembly	<a href="#">Buy now</a>
20	<a href="#">68T818220094</a> Bracket, starting motor	<a href="#">Buy now</a>
21	<a href="#">9011908046</a> Bolt, with washer	<a href="#">Buy now</a>
22	<a href="#">9011908020</a> Bolt, with washer	<a href="#">Buy now</a>
23	<a href="#">9046508M99</a> Clamp	<a href="#">Buy now</a>

## Electrical 2



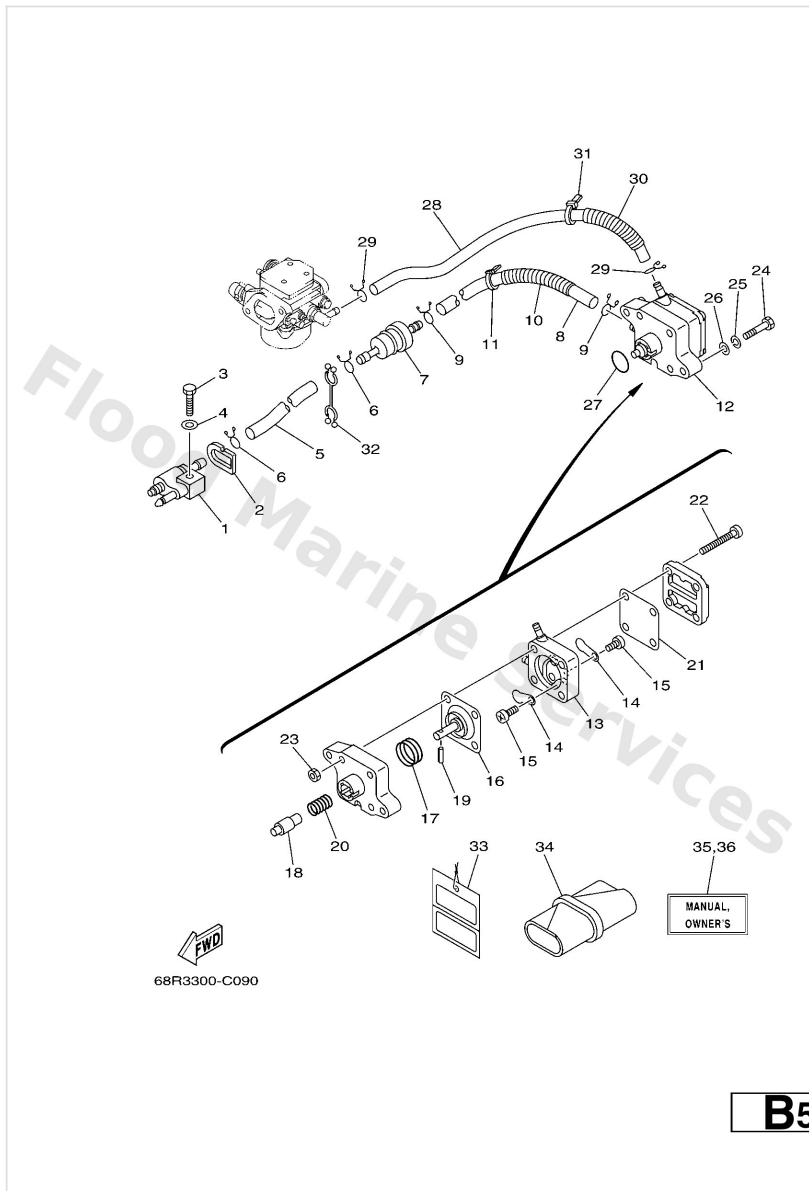
Ref	Part	
1	<a href="#">65W8257501</a> Engine stop switch assembly	<a href="#">Buy now</a>
2	<a href="#">6828255600</a> Lanyard, stop switch	<a href="#">Buy now</a>
3	<a href="#">6898257Y00</a> Cap	<a href="#">Buy now</a>
4	<a href="#">6G14272500</a> Grommet	<a href="#">Buy now</a>

# Fuel



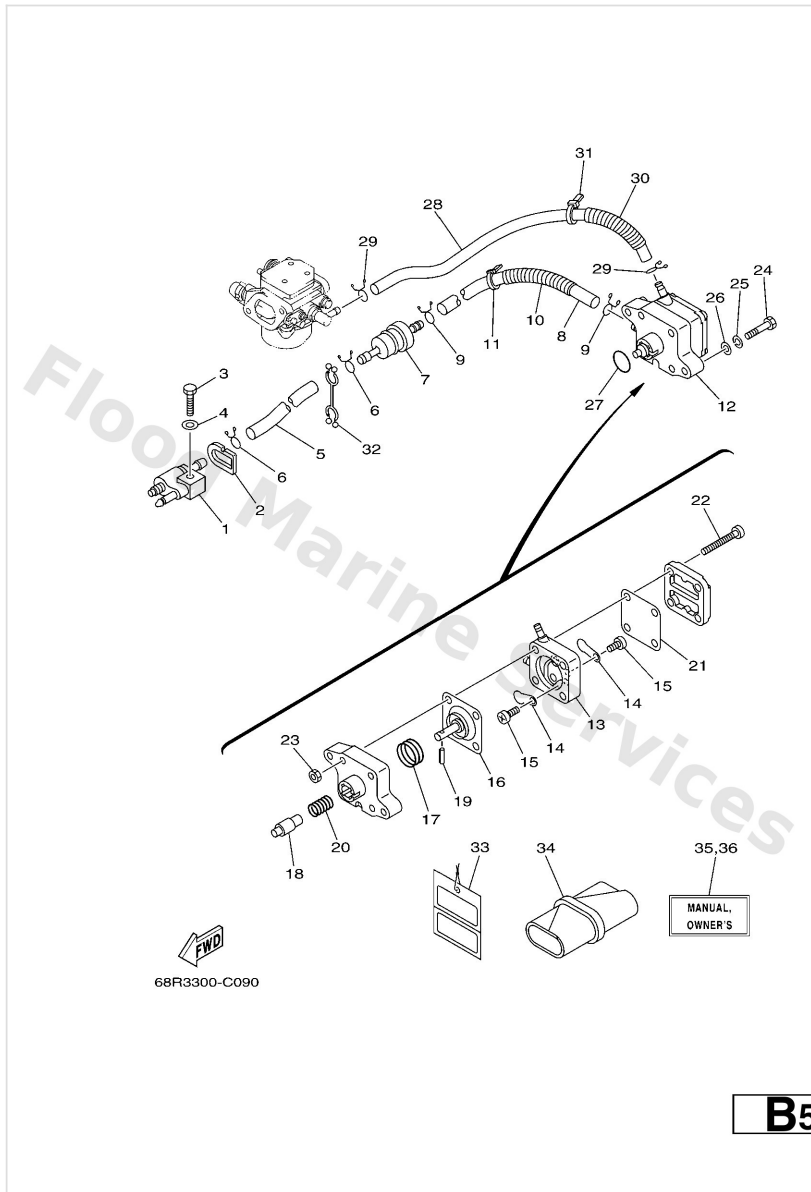
Ref	Part	
1	<a href="#">6G12430402</a> Fuel pipe joint comp. 1	<a href="#">Buy now</a>
2	<a href="#">60RF432900</a> Seal	<a href="#">Buy now</a>
3	<a href="#">9709506025</a> Bolt	<a href="#">Buy now</a>
4	<a href="#">9299506600</a> Washer, plain (646)	<a href="#">Buy now</a>
5	<a href="#">9044510809</a> Hose	<a href="#">Buy now</a>
6	<a href="#">9046709M09</a> Clip(6k8)	<a href="#">Buy now</a>
7	<a href="#">68T2425100</a> Strainer 1	<a href="#">Buy now</a>
8	<a href="#">9044510811</a> Hose (l400)	<a href="#">Buy now</a>
10	<a href="#">9044614M66</a> Hose(64x)	<a href="#">Buy now</a>
11	<a href="#">9046511M10</a> Clamp	<a href="#">Buy now</a>
12	<a href="#">68T2441000</a> Fuel pump assembly	<a href="#">Buy now</a>
13	<a href="#">66M2441301</a> Body 2	<a href="#">Buy now</a>
14	<a href="#">6A02442101</a> Valve, check	<a href="#">Buy now</a>
15	<a href="#">6E71432500</a> Screw, pan head	<a href="#">Buy now</a>
16	<a href="#">66M2441100</a> Diaphragm	<a href="#">Buy now</a>

# Fuel



Ref	Part	
17	<a href="#">66M2442300</a> Spring, diaphragm	<a href="#">Buy now</a>
18	<a href="#">66M1313100</a> Plunger	<a href="#">Buy now</a>
19	<a href="#">66M2437400</a> Pin	<a href="#">Buy now</a>
20	<a href="#">66M2445400</a> Spring	<a href="#">Buy now</a>
21	<a href="#">66M2447100</a> Diaphragm	<a href="#">Buy now</a>
22	<a href="#">66M2444400</a> Screw	<a href="#">Buy now</a>
23	<a href="#">9538004600</a> Nut,hex	<a href="#">Buy now</a>
24	<a href="#">9709506030</a> Bolt(jf7)	<a href="#">Buy now</a>
25	<a href="#">9299506100</a> Washer(6a1)	<a href="#">Buy now</a>
27	<a href="#">9321020M65</a> O-ring	<a href="#">Buy now</a>
28	<a href="#">9044510810</a> Pipe, fuel 1	<a href="#">Buy now</a>
32	<a href="#">9046410M53</a> Clamp	<a href="#">Buy now</a>
33	<a href="#">61H2819R31</a> Tag Warning	<a href="#">Buy now</a>
34	<a href="#">68T2810000</a> Tool kit	<a href="#">Buy now</a>
35	<a href="#">60RF819971D0</a> O/m f6a/f8c/ft8d/f6b '06 UR (NL)	<a href="#">Buy now</a>

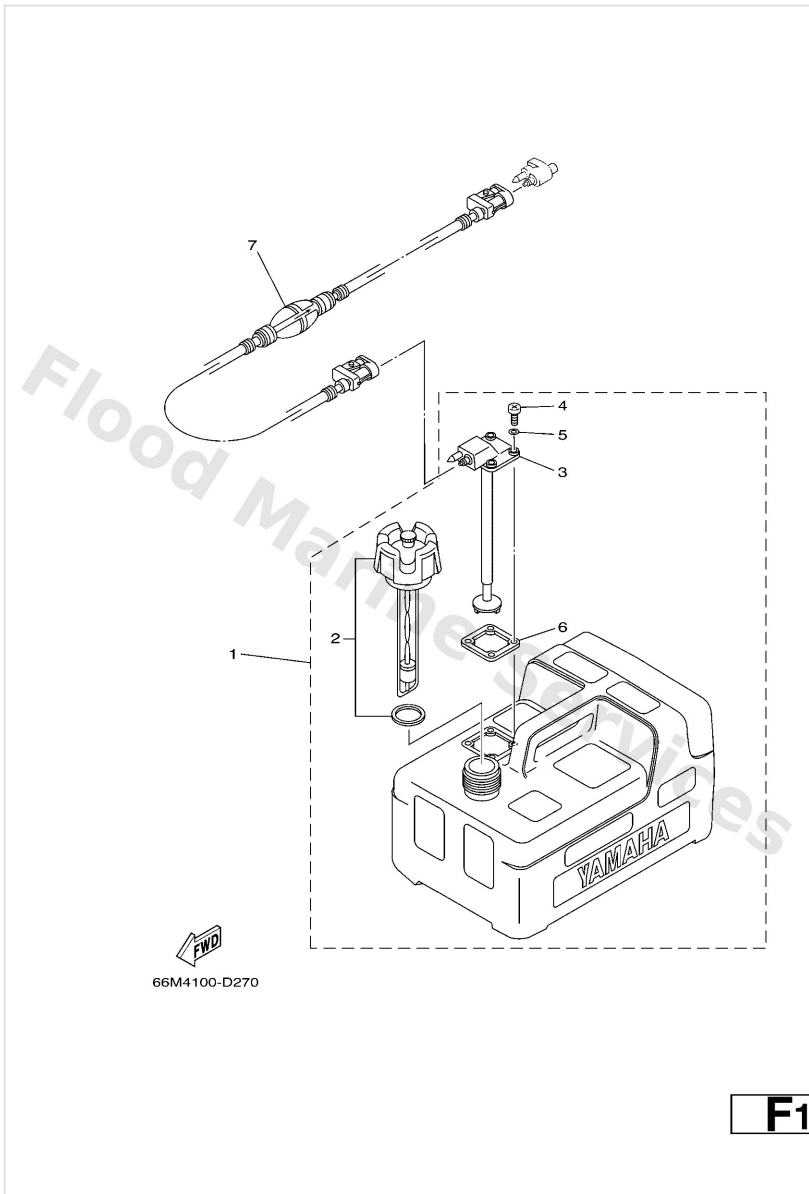
# Fuel



Ref	Part	
35	<a href="#">60RF819971E0</a> O/m f6a/f8c/ft8d/f6b '06 UR (E)	<a href="#">Buy now</a>
35	<a href="#">60RF819971F0</a> O/m f6a/f8c/ft8d/f6b '06 UR (F)	<a href="#">Buy now</a>
35	<a href="#">60RF819971G0</a> O/m f6a/f8c/ft8d/f6b '06 UR (D)	<a href="#">Buy now</a>
35	<a href="#">60RF819971H0</a> O/m f6a/f8c/ft8d/f6b '06 UR (I)	<a href="#">Buy now</a>
35	<a href="#">60RF819971S0</a> O/m f6a/f8c/ft8d/f6b '06 UR (ES)	<a href="#">Buy now</a>
36	<a href="#">60RF819981K0</a> O/m f6a/f8c/ft8d/f6b '06 UR (DK)	<a href="#">Buy now</a>
36	<a href="#">60RF819981L0</a> O/m f6a/f8c/ft8d/f6b '06 UR (SF)	<a href="#">Buy now</a>
36	<a href="#">60RF819981M0</a> O/m f6a/f8c/ft8d/f6b '06 UR (S)	<a href="#">Buy now</a>
36	<a href="#">60RF819981N0</a> O/m f6a/f8c/ft8d/f6b '06 UR (N)	<a href="#">Buy now</a>
36	<a href="#">60RF819981P0</a> O/m f6a/f8c/ft8d/f6b '06 UR (P)	<a href="#">Buy now</a>
36	<a href="#">60RF819981R0</a> O/m f6a/f8c/ft8d/f6b '06 UR (GR)	<a href="#">Buy now</a>

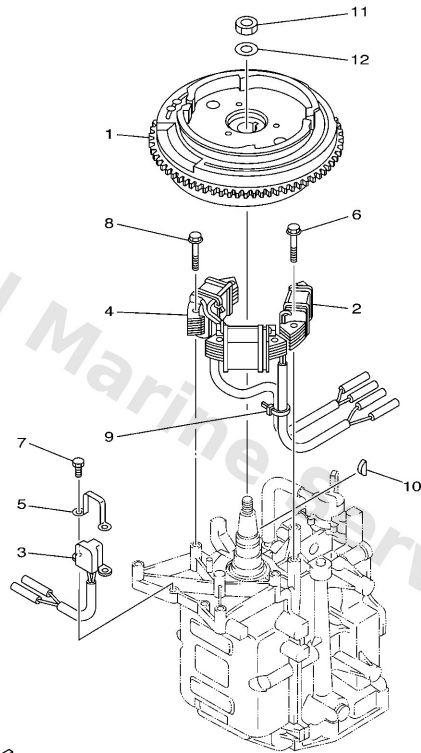


# Fuel Tank



Ref	Part	
1	<a href="#">6YL2420104</a> - AP	<a href="#">Buy now</a>
2	<a href="#">6YL2461001</a> Cap assembly	<a href="#">Buy now</a>
3	<a href="#">6YL2426001</a> Fuel meter assembly	<a href="#">Buy now</a>
4	<a href="#">9015705M16</a> Screw, pan head	<a href="#">Buy now</a>
5	<a href="#">6YL2432900</a> Seal	<a href="#">Buy now</a>
6	<a href="#">6YL2426801</a> Gasket, fuel meter	<a href="#">Buy now</a>
7	<a href="#">6YL2430653</a> Fuel pipe comp. 1 AP	<a href="#">Buy now</a>

# Generator

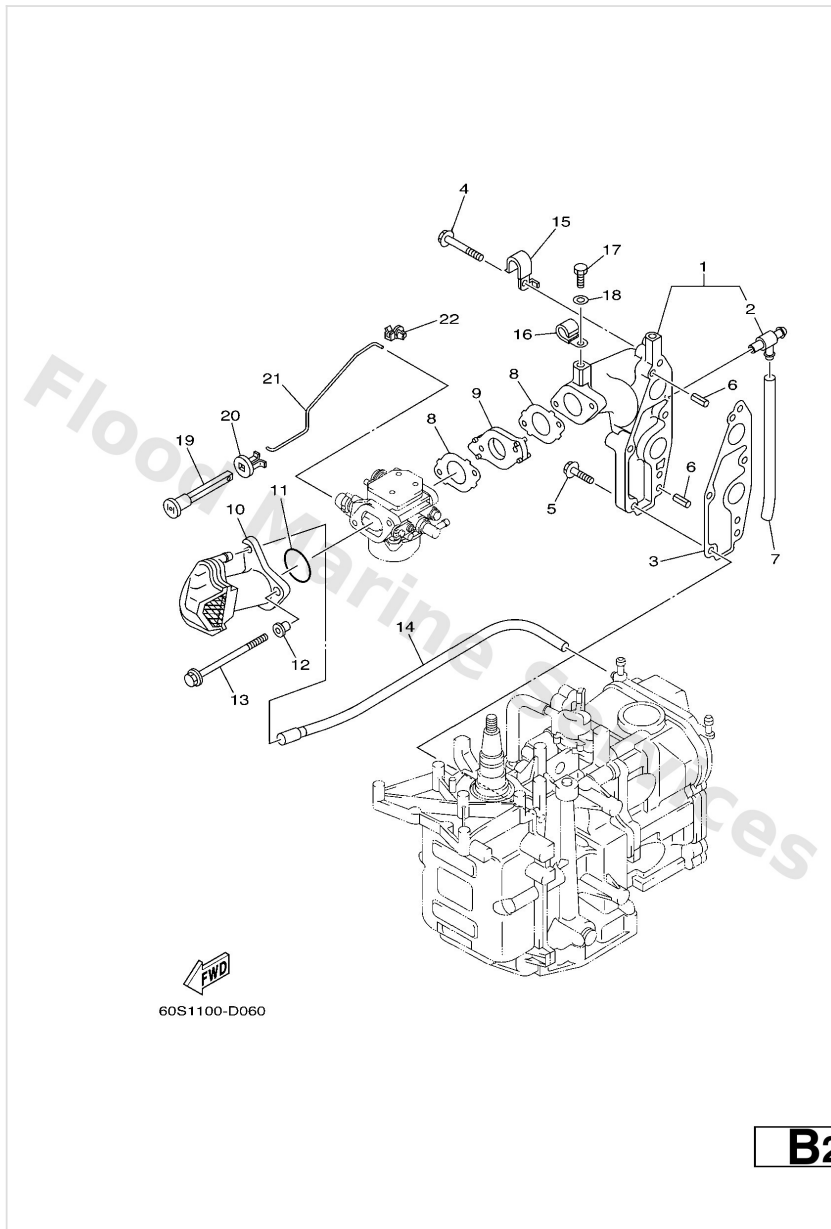


  
60N1300-D110

**C2**

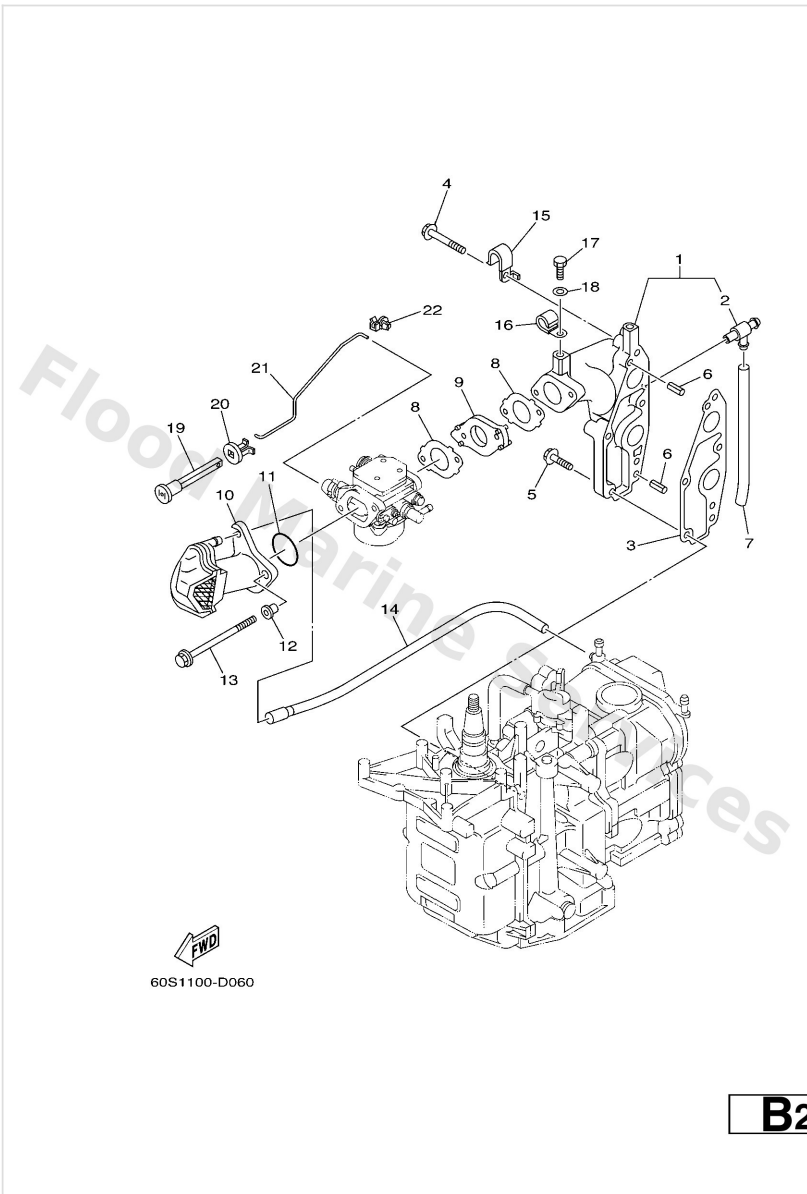
Ref	Part	
1	<a href="#">68T8555011</a> Rotor assembly	<a href="#">Buy now</a>
2	<a href="#">68T8552000</a> Coil, charge	<a href="#">Buy now</a>
3	<a href="#">68T8558001</a> Coil, pulser	<a href="#">Buy now</a>
4	<a href="#">68T8553310</a> Coil, lighting	<a href="#">Buy now</a>
5	<a href="#">6H28558200</a> Attachment, pulser	<a href="#">Buy now</a>
6	<a href="#">9011906014</a> Bolt, with washer(61b)	<a href="#">Buy now</a>
7	<a href="#">9709505010</a> Bolt (682)	<a href="#">Buy now</a>
8	<a href="#">9011906MA1</a> Bolt, with washer(63m)	<a href="#">Buy now</a>
9	<a href="#">9046511M10</a> Clamp	<a href="#">Buy now</a>
10	<a href="#">9028004M06</a> Key, woodruff(6a1)	<a href="#">Buy now</a>
11	<a href="#">9017012066</a> Nut, hexagon 6481155500	<a href="#">Buy now</a>
12	<a href="#">9020112472</a> Washer, plate (4n0)	<a href="#">Buy now</a>

# Intake



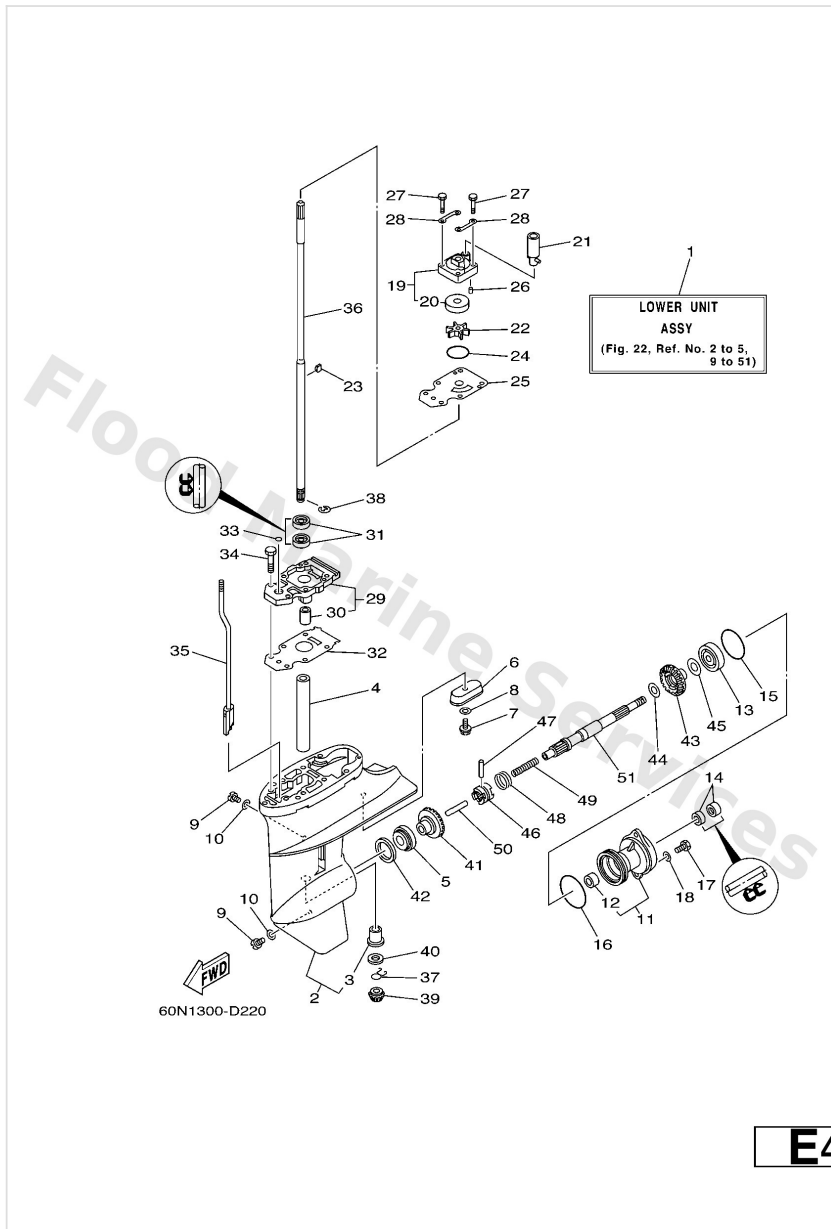
Ref	Part	
1	<a href="#">60RE3641201S</a> Manifold 1 FLUSHING KIT	<a href="#">Buy now</a>
2	<a href="#">67F1248200</a> Pipe 2	<a href="#">Buy now</a>
3	<a href="#">68T1364500</a> Gasket, manifold 1	<a href="#">Buy now</a>
4	<a href="#">9011906MA5</a> Bolt, with washer	<a href="#">Buy now</a>
5	<a href="#">9011906MA3</a> Bolt, with washer	<a href="#">Buy now</a>
6	<a href="#">9169050014</a> Pin, spring (647)	<a href="#">Buy now</a>
7	<a href="#">9044509812</a> Hose (L93) FLUSHING KIT	<a href="#">Buy now</a>
8	<a href="#">60RE3646A0</a> Gasket, manifold 2	<a href="#">Buy now</a>
9	<a href="#">68T1427100</a> Insulator	<a href="#">Buy now</a>
10	<a href="#">60RE444000</a> Silencer assembly, intake	<a href="#">Buy now</a>
11	<a href="#">9321031MJ5</a> O-ring	<a href="#">Buy now</a>
12	<a href="#">9038706M70</a> Collar (6h5)	<a href="#">Buy now</a>
13	<a href="#">9759506585</a> Bolt, flange	<a href="#">Buy now</a>
14	<a href="#">60RE248300</a> Pipe 3	<a href="#">Buy now</a>
15	<a href="#">9046508M99</a> Clamp	<a href="#">Buy now</a>

# Intake



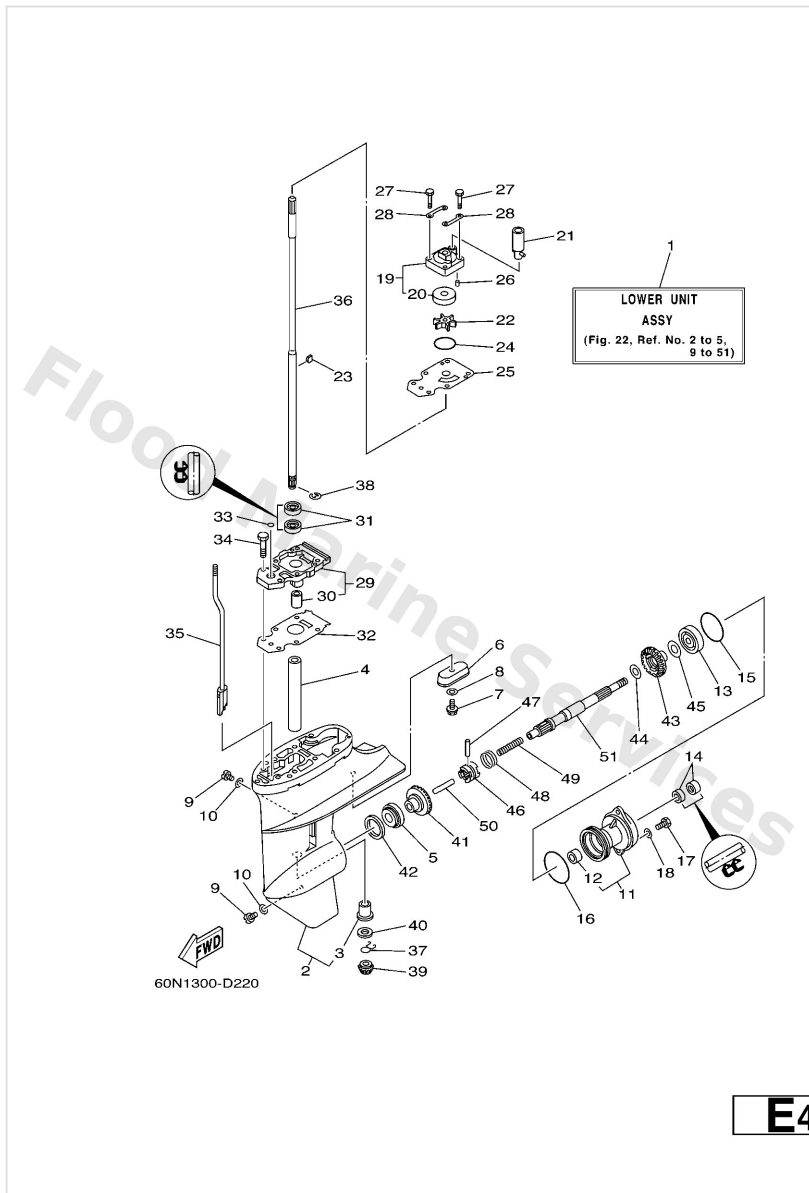
Ref	Part	
16	<a href="#">9046508M83</a> Clamp FLUSHING KIT	<a href="#">Buy now</a>
17	<a href="#">9709506010</a> Bolt FLUSHING KIT	<a href="#">Buy now</a>
18	<a href="#">9299506600</a> Washer, plain (646) FLUSHING KIT	<a href="#">Buy now</a>
19	<a href="#">6H44127101</a> Knob, choke	<a href="#">Buy now</a>
20	<a href="#">6894127300</a> Grommet	<a href="#">Buy now</a>
21	<a href="#">68T4125600</a> Rod, choke 1	<a href="#">Buy now</a>
22	<a href="#">6J84126200</a> Joint, choke lever	<a href="#">Buy now</a>

# Lower Casing & Drive 1



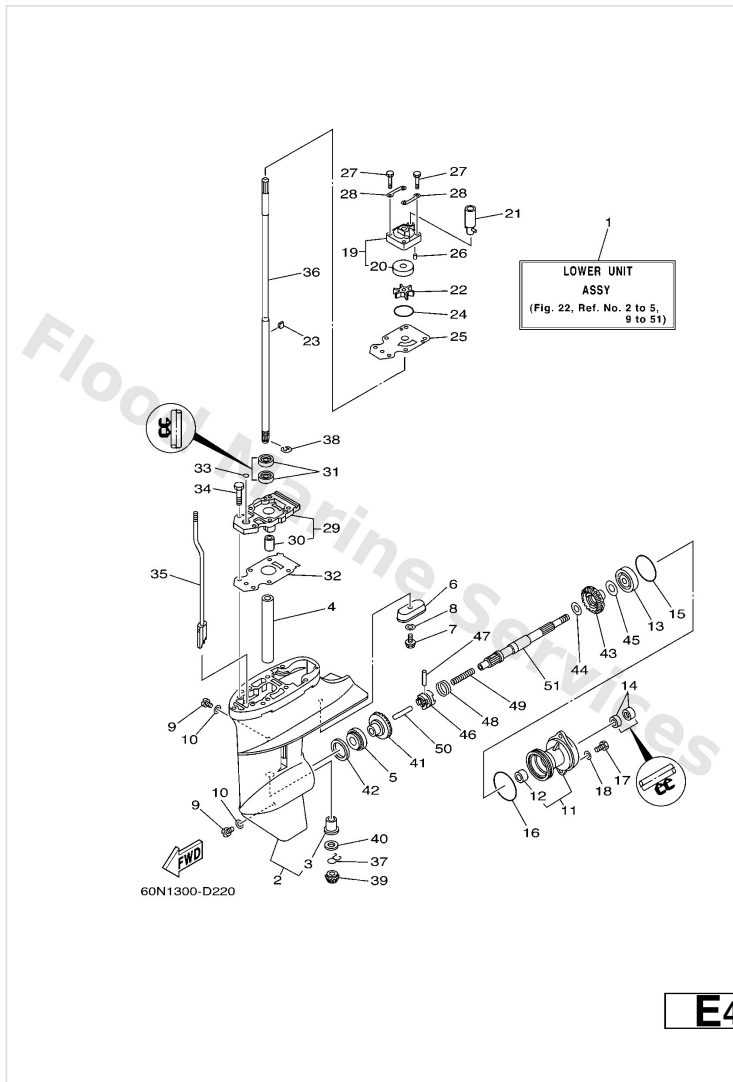
Ref	Part	
1	<a href="#">60RG5300004D</a> Lower unit assembly S (17.1")	<a href="#">Buy now</a>
1	<a href="#">60RG5300104D</a> Lower unit assembly L (22.1")	<a href="#">Buy now</a>
2	<a href="#">60RG5311004D</a> Casing, lower	<a href="#">Buy now</a>
3	<a href="#">6G14531709</a> Bushing, drive shaft 2	<a href="#">Buy now</a>
4	<a href="#">9038714M49</a> Collar (6g1)	<a href="#">Buy now</a>
5	<a href="#">93306004YH</a> Bearing (7k2)	<a href="#">Buy now</a>
6	<a href="#">68T4525100</a> Anode	<a href="#">Buy now</a>
7	<a href="#">9589506016</a> Bolt, flange deep recess	<a href="#">Buy now</a>
8	<a href="#">9299006300</a> Washer, tooth	<a href="#">Buy now</a>
9	<a href="#">9034008002</a> Plug, straight screw	<a href="#">Buy now</a>
10	<a href="#">9043008020</a> Gasket	<a href="#">Buy now</a>
11	<a href="#">6N0G5361004D</a> Cap, lower casing	<a href="#">Buy now</a>
12	<a href="#">6G14536209</a> Bushing, lower casing cap	<a href="#">Buy now</a>
14	<a href="#">9310115074</a> Oil seal (655)	<a href="#">Buy now</a>
15	<a href="#">9321049046</a> O-ring (620)	<a href="#">Buy now</a>

# Lower Casing & Drive 1



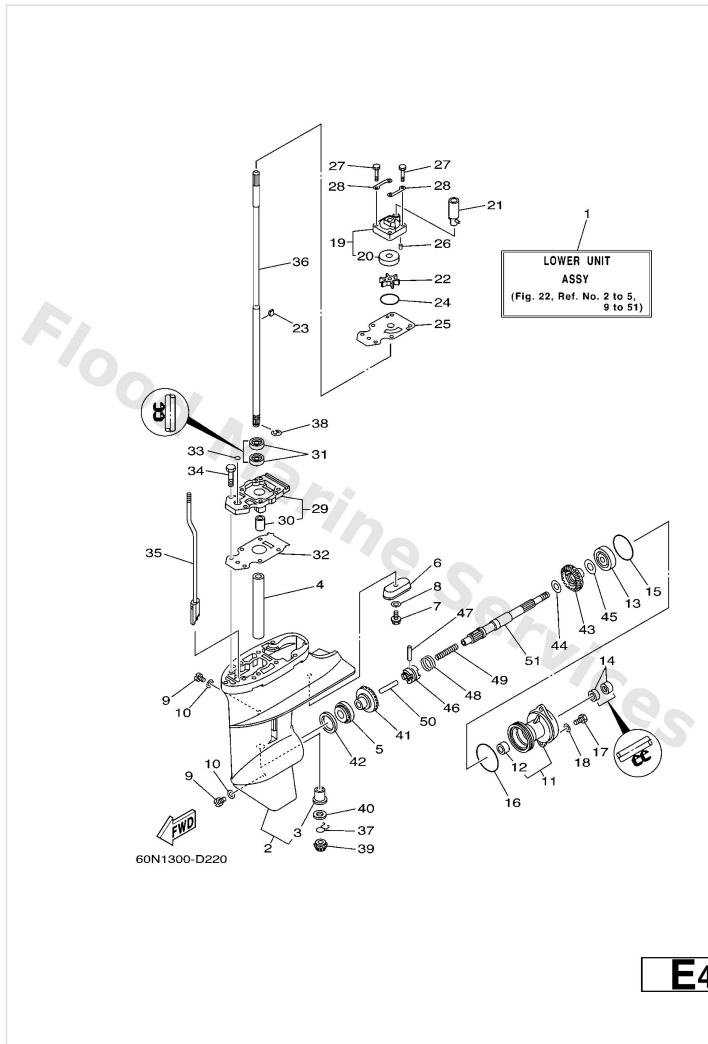
Ref	Part	
16	<a href="#">9321053M08</a> O-ring(50m)	<a href="#">Buy now</a>
17	<a href="#">9709506016</a> Bolt, hexagon deep recess	<a href="#">Buy now</a>
18	<a href="#">9299506600</a> Washer, plain (646)	<a href="#">Buy now</a>
19	<a href="#">63V4430100</a> Water pump housing comp.	<a href="#">Buy now</a>
20	<a href="#">63V4432200</a> Insert, cartridge	<a href="#">Buy now</a>
21	<a href="#">68T4436600</a> Damper, water seal 2	<a href="#">Buy now</a>
22	<a href="#">68T4435200</a> Impeller	<a href="#">Buy now</a>
23	<a href="#">6644433800</a> Key, woodruff	<a href="#">Buy now</a>
24	<a href="#">9321044398</a> O-ring(55x)	<a href="#">Buy now</a>
25	<a href="#">68T4432300</a> Outer plate, cartridge	<a href="#">Buy now</a>
26	<a href="#">9360412M07</a> Pin, dowel (688)	<a href="#">Buy now</a>
27	<a href="#">9708008045</a> Bolt, hexagon	<a href="#">Buy now</a>
28	<a href="#">63V4432800</a> Plate	<a href="#">Buy now</a>
29	<a href="#">60RG5331005B</a> Housing, bearing	<a href="#">Buy now</a>
30	<a href="#">6G14531609</a> Bushing, drive shaft 1	<a href="#">Buy now</a>

# Lower Casing & Drive 1



Ref	Part	
31	<a href="#">9310111M23</a> Oil seal (6g1)	<a href="#">Buy now</a>
32	<a href="#">68T45315A0</a> Packing, lower casing	<a href="#">Buy now</a>
33	<a href="#">9321006ME6</a> O-ring	<a href="#">Buy now</a>
34	<a href="#">9708008025</a> Screw, bind(j36)	<a href="#">Buy now</a>
35	<a href="#">60RG415000</a> Shift cam assembly	<a href="#">Buy now</a>
36	<a href="#">68T4551100</a> Shaft, drive S (17.1")	<a href="#">Buy now</a>
36	<a href="#">68T4551110</a> Shaft, drive L (22.1")	<a href="#">Buy now</a>
37	<a href="#">9046709M05</a> Clip (6g1)	<a href="#">Buy now</a>
38	<a href="#">9900107600</a> Circlip(6I2)	<a href="#">Buy now</a>
39	<a href="#">6N0G5551A0</a> Pinion	<a href="#">Buy now</a>
40	<a href="#">6G14553300</a> Shim (t:1.9mm) UR	<a href="#">Buy now</a>
40	<a href="#">6G14553310</a> Shim (t:2.0mm) UR	<a href="#">Buy now</a>
40	<a href="#">6G14553320</a> Shim (t:2.1mm) UR	<a href="#">Buy now</a>
40	<a href="#">6G14553330</a> Shim (t:2.2mm) UR	<a href="#">Buy now</a>
41	<a href="#">60RG556000</a> Gear	<a href="#">Buy now</a>

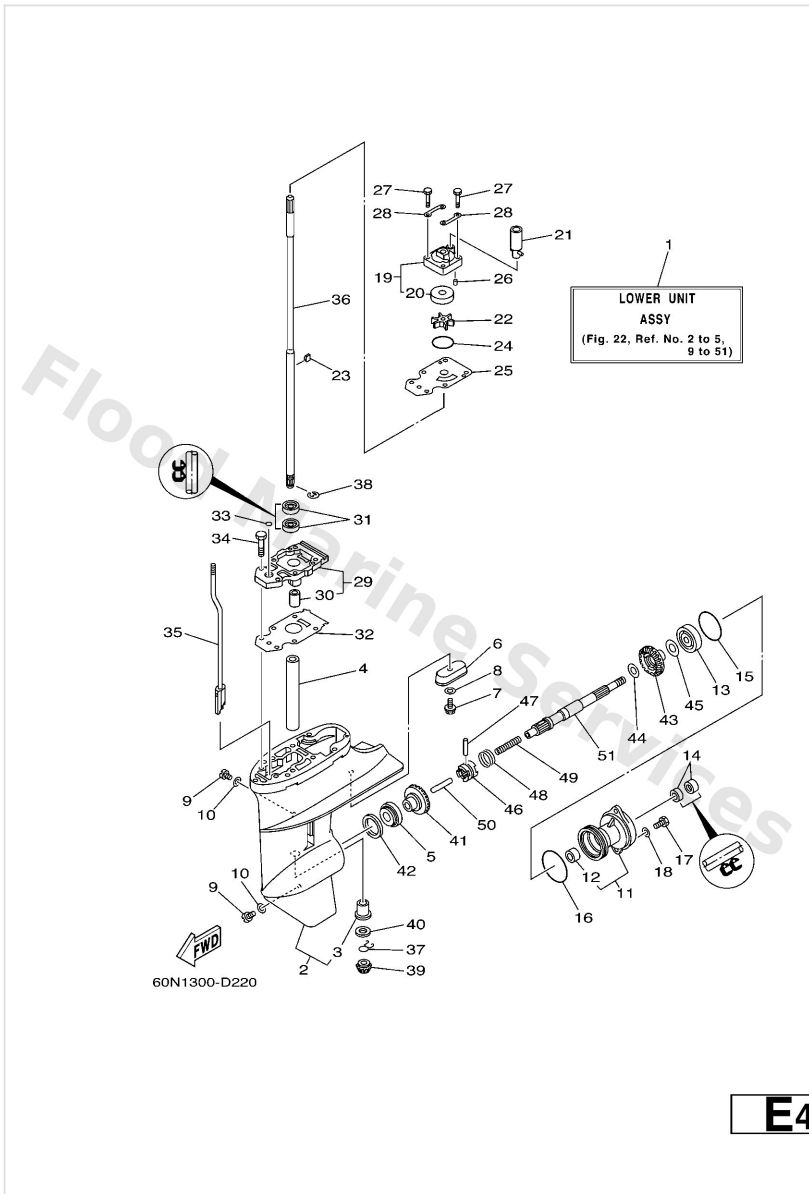
# Lower Casing & Drive 1



Ref	Part	
42	<a href="#">6644558701</a> Shim (t:0.10mm) UR	<a href="#">Buy now</a>
42	<a href="#">6644558710</a> Shim (t:0.12mm) UR	<a href="#">Buy now</a>
42	<a href="#">6644558720</a> Shim (t:0.15mm) UR	<a href="#">Buy now</a>
42	<a href="#">6644558730</a> Shim (t:0.18mm) UR	<a href="#">Buy now</a>
42	<a href="#">6644558740</a> Shim (t:0.30mm) UR	<a href="#">Buy now</a>
42	<a href="#">6644558750</a> Shim (t:0.40mm) UR	<a href="#">Buy now</a>
42	<a href="#">6644558760</a> Shim (t:0.50mm) UR	<a href="#">Buy now</a>
43	<a href="#">60RG557100</a> Gear	<a href="#">Buy now</a>
44	<a href="#">9020115M89</a> Washer, plate (6g1)	<a href="#">Buy now</a>
45	<a href="#">6474556700</a> Shim, gear adjust UN	<a href="#">Buy now</a>
46	<a href="#">68T4563100</a> Clutch, dog	<a href="#">Buy now</a>
47	<a href="#">6G14563200</a> Cross, pin	<a href="#">Buy now</a>
48	<a href="#">6544563300</a> Ring, cross pin	<a href="#">Buy now</a>
49	<a href="#">9050112M05</a> Spring, compression	<a href="#">Buy now</a>
50	<a href="#">6G14563500</a> Plunger, shift	<a href="#">Buy now</a>

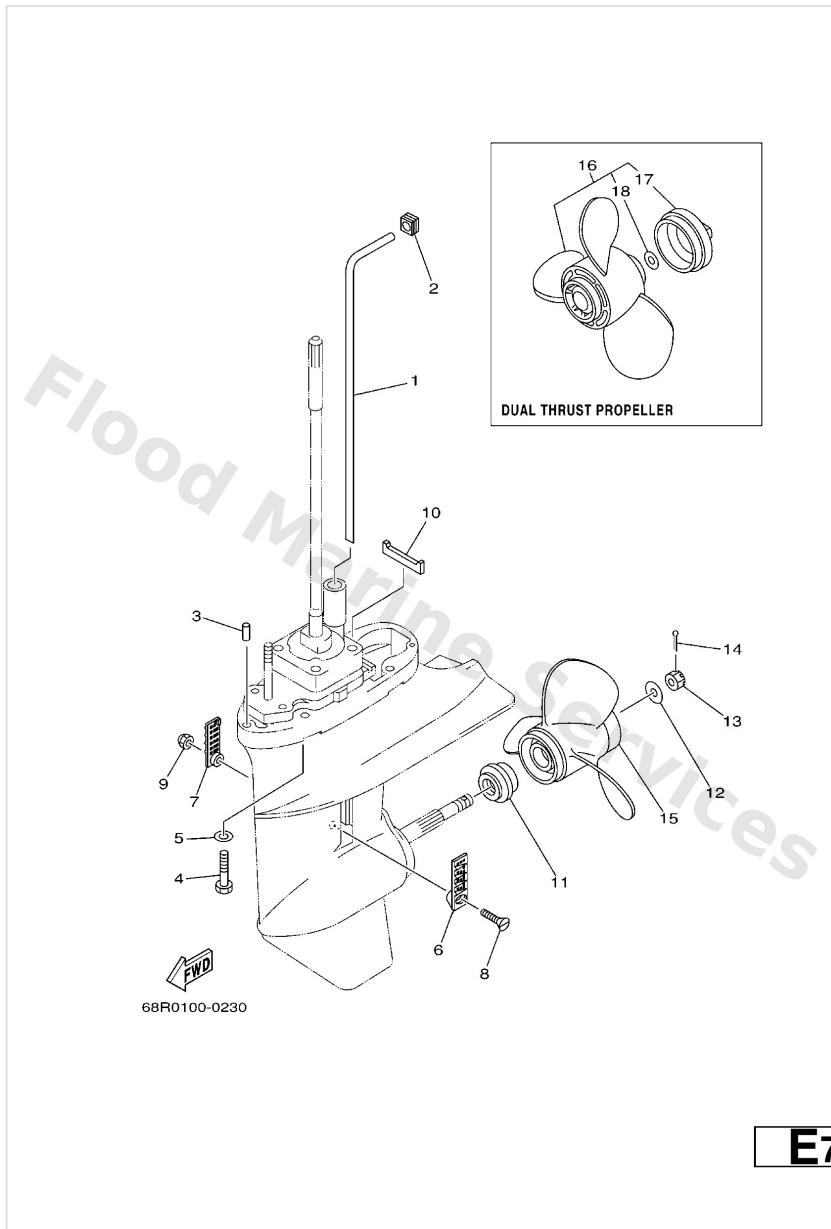


# Lower Casing & Drive 1



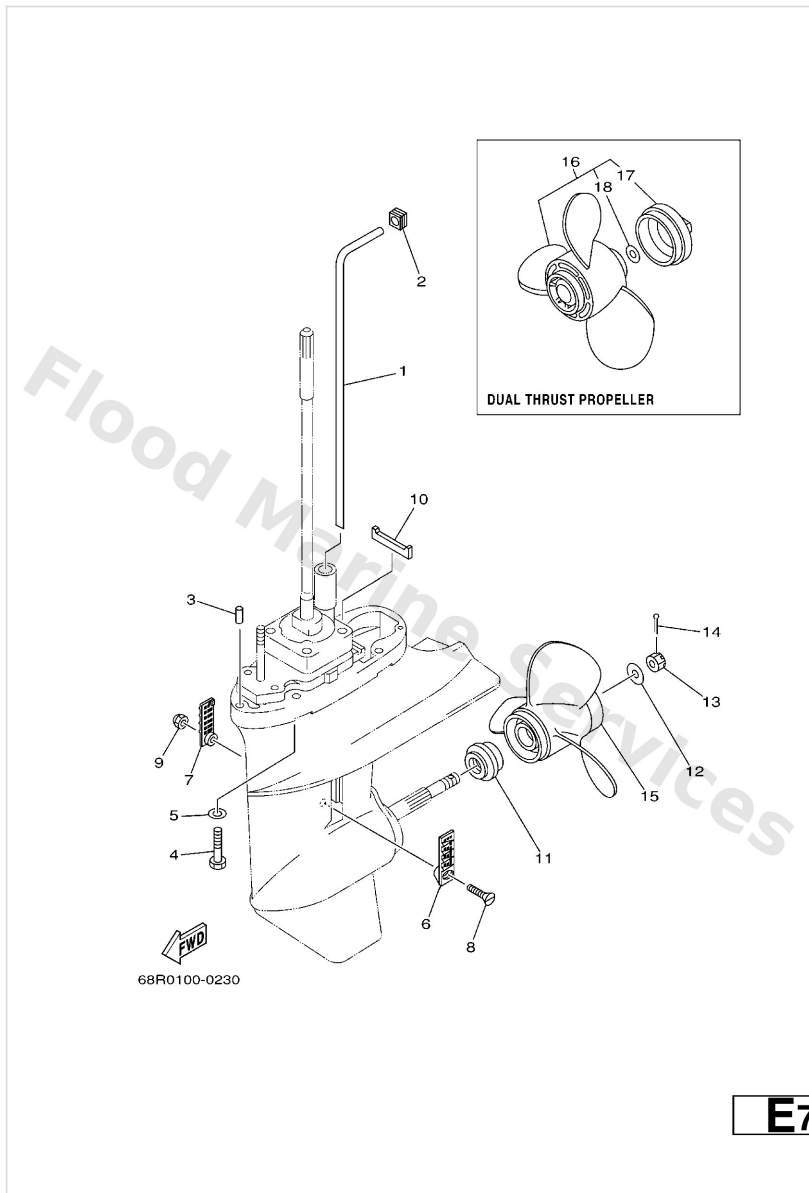
Ref	Part	
51	<a href="#">68T4561100</a> Shaft, propeller	<a href="#">Buy now</a>

## Lower Casing & Drive 2



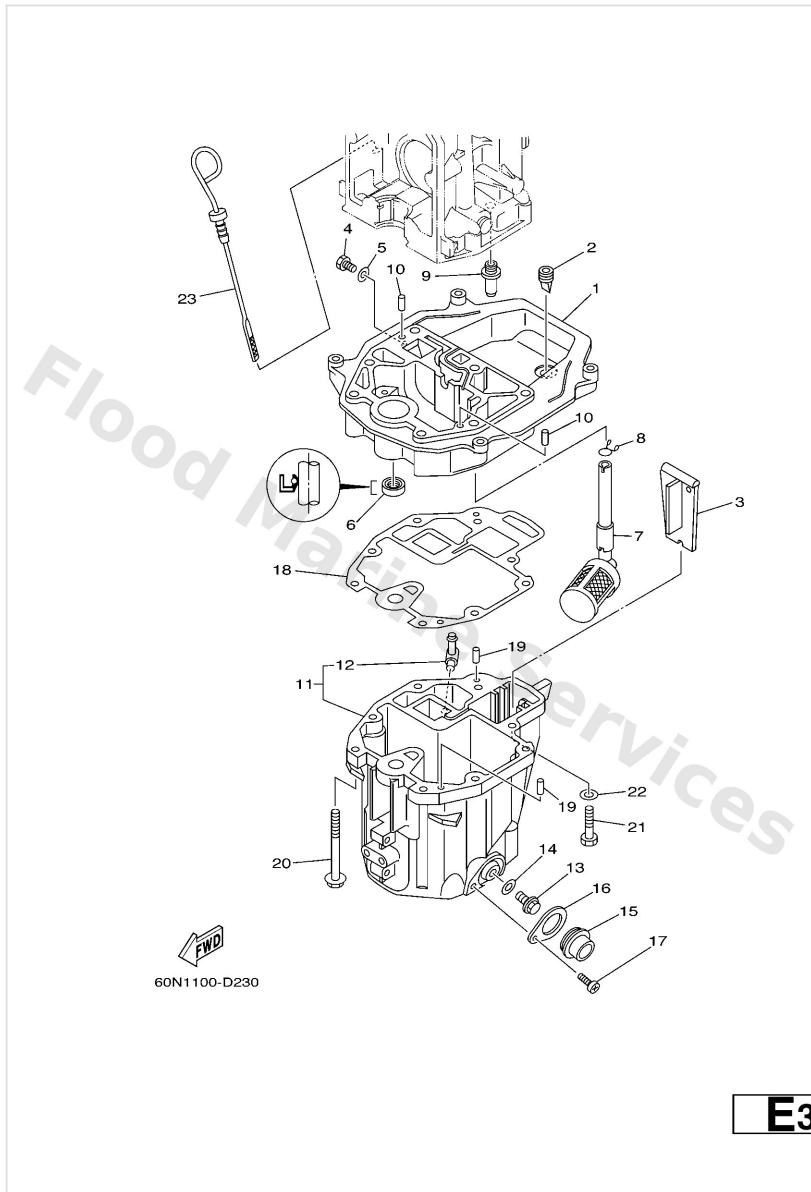
Ref	Part	
1	<a href="#">68T4436100</a> Tube, water 1 S (17.1")	<a href="#">Buy now</a>
1	<a href="#">68T4436110</a> Tube, water 1 L (22.1")	<a href="#">Buy now</a>
2	<a href="#">63V4436510</a> Damper, water seal 1	<a href="#">Buy now</a>
3	<a href="#">9360412M07</a> Pin, dowel (688)	<a href="#">Buy now</a>
4	<a href="#">9707508035</a> Bolt(70w)	<a href="#">Buy now</a>
5	<a href="#">9299508600</a> Washer, plain (663)	<a href="#">Buy now</a>
6	<a href="#">6G14521400</a> Cover, water inlet	<a href="#">Buy now</a>
7	<a href="#">6G14521500</a> Cover, water inlet	<a href="#">Buy now</a>
8	<a href="#">9015205M03</a> Screw, countersunk	<a href="#">Buy now</a>
9	<a href="#">9018505002</a> Nut nylon (sus)(ex4)	<a href="#">Buy now</a>
10	<a href="#">63V4537500</a> Damper, seal	<a href="#">Buy now</a>
11	<a href="#">6N0G598710</a> Spacer	<a href="#">Buy now</a>
12	<a href="#">9020110M01</a> Washer, plate(6m7)	<a href="#">Buy now</a>
13	<a href="#">9017110M01</a> Nut castle (683)	<a href="#">Buy now</a>
14	<a href="#">9149030020</a> Pin cotter	<a href="#">Buy now</a>

## Lower Casing & Drive 2



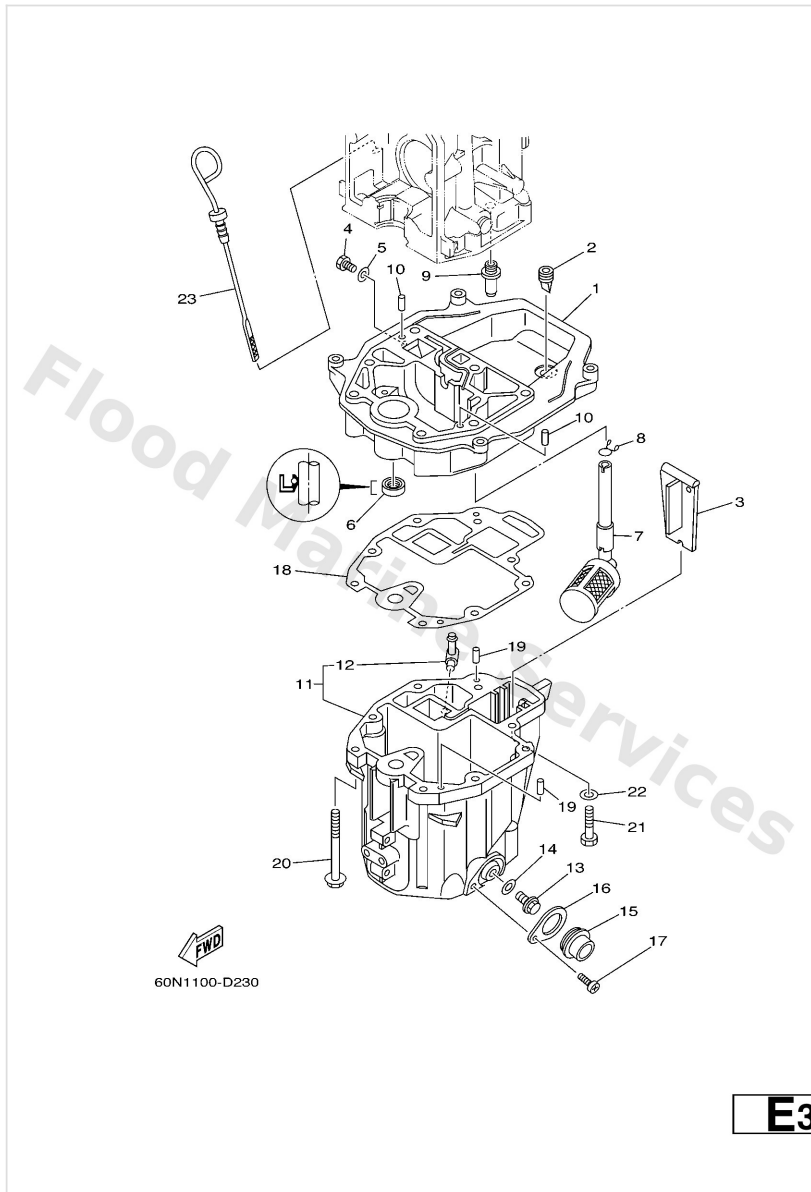
Ref	Part	
15	<a href="#">6G14594100EL</a> Propeller (3x8-1/2"x8-1/2"-n) UR	<a href="#">Buy now</a>
15	<a href="#">6G14594300EL</a> Propeller (3x8-1/2 x7-1/2 -n) UR	<a href="#">Buy now</a>
15	<a href="#">6G14594700EL</a> Propeller (3x8-1/2"x6-1/2"-n) UR	<a href="#">Buy now</a>
15	<a href="#">6G14595200EL</a> Propeller (3x8-1/2 x8 -n) UR	<a href="#">Buy now</a>
16	<a href="#">6G1W459101EL</a> Propeller (3x9 x7 -n) UR	<a href="#">Buy now</a>
16	<a href="#">6G1W459200EL</a> Propeller (3x9 x5 -n) UR	<a href="#">Buy now</a>
17	<a href="#">6G14561601</a> Nut, propeller	<a href="#">Buy now</a>
18	<a href="#">9020110M02</a> Washer, plate(6g9)	<a href="#">Buy now</a>

# Oil Pan



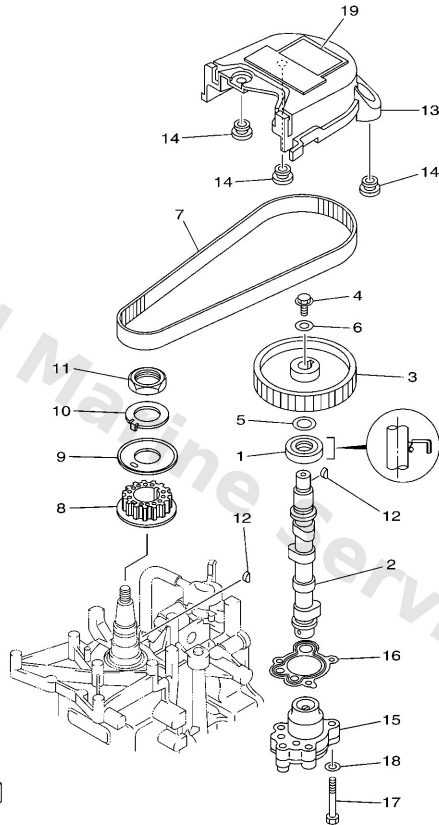
Ref	Part	
1	<a href="#">60RG11370094</a> Guide, exhaust	<a href="#">Buy now</a>
2	<a href="#">60SG271700</a> Rubber, seal 2	<a href="#">Buy now</a>
3	<a href="#">60RG518100</a> Plate	<a href="#">Buy now</a>
4	<a href="#">9709508014</a> Bolt, hexagon deep recess	<a href="#">Buy now</a>
5	<a href="#">9043008800</a> Gasket (256-11198-00)	<a href="#">Buy now</a>
6	<a href="#">9310112M70</a> Oil seal	<a href="#">Buy now</a>
7	<a href="#">68T1342101</a> Strainer 2	<a href="#">Buy now</a>
8	<a href="#">9046711M08</a> Clip(72x)	<a href="#">Buy now</a>
9	<a href="#">6G81157500</a> Relief valve ass'y	<a href="#">Buy now</a>
10	<a href="#">9360619M23</a> Pin, dowel	<a href="#">Buy now</a>
11	<a href="#">60RE5311005B</a> Oil pan	<a href="#">Buy now</a>
12	<a href="#">6H11137200</a> Nipple, hose	<a href="#">Buy now</a>
13	<a href="#">9034010M10</a> Plug, straight screw	<a href="#">Buy now</a>
14	<a href="#">9043010M11</a> Gasket	<a href="#">Buy now</a>
15	<a href="#">60RE531600</a> Damper, engine mount 1	<a href="#">Buy now</a>

# Oil Pan



Ref	Part	
16	<a href="#">68T1531700</a> Spacer, engine mount	<a href="#">Buy now</a>
17	<a href="#">9788505008</a> Screw, pan head	<a href="#">Buy now</a>
18	<a href="#">68T1347500</a> Gasket	<a href="#">Buy now</a>
19	<a href="#">9360412M07</a> Pin, dowel (688)	<a href="#">Buy now</a>
20	<a href="#">9011908005</a> Bolt, with washer	<a href="#">Buy now</a>
21	<a href="#">9707508030</a> Bolt, hexagon (fj1)	<a href="#">Buy now</a>
22	<a href="#">9299508600</a> Washer, plain (663)	<a href="#">Buy now</a>
23	<a href="#">68T1536200</a> Plug, oil level	<a href="#">Buy now</a>

# Oil Pump

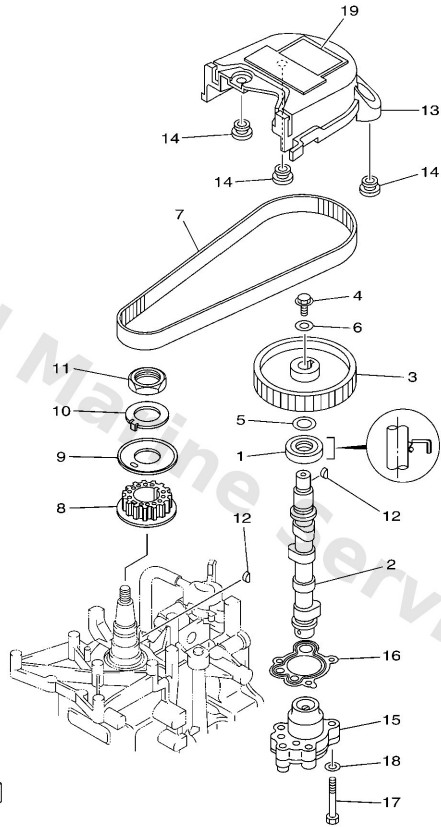


60S1300-D080

**B4**

Ref	Part	
1	<a href="#">9310218M21</a> Oil seal (6g8)	<a href="#">Buy now</a>
2	<a href="#">60RE217100</a> Camshaft	<a href="#">Buy now</a>
3	<a href="#">60RE15370094</a> Gear, driven	<a href="#">Buy now</a>
4	<a href="#">9010506M14</a> Bolt (6e0)	<a href="#">Buy now</a>
5	<a href="#">9020113201</a> Washer 6474283300	<a href="#">Buy now</a>
6	<a href="#">9020106M94</a> Washer (6g8)	<a href="#">Buy now</a>
7	<a href="#">60RG624100</a> Belt	<a href="#">Buy now</a>
8	<a href="#">60RE153600</a> Gear, drive	<a href="#">Buy now</a>
9	<a href="#">68T1155700</a> Washer 1	<a href="#">Buy now</a>
10	<a href="#">6G81158701</a> Washer, lock	<a href="#">Buy now</a>
11	<a href="#">9017024M09</a> Nut (6g8)	<a href="#">Buy now</a>
12	<a href="#">9028003M01</a> Key woodruff 146115450000	<a href="#">Buy now</a>
13	<a href="#">60RG629700</a> Cover, dust	<a href="#">Buy now</a>
14	<a href="#">9048010627</a> Grommet	<a href="#">Buy now</a>
15	<a href="#">68T1330000</a> Oil pump assembly	<a href="#">Buy now</a>

# Oil Pump

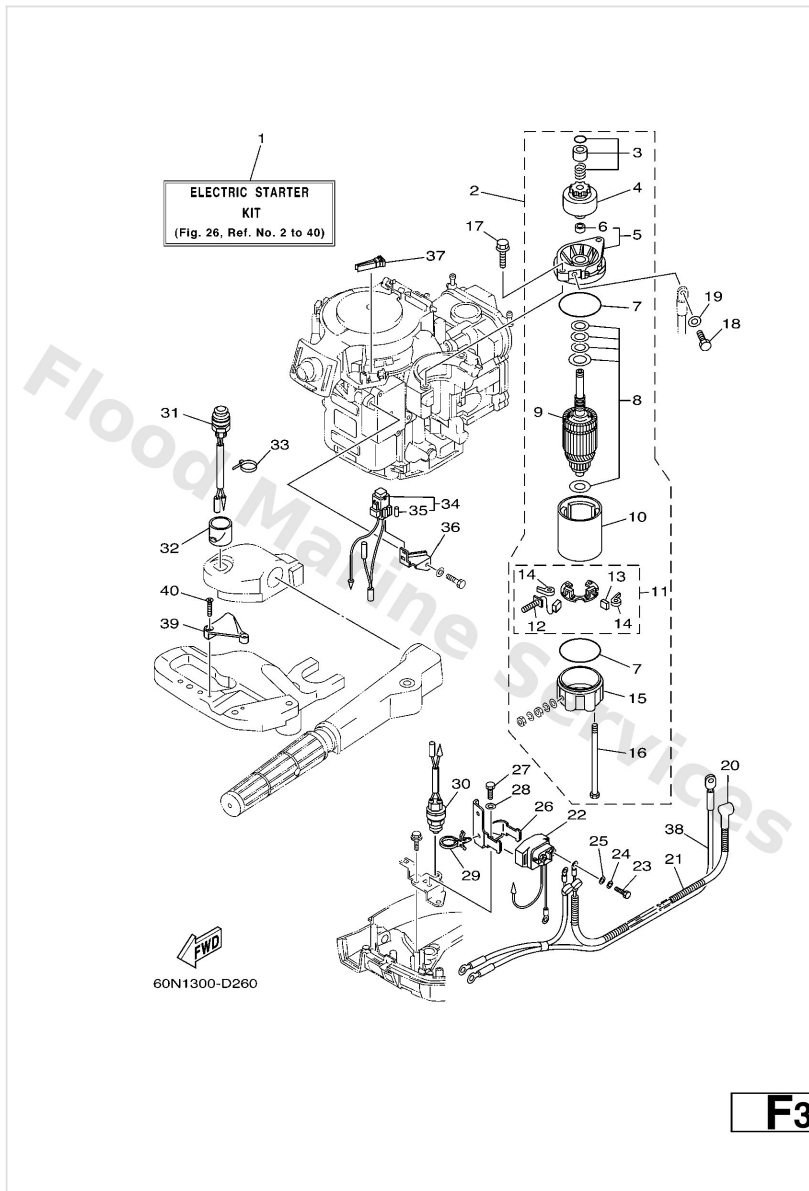


  
60S1300-D080

**B4**

Ref	Part	
16	<a href="#">68T1332900</a> Gasket, pump cover	<a href="#">Buy now</a>
17	<a href="#">9709506030</a> Bolt(jf7)	<a href="#">Buy now</a>
18	<a href="#">9299506600</a> Washer, plain (646)	<a href="#">Buy now</a>
19	<a href="#">60RE213860</a> Mark, Caution	<a href="#">Buy now</a>

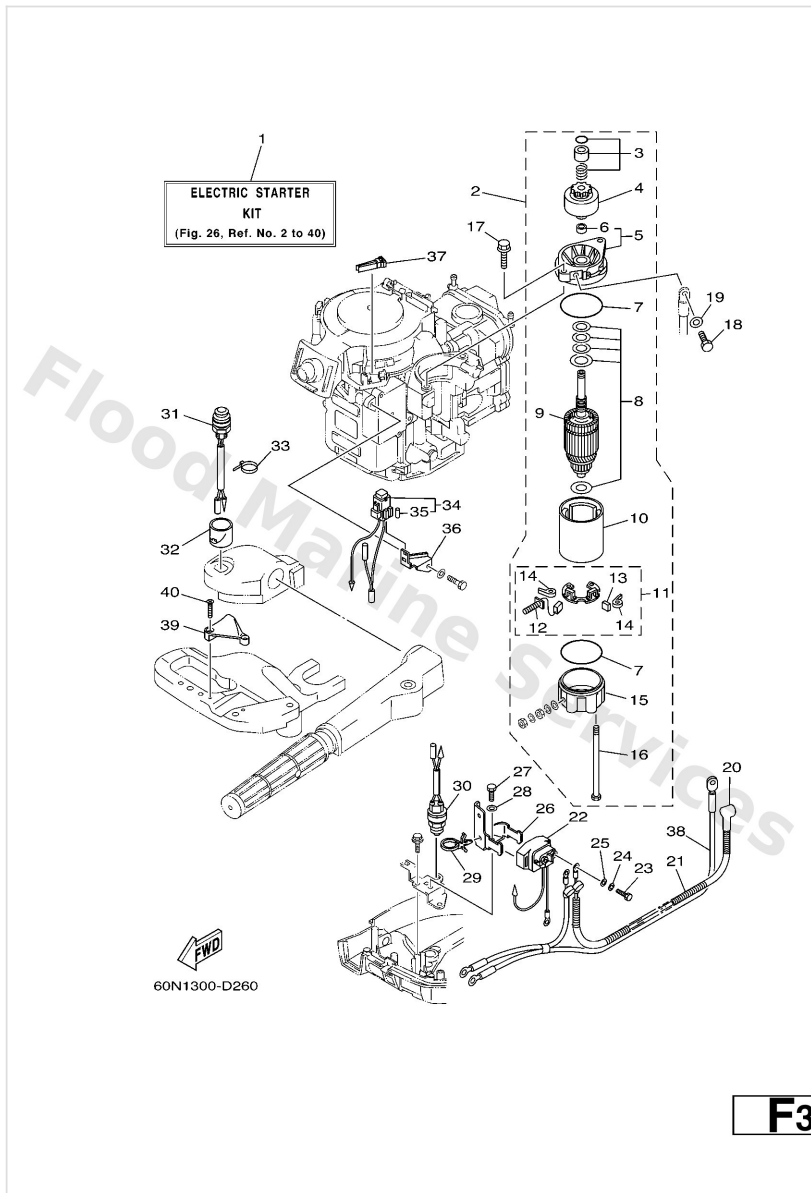
# Optional Parts 1



Ref	Part	
1	<a href="#">68RW818000</a> Electric starter kit AP	<a href="#">Buy now</a>
2	<a href="#">68T8180000</a> Starting motor assembly	<a href="#">Buy now</a>
3	<a href="#">68T8185700</a> Pinion stopper set	<a href="#">Buy now</a>
4	<a href="#">6898180712</a> Pinion assembly	<a href="#">Buy now</a>
5	<a href="#">6F58183010</a> Front cover assembly	<a href="#">Buy now</a>
6	<a href="#">6898183100</a> Metal, front	<a href="#">Buy now</a>
7	<a href="#">6898184711</a> O-ring	<a href="#">Buy now</a>
8	<a href="#">6898180911</a> Washer kit	<a href="#">Buy now</a>
9	<a href="#">6898185011</a> Armature assembly	<a href="#">Buy now</a>
10	<a href="#">6898181011</a> Stator ass'y	<a href="#">Buy now</a>
11	<a href="#">6898184011</a> Brush holder assembly	<a href="#">Buy now</a>
12	<a href="#">6898181111</a> Brush 1	<a href="#">Buy now</a>
13	<a href="#">6898181211</a> Brush 2	<a href="#">Buy now</a>
14	<a href="#">6898181310</a> Spring, brush	<a href="#">Buy now</a>
15	<a href="#">6898182011</a> Rear cover ass'y	<a href="#">Buy now</a>

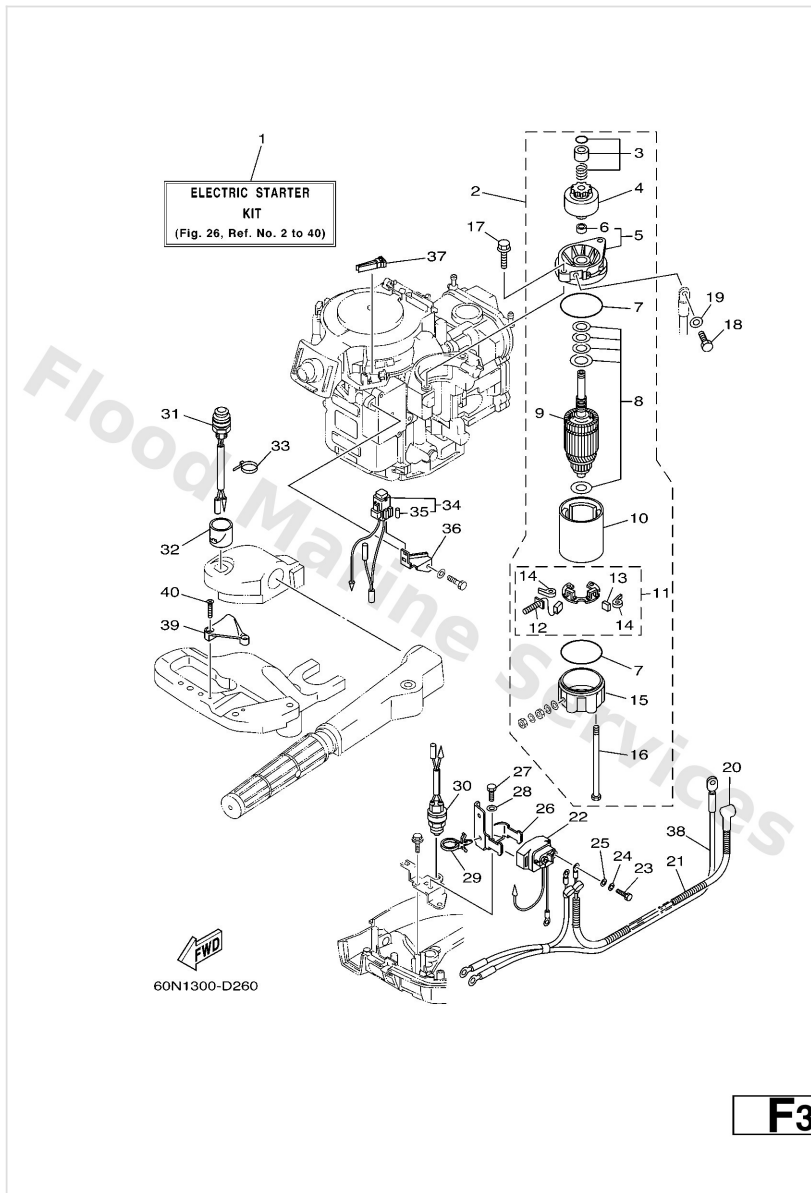


# Optional Parts 1



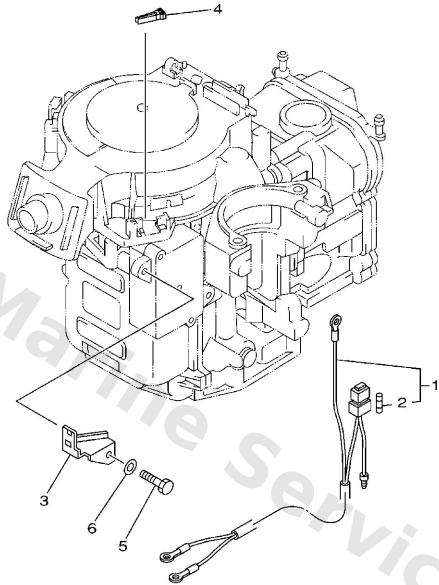
Ref	Part	
16	<a href="#">6898182610</a> Bolt	<a href="#">Buy now</a>
17	<a href="#">9011908M76</a> Bolt, with washer(6e5)	<a href="#">Buy now</a>
18	<a href="#">9709508016</a> Bolt, hexagon deep recess	<a href="#">Buy now</a>
19	<a href="#">9299508600</a> Washer, plain (663)	<a href="#">Buy now</a>
20	<a href="#">6G88211700</a> Wire, lead	<a href="#">Buy now</a>
21	<a href="#">9044610M86</a> Hose	<a href="#">Buy now</a>
22	<a href="#">68T8194000</a> Starter relay assembly	<a href="#">Buy now</a>
23	<a href="#">9709506010</a> Bolt	<a href="#">Buy now</a>
24	<a href="#">9299506100</a> Washer(6a1)	<a href="#">Buy now</a>
25	<a href="#">9299506600</a> Washer, plain (646)	<a href="#">Buy now</a>
26	<a href="#">68T8194500</a> Plate, switch fitting	<a href="#">Buy now</a>
27	<a href="#">9709506012</a> Bolt(gh1)	<a href="#">Buy now</a>
29	<a href="#">9046512M56</a> Clamp(62t)	<a href="#">Buy now</a>
30	<a href="#">6F58254000</a> Neutral switch assembly	<a href="#">Buy now</a>
31	<a href="#">68T8187000</a> Starting switch assembly	<a href="#">Buy now</a>

# Optional Parts 1



Ref	Part	
32	<a href="#">68T8182100</a> Cover, switch	<a href="#">Buy now</a>
33	<a href="#">9046511M10</a> Clamp	<a href="#">Buy now</a>
34	<a href="#">68T8215000</a> Fuse holder assembly	<a href="#">Buy now</a>
35	<a href="#">66V8215100</a> Fuse (10a)	<a href="#">Buy now</a>
36	<a href="#">68T8217100</a> Stay, fuse box	<a href="#">Buy now</a>
37	<a href="#">67F2812A00</a> Puller, fuse	<a href="#">Buy now</a>
38	<a href="#">68T8210500</a> Battery cable (l: 3.0m)	<a href="#">Buy now</a>
39	<a href="#">68T8259400</a> Clamp	<a href="#">Buy now</a>
40	<a href="#">9015105003</a> Screw, countersunk	<a href="#">Buy now</a>

## Optional Parts 2

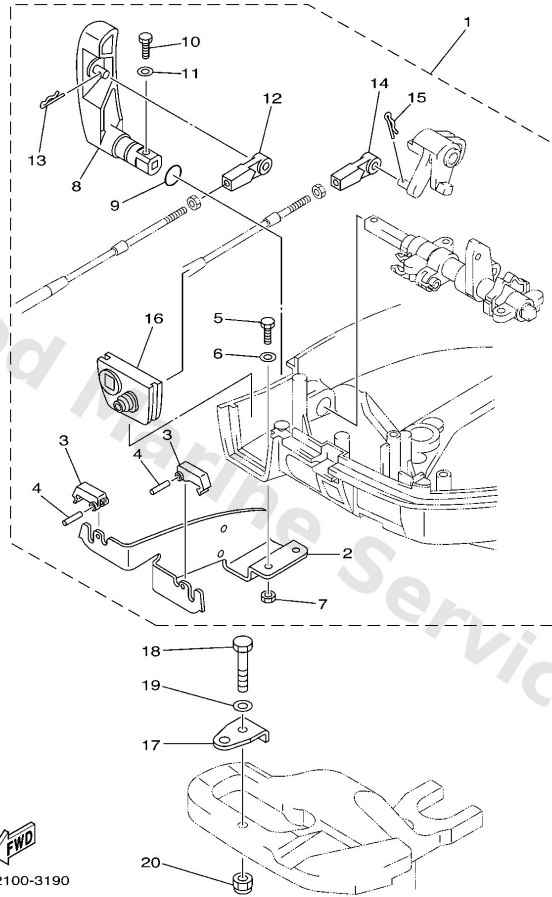


  
68R1100-2280

**F5**

Ref	Part	
1	<a href="#">68T8194900</a> Wire, lead AP	<a href="#">Buy now</a>
2	<a href="#">66V8215100</a> Fuse (10a)	<a href="#">Buy now</a>
3	<a href="#">68T8217100</a> Stay, fuse box AP	<a href="#">Buy now</a>
4	<a href="#">67F2812A00</a> Puller, fuse AP	<a href="#">Buy now</a>
5	<a href="#">9709506012</a> Bolt(gh1) AP	<a href="#">Buy now</a>
6	<a href="#">9299506600</a> Washer, plain (646) AP	<a href="#">Buy now</a>

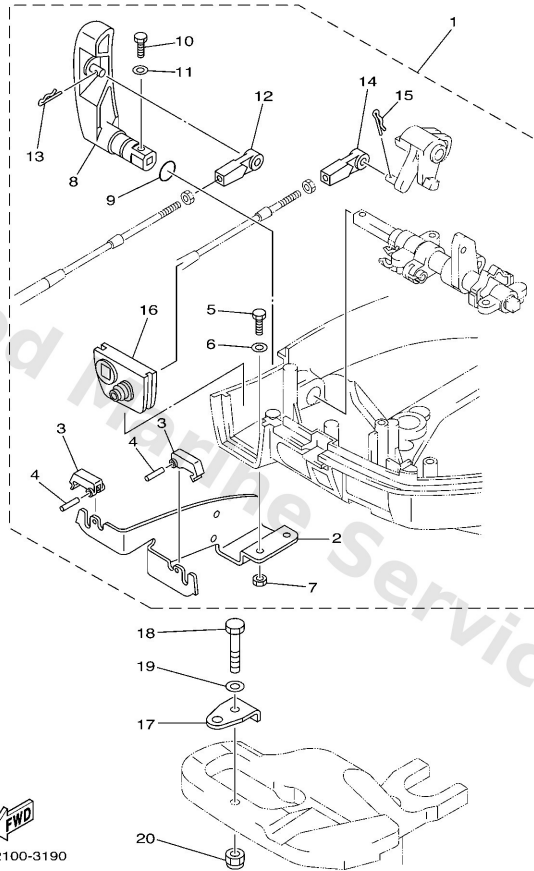
# Remo Con Attachment



**D5**

Ref	Part	
1	<a href="#">60RG850100</a> Remote cont. attachment assembly. AP	<a href="#">Buy now</a>
2	<a href="#">68T4853100</a> Bracket, remote control 1	<a href="#">Buy now</a>
3	<a href="#">6824853850</a> Clamp, cable	<a href="#">Buy now</a>
4	<a href="#">9169030012</a> Pin, spring	<a href="#">Buy now</a>
5	<a href="#">9709506012</a> Bolt(gh1)	<a href="#">Buy now</a>
6	<a href="#">9299506600</a> Washer, plain (646)	<a href="#">Buy now</a>
7	<a href="#">9538006600</a> Nut(661)	<a href="#">Buy now</a>
8	<a href="#">60RG411110</a> Handle, gear shift	<a href="#">Buy now</a>
9	<a href="#">9321012327</a> O-ring(3ld)	<a href="#">Buy now</a>
10	<a href="#">9709505016</a> Bolt(6a1)	<a href="#">Buy now</a>
11	<a href="#">9299505600</a> Washer, plain (646)	<a href="#">Buy now</a>
12	<a href="#">6634834400</a> Cable end, remote control	<a href="#">Buy now</a>
13	<a href="#">9046818008</a> Clip 620436610000	<a href="#">Buy now</a>
16	<a href="#">68T4272510</a> Grommet	<a href="#">Buy now</a>
17	<a href="#">63V4851101</a> Hook, steering AP	<a href="#">Buy now</a>

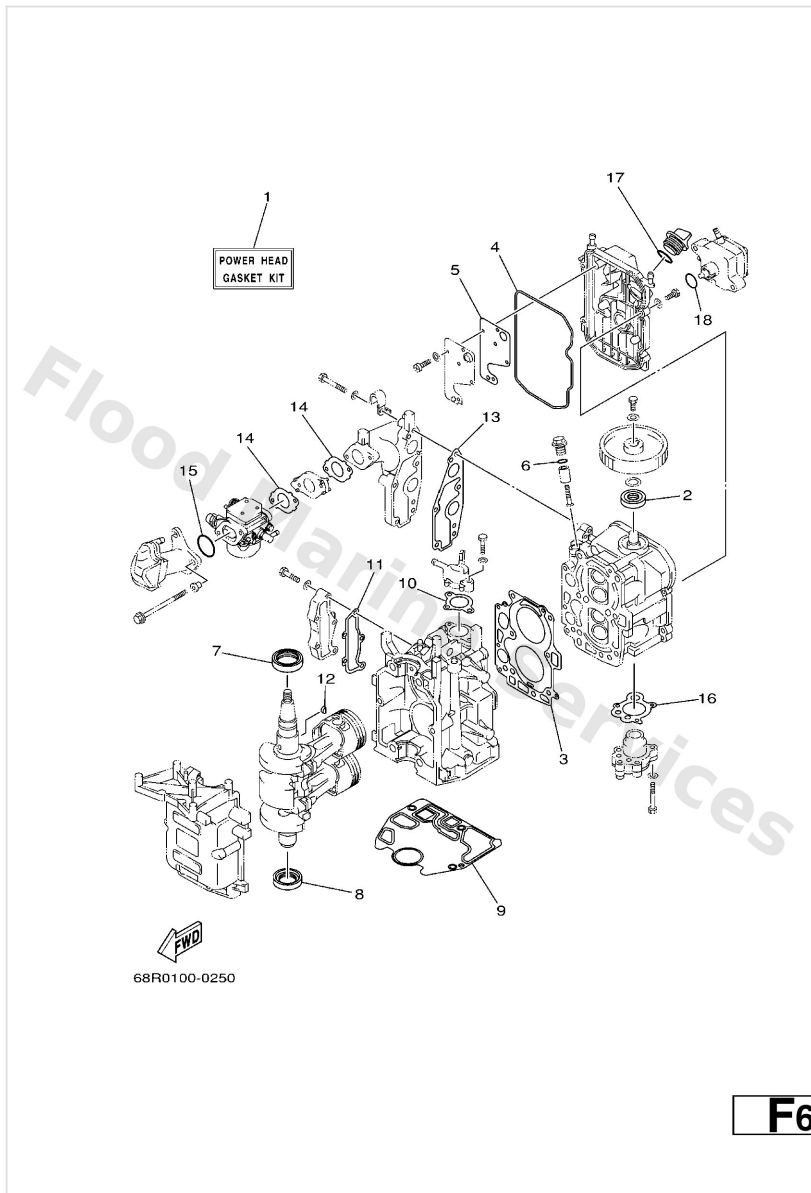
# Remo Con Attachment



**D5**

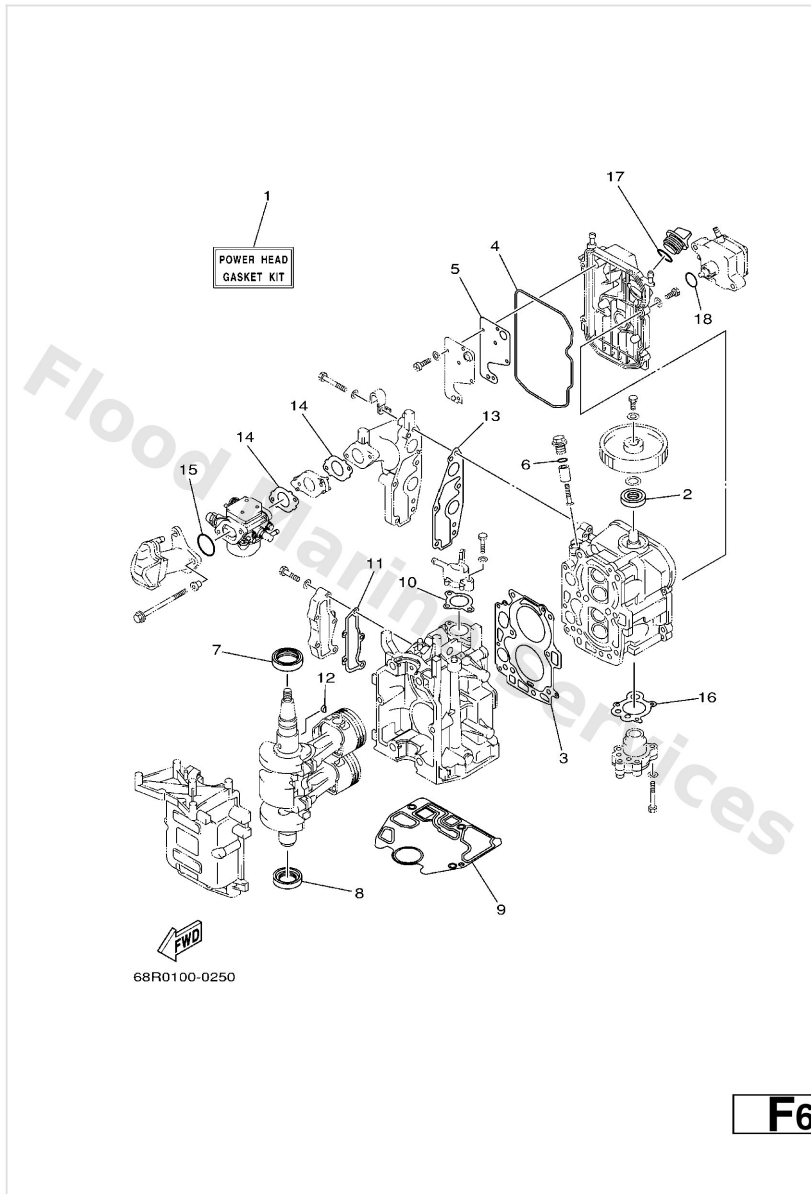
Ref	Part	
18	<a href="#">9707508035</a> Bolt(70w) AP	<a href="#">Buy now</a>
19	<a href="#">9299508600</a> Washer, plain (663) AP	<a href="#">Buy now</a>
20	<a href="#">9018508057</a> Nut, nylon (6j8) AP	<a href="#">Buy now</a>

# Repair Kit 1



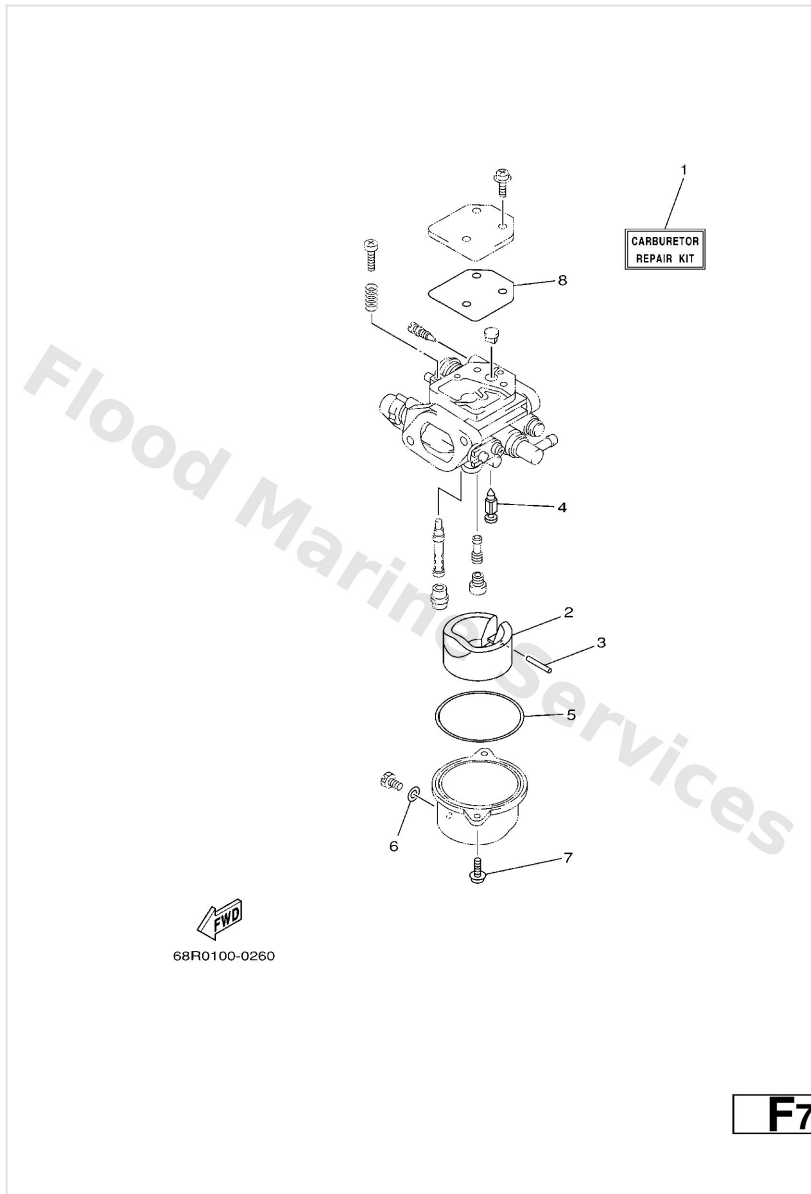
Ref	Part	
1	<a href="#">68TW000100</a> Power head gasket kit	<a href="#">Buy now</a>
2	<a href="#">9310218M21</a> Oil seal (6g8)	<a href="#">Buy now</a>
3	<a href="#">68T1118100</a> Gasket, cylinder head 1	<a href="#">Buy now</a>
4	<a href="#">68T1135600</a> Seal, cylinder 2	<a href="#">Buy now</a>
5	<a href="#">68T11169A0</a> Gasket, breather cover	<a href="#">Buy now</a>
6	<a href="#">9321013M63</a> O-ring (6g8)	<a href="#">Buy now</a>
7	<a href="#">9310230M22</a> Oil seal (6g8)	<a href="#">Buy now</a>
8	<a href="#">9310125M69</a> Oil seal	<a href="#">Buy now</a>
9	<a href="#">68T1135100</a> Gasket, cylinder	<a href="#">Buy now</a>
10	<a href="#">60RE2414A0</a> Gasket, cover	<a href="#">Buy now</a>
11	<a href="#">68T41114A0</a> Gasket, exhaust outer cover	<a href="#">Buy now</a>
12	<a href="#">9028003M01</a> Key woodruff 146115450000	<a href="#">Buy now</a>
13	<a href="#">68T1364500</a> Gasket, manifold 1	<a href="#">Buy now</a>
14	<a href="#">60RE3646A0</a> Gasket, manifold 2	<a href="#">Buy now</a>
15	<a href="#">9321031MJ5</a> O-ring	<a href="#">Buy now</a>

# Repair Kit 1



Ref	Part	
16	<a href="#">68T1332900</a> Gasket, pump cover	<a href="#">Buy now</a>
17	<a href="#">9321024M79</a> O-ring	<a href="#">Buy now</a>
18	<a href="#">9321020M65</a> O-ring	<a href="#">Buy now</a>

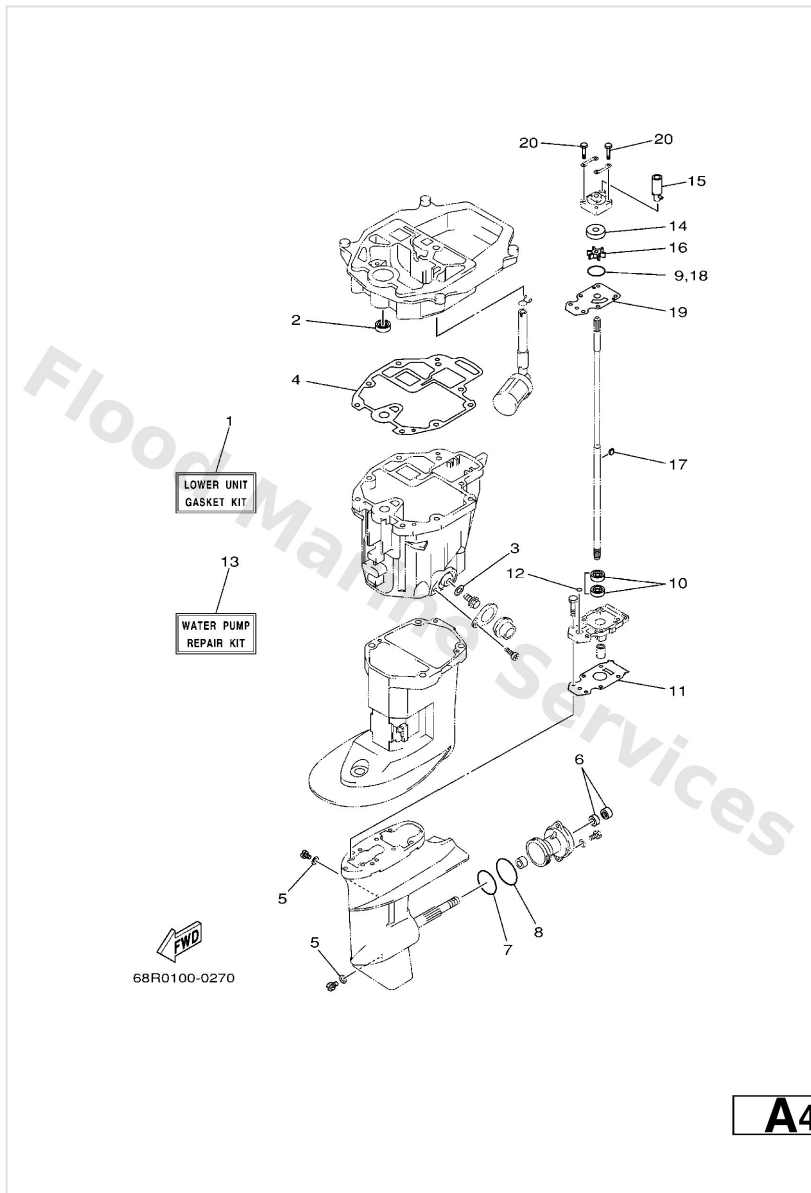
# Repair Kit 2



Ref	Part	
1	<a href="#">68TW009300</a> Carburetor repair kit	<a href="#">Buy now</a>
2	<a href="#">68T1438500</a> Float	<a href="#">Buy now</a>
3	<a href="#">67D1438600</a> Pin, float	<a href="#">Buy now</a>
4	<a href="#">68T1454600</a> Valve, needle	<a href="#">Buy now</a>
5	<a href="#">67D1498400</a> Gasket, float chamber	<a href="#">Buy now</a>
6	<a href="#">6J81495900</a> Gasket, drain screw	<a href="#">Buy now</a>
7	<a href="#">9798004112</a> Screw, pan head (686)	<a href="#">Buy now</a>
8	<a href="#">67D1453600</a> Gasket	<a href="#">Buy now</a>
1	<a href="#">6AUW009300</a> Carburetor repair kit	<a href="#">Buy now</a>
3	<a href="#">6AU1438500</a> Float	<a href="#">Buy now</a>
6	<a href="#">6AU1498400</a> Gasket, float chamber	<a href="#">Buy now</a>

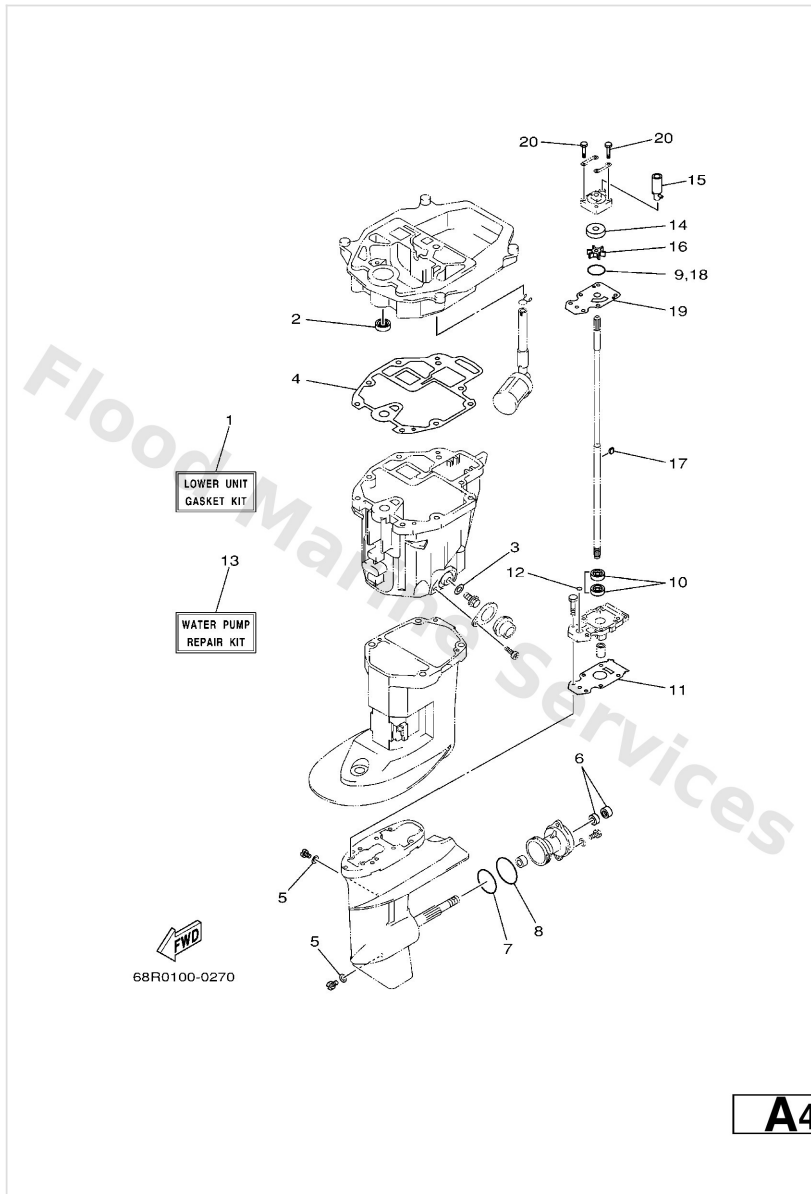


# Repair Kit 3



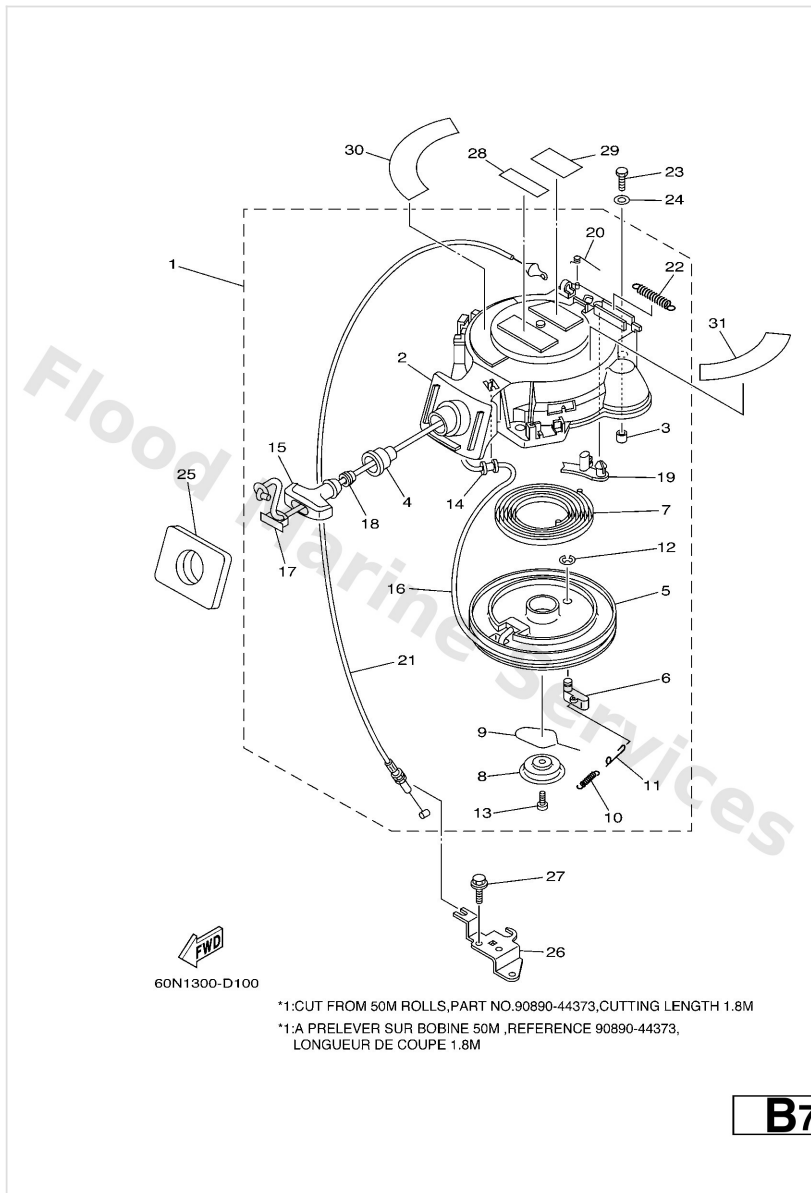
Ref	Part	
1	<a href="#">68TW000120</a> Lower unit gasket kit	<a href="#">Buy now</a>
2	<a href="#">9310112M70</a> Oil seal	<a href="#">Buy now</a>
3	<a href="#">9043010M11</a> Gasket	<a href="#">Buy now</a>
4	<a href="#">68T1347500</a> Gasket	<a href="#">Buy now</a>
5	<a href="#">9043008020</a> Gasket	<a href="#">Buy now</a>
6	<a href="#">9310115074</a> Oil seal (655)	<a href="#">Buy now</a>
7	<a href="#">9321049046</a> O-ring (620)	<a href="#">Buy now</a>
8	<a href="#">9321053M08</a> O-ring(50m)	<a href="#">Buy now</a>
9	<a href="#">9321044398</a> O-ring(55x)	<a href="#">Buy now</a>
10	<a href="#">9310111M23</a> Oil seal (6g1)	<a href="#">Buy now</a>
11	<a href="#">68T45315A0</a> Packing, lower casing	<a href="#">Buy now</a>
12	<a href="#">9321006ME6</a> O-ring	<a href="#">Buy now</a>
13	<a href="#">68TW007800</a> Water pump repair kit	<a href="#">Buy now</a>
14	<a href="#">63V4432200</a> Insert, cartridge	<a href="#">Buy now</a>
15	<a href="#">68T4436600</a> Damper, water seal 2	<a href="#">Buy now</a>

# Repair Kit 3



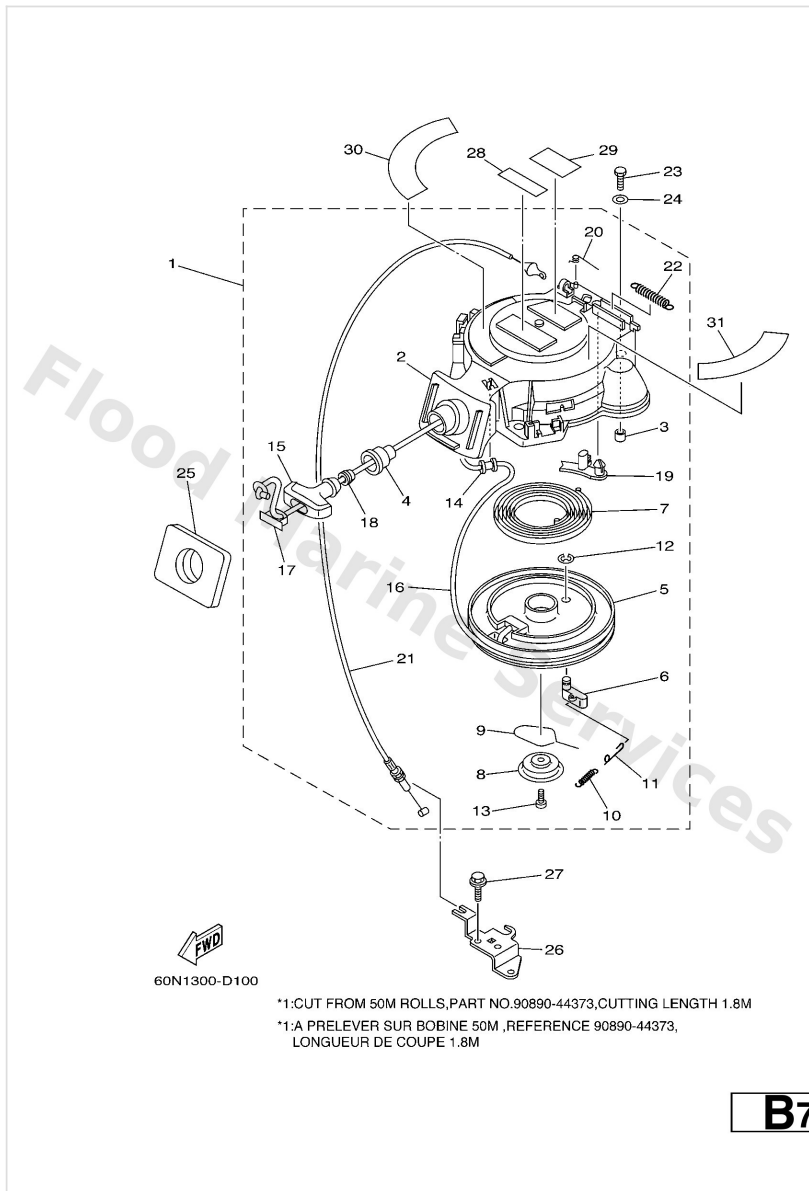
Ref	Part	
16	<a href="#">68T4435200</a> Impeller	<a href="#">Buy now</a>
17	<a href="#">6644433800</a> Key, woodruff	<a href="#">Buy now</a>
19	<a href="#">68T4432300</a> Outer plate, cartridge	<a href="#">Buy now</a>
20	<a href="#">9708008045</a> Bolt, hexagon	<a href="#">Buy now</a>

# Starter



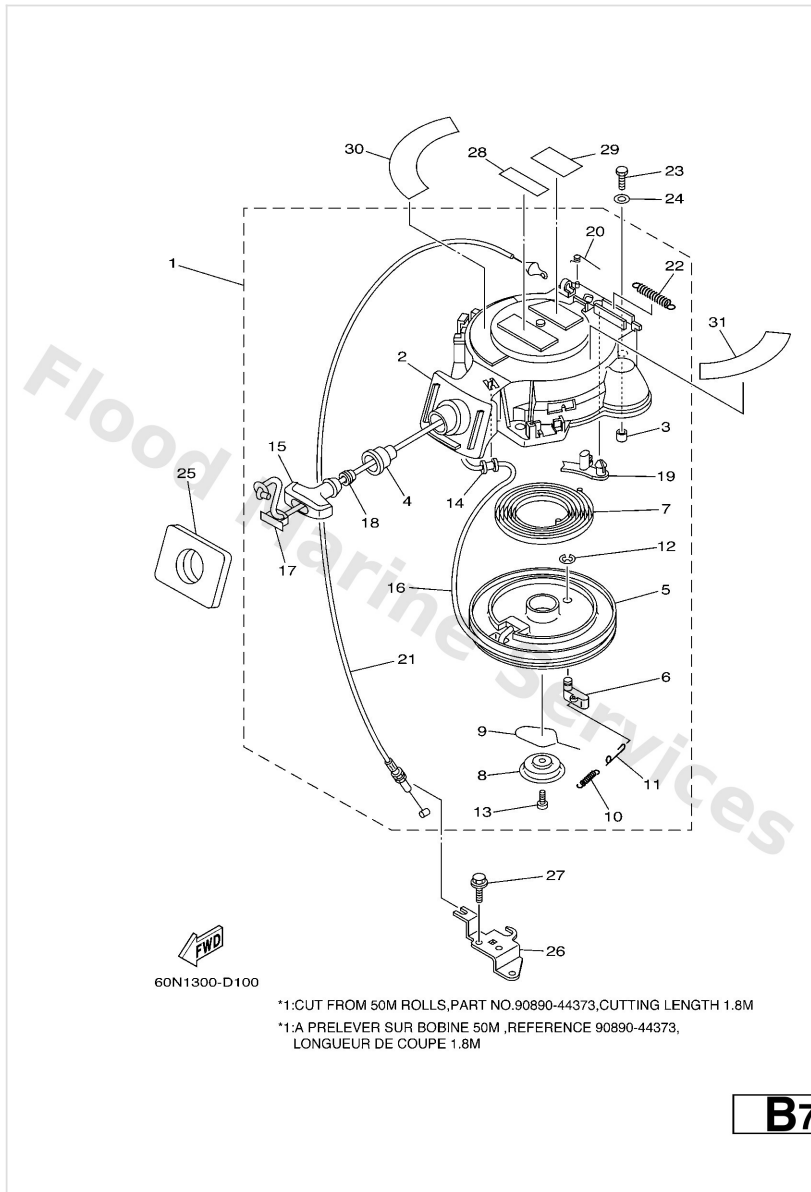
Ref	Part	
1	<a href="#">68T1571011</a> Starter assembly	<a href="#">Buy now</a>
2	<a href="#">68T1571102</a> Case, Starter	<a href="#">Buy now</a>
3	<a href="#">67D1576400</a> Collar 1	<a href="#">Buy now</a>
4	<a href="#">68T1579500</a> Guide, rope	<a href="#">Buy now</a>
5	<a href="#">63V1571400</a> Drum, sheave	<a href="#">Buy now</a>
6	<a href="#">63V1574100</a> Pawl, drive	<a href="#">Buy now</a>
7	<a href="#">63V1571300</a> Spring, starter	<a href="#">Buy now</a>
8	<a href="#">68T1571600</a> Plate, drive	<a href="#">Buy now</a>
9	<a href="#">63V1570501</a> Spring, drive pawl	<a href="#">Buy now</a>
10	<a href="#">63V1576701</a> Spring	<a href="#">Buy now</a>
11	<a href="#">68T1578400</a> Spring, return	<a href="#">Buy now</a>
12	<a href="#">63V1574400</a> Circlip	<a href="#">Buy now</a>
13	<a href="#">68T1579300</a> Screw	<a href="#">Buy now</a>
14	<a href="#">68T1576400</a> Collar 1	<a href="#">Buy now</a>
15	<a href="#">6G11575500</a> Handle, starter	<a href="#">Buy now</a>

# Starter



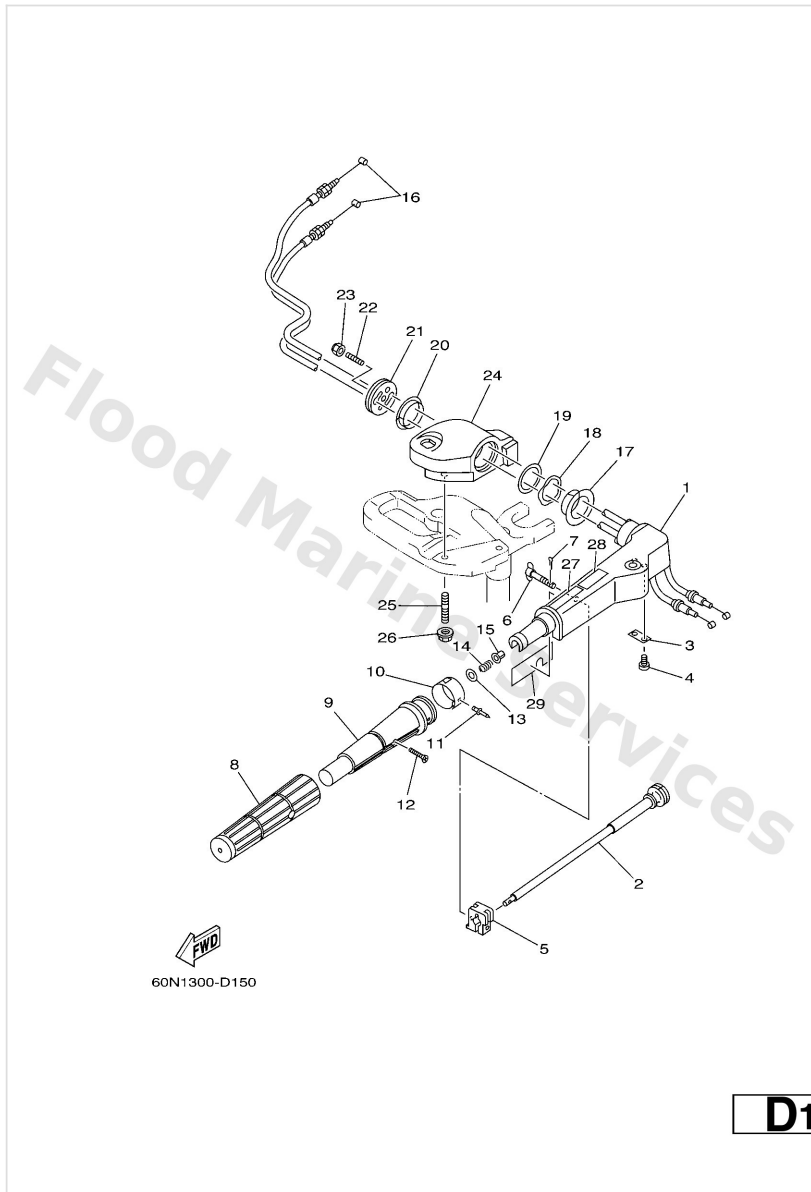
Ref	Part	
16	<a href="#">*</a> item_description <a href="#">*1</a>	<a href="#">Buy now</a>
17	<a href="#">6G11577900</a> Cover	<a href="#">Buy now</a>
18	<a href="#">6A01578900</a> Damper	<a href="#">Buy now</a>
19	<a href="#">68T1579400</a> Stopper	<a href="#">Buy now</a>
20	<a href="#">66T1573400</a> Spring, return	<a href="#">Buy now</a>
21	<a href="#">68T1577000</a> Cable comp., starter stop	<a href="#">Buy now</a>
22	<a href="#">66T1573100</a> Retainer, spring	<a href="#">Buy now</a>
23	<a href="#">9709506020</a> Bolt(7u8)	<a href="#">Buy now</a>
24	<a href="#">9299506600</a> Washer, plain (646)	<a href="#">Buy now</a>
25	<a href="#">68T1576200</a> Seal, rubber 2	<a href="#">Buy now</a>
26	<a href="#">68T1577410</a> Stay 4	<a href="#">Buy now</a>
27	<a href="#">9010906M86</a> Bolt	<a href="#">Buy now</a>
28	<a href="#">60RH362540</a> -	<a href="#">Buy now</a>
29	<a href="#">60RH362550</a> -	<a href="#">Buy now</a>
30	<a href="#">60RE343761</a> Mark caution nv/sav	<a href="#">Buy now</a>

# Starter



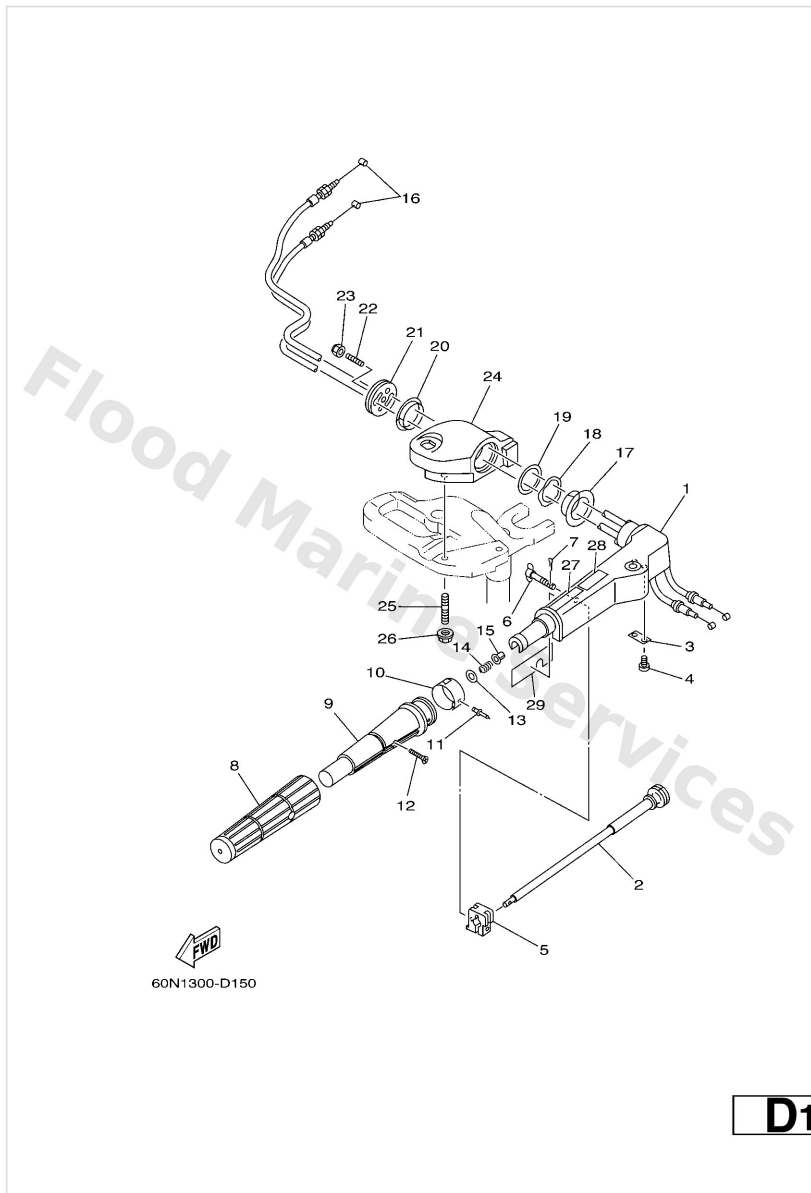
Ref	Part	
31	<a href="#">60RH571160</a> Mark caution	<a href="#">Buy now</a>

# Steering



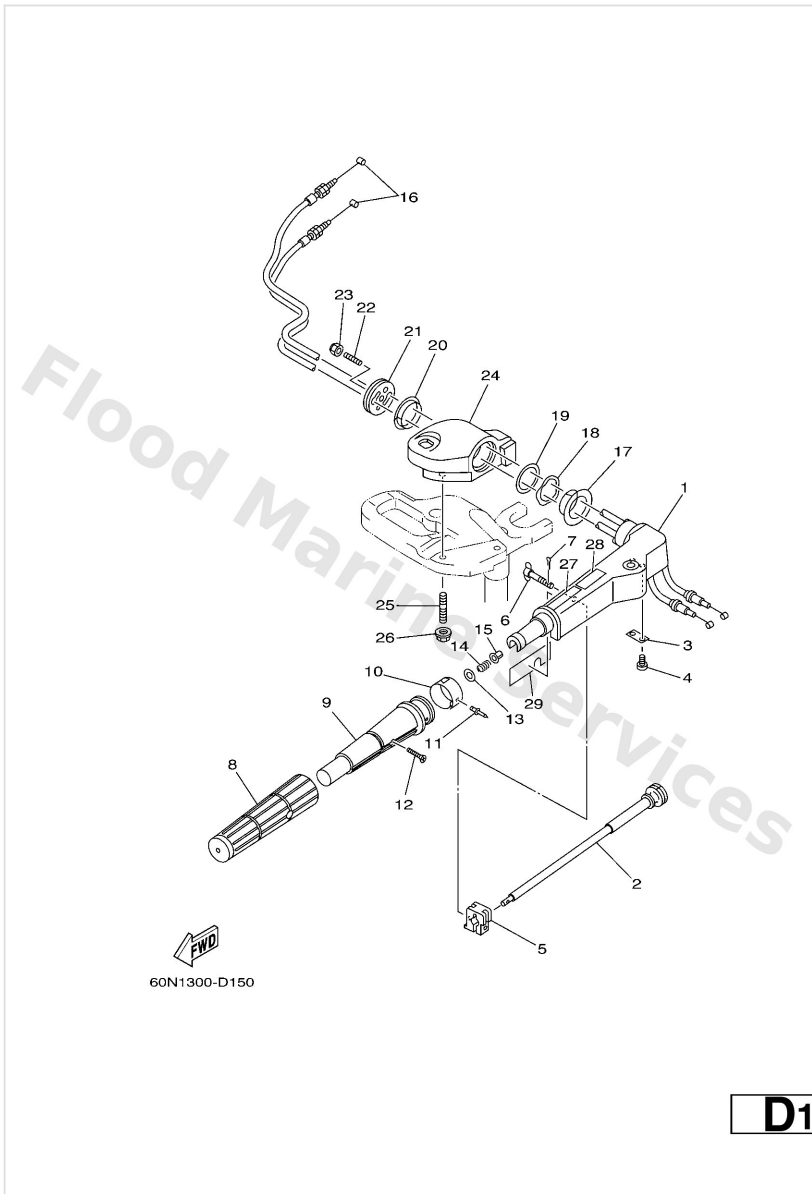
Ref	Part	
1	<a href="#">60RG2111004D</a> Handle steering	<a href="#">Buy now</a>
2	<a href="#">6G14213801</a> Lever, throttle	<a href="#">Buy now</a>
3	<a href="#">68DG215900</a> Stay	<a href="#">Buy now</a>
4	<a href="#">9788505012</a> Screw,pan head (646)	<a href="#">Buy now</a>
5	<a href="#">6G14212600</a> Piece, friction	<a href="#">Buy now</a>
6	<a href="#">6G14212501</a> Bolt, friction adjusting	<a href="#">Buy now</a>
7	<a href="#">9149016010</a> Pin, cotter	<a href="#">Buy now</a>
8	<a href="#">68DG217710</a> Rubber, handle	<a href="#">Buy now</a>
9	<a href="#">68DG211900</a> Grip, steering han	<a href="#">Buy now</a>
10	<a href="#">60NG213700</a> Indicator Throttle	<a href="#">Buy now</a>
10	<a href="#">60PG213700</a> Indicator, throttl	<a href="#">Buy now</a>
10	<a href="#">60RG213700</a> Indicator throttle	<a href="#">Buy now</a>
11	<a href="#">9026902M09</a> Rivet(6I5)	<a href="#">Buy now</a>
12	<a href="#">9014905M13</a> Screw, countersunk	<a href="#">Buy now</a>
13	<a href="#">9290310600</a> Washer, plate	<a href="#">Buy now</a>

# Steering



Ref	Part	
14	<a href="#">9050123800</a> Spring (655)	<a href="#">Buy now</a>
15	<a href="#">9038608032</a> Bushing (650)	<a href="#">Buy now</a>
16	<a href="#">68T2630101</a> Throttle cable assembly	<a href="#">Buy now</a>
17	<a href="#">9038634M97</a> Bush(63v)	<a href="#">Buy now</a>
18	<a href="#">9020636M21</a> Washer, wave(63v)	<a href="#">Buy now</a>
19	<a href="#">9020236M55</a> Washer, plate(63v)	<a href="#">Buy now</a>
20	<a href="#">9038633M96</a> Bush(63v)	<a href="#">Buy now</a>
21	<a href="#">68T4213101</a> Cover, handle steering	<a href="#">Buy now</a>
22	<a href="#">9011608015</a> Bolt, stud	<a href="#">Buy now</a>
23	<a href="#">9018508057</a> Nut, nylon (6j8)	<a href="#">Buy now</a>
24	<a href="#">60RG2121004D</a> Bracket & washer set	<a href="#">Buy now</a>
25	<a href="#">9011610019</a> Bolt Stud	<a href="#">Buy now</a>
26	<a href="#">9017910M33</a> Nut	<a href="#">Buy now</a>
27	<a href="#">60RH362740</a> -	<a href="#">Buy now</a>
28	<a href="#">60RH362750</a> Label Caution 7	<a href="#">Buy now</a>

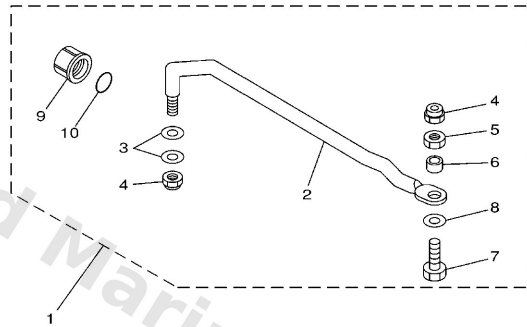
# Steering



Ref	Part	
29	<a href="#">60RE571Y60</a>	<a href="#">Buy now</a>
	-	



# Steering Guide

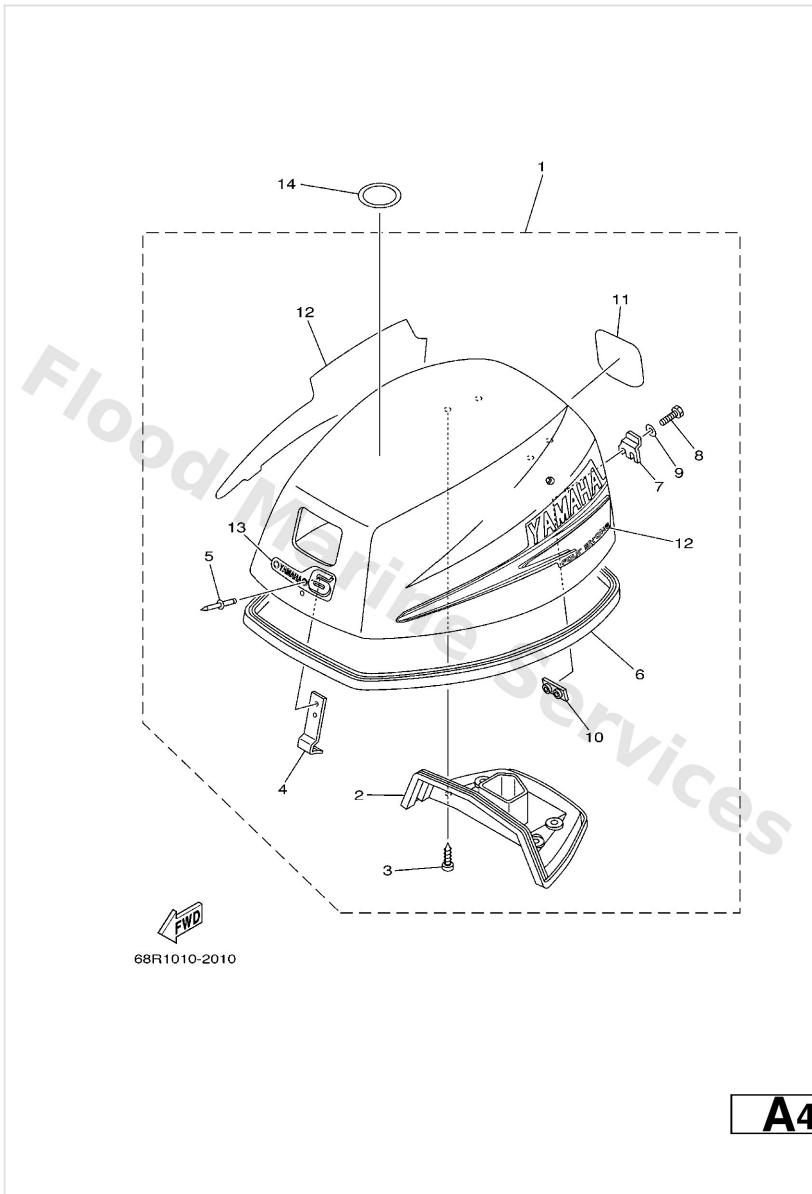


68R0300-0290

**F2**

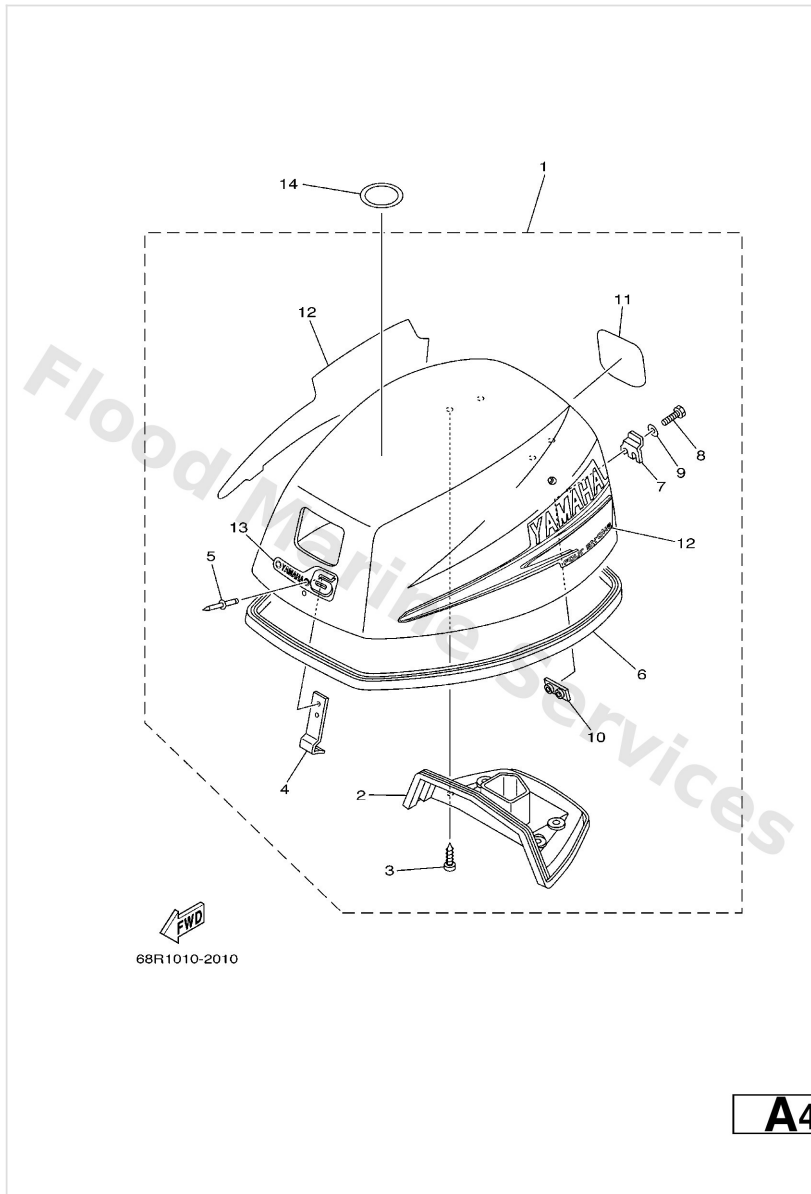
Ref	Part	
1	<a href="#">68T6135000</a> Steering guide attachment kit AP	<a href="#">Buy now</a>
2	<a href="#">68T6135100</a> Rod Steering Link	<a href="#">Buy now</a>
3	<a href="#">9020110M20</a> Washer, plate (663)	<a href="#">Buy now</a>
4	<a href="#">9018509M01</a> Nut, nylon (663)	<a href="#">Buy now</a>
5	<a href="#">9017009M03</a> Nut (689)	<a href="#">Buy now</a>
6	<a href="#">9038710M42</a> Coller (688)	<a href="#">Buy now</a>
7	<a href="#">6E56135500</a> Bolt	<a href="#">Buy now</a>
8	<a href="#">9020110M63</a> Washer, plate	<a href="#">Buy now</a>
9	<a href="#">6E54314501</a> Cap, clamp bracket	<a href="#">Buy now</a>
10	<a href="#">9321016275</a> O-ring	<a href="#">Buy now</a>

# Top Cowling



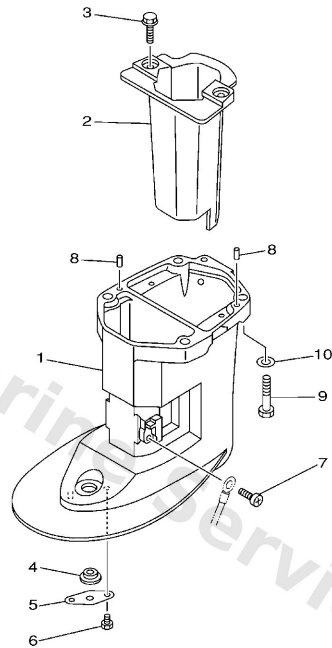
Ref	Part	
1	<a href="#">60NG2610004D</a> Top cowling ass'y	<a href="#">Buy now</a>
1	<a href="#">60RG2610004D</a> Top cowling ass'y 4d	<a href="#">Buy now</a>
2	<a href="#">60RG261300</a> Molding Air Duct	<a href="#">Buy now</a>
3	<a href="#">9778060516</a> Screw, panhead tapping (j20)	<a href="#">Buy now</a>
4	<a href="#">6G14265102</a> Hook	<a href="#">Buy now</a>
5	<a href="#">9026604M04</a> Rivet(6e7)	<a href="#">Buy now</a>
6	<a href="#">60R4261500</a> Seal	<a href="#">Buy now</a>
7	<a href="#">60R4265200</a> Hook	<a href="#">Buy now</a>
8	<a href="#">9709505014</a> Bolt, w/ plain	<a href="#">Buy now</a>
9	<a href="#">9299505600</a> Washer, plain (646)	<a href="#">Buy now</a>
10	<a href="#">68T4264900</a> Holder, clamp band	<a href="#">Buy now</a>
11	<a href="#">68R4267820</a> Graphic, rear	<a href="#">Buy now</a>
11	<a href="#">68T4267820</a> Graphic, rear	<a href="#">Buy now</a>
12	<a href="#">68TW007060</a> Graphic set	<a href="#">Buy now</a>
13	<a href="#">68R4267700</a> Graphic, Front	<a href="#">Buy now</a>

# Top Cowling



Ref	Part	
13	<a href="#">68T4267700</a> Graphic, front	<a href="#">Buy now</a>
14	<a href="#">60RE343400</a> Label, Caution	<a href="#">Buy now</a>

# Upper Casing

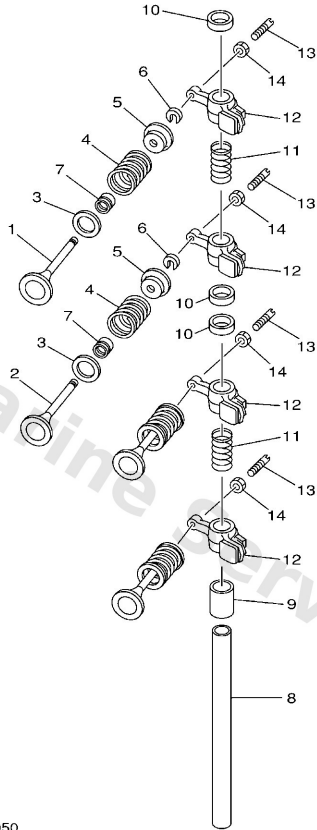


  
68R0010-0220

**E2**

Ref	Part	
1	<a href="#">60RG5111004D</a> Casing upper S (17.1")	<a href="#">Buy now</a>
1	<a href="#">60RG5111104D</a> Casing, upper L (22.1")	<a href="#">Buy now</a>
2	<a href="#">60RE4711005B</a> Muffler 1	<a href="#">Buy now</a>
3	<a href="#">9757506514</a> Bolt, hexagon w/w deep recess	<a href="#">Buy now</a>
4	<a href="#">9048014M54</a> Grommet	<a href="#">Buy now</a>
5	<a href="#">68T4532100</a> Plate	<a href="#">Buy now</a>
6	<a href="#">9709506008</a> Bolt (fj1)	<a href="#">Buy now</a>
7	<a href="#">9788505008</a> Screw, pan head	<a href="#">Buy now</a>
8	<a href="#">9360412M07</a> Pin, dowel (688)	<a href="#">Buy now</a>
9	<a href="#">9707508035</a> Bolt(70w)	<a href="#">Buy now</a>
10	<a href="#">9299508600</a> Washer, plain (663)	<a href="#">Buy now</a>

# Valve



  
68R0010-0050

**B1**

Ref	Part	
1	<a href="#">67D1211100</a> Valve, intake	<a href="#">Buy now</a>
2	<a href="#">67D1212100</a> Valve, exhaust	<a href="#">Buy now</a>
3	<a href="#">68T1211600</a> Seat, valve spring	<a href="#">Buy now</a>
4	<a href="#">60RE211300</a> Spring, valve inne	<a href="#">Buy now</a>
5	<a href="#">7NJ1211700</a> Retainer, valve spring	<a href="#">Buy now</a>
6	<a href="#">7NJ1211800</a> Cotter, valve	<a href="#">Buy now</a>
7	<a href="#">51Y1211900</a> Seal, valve stem	<a href="#">Buy now</a>
8	<a href="#">68T1214600</a> Shaft, rocker	<a href="#">Buy now</a>
9	<a href="#">9038713M56</a> Collar (6g8)	<a href="#">Buy now</a>
10	<a href="#">9038714M03</a> Collar	<a href="#">Buy now</a>
11	<a href="#">9050112M40</a> Spring, compression (6g8)	<a href="#">Buy now</a>
12	<a href="#">68T1215100</a> Arm, valve rocker	<a href="#">Buy now</a>
13	<a href="#">6G81215900</a> Screw, valve adjusting	<a href="#">Buy now</a>
14	<a href="#">6G81215800</a> Nut, lock	<a href="#">Buy now</a>

# Disclaimer

This document is provided for convenience only. It is **not** an official Yamaha publication and is **not supplied, endorsed, or approved** by Yamaha Motor Co., Ltd.

Reasonable efforts are made to keep information accurate; however diagrams, part references, supersessions, descriptions, and applicability may contain errors or omissions. Specifications and part availability may change without notice.

You are responsible for confirming the correct parts for your engine (including model code, year, serial range, and any superseded part numbers) before ordering or fitting.