



# Yamaha F6DMH 2022

## Parts Manual

[www.floodmarine.co.uk](http://www.floodmarine.co.uk)

+44 2882 246 539

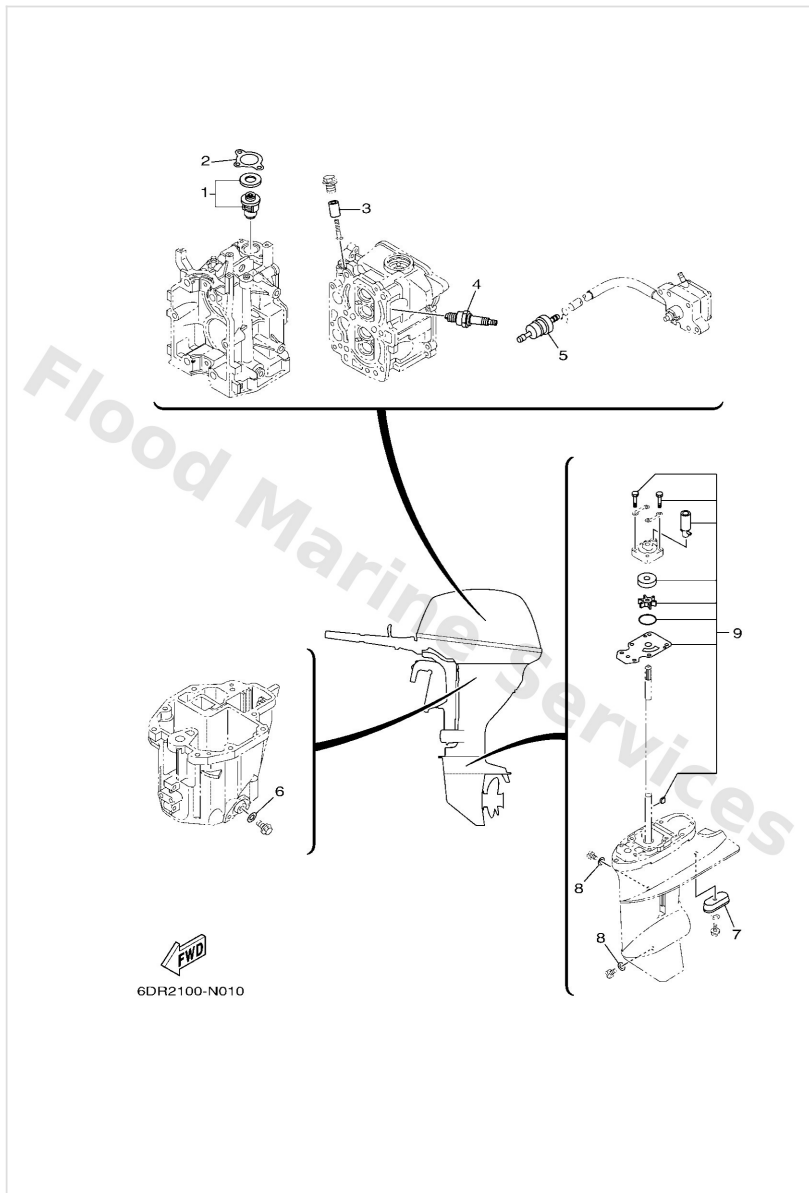
Authorised Yamaha Dealers



# Contents

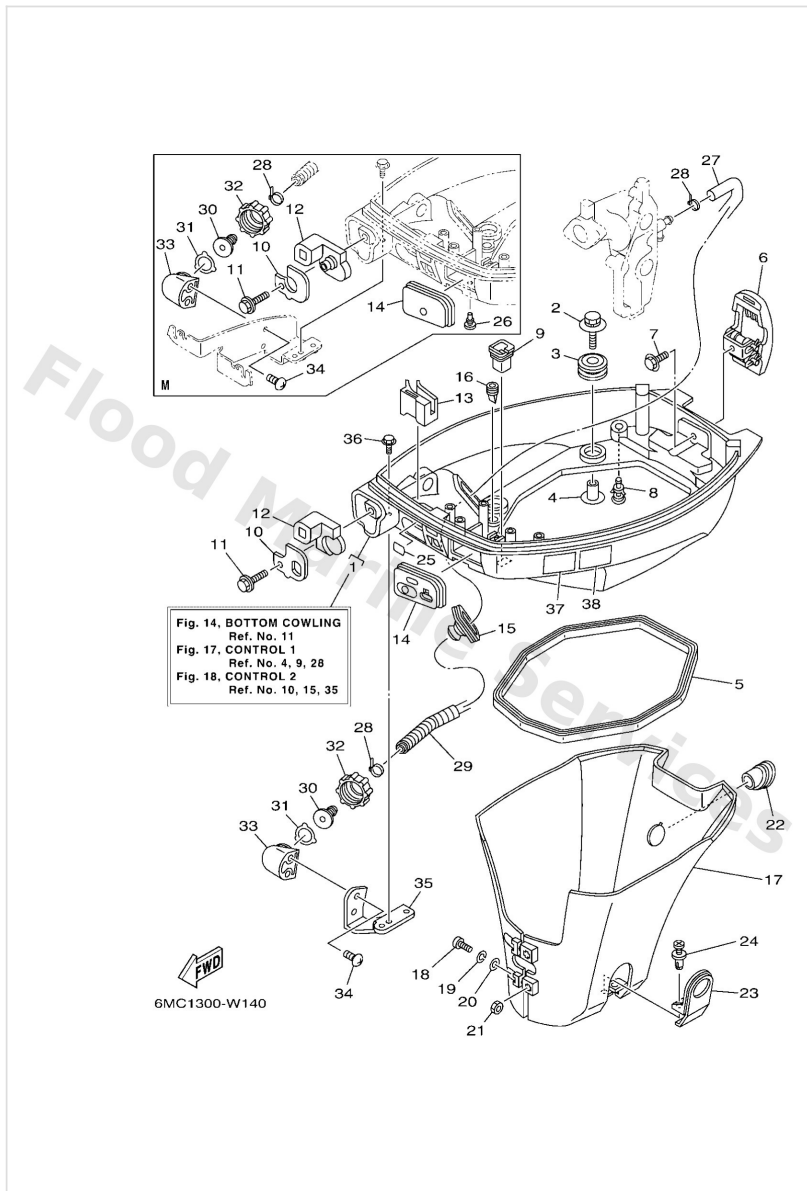
<b>SCHEDULED SERVICE PARTS</b> .....	3
<b>BOTTOM COWLING</b> .....	4
<b>BRACKET 1</b> .....	7
<b>BRACKET 2</b> .....	10
<b>CARBURETOR</b> .....	12
<b>CONTROL 1</b> .....	14
<b>CONTROL 2</b> .....	16
<b>CRANKSHAFT &amp; PISTON</b> .....	19
<b>CYLINDER &amp; CRANKCASE 1</b> .....	21
<b>CYLINDER &amp; CRANKCASE 2</b> .....	23
<b>ELECTRICAL</b> .....	25
<b>FUEL</b> .....	27
<b>FUEL TANK</b> .....	30
<b>GENERATOR</b> .....	31
<b>INTAKE</b> .....	32
<b>LOWER CASING &amp; DRIVE 1</b> .....	34
<b>LOWER CASING &amp; DRIVE 2</b> .....	38
<b>OIL PAN</b> .....	40
<b>OIL PUMP</b> .....	42
<b>OPTIONAL PARTS 1</b> .....	44
<b>OPTIONAL PARTS 2</b> .....	47
<b>OPTIONAL PARTS 3</b> .....	48
<b>REMO CON ATTACHMENT</b> .....	49
<b>REMOTE CONTROL ASSY</b> .....	51
<b>REMOTE CONTROL BOX</b> .....	55
<b>REPAIR KIT 1</b> .....	56
<b>REPAIR KIT 2</b> .....	58
<b>REPAIR KIT 3</b> .....	59
<b>STARTER</b> .....	61
<b>STEERING</b> .....	63
<b>STEERING FRICTION</b> .....	67
<b>STEERING GUIDE</b> .....	69
<b>TOP COWLING</b> .....	70
<b>UPPER CASING</b> .....	71
<b>VALVE</b> .....	72

## Scheduled Service Parts



Ref	Part	
1	<a href="#">66M1241101</a> Thermostat	<a href="#">Buy now</a>
2	<a href="#">6G812414A0</a> Gasket, cover	<a href="#">Buy now</a>
3	<a href="#">6G81132500</a> Anode	<a href="#">Buy now</a>
4	<a href="#">9470200274</a> Plug, spark (br6hs-10)	<a href="#">Buy now</a>
5	<a href="#">68T2425101</a> Strainer 1	<a href="#">Buy now</a>
6	<a href="#">9043010M11</a> Gasket	<a href="#">Buy now</a>
7	<a href="#">68T4525100</a> Anode	<a href="#">Buy now</a>
8	<a href="#">9043008003</a> Gasket	<a href="#">Buy now</a>
9	<a href="#">68TW007802</a> Water pump repair kit	<a href="#">Buy now</a>

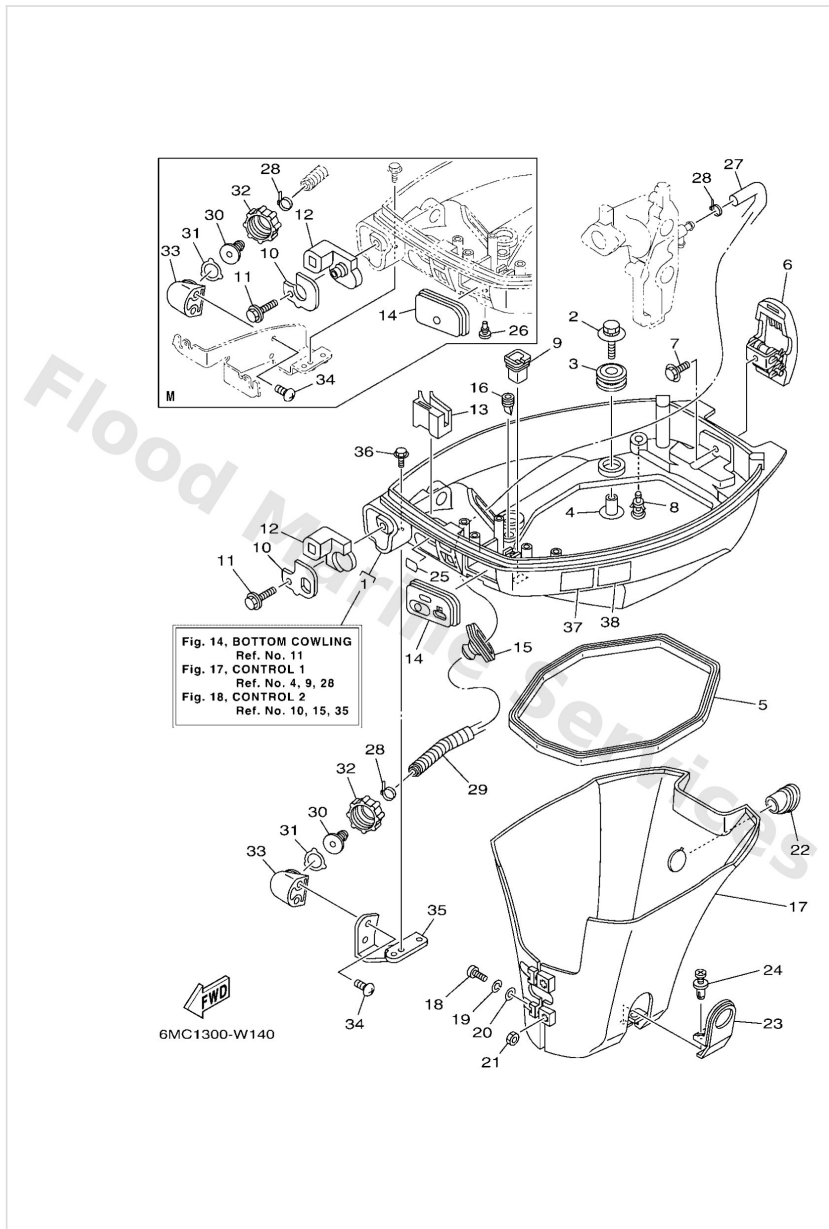
# Bottom Cowling



Ref	Part	
1	<a href="#">6DR42710008D</a> Bottom cowling assembly	<a href="#">Buy now</a>
2	<a href="#">68F8511900</a> Bolt	<a href="#">Buy now</a>
3	<a href="#">9048021M82</a> Grommet	<a href="#">Buy now</a>
4	<a href="#">9038706176</a> Collar	<a href="#">Buy now</a>
5	<a href="#">68T4271610</a> Rubber, seal 1	<a href="#">Buy now</a>
6	<a href="#">6AU4280100</a> Cowling clamp comp.	<a href="#">Buy now</a>
36	<a href="#">97E9506512</a> Bolt, hexagon w/w deep recess FLUSHING KIT	<a href="#">Buy now</a>
8	<a href="#">6BL4439100</a> Nipple, hose	<a href="#">Buy now</a>
9	<a href="#">6824272701</a> Grommet	<a href="#">Buy now</a>
10	<a href="#">6DR4276100</a> Stopper	<a href="#">Buy now</a>
10	<a href="#">6DR4276110</a> Stopper	<a href="#">Buy now</a>
11	<a href="#">9010906M86</a> Bolt	<a href="#">Buy now</a>
12	<a href="#">6DR4272501</a> Grommet	<a href="#">Buy now</a>
12	<a href="#">6DR4272530</a> Grommet	<a href="#">Buy now</a>
13	<a href="#">68T2636701</a> Protector	<a href="#">Buy now</a>

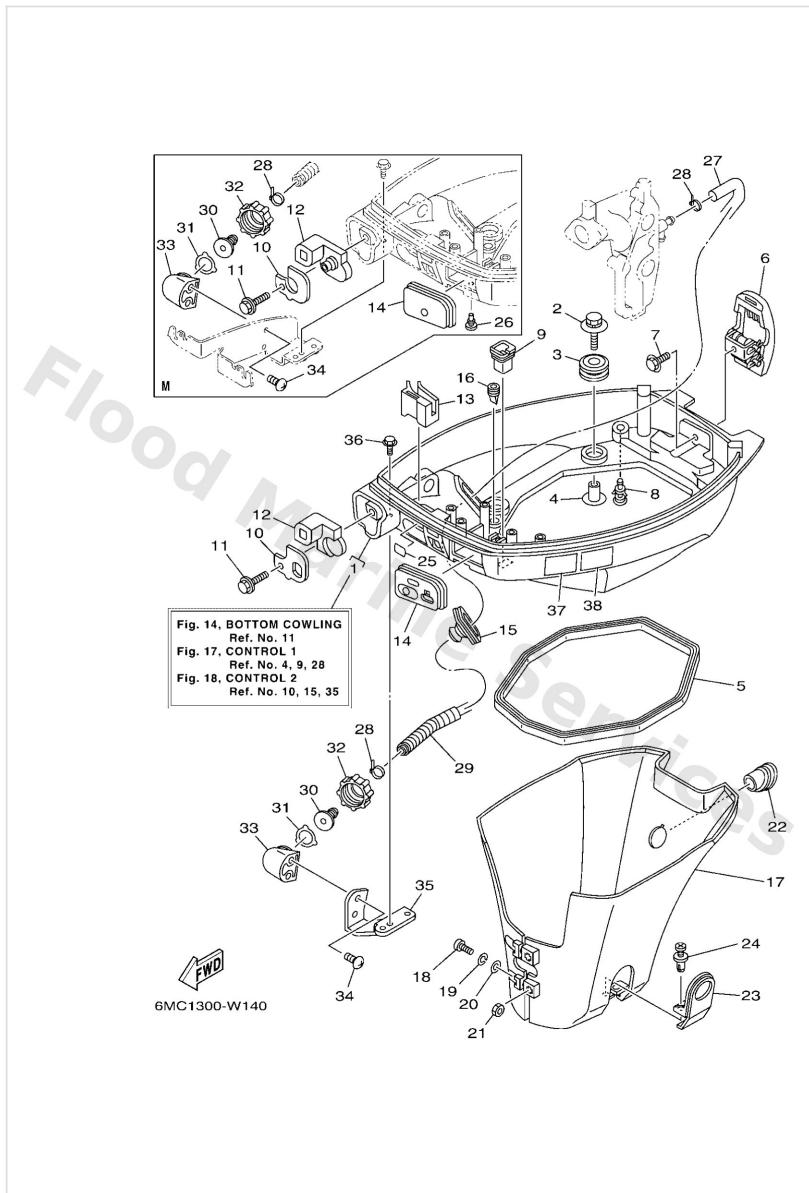


# Bottom Cowling



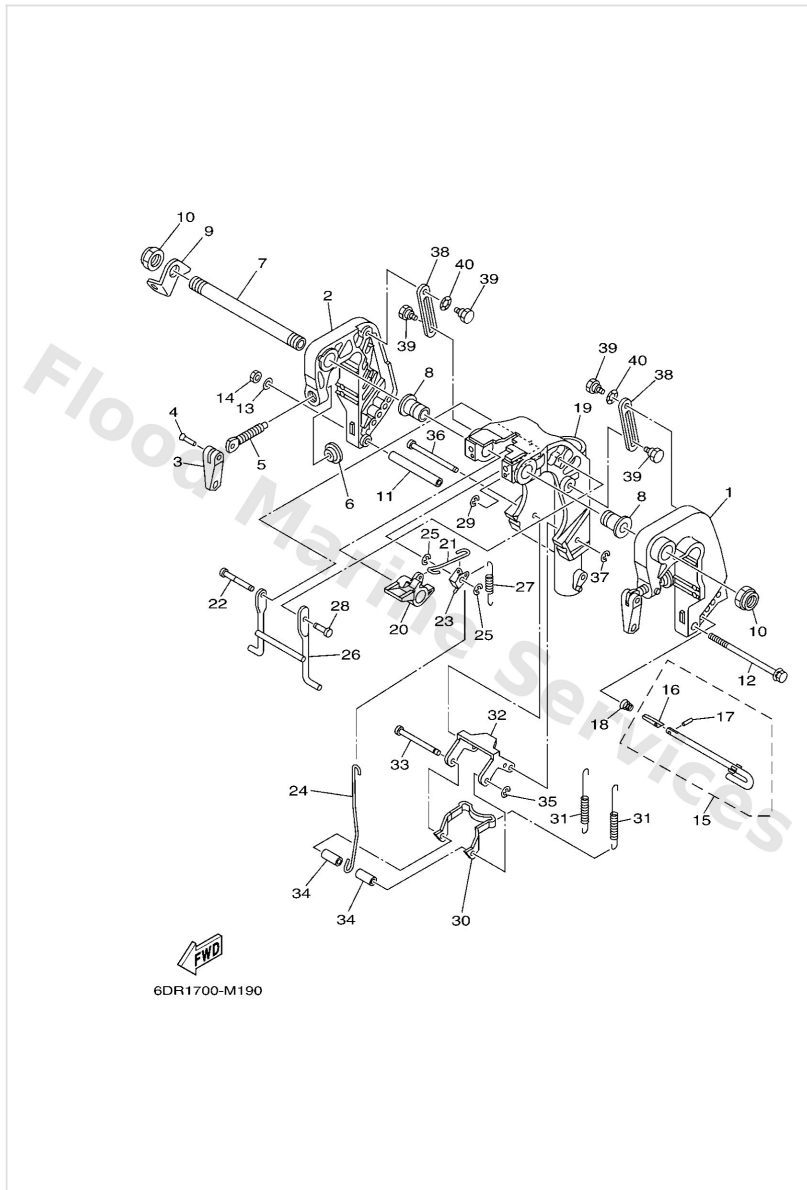
Ref	Part	
14	<a href="#">68T4272420</a> Grommet	<a href="#">Buy now</a>
14	<a href="#">68T4272450</a> Grommet	<a href="#">Buy now</a>
15	<a href="#">6884272611</a> Grommet FLUSHING KIT	<a href="#">Buy now</a>
16	<a href="#">65W4271700</a> Rubber, seal 2	<a href="#">Buy now</a>
17	<a href="#">68T4274100</a> Apron	<a href="#">Buy now</a>
18	<a href="#">9788506030</a> Screw, pan head(6e0)	<a href="#">Buy now</a>
19	<a href="#">9299506100</a> Washer(6a1)	<a href="#">Buy now</a>
20	<a href="#">9299506600</a> Washer, plain (646)	<a href="#">Buy now</a>
21	<a href="#">9538006600</a> Nut(661)	<a href="#">Buy now</a>
22	<a href="#">68T4271701</a> Rubber, seal 2	<a href="#">Buy now</a>
23	<a href="#">68T4277100</a> Apron	<a href="#">Buy now</a>
24	<a href="#">9033806M20</a> Plug	<a href="#">Buy now</a>
25	<a href="#">65W8434200</a> Seat, emblem	<a href="#">Buy now</a>
26	<a href="#">9048006M19</a> Grommet (6e3)	<a href="#">Buy now</a>
27	<a href="#">6E51248100</a> Pipe 1 FLUSHING KIT	<a href="#">Buy now</a>

# Bottom Cowling



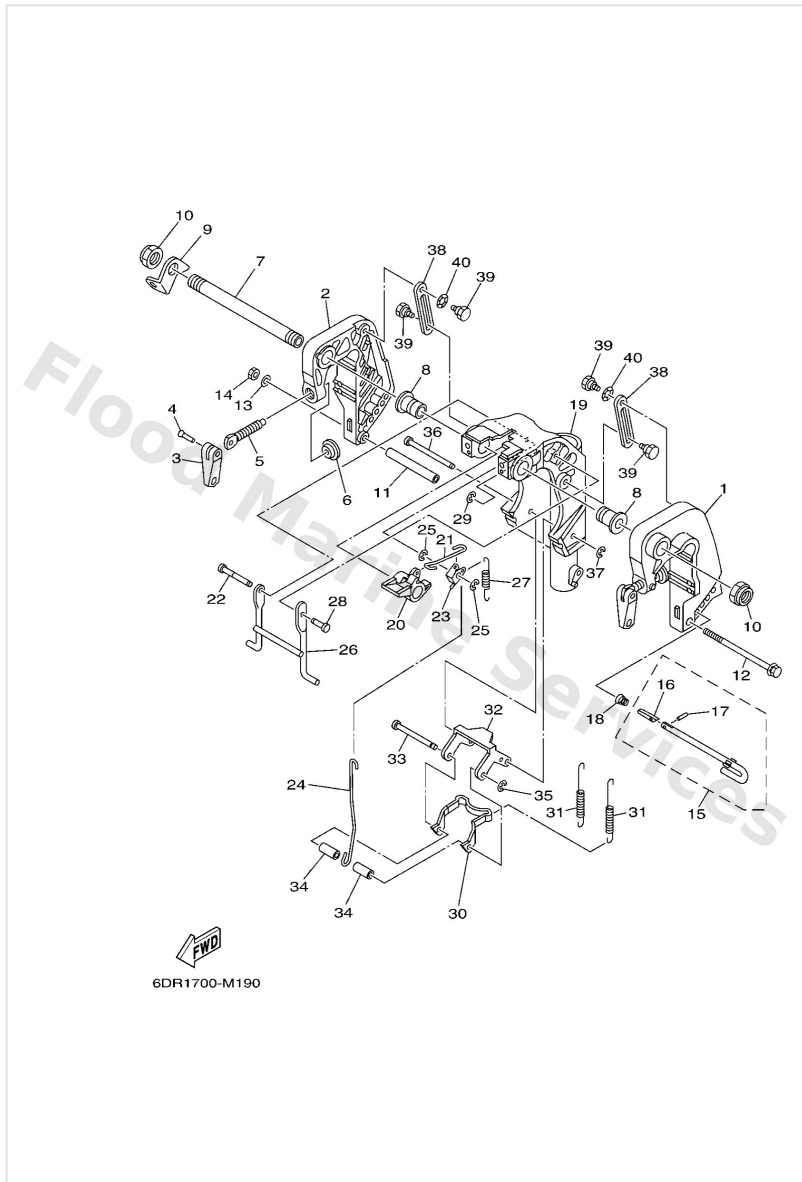
Ref	Part	
28	<a href="#">9046511M10</a> Clamp FLUSHING KIT	<a href="#">Buy now</a>
29	<a href="#">9044713M00</a> Hose, with spring FLUSHING KIT	<a href="#">Buy now</a>
30	<a href="#">6R31258200</a> Joint, hose 2 FLUSHING KIT	<a href="#">Buy now</a>
31	<a href="#">6R31258300</a> Gasket, hose joint FLUSHING KIT	<a href="#">Buy now</a>
32	<a href="#">6R31258100</a> Joint, hose 1 FLUSHING KIT	<a href="#">Buy now</a>
33	<a href="#">6DR1257200</a> Adapter FLUSHING KIT	<a href="#">Buy now</a>
34	<a href="#">9016706002</a> Screw, tapping FLUSHING KIT	<a href="#">Buy now</a>
35	<a href="#">68T1253520</a> Plate FLUSHING KIT	<a href="#">Buy now</a>
37	<a href="#">6EE4279440</a> Label, warning (general)	<a href="#">Buy now</a>
38	<a href="#">6EE4279450</a> Label, warning (general)	<a href="#">Buy now</a>

# Bracket 1



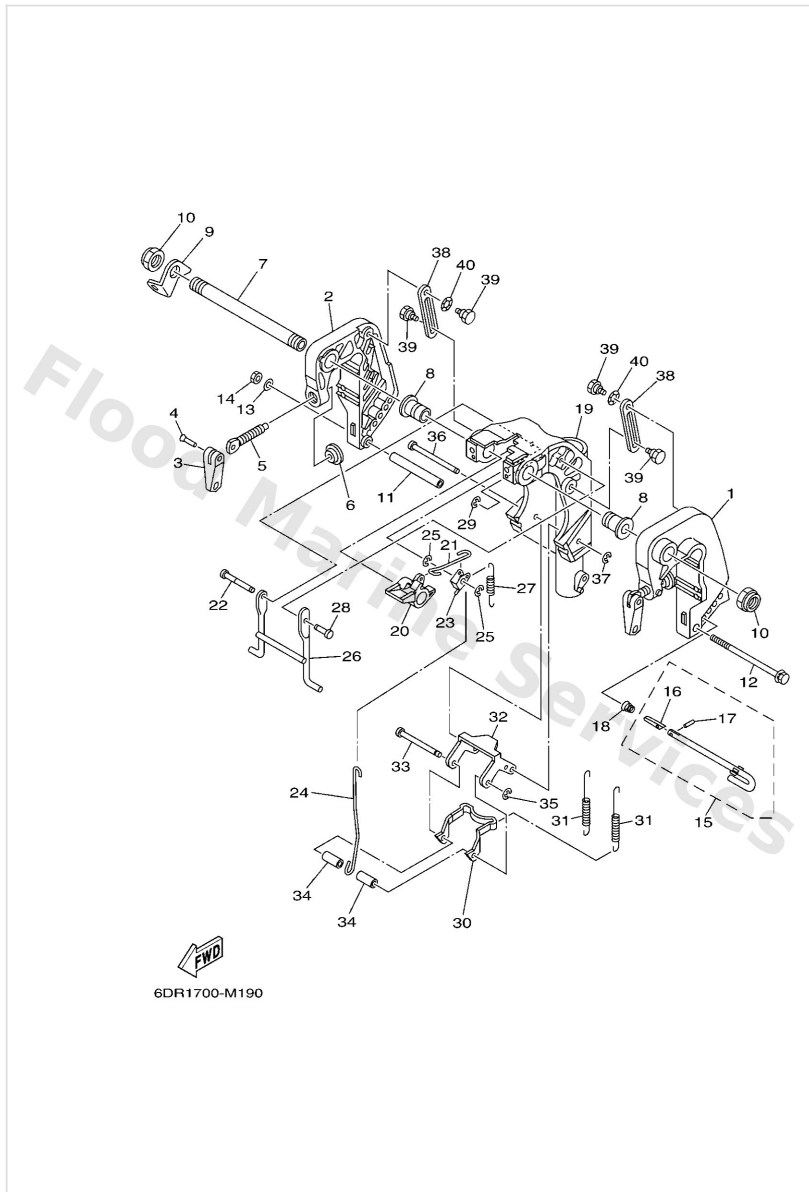
Ref	Part	
1	<a href="#">6AH43111008D</a> Bracket, clamp 1	<a href="#">Buy now</a>
2	<a href="#">6AH43112008D</a> Bracket, clamp 2	<a href="#">Buy now</a>
3	<a href="#">6E04311801</a> Handle, transom clamp	<a href="#">Buy now</a>
4	<a href="#">9024304M01</a> Pin(6a1)	<a href="#">Buy now</a>
5	<a href="#">6E74311600</a> Screw, transom clamp	<a href="#">Buy now</a>
6	<a href="#">6484311401</a> Pad, transom clamp	<a href="#">Buy now</a>
7	<a href="#">69A4313100</a> Bolt, clamp bracket <b>FOR RIDE GUIDE</b>	<a href="#">Buy now</a>
8	<a href="#">9038622MA4</a> Bush	<a href="#">Buy now</a>
9	<a href="#">66R4311300</a> Plate, clamp bracket	<a href="#">Buy now</a>
10	<a href="#">9018522043</a> Nut, self-locking	<a href="#">Buy now</a>
11	<a href="#">9038706M13</a> Collar(6h6)	<a href="#">Buy now</a>
12	<a href="#">9010106M18</a> Bolt(6I5)	<a href="#">Buy now</a>
13	<a href="#">9299506600</a> Washer, plain (646)	<a href="#">Buy now</a>
14	<a href="#">9538006700</a> Nut	<a href="#">Buy now</a>
15	<a href="#">6L24316001</a> Tilt rod assembly	<a href="#">Buy now</a>

# Bracket 1



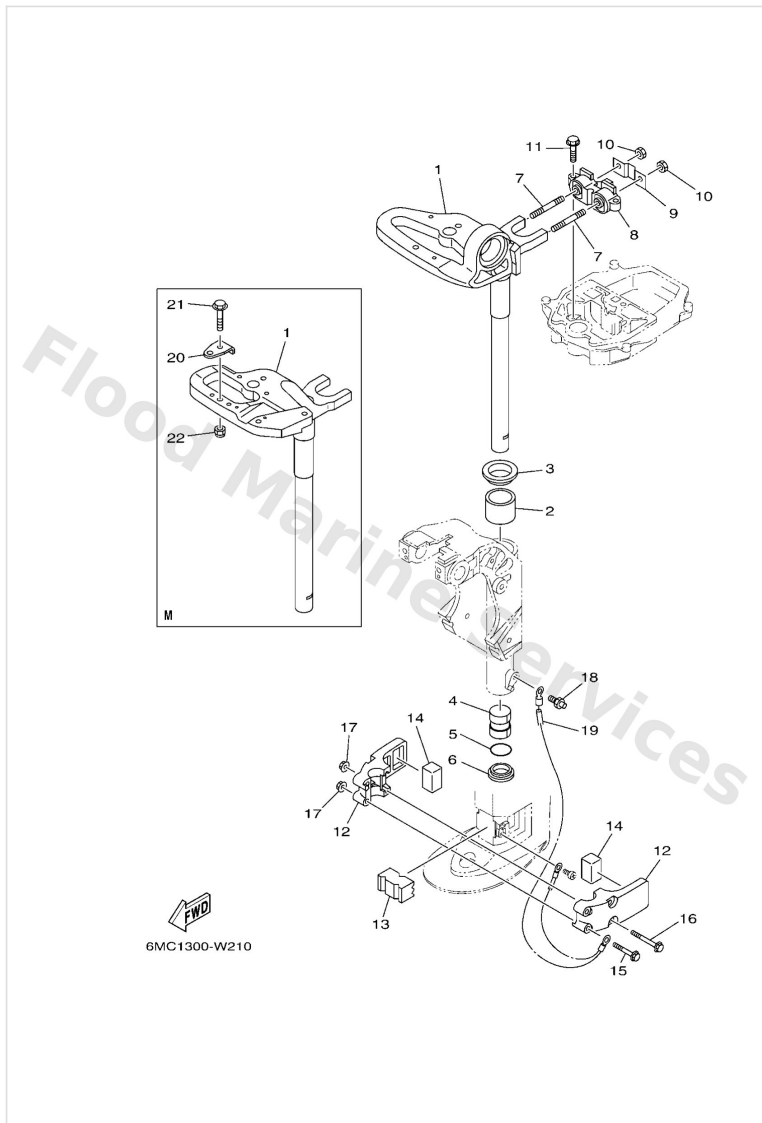
Ref	Part	
16	<a href="#">6894316500</a> Plate, tilt lock	<a href="#">Buy now</a>
17	<a href="#">9169030008</a> Pin. spring(656)	<a href="#">Buy now</a>
18	<a href="#">9050210M07</a> Spring, conical(6k3)	<a href="#">Buy now</a>
19	<a href="#">6AH43311008D</a> Bracket, swivel 1 S(17.0")	<a href="#">Buy now</a>
19	<a href="#">6AU43311108D</a> Bracket, swivel 1 L(22.0")	<a href="#">Buy now</a>
20	<a href="#">6DR4363100</a> Lever, tilt	<a href="#">Buy now</a>
21	<a href="#">6DR4361600</a> Rod, tilt lock	<a href="#">Buy now</a>
22	<a href="#">68T4364600</a> Shaft, lever	<a href="#">Buy now</a>
23	<a href="#">6DR4364100</a> Lever, tilt	<a href="#">Buy now</a>
24	<a href="#">6AH4361700</a> Rod, tilt lock	<a href="#">Buy now</a>
25	<a href="#">9908005600</a> Circlip(22k)	<a href="#">Buy now</a>
26	<a href="#">6AH4335000</a> Receiver assembly	<a href="#">Buy now</a>
27	<a href="#">9050618014</a> Spring, tension S(17.0")	<a href="#">Buy now</a>
27	<a href="#">9050620025</a> Spring, tension L(22.0")	<a href="#">Buy now</a>
28	<a href="#">63V4319100</a> Shaft, stopper	<a href="#">Buy now</a>

# Bracket 1



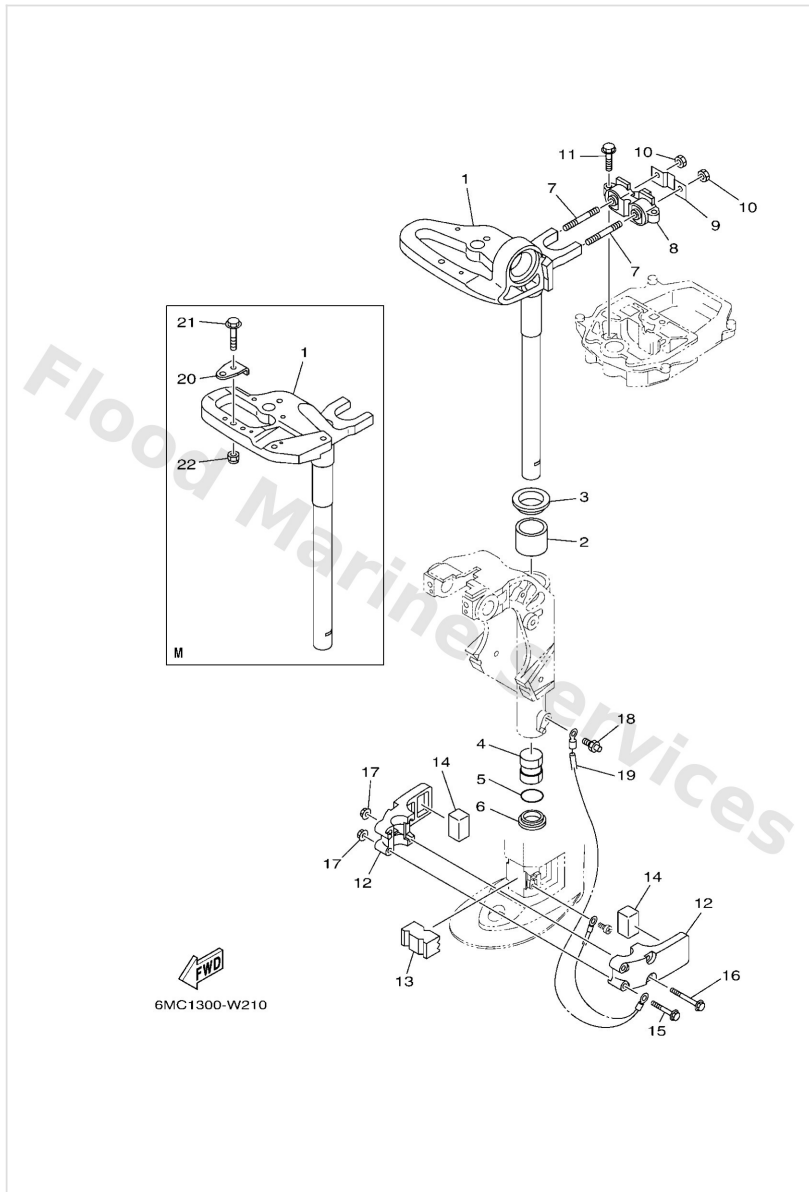
Ref	Part	
30	<a href="#">6AH4361400</a> Plate, tilt lock	<a href="#">Buy now</a>
31	<a href="#">9050620020</a> Spring, tension S(17.0")	<a href="#">Buy now</a>
31	<a href="#">9050623016</a> Spring, tension L(22.0")	<a href="#">Buy now</a>
32	<a href="#">6AH4361500</a> Plate, tilt lock	<a href="#">Buy now</a>
33	<a href="#">68T4361100</a> Shaft, tilt lock	<a href="#">Buy now</a>
34	<a href="#">9038706138</a> Collar	<a href="#">Buy now</a>
35	<a href="#">9343004M03</a> Circlip (eu0)	<a href="#">Buy now</a>
36	<a href="#">68T4365900</a> Shaft, reverse lock	<a href="#">Buy now</a>
38	<a href="#">6AH4362700</a> Stopper	<a href="#">Buy now</a>
39	<a href="#">9010906M84</a> Bolt	<a href="#">Buy now</a>
40	<a href="#">9020610M24</a> Washer, wave	<a href="#">Buy now</a>

# Bracket 2



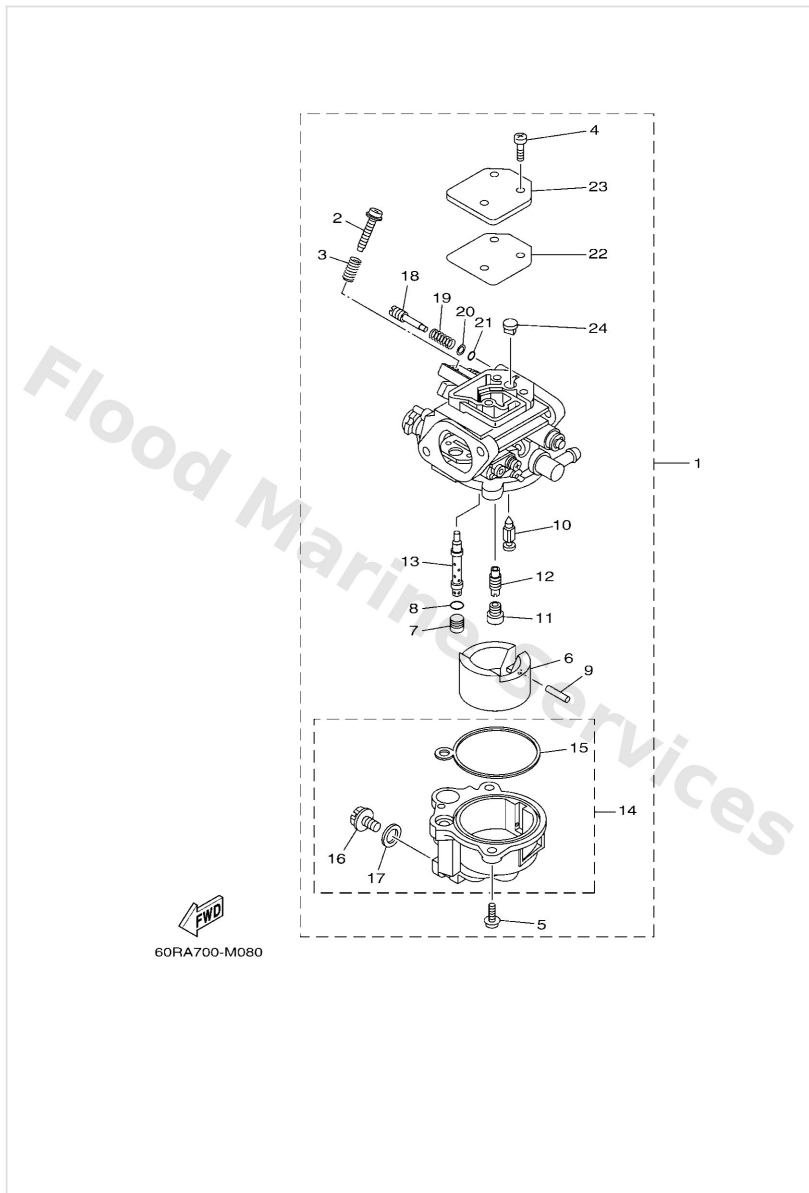
Ref	Part	
1	<a href="#">6AU42511008D</a> Bracket, steering S(17.0")	<a href="#">Buy now</a>
1	<a href="#">6AU42511108D</a> Bracket, steering L(22.0")	<a href="#">Buy now</a>
1	<a href="#">6DR42511008D</a> Bracket, steering S(17.0")	<a href="#">Buy now</a>
1	<a href="#">6DR42511108D</a> Bracket, steering L(22.0")	<a href="#">Buy now</a>
2	<a href="#">9038640001</a> Bush	<a href="#">Buy now</a>
3	<a href="#">9020940008</a> Washer	<a href="#">Buy now</a>
4	<a href="#">9038630048</a> Bush	<a href="#">Buy now</a>
5	<a href="#">9321029M94</a> O-ring(6h1)	<a href="#">Buy now</a>
6	<a href="#">9038630M60</a> Bush(6j8)	<a href="#">Buy now</a>
7	<a href="#">9011608M54</a> Bolt, stud(63v)	<a href="#">Buy now</a>
8	<a href="#">68T4451700</a> Mount rubber	<a href="#">Buy now</a>
9	<a href="#">68T4452600</a> Plate	<a href="#">Buy now</a>
10	<a href="#">9538008600</a> Nut (661)	<a href="#">Buy now</a>
11	<a href="#">97E7506525</a> Bolt, hexagon w/w deep recess	<a href="#">Buy now</a>
12	<a href="#">6AU44551008D</a> Housing, lower mount rubber 1	<a href="#">Buy now</a>

# Bracket 2



Ref	Part	
13	<a href="#">6AU4455701</a> Mount damper, lower front	<a href="#">Buy now</a>
14	<a href="#">6824455530</a> Mount damper, lower side	<a href="#">Buy now</a>
15	<a href="#">9011906012</a> Bolt, with washer	<a href="#">Buy now</a>
16	<a href="#">9011906198</a> Bolt, with washer	<a href="#">Buy now</a>
17	<a href="#">9017906M28</a> Nut(63v)	<a href="#">Buy now</a>
18	<a href="#">9370006M03</a> Nipple, grease(6a1)	<a href="#">Buy now</a>
19	<a href="#">68T8212700</a> Wire, lead 2	<a href="#">Buy now</a>
20	<a href="#">63V4851101</a> Hook, steering	<a href="#">Buy now</a>
21	<a href="#">97E7508535</a> Bolt, hexagon w/w deep recess	<a href="#">Buy now</a>
22	<a href="#">9018508057</a> Nut, nylon (6j8)	<a href="#">Buy now</a>

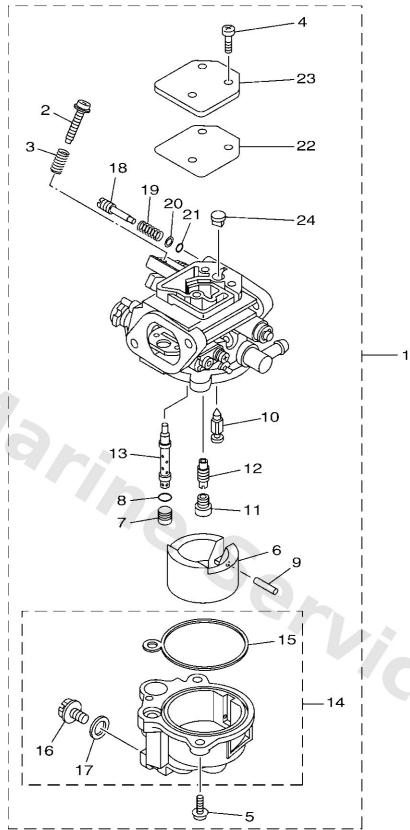
# Carburetor



Ref	Part	
1	<a href="#">6MC1430120</a> Carburetor assembly 1	<a href="#">Buy now</a>
2	<a href="#">69W1432100</a> Screw, throttle	<a href="#">Buy now</a>
3	<a href="#">62Y1421200</a> Spring, pilot adjusting	<a href="#">Buy now</a>
4	<a href="#">6DR1432100</a> Screw, throttle	<a href="#">Buy now</a>
5	<a href="#">62Y1432100</a> Screw, throttle	<a href="#">Buy now</a>
6	<a href="#">6DR1438500</a> Float	<a href="#">Buy now</a>
7	<a href="#">6DR1432A00</a> Plug	<a href="#">Buy now</a>
8	<a href="#">6DR1456100</a> O-ring	<a href="#">Buy now</a>
9	<a href="#">4FP1438600</a> Pin, float	<a href="#">Buy now</a>
10	<a href="#">6DR1433600</a> Needle	<a href="#">Buy now</a>
11	<a href="#">6FW1434339</a> Jet, Main (#78)	<a href="#">Buy now</a>
12	<a href="#">6FW1434221</a> Jet, pilot (#41)	<a href="#">Buy now</a>
13	<a href="#">6FW1434100</a> Nozzle, main	<a href="#">Buy now</a>
14	<a href="#">60S1438100</a> Body, float chamber	<a href="#">Buy now</a>
15	<a href="#">6DR1498400</a> Gasket, float chamber	<a href="#">Buy now</a>



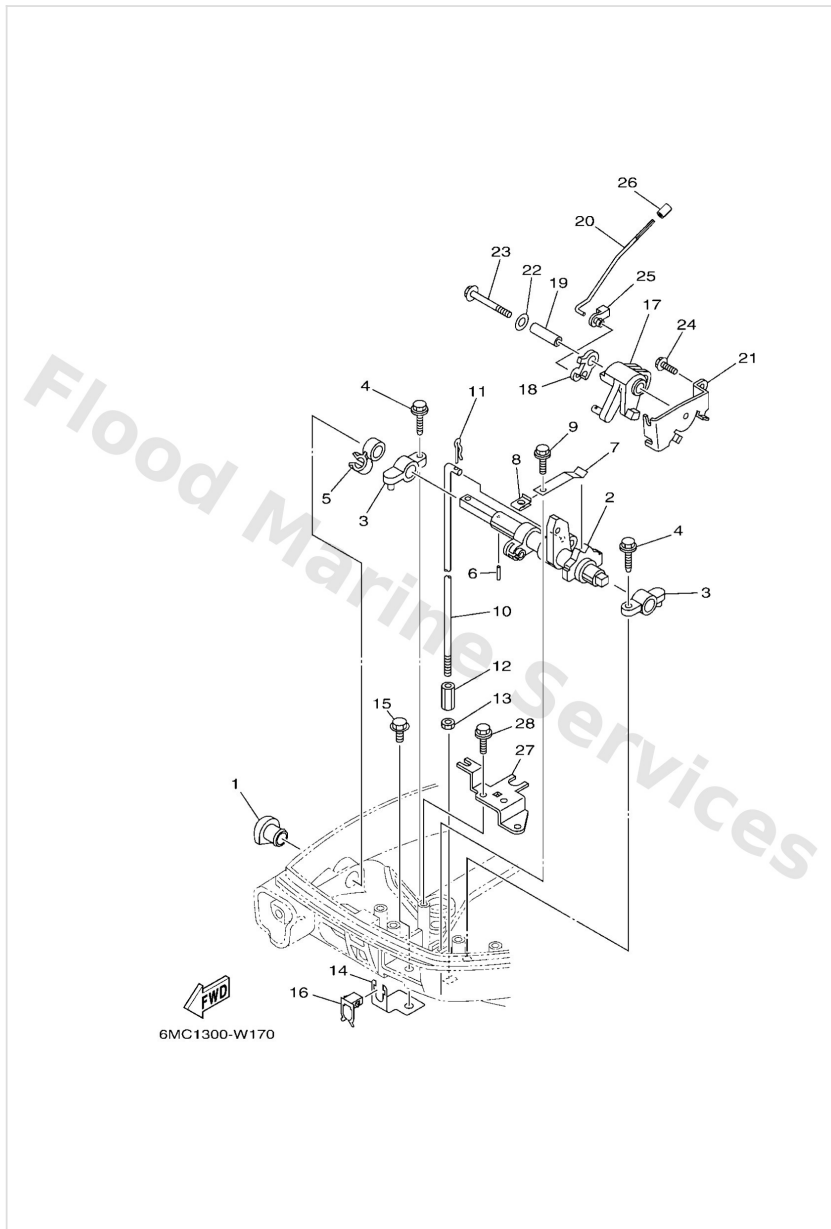
# Carburetor



  
6ORA700-M080

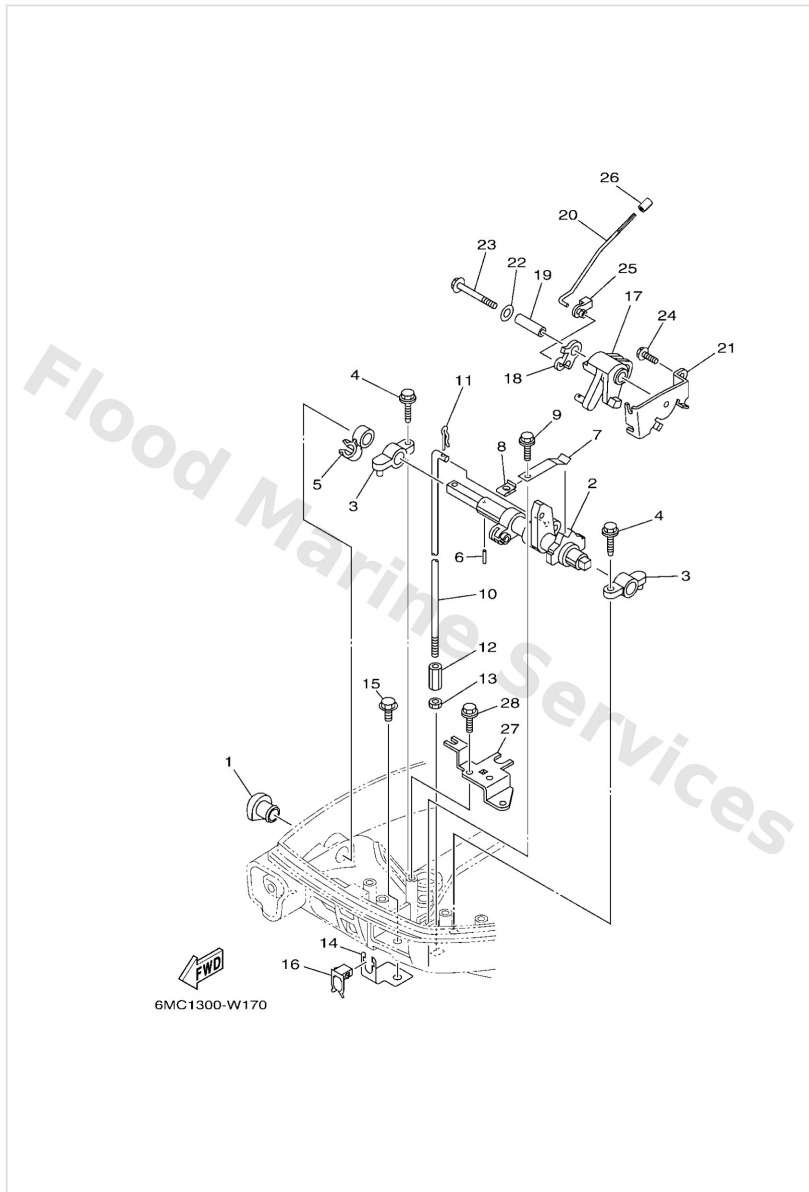
Ref	Part	
16	<a href="#">62Y1438330</a> Screw, drain	<a href="#">Buy now</a>
17	<a href="#">6521439700</a> Ring, o	<a href="#">Buy now</a>
18	<a href="#">6DR1432310</a> Screw, air adjusting	<a href="#">Buy now</a>
19	<a href="#">6DR1433400</a> Spring, air adjusting	<a href="#">Buy now</a>
20	<a href="#">6DR1428500</a> Washer	<a href="#">Buy now</a>
21	<a href="#">6DR1439700</a> O-ring	<a href="#">Buy now</a>
22	<a href="#">6DR1481800</a> Cover gasket	<a href="#">Buy now</a>
23	<a href="#">6DR1415700</a> Cover, mixing	<a href="#">Buy now</a>
24	<a href="#">6DR1486200</a> Plug	<a href="#">Buy now</a>

# Control 1



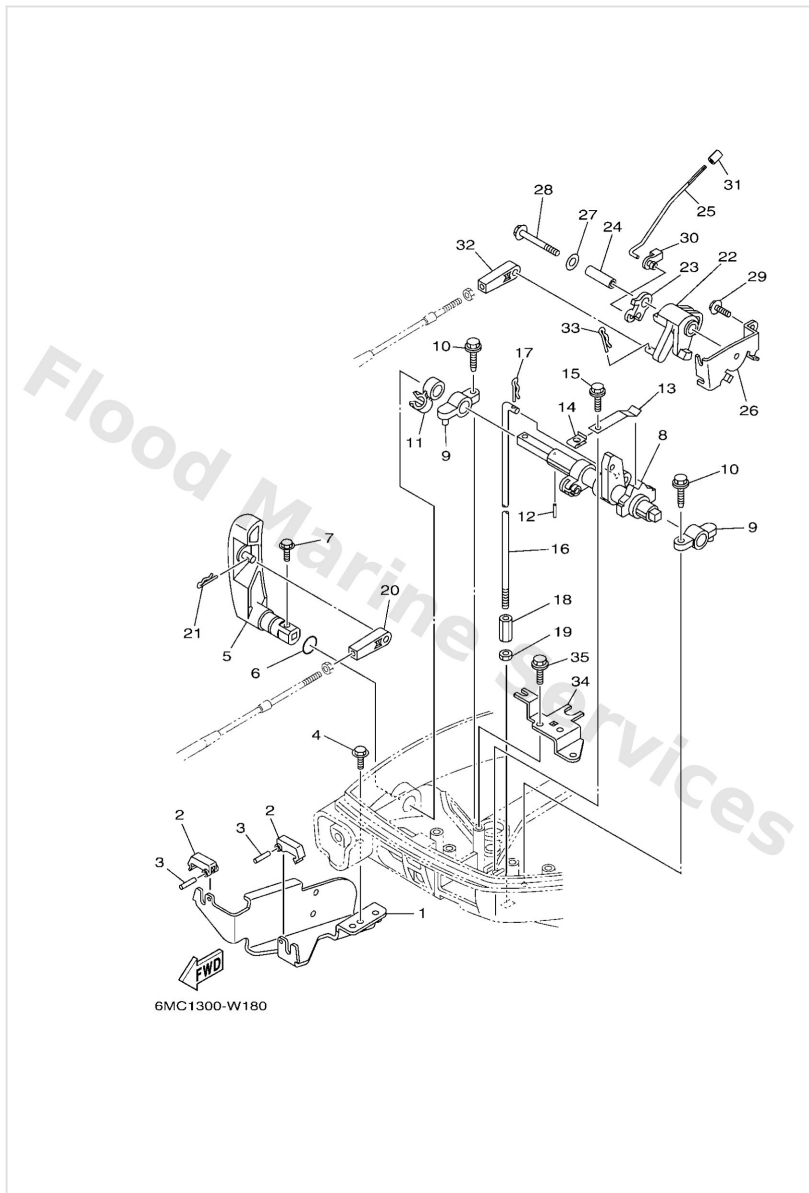
Ref	Part	
1	<a href="#">68T4272601</a> Grommet	<a href="#">Buy now</a>
2	<a href="#">68T4412103</a> Lever, shift rod	<a href="#">Buy now</a>
3	<a href="#">6G1416620194</a> Bracket	<a href="#">Buy now</a>
4	<a href="#">9010906M81</a> Bolt	<a href="#">Buy now</a>
5	<a href="#">9046410M60</a> Clamp	<a href="#">Buy now</a>
6	<a href="#">9169030014</a> Pin, spring (647)	<a href="#">Buy now</a>
7	<a href="#">65W4411600</a> Spring	<a href="#">Buy now</a>
8	<a href="#">6DR4411700</a> Bracket	<a href="#">Buy now</a>
9	<a href="#">9010906M86</a> Bolt	<a href="#">Buy now</a>
10	<a href="#">68T4414301</a> Rod, shift 1 S(17.0")	<a href="#">Buy now</a>
10	<a href="#">68T4414311</a> Rod, shift 1 L(22.0")	<a href="#">Buy now</a>
11	<a href="#">9046818001</a> Clip	<a href="#">Buy now</a>
12	<a href="#">61N4414600</a> Connector, shift rod	<a href="#">Buy now</a>
13	<a href="#">9538006700</a> Nut	<a href="#">Buy now</a>
14	<a href="#">68T4853800</a> Clamp, cable 1	<a href="#">Buy now</a>

# Control 1



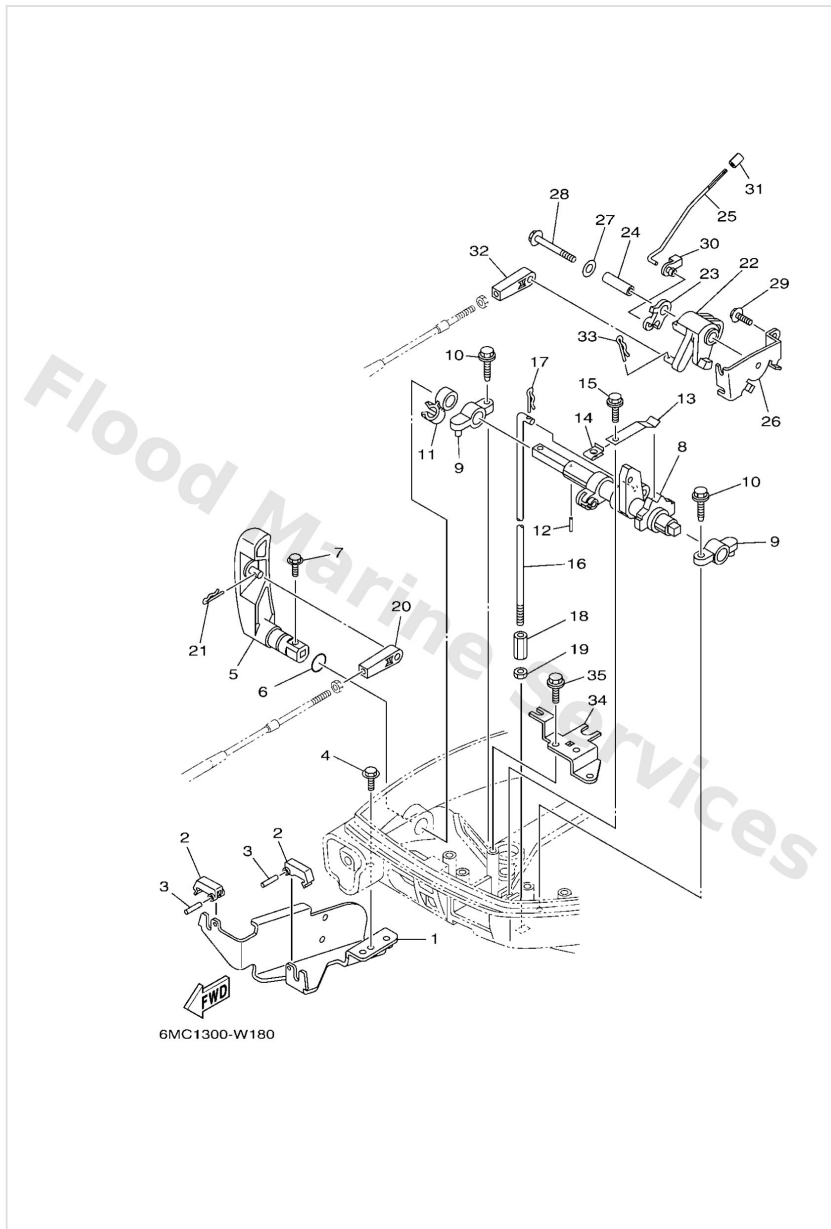
Ref	Part	
15	<a href="#">97E9506512</a> Bolt, hexagon w/w deep recess	<a href="#">Buy now</a>
16	<a href="#">63D4853800</a> Clamp, cable 1	<a href="#">Buy now</a>
17	<a href="#">68T4163800</a> Pulley	<a href="#">Buy now</a>
18	<a href="#">68T4128300</a> Lever, free accel.	<a href="#">Buy now</a>
19	<a href="#">9038706M59</a> Collar (6h3)	<a href="#">Buy now</a>
20	<a href="#">6AU4121100</a> Link, accel.	<a href="#">Buy now</a>
21	<a href="#">68T1449700</a> Stay, throttle wire	<a href="#">Buy now</a>
22	<a href="#">9020106M62</a> Washer, plate (6e5)	<a href="#">Buy now</a>
23	<a href="#">97E9506545</a> Bolt, hexagon w/w deep recess	<a href="#">Buy now</a>
25	<a href="#">6J84126200</a> Joint, choke lever	<a href="#">Buy now</a>
26	<a href="#">6FW1344800</a> Cap	<a href="#">Buy now</a>
27	<a href="#">68T1577420</a> Stay 4	<a href="#">Buy now</a>

## Control 2



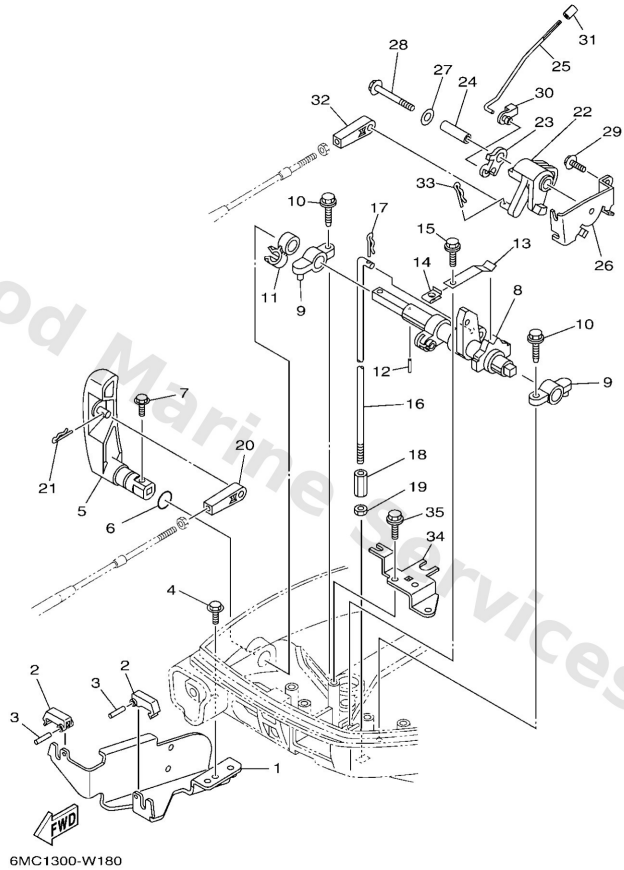
Ref	Part	
1	<a href="#">6DR4853101</a> Bracket, remote control 1	<a href="#">Buy now</a>
2	<a href="#">6824853850</a> Clamp, cable	<a href="#">Buy now</a>
3	<a href="#">9169030012</a> Pin, spring	<a href="#">Buy now</a>
4	<a href="#">97E9506512</a> Bolt, hexagon w/w deep recess	<a href="#">Buy now</a>
5	<a href="#">6AU4411110</a> Handle, gear shift	<a href="#">Buy now</a>
6	<a href="#">9321012327</a> O-ring(3ld)	<a href="#">Buy now</a>
7	<a href="#">9759505516</a> Bolt, with washer	<a href="#">Buy now</a>
8	<a href="#">68T4412103</a> Lever, shift rod	<a href="#">Buy now</a>
9	<a href="#">6G1416620194</a> Bracket	<a href="#">Buy now</a>
10	<a href="#">9010906M81</a> Bolt	<a href="#">Buy now</a>
11	<a href="#">9046410M60</a> Clamp	<a href="#">Buy now</a>
12	<a href="#">9169030014</a> Pin, spring (647)	<a href="#">Buy now</a>
13	<a href="#">65W4411600</a> Spring	<a href="#">Buy now</a>
14	<a href="#">6DR4411700</a> Bracket	<a href="#">Buy now</a>
15	<a href="#">9010906M86</a> Bolt	<a href="#">Buy now</a>

## Control 2



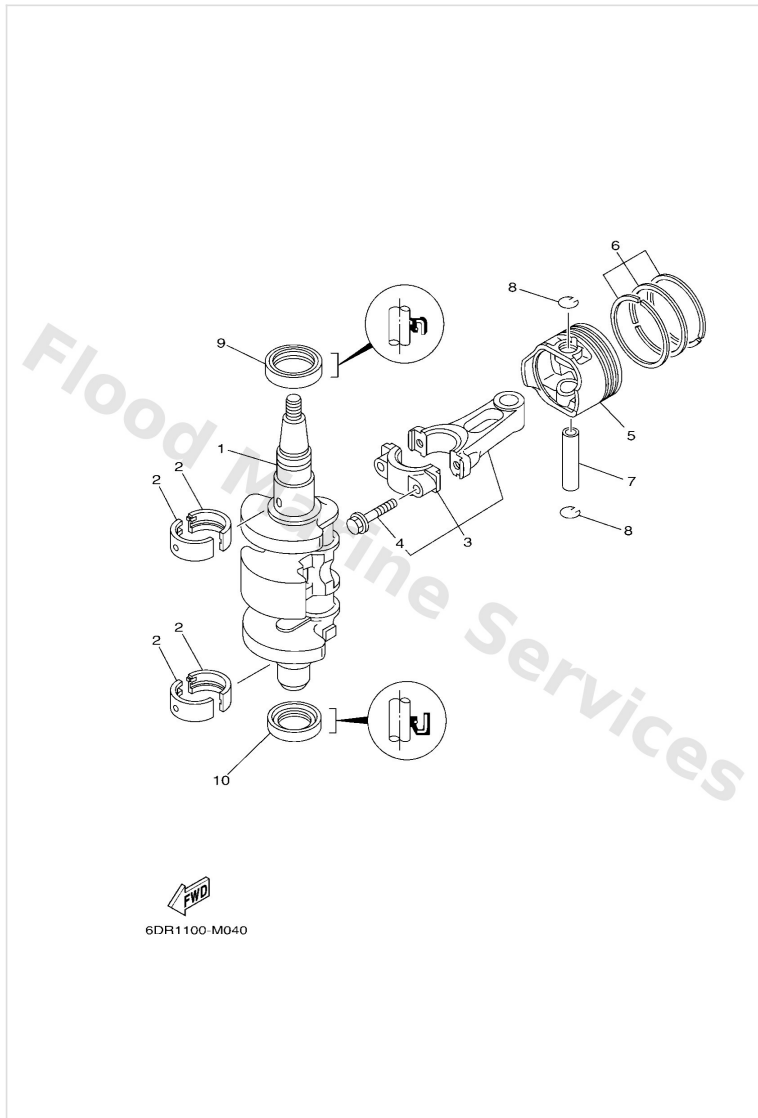
Ref	Part	
16	<a href="#">68T4414301</a> Rod, shift 1 S(17.0")	<a href="#">Buy now</a>
16	<a href="#">68T4414311</a> Rod, shift 1 L(22.0")	<a href="#">Buy now</a>
17	<a href="#">9046818001</a> Clip	<a href="#">Buy now</a>
18	<a href="#">61N4414600</a> Connector, shift rod	<a href="#">Buy now</a>
19	<a href="#">9538006700</a> Nut	<a href="#">Buy now</a>
20	<a href="#">6FM4834400</a> Cable end, remote control	<a href="#">Buy now</a>
21	<a href="#">9046818008</a> Clip 620436610000	<a href="#">Buy now</a>
22	<a href="#">68T4163800</a> Pulley	<a href="#">Buy now</a>
23	<a href="#">68T4128300</a> Lever, free accel.	<a href="#">Buy now</a>
24	<a href="#">9038706M59</a> Collar (6h3)	<a href="#">Buy now</a>
25	<a href="#">6AU4121100</a> Link, accel.	<a href="#">Buy now</a>
26	<a href="#">68T1449700</a> Stay, throttle wire	<a href="#">Buy now</a>
27	<a href="#">9020106M62</a> Washer, plate (6e5)	<a href="#">Buy now</a>
28	<a href="#">97E9506545</a> Bolt, hexagon w/w deep recess	<a href="#">Buy now</a>
30	<a href="#">6J84126200</a> Joint, choke lever	<a href="#">Buy now</a>

## Control 2



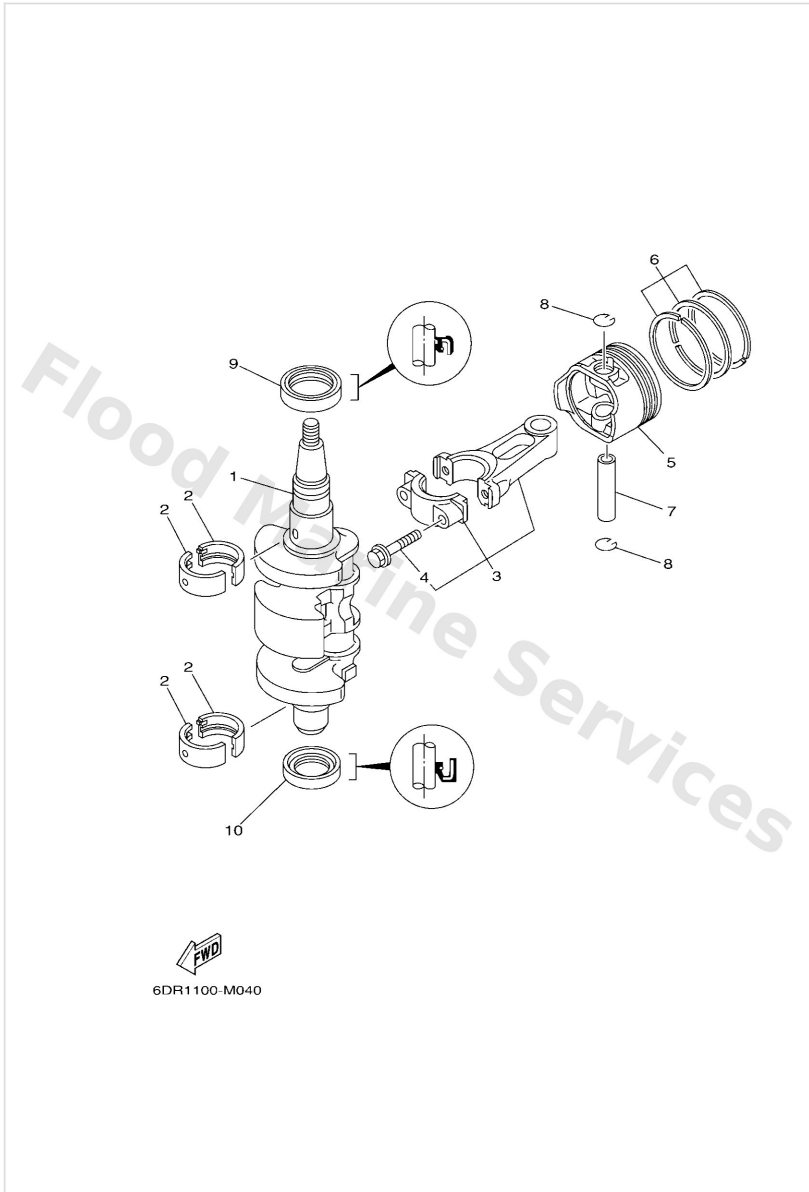
Ref	Part	
31	<a href="#">6FW1344800</a> Cap	<a href="#">Buy now</a>
34	<a href="#">68T1577420</a> Stay 4	<a href="#">Buy now</a>

# Crankshaft & Piston



Ref	Part	
1	<a href="#">6AU1141100</a> Crankshaft	<a href="#">Buy now</a>
2	<a href="#">68T1141601</a> Plane bearing, crankshaft 1 UR BROWN	<a href="#">Buy now</a>
2	<a href="#">68T1141611</a> Plane bearing, crankshaft 1 UR BLACK	<a href="#">Buy now</a>
2	<a href="#">68T1141621</a> Plane bearing, crankshaft 1 UR BLUE	<a href="#">Buy now</a>
3	<a href="#">6AU1165000</a> Connecting rod assembly	<a href="#">Buy now</a>
4	<a href="#">67D1165400</a> Bolt, connecting rod	<a href="#">Buy now</a>
5	<a href="#">6AU116310096</a> Piston (std)	<a href="#">Buy now</a>
5	<a href="#">6AU1163500</a> Piston (0.25mm o/s) AP	<a href="#">Buy now</a>
5	<a href="#">6AU1163600</a> Piston (0.50mm o/s) AP	<a href="#">Buy now</a>
6	<a href="#">68T1160301</a> Piston ring set (std)	<a href="#">Buy now</a>
6	<a href="#">68T1160401</a> Piston ring set (0.25mm o/s) AP	<a href="#">Buy now</a>
6	<a href="#">68T1160501</a> Piston ring set (0.50mm o/s) AP	<a href="#">Buy now</a>
7	<a href="#">68T1163300</a> Pin, piston	<a href="#">Buy now</a>
8	<a href="#">9345015023</a> Circlip 131116340000	<a href="#">Buy now</a>
9	<a href="#">9310230M22</a> Oil seal (6g8)	<a href="#">Buy now</a>

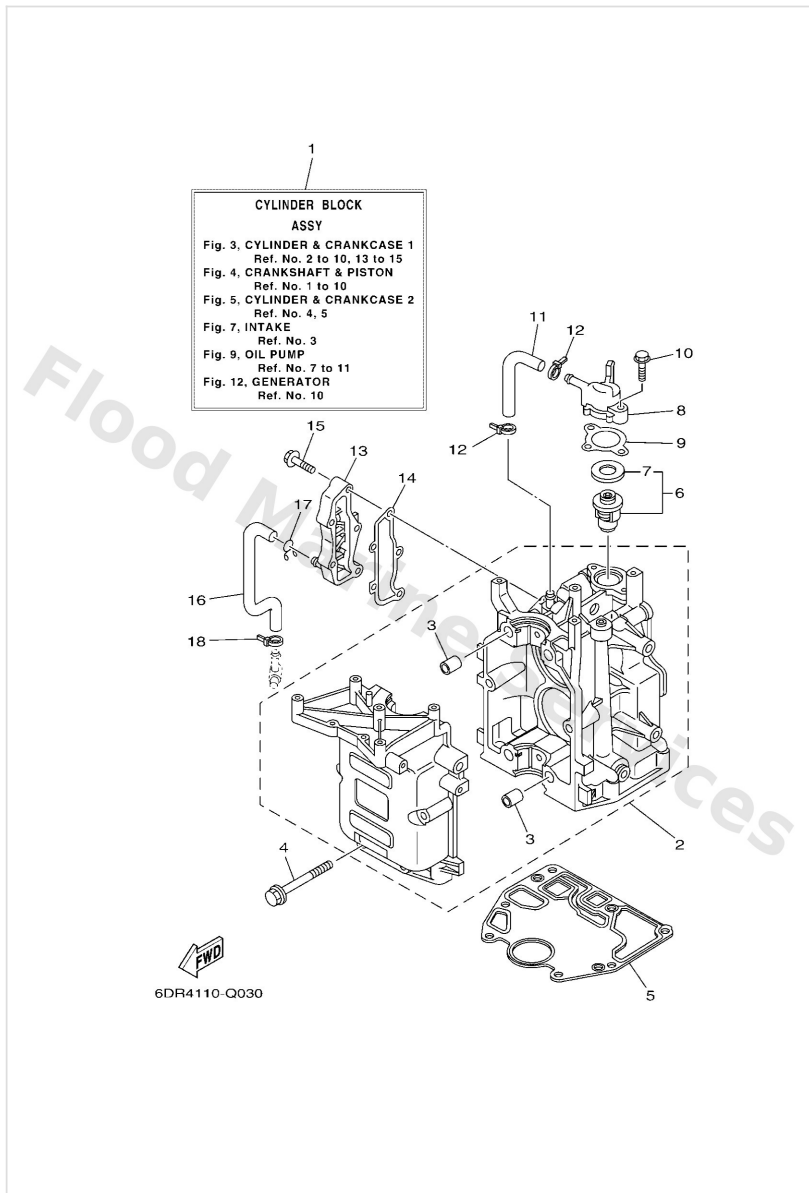
# Crankshaft & Piston



Ref	Part	
10	<a href="#">9310125M69</a> Oil seal	<a href="#">Buy now</a>

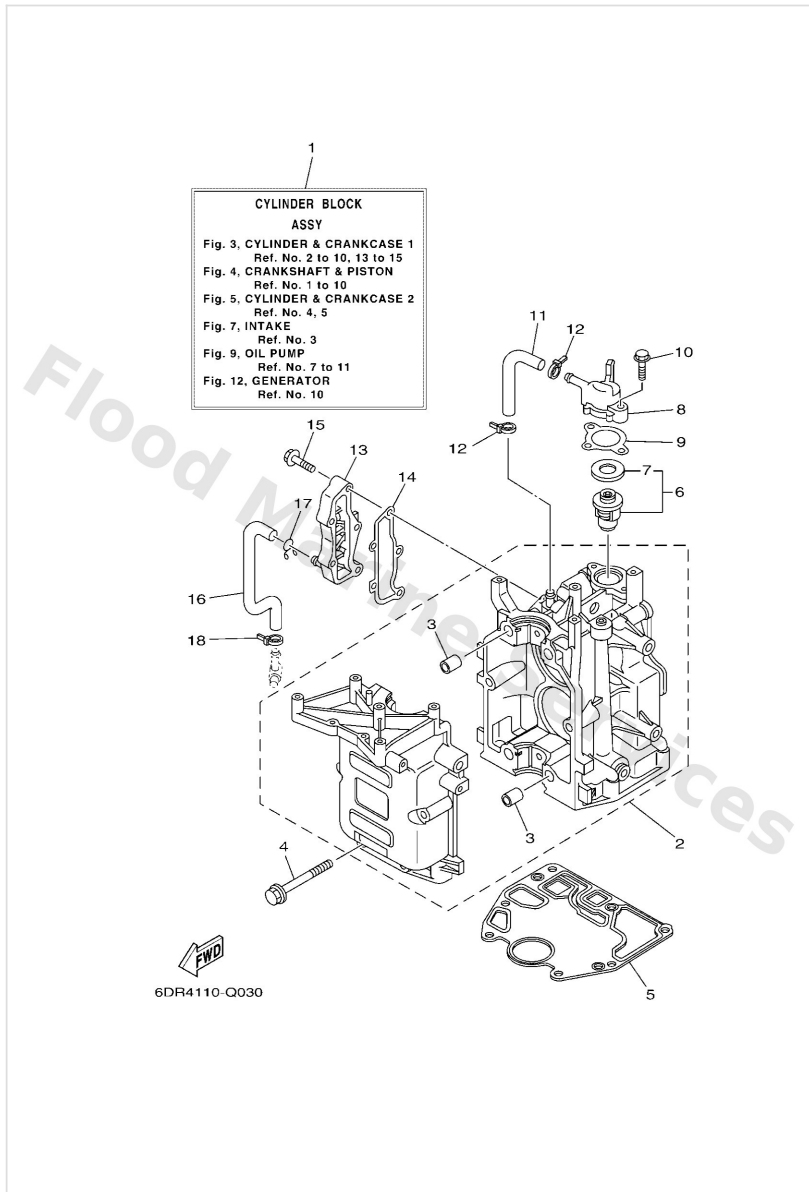


# Cylinder & Crankcase 1



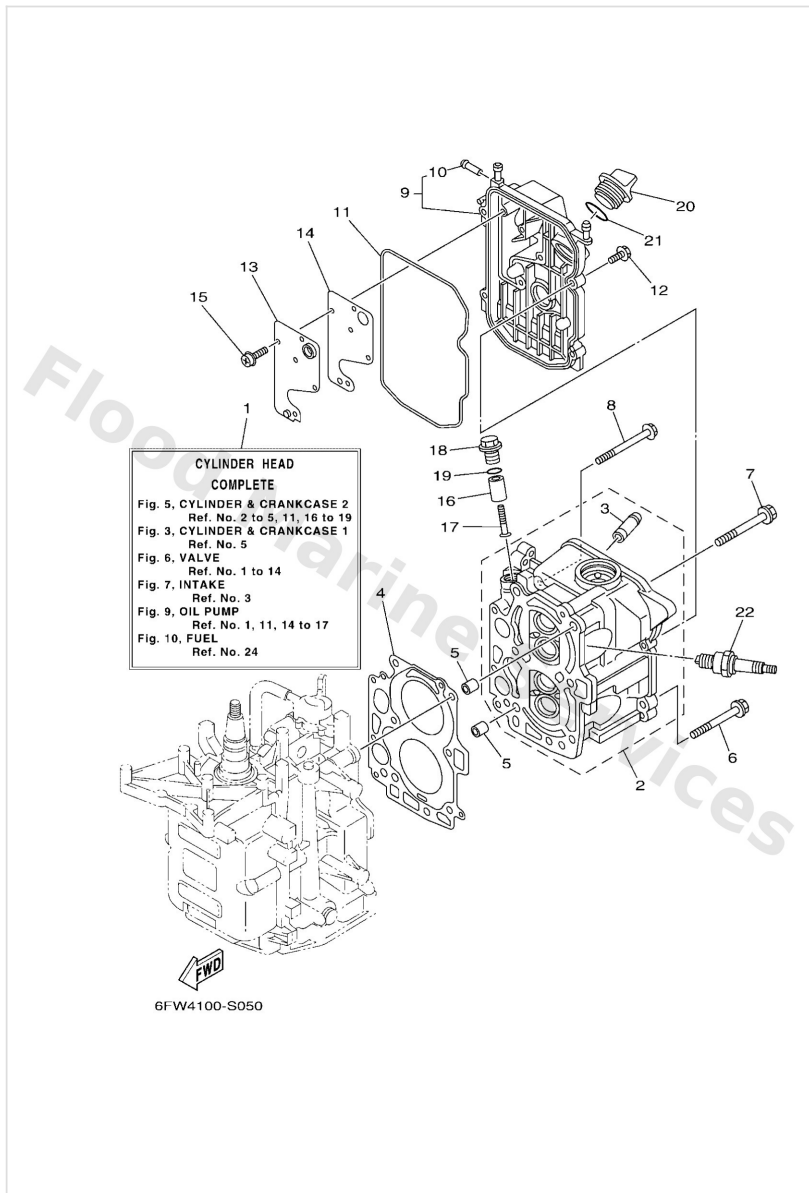
Ref	Part	
1	<a href="#">6AUW009B001S</a> Cylinder block assembly	<a href="#">Buy now</a>
2	<a href="#">6AU1510000</a> Crankcase assembly	<a href="#">Buy now</a>
3	<a href="#">9953012016</a> Pin, dowel	<a href="#">Buy now</a>
4	<a href="#">9011908M29</a> Bolt, with washer	<a href="#">Buy now</a>
5	<a href="#">68T1135100</a> Gasket, cylinder	<a href="#">Buy now</a>
6	<a href="#">66M1241101</a> Thermostat	<a href="#">Buy now</a>
7	<a href="#">6881241200</a> Seal, thermostat	<a href="#">Buy now</a>
8	<a href="#">68T12413001S</a> Cover, thermostat	<a href="#">Buy now</a>
9	<a href="#">6G812414A0</a> Gasket, cover	<a href="#">Buy now</a>
10	<a href="#">9011906MA2</a> Bolt, with washer	<a href="#">Buy now</a>
11	<a href="#">68T1248100</a> Pipe 1	<a href="#">Buy now</a>
12	<a href="#">9046511M10</a> Clamp	<a href="#">Buy now</a>
13	<a href="#">6AU41113001S</a> Outer cover, exhaust	<a href="#">Buy now</a>
14	<a href="#">68T41114A0</a> Gasket, exhaust outer cover	<a href="#">Buy now</a>
15	<a href="#">9011906MA3</a> Bolt, with washer	<a href="#">Buy now</a>

# Cylinder & Crankcase 1



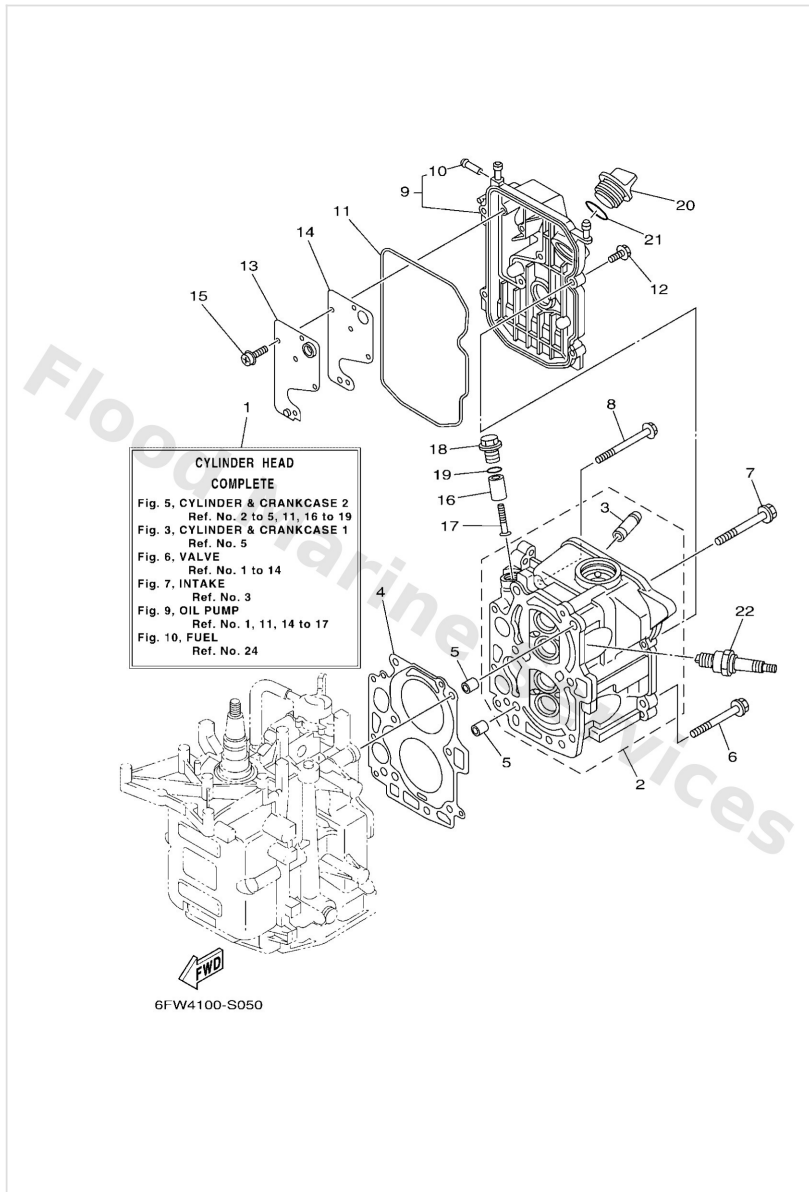
Ref	Part	
16	<a href="#">68T1248200</a> Pipe 2	<a href="#">Buy now</a>
17	<a href="#">9046710M04</a> Clip, pipe 1 (6e9)	<a href="#">Buy now</a>

# Cylinder & Crankcase 2



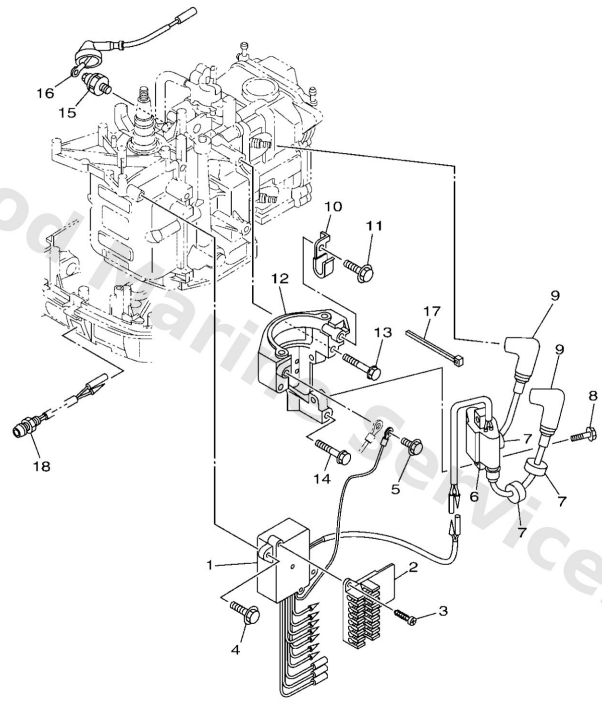
Ref	Part	
1	<a href="#">6AUW009A021S</a> Cylinder head complete	<a href="#">Buy now</a>
2	<a href="#">6AU1111001S</a> Head, cylinder 1	<a href="#">Buy now</a>
3	<a href="#">6AU1113310</a> Guide, valve 1	<a href="#">Buy now</a>
4	<a href="#">68T1118100</a> Gasket, cylinder head 1	<a href="#">Buy now</a>
5	<a href="#">9953010114</a> Pin, dowel(3vd)	<a href="#">Buy now</a>
6	<a href="#">9010508M36</a> Bolt (6g8)	<a href="#">Buy now</a>
7	<a href="#">9010508M78</a> Bolt, washer based	<a href="#">Buy now</a>
8	<a href="#">9011906049</a> Bolt, with washer	<a href="#">Buy now</a>
9	<a href="#">68T11191011S</a> Cover, cylinder head 1	<a href="#">Buy now</a>
10	<a href="#">6502437800</a> Pipe, joint 2	<a href="#">Buy now</a>
11	<a href="#">68T1135600</a> Seal, cylinder 2	<a href="#">Buy now</a>
12	<a href="#">97E9506520</a> Bolt, hexagon w/w deep recess	<a href="#">Buy now</a>
13	<a href="#">68T1116800</a> Cover, breather	<a href="#">Buy now</a>
14	<a href="#">68T11169A0</a> Gasket, breather cover	<a href="#">Buy now</a>
15	<a href="#">9760704210</a> Screw, pan head with washer	<a href="#">Buy now</a>

# Cylinder & Crankcase 2



Ref	Part	
16	<a href="#">6G81132500</a> Anode	<a href="#">Buy now</a>
17	<a href="#">9898005025</a> Screw, panhead (a93)	<a href="#">Buy now</a>
18	<a href="#">6G811197A0</a> Plug, blind	<a href="#">Buy now</a>
19	<a href="#">9321013M63</a> O-ring (6g8)	<a href="#">Buy now</a>
20	<a href="#">6G81536300</a> Plug, oil	<a href="#">Buy now</a>
21	<a href="#">9321024M79</a> O-ring	<a href="#">Buy now</a>
22	<a href="#">9470200274</a> Plug, spark (br6hs-10)	<a href="#">Buy now</a>

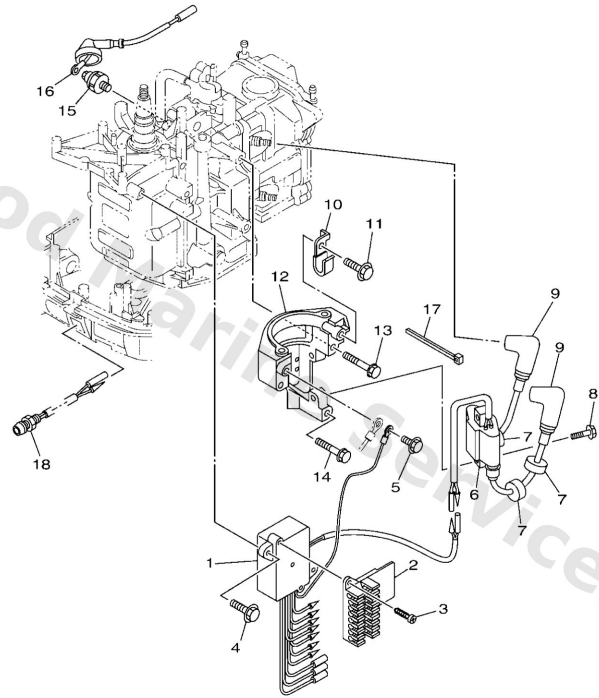
# Electrical



  
6FW3100-R130

Ref	Part	
1	<a href="#">68T8554000</a> C.d.i. unit assembly	<a href="#">Buy now</a>
2	<a href="#">68T8252200</a> Clamp, coupler	<a href="#">Buy now</a>
3	<a href="#">9778040512</a> Screw, pan head tapping	<a href="#">Buy now</a>
4	<a href="#">97E9506520</a> Bolt, hexagon w/w deep recess	<a href="#">Buy now</a>
5	<a href="#">97E9506512</a> Bolt, hexagon w/w deep recess	<a href="#">Buy now</a>
6	<a href="#">6808557002</a> Ignition coil assembly	<a href="#">Buy now</a>
7	<a href="#">9048025003</a> Grommet	<a href="#">Buy now</a>
8	<a href="#">9011906MA3</a> Bolt, with washer	<a href="#">Buy now</a>
9	<a href="#">6E38237021</a> Plug cap assembly	<a href="#">Buy now</a>
10	<a href="#">9046508M99</a> Clamp	<a href="#">Buy now</a>
12	<a href="#">68T8182201</a> Bracket, starting motor	<a href="#">Buy now</a>
13	<a href="#">9011908046</a> Bolt, with washer	<a href="#">Buy now</a>
14	<a href="#">9011908020</a> Bolt, with washer	<a href="#">Buy now</a>
15	<a href="#">67F8250400</a> Oil pressure switch assembly	<a href="#">Buy now</a>
16	<a href="#">68T8212711</a> Wire, lead 2	<a href="#">Buy now</a>

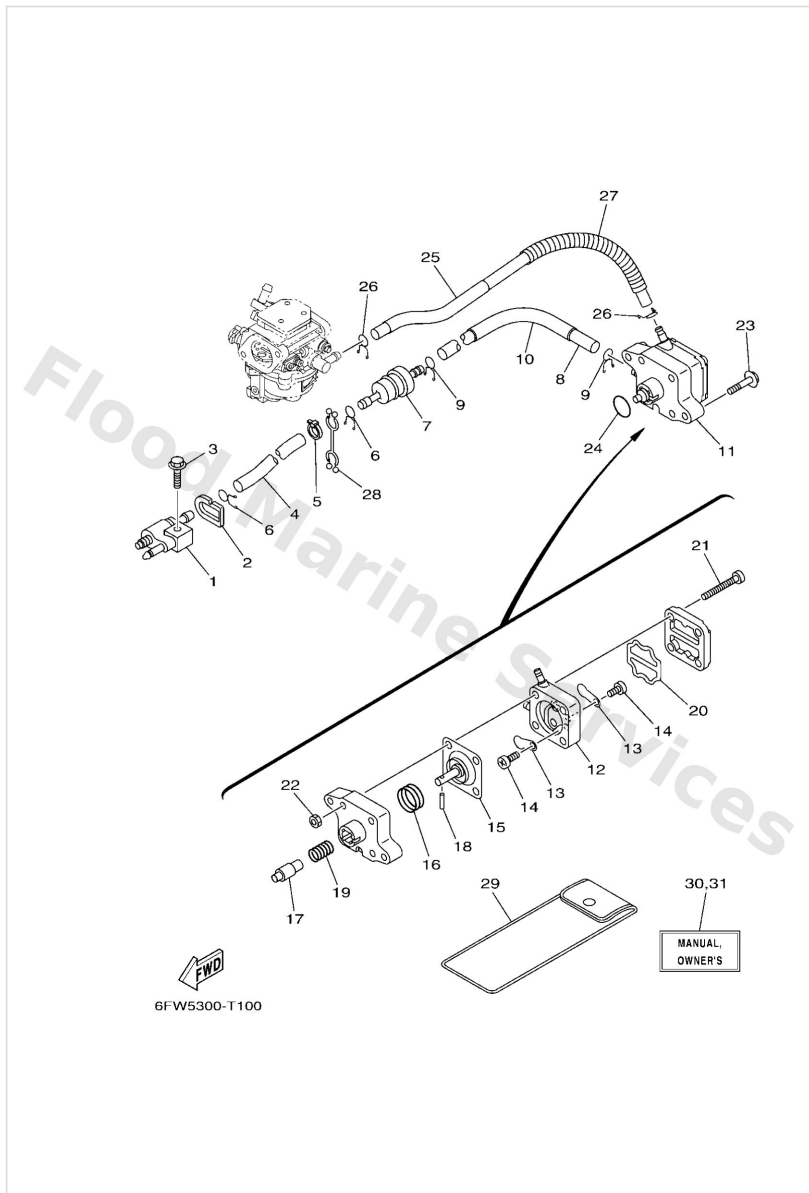
# Electrical



6FW3100-R130

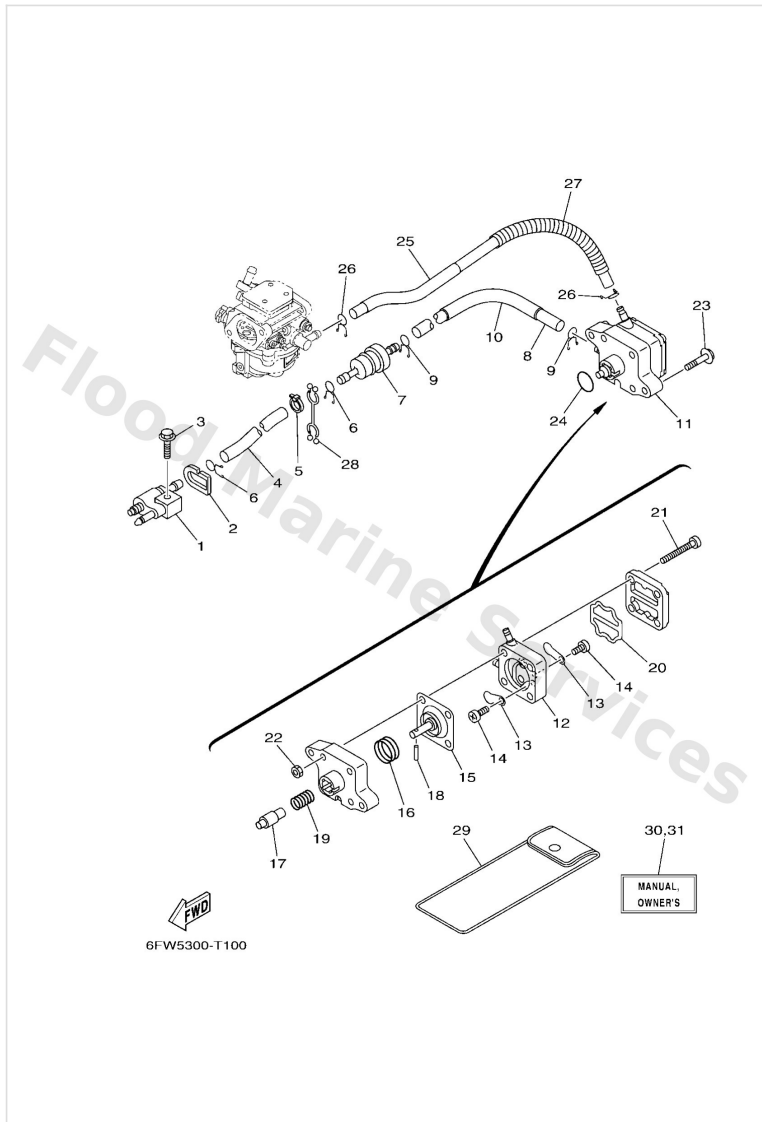
Ref	Part	
17	<a href="#">9046511M10</a> Clamp	<a href="#">Buy now</a>
18	<a href="#">68T8541000</a> Emergency signal light assembly	<a href="#">Buy now</a>

# Fuel



Ref	Part	
1	<a href="#">6G12430410</a> Fuel pipe joint comp. 1	<a href="#">Buy now</a>
2	<a href="#">61N2432901</a> Seal	<a href="#">Buy now</a>
3	<a href="#">97E9506525</a> Bolt, hexagon w/w deep recess	<a href="#">Buy now</a>
4	<a href="#">9044510046</a> Hose	<a href="#">Buy now</a>
5	<a href="#">9046511M10</a> Clamp	<a href="#">Buy now</a>
6	<a href="#">9046709M09</a> Clip(6k8)	<a href="#">Buy now</a>
7	<a href="#">68T2425101</a> Strainer 1	<a href="#">Buy now</a>
8	<a href="#">9044510M50</a> Hose (l400)	<a href="#">Buy now</a>
10	<a href="#">9044516010</a> Hose	<a href="#">Buy now</a>
11	<a href="#">68T2441002</a> Fuel pump assembly	<a href="#">Buy now</a>
12	<a href="#">66M2441301</a> Body 2	<a href="#">Buy now</a>
13	<a href="#">6A02442101</a> Valve, check	<a href="#">Buy now</a>
14	<a href="#">6E71432500</a> Screw, pan head	<a href="#">Buy now</a>
15	<a href="#">66M2441102</a> Diaphragm	<a href="#">Buy now</a>
16	<a href="#">66M2442300</a> Spring, diaphragm	<a href="#">Buy now</a>

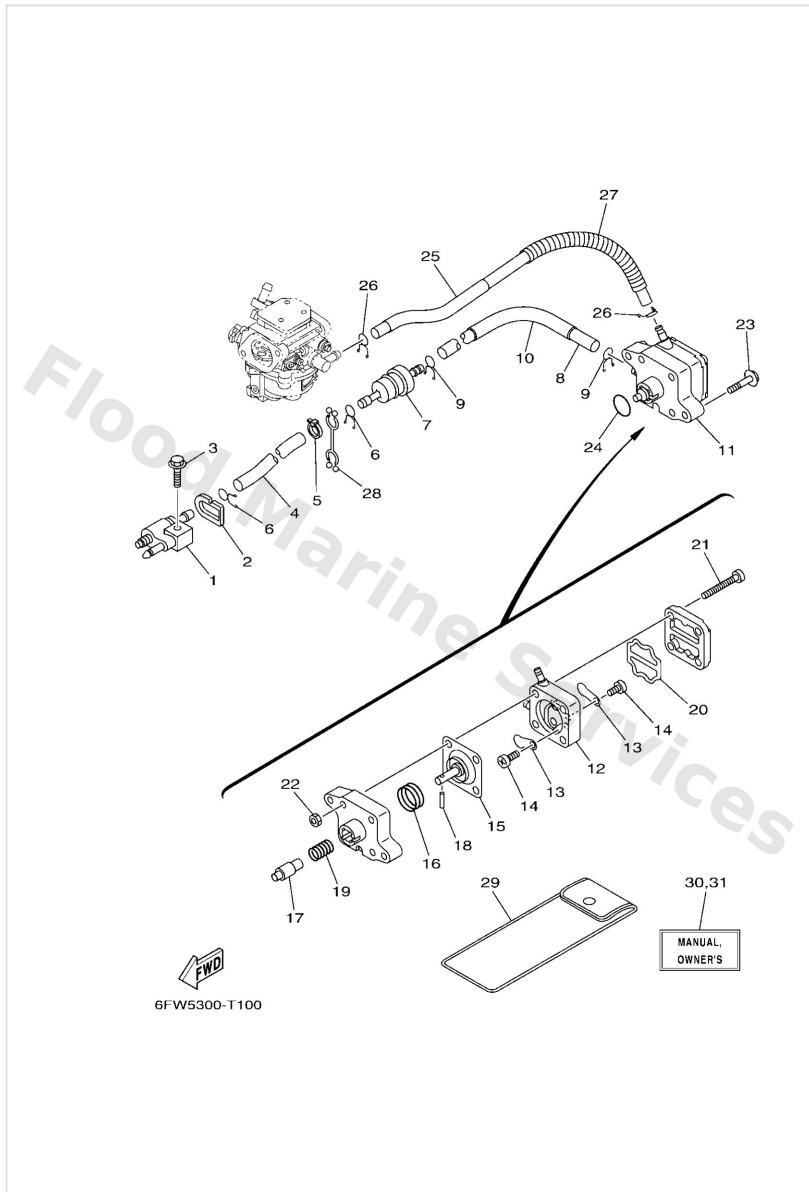
# Fuel



Ref	Part	
17	<a href="#">66M1313100</a> Plunger	<a href="#">Buy now</a>
18	<a href="#">66M2437400</a> Pin	<a href="#">Buy now</a>
19	<a href="#">66M2445400</a> Spring	<a href="#">Buy now</a>
20	<a href="#">66M2447102</a> Diaphragm	<a href="#">Buy now</a>
21	<a href="#">66M2444400</a> Screw	<a href="#">Buy now</a>
22	<a href="#">9538004600</a> Nut,hex	<a href="#">Buy now</a>
23	<a href="#">97E9506630</a> Bolt, hexagon w/w deep recess	<a href="#">Buy now</a>
24	<a href="#">9321020M65</a> O-ring	<a href="#">Buy now</a>
25	<a href="#">6AU2431100</a> Pipe, fuel 1	<a href="#">Buy now</a>
27	<a href="#">9044713014</a> Tube	<a href="#">Buy now</a>
28	<a href="#">9046410M53</a> Clamp	<a href="#">Buy now</a>
29	<a href="#">68T2810002</a> Tool kit AP	<a href="#">Buy now</a>
30	<a href="#">6FW2819976D0</a> Manual,owner's UR (NL)	<a href="#">Buy now</a>
30	<a href="#">6FW2819976E0</a> Manual,owner's UR (E)	<a href="#">Buy now</a>
30	<a href="#">6FW2819976F0</a> Manual,owner's UR (F)	<a href="#">Buy now</a>

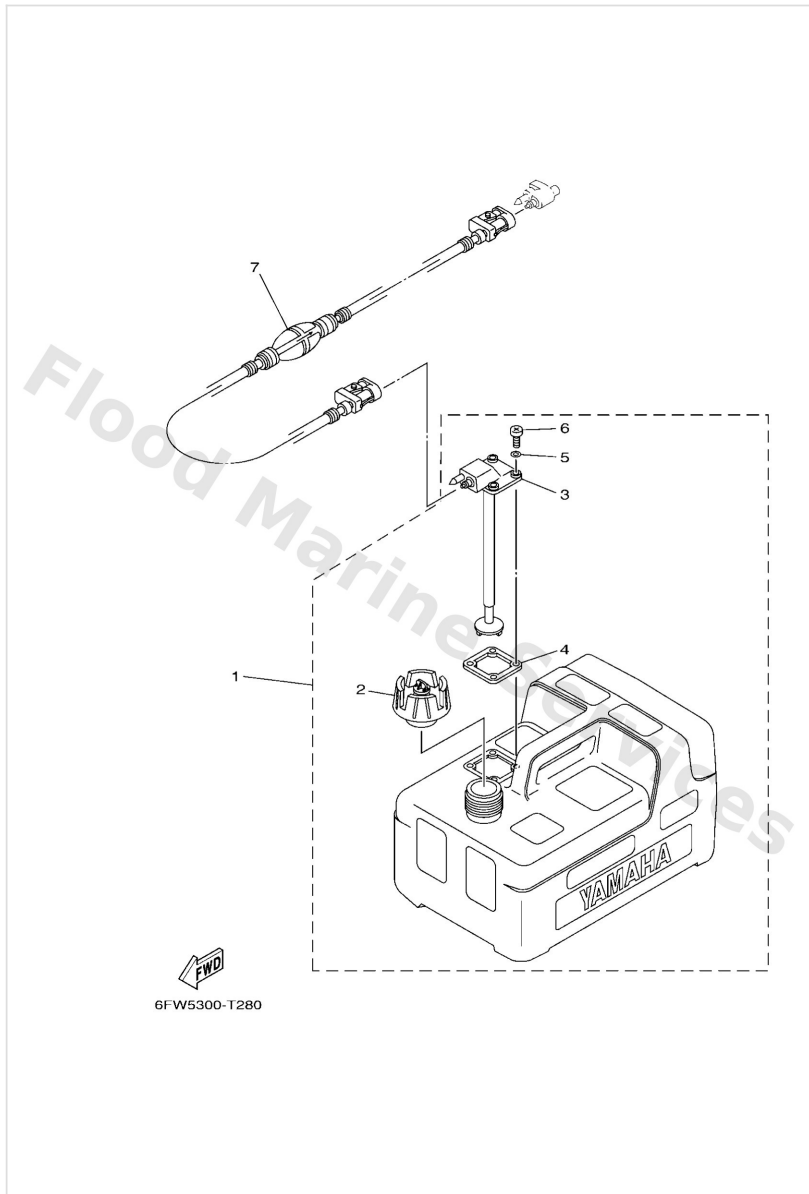


# Fuel



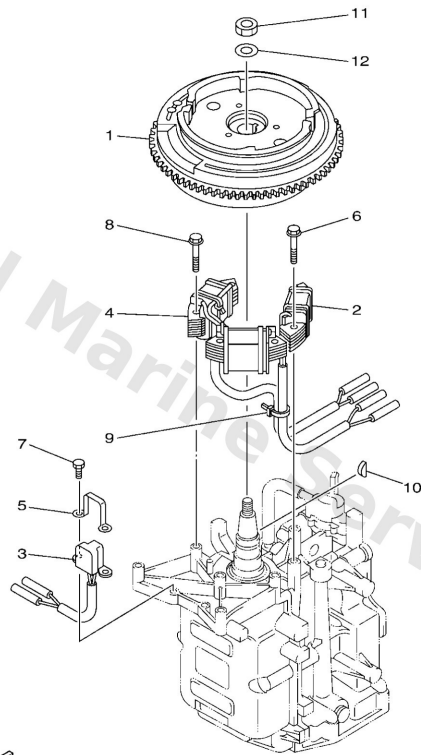
Ref	Part	
30	<a href="#">6FW2819976G0</a> Manual,owner's UR (D)	<a href="#">Buy now</a>
30	<a href="#">6FW2819976H0</a> Manual,owner's UR (I)	<a href="#">Buy now</a>
30	<a href="#">6FW2819976S0</a> Manual,owner's UR (ES)	<a href="#">Buy now</a>
31	<a href="#">6FW2819986K0</a> Manual,owner's UR (DK)	<a href="#">Buy now</a>
31	<a href="#">6FW2819986L0</a> Manual,owner's UR (SF)	<a href="#">Buy now</a>
31	<a href="#">6FW2819986M0</a> Manual,owner's UR (S)	<a href="#">Buy now</a>
31	<a href="#">6FW2819986N0</a> Manual,owner's UR (N)	<a href="#">Buy now</a>
31	<a href="#">6FW2819986P0</a> Manual,owner's UR (P)	<a href="#">Buy now</a>
31	<a href="#">6FW2819986R0</a> Manual,owner's UR (GR)	<a href="#">Buy now</a>

# Fuel Tank



Ref	Part	
1	<a href="#">6YL2420107</a> Fuel tank assembly (12l) AP	<a href="#">Buy now</a>
2	<a href="#">6YK2461010</a> Cap assembly WITHOUT INDICATOR	<a href="#">Buy now</a>
3	<a href="#">6YL2426010</a> Fuel meter assembly	<a href="#">Buy now</a>
4	<a href="#">6YL2426801</a> Gasket, fuel meter	<a href="#">Buy now</a>
5	<a href="#">6YL2432900</a> Seal	<a href="#">Buy now</a>
6	<a href="#">9015705M16</a> Screw, pan head	<a href="#">Buy now</a>
7	<a href="#">6YL2430654</a> Fuel pipe comp. 1 AP	<a href="#">Buy now</a>

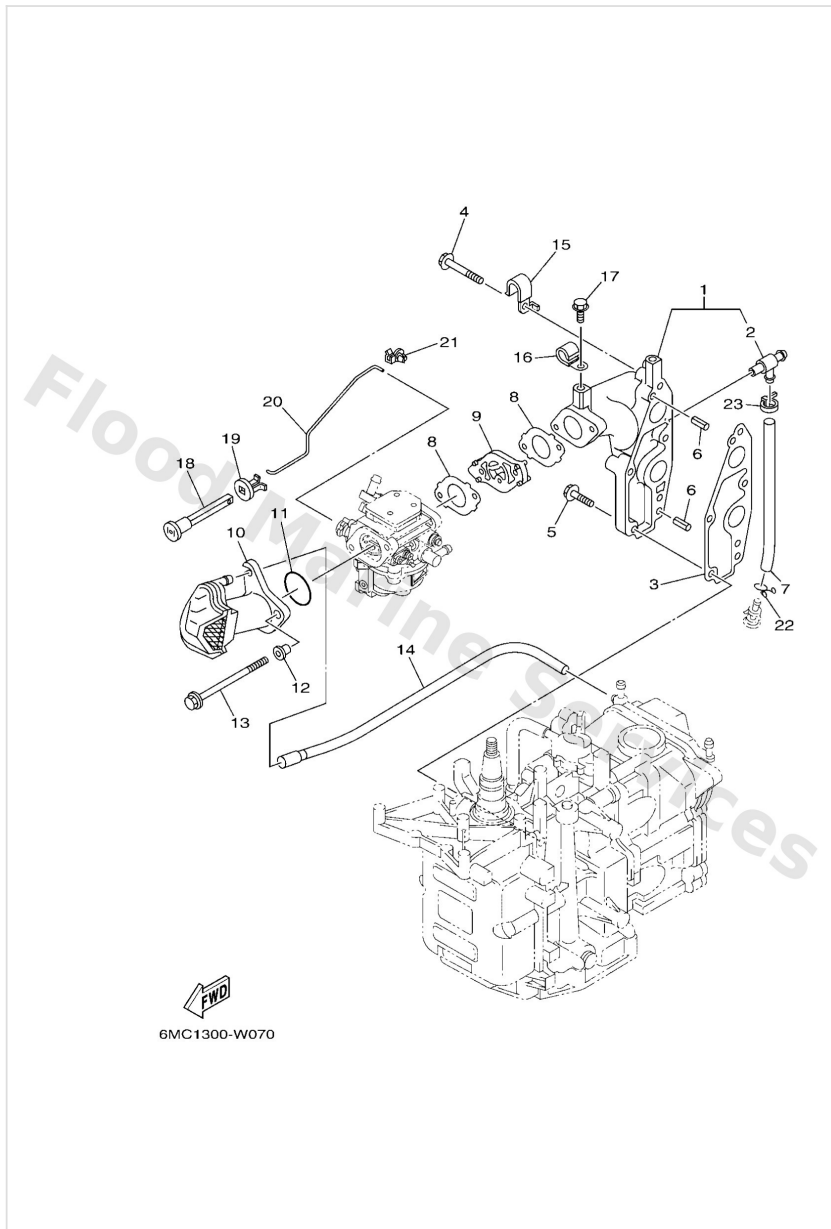
# Generator



  
6AV1010-G110

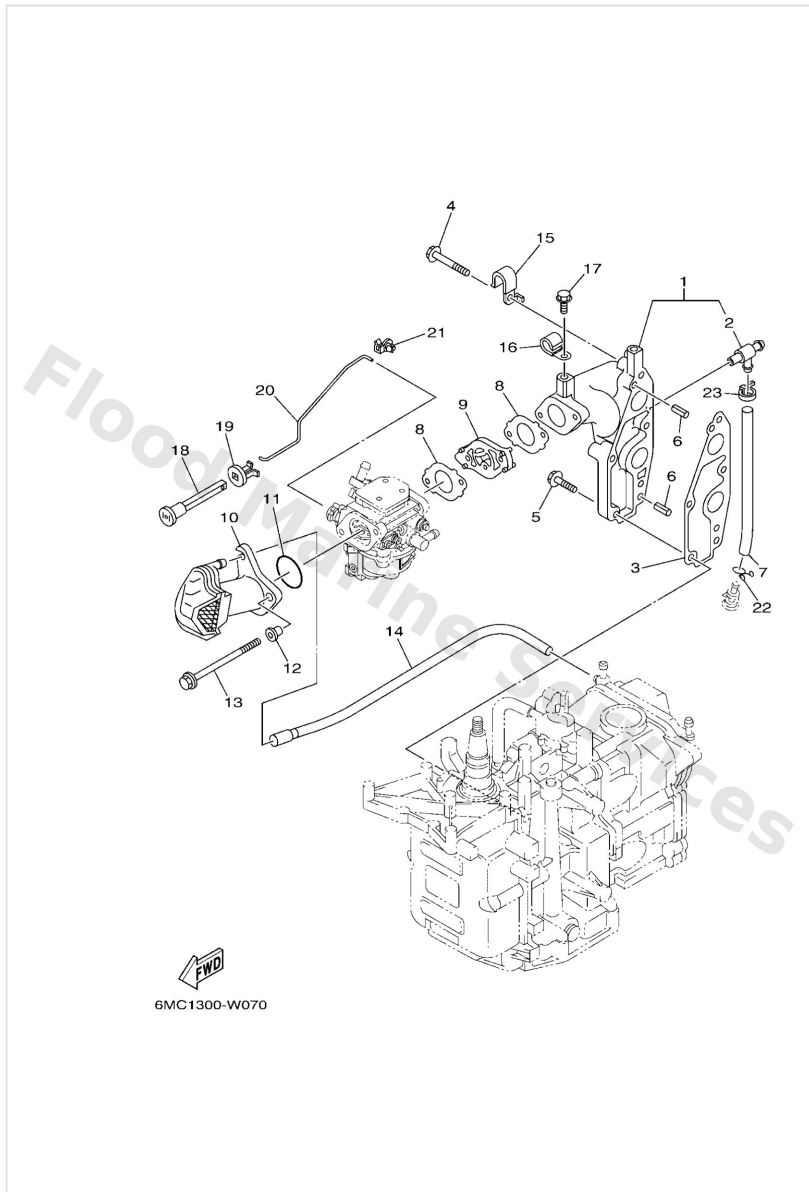
Ref	Part	
1	<a href="#">6DR8555010</a> Rotor assembly	<a href="#">Buy now</a>
2	<a href="#">68T8552000</a> Coil, charge	<a href="#">Buy now</a>
3	<a href="#">68T8558001</a> Coil, pulser	<a href="#">Buy now</a>
4	<a href="#">68T8553310</a> Coil, lighting	<a href="#">Buy now</a>
5	<a href="#">6H28558200</a> Attachment, pulser	<a href="#">Buy now</a>
6	<a href="#">9011906014</a> Bolt, with washer(61b)	<a href="#">Buy now</a>
7	<a href="#">9709505010</a> Bolt (682)	<a href="#">Buy now</a>
8	<a href="#">9011906MA1</a> Bolt, with washer(63m)	<a href="#">Buy now</a>
9	<a href="#">9046511M10</a> Clamp	<a href="#">Buy now</a>
10	<a href="#">9028004M06</a> Key, woodruff(6a1)	<a href="#">Buy now</a>
11	<a href="#">9017012066</a> Nut, hexagon 6481155500	<a href="#">Buy now</a>
12	<a href="#">9020112472</a> Washer, plate (4n0)	<a href="#">Buy now</a>

# Intake



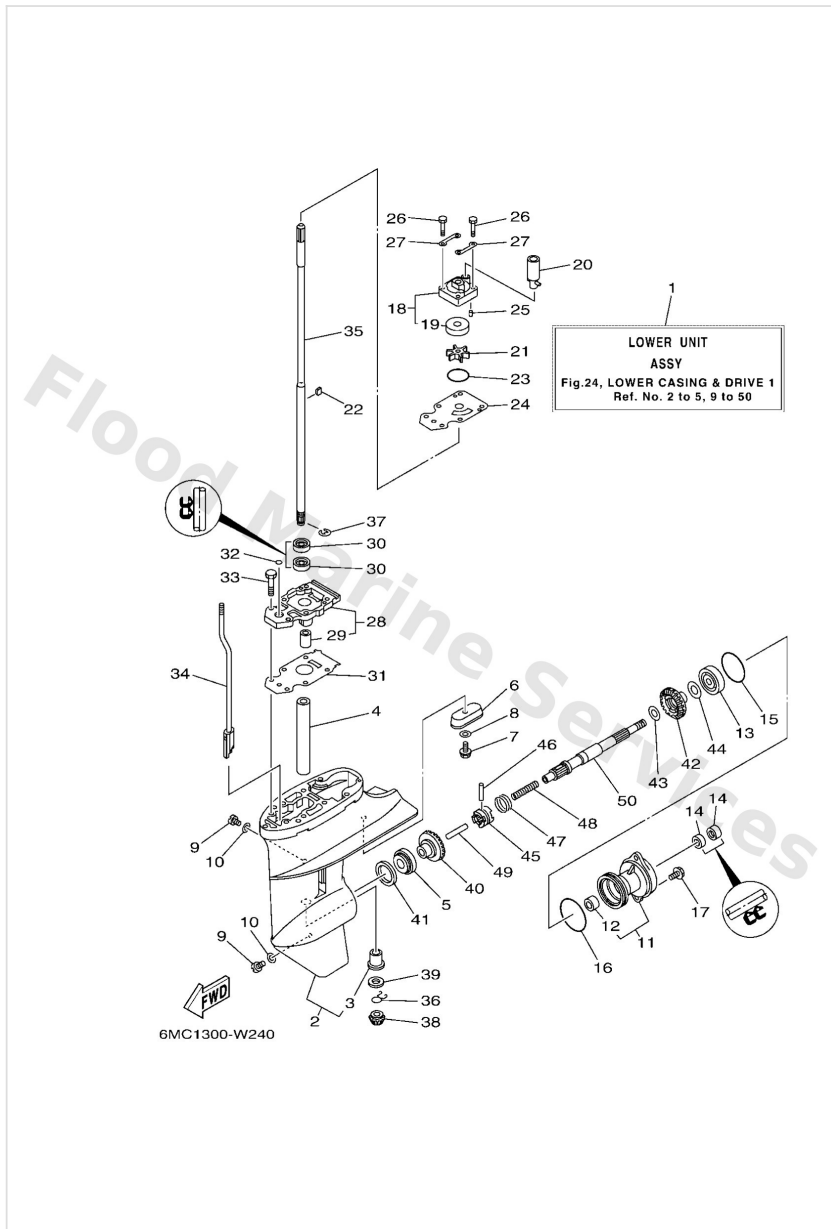
Ref	Part	
1	<a href="#">68T13641201S</a> Manifold 1 FLUSHING KIT	<a href="#">Buy now</a>
2	<a href="#">67F1248200</a> Pipe 2	<a href="#">Buy now</a>
3	<a href="#">68T1364500</a> Gasket, manifold 1	<a href="#">Buy now</a>
4	<a href="#">9011906MA5</a> Bolt, with washer	<a href="#">Buy now</a>
5	<a href="#">9011906MA3</a> Bolt, with washer	<a href="#">Buy now</a>
6	<a href="#">9169050014</a> Pin, spring (647)	<a href="#">Buy now</a>
7	<a href="#">9044509M20</a> Hose (L95) FLUSHING KIT	<a href="#">Buy now</a>
8	<a href="#">68T13646A0</a> Gasket, manifold 2	<a href="#">Buy now</a>
9	<a href="#">6MC1427100</a> Insulator	<a href="#">Buy now</a>
10	<a href="#">6AU1444000</a> Silencer assembly, intake	<a href="#">Buy now</a>
11	<a href="#">9321031MJ5</a> O-ring	<a href="#">Buy now</a>
12	<a href="#">9038706M70</a> Collar (6h5)	<a href="#">Buy now</a>
13	<a href="#">9010506188</a> Bolt, flange	<a href="#">Buy now</a>
14	<a href="#">68T1248300</a> Pipe 3	<a href="#">Buy now</a>
15	<a href="#">9046508M99</a> Clamp	<a href="#">Buy now</a>

# Intake



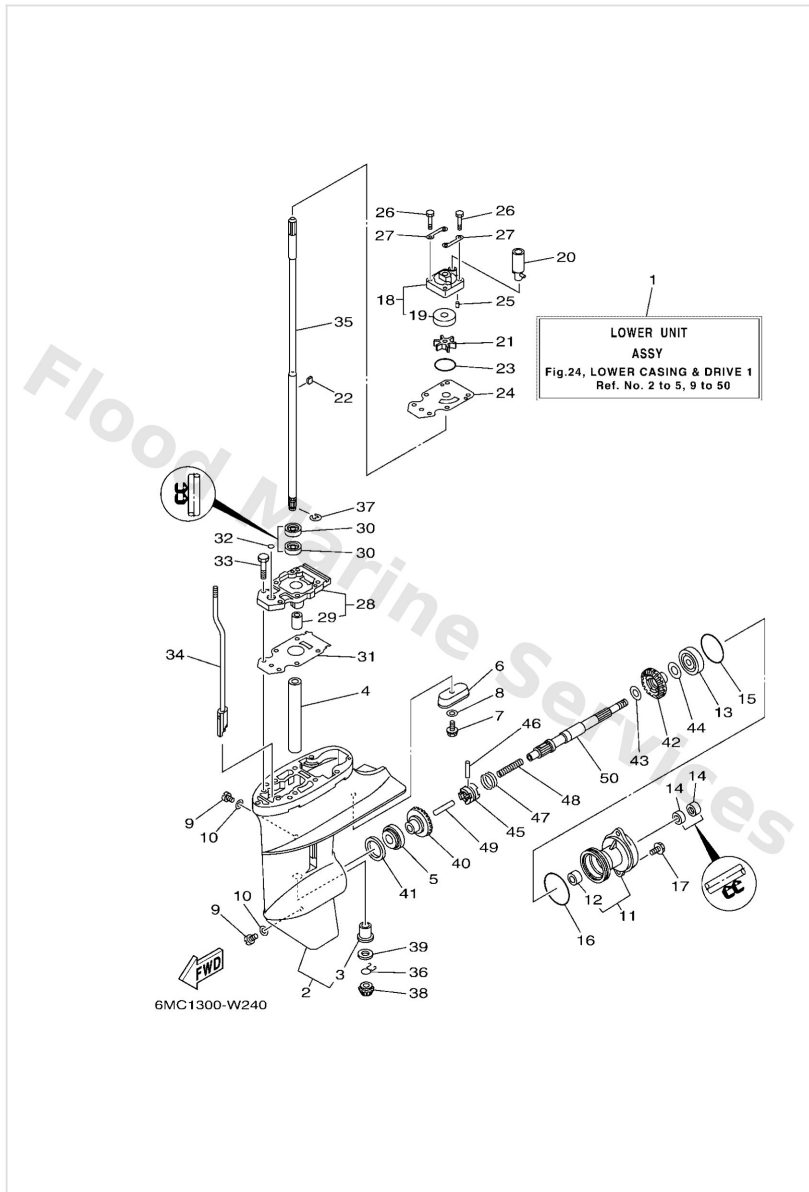
Ref	Part	
16	<a href="#">9046508M83</a> Clamp FLUSHING KIT	<a href="#">Buy now</a>
17	<a href="#">97E9506510</a> Bolt, hexagon w/w deep recess FLUSHING KIT	<a href="#">Buy now</a>
18	<a href="#">6H44127102</a> Knob, choke	<a href="#">Buy now</a>
19	<a href="#">6894127300</a> Grommet	<a href="#">Buy now</a>
20	<a href="#">68T4125600</a> Rod, choke 1	<a href="#">Buy now</a>
21	<a href="#">6J84126200</a> Joint, choke lever	<a href="#">Buy now</a>
22	<a href="#">9046708M18</a> Clip	<a href="#">Buy now</a>
23	<a href="#">9046511M10</a> Clamp	<a href="#">Buy now</a>

# Lower Casing & Drive 1



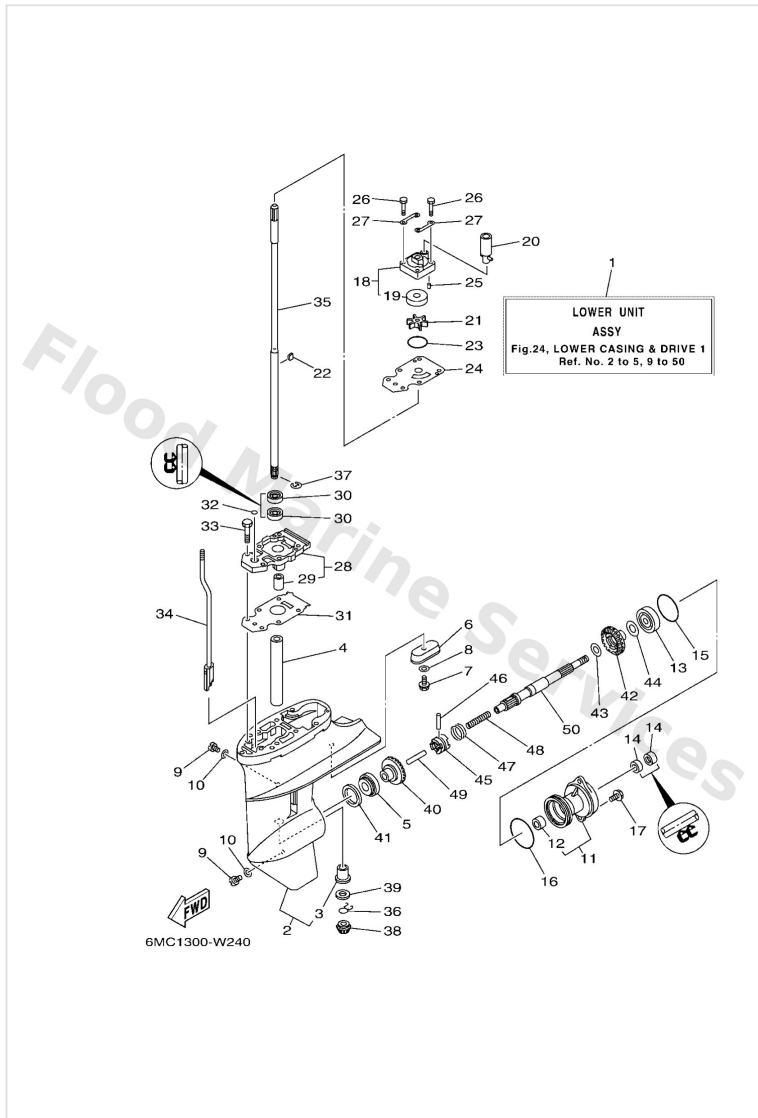
Ref	Part	
1	<a href="#">6AU45300028D</a> Lower unit assembly S(17.0")	<a href="#">Buy now</a>
1	<a href="#">6AU45300128D</a> Lower unit assembly L(22.0")	<a href="#">Buy now</a>
2	<a href="#">6AU45311018D</a> Casing, lower	<a href="#">Buy now</a>
3	<a href="#">6G14531709</a> Bushing, drive shaft 2	<a href="#">Buy now</a>
4	<a href="#">9038714M49</a> Collar (6g1)	<a href="#">Buy now</a>
5	<a href="#">93306004U0</a> Bearing (7k2)	<a href="#">Buy now</a>
6	<a href="#">68T4525100</a> Anode	<a href="#">Buy now</a>
7	<a href="#">95D9506016</a> Bolt, flange deep recess	<a href="#">Buy now</a>
8	<a href="#">9299006300</a> Washer, tooth	<a href="#">Buy now</a>
9	<a href="#">9034008002</a> Plug, straight screw	<a href="#">Buy now</a>
10	<a href="#">9043008003</a> Gasket	<a href="#">Buy now</a>
11	<a href="#">6G145361018D</a> Cap, lower casing	<a href="#">Buy now</a>
12	<a href="#">6G14536209</a> Bushing, lower casing cap	<a href="#">Buy now</a>
14	<a href="#">9310115074</a> Oil seal (655)	<a href="#">Buy now</a>
15	<a href="#">9321049046</a> O-ring (620)	<a href="#">Buy now</a>

# Lower Casing & Drive 1



Ref	Part	
16	<a href="#">9321053M08</a> O-ring(50m)	<a href="#">Buy now</a>
17	<a href="#">97E9506516</a> Bolt, hexagon w/w deep recess	<a href="#">Buy now</a>
18	<a href="#">63V4430100</a> Water pump housing comp.	<a href="#">Buy now</a>
19	<a href="#">63V4432200</a> Insert, cartridge	<a href="#">Buy now</a>
20	<a href="#">68T4436601</a> Damper, water seal 2	<a href="#">Buy now</a>
21	<a href="#">68T4435200</a> Impeller	<a href="#">Buy now</a>
22	<a href="#">6644433800</a> Key, woodruff	<a href="#">Buy now</a>
23	<a href="#">9321044398</a> O-ring(55x)	<a href="#">Buy now</a>
24	<a href="#">68T4432300</a> Outer plate, cartridge	<a href="#">Buy now</a>
25	<a href="#">9360412M07</a> Pin, dowel (688)	<a href="#">Buy now</a>
26	<a href="#">97D9508045</a> Bolt, hexagon deep recess	<a href="#">Buy now</a>
27	<a href="#">63V4432801</a> Plate	<a href="#">Buy now</a>
28	<a href="#">68T4533100CA</a> Housing, bearing	<a href="#">Buy now</a>
29	<a href="#">6G14531609</a> Bushing, drive shaft 1	<a href="#">Buy now</a>
30	<a href="#">9310111M23</a> Oil seal (6g1)	<a href="#">Buy now</a>

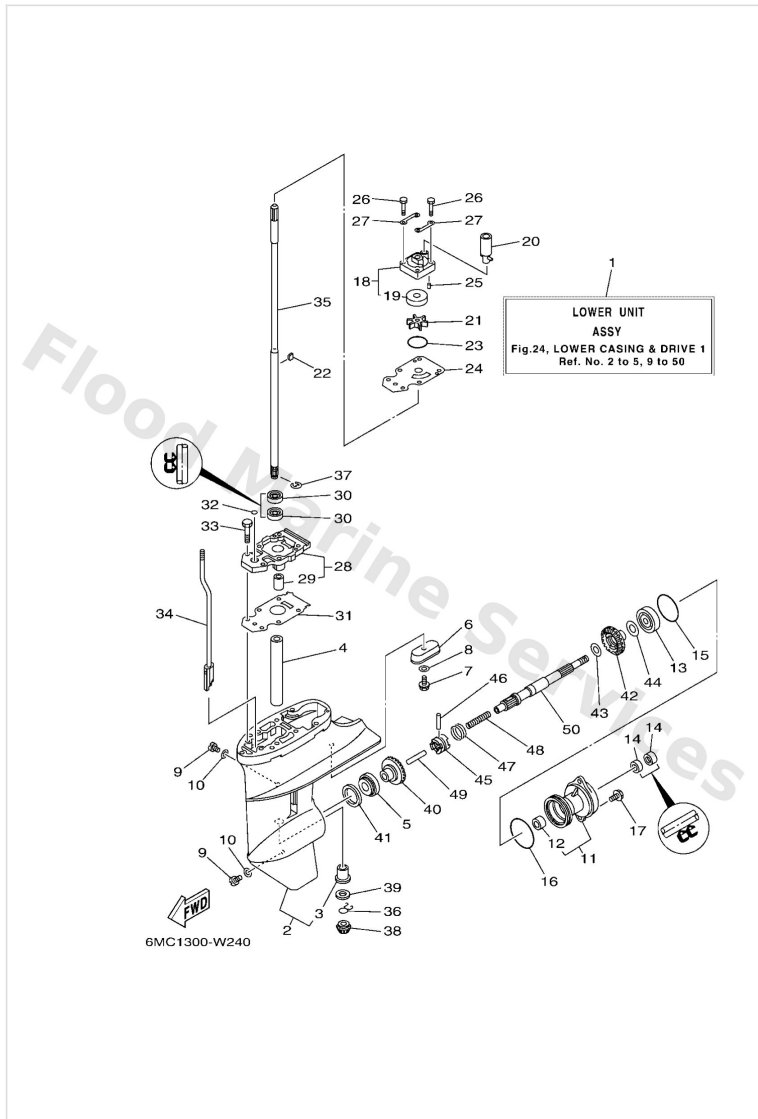
# Lower Casing & Drive 1



Ref	Part	
31	<a href="#">68T45315A0</a> Packing, lower casing	<a href="#">Buy now</a>
32	<a href="#">9321006ME6</a> O-ring	<a href="#">Buy now</a>
33	<a href="#">9708008025</a> Screw, bind(j36)	<a href="#">Buy now</a>
34	<a href="#">68T4415000</a> Shift cam assembly	<a href="#">Buy now</a>
35	<a href="#">6AU4551100</a> Shaft, drive S(17.0")	<a href="#">Buy now</a>
35	<a href="#">6AU4551110</a> Shaft, drive L(22.0")	<a href="#">Buy now</a>
36	<a href="#">9046709M05</a> Clip (6g1)	<a href="#">Buy now</a>
37	<a href="#">9900107600</a> Circlip(6I2)	<a href="#">Buy now</a>
38	<a href="#">68T4555100</a> Pinion	<a href="#">Buy now</a>
39	<a href="#">6G14553300</a> Shim (t:1.9mm) UR	<a href="#">Buy now</a>
39	<a href="#">6G14553310</a> Shim (t:2.0mm) UR	<a href="#">Buy now</a>
39	<a href="#">6G14553320</a> Shim (t:2.1mm) UR	<a href="#">Buy now</a>
39	<a href="#">6G14553330</a> Shim (t:2.2mm) UR	<a href="#">Buy now</a>
40	<a href="#">68T4556000</a> Gear	<a href="#">Buy now</a>
41	<a href="#">6644558701</a> Shim (t:0.10mm) UR	<a href="#">Buy now</a>

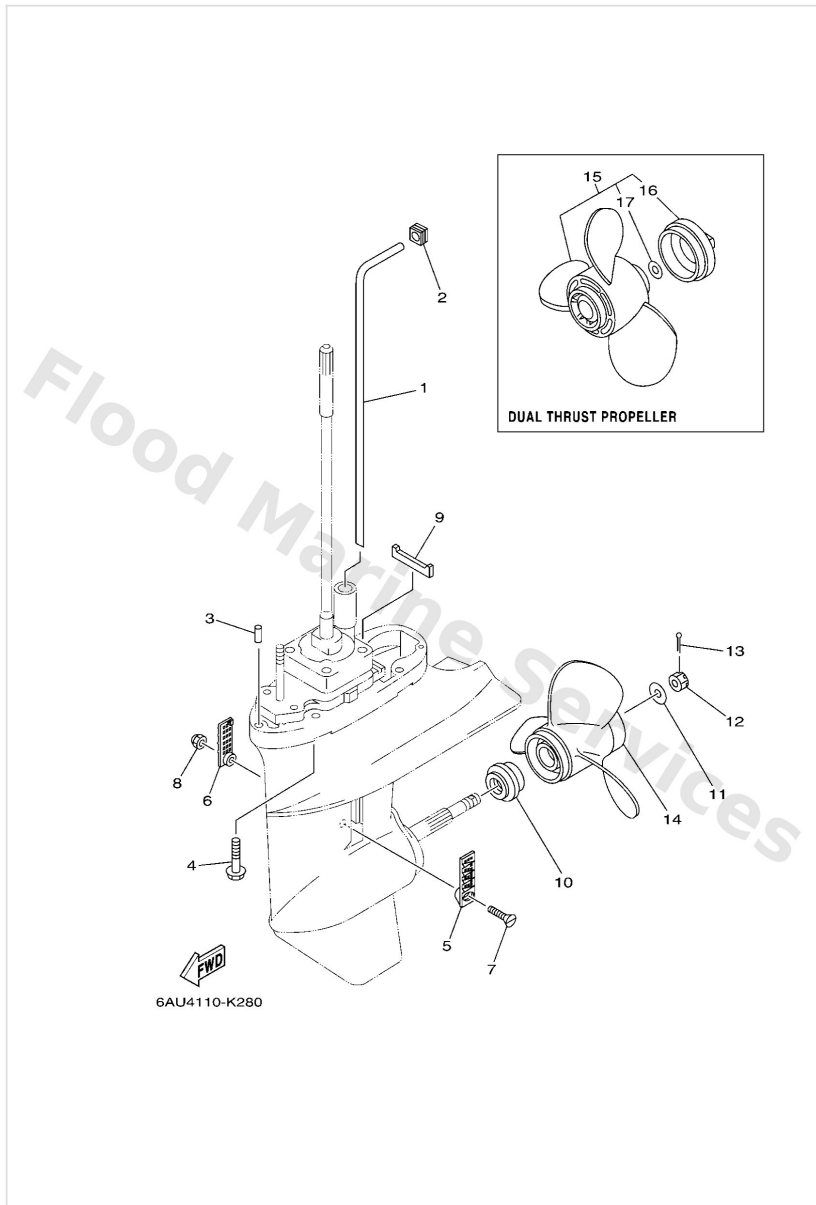


# Lower Casing & Drive 1



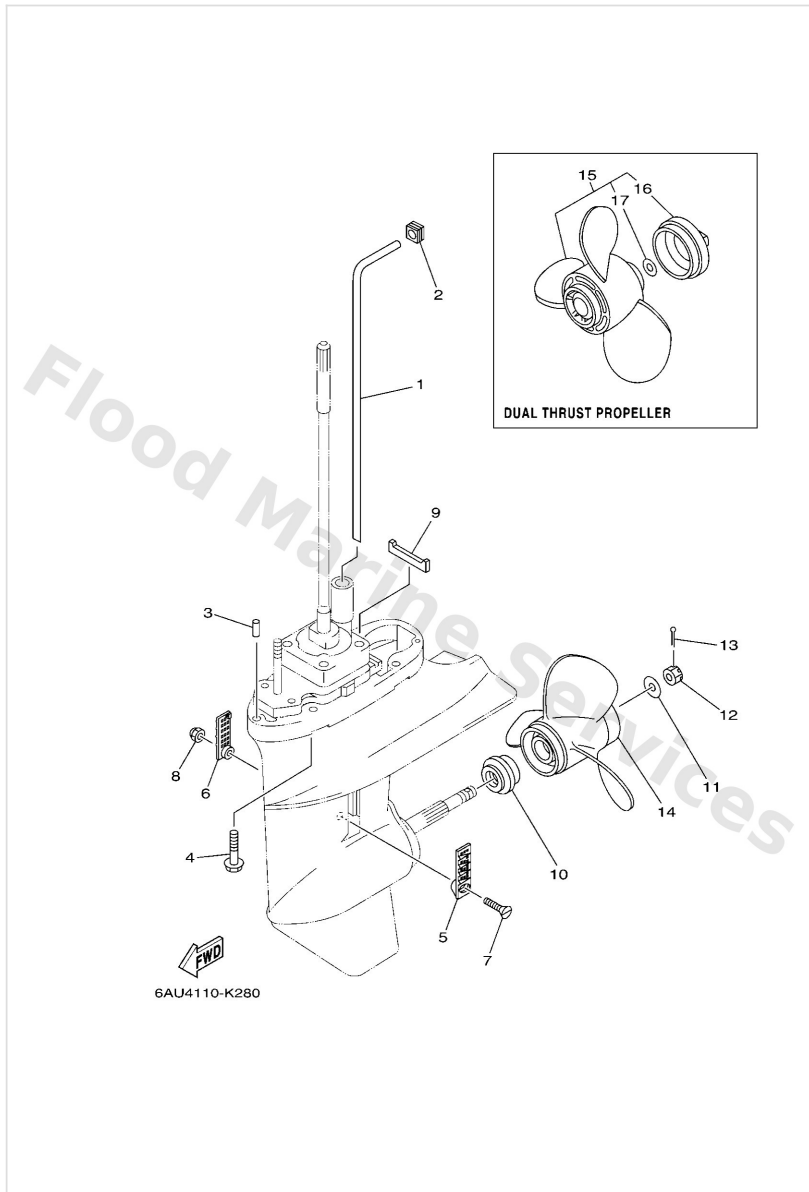
Ref	Part	
41	<a href="#">6644558710</a> Shim (t:0.12mm) UR	<a href="#">Buy now</a>
41	<a href="#">6644558720</a> Shim (t:0.15mm) UR	<a href="#">Buy now</a>
41	<a href="#">6644558730</a> Shim (t:0.18mm) UR	<a href="#">Buy now</a>
41	<a href="#">6644558740</a> Shim (t:0.30mm) UR	<a href="#">Buy now</a>
41	<a href="#">6644558750</a> Shim (t:0.40mm) UR	<a href="#">Buy now</a>
41	<a href="#">6644558760</a> Shim (t:0.50mm) UR	<a href="#">Buy now</a>
42	<a href="#">68T4557100</a> Gear	<a href="#">Buy now</a>
43	<a href="#">9020115M89</a> Washer, plate (6g1)	<a href="#">Buy now</a>
44	<a href="#">6474556700</a> Shim, gear adjust UN	<a href="#">Buy now</a>
45	<a href="#">68T4563100</a> Clutch, dog	<a href="#">Buy now</a>
46	<a href="#">6G14563200</a> Cross, pin	<a href="#">Buy now</a>
47	<a href="#">6544563300</a> Ring, cross pin	<a href="#">Buy now</a>
48	<a href="#">90501140A1</a> Spring, compression	<a href="#">Buy now</a>
49	<a href="#">6G14563500</a> Plunger, shift	<a href="#">Buy now</a>
50	<a href="#">68T4561100</a> Shaft, propeller	<a href="#">Buy now</a>

## Lower Casing & Drive 2



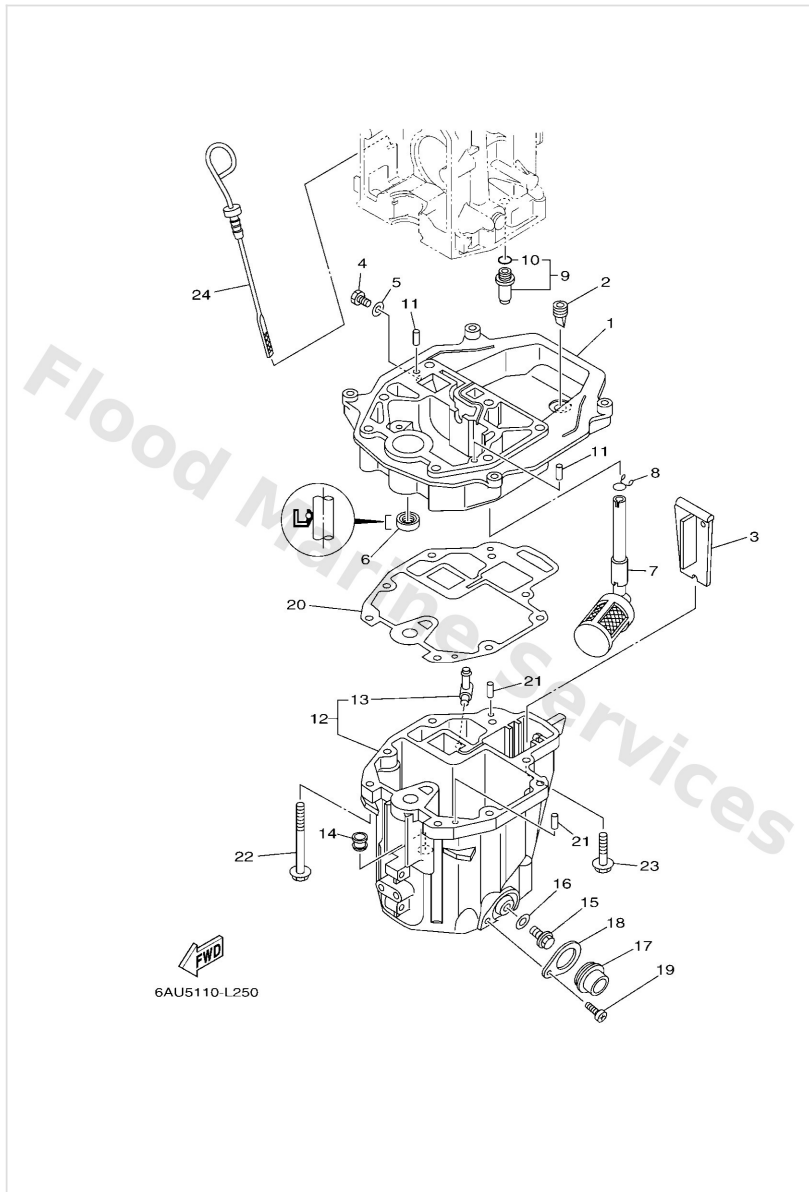
Ref	Part	
1	<a href="#">68T4436100</a> Tube, water 1 S(17.0")	<a href="#">Buy now</a>
1	<a href="#">68T4436110</a> Tube, water 1 L(22.0")	<a href="#">Buy now</a>
2	<a href="#">63V4436511</a> Damper, water seal 1	<a href="#">Buy now</a>
3	<a href="#">9360412M07</a> Pin, dowel (688)	<a href="#">Buy now</a>
4	<a href="#">97E7508535</a> Bolt, hexagon w/w deep recess	<a href="#">Buy now</a>
5	<a href="#">6G14521400</a> Cover, water inlet	<a href="#">Buy now</a>
6	<a href="#">6G14521500</a> Cover, water inlet	<a href="#">Buy now</a>
7	<a href="#">9015205M03</a> Screw, countersunk	<a href="#">Buy now</a>
8	<a href="#">9018505002</a> Nut nylon (sus)(ex4)	<a href="#">Buy now</a>
9	<a href="#">63V4537500</a> Damper, seal	<a href="#">Buy now</a>
10	<a href="#">6G14598702</a> Spacer	<a href="#">Buy now</a>
11	<a href="#">9020110M01</a> Washer, plate(6m7)	<a href="#">Buy now</a>
12	<a href="#">9017110M01</a> Nut castle (683)	<a href="#">Buy now</a>
13	<a href="#">9149030025</a> Pin cotter	<a href="#">Buy now</a>
14	<a href="#">6G14594100</a> Propeller (3x8-1/2"x8-1/2"-n) UR	<a href="#">Buy now</a>

## Lower Casing & Drive 2



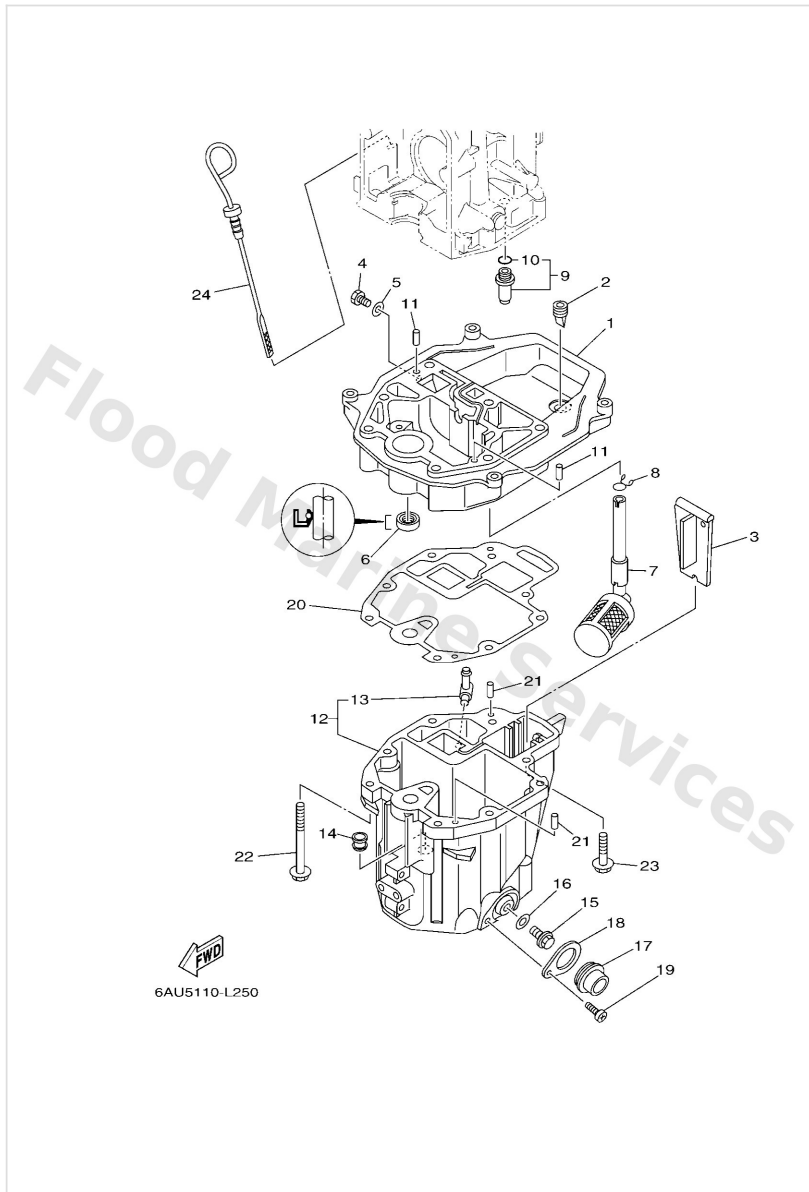
Ref	Part	
14	<a href="#">6G14594300</a> Propeller (3x8-1/2 x7-1/2 -n) UR	<a href="#">Buy now</a>
14	<a href="#">6G14594700</a> Propeller (3x8-1/2"x6-1/2"-n) UR	<a href="#">Buy now</a>
14	<a href="#">6G14595200</a> Propeller (3x8-1/2 x8 -n) UR	<a href="#">Buy now</a>
14	<a href="#">6G14595400</a> Propeller (3x8-1/2 x9-1/4 -n) UR	<a href="#">Buy now</a>
15	<a href="#">6G1W459101</a> Propeller (3x9 x7 -n) UR	<a href="#">Buy now</a>
15	<a href="#">6G1W459200</a> Propeller (3x9 x5 -n) UR	<a href="#">Buy now</a>
16	<a href="#">6G14561601</a> Nut, propeller	<a href="#">Buy now</a>
17	<a href="#">9020110M02</a> Washer, plate(6g9)	<a href="#">Buy now</a>

# Oil Pan



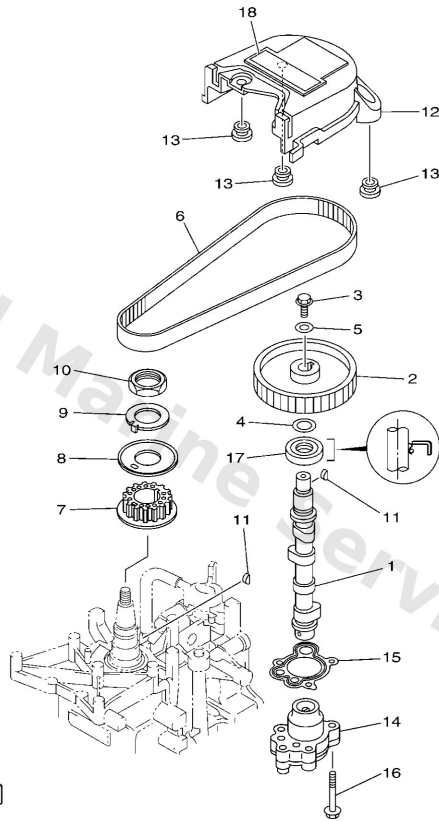
Ref	Part	
1	<a href="#">68T4113700CA</a> Guide, exhaust	<a href="#">Buy now</a>
2	<a href="#">65W4271700</a> Rubber, seal 2	<a href="#">Buy now</a>
3	<a href="#">68T4518100</a> Plate	<a href="#">Buy now</a>
4	<a href="#">97D9508014</a> Bolt, hexagon deep recess	<a href="#">Buy now</a>
5	<a href="#">9043008143</a> Gasket (256-11198-00)	<a href="#">Buy now</a>
6	<a href="#">9310112M70</a> Oil seal	<a href="#">Buy now</a>
7	<a href="#">68T1342101</a> Strainer 2	<a href="#">Buy now</a>
8	<a href="#">9046711M08</a> Clip(72x)	<a href="#">Buy now</a>
9	<a href="#">6G81157500</a> Relief valve ass'y	<a href="#">Buy now</a>
10	<a href="#">9321012M62</a> O-ring (6g8)	<a href="#">Buy now</a>
11	<a href="#">9360619M23</a> Pin, dowel	<a href="#">Buy now</a>
12	<a href="#">68T1531101CA</a> Oil pan	<a href="#">Buy now</a>
13	<a href="#">6H11137200</a> Nipple, hose	<a href="#">Buy now</a>
14	<a href="#">9048010M28</a> Grommet(6k7)	<a href="#">Buy now</a>
15	<a href="#">9034010M10</a> Plug, straight screw	<a href="#">Buy now</a>

# Oil Pan



Ref	Part	
16	<a href="#">9043010M11</a> Gasket	<a href="#">Buy now</a>
17	<a href="#">68T1531600</a> Damper, engine mount 1	<a href="#">Buy now</a>
18	<a href="#">68T1531700</a> Spacer, engine mount	<a href="#">Buy now</a>
19	<a href="#">9788505008</a> Screw, pan head	<a href="#">Buy now</a>
20	<a href="#">68T1347500</a> Gasket	<a href="#">Buy now</a>
21	<a href="#">9360412M07</a> Pin, dowel (688)	<a href="#">Buy now</a>
22	<a href="#">9011908201</a> Bolt, with washer	<a href="#">Buy now</a>
23	<a href="#">97E7508530</a> Bolt, hexagon w/w deep recess	<a href="#">Buy now</a>
24	<a href="#">68T1536200</a> Plug, oil level	<a href="#">Buy now</a>

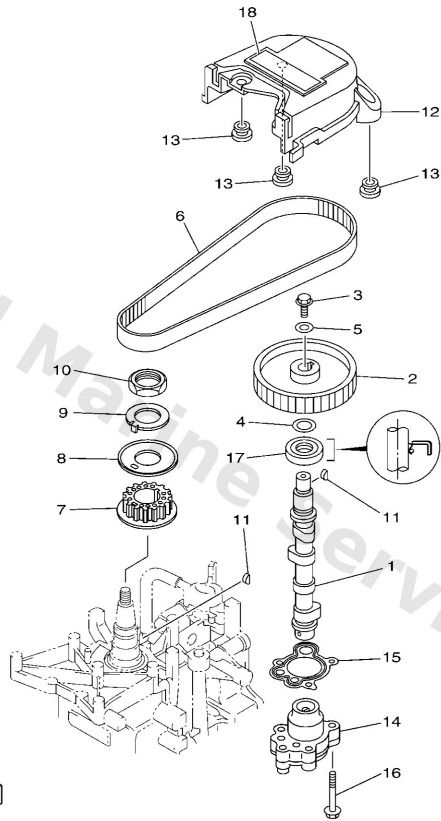
# Oil Pump



  
6DR4110-Q090

Ref	Part	
1	<a href="#">68T1217101</a> Camshaft 1	<a href="#">Buy now</a>
2	<a href="#">66M1153701</a> Gear, driven	<a href="#">Buy now</a>
3	<a href="#">9010506M14</a> Bolt (6e0)	<a href="#">Buy now</a>
4	<a href="#">9020113201</a> Washer 6474283300	<a href="#">Buy now</a>
5	<a href="#">9020106M94</a> Washer (6g8)	<a href="#">Buy now</a>
6	<a href="#">68T4624100</a> Belt	<a href="#">Buy now</a>
7	<a href="#">68T1153600</a> Gear, drive	<a href="#">Buy now</a>
8	<a href="#">68T1155700</a> Washer 1	<a href="#">Buy now</a>
9	<a href="#">6G81158701</a> Washer, lock	<a href="#">Buy now</a>
10	<a href="#">9017024M09</a> Nut (6g8)	<a href="#">Buy now</a>
11	<a href="#">9028003M01</a> Key woodruff 146115450000	<a href="#">Buy now</a>
12	<a href="#">6AU4629700</a> Cover, dust	<a href="#">Buy now</a>
13	<a href="#">9048010627</a> Grommet	<a href="#">Buy now</a>
14	<a href="#">68T1330000</a> Oil pump assembly	<a href="#">Buy now</a>
15	<a href="#">68T1332900</a> Gasket, pump cover	<a href="#">Buy now</a>

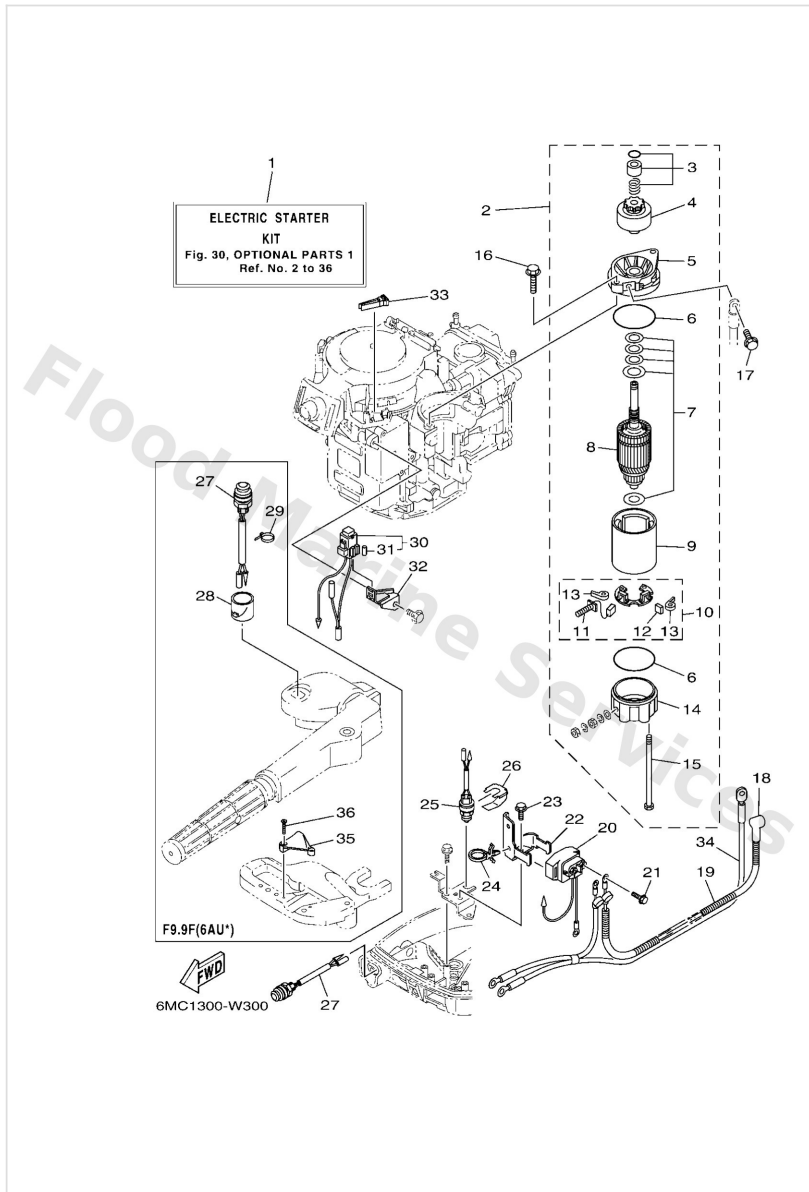
# Oil Pump



  
6DR4110-Q090

Ref	Part	
16	<a href="#">97E9506530</a> Bolt, hexagon w/w deep recess	<a href="#">Buy now</a>
17	<a href="#">9310218M21</a> Oil seal (6g8)	<a href="#">Buy now</a>
18	<a href="#">6AU1343761</a> Mark, caution	<a href="#">Buy now</a>

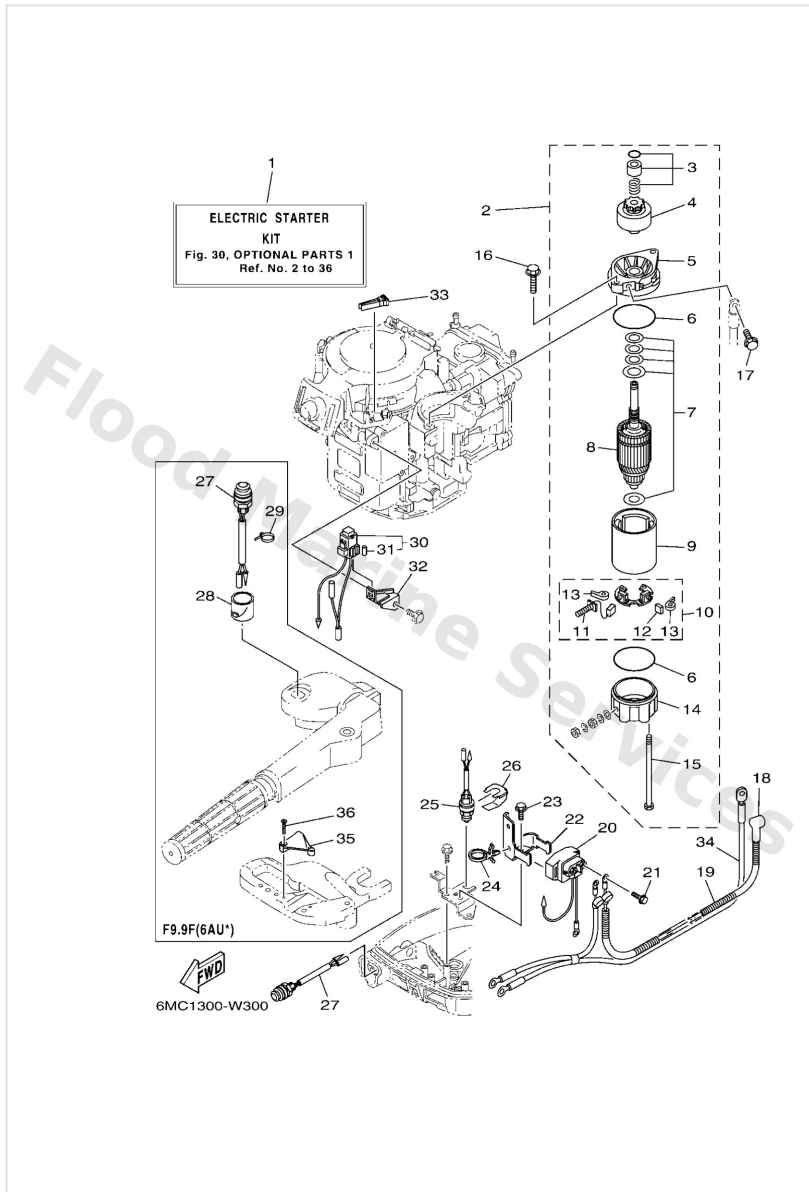
# Optional Parts 1



Ref	Part	
1	<a href="#">6MCW818000</a> Electric starter kit	<a href="#">Buy now</a>
2	<a href="#">68T8180000</a> Starting motor assembly	<a href="#">Buy now</a>
3	<a href="#">68T8185700</a> Pinion stopper set	<a href="#">Buy now</a>
4	<a href="#">6898180712</a> Pinion assembly	<a href="#">Buy now</a>
5	<a href="#">6F58183010</a> Front cover assembly	<a href="#">Buy now</a>
6	<a href="#">6898184711</a> O-ring	<a href="#">Buy now</a>
7	<a href="#">6898180911</a> Washer kit	<a href="#">Buy now</a>
8	<a href="#">6898185012</a> Armature assembly	<a href="#">Buy now</a>
9	<a href="#">6898181011</a> Stator ass'y	<a href="#">Buy now</a>
10	<a href="#">6898184011</a> Brush holder assembly	<a href="#">Buy now</a>
11	<a href="#">6898181111</a> Brush 1	<a href="#">Buy now</a>
12	<a href="#">6898181211</a> Brush 2	<a href="#">Buy now</a>
13	<a href="#">6898181310</a> Spring, brush	<a href="#">Buy now</a>
14	<a href="#">6898182011</a> Rear cover ass'y	<a href="#">Buy now</a>
15	<a href="#">6898182610</a> Bolt	<a href="#">Buy now</a>

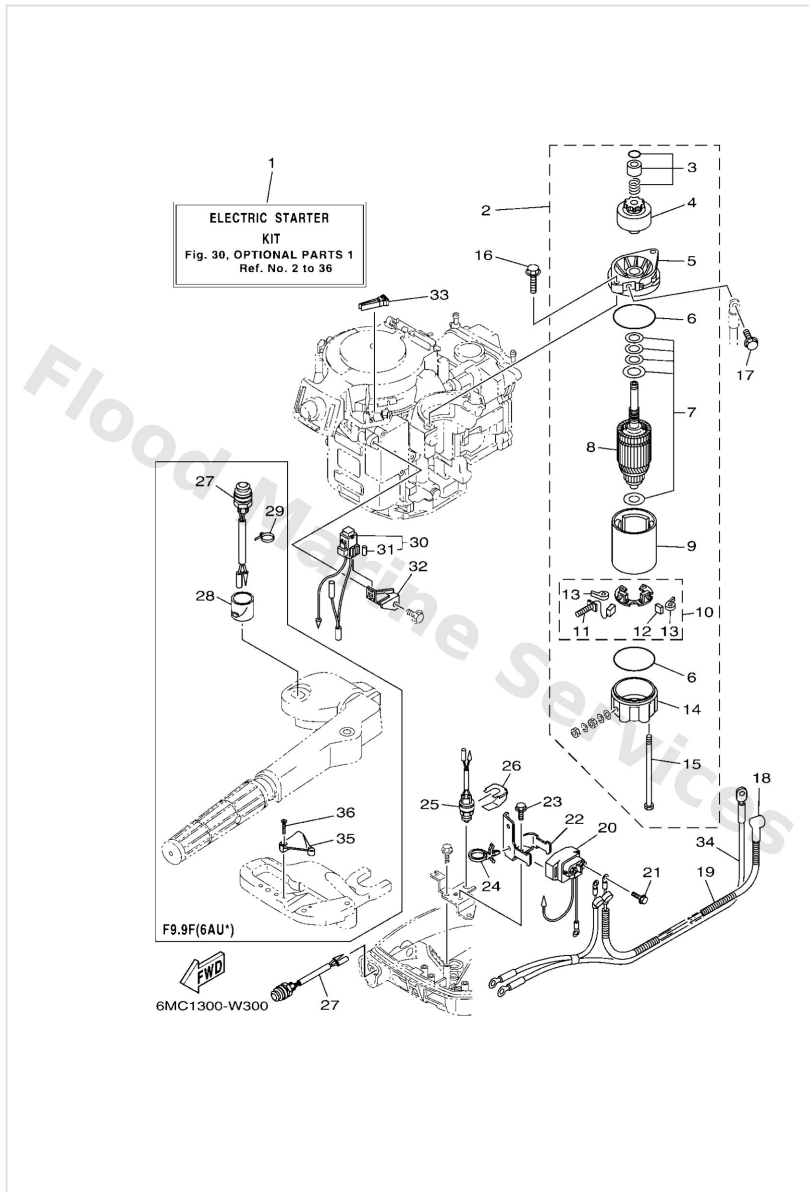


# Optional Parts 1



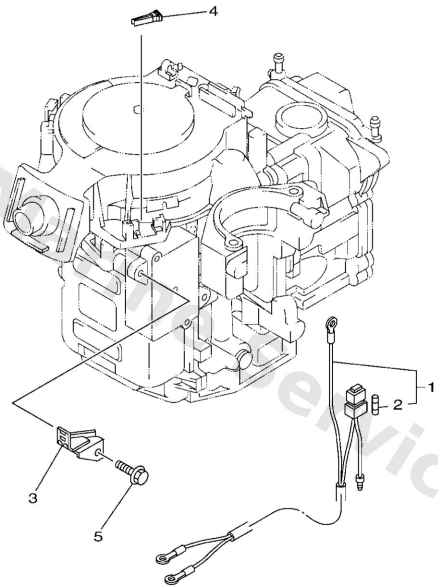
Ref	Part	
16	<a href="#">9011908M76</a> Bolt, with washer(6e5)	<a href="#">Buy now</a>
17	<a href="#">97E9508516</a> Bolt, hexagon w/w deep recess	<a href="#">Buy now</a>
18	<a href="#">6G88211701</a> Wire, lead	<a href="#">Buy now</a>
19	<a href="#">9044610M86</a> Hose	<a href="#">Buy now</a>
20	<a href="#">68T8194000</a> Starter relay assembly	<a href="#">Buy now</a>
21	<a href="#">97E9506610</a> Bolt, hexagon w/w deep recess	<a href="#">Buy now</a>
22	<a href="#">68T8194501</a> Plate, switch fitting	<a href="#">Buy now</a>
23	<a href="#">97E9506512</a> Bolt, hexagon w/w deep recess	<a href="#">Buy now</a>
24	<a href="#">9046512M56</a> Clamp(62t)	<a href="#">Buy now</a>
25	<a href="#">6F58254001</a> Neutral switch assembly	<a href="#">Buy now</a>
26	<a href="#">6DR8255500</a> Damper, main switch 1	<a href="#">Buy now</a>
27	<a href="#">68T8187000</a> Starting switch assembly	<a href="#">Buy now</a>
28	<a href="#">68T8182100</a> Cover, switch	<a href="#">Buy now</a>
29	<a href="#">9046511M10</a> Clamp	<a href="#">Buy now</a>
30	<a href="#">68T8215000</a> Fuse holder assembly	<a href="#">Buy now</a>

# Optional Parts 1



Ref	Part	
31	<a href="#">66V8215100</a> Fuse (10a)	<a href="#">Buy now</a>
32	<a href="#">68T8217101</a> Stay, fuse box	<a href="#">Buy now</a>
33	<a href="#">67F2812A00</a> Puller, fuse	<a href="#">Buy now</a>
34	<a href="#">68T8210502</a> Battery cable (l: 2.1m)	<a href="#">Buy now</a>
35	<a href="#">68T8259400</a> Clamp	<a href="#">Buy now</a>
36	<a href="#">9015105003</a> Screw, countersunk	<a href="#">Buy now</a>

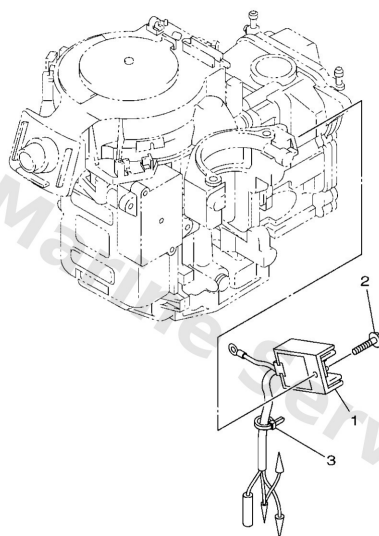
## Optional Parts 2



  
6EA510K-R330

Ref	Part	
1	<a href="#">68T8194900</a> Wire, lead	<a href="#">Buy now</a>
2	<a href="#">66V8215100</a> Fuse (10a)	<a href="#">Buy now</a>
3	<a href="#">68T8217101</a> Stay, fuse box	<a href="#">Buy now</a>
4	<a href="#">67F2812A00</a> Puller, fuse	<a href="#">Buy now</a>
5	<a href="#">97E9506512</a> Bolt, hexagon w/w deep recess	<a href="#">Buy now</a>

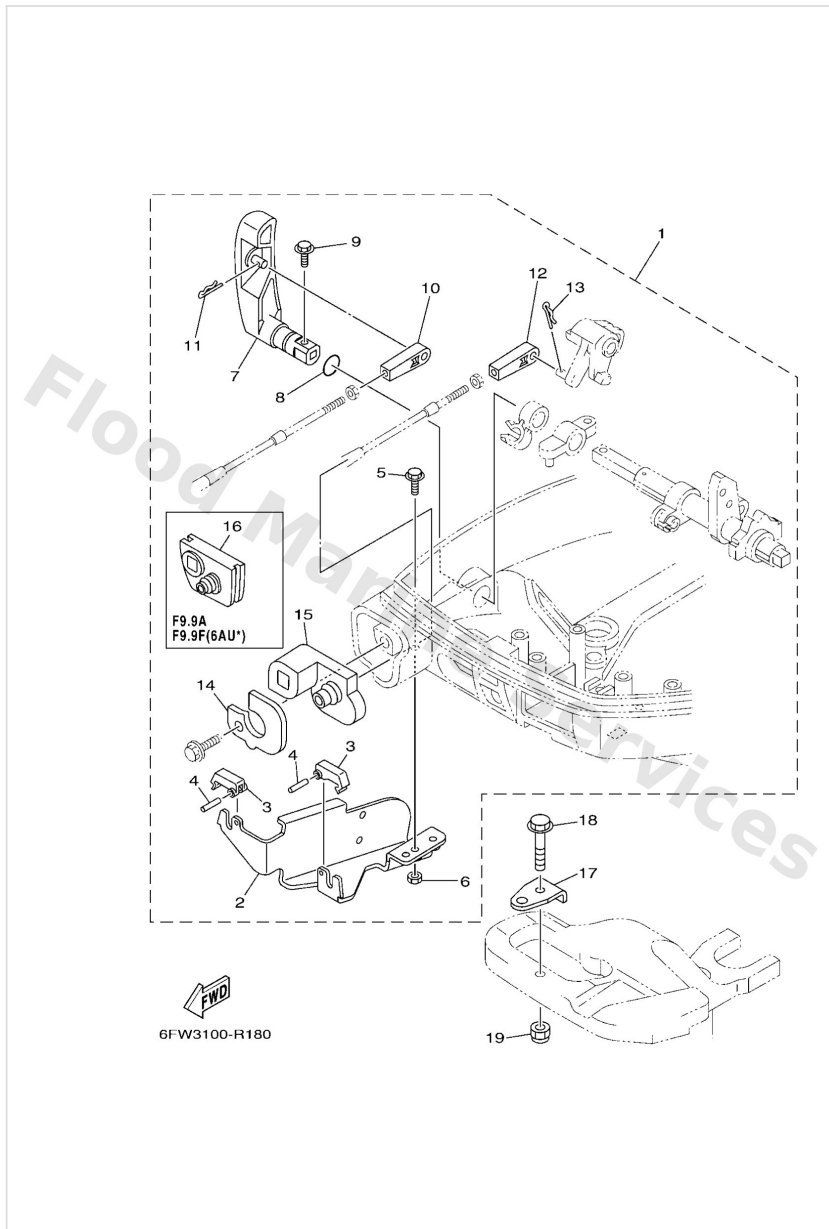
## Optional Parts 3



  
6EA5300-R390

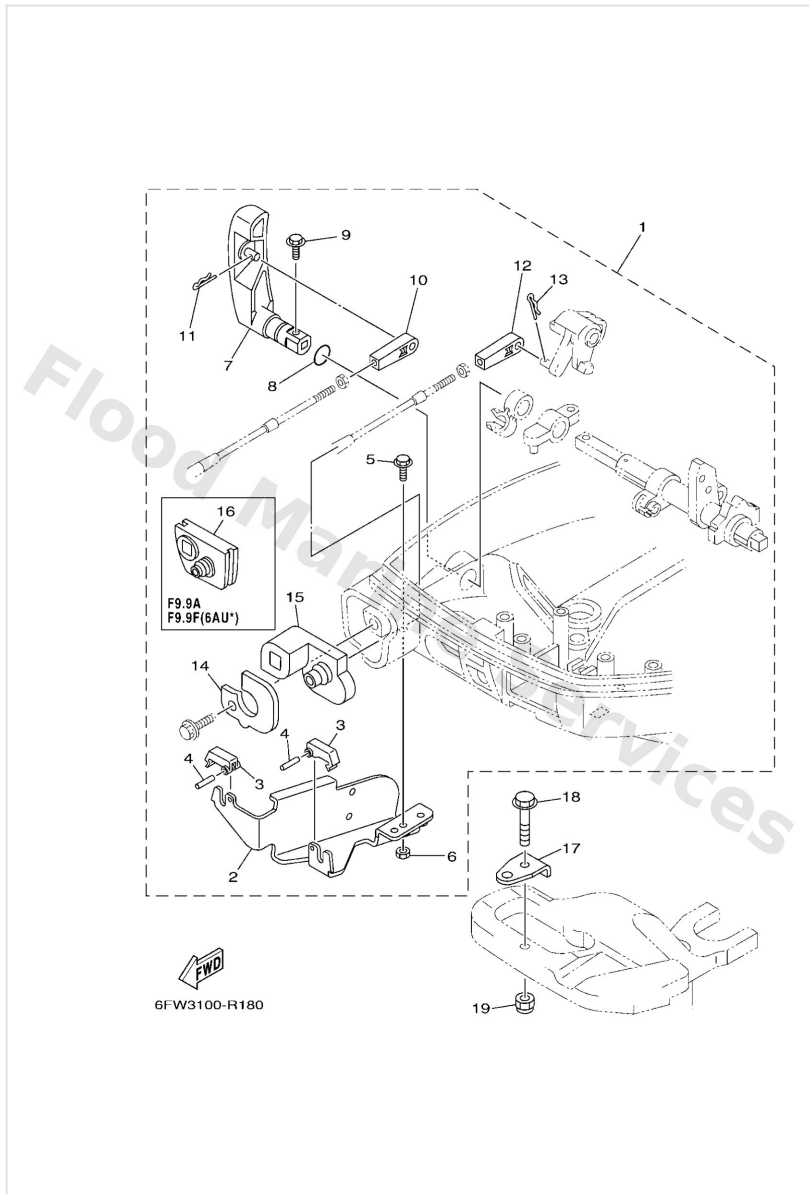
Ref	Part	
1	<a href="#">68T8196000</a> Rectifier & regulator assembly FOR REC/REG KIT	<a href="#">Buy now</a>
2	<a href="#">97E9506512</a> Bolt, hexagon w/w deep recess FOR REC/REG KIT	<a href="#">Buy now</a>
3	<a href="#">9046511M10</a> Clamp FOR REC/REG KIT	<a href="#">Buy now</a>

# Remo Con Attachment



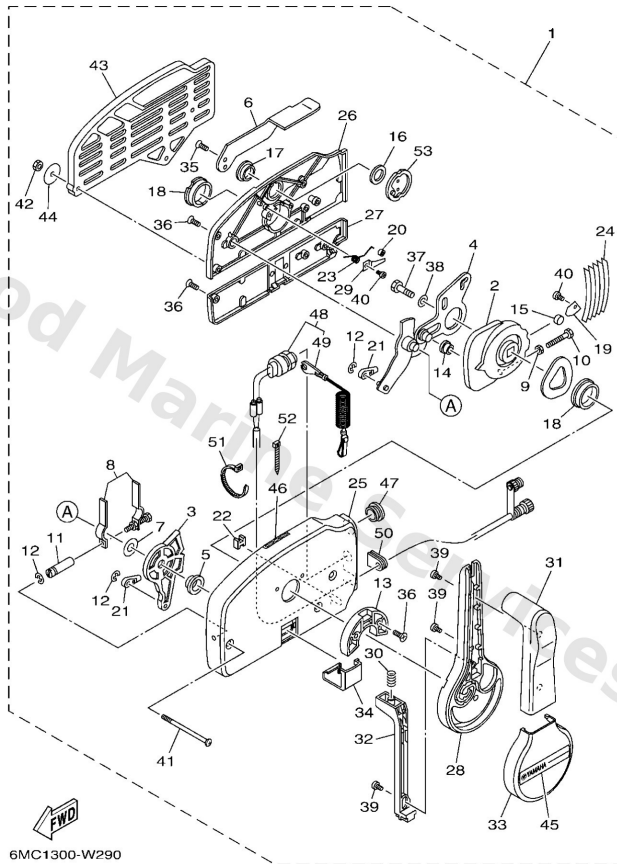
Ref	Part	
1	<a href="#">6DR4850103</a> Remote cont. attachment assembly. AP	<a href="#">Buy now</a>
2	<a href="#">68T4853101</a> Bracket, remote control 1	<a href="#">Buy now</a>
3	<a href="#">6824853850</a> Clamp, cable	<a href="#">Buy now</a>
4	<a href="#">9169030012</a> Pin, spring	<a href="#">Buy now</a>
5	<a href="#">97E9506512</a> Bolt, hexagon w/w deep recess	<a href="#">Buy now</a>
6	<a href="#">9538006600</a> Nut(661)	<a href="#">Buy now</a>
7	<a href="#">6AU4411110</a> Handle, gear shift	<a href="#">Buy now</a>
8	<a href="#">9321012327</a> O-ring(3ld)	<a href="#">Buy now</a>
9	<a href="#">9759505516</a> Bolt, with washer	<a href="#">Buy now</a>
10	<a href="#">6FM4834400</a> Cable end, remote control	<a href="#">Buy now</a>
11	<a href="#">9046818008</a> Clip 620436610000	<a href="#">Buy now</a>
14	<a href="#">6DR4276110</a> Stopper	<a href="#">Buy now</a>
15	<a href="#">6DR4272511</a> Grommet	<a href="#">Buy now</a>
16	<a href="#">68T4272511</a> Grommet	<a href="#">Buy now</a>
17	<a href="#">63V4851101</a> Hook, steering AP	<a href="#">Buy now</a>

# Remo Con Attachment



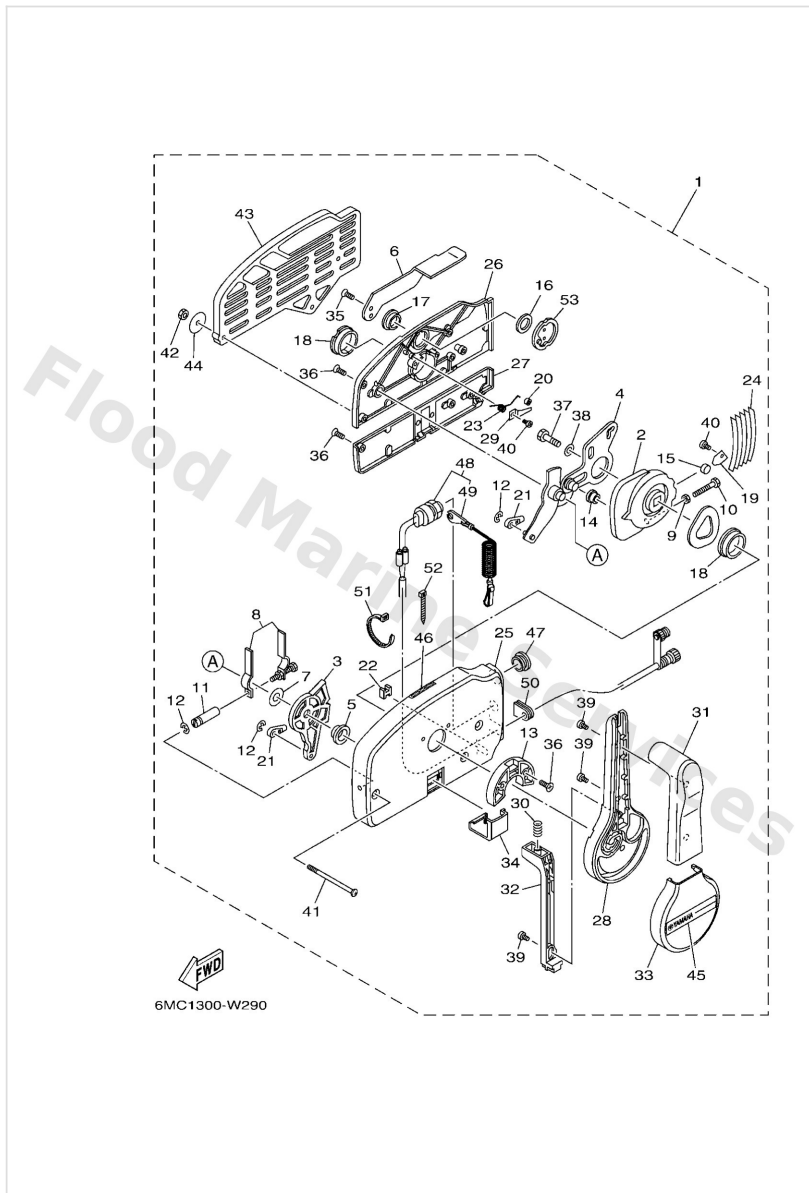
Ref	Part	
18	<a href="#">97E7508535</a> Bolt, hexagon w/w deep recess AP	<a href="#">Buy now</a>
19	<a href="#">9018508057</a> Nut, nylon (6j8) AP	<a href="#">Buy now</a>

# Remote Control Assy



Ref	Part	
1	<a href="#">7034820622</a> 703 mec rc side mnt push - ms AP WITHOUT PT/T SW.	<a href="#">Buy now</a>
2	<a href="#">7034823200</a> Drive gear	<a href="#">Buy now</a>
3	<a href="#">7034827100</a> Arm, shift	<a href="#">Buy now</a>
4	<a href="#">7034826101</a> Arm, throttle	<a href="#">Buy now</a>
5	<a href="#">7034823500</a> Bushing	<a href="#">Buy now</a>
6	<a href="#">7034815210</a> Knob, free accel.	<a href="#">Buy now</a>
7	<a href="#">7034826800</a> Spacer 3	<a href="#">Buy now</a>
8	<a href="#">7034826400</a> Throttle, friction	<a href="#">Buy now</a>
9	<a href="#">9538005600</a> Nut, hexagon (663)	<a href="#">Buy now</a>
10	<a href="#">9738005025</a> Bolt	<a href="#">Buy now</a>
11	<a href="#">7034826510</a> Shaft, friction	<a href="#">Buy now</a>
12	<a href="#">9343006024</a> Circlip (701)	<a href="#">Buy now</a>
13	<a href="#">7034824500</a> Plate, lock	<a href="#">Buy now</a>
14	<a href="#">7034825200</a> Roller, cam	<a href="#">Buy now</a>
15	<a href="#">7014824800</a> Roller, free accel	<a href="#">Buy now</a>

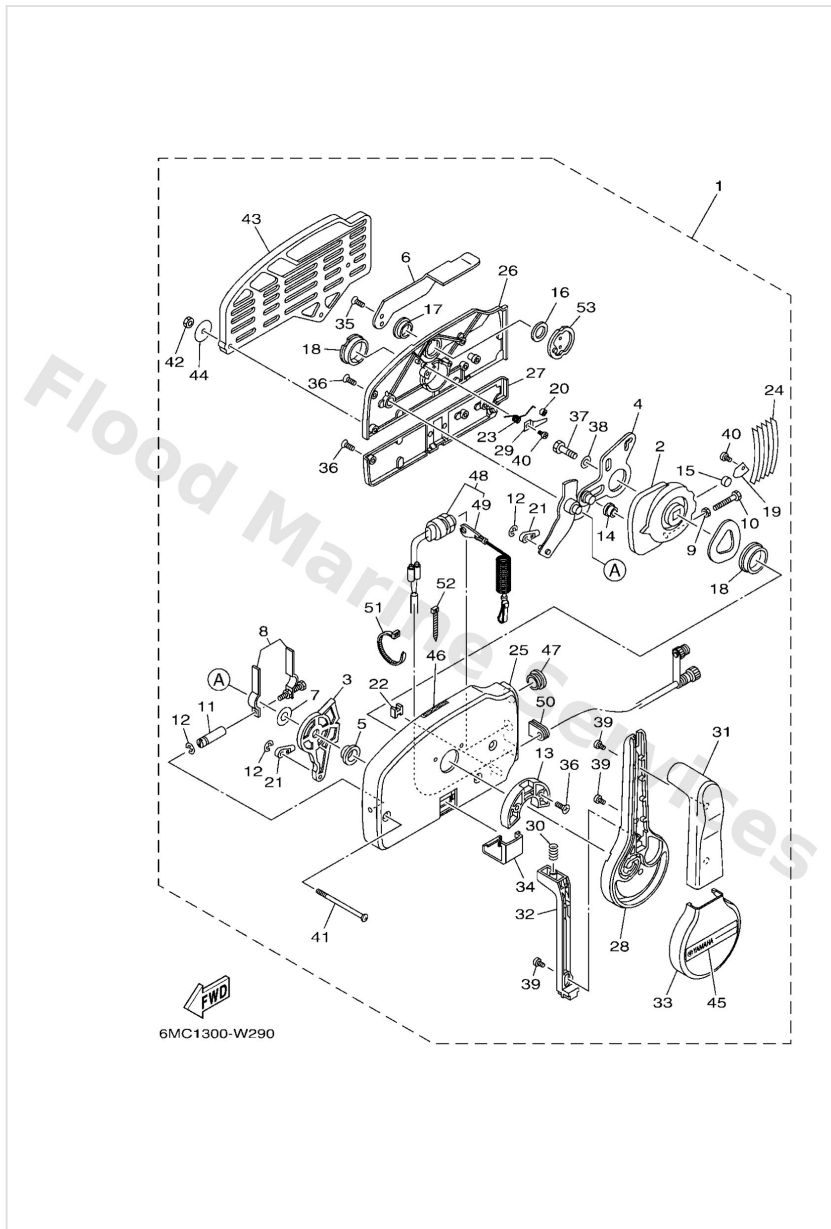
# Remote Control Assy



Ref	Part	
16	<a href="#">7034819800</a> Washer, wave 3	<a href="#">Buy now</a>
17	<a href="#">7034824300</a> Bushing 3	<a href="#">Buy now</a>
18	<a href="#">7034823600</a> Bushing	<a href="#">Buy now</a>
19	<a href="#">7034818900</a> Retainer	<a href="#">Buy now</a>
20	<a href="#">7034823400</a> Roller, detent	<a href="#">Buy now</a>
21	<a href="#">7034834501</a> Cable end, remote control 2	<a href="#">Buy now</a>
22	<a href="#">7034835801</a> Anchor, cable	<a href="#">Buy now</a>
23	<a href="#">7034824400</a> Spring, free accel.	<a href="#">Buy now</a>
24	<a href="#">7034823800</a> Spring, detent	<a href="#">Buy now</a>
25	<a href="#">7034821110</a> Housing,1	<a href="#">Buy now</a>
26	<a href="#">7034821210</a> Back plate 1	<a href="#">Buy now</a>
27	<a href="#">7034821310</a> Back plate 2	<a href="#">Buy now</a>
28	<a href="#">7034822110</a> Lever, control	<a href="#">Buy now</a>
29	<a href="#">7034824600</a> Spacer 1	<a href="#">Buy now</a>
30	<a href="#">7034822700</a> Spring, neutral lock	<a href="#">Buy now</a>

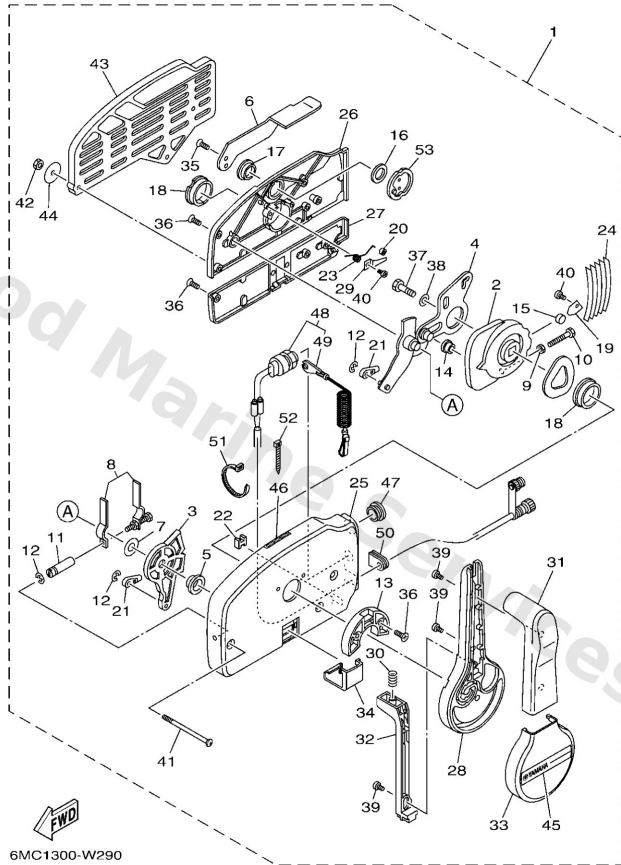


# Remote Control Assy



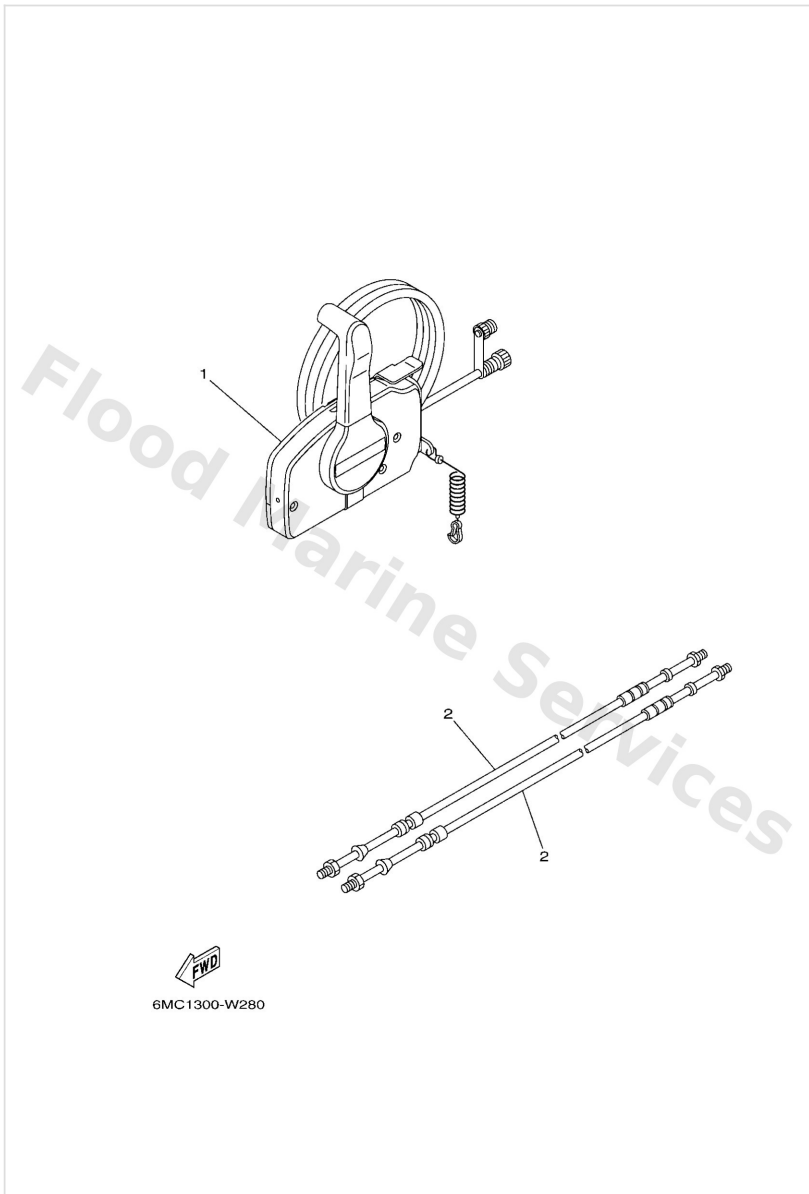
Ref	Part	
31	<a href="#">7034822230</a> Grip, control lever SINGLE	<a href="#">Buy now</a>
32	<a href="#">7034822310</a> Lock, neutral	<a href="#">Buy now</a>
33	<a href="#">7034822510</a> Cover	<a href="#">Buy now</a>
34	<a href="#">7034821910</a> Cover, lead	<a href="#">Buy now</a>
35	<a href="#">7034828100</a> Screw, flat head	<a href="#">Buy now</a>
36	<a href="#">7034418920</a> Screw	<a href="#">Buy now</a>
37	<a href="#">9738008030</a> Bolt, hexagon (fj1)	<a href="#">Buy now</a>
38	<a href="#">9299008600</a> Washer, plain (663)	<a href="#">Buy now</a>
39	<a href="#">7034812810</a> Screw 2	<a href="#">Buy now</a>
40	<a href="#">9858004006</a> Screw, pan head (7h3)	<a href="#">Buy now</a>
41	<a href="#">7034418930</a> Screw	<a href="#">Buy now</a>
42	<a href="#">9538006600</a> Nut(661)	<a href="#">Buy now</a>
43	<a href="#">7034829311</a> Spacer, remote control SINGLE	<a href="#">Buy now</a>
44	<a href="#">7014828700</a> Washer 1	<a href="#">Buy now</a>
45	<a href="#">7034821511</a> Graphic	<a href="#">Buy now</a>

# Remote Control Assy



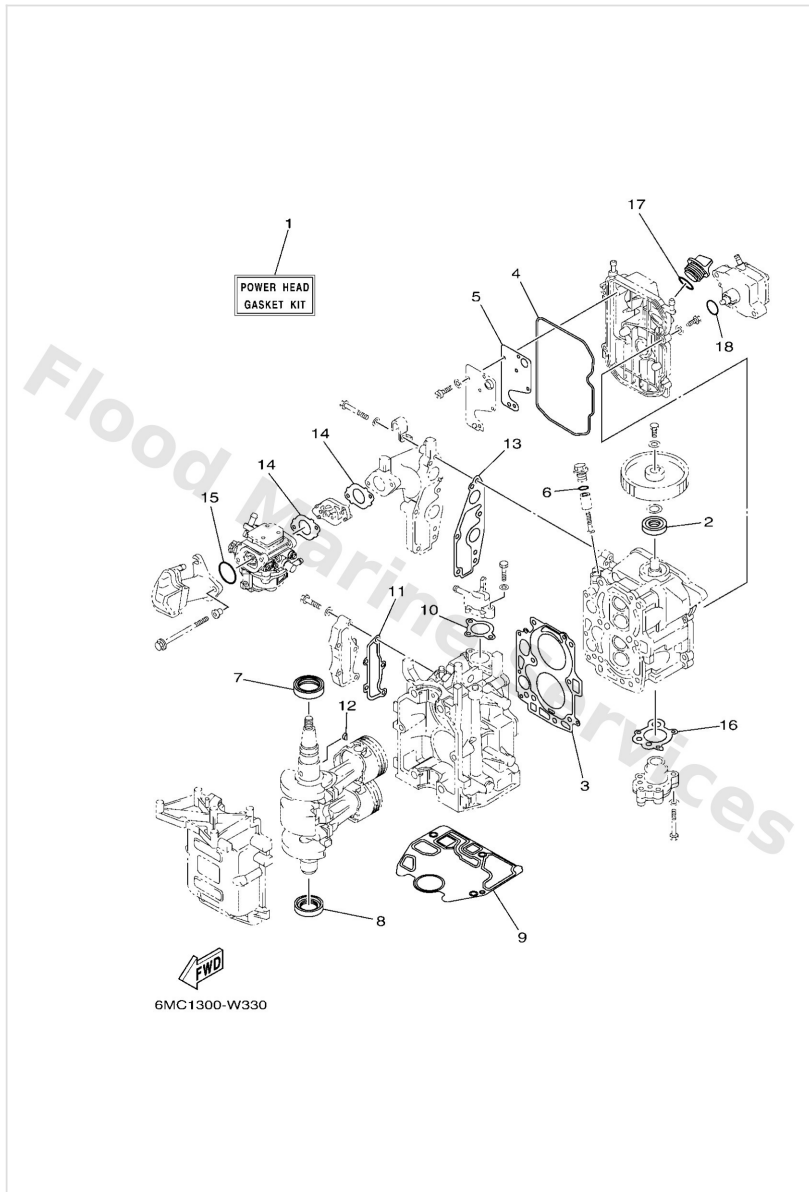
Ref	Part	
46	<a href="#">6X34419100</a> Indicator, shift	<a href="#">Buy now</a>
47	<a href="#">7034813800</a> Cap, lock arm	<a href="#">Buy now</a>
48	<a href="#">7018257554</a> Engine stop switch assembly	<a href="#">Buy now</a>
49	<a href="#">6828255600</a> Lanyard, stop switch	<a href="#">Buy now</a>
50	<a href="#">7034828420</a> Grommet	<a href="#">Buy now</a>
51	<a href="#">7038259100</a> Band	<a href="#">Buy now</a>
52	<a href="#">7038259200</a> Band	<a href="#">Buy now</a>
53	<a href="#">7034815300</a> Shaft, free accel.	<a href="#">Buy now</a>

# Remote Control Box



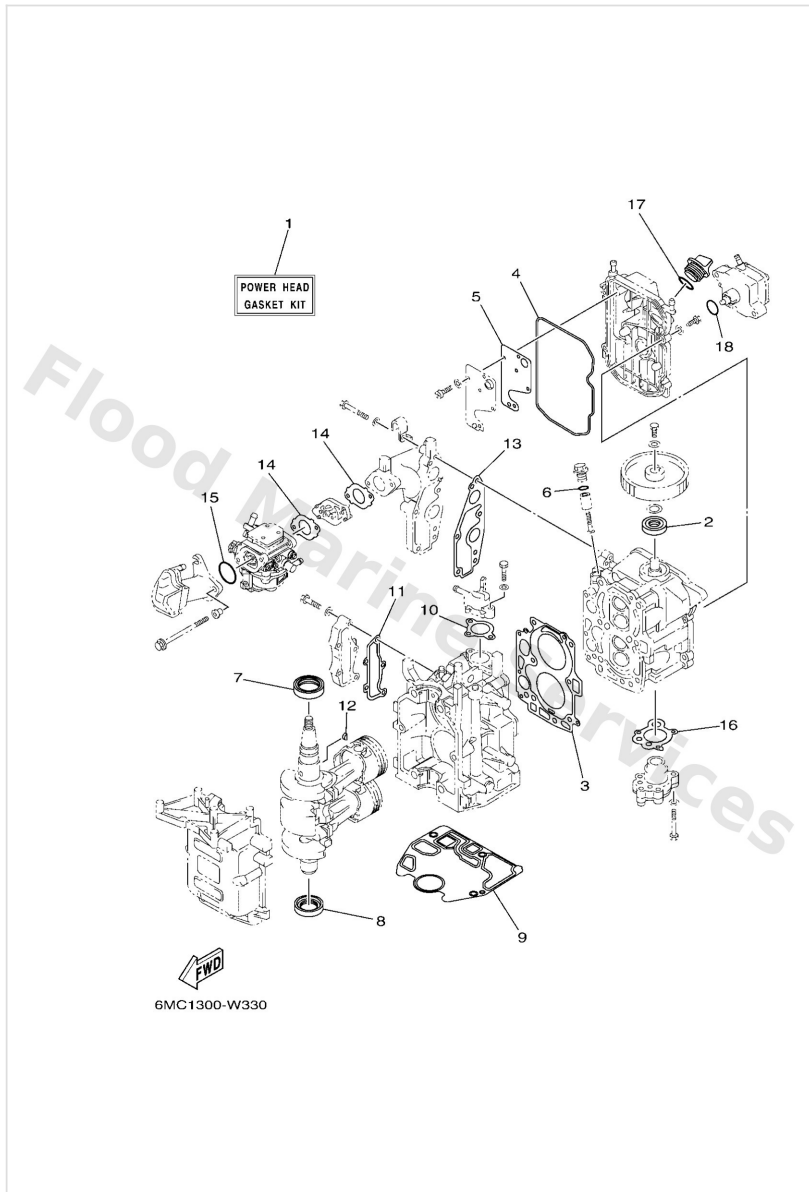
Ref	Part	
1	<a href="#">7034820622</a> 703 mec rc side mnt push - ms AP WITHOUT PT/T SW.	<a href="#">Buy now</a>
2	<a href="#">7014831080</a> Cable, Remote Control L=10F UR	<a href="#">Buy now</a>
2	<a href="#">7014831090</a> Cable, Remote Control L=11F UR	<a href="#">Buy now</a>
2	<a href="#">7014832000</a> Cable, Remote Control L=12F UR	<a href="#">Buy now</a>

# Repair Kit 1



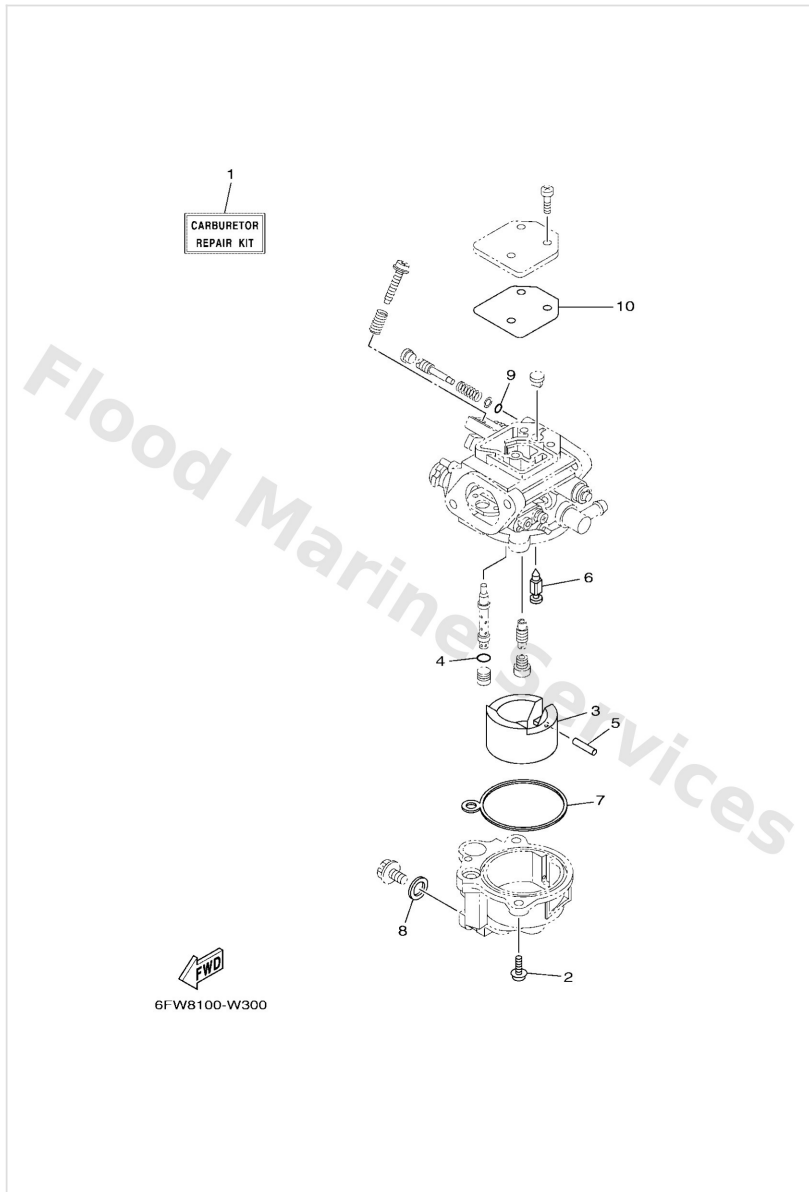
Ref	Part	
1	<a href="#">6AUW000100</a> Power head gasket kit	<a href="#">Buy now</a>
2	<a href="#">9310218M21</a> Oil seal (6g8)	<a href="#">Buy now</a>
3	<a href="#">68T1118100</a> Gasket, cylinder head 1	<a href="#">Buy now</a>
4	<a href="#">68T1135600</a> Seal, cylinder 2	<a href="#">Buy now</a>
5	<a href="#">68T11169A0</a> Gasket, breather cover	<a href="#">Buy now</a>
6	<a href="#">9321013M63</a> O-ring (6g8)	<a href="#">Buy now</a>
7	<a href="#">9310230M22</a> Oil seal (6g8)	<a href="#">Buy now</a>
8	<a href="#">9310125M69</a> Oil seal	<a href="#">Buy now</a>
9	<a href="#">68T1135100</a> Gasket, cylinder	<a href="#">Buy now</a>
10	<a href="#">6G812414A0</a> Gasket, cover	<a href="#">Buy now</a>
11	<a href="#">68T41114A0</a> Gasket, exhaust outer cover	<a href="#">Buy now</a>
12	<a href="#">9028003M01</a> Key woodruff 146115450000	<a href="#">Buy now</a>
13	<a href="#">68T1364500</a> Gasket, manifold 1	<a href="#">Buy now</a>
14	<a href="#">68T13646A0</a> Gasket, manifold 2	<a href="#">Buy now</a>
15	<a href="#">9321031MJ5</a> O-ring	<a href="#">Buy now</a>

# Repair Kit 1



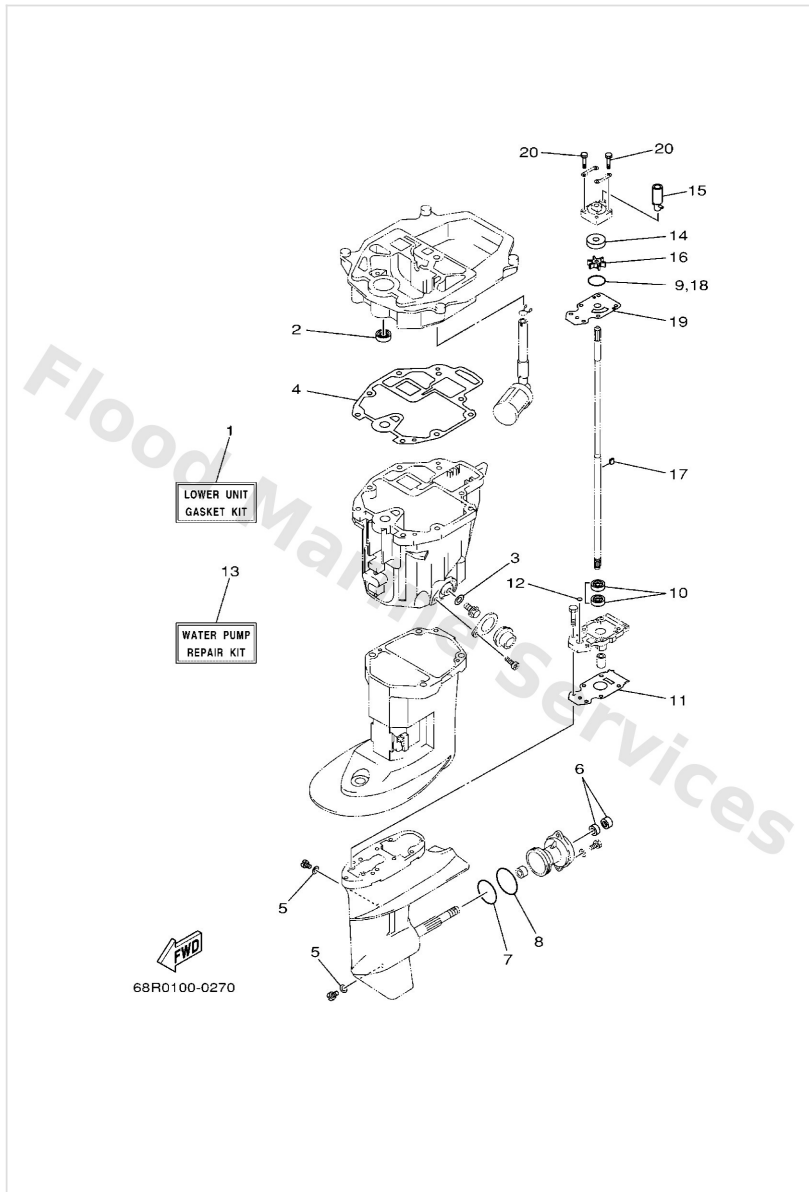
Ref	Part	
16	<a href="#">68T1332900</a> Gasket, pump cover	<a href="#">Buy now</a>
17	<a href="#">9321024M79</a> O-ring	<a href="#">Buy now</a>
18	<a href="#">9321020M65</a> O-ring	<a href="#">Buy now</a>

# Repair Kit 2



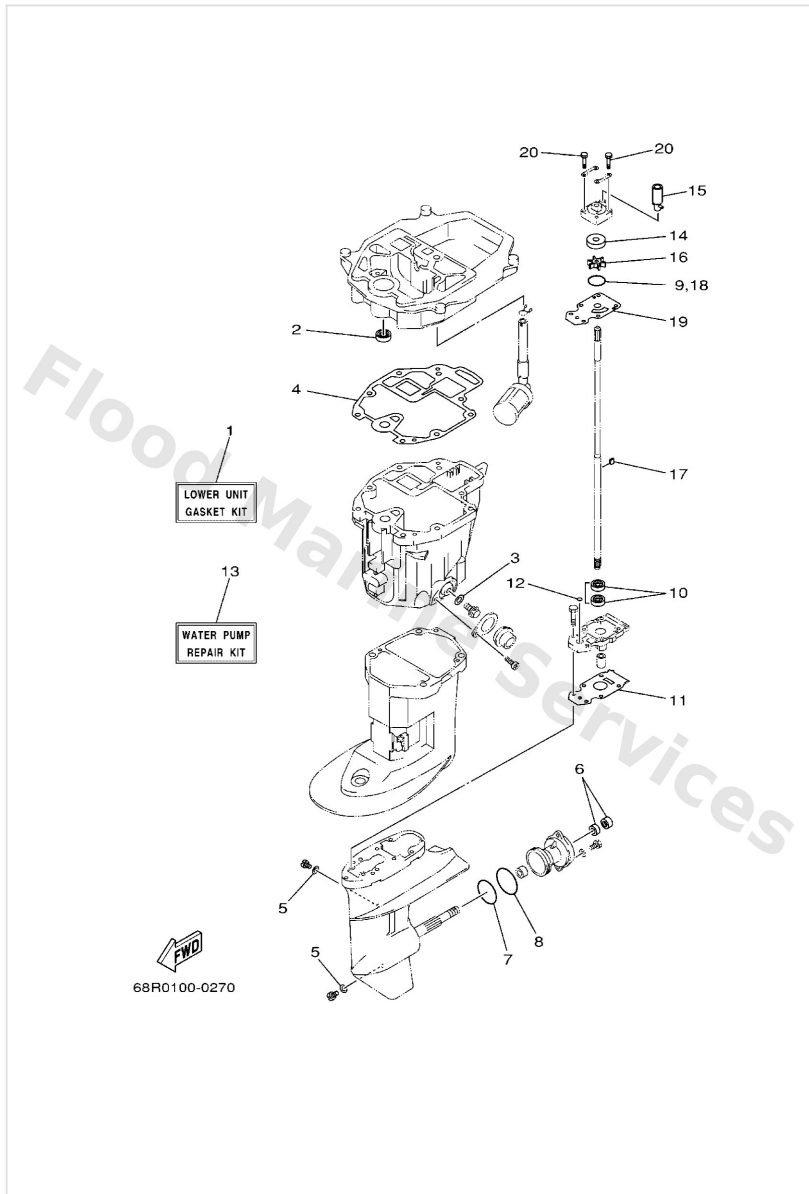
Ref	Part	
1	<a href="#">6DRW009300</a> Carburetor repair kit	<a href="#">Buy now</a>
2	<a href="#">62Y1432100</a> Screw, throttle	<a href="#">Buy now</a>
3	<a href="#">6DR1438500</a> Float	<a href="#">Buy now</a>
4	<a href="#">6DR1456100</a> O-ring	<a href="#">Buy now</a>
5	<a href="#">4FP1438600</a> Pin, float	<a href="#">Buy now</a>
6	<a href="#">6DR1433600</a> Needle	<a href="#">Buy now</a>
7	<a href="#">6DR1498400</a> Gasket, float chamber	<a href="#">Buy now</a>
8	<a href="#">6521439700</a> Ring, o	<a href="#">Buy now</a>
9	<a href="#">6DR1439700</a> O-ring	<a href="#">Buy now</a>
10	<a href="#">6DR1481800</a> Cover gasket	<a href="#">Buy now</a>

# Repair Kit 3



Ref	Part	
1	<a href="#">68TW000120</a> Lower unit gasket kit	<a href="#">Buy now</a>
2	<a href="#">9310112M70</a> Oil seal	<a href="#">Buy now</a>
3	<a href="#">9043010M11</a> Gasket	<a href="#">Buy now</a>
4	<a href="#">68T1347500</a> Gasket	<a href="#">Buy now</a>
5	<a href="#">9043008003</a> Gasket	<a href="#">Buy now</a>
6	<a href="#">9310115074</a> Oil seal (655)	<a href="#">Buy now</a>
7	<a href="#">9321049046</a> O-ring (620)	<a href="#">Buy now</a>
8	<a href="#">9321053M08</a> O-ring(50m)	<a href="#">Buy now</a>
9	<a href="#">9321044398</a> O-ring(55x)	<a href="#">Buy now</a>
10	<a href="#">9310111M23</a> Oil seal (6g1)	<a href="#">Buy now</a>
11	<a href="#">68T45315A0</a> Packing, lower casing	<a href="#">Buy now</a>
12	<a href="#">9321006ME6</a> O-ring	<a href="#">Buy now</a>
13	<a href="#">68TW007802</a> Water pump repair kit	<a href="#">Buy now</a>
14	<a href="#">63V4432200</a> Insert, cartridge	<a href="#">Buy now</a>
15	<a href="#">68T4436601</a> Damper, water seal 2	<a href="#">Buy now</a>

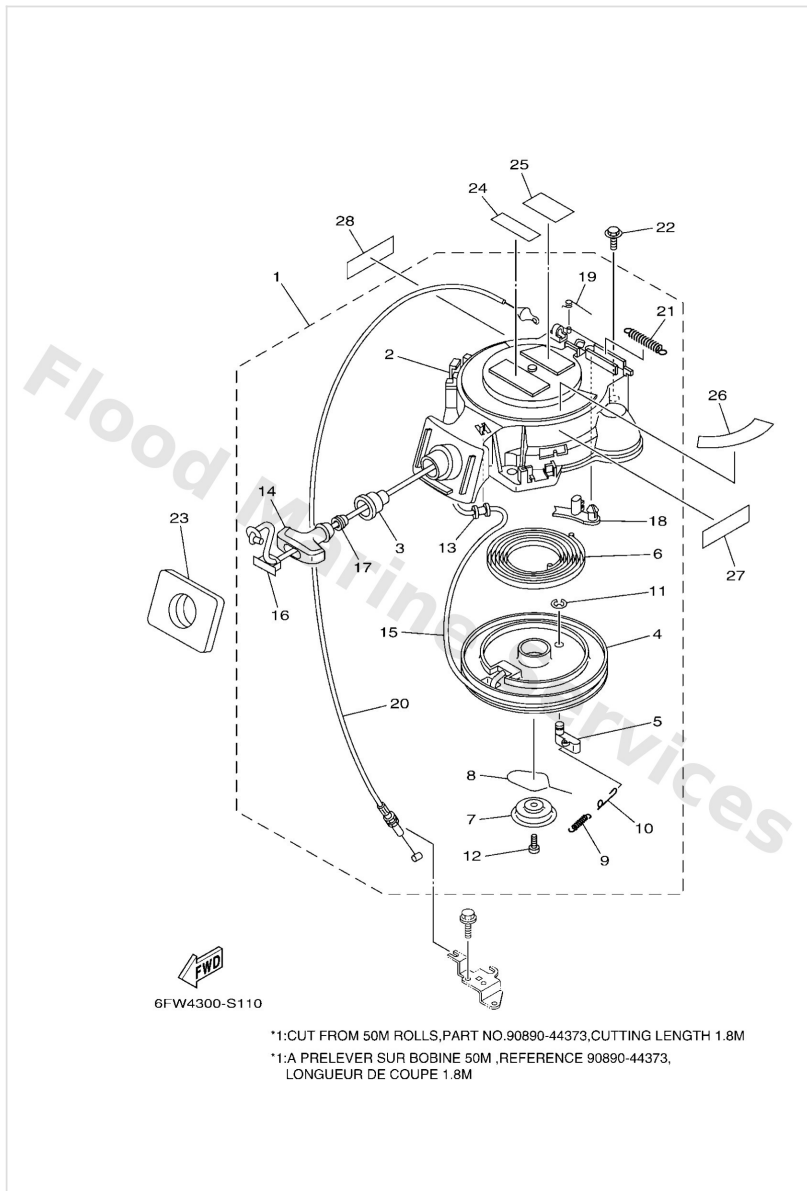
# Repair Kit 3



Ref	Part	
16	<a href="#">68T4435200</a> Impeller	<a href="#">Buy now</a>
17	<a href="#">6644433800</a> Key, woodruff	<a href="#">Buy now</a>
19	<a href="#">68T4432300</a> Outer plate, cartridge	<a href="#">Buy now</a>
20	<a href="#">97D9508045</a> Bolt, hexagon deep recess	<a href="#">Buy now</a>

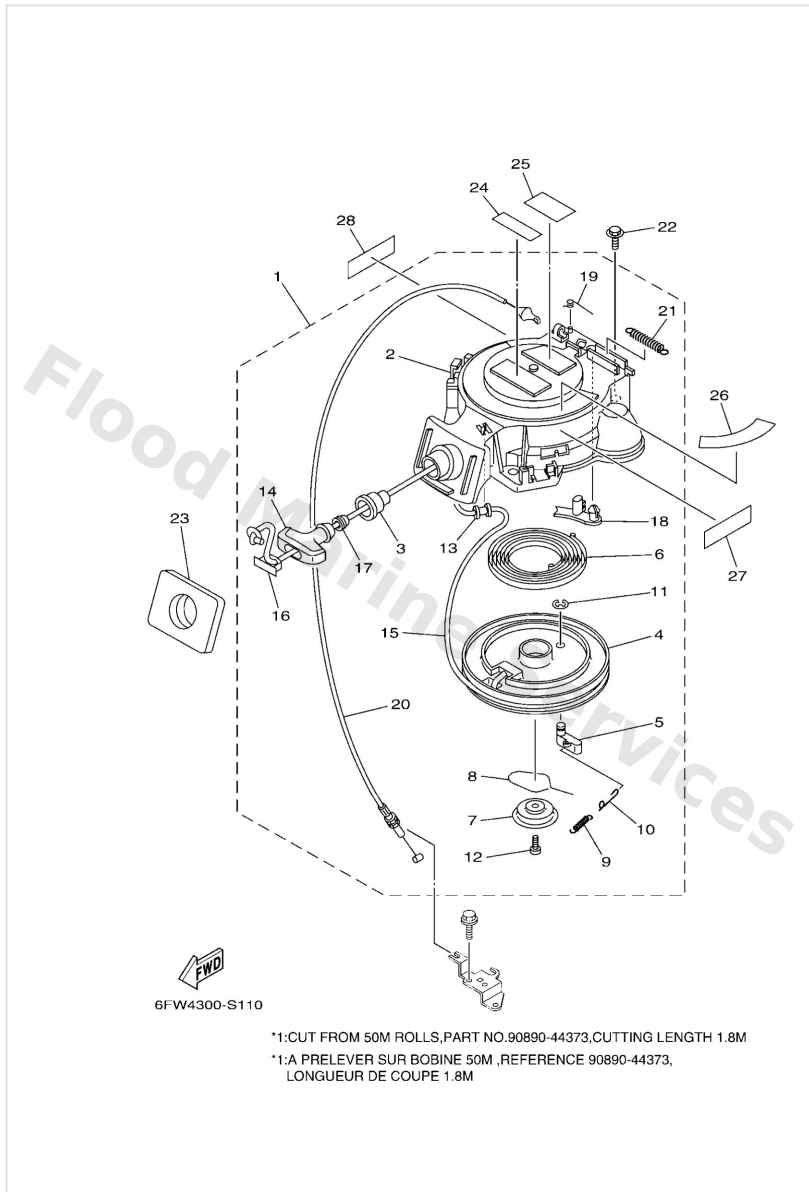


# Starter



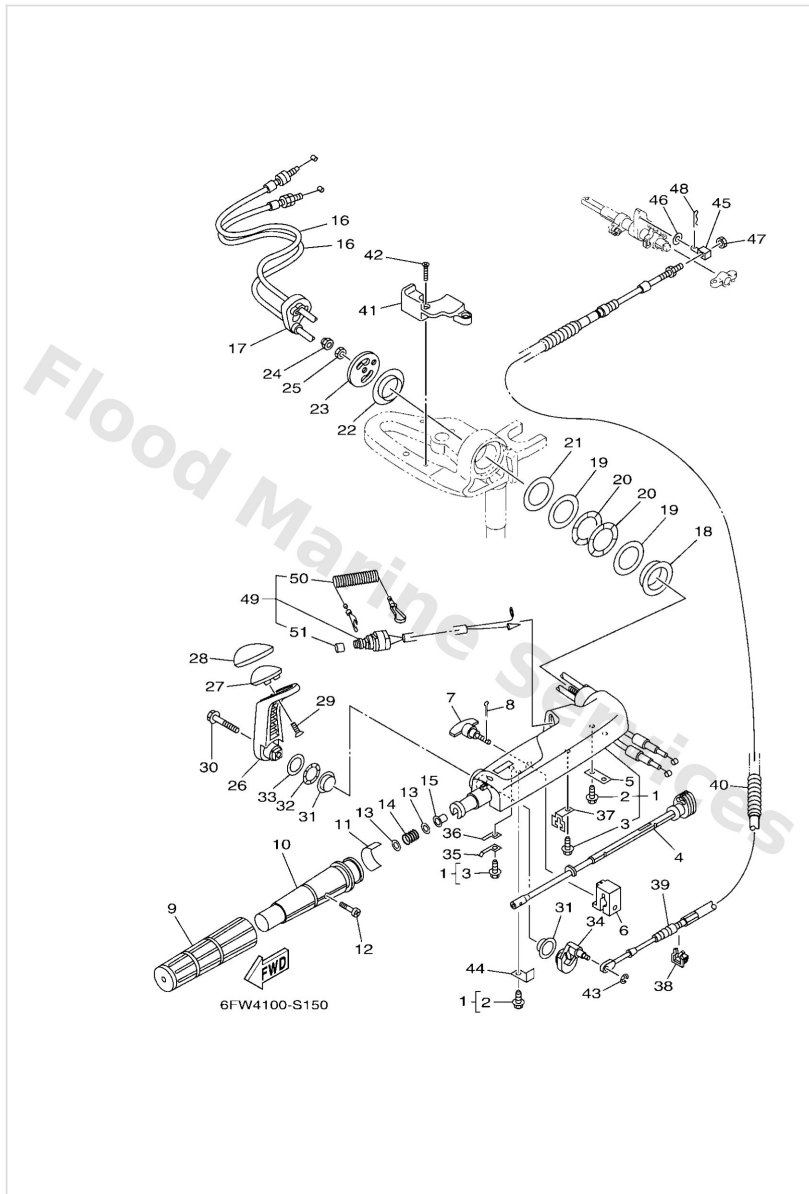
Ref	Part	
1	<a href="#">68T1571014</a> Starter assembly	<a href="#">Buy now</a>
2	<a href="#">68T1571103</a> Case, starter	<a href="#">Buy now</a>
3	<a href="#">68T1579500</a> Guide, rope	<a href="#">Buy now</a>
4	<a href="#">63V1571400</a> Drum, sheave	<a href="#">Buy now</a>
5	<a href="#">63V1574100</a> Pawl, drive	<a href="#">Buy now</a>
6	<a href="#">63V1571300</a> Spring, starter	<a href="#">Buy now</a>
7	<a href="#">68T1571600</a> Plate, drive	<a href="#">Buy now</a>
8	<a href="#">63V1570501</a> Spring, drive pawl	<a href="#">Buy now</a>
9	<a href="#">63V1576701</a> Spring	<a href="#">Buy now</a>
10	<a href="#">68T1578400</a> Spring, return	<a href="#">Buy now</a>
11	<a href="#">63V1574400</a> Circlip	<a href="#">Buy now</a>
12	<a href="#">68T1579300</a> Screw	<a href="#">Buy now</a>
13	<a href="#">68T1576400</a> Collar 1	<a href="#">Buy now</a>
14	<a href="#">6G11575500</a> Handle, starter	<a href="#">Buy now</a>
15	* item_description *1	<a href="#">Buy now</a>

# Starter



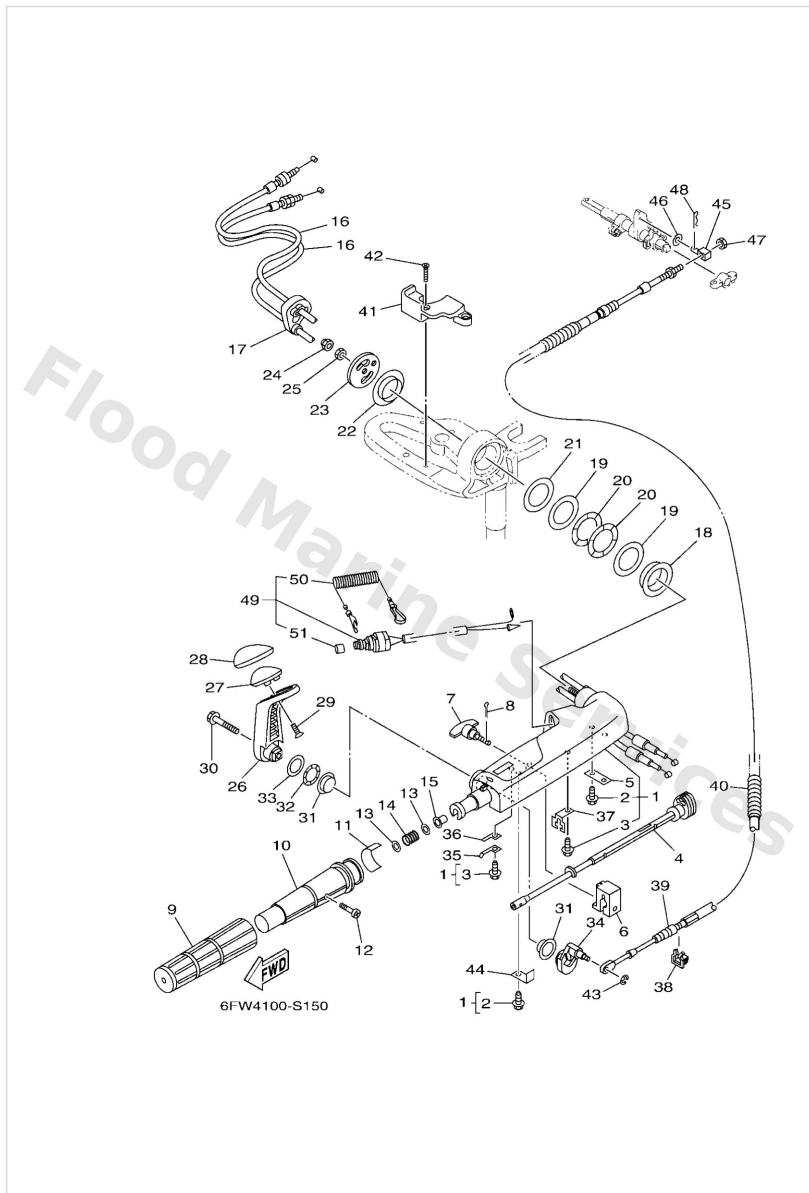
Ref	Part	
16	<a href="#">6G11577900</a> Cover	<a href="#">Buy now</a>
17	<a href="#">6A01578901</a> Damper	<a href="#">Buy now</a>
18	<a href="#">68T1579400</a> Stopper	<a href="#">Buy now</a>
19	<a href="#">66T1573400</a> Spring, return	<a href="#">Buy now</a>
20	<a href="#">68T1577000</a> Cable comp., starter stop	<a href="#">Buy now</a>
21	<a href="#">66T1573100</a> Retainer, spring	<a href="#">Buy now</a>
22	<a href="#">97E9506520</a> Bolt, hexagon w/w deep recess	<a href="#">Buy now</a>
23	<a href="#">68T1576200</a> Seal, rubber 2	<a href="#">Buy now</a>
24	<a href="#">6EE8199540</a> Label, warning	<a href="#">Buy now</a>
25	<a href="#">6EE8199550</a> Label, warning	<a href="#">Buy now</a>
26	<a href="#">68T8571160</a> Mark, caution	<a href="#">Buy now</a>
27	<a href="#">6EE8199440</a> Label, safety	<a href="#">Buy now</a>
28	<a href="#">6EE8199450</a> Label, safety	<a href="#">Buy now</a>

# Steering



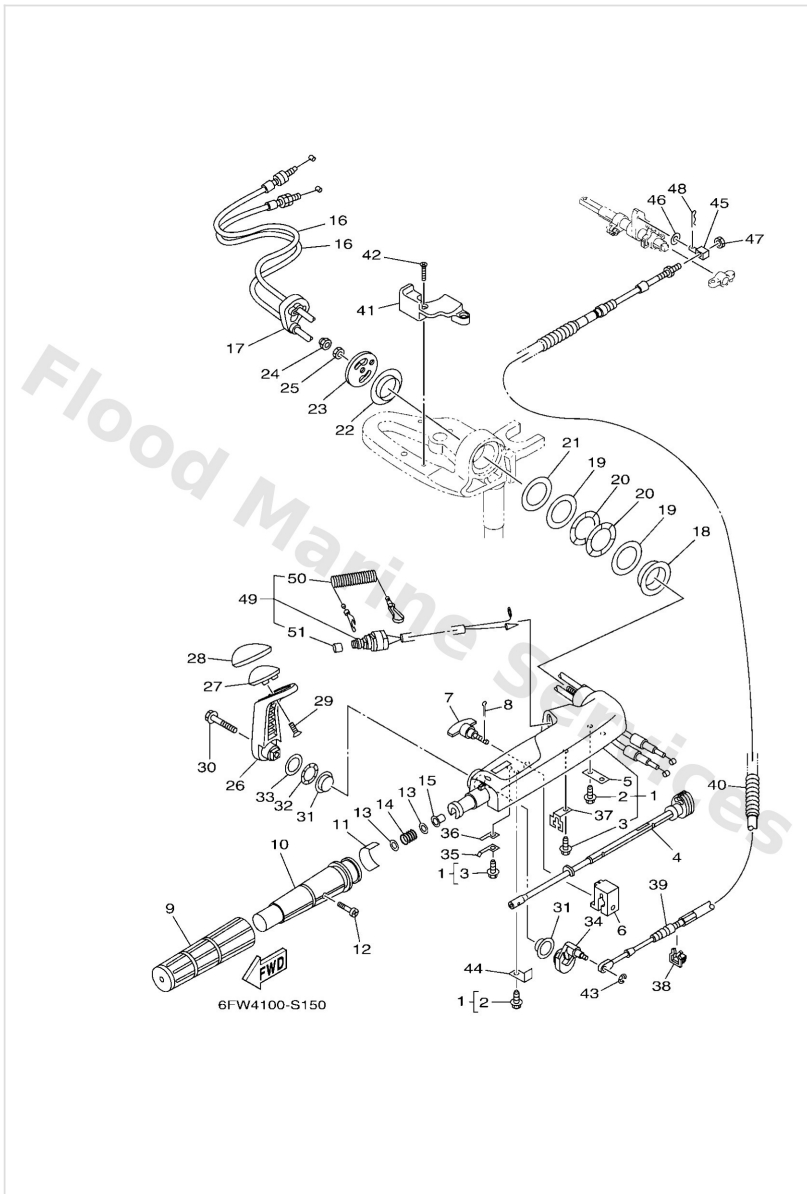
Ref	Part	
1	<a href="#">6DR42101008D</a> Handle, steering	<a href="#">Buy now</a>
2	<a href="#">9010906M86</a> Bolt	<a href="#">Buy now</a>
3	<a href="#">9010906M80</a> Bolt	<a href="#">Buy now</a>
4	<a href="#">6DR4213801</a> Lever, throttle	<a href="#">Buy now</a>
5	<a href="#">65W4215900</a> Stay	<a href="#">Buy now</a>
6	<a href="#">6DR4212600</a> Friction, steering handle grip	<a href="#">Buy now</a>
7	<a href="#">65W4212500</a> Bolt, friction adjusting	<a href="#">Buy now</a>
8	<a href="#">9149016010</a> Pin, cotter	<a href="#">Buy now</a>
9	<a href="#">67D4217701</a> Rubber, handle	<a href="#">Buy now</a>
10	<a href="#">67D4211901</a> Grip, steering handle	<a href="#">Buy now</a>
11	<a href="#">6FW4213700</a> Indicator, throttle	<a href="#">Buy now</a>
12	<a href="#">9015205011</a> Screw, countersunk	<a href="#">Buy now</a>
13	<a href="#">9020110M02</a> Washer, plate(6g9)	<a href="#">Buy now</a>
14	<a href="#">9050123215</a> Spring (655)	<a href="#">Buy now</a>
15	<a href="#">9038608032</a> Bushing (650)	<a href="#">Buy now</a>

# Steering



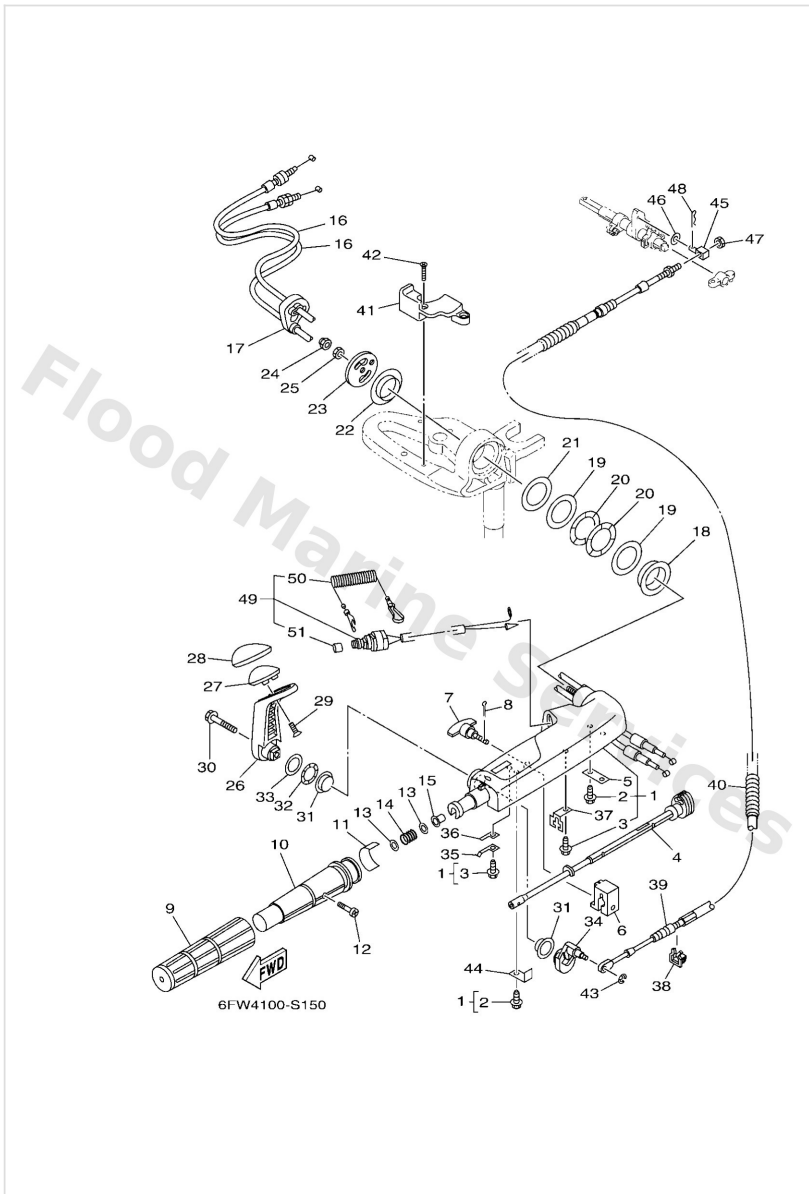
Ref	Part	
16	<a href="#">6DR2630100</a> Throttle cable assembly	<a href="#">Buy now</a>
17	<a href="#">6DR2631601</a> Boot, throttle cable	<a href="#">Buy now</a>
18	<a href="#">66R4217100</a> Bushing	<a href="#">Buy now</a>
19	<a href="#">9020143M00</a> Washer, plate	<a href="#">Buy now</a>
20	<a href="#">9020643M22</a> Washer, wave	<a href="#">Buy now</a>
21	<a href="#">9020243M57</a> Washer, plate	<a href="#">Buy now</a>
22	<a href="#">9038640M99</a> Bush	<a href="#">Buy now</a>
23	<a href="#">65W4213101</a> Cover, handle steering	<a href="#">Buy now</a>
24	<a href="#">9578010300</a> Nut, nylon (6e5)	<a href="#">Buy now</a>
25	<a href="#">9538010700</a> Nut (682)	<a href="#">Buy now</a>
26	<a href="#">6DR44111008D</a> Handle, gear shift	<a href="#">Buy now</a>
27	<a href="#">6DR4417300</a> Lever, shift control	<a href="#">Buy now</a>
28	<a href="#">6DR4212901</a> Bushing, rubber	<a href="#">Buy now</a>
29	<a href="#">9778060920</a> Screw, tapping	<a href="#">Buy now</a>
30	<a href="#">97E9508535</a> Bolt, hexagon w/w deep recess	<a href="#">Buy now</a>

# Steering



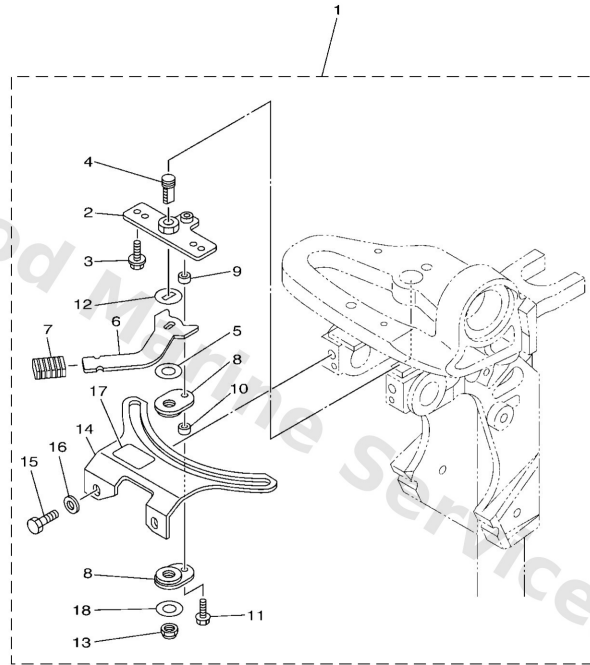
Ref	Part	
31	<a href="#">9038626MA3</a> Bush	<a href="#">Buy now</a>
32	<a href="#">9020626M25</a> Washer, wave	<a href="#">Buy now</a>
33	<a href="#">9020226M59</a> Washer, plate	<a href="#">Buy now</a>
34	<a href="#">6DR44113A0</a> Cam plate, handle	<a href="#">Buy now</a>
35	<a href="#">6DR4411600</a> Spring	<a href="#">Buy now</a>
36	<a href="#">66R4411800</a> Bracket	<a href="#">Buy now</a>
37	<a href="#">66R4853800</a> Clamp, cable 1	<a href="#">Buy now</a>
38	<a href="#">63D4853800</a> Clamp, cable 1	<a href="#">Buy now</a>
39	<a href="#">6DR4832100</a> Cable	<a href="#">Buy now</a>
40	<a href="#">9044713015</a> Tube	<a href="#">Buy now</a>
41	<a href="#">6DR8259400</a> Clamp	<a href="#">Buy now</a>
42	<a href="#">9015105003</a> Screw, countersunk	<a href="#">Buy now</a>
43	<a href="#">9908004600</a> Circlip (eu0)	<a href="#">Buy now</a>
44	<a href="#">6DR4411400</a> Stopper	<a href="#">Buy now</a>
45	<a href="#">66R4834400</a> Cable end, remote control	<a href="#">Buy now</a>

# Steering



Ref	Part	
46	<a href="#">9020106117</a> Washer, plate	<a href="#">Buy now</a>
47	<a href="#">9017005M38</a> Nut	<a href="#">Buy now</a>
48	<a href="#">9149020012</a> Pin, cotter (648)	<a href="#">Buy now</a>
49	<a href="#">65W8257501</a> Engine stop switch assembly	<a href="#">Buy now</a>
50	<a href="#">6828255600</a> Lanyard, stop switch	<a href="#">Buy now</a>
51	<a href="#">6898257Y00</a> Cap	<a href="#">Buy now</a>

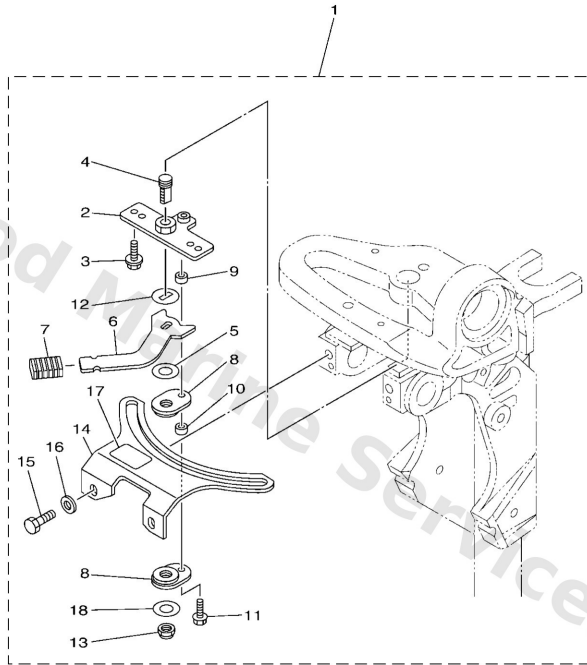
# Steering Friction



  
6FW4100-S160

Ref	Part	
1	<a href="#">6AH4250803</a> Steering friction assembly	<a href="#">Buy now</a>
2	<a href="#">68T4252501</a> Plate, friction	<a href="#">Buy now</a>
3	<a href="#">9011905018</a> Bolt, with washer	<a href="#">Buy now</a>
4	<a href="#">67C42562A0</a> Shaft, steering lock	<a href="#">Buy now</a>
5	<a href="#">9020210M56</a> Washer, plate	<a href="#">Buy now</a>
6	<a href="#">68T4256100</a> Knob, steering lock	<a href="#">Buy now</a>
7	<a href="#">6894363301</a> Cover, tilt lever	<a href="#">Buy now</a>
8	<a href="#">65W4252800</a> Plate, friction	<a href="#">Buy now</a>
9	<a href="#">9038705053</a> Collar	<a href="#">Buy now</a>
10	<a href="#">9038705054</a> Collar	<a href="#">Buy now</a>
11	<a href="#">9759505520</a> Bolt, With Washer	<a href="#">Buy now</a>
12	<a href="#">9020910M26</a> Washer	<a href="#">Buy now</a>
13	<a href="#">9018510M14</a> Nut, self-locking	<a href="#">Buy now</a>
14	<a href="#">6AH4252700</a> Plate, friction	<a href="#">Buy now</a>
15	<a href="#">97D9508016</a> Bolt, hexagon deep recess	<a href="#">Buy now</a>

# Steering Friction

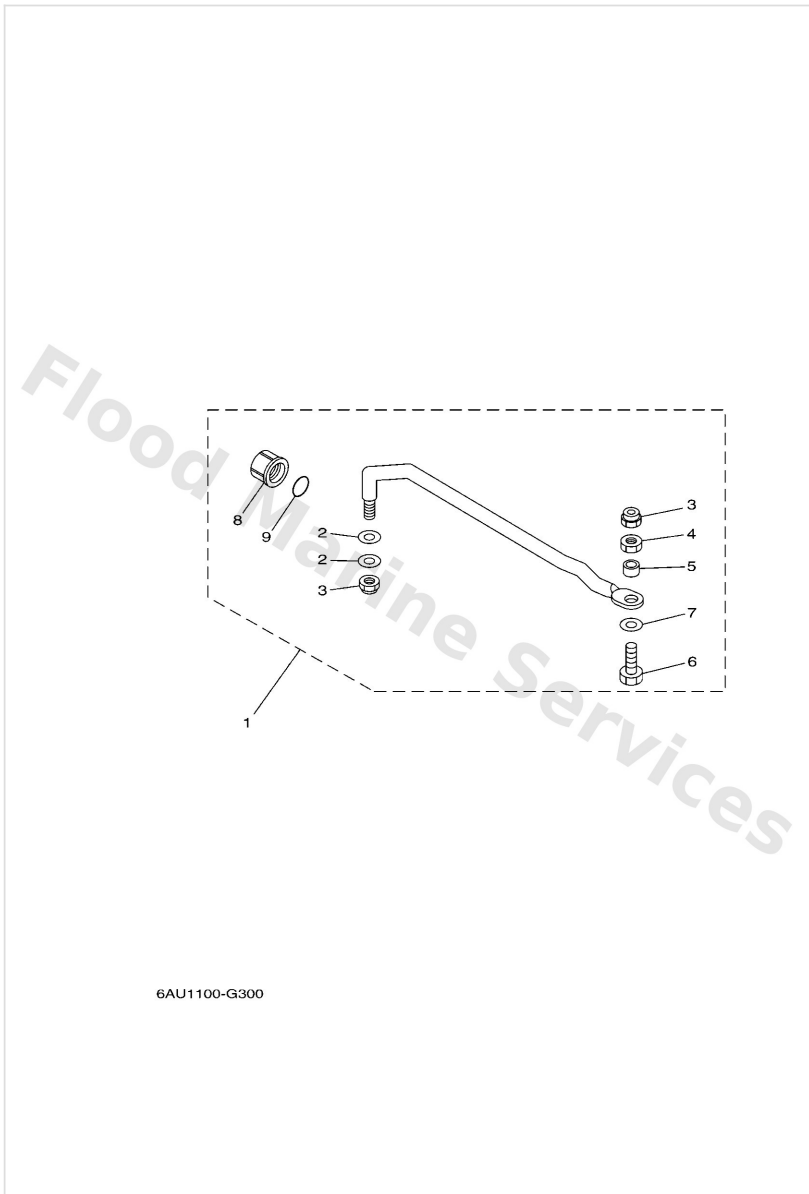


  
6FW4100-S160

Ref	Part	
16	<a href="#">9020108065</a> Washer, plate	<a href="#">Buy now</a>
17	<a href="#">68T4315500</a> Mark 1	<a href="#">Buy now</a>
18	<a href="#">90201106M5</a> Washer, plate(3gm)	<a href="#">Buy now</a>

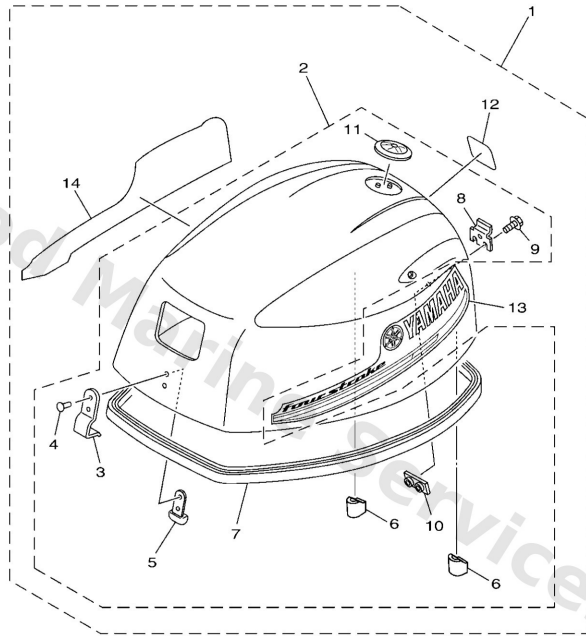


# Steering Guide



Ref	Part	
1	<a href="#">68T6135010</a> Steering guide attachment kit AP	<a href="#">Buy now</a>
2	<a href="#">9020110M20</a> Washer, plate (663)	<a href="#">Buy now</a>
3	<a href="#">9018509M01</a> Nut, nylon (663)	<a href="#">Buy now</a>
4	<a href="#">9017009M03</a> Nut (689)	<a href="#">Buy now</a>
5	<a href="#">9038710M42</a> Coller (688)	<a href="#">Buy now</a>
6	<a href="#">6E56135500</a> Bolt	<a href="#">Buy now</a>
7	<a href="#">9020110081</a> Washer, plate	<a href="#">Buy now</a>
8	<a href="#">6E54314501</a> Cap, clamp bracket	<a href="#">Buy now</a>
9	<a href="#">9321016275</a> O-ring	<a href="#">Buy now</a>

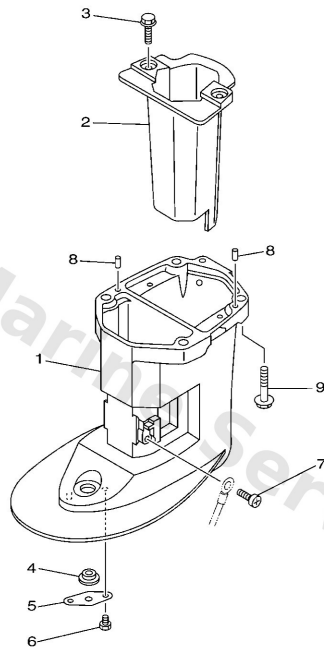
# Top Cowling



  
6FW3100-R020

Ref	Part	
1	<a href="#">6MC4261000</a> Top cowling assembly	<a href="#">Buy now</a>
2	<a href="#">6DR4261A02</a> Top cowling w/o graphics	<a href="#">Buy now</a>
3	<a href="#">6DR4265100</a> Hook	<a href="#">Buy now</a>
4	<a href="#">9026604005</a> Rivet	<a href="#">Buy now</a>
5	<a href="#">6DR4264901</a> Holder, clamp band	<a href="#">Buy now</a>
6	<a href="#">6BG4266201</a> Damper	<a href="#">Buy now</a>
7	<a href="#">60R4261500</a> Seal	<a href="#">Buy now</a>
8	<a href="#">60R4265200</a> Hook	<a href="#">Buy now</a>
9	<a href="#">9759505514</a> Bolt, w/ plain	<a href="#">Buy now</a>
10	<a href="#">68T4264900</a> Holder, clamp band	<a href="#">Buy now</a>
11	<a href="#">6AH4269710</a> Tuning fork mark	<a href="#">Buy now</a>
12	<a href="#">6MC4267800</a> Graphic, rear	<a href="#">Buy now</a>
13	<a href="#">60R4267501</a> Graphic, side 1	<a href="#">Buy now</a>
14	<a href="#">60R4267611</a> Graphic, side 2	<a href="#">Buy now</a>

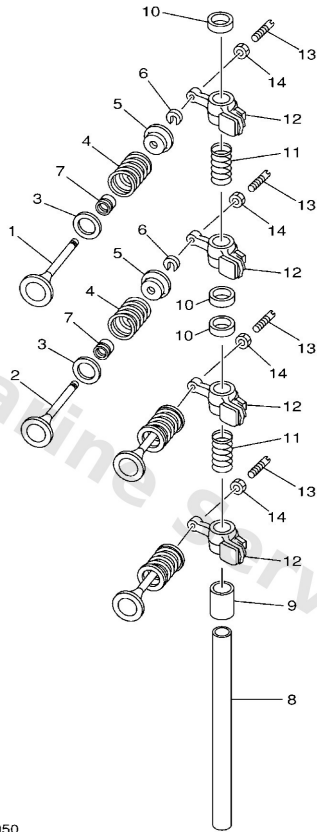
# Upper Casing



  
6AU4110-K250

Ref	Part	
1	<a href="#">6AU45111008D</a> Casing, upper S(17.0")	<a href="#">Buy now</a>
1	<a href="#">6AU45111108D</a> Casing, upper L(22.0")	<a href="#">Buy now</a>
2	<a href="#">6AU1471100CA</a> Muffler 1	<a href="#">Buy now</a>
3	<a href="#">97E7506514</a> Bolt, hexagon w/w deep recess	<a href="#">Buy now</a>
4	<a href="#">9048014M54</a> Grommet	<a href="#">Buy now</a>
5	<a href="#">68T4532100</a> Plate	<a href="#">Buy now</a>
6	<a href="#">97D9506008</a> Bolt, hexagon deep recess	<a href="#">Buy now</a>
7	<a href="#">9788505008</a> Screw, pan head	<a href="#">Buy now</a>
8	<a href="#">9360412M07</a> Pin, dowel (688)	<a href="#">Buy now</a>
9	<a href="#">97E7508535</a> Bolt, hexagon w/w deep recess	<a href="#">Buy now</a>

# Valve



  
68R0010-0050

Ref	Part	
1	<a href="#">6AU1211100</a> Valve, intake	<a href="#">Buy now</a>
2	<a href="#">6AU1212100</a> Valve, exhaust	<a href="#">Buy now</a>
3	<a href="#">68T1211600</a> Seat, valve spring	<a href="#">Buy now</a>
4	<a href="#">60R1211300</a> Spring, valve inne	<a href="#">Buy now</a>
5	<a href="#">7NJ1211700</a> Retainer, valve spring	<a href="#">Buy now</a>
6	<a href="#">7NJ1211800</a> Cotter, valve	<a href="#">Buy now</a>
7	<a href="#">51Y1211900</a> Seal, valve stem	<a href="#">Buy now</a>
8	<a href="#">68T1214600</a> Shaft, rocker	<a href="#">Buy now</a>
9	<a href="#">9038713M56</a> Collar (6g8)	<a href="#">Buy now</a>
10	<a href="#">9038714M03</a> Collar	<a href="#">Buy now</a>
11	<a href="#">9050112M40</a> Spring, compression (6g8)	<a href="#">Buy now</a>
12	<a href="#">68T1215100</a> Arm, valve rocker	<a href="#">Buy now</a>
13	<a href="#">6G81215900</a> Screw, valve adjusting	<a href="#">Buy now</a>
14	<a href="#">6G81215800</a> Nut, lock	<a href="#">Buy now</a>

# Disclaimer

This document is provided for convenience only. It is **not** an official Yamaha publication and is **not supplied, endorsed, or approved** by Yamaha Motor Co., Ltd.

Reasonable efforts are made to keep information accurate; however diagrams, part references, supersessions, descriptions, and applicability may contain errors or omissions. Specifications and part availability may change without notice.

You are responsible for confirming the correct parts for your engine (including model code, year, serial range, and any superseded part numbers) before ordering or fitting.