



Yamaha F8CMH 2003

Parts Manual

www.floodmarine.co.uk

+44 2882 246 539

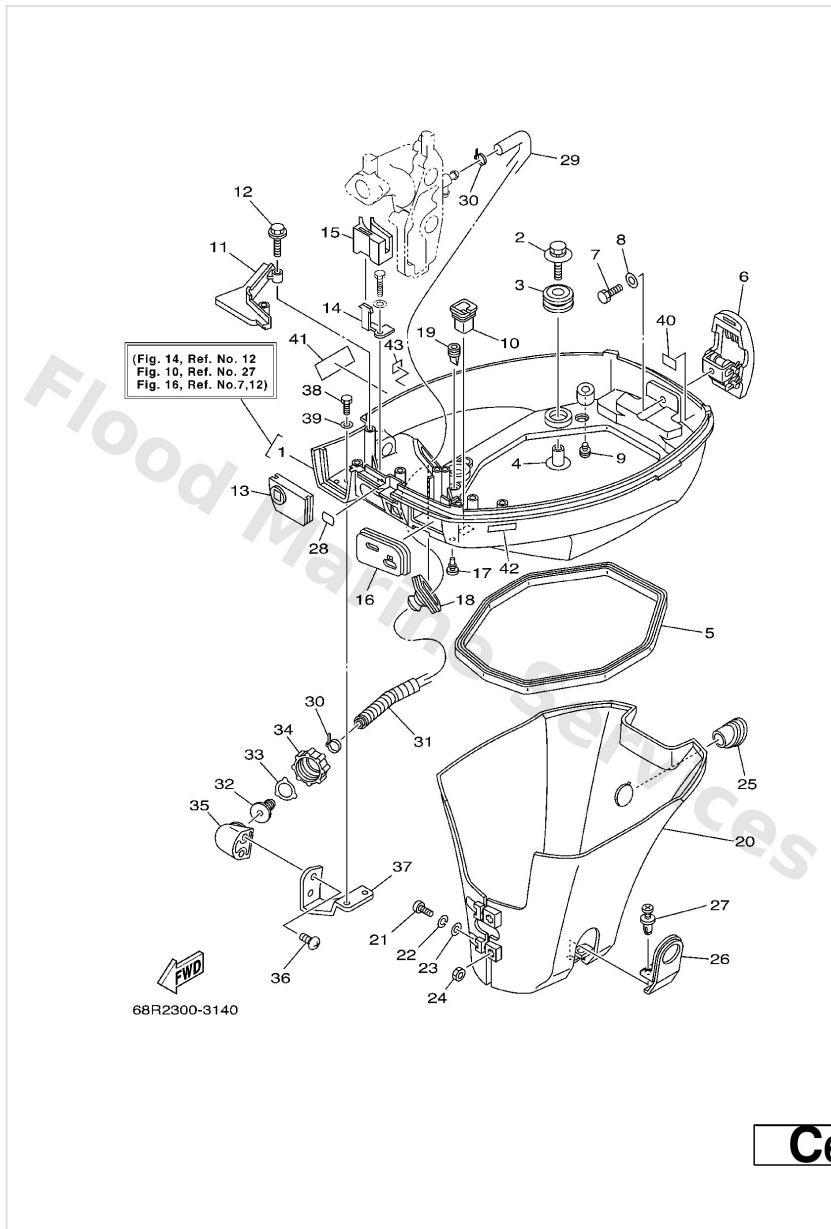
Authorised Yamaha Dealers



Contents

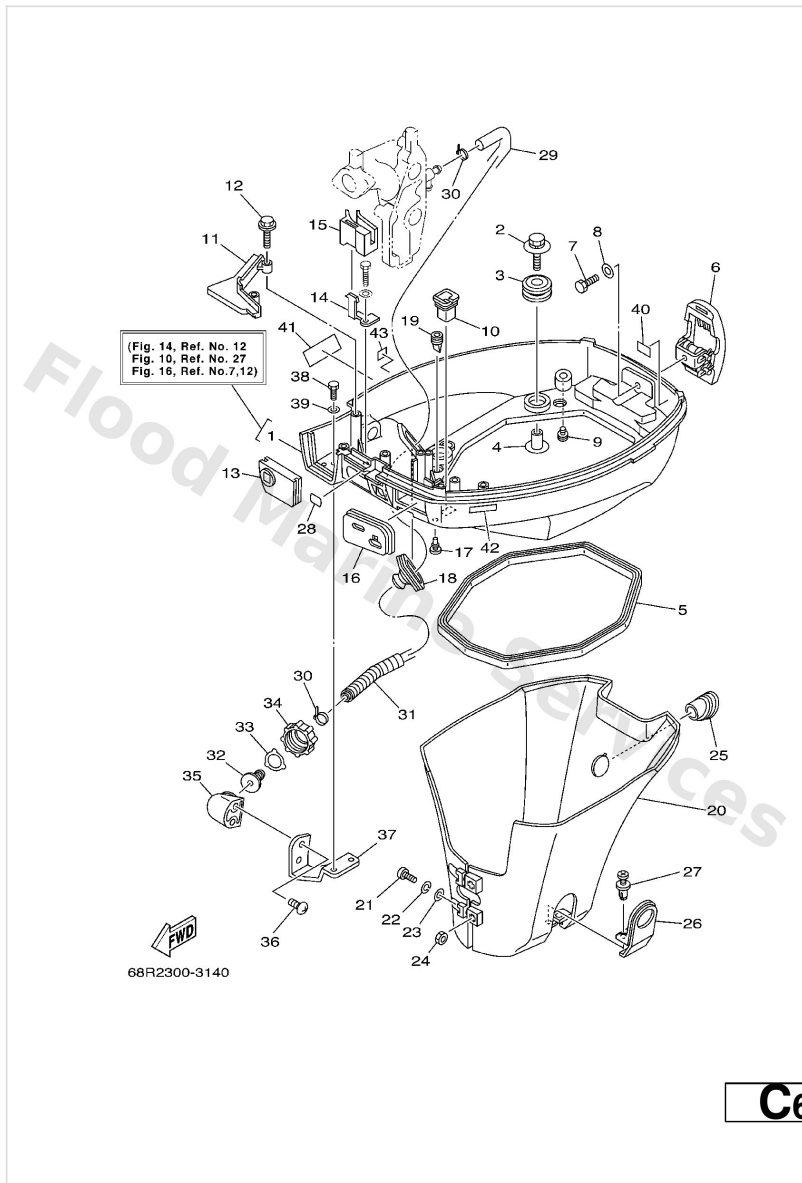
BOTTOM COWLING	3
BRACKET 1	6
BRACKET 2	9
CARBURETOR	11
CONTROL	13
CRANKSHAFT. PISTON	15
CYLINDER. CRANKCASE 1	17
CYLINDER. CRANKCASE 2	18
ELECTRICAL 1	20
ELECTRICAL 2	22
FUEL	23
FUEL TANK 1	26
FUEL TANK 2	27
GENERATOR	28
INTAKE	30
LOWER CASING. DRIVE 1	32
LOWER CASING. DRIVE 2	37
OIL PAN	39
OIL PUMP	41
OPTIONAL PARTS	43
REPAIR KIT 1	46
REPAIR KIT 2	48
REPAIR KIT 3	49
STARTER	51
STEERING	54
STEERING GUIDE	56
TOP COWLING	57
UPPER CASING	59
VALVE	60

Bottom Cowling



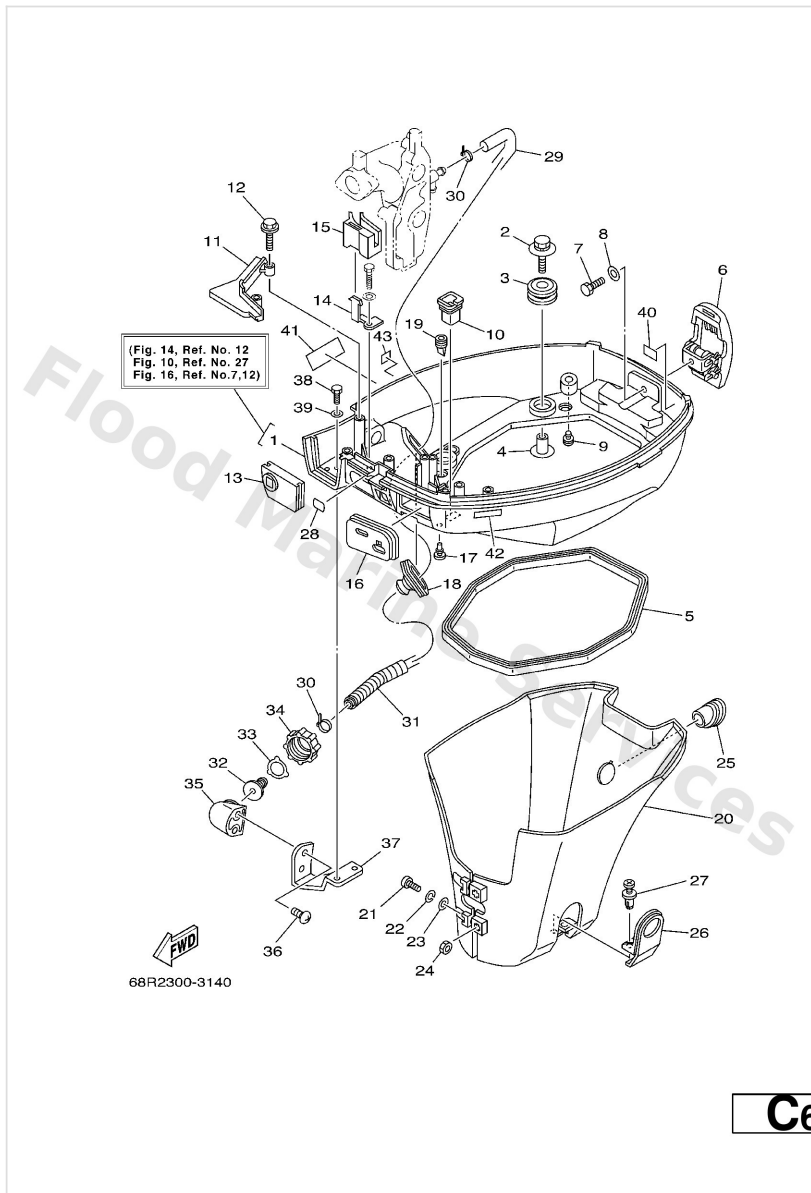
Ref	Part	
1	68T-42710-00-4D Bottom Cowling assembly WITH TAPPING BOLT	Buy now
2	68F-85119-00 Bolt	Buy now
3	90480-21M82 Grommet	Buy now
4	90387-06053 Collar	Buy now
5	68T-42716-10 Rubber, seal 1	Buy now
6	68T-42801-00 Cowling clamp comp.	Buy now
7	97095-06012 Bolt(gh1)	Buy now
39	92995-06600 Washer, plain (646) FLUSHING KIT	Buy now
9	6H3-44391-01 Nipple, hose	Buy now
10	682-42727-00 Grommet	Buy now
11	68T-42738-00-4D Plate, fitting	Buy now
12	90109-06M81 Bolt	Buy now
13	68T-42725-00 Grommet	Buy now
14	68T-26393-00 Holder	Buy now
15	68T-26367-00 Protector	Buy now

Bottom Cowling



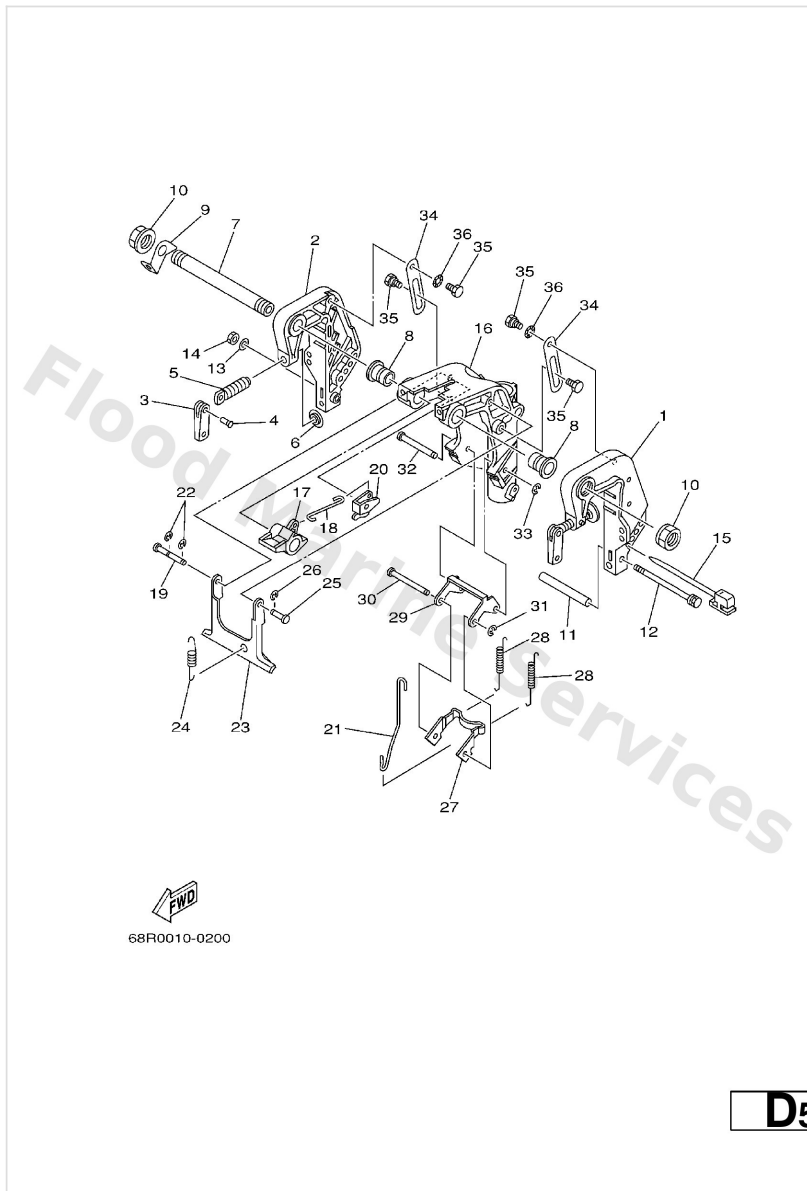
Ref	Part	
16	68T-42724-00 Grommet	Buy now
17	90480-06M19 Grommet (6e3)	Buy now
18	688-42726-10 Grommet FOR FLUSHING KIT	Buy now
19	65W-42717-00 Rubber, seal 2	Buy now
20	68T-42741-00 Apron	Buy now
21	97885-06030 Screw, pan head(6e0)	Buy now
22	92995-06100 Washer(6a1)	Buy now
24	95380-06600 Nut(661)	Buy now
25	68T-42717-00 Rubber, seal 2	Buy now
26	68T-42771-00 Apron	Buy now
27	90338-06M20 Plug	Buy now
28	65W-84342-00 Seat, emblem	Buy now
29	6E5-12481-00 Pipe 1 FLUSHING KIT	Buy now
30	90465-11M10 Clamp FLUSHING KIT	Buy now
31	90447-13M00 Hose, with spring FLUSHING KIT	Buy now

Bottom Cowling



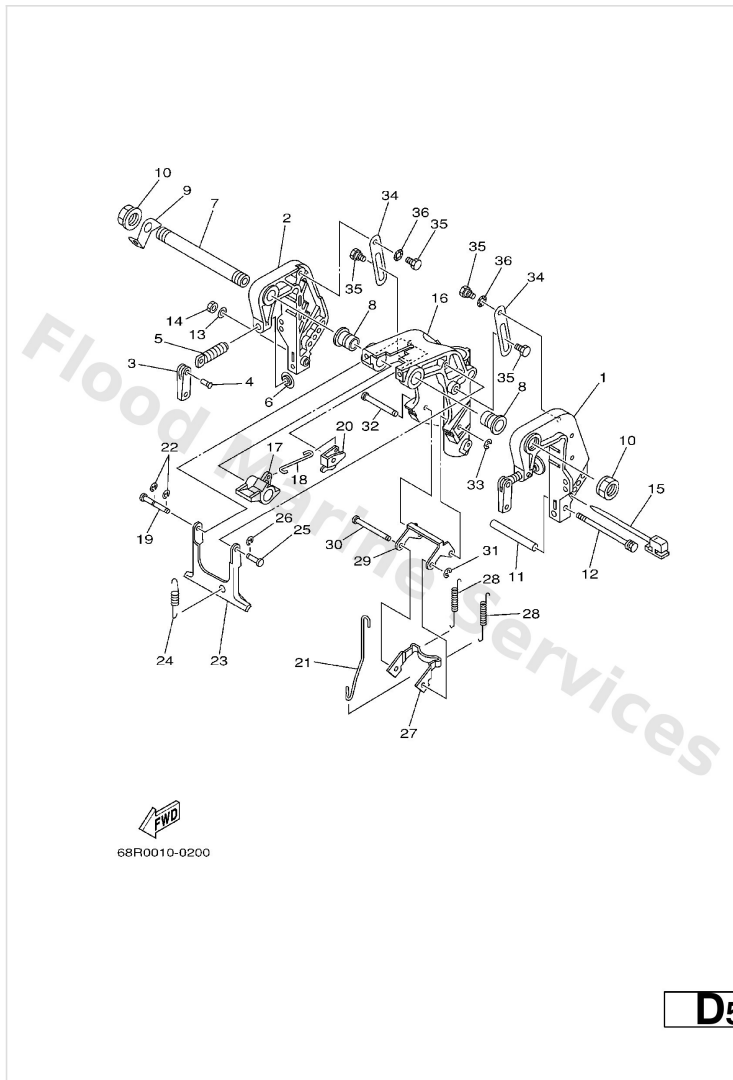
Ref	Part	
32	6R3-12582-00 Joint, hose 2 FLUSHING KIT	Buy now
33	6R3-12583-00 Gasket, hose joint FLUSHING KIT	Buy now
34	6R3-12581-00 Joint, hose 1 FLUSHING KIT	Buy now
35	68T-12572-00 Adapter FLUSHING KIT	Buy now
36	90167-06002 Screw, tapping FLUSHING KIT	Buy now
37	68T-12535-00 Plate FLUSHING KIT	Buy now
38	97095-06010 Bolt FLUSHING KIT	Buy now
40	6H8-42791-10 Mark 1	Buy now
41	62Y-13444-50 Mark	Buy now
42	6E3-8257H-00 Plate Mark	Buy now
43	6A1-28176-00 Label Caution	Buy now

Bracket 1



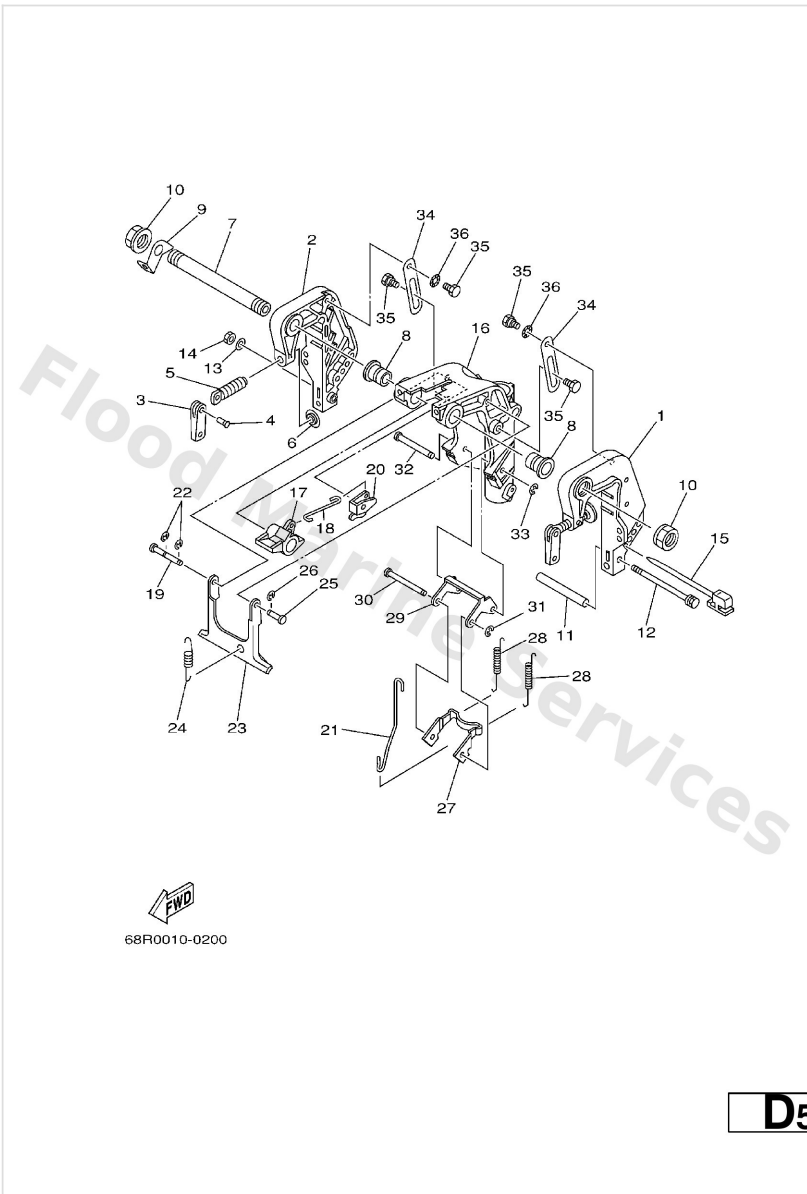
Ref	Part	
1	68T-43111-01-4D Bracket clamp + screw	Buy now
2	68T-43112-01-4D Bracket clamp + screw	Buy now
3	6E0-43118-01 Handle, transom clamp	Buy now
4	90243-04M01 Pin(6a1)	Buy now
5	677-43116-01 Screw, transom clamp.	Buy now
6	648-43114-01 Pad, transom clamp	Buy now
7	63V-43131-10 Bolt, clamp bracket FOR RIDE GUIDE	Buy now
8	90386-22MA4 Bush	Buy now
9	66R-43113-00 Plate, clamp bracket	Buy now
10	90185-22043 Nut, self-locking	Buy now
11	90387-06M13 Collar(6h6)	Buy now
12	90101-06M18 Bolt(6I5)	Buy now
13	92990-06600 Washer, plain (646)	Buy now
14	95380-06700 Nut	Buy now
15	6L2-43160-00 Tilt rod assembly	Buy now

Bracket 1



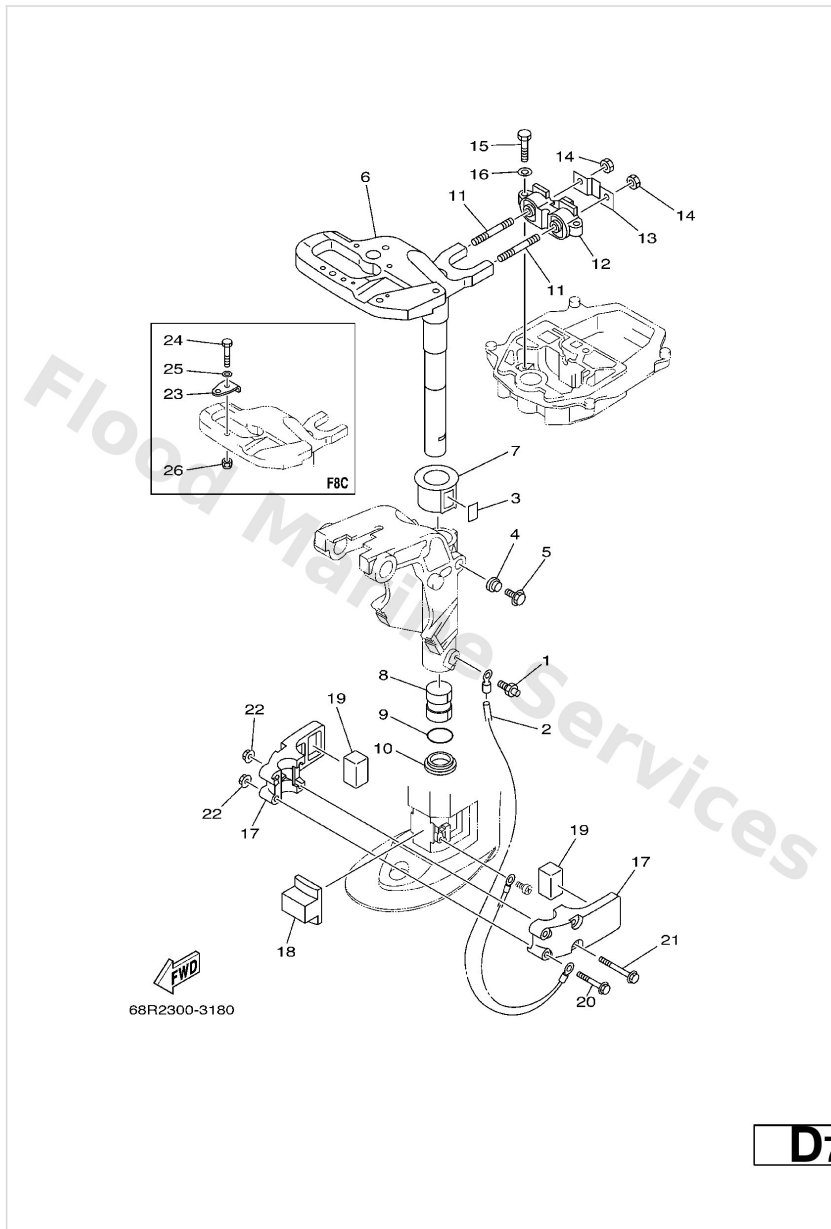
Ref	Part	
16	68T-43311-00-4D Bracket, Swivel 1 S	Buy now
16	68T-43311-10-4D Bracket swivel1 L	Buy now
17	68T-43631-00 Lever Tilt	Buy now
18	68T-43616-00 Rod Tilt Lock	Buy now
19	68T-43646-00 Shaft, lever	Buy now
20	68T-43641-00 Lever, tilt	Buy now
21	68T-43617-00 Rod, tilt lock	Buy now
22	99080-05600 Circlip(22k)	Buy now
23	68T-43350-00 Receiver assembly	Buy now
24	90506-18M41 Spring, tension S	Buy now
24	90506-20005 Spring, tension L	Buy now
25	63V-43191-00 Shaft, stopper	Buy now
27	68T-43614-00 Plate, tilt lock	Buy now
28	90506-20M42 Spring, Tension S	Buy now
28	90506-23003 Spring, Tension L	Buy now

Bracket 1



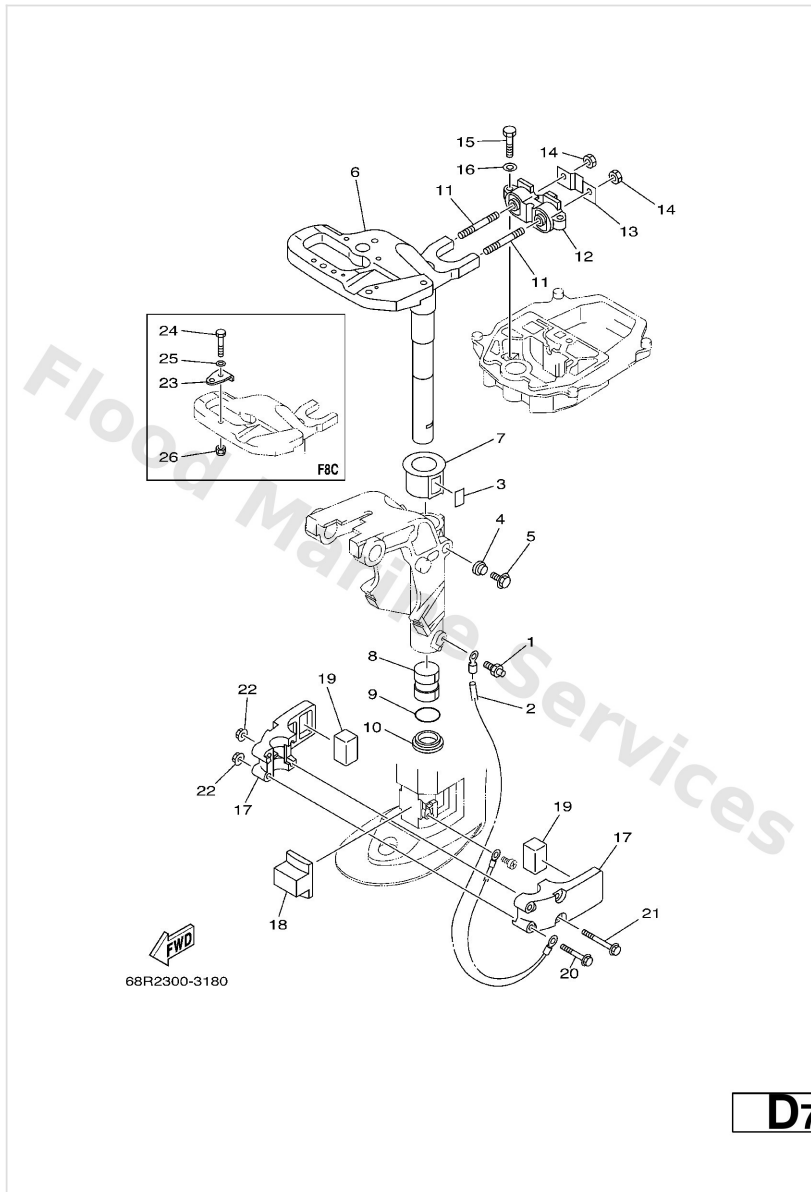
Ref	Part	
29	68T-43615-00 Plate, tilt lock	Buy now
30	68T-43611-00 Shaft, tilt lock	Buy now
31	93430-04M03 Circlip (eu0)	Buy now
32	68T-43659-00 Shaft, reverse lock	Buy now
34	68T-43627-00 Stopper	Buy now
35	90109-06M84 Bolt	Buy now
36	90206-10M24 Washer, wave	Buy now

Bracket 2



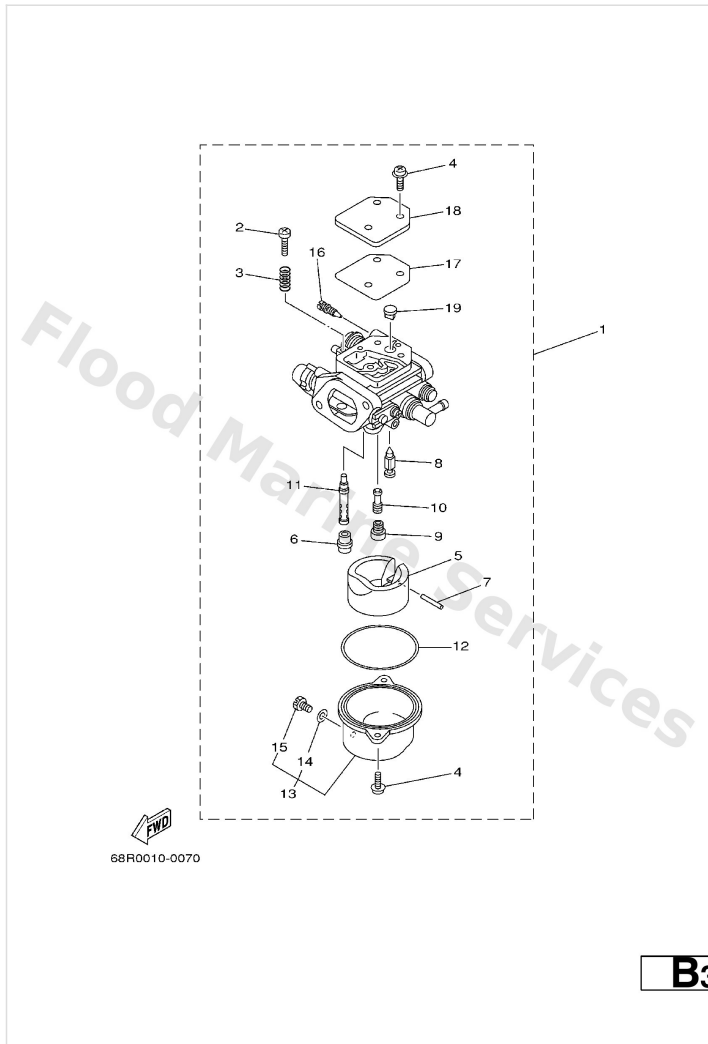
Ref	Part	
1	93700-06M03 Nipple, grease(6a1)	Buy now
2	68T-82127-00 Wire, lead 2	Buy now
3	63V-42528-00 Plate, friction	Buy now
4	689-43373-01 Seal, damper	Buy now
5	90105-06M07 Bolt (689)	Buy now
6	68T-42511-01-4D Bracket, Steering S	Buy now
6	68T-42511-11-4D Bracket, steering L	Buy now
7	63V-42537-00 Bushing, pivot shaft	Buy now
8	90386-30048 Bush	Buy now
9	93210-29M94 O-ring(6h1)	Buy now
10	90386-30M60 Bush(6j8)	Buy now
11	90116-08M54 Bolt, stud(63v)	Buy now
12	68T-44517-00-94 Mount rubber	Buy now
13	68T-44526-00 Plate	Buy now
14	95380-08600 Nut (661)	Buy now

Bracket 2



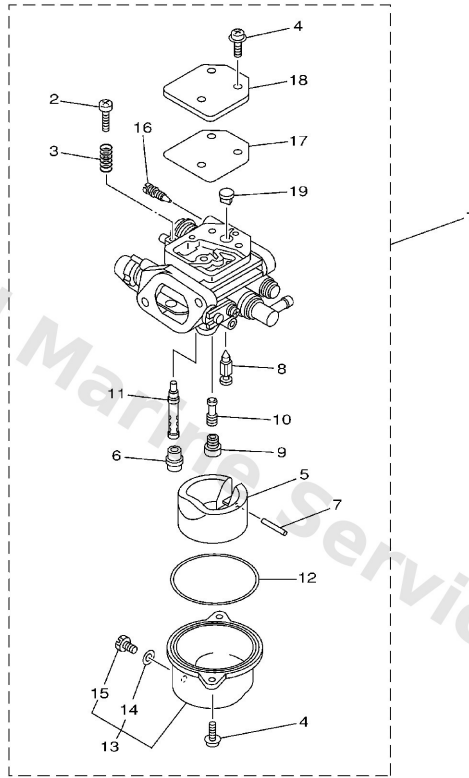
Ref	Part	
15	97075-06025 Bolt	Buy now
16	92995-06600 Washer, plain (646)	Buy now
17	68T-44551-00-4D Housing, lower mount rubber 1	Buy now
18	68T-44557-00 Mount Damper Lower Front	Buy now
19	682-44555-00 Mount damper, lower side	Buy now
20	90119-06012 Bolt, with washer	Buy now
21	90119-06013 Bolt, with washer	Buy now
22	90179-06M28 Nut(63v)	Buy now
23	63V-48511-01 Hook, steering AP F8C	Buy now
24	97075-08035 Bolt(70w) AP F8C	Buy now
25	92995-08600 Washer, plain (663) AP F8C	Buy now
26	90185-08057 Nut, nylon (6j8) AP F8C	Buy now

Carburetor



Ref	Part	
1	68R-14301-A0 Carburetor assembly 1 F6A	Buy now
1	68R-14301-C0 Carburetor assembly 1 F6A	Buy now
1	68T-14301-00 Carburetor & accel link 68t00 F8C	Buy now
1	68T-14301-20 Carburetor & accel link 68t20 F8C	Buy now
1	69F-14301-C0 Carburetor assembly 1 F6B	Buy now
2	6E5-14321-00 Screw, throttle	Buy now
3	6J8-14334-00 Spring, throttle	Buy now
4	97980-04112 Screw, pan head (686)	Buy now
5	68T-14385-00 Float	Buy now
6	67D-14966-00 Rubber cap	Buy now
7	67D-14386-00 Pin, float	Buy now
8	68T-14546-00 Valve, needle	Buy now
9	68R-1492E-2H Jet, Main (#55) F6A,F6B	Buy now
9	68T-1492E-37 Jet, main (#74) F8C	Buy now
10	68R-1492F-18 Jet, air slow F6A,F6B	Buy now

Carburetor

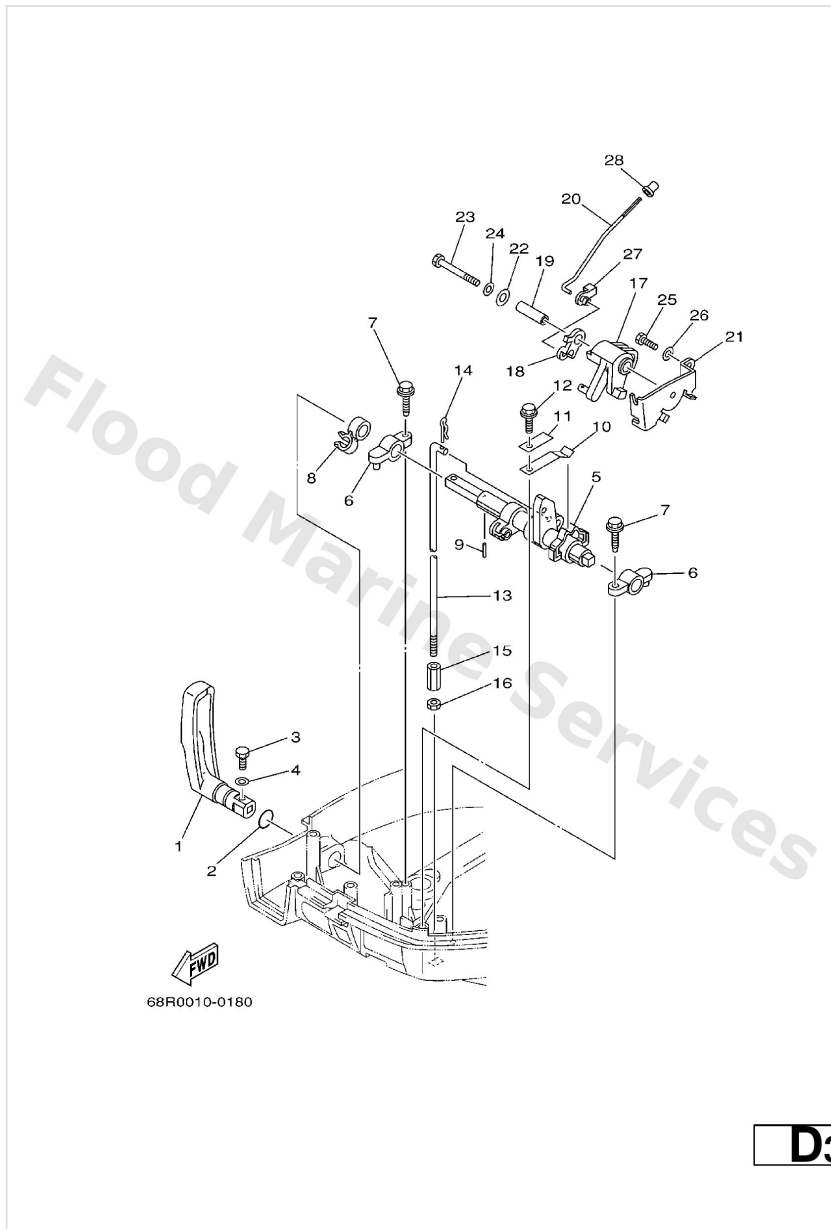


 68R0010-0070

B3

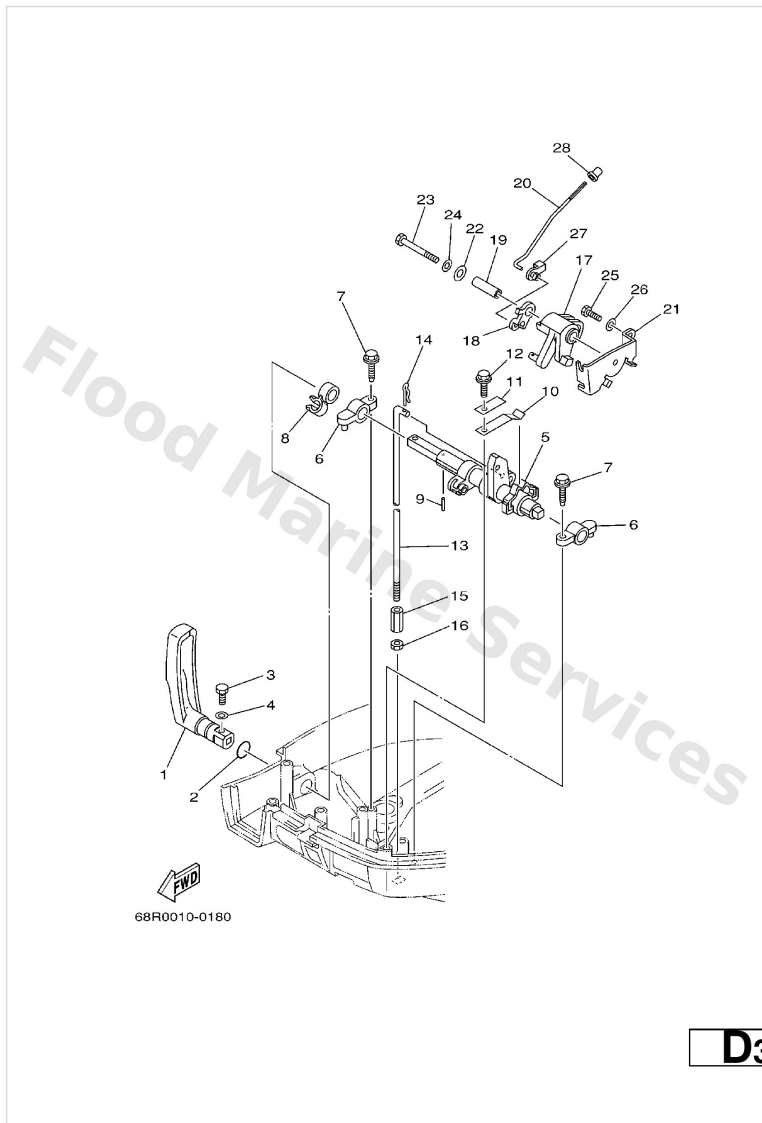
Ref	Part	
10	68T-1492F-1K Jet, air slow (#39) F8C	Buy now
11	68T-1492A-00 Nozzle, main	Buy now
12	67D-14984-00 Gasket, float chamber	Buy now
13	68T-14981-00 Body, float chamber	Buy now
14	6J8-14959-00 Gasket, drin screw	Buy now
15	66T-14991-00 Plug, drain	Buy now
16	67D-14323-00 Screw, air adjusting	Buy now
16	68T-14323-20 Screw Air Adjusting	Buy now
17	67D-14536-00 Gasket	Buy now
18	67D-14527-00 Plate	Buy now
19	68T-14126-00 Plug	Buy now

Control



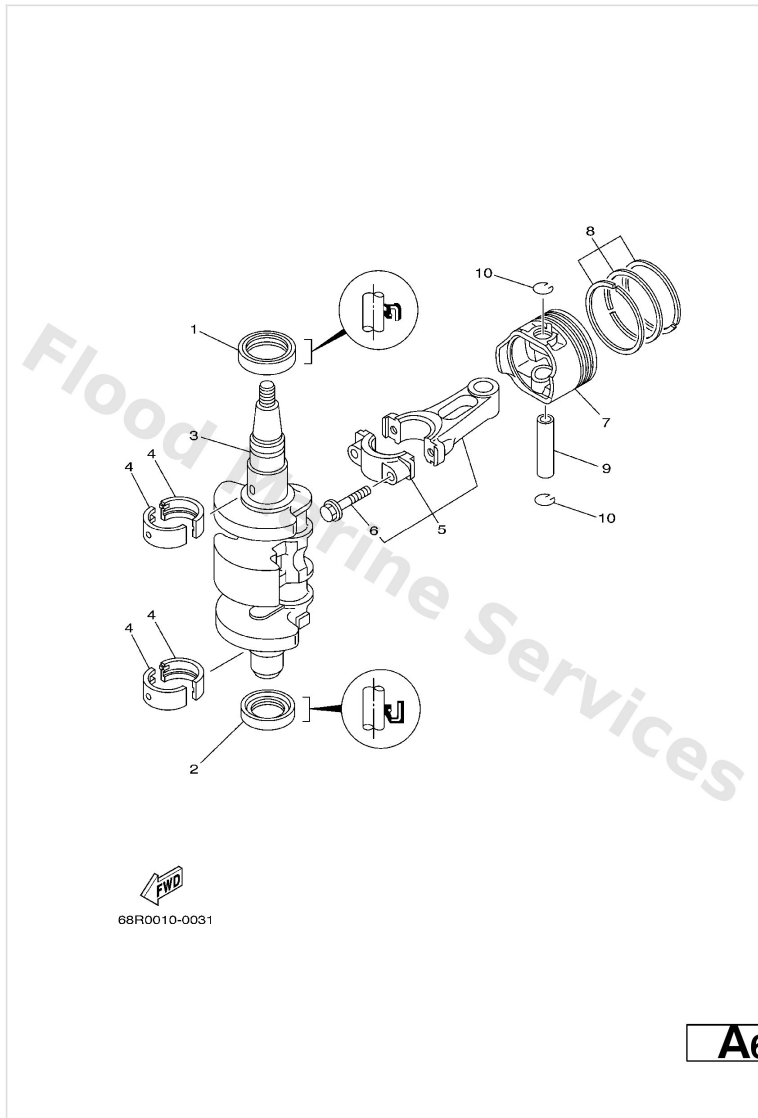
Ref	Part	
1	68T-44111-00 Handle, gear shift	Buy now
2	93210-12327 O-ring(3Id)	Buy now
3	97095-05016 Bolt(6a1)	Buy now
4	92995-05600 Washer, plain (646)	Buy now
5	68T-44121-01 Lever, shift rod	Buy now
6	6G1-41662-01-94 Bracket	Buy now
7	90109-06M81 Bolt	Buy now
8	90464-10M60 Clamp	Buy now
9	91690-30014 Pin, spring (647)	Buy now
10	65W-44116-00 Spring	Buy now
11	66R-44114-00 Stopper	Buy now
12	90109-06M86 Bolt	Buy now
13	68T-44143-00 Rod, shift 1 S	Buy now
13	68T-44143-10 Rod, shift 1 L	Buy now
14	90468-18001 Clip	Buy now

Control



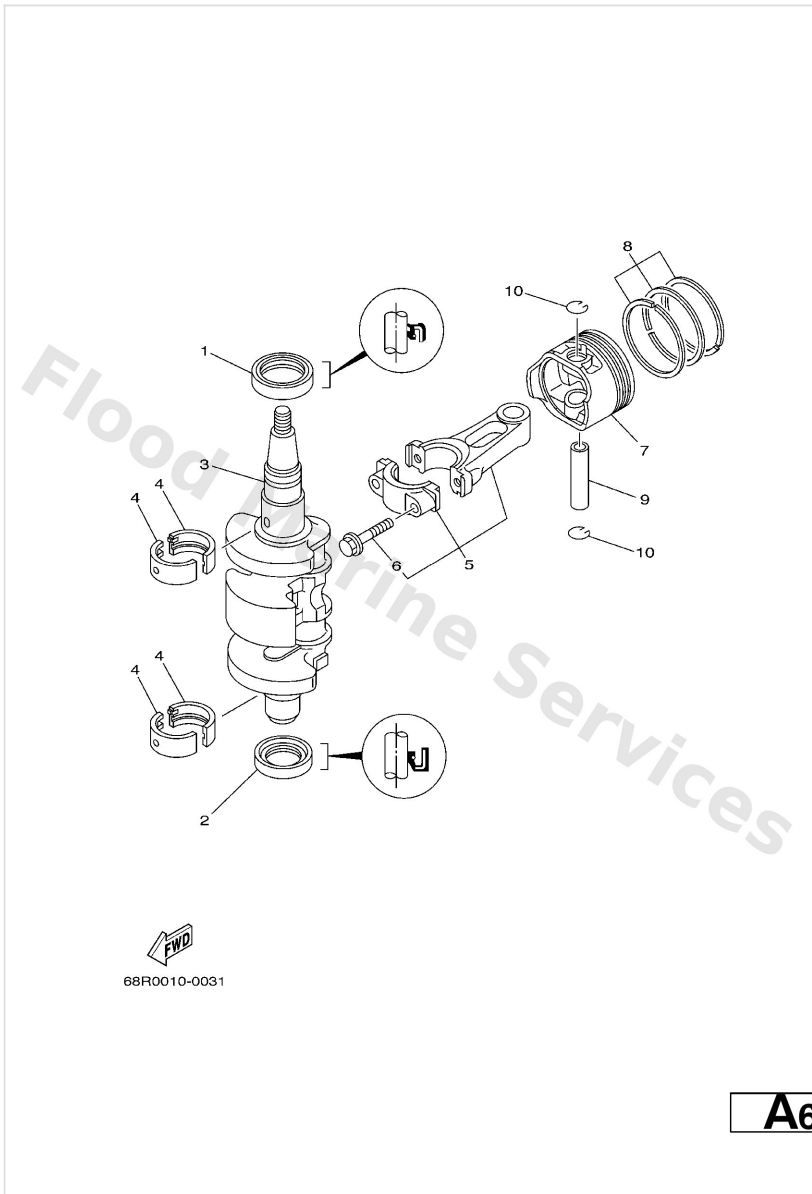
Ref	Part	
15	90170-06015 Connector, shift rod	Buy now
16	95380-06700 Nut	Buy now
17	68T-41638-00 Pulley	Buy now
18	68R-41283-00 Lever Free Accel. F6B	Buy now
18	68T-41283-00 Lever, free accel. F6A,F8C	Buy now
19	90387-06M59 Collar (6h3)	Buy now
20	68T-41211-00 Link, accel. F6A,F8C	Buy now
20	69F-41211-00 Link, Accel. F6B	Buy now
21	68T-14497-00 Stay, throttle wire	Buy now
22	90201-06M62 Washer, plate (6e5)	Buy now
23	97095-06045 Bolt, hexagon	Buy now
24	92995-06600 Washer, plain (646)	Buy now
25	97095-06012 Bolt(gh1)	Buy now
27	661-41262-02 Joint, choke lever	Buy now
28	647-14395-60 Cap,over flow pipe	Buy now

Crankshaft. Piston



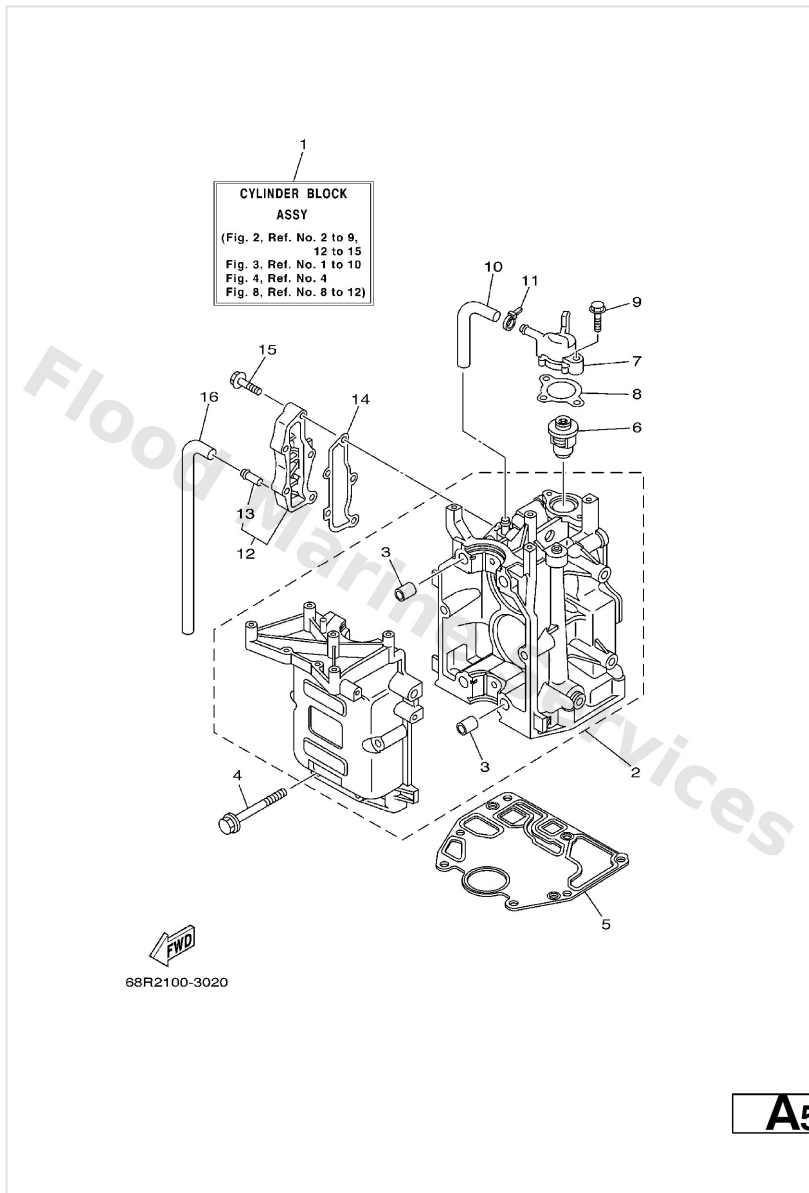
Ref	Part	
1	93102-30M22 Oil seal (6g8)	Buy now
2	93101-25M69 Oil seal	Buy now
3	68T-11411-00 Crankshaft	Buy now
4	68T-11416-00 Plane bearing, crankshaft 1 UR BROWN	Buy now
4	68T-11416-10 Plane bearing, crankshaft 1 UR BLACK	Buy now
4	68T-11416-20 Plane bearing, crankshaft 1 UR BLUE	Buy now
5	68T-11650-00 Connecting rod kit	Buy now
6	67D-11654-00 Bolt, connecting rod	Buy now
7	68T-11631-00-96 Piston (std)	Buy now
7	68T-11635-00 Piston (0.25mm o/s) AP	Buy now
7	68T-11636-00 Piston (0.50mm o/s) AP	Buy now
8	68T-11603-01 Piston ring set (std)	Buy now
8	68T-11604-01 Piston ring set (0.25mm o/s) AP	Buy now
8	68T-11605-01 Piston ring set (0.50mm o/s) AP	Buy now
9	68T-11633-00 Pin, piston	Buy now

Crankshaft. Piston



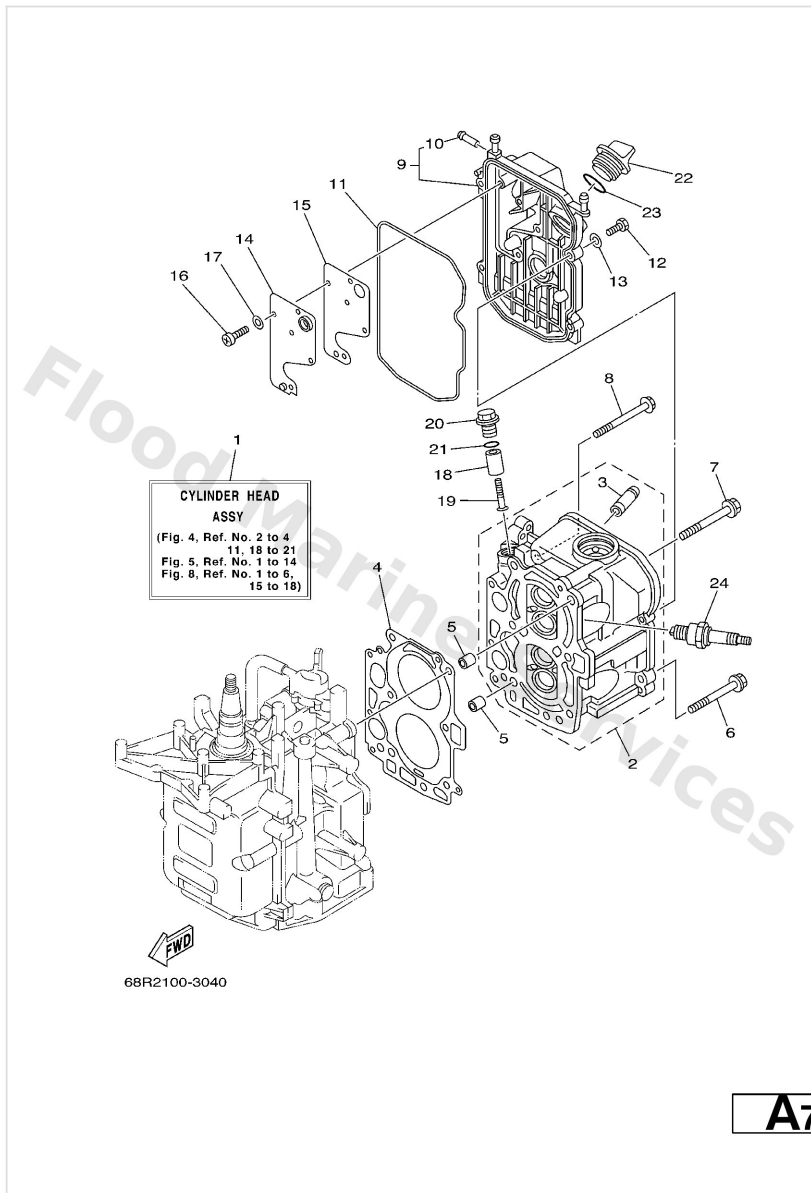
Ref	Part	
10	93450-15023 Circlip 131116340000	Buy now

Cylinder. Crankcase 1



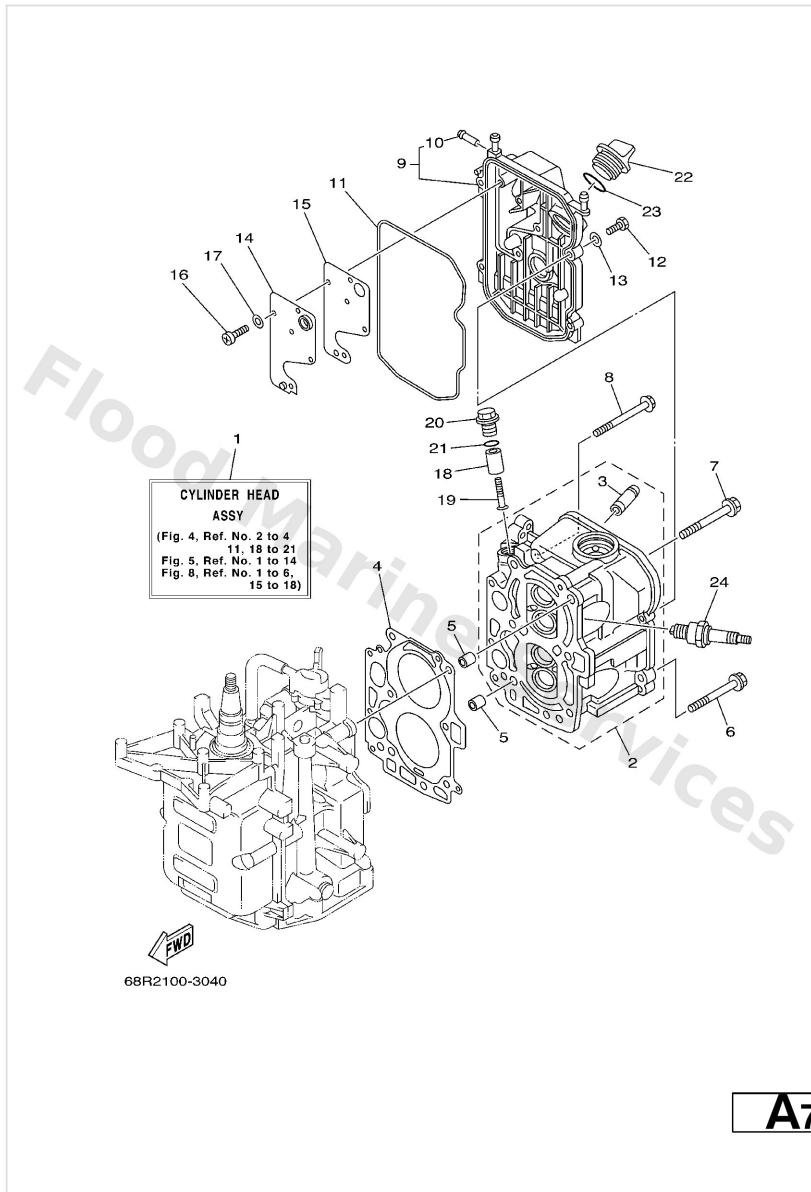
Ref	Part	
3	99530-12016 Pin, dowel	Buy now
4	90119-08M29 Bolt, with washer	Buy now
5	68T-11351-00 Gasket, cylinder	Buy now
6	66M-12411-00 Thermostat	Buy now
8	6G8-12414-A0 Gasket, cover	Buy now
9	90119-06MA2 Bolt, with washer	Buy now
10	68T-12481-00 Pipe 1	Buy now
11	90465-11M10 Clamp	Buy now
13	6E9-24378-00 Pipe, Joint 4	Buy now
14	68T-41114-A0 Gasket, exhaust outer cover	Buy now
15	90119-06MA3 Bolt, with washer	Buy now
16	68T-12482-00 Pipe 2	Buy now

Cylinder. Crankcase 2



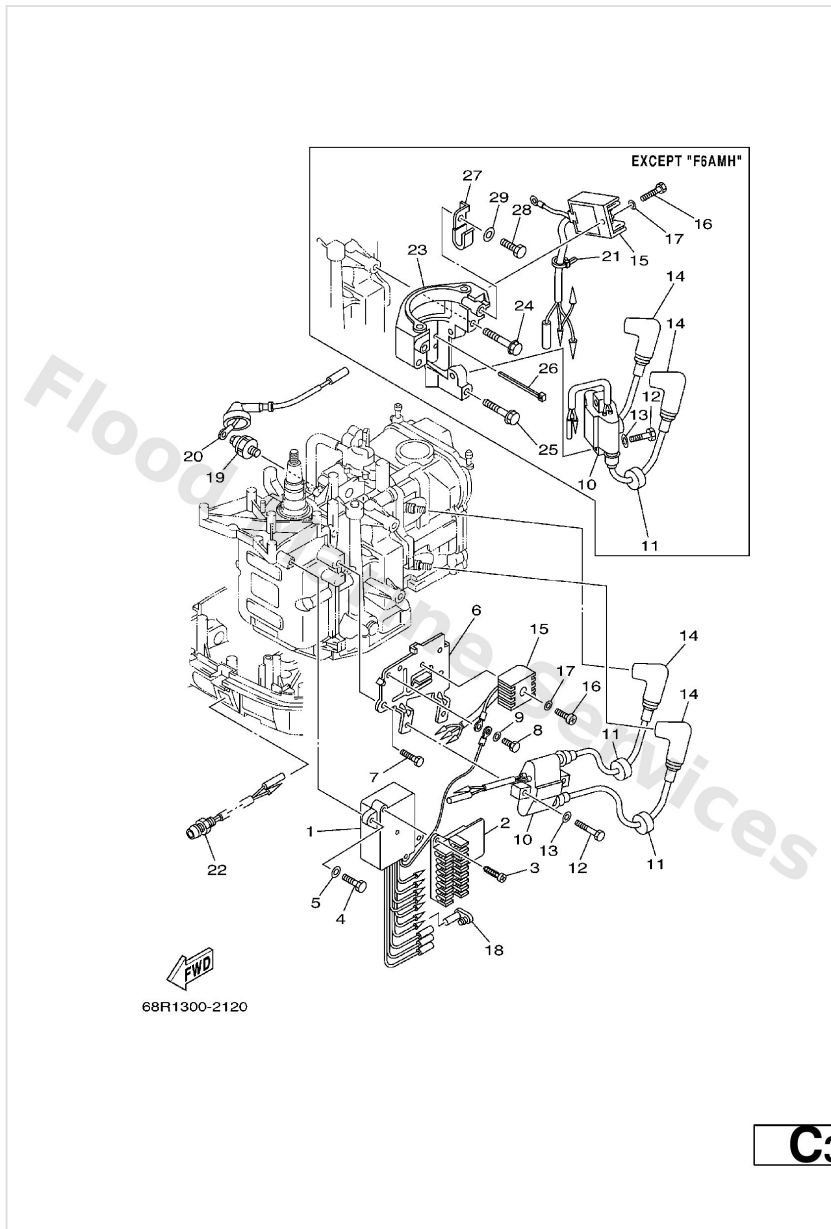
Ref	Part	
3	67D-11133-10 Guide, valve 1	Buy now
4	68T-11181-00 Gasket, cylinder head 1	Buy now
5	99510-10114 Pin, dowel(3vd)	Buy now
6	90105-08M36 Bolt (6g8)	Buy now
7	90105-08M78 Bolt, washer based	Buy now
8	90119-06049 Bolt, with washer	Buy now
10	650-24378-00 Pipe, joint 2	Buy now
11	68T-11356-00 Seal, cylinder 2	Buy now
12	97095-06020 Bolt(7u8)	Buy now
13	92995-06600 Washer, plain (646)	Buy now
14	68T-11168-00 Cover, breather	Buy now
15	68T-11169-A0 Gasket, breather cover	Buy now
16	98507-04010 Screw, pan head(6g8)	Buy now
17	92907-04600 Washer(jf2)	Buy now
18	6G8-11325-00 Anode	Buy now

Cylinder. Crankcase 2



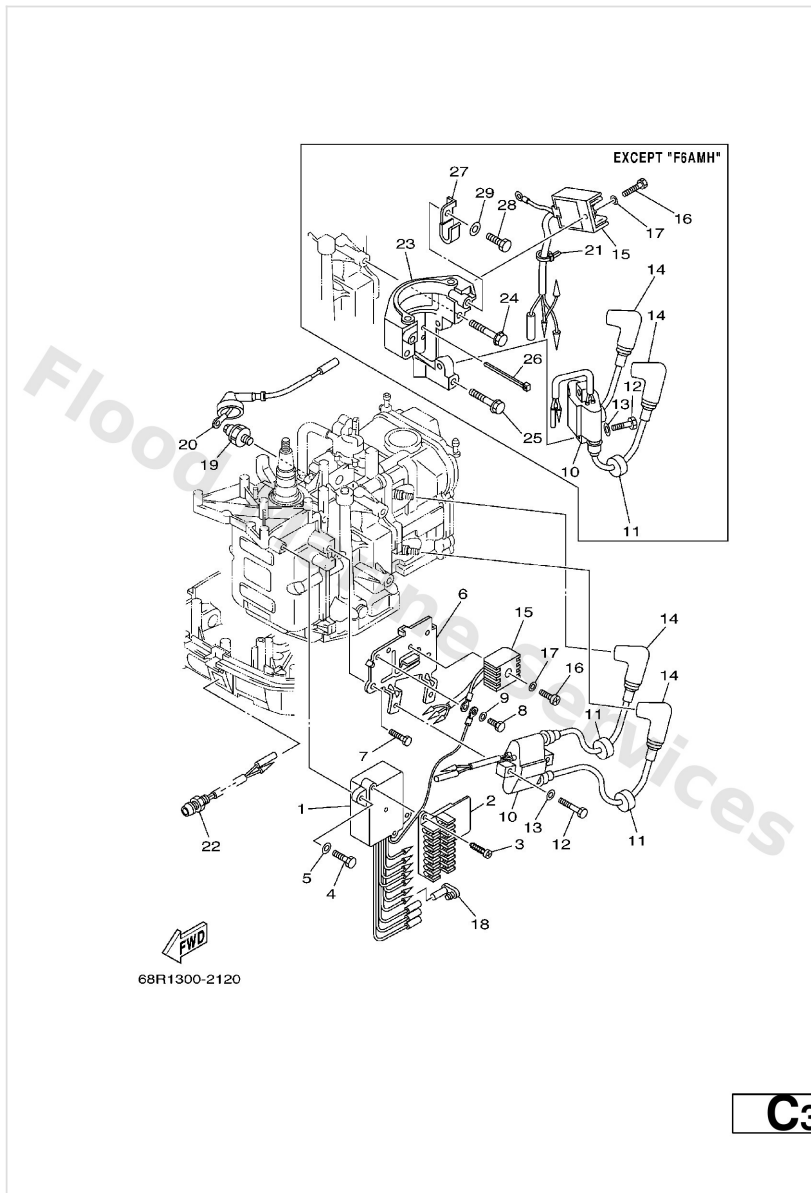
Ref	Part	
19	97880-05025 Screw, panhead (a93)	Buy now
20	6G8-11197-01 Plug, blind	Buy now
21	93210-13M63 O-ring (6g8)	Buy now
22	6G8-15363-00 Plug, oil	Buy now
23	93210-24M79 O-ring	Buy now
24	94702-00274 Plug, spark (br6hs-10)	Buy now

Electrical 1



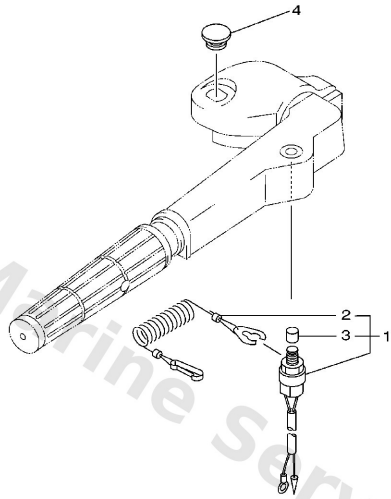
Ref	Part	
1	68T-85540-00 C.d.i. unit assembly F6A,F8C	Buy now
1	69F-85540-00 C.d.i. Unit assembly F6B	Buy now
2	68T-82522-00 Clamp, coupler	Buy now
3	97780-40512 Screw, pan head tapping	Buy now
4	97095-06020 Bolt(7u8)	Buy now
5	92995-06600 Washer, plain (646)	Buy now
6	68T-85542-00 Bracket	Buy now
7	97095-08012 Bolt, hexagon deep recess	Buy now
8	97095-06012 Bolt(gh1)	Buy now
10	680-85570-00 Ignition coil assembly	Buy now
11	90480-25161 Grommet(656)	Buy now
12	97095-06025 Bolt	Buy now
14	6E3-82370-21 Plug cap assembly	Buy now
15	664-81970-61 Rectifier assembly	Buy now
15	68T-81960-00 Rectifier & regulator assembly	Buy now

Electrical 1



Ref	Part	
16	97880-05025 Screw, panhead (a93)	Buy now
17	92990-05600 Washer, plain (646)	Buy now
18	6A0-82119-00 Cover, lead wire	Buy now
19	67F-82504-00 Oil pressure switch assembly	Buy now
20	68T-82127-10 Wire, lead 2	Buy now
21	90465-11M10 Clamp	Buy now
22	68T-85410-00 Emergency signal light assembly	Buy now
23	68T-81822-00-94 Bracket, starting motor	Buy now
24	90119-08046 Bolt, with washer	Buy now
25	90119-08020 Bolt, with washer	Buy now
27	90465-08M99 Clamp	Buy now

Electrical 2

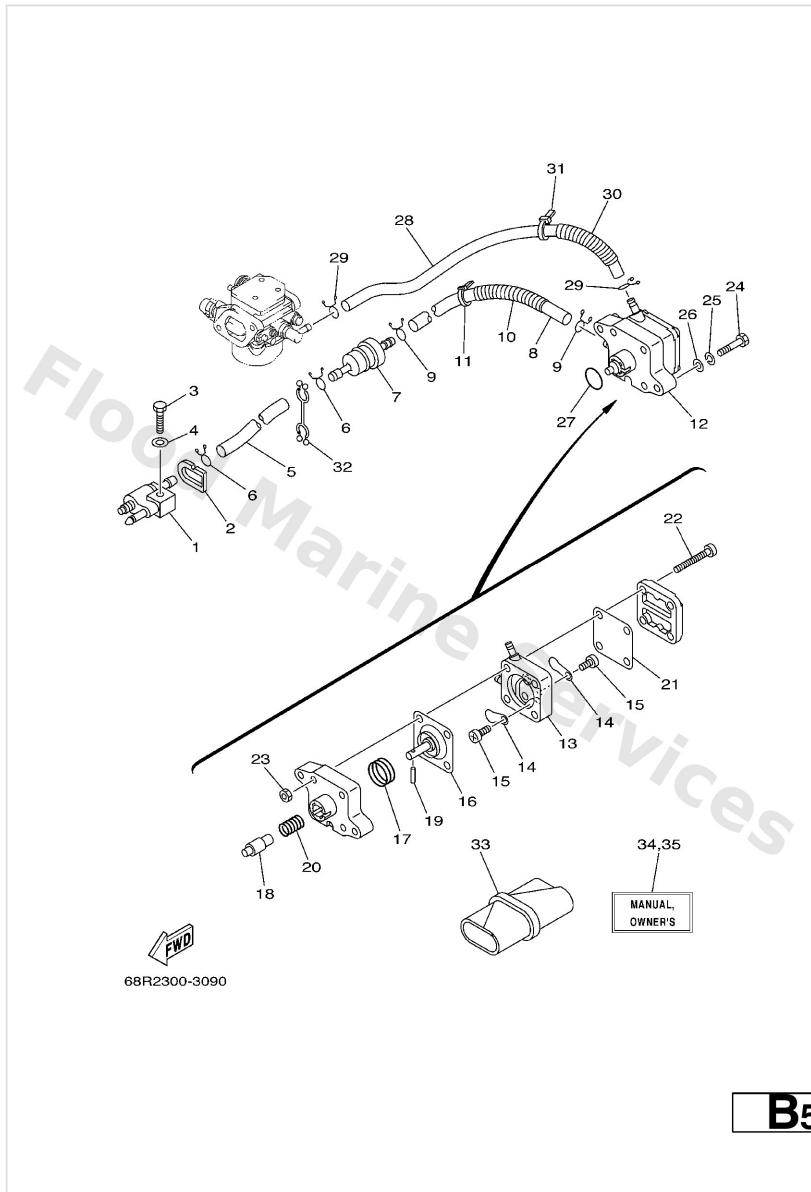


68R0300-0140

C5

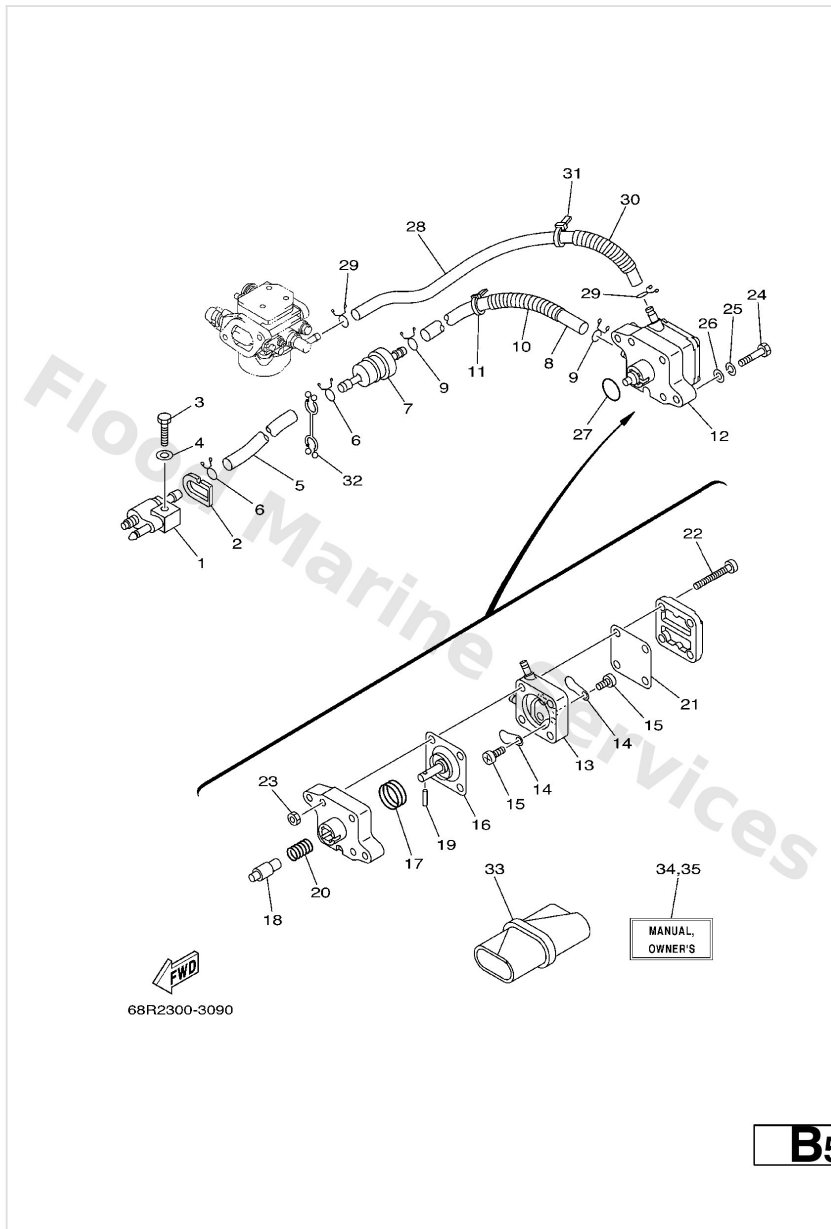
Ref	Part	
1	65W-82575-01 Engine stop switch assembly	Buy now
2	682-82556-00 Lanyard, stop switch	Buy now
3	689-8257Y-00 Cap	Buy now
4	6G1-42725-00 Grommet	Buy now

Fuel



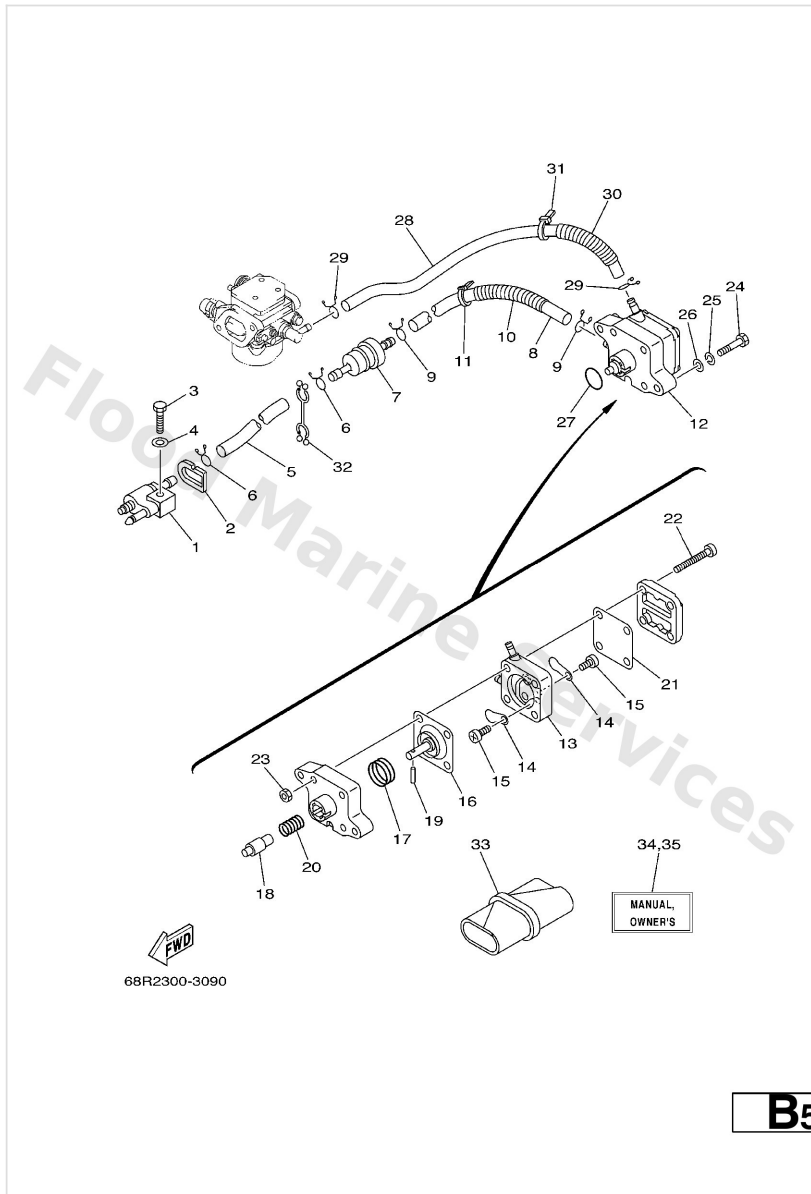
Ref	Part	
1	6G1-24304-02 Fuel pipe joint comp. 1	Buy now
2	61N-24329-00 Seal	Buy now
3	97095-06025 Bolt	Buy now
4	92995-06600 Washer, plain (646)	Buy now
5	90445-10M18 Hose (I400)	Buy now
6	90467-09M09 Clip(6k8)	Buy now
7	68T-24251-00 Strainer 1	Buy now
8	90445-10M50 Hose (I400)	Buy now
10	90446-14M66 Hose(64x)	Buy now
11	90465-11M10 Clamp	Buy now
12	68T-24410-00 Fuel pump assembly	Buy now
13	66M-24413-01 Body 2	Buy now
14	6A0-24421-01 Valve, check	Buy now
15	6E7-14325-00 Screw, pan head	Buy now
16	66M-24411-00 Diaphragm	Buy now

Fuel



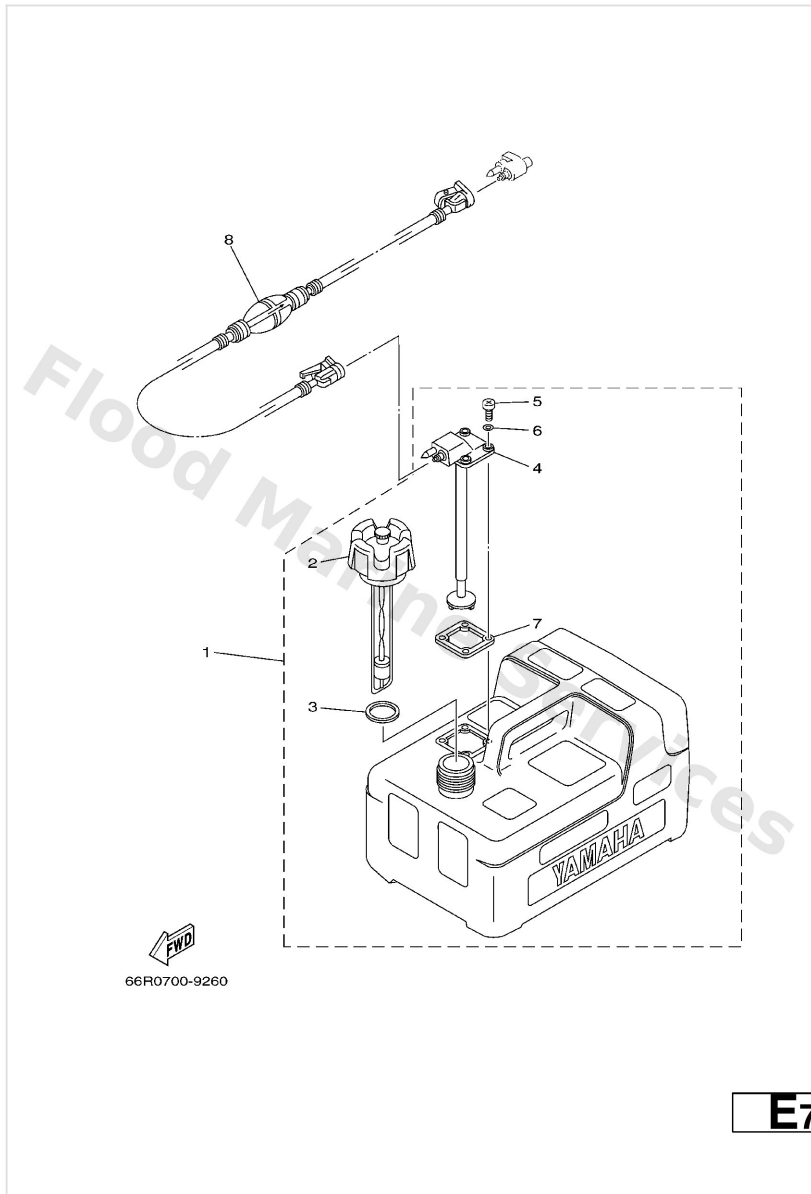
Ref	Part	
17	66M-24423-00 Spring, diaphragm	Buy now
18	66M-13131-00 Plunger	Buy now
19	66M-24374-00 Pin	Buy now
20	66M-24454-00 Spring	Buy now
21	66M-24471-00 Diaphragm	Buy now
22	66M-24444-00 Screw	Buy now
23	95380-05600 Nut, hexagon (663)	Buy now
24	97095-06030 Bolt(jf7)	Buy now
25	92995-06100 Washer(6a1)	Buy now
27	93210-20M65 O-ring	Buy now
28	90445-10016 Hose (I280)	Buy now
32	90464-10M53 Clamp	Buy now
33	68T-28100-00 Tool kit	Buy now
34	68T-28199-72-A0 O/m f6amh/bmh/f8cmh/ft8de/ '03 UR (E,F,S)	Buy now
34	68T-28199-72-B0 O/m f6amh/bmh/f8cmh/ft8de/ '03 UR (D,NL,I)	Buy now

Fuel



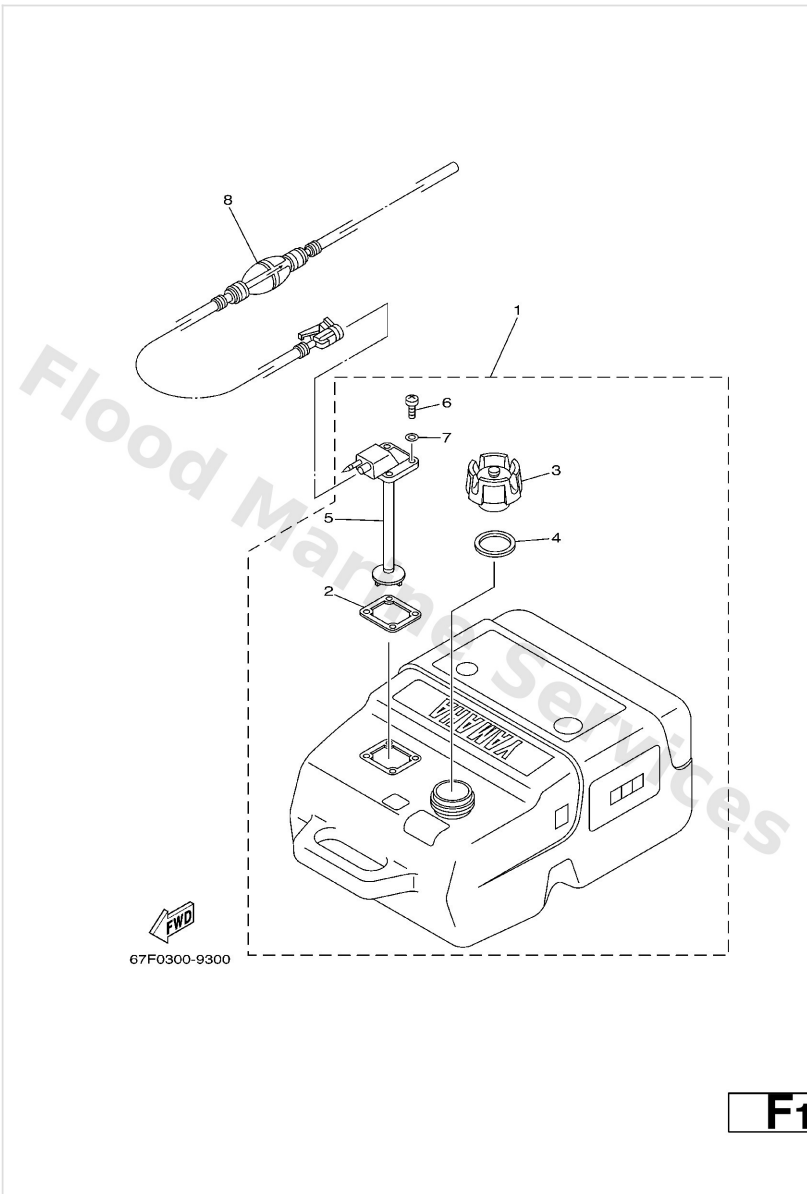
Ref	Part	
35	68T-28199-82-A0 O/m f6amh/bmh/f8cmh/ft8de/ '03 UR (DK,P,GR)	Buy now
35	68T-28199-82-B0 O/m f6amh/bmh/f8cmh/ft8de/ '03 UR (N,S,SS)	Buy now

Fuel Tank 1



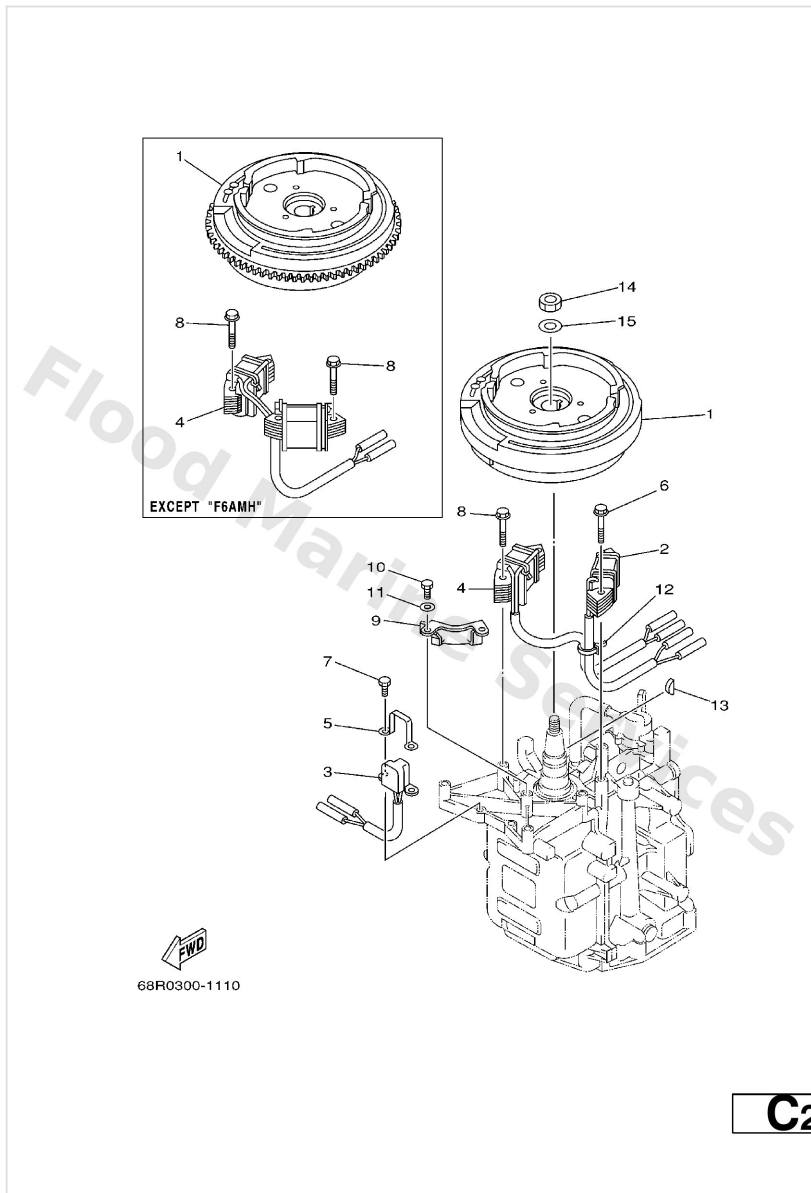
Ref	Part	
1	6YL-24201-02 Fuel Tank assembly AP	Buy now
2	6YL-24610-00 Cap Assembly	Buy now
3	6YL-24641-00 Gasket, cap 1	Buy now
4	6YL-24260-01 Fuel meter assembly	Buy now
5	90157-05M16 Screw, pan head	Buy now
6	6YL-24329-00 Seal	Buy now
7	6YL-24268-01 Gasket, fuel meter	Buy now
8	6YL-24306-52 Fuel pipe comp. 1 AP	Buy now

Fuel Tank 2



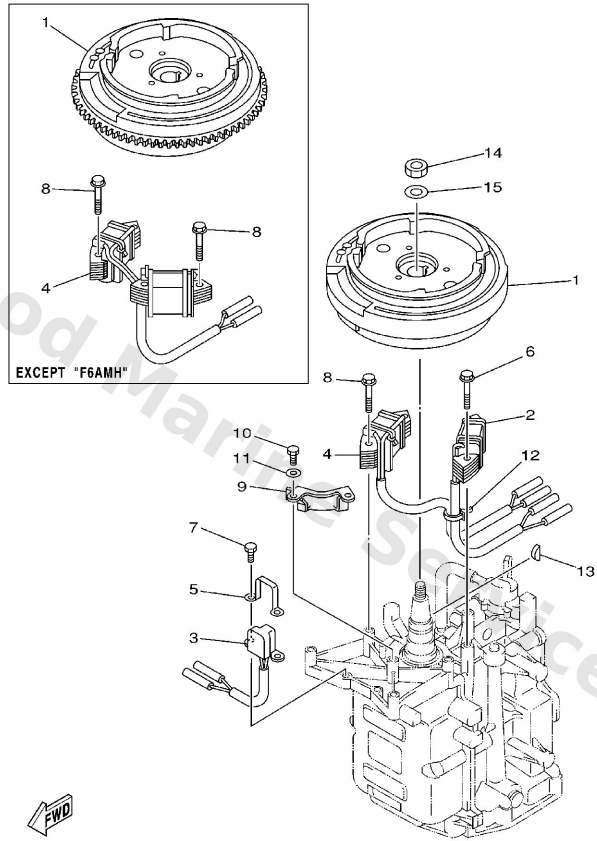
Ref	Part	
1	6YK-24201-10 Fuel Tank assembly (25L) AP	Buy now
2	6YL-24268-01 Gasket, fuel meter	Buy now
3	6YK-24610-10 Cap assembly WITHOUT INDICATOR	Buy now
4	6YL-24641-00 Gasket, cap 1	Buy now
5	6YK-24260-01 Fuel meter assembly	Buy now
6	90157-05M16 Screw, pan head	Buy now
7	6YL-24329-00 Seal	Buy now
8	6YL-24306-52 Fuel pipe comp. 1 AP	Buy now

Generator



Ref	Part	
1	68T-85550-01 Rotor assembly	Buy now
1	68T-85550-11 Rotor assembly	Buy now
2	68T-85520-00 Coil, charge	Buy now
3	68T-85580-01 Coil, pulser	Buy now
4	68T-85533-00 Coil, lighting	Buy now
4	68T-85533-10 Coil, lighting	Buy now
5	6H2-85582-00 Attachment, pulser	Buy now
6	90119-06014 Bolt, with washer(61b)	Buy now
7	97095-05010 Bolt (682)	Buy now
8	90119-06MA1 Bolt, with washer(63m)	Buy now
9	68T-81328-00 Clamp	Buy now
10	97013-06012 Bolt(gh1)	Buy now
11	92903-06600 Washer, plain (646)	Buy now
12	90465-11M10 Clamp	Buy now
13	90280-04M06 Key, woodruff(6a1)	Buy now

Generator

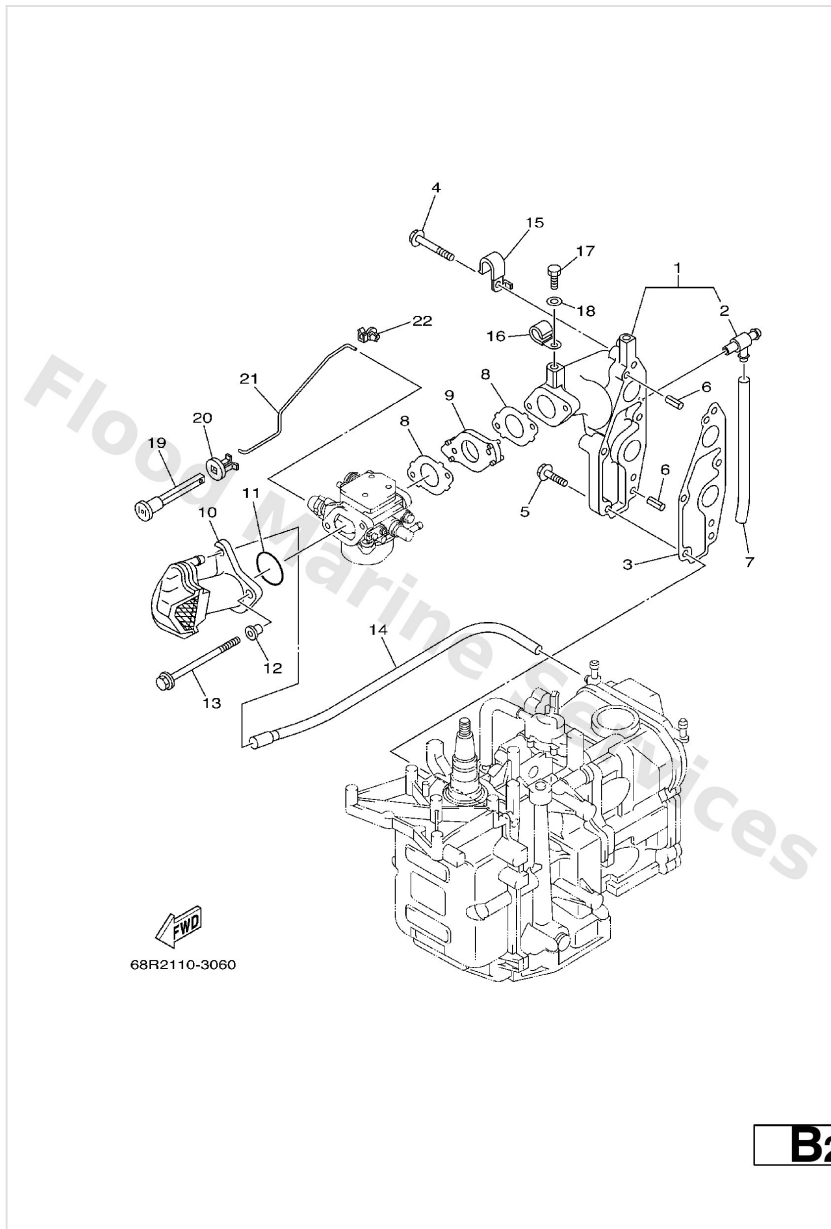



68R0300-1110

C2

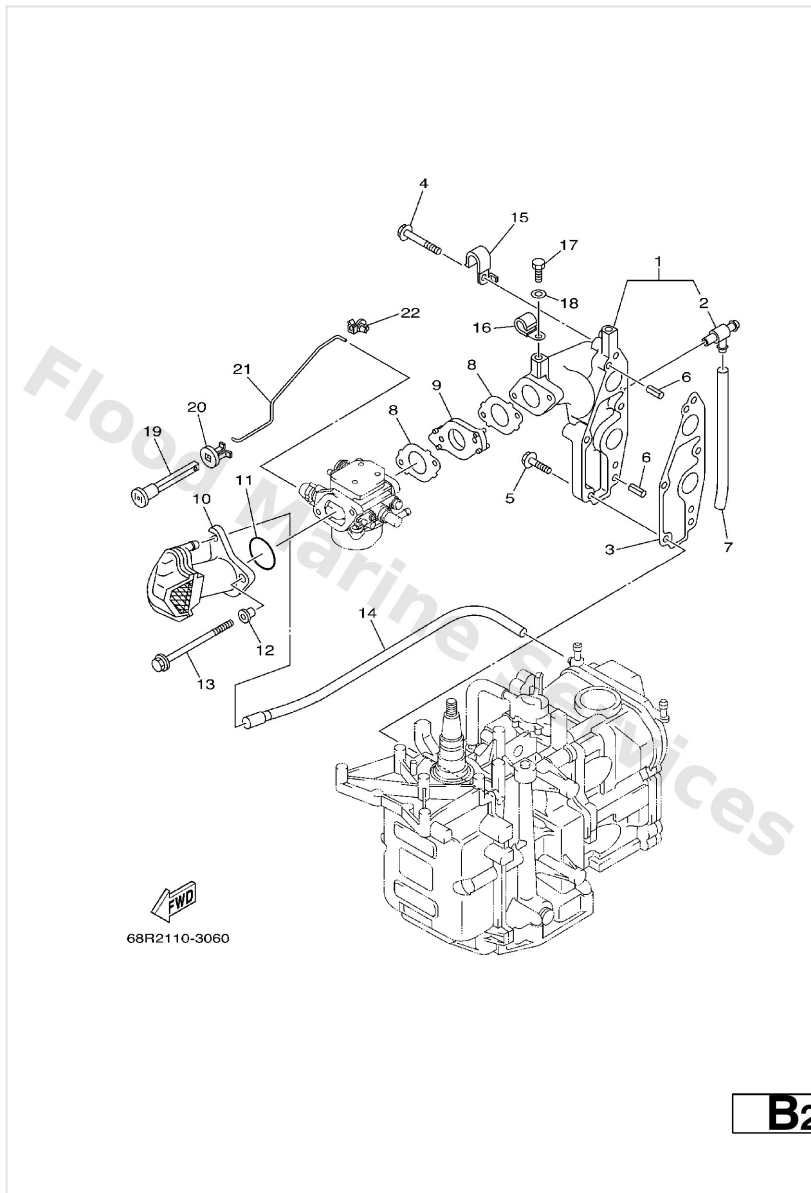
Ref	Part	
14	90170-12066 Nut, hexagon 6481155500	Buy now
15	90201-12472 Washer, plate (4n0)	Buy now

Intake



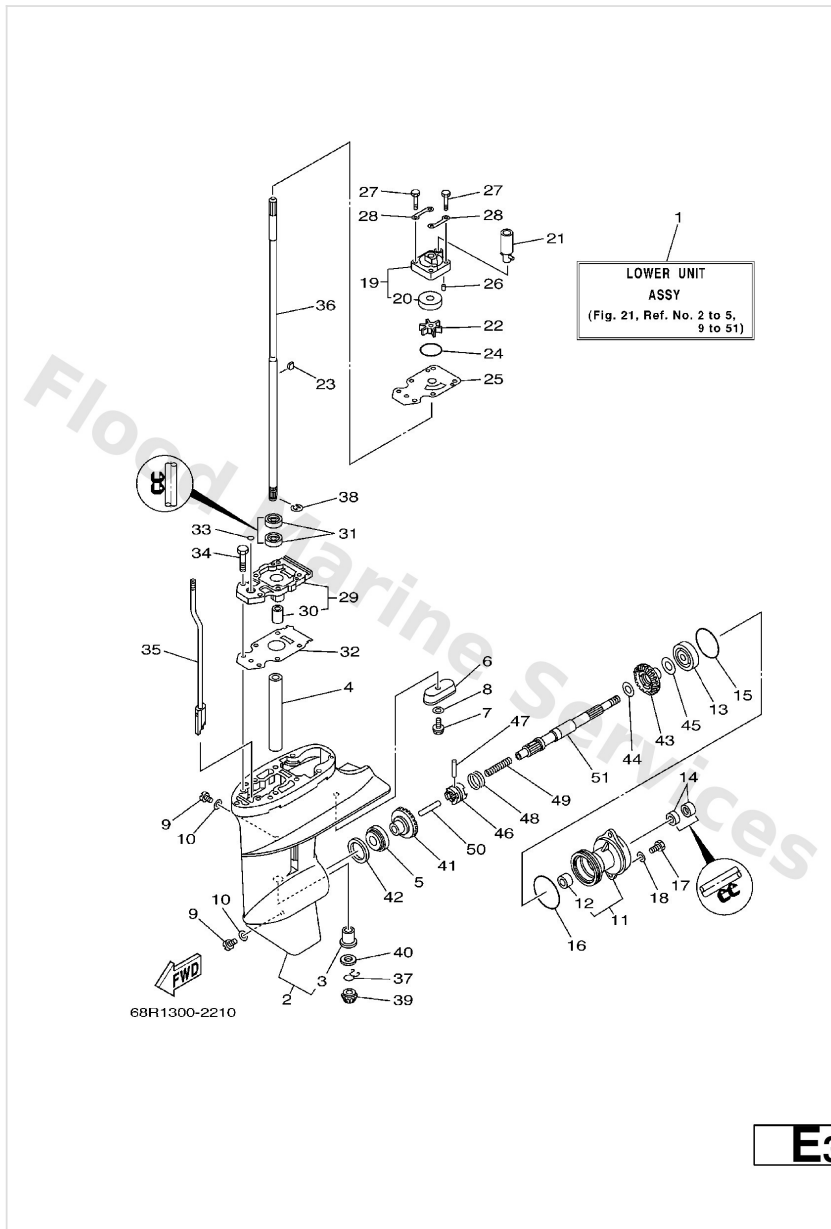
Ref	Part	
1	68T-13641-20-1S Manifold 1 FOR FLUSHING KIT	Buy now
2	67F-12482-00 Pipe 2	Buy now
3	68T-13645-00 Gasket, manifold 1	Buy now
4	90119-06MA5 Bolt, with washer	Buy now
5	90119-06MA3 Bolt, with washer	Buy now
6	91690-50014 Pin, spring (647)	Buy now
7	90445-09M20 Hose (L95) FOR FLUSHING KIT	Buy now
8	68T-13646-A0 Gasket, manifold 2	Buy now
9	68T-14271-00 Insulator	Buy now
10	68T-14440-00 Silencer assembly, intake	Buy now
11	93210-31MJ5 O-ring	Buy now
12	90387-06M70 Collar (6h5)	Buy now
13	97595-06585 Bolt, flange	Buy now
14	68T-12483-00 Pipe 3	Buy now
15	90465-08M99 Clamp	Buy now

Intake



Ref	Part	
16	90465-08M83 Clamp FOR FLUSHING KIT	Buy now
17	97095-06010 Bolt FOR FLUSHING KIT	Buy now
18	92995-06600 Washer, plain (646) FOR FLUSHING KIT	Buy now
19	6H4-41271-01 Knob, choke	Buy now
20	689-41273-00 Grommet	Buy now
21	68T-41256-00 Rod, choke 1	Buy now
22	6J8-41262-00 Joint, choke lever	Buy now

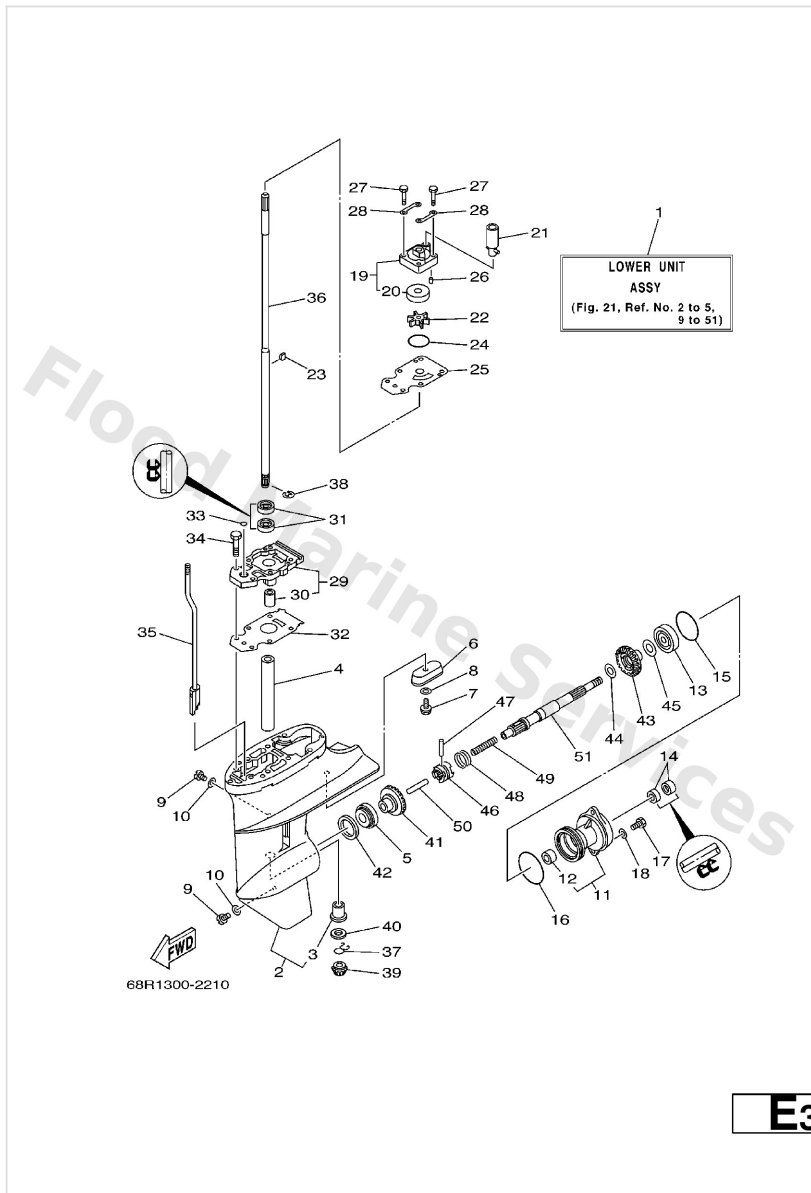
Lower Casing. Drive 1



E3

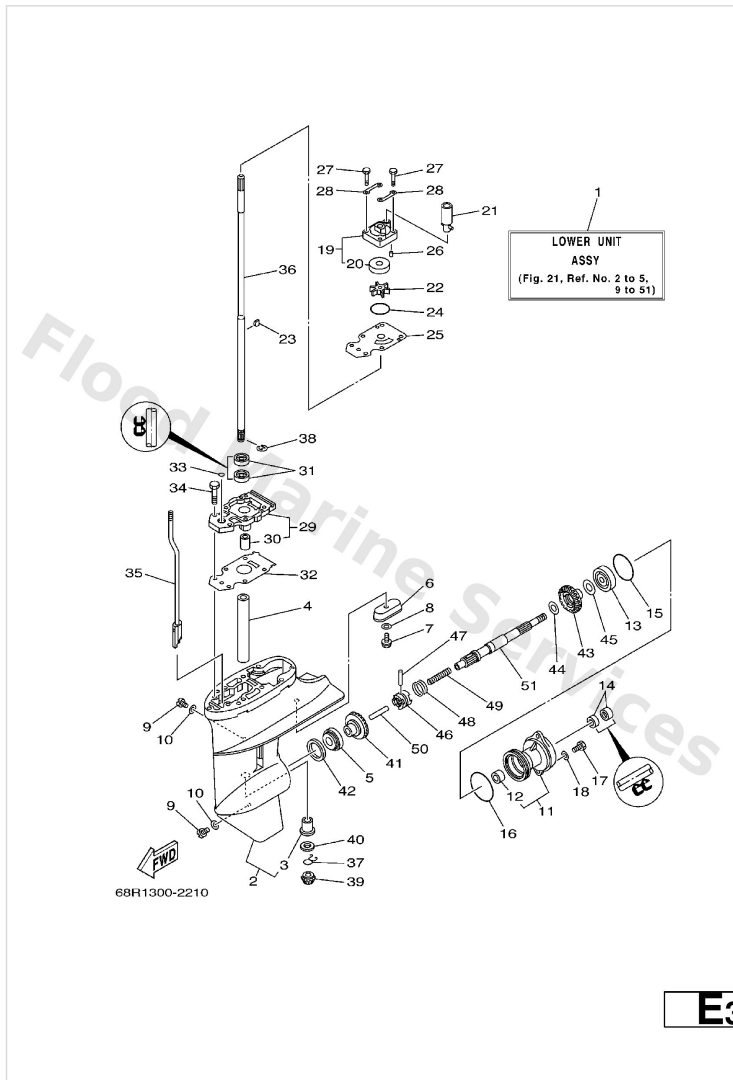
Ref	Part	
1	68T-45300-00-4D Lower unit assembly S	Buy now
1	68T-45300-10-4D Lower unit assembly L	Buy now
2	68T-45311-00-4D Casing, lower	Buy now
3	6G1-45317-09 Bushing, drive shaft 2	Buy now
4	90387-14M49 Collar (6g1)	Buy now
5	93306-004U0 Bearing (7k2)	Buy now
6	68T-45251-00 Anode	Buy now
7	95895-06016 Bolt, flange deep recess	Buy now
8	92990-06300 Washer, tooth	Buy now
9	90340-08002 Plug, straight screw	Buy now
10	90430-08020 Gasket	Buy now
11	6G1-45361-01-4D Cap, lower casing	Buy now
12	6G1-45362-09 Bushing, lower casing cap	Buy now
14	93101-15074 Oil seal (655)	Buy now
15	93210-49046 O-ring (620)	Buy now

Lower Casing. Drive 1



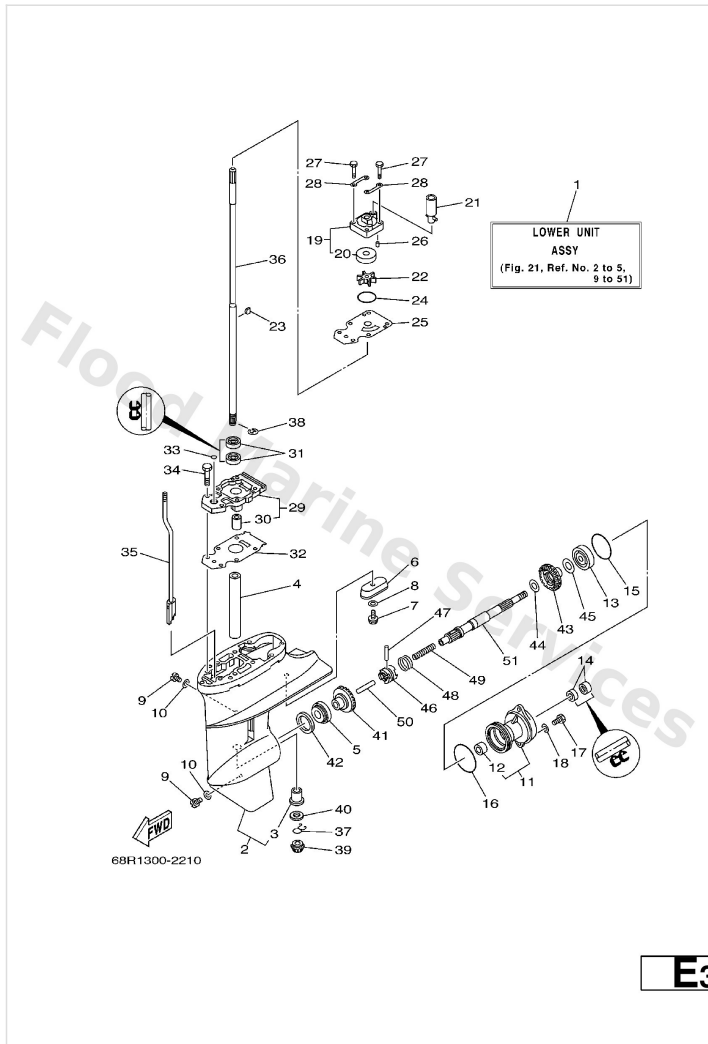
Ref	Part	
16	93210-53M08 O-ring(50m)	Buy now
17	97095-06016 Bolt, hexagon deep recess	Buy now
18	92995-06600 Washer, plain (646)	Buy now
19	63V-44301-00 Water pump housing comp.	Buy now
20	63V-44322-00 Insert, cartridge	Buy now
21	68T-44366-00 Damper, water seal 2	Buy now
22	68T-44352-00 Impeller	Buy now
23	664-44338-00 Key, woodruff	Buy now
24	93210-44398 O-ring(55x)	Buy now
25	68T-44323-00 Outer plate, cartridge	Buy now
26	93604-12M07 Pin, dowel (688)	Buy now
27	97080-08045 Bolt, hexagon	Buy now
28	63V-44328-00 Plate	Buy now
29	68T-45331-00-5B Housing, bearing	Buy now
30	6G1-45316-09 Bushing, drive shaft 1	Buy now

Lower Casing. Drive 1



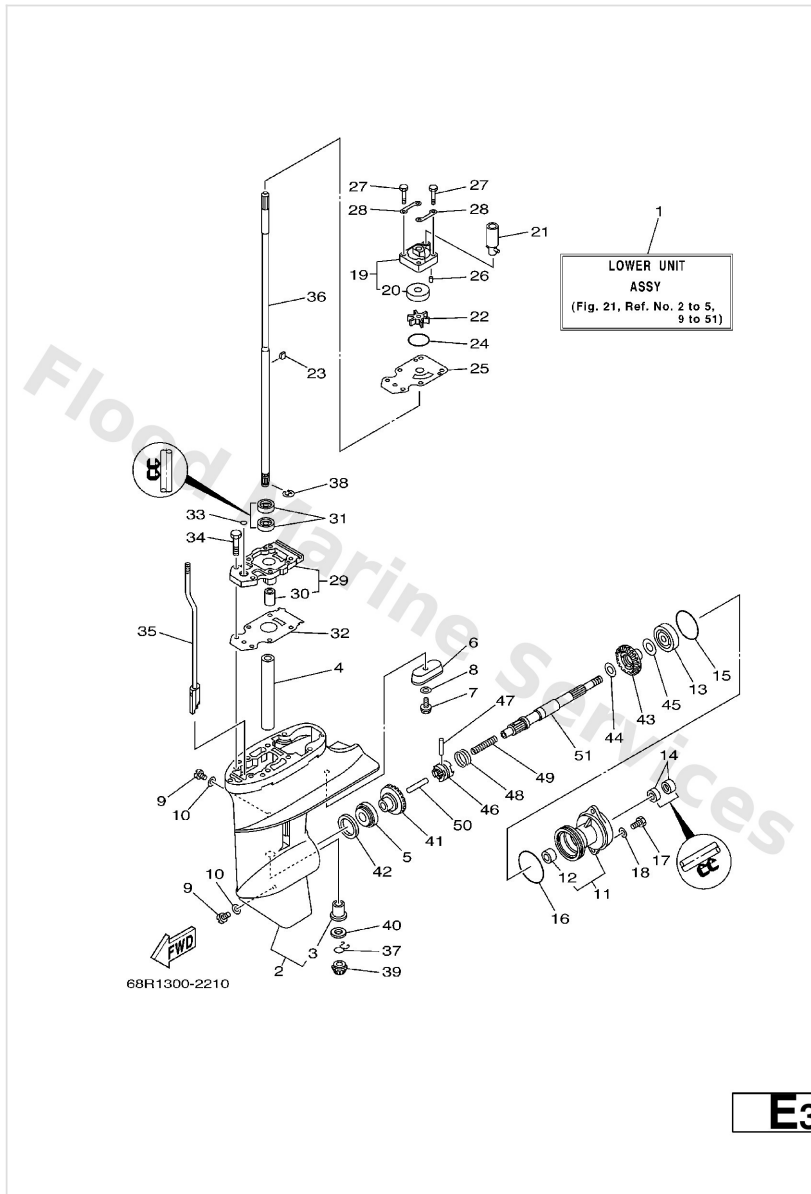
Ref	Part	
31	93101-11M23 Oil seal (6g1)	Buy now
32	68T-45315-A0 Packing, lower casing	Buy now
33	93210-06ME6 O-ring	Buy now
34	97080-08025 Screw, bind(j36)	Buy now
35	68T-44150-00 Shift cam assembly	Buy now
36	68T-45511-00 Shaft, drive S	Buy now
36	68T-45511-10 Shaft, drive L	Buy now
37	90467-09M05 Clip (6g1)	Buy now
38	99001-07600 Circlip(6l2)	Buy now
39	68T-45551-00 Pinion	Buy now
40	6G1-45533-00-19 Shim (t:1.9mm) UR	Buy now
40	6G1-45533-00-20 Shim (t:2.0mm) UR	Buy now
40	6G1-45533-00-21 Shim (t:2.1mm) UR	Buy now
40	6G1-45533-00-22 Shim (t:2.2mm) UR	Buy now
41	68T-45560-00 Gear	Buy now

Lower Casing. Drive 1



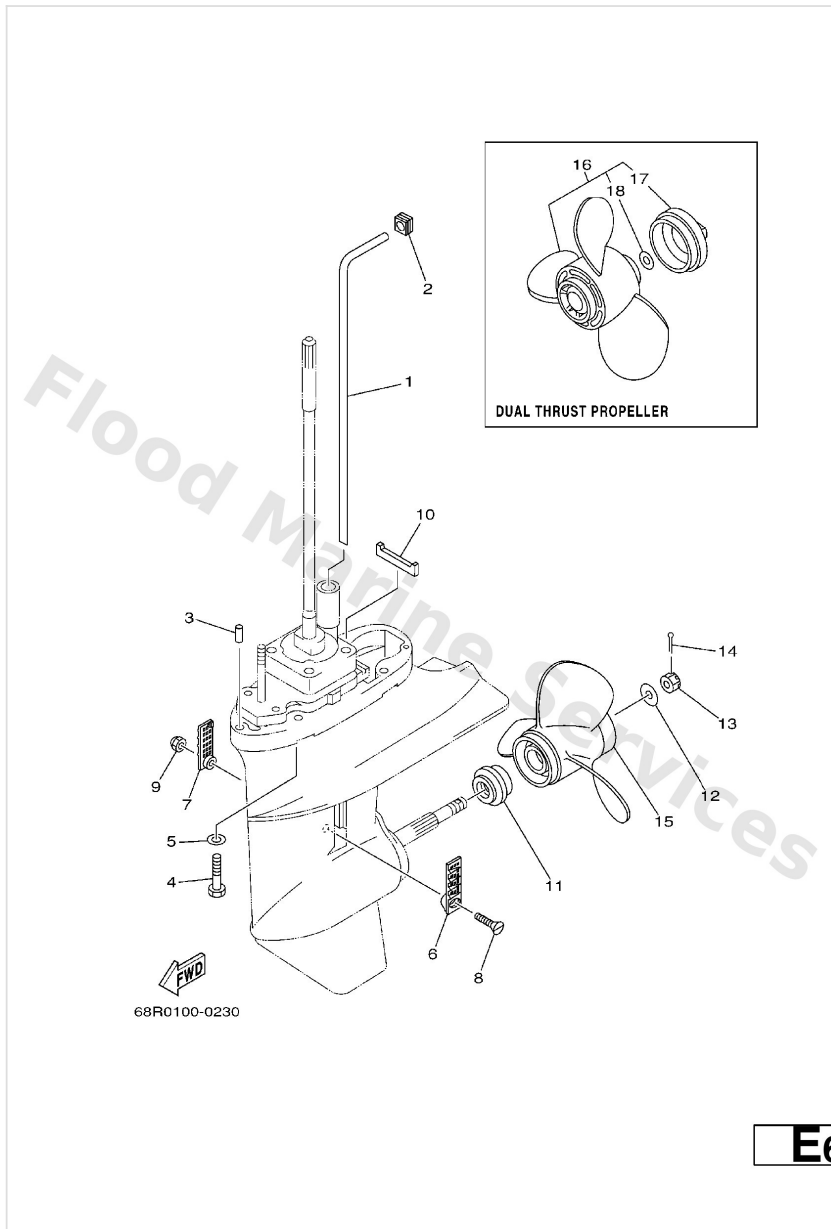
Ref	Part	
42	664-45587-01-10 Shim (t:0.10mm) UR	Buy now
42	664-45587-01-12 Shim (t:0.12mm) UR	Buy now
42	664-45587-01-15 Shim (t:0.15mm) UR	Buy now
42	664-45587-01-18 Shim (t:0.18mm) UR	Buy now
42	664-45587-01-30 Shim (t:0.30mm) UR	Buy now
42	664-45587-01-40 Shim (t:0.40mm) UR	Buy now
42	664-45587-01-50 Shim (t:0.50mm) UR	Buy now
43	68T-45571-00 Gear	Buy now
44	90201-15M89 Washer, plate (6g1)	Buy now
45	647-45567-00 Shim, gear adjust UN	Buy now
46	68T-45631-00 Clutch, dog	Buy now
47	6G1-45632-00 Cross, pin	Buy now
48	654-45633-00 Ring, cross pin	Buy now
49	90501-12M05 Spring, compression	Buy now
50	6G1-45635-00 Plunger, shift	Buy now

Lower Casing. Drive 1



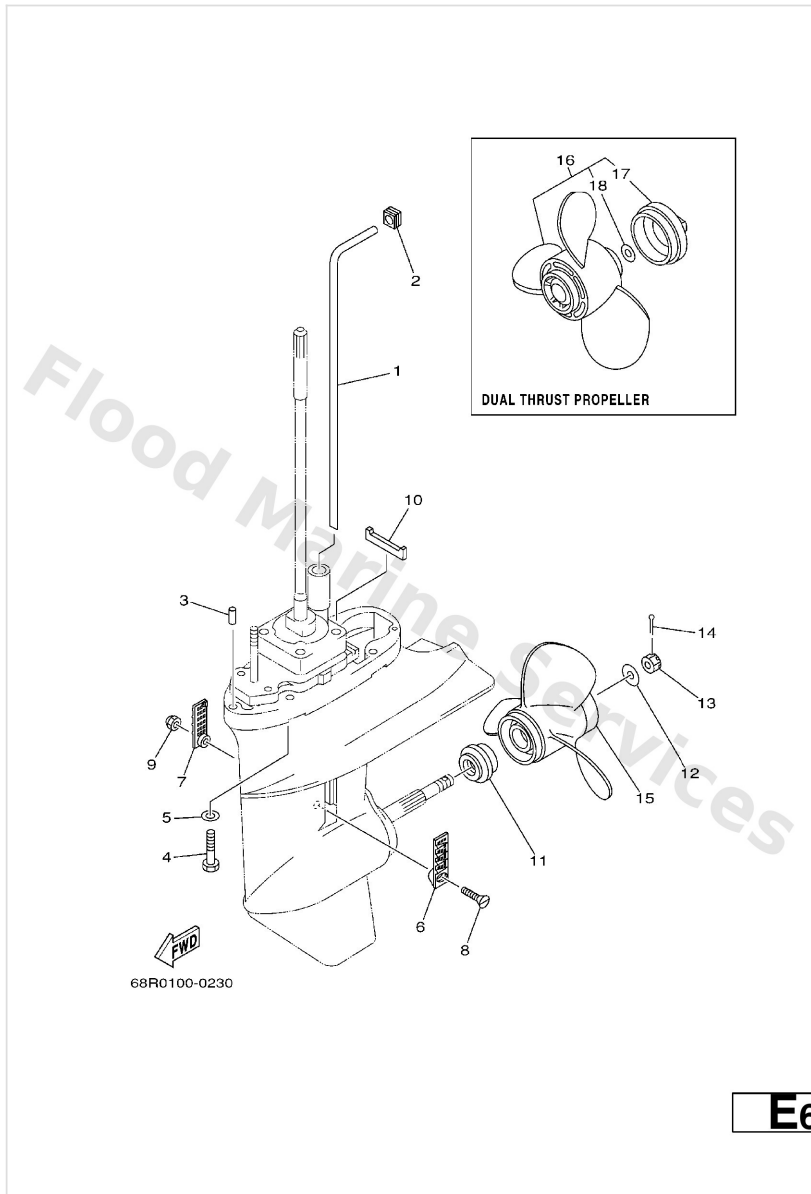
Ref	Part	
51	68T-45611-00 Shaft, propeller	Buy now

Lower Casing. Drive 2



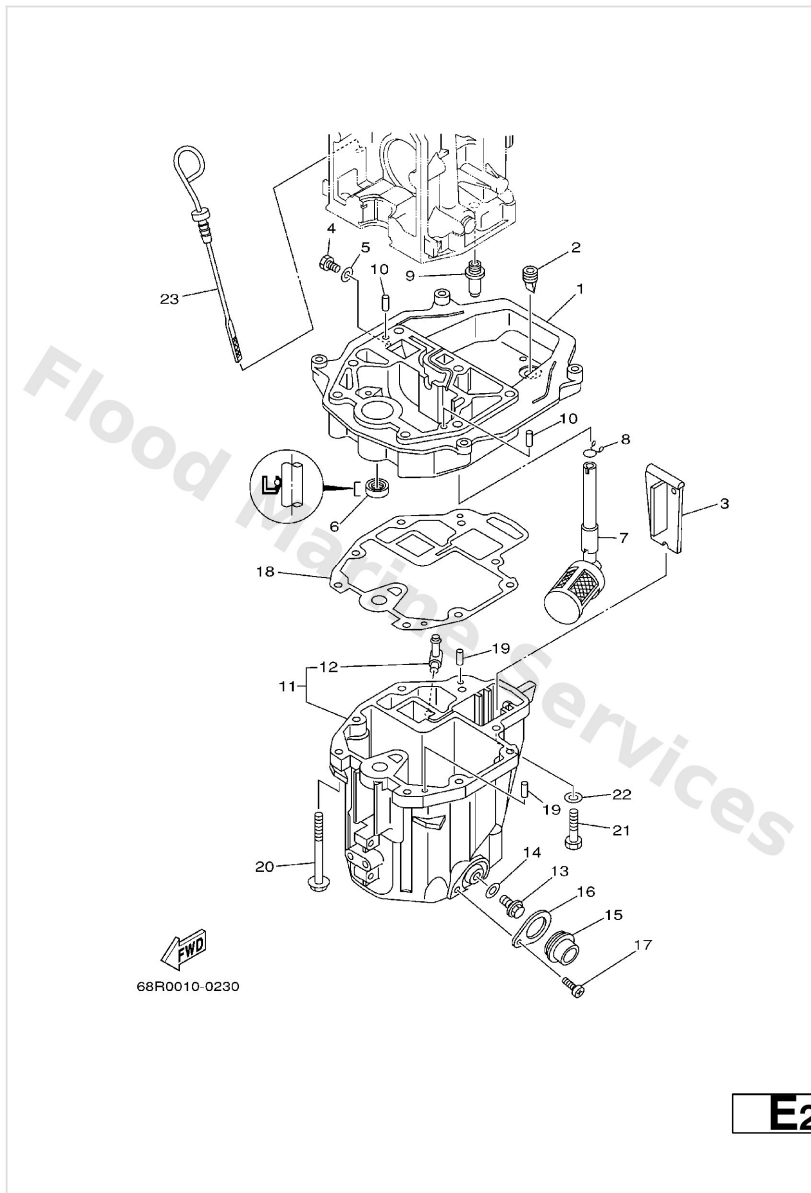
Ref	Part	
1	68T-44361-00 Tube, water 1 S	Buy now
1	68T-44361-10 Tube, water 1 L	Buy now
2	63V-44365-10 Damper, water seal 1	Buy now
3	93604-12M07 Pin, dowel (688)	Buy now
4	97075-08035 Bolt(70w)	Buy now
5	92995-08600 Washer, plain (663)	Buy now
6	6G1-45214-00 Cover, water inlet	Buy now
7	6G1-45215-00 Cover, water inlet	Buy now
8	90152-05M03 Screw, countersunk	Buy now
9	90185-05002 Nut nylon (sus)(ex4)	Buy now
10	63V-45375-00 Damper, seal	Buy now
11	6G1-45987-02 Spacer	Buy now
12	90201-10M01 Washer, plate(6m7)	Buy now
13	90171-10M01 Nut castle (683)	Buy now
14	91490-30020 Pin cotter	Buy now

Lower Casing. Drive 2



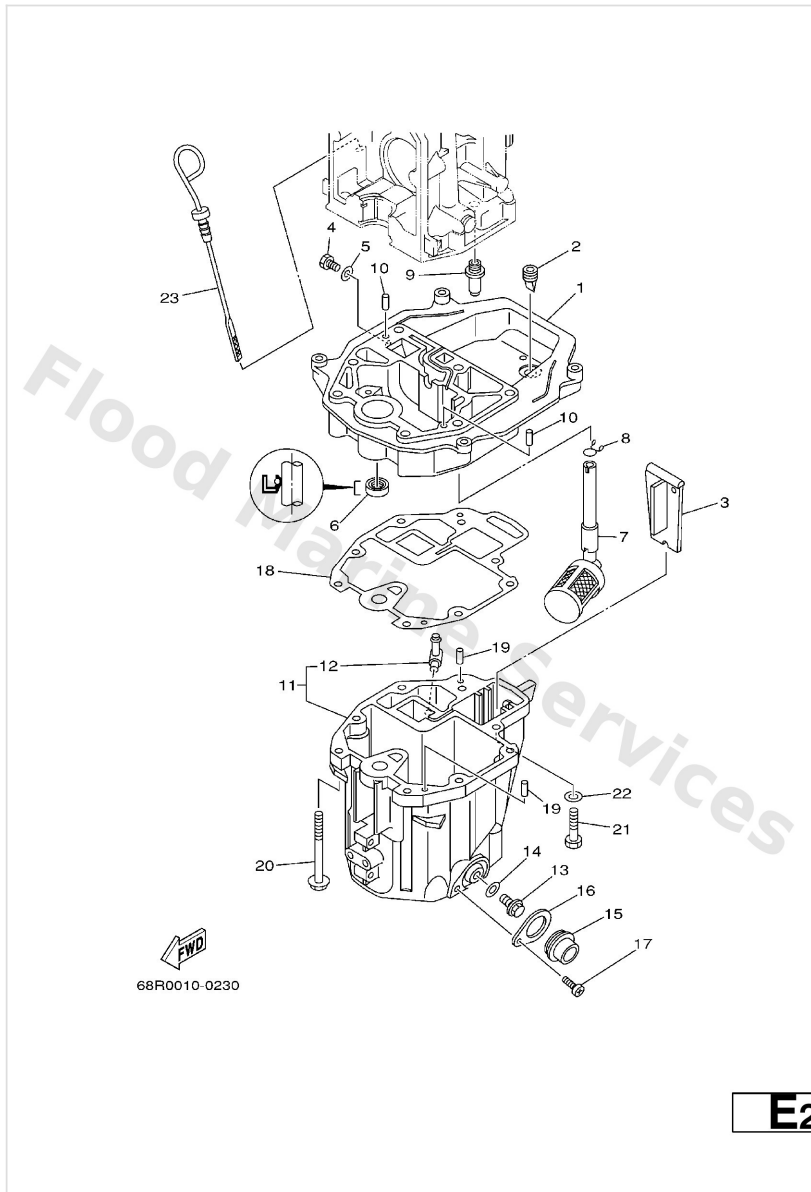
Ref	Part	
17	6G1-45616-01 Nut, propeller	Buy now
18	90201-10M02 Washer, plate(6g9)	Buy now

Oil Pan



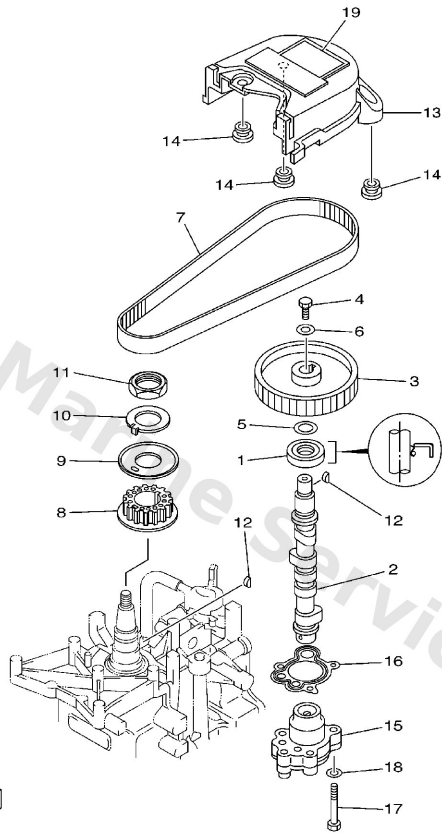
Ref	Part	
1	68T-41137-00-94 Guide, exhaust	Buy now
2	65W-42717-00 Rubber, seal 2	Buy now
3	68T-45181-00 Plate	Buy now
4	97095-08014 Bolt, hexagon deep recess	Buy now
5	90430-08143 Gasket (256-11198-00)	Buy now
6	93101-12M70 Oil seal	Buy now
7	68T-13421-01 Strainer 2	Buy now
8	90467-11M08 Clip(72x)	Buy now
9	6G8-11575-00 Relief valve ass'y	Buy now
10	93606-19M23 Pin, dowel	Buy now
11	68T-15311-00-5B Oil pan	Buy now
12	6H1-11372-00 Nipple, hose	Buy now
13	90340-10M10 Plug, straight screw	Buy now
14	90430-10M11 Gasket	Buy now
15	68T-15316-00 Damper, engine mount 1	Buy now

Oil Pan



Ref	Part	
16	68T-15317-00 Spacer, engine mount	Buy now
17	97885-05008 Screw, pan head	Buy now
18	68T-13475-00 Gasket	Buy now
19	93604-12M07 Pin, dowel (688)	Buy now
20	90119-08005 Bolt, with washer	Buy now
21	97075-08030 Bolt, hexagon (fj1)	Buy now
22	92995-08600 Washer, plain (663)	Buy now
23	68T-15362-00 Plug, oil level	Buy now

Oil Pump

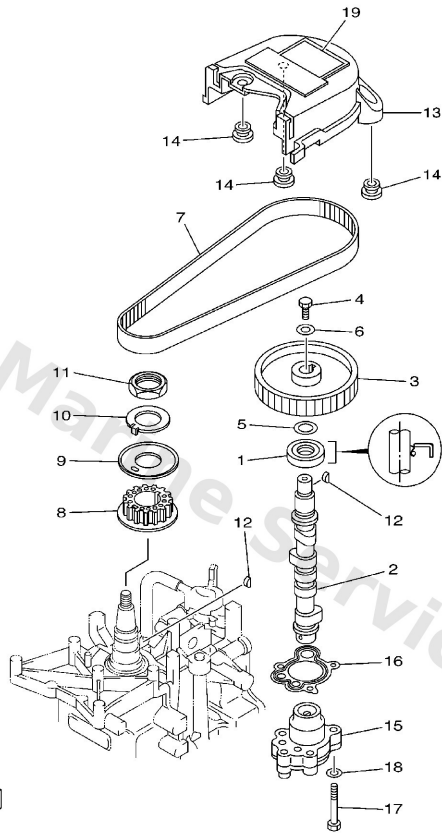



68R1300-2080

B4

Ref	Part	
1	93102-18M21 Oil seal (6g8)	Buy now
2	68T-12171-00 Camshaft 1	Buy now
3	66M-11537-00-94 Gear, driven	Buy now
4	97013-06016 Bolt, hexagon deep recess	Buy now
5	90201-13201 Washer 6474283300	Buy now
6	90201-06M94 Washer (6g8)	Buy now
7	68T-46241-00 Belt	Buy now
8	68T-11536-00 Gear, drive	Buy now
9	68T-11557-00 Washer 1	Buy now
10	6G8-11587-01 Washer, lock	Buy now
11	90170-24M09 Nut (6g8)	Buy now
12	90280-03M01 Key woodruff 146115450000	Buy now
13	68T-46297-00 Cover, dust	Buy now
14	90480-10627 Grommet	Buy now
15	68T-13300-00 Oil pump assembly	Buy now

Oil Pump

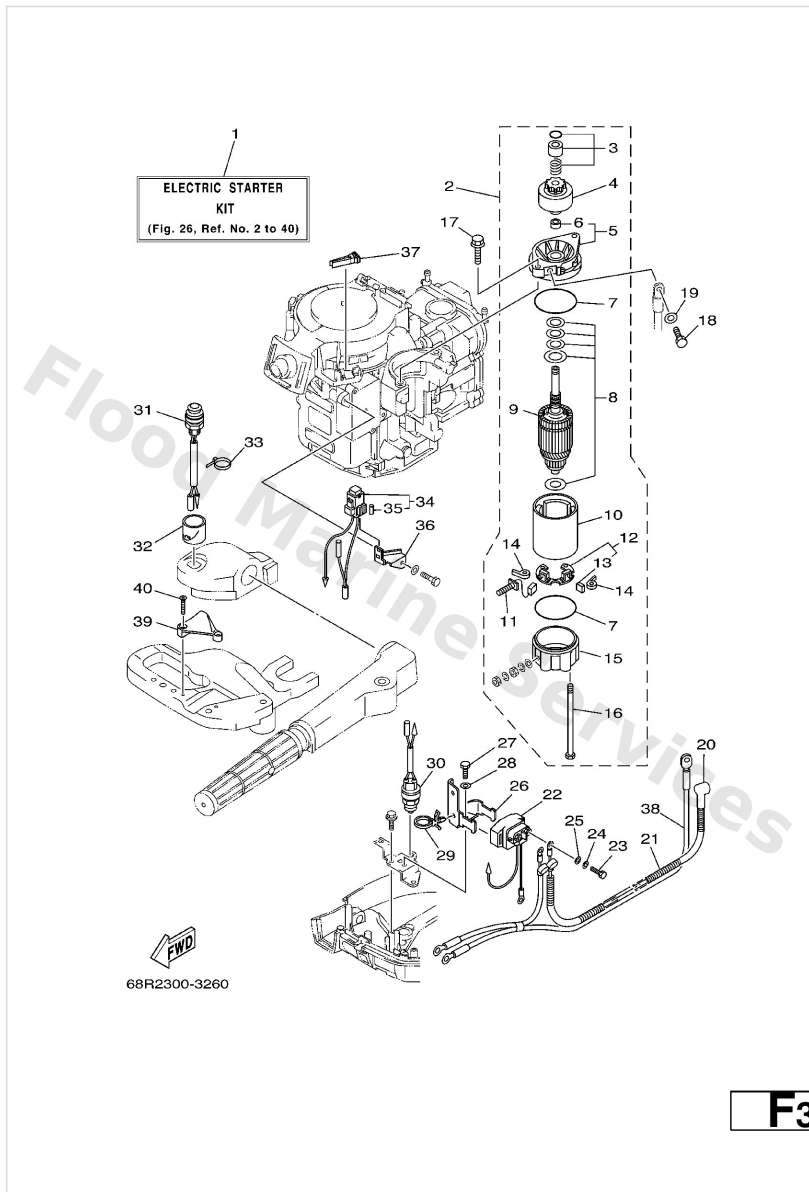


 68R1300-2080

B4

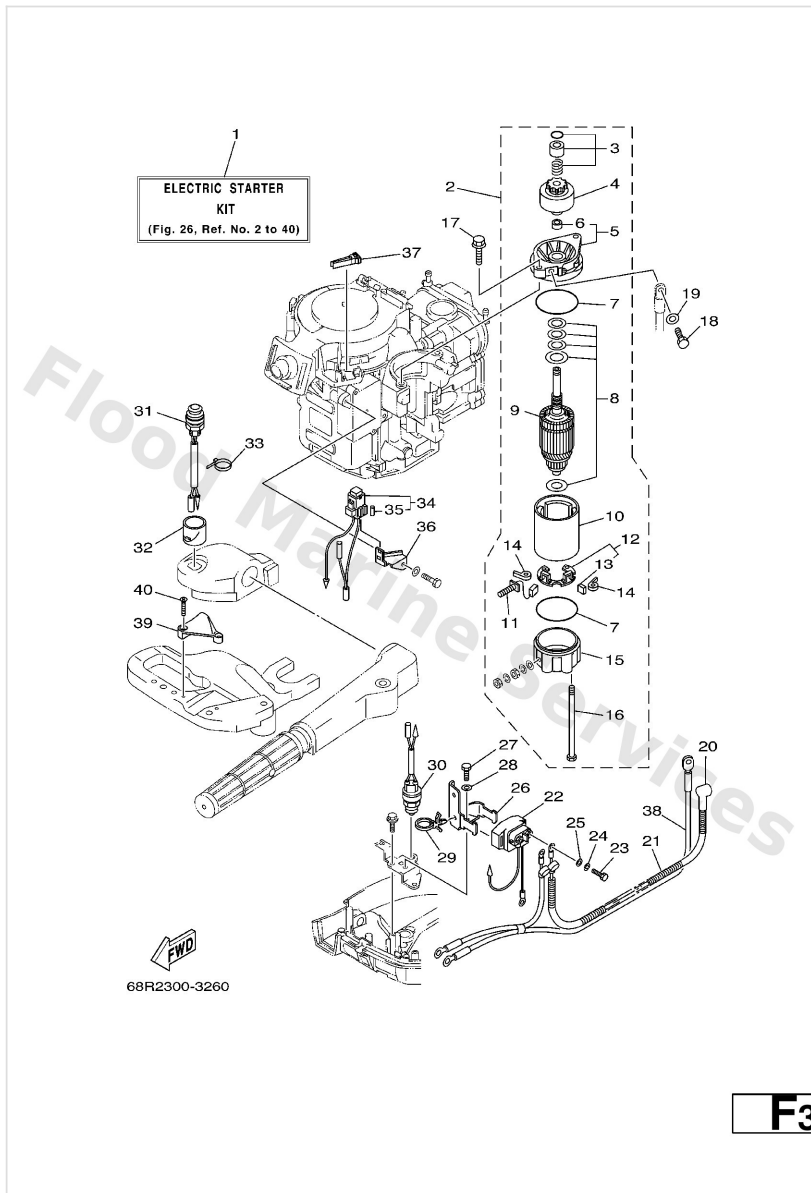
Ref	Part	
16	68T-13329-00 Gasket, pump cover	Buy now
17	97095-06030 Bolt(jf7)	Buy now
18	92995-06600 Washer, plain (646)	Buy now
19	6G9-12138-60 Mark Caution	Buy now

Optional Parts



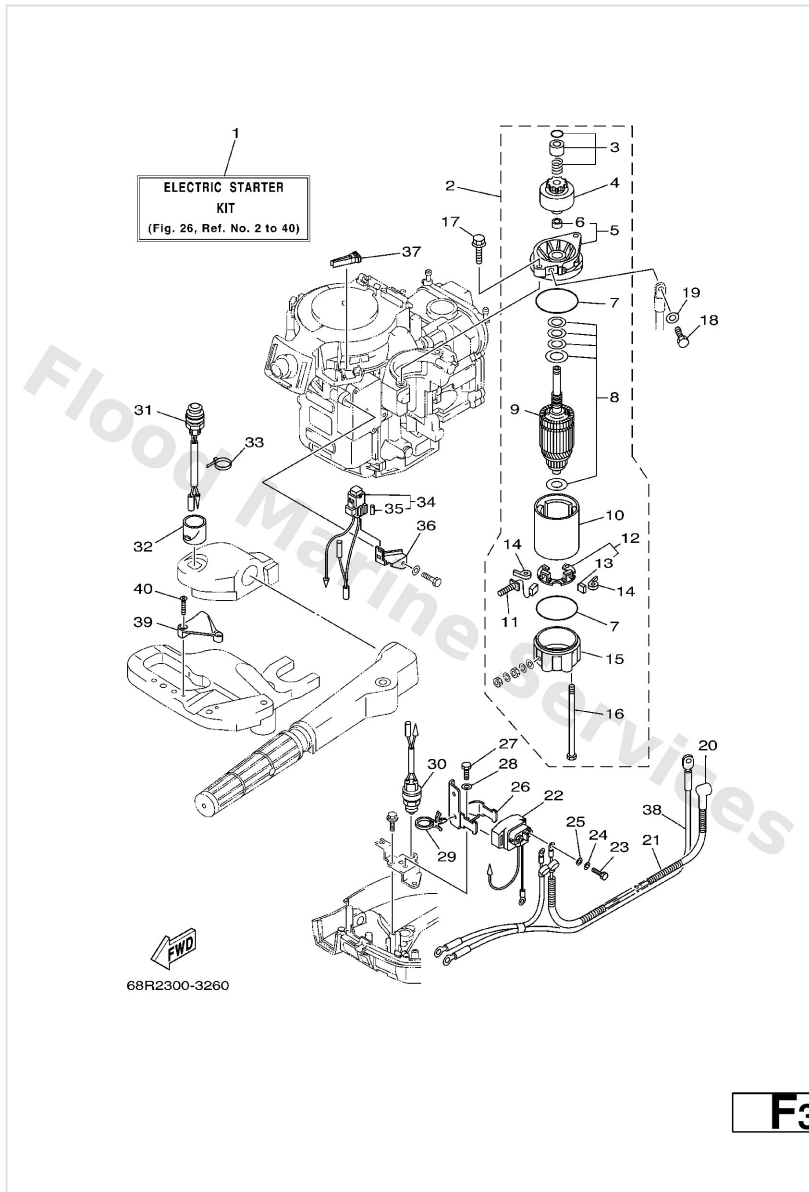
Ref	Part	
1	68R-W8180-00 Electric starter kit AP	Buy now
2	68T-81800-00 Starting motor assembly	Buy now
3	68T-81857-00 Pinion stopper set	Buy now
4	689-81807-12 Pinion assembly	Buy now
5	6F5-81830-11 Front cover assembly	Buy now
6	689-81831-00 Metal, front	Buy now
7	689-81847-11 O-ring	Buy now
8	689-81809-11 Washer kit	Buy now
9	689-81850-12 Armature assembly	Buy now
10	689-81810-11 Stator ass'y	Buy now
11	689-81811-11 Brush 1	Buy now
12	689-81840-11 Brush holder assembly	Buy now
13	689-81812-11 Brush 2	Buy now
14	689-81813-10 Spring, brush	Buy now
15	689-81820-11 Rear cover ass'y	Buy now

Optional Parts



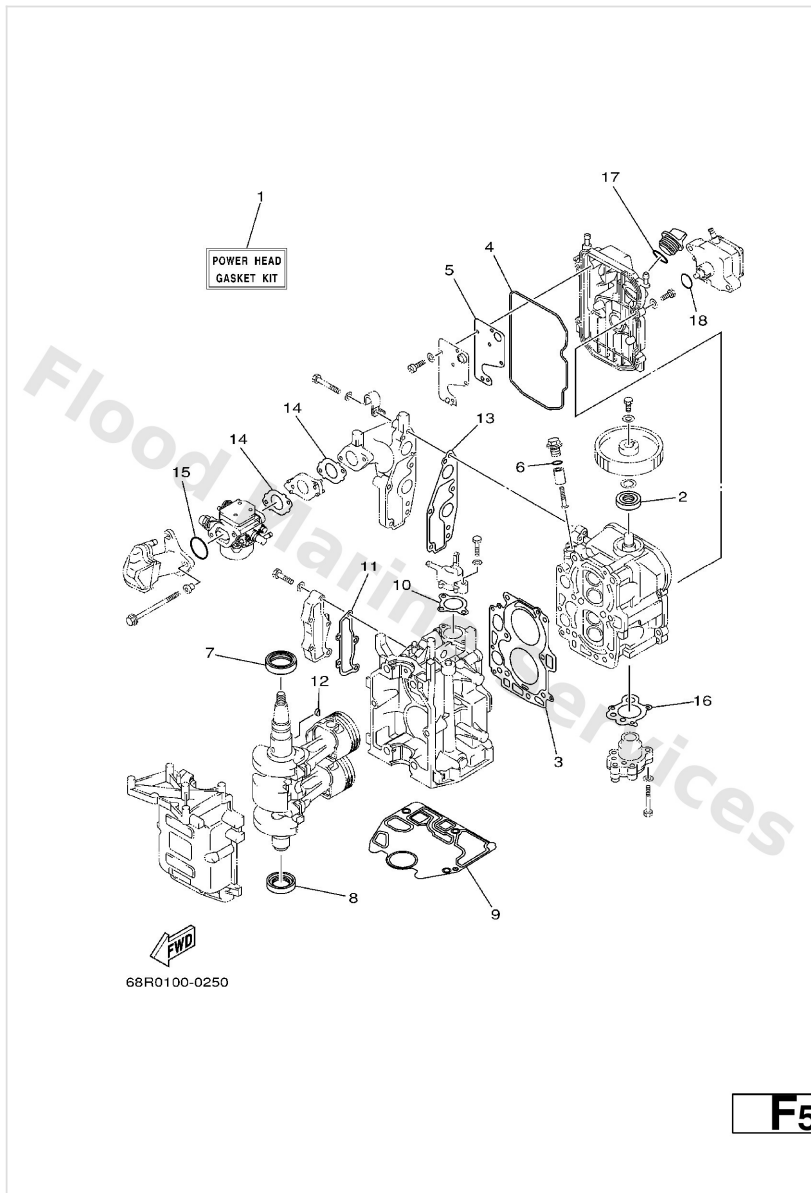
Ref	Part	
16	689-81826-10 Bolt	Buy now
17	90119-08M76 Bolt, with washer(6e5)	Buy now
18	97095-08016 Bolt, hexagon deep recess	Buy now
19	92995-08600 Washer, plain (663)	Buy now
20	6G8-82117-00 Wire, lead	Buy now
21	90446-10M86 Hose	Buy now
22	68T-81940-00 Starter relay assembly	Buy now
23	97095-06010 Bolt	Buy now
24	92995-06100 Washer(6a1)	Buy now
25	92995-06600 Washer, plain (646)	Buy now
26	68T-81945-00 Plate, switch fitting	Buy now
27	97095-06012 Bolt(gh1)	Buy now
29	90465-12M56 Clamp(62t)	Buy now
30	6F5-82540-00 Neutral switch assembly	Buy now
31	68T-81870-00 Starting switch assembly	Buy now

Optional Parts



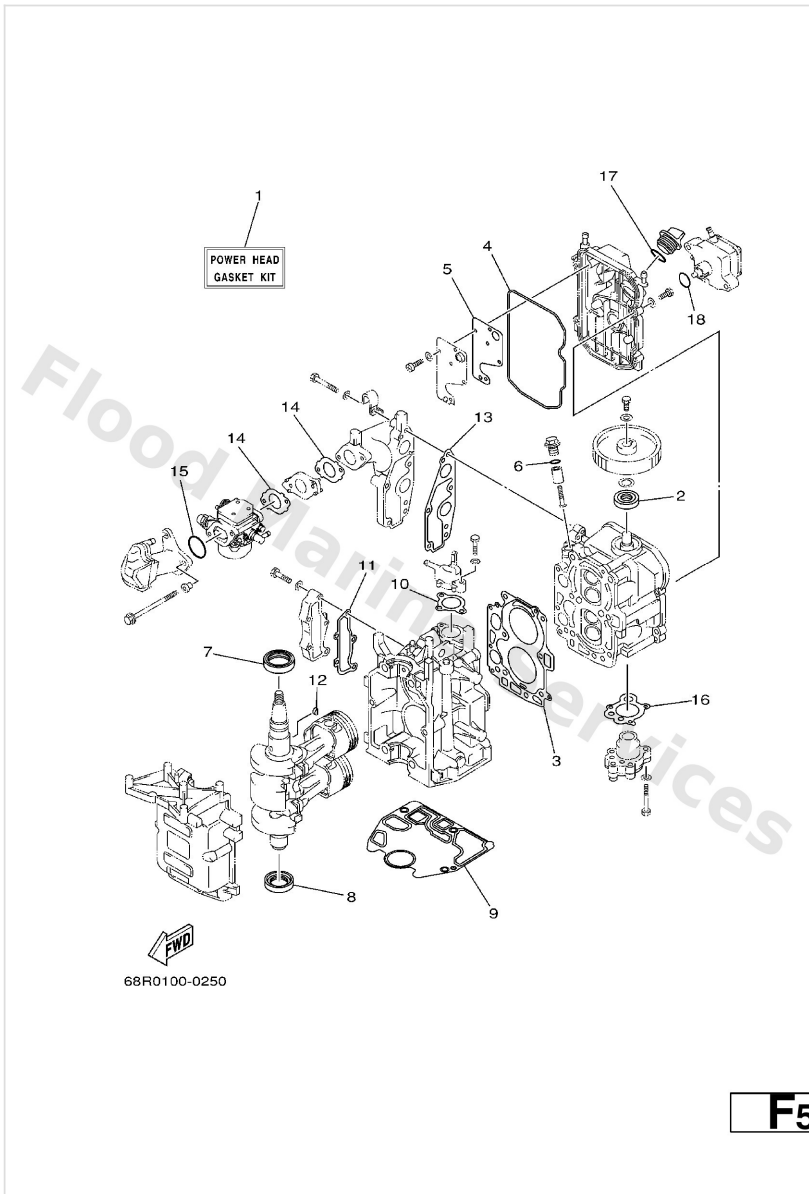
Ref	Part	
32	68T-81821-00 Cover, switch	Buy now
33	90465-11M10 Clamp	Buy now
34	68T-82150-00 Fuse holder assembly	Buy now
35	66V-82151-00 Fuse (10a)	Buy now
36	68T-82171-00 Stay, fuse box	Buy now
37	67F-2812A-00 Puller, fuse	Buy now
38	68T-82105-00 Battery cable (l: 3.0m)	Buy now
39	68T-82594-00 Clamp	Buy now
40	90151-05003 Screw, countersunk	Buy now

Repair Kit 1



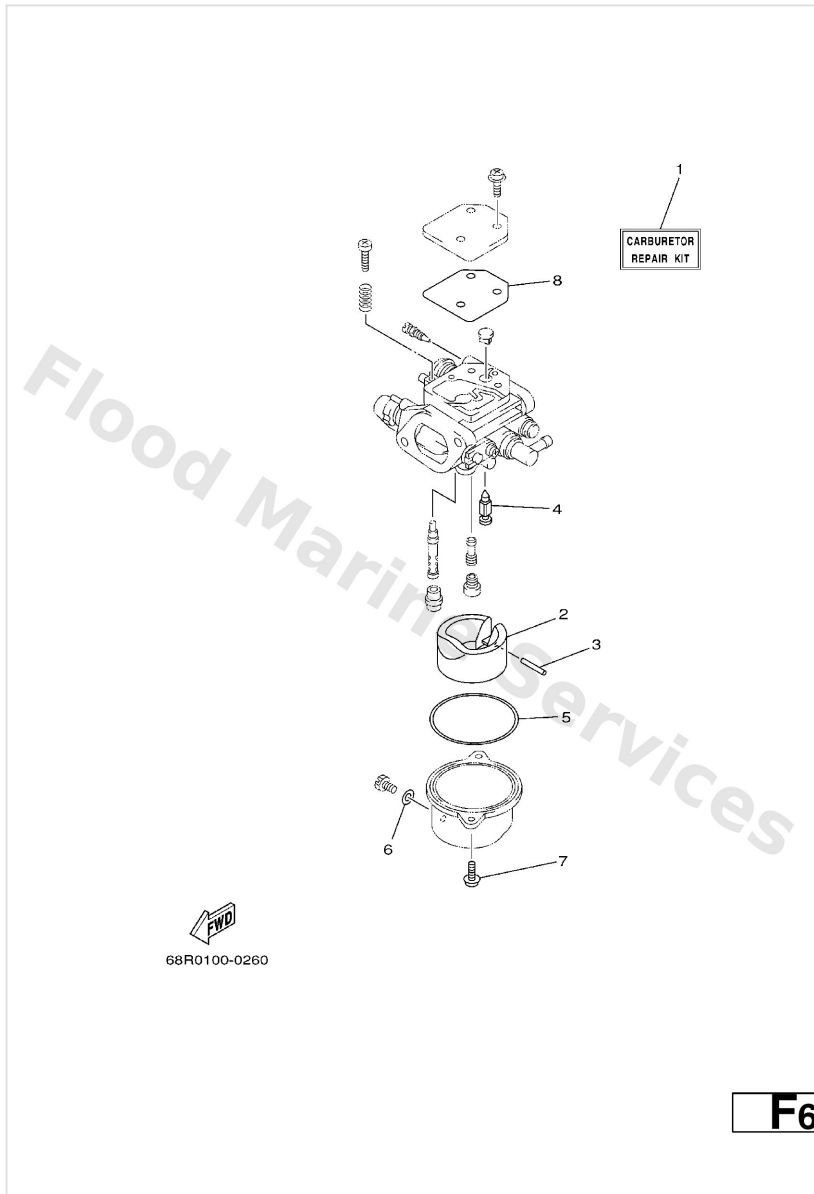
Ref	Part	
1	68T-W0001-00 Power head gasket kit	Buy now
2	93102-18M21 Oil seal (6g8)	Buy now
3	68T-11181-00 Gasket, cylinder head 1	Buy now
4	68T-11356-00 Seal, cylinder 2	Buy now
5	68T-11169-A0 Gasket, breather cover	Buy now
6	93210-13M63 O-ring (6g8)	Buy now
7	93102-30M22 Oil seal (6g8)	Buy now
8	93101-25M69 Oil seal	Buy now
9	68T-11351-00 Gasket, cylinder	Buy now
10	6G8-12414-A0 Gasket, cover	Buy now
11	68T-41114-A0 Gasket, exhaust outer cover	Buy now
12	90280-03M01 Key woodruff 146115450000	Buy now
13	68T-13645-00 Gasket, manifold 1	Buy now
14	68T-13646-A0 Gasket, manifold 2	Buy now
15	93210-31M5 O-ring	Buy now

Repair Kit 1



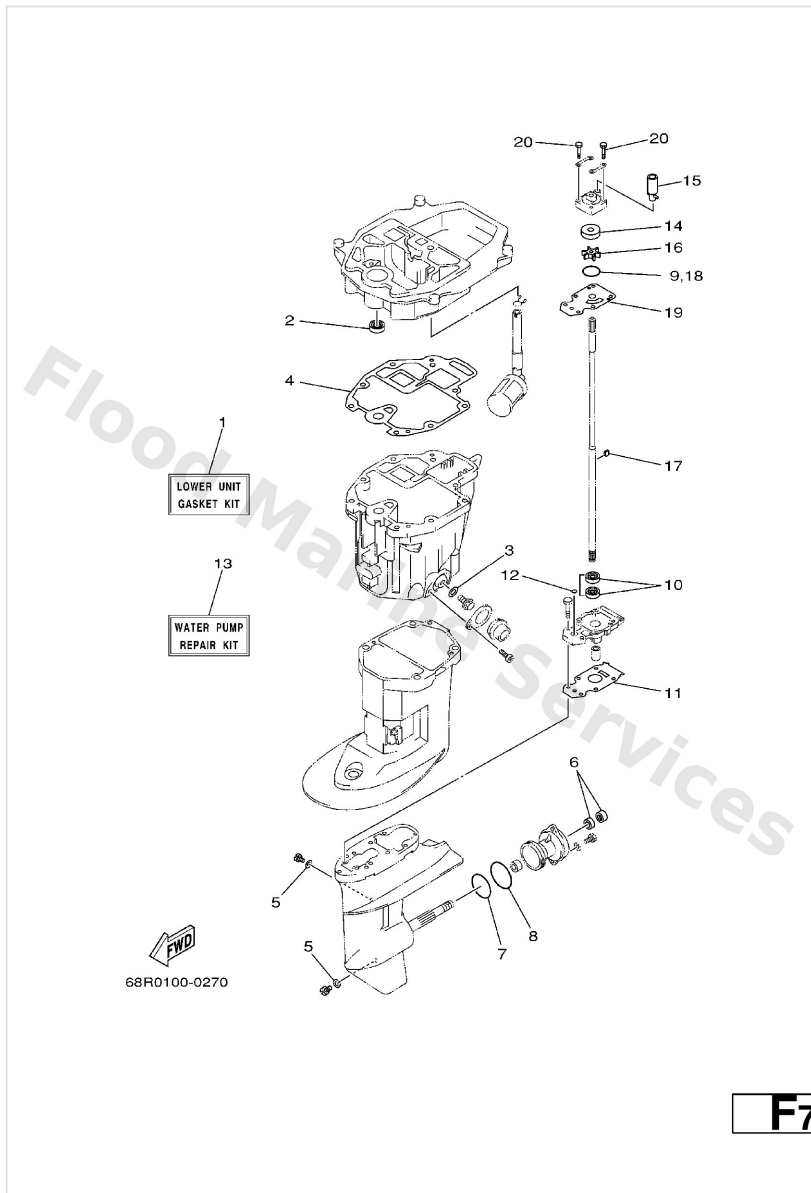
Ref	Part	
16	68T-13329-00 Gasket, pump cover	Buy now
17	93210-24M79 O-ring	Buy now
18	93210-20M65 O-ring	Buy now

Repair Kit 2



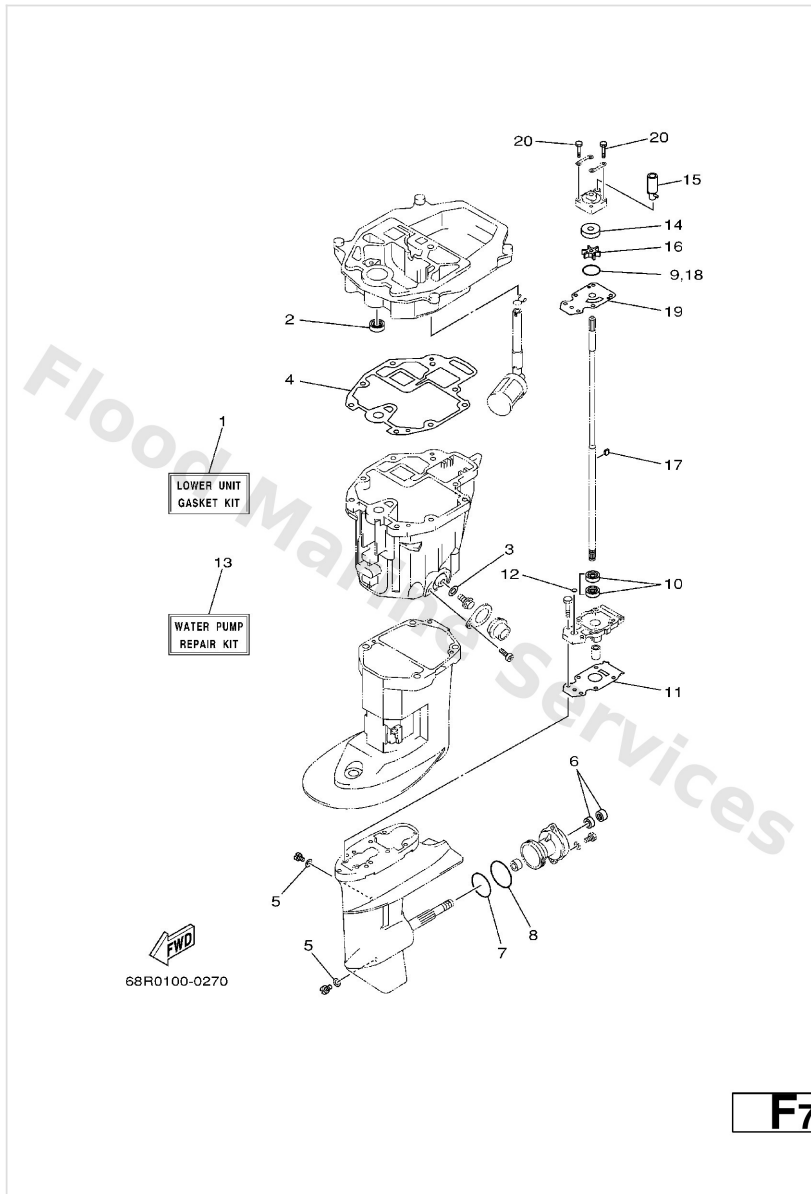
Ref	Part	
1	68T-W0093-00 Carburetor repair kit	Buy now
2	68T-14385-00 Float	Buy now
3	67D-14386-00 Pin, float	Buy now
4	68T-14546-00 Valve, needle	Buy now
5	67D-14984-00 Gasket, float chamber	Buy now
6	6J8-14959-00 Gasket, drin screw	Buy now
7	97980-04112 Screw, pan head (686)	Buy now
8	67D-14536-00 Gasket	Buy now

Repair Kit 3



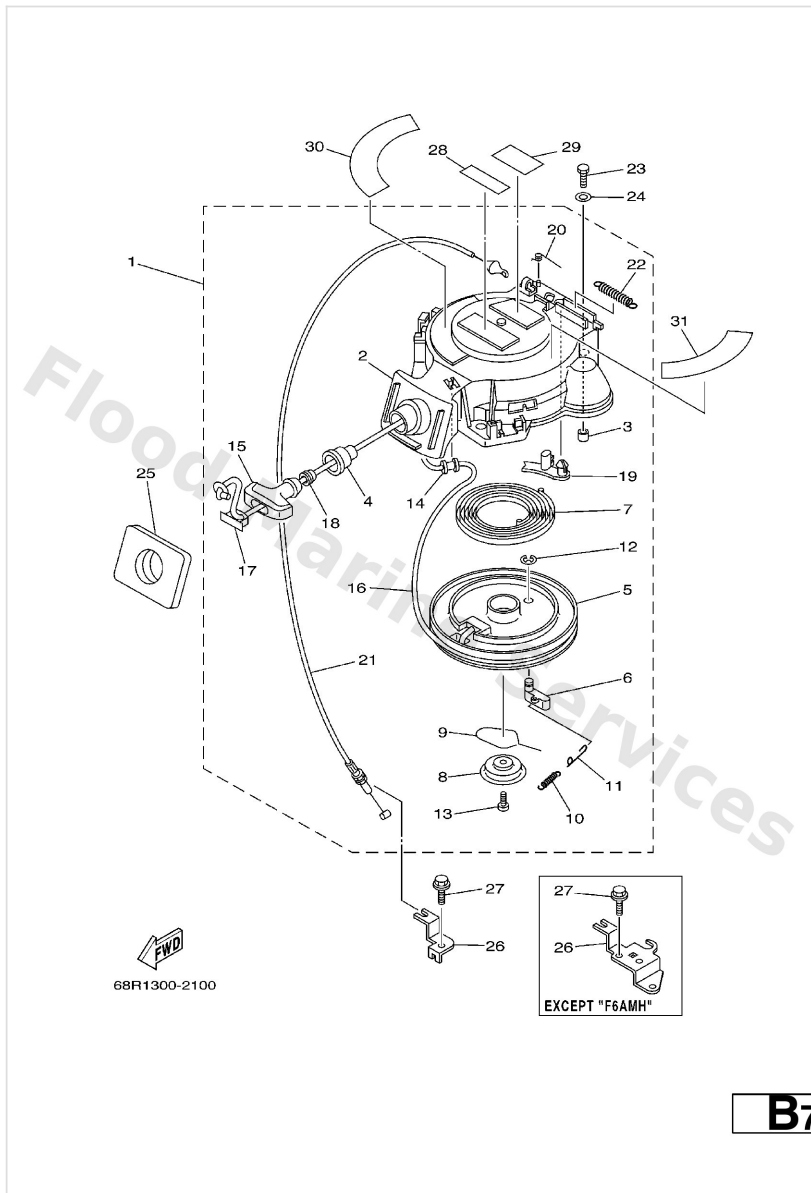
Ref	Part	
1	68T-W0001-20 Lower unit gasket kit	Buy now
2	93101-12M70 Oil seal	Buy now
3	90430-10M11 Gasket	Buy now
4	68T-13475-00 Gasket	Buy now
5	90430-08020 Gasket	Buy now
6	93101-15074 Oil seal (655)	Buy now
7	93210-49046 O-ring (620)	Buy now
8	93210-53M08 O-ring(50m)	Buy now
9	93210-44398 O-ring(55x)	Buy now
10	93101-11M23 Oil seal (6g1)	Buy now
11	68T-45315-A0 Packing, lower casing	Buy now
12	93210-06ME6 O-ring	Buy now
13	68T-W0078-00 Water pump repair kit	Buy now
14	63V-44322-00 Insert, cartridge	Buy now
15	68T-44366-00 Damper, water seal 2	Buy now

Repair Kit 3



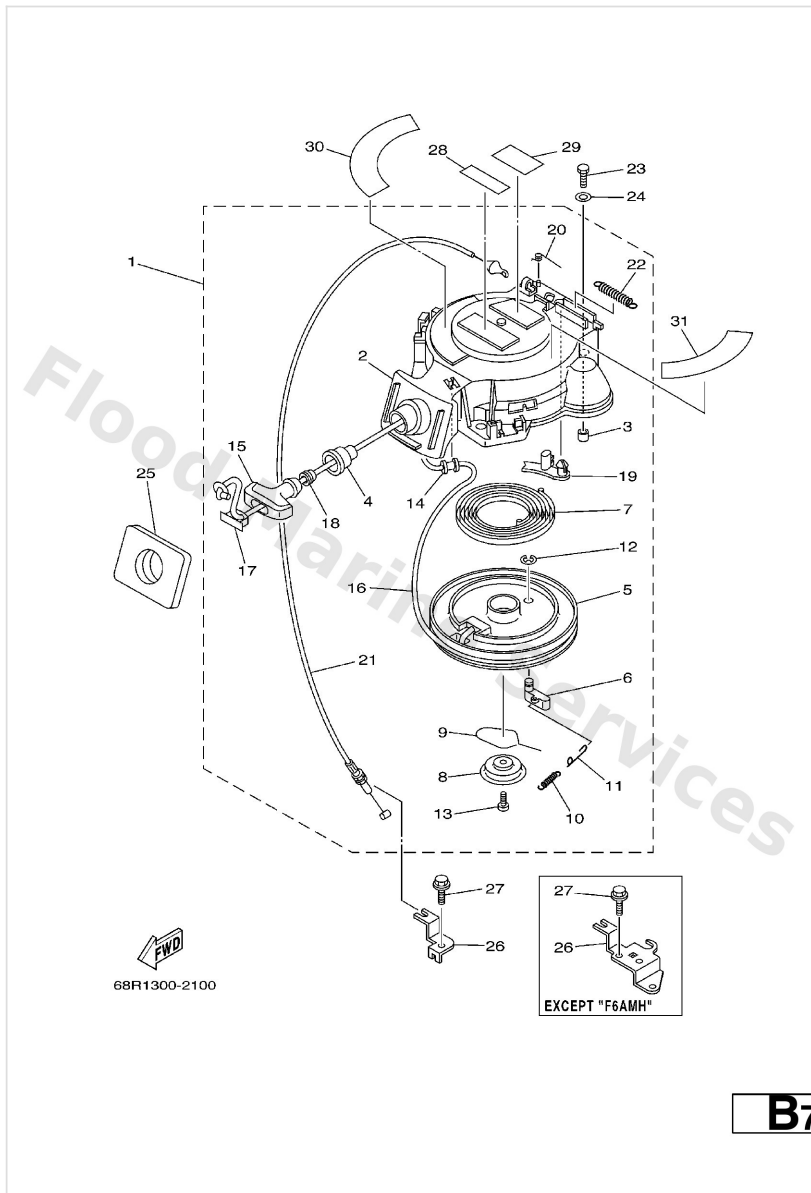
Ref	Part	
16	68T-44352-00 Impeller	Buy now
17	664-44338-00 Key, woodruff	Buy now
19	68T-44323-00 Outer plate, cartridge	Buy now
20	97080-08045 Bolt, hexagon	Buy now

Starter



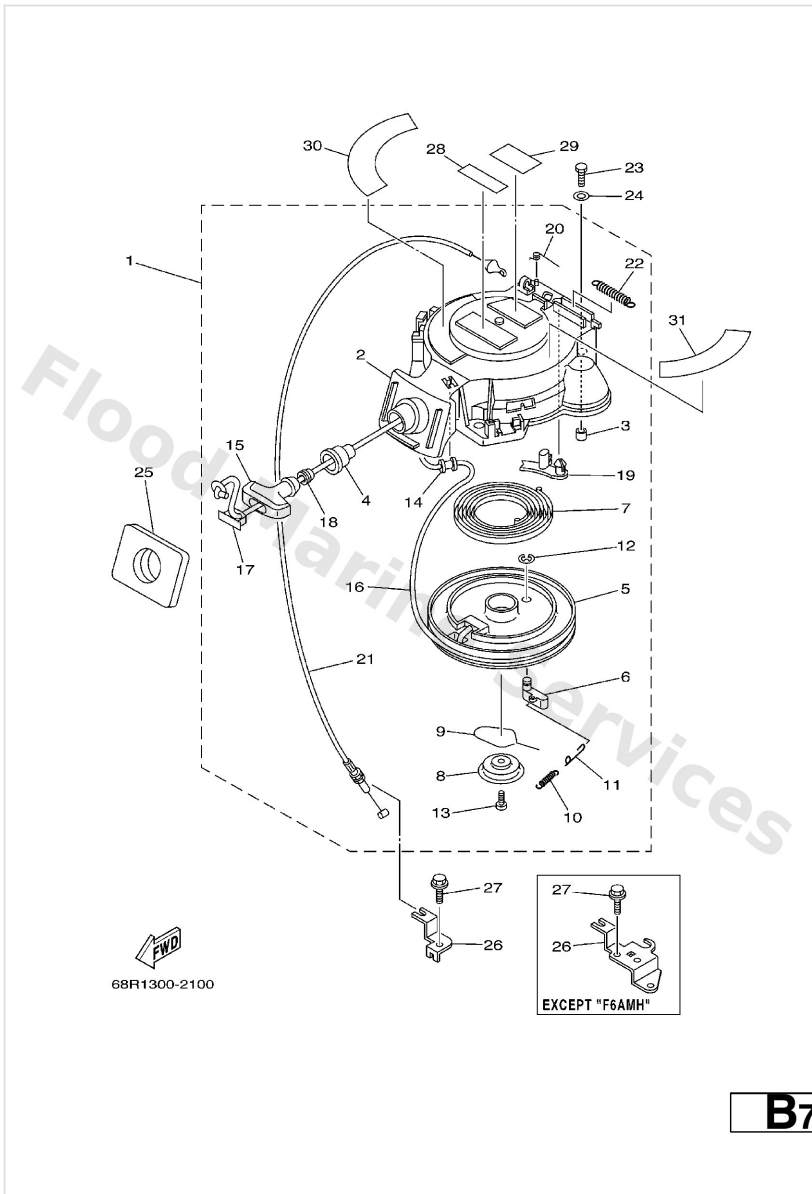
Ref	Part	
1	68T-15710-01 Starter assembly	Buy now
2	68T-15711-01 Case, Starter	Buy now
3	67D-15764-00 Collar 1	Buy now
4	68T-15795-00 Guide, rope	Buy now
5	63V-15714-00 Drum, sheave	Buy now
6	63V-15741-00 Pawl, drive	Buy now
7	63V-15713-00 Spring, starter	Buy now
8	68T-15716-00 Plate, drive	Buy now
9	63V-15705-01 Spring, drive pawl	Buy now
10	63V-15767-01 Spring	Buy now
11	68T-15784-00 Spring, return	Buy now
12	63V-15744-00 Circlip	Buy now
13	68T-15793-00 Screw	Buy now
14	68T-15764-00 Collar 1	Buy now
15	6G1-15755-00 Handle, starter	Buy now

Starter



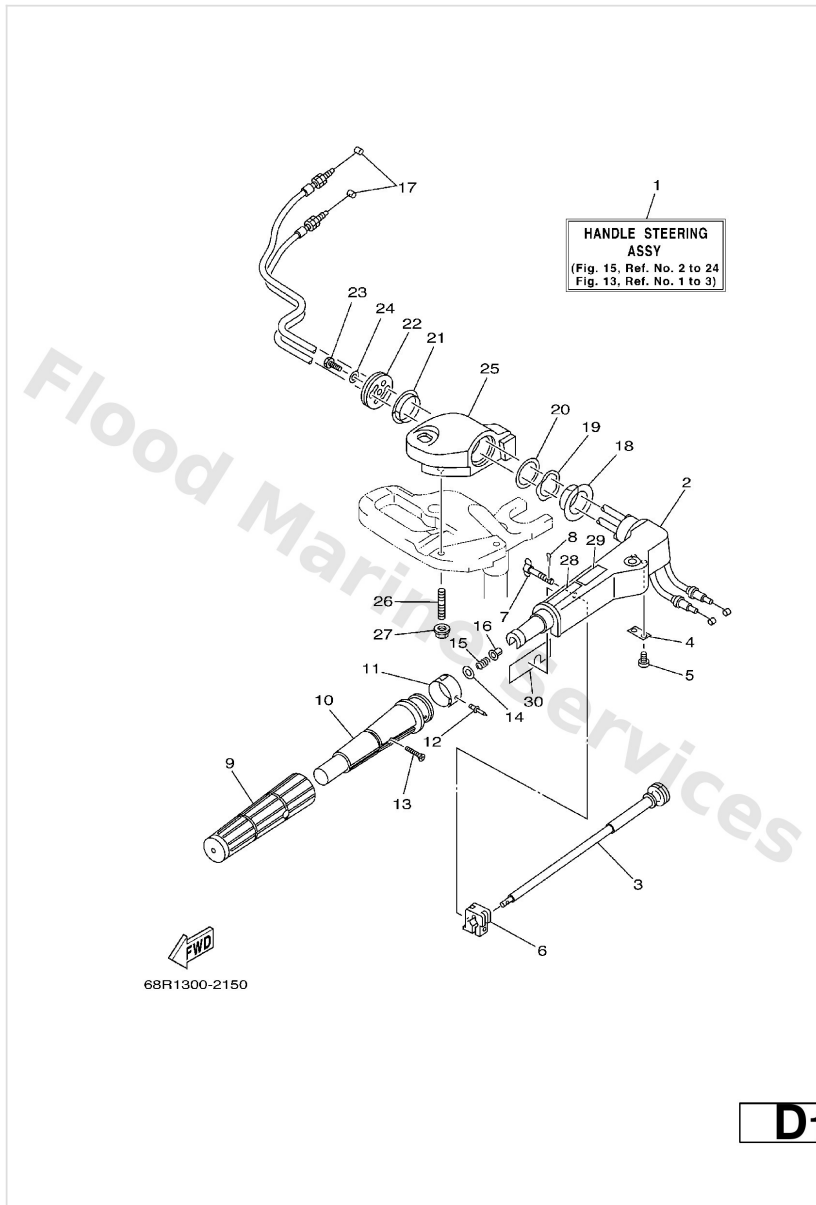
Ref	Part	
16	* item_description	Buy now
17	6G1-15779-00 Cover	Buy now
18	6A0-15789-00 Damper	Buy now
19	66T-15794-00 Stopper	Buy now
20	66T-15734-00 Spring, return	Buy now
21	68T-15770-00 Cable comp., starter stop	Buy now
22	66T-15731-00 Retainer, spring	Buy now
23	97095-06020 Bolt(7u8)	Buy now
24	92995-06600 Washer, plain (646)	Buy now
25	68T-15762-00 Seal, rubber 2	Buy now
26	68T-15774-00 Stay 4	Buy now
26	68T-15774-10 Stay 4	Buy now
27	90109-06M86 Bolt	Buy now
28	6A1-83625-41 Mark 5	Buy now
29	6A1-83625-51 Mark 5	Buy now

Starter



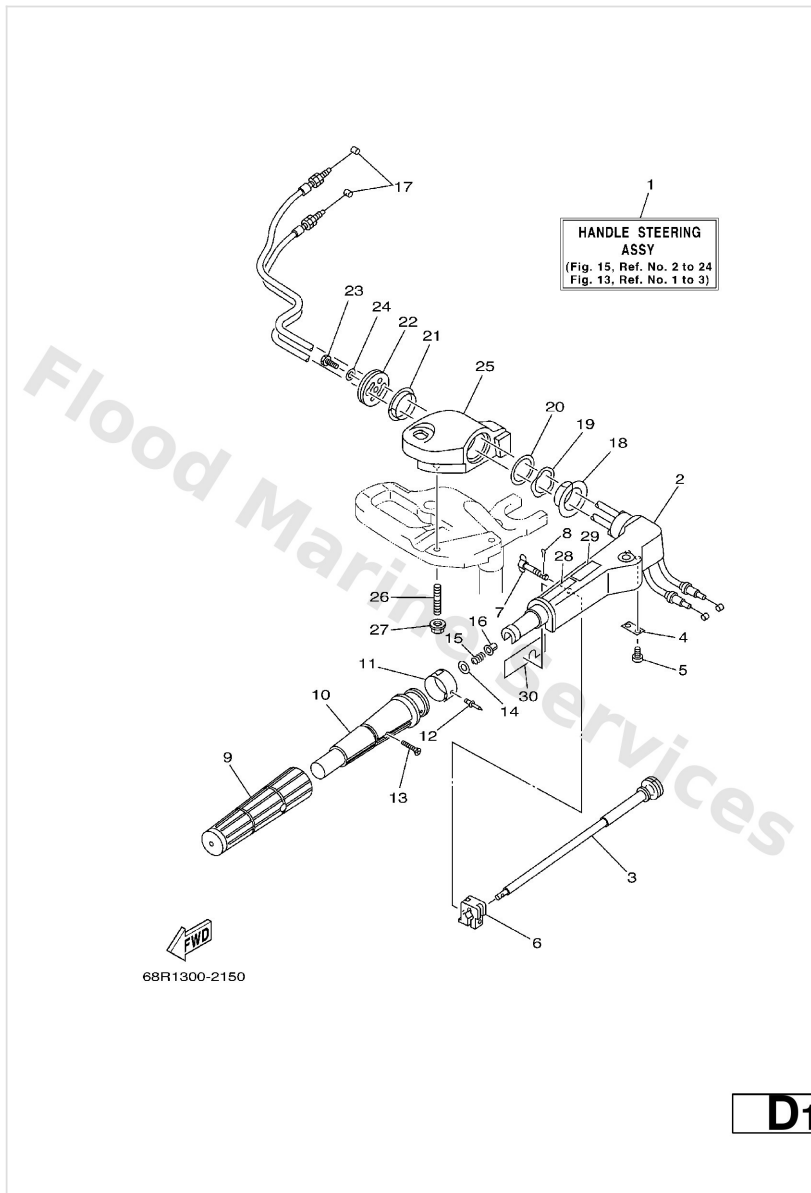
Ref	Part	
30	68T-13437-61 Mark, Caution	Buy now
31	68T-85711-60 Mark, caution	Buy now

Steering



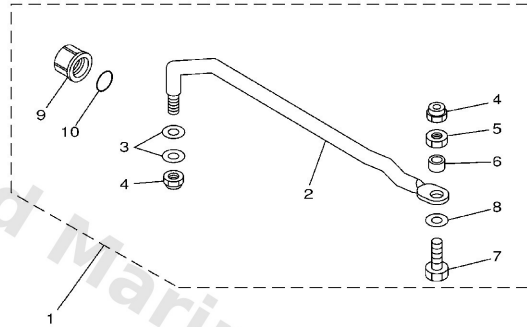
Ref	Part	
3	6G1-42138-01 Lever, throttle	Buy now
4	6E0-42159-02 Stay	Buy now
5	97885-05012 Screw, pan head (646)	Buy now
6	6G1-42126-00 Piece, friction	Buy now
7	6G1-42125-01 Bolt, friction adjusting	Buy now
8	91490-16010 Pin, cotter	Buy now
9	67D-42177-00 Rubber, handle	Buy now
10	67D-42119-00 Grip, steering handle	Buy now
11	68R-42137-10 Indicator, Throttle F6A	Buy now
11	68T-42137-00 Indicator, throttle F8C	Buy now
11	69F-42137-10 Indicator, Throttle F6B	Buy now
12	90269-02M09 Rivet(615)	Buy now
13	90149-05M13 Screw, countersunk	Buy now
14	92903-10600 Washer, plate	Buy now
15	90501-23215 Spring (655)	Buy now

Steering



Ref	Part	
16	90386-08032 Bushing (650)	Buy now
17	68T-26301-01 Throttle cable assembly	Buy now
18	90386-34M97 Bush(63v)	Buy now
19	90206-36M21 Washer, wave(63v)	Buy now
20	90202-36M55 Washer, plate(63v)	Buy now
21	90386-33M96 Bush(63v)	Buy now
22	68T-42131-00 Cover, Handle Steering	Buy now
23	97075-06025 Bolt	Buy now
24	92995-06600 Washer, plain (646)	Buy now
26	90116-10019 Bolt Stud	Buy now
27	90179-10M33 Nut	Buy now
28	6E0-83627-41 Label, caution 7	Buy now
29	6E0-83627-51 Label, Caution 7	Buy now
30	68T-1571Y-60 Mark, Caution	Buy now

Steering Guide

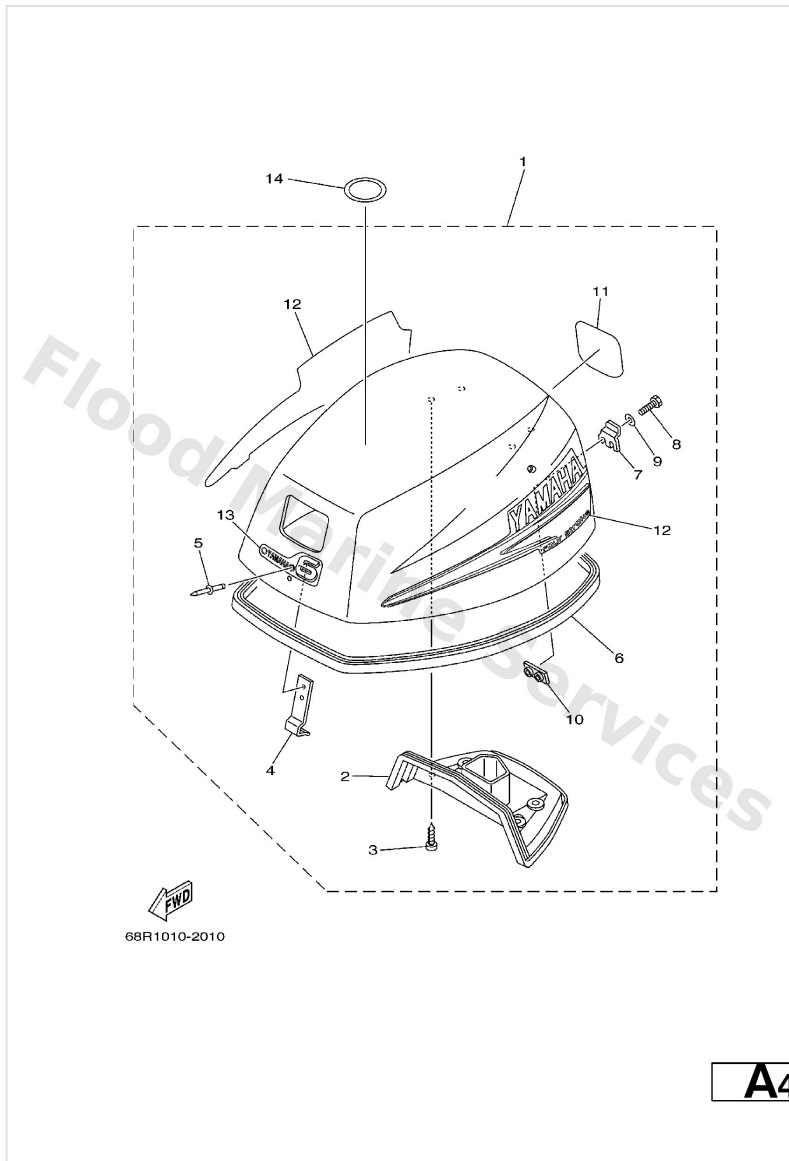


68R0300-0290

F2

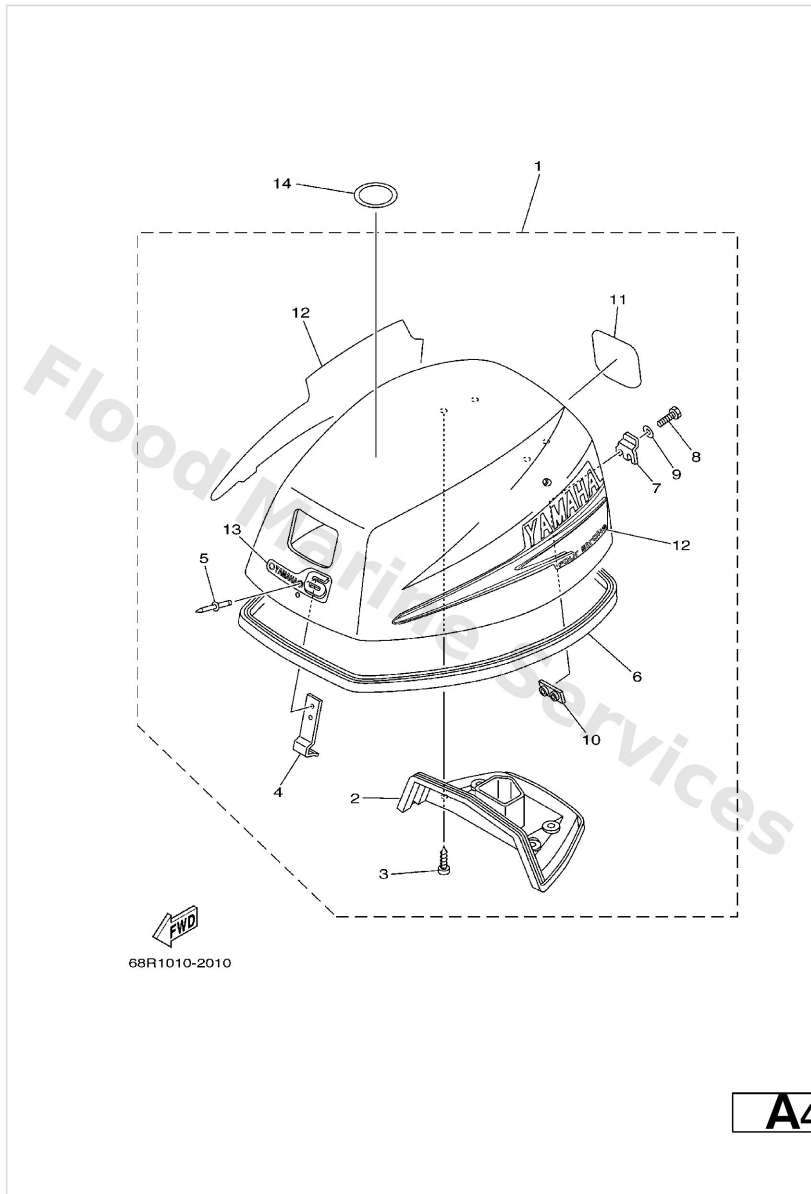
Ref	Part	
1	68T-61350-00 Steering guide attachment kit AP F8C	Buy now
2	68T-61351-00 Rod Steering Link	Buy now
3	90201-10M20 Washer, plate (663)	Buy now
4	90185-09M01 Nut, nylon (663)	Buy now
5	90170-09M03 Nut (689)	Buy now
6	90387-10M42 Coller (688)	Buy now
7	6E5-61355-00 Bolt	Buy now
8	90201-10M63 Washer, plate	Buy now
9	6E5-43145-01 Cap, clamp bracket	Buy now
10	93210-16275 O-ring	Buy now

Top Cowling



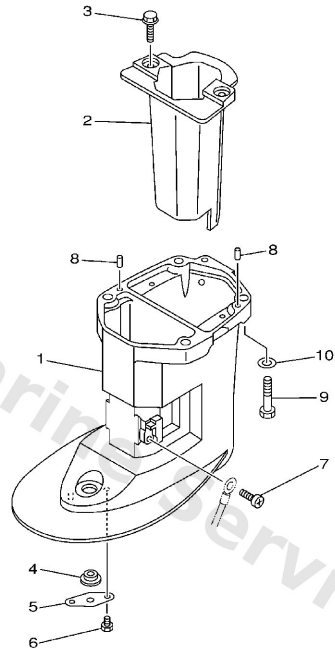
Ref	Part	
1	68R-42610-60-4D Top Cowling assembly F6A,F6B	Buy now
1	68T-42610-60-4D Top Cowling assembly F8C	Buy now
2	68T-42613-00 Molding Air Duct	Buy now
3	97780-60516 Screw, panhead tapping (j20)	Buy now
4	6G1-42651-02 Hook	Buy now
5	90266-04M04 Rivet(6e7)	Buy now
6	68T-42615-00 Seal	Buy now
7	68T-42652-00 Hook	Buy now
8	97095-05016 Bolt(6a1)	Buy now
9	92995-05600 Washer, plain (646)	Buy now
10	68T-42649-00 Holder, clamp band	Buy now
11	68R-42678-20 Graphic, rear F6A,F6B	Buy now
11	68T-42678-20 Graphic, rear F8C	Buy now
12	68T-W0070-60 Graphic set	Buy now
13	68R-42677-00 Graphic, Front F6A,F6B	Buy now

Top Cowling



Ref	Part	
13	68T-42677-00 Graphic, front F8C	Buy now
14	67F-13434-02 Label, Caution	Buy now

Upper Casing

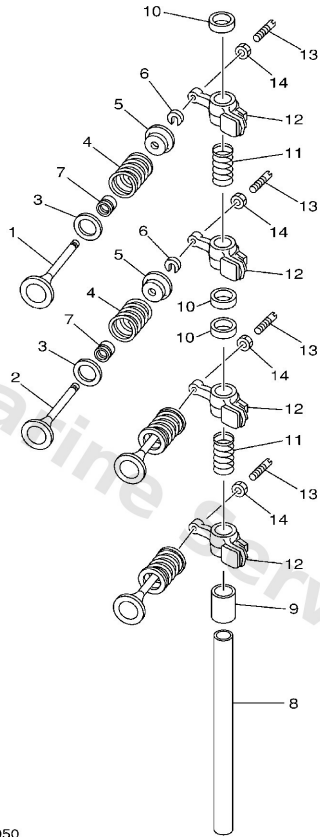



68R0010-0220

E1

Ref	Part	
1	68T-45111-00-4D Casing upper S	Buy now
1	68T-45111-10-4D Casing, upper L	Buy now
2	68T-14711-00-5B Muffler 1	Buy now
3	97575-06514 Bolt, hexagon w/w deep recess	Buy now
4	90480-14M54 Grommet	Buy now
5	68T-45321-00 Plate	Buy now
6	97095-06008 Bolt (fj1)	Buy now
7	97885-05008 Screw, pan head	Buy now
8	93604-12M07 Pin, dowel (688)	Buy now
9	97075-08035 Bolt(70w)	Buy now
10	92995-08600 Washer, plain (663)	Buy now

Valve




68R0010-0050

B1

Ref	Part	
1	67D-12111-00 Valve, intake	Buy now
2	67D-12121-00 Valve, exhaust	Buy now
3	68T-12116-00 Seat, valve spring	Buy now
4	68T-12113-00 Spring, valve inne	Buy now
5	7NJ-12117-00 Retainer, valve spring	Buy now
6	7NJ-12118-00 Cotter, valve	Buy now
7	51Y-12119-00 Seal, valve stem	Buy now
8	68T-12146-00 Shaft, rocker	Buy now
9	90387-13M56 Collar (6g8)	Buy now
10	90387-14M03 Collar	Buy now
11	90501-12M40 Spring, compression (6g8)	Buy now
12	68T-12151-00 Arm, valve rocker	Buy now
13	6G8-12159-00 Screw, valve adjusting	Buy now
14	6G8-12158-00 Nut, lock	Buy now

Disclaimer

This document is provided for convenience only. It is **not** an official Yamaha publication and is **not supplied, endorsed, or approved** by Yamaha Motor Co., Ltd.

Reasonable efforts are made to keep information accurate; however diagrams, part references, supersessions, descriptions, and applicability may contain errors or omissions. Specifications and part availability may change without notice.

You are responsible for confirming the correct parts for your engine (including model code, year, serial range, and any superseded part numbers) before ordering or fitting.