



FLOOD MARINE SERVICES

# Yamaha FT8DMH 2010

Parts Manual

[www.floodmarine.co.uk](http://www.floodmarine.co.uk)

+44 2882 246 539

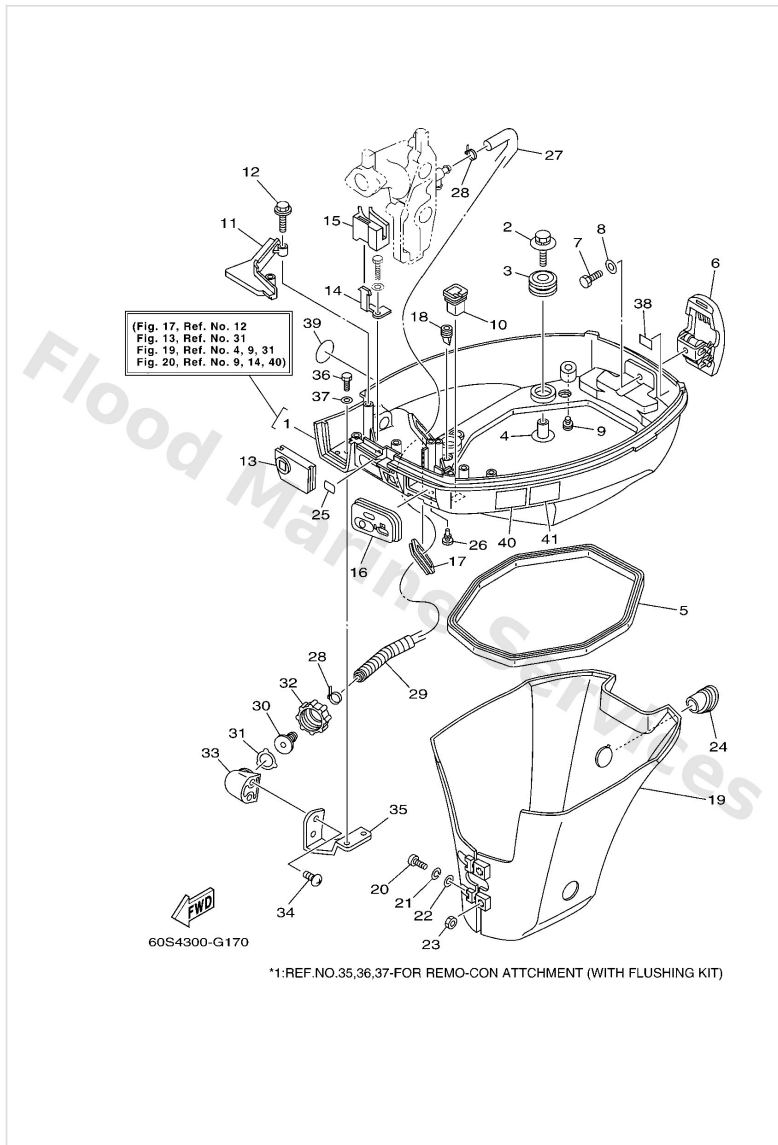
Authorised Yamaha Dealers



# Contents

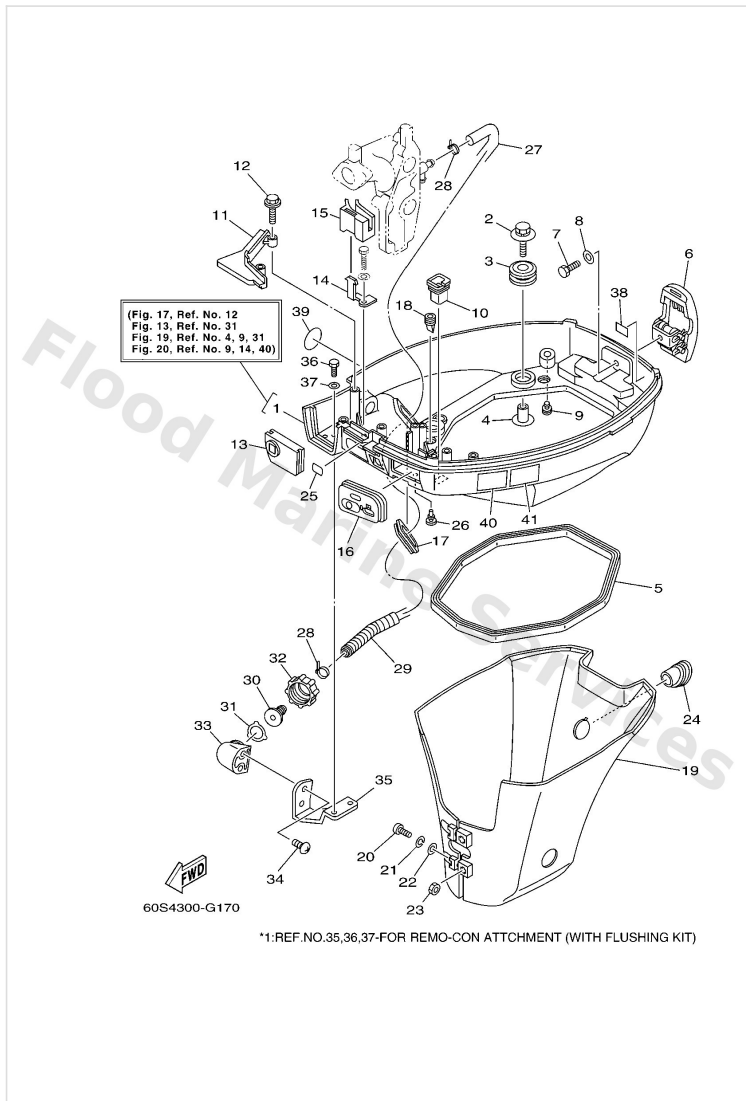
<b>BOTTOM COWLING</b>	3
<b>BRACKET 1</b>	6
<b>BRACKET 2</b>	9
<b>BRACKET 3</b>	12
<b>CARBURETOR</b>	14
<b>CONTROL 1</b>	16
<b>CONTROL 2</b>	18
<b>CRANKSHAFT &amp; PISTON</b>	21
<b>CYLINDER &amp; CRANKCASE 1</b>	23
<b>CYLINDER &amp; CRANKCASE 2</b>	25
<b>ELECTRICAL 1</b>	27
<b>ELECTRICAL 2</b>	28
<b>ELECTRICAL 3</b>	31
<b>ELECTRICAL 4</b>	33
<b>FUEL</b>	34
<b>FUEL TANK</b>	37
<b>GENERATOR</b>	38
<b>INTAKE</b>	40
<b>LOWER CASING &amp; DRIVE 1</b>	42
<b>LOWER CASING &amp; DRIVE 2</b>	46
<b>OIL PAN</b>	48
<b>OIL PUMP</b>	50
<b>OPTIONAL PARTS 1</b>	52
<b>OPTIONAL PARTS 2</b>	55
<b>POWER TILT ASSY</b>	56
<b>REMO CON ATTACHMENT</b>	61
<b>REMOTE CONTROL ASSY</b>	62
<b>REMOTE CONTROL BOX</b>	67
<b>REPAIR KIT 1</b>	68
<b>REPAIR KIT 2</b>	70
<b>REPAIR KIT 3</b>	71
<b>STARTER</b>	73
<b>STARTING MOTOR</b>	75
<b>STEERING</b>	77
<b>STEERING GUIDE</b>	81
<b>TOP COWLING</b>	82
<b>UPPER CASING</b>	84
<b>VALVE</b>	85

# Bottom Cowling



Ref	Part	
1	<a href="#">60RG2710004D</a> Bottom cowling assembly WITH TAPPING BOLT	<a href="#">Buy now</a>
2	<a href="#">68F8511900</a> Bolt	<a href="#">Buy now</a>
3	<a href="#">9048021M82</a> Grommet	<a href="#">Buy now</a>
4	<a href="#">9038706176</a> Collar	<a href="#">Buy now</a>
5	<a href="#">68T4271610</a> Rubber, seal 1	<a href="#">Buy now</a>
6	<a href="#">68T4280100</a> Cowling clamp comp.	<a href="#">Buy now</a>
36	<a href="#">9709506012</a> Bolt(gh1) FLUSHING KIT	<a href="#">Buy now</a>
37	<a href="#">9299506600</a> Washer, plain (646) FLUSHING KIT	<a href="#">Buy now</a>
9	<a href="#">6H34439101</a> Nipple, hose	<a href="#">Buy now</a>
10	<a href="#">6824272700</a> Grommet	<a href="#">Buy now</a>
11	<a href="#">68T42738004D</a> Plate, fitting	<a href="#">Buy now</a>
12	<a href="#">9010906M81</a> Bolt	<a href="#">Buy now</a>
13	<a href="#">68T4272500</a> Grommet	<a href="#">Buy now</a>
13	<a href="#">68T4272510</a> Grommet	<a href="#">Buy now</a>
14	<a href="#">68T2639300</a> Holder	<a href="#">Buy now</a>

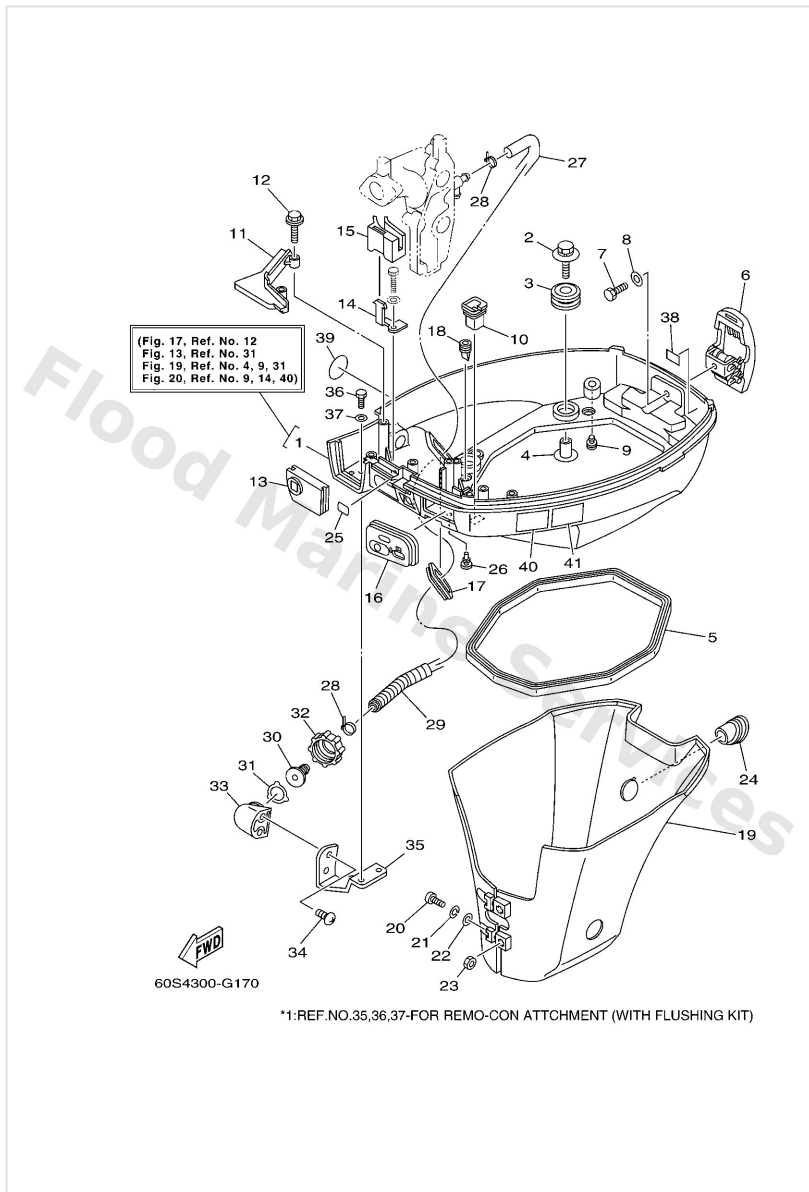
# Bottom Cowling



Ref	Part	
15	<a href="#">68T2636700</a> Protector	<a href="#">Buy now</a>
16	<a href="#">68T4272420</a> Grommet	<a href="#">Buy now</a>
17	<a href="#">6884272610</a> Grommet FLUSHING KIT	<a href="#">Buy now</a>
17	<a href="#">69G4272600</a> Grommet FLUSHING KIT	<a href="#">Buy now</a>
18	<a href="#">60SG271700</a> Rubber, seal 2	<a href="#">Buy now</a>
19	<a href="#">60RG274100</a> Apron	<a href="#">Buy now</a>
20	<a href="#">9788506030</a> Screw, pan head(6e0)	<a href="#">Buy now</a>
21	<a href="#">9299506100</a> Washer(6a1)	<a href="#">Buy now</a>
23	<a href="#">9538006600</a> Nut(661)	<a href="#">Buy now</a>
24	<a href="#">68T4271700</a> Rubber, seal 2	<a href="#">Buy now</a>
25	<a href="#">60RH434200</a> Seat, emblem	<a href="#">Buy now</a>
26	<a href="#">9048006M19</a> Grommet (6e3)	<a href="#">Buy now</a>
27	<a href="#">60SE248100</a> Pipe 1 FLUSHING KIT	<a href="#">Buy now</a>
28	<a href="#">9046511M10</a> Clamp FLUSHING KIT	<a href="#">Buy now</a>
29	<a href="#">9044713M00</a> Hose, with spring FLUSHING KIT	<a href="#">Buy now</a>

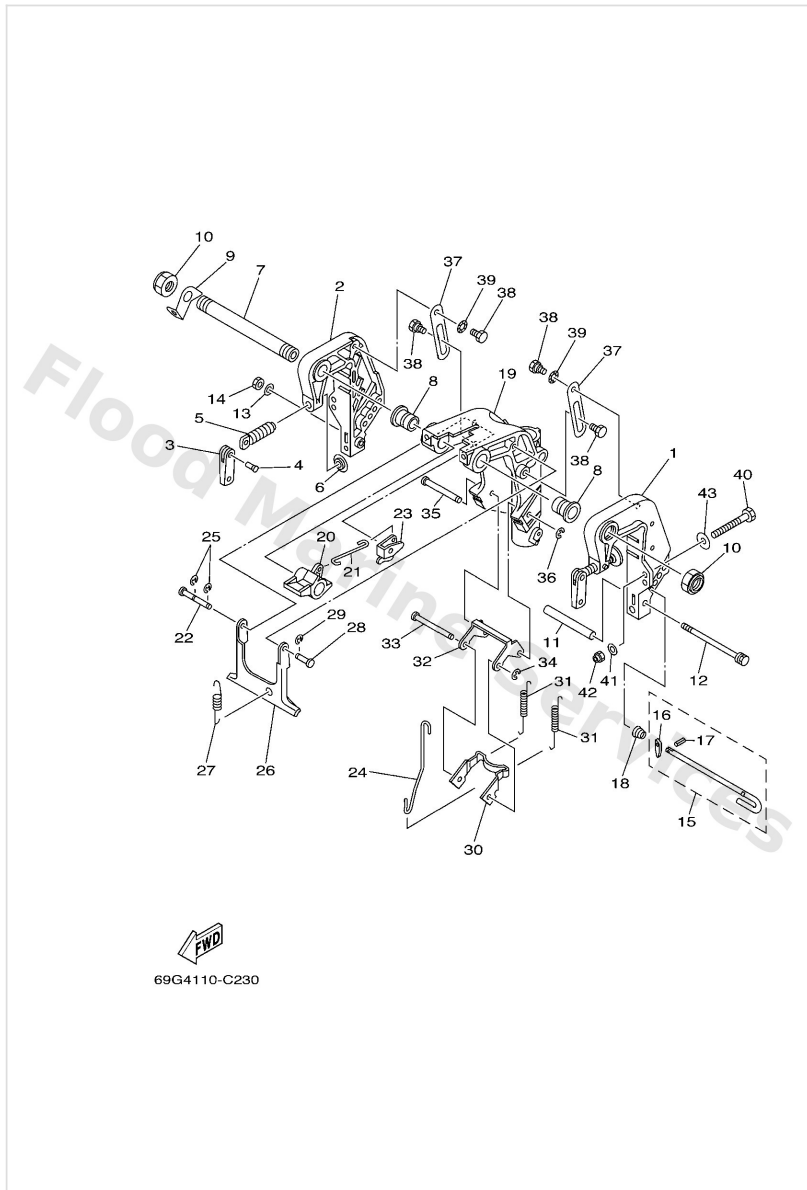


# Bottom Cowling



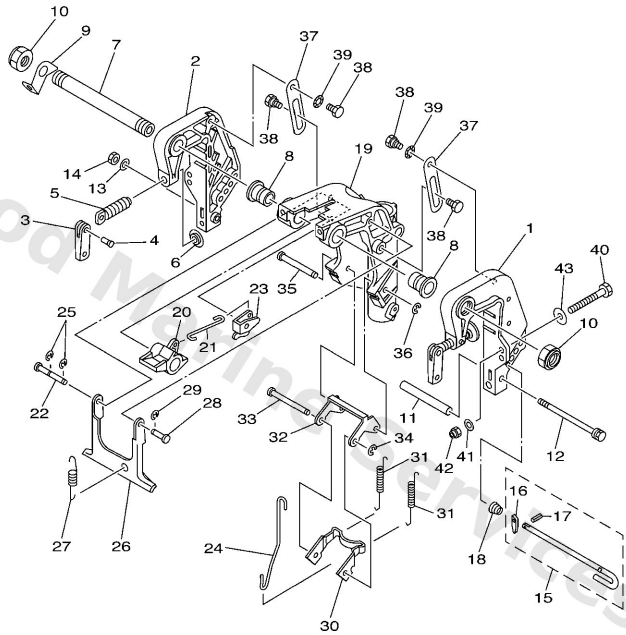
Ref	Part	
30	<a href="#">6R31258200</a> Joint, hose 2 FLUSHING KIT	<a href="#">Buy now</a>
31	<a href="#">6R31258300</a> Gasket, hose joint FLUSHING KIT	<a href="#">Buy now</a>
32	<a href="#">6R31258100</a> Joint, hose 1 FLUSHING KIT	<a href="#">Buy now</a>
33	<a href="#">68T1257200</a> Adapter FLUSHING KIT	<a href="#">Buy now</a>
34	<a href="#">9016706002</a> Screw, tapping FLUSHING KIT	<a href="#">Buy now</a>
35	<a href="#">68T1253500</a> Plate FLUSHING KIT	<a href="#">Buy now</a>
35	<a href="#">68T1253510</a> Plate *1	<a href="#">Buy now</a>
36	<a href="#">9709506010</a> Bolt *1	<a href="#">Buy now</a>
38	<a href="#">6H84279110</a> Mark 1	<a href="#">Buy now</a>
39	<a href="#">60RF415E00</a> Label Caution FOR SAV	<a href="#">Buy now</a>
40	<a href="#">6AH4279440</a> Label, warning (ge	<a href="#">Buy now</a>
41	<a href="#">6AH4279450</a> Label, warning (ge	<a href="#">Buy now</a>

# Bracket 1



Ref	Part	
1	<a href="#">60RG3111014D</a> Bracket clamp 1	<a href="#">Buy now</a>
2	<a href="#">60RG3112014D</a> Bracket clamp 2	<a href="#">Buy now</a>
3	<a href="#">6L8G311801</a> Handle, transom cl	<a href="#">Buy now</a>
4	<a href="#">9024304M01</a> Pin(6a1)	<a href="#">Buy now</a>
5	<a href="#">6E74311600</a> Screw, transom clamp	<a href="#">Buy now</a>
6	<a href="#">6484311401</a> Pad, transom clamp	<a href="#">Buy now</a>
7	<a href="#">63V4313110</a> Bolt, clamp bracket <b>FOR REMOTE CONTROL</b>	<a href="#">Buy now</a>
8	<a href="#">9038622MA4</a> Bush	<a href="#">Buy now</a>
9	<a href="#">66R4311300</a> Plate, clamp bracket	<a href="#">Buy now</a>
10	<a href="#">9018522043</a> Nut, self-locking	<a href="#">Buy now</a>
11	<a href="#">9038706M13</a> Collar(6h6)	<a href="#">Buy now</a>
12	<a href="#">9010106M18</a> Bolt(6I5)	<a href="#">Buy now</a>
13	<a href="#">9299006600</a> Washer, plain (646)	<a href="#">Buy now</a>
14	<a href="#">9538006700</a> Nut	<a href="#">Buy now</a>
15	<a href="#">6L24316001</a> Tilt rod assembly	<a href="#">Buy now</a>

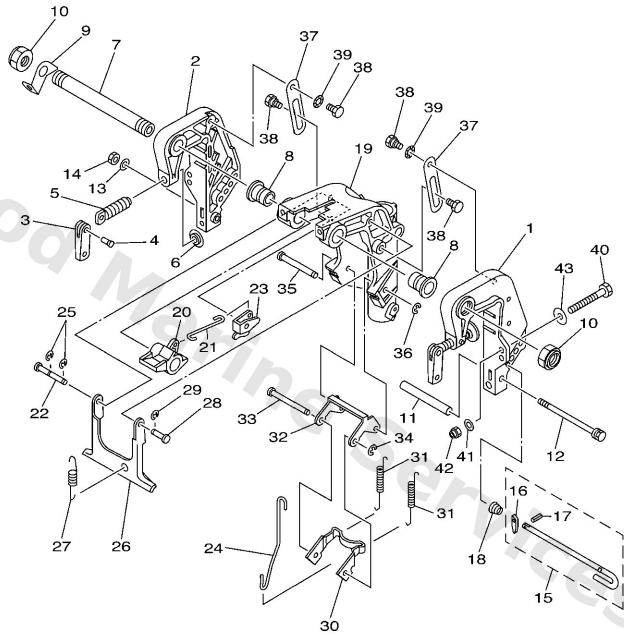
# Bracket 1



**FWD**  
69G4110-C230

Ref	Part	
16	<a href="#">6894316500</a> Plate, tilt lock	<a href="#">Buy now</a>
17	<a href="#">9169030008</a> Pin. spring(656)	<a href="#">Buy now</a>
18	<a href="#">9050210M07</a> Spring, conical(6k3)	<a href="#">Buy now</a>
19	<a href="#">60RG3311104D</a> Bracket swivel1	<a href="#">Buy now</a>
20	<a href="#">60RG363100</a> Lever Tilt	<a href="#">Buy now</a>
21	<a href="#">60RG361600</a> Rod Tilt Lock	<a href="#">Buy now</a>
22	<a href="#">68T4364600</a> Shaft, lever	<a href="#">Buy now</a>
23	<a href="#">68T4364100</a> Lever, tilt	<a href="#">Buy now</a>
24	<a href="#">68T4361700</a> Rod, tilt lock	<a href="#">Buy now</a>
25	<a href="#">9908005600</a> Circlip(22k)	<a href="#">Buy now</a>
26	<a href="#">68T4335000</a> Receiver assembly	<a href="#">Buy now</a>
27	<a href="#">9050620005</a> Spring, tension	<a href="#">Buy now</a>
28	<a href="#">63V4319100</a> Shaft, stopper	<a href="#">Buy now</a>
30	<a href="#">68T4361400</a> Plate, tilt lock	<a href="#">Buy now</a>
31	<a href="#">9050623803</a> -	<a href="#">Buy now</a>

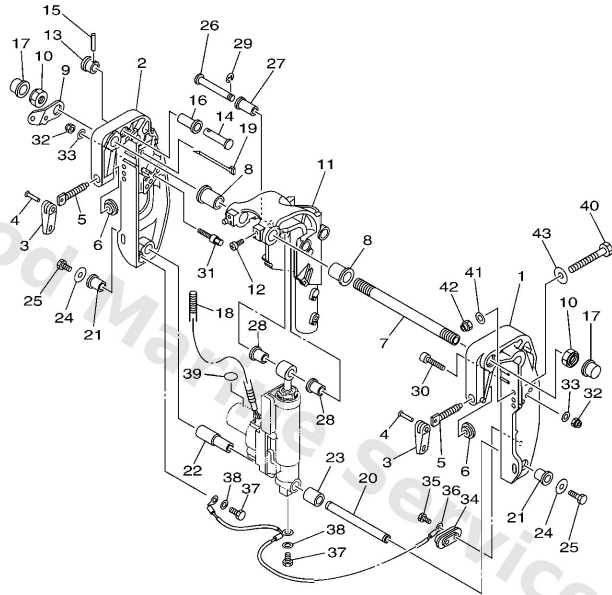
# Bracket 1



69G4110-C230

Ref	Part	
32	<a href="#">68T4361500</a> Plate, tilt lock	<a href="#">Buy now</a>
33	<a href="#">68T4361100</a> Shaft, tilt lock	<a href="#">Buy now</a>
34	<a href="#">9343004M03</a> Circlip (eu0)	<a href="#">Buy now</a>
35	<a href="#">68T4365900</a> Shaft, reverse lock	<a href="#">Buy now</a>
37	<a href="#">68T4362700</a> Stopper	<a href="#">Buy now</a>
38	<a href="#">9010906M84</a> Bolt	<a href="#">Buy now</a>
39	<a href="#">9020610M24</a> Washer, wave	<a href="#">Buy now</a>
40	<a href="#">9010108M88</a> Bolt (6g8)	<a href="#">Buy now</a>
41	<a href="#">9299008600</a> Washer, plain (663)	<a href="#">Buy now</a>
42	<a href="#">9018508057</a> Nut, nylon (6j8)	<a href="#">Buy now</a>
43	<a href="#">9020108MA4</a> Washer, plate (6g8)	<a href="#">Buy now</a>

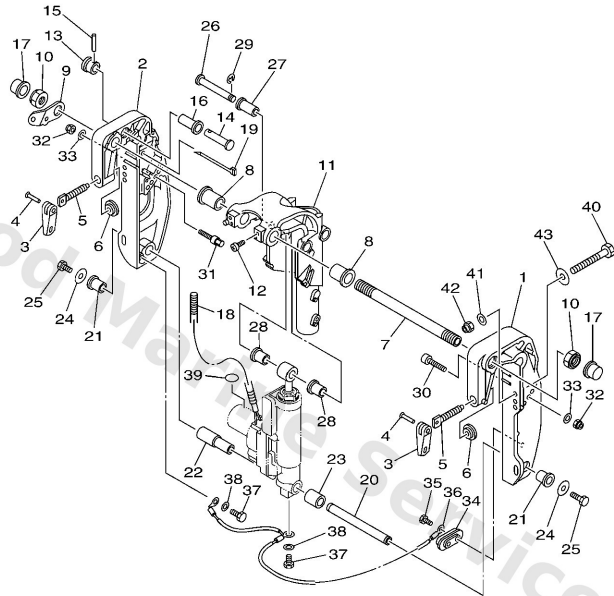
## Bracket 2



  
60S3110-F240

Ref	Part	
1	<a href="#">69A43111014D</a> Bracket, clamp 1	<a href="#">Buy now</a>
2	<a href="#">69A43112014D</a> Bracket, clamp 2	<a href="#">Buy now</a>
3	<a href="#">6L8G311801</a> Handle, transom cl	<a href="#">Buy now</a>
4	<a href="#">9024304M01</a> Pin(6a1)	<a href="#">Buy now</a>
5	<a href="#">6E74311600</a> Screw, transom clamp	<a href="#">Buy now</a>
6	<a href="#">6484311401</a> Pad, transom clamp	<a href="#">Buy now</a>
7	<a href="#">69A4313100</a> Bolt, clamp bracket <b>FOR REMOTE CONTROL</b>	<a href="#">Buy now</a>
8	<a href="#">9038622MA4</a> Bush	<a href="#">Buy now</a>
9	<a href="#">69A4311300</a> Plate, clamp bracket	<a href="#">Buy now</a>
10	<a href="#">9018522043</a> Nut, self-locking	<a href="#">Buy now</a>
11	<a href="#">69G43311114D</a> Bracket, swivel 1	<a href="#">Buy now</a>
12	<a href="#">9788508010</a> Rivet	<a href="#">Buy now</a>
13	<a href="#">65W4319200</a> Knob, stopper	<a href="#">Buy now</a>
14	<a href="#">65W4319100</a> Shaft, stopper	<a href="#">Buy now</a>
15	<a href="#">9169030018</a> 926-51502-00 pin, spring (700)	<a href="#">Buy now</a>

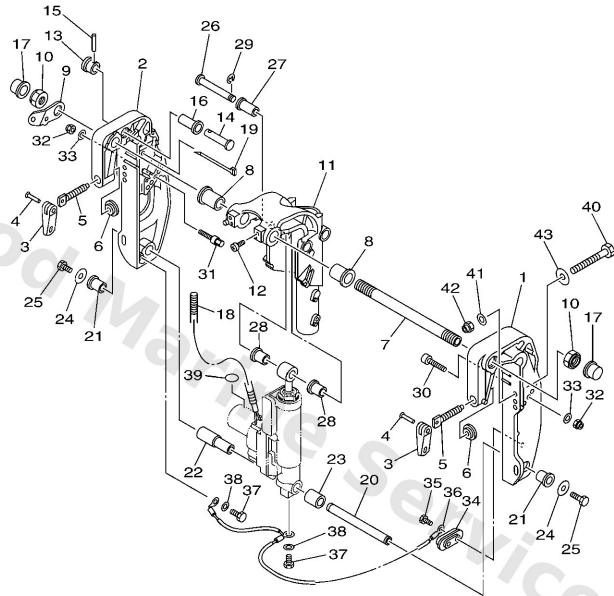
## Bracket 2



  
60S3110-F240

Ref	Part	
16	<a href="#">9038614MA1</a> Bush	<a href="#">Buy now</a>
17	<a href="#">6G54314501</a> Cap, clamp bracket	<a href="#">Buy now</a>
18	<a href="#">9044710001</a> Hose, with spring	<a href="#">Buy now</a>
19	<a href="#">9046513M97</a> Clamp	<a href="#">Buy now</a>
20	<a href="#">69G4381800</a> Pin, lower shock mount	<a href="#">Buy now</a>
21	<a href="#">9038616MA7</a> Bush	<a href="#">Buy now</a>
22	<a href="#">9038616MA8</a> Bush	<a href="#">Buy now</a>
23	<a href="#">9038716M02</a> Collar	<a href="#">Buy now</a>
24	<a href="#">9020108M00</a> Washer, plate(6e0)	<a href="#">Buy now</a>
25	<a href="#">9708008016</a> Bolt	<a href="#">Buy now</a>
26	<a href="#">9024912M36</a> Pin	<a href="#">Buy now</a>
27	<a href="#">9038112M10</a> Bush, solid	<a href="#">Buy now</a>
28	<a href="#">9038112M11</a> Bush, solid	<a href="#">Buy now</a>
29	<a href="#">9908010600</a> Circlip	<a href="#">Buy now</a>
30	<a href="#">9011008M05</a> Bolt, hexagon socket head	<a href="#">Buy now</a>

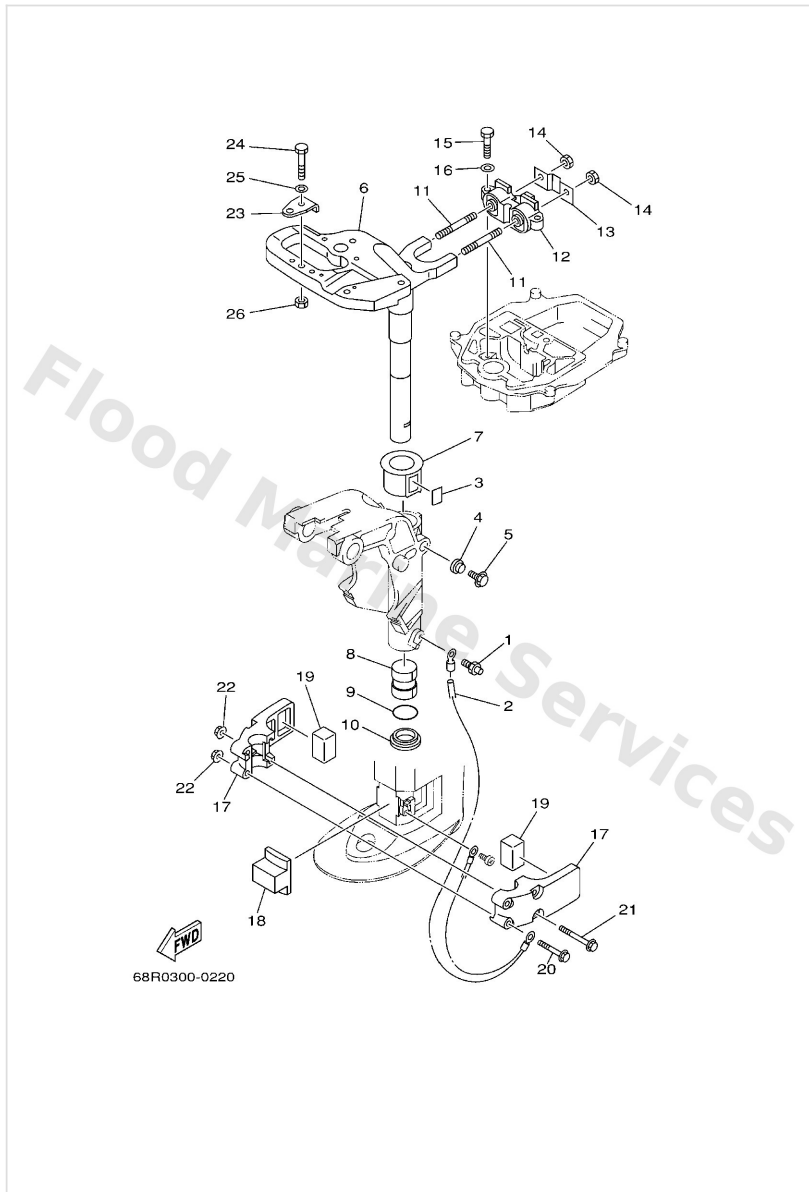
## Bracket 2



60S3110-F240

Ref	Part	
31	<a href="#">9010908010</a> Bolt	<a href="#">Buy now</a>
32	<a href="#">9018508057</a> Nut, nylon (6j8)	<a href="#">Buy now</a>
33	<a href="#">9299008600</a> Washer, plain (663)	<a href="#">Buy now</a>
34	<a href="#">65W4525100</a> Anode	<a href="#">Buy now</a>
35	<a href="#">9010106020</a> Bolt	<a href="#">Buy now</a>
36	<a href="#">63V8212700</a> Wire, lead 2	<a href="#">Buy now</a>
37	<a href="#">9709506010</a> Bolt	<a href="#">Buy now</a>
38	<a href="#">9299506600</a> Washer, plain (646)	<a href="#">Buy now</a>
39	<a href="#">60SG315500</a> Mark 1	<a href="#">Buy now</a>
40	<a href="#">9010108M88</a> Bolt (6g8)	<a href="#">Buy now</a>
43	<a href="#">9020108MA4</a> Washer, plate (6g8)	<a href="#">Buy now</a>

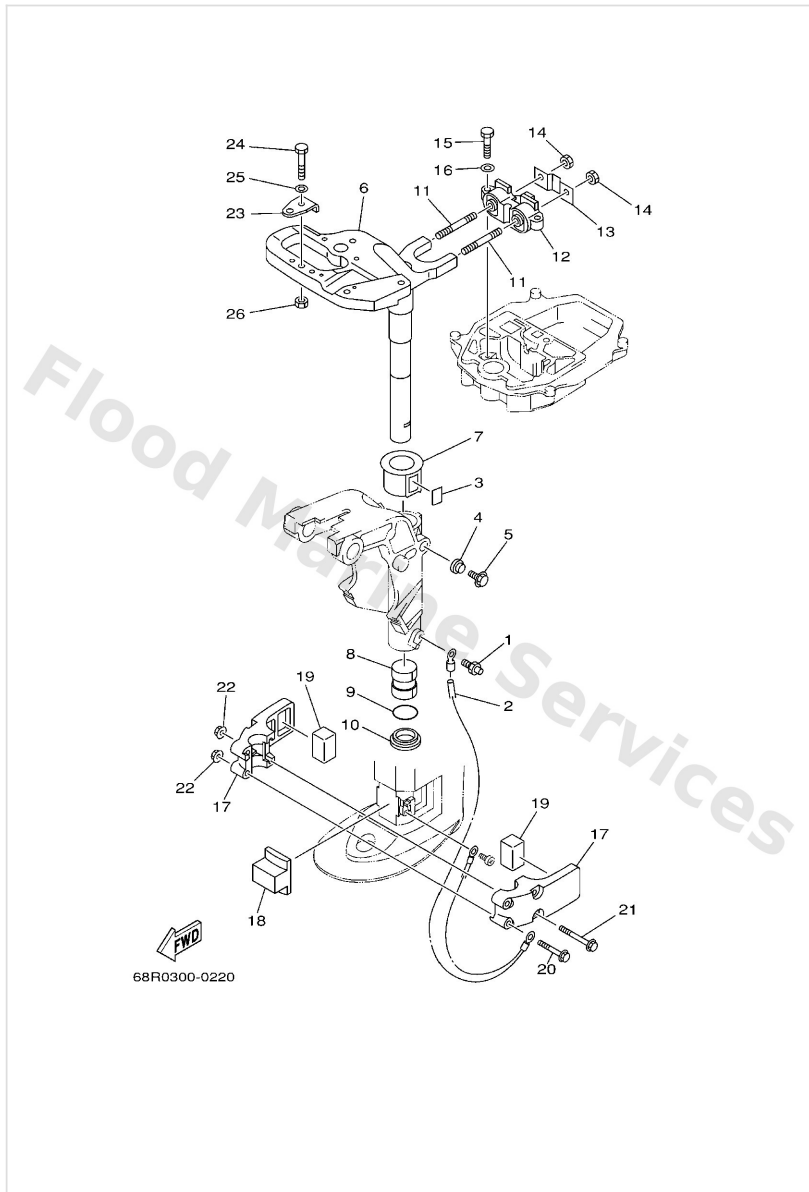
## Bracket 3



Ref	Part	
1	<a href="#">9370006M03</a> Nipple, grease(6a1)	<a href="#">Buy now</a>
2	<a href="#">68T8212700</a> Wire, lead 2	<a href="#">Buy now</a>
3	<a href="#">63V4252800</a> Plate, friction	<a href="#">Buy now</a>
4	<a href="#">6894337301</a> Seal, damper	<a href="#">Buy now</a>
5	<a href="#">9010506M07</a> Bolt (689)	<a href="#">Buy now</a>
6	<a href="#">60RG2511114D</a> Bracket, steering	<a href="#">Buy now</a>
7	<a href="#">63V4253700</a> Bushing, pivot shaft	<a href="#">Buy now</a>
8	<a href="#">9038630048</a> Bush	<a href="#">Buy now</a>
9	<a href="#">9321029M94</a> O-ring(6h1)	<a href="#">Buy now</a>
10	<a href="#">9038630M60</a> Bush(6j8)	<a href="#">Buy now</a>
11	<a href="#">9011608M54</a> Bolt, stud(63v)	<a href="#">Buy now</a>
12	<a href="#">68T445171094</a> Mount rubber	<a href="#">Buy now</a>
13	<a href="#">68T4452600</a> Plate	<a href="#">Buy now</a>
14	<a href="#">9538008600</a> Nut (661)	<a href="#">Buy now</a>
15	<a href="#">9707506025</a> Bolt	<a href="#">Buy now</a>

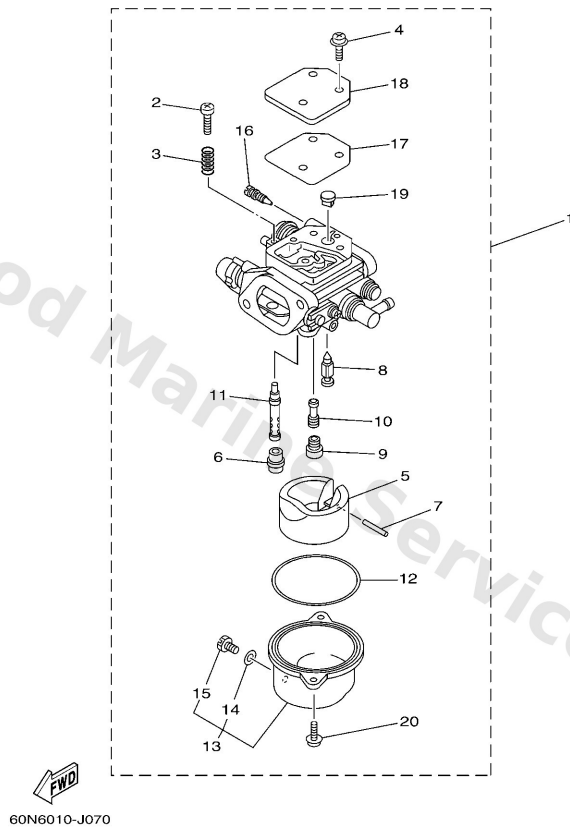


# Bracket 3



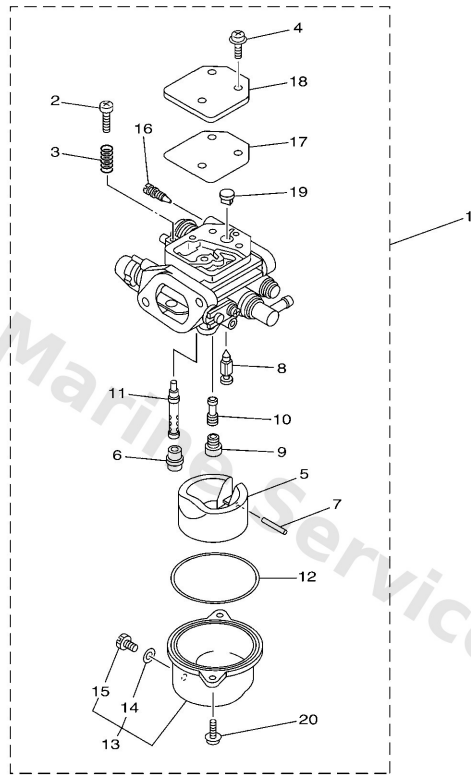
Ref	Part	
16	<a href="#">9299506600</a> Washer, plain (646)	<a href="#">Buy now</a>
17	<a href="#">68T44551004D</a> Housing, lower mount rubber 1	<a href="#">Buy now</a>
18	<a href="#">60RG455700</a> Mount Damper Lower Front	<a href="#">Buy now</a>
19	<a href="#">60RG455500</a> Mount damper, lower side	<a href="#">Buy now</a>
20	<a href="#">9011906012</a> Bolt, with washer	<a href="#">Buy now</a>
21	<a href="#">9011906013</a> Bolt, with washer	<a href="#">Buy now</a>
22	<a href="#">9017906M28</a> Nut(63v)	<a href="#">Buy now</a>
23	<a href="#">63V4851101</a> Hook, steering	<a href="#">Buy now</a>
24	<a href="#">9707508035</a> Bolt(70w)	<a href="#">Buy now</a>
25	<a href="#">9299508600</a> Washer, plain (663)	<a href="#">Buy now</a>
26	<a href="#">9018508057</a> Nut, nylon (6j8)	<a href="#">Buy now</a>

# Carburetor



Ref	Part	
1	<a href="#">68T1430120</a> Carburetor & accel link 68t20	<a href="#">Buy now</a>
1	<a href="#">68T1430150</a> Carburetor & accel link 68t50	<a href="#">Buy now</a>
2	<a href="#">6E51432100</a> Screw, throttle	<a href="#">Buy now</a>
3	<a href="#">6J81433400</a> Spring, throttle	<a href="#">Buy now</a>
4	<a href="#">9798004110</a> Screw, pan head (e56)	<a href="#">Buy now</a>
5	<a href="#">68T1438500</a> Float	<a href="#">Buy now</a>
6	<a href="#">67D1496600</a> Rubber cap	<a href="#">Buy now</a>
7	<a href="#">67D1438600</a> Pin, float	<a href="#">Buy now</a>
8	<a href="#">68T1454600</a> Valve, needle	<a href="#">Buy now</a>
9	<a href="#">68T1492E37</a> Jet, main (#74)	<a href="#">Buy now</a>
10	<a href="#">68T1492F1K</a> Jet, air slow (#39)	<a href="#">Buy now</a>
11	<a href="#">68T1492A00</a> Nozzle, main	<a href="#">Buy now</a>
12	<a href="#">67D1498400</a> Gasket, float chamber	<a href="#">Buy now</a>
13	<a href="#">68T1498100</a> Body, float chamber	<a href="#">Buy now</a>
14	<a href="#">6J81495900</a> Gasket, drin screw	<a href="#">Buy now</a>

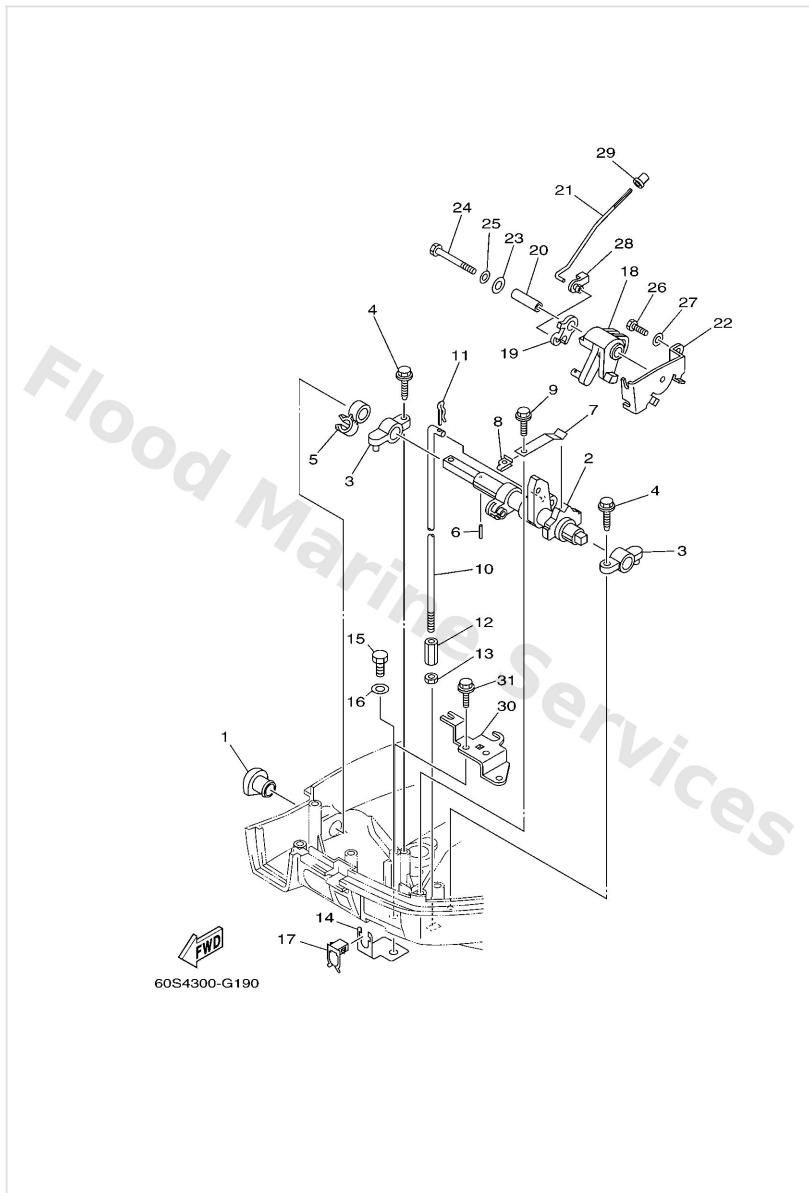
# Carburetor



 60N6010-J070

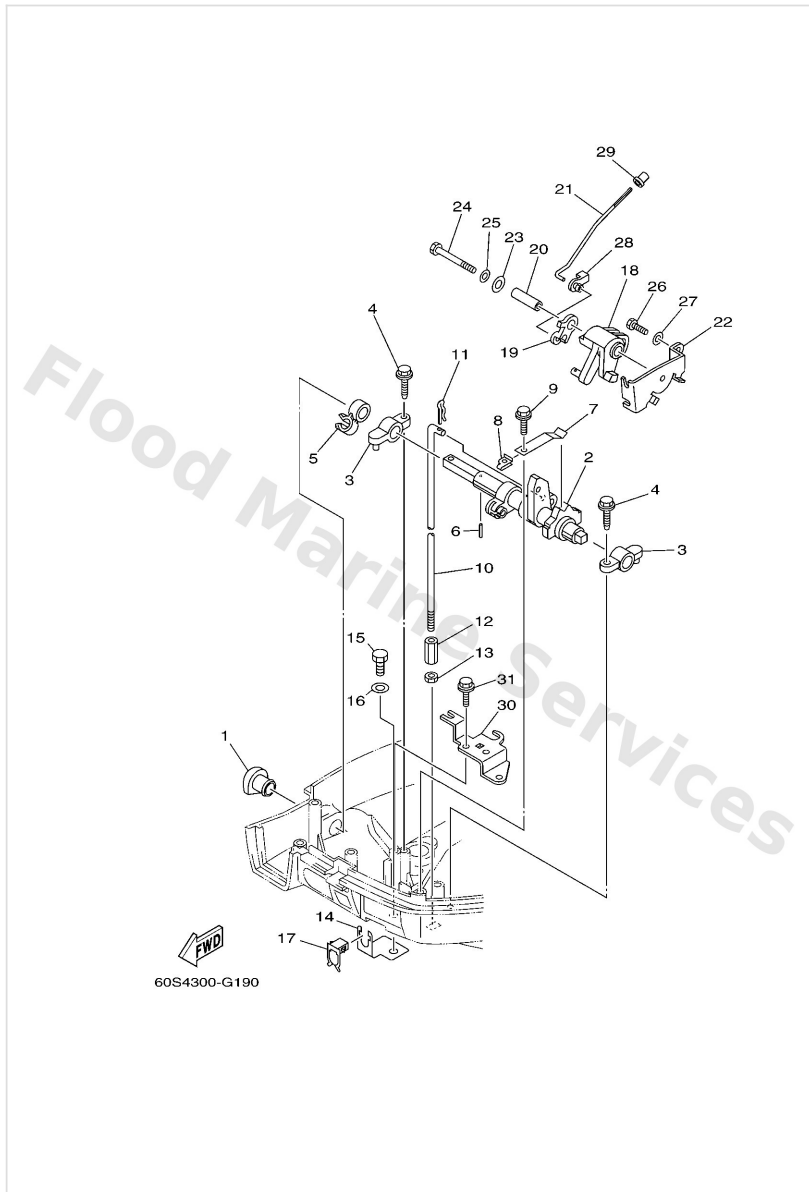
Ref	Part	
15	<a href="#">66T1499100</a> Plug, drain	<a href="#">Buy now</a>
16	<a href="#">68T1432320</a> Screw Air Adjusting	<a href="#">Buy now</a>
17	<a href="#">67D1453600</a> Gasket	<a href="#">Buy now</a>
18	<a href="#">67D1452700</a> Plate	<a href="#">Buy now</a>
19	<a href="#">68T1412600</a> Plug	<a href="#">Buy now</a>
20	<a href="#">9798004112</a> Screw, pan head (686)	<a href="#">Buy now</a>

# Control 1



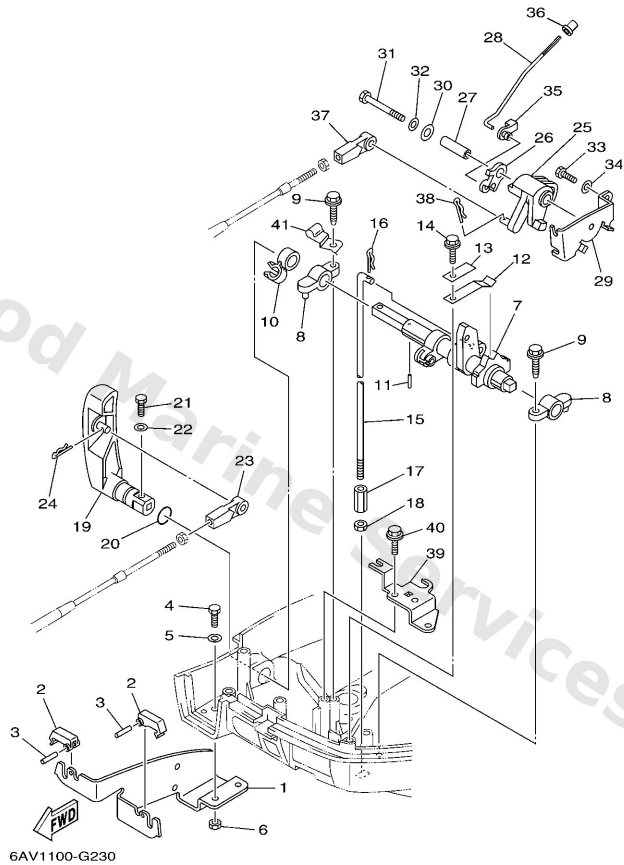
Ref	Part	
1	<a href="#">68T4272600</a> Grommet	<a href="#">Buy now</a>
2	<a href="#">68T4412102</a> Lever, shift rod	<a href="#">Buy now</a>
3	<a href="#">6G1416620194</a> Bracket	<a href="#">Buy now</a>
4	<a href="#">9010906M81</a> Bolt	<a href="#">Buy now</a>
5	<a href="#">9046410M60</a> Clamp	<a href="#">Buy now</a>
6	<a href="#">9169030014</a> Pin, spring (647)	<a href="#">Buy now</a>
7	<a href="#">65W4411600</a> Spring	<a href="#">Buy now</a>
8	<a href="#">66R4411700</a> Bracket	<a href="#">Buy now</a>
9	<a href="#">9010906M86</a> Bolt	<a href="#">Buy now</a>
10	<a href="#">60RG414310</a> Rod, shift 1	<a href="#">Buy now</a>
11	<a href="#">9046818001</a> Clip	<a href="#">Buy now</a>
12	<a href="#">9017006015</a> Connector, shift rod	<a href="#">Buy now</a>
13	<a href="#">9538006700</a> Nut	<a href="#">Buy now</a>
14	<a href="#">68T4853800</a> Clamp, cable 1	<a href="#">Buy now</a>
15	<a href="#">9709506012</a> Bolt(gh1)	<a href="#">Buy now</a>

# Control 1



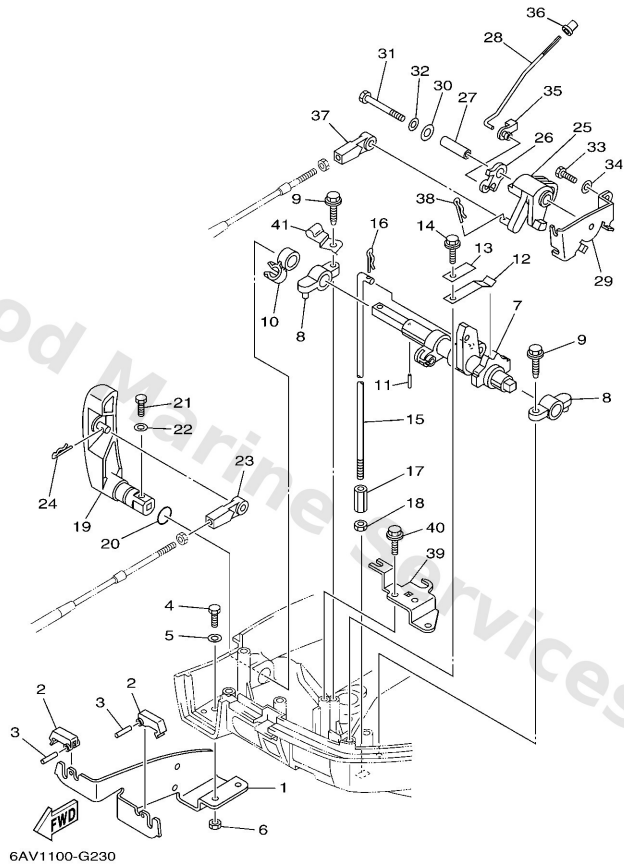
Ref	Part	
16	<a href="#">9299506600</a> Washer, plain (646)	<a href="#">Buy now</a>
17	<a href="#">63D4853800</a> Clamp, cable 1	<a href="#">Buy now</a>
18	<a href="#">68T4163800</a> Pulley	<a href="#">Buy now</a>
19	<a href="#">68T4128300</a> Lever, free accel.	<a href="#">Buy now</a>
20	<a href="#">9038706M59</a> Collar (6h3)	<a href="#">Buy now</a>
21	<a href="#">68T4121100</a> Link, accel.	<a href="#">Buy now</a>
22	<a href="#">68T1449700</a> Stay, throttle wire	<a href="#">Buy now</a>
23	<a href="#">9020106M62</a> Washer, plate (6e5)	<a href="#">Buy now</a>
24	<a href="#">9709506045</a> Bolt, hexagon	<a href="#">Buy now</a>
28	<a href="#">6614126202</a> Joint, choke lever	<a href="#">Buy now</a>
29	<a href="#">6471439560</a> Cap, over flow pipe	<a href="#">Buy now</a>
30	<a href="#">68T1577410</a> Stay 4	<a href="#">Buy now</a>

## Control 2



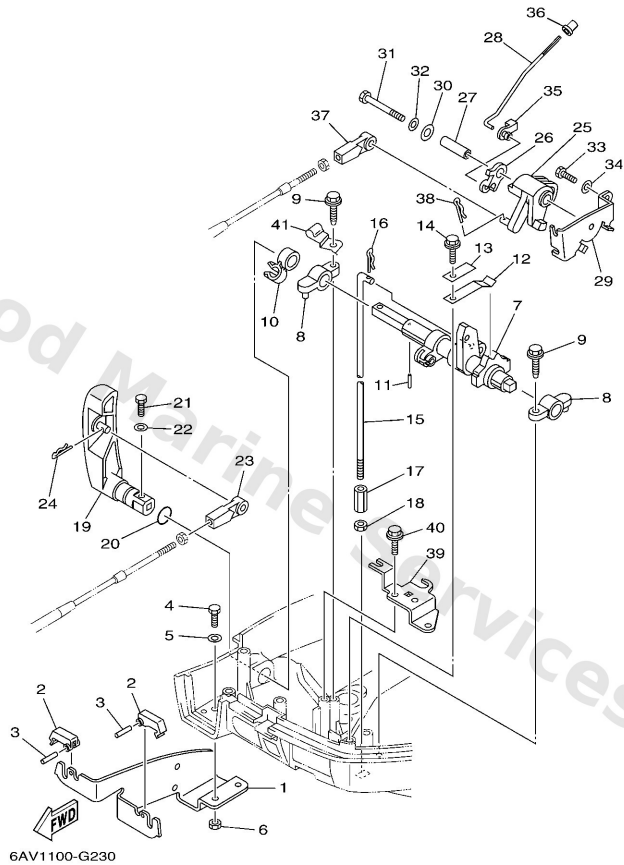
Ref	Part	
1	<a href="#">68T4853100</a> Bracket, remote control 1	<a href="#">Buy now</a>
2	<a href="#">6824853850</a> Clamp, cable	<a href="#">Buy now</a>
3	<a href="#">9169030012</a> Pin, spring	<a href="#">Buy now</a>
4	<a href="#">9709506012</a> Bolt(gh1)	<a href="#">Buy now</a>
5	<a href="#">9299506600</a> Washer, plain (646)	<a href="#">Buy now</a>
6	<a href="#">9538006600</a> Nut(661)	<a href="#">Buy now</a>
7	<a href="#">68T4412102</a> Lever, shift rod	<a href="#">Buy now</a>
8	<a href="#">6G1416620194</a> Bracket	<a href="#">Buy now</a>
9	<a href="#">9010906M81</a> Bolt	<a href="#">Buy now</a>
10	<a href="#">9046410M60</a> Clamp	<a href="#">Buy now</a>
11	<a href="#">9169030014</a> Pin, spring (647)	<a href="#">Buy now</a>
12	<a href="#">65W4411600</a> Spring	<a href="#">Buy now</a>
13	<a href="#">66R4411400</a> Stopper	<a href="#">Buy now</a>
14	<a href="#">9010906M86</a> Bolt	<a href="#">Buy now</a>
15	<a href="#">60RG414310</a> Rod, shift 1	<a href="#">Buy now</a>

## Control 2



Ref	Part	
16	<a href="#">9046818001</a> Clip	<a href="#">Buy now</a>
17	<a href="#">9017006015</a> Connector, shift rod	<a href="#">Buy now</a>
18	<a href="#">9538006700</a> Nut	<a href="#">Buy now</a>
19	<a href="#">60RG411110</a> Handle, gear shift	<a href="#">Buy now</a>
20	<a href="#">9321012327</a> O-ring(3ld)	<a href="#">Buy now</a>
21	<a href="#">9709505016</a> Bolt(6a1)	<a href="#">Buy now</a>
22	<a href="#">9299505600</a> Washer, plain (646)	<a href="#">Buy now</a>
23	<a href="#">6634834400</a> Cable end, remote control	<a href="#">Buy now</a>
24	<a href="#">9046818008</a> Clip 620436610000	<a href="#">Buy now</a>
25	<a href="#">68T4163800</a> Pulley	<a href="#">Buy now</a>
26	<a href="#">68T4128300</a> Lever, free accel.	<a href="#">Buy now</a>
27	<a href="#">9038706M59</a> Collar (6h3)	<a href="#">Buy now</a>
28	<a href="#">68T4121100</a> Link, accel.	<a href="#">Buy now</a>
29	<a href="#">68T1449700</a> Stay, throttle wire	<a href="#">Buy now</a>
30	<a href="#">9020106M62</a> Washer, plate (6e5)	<a href="#">Buy now</a>

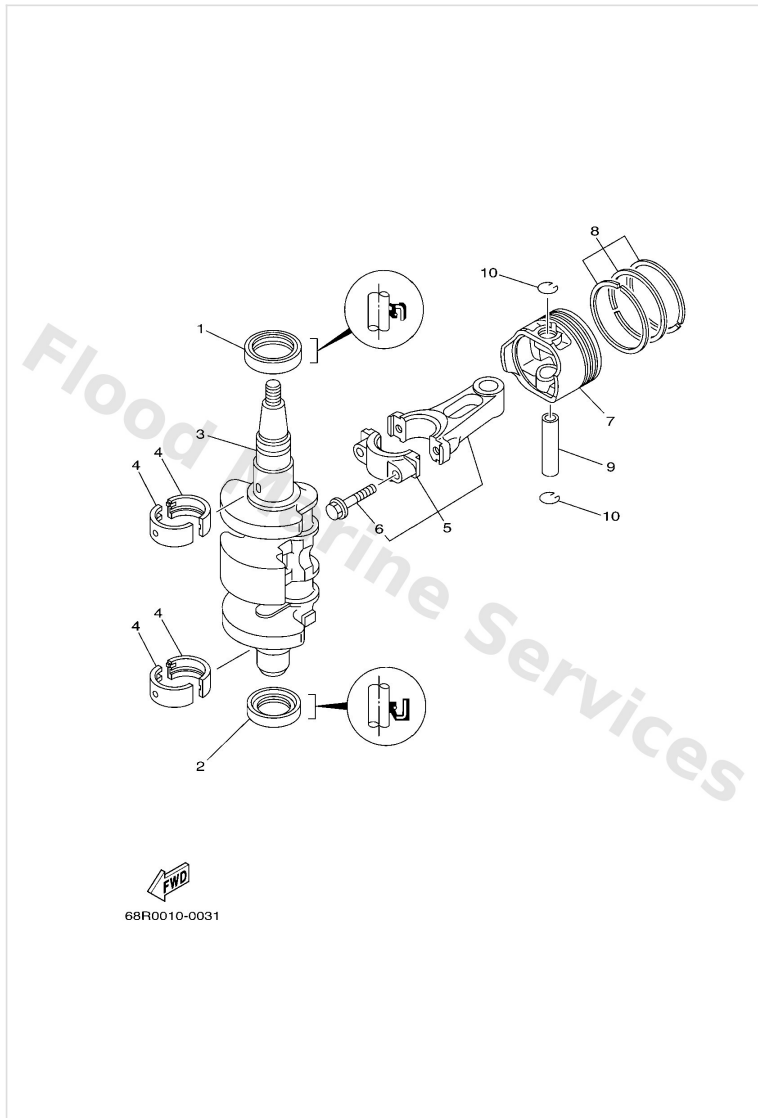
## Control 2



Ref	Part	
31	<a href="#">9709506045</a> Bolt, hexagon	<a href="#">Buy now</a>
35	<a href="#">6614126202</a> Joint, choke lever	<a href="#">Buy now</a>
36	<a href="#">6471439560</a> Cap, over flow pipe	<a href="#">Buy now</a>
39	<a href="#">68T1577410</a> Stay 4	<a href="#">Buy now</a>
41	<a href="#">9046508027</a> Clamp	<a href="#">Buy now</a>

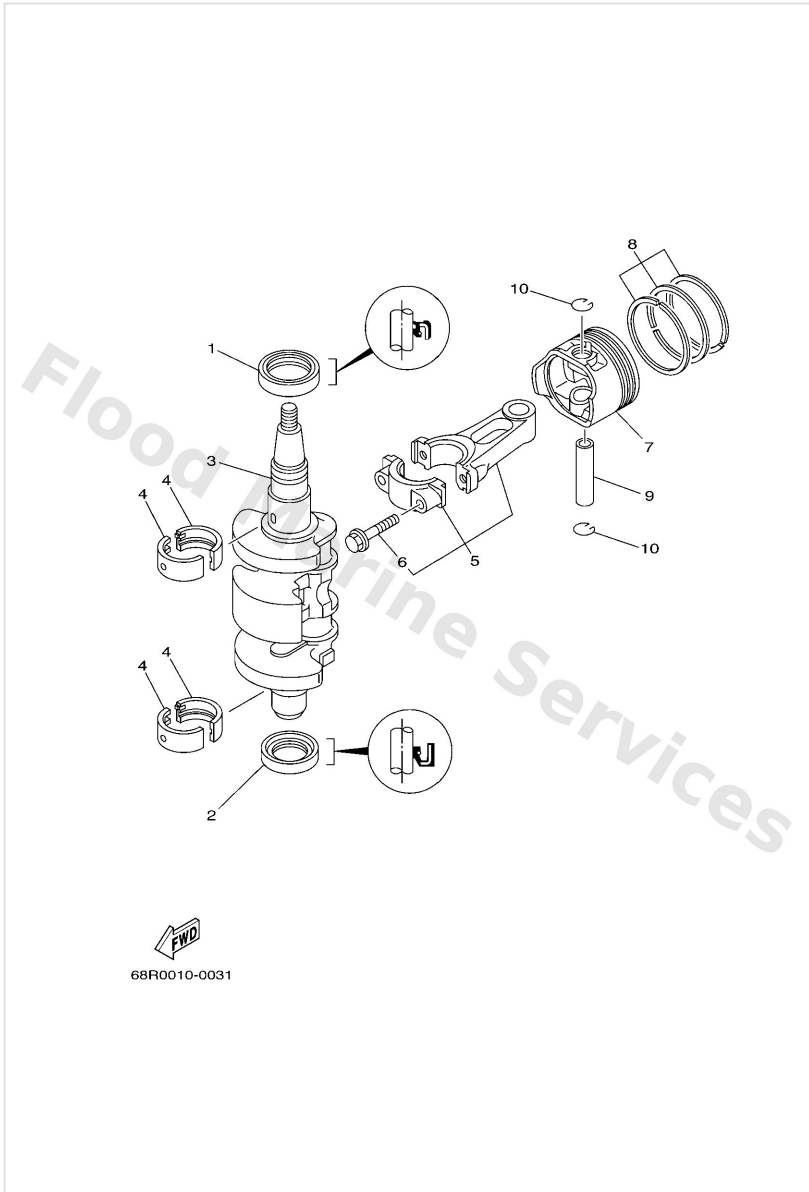


# Crankshaft & Piston



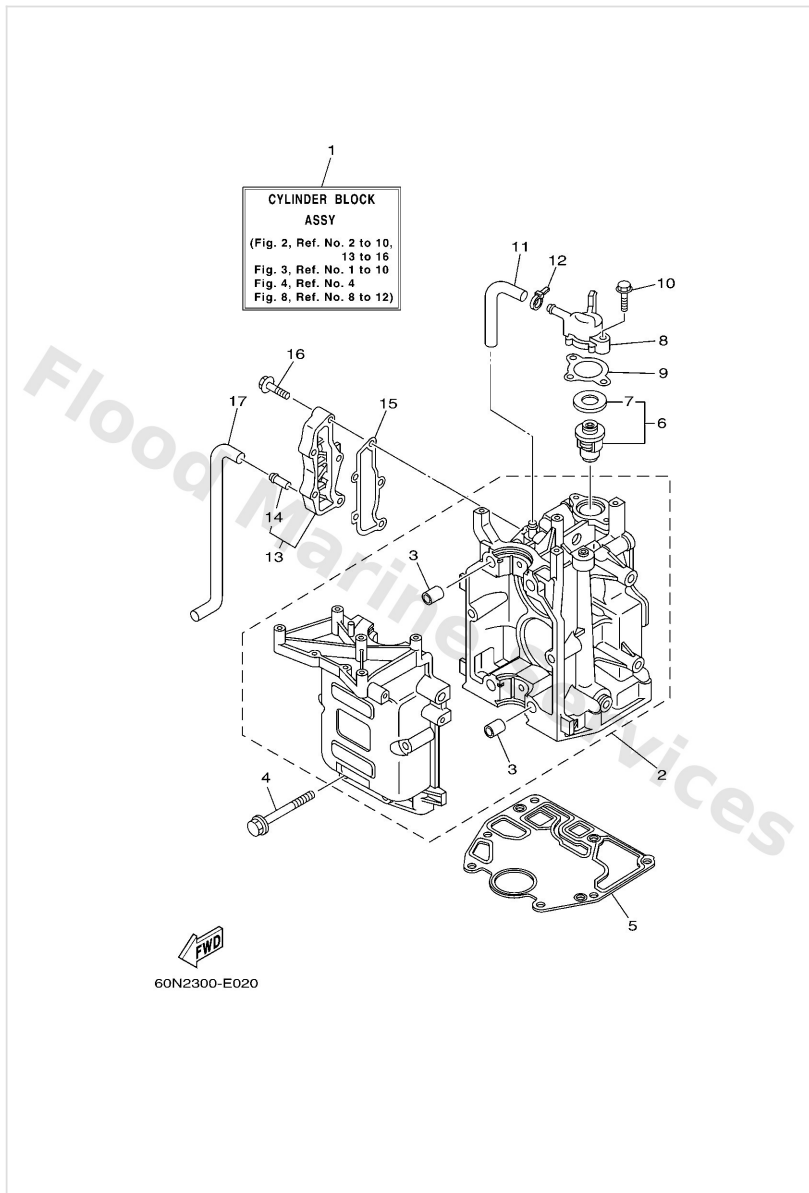
Ref	Part	
1	<a href="#">9310230M22</a> Oil seal (6g8)	<a href="#">Buy now</a>
2	<a href="#">9310125M69</a> Oil seal	<a href="#">Buy now</a>
3	<a href="#">60RE141100</a> -	<a href="#">Buy now</a>
4	<a href="#">68T1141600</a> Plane bearing, crankshaft 1 UR BROWN	<a href="#">Buy now</a>
4	<a href="#">68T1141610</a> Plane bearing, crankshaft 1 UR BLACK	<a href="#">Buy now</a>
4	<a href="#">68T1141620</a> Plane bearing, crankshaft 1 UR BLUE	<a href="#">Buy now</a>
5	<a href="#">68T1165000</a> Connecting rod kit	<a href="#">Buy now</a>
6	<a href="#">67D1165400</a> Bolt, connecting rod	<a href="#">Buy now</a>
7	<a href="#">60RE16310096</a> Piston (std)	<a href="#">Buy now</a>
7	<a href="#">60RE163500</a> Piston (0.25mm o/s) AP	<a href="#">Buy now</a>
7	<a href="#">60RE163600</a> Piston (0.50mm o/s) AP	<a href="#">Buy now</a>
8	<a href="#">60RE160300</a> Piston ring set (std)	<a href="#">Buy now</a>
8	<a href="#">60RE160400</a> Ring piston AP	<a href="#">Buy now</a>
8	<a href="#">60RE160500</a> Piston ring set (0.50mm o/s) AP	<a href="#">Buy now</a>
9	<a href="#">60RE163300</a> Pin, piston	<a href="#">Buy now</a>

# Crankshaft & Piston



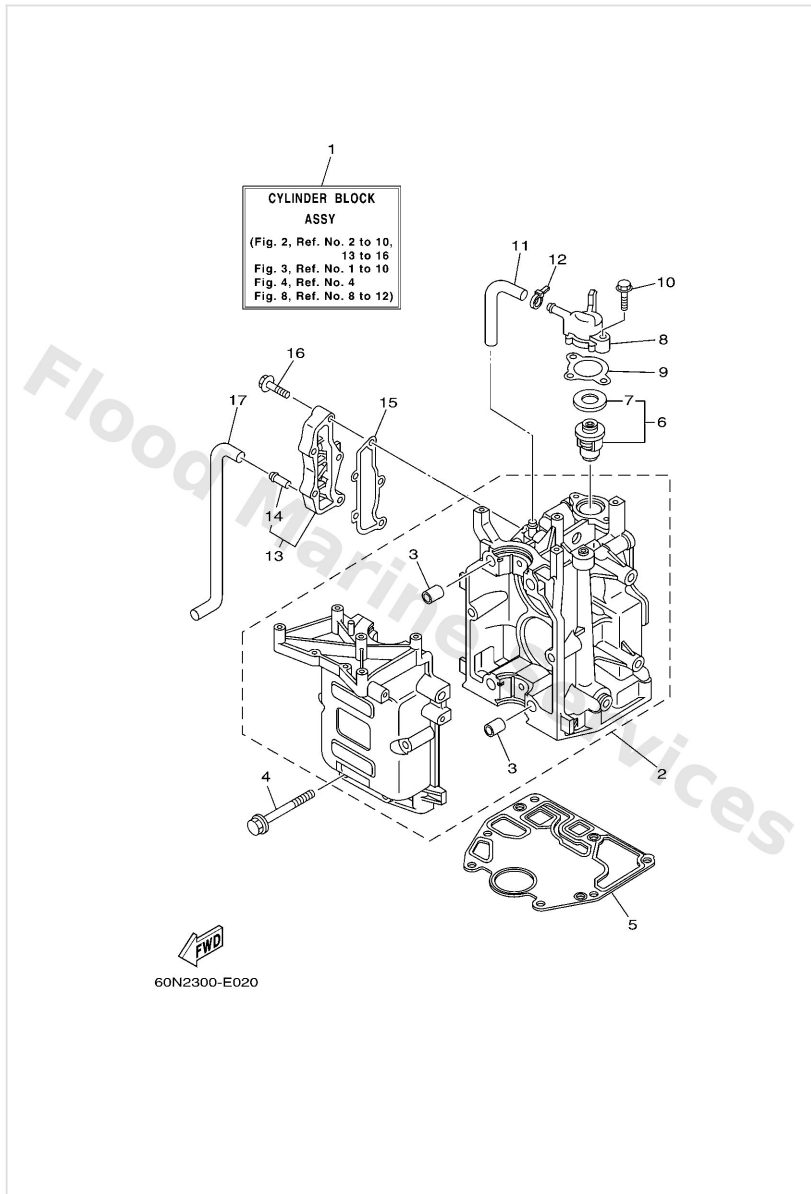
Ref	Part	
10	<a href="#">9345015023</a> Circlip 131116340000	<a href="#">Buy now</a>

# Cylinder & Crankcase 1



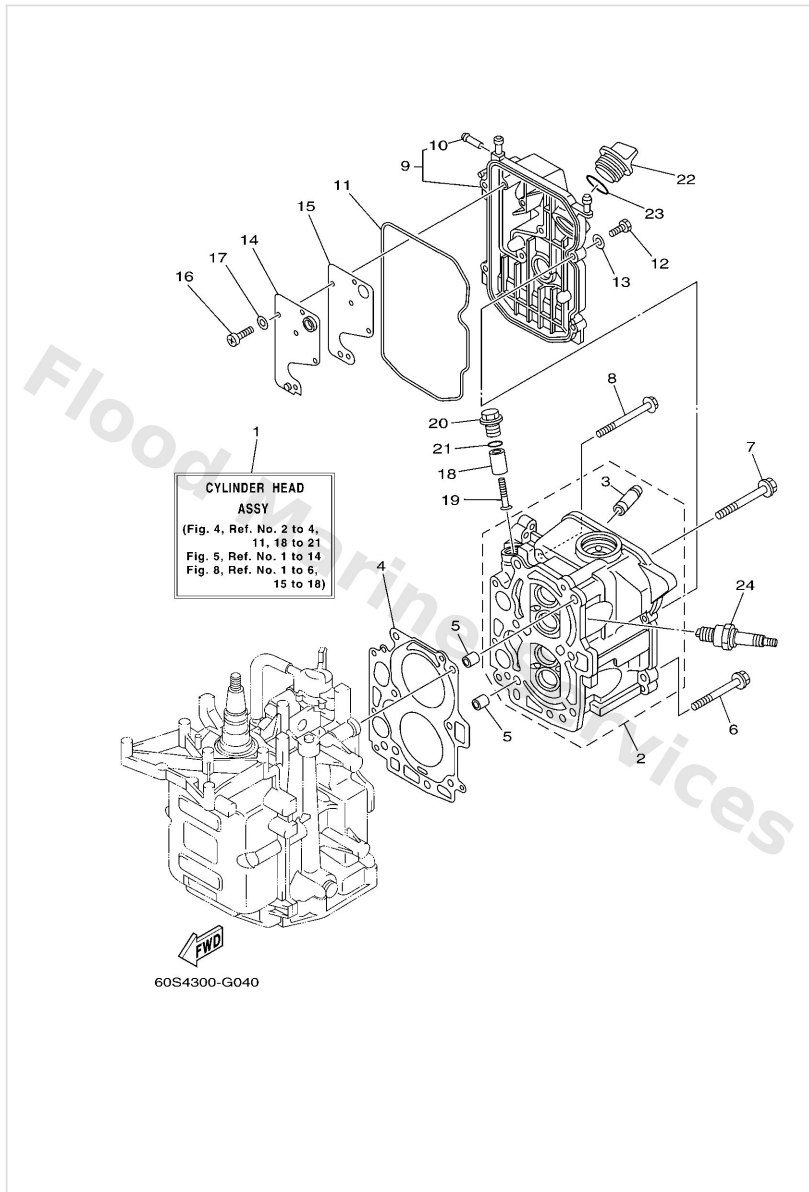
Ref	Part	
1	<a href="#">60RWE09B001S</a> Cylinder block ass'y	<a href="#">Buy now</a>
2	<a href="#">60RE5100001S</a> Crank case assembly	<a href="#">Buy now</a>
3	<a href="#">9181212001</a> Pin, dowel	<a href="#">Buy now</a>
4	<a href="#">9011908M29</a> Bolt, with washer	<a href="#">Buy now</a>
5	<a href="#">68T1135100</a> Gasket, cylinder	<a href="#">Buy now</a>
6	<a href="#">66M1241101</a> Thermostat	<a href="#">Buy now</a>
7	<a href="#">6881241200</a> Seal, thermostat	<a href="#">Buy now</a>
8	<a href="#">68T12413001S</a> Cover, thermostat	<a href="#">Buy now</a>
9	<a href="#">60RE2414A0</a> Gasket, cover	<a href="#">Buy now</a>
10	<a href="#">9011906MA2</a> Bolt, with washer	<a href="#">Buy now</a>
11	<a href="#">60RE248100</a> Pipe 1	<a href="#">Buy now</a>
12	<a href="#">9046511M10</a> Clamp	<a href="#">Buy now</a>
13	<a href="#">60RG1113001S</a> Outer cover, exhaust	<a href="#">Buy now</a>
14	<a href="#">6E92437800</a> Pipe, joint 4	<a href="#">Buy now</a>
15	<a href="#">68T41114A0</a> Gasket, exhaust outer cover	<a href="#">Buy now</a>

# Cylinder & Crankcase 1



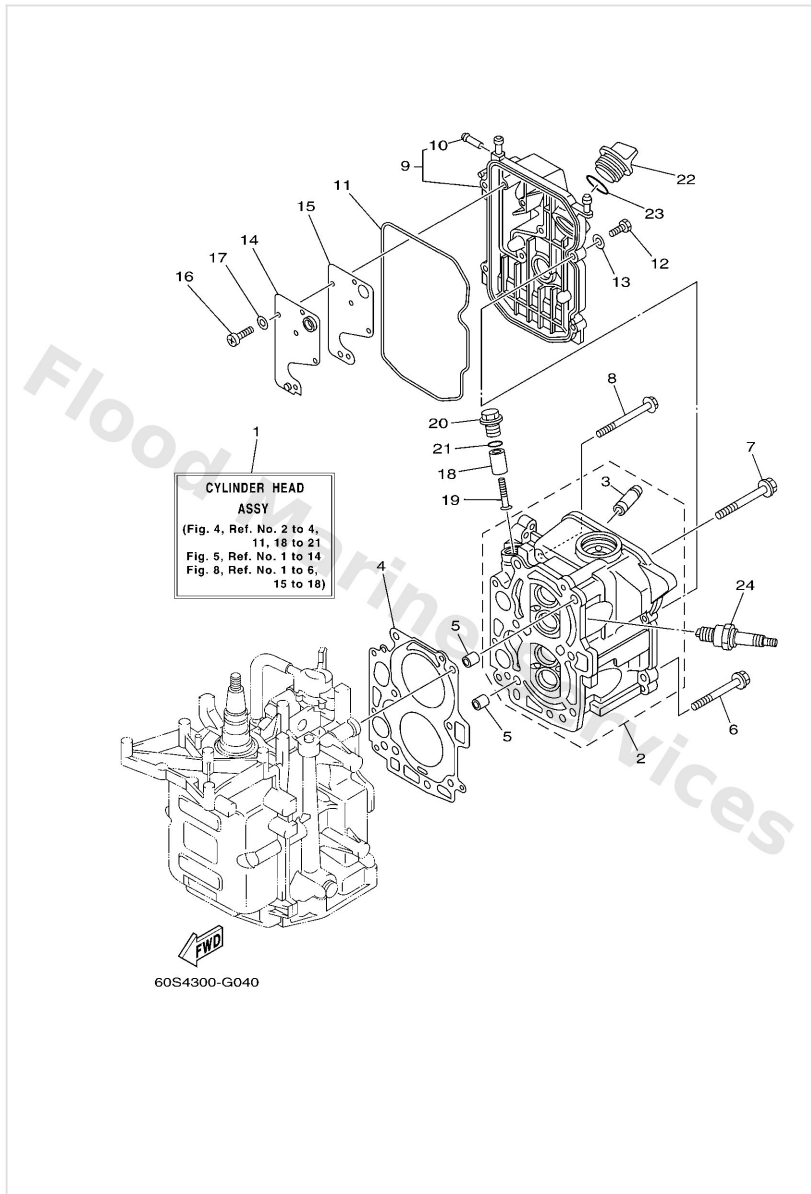
Ref	Part	
16	<a href="#">9011906MA3</a> Bolt, with washer	<a href="#">Buy now</a>
17	<a href="#">60RE248200</a> Pipe 2	<a href="#">Buy now</a>

# Cylinder & Crankcase 2



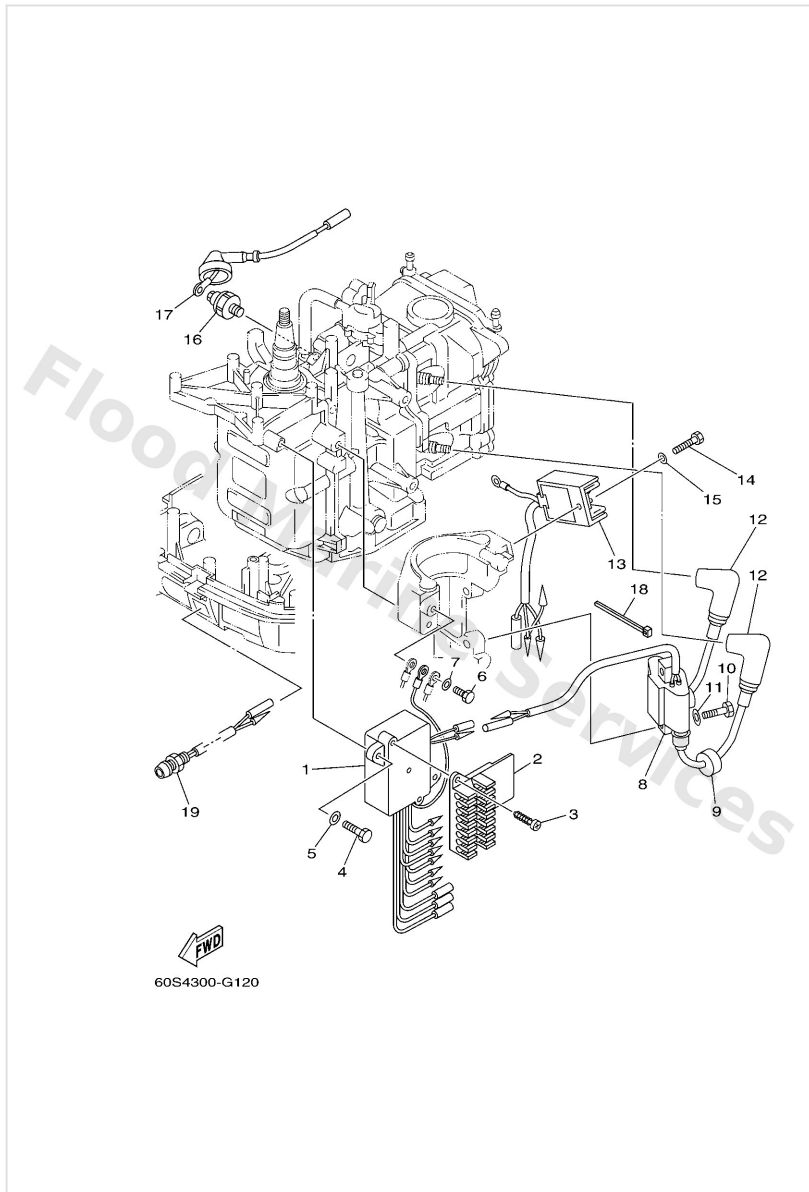
Ref	Part	
1	<a href="#">60RWE09A011S</a> Cylinder head assembly	<a href="#">Buy now</a>
2	<a href="#">60RE1111001S</a> Head, cylinder 1	<a href="#">Buy now</a>
3	<a href="#">67D1113310</a> Guide, valve 1	<a href="#">Buy now</a>
4	<a href="#">68T1118100</a> Gasket, cylinder head 1	<a href="#">Buy now</a>
5	<a href="#">9951010114</a> Pin, dowel(3vd)	<a href="#">Buy now</a>
6	<a href="#">9010508M36</a> Bolt (6g8)	<a href="#">Buy now</a>
7	<a href="#">9010508M78</a> Bolt, washer based	<a href="#">Buy now</a>
8	<a href="#">9011906049</a> Bolt, with washer	<a href="#">Buy now</a>
9	<a href="#">60RE1191001S</a> Cover, cylinder head 1	<a href="#">Buy now</a>
10	<a href="#">6502437800</a> Pipe, joint 2	<a href="#">Buy now</a>
11	<a href="#">68T1135600</a> Seal, cylinder 2	<a href="#">Buy now</a>
12	<a href="#">9709506020</a> Bolt(7u8)	<a href="#">Buy now</a>
13	<a href="#">9299506600</a> Washer, plain (646)	<a href="#">Buy now</a>
14	<a href="#">68T1116800</a> Cover, breather	<a href="#">Buy now</a>
15	<a href="#">68T11169A0</a> Gasket, breather cover	<a href="#">Buy now</a>

# Cylinder & Crankcase 2



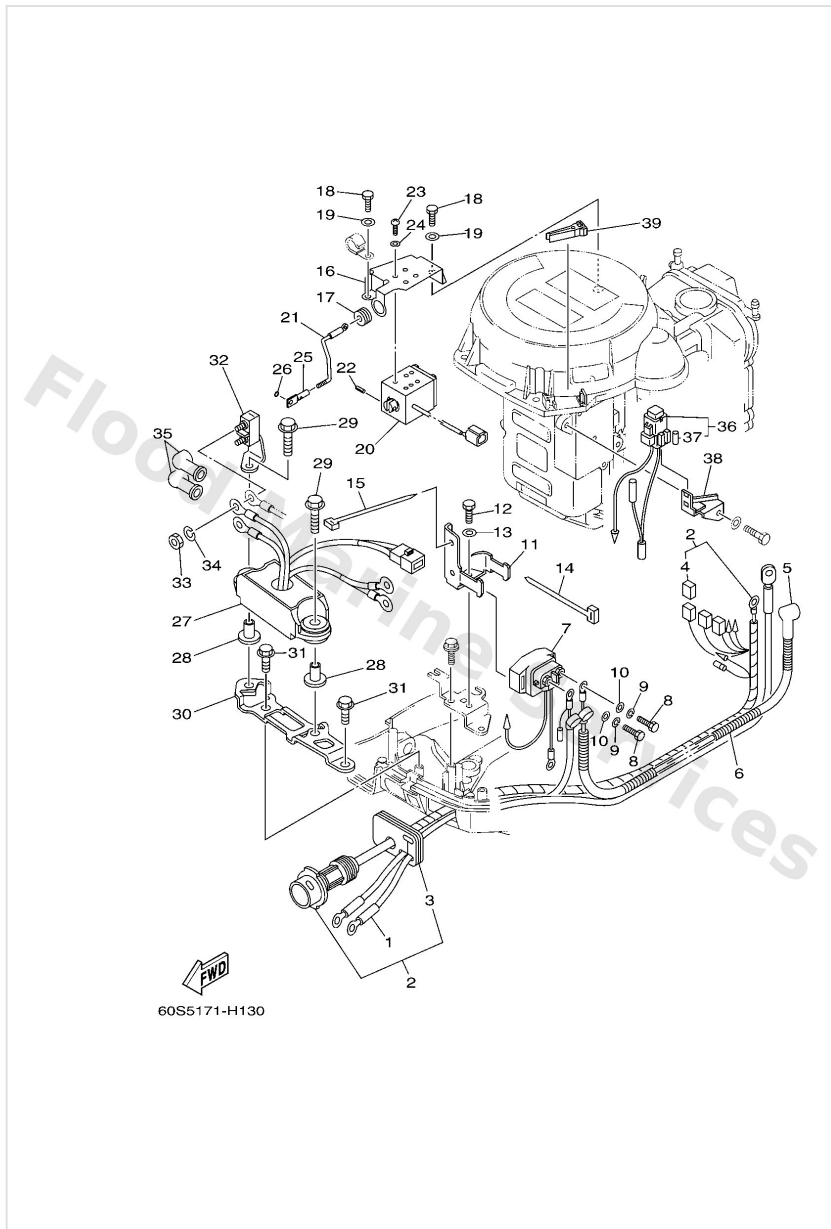
Ref	Part	
16	<a href="#">9850704010</a> Screw, pan head(6g8)	<a href="#">Buy now</a>
17	<a href="#">9290704600</a> Washer(jf2)	<a href="#">Buy now</a>
18	<a href="#">6G81132500</a> Anode	<a href="#">Buy now</a>
19	<a href="#">9788005025</a> Screw, panhead (a93)	<a href="#">Buy now</a>
20	<a href="#">6G81119701</a> Plug, blind	<a href="#">Buy now</a>
21	<a href="#">9321013M63</a> O-ring (6g8)	<a href="#">Buy now</a>
22	<a href="#">69ME536300</a> Plug, oil	<a href="#">Buy now</a>
23	<a href="#">9321024M79</a> O-ring	<a href="#">Buy now</a>
24	<a href="#">9470200274</a> Plug, spark (br6hs-10)	<a href="#">Buy now</a>

# Electrical 1



Ref	Part	
1	<a href="#">68T8554000</a> C.d.i. unit assembly	<a href="#">Buy now</a>
2	<a href="#">68T8252200</a> Clamp, coupler	<a href="#">Buy now</a>
3	<a href="#">9778040512</a> Screw, pan head tapping	<a href="#">Buy now</a>
4	<a href="#">9709506020</a> Bolt(7u8)	<a href="#">Buy now</a>
5	<a href="#">9299506600</a> Washer, plain (646)	<a href="#">Buy now</a>
6	<a href="#">9709506012</a> Bolt(gh1)	<a href="#">Buy now</a>
8	<a href="#">6808557002</a> Ignition coil assembly	<a href="#">Buy now</a>
9	<a href="#">9048025161</a> Grommet(656)	<a href="#">Buy now</a>
10	<a href="#">9709506025</a> Bolt	<a href="#">Buy now</a>
12	<a href="#">6E38237021</a> Plug cap assembly	<a href="#">Buy now</a>
13	<a href="#">68T8196000</a> Rectifier & regulator assembly	<a href="#">Buy now</a>
16	<a href="#">67F8250400</a> Oil pressure switch assembly	<a href="#">Buy now</a>
17	<a href="#">68T8212710</a> Wire, lead 2	<a href="#">Buy now</a>
18	<a href="#">9046511M10</a> Clamp	<a href="#">Buy now</a>
19	<a href="#">68T8541000</a> Emergency signal light assembly	<a href="#">Buy now</a>

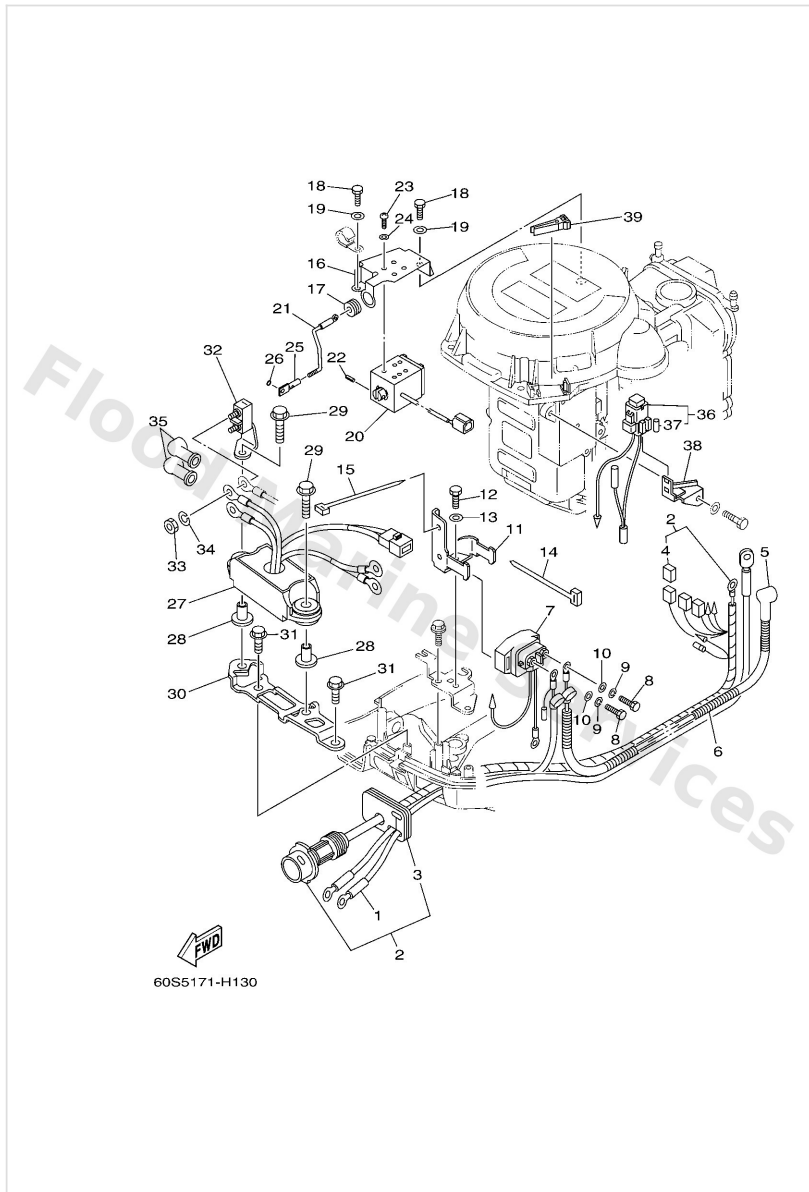
## Electrical 2



Ref	Part	
1	<a href="#">68T8210500</a> Battery cable (l: 3.0m) UR AP	<a href="#">Buy now</a>
1	<a href="#">69G8210500</a> Battery cable (l: 3.0m) UR STD	<a href="#">Buy now</a>
2	<a href="#">69G8259010</a> Wire harness assembly	<a href="#">Buy now</a>
3	<a href="#">68T4272440</a> Grommet	<a href="#">Buy now</a>
4	<a href="#">6N68258200</a> Cover, wire harness	<a href="#">Buy now</a>
5	<a href="#">6G88211700</a> Wire, lead	<a href="#">Buy now</a>
6	<a href="#">9044610M86</a> Hose	<a href="#">Buy now</a>
7	<a href="#">68T8194000</a> Starter relay assembly	<a href="#">Buy now</a>
8	<a href="#">9709506010</a> Bolt	<a href="#">Buy now</a>
9	<a href="#">9299506100</a> Washer(6a1)	<a href="#">Buy now</a>
10	<a href="#">9299506600</a> Washer, plain (646)	<a href="#">Buy now</a>
11	<a href="#">68T8194501</a> Plate, switch fitting	<a href="#">Buy now</a>
12	<a href="#">9709506012</a> Bolt(gh1)	<a href="#">Buy now</a>
14	<a href="#">9046513M11</a> Clamp (6e5)	<a href="#">Buy now</a>
15	<a href="#">9046513M97</a> Clamp	<a href="#">Buy now</a>

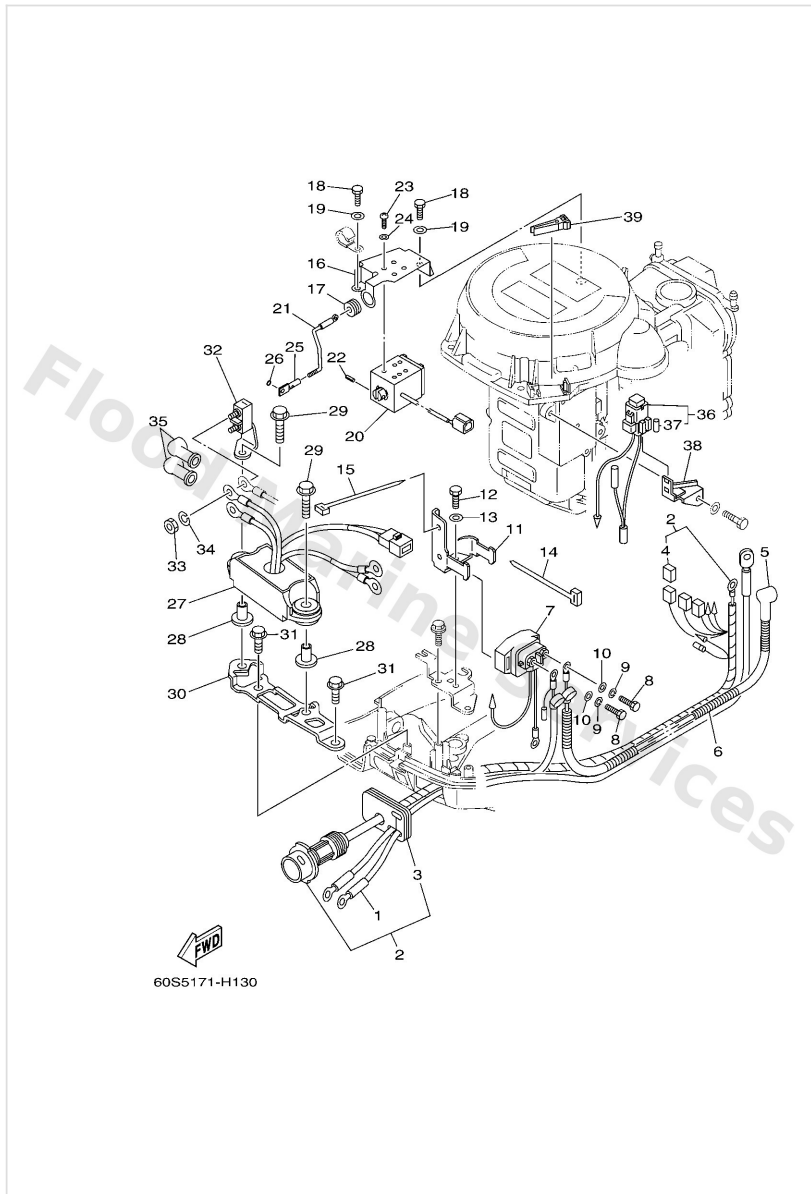


## Electrical 2



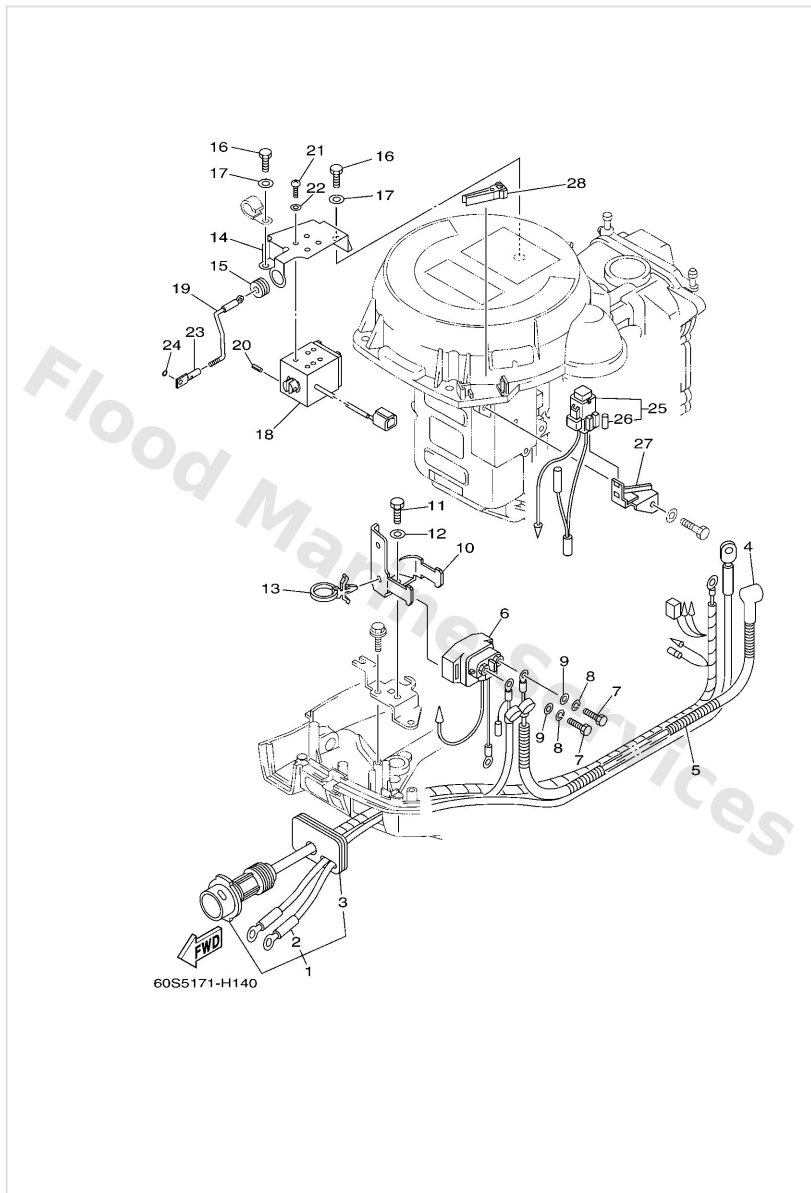
Ref	Part	
16	<a href="#">68T8611200</a> Stay, solenoid	<a href="#">Buy now</a>
17	<a href="#">9048013018</a> Grommet (462)	<a href="#">Buy now</a>
20	<a href="#">68T8611100</a> Coil, solenoid	<a href="#">Buy now</a>
21	<a href="#">68T4123700</a> Joint, link	<a href="#">Buy now</a>
22	<a href="#">9169030010</a> Pin, spring (663)	<a href="#">Buy now</a>
23	<a href="#">9788004008</a> Screw, pan head (713)	<a href="#">Buy now</a>
24	<a href="#">9299004600</a> Washer, plain (646)	<a href="#">Buy now</a>
25	<a href="#">68T8611700</a> Hook, wire pull	<a href="#">Buy now</a>
26	<a href="#">9321003261</a> O-ring (663)	<a href="#">Buy now</a>
27	<a href="#">69G8195000</a> Relay assembly	<a href="#">Buy now</a>
28	<a href="#">9038706M03</a> Collar (676)	<a href="#">Buy now</a>
29	<a href="#">9011906M56</a> Bolt, with washer	<a href="#">Buy now</a>
30	<a href="#">69G8194801</a> Bracket	<a href="#">Buy now</a>
31	<a href="#">9010906M86</a> Bolt	<a href="#">Buy now</a>
32	<a href="#">69G8192500</a> Terminal	<a href="#">Buy now</a>

## Electrical 2



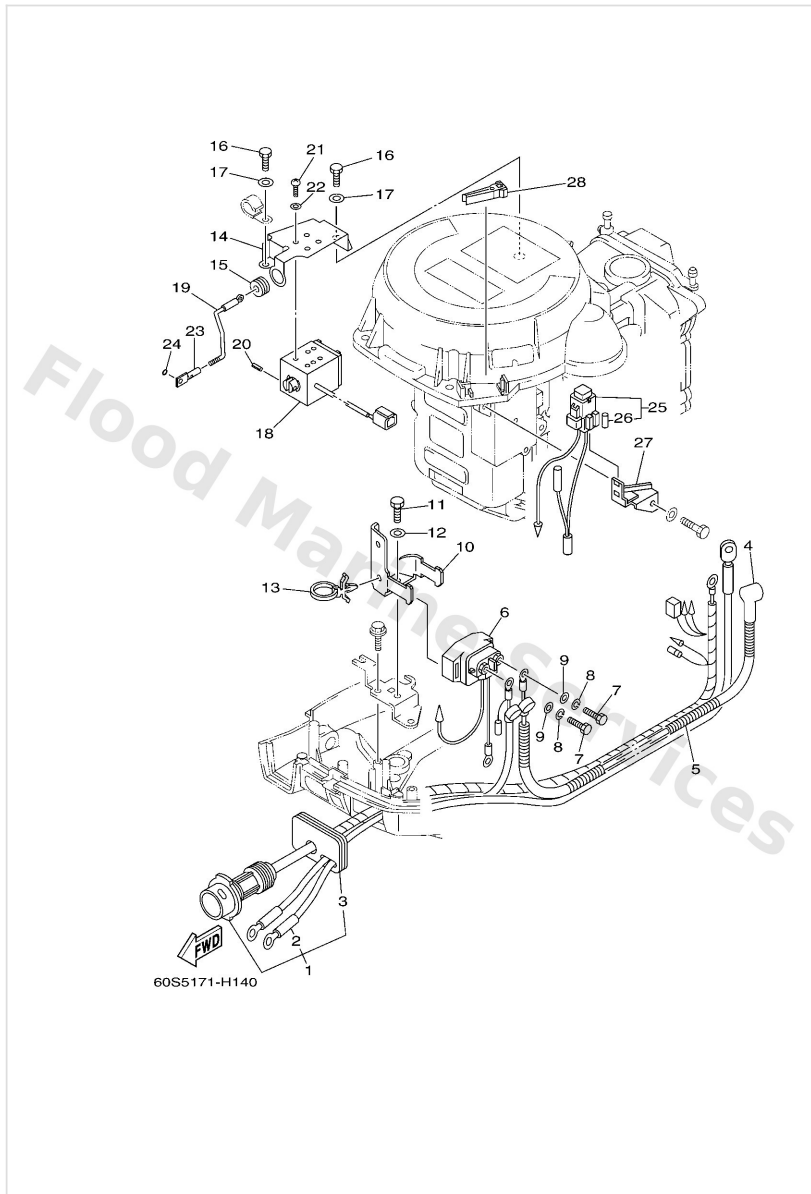
Ref	Part	
33	<a href="#">9017006M30</a> Nut(62x)	<a href="#">Buy now</a>
34	<a href="#">9020406M00</a> Washer, spring(62x)	<a href="#">Buy now</a>
35	<a href="#">6G58211900</a> Cover, lead wire	<a href="#">Buy now</a>
36	<a href="#">68T8215000</a> Fuse holder assembly	<a href="#">Buy now</a>
37	<a href="#">66V8215100</a> Fuse (10a)	<a href="#">Buy now</a>
38	<a href="#">68T8217101</a> Stay, fuse box	<a href="#">Buy now</a>
39	<a href="#">67F2812A00</a> Puller, fuse	<a href="#">Buy now</a>

# Electrical 3



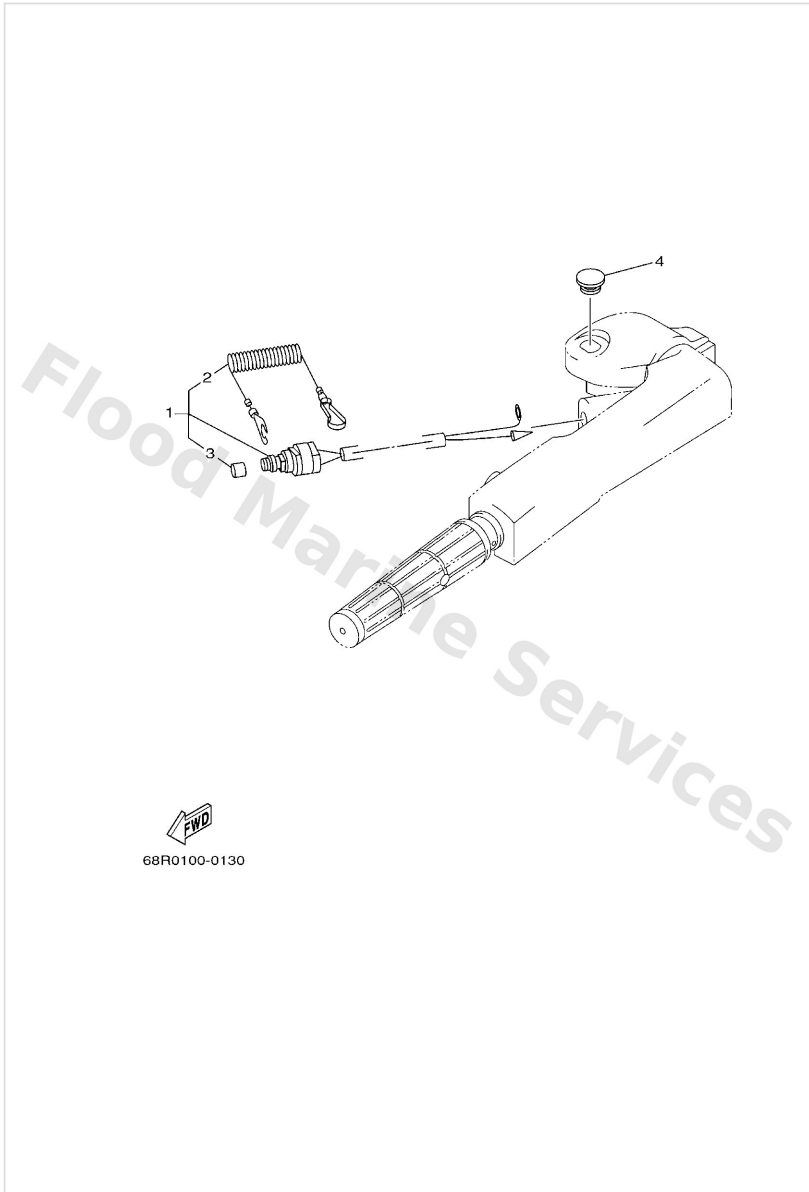
Ref	Part	
1	<a href="#">69G8258000</a> Wire harness assembly 2	<a href="#">Buy now</a>
2	<a href="#">69G8210500</a> Battery cable (l: 3.0m)	<a href="#">Buy now</a>
3	<a href="#">68T4272440</a> Grommet	<a href="#">Buy now</a>
4	<a href="#">6G88211700</a> Wire, lead	<a href="#">Buy now</a>
5	<a href="#">9044610M86</a> Hose	<a href="#">Buy now</a>
6	<a href="#">68T8194000</a> Starter relay assembly	<a href="#">Buy now</a>
7	<a href="#">9709506010</a> Bolt	<a href="#">Buy now</a>
8	<a href="#">9299506100</a> Washer(6a1)	<a href="#">Buy now</a>
9	<a href="#">9299506600</a> Washer, plain (646)	<a href="#">Buy now</a>
10	<a href="#">68T8194501</a> Plate, switch fitting	<a href="#">Buy now</a>
11	<a href="#">9709506012</a> Bolt(gh1)	<a href="#">Buy now</a>
13	<a href="#">9046512M56</a> Clamp(62t)	<a href="#">Buy now</a>
14	<a href="#">68T8611200</a> Stay, solenoid	<a href="#">Buy now</a>
15	<a href="#">9048013018</a> Grommet (462)	<a href="#">Buy now</a>
18	<a href="#">68T8611100</a> Coil, solenoid	<a href="#">Buy now</a>

## Electrical 3



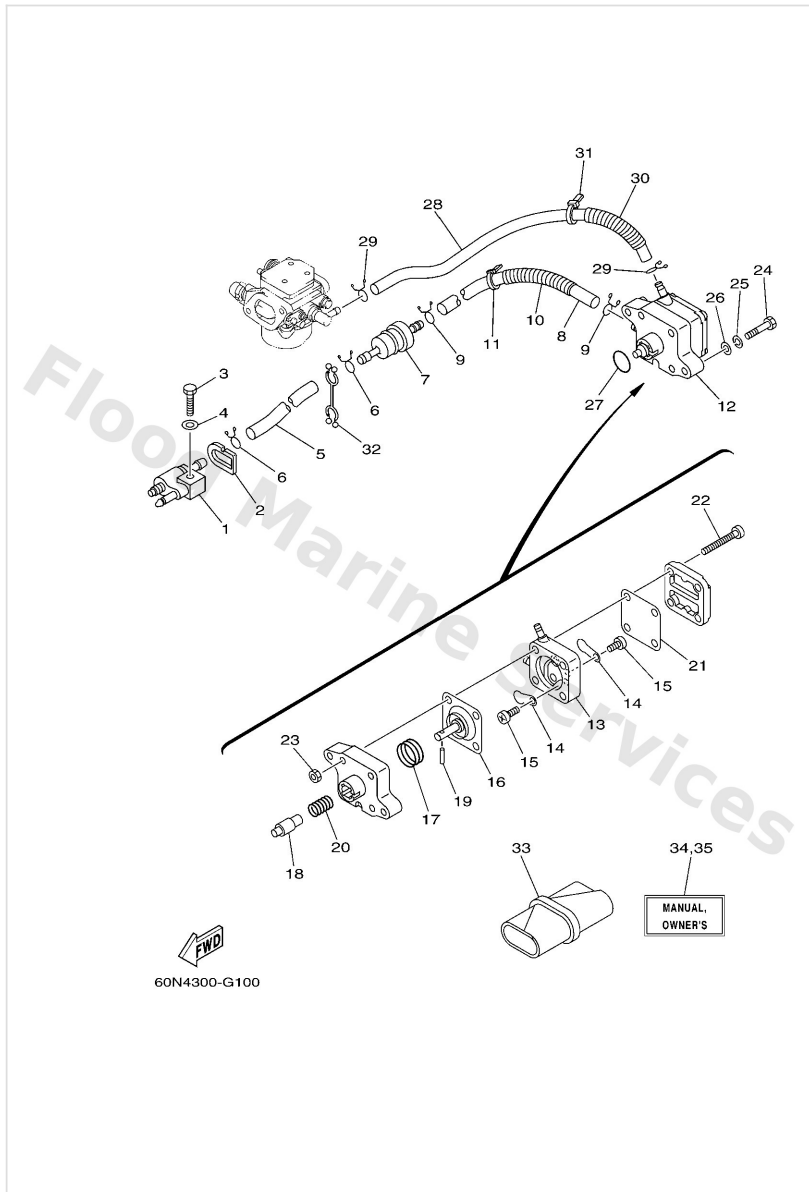
Ref	Part	
19	<a href="#">68T4123700</a> Joint, link	<a href="#">Buy now</a>
20	<a href="#">9169030010</a> Pin, spring (663)	<a href="#">Buy now</a>
21	<a href="#">9788004008</a> Screw, pan head (713)	<a href="#">Buy now</a>
22	<a href="#">9299004600</a> Washer, plain (646)	<a href="#">Buy now</a>
23	<a href="#">68T8611700</a> Hook, wire pull	<a href="#">Buy now</a>
24	<a href="#">9321003261</a> O-ring (663)	<a href="#">Buy now</a>
25	<a href="#">68T8215000</a> Fuse holder assembly	<a href="#">Buy now</a>
26	<a href="#">66V8215100</a> Fuse (10a)	<a href="#">Buy now</a>
27	<a href="#">68T8217101</a> Stay, fuse box	<a href="#">Buy now</a>
28	<a href="#">67F2812A00</a> Puller, fuse	<a href="#">Buy now</a>

## Electrical 4



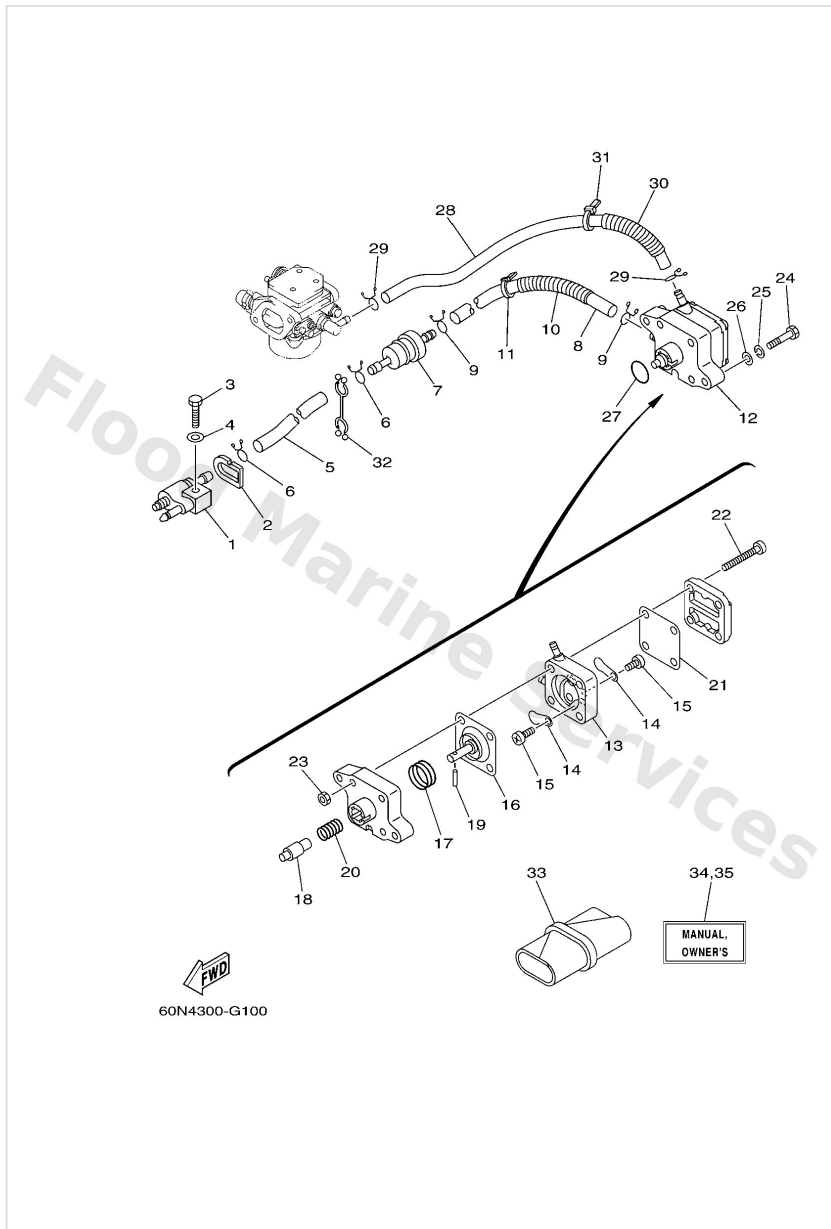
Ref	Part	
1	<a href="#">65W8257501</a> Engine stop switch assembly	<a href="#">Buy now</a>
2	<a href="#">6828255600</a> Lanyard, stop switch	<a href="#">Buy now</a>
3	<a href="#">6898257Y00</a> Cap	<a href="#">Buy now</a>
4	<a href="#">6G14272500</a> Grommet	<a href="#">Buy now</a>

# Fuel



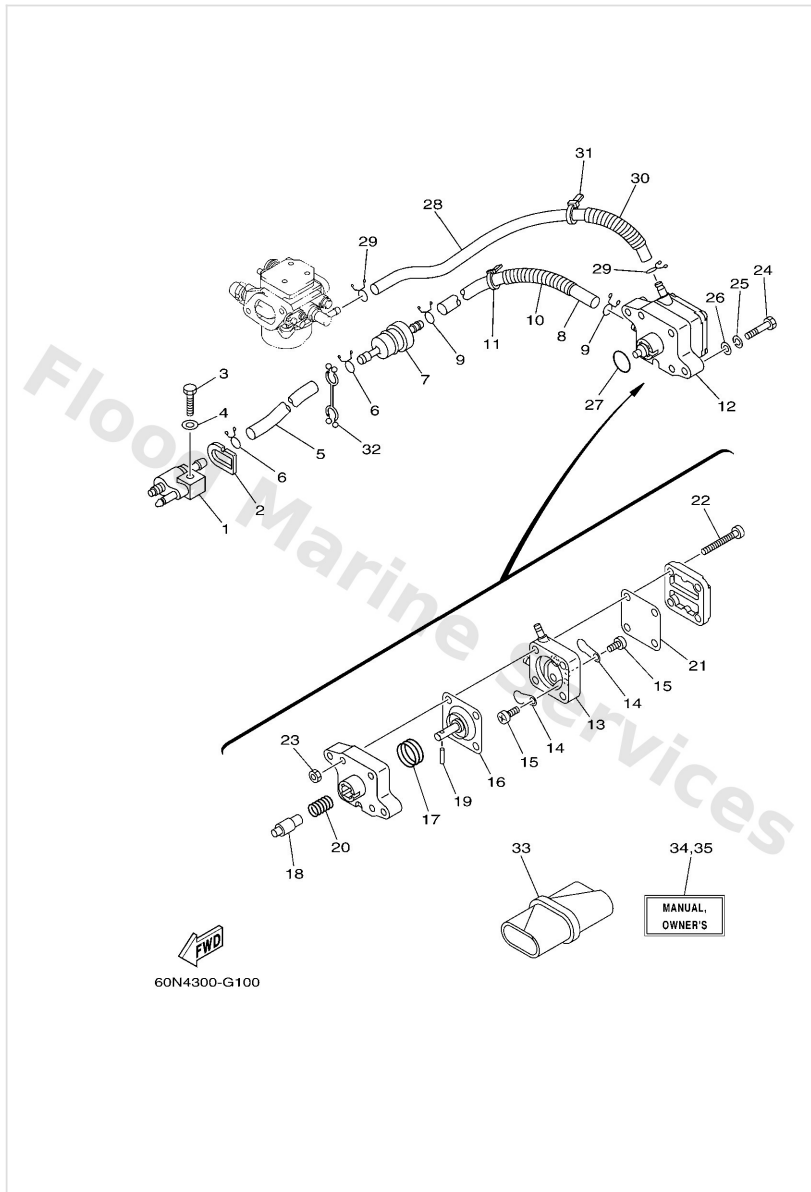
Ref	Part	
1	<a href="#">6G12430402</a> Fuel pipe joint comp. 1	<a href="#">Buy now</a>
2	<a href="#">60RF432900</a> Seal	<a href="#">Buy now</a>
3	<a href="#">9709506025</a> Bolt	<a href="#">Buy now</a>
4	<a href="#">9299506600</a> Washer, plain (646)	<a href="#">Buy now</a>
5	<a href="#">9044510809</a> Hose	<a href="#">Buy now</a>
6	<a href="#">9046709M09</a> Clip(6k8)	<a href="#">Buy now</a>
7	<a href="#">68T2425101</a> Strainer 1	<a href="#">Buy now</a>
8	<a href="#">9044510811</a> Hose (l400)	<a href="#">Buy now</a>
10	<a href="#">9044614M66</a> Hose(64x)	<a href="#">Buy now</a>
11	<a href="#">9046511M10</a> Clamp	<a href="#">Buy now</a>
12	<a href="#">68T2441001</a> Fuel pump assembly	<a href="#">Buy now</a>
13	<a href="#">66M2441301</a> Body 2	<a href="#">Buy now</a>
14	<a href="#">6A02442101</a> Valve, check	<a href="#">Buy now</a>
15	<a href="#">6E71432500</a> Screw, pan head	<a href="#">Buy now</a>
16	<a href="#">66M2441101</a> Diaphragm	<a href="#">Buy now</a>

# Fuel



Ref	Part	
17	<a href="#">66M2442300</a> Spring, diaphragm	<a href="#">Buy now</a>
18	<a href="#">66M1313100</a> Plunger	<a href="#">Buy now</a>
19	<a href="#">66M2437400</a> Pin	<a href="#">Buy now</a>
20	<a href="#">66M2445400</a> Spring	<a href="#">Buy now</a>
21	<a href="#">66M2447101</a> Diaphragm	<a href="#">Buy now</a>
22	<a href="#">66M2444400</a> Screw	<a href="#">Buy now</a>
23	<a href="#">9538004600</a> Nut, hex	<a href="#">Buy now</a>
24	<a href="#">9709506030</a> Bolt(jf7)	<a href="#">Buy now</a>
25	<a href="#">9299506100</a> Washer(6a1)	<a href="#">Buy now</a>
27	<a href="#">9321020M65</a> O-ring	<a href="#">Buy now</a>
28	<a href="#">9044510810</a> Pipe, fuel 1	<a href="#">Buy now</a>
32	<a href="#">9046410M53</a> Clamp	<a href="#">Buy now</a>
33	<a href="#">68T2810000</a> Tool kit	<a href="#">Buy now</a>
34	<a href="#">60RF819975D0</a> Manual,owner's UR (NL)	<a href="#">Buy now</a>
34	<a href="#">60RF819975E0</a> Manual,owner's UR (E)	<a href="#">Buy now</a>

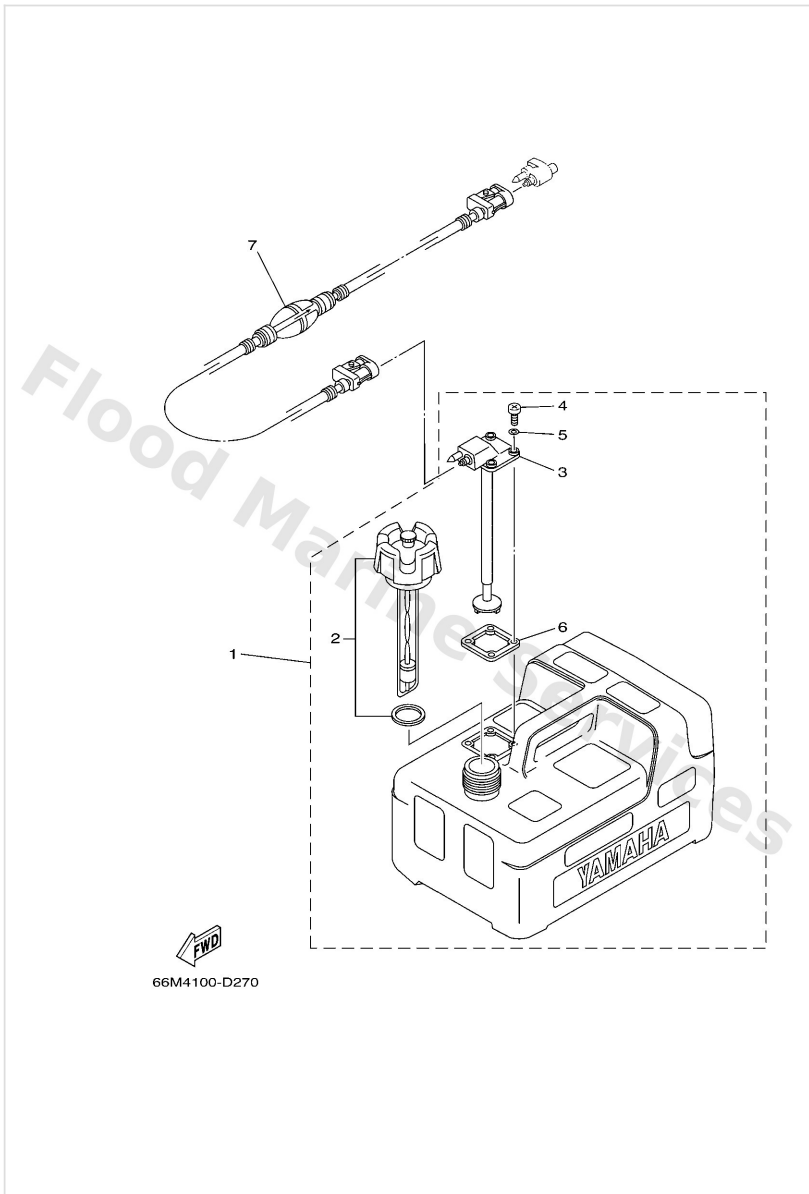
# Fuel



Ref	Part	
34	<a href="#">60RF819975F0</a> Manual,owner's UR (F)	<a href="#">Buy now</a>
34	<a href="#">60RF819975G0</a> Manual,owner's UR (D)	<a href="#">Buy now</a>
34	<a href="#">60RF819975H0</a> Manual,owner's UR (I)	<a href="#">Buy now</a>
34	<a href="#">60RF819975S0</a> Manual,owner's UR (ES)	<a href="#">Buy now</a>
35	<a href="#">60RF819985K0</a> Manual,owner's UR (DK)	<a href="#">Buy now</a>
35	<a href="#">60RF819985L0</a> Manual,owner's UR (SF)	<a href="#">Buy now</a>
35	<a href="#">60RF819985M0</a> Manual,owner's UR (S)	<a href="#">Buy now</a>
35	<a href="#">60RF819985N0</a> Manual,owner's UR (N)	<a href="#">Buy now</a>
35	<a href="#">60RF819985P0</a> Manual,owner's UR (P)	<a href="#">Buy now</a>
35	<a href="#">60RF819985R0</a> Manual,owner's UR (GR)	<a href="#">Buy now</a>

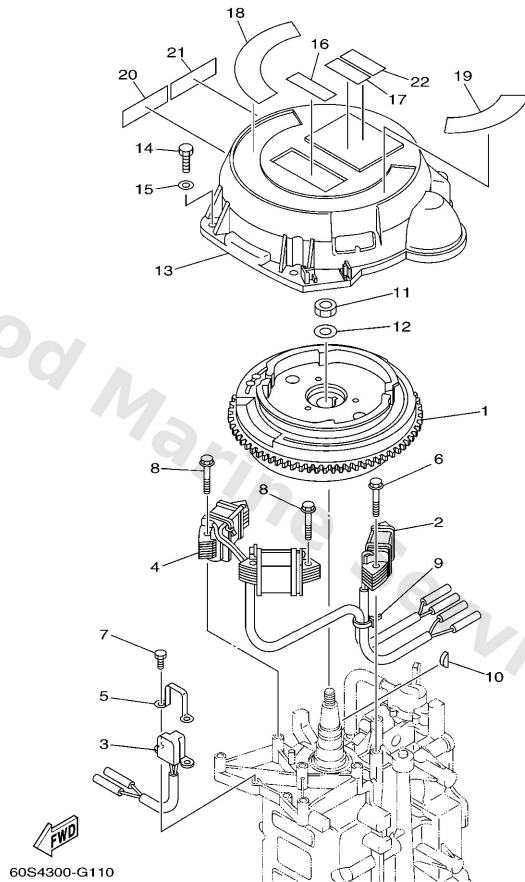


# Fuel Tank



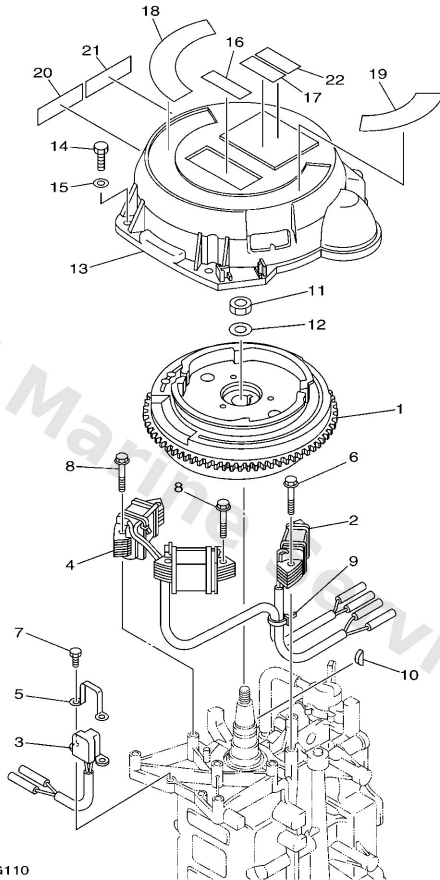
Ref	Part	
1	<a href="#">6YL2420105</a> Fuel Tank assembly (12L) AP	<a href="#">Buy now</a>
2	<a href="#">6YL2461001</a> Cap assembly	<a href="#">Buy now</a>
3	<a href="#">6YL2426001</a> Fuel meter assembly	<a href="#">Buy now</a>
4	<a href="#">9015705M16</a> Screw, pan head	<a href="#">Buy now</a>
5	<a href="#">6YL2432900</a> Seal	<a href="#">Buy now</a>
6	<a href="#">6YL2426801</a> Gasket, fuel meter	<a href="#">Buy now</a>
7	<a href="#">6YL2430654</a> Fuel pipe comp. 1 AP	<a href="#">Buy now</a>

# Generator



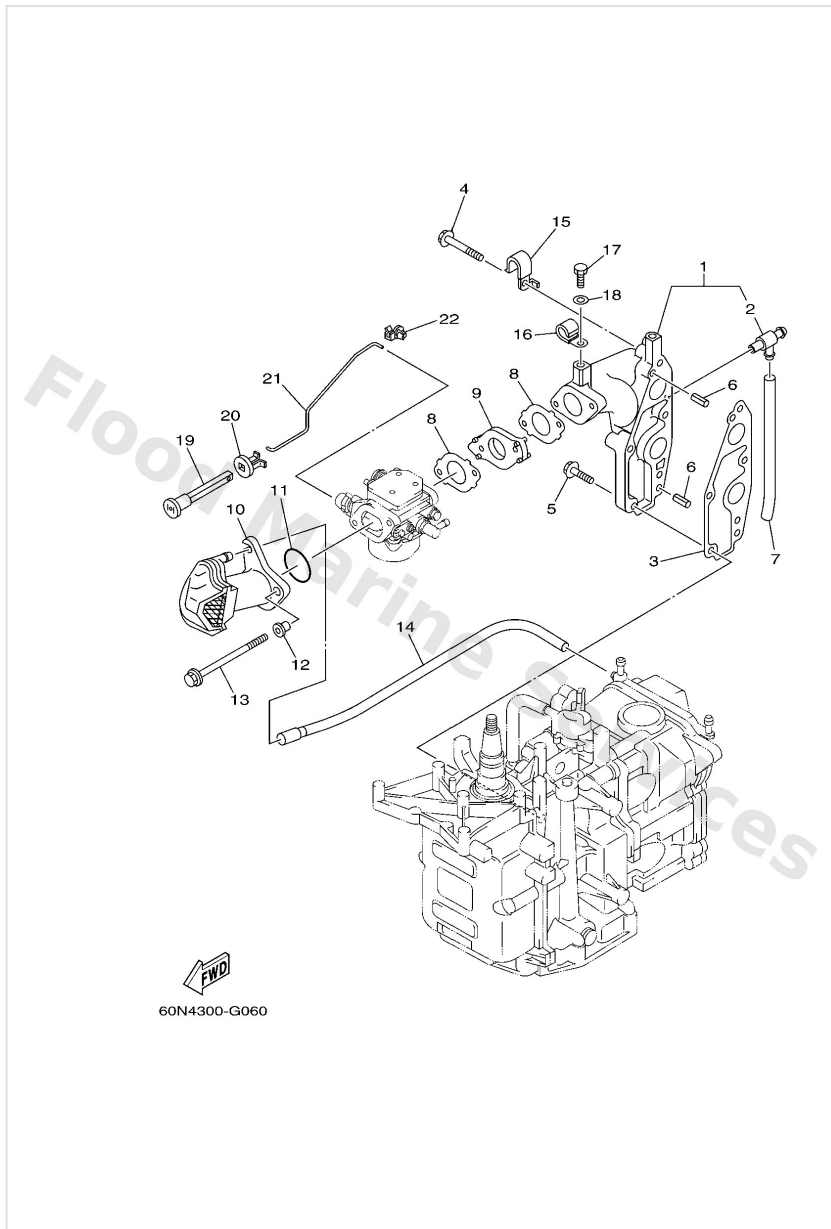
Ref	Part	
1	<a href="#">68T8555011</a> Rotor assembly	<a href="#">Buy now</a>
2	<a href="#">68T8552000</a> Coil, charge	<a href="#">Buy now</a>
3	<a href="#">68T8558001</a> Coil, pulser	<a href="#">Buy now</a>
4	<a href="#">68T8553310</a> Coil, lighting	<a href="#">Buy now</a>
5	<a href="#">6H28558200</a> Attachment, pulser	<a href="#">Buy now</a>
6	<a href="#">9011906014</a> Bolt, with washer(61b)	<a href="#">Buy now</a>
7	<a href="#">9709505010</a> Bolt (682)	<a href="#">Buy now</a>
8	<a href="#">9011906MA1</a> Bolt, with washer(63m)	<a href="#">Buy now</a>
9	<a href="#">9046511M10</a> Clamp	<a href="#">Buy now</a>
10	<a href="#">9028004M06</a> Key, woodruff(6a1)	<a href="#">Buy now</a>
11	<a href="#">9017012066</a> Nut, hexagon 6481155500	<a href="#">Buy now</a>
12	<a href="#">9020112472</a> Washer, plate (4n0)	<a href="#">Buy now</a>
13	<a href="#">60SH133701</a> Cover, Flywheel	<a href="#">Buy now</a>
14	<a href="#">9709506020</a> Bolt(7u8)	<a href="#">Buy now</a>
15	<a href="#">9299506600</a> Washer, plain (646)	<a href="#">Buy now</a>

# Generator



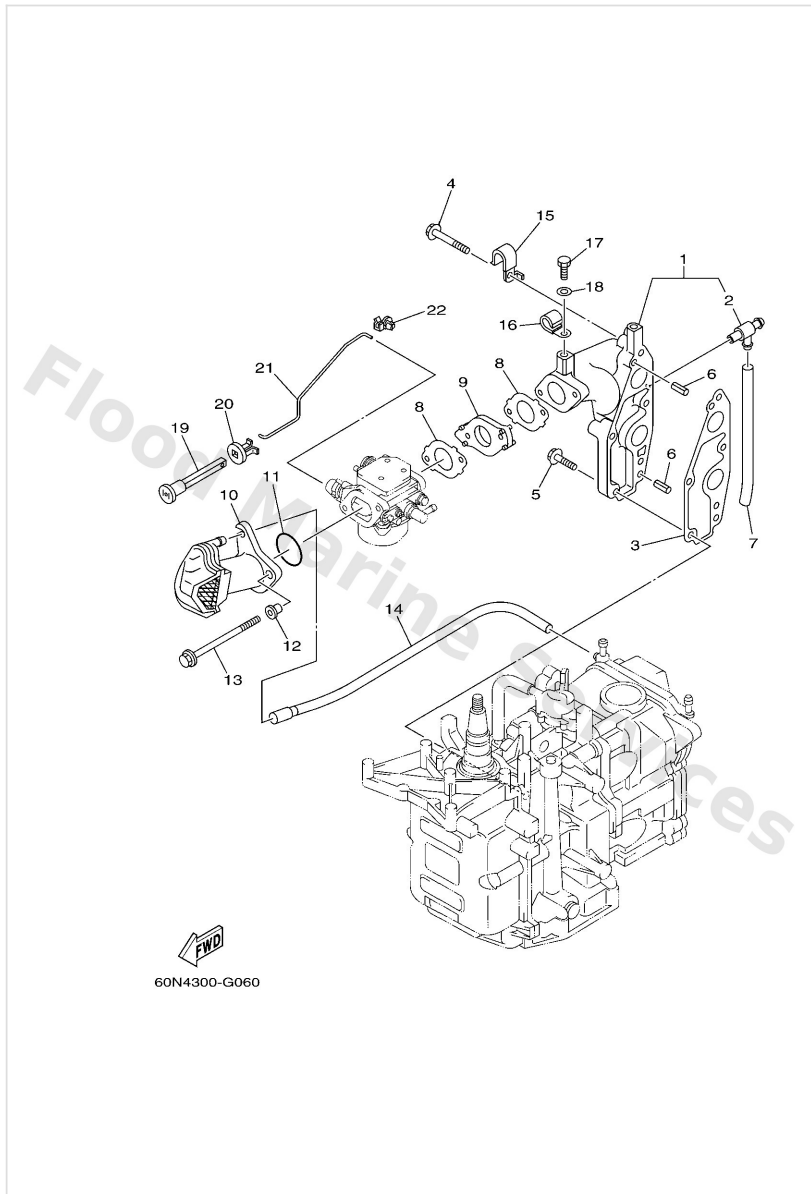
Ref	Part	
16	<a href="#">6AH8199540</a> Label, warning	<a href="#">Buy now</a>
17	<a href="#">6AH8199550</a> Label, warning	<a href="#">Buy now</a>
18	<a href="#">60RE343761</a> Mark caution nv/sav	<a href="#">Buy now</a>
19	<a href="#">60RH571160</a> Mark caution	<a href="#">Buy now</a>
20	<a href="#">6AH8199440</a> Label, safety	<a href="#">Buy now</a>
21	<a href="#">6AH8199450</a> Label, safety	<a href="#">Buy now</a>
22	<a href="#">6AG8199600</a> Mark	<a href="#">Buy now</a>

# Intake



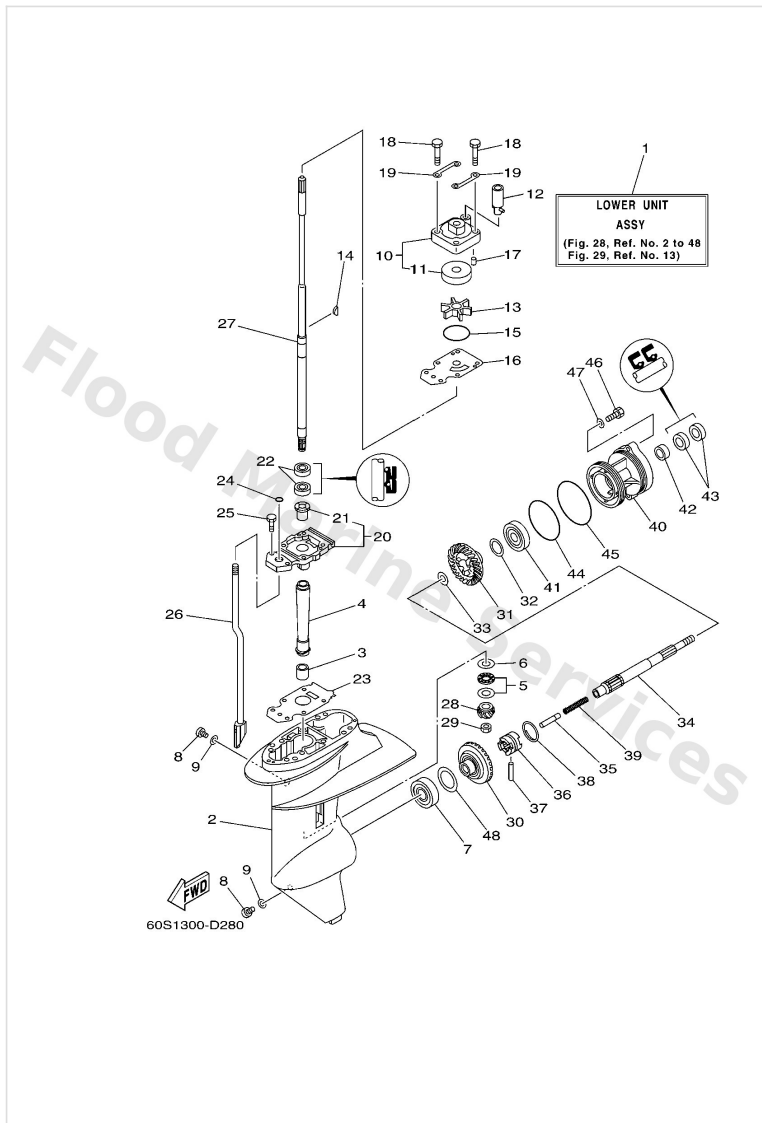
Ref	Part	
1	<a href="#">60RE3641201S</a> Manifold 1 FLUSHING KIT	<a href="#">Buy now</a>
2	<a href="#">67F1248200</a> Pipe 2	<a href="#">Buy now</a>
3	<a href="#">68T1364500</a> Gasket, manifold 1	<a href="#">Buy now</a>
4	<a href="#">9011906MA5</a> Bolt, with washer	<a href="#">Buy now</a>
5	<a href="#">9011906MA3</a> Bolt, with washer	<a href="#">Buy now</a>
6	<a href="#">9169050014</a> Pin, spring (647)	<a href="#">Buy now</a>
7	<a href="#">9044509812</a> Hose (L93) FLUSHING KIT	<a href="#">Buy now</a>
8	<a href="#">60RE3646A0</a> Gasket, manifold 2	<a href="#">Buy now</a>
9	<a href="#">68T1427100</a> Insulator	<a href="#">Buy now</a>
10	<a href="#">60RE444000</a> Silencer assembly, intake	<a href="#">Buy now</a>
11	<a href="#">9321031MJ5</a> O-ring	<a href="#">Buy now</a>
12	<a href="#">9038706M70</a> Collar (6h5)	<a href="#">Buy now</a>
13	<a href="#">9759506585</a> Bolt, flange	<a href="#">Buy now</a>
14	<a href="#">60RE248300</a> Pipe 3	<a href="#">Buy now</a>
15	<a href="#">9046508M99</a> Clamp	<a href="#">Buy now</a>

# Intake



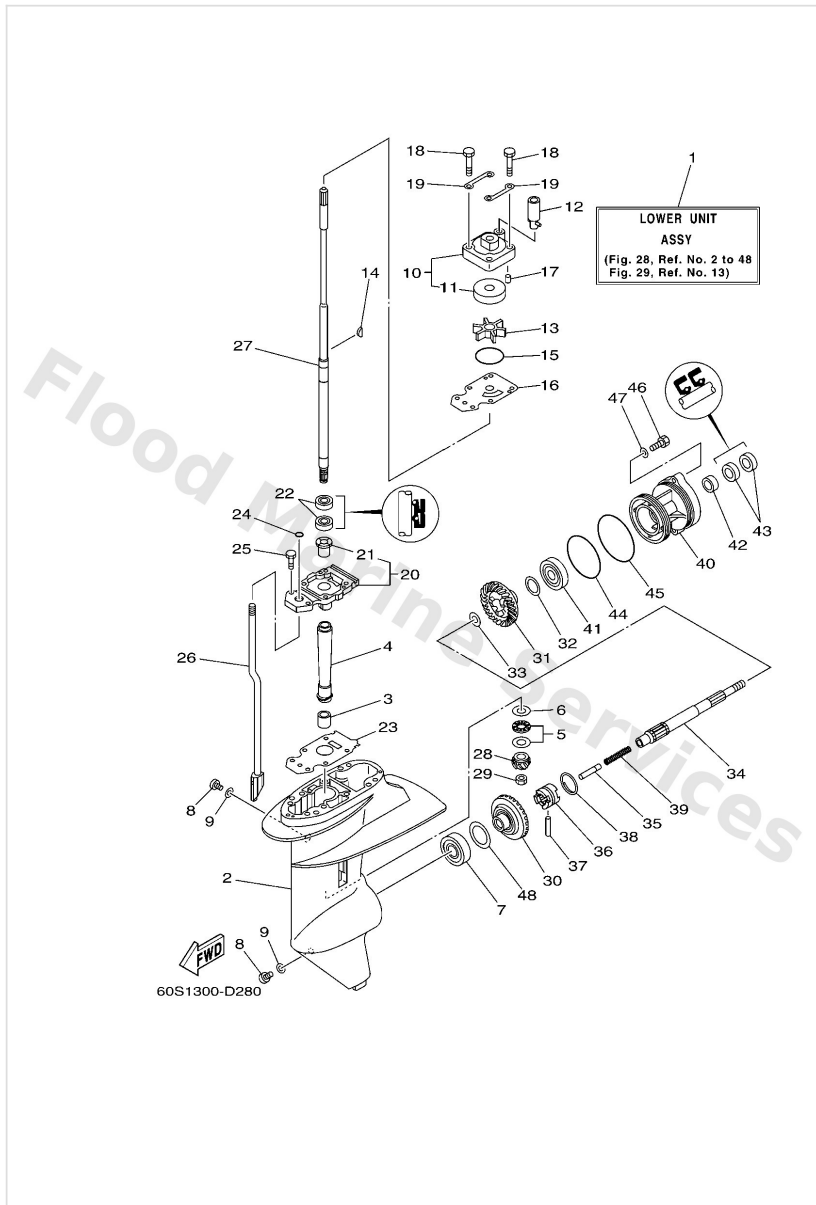
Ref	Part	
16	<a href="#">9046508M83</a> Clamp FLUSHING KIT	<a href="#">Buy now</a>
17	<a href="#">9709506010</a> Bolt FLUSHING KIT	<a href="#">Buy now</a>
18	<a href="#">9299506600</a> Washer, plain (646) FLUSHING KIT	<a href="#">Buy now</a>
19	<a href="#">6H44127101</a> Knob, choke	<a href="#">Buy now</a>
20	<a href="#">6894127300</a> Grommet	<a href="#">Buy now</a>
21	<a href="#">68T4125600</a> Rod, choke 1	<a href="#">Buy now</a>
22	<a href="#">6J84126200</a> Joint, choke lever	<a href="#">Buy now</a>

# Lower Casing & Drive 1



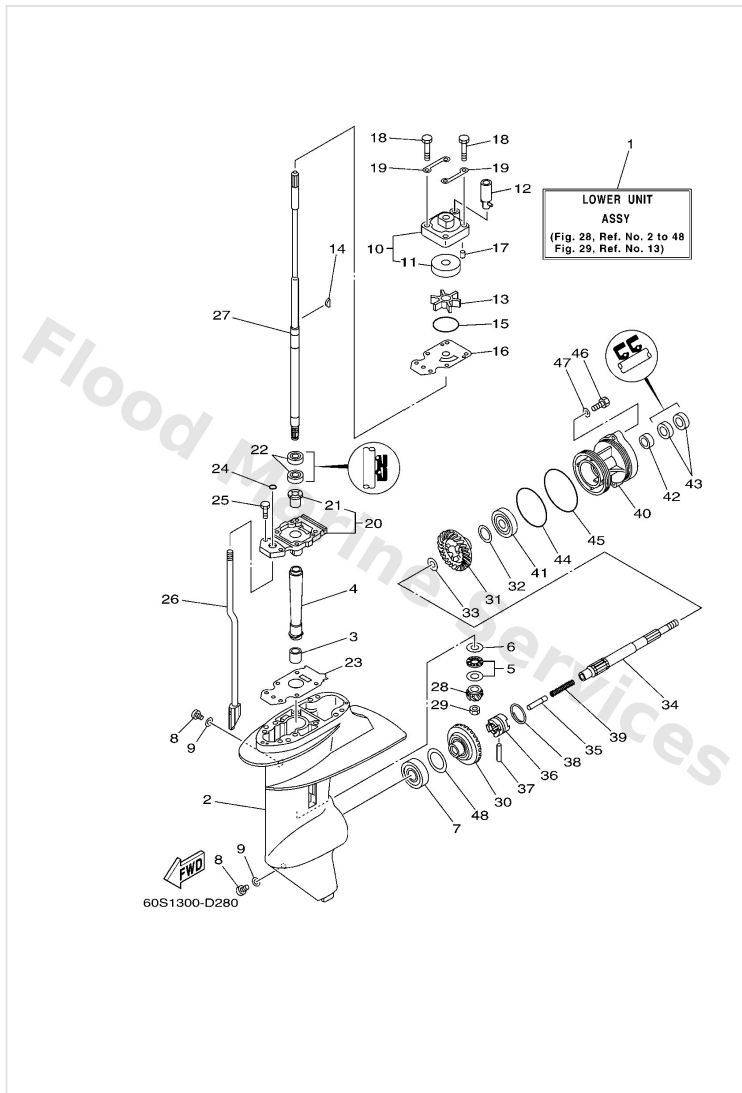
Ref	Part	
1	<a href="#">60SG5300104D</a> Lower unit assembly L(21.9")	<a href="#">Buy now</a>
1	<a href="#">60SG5300204D</a> Lower unit assembly X(24.6")	<a href="#">Buy now</a>
2	<a href="#">60SG5311004D</a> Casing, lower	<a href="#">Buy now</a>
3	<a href="#">93315314V8</a> Bearing, needle (6e7)	<a href="#">Buy now</a>
4	<a href="#">66R4553600</a> Sleeve, drive shaft	<a href="#">Buy now</a>
5	<a href="#">93341414Y0</a> Bearing	<a href="#">Buy now</a>
6	<a href="#">66R4558700</a> Shim (t:1.13mm) UR	<a href="#">Buy now</a>
6	<a href="#">66R4558710</a> Shim (t:1.2mm) UR	<a href="#">Buy now</a>
7	<a href="#">93332000Y4</a> Brg,cyl-cal roller 0.19g nt	<a href="#">Buy now</a>
8	<a href="#">9034008002</a> Plug, straight screw	<a href="#">Buy now</a>
9	<a href="#">9043008020</a> Gasket	<a href="#">Buy now</a>
10	<a href="#">63V4430100</a> Water pump housing comp.	<a href="#">Buy now</a>
11	<a href="#">63V4432200</a> Insert, cartridge	<a href="#">Buy now</a>
12	<a href="#">68T4436600</a> Damper, water seal 2	<a href="#">Buy now</a>
13	<a href="#">63V4435201</a> Impeller	<a href="#">Buy now</a>

# Lower Casing & Drive 1



Ref	Part	
14	<a href="#">6644433800</a> Key, woodruff	<a href="#">Buy now</a>
15	<a href="#">9321044398</a> O-ring(55x)	<a href="#">Buy now</a>
16	<a href="#">68T4432300</a> Outer plate, cartridge	<a href="#">Buy now</a>
17	<a href="#">9360412M07</a> Pin, dowel (688)	<a href="#">Buy now</a>
18	<a href="#">9708008045</a> Bolt, hexagon	<a href="#">Buy now</a>
19	<a href="#">63V4432800</a> Plate	<a href="#">Buy now</a>
20	<a href="#">69G45331015B</a> Housing, bearing	<a href="#">Buy now</a>
21	<a href="#">6264531609</a> Bushing, drive shaft 1	<a href="#">Buy now</a>
22	<a href="#">9310120048</a> Oil seal (20x30x6-648)	<a href="#">Buy now</a>
23	<a href="#">69G45315A0</a> Packing, lower casing	<a href="#">Buy now</a>
24	<a href="#">9321006ME6</a> O-ring	<a href="#">Buy now</a>
25	<a href="#">9708008025</a> Screw, bind(j36)	<a href="#">Buy now</a>
26	<a href="#">60SG415010</a> Shift cam assembly L(21.9")	<a href="#">Buy now</a>
26	<a href="#">60SG415020</a> Shift came assembly X(24.6")	<a href="#">Buy now</a>
27	<a href="#">69G4551010</a> Drive shaft assembly L(21.9")	<a href="#">Buy now</a>

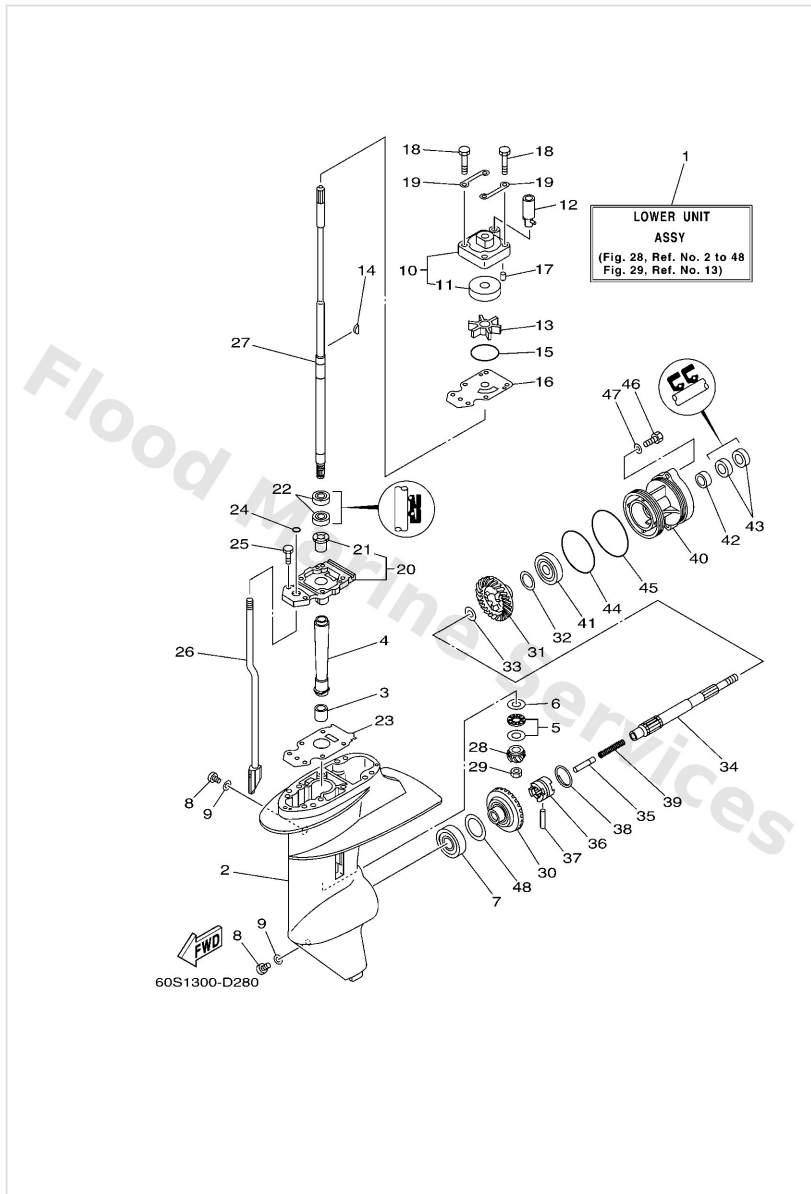
# Lower Casing & Drive 1



Ref	Part	
27	<a href="#">69G4551020</a> Drive shaft assembly X(24.6")	<a href="#">Buy now</a>
28	<a href="#">60SG555100</a> Pinion	<a href="#">Buy now</a>
29	<a href="#">9017908M06</a> Nut (6e7)	<a href="#">Buy now</a>
30	<a href="#">60SG556000</a> Gear	<a href="#">Buy now</a>
31	<a href="#">60SG557100</a> Gear	<a href="#">Buy now</a>
32	<a href="#">6264557700</a> Shim (t:0.10mm) UR	<a href="#">Buy now</a>
32	<a href="#">6264557710</a> Shim (t:0.20mm) UR	<a href="#">Buy now</a>
32	<a href="#">6264557720</a> Shim (t:0.30mm) UR	<a href="#">Buy now</a>
32	<a href="#">6264557730</a> Shim (t:0.40mm) UR	<a href="#">Buy now</a>
32	<a href="#">6264557740</a> Shim (t:0.50mm) UR	<a href="#">Buy now</a>
33	<a href="#">9020117682</a> Washer, plate (2k7)	<a href="#">Buy now</a>
34	<a href="#">6834561100</a> Shaft propeller	<a href="#">Buy now</a>
35	<a href="#">6504563500</a> Plunger, shift	<a href="#">Buy now</a>
36	<a href="#">69G4563100</a> Clutch, dog	<a href="#">Buy now</a>
37	<a href="#">9025005010</a> Pin straight 648456320000	<a href="#">Buy now</a>

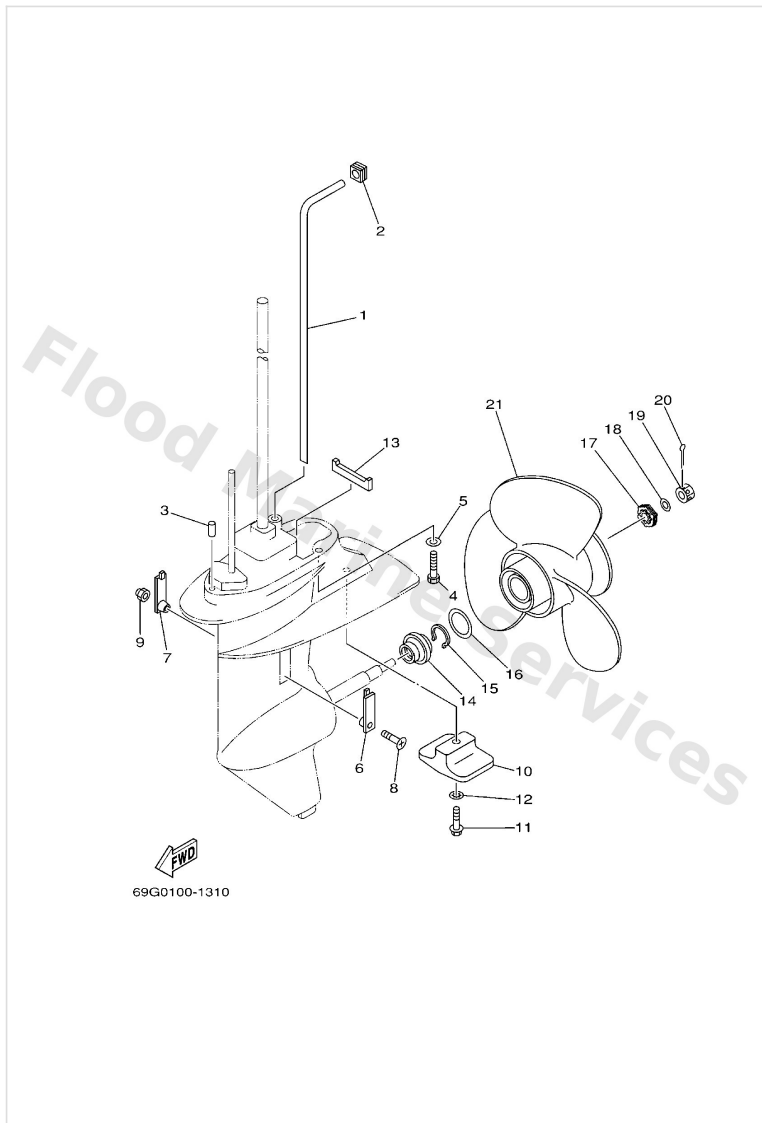


# Lower Casing & Drive 1



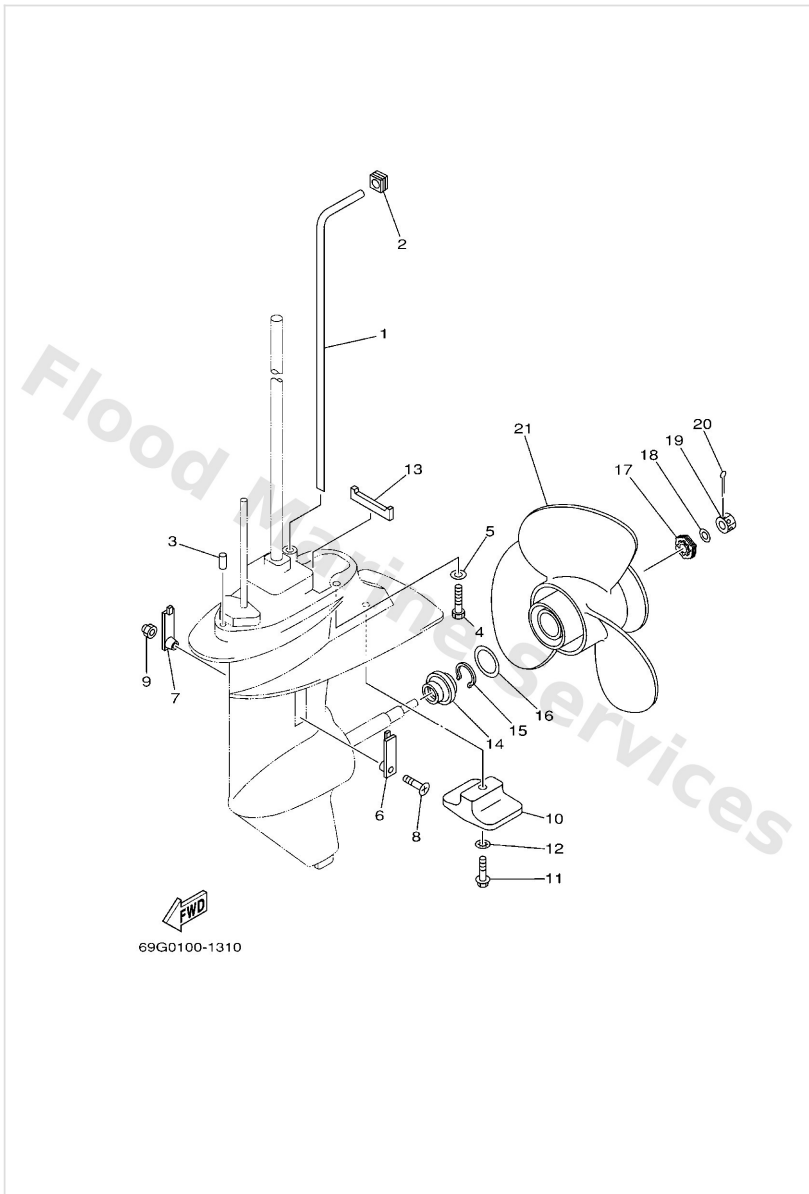
Ref	Part	
38	<a href="#">6484563300</a> Ring, cross pin	<a href="#">Buy now</a>
39	<a href="#">9050114M09</a> Spring, compression	<a href="#">Buy now</a>
40	<a href="#">66R45361004D</a> Cap, lower casing	<a href="#">Buy now</a>
41	<a href="#">93306005Y8</a> Bearing(1ff)	<a href="#">Buy now</a>
42	<a href="#">93315317Y0</a> Brg,cyl-cal roller 14g (683)	<a href="#">Buy now</a>
43	<a href="#">9310117054</a> Oil seal (17x30x6-650)	<a href="#">Buy now</a>
44	<a href="#">9321074M68</a> O-ring (6g8)	<a href="#">Buy now</a>
45	<a href="#">9321074316</a> O-ring (1j7)	<a href="#">Buy now</a>
46	<a href="#">9709506025</a> Bolt	<a href="#">Buy now</a>
47	<a href="#">9299506600</a> Washer, plain (646)	<a href="#">Buy now</a>

## Lower Casing & Drive 2



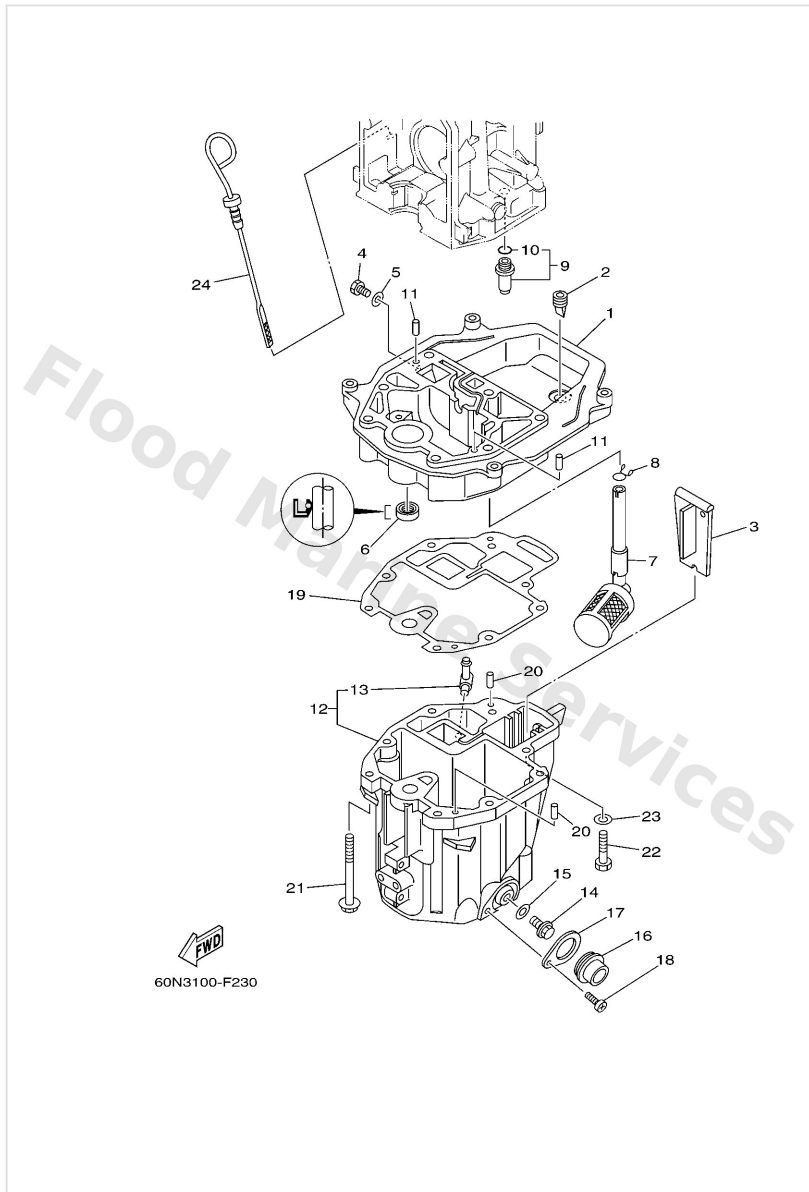
Ref	Part	
1	<a href="#">68T4436110</a> Tube, water 1 L(21.9")	<a href="#">Buy now</a>
1	<a href="#">69G4436120</a> Tube, water 1 X(24.6")	<a href="#">Buy now</a>
2	<a href="#">63V4436510</a> Damper, water seal 1	<a href="#">Buy now</a>
3	<a href="#">9360412M07</a> Pin, dowel (688)	<a href="#">Buy now</a>
4	<a href="#">9707508035</a> Bolt(70w) L(21.9")	<a href="#">Buy now</a>
5	<a href="#">9299508600</a> Washer, plain (663) L(21.9")	<a href="#">Buy now</a>
6	<a href="#">6G14521400</a> Cover, water inlet	<a href="#">Buy now</a>
7	<a href="#">63V4521500</a> Cover, water inlet	<a href="#">Buy now</a>
8	<a href="#">9015205M04</a> Screw, countersunk	<a href="#">Buy now</a>
9	<a href="#">9018505002</a> Nut nylon (sus)(ex4)	<a href="#">Buy now</a>
10	<a href="#">61N4525101</a> Anode	<a href="#">Buy now</a>
11	<a href="#">9589506030</a> Bolt, flange deep recess	<a href="#">Buy now</a>
12	<a href="#">9299006300</a> Washer, tooth	<a href="#">Buy now</a>
13	<a href="#">63V4537500</a> Damper, seal	<a href="#">Buy now</a>
14	<a href="#">6G84598702</a> Spacer	<a href="#">Buy now</a>

## Lower Casing & Drive 2



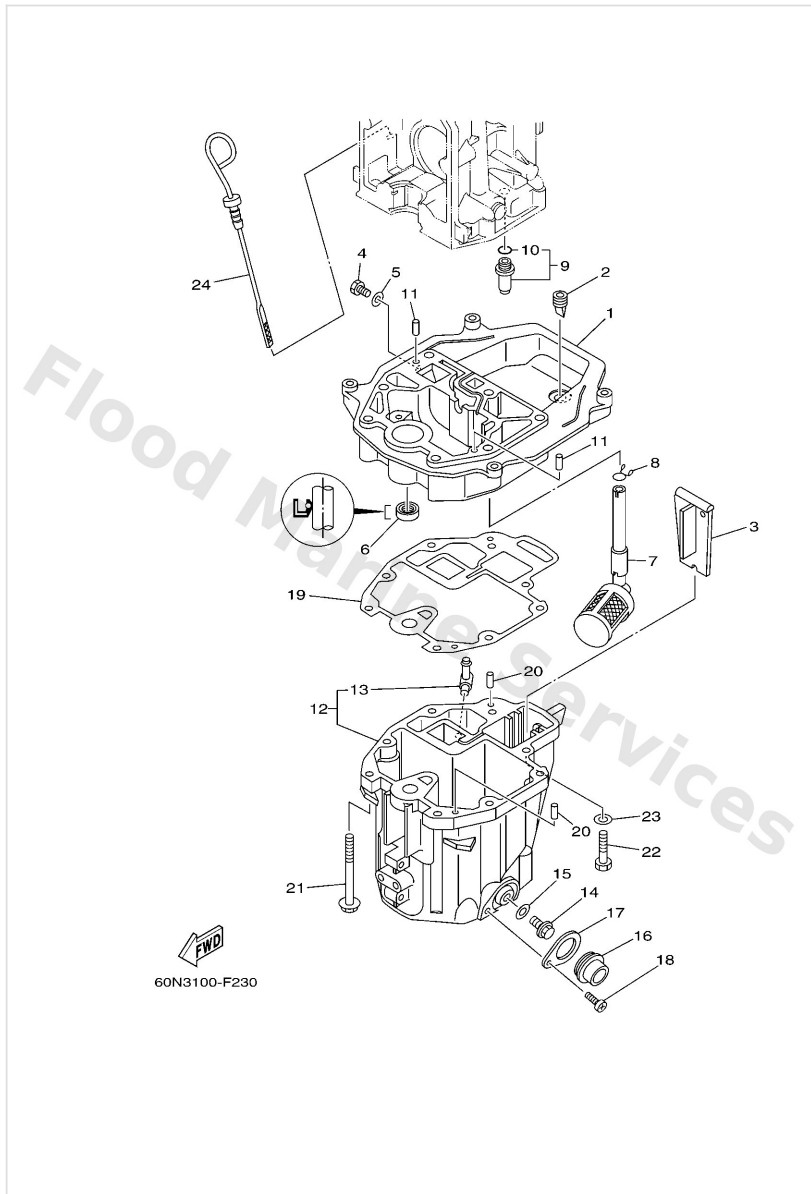
Ref	Part	
15	<a href="#">9345010M04</a> Circlip(6g8)	<a href="#">Buy now</a>
16	<a href="#">9020131MA3</a> Washer, plate (6g8)	<a href="#">Buy now</a>
17	<a href="#">6G84599700</a> Spacer	<a href="#">Buy now</a>
18	<a href="#">9020110M02</a> Washer, plate(6g9)	<a href="#">Buy now</a>
19	<a href="#">9017110M07</a> Nut, castle(6g8)	<a href="#">Buy now</a>
20	<a href="#">9149030025</a> Pin cotter	<a href="#">Buy now</a>
21	<a href="#">69G4594100EL</a> Propeller (3x11-3/4 x5-3/4 -r)	<a href="#">Buy now</a>

# Oil Pan



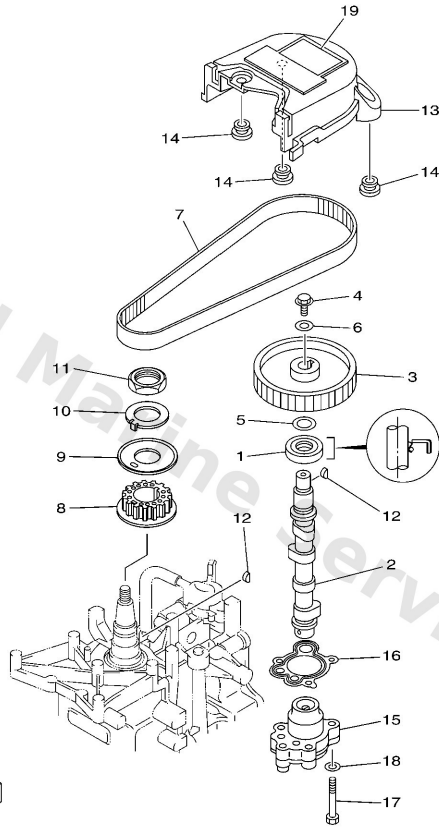
Ref	Part	
1	<a href="#">60RG11370094</a> Guide, exhaust	<a href="#">Buy now</a>
2	<a href="#">60SG271700</a> Rubber, seal 2	<a href="#">Buy now</a>
3	<a href="#">60RG518100</a> Plate	<a href="#">Buy now</a>
4	<a href="#">9709508014</a> Bolt, hexagon deep recess	<a href="#">Buy now</a>
5	<a href="#">9043008800</a> Gasket (256-11198-00)	<a href="#">Buy now</a>
6	<a href="#">9310112M70</a> Oil seal	<a href="#">Buy now</a>
7	<a href="#">68T1342101</a> Strainer 2	<a href="#">Buy now</a>
8	<a href="#">9046711M08</a> Clip(72x)	<a href="#">Buy now</a>
9	<a href="#">6G81157500</a> Relief valve ass'y	<a href="#">Buy now</a>
10	<a href="#">9321012M62</a> O-ring (6g8)	<a href="#">Buy now</a>
11	<a href="#">9360619M23</a> Pin, dowel	<a href="#">Buy now</a>
12	<a href="#">60RE5311005B</a> Oil pan	<a href="#">Buy now</a>
13	<a href="#">6H11137200</a> Nipple, hose	<a href="#">Buy now</a>
14	<a href="#">9034010M10</a> Plug, straight screw	<a href="#">Buy now</a>
15	<a href="#">9043010M11</a> Gasket	<a href="#">Buy now</a>

# Oil Pan



Ref	Part	
16	<a href="#">60RE531600</a> Damper, engine mount 1	<a href="#">Buy now</a>
17	<a href="#">68T1531700</a> Spacer, engine mount	<a href="#">Buy now</a>
18	<a href="#">9788505008</a> Screw, pan head	<a href="#">Buy now</a>
19	<a href="#">68T1347500</a> Gasket	<a href="#">Buy now</a>
20	<a href="#">9360412M07</a> Pin, dowel (688)	<a href="#">Buy now</a>
21	<a href="#">9011908005</a> Bolt, with washer	<a href="#">Buy now</a>
22	<a href="#">9707508030</a> Bolt, hexagon (fj1)	<a href="#">Buy now</a>
23	<a href="#">9299508600</a> Washer, plain (663)	<a href="#">Buy now</a>
24	<a href="#">68T1536200</a> Plug, oil level	<a href="#">Buy now</a>

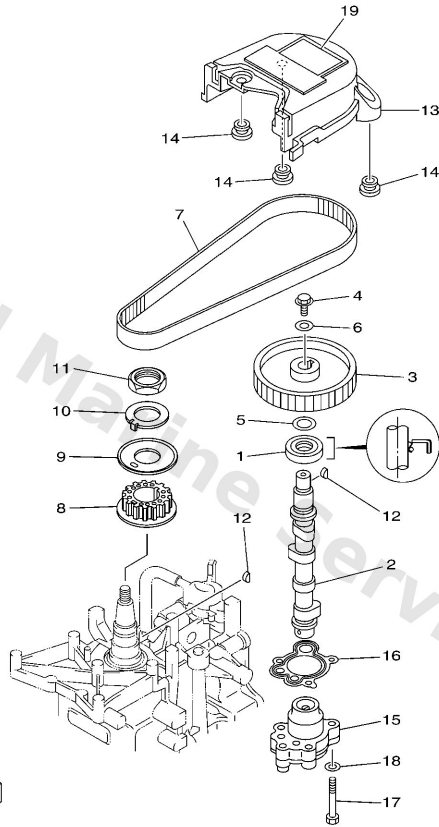
# Oil Pump



  
60S1300-D080

Ref	Part	
1	<a href="#">9310218M21</a> Oil seal (6g8)	<a href="#">Buy now</a>
2	<a href="#">60RE217100</a> Camshaft	<a href="#">Buy now</a>
3	<a href="#">60RE15370094</a> Gear, driven	<a href="#">Buy now</a>
4	<a href="#">9010506M14</a> Bolt (6e0)	<a href="#">Buy now</a>
5	<a href="#">9020113201</a> Washer 6474283300	<a href="#">Buy now</a>
6	<a href="#">9020106M94</a> Washer (6g8)	<a href="#">Buy now</a>
7	<a href="#">60RG624100</a> Belt	<a href="#">Buy now</a>
8	<a href="#">60RE153600</a> Gear, drive	<a href="#">Buy now</a>
9	<a href="#">68T1155700</a> Washer 1	<a href="#">Buy now</a>
10	<a href="#">6G81158701</a> Washer, lock	<a href="#">Buy now</a>
11	<a href="#">9017024M09</a> Nut (6g8)	<a href="#">Buy now</a>
12	<a href="#">9028003M01</a> Key woodruff 146115450000	<a href="#">Buy now</a>
13	<a href="#">60RG629700</a> Cover, dust	<a href="#">Buy now</a>
14	<a href="#">9048010627</a> Grommet	<a href="#">Buy now</a>
15	<a href="#">68T1330000</a> Oil pump assembly	<a href="#">Buy now</a>

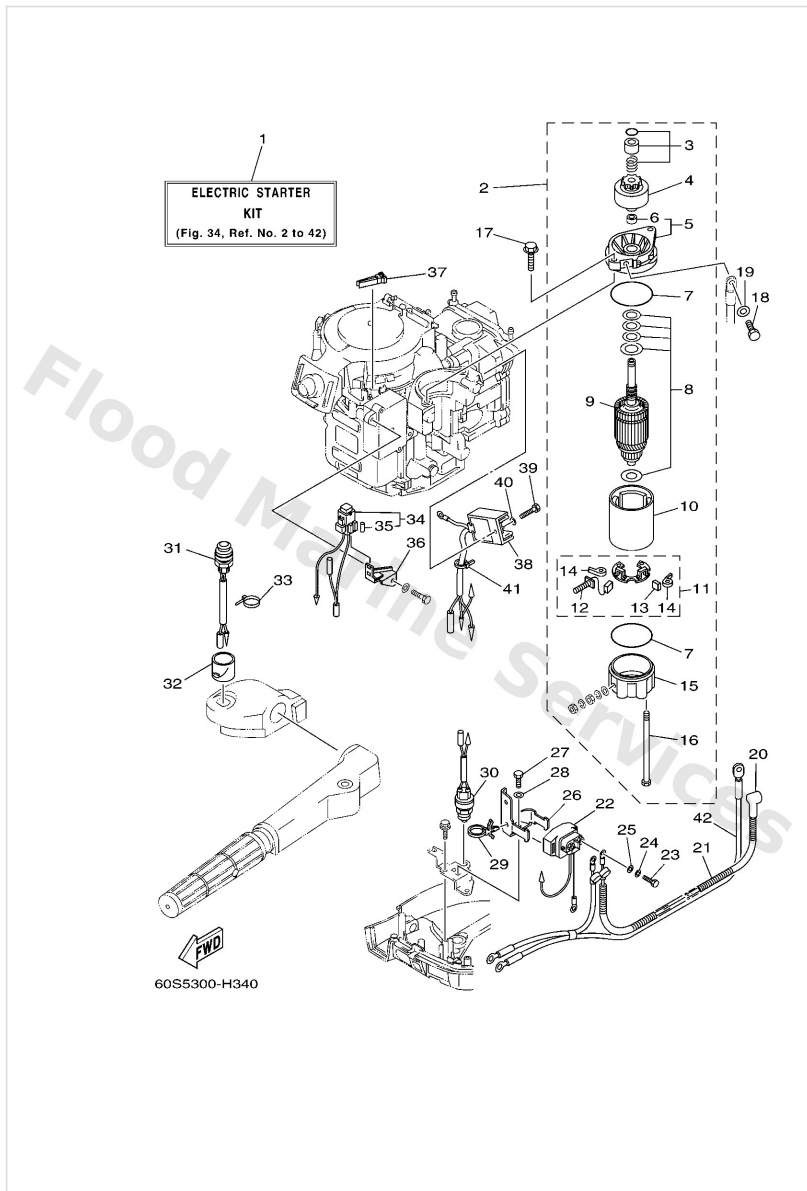
# Oil Pump



  
60S1300-D080

Ref	Part	
16	<a href="#">68T1332900</a> Gasket, pump cover	<a href="#">Buy now</a>
17	<a href="#">9709506030</a> Bolt(jf7)	<a href="#">Buy now</a>
18	<a href="#">9299506600</a> Washer, plain (646)	<a href="#">Buy now</a>
19	<a href="#">60RE213860</a> Mark, Caution	<a href="#">Buy now</a>

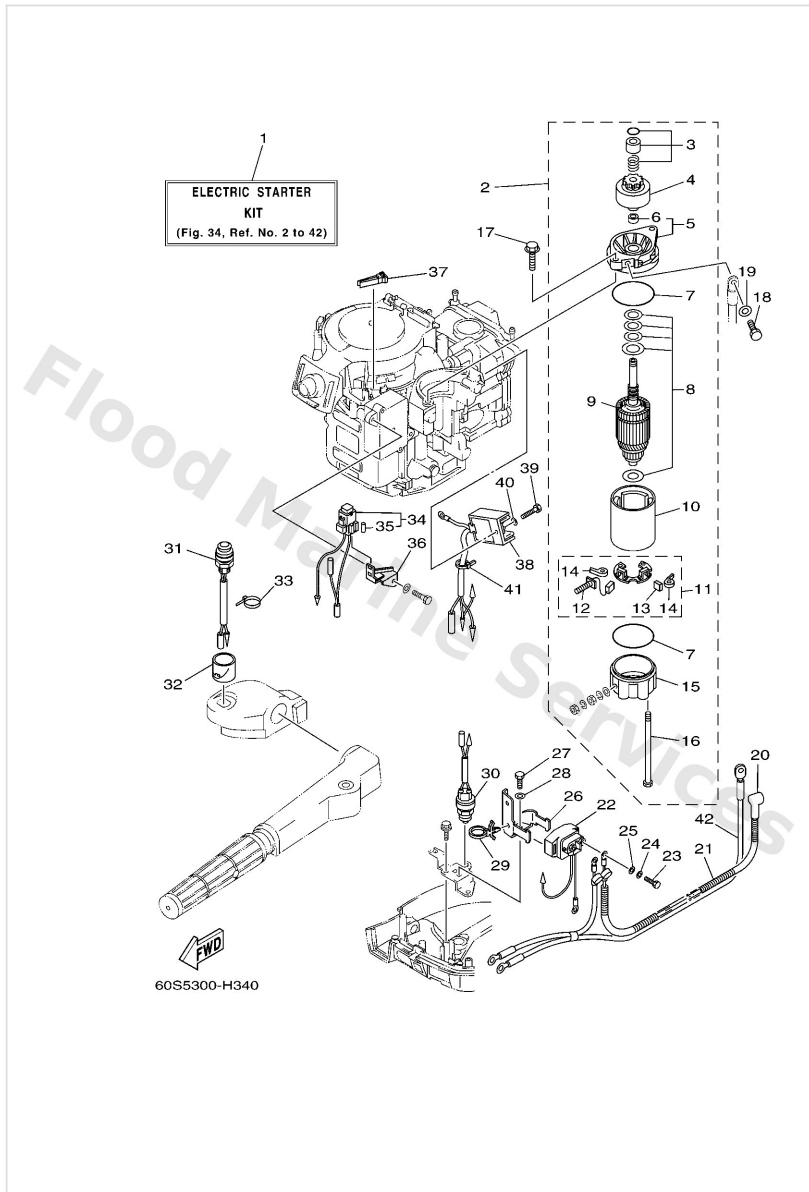
# Optional Parts 1



Ref	Part	
1	<a href="#">68RW818010</a> Electric starter kit AP	<a href="#">Buy now</a>
2	<a href="#">68T8180000</a> Starting motor assembly	<a href="#">Buy now</a>
3	<a href="#">68T8185700</a> Pinion stopper set	<a href="#">Buy now</a>
4	<a href="#">6898180712</a> Pinion assembly	<a href="#">Buy now</a>
5	<a href="#">6F58183010</a> Front cover assembly	<a href="#">Buy now</a>
6	<a href="#">6898183100</a> Metal, front	<a href="#">Buy now</a>
7	<a href="#">6898184711</a> O-ring	<a href="#">Buy now</a>
8	<a href="#">6898180911</a> Washer kit	<a href="#">Buy now</a>
9	<a href="#">6898185011</a> Armature assembly	<a href="#">Buy now</a>
10	<a href="#">6898181011</a> Stator ass'y	<a href="#">Buy now</a>
11	<a href="#">6898184011</a> Brush holder assembly	<a href="#">Buy now</a>
12	<a href="#">6898181111</a> Brush 1	<a href="#">Buy now</a>
13	<a href="#">6898181211</a> Brush 2	<a href="#">Buy now</a>
14	<a href="#">6898181310</a> Spring, brush	<a href="#">Buy now</a>
15	<a href="#">6898182011</a> Rear cover ass'y	<a href="#">Buy now</a>

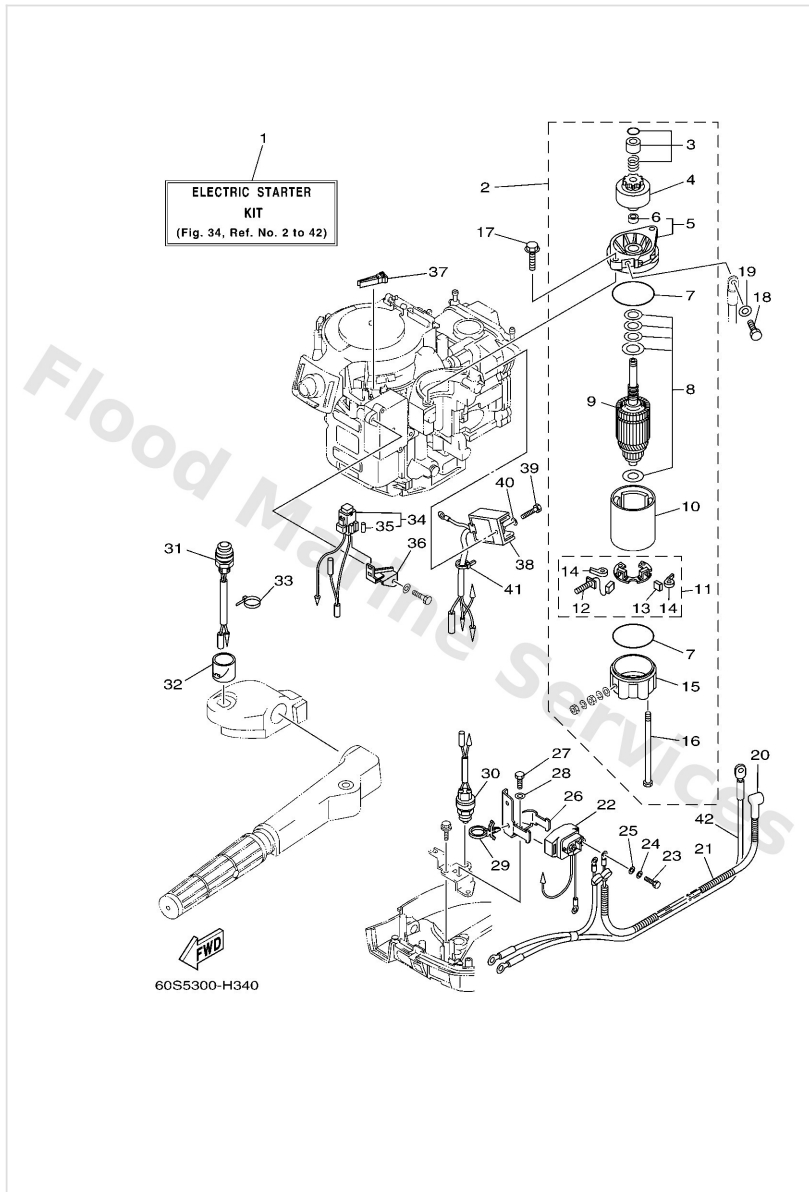


# Optional Parts 1



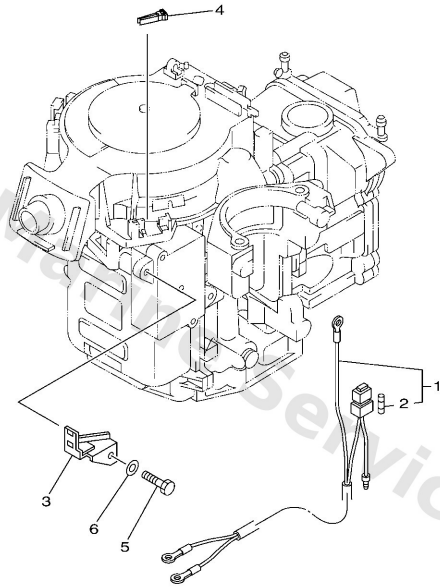
Ref	Part	
16	<a href="#">6898182610</a> Bolt	<a href="#">Buy now</a>
17	<a href="#">9011908M76</a> Bolt, with washer(6e5)	<a href="#">Buy now</a>
18	<a href="#">9709508016</a> Bolt, hexagon deep recess	<a href="#">Buy now</a>
19	<a href="#">9299508600</a> Washer, plain (663)	<a href="#">Buy now</a>
20	<a href="#">6G88211700</a> Wire, lead	<a href="#">Buy now</a>
21	<a href="#">9044610M86</a> Hose	<a href="#">Buy now</a>
22	<a href="#">68T8194000</a> Starter relay assembly	<a href="#">Buy now</a>
23	<a href="#">9709506010</a> Bolt	<a href="#">Buy now</a>
24	<a href="#">9299506100</a> Washer(6a1)	<a href="#">Buy now</a>
25	<a href="#">9299506600</a> Washer, plain (646)	<a href="#">Buy now</a>
26	<a href="#">68T8194501</a> Plate, switch fitting	<a href="#">Buy now</a>
27	<a href="#">9709506012</a> Bolt(gh1)	<a href="#">Buy now</a>
29	<a href="#">9046512M56</a> Clamp(62t)	<a href="#">Buy now</a>
30	<a href="#">6F58254001</a> Neutral switch assembly	<a href="#">Buy now</a>
31	<a href="#">68T8187000</a> Starting switch assembly	<a href="#">Buy now</a>

# Optional Parts 1



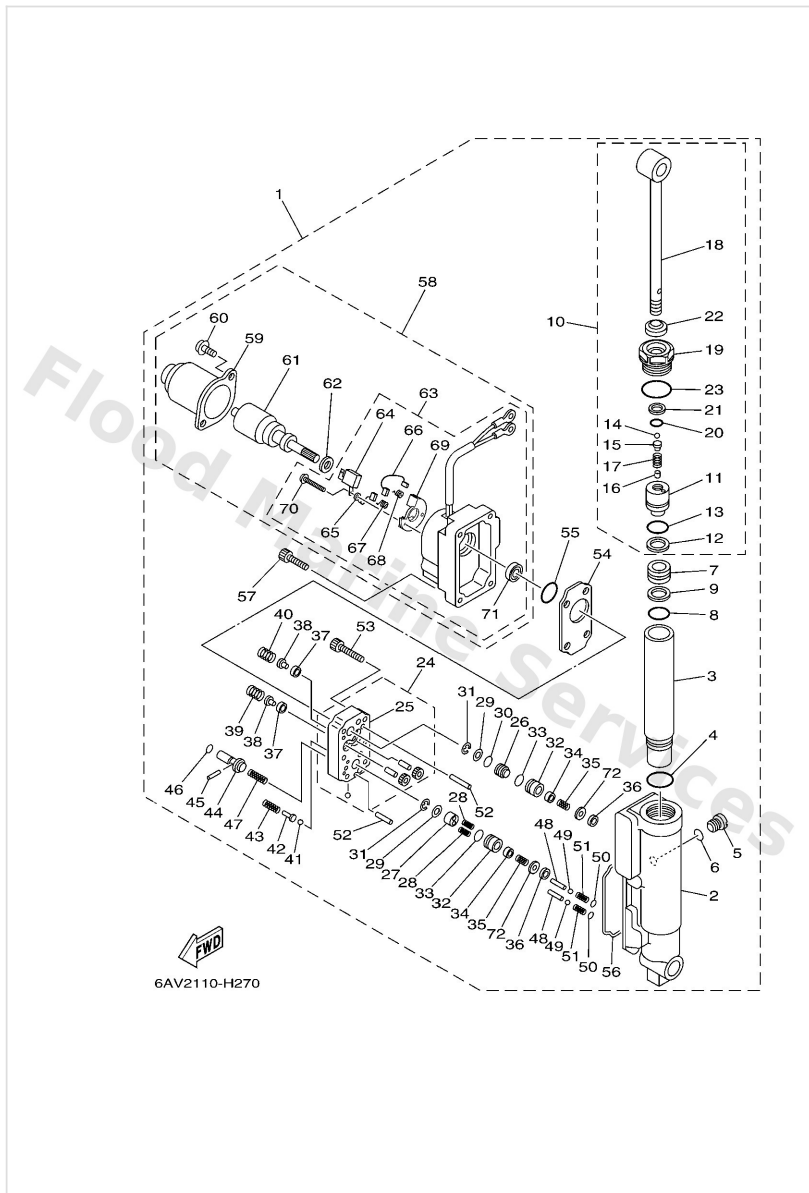
Ref	Part	
32	<a href="#">68T8182100</a> Cover, switch	<a href="#">Buy now</a>
33	<a href="#">9046511M10</a> Clamp	<a href="#">Buy now</a>
34	<a href="#">68T8215000</a> Fuse holder assembly	<a href="#">Buy now</a>
35	<a href="#">66V8215100</a> Fuse (10a)	<a href="#">Buy now</a>
36	<a href="#">68T8217101</a> Stay, fuse box	<a href="#">Buy now</a>
37	<a href="#">67F2812A00</a> Puller, fuse	<a href="#">Buy now</a>
38	<a href="#">68T8196000</a> Rectifier & regulator assembly	<a href="#">Buy now</a>
42	<a href="#">68T8210500</a> Battery cable (l: 3.0m)	<a href="#">Buy now</a>

## Optional Parts 2



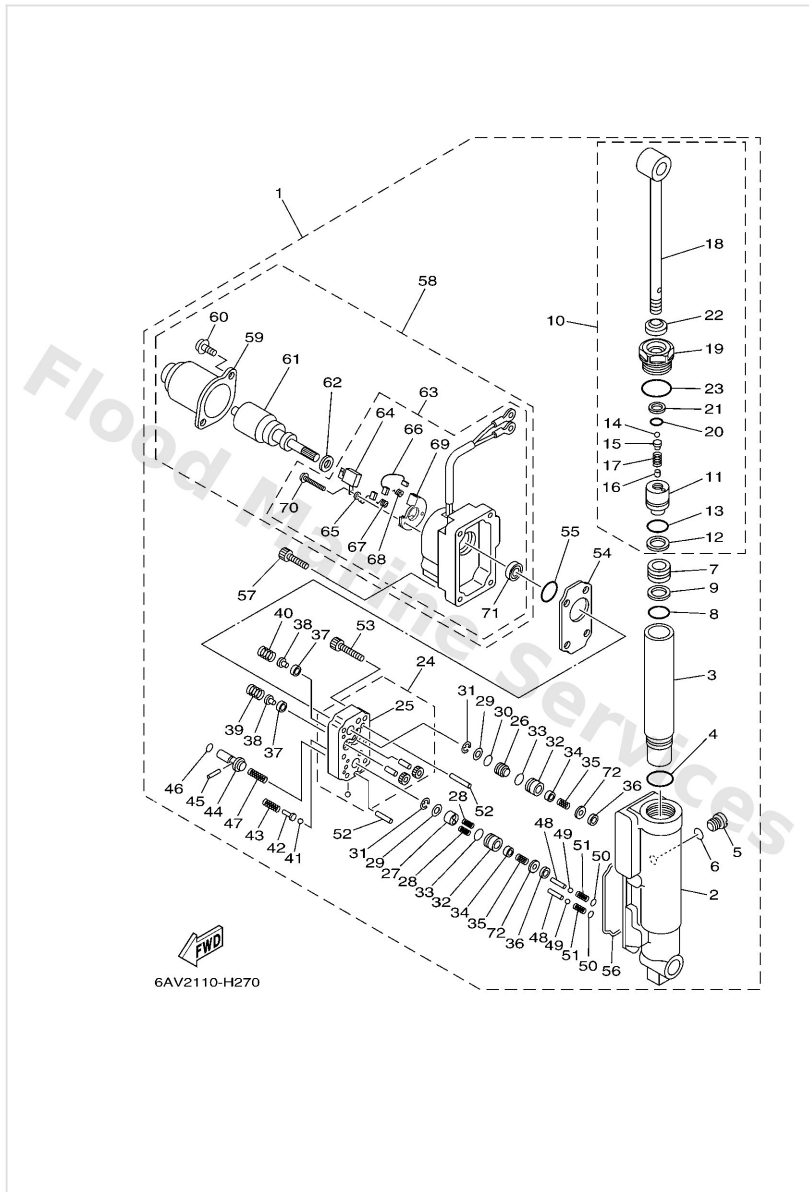
Ref	Part	
1	<a href="#">68T8194900</a> Wire, lead AP	<a href="#">Buy now</a>
2	<a href="#">66V8215100</a> Fuse (10a)	<a href="#">Buy now</a>
3	<a href="#">68T8217101</a> Stay, fuse box AP	<a href="#">Buy now</a>
4	<a href="#">67F2812A00</a> Puller, fuse AP	<a href="#">Buy now</a>
5	<a href="#">9709506012</a> Bolt(gh1) AP	<a href="#">Buy now</a>
6	<a href="#">9299506600</a> Washer, plain (646) AP	<a href="#">Buy now</a>

# Power Tilt Assy



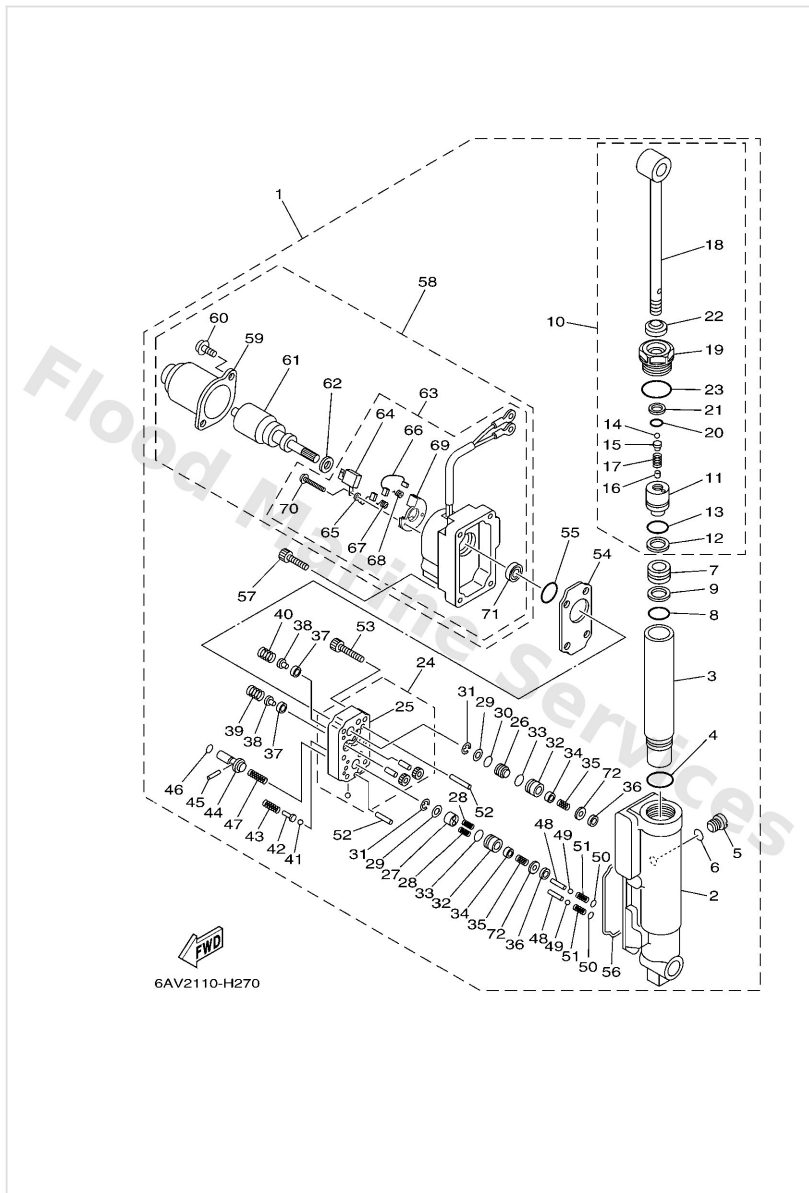
Ref	Part	
1	<a href="#">69G43840024D</a> Power tilt assembly	<a href="#">Buy now</a>
2	<a href="#">69A4380K00</a> Cylinder, tilt sub assembly	<a href="#">Buy now</a>
3	<a href="#">69A2247100</a> Case, cylinder	<a href="#">Buy now</a>
4	<a href="#">9321027666</a> O-ring(47x)	<a href="#">Buy now</a>
5	<a href="#">6H14388E11</a> Plug, tapper screw	<a href="#">Buy now</a>
6	<a href="#">9321007003</a> O-ring (11m)	<a href="#">Buy now</a>
7	<a href="#">69A4381400</a> Piston, free	<a href="#">Buy now</a>
8	<a href="#">9321021276</a> O-ring	<a href="#">Buy now</a>
9	<a href="#">69A4387200</a> Ring, back up	<a href="#">Buy now</a>
10	<a href="#">69A4381000</a> Piston sub assembly	<a href="#">Buy now</a>
11	<a href="#">69A4380D00</a> Piston comp.	<a href="#">Buy now</a>
14	<a href="#">9350532038</a> Ball(7fk)	<a href="#">Buy now</a>
15	<a href="#">65W4386A00</a> Pin, absorber valve	<a href="#">Buy now</a>
16	<a href="#">9360406136</a> Pin, dowel	<a href="#">Buy now</a>
17	<a href="#">69A4385700</a> Spring, absorber valve	<a href="#">Buy now</a>

# Power Tilt Assy



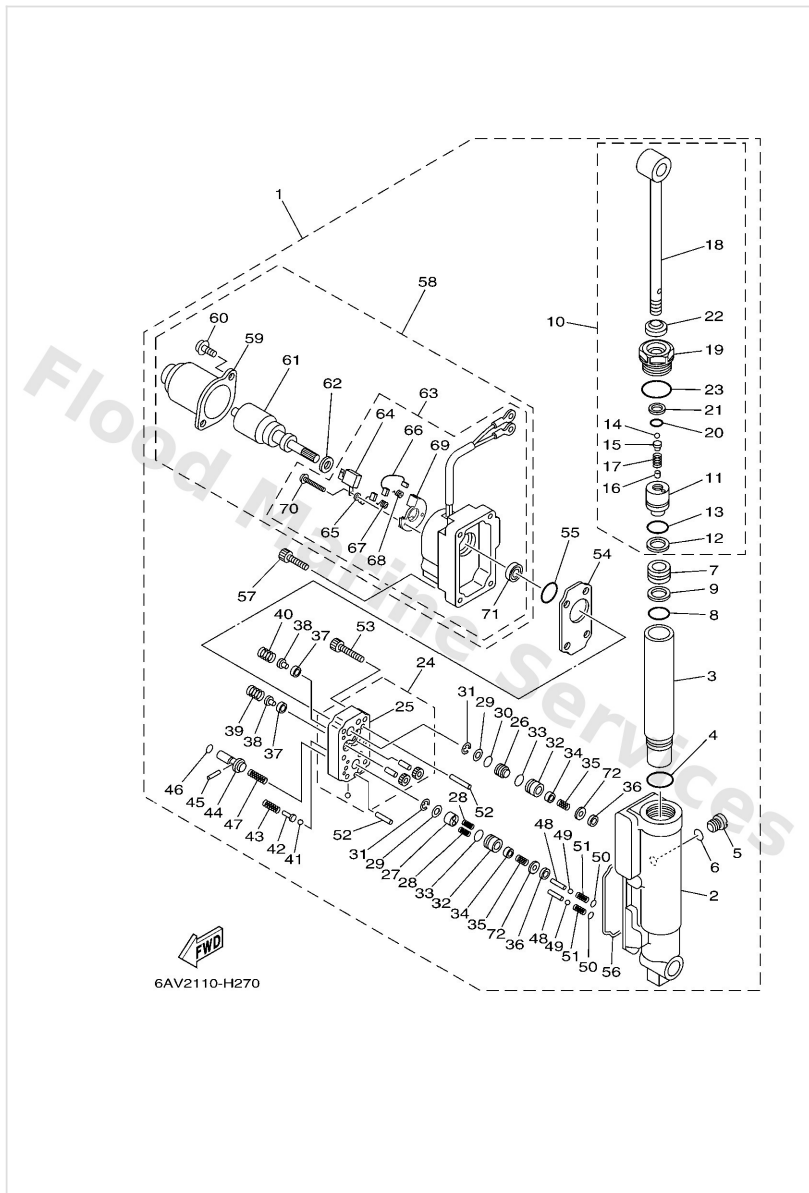
Ref	Part	
18	<a href="#">69A4380100</a> Rod	<a href="#">Buy now</a>
19	<a href="#">69A4381101</a> Screw, cylinder end	<a href="#">Buy now</a>
20	<a href="#">6H14386600</a> O-ring	<a href="#">Buy now</a>
21	<a href="#">69A4387100</a> Ring, back up	<a href="#">Buy now</a>
22	<a href="#">69A4381200</a> Seal, dust	<a href="#">Buy now</a>
23	<a href="#">69A4386900</a> O-ring	<a href="#">Buy now</a>
24	<a href="#">69A4383000</a> Gear pump assembly	<a href="#">Buy now</a>
25	<a href="#">69A4380C00</a> Gear housing assembly	<a href="#">Buy now</a>
26	<a href="#">69A4384100</a> Piston, shuttle	<a href="#">Buy now</a>
27	<a href="#">69A4384M00</a> Piston, shuttle 2	<a href="#">Buy now</a>
28	<a href="#">62Y4389400</a> Spring, shuttle return	<a href="#">Buy now</a>
29	<a href="#">69A4384F00</a> Seal, main valve	<a href="#">Buy now</a>
30	<a href="#">6H14388300</a> O-ring	<a href="#">Buy now</a>
31	<a href="#">9900203600</a> Circlip(6I5)	<a href="#">Buy now</a>
32	<a href="#">69G4382G00</a> Valve seat	<a href="#">Buy now</a>

# Power Tilt Assy



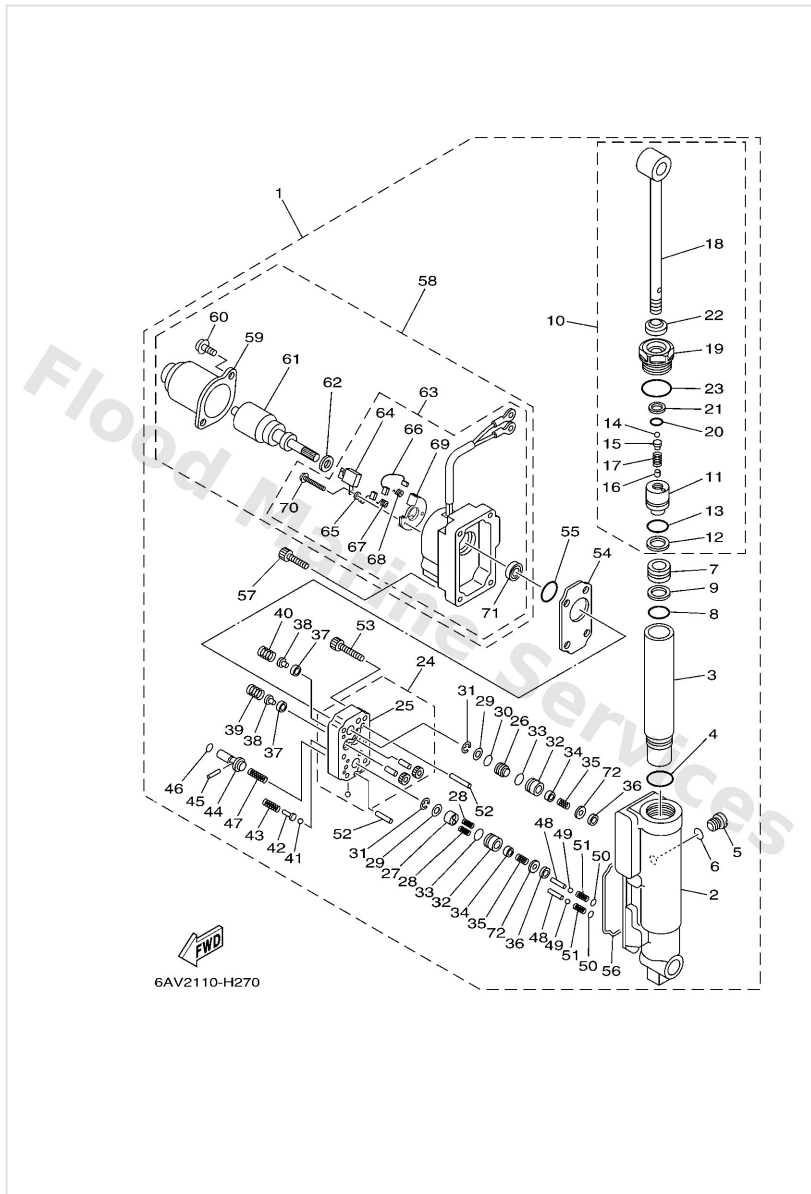
Ref	Part	
33	<a href="#">9321012N52</a> O-ring	<a href="#">Buy now</a>
34	<a href="#">6T44380800</a> Seat valve comp. 1	<a href="#">Buy now</a>
35	<a href="#">69G4385300</a> Spring, main valve	<a href="#">Buy now</a>
36	<a href="#">69J4381C00</a> Filter 3	<a href="#">Buy now</a>
37	<a href="#">6H14384G11</a> Seal, relief valve	<a href="#">Buy now</a>
38	<a href="#">6H14384410</a> Pin, valve support	<a href="#">Buy now</a>
39	<a href="#">69A4385500</a> Spring, up relief	<a href="#">Buy now</a>
40	<a href="#">6H14385610</a> Spring, down relief	<a href="#">Buy now</a>
41	<a href="#">9350108001</a> Ball	<a href="#">Buy now</a>
42	<a href="#">69A4386A00</a> Pin, absorber valve	<a href="#">Buy now</a>
43	<a href="#">69A4382400</a> Spring, down relief 2	<a href="#">Buy now</a>
44	<a href="#">69A4384800</a> Rod, manual release	<a href="#">Buy now</a>
45	<a href="#">9360215250</a> Pin, dowel	<a href="#">Buy now</a>
46	<a href="#">9321006001</a> O-ring (26h)	<a href="#">Buy now</a>
47	<a href="#">69A4385400</a> Spring, manual release	<a href="#">Buy now</a>

# Power Tilt Assy



Ref	Part	
48	<a href="#">69A4381G00</a> Pin 1	<a href="#">Buy now</a>
51	<a href="#">69A4384H00</a> Spring	<a href="#">Buy now</a>
52	<a href="#">9360614081</a> Pin,dowel(296)	<a href="#">Buy now</a>
53	<a href="#">9131205025</a> Bolt	<a href="#">Buy now</a>
54	<a href="#">69A4381601</a> Filter 1	<a href="#">Buy now</a>
55	<a href="#">N354386210</a> O-ring	<a href="#">Buy now</a>
56	<a href="#">69A2312900</a> Gasket, drain plug	<a href="#">Buy now</a>
57	<a href="#">69A4387800</a> Bolt, socket	<a href="#">Buy now</a>
58	<a href="#">69G4388001</a> Motor assembly	<a href="#">Buy now</a>
59	<a href="#">65W4380401</a> Stator assembly	<a href="#">Buy now</a>
60	<a href="#">65W4388701</a> Bolt	<a href="#">Buy now</a>
61	<a href="#">65W4380501</a> Armature assembly	<a href="#">Buy now</a>
62	<a href="#">65W4387G00</a> Washer	<a href="#">Buy now</a>
63	<a href="#">69G4388101</a> Frame, end	<a href="#">Buy now</a>
64	<a href="#">65W8218100</a> Circuit breaker comp.	<a href="#">Buy now</a>

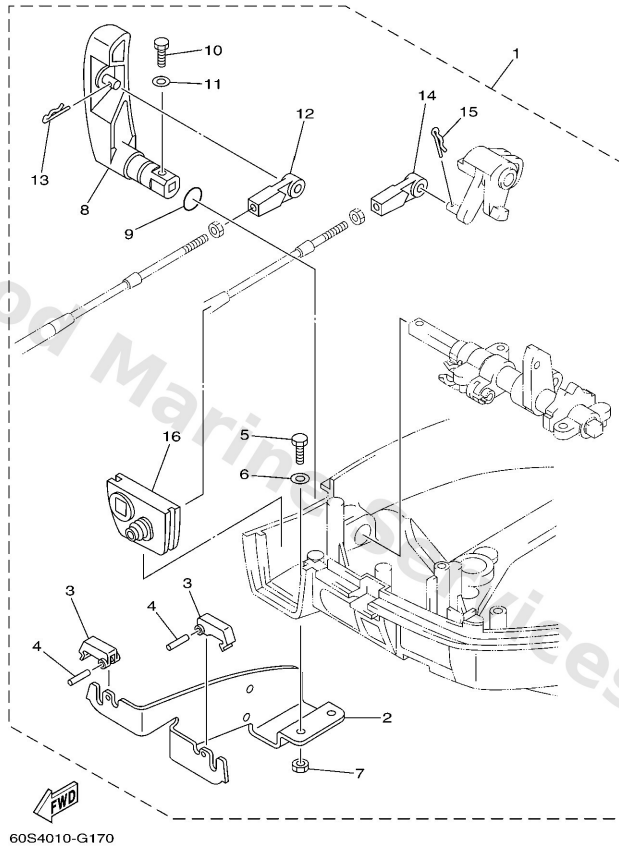
# Power Tilt Assy



Ref	Part	
65	<a href="#">65W4389201</a> Brush 2	<a href="#">Buy now</a>
66	<a href="#">65W4389101</a> Brush 1	<a href="#">Buy now</a>
67	<a href="#">65W4386K01</a> Spring, brush	<a href="#">Buy now</a>
68	<a href="#">65W4386L00</a> Spring, brush 2	<a href="#">Buy now</a>
69	<a href="#">65W4380F01</a> Plate, brush holder	<a href="#">Buy now</a>
70	<a href="#">65W4387901</a> Screw, with washer	<a href="#">Buy now</a>
71	<a href="#">65W4388201</a> Oil seal	<a href="#">Buy now</a>
72	<a href="#">69G4388F00</a> Spacer	<a href="#">Buy now</a>

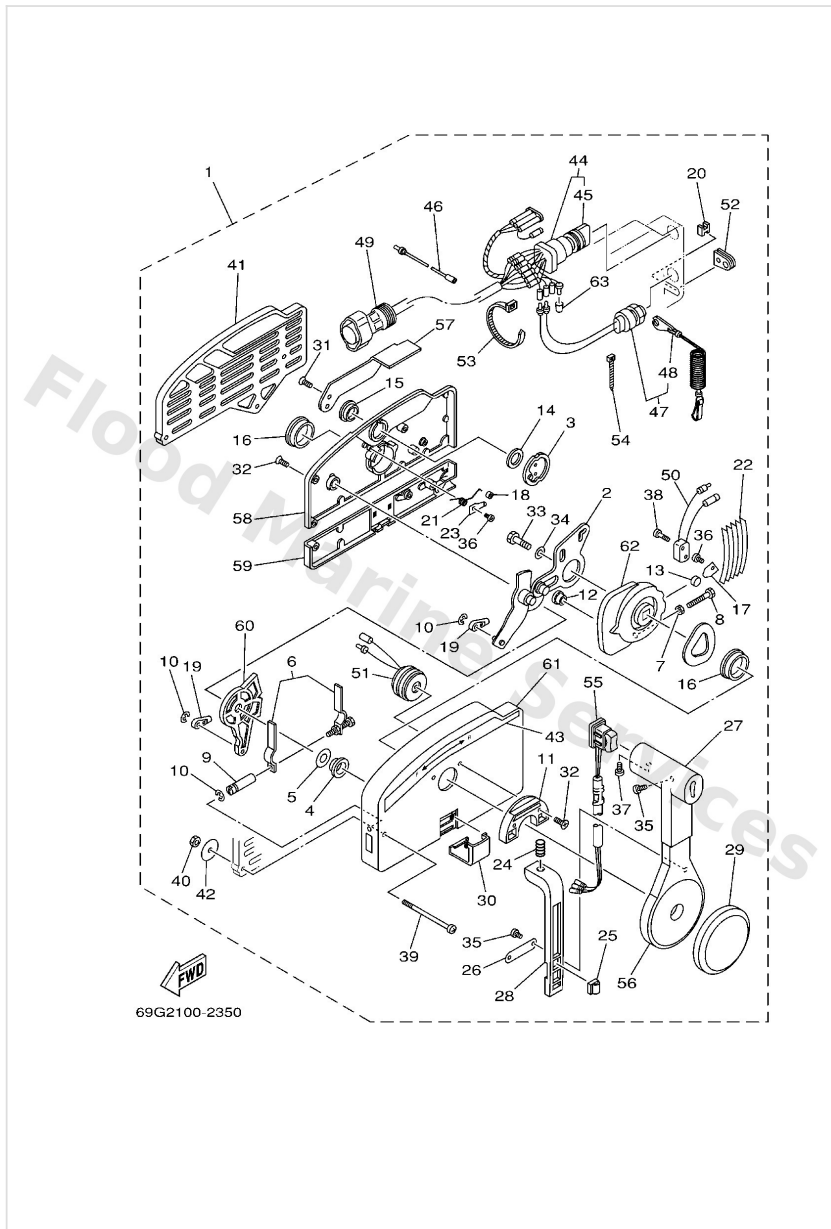


# Remo Con Attachment



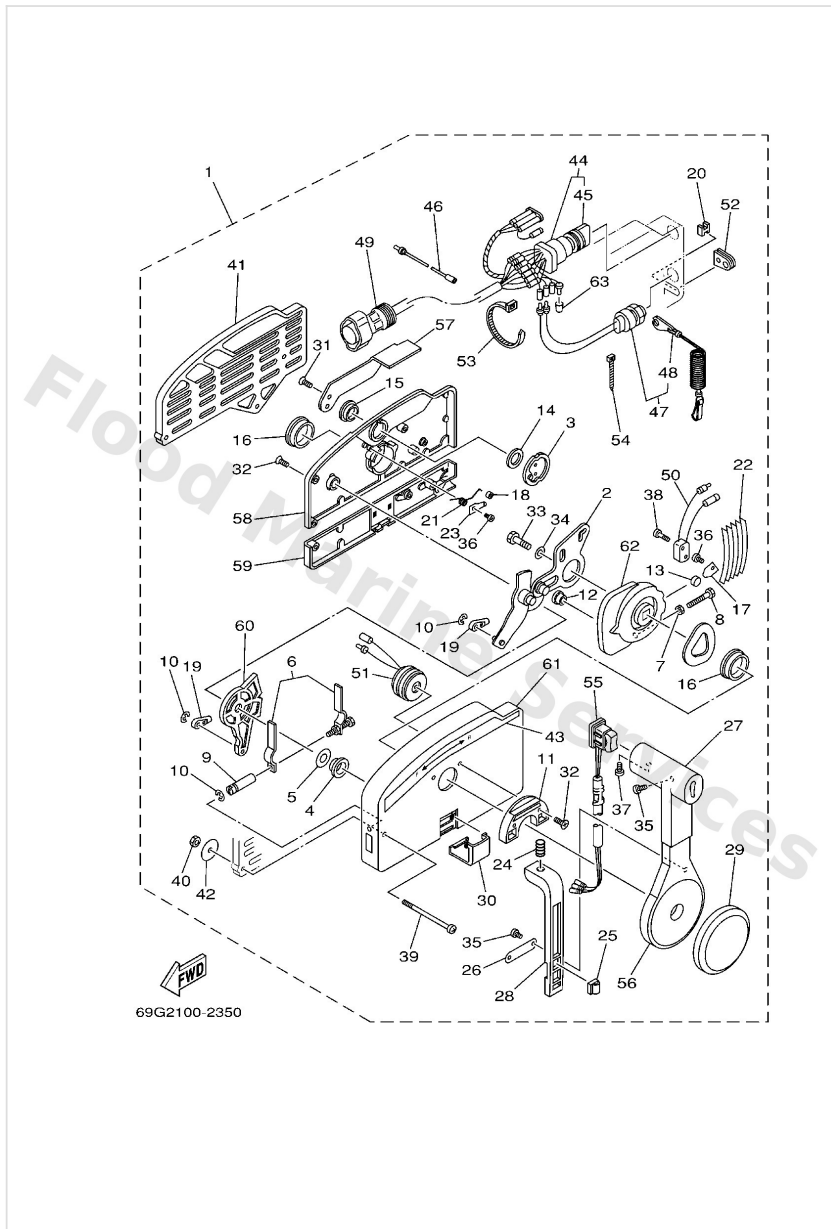
Ref	Part	
1	<a href="#">60RG850100</a> Remote cont. attachment assembly. AP	<a href="#">Buy now</a>
2	<a href="#">68T4853100</a> Bracket, remote control 1	<a href="#">Buy now</a>
3	<a href="#">6824853850</a> Clamp, cable	<a href="#">Buy now</a>
4	<a href="#">9169030012</a> Pin, spring	<a href="#">Buy now</a>
5	<a href="#">9709506012</a> Bolt(gh1)	<a href="#">Buy now</a>
6	<a href="#">9299506600</a> Washer, plain (646)	<a href="#">Buy now</a>
7	<a href="#">9538006600</a> Nut(661)	<a href="#">Buy now</a>
8	<a href="#">60RG411110</a> Handle, gear shift	<a href="#">Buy now</a>
9	<a href="#">9321012327</a> O-ring(3ld)	<a href="#">Buy now</a>
10	<a href="#">9709505016</a> Bolt(6a1)	<a href="#">Buy now</a>
11	<a href="#">9299505600</a> Washer, plain (646)	<a href="#">Buy now</a>
12	<a href="#">6634834400</a> Cable end, remote control	<a href="#">Buy now</a>
13	<a href="#">9046818008</a> Clip 620436610000	<a href="#">Buy now</a>
16	<a href="#">68T4272510</a> Grommet	<a href="#">Buy now</a>

# Remote Control Assy



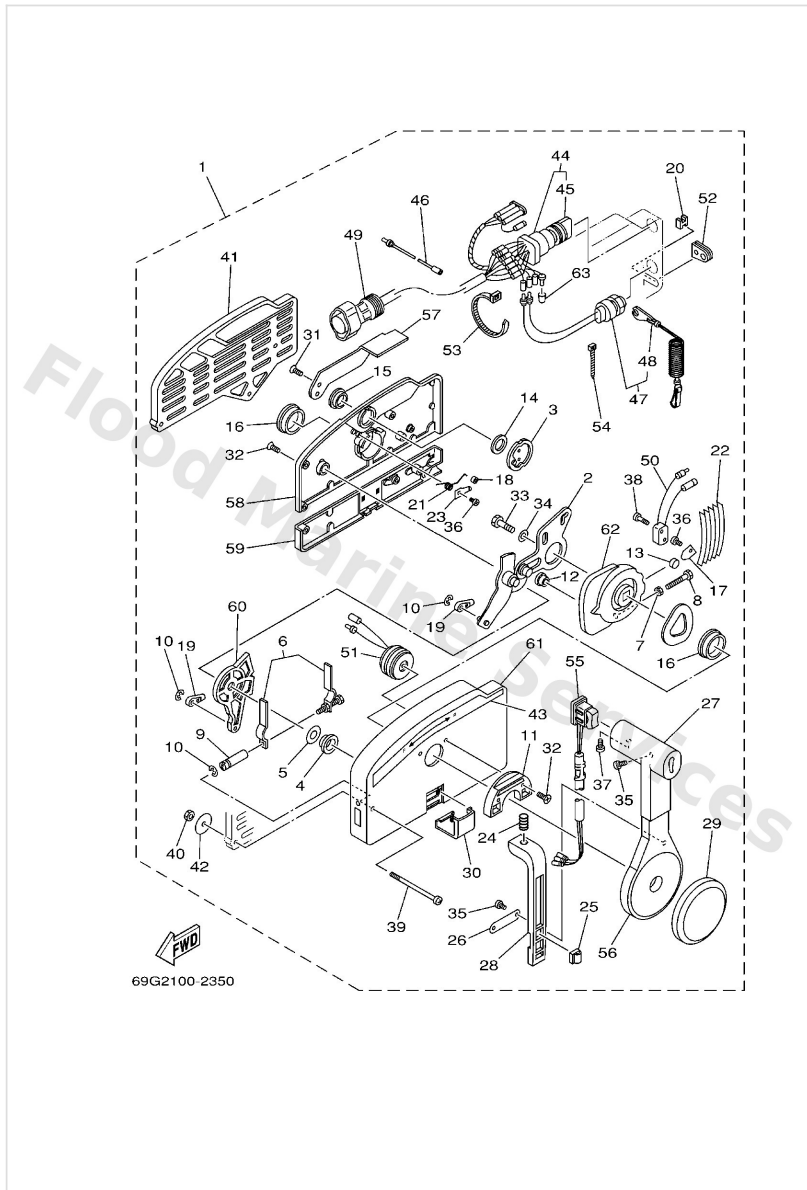
Ref	Part	
1	<a href="#">7034820116</a> Remote control assembly (10p) AP WITHOUT PT/T SW.	<a href="#">Buy now</a>
1	<a href="#">7034820517</a> Remote control assembly (10p, ptt) AP WITH PT/T SW.	<a href="#">Buy now</a>
2	<a href="#">7034826101</a> Arm, throttle	<a href="#">Buy now</a>
3	<a href="#">7034815300</a> Shaft, free accel.	<a href="#">Buy now</a>
4	<a href="#">7034823500</a> Bushing	<a href="#">Buy now</a>
5	<a href="#">7034826800</a> Spacer 3	<a href="#">Buy now</a>
6	<a href="#">7034826400</a> Throttle, friction	<a href="#">Buy now</a>
7	<a href="#">9538005600</a> Nut, hexagon (663)	<a href="#">Buy now</a>
8	<a href="#">9738005025</a> Bolt	<a href="#">Buy now</a>
9	<a href="#">7034826500</a> Shaft Friction	<a href="#">Buy now</a>
10	<a href="#">9343006024</a> Circlip (701)	<a href="#">Buy now</a>
11	<a href="#">7034824500</a> Plate, lock	<a href="#">Buy now</a>
12	<a href="#">7034825200</a> Roller, cam	<a href="#">Buy now</a>
13	<a href="#">7014824800</a> Roller, free accel	<a href="#">Buy now</a>
14	<a href="#">7034819800</a> Washer, wave 3	<a href="#">Buy now</a>

# Remote Control Assy



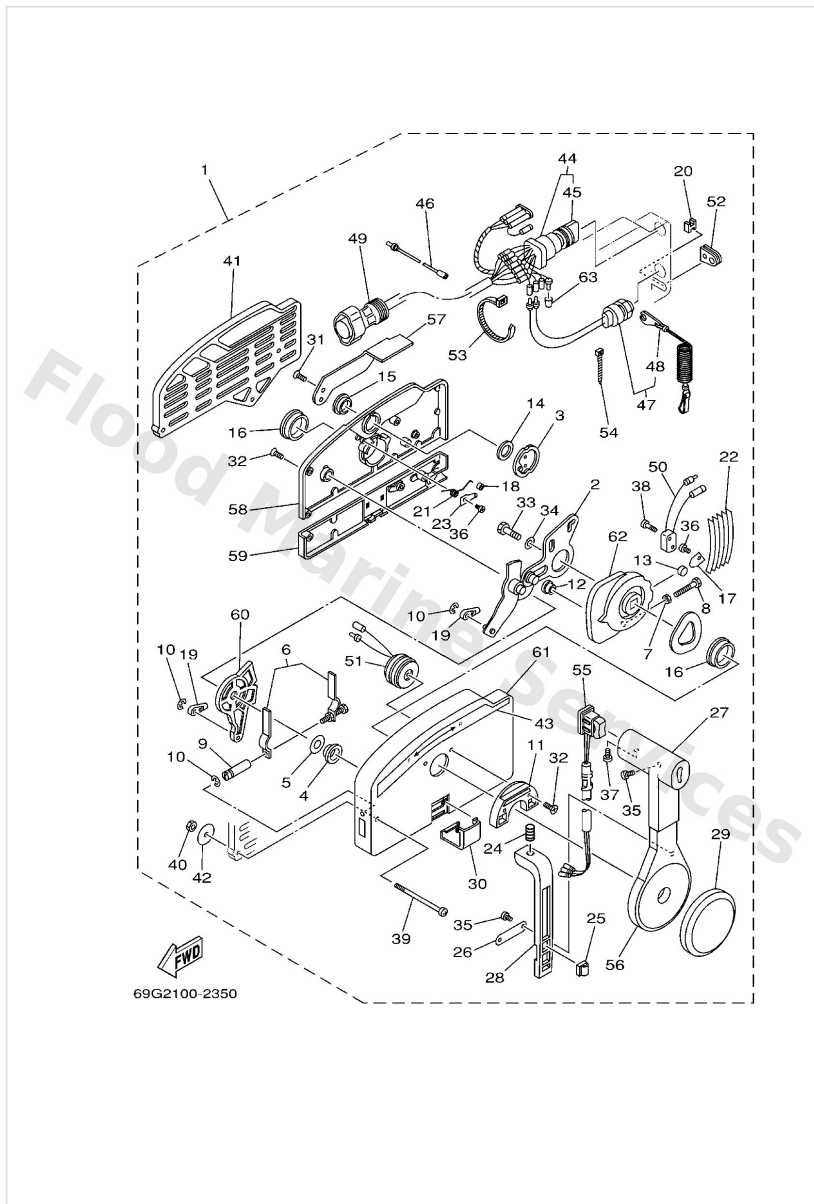
Ref	Part	
15	<a href="#">7034824300</a> Bushing 3	<a href="#">Buy now</a>
16	<a href="#">7034823600</a> Bushing	<a href="#">Buy now</a>
17	<a href="#">7034818900</a> Retainer	<a href="#">Buy now</a>
18	<a href="#">7034823400</a> Roller, detent	<a href="#">Buy now</a>
19	<a href="#">7034834501</a> Cable end, remote control 2	<a href="#">Buy now</a>
20	<a href="#">7034835800</a> Anchor, cable	<a href="#">Buy now</a>
21	<a href="#">7034824400</a> Spring, free accel.	<a href="#">Buy now</a>
22	<a href="#">7034823800</a> Spring, detent	<a href="#">Buy now</a>
23	<a href="#">7034824600</a> Spacer 1	<a href="#">Buy now</a>
24	<a href="#">7034822700</a> Spring, neutral lock	<a href="#">Buy now</a>
25	<a href="#">7038259400</a> Clamp WITH PT/T SW.	<a href="#">Buy now</a>
26	<a href="#">7034822600</a> Plate, stopper	<a href="#">Buy now</a>
27	<a href="#">7034822200</a> Grip, control lever SINGLE	<a href="#">Buy now</a>
28	<a href="#">7034822300</a> Lock, neutral	<a href="#">Buy now</a>
29	<a href="#">7034822500</a> Cover	<a href="#">Buy now</a>

# Remote Control Assy



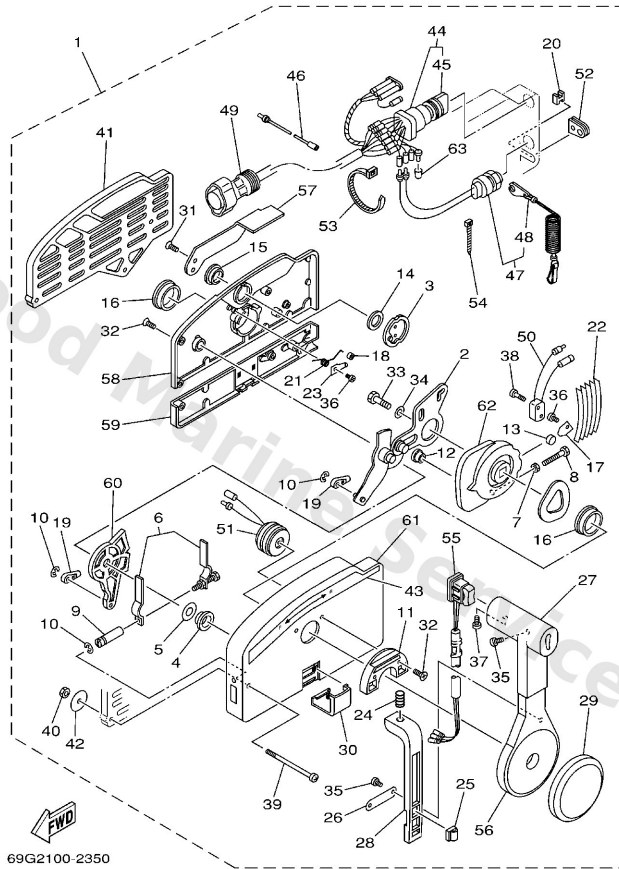
Ref	Part	
30	<a href="#">7034821900</a> Cover, lead	<a href="#">Buy now</a>
31	<a href="#">7034828100</a> Screw, flat head	<a href="#">Buy now</a>
32	<a href="#">7034828200</a> Screw	<a href="#">Buy now</a>
33	<a href="#">9738008030</a> Bolt, hexagon (fj1)	<a href="#">Buy now</a>
34	<a href="#">9299008600</a> Washer, plain (663)	<a href="#">Buy now</a>
35	<a href="#">9858004010</a> Screw, pan head (e56)	<a href="#">Buy now</a>
36	<a href="#">9858004006</a> Screw, pan head (7h3)	<a href="#">Buy now</a>
37	<a href="#">9858005010</a> Screw, pan head(62x)	<a href="#">Buy now</a>
38	<a href="#">9858003015</a> Screw, pan head (n151)	<a href="#">Buy now</a>
39	<a href="#">7034829110</a> Screw	<a href="#">Buy now</a>
40	<a href="#">9538006600</a> Nut(661)	<a href="#">Buy now</a>
41	<a href="#">7034829310</a> Spacer, remote control <b>SINGLE</b>	<a href="#">Buy now</a>
42	<a href="#">7014828700</a> Washer 1	<a href="#">Buy now</a>
43	<a href="#">7034821500</a> Graphic	<a href="#">Buy now</a>
44	<a href="#">7038251043</a> Main switch assembly	<a href="#">Buy now</a>

# Remote Control Assy



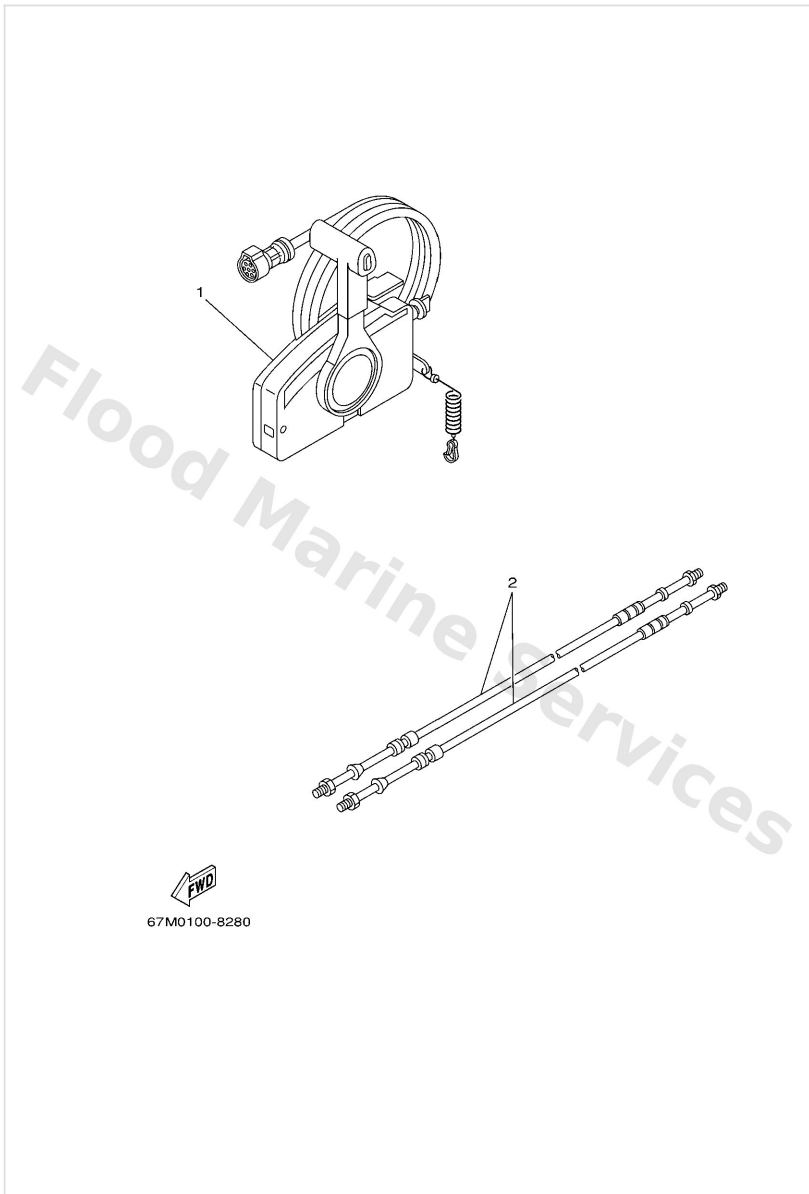
Ref	Part	
45	<a href="#">7038257700</a> Cap, key	<a href="#">Buy now</a>
46	<a href="#">7038253100</a> Wire, lead	<a href="#">Buy now</a>
47	<a href="#">6888257501</a> Engine stop switch assembly	<a href="#">Buy now</a>
48	<a href="#">6828255600</a> Lanyard, stop switch	<a href="#">Buy now</a>
49	<a href="#">6888258A20</a> 10p main harness mec 2m (6ft) (10P)	<a href="#">Buy now</a>
50	<a href="#">7038254000</a> Neutral switch assembly	<a href="#">Buy now</a>
51	<a href="#">7038338302</a> Buzzer	<a href="#">Buy now</a>
52	<a href="#">7034828400</a> Grommet	<a href="#">Buy now</a>
53	<a href="#">7038259100</a> Band	<a href="#">Buy now</a>
54	<a href="#">7038259200</a> Band	<a href="#">Buy now</a>
55	<a href="#">7034822400</a> Cover, control lever WITHOUT PT/T SW.	<a href="#">Buy now</a>
55	<a href="#">7038256302</a> Trim & tilt switch assembly WITH PT/T SW.	<a href="#">Buy now</a>
56	<a href="#">7034822100</a> Grip	<a href="#">Buy now</a>
57	<a href="#">7034815200</a> Knob, free accel	<a href="#">Buy now</a>
58	<a href="#">7034821200</a> Rear housing	<a href="#">Buy now</a>

# Remote Control Assy



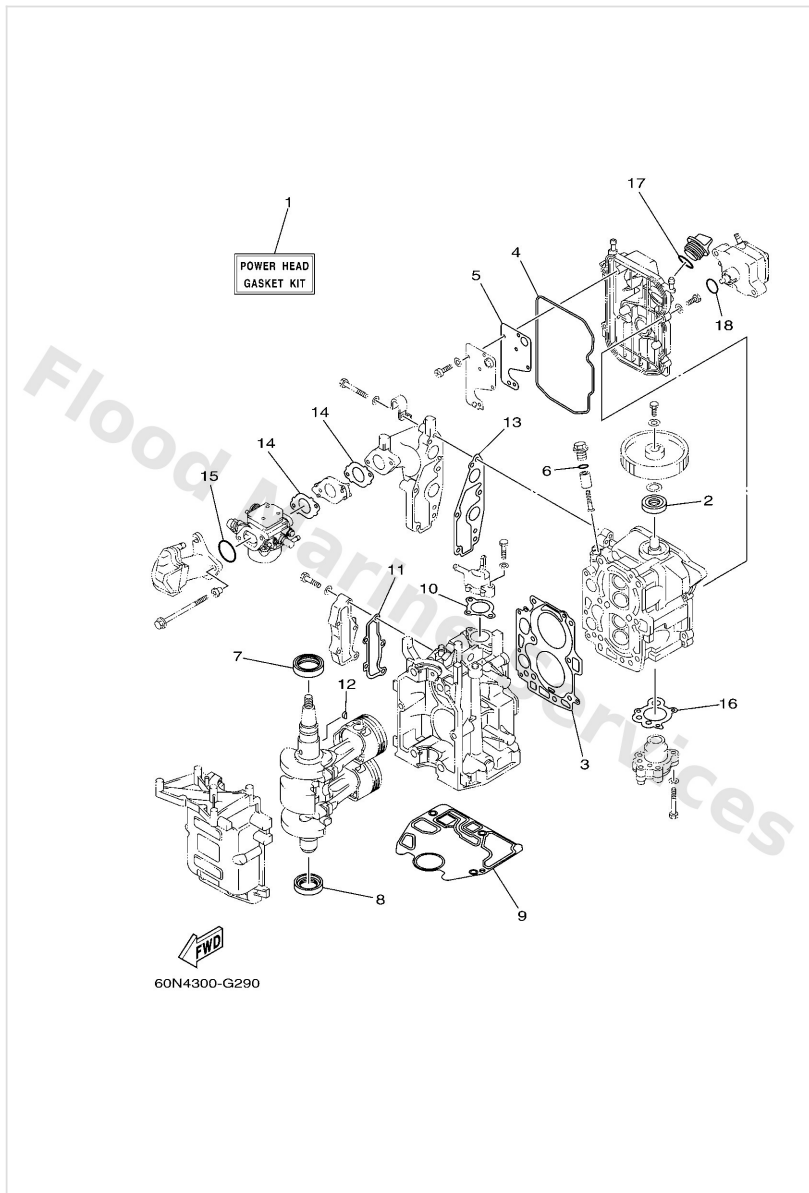
Ref	Part	
59	<a href="#">7034821300</a> Back, panel	<a href="#">Buy now</a>
60	<a href="#">7034827100</a> Arm, shift	<a href="#">Buy now</a>
61	<a href="#">7034821101</a> Housing,1	<a href="#">Buy now</a>
62	<a href="#">7034823200</a> Drive gear	<a href="#">Buy now</a>
63	<a href="#">7038254200</a> Cap FOR 703-48201-16	<a href="#">Buy now</a>

# Remote Control Box



Ref	Part	
1	<a href="#">7034820116</a> Remote control assembly (10p) AP WITHOUT PT/T SW.	<a href="#">Buy now</a>
1	<a href="#">7034820517</a> Remote control assembly (10p, ptt) AP WITH PT/T SW.	<a href="#">Buy now</a>
2	<a href="#">7014831080</a> Cable, Remote Control L=10F UR	<a href="#">Buy now</a>
2	<a href="#">7014831090</a> Cable, Remote Control L=11F UR	<a href="#">Buy now</a>
2	<a href="#">7014832000</a> Cable, Remote Control L=12F UR	<a href="#">Buy now</a>

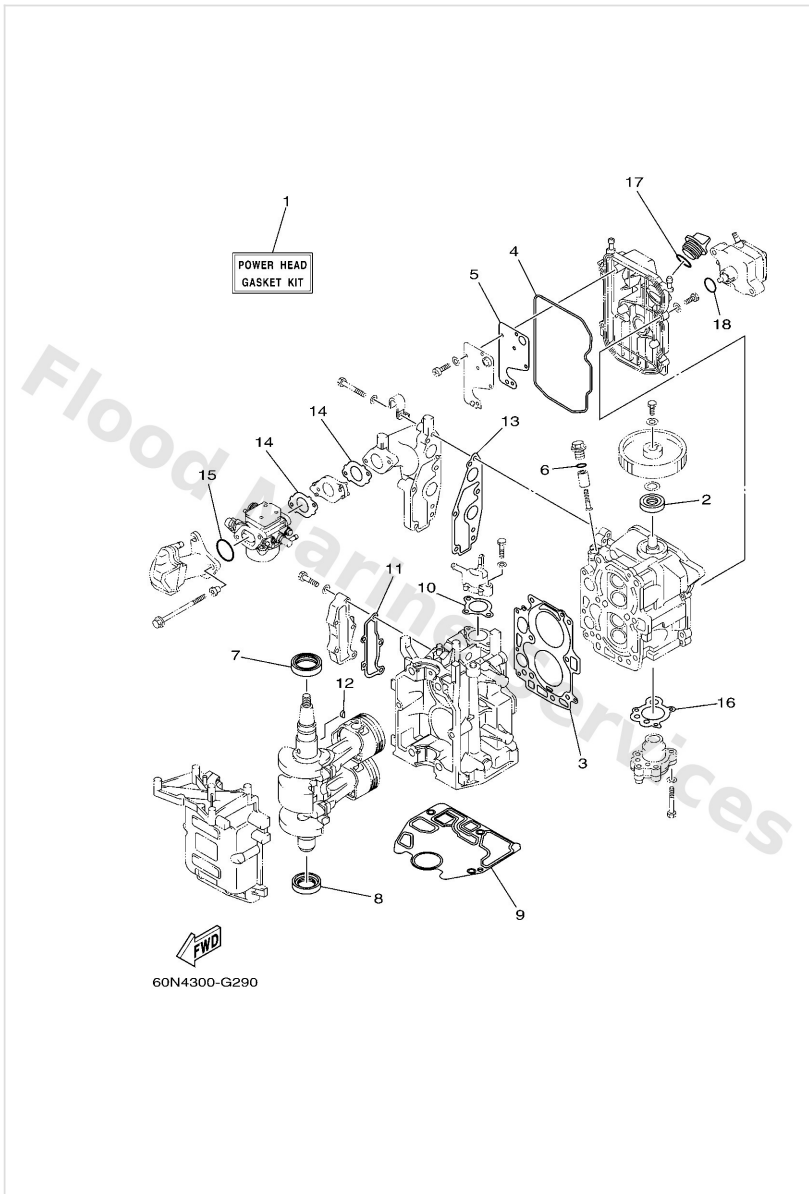
# Repair Kit 1



Ref	Part	
1	<a href="#">68TW000100</a> Power head gasket kit	<a href="#">Buy now</a>
2	<a href="#">9310218M21</a> Oil seal (6g8)	<a href="#">Buy now</a>
3	<a href="#">68T1118100</a> Gasket, cylinder head 1	<a href="#">Buy now</a>
4	<a href="#">68T1135600</a> Seal, cylinder 2	<a href="#">Buy now</a>
5	<a href="#">68T11169A0</a> Gasket, breather cover	<a href="#">Buy now</a>
6	<a href="#">9321013M63</a> O-ring (6g8)	<a href="#">Buy now</a>
7	<a href="#">9310230M22</a> Oil seal (6g8)	<a href="#">Buy now</a>
8	<a href="#">9310125M69</a> Oil seal	<a href="#">Buy now</a>
9	<a href="#">68T1135100</a> Gasket, cylinder	<a href="#">Buy now</a>
10	<a href="#">60RE2414A0</a> Gasket, cover	<a href="#">Buy now</a>
11	<a href="#">68T41114A0</a> Gasket, exhaust outer cover	<a href="#">Buy now</a>
12	<a href="#">9028003M01</a> Key woodruff 146115450000	<a href="#">Buy now</a>
13	<a href="#">68T1364500</a> Gasket, manifold 1	<a href="#">Buy now</a>
14	<a href="#">60RE3646A0</a> Gasket, manifold 2	<a href="#">Buy now</a>
15	<a href="#">9321031MJ5</a> O-ring	<a href="#">Buy now</a>

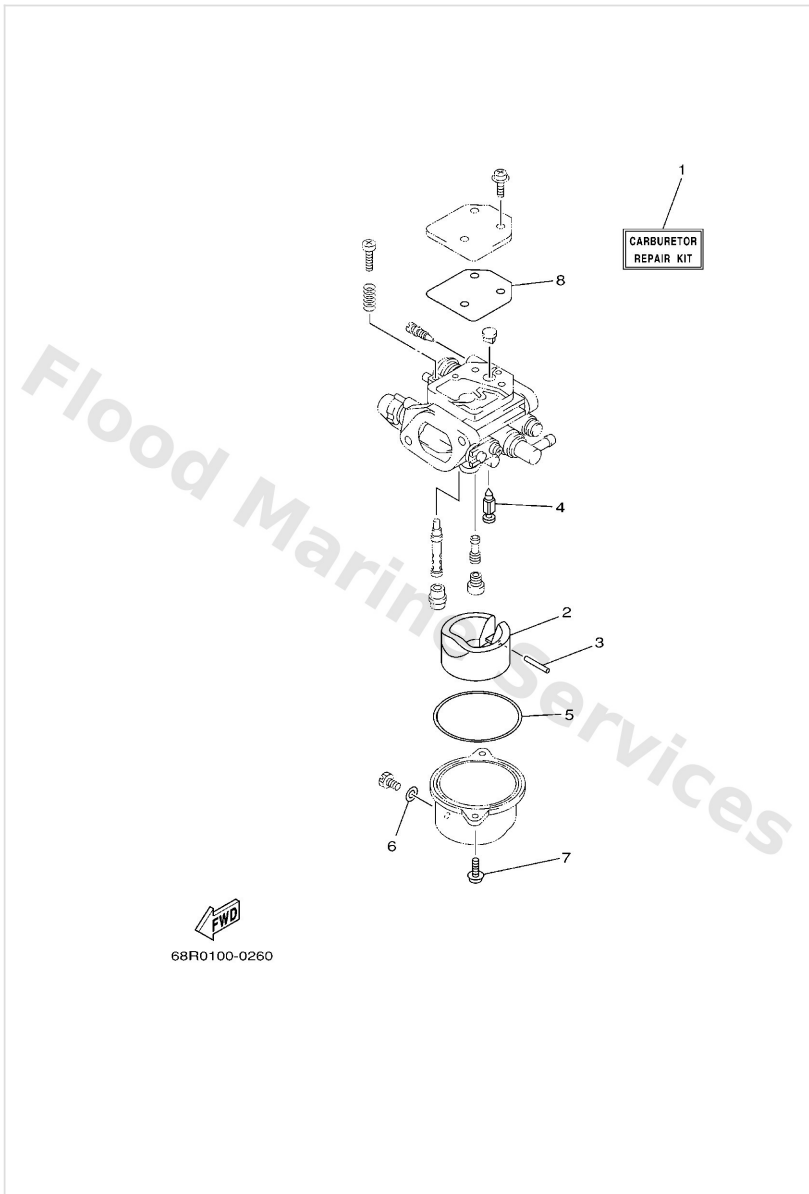


# Repair Kit 1



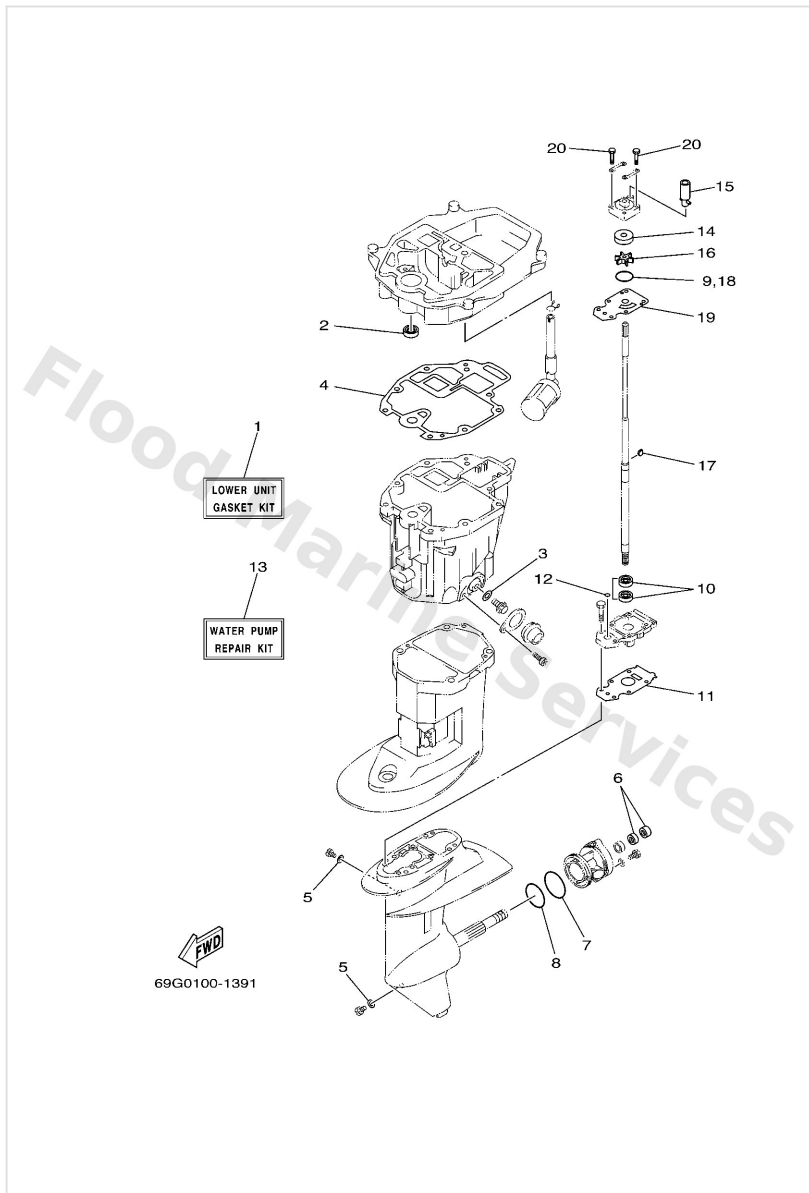
Ref	Part	
16	<a href="#">68T1332900</a> Gasket, pump cover	<a href="#">Buy now</a>
17	<a href="#">9321024M79</a> O-ring	<a href="#">Buy now</a>
18	<a href="#">9321020M65</a> O-ring	<a href="#">Buy now</a>

# Repair Kit 2



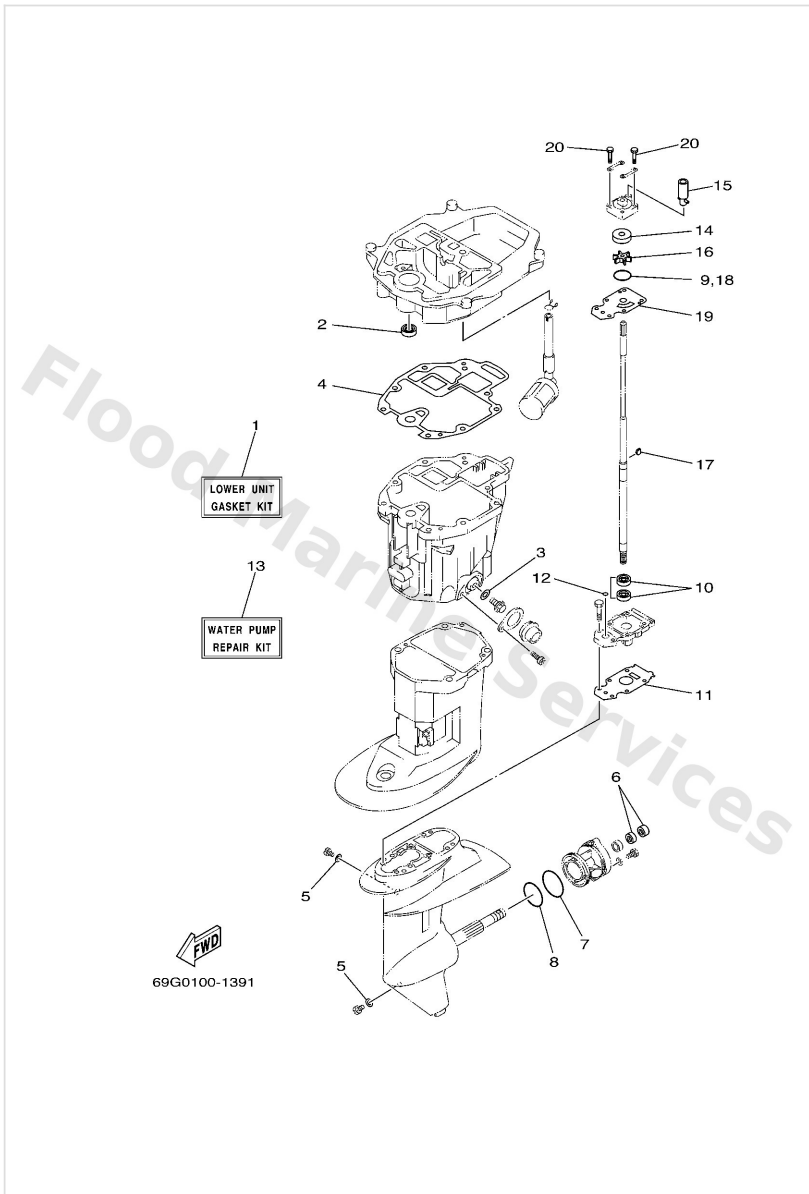
Ref	Part	
1	<a href="#">68TW009300</a> Carburetor repair kit	<a href="#">Buy now</a>
2	<a href="#">68T1438500</a> Float	<a href="#">Buy now</a>
3	<a href="#">67D1438600</a> Pin, float	<a href="#">Buy now</a>
4	<a href="#">68T1454600</a> Valve, needle	<a href="#">Buy now</a>
5	<a href="#">67D1498400</a> Gasket, float chamber	<a href="#">Buy now</a>
6	<a href="#">6J81495900</a> Gasket, drain screw	<a href="#">Buy now</a>
7	<a href="#">9798004112</a> Screw, pan head (686)	<a href="#">Buy now</a>
8	<a href="#">67D1453600</a> Gasket	<a href="#">Buy now</a>

# Repair Kit 3



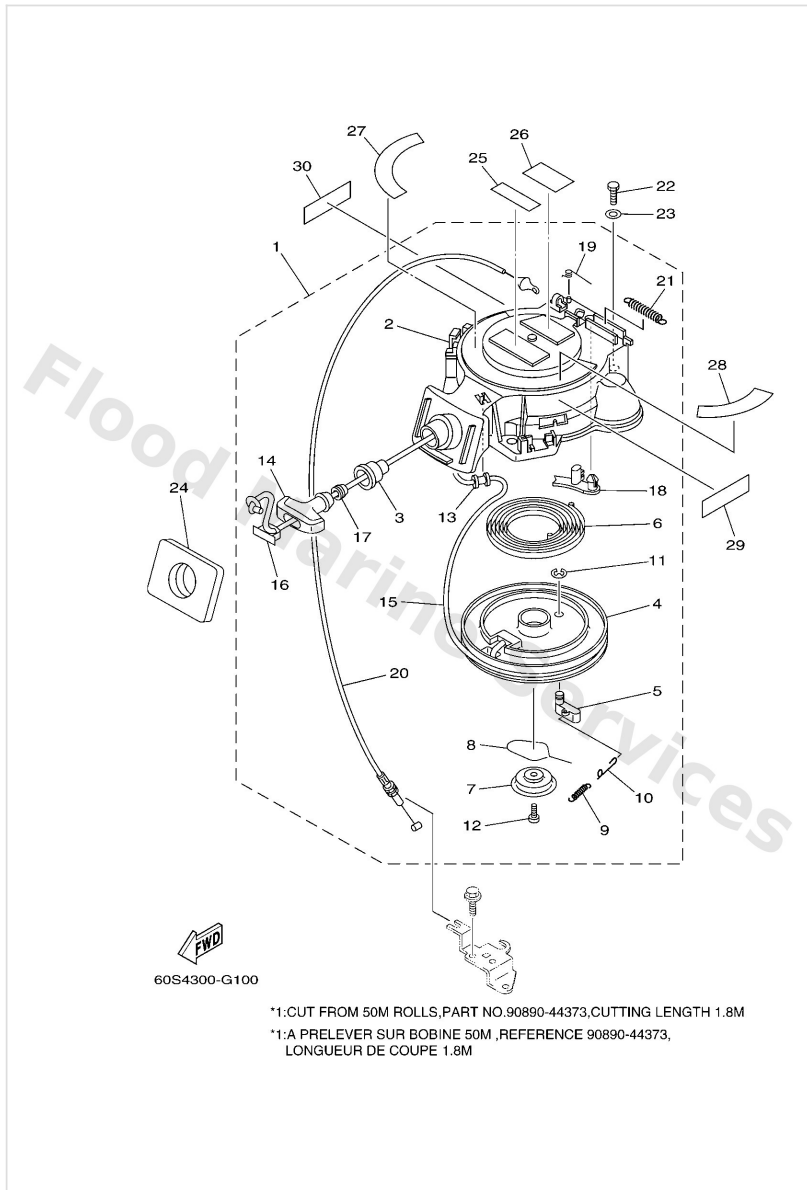
Ref	Part	
1	<a href="#">69GW000120</a> Lower unit gasket kit	<a href="#">Buy now</a>
2	<a href="#">9310112M70</a> Oil seal	<a href="#">Buy now</a>
3	<a href="#">9043010M11</a> Gasket	<a href="#">Buy now</a>
4	<a href="#">68T1347500</a> Gasket	<a href="#">Buy now</a>
5	<a href="#">9043008020</a> Gasket	<a href="#">Buy now</a>
6	<a href="#">9310117054</a> Oil seal (17x30x6-650)	<a href="#">Buy now</a>
7	<a href="#">9321074316</a> O-ring (1j7)	<a href="#">Buy now</a>
8	<a href="#">9321074M68</a> O-ring (6g8)	<a href="#">Buy now</a>
9	<a href="#">9321044398</a> O-ring(55x)	<a href="#">Buy now</a>
10	<a href="#">9310120048</a> Oil seal (20x30x6-648)	<a href="#">Buy now</a>
11	<a href="#">69G45315A0</a> Packing, lower casing	<a href="#">Buy now</a>
12	<a href="#">9321006ME6</a> O-ring	<a href="#">Buy now</a>
13	<a href="#">69GW007800</a> Water pump repair kit	<a href="#">Buy now</a>
14	<a href="#">63V4432200</a> Insert, cartridge	<a href="#">Buy now</a>
15	<a href="#">68T4436600</a> Damper, water seal 2	<a href="#">Buy now</a>

# Repair Kit 3



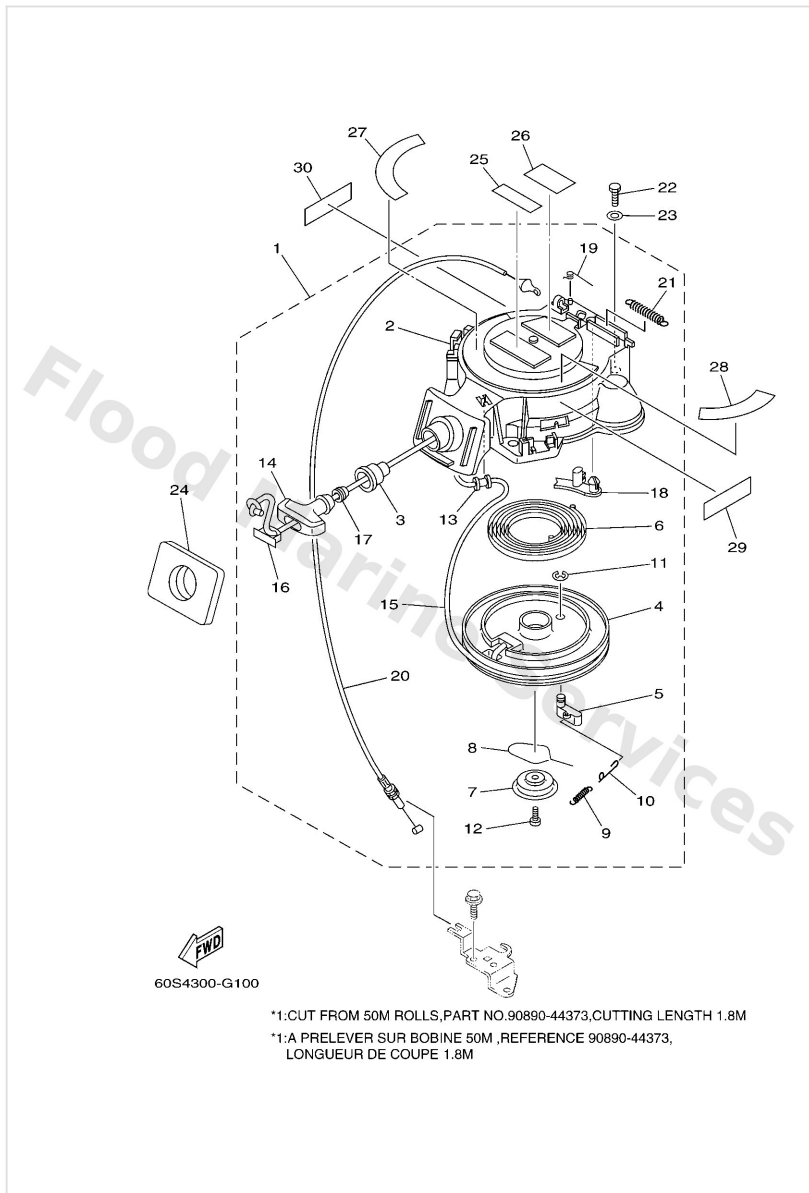
Ref	Part	
16	<a href="#">63V4435201</a> Impeller	<a href="#">Buy now</a>
17	<a href="#">6644433800</a> Key, woodruff	<a href="#">Buy now</a>
19	<a href="#">68T4432300</a> Outer plate, cartridge	<a href="#">Buy now</a>
20	<a href="#">9708008045</a> Bolt, hexagon	<a href="#">Buy now</a>

# Starter



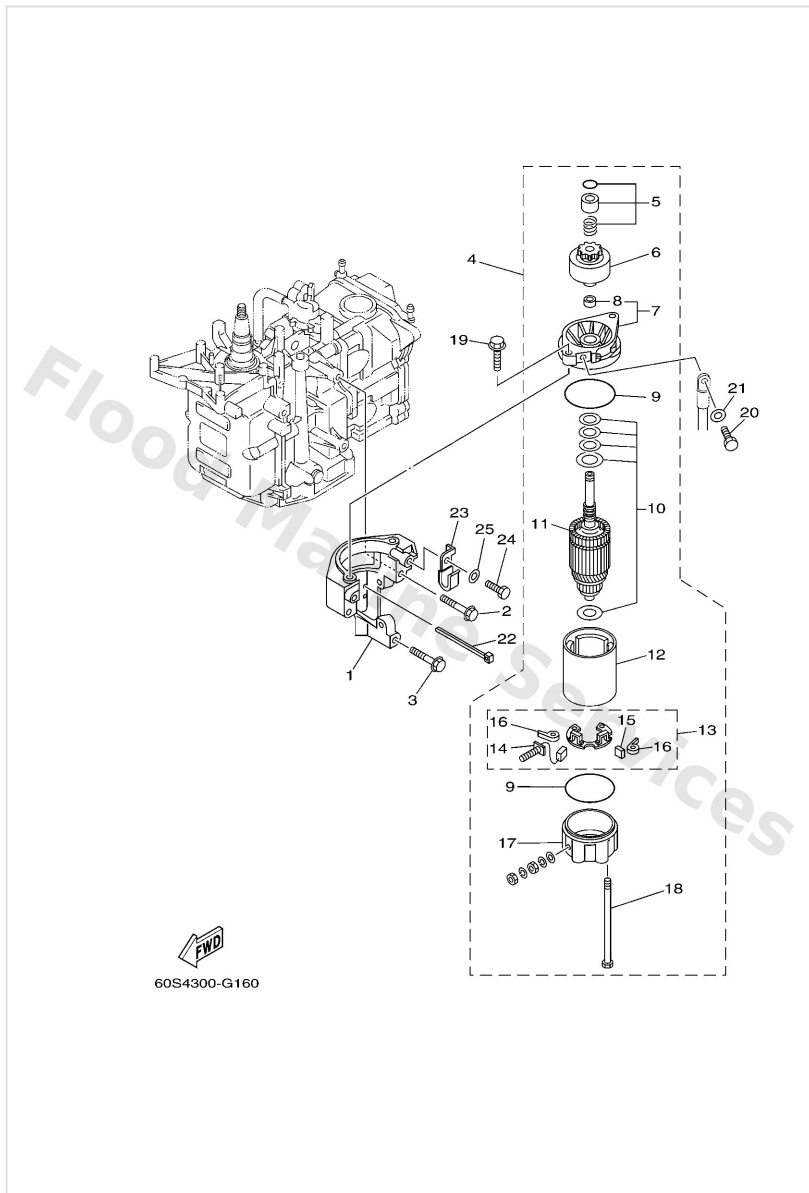
Ref	Part	
1	<a href="#">68T1571013</a> Starter assembly	<a href="#">Buy now</a>
2	<a href="#">68T1571103</a> Case, starter	<a href="#">Buy now</a>
3	<a href="#">68T1579500</a> Guide, rope	<a href="#">Buy now</a>
4	<a href="#">63V1571400</a> Drum, sheave	<a href="#">Buy now</a>
5	<a href="#">63V1574100</a> Pawl, drive	<a href="#">Buy now</a>
6	<a href="#">63V1571300</a> Spring, starter	<a href="#">Buy now</a>
7	<a href="#">68T1571600</a> Plate, drive	<a href="#">Buy now</a>
8	<a href="#">63V1570501</a> Spring, drive pawl	<a href="#">Buy now</a>
9	<a href="#">63V1576701</a> Spring	<a href="#">Buy now</a>
10	<a href="#">68T1578400</a> Spring, return	<a href="#">Buy now</a>
11	<a href="#">63V1574400</a> Circlip	<a href="#">Buy now</a>
12	<a href="#">68T1579300</a> Screw	<a href="#">Buy now</a>
13	<a href="#">68T1576400</a> Collar 1	<a href="#">Buy now</a>
14	<a href="#">6G11575500</a> Handle, starter	<a href="#">Buy now</a>
15	* item_description *1	<a href="#">Buy now</a>

# Starter



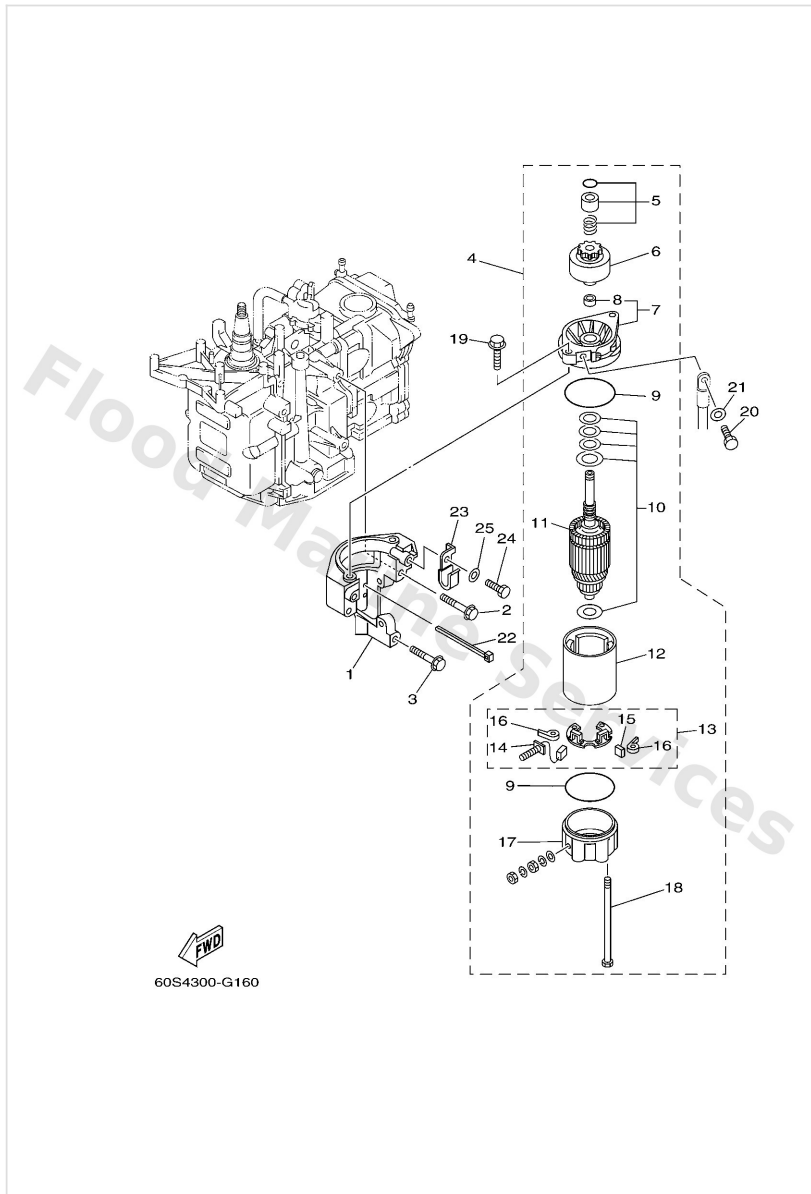
Ref	Part	
16	<a href="#">6G11577900</a> Cover	<a href="#">Buy now</a>
17	<a href="#">6A01578900</a> Damper	<a href="#">Buy now</a>
18	<a href="#">68T1579400</a> Stopper	<a href="#">Buy now</a>
19	<a href="#">66T1573400</a> Spring, return	<a href="#">Buy now</a>
20	<a href="#">68T1577000</a> Cable comp., starter stop	<a href="#">Buy now</a>
21	<a href="#">66T1573100</a> Retainer, spring	<a href="#">Buy now</a>
22	<a href="#">9709506020</a> Bolt(7u8)	<a href="#">Buy now</a>
23	<a href="#">9299506600</a> Washer, plain (646)	<a href="#">Buy now</a>
24	<a href="#">68T1576200</a> Seal, rubber 2	<a href="#">Buy now</a>
25	<a href="#">6AH8199540</a> Label, warning	<a href="#">Buy now</a>
26	<a href="#">6AH8199550</a> Label, warning	<a href="#">Buy now</a>
27	<a href="#">60RE343761</a> Mark caution nv/sav	<a href="#">Buy now</a>
28	<a href="#">60RH571160</a> Mark caution	<a href="#">Buy now</a>
29	<a href="#">6AH8199440</a> Label, safety	<a href="#">Buy now</a>
30	<a href="#">6AH8199450</a> Label, safety	<a href="#">Buy now</a>

# Starting Motor



Ref	Part	
1	<a href="#">68T818220194</a> Bracket, starting motor	<a href="#">Buy now</a>
2	<a href="#">9011908046</a> Bolt, with washer	<a href="#">Buy now</a>
3	<a href="#">9011908020</a> Bolt, with washer	<a href="#">Buy now</a>
4	<a href="#">68T8180000</a> Starting motor assembly	<a href="#">Buy now</a>
5	<a href="#">68T8185700</a> Pinion stopper set	<a href="#">Buy now</a>
6	<a href="#">6898180712</a> Pinion assembly	<a href="#">Buy now</a>
7	<a href="#">6F58183010</a> Front cover assembly	<a href="#">Buy now</a>
8	<a href="#">6898183100</a> Metal, front	<a href="#">Buy now</a>
9	<a href="#">6898184711</a> O-ring	<a href="#">Buy now</a>
10	<a href="#">6898180911</a> Washer kit	<a href="#">Buy now</a>
11	<a href="#">6898185011</a> Armature assembly	<a href="#">Buy now</a>
12	<a href="#">6898181011</a> Stator ass'y	<a href="#">Buy now</a>
13	<a href="#">6898184011</a> Brush holder assembly	<a href="#">Buy now</a>
14	<a href="#">6898181111</a> Brush 1	<a href="#">Buy now</a>
15	<a href="#">6898181211</a> Brush 2	<a href="#">Buy now</a>

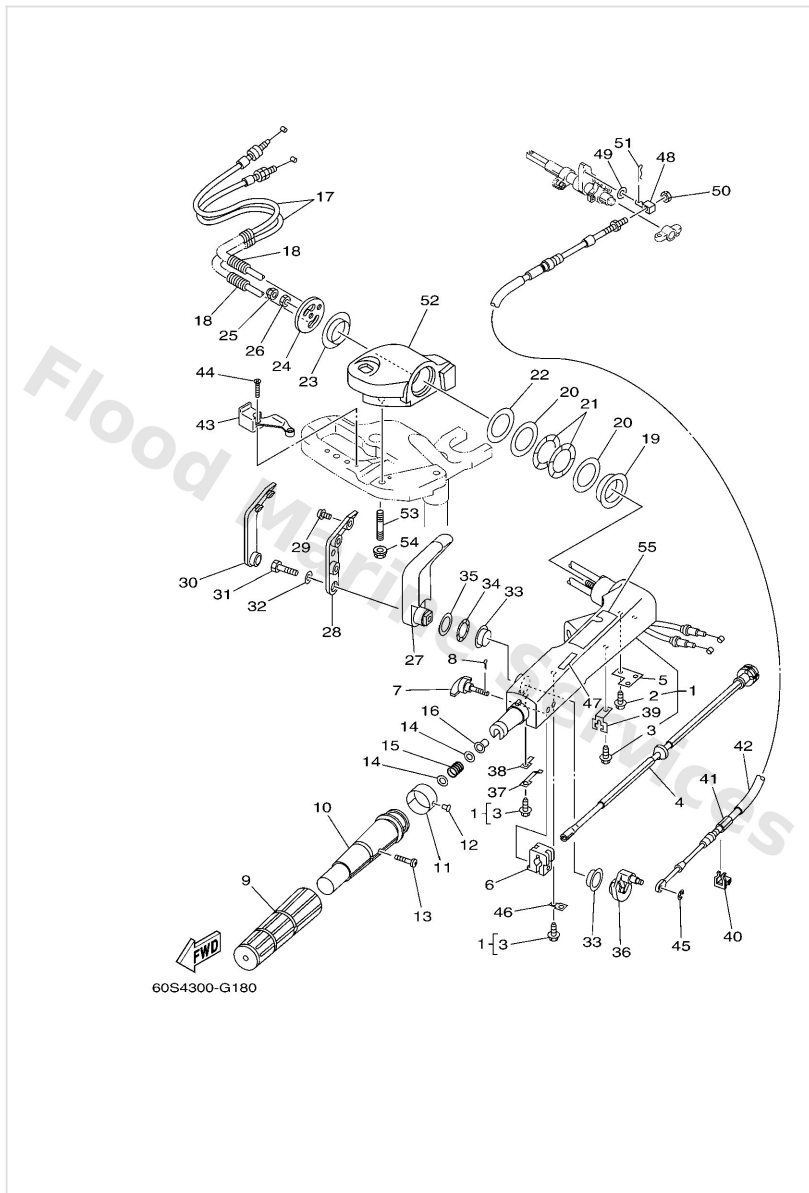
# Starting Motor



Ref	Part	
16	<a href="#">6898181310</a> Spring, brush	<a href="#">Buy now</a>
17	<a href="#">6898182011</a> Rear cover ass'y	<a href="#">Buy now</a>
18	<a href="#">6898182610</a> Bolt	<a href="#">Buy now</a>
19	<a href="#">9011908M76</a> Bolt, with washer(6e5)	<a href="#">Buy now</a>
20	<a href="#">9709508016</a> Bolt, hexagon deep recess	<a href="#">Buy now</a>
21	<a href="#">9299508600</a> Washer, plain (663)	<a href="#">Buy now</a>
22	<a href="#">9046511M10</a> Clamp	<a href="#">Buy now</a>
23	<a href="#">9046508M99</a> Clamp	<a href="#">Buy now</a>
24	<a href="#">9709506012</a> Bolt(gh1)	<a href="#">Buy now</a>
25	<a href="#">9299506600</a> Washer, plain (646)	<a href="#">Buy now</a>

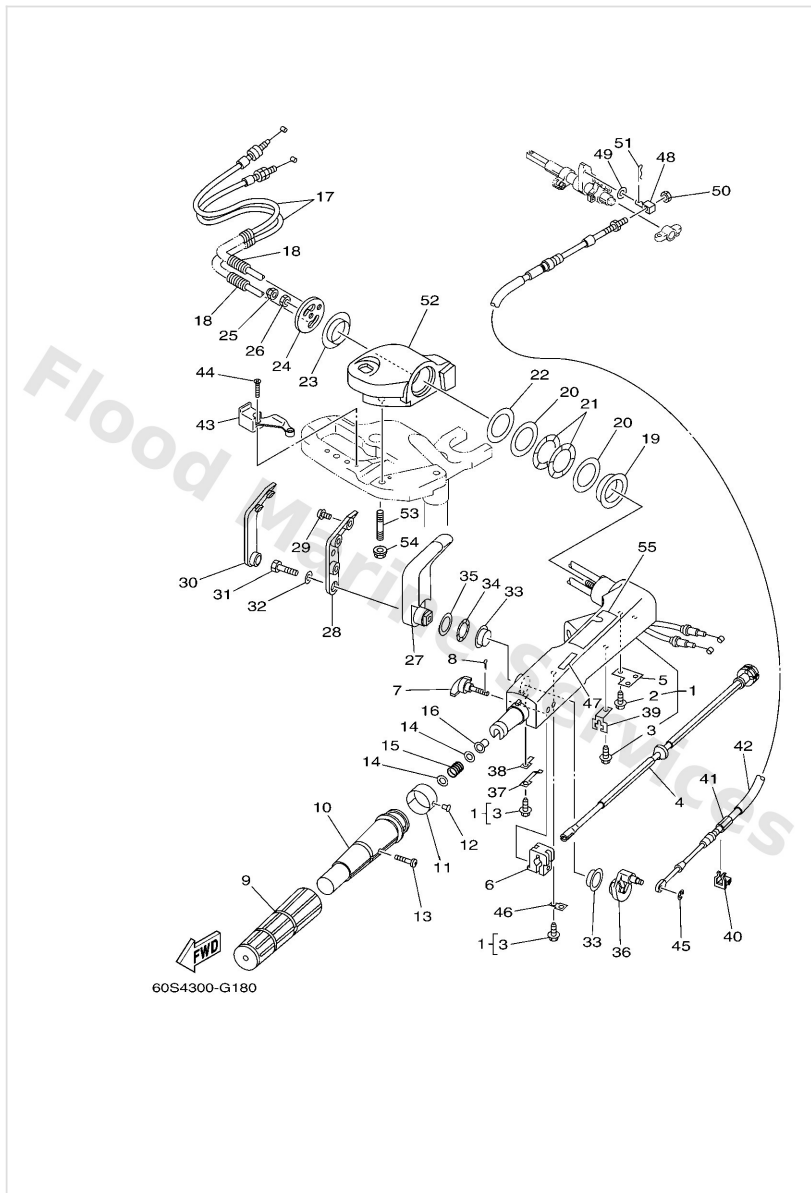


# Steering



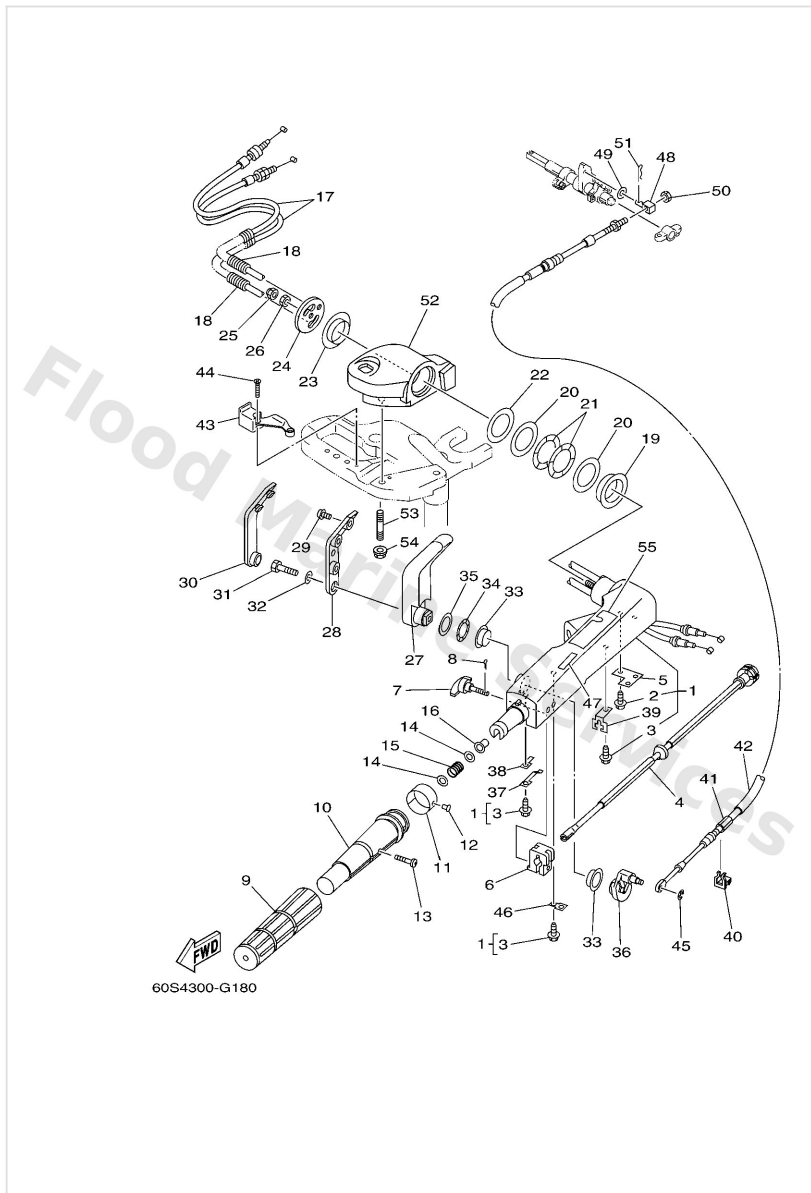
Ref	Part	
1	<a href="#">60RG2101004D</a> Strg. handle assembly 1	<a href="#">Buy now</a>
2	<a href="#">9010906M86</a> Bolt	<a href="#">Buy now</a>
3	<a href="#">9010906M80</a> Bolt	<a href="#">Buy now</a>
4	<a href="#">69G4213800</a> Lever, throttle	<a href="#">Buy now</a>
5	<a href="#">65W4215900</a> Stay	<a href="#">Buy now</a>
6	<a href="#">6G14212600</a> Piece, friction	<a href="#">Buy now</a>
7	<a href="#">65W4212500</a> Bolt, friction adjusting	<a href="#">Buy now</a>
8	<a href="#">9149016010</a> Pin, cotter	<a href="#">Buy now</a>
9	<a href="#">68DG217710</a> Rubber, handle	<a href="#">Buy now</a>
10	<a href="#">68DG211901</a> Grip, steering han	<a href="#">Buy now</a>
11	<a href="#">60RG213700</a> Indicator throttle	<a href="#">Buy now</a>
12	<a href="#">9026902M09</a> Rivet(6I5)	<a href="#">Buy now</a>
13	<a href="#">9014905M13</a> Screw, countersunk	<a href="#">Buy now</a>
14	<a href="#">9020110M02</a> Washer, plate(6g9)	<a href="#">Buy now</a>
15	<a href="#">9050123800</a> Spring (655)	<a href="#">Buy now</a>

# Steering



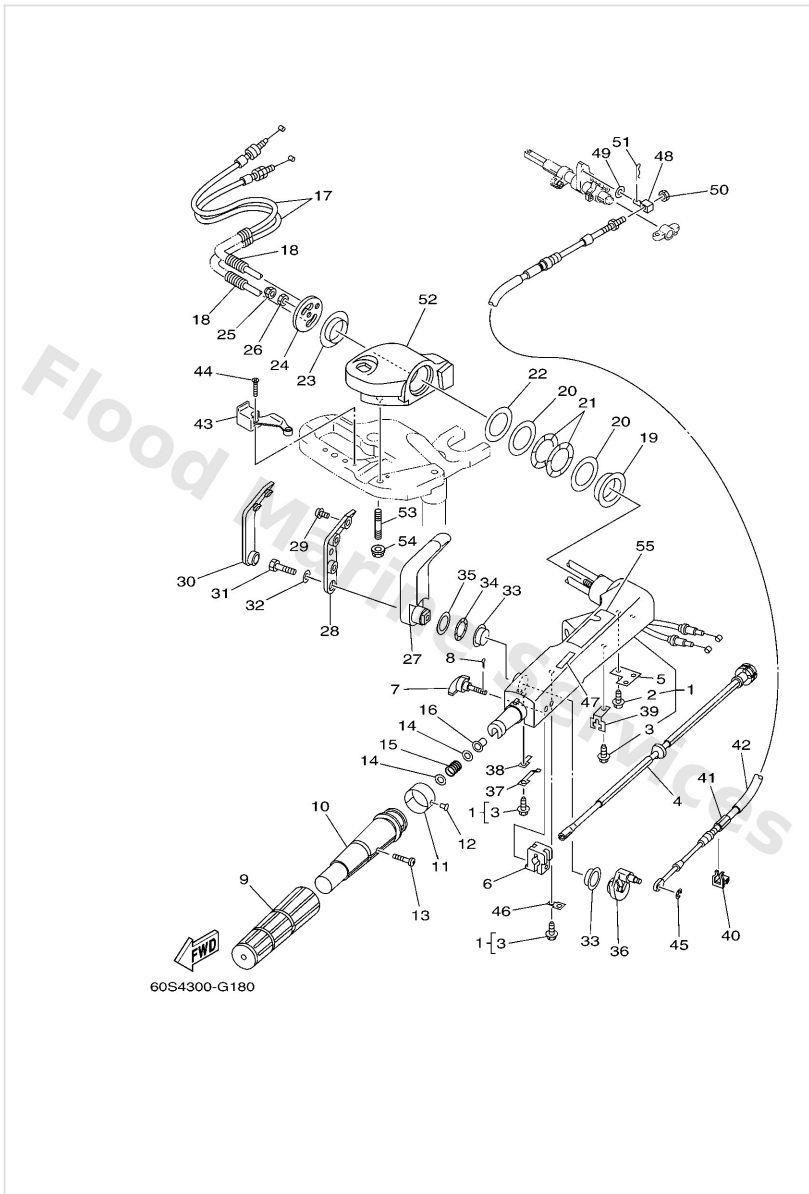
Ref	Part	
16	<a href="#">9038608032</a> Bushing (650)	<a href="#">Buy now</a>
17	<a href="#">60RF630110</a> Throttle cable assembly	<a href="#">Buy now</a>
18	<a href="#">9044707005</a> Hose, with spring	<a href="#">Buy now</a>
19	<a href="#">66R4217100</a> Bushing	<a href="#">Buy now</a>
20	<a href="#">9020143M00</a> Washer, plate	<a href="#">Buy now</a>
21	<a href="#">9020643M22</a> Washer, wave	<a href="#">Buy now</a>
22	<a href="#">9020243M57</a> Washer, plate	<a href="#">Buy now</a>
23	<a href="#">9038640M99</a> Bush	<a href="#">Buy now</a>
24	<a href="#">66M4213101</a> Cover, handle steering	<a href="#">Buy now</a>
25	<a href="#">9578010300</a> Nut, nylon (6e5)	<a href="#">Buy now</a>
26	<a href="#">9538010700</a> Nut (682)	<a href="#">Buy now</a>
27	<a href="#">66R44111004D</a> Handle, gear shift	<a href="#">Buy now</a>
28	<a href="#">66R4417300</a> Lever, shift control	<a href="#">Buy now</a>
29	<a href="#">9015906M18</a> Screw, with washer(6b0)	<a href="#">Buy now</a>
30	<a href="#">66R4212900</a> Bushing, rubber	<a href="#">Buy now</a>

# Steering



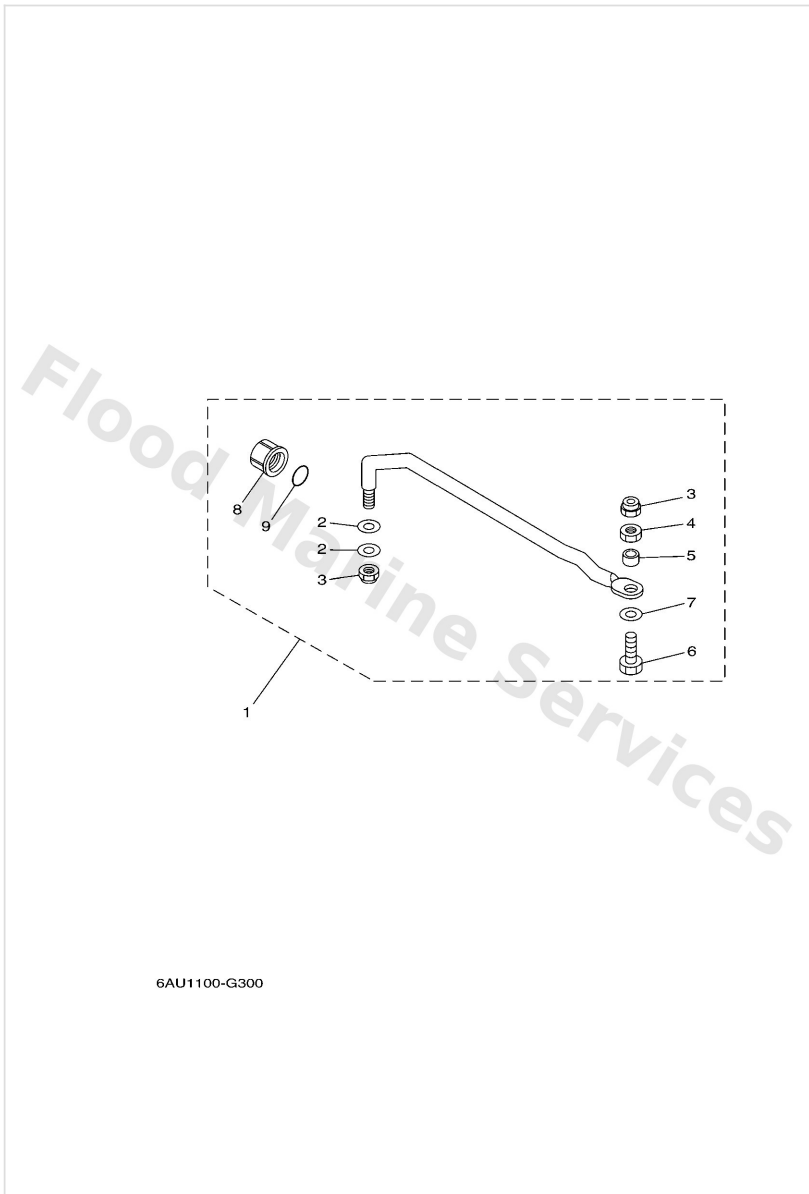
Ref	Part	
31	<a href="#">9709508030</a> Bolt, hexagon (fj1)	<a href="#">Buy now</a>
32	<a href="#">9299508600</a> Washer, plain (663)	<a href="#">Buy now</a>
33	<a href="#">9038626MA3</a> Bush	<a href="#">Buy now</a>
34	<a href="#">9020626M25</a> Washer, wave	<a href="#">Buy now</a>
35	<a href="#">9020226M59</a> Washer, plate	<a href="#">Buy now</a>
36	<a href="#">68T4411301</a> Cam plate, handle	<a href="#">Buy now</a>
37	<a href="#">66R4411600</a> Spring	<a href="#">Buy now</a>
38	<a href="#">66R4411800</a> Bracket	<a href="#">Buy now</a>
39	<a href="#">66R4853800</a> Clamp, cable 1	<a href="#">Buy now</a>
40	<a href="#">63D4853800</a> Clamp, cable 1	<a href="#">Buy now</a>
41	<a href="#">68T4832101</a> Cable	<a href="#">Buy now</a>
42	<a href="#">9044615002</a> Hose	<a href="#">Buy now</a>
43	<a href="#">68T8259410</a> Clamp	<a href="#">Buy now</a>
44	<a href="#">9015105003</a> Screw, countersunk	<a href="#">Buy now</a>
45	<a href="#">9908004600</a> Circlip (eu0)	<a href="#">Buy now</a>

# Steering



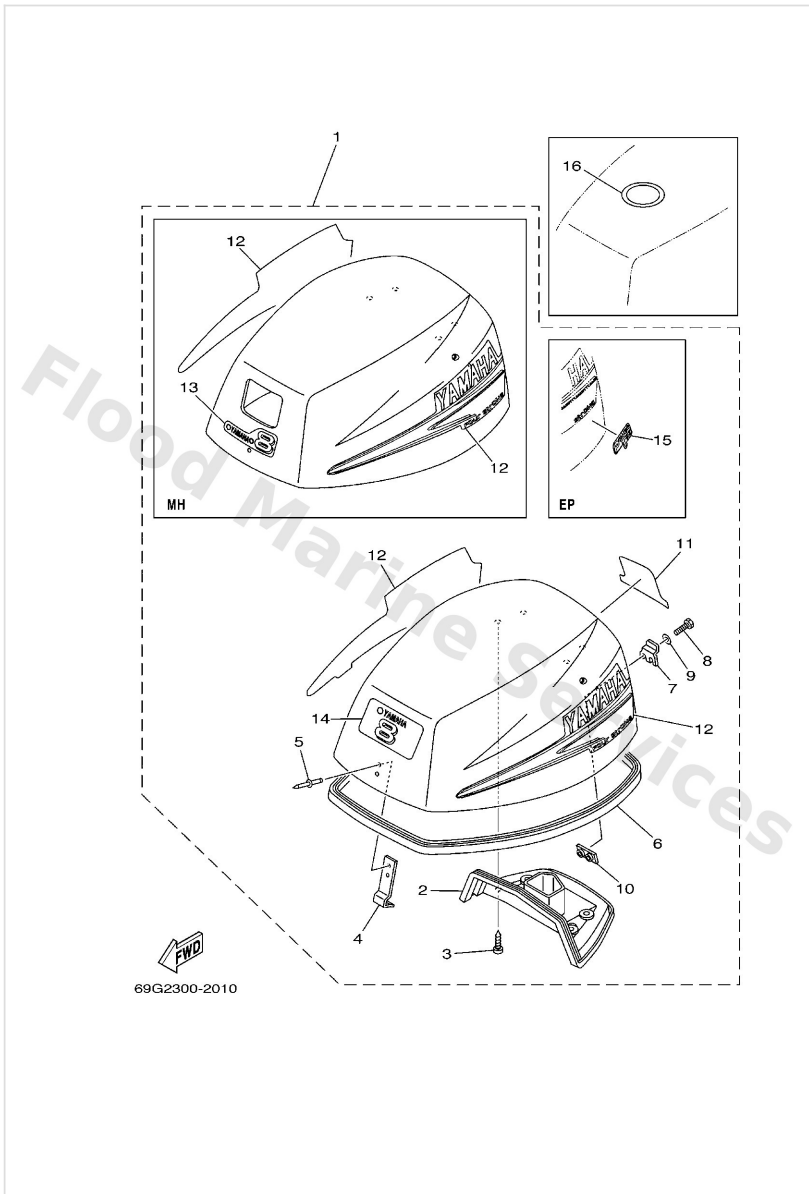
Ref	Part	
46	<a href="#">66R4411400</a> Stopper	<a href="#">Buy now</a>
47	<a href="#">60RG419100</a> Indicator, shift	<a href="#">Buy now</a>
48	<a href="#">66R4834400</a> Cable end, remote control	<a href="#">Buy now</a>
49	<a href="#">9020106M62</a> Washer, plate (6e5)	<a href="#">Buy now</a>
50	<a href="#">9017005M38</a> Nut	<a href="#">Buy now</a>
51	<a href="#">9149020012</a> Pin, cotter (648)	<a href="#">Buy now</a>
52	<a href="#">60RG2121104D</a> Bracket	<a href="#">Buy now</a>
53	<a href="#">9011610040</a> Bolt, stud	<a href="#">Buy now</a>
54	<a href="#">9017910M33</a> Nut	<a href="#">Buy now</a>
55	<a href="#">60RE571Y60</a> -	<a href="#">Buy now</a>

# Steering Guide



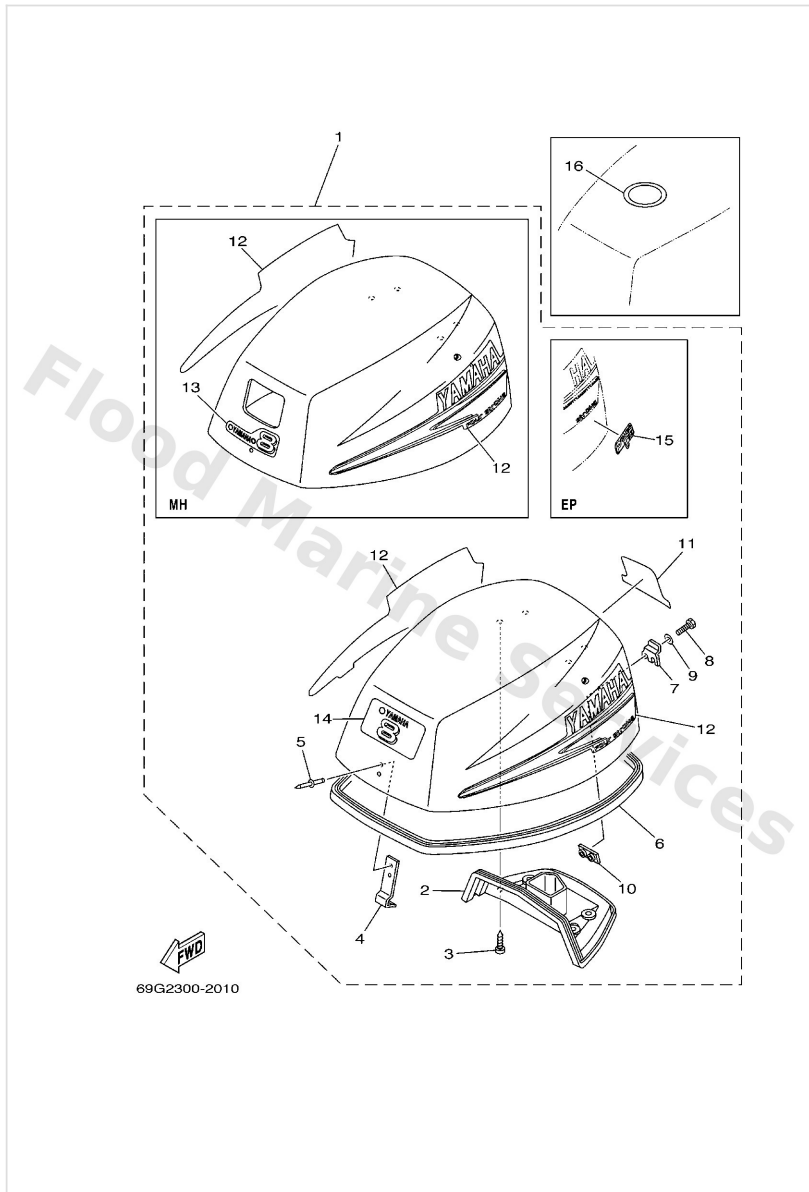
Ref	Part	
1	<a href="#">68T6135010</a> Steering guide attachment kit AP	<a href="#">Buy now</a>
2	<a href="#">9020110M20</a> Washer, plate (663)	<a href="#">Buy now</a>
3	<a href="#">9018509M01</a> Nut, nylon (663)	<a href="#">Buy now</a>
4	<a href="#">9017009M03</a> Nut (689)	<a href="#">Buy now</a>
5	<a href="#">9038710M42</a> Coller (688)	<a href="#">Buy now</a>
6	<a href="#">6E56135500</a> Bolt	<a href="#">Buy now</a>
7	<a href="#">9020110M63</a> Washer, plate	<a href="#">Buy now</a>
8	<a href="#">6E54314501</a> Cap, clamp bracket	<a href="#">Buy now</a>
9	<a href="#">9321016275</a> O-ring	<a href="#">Buy now</a>

# Top Cowling



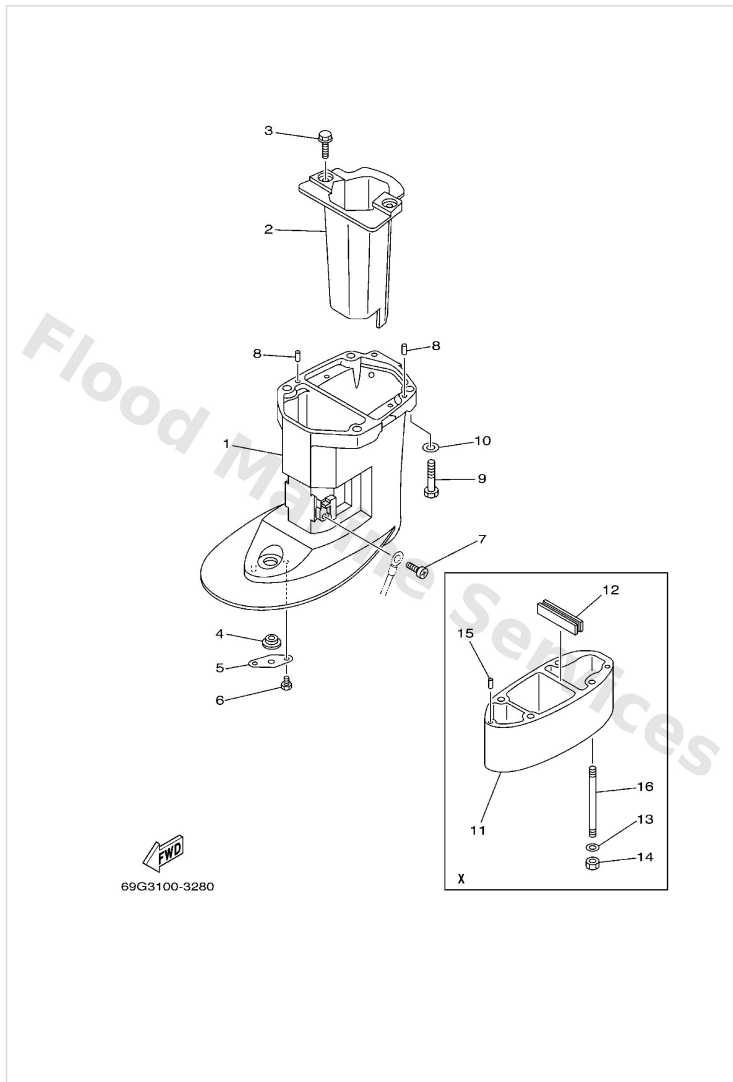
Ref	Part	
1	<a href="#">60SG2610004D</a> Top Cowling assembly	<a href="#">Buy now</a>
1	<a href="#">60SG2610104D</a> Top Cowling Ass'y	<a href="#">Buy now</a>
1	<a href="#">60SG2610304D</a> Top Cowling assembly	<a href="#">Buy now</a>
2	<a href="#">60RG261300</a> Molding Air Duct	<a href="#">Buy now</a>
3	<a href="#">9778060516</a> Screw, panhead tapping (j20)	<a href="#">Buy now</a>
4	<a href="#">6G14265102</a> Hook	<a href="#">Buy now</a>
5	<a href="#">9026604M04</a> Rivet(6e7)	<a href="#">Buy now</a>
6	<a href="#">60R4261500</a> Seal	<a href="#">Buy now</a>
7	<a href="#">60R4265200</a> Hook	<a href="#">Buy now</a>
8	<a href="#">9709505014</a> Bolt, w/ plain	<a href="#">Buy now</a>
9	<a href="#">9299505600</a> Washer, plain (646)	<a href="#">Buy now</a>
10	<a href="#">68T4264900</a> Holder, clamp band	<a href="#">Buy now</a>
11	<a href="#">69G4267820</a> Graphic, rear	<a href="#">Buy now</a>
12	<a href="#">68TW007020</a> Graphic Set	<a href="#">Buy now</a>
12	<a href="#">68TW007060</a> Graphic set	<a href="#">Buy now</a>

# Top Cowling



Ref	Part	
13	<a href="#">68T4267700</a> Graphic, front	<a href="#">Buy now</a>
14	<a href="#">69G4268610</a> Emblem, Front	<a href="#">Buy now</a>
15	<a href="#">69A4267500</a> Graphic, side 1	<a href="#">Buy now</a>
16	<a href="#">60RE343400</a> Label, Caution	<a href="#">Buy now</a>

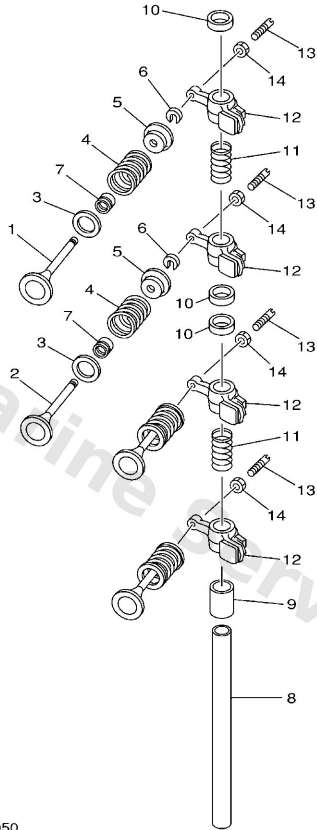
# Upper Casing



Ref	Part	
1	<a href="#">60RG5111104D</a> Casing, upper	<a href="#">Buy now</a>
2	<a href="#">60RE471100CA</a> Muffler 1	<a href="#">Buy now</a>
3	<a href="#">9757506514</a> Bolt, hexagon w/w deep recess	<a href="#">Buy now</a>
4	<a href="#">9048014M54</a> Grommet	<a href="#">Buy now</a>
5	<a href="#">68T4532100</a> Plate	<a href="#">Buy now</a>
6	<a href="#">9709506008</a> Bolt (fj1)	<a href="#">Buy now</a>
7	<a href="#">9788505008</a> Screw, pan head	<a href="#">Buy now</a>
15	<a href="#">9360412M07</a> Pin, dowel (688) X(24.6")	<a href="#">Buy now</a>
9	<a href="#">9707508035</a> Bolt(70w)	<a href="#">Buy now</a>
10	<a href="#">9299508600</a> Washer, plain (663)	<a href="#">Buy now</a>
11	<a href="#">60SG5211204D</a> Extension X(24.6")	<a href="#">Buy now</a>
12	<a href="#">63V4512700</a> Seal X(24.6")	<a href="#">Buy now</a>
13	<a href="#">9299008600</a> Washer, plain (663) X(24.6")	<a href="#">Buy now</a>
14	<a href="#">9538008600</a> Nut (661) X(24.6")	<a href="#">Buy now</a>
16	<a href="#">9011608M62</a> Bolt, stud X(24.6")	<a href="#">Buy now</a>



# Valve



  
68R0010-0050

Ref	Part	
1	<a href="#">67D1211100</a> Valve, intake	<a href="#">Buy now</a>
2	<a href="#">67D1212100</a> Valve, exhaust	<a href="#">Buy now</a>
3	<a href="#">68T1211600</a> Seat, valve spring	<a href="#">Buy now</a>
4	<a href="#">60R1211300</a> Spring, valve inne	<a href="#">Buy now</a>
5	<a href="#">7NJ1211700</a> Retainer, valve spring	<a href="#">Buy now</a>
6	<a href="#">7NJ1211800</a> Cotter, valve	<a href="#">Buy now</a>
7	<a href="#">51Y1211900</a> Seal, valve stem	<a href="#">Buy now</a>
8	<a href="#">68T1214600</a> Shaft, rocker	<a href="#">Buy now</a>
9	<a href="#">9038713M56</a> Collar (6g8)	<a href="#">Buy now</a>
10	<a href="#">9038714M03</a> Collar	<a href="#">Buy now</a>
11	<a href="#">9050112M40</a> Spring, compression (6g8)	<a href="#">Buy now</a>
12	<a href="#">68T1215100</a> Arm, valve rocker	<a href="#">Buy now</a>
13	<a href="#">6G81215900</a> Screw, valve adjusting	<a href="#">Buy now</a>
14	<a href="#">6G81215800</a> Nut, lock	<a href="#">Buy now</a>

# Disclaimer

This document is provided for convenience only. It is **not** an official Yamaha publication and is **not supplied, endorsed, or approved** by Yamaha Motor Co., Ltd.

Reasonable efforts are made to keep information accurate; however diagrams, part references, supersessions, descriptions, and applicability may contain errors or omissions. Specifications and part availability may change without notice.

You are responsible for confirming the correct parts for your engine (including model code, year, serial range, and any superseded part numbers) before ordering or fitting.