



Yamaha RIGGING - STEERING 2016

Parts Manual

www.floodmarine.co.uk

+44 2882 246 539

Authorised Yamaha Dealers

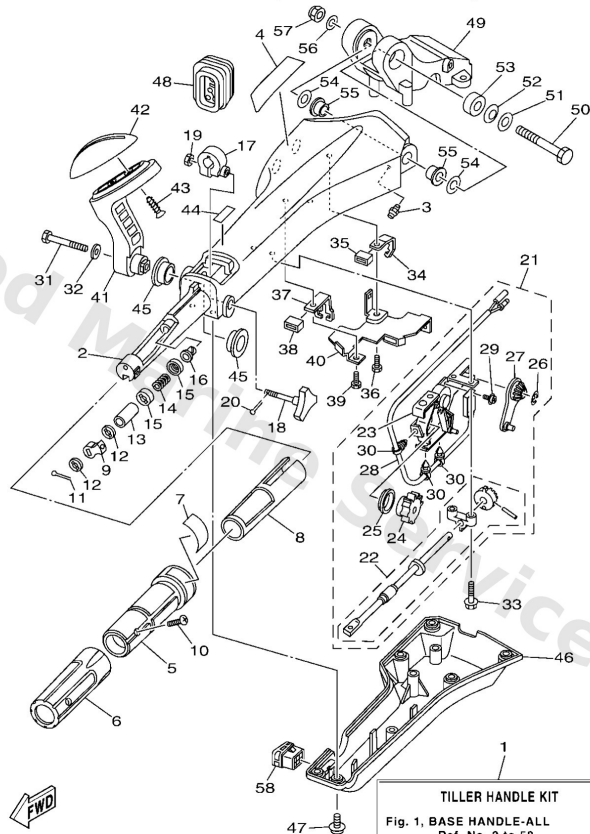


Contents

BASE HANDLE - ALL	3
BASE HANDLE ELECTRICAL 1	7
BASE HANDLE ELECTRICAL 2	8
FITTING KIT 1	10
FITTING KIT 2	11
FITTING KIT 3	13
FITTING KIT 4	14
FITTING KIT 5	15
STEERING FRICTION 1	17
STEERING FRICTION 10	19
STEERING FRICTION 2	21
STEERING FRICTION 3	23
STEERING FRICTION 4	25
STEERING FRICTION 5	27
STEERING FRICTION 6	28
STEERING FRICTION 7	30
STEERING FRICTION 8	32
STEERING FRICTION 9	33
TILLER HANDLE KIT 1	35
TILLER HANDLE KIT 2	39

Base Handle - All

6X4 TILLER HANDLE KIT (F30A,F30B-F130A)

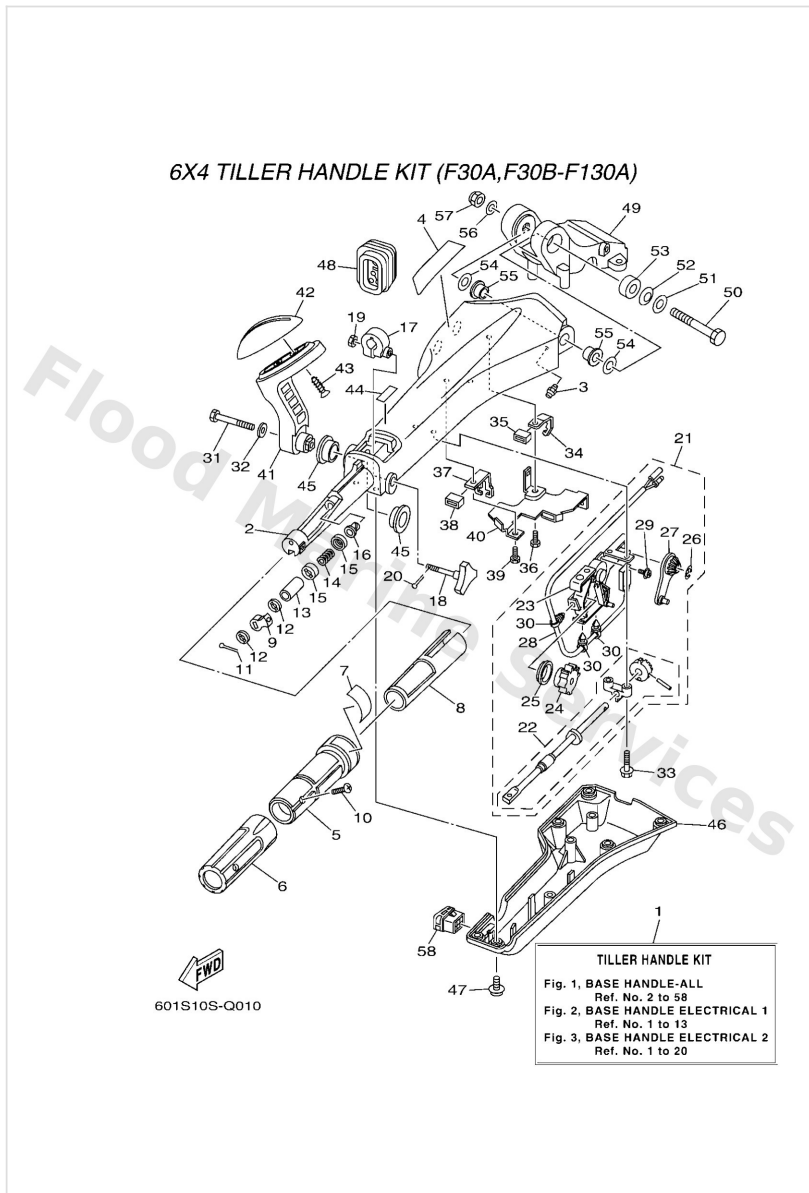


601S10S-Q010

TILLER HANDLE KIT
 Fig. 1, BASE HANDLE-ALL
 Ref. No. 2 to 58
 Fig. 2, BASE HANDLE ELECTRICAL 1
 Ref. No. 1 to 13
 Fig. 3, BASE HANDLE ELECTRICAL 2
 Ref. No. 1 to 20

Ref	Part	
1	6X44210355 - LM FOR US	Buy now
1	6X44210365 Handle main body (led/ycop) LM FOR EU & ANZ	Buy now
2	6X442111028D Handle, steering	Buy now
3	9370006M03 Nipple, grease(6a1)	Buy now
4	6X44821500 Graphic	Buy now
5	6X44211901 Grip, steering handle	Buy now
6	6X44217700 Rubber, handle	Buy now
7	6X44213700 Indicator, throttle	Buy now
8	6X44129100 Bushing	Buy now
9	6X44413901 Collar	Buy now
10	9015205007 Screw, countersunk	Buy now
11	9149020010 Pin, cotter	Buy now
12	6X44417700 Washer	Buy now
13	6X44212800 Collar, distance 1	Buy now
14	9050123215 Spring (655)	Buy now

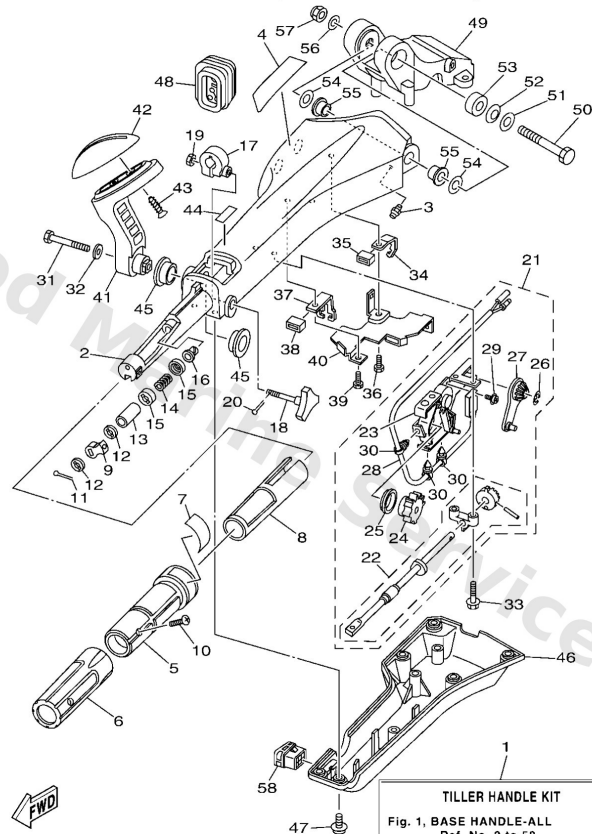
Base Handle - All



Ref	Part	
15	6X44418800 Washer	Buy now
16	9038608032 Bushing (650)	Buy now
17	63D4212600 Friction, steering handle grip	Buy now
18	6X44815400 Knob, throttle	Buy now
19	9538006600 Nut(661)	Buy now
21	6X44410001 Shift link assembly	Buy now
22	6X44211500 Shaft, steering handle	Buy now
23	6X44410200 Shift assist assembly.	Buy now
24	6X44773101 Gear, drive	Buy now
25	6X44413200 Bushing	Buy now
26	6X41413700 Clip	Buy now
27	6X44826100 Arm, throttle	Buy now
28	6X48254000 Neutral switch assembly	Buy now
29	7034812900 Screw 3	Buy now
30	6X44282100 Band, clamp	Buy now

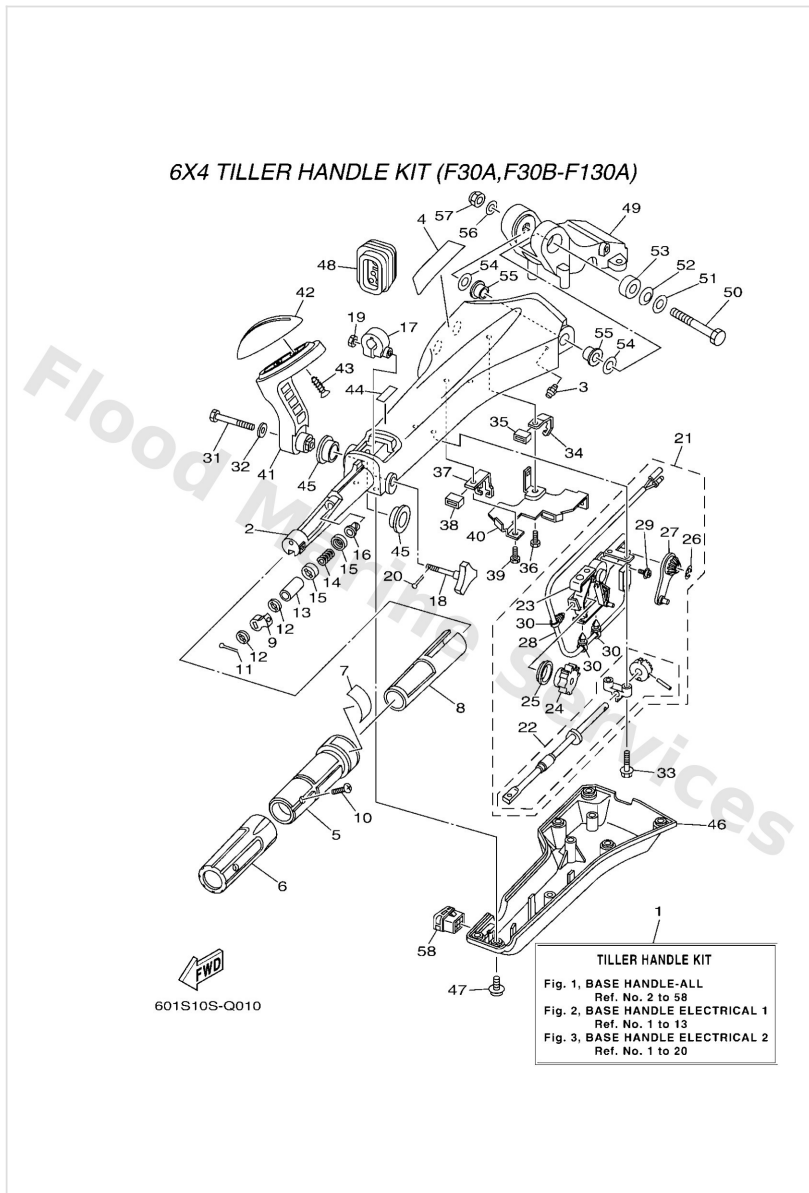
Base Handle - All

6X4 TILLER HANDLE KIT (F30A,F30B-F130A)



Ref	Part	
31	9709508040 Bolt, hexagon	Buy now
32	9299508600 Washer, plain (663)	Buy now
33	9759506530 Bolt, hexagon w/w deep recess	Buy now
34	6X44853800 Clamp, cable 1	Buy now
35	6X42636700 Protector	Buy now
36	9709506014 Bolt(gj3)	Buy now
37	6X44853810 Clamp, cable 1	Buy now
40	6X44215900 Stay	Buy now
41	6X444159008D Handle, gear shift	Buy now
42	6X44417300 Lever, shift control	Buy now
43	9778060920 Screw, tapping	Buy now
44	6G84419100 Indicator, shift	Buy now
45	9038626MA3 Bush	Buy now
46	6X44213101 Cover, handle steering FOR US	Buy now
46	6X44213111 Cover, handle steering FOR EU & ANZ	Buy now

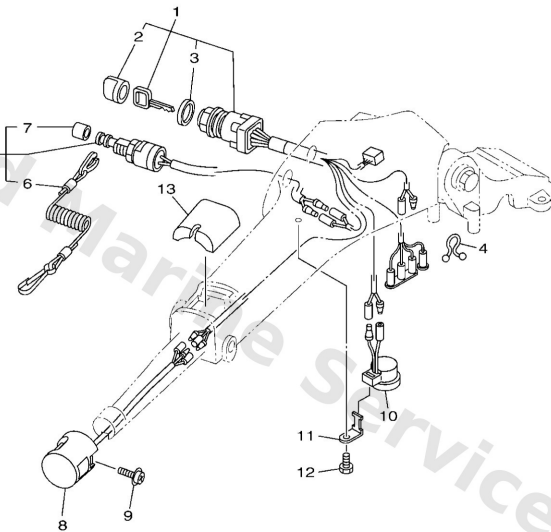
Base Handle - All



Ref	Part	
47	9798506216 Screw, with washer(6h2)	Buy now
48	6X44272501 Grommet	Buy now
49	63D42121228D Bracket	Buy now
50	9010112014 Bolt	Buy now
51	9299012200 Ybs66-12 washer,plain	Buy now
52	9020612M22 Washer, wave(6b0)	Buy now
53	9038712M02 Collar(6b0)	Buy now
54	9020112035 Washer, plate	Buy now
55	9038612003 Bush	Buy now
56	9299012600 Washer, plate(663)	Buy now
57	9018512M12 Nut, self-locking(6e5)	Buy now
58	6X44272810 Cap	Buy now

Base Handle Electrical 1

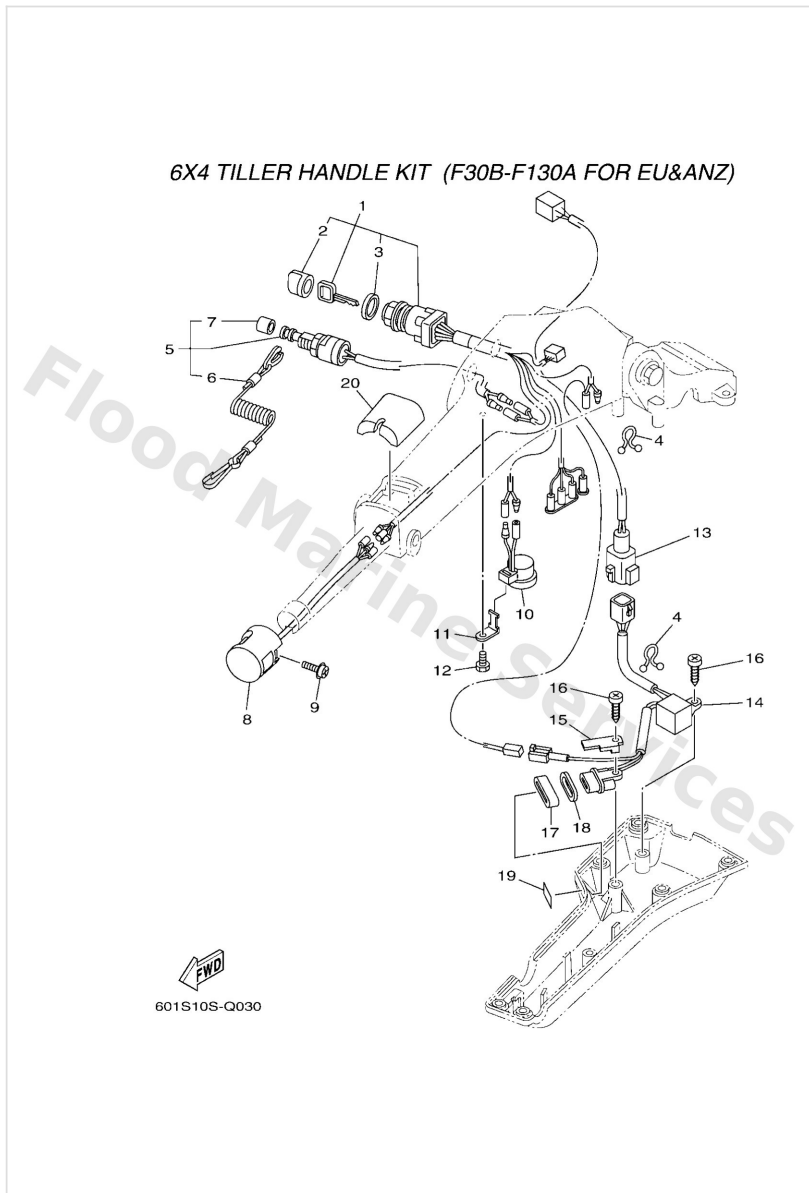
6X4 TILLER HANDLE KIT (F30A-F130A FOR US)




601S10S-Q020

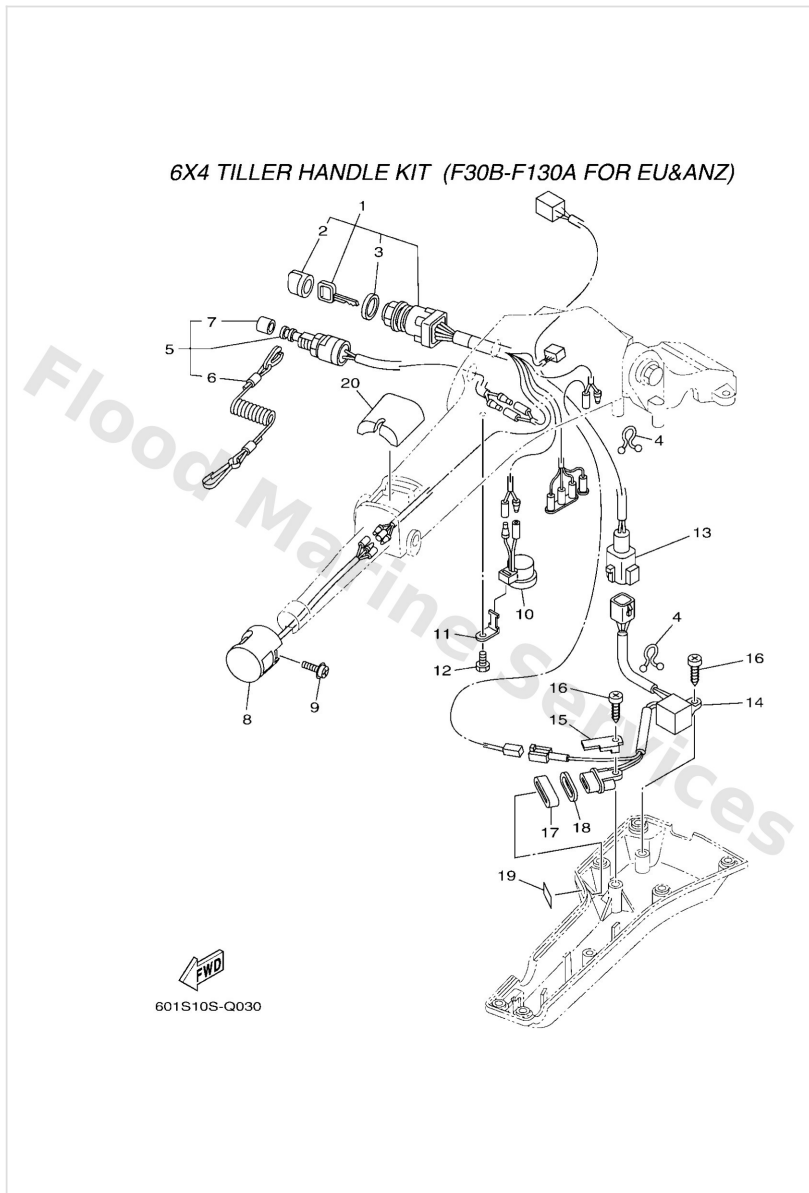
Ref	Part	
1	6X48251001 Main switch assembly	Buy now
2	6768257701 Cap, key	Buy now
3	7038253200 Cap	Buy now
4	9046408M07 Clamp	Buy now
5	69W8257500 Engine stop switch assembly	Buy now
6	6828255600 Lanyard, stop switch	Buy now
7	6898257Y00 Cap	Buy now
8	6X48256300 Trim & tilt switch assembly	Buy now
9	9798006216 Screw, with washer(6h2)	Buy now
10	6X48338300 Buzzer	Buy now
11	6X48338600 Stay, buzzer	Buy now
12	9709506014 Bolt(gj3)	Buy now
13	6X48194201 Cover	Buy now

Base Handle Electrical 2



Ref	Part	
1	6X48251041 Main switch assembly	Buy now
2	6768257701 Cap, key	Buy now
3	7038253200 Cap	Buy now
4	9046408M07 Clamp	Buy now
5	69W8257500 Engine stop switch assembly	Buy now
6	6828255600 Lanyard, stop switch	Buy now
7	6898257Y00 Cap	Buy now
8	6X48256301 Trim & tilt switch assembly	Buy now
9	9798006216 Screw, with washer(6h2)	Buy now
10	6X48338300 Buzzer	Buy now
11	6X48338600 Stay, buzzer	Buy now
12	9709506014 Bolt(gj3)	Buy now
13	6X48365320 Wire, lead (l: 700mm)	Buy now
14	6C58430100 Pilot light assembly 1	Buy now
15	6X44411400 Stopper	Buy now

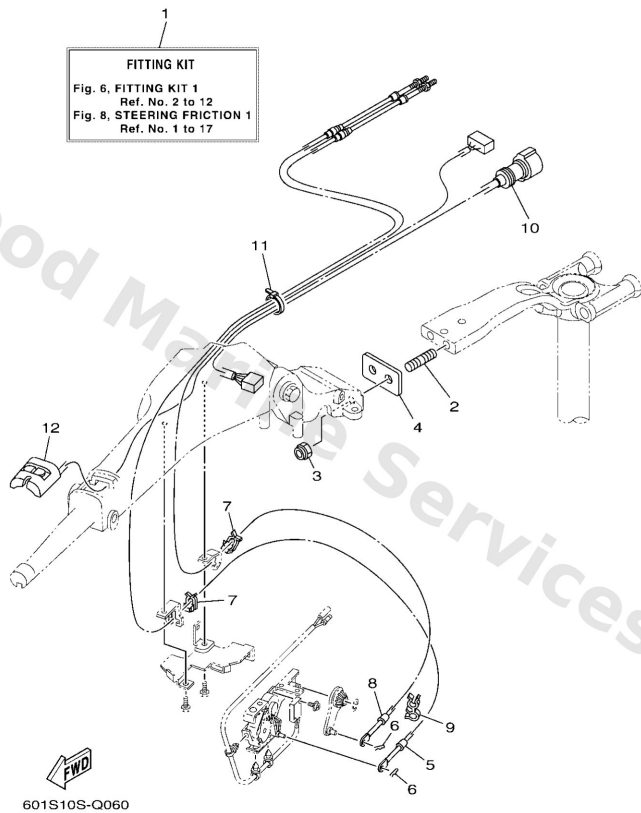
Base Handle Electrical 2



Ref	Part	
16	9778060620 Screw, tapping(6k8)	Buy now
17	6X44272700 Grommet	Buy now
18	6H48358900 Gasket	Buy now
19	6X48541500 Mark, signal lamp	Buy now
20	6X48194201 Cover	Buy now

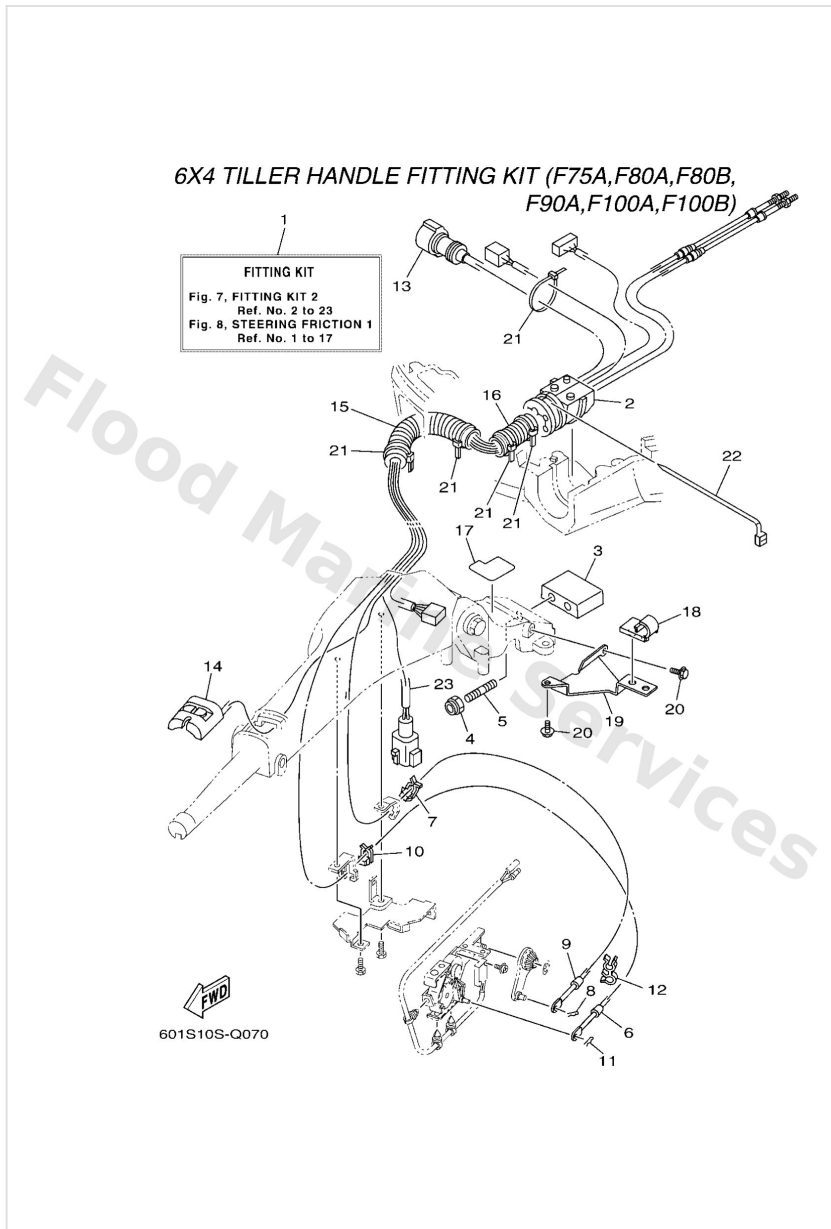
Fitting Kit 1

6X4 TILLER HANDLE FITTING KIT (F115B, VF115A, F130A)



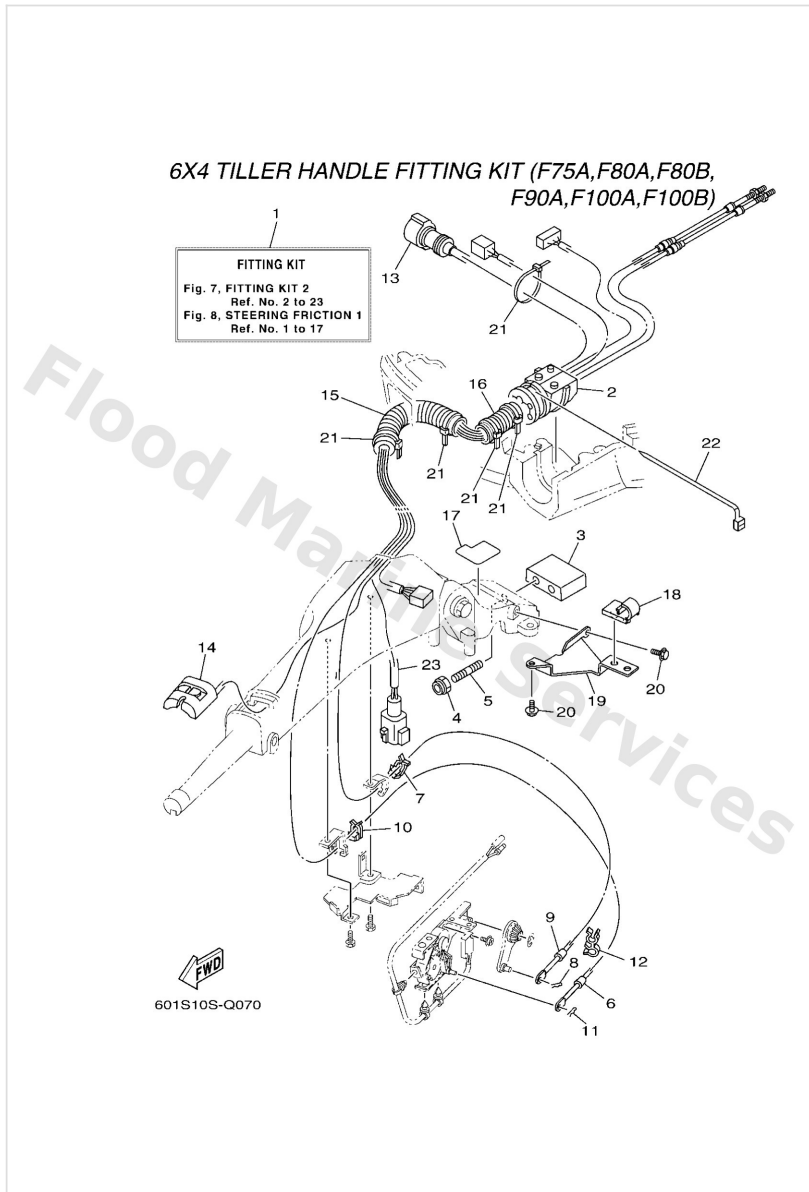
Ref	Part	
1	6X442102C0 Tiller kit f115b/(l)f115xb LM	Buy now
2	9011610063 Bolt, stud	Buy now
3	9018510027 Nut, self-locking	Buy now
4	6EK4212100 Bracket	Buy now
5	6EK4832100 Cable	Buy now
6	9046810005 Pin, hair 6264123500	Buy now
7	63D4853800 Clamp, cable 1	Buy now
8	6EK2630100 Throttle cable assembly	Buy now
9	9046409M42 Clamp(6b0)	Buy now
10	6X48258610 Ext., wire harness (l:950mm)	Buy now
11	9046513M24 Band, switch cord	Buy now
12	6X48186000 Switch assembly	Buy now

Fitting Kit 2



Ref	Part	
1	6X44210211 - LM FOR US	Buy now
1	6X442102A1 Tiller handle fit f80 / 100d LM FOR EU &ANZ	Buy now
2	68V4272510 Grommet	Buy now
3	6X442121008D Bracket	Buy now
4	9018510027 Nut, self-locking	Buy now
5	9011610031 Bolt, stud	Buy now
6	67G4832120 Cable	Buy now
7	63D4853800 Clamp, cable 1	Buy now
8	9046810005 Pin, hair 6264123500	Buy now
9	67G2630110 Throttle cable assembly	Buy now
12	9046409M42 Clamp(6b0)	Buy now
13	6X48258620 Ext., wire harness (l:1.25m)	Buy now
14	6X48186000 Switch assembly	Buy now
15	9044722007 Hose, with spring	Buy now
16	6K38355700 Tube	Buy now

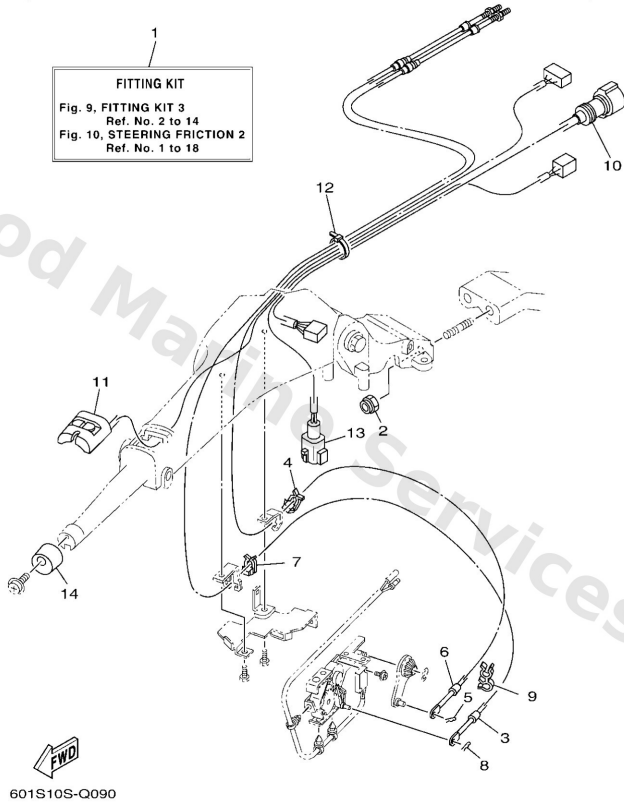
Fitting Kit 2



Ref	Part	
17	6X44273500 Protector	Buy now
18	63D2436700 Clamp, fuel pipe 2	Buy now
19	6X42436400 Stay	Buy now
20	9759506516 Bolt, with washer(6r6)	Buy now
21	9046513M24 Band, switch cord	Buy now
22	9046513M30 Clamp	Buy now
23	6X48365300 Wire, lead (l: 1250mm) FOR EU & ANZ	Buy now

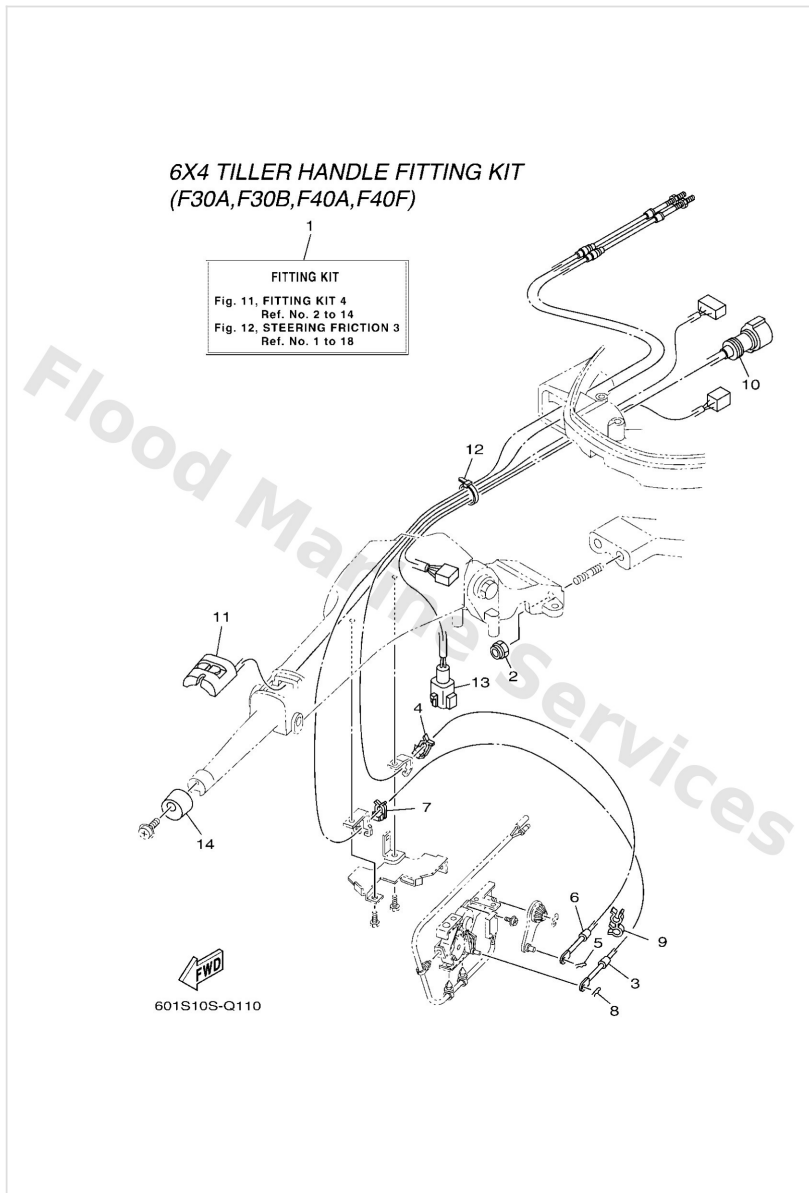
Fitting Kit 3

6X4 TILLER HANDLE FITTING KIT (F50B,F50H,T50B,FT50J,F60B,F60F,T60B,FT60G,F70A)



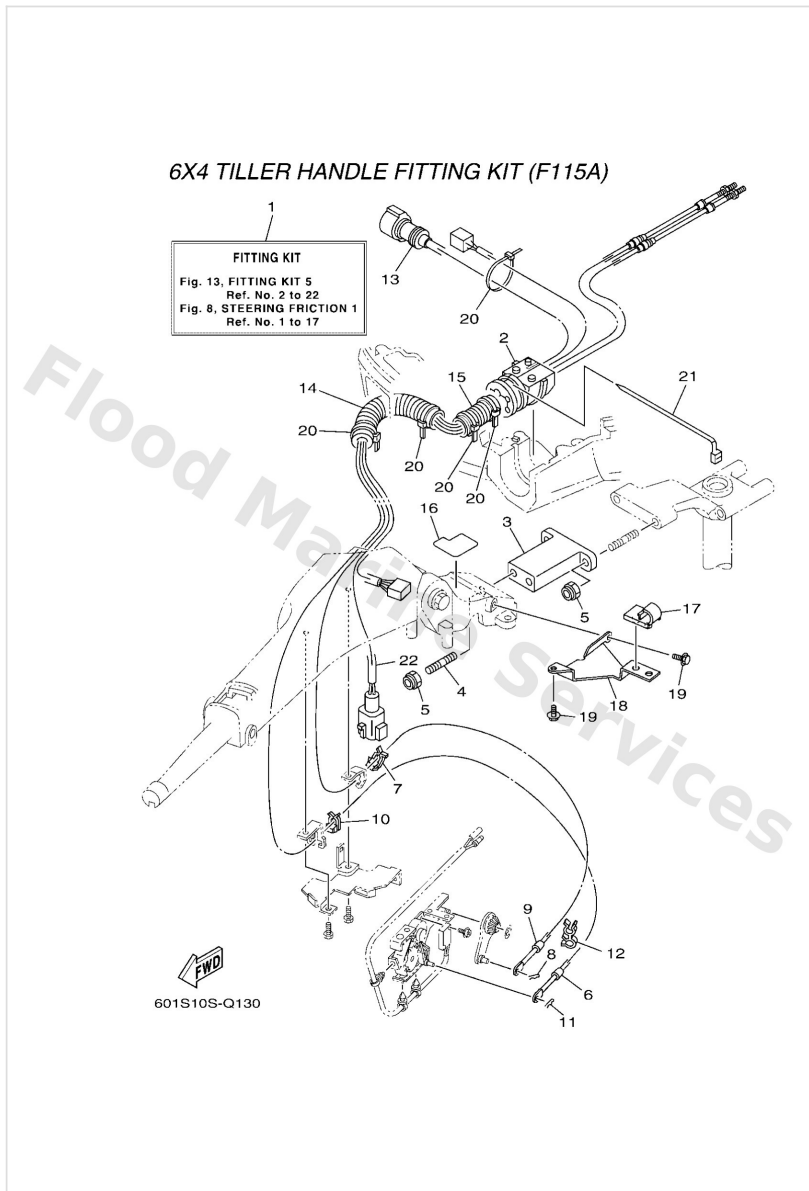
Ref	Part	
1	6X44210223 - LM FOR US	Buy now
1	6X44210291 Till f50h/ft50j/f60f/ft60g/f70 LM FOR EU & ANZ	Buy now
2	9018510027 Nut, self-locking	Buy now
3	67C4832111 Cable	Buy now
4	63D4853800 Clamp, cable 1	Buy now
5	9046810005 Pin, hair 6264123500	Buy now
6	69W2630100 Throttle cable assembly	Buy now
9	9046409M42 Clamp(6b0)	Buy now
10	6X48258610 Ext., wire harness (l:950mm)	Buy now
11	6X48186000 Switch assembly	Buy now
12	9046513M36 Clamp(6h4)	Buy now
13	6X48365320 Wire, lead (l: 700mm) FOR EU & ANZ	Buy now
14	6X44272800 Cap FOR EU & ANZ	Buy now

Fitting Kit 4



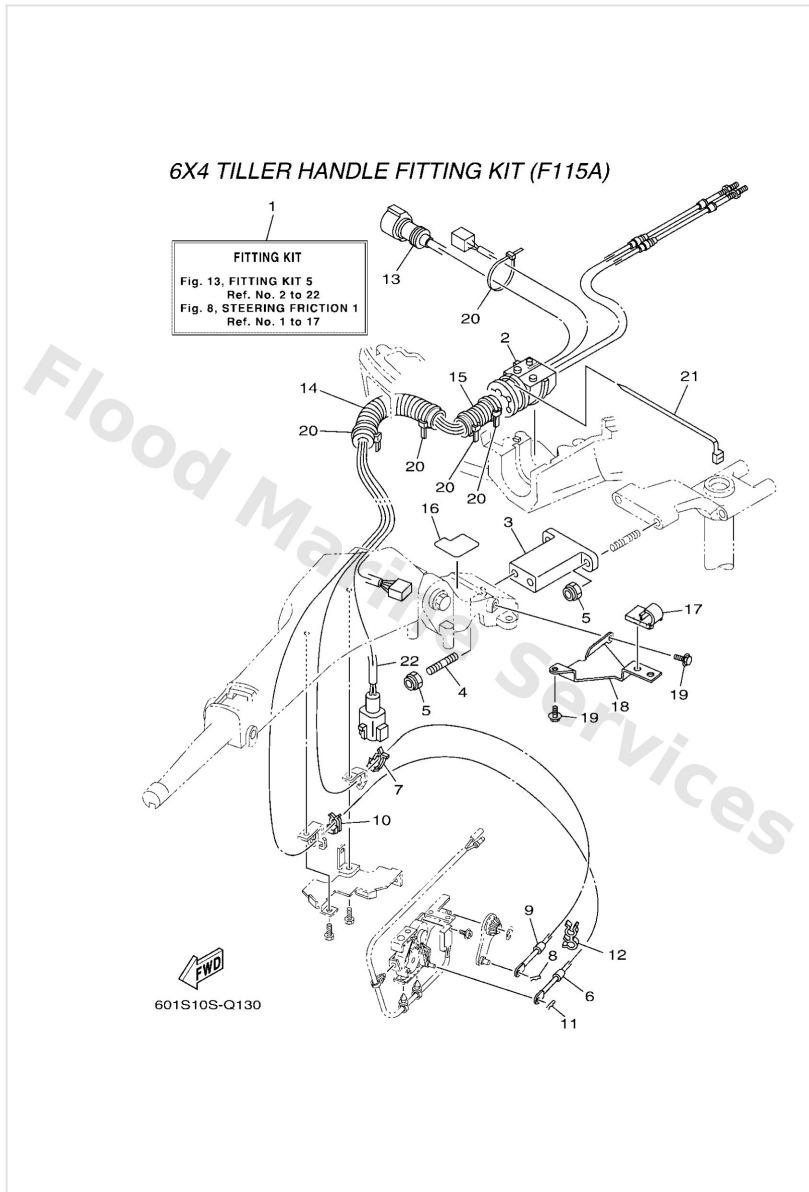
Ref	Part	
1	6X44210271 - LM FOR US	Buy now
1	6X44210281 Tiller handle fit f30b / f40f LM FOR EU & ANZ	Buy now
2	9018510027 Nut, self-locking	Buy now
3	67C4832111 Cable	Buy now
4	63D4853800 Clamp, cable 1	Buy now
5	9046810005 Pin, hair 6264123500	Buy now
6	69W2630100 Throttle cable assembly	Buy now
9	9046409M42 Clamp(6b0)	Buy now
10	6X48258610 Ext., wire harness (l:950mm)	Buy now
11	6X48186000 Switch assembly	Buy now
12	9046513M36 Clamp(6h4)	Buy now
13	6X48365320 Wire, lead (l: 700mm) FOR EU & ANZ	Buy now
14	6X44272800 Cap FOR EU & ANZ	Buy now

Fitting Kit 5



Ref	Part	
1	6X442102B1 - LM	Buy now
2	68V4272510 Grommet	Buy now
3	6X442121118D Bracket	Buy now
4	9011610062 Bolt, stud	Buy now
5	9018510027 Nut, self-locking	Buy now
6	67G4832120 Cable	Buy now
7	63D4853800 Clamp, cable 1	Buy now
8	9046810005 Pin, hair 6264123500	Buy now
9	67G2630110 Throttle cable assembly	Buy now
12	9046409M42 Clamp(6b0)	Buy now
13	6X48258620 Ext., wire harness (l:1.25m)	Buy now
14	9044722007 Hose, with spring	Buy now
15	6G58355700 Tube	Buy now
16	6X44273500 Protector	Buy now
17	63D2436700 Clamp, fuel pipe 2	Buy now

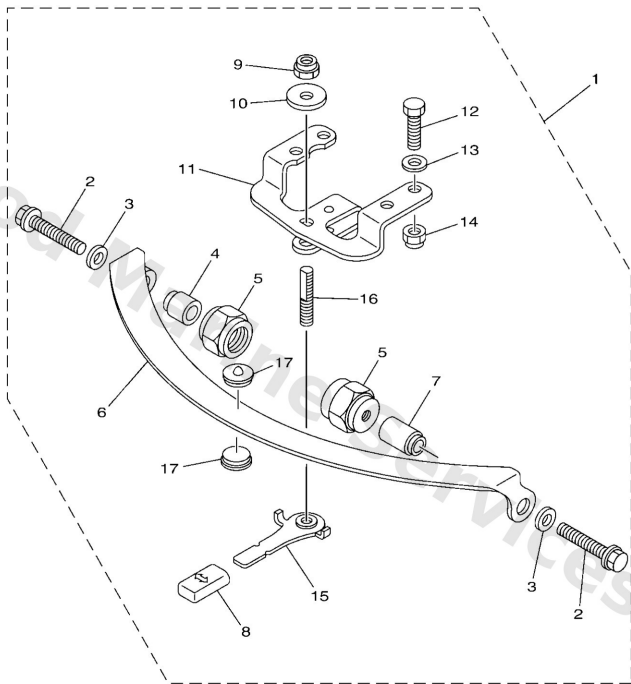
Fitting Kit 5



Ref	Part	
18	6X42436400 Stay	Buy now
19	9759506516 Bolt, with washer(6r6)	Buy now
20	9046513M24 Band, switch cord	Buy now
21	9046513M30 Clamp	Buy now
22	6X48365300 Wire, lead (l: 1250mm)	Buy now

Steering Friction 1

6X4 TILLER HANDLE FITTING KIT
STEERING FRICTION (F75A,F90A,F115A,F115B,
VF115A,F130A)

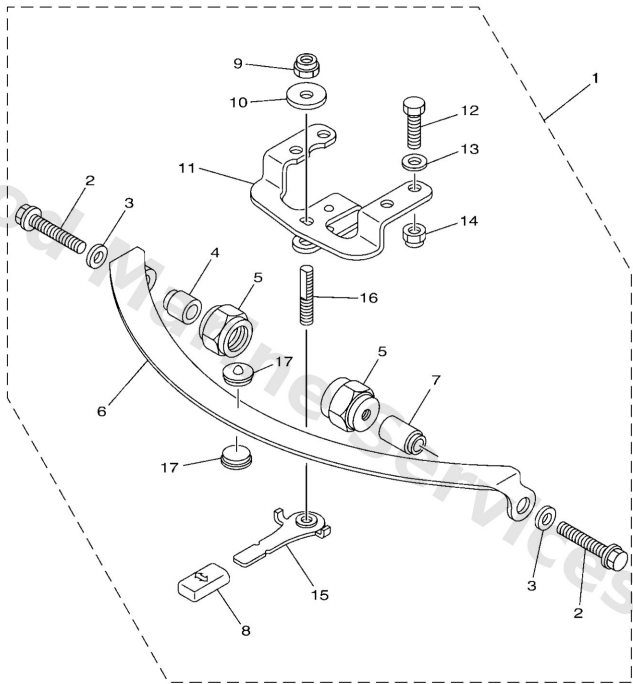



601S10S-Q080

Ref	Part	
1	67G4250810 Steering friction assembly	Buy now
2	9011908M74 Bolt, with washer(61a)	Buy now
3	9020108M01 Washer, plate(612)	Buy now
4	67G4254100 Pipe 1	Buy now
5	67G4254600 Nut	Buy now
6	63D4252700 Plate, friction	Buy now
7	67G4254110 Pipe 1	Buy now
8	6824331801 Cover	Buy now
9	9018510M14 Nut, self-locking	Buy now
10	9020110M76 Washer, plate (6e5)	Buy now
11	6X44252600 Plate, friction	Buy now
12	9709508025 Bolt (62g)	Buy now
13	9299508600 Washer, plain (663)	Buy now
14	9018508057 Nut, nylon (6j8)	Buy now
15	67G4256100 Knob, steering lock	Buy now

Steering Friction 1

6X4 TILLER HANDLE FITTING KIT
STEERING FRICTION (F75A,F90A,F115A,F115B,
VF115A,F130A)



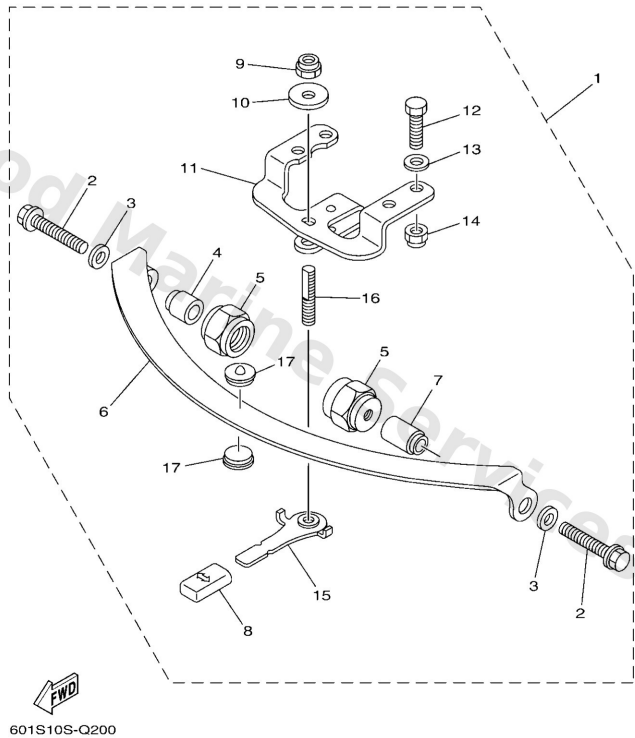

601S10S-Q080

Ref	Part	
16	67G4256200 Shaft, steering lock	Buy now
17	63D4252800 Plate, friction	Buy now

Steering Friction 10

STEERING FRICTION

Part No.	Applicable model
67G-42508-10	F75B (F75A), F80B (F80A), F90B (F90A), F100D (F100A) F115A, F115B (F115B), F130A (F130A), F75C

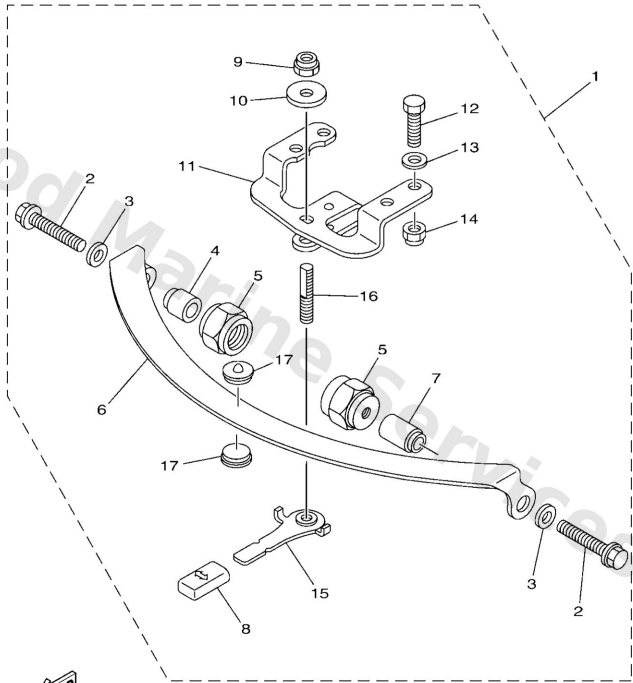


Ref	Part	
1	67G4250810 Steering friction assembly	Buy now
2	9011908M74 Bolt, with washer(61a)	Buy now
3	9020108M01 Washer, plate(612)	Buy now
4	67G4254100 Pipe 1	Buy now
5	67G4254600 Nut	Buy now
6	63D4252700 Plate, friction	Buy now
7	67G4254110 Pipe 1	Buy now
8	6824331801 Cover	Buy now
9	9018510M14 Nut, self-locking	Buy now
10	9020110M76 Washer, plate (6e5)	Buy now
11	6X44252600 Plate, friction	Buy now
12	9709508025 Bolt (62g)	Buy now
13	9299508600 Washer, plain (663)	Buy now
14	9018508057 Nut, nylon (6j8)	Buy now
15	67G4256100 Knob, steering lock	Buy now

Steering Friction 10

STEERING FRICTION

Part No.	Applicable model
67G-42508-10	F75B (F75A), F80B (F80A), F90B (F90A), F100D (F100A) F115A, F115B (F115B), F130A (F130A), F75C

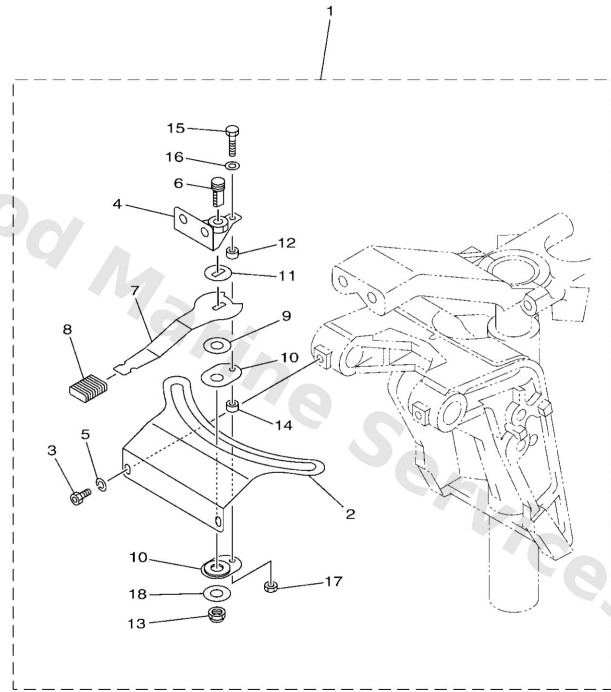


601S10S-Q200

Ref	Part	
16	67G4256200 Shaft, steering lock	Buy now
17	63D4252800 Plate, friction	Buy now

Steering Friction 2

6X4 TILLER HANDLE FITTING KIT
STEERING FRICTION (F50B,F50H,T50B,FT50J,
F60B,F60F,T60B,FT60G,F70A)

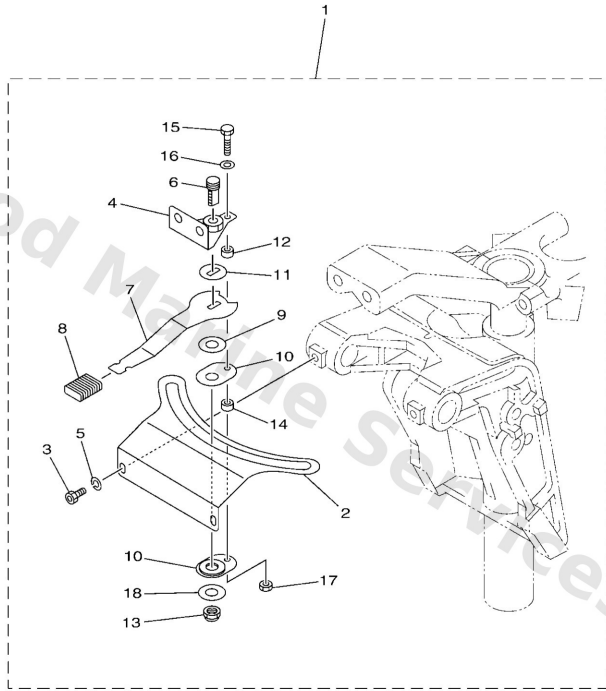



601S10S-Q100

Ref	Part	
1	6C54250801 Steering friction assembly	Buy now
2	6C54252700 Plate, friction	Buy now
3	9010906M88 Bolt(61a)	Buy now
4	67C4252500 Plate, friction	Buy now
5	9299006100 Washer(6a1)	Buy now
6	67C4256200 Shaft, steering lock	Buy now
7	67C4256100 Knob, steering lock	Buy now
8	6894363300 Cover, tilt lever	Buy now
9	9020210M56 Washer, plate	Buy now
10	65W4252800 Plate, friction	Buy now
11	9020910M26 Washer	Buy now
12	9038705053 Collar	Buy now
13	9018510M14 Nut, self-locking	Buy now
14	9038705054 Collar	Buy now
15	9709505020 Bolt, hexagon	Buy now

Steering Friction 2

6X4 TILLER HANDLE FITTING KIT
 STEERING FRICTION (F50B,F50H,T50B,FT50J,
 F60B,F60F,T60B,FT60G,F70A)

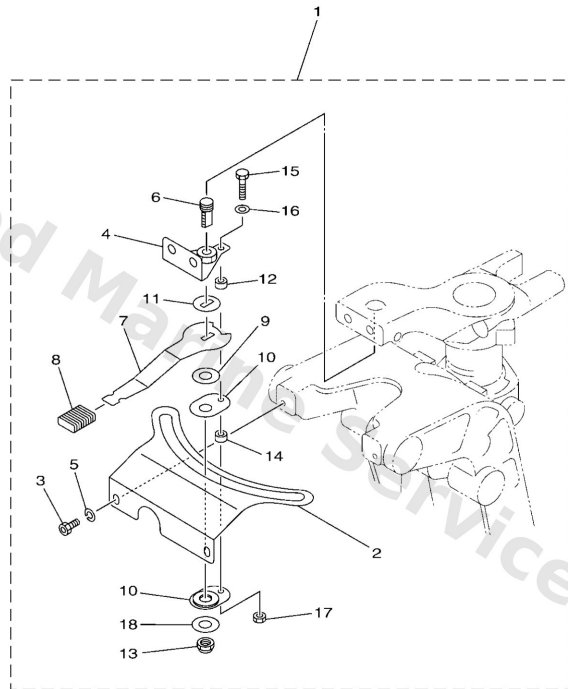



 601S10S-Q100

Ref	Part	
16	9299505600 Washer, plain (646)	Buy now
17	9538005600 Nut, hexagon (663)	Buy now
18	90201106M5 Washer, plate(3gm)	Buy now

Steering Friction 3

6X4 TILLER HANDLE FITTING KIT
STEERING FRICTION (F30A,F30B,F40A,F40F)

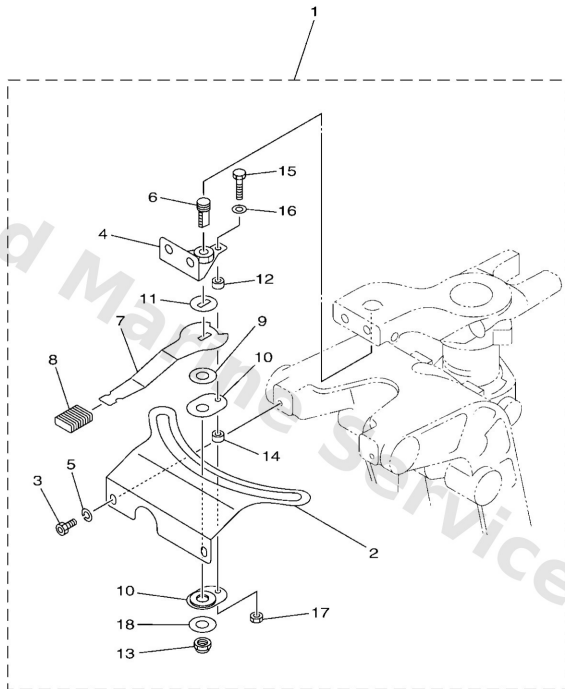



601S10S-Q120

Ref	Part	
1	67C4250804 Steering friction assembly	Buy now
2	67C4252703 Plate, friction	Buy now
3	9010906M88 Bolt(61a)	Buy now
4	67C4252500 Plate, friction	Buy now
5	9299006100 Washer(6a1)	Buy now
6	67C4256200 Shaft, steering lock	Buy now
7	67C4256100 Knob, steering lock	Buy now
8	6894363300 Cover, tilt lever	Buy now
9	9020210M56 Washer, plate	Buy now
10	65W4252800 Plate, friction	Buy now
11	9020910M26 Washer	Buy now
12	9038705053 Collar	Buy now
13	9018510M14 Nut, self-locking	Buy now
14	9038705054 Collar	Buy now
15	9709505020 Bolt, hexagon	Buy now

Steering Friction 3

6X4 TILLER HANDLE FITTING KIT
STEERING FRICTION (F30A,F30B,F40A,F40F)



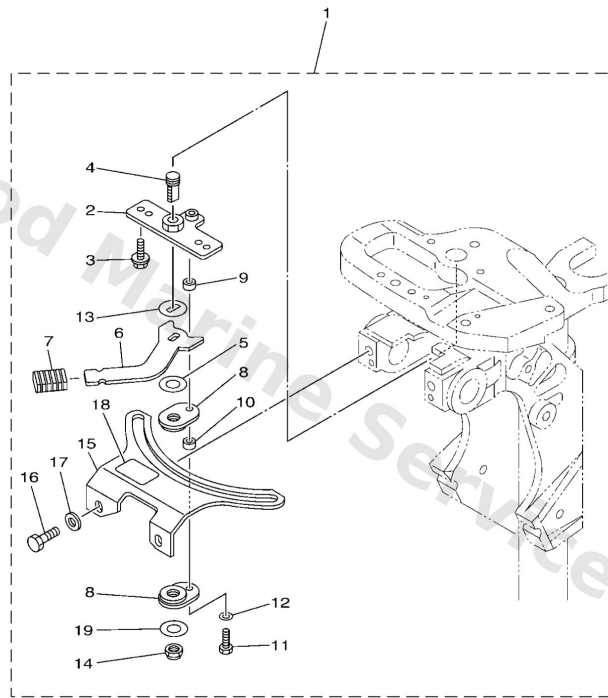
601S10S-Q120

Ref	Part	
16	9299505600 Washer, plain (646)	Buy now
17	9538005600 Nut, hexagon (663)	Buy now
18	90201106M5 Washer, plate(3gm)	Buy now

Steering Friction 4

STEERING FRICTION

Part No.	Applicable model
6AH-42508-01	F8F(F8B), FT8G, F9 9J(F9 9B), F9 9H, FT9 9L,(T9 9B), F15C (F15A), F20B (F20A), F20C
6AH-42508-11	FT9 9L,(T9 9B), F15C (F15A), F20B (F20A)



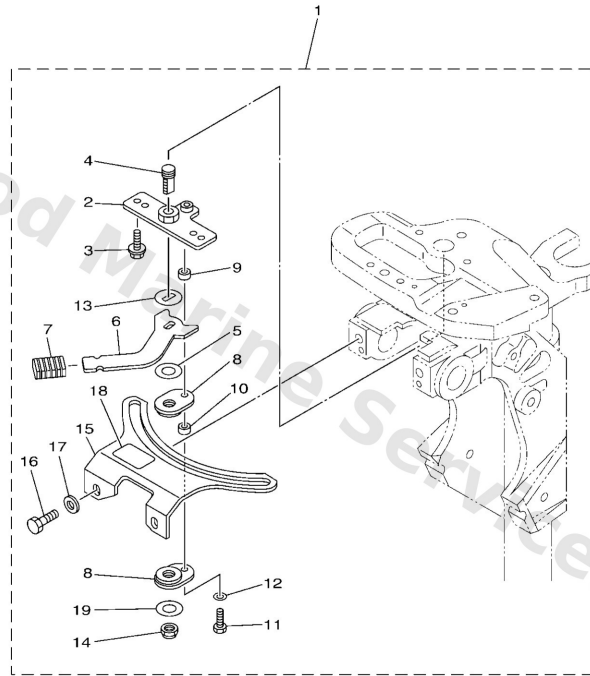
601S10S-Q140

Ref	Part	
1	6AH4250801 Steering friction assembly UR	Buy now
1	6AH4250811 Steering friction assembly UR	Buy now
2	68T4252501 Plate, friction	Buy now
3	9011905018 Bolt, with washer	Buy now
4	67C4256200 Shaft, steering lock	Buy now
5	9020210M56 Washer, plate	Buy now
6	68T4256100 Knob, steering lock	Buy now
7	6894363300 Cover, tilt lever	Buy now
8	65W4252800 Plate, friction	Buy now
9	9038705053 Collar	Buy now
10	9038705054 Collar	Buy now
11	9709505020 Bolt, hexagon	Buy now
12	9299505600 Washer, plain (646)	Buy now
13	9020910M26 Washer	Buy now
14	9018510M14 Nut, self-locking	Buy now

Steering Friction 4

STEERING FRICTION

Part No.	Applicable model
6AH-42508-01	F8F(F8B), FT8G, F9.9J(F9.9B), F9.9H, FT9.9L(T9.9B), F15C (F15A), F20B (F20A), F20C
6AH-42508-11	FT9.9L(T9.9B), F15C (F15A), F20B (F20A)



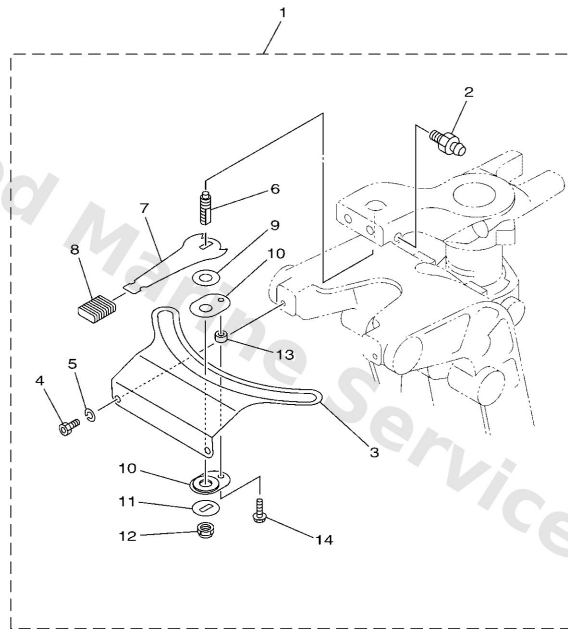
601S10S-Q140

Ref	Part	
15	6AH4252700 Plate, friction	Buy now
16	9010108022 Bolt, hexagon deep recess	Buy now
17	9020108065 Washer, plate	Buy now
18	68T4315500 Mark 1 FOR 6AH-42508-01	Buy now
19	90201106M5 Washer, plate(3gm)	Buy now

Steering Friction 5

STEERING FRICTION

Part No.	Applicable model
65W-42508-00	F25D (F25A/F25B), (E)40X



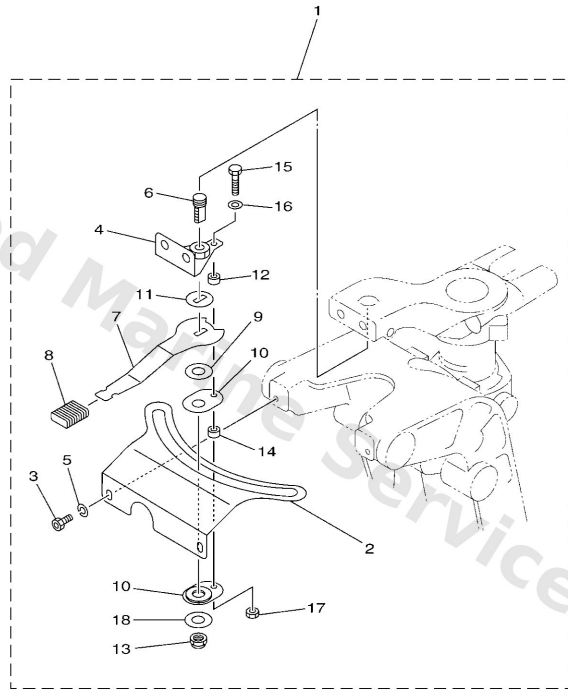
FWD
601S10S-M180

Ref	Part	
1	65W4250800 Steering friction assembly	Buy now
2	9370006M03 Nipple, grease(6a1)	Buy now
3	65W4252700 Plate, friction	Buy now
4	9010906M88 Bolt(61a)	Buy now
5	9299006100 Washer(6a1)	Buy now
6	65W4256200 Shaft, steering lock	Buy now
7	65W4256100 Knob, steering lock	Buy now
8	6894363300 Cover, tilt lever	Buy now
9	9020210M56 Washer, plate	Buy now
10	65W4252800 Plate, friction	Buy now
11	9020910M26 Washer	Buy now
12	9018510M14 Nut, self-locking	Buy now
13	9038705054 Collar	Buy now
14	9010905M89 Bolt, with washer	Buy now

Steering Friction 6

STEERING FRICTION

Part No.	Applicable model
67C-42508-04	F30B (F30A), F40F(F40A)



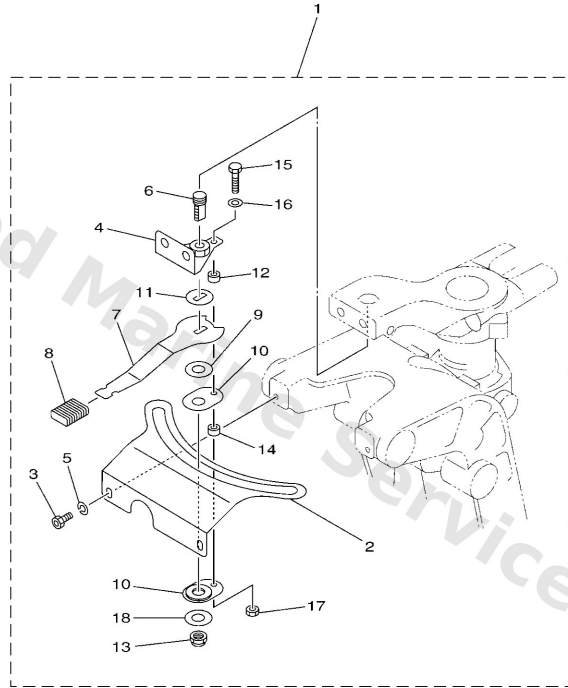

601S10S-L170

Ref	Part	
1	67C4250804 Steering friction assembly	Buy now
2	67C4252703 Plate, friction	Buy now
3	9010906M88 Bolt(61a)	Buy now
4	67C4252500 Plate, friction	Buy now
5	9299006100 Washer(6a1)	Buy now
6	67C4256200 Shaft, steering lock	Buy now
7	67C4256100 Knob, steering lock	Buy now
8	6894363300 Cover, tilt lever	Buy now
9	9020210M56 Washer, plate	Buy now
10	65W4252800 Plate, friction	Buy now
11	9020910M26 Washer	Buy now
12	9038705053 Collar	Buy now
13	9018510M14 Nut, self-locking	Buy now
14	9038705054 Collar	Buy now
15	9709505020 Bolt, hexagon	Buy now

Steering Friction 6

STEERING FRICTION

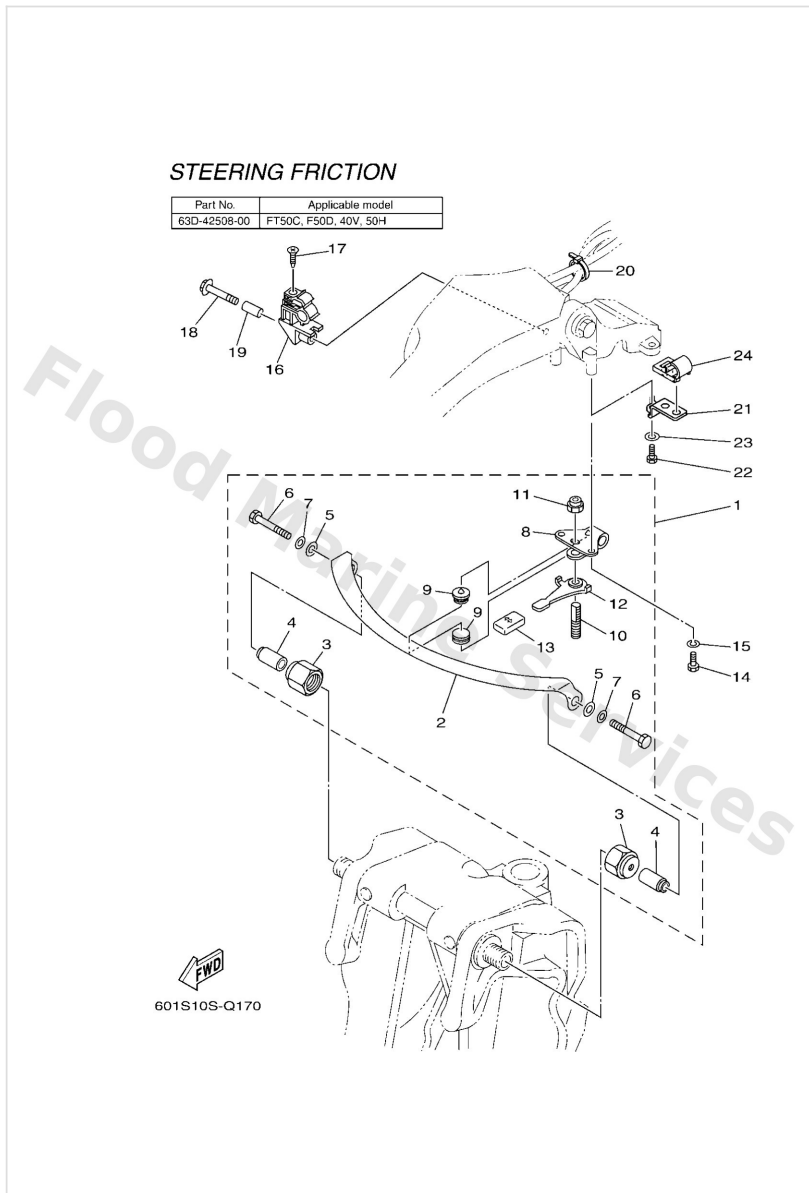
Part No.	Applicable model
67C-42508-04	F30B (F30A), F40F(F40A)




601S10S-L170

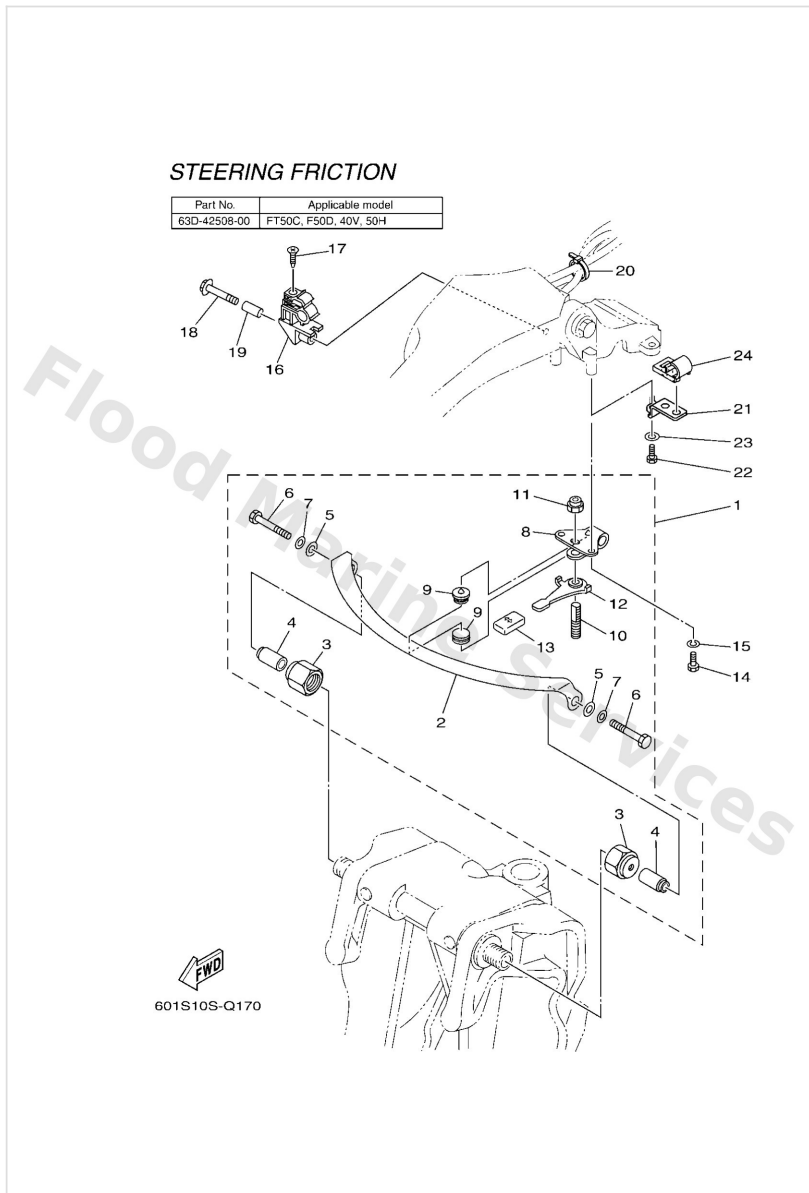
Ref	Part	
16	9299505600 Washer, plain (646)	Buy now
17	9538005600 Nut, hexagon (663)	Buy now
18	90201106M5 Washer, plate(3gm)	Buy now

Steering Friction 7



Ref	Part	
1	63D4250800 Steering friction assembly	Buy now
2	63D4252700 Plate, friction	Buy now
3	63D4254600 Nut	Buy now
4	63D4254100 Pipe 1	Buy now
5	9020108M01 Washer, plate(6I2)	Buy now
6	9709508050 Bolt (62k)	Buy now
7	9299008600 Washer, plain (663)	Buy now
8	63D4252600 Plate, friction	Buy now
9	63D4252800 Plate, friction	Buy now
10	63D4256200 Steering bracket assembly	Buy now
11	9018510M01 Nut, self-locking(62x)	Buy now
12	63D4256100 Knob, steering lock	Buy now
13	6824331801 Cover	Buy now
14	9709506016 Bolt, hexagon deep recess	Buy now
15	9299506100 Washer(6a1)	Buy now

Steering Friction 7

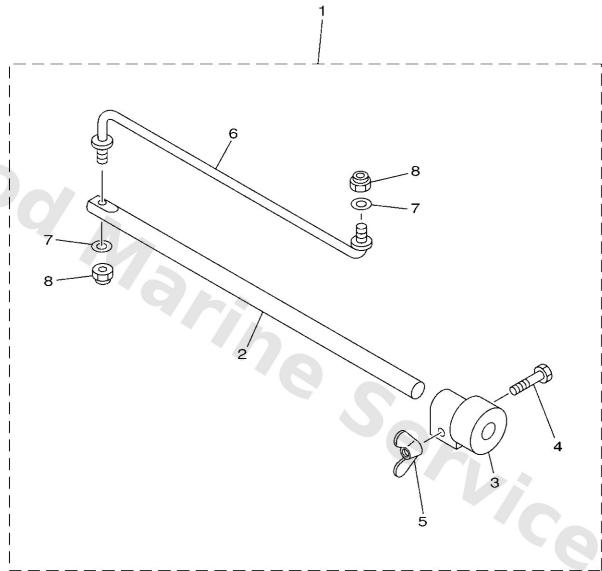


Ref	Part	
16	63D8236100 Clamp, cord	Buy now
17	9016106M00 Screw, tapping(6e7)	Buy now
18	9759506535 Bolt(j52)	Buy now
19	9038706M26 Collar(61n)	Buy now
20	9046513M36 Clamp(6h4)	Buy now
21	63D2436410 Stay	Buy now
23	9299506600 Washer, plain (646)	Buy now
24	63D2436700 Clamp, fuel pipe 2	Buy now

Steering Friction 8

STEERING FRICTION

Part No.	Applicable model
692-42508-01	55B, 55D, 60F, 70B, 90A

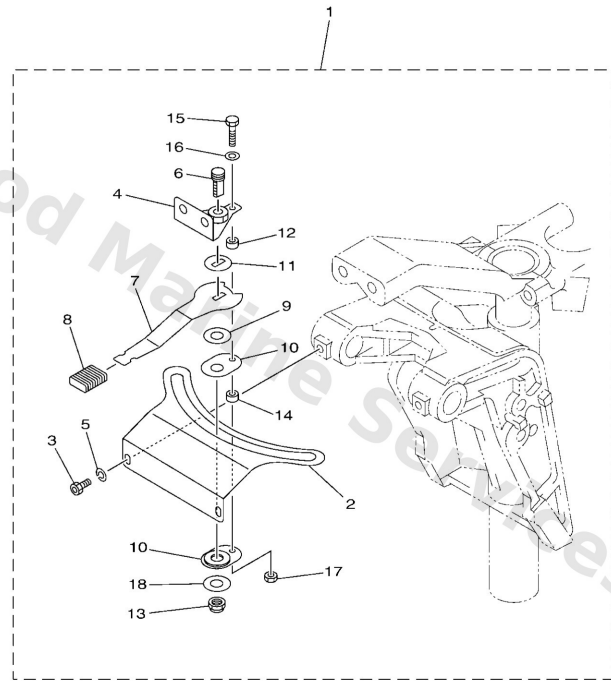


Ref	Part	
1	6924250801 Steering friction assembly	Buy now
2	6634251800 Shaft, friction	Buy now
3	6634252800 Piece, friction	Buy now
4	9708006035 Bolt(j52)	Buy now
5	9017506003 Nut, wing (f87)	Buy now
6	6924251501 Rod, steering link	Buy now
7	9299008600 Washer, plain (663)	Buy now
8	9018508057 Nut, nylon (6j8)	Buy now

Steering Friction 9

STEERING FRICTION

Part No.	Applicable model
6C5-42508-01	F50H (F50B), FT50J (T50B), F60F (F60B), FT60G (T60B)



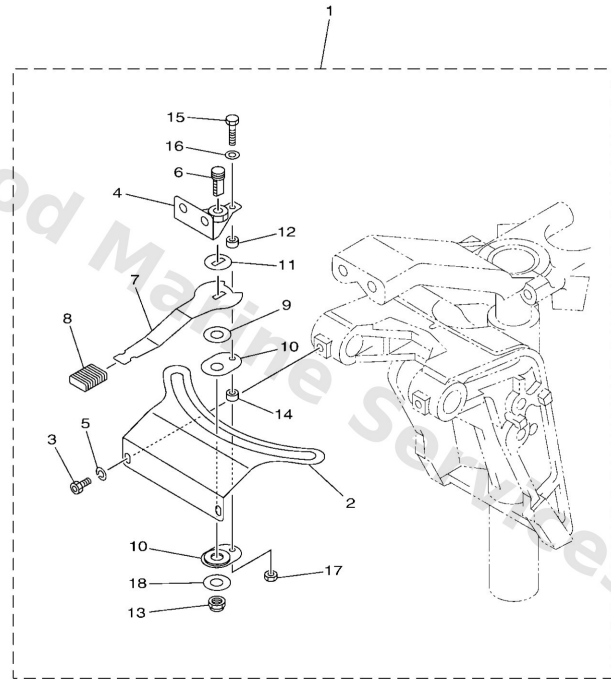
601S10S-Q190

Ref	Part	
1	6C54250801 Steering friction assembly	Buy now
2	6C54252700 Plate, friction	Buy now
3	9010906M88 Bolt(61a)	Buy now
4	67C4252500 Plate, friction	Buy now
5	9299006100 Washer(6a1)	Buy now
6	67C4256200 Shaft, steering lock	Buy now
7	67C4256100 Knob, steering lock	Buy now
8	6894363300 Cover, tilt lever	Buy now
9	9020210M56 Washer, plate	Buy now
10	65W4252800 Plate, friction	Buy now
11	9020910M26 Washer	Buy now
12	9038705053 Collar	Buy now
13	9018510M14 Nut, self-locking	Buy now
14	9038705054 Collar	Buy now
15	9709505020 Bolt, hexagon	Buy now

Steering Friction 9

STEERING FRICTION

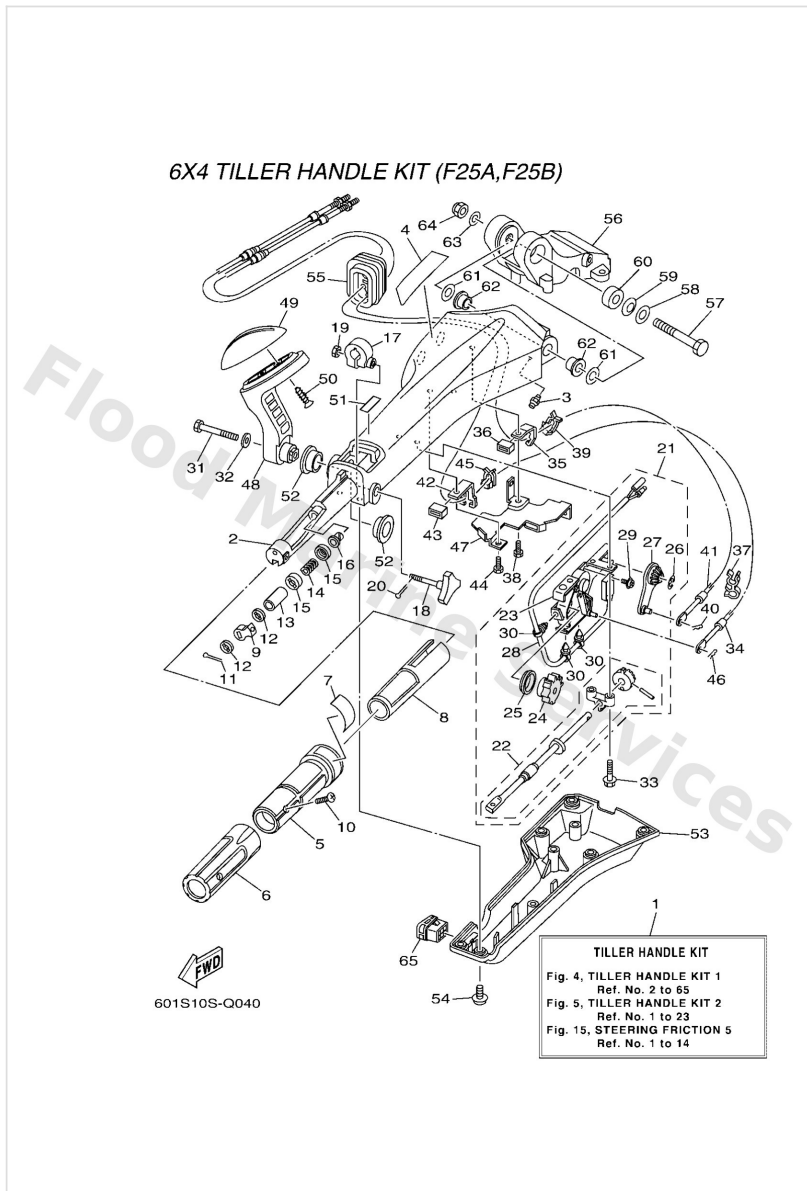
Part No.	Applicable model
6C5-42508-01	F50H (F50B), FT50J (T50B), F60F (F60B), FT60G (T60B)



601S10S-Q190

Ref	Part	
16	9299505600 Washer, plain (646)	Buy now
17	9538005600 Nut, hexagon (663)	Buy now
18	90201106M5 Washer, plate(3gm)	Buy now

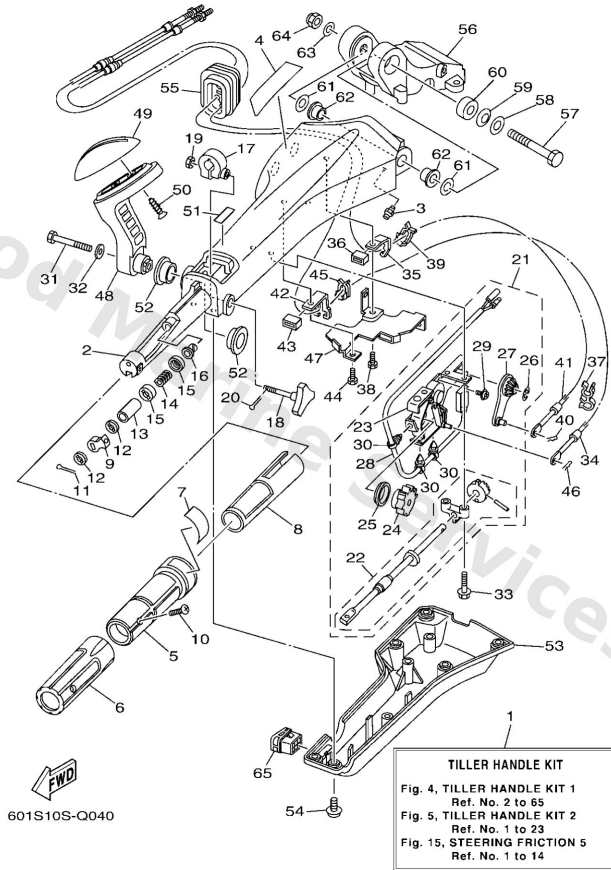
Tiller Handle Kit 1



Ref	Part	
1	6X4421030A F25 tiller handle complete LM	Buy now
2	6X442111024D Handle, steering	Buy now
3	9370006M03 Nipple, grease(6a1)	Buy now
4	6X44821500 Graphic	Buy now
5	6X44211901 Grip, steering handle	Buy now
6	6X44217700 Rubber, handle	Buy now
7	6X44213700 Indicator, throttle	Buy now
8	6X44129100 Bushing	Buy now
9	6X44413901 Collar	Buy now
10	9015205007 Screw, countersunk	Buy now
11	9149020010 Pin, cotter	Buy now
12	6X44417700 Washer	Buy now
13	6X44212800 Collar, distance 1	Buy now
14	9050123215 Spring (655)	Buy now
15	6X44418800 Washer	Buy now

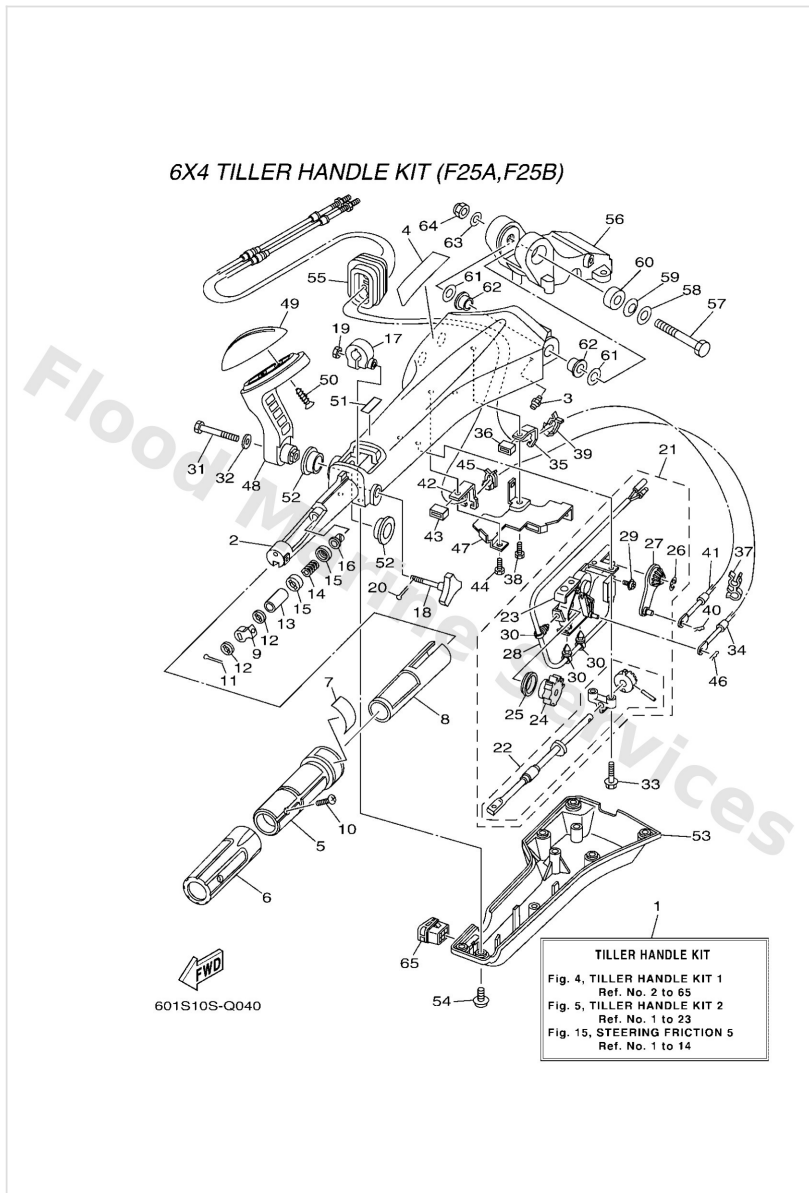
Tiller Handle Kit 1

6X4 TILLER HANDLE KIT (F25A,F25B)



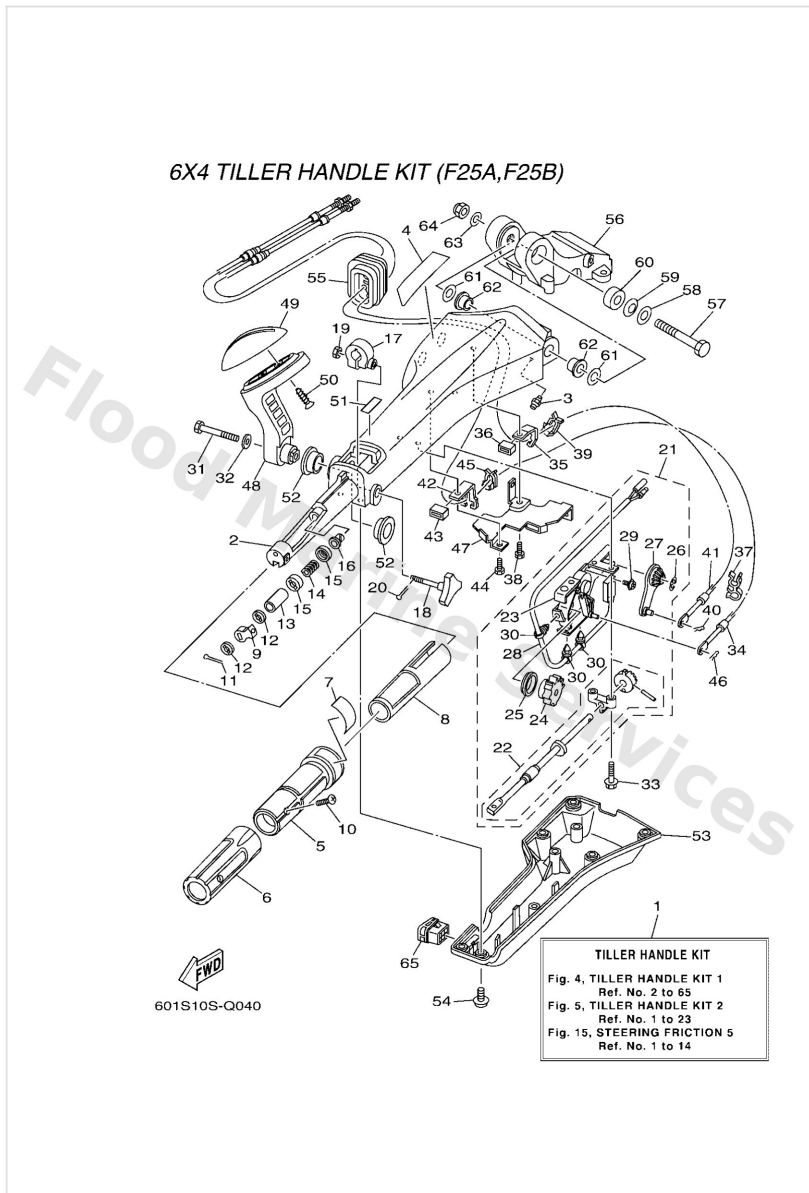
Ref	Part	
16	9038608032 Bushing (650)	Buy now
17	63D4212600 Friction, steering handle grip	Buy now
18	6X44815400 Knob, throttle	Buy now
19	9538006600 Nut(661)	Buy now
21	6X44410001 Shift link assembly	Buy now
22	6X44211500 Shaft, steering handle	Buy now
23	6X44410200 Shift assist assembly.	Buy now
24	6X44773101 Gear, drive	Buy now
25	6X44413200 Bushing	Buy now
26	6X41413700 Clip	Buy now
27	6X44826100 Arm, throttle	Buy now
28	6X48254000 Neutral switch assembly	Buy now
29	7034812900 Screw 3	Buy now
30	6X44282100 Band, clamp	Buy now
31	9709508040 Bolt, hexagon	Buy now

Tiller Handle Kit 1



Ref	Part	
32	9299508600 Washer, plain (663)	Buy now
33	9759506530 Bolt, hexagon w/w deep recess	Buy now
34	6H14832121 Cable	Buy now
35	6X44853800 Clamp, cable 1	Buy now
36	6X42636700 Protector	Buy now
37	9046409M42 Clamp(6b0)	Buy now
38	9709506014 Bolt(gj3)	Buy now
39	63D4853800 Clamp, cable 1	Buy now
40	9046810005 Pin, hair 6264123500	Buy now
41	6H34832102 Cable	Buy now
42	6X44853810 Clamp, cable 1	Buy now
47	6X44215900 Stay	Buy now
48	6X444159004D Handle, gear shift	Buy now
49	6X44417300 Lever, shift control	Buy now
50	9778060920 Screw, tapping	Buy now

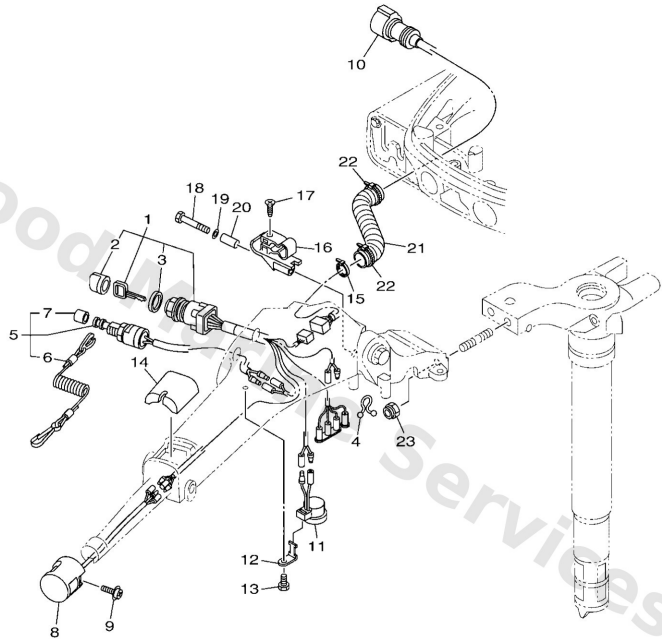
Tiller Handle Kit 1



Ref	Part	
51	6G84419100 Indicator, shift	Buy now
52	9038626MA3 Bush	Buy now
53	6X44213101 Cover, handle steering	Buy now
54	9798506216 Screw, with washer(6h2)	Buy now
55	6X44272501 Grommet	Buy now
56	65W42121114D -	Buy now
57	9010112014 Bolt	Buy now
58	9299012200 Ybs66-12 washer,plain	Buy now
59	9020612M22 Washer, wave(6b0)	Buy now
60	9038712M02 Collar(6b0)	Buy now
61	9020112035 Washer, plate	Buy now
62	9038612003 Bush	Buy now
63	9299012600 Washer, plate(663)	Buy now
64	9018512M12 Nut, self-locking(6e5)	Buy now
65	6X44272810 Cap	Buy now

Tiller Handle Kit 2

6X4 TILLER HANDLE KIT (F25A,F25B)

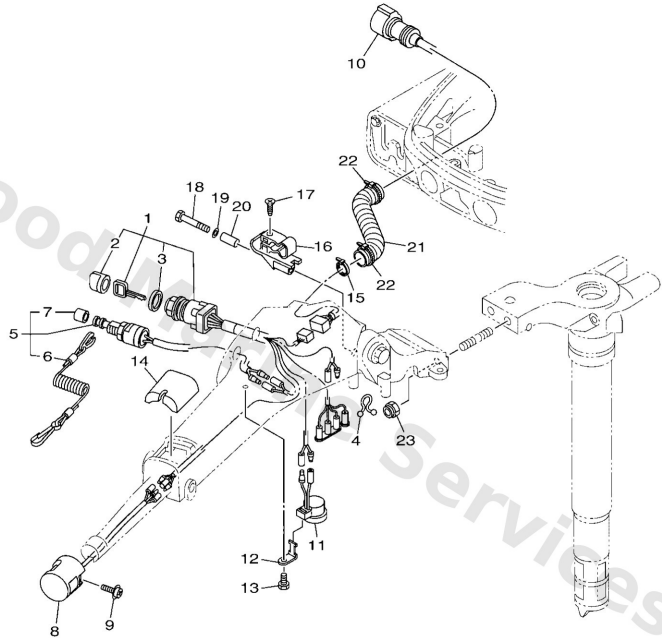


601S10S-Q050

Ref	Part	
1	6X48251001 Main switch assembly	Buy now
2	6768257701 Cap, key	Buy now
3	7038253200 Cap	Buy now
4	9046408M07 Clamp	Buy now
5	69W8257500 Engine stop switch assembly	Buy now
6	6828255600 Lanyard, stop switch	Buy now
7	6898257Y00 Cap	Buy now
8	6X48256300 Trim & tilt switch assembly	Buy now
9	9798006216 Screw, with washer(6h2)	Buy now
10	6X48258610 Ext., wire harness (l:950mm)	Buy now
11	6X48338300 Buzzer	Buy now
12	6X48338600 Stay, buzzer	Buy now
13	9709506014 Bolt(gj3)	Buy now
14	6X48194201 Cover	Buy now
15	9046513M36 Clamp(6h4)	Buy now

Tiller Handle Kit 2

6X4 TILLER HANDLE KIT (F25A,F25B)




601S10S-Q050

Ref	Part	
16	62Y8236100 Clamp, cord	Buy now
17	9016106M03 Screw, tapping(6e7)	Buy now
18	9709506035 Bolt(j52)	Buy now
19	9299506600 Washer, plain (646)	Buy now
20	9038706M26 Collar(61n)	Buy now
21	9044722006 -	Buy now
22	9046513M24 Band, switch cord	Buy now
23	9018510027 Nut, self-locking	Buy now

Disclaimer

This document is provided for convenience only. It is **not** an official Yamaha publication and is **not supplied, endorsed, or approved** by Yamaha Motor Co., Ltd.

Reasonable efforts are made to keep information accurate; however diagrams, part references, supersessions, descriptions, and applicability may contain errors or omissions. Specifications and part availability may change without notice.

You are responsible for confirming the correct parts for your engine (including model code, year, serial range, and any superseded part numbers) before ordering or fitting.