



Yamaha Rigging - Meter 2025

Parts Manual

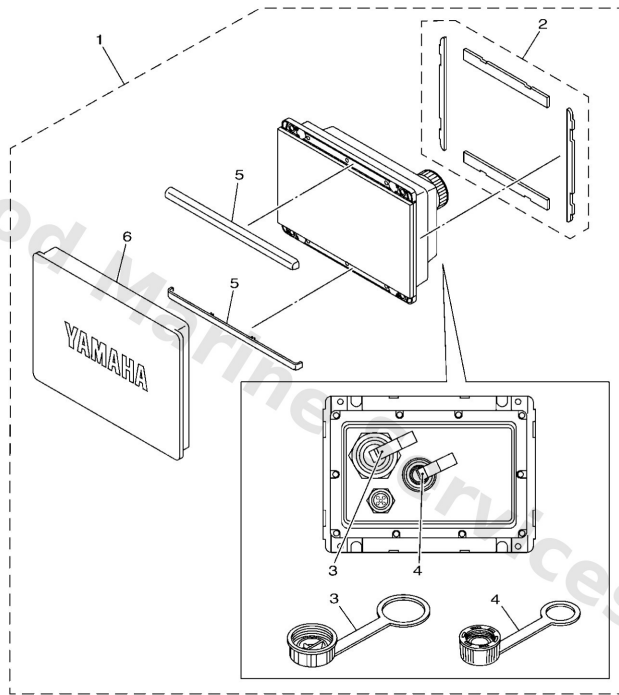
www.floodmarine.co.uk
+44 2882 246 539
Authorised Yamaha Dealers



Contents

CL5 DISPLAY 1	3
CL5 DISPLAY 2	4
DES	6
DIGITAL NETWORK GAUGE 1	7
DIGITAL NETWORK GAUGE 2	8
DIGITAL NETWORK GAUGE 3	10
DIGITAL NETWORK GAUGE 4	11
DIGITAL NETWORK GAUGE 5	12
DIGITAL NETWORK GAUGE 6	13
DIGITAL NETWORK GAUGE 7	14
DIGITAL NETWORK GAUGE 8	16
ELECTRICAL	17
HELM UNIT	18
IMMOBILIZER KIT	20
METER 1	21
METER 2	22
METER 3	23
METER 4	24
METER 5	25
METER 6	26
METER 7	28
METER 8	29
WIRE HARNESS 1	30
WIRE HARNESS 2	31
WIRE HARNESS 3	33

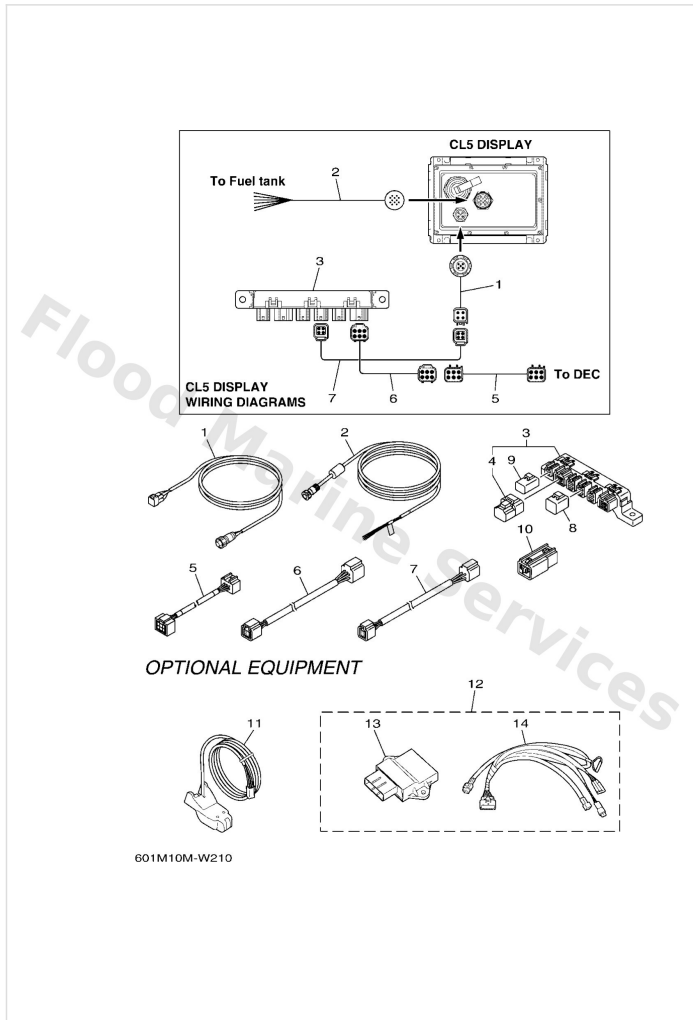
CI5 Display 1



6ALH300-V410

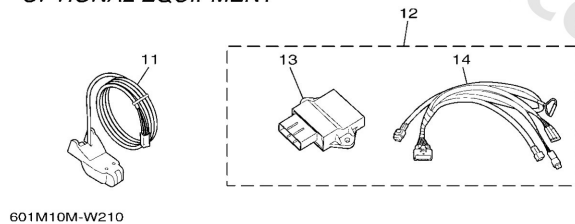
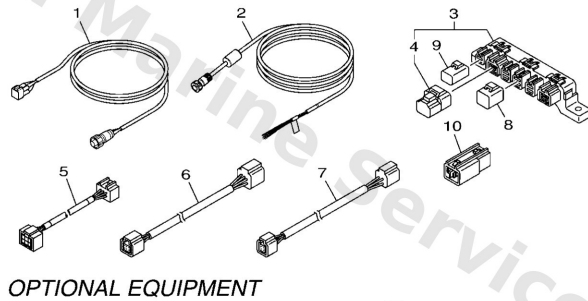
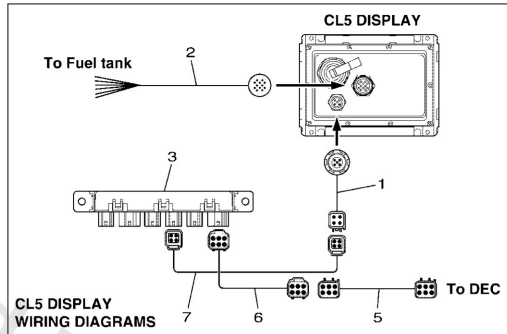
Ref	Part	
1	6YM8371018 CI5 display (w/o wifi) WITHOUT Wi-Fi	Buy now
2	6YM2248000 Seal assembly	Buy now
3	6YM8395600 Cap 1	Buy now
4	6YD8395700 Cap 2	Buy now
5	6YM8351200 Ring, speed meter	Buy now
6	6YM8727800 Cover, meter	Buy now

CL5 Display 2



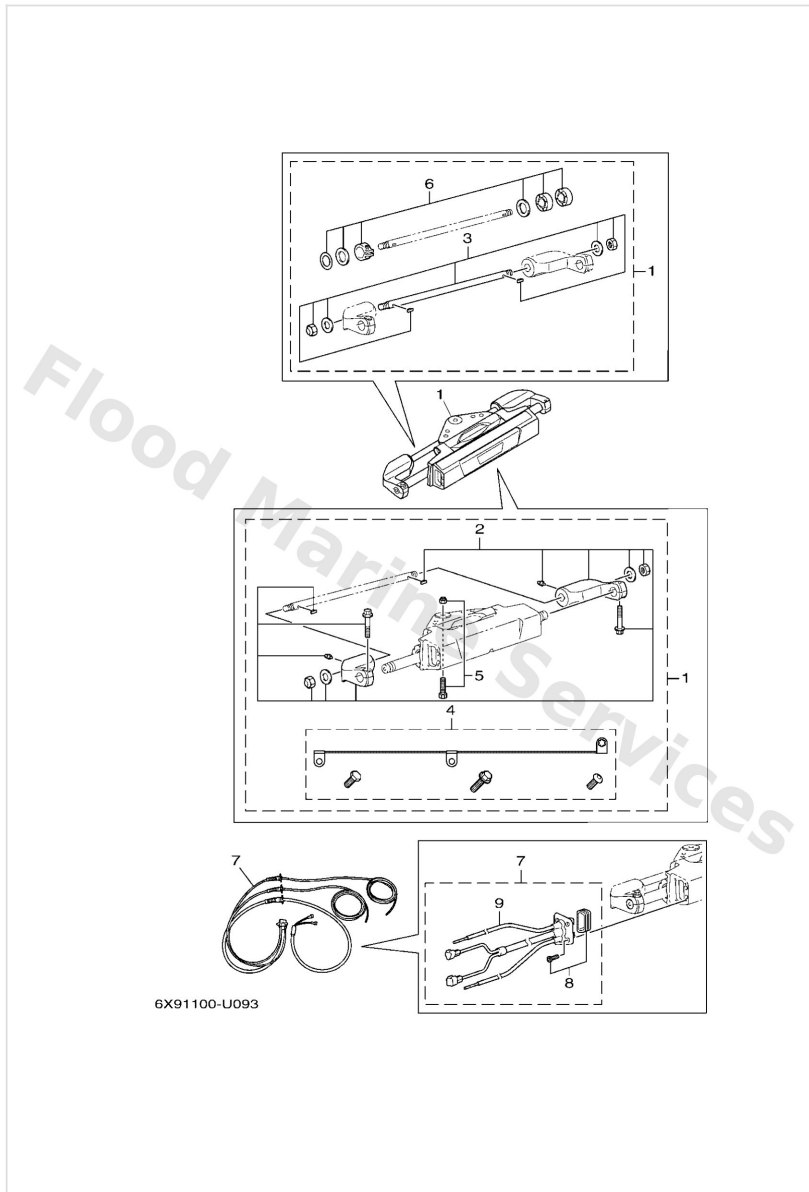
Ref	Part	
1	6YM8355301 Conversion harness	Buy now
2	6YD8356N00 Wire, lead	Buy now
3	6Y88192001 Multi-hub	Buy now
4	6Y88537101 End of line resistor	Buy now
5	6Y98355300 Wire, lead	Buy now
6	6Y88255301 Main bus wire 0.3m-1ft UR	Buy now
6	6Y88255311 Main bus wire 4.6m (15ft) UR	Buy now
6	6Y88255321 Main bus wire 6.1m (20ft) UR	Buy now
6	6Y88255331 Main bus wire 7.6m (25ft) UR	Buy now
6	6Y88255341 Main bus wire 9.1m (30ft) UR	Buy now
6	6Y88255350 Main bus wire 3.0m-10ft UR	Buy now
7	6Y88252101 1ft pigtail bus UR	Buy now
7	6Y88252111 Pigtail bus wire 0.6m-2ft UR	Buy now
7	6Y88252121 Pigtail bus wire 0.9m-3ft UR	Buy now
7	6Y88252131 Pigtail bus wire 1.8m-6ft UR	Buy now

CL5 Display 2



Ref	Part	
7	6Y88252141 9ft pigtail bus UR	Buy now
7	6Y88252151 Pigtail bus wire 3.6m-12ft UR	Buy now
8	6Y88258211 White cap 1 (4pin)	Buy now
9	6Y88258201 Red cap 1 (2pin)	Buy now
10	6Y88192011 Single-hub	Buy now
11	6Y98368800 Sensor assembly	Buy now
12	6YHW8A2D01 Interface Unit Set ANALOGUE GAUGE	Buy now
13	6YH8A2D001 Interface Unit	Buy now
14	6YH8252100 Agi harness	Buy now

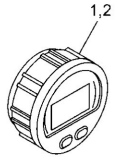
Des



Ref	Part	
1	6X94240111 Bolt-on des kit	Buy now
2	6X94240200 Repair kit, 1	Buy now
3	6X94240300 Repair kit, 2	Buy now
4	6X94240400 Repair kit, 3	Buy now
5	6X94240500 Repair kit, 4	Buy now
6	6X94240600 Repair kit, 5	Buy now
7	6X9438A000 Steering actuator harness 2.4m UR 2.4M-8FT	Buy now
7	6X9438A010 Steering actuator harness 4.5m UR 4.5M-15FT	Buy now
7	6X9438A020 Steer act harness 2.4m u-shape UR 2.4M-8FT	Buy now
7	6X9438A030 Steer act harness 4.5m u-shape UR 4.5M-15FT	Buy now
7	6X9438A040 Str act harn 2.4m no blkhd fit UR 2.4M-8FT NO BULKHEAD	Buy now
8	6X94240700 Repair kit, 6	Buy now
9	6X94240800 - EXCEPT FOR 6X9-438A0-40	Buy now

Digital Network Gauge 1

MULTIFUNCTION METER

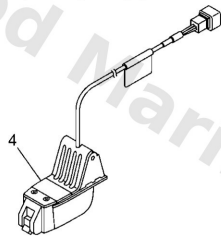


6Y8-83500-24
Requires optional speed sensor,
or NMEA compatible GPS

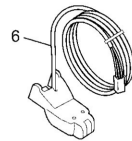
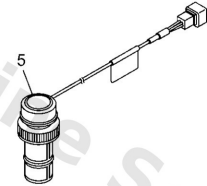


For 6Y8 meters

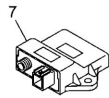
MULTI-SENSOR



Discontinued, available for stock only.
After sold out, 6Y9-83688-00 will be supplied.

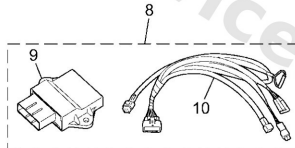


NMEA2000 GATEWAY



Compatible with 6Y8 and 6Y9 protocols

ANALOG GAUGE INTERFACE



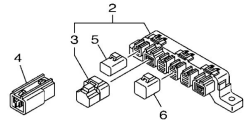
Compatible with 6Y8 and 6Y9 protocols,
Required for each engine.

601M10M-Z120

Ref	Part	
1	6Y88350T24 Tachometer, rd	Buy now
2	6Y88350024 S & Fm Meter, Rd SPEED & FUEL	Buy now
3	6Y88351400 Plate, fitting UN	Buy now
4	6Y88368801 Transom Mount Triducer	Buy now
5	6Y88368811 Plastic Thru-Hull Triducer PLASTIC BODY	Buy now
6	6Y98368800 Sensor assembly	Buy now
7	6YG8A2D015 Gateway GATEWAY	Buy now
8	6YHW8A2D01 Interface Unit Set ANALOGUE GAUGE	Buy now
9	6YH8A2D001 Interface Unit	Buy now
10	6YH8252100 Agi harness	Buy now

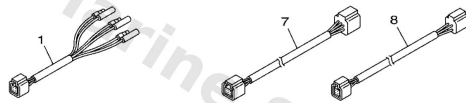
Digital Network Gauge 2

NETWORK HUB



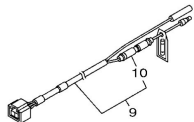
Ref. No.	Description	Part No.	Remarks
2	Multi-hub	6Y8-81920-01	w/ ending resistor cap (P/N: 6Y8-85371-01)
4	Single hub (inline hub)	6Y8-81920-11	Included ending resistor
5	2P sealing cap, RED	6Y8-82582-01	
6	4P sealing cap, WHT	6Y8-82582-11	Same as bus wire cap of engine wire harness

FUEL TANK / GPS WIRE WIRE HARNESS



Twin fuel tanks acceptable

WIRE HARNESS



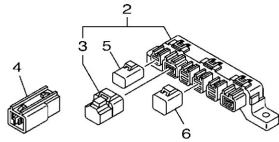
With 10 amp fuse

601M10M-T130

Ref	Part	
1	6Y88356N01 Lead, fuel tank & gps sender	Buy now
2	6Y88192001 Multi-hub UN	Buy now
3	6Y88537101 End of line resistor	Buy now
4	6Y88192011 Single-hub	Buy now
5	6Y88258201 Red cap 1 (2pin) UN	Buy now
6	6Y88258211 White cap 1 (4pin) UN	Buy now
7	6Y88255301 Main bus wire 0.3m-1ft UR	Buy now
7	6Y88255311 Main bus wire 4.6m (15ft) UR	Buy now
7	6Y88255321 Main bus wire 6.1m (20ft) UR	Buy now
7	6Y88255331 Main bus wire 7.6m (25ft) UR	Buy now
7	6Y88255341 Main bus wire 9.1m (30ft) UR	Buy now
7	6Y88255350 Main bus wire 3.0m-10ft UR	Buy now
8	6Y88252101 1ft pigtail bus UR	Buy now
8	6Y88252111 Pigtail bus wire 0.6m-2ft UR	Buy now
8	6Y88252121 Pigtail bus wire 0.9m-3ft UR	Buy now

Digital Network Gauge 2

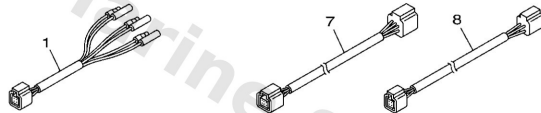
NETWORK HUB



Ref. No.	Description	Part No.	Remarks
2	Multi-hub	6Y8-81920-01	w/ ending resistor cap (P/N: 6Y8-85371-01)
4	Single hub (inline hub)	6Y8-81920-11	Included ending resistor
5	2P sealing cap. RED	6Y8-82582-01	
6	4P sealing cap. WHT	6Y8-82582-11	Same as bus wire cap of engine wire harness

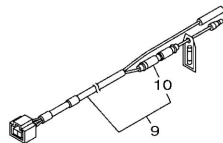
FUEL TANK / GPS WIRE

WIRE HARNESS



Twin fuel tanks acceptable

WIRE HARNESS



With 10 amp fuse

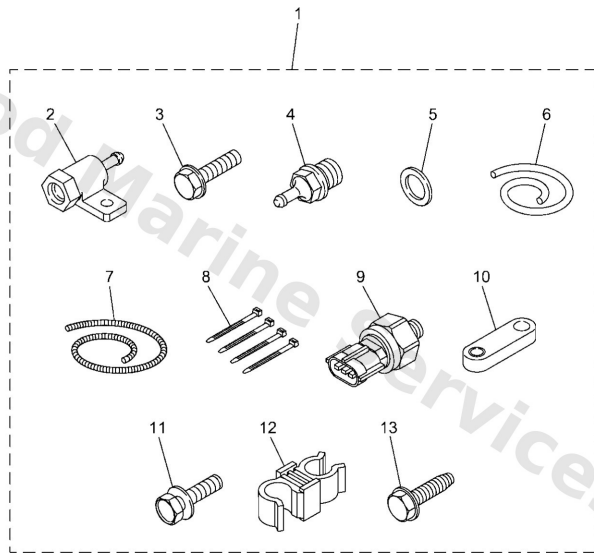
601M10M-T130

Ref	Part	
8	6Y88252131 Pigtail bus wire 1.8m-6ft UR	Buy now
8	6Y88252141 9ft pigtail bus UR	Buy now
8	6Y88252151 Pigtail bus wire 3.6m-12ft UR	Buy now
9	6Y88355302 8ft power wire	Buy now
10	6G18215101 Fuse (10a)	Buy now

Digital Network Gauge 3

COOLANT PRESSURE SENSOR

Kit Part No.	Remarks
60V-8A4L0-1B	F30B, F40F, F40L, F40N, F50L, FT50N, F60H, FT60J, F70B, F75D, F80D, F90C, F100F, F115B, FL115B, F130A, F150D, FL150D, F150F, FL150F



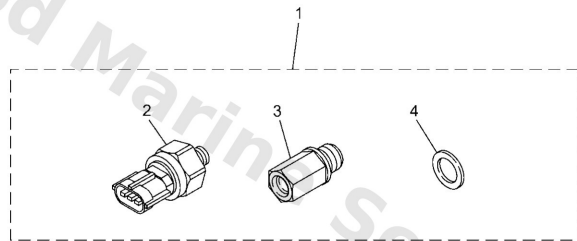
601M10M-Z140

Ref	Part	
1	60V8A4L01B Sensor, module	Buy now
2	60V8366D00 Adaptor, input	Buy now
3	95D9506025 Bolt, flange deep recess	Buy now
4	60V8366700 Sender, water pressure	Buy now
5	9043014115 Gasket (663)	Buy now
6	9044507018 Hose (l1457)	Buy now
7	9044707015 Hose, cover (l: 1300mm)	Buy now
8	9046511M10 Clamp	Buy now
9	6AW8366B10 Sensor, water pressure	Buy now
10	60V8257V00 Plate, connector	Buy now
11	97E9506516 Bolt, hexagon w/w deep recess	Buy now
12	9046409021 Clamp	Buy now
13	9010906M81 Bolt	Buy now

Digital Network Gauge 4

COOLANT PRESSURE SENSOR

Kit Part No.	Remarks
63P-8A4L0-07	F175A, F200B, FL200B, F200C, FL200C, F200F, FL200F, F200G, FL200G, F200J, F200L, F225B, FL225B, F225F, FL225F, F225H, FL225H, F225J, F225L, FL225L, F250D, FL250D, F250L, FL250L, F250N, FL250N, F250P, F250Q, F250R, FL250P, F275B, F300B, FL300B, F300C, FL300C, F300D, FL300D, F300F, FL300F, F300G, FL300G
63P-8A4L0-12	FL200B, FL200C, FL150D, FL150F, FL200F, FL250H, FL300B, FL250D, FL225F, FL300D



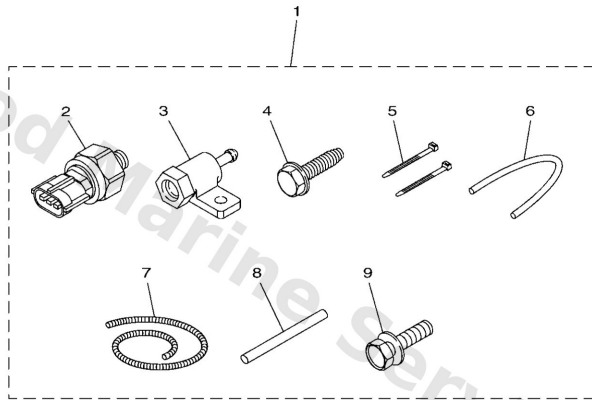
601M10M-Z150

Ref	Part	
1	63P8A4L007 Sensor, module UR	Buy now
1	63P8A4L012 Sensor, Module UR	Buy now
2	6AW8366B10 Sensor, water pressure	Buy now
3	63P8366C00 Adaptor, input	Buy now
4	9043014115 Gasket (663)	Buy now

Digital Network Gauge 5

SPEED SENSOR

Part No.	Remarks
60V-8A4L1-1C	Fuel injected F30-F300 (V6)



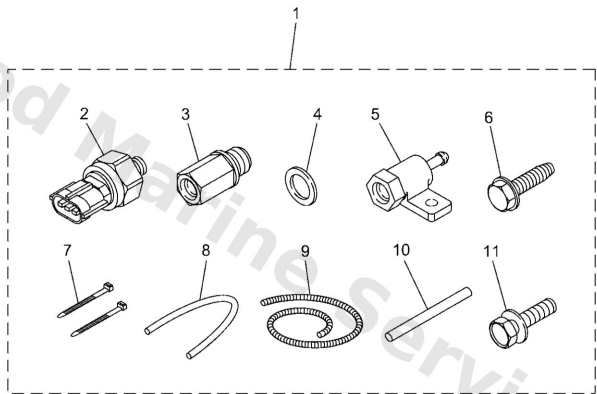
601M10M-W160

Ref	Part	
1	60V8A4L11C Sensor, module 1	Buy now
2	6AW8366B10 Sensor, water pressure	Buy now
3	60V8366D00 Adaptor, input	Buy now
4	9010906M81 Bolt	Buy now
5	9046511M10 Clamp	Buy now
6	9044507017 Hose (I550)	Buy now
7	9044707013 Hose, cover (l: 700mm)	Buy now
8	60V4262901 Seal	Buy now
9	97E9506516 Bolt, hexagon w/w deep recess	Buy now

Digital Network Gauge 6

COOLANT PRESSURE SENSOR

Part No.	Remarks
63P-8A4L2-07	F175A, F200C, FL200C, F200F, FL200F, F200G, FL200G, F200B, FL200B, F225B, FL225B, F225F, FL225F, F225H, FL225H, F225J, FL225J, F250D, FL250D, F250L, FL250L, F250N, FL250N, F250P, FL250P, F300B, FL300B, F300D, FL300D, F300C, FL300C, F300F, FL300F, F300G, FL300G



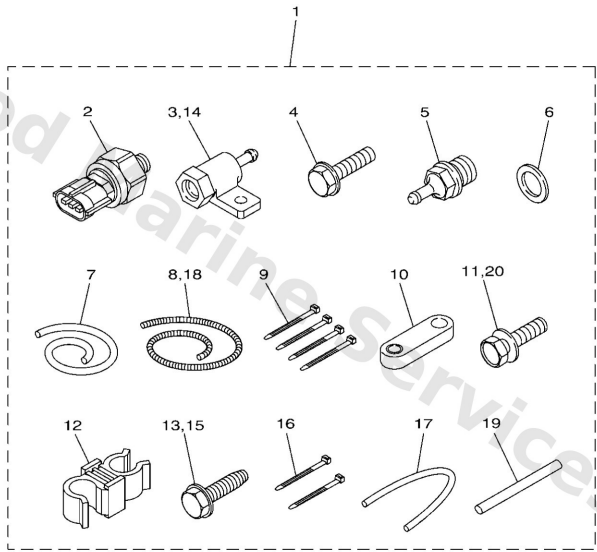
601M10M-Z170

Ref	Part	
1	63P8A4L207 Sensor, Module 2	Buy now
2	6AW8366B10 Sensor, water pressure	Buy now
3	63P8366C00 Adaptor, input	Buy now
4	9043014115 Gasket (663)	Buy now
5	60V8366D00 Adaptor, input	Buy now
6	9010906M81 Bolt	Buy now
7	9046511M10 Clamp	Buy now
8	9044507017 Hose (I550)	Buy now
9	9044707013 Hose, cover (l: 700mm)	Buy now
10	60V4262901 Seal	Buy now
11	97E9506516 Bolt, hexagon w/w deep recess	Buy now

Digital Network Gauge 7

SPEED/COOLANT PRESSURE SENSOR

Part No.	Remarks
60V-8A4L2-08	F115B, FL115B, F130A



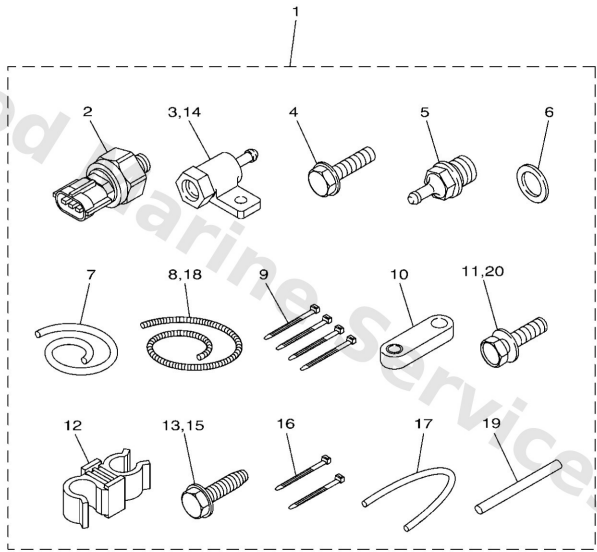
601M10M-W180

Ref	Part	
1	60V8A4L208 Sensor, Module 2	Buy now
2	6AW8366B10 Sensor, water pressure	Buy now
3	60V8366D00 Adaptor, input	Buy now
4	95D9506025 Bolt, flange deep recess	Buy now
5	60V8366700 Sender, water pressure	Buy now
6	9043014115 Gasket (663)	Buy now
7	9044507018 Hose (l: 1300mm)	Buy now
8	9044707015 Hose, cover (l: 1300mm)	Buy now
9	9046511M10 Clamp	Buy now
10	60V8257V00 Plate, connector	Buy now
11	97E9506516 Bolt, hexagon w/w deep recess	Buy now
12	9046409021 Clamp	Buy now
13	9010906M81 Bolt	Buy now
17	9044507017 Hose (l: 550)	Buy now
18	9044707013 Hose, cover (l: 700mm)	Buy now

Digital Network Gauge 7

SPEED/COOLANT PRESSURE SENSOR

Part No.	Remarks
60V-8A4L2-08	F115B, FL115B, F130A



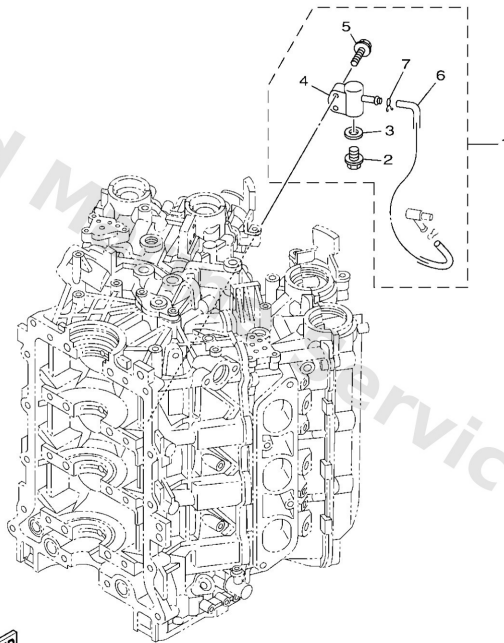
601M10M-W180

Ref	Part	
19	60V4262901 Seal	Buy now

Digital Network Gauge 8

COOLANT PRESSURE SENSOR CONNECTOR

Part No.	Remarks
6P2-83728-01	As a set with COOLANT PRESSURE SENSOR KIT for F200-F250 (V6-3.3L)

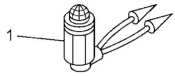



601M10M-T180

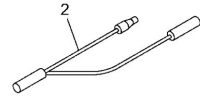
Ref	Part	
1	6P28372801 Connector assembly ASK TO MARINE DIV	Buy now
2	9034014M06 Plug, straight screw(62y)	Buy now
3	9043014115 Gasket (663)	Buy now
4	6P28365200 Connector	Buy now
5	97E9506530 Bolt, hexagon w/w deep recess	Buy now
6	6H42431100 Pipe 1	Buy now
7	9046708M18 Clip	Buy now

Electrical

CHARGE WARNING UNIT

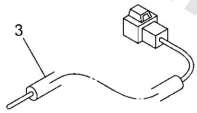


IMMOBILIZER POWER DISTRIBUTION WIRE



For fuel injection four stroke multi-application w/ immobilizer

BATTERY WIRING

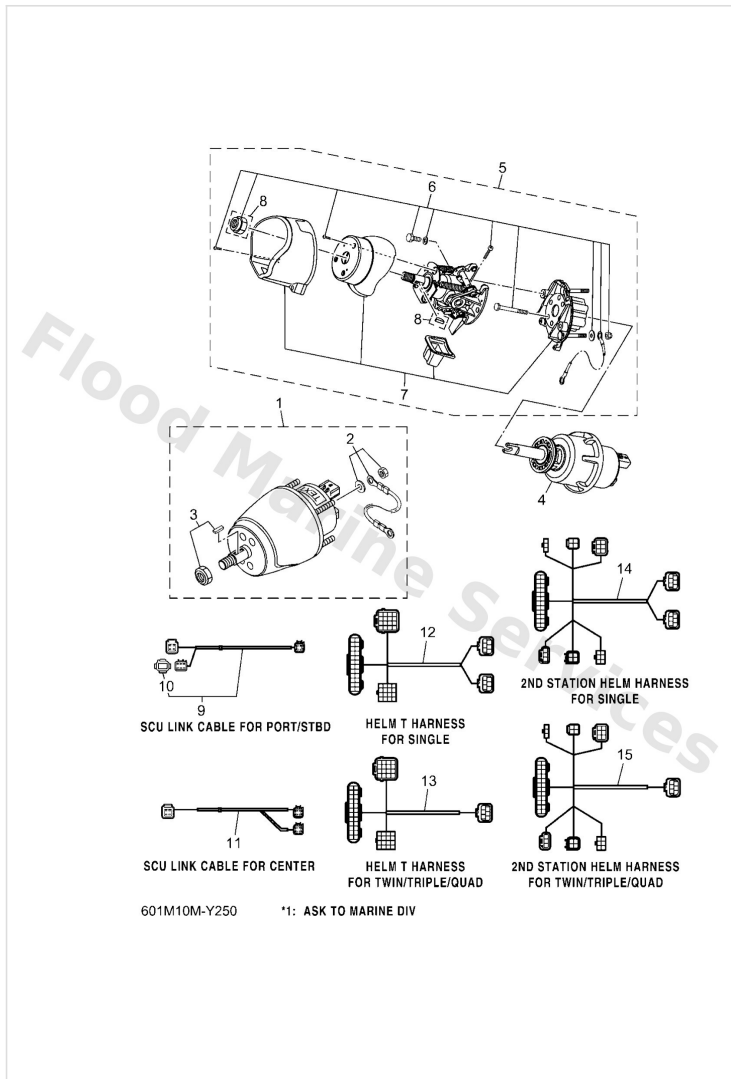


Part No.	Length	Conductor cross-sectional area		Remarks
		AWG	mm ²	
68F-81949-03	2.7 m 9 ft	10	5	4-stroke 150 and larger *Except below offshore engines
69J-81949-03	3.8 m 13 ft	10	5	
6KW-81949-00	3.8 m 13 ft	5	15	4-stroke off-shore 225 to 350 (V6-4.2L)
6GR-81949-01	3.8 m 13 ft	2	30	4-stroke off-shore 400 to 450 (V8-5.6L)

601M10M-Y110

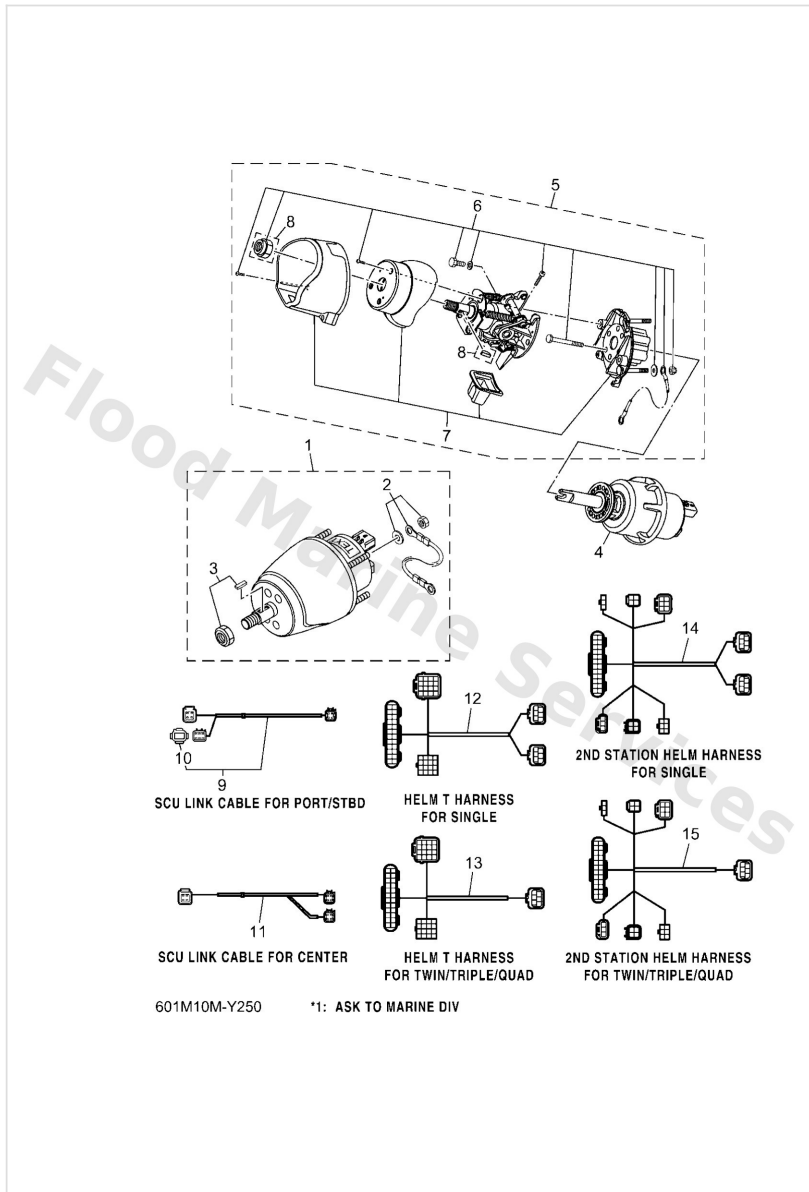
Ref	Part	
1	6638430101 Pilot lamp ass'y 12V	Buy now
2	6H58131500 Wire, lead	Buy now
3	68F8194903 Wire, lead UR	Buy now
3	69J8194903 Wire, lead (isolator, 3.8m) UR	Buy now
3	6GR8194901 Wire, lead UR	Buy now
3	6KW8194900 Wire, lead (isolator cable) UR	Buy now

Helm Unit



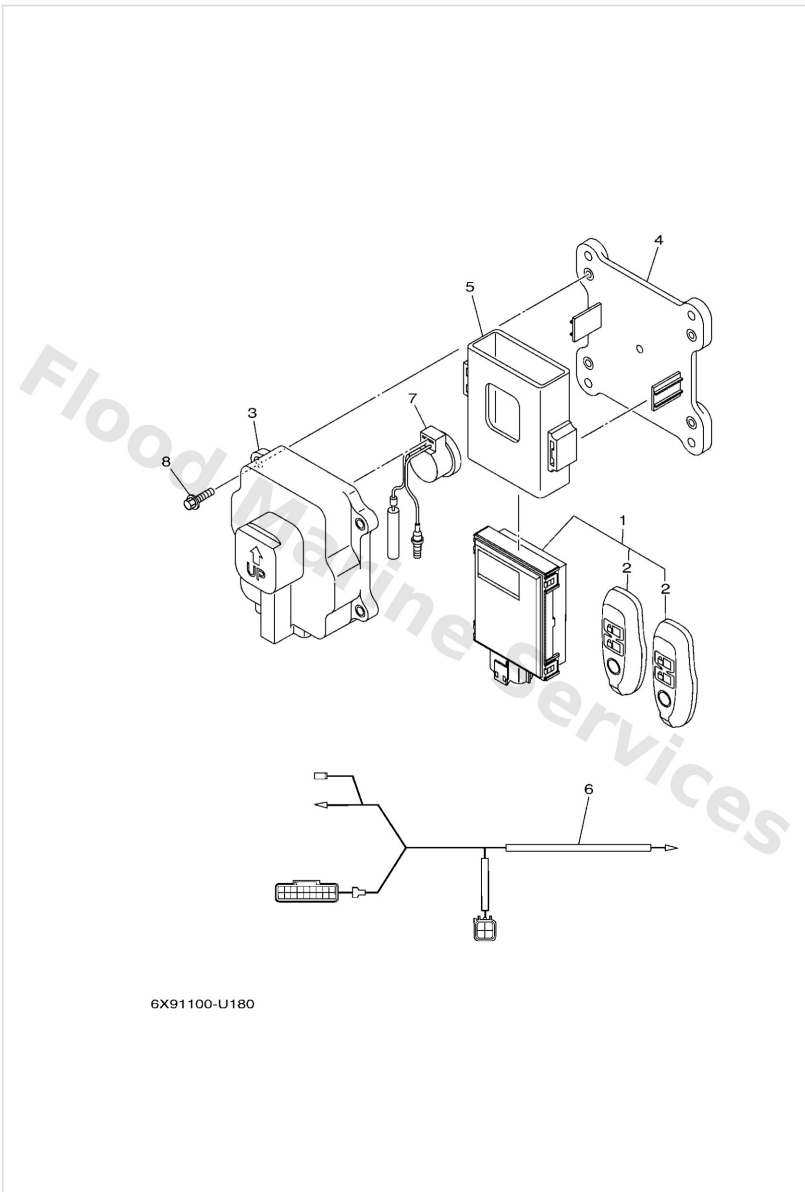
Ref	Part	
1	6X9615A010 Compact helm kit	Buy now
2	6X94240900 -	Buy now
3	6X94240A00 -	Buy now
4	6GR615A010 Helm unit assembly tilt (2) ASK TO MARINE DIV	Buy now
5	6GR6154A01 Tilt Helm Unit (1) ASK TO MARINE DIV	Buy now
6	6GR4240201 -	Buy now
7	6GR4240300 -	Buy now
9	6GR8111500 Scu link harness p/s 5ft UR *1 PORT/STBD ENGINE	Buy now
9	6GR8111510 Scu link harness p/s 10ft UR *1 PORT/STBD ENGINE	Buy now
9	6X98111500 Scu link harness 0.3m-1ft p/s UR *1 PORT/STBD ENGINE	Buy now
10	6Y88537101 End of line resistor	Buy now
11	6GR8111520 Scu link harness center 5ft UR *1 CENTER ENGINE	Buy now
11	6GR8111530 Scu link harness center 10ft UR *1 CENTER ENGINE	Buy now
11	6X98111510 Scu link harness 0.3m-1ft (c) UR *1 CENTER ENGINE	Buy now
12	6GR8258A01 Helm harness (main/single 0.9m) UR *1 SINGLE ENGINE (MAIN ST)	Buy now

Helm Unit



Ref	Part	
12	6GR8258A41 Helm harness (main/single)1.8m UR *1 SINGLE ENGINE (MAIN ST)	Buy now
13	6GR8258A11 Helm harness multi engines 0.9	Buy now
13	6GR8258A51 Helm harness multi engines 1.8	Buy now
14	6GR8258A21 Helm harness 0.9m-3ft *1 SINGLE ENGINE	Buy now
15	6GR8258A31 Helm harness 0.9m-3ft *1 MULTIPLE ENGINE	Buy now

Immobilizer Kit

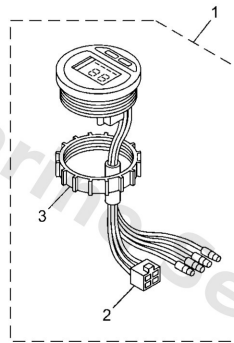


Ref	Part	
1	6X98626003 Remote control unit assembly UR RADIO FREQUENCY 433MHZ	Buy now
1	6X98626014 Remote control unit assembly UR RADIO FREQUENCY 315MHZ	Buy now
2	6X98626101 Xmtr. comp. FOR 6X9-86260-03	Buy now
2	6X98626112 Xmtr. Comp. FOR 6X9-86260-14	Buy now
3	6X98626700 Case complete 1	Buy now
4	6X98194800 Bracket	Buy now
5	6X98554601 Band	Buy now
6	6X98250910 Wire, sub lead	Buy now
7	7038338311 Buzzer	Buy now
8	9588006016 Bolt, flange(jl8)	Buy now

Meter 1

DIGITAL TACHOMETER

Ref. No.	Description	Part No.	Applicable model
1	Multifunction w/o "Check engine" and "Water in fuel" indicators	6Y5-8350T-E3	Above 40 (3-cyl) w/ oil injection Above F30 [Mechanical RC]



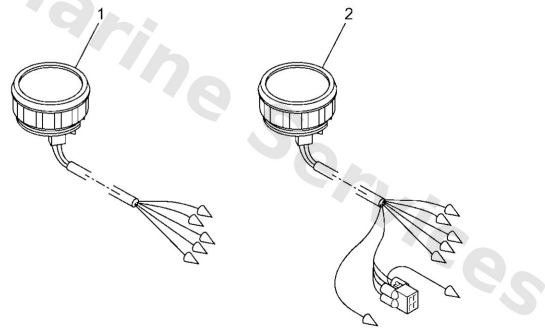
601M10M-Z010

Ref	Part	
1	6Y58350TE3 Tachometer assembly	Buy now
2	9E45004533 Housing, f-4-w(5pcs) F-4-W	Buy now
3	6Y88438300 Nut, ring	Buy now

Meter 2

ANALOG TACHOMETER

Ref. No.	Description	Part No.	Applicable model
1	Without indicators BLK panel	6Y7-W835A-22	Above 9.9 (Pre-mixed) FT8 (T8), F9 9 -F25 (F/T125)
2	With overheat & oil indicators BLK panel	6Y7-83540-82	Above 40 (3-cyl) w/ oil injection Above F30 [Mechanical RC]
	With overheat & oil indicators WHT panel	6Y7-W835A-52 6Y7-83540-92	



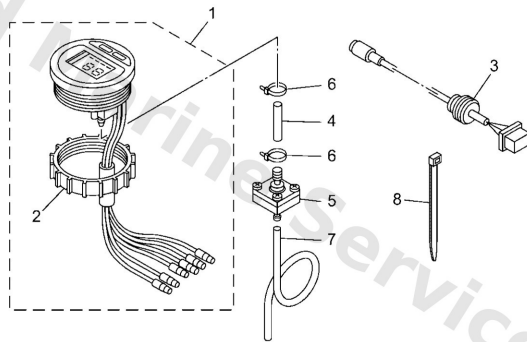
601M10M-Y020

Ref	Part	
1	6Y7W835A22 Tachometer assembly WITHOUT OIL LAMP	Buy now
2	6Y78354082 Tachometer assembly UR WITH OIL/TEMP LAMP	Buy now
2	6Y78354092 Tachometer assembly UR WITH OIL/TEMP LAMP	Buy now
2	6Y7W835A52 Tachometer assembly UR WITH OIL/TEMP LAMP	Buy now

Meter 3

DIGITAL SPEEDOMETER

Ref. No.	Description	Part No.	Applicable model
1	Digital multifunction	6Y5-83570-A3	Above 40 (3-cyl) Above F30 (Mechanical RC)



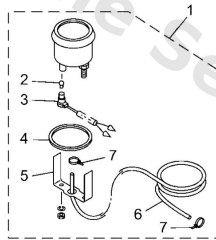
601M10M-Z030

Ref	Part	
1	6Y583570A3 Speedometer assembly	Buy now
2	6Y88438300 Nut, ring	Buy now
3	6Y587122S0 Cord assembly 1	Buy now
4	6Y58355731 Tube	Buy now
5	6Y58372800 Connector assembly	Buy now
6	9046511M10 Clamp	Buy now
7	6Y58355710 Tube (8m)	Buy now

Meter 4

ANALOG SPEEDOMETER

Description	Part No.	Applicable model
Analog, BLK panel 0 – 75 mph (20 – 120 km/h)	6Y7-W835B-01	Above 40 (3-cyl) Above F30 [Mechanical RC]
Analog, WHT panel 0 – 75 mph (20 – 120 km/h)	6Y7-W835B-11	
Analog, BLK panel 0 – 50 mph (20 – 80 km/h)	6Y7-W835B-21	
Analog, WHT panel 0 – 50 mph (20 – 80 km/h)	6Y7-83510-31	
Analog, BLK panel 0 – 120 km/h (15 – 65 knot)	6Y7-W835B-41	
Analog, WHT panel 0 – 120 km/h (15 – 65 knot)	6Y7-83510-50	
Analog, BLK panel 0 – 80 km/h (10 – 43 knot)	6Y7-W835B-61	
Analog, WHT panel 0 – 80 km/h (10 – 43 knot)	6Y7-83510-70	



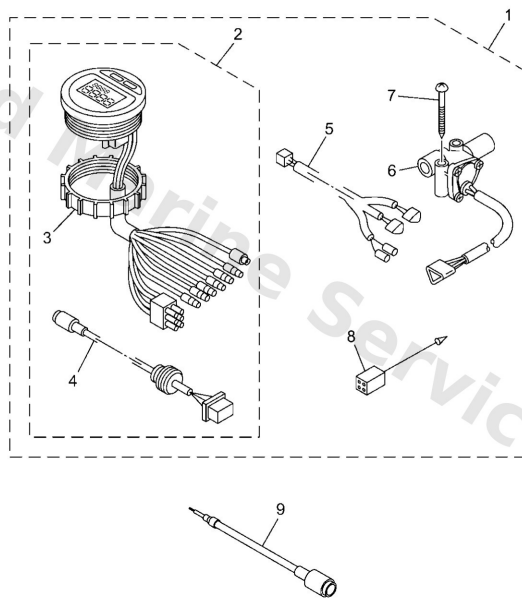
601M10M-Y040

Ref	Part	
1	6Y78351031 Speedometer assembly (50Mph) UR	Buy now
1	6Y78351050 Speedometer assembly (120Km/H) UR	Buy now
1	6Y78351070 Speedometer assembly (White) UR	Buy now
1	6Y7W835B01 Speedometer assembly (75Mph) UR	Buy now
1	6Y7W835B11 Speedometer assembly (75Mph) UR	Buy now
1	6Y7W835B21 Speedometer assembly (50Mph) UR	Buy now
1	6Y7W835B41 Speedometer assembly (120km/h) (bl) UR	Buy now
1	6Y7W835B61 Speedometer assembly (80km/h) (bla) UR	Buy now
2	6Y58351700 Bulb (12v-1.7w)	Buy now
3	6Y58353640 Socket, meter	Buy now
4	6Y58352300 Damper	Buy now
5	6Y58351400 Plate, fitting	Buy now
6	6888355700 Tube (8m)	Buy now
7	9046511M10 Clamp	Buy now

Meter 5

FUEL MANAGEMENT GAUGE

Ref. No.	Description	Part No.	Applicable model
1	Fuel mgt gauge kit For single-engine	6Y5-W0088-57	Above 115 HP engines



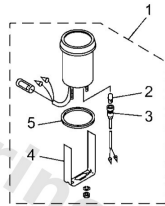
601M10M-Y050

Ref	Part	
1	6Y5W008857 Digital Fuel Meter Kit(Single)	Buy now
2	6Y58350FB4 Fuel Meter Movement assembly	Buy now
3	6Y88438300 Nut, ring	Buy now
4	6Y587122S1 Cord assembly 1	Buy now
5	6Y583553F2 Wire, Lead (L=8.0M)	Buy now
6	6Y58575202 Sender unit assembly, fuel meter	Buy now
7	9015806003 Screw, wood	Buy now
8	6Y58211700 Wire, lead	Buy now
9	6Y585721F0 Wire, lead AP	Buy now

Meter 6

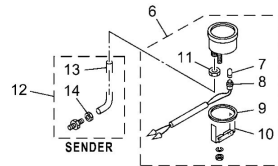
ANALOG TRIM METER

Description	Part No.	Applicable model
4-pin coupler BLK panel	6Y7-W8367-02	Pre-mixed w/ PTT
Bullet connector BLK panel	6Y7-83670-41	Above 40 (3-cyl) w/ oil injection & PTT, Above F30 w/ PTT (Mechanical RC), T25 (NOA) Use as a set with tachometer, 6Y7-83540-82
4-pin coupler WHT panel	6Y7-W8367-22	Pre-mixed w/ PTT
Bullet connector WHT panel	6Y7-83670-51	Above 40 (3-cyl) w/ oil injection & PTT, Above F30 w/ PTT (Mechanical RC), T25 (NOA) Using as a set with tachometer, 6Y7-83540-92



COOLANT PRESSURE METER

Description	Part No.	Applicable model
kPa, Black panel	6Y7-W8366-01	
psi, Black panel	6Y7-W8366-11	Above 40 [3-cyl]
psi, White panel	6Y7-W8366-31	Above F25 (F1/T25) (Mechanical RC)



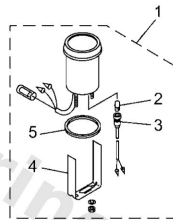
601M10M-Y060

Ref	Part	
1	6Y78367041 Trim Meter assembly. UR	Buy now
1	6Y78367051 Trim Meter assembly. UR	Buy now
1	6Y7W836702 Trim meter assembly. UR	Buy now
1	6Y7W836722 Trim Meter assembly. UR	Buy now
2	6Y58351800 Bulb (12v-1.7w) t6.5	Buy now
3	6Y58353600 Socket, meter	Buy now
4	6Y58354400 Plate, fitting	Buy now
5	6888366400 Damper	Buy now
6	6Y7W836601 Water pressure meter assembly UR	Buy now
6	6Y7W836611 Water Pressure Meter assembly UR	Buy now
6	6Y7W836631 Water Pressure Meter assembly UR	Buy now
10	6888366500 Plate, fitting	Buy now
11	6638366800 Nut, nipple	Buy now
12	6888366701 Sender	Buy now
13	6888366600 Tube	Buy now

Meter 6

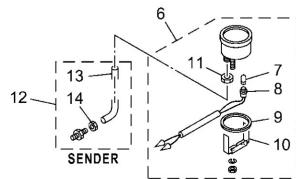
ANALOG TRIM METER

Description	Part No.	Applicable model
4-pin coupler BLK panel	6Y7-W8367-02	Pre-mixed w/ PTT
Bullet connector BLK panel	6Y7-83670-41	Above 40 (3-cyl) w/ oil injection & PTT, Above F30 w/ PTT [Mechanical RC], T25 (NOA) Use as a set with tachometer, 6Y7-83540-82
4-pin coupler WHT panel	6Y7-W8367-22	Pre-mixed w/ PTT
Bullet connector WHT panel	6Y7-83670-51	Above 40 (3-cyl) w/ oil injection & PTT, Above F30 w/ PTT [Mechanical RC], T25 (NOA) Using as a set with tachometer, 6Y7-83540-92



COOLANT PRESSURE METER

Description	Part No.	Applicable model
kPa, Black panel	6Y7-W8366-01	Above 40 [3-cyl]
psi, Black panel	6Y7-W8366-11	Above F25 (F1/T25) [Mechanical RC]
psi, White panel	6Y7-W8366-31	



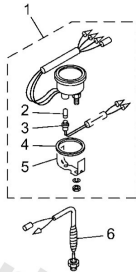
601M10M-Y060

Ref	Part	
14	6638366810 Nut, nipple	Buy now

Meter 7

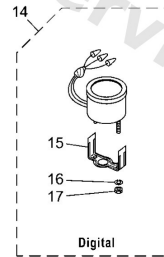
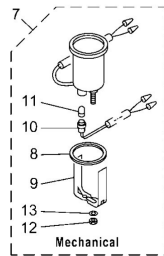
COOLANT TEMP. METER

Description	Part No.	Applicable model
Black panel	6Y7-W8359-02	Above 40 (3-cylinder)
White panel	6Y7-W8359-12	Above F25 (F1/T25) [Mechanical RC]



HOUR METER

Ref. No.	Description	Part No.	Applicable model
7	Mechanical	6Y5-83504-02	
14	Digital, Black panel	6Y7-W835D-02	All electrical start models
	Digital, White panel	6Y7-W835D-12	



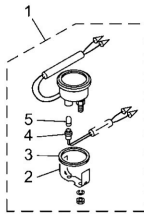
601M10M-Z070

Ref	Part	
1	6Y7W835902 Water Temperature assembly UR	Buy now
1	6Y7W835912 Water Temperature assembly UR	Buy now
2	6Y58351800 Bulb (12v-1.7w) t6.5	Buy now
3	6Y58353600 Socket, meter	Buy now
4	6888366400 Damper	Buy now
5	6Y58354400 Plate, fitting	Buy now
6	6888359100 Thermo unit	Buy now
7	6Y58350402 Hour Meter assembly	Buy now
9	6Y58357700 Plate, fitting	Buy now
12	9530304600 Nut, hexagon (663)	Buy now
13	9299004100 Ybs67-4 washer, spring	Buy now
14	6Y7W835D02 Hour Meter assembly UR	Buy now
14	6Y7W835D12 Hour Meter assembly UR	Buy now
15	6Y58355XH0 Bracket, meter 1	Buy now
17	9538004600 Nut,hex	Buy now

Meter 8

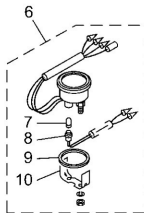
VOLTAGE METER

Description	Part No.	Applicable model
DC 12 volt power supply Black panel	6Y7-W835C-01	All electrical start models
DC 12 volt power supply White panel	6Y7-W835C-11	



FUEL METER

Description	Part No.	Applicable model
For Yamaha sensor (5 – 105Ω) Black panel	6Y7-W8575-02	All electrical start models
For ABYC sensor (30 – 240Ω) Black panel	6Y7-W8575-12	
For Yamaha sensor (5 – 105Ω) White panel	6Y7-W8575-22	
For ABYC sensor (30 – 240Ω) White panel	6Y7-W8575-32	

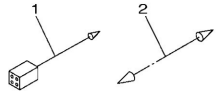


601M10M-Y080

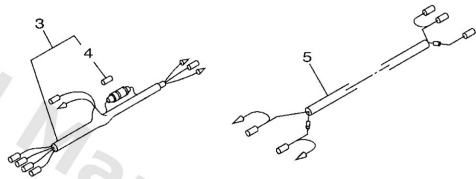
Ref	Part	
1	6Y7W835C01 Voltmeter assembly UR	Buy now
1	6Y7W835C11 Voltmeter assembly UR	Buy now
2	6Y58354400 Plate, fitting	Buy now
3	6888366400 Damper	Buy now
4	6Y58353600 Socket, meter	Buy now
5	6Y58351800 Bulb (12v-1.7w) t6.5	Buy now
6	6Y7W857502 Fuel Meter assembly UR	Buy now
6	6Y7W857512 Fuel meter assembly UR	Buy now
6	6Y7W857522 Fuel Meter assembly UR	Buy now
6	6Y7W857532 Fuel Meter assembly UR	Buy now

Wire Harness 1

ACCESSORY LEAD

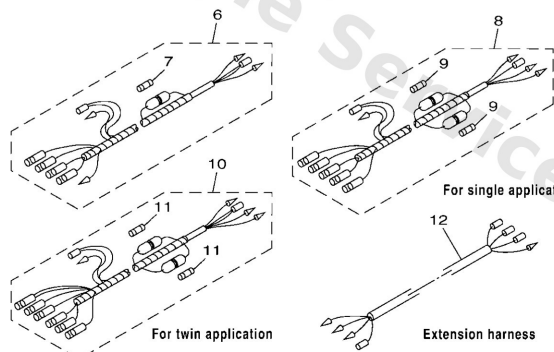


METER HARNESS (For analog meter)



For pre-mixed model

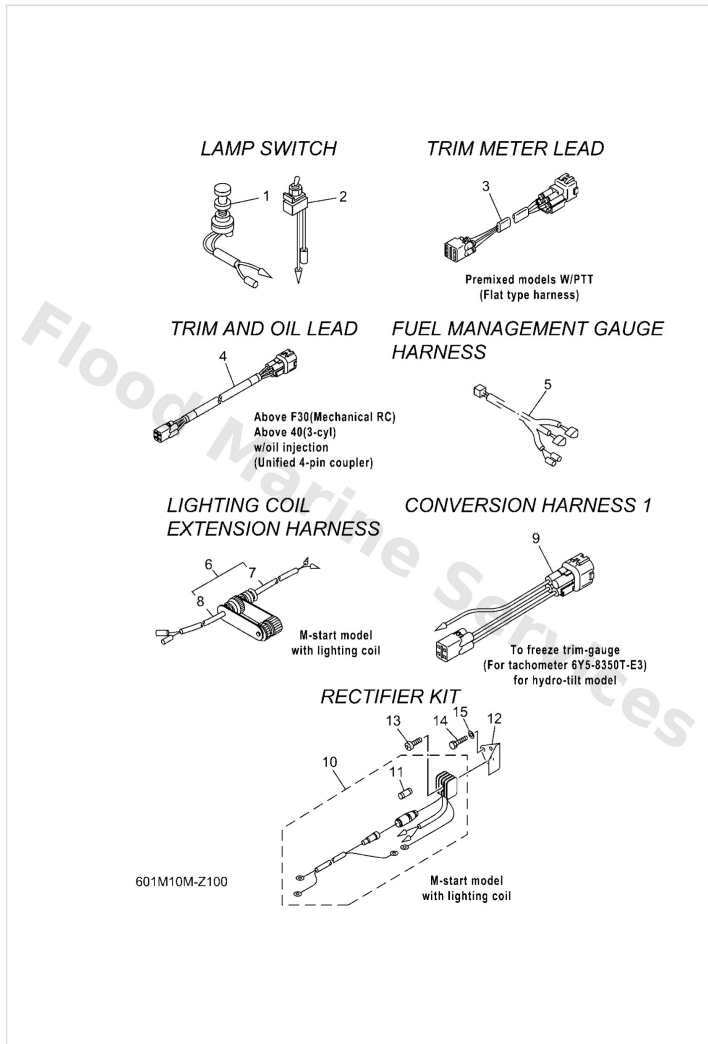
METER HARNESS (For digital meter)



601M10M-Q090

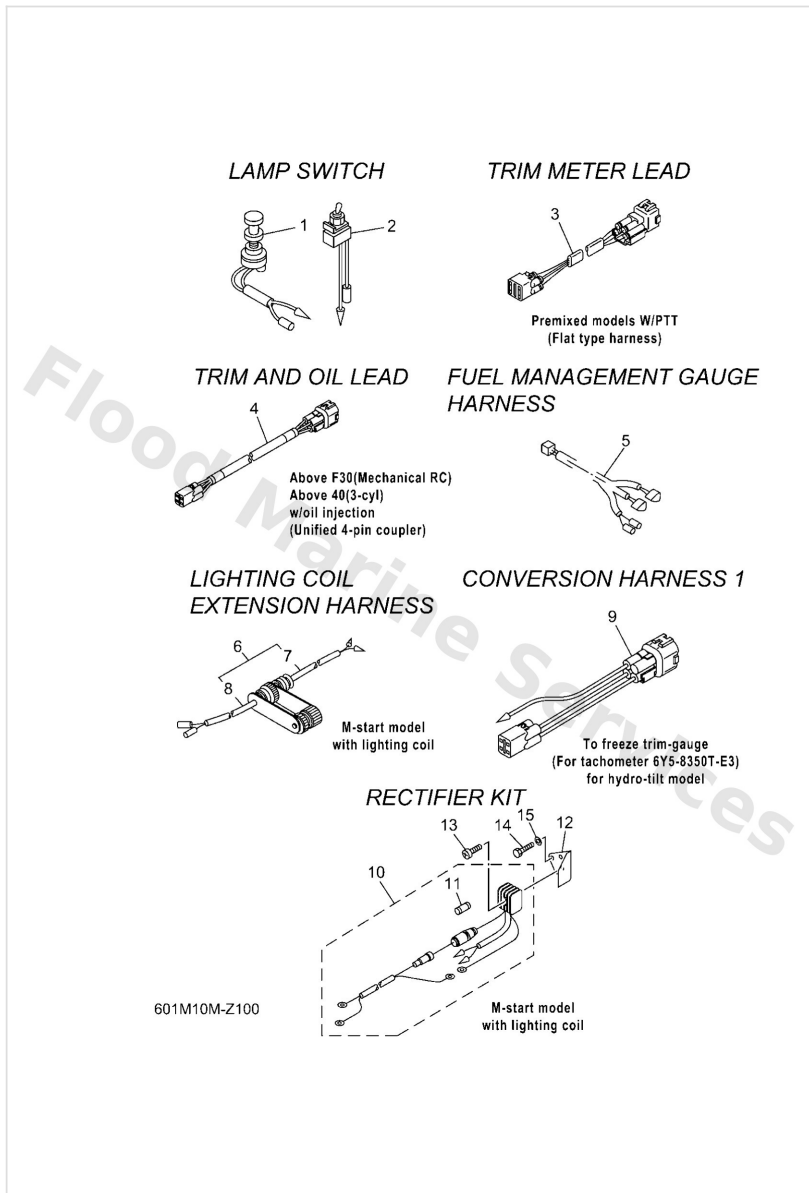
Ref	Part	
1	6Y58211700 Wire, lead UR	Buy now
1	6Y58214900 Wire, lead 3 UR	Buy now
2	7038253100 Wire, lead L/H MODEL	Buy now
3	6Y58355301 Wire, lead (l=2.5m)	Buy now
4	6G18215101 Fuse (10a)	Buy now
5	6Y58355310 Wire, lead	Buy now
6	6Y58355321 Wire, lead (l=2.5m) L/H MODEL	Buy now
8	6Y583553M1 Wire, lead (l=2.5m)	Buy now
10	6Y583553N1 Wire, lead (l=2.5m)	Buy now
12	6Y58356N00 Wire, lead	Buy now

Wire Harness 2



Ref	Part	
1	6888252000 Lamp switch assembly	Buy now
2	6888252600 Switch, lamp	Buy now
3	6R38255330 Wire, lead UR (4P)	Buy now
3	6R38255350 Wire, lead UR (4P)	Buy now
3	6R38255370 Extension, wire lead (for trim UR (4P)	Buy now
3	6R38255380 Wire, lead UR (4P)	Buy now
3	6R38255390 Extension, wire lead (for trim UR (4P)	Buy now
4	6Y58365300 Wire, lead UR 4P,5M	Buy now
4	6Y58365310 Wire, lead UR 4P,6M	Buy now
4	6Y58365320 Wire, lead UR 4P,7M	Buy now
4	6Y58365330 Wire, lead UR 4P,8M	Buy now
4	6Y58365340 Wire, lead UR 4P,9M	Buy now
4	6Y58365350 Trim oil harness UR 4P,10.5M	Buy now
5	6Y583553F2 Wire, Lead (L=8.0M)	Buy now
6	6828438000 2p concent assembly	Buy now

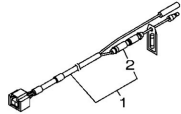
Wire Harness 2



Ref	Part	
7	6828438100 2p concent 1	Buy now
8	6828438200 2p concent 2	Buy now
9	6Y58350U10 Wire, Lead	Buy now
10	6768197002 Rectifier assembly	Buy now
11	6638215101 Fuse	Buy now
12	* item_description LM	Buy now
13	9788005025 Screw, panhead (a93)	Buy now
14	9701306010 Bolt(63v)	Buy now
15	9290306600 Washer, plain (646)	Buy now

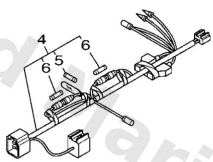
Wire Harness 3

SYSTEM POWER SUPPLY WIRE



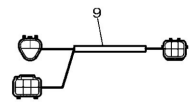
Shared with 6Y8 network system

IMMOBILIZER POWER DISTRIBUTION WIRE 2

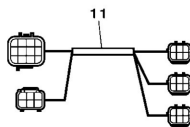


For start/stop button SW panel

CONVERSION HARNESS



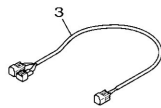
Used to connect between 2nd helm new DEC and 2nd helm previous start/stop SW. (Single engine application)



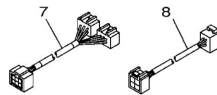
Used to connect between 2nd helm new DEC and 2nd helm previous start/stop SW. (Triple engine application)

601M10M-V240

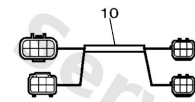
SYSTEM POWER DISTRIBUTION WIRE



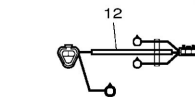
CONVERSION HARNESS



For 6Y9 network system



Used to connect between 2nd station helm new DEC and 2nd helm previous start/stop SW. (Twin engine application)



Used to connect between main helm new DEC and 2nd helm previous DEC.

Ref	Part	
1	6Y88355302 8ft power wire	Buy now
2	6G18215101 Fuse (10a)	Buy now
3	6Y98355320 Wire, lead	Buy now
4	6Y88131504 Lead wire assembly	Buy now
5	6TA8215101 Fuse	Buy now
6	6Y88215100 Fuse(5a)	Buy now
7	6Y98355310 Main bus y-split harness	Buy now
8	6Y98355360 Wire, lead	Buy now
9	6X68258AM0 Extension, wire harness	Buy now
10	6X68258AN0 Extension, wire harness	Buy now
11	6X68258AP0 Extension, wire harness	Buy now
12	6X68258AK0 Extension, wire harness	Buy now

Disclaimer

This document is provided for convenience only. It is **not** an official Yamaha publication and is **not supplied, endorsed, or approved** by Yamaha Motor Co., Ltd.

Reasonable efforts are made to keep information accurate; however diagrams, part references, supersessions, descriptions, and applicability may contain errors or omissions. Specifications and part availability may change without notice.

You are responsible for confirming the correct parts for your engine (including model code, year, serial range, and any superseded part numbers) before ordering or fitting.